

0CD10-M72901EN

# PREFACE

1. This parts catalog is the first edition of 3TNE82A-YBC,3TNE82A-YBD,3TNE82A-EYBC, 3TNE82A-EYBD, 3TNE82A-EYBE, SHINKO ENGINEERING CO., LTD.

Pub. No.: 000Y00D7291

Published: Jun.,2001

## 2. Model name

Engine model	Equipped Operating Machine		Manufacturer
	Products	Model name	
3TNE82A-YBC	EXCAVATOR	Z 71, Z 73 SK30SR/UR	SHINKO ENGINEERING CO., LTD.
3TNE82A-YBD		Z 72, SK35SR	
3TNE82A-EYBC		Z 71, Z 73	
3TNE82A-EYBD		Z 72	
3TNE82A-EYBE		Z 72	

## Directions for the Parts Catalog.

1. This Parts Catalog shows both standard and optional parts.
2. Parts may change without prior notice.
3. The following is an example of the Parts Catalog format.

REF.	LEV.	PARTS NO.	DESCRIPTION	Q'TY						I	R
				(A)	(B)	(C)	(D)	(E)	(F)		
1	1	729595-51390	FUEL INJECTION PUMP	1	1	1	1	1			1
1-1	1	729595-51391	FUEL INJECTION PUMP	1	1	1	1	1		N	1
		(A=E00185) (B=E00200)									
3	2	26022-060162	SCREW M 6X 16	9	9	9	9	9			
3-1	2	26022-060162	SCREW M 6X 16	4	4	4	4	4		K	
		(A=E00156) (B=E00156) (C=E00156) (D=E00156) (E=E00156)									
4	2	129470-51040	CAMSHAFT	1	1	1	1	1			
5	2	122710-51050	BEARING, ROLLER	2	2	2	2	2			
6	2	129470-51060	RETAINER	1	1	1	1	1			

Remarks
(1) BOOST COMPEMSATOR TYPE. OPTIONAL PART, TO E00155,(4JH-DT, 4JH-DTZ

### ① Ref. No.

The Ref. No. listed may not be in accordance with the illustration Ref. No.

(Ex.) Illustration No.

List Ref No.

1

1

(Before change)

1-1

(After change)

For interchangeable symbols N, R and K, illustrations for new parts may be abbreviated.

### ② Lev. (Level)

Level indication

The numbers below indicate the level of relativity towards the main part.

1 ----- Main parts (Assembly parts)

2 ----- Sub component included in " 1 ".

3 ----- Sub component included in " 2 ".

Note) Parts that are not for sale are partially illustrated but not listed.

### ③ Interchangeability Symbol

When a part change takes place, one of the following interchangeability symbols is indicated beside the part.

Symbol	Interchangeability	Contents note
N	Old $\begin{matrix} \leftarrow \text{Yes} \\ \text{No} \rightarrow \end{matrix}$ New	New Part is interchangeable for Old Part but Old Part is not interchangeable for New Part.
Q	Old $\begin{matrix} \leftarrow \text{No} \\ \text{Yes} \rightarrow \end{matrix}$ New	New Part is not interchangeable for Old Part but Old Part is interchangeable for New Part.
R	Old $\begin{matrix} \leftarrow \text{Yes} \\ \text{Yes} \rightarrow \end{matrix}$ New	New/ Old Parts are both interchangeable.
S	Old $\begin{matrix} \leftarrow \text{No} \\ \text{No} \rightarrow \end{matrix}$ New	New/ Old Parts are both not interchangeable.
W		Part newly added.
Z		Part discontinued.
F		Not interchangeable by a single part but interchangeable together with related parts.
K		Changes only for used parts quantities.

### ④ Effective Machine No.

When a part changes, the effective Machine No. will be indicated in the (A)-(F) column.

Product Symbol	Product No.	Product Symbol	Product No.
C	Clutch No. Compressor No.	F	Machine No. (Agricultural Equip.)
D	Drive No.	M	Machine No.
E	Engine No.		

Note 1) A date may follow the symbol. (Ex.) 1996.01

Note 2) "XXXXX" and "ZZZZZ" are for parts that could not be predicted or for engine models that could not be identified.

Note 3) (A=E00185) is the E (Engine Serial Number) for the column (A) model (in this case 4JH-DT) after the parts design change.

### ⑤ Remarks

Figures or alphabets (symbols) are entered in the remarks column.

The comments (remarks) on parts that are indicated at the bottom of the illustration are the same symbols as those stated above.

# Contents

Fig. No.    Fig. Name

3TNE82A-(E)YBC,D,E

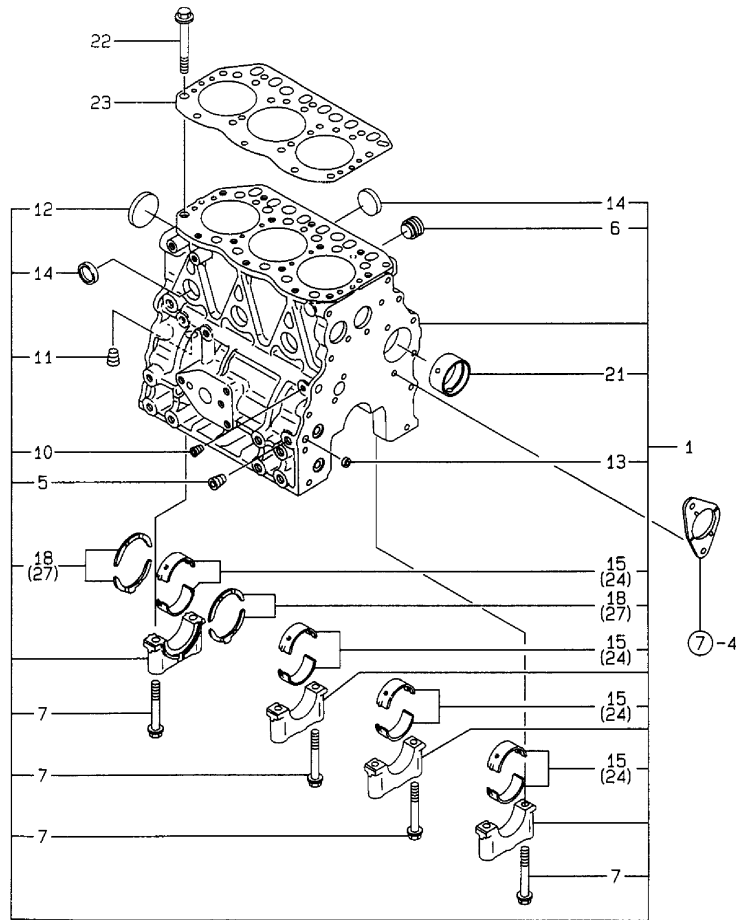
1. CYLINDER BLOCK
2. GEAR HOUSING
3. FLYWHEEL HOUSING & OIL SUMP
4. CYLINDER HEAD & BONNET
5. SUCTION MANIFOLD
6. EXHAUST MANIFOLD
7. CAMSHAFT & DRIVING GEAR
8. CRANKSHAFT & PISTON
9. LUB.OIL SYSTEM
10. COOLING WATER SYSTEM
11. FUEL INJECTION PUMP
12. GOVERNOR
13. FUEL INJECTION VALVE
14. FUEL LINE
15. STARTING MOTOR
16. GENERATOR
17. GASKET SET

Fig. No.    Fig. Name

Fig.1. CYLINDER BLOCK

Y0007291  
3TNE82A- (E) YBC, D, E

1 シリンダブロック  
1 CYLINDER BLOCK



(A)=3TNE82A-YBC  
(B)=3TNE82A-YBD  
(C)=3TNE82A-EYBC

(D)=3TNE82A-EYBD  
(E)=3TNE82A-EYBE  
(F)=

No.	Lev.	Parts No.	Description	Qty						I	R
				(A)	(B)	(C)	(D)	(E)	(F)		
1	1	719813-01560	BLOCK ASSY, CYLINDER	1	1	1	1	1			
5	2	124160-01910	PLUG, PT1/4	2	2	2	2	2			
6	2	171051-01921	PLUG, NPTF1	1	1	1	1	1			
7	2	119620-02020	BOLT, METAL CAP	8	8	8	8	8			
10	2	23876-010000	PLUG, R01	1	1	1	1	1			
11	2	124160-01910	PLUG, PT1/4	1	1	1	1	1			
12	2	129001-01250	PLUG, 50	1	1	1	1	1			
13	2	27241-120000	PLUG, 12	2	2	2	2	2			
14	2	27241-300000	PLUG 30	6	6	6	6	6			
15	2	719810-02800	BEARING, MAIN	4	4	4	4	4			
18	2	719810-02930	BEARING, THRUST	2	2	2	2	2			
21	2	129795-02411	BUSH, CAMSHAFT	1	1	1	1	1			
22	1	119810-01200	BOLT, HEAD	14	14	14	14	14			
23	1	119812-01330	GASKET, HEAD	1	1	1	1	1			
24	1	119810-02870	BEARING, 0.25 US	4	4	4	4	4		1	
27	1	119810-02940	BEARING, THRUST 0.25	2	2	2	2	2		2	

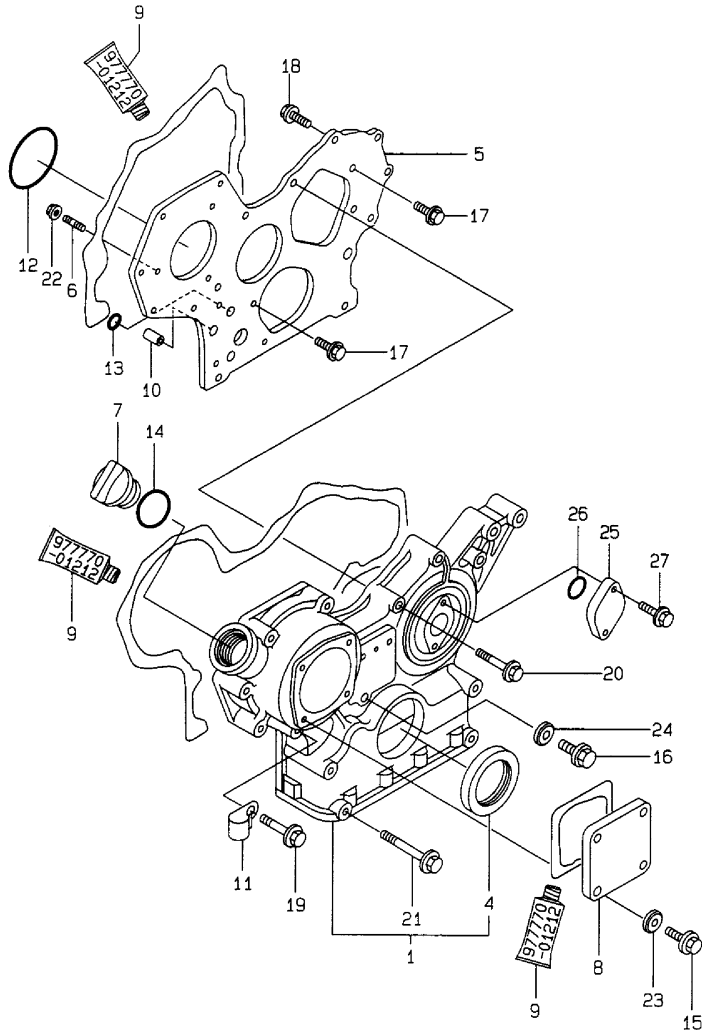
Remarks

- (1) UNDER-SIZE(U.S=0.25)PART.
- (2) OVER-SIZE(O.S=0.25)PART.

Fig.2. GEAR HOUSING

Y00D7291  
3TNE82A- (E) YBC, D, E

2 ギヤケース  
GEAR HOUSING



(A)=3TNE82A-YBC  
(B)=3TNE82A-YBD  
(C)=3TNE82A-EYBC

(D)=3TNE82A-EYBD  
(E)=3TNE82A-EYBE  
(F)=

No.	Lev.	Parts No.	Description	Q'ty						I	R
				(A)	(B)	(C)	(D)	(E)	(F)		
1	1	719810-01500	CASE ASSY, GEAR	1	1	1	1	1			
4	2	129795-01800	SEAL, OIL	1	1	1	1	1			
5	1	129400-01520	FLANGE, GEAR CASE	1	1	1	1	1			
6	1	121450-01560	STUD, M8X22	3	3	3	3	3			
7	1	124160-01751	COVER, FILLER	1	1	1	1	1			
8	1	124240-01871	COVER	1	1	1	1	1			
9	1	977770-01212	GASKET, LIQUID	1	1	1	1	1		1	
10	1	129795-01950	PIPE, KNOCK L=18	2	2	2	2	2			
11	1	129150-03100	RETAINER, PIPE	1	1	1	1	1			
12	1	121850-51960	O-RING	1	1	1	1	1			
13	1	24311-000160	O-RING, 1AP16.0	2	2	2	2	2			
14	1	24311-000320	O-RING, 1AP32.0	1	1	1	1	1			
15	1	26106-080122	BOLT, M8X 12 PLATED	4	4	4	4	4			
16	1	26106-080162	BOLT, M8X 16 PLATED	1	1	1	1	1			
17	1	26106-080162	BOLT, M8X 16 PLATED	3	3	3	3	3			
18	1	26106-080202	BOLT, M8X 20 PLATED	2	2	2	2	2			
19	1	26106-080452	BOLT, M8X 45 PLATED	6	6	6	6	6			
20	1	26106-080552	BOLT, M8X 55 PLATED	3	3	3	3	3			
21	1	129001-91841	BOLT, M8X85	4	4	4	4	4			
22	1	26366-080002	NUT, M8	3	3	3	3	3			
22-1	1	26306-080002	NUT, M8	3	3	3	3	3		N	
		(A=E)XXX	(B=E)XXX	(C=E)XXX	(D=E)XXX	(E=E)XXX					
23	1	22190-080002	WASHER, SEAL 6	4	4	4	4	4			
24	1	22190-080002	WASHER, SEAL 6	1	1	1	1	1			
25	1	121023-01550	COVER	1	1	1	1	1			
26	1	24341-000240	O-RING, 1AS24.0	1	1	1	1	1			
27	1	26106-060162	BOLT, M6X 16 PLATED	2	2	2	2	2			

Remarks  
(1) OPTIONAL PART.

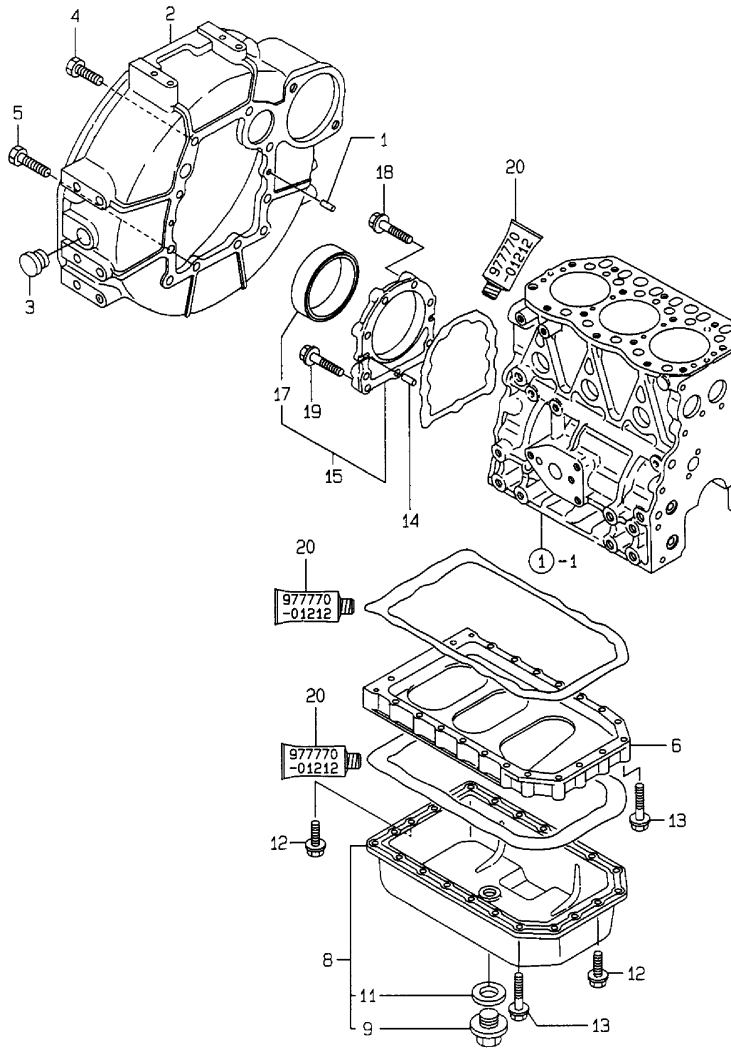
Fig.3. FLYWHEEL HOUSING & OIL SUMP

(A)=3TNE82A-YBC  
 (B)=3TNE82A-YBD  
 (C)=3TNE82A-EYBC

(D)=3TNE82A-EYBD  
 (E)=3TNE82A-EYBE  
 (F)=

Y00D7291  
 3TNE82A- (E) YBC, D, E

3 フライホイールハウジング & オイルパン  
 FLYWHEEL HOUSING & OIL SUMP



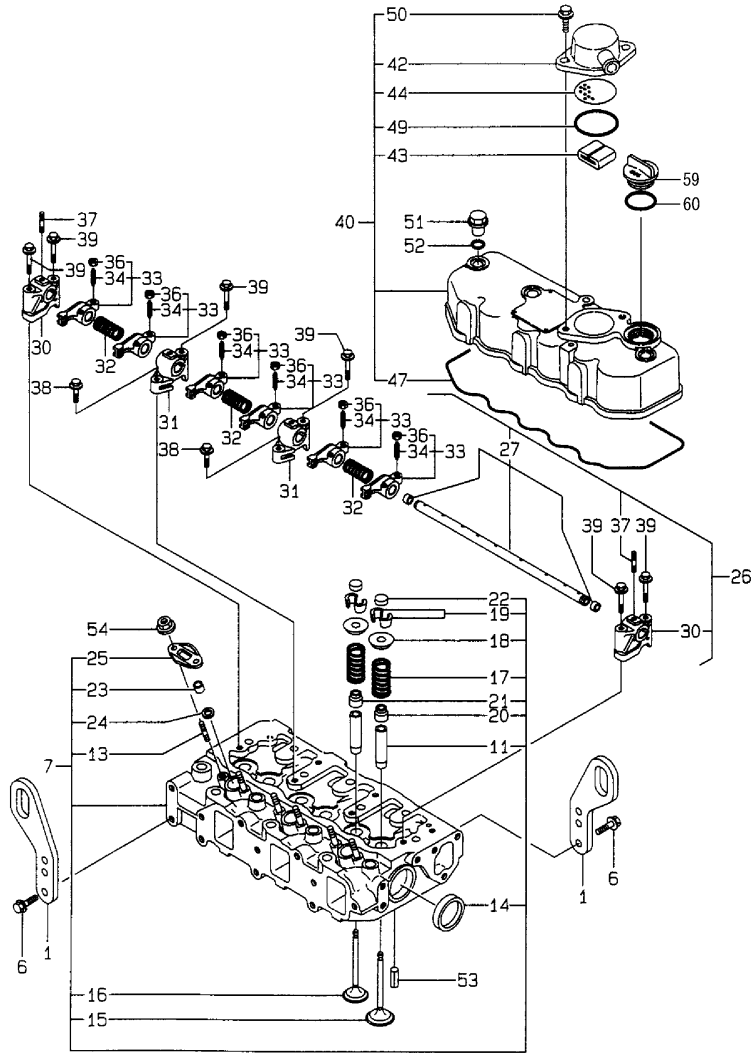
No.	Lev.	Parts No.	Description	Q'ty						I	R
				(A)	(B)	(C)	(D)	(E)	(F)		
1	1	129100-01580	PIN, M8X16	2	2	2	2	2			
2	1	129612-01600	HOUSING, FLYWHEEL	1	1	1	1	1			
3	1	119620-01750	CAP	1	1	1	1	1			
4	1	26206-100252	BOLT, M10X 25 PLATED	6	6	6	6	6			
5	1	26206-100302	BOLT, M10X 30 PLATED	4	4	4	4	4			
6	1	119810-01730	SPACER, OIL SUMP	1	1	1	1	1			
8	1	119810-01790	SUMP ASSY, OIL	1	1	1	1	1			
9	2	119640-01640	PLUG, DRAIN M22	1	1	1	1	1			
11	2	22190-220002	WASHER, SEAL 22	1	1	1	1	1			
12	1	26106-080162	BOLT, M8X 16 PLATED	6	6	6	6	6			
13	1	26106-080452	BOLT, M8X 45 PLATED	22	22	22	22	22			
14	1	129100-01580	PIN, M8X16	2	2	2	2	2			
15	1	719810-01650	CASE ASSY, OIL SEAL	1	1	1	1	1			
17	2	119810-01780	SEAL, 769310	1	1	1	1	1			
18	1	129486-01670	BOLT, M8X30	6	6	6	6	6			
19	1	26106-080352	BOLT, M8X 35 PLATED	3	3	3	3	3			
20	1	977770-01212	GASKET, LIQUID	1	1	1	1	1		1	

Remarks  
 (1) OPTIONAL PART.

Fig.4. CYLINDER HEAD & BONNET

Y00D725:  
3TNE82A- (E) YBC, D, E

4 シリンダヘッド & ボンネット  
CYLINDER HEAD & BONNET



(A)=3TNE82A-YBC  
(B)=3TNE82A-YBD  
(C)=3TNE82A-EYBC

(D)=3TNE82A-EYBD  
(E)=3TNE82A-EYBE  
(F)=

No.	Lev.	Parts No.	Description	Qty						I	R
				(A)	(B)	(C)	(D)	(E)	(F)		
1	1	129486-07901	LIFTER	2	2	2	2	2			
6	1	26106-080142	BOLT, M8X 14 PLATED	4	4	4	4	4			
7	1	119812-11700	HEAD ASSY, CYLINDER	1	1	1	1	1			
11	2	124060-11800	GUIDE, VALVE	6	6	6	6	6		1	
13	2	26216-060302	STUD, M6X 30	6	6	6	6	6			
14	2	27241-400000	PLUG, 40	2	2	2	2	2			
15	2	119810-11100	VALVE, INTAKE	3	3	3	3	3			
16	2	119810-11110	VALVE, EXHAUST	3	3	3	3	3			
17	2	119810-11120	SPRING, VALVE	6	6	6	6	6			
18	2	104211-11180	RETAINER, SPRING	6	6	6	6	6			
19	2	27310-070001	COTTER, 7	6	6	6	6	6			
20	2	124160-11340	SEAL, VALVE STEM	3	3	3	3	3			
21	2	124950-11340	SEAL, VALVE STEM	3	3	3	3	3			
22	2	104211-11370	CAP, VALVE	6	6	6	6	6			
23	2	119625-11870	PROTECTOR, NOZZLE	3	3	3	3	3			
24	2	119625-11880	SEAT, NOZZLE	3	3	3	3	3			
25	2	119625-11900	RETAINER, NOZZLE	3	3	3	3	3			
26	1	119865-11210	SUPPORT ASSY	1	1	1	1	1			
27	2	119810-11240	SHAFT ASSY, ROCKER	1	1	1	1	1			
30	2	129155-11260	SUPPORT, ROCKER ARM	2	2	2	2	2			
31	2	129155-11270	SUPPORT, ROCKER ARM	2	2	2	2	2			
32	2	129150-11280	SPRING	3	3	3	3	3			
33	2	719810-11660	ARM ASSY, ROCKER	6	6	6	6	6			
34	3	129150-11230	SCREW, VALVE ADJUST	6	6	6	6	6			
36	3	129150-11750	NUT, M8	6	6	6	6	6			
37	2	26226-080182	STUD, M8X 18	3	3	3	3	3			
38	1	26106-080252	BOLT, M8X 25 PLATED	2	2	2	2	2			
39	1	26106-080502	BOLT, M8X 50 PLATED	6	6	6	6	6			
40	1	719810-11521	BONNET ASSY, HEAD	1	1	1	1	1			
42	2	129150-03020	COVER, BREATHER	1	1	1	1	1			
43	2	129150-03070	BAFFLE, BREATHER	1	1	1	1	1			
44	2	129150-03080	PLATE, BAFFLE	1	1	1	1	1			
47	2	119865-11310	GASKET, BONNET	1	1	1	1	1			
49	2	24341-000500	O-RING, 1AS50.0	1	1	1	1	1			
50	2	26106-080162	BOLT, M8X 16 PLATED	2	2	2	2	2			
51	1	124160-11360	KNOB	3	3	3	3	3			
52	1	24311-000120	O-RING, 1AP12.0	3	3	3	3	3			
53	1	22351-060012	PIN, SPRING 6.0X12	2	2	2	2	2			
54	1	26366-060002	NUT, M6	6	6	6	6	6			
59	1	124160-01751	COVER, FILLER	1	1	1	1	1			
60	1	24311-000320	O-RING, 1AP32.0	1	1	1	1	1			

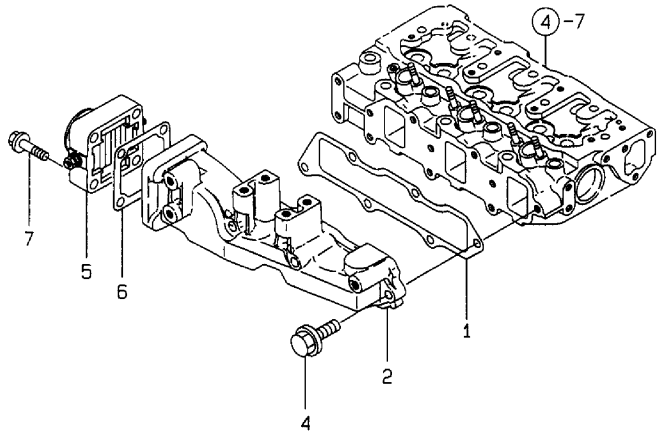
Remarks  
(1) REPAIR PART.



# Fig.5. SUCTION MANIFOLD

Y00D7291  
3TNE82A- (E) YBC, D, E

5 キュウキマニホールド  
SUCTION MANIFOLD



(A)=3TNE82A-YBC  
(B)=3TNE82A-YBD  
(C)=3TNE82A-EYBC

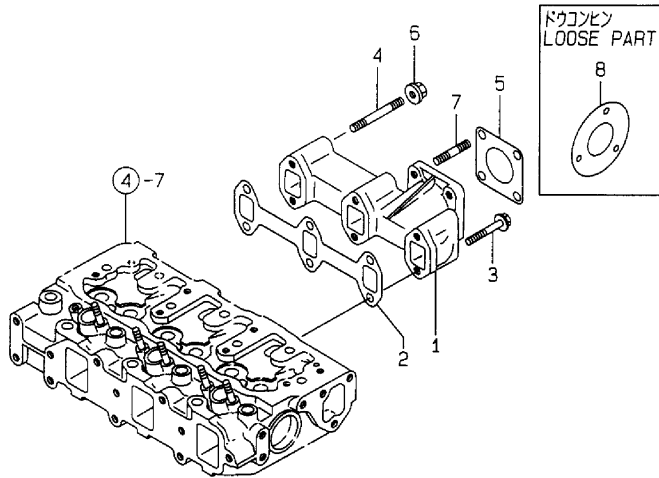
(D)=3TNE82A-EYBD  
(E)=3TNE82A-EYBE  
(F)=

No.	Lev.	Parts No.	Description	Q'ty						I	R
				(A)	(B)	(C)	(D)	(E)	(F)		
1	1	119813-12110	GASKET, MANIFOLD	1	1	1	1	1			
2	1	119813-12100	MANIFOLD, AIR INTAKE	1	1	1	1	1			
4	1	26106-080252	BOLT, M8X 25 PLATED	6	6	6	6	6			
5	1	129120-77501	HEATER	1	1	1	1	1			
6	1	129150-77511	GASKET	1	1	1	1	1			
7	1	26106-080352	BOLT, M8X 35 PLATED	4	4	4	4	4			

# Fig.6. EXHAUST MANIFOLD

Y00D7291  
3TNE82A- (E) YBC, D, E

6 ハイキマニホールド  
EXHAUST MANIFOLD



(A)=3TNE82A-YBC  
(B)=3TNE82A-YBD  
(C)=3TNE82A-EYBC

(D)=3TNE82A-EYBD  
(E)=3TNE82A-EYBE  
(F)=

No.	Lev.	Parts No.	Description	Q'ty						I	R
				(A)	(B)	(C)	(D)	(E)	(F)		
1	1	119810-13100	MANIFOLD, EXHAUST	1	1	1	1	1			
2	1	119810-13110	GASKET	1	1	1	1	1			
3	1	26106-080602	BOLT, M8X 60 PLATED	4	4	4	4	4			
4	1	26216-080602	STUD, M8X 60	2	2	2	2	2			
5	1	124701-11911	GASKET, SILENCER	1	1	1	1	1			
6	1	26366-080002	NUT, M8	2	2	2	2	2			
6-1	1	26306-080002	NUT, M8	2	2	2	2	2		N	
7	1	119131-18320	STUD, M8X22	4	4	4	4	4			
8	1	103954-13201	GASKET, SILENCER	1	1	1	1	1			

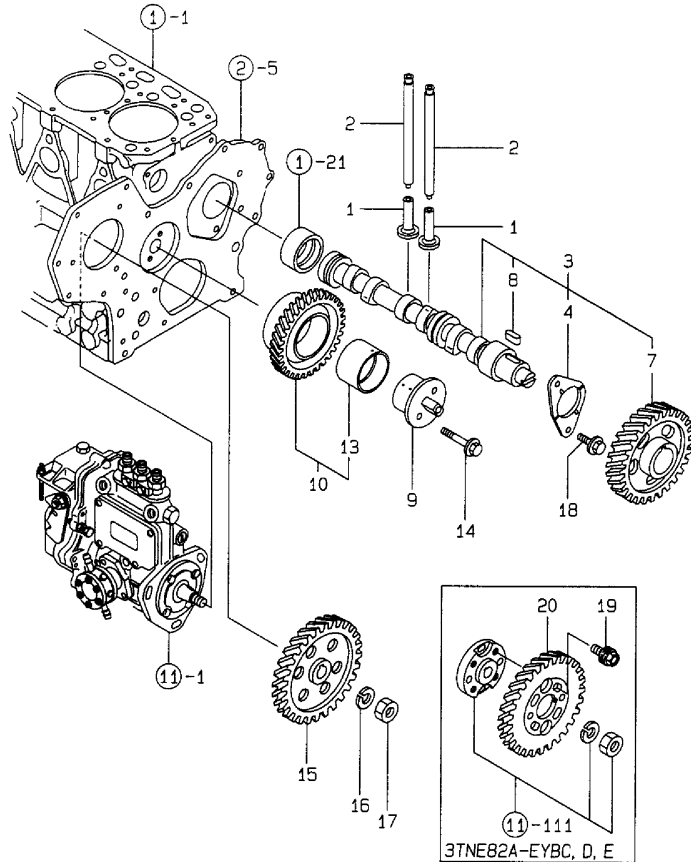
# Fig.7. CAMSHAFT & DRIVING GEAR

(A)=3TNE82A-YBC  
 (B)=3TNE82A-YBD  
 (C)=3TNE82A-EYBC

(D)=3TNE82A-EYBD  
 (E)=3TNE82A-EYBE  
 (F)=

Y00D7291  
 3TNE82A- (E) YBC, D, E

カムシャフト & クドウギヤ  
 CAMSHAFT & DRIVING GEAR



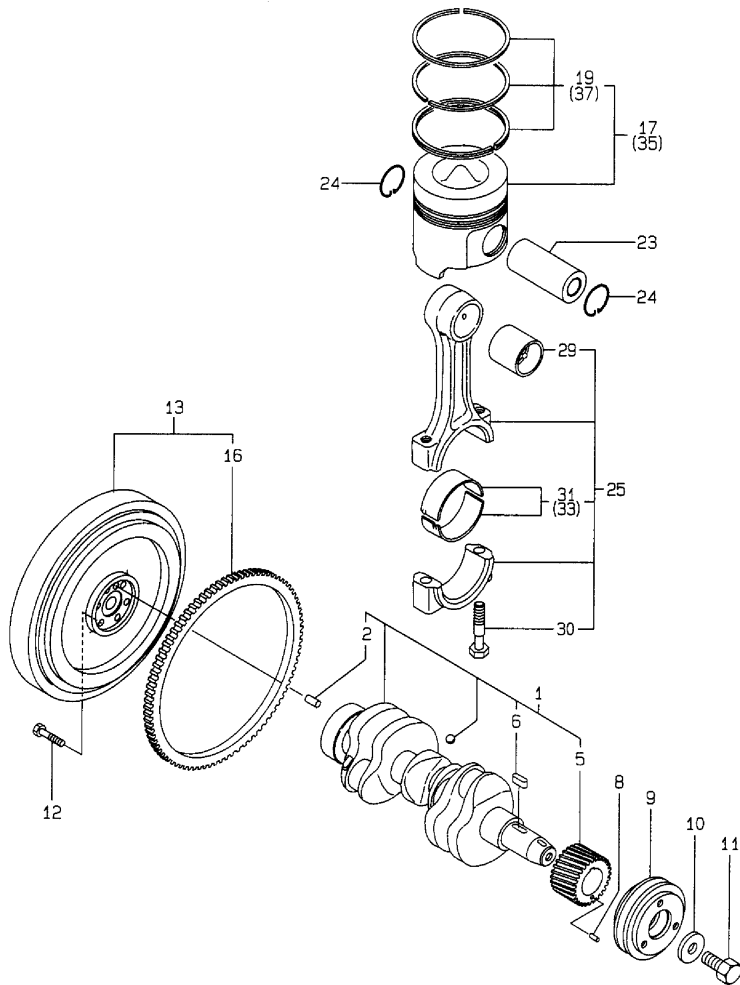
No.	Lev.	Parts No.	Description	Q'ty						I	R
				(A)	(B)	(C)	(D)	(E)	(F)		
1	1	129150-14200	TAPPET	6	6	6	6	6			
2	1	119810-14400	ROD, PUSH	6	6	6	6	6			
3	1	119810-14580	CAMSHAFT ASSY	1	1	1	1	1			
4	2	129150-02450	BEARING, THRUST	1	1	1	1	1			
7	2	129150-14101	GEAR, CAMSHAFT	1	1	1	1	1			
8	2	22512-070140	KEY, 7X 14	1	1	1	1	1			
9	1	129100-25061	SHAFT, IDLE	1	1	1	1	1			
10	1	129150-25101	GEAR ASSY, IDLE	1	1	1	1	1			
13	2	129150-25920	BUSH, IDLE GEAR	1	1	1	1	1		1	
14	1	26106-080452	BOLT, M8X 45 PLATED	2	2	2	2	2			
15	1	129150-25900	GEAR, PUMP	1	1						
16	1	22217-120000	WASHER, SPRING 12	1	1						
17	1	26716-120002	NUT, M12	1	1						
18	1	26106-080142	BOLT, M8X 14 PLATED	2	2	2	2	2			
19	1	129150-25301	BOLT			4	4	4			
20	1	129150-25931	GEAR, PUMP			1	1	1			

Remarks  
 (1) REPAIR PART.

# Fig.8. CRANKSHAFT & PISTON

Y00D7251  
3TNE82A- (E) YBC, D, E

クランクシャフト & ピストン  
CRANKSHAFT & PISTON



(A)=3TNE82A-YBC  
(B)=3TNE82A-YBD  
(C)=3TNE82A-EYBC

(D)=3TNE82A-EYBD  
(E)=3TNE82A-EYBE  
(F)=

No.	Lev.	Parts No.	Description	Q'ty						I	R
				(A)	(B)	(C)	(D)	(E)	(F)		
1	1	119813-21000	CRANKSHAFT ASSY	1	1	1	1	1			
2	2	129100-01580	PIN, M8X16	1	1	1	1	1			
5	2	129150-21200	GEAR, CRANKSHAFT	1	1	1	1	1			
6	2	22512-070140	KEY, 7X 14	1	1	1	1	1			
8	1	22351-040010	PIN, SPRING 4.0X10	1	1	1	1	1			
9	1	171301-21650	V-PULLEY	1	1	1	1	1			
10	1	129795-21661	WASHER	1	1	1	1	1			
11	1	121850-21680	BOLT	1	1	1	1	1			
12	1	121111-21501	BOLT, FLYWHEEL	6	6	6	6	6			
13	1	171325-21590	FLYWHEEL ASSY	1	1	1	1	1			
16	2	119865-21600	GEAR, RING	1	1	1	1	1			
17	1	119813-22080	PISTON ASSY	3	3	3	3	3			
19	2	119813-22500	RING SET, PISTON	3	3	3	3	3			
23	1	119813-22300	PIN, PISTON	3	3	3	3	3			
24	1	129792-22400	CIRCLIP, 23	6	6	6	6	6			
25	1	719810-23100	ROD ASSY, CONNECTING	3	3	3	3	3			
29	2	119810-23910	BEARING, PISTON PIN	3	3	3	3	3		1	
30	2	119810-23200	BOLT, CONNECTING ROD	6	6	6	6	6			
31	2	119810-23600	BEARING, CRANK PIN	3	3	3	3	3			
33	1	119810-23610	BEARING, 0.25 US	3	3	3	3	3		2	
35	1	119813-22900	PISTON ASSY, 0.25 OS	3	3	3	3	3		3	
37	2	129003-22950	RING SET, 0.25 OS	3	3	3	3	3		3	

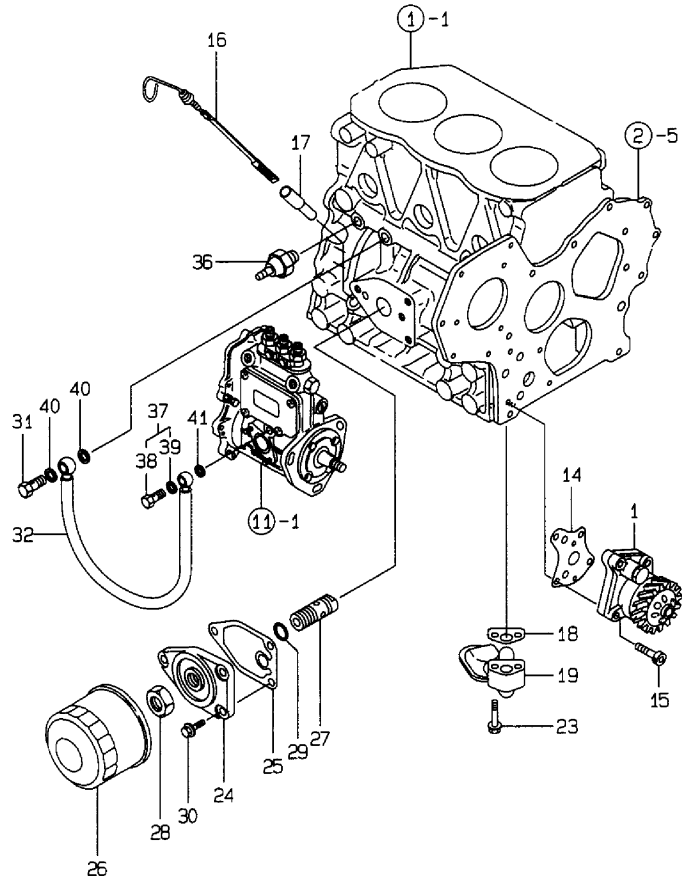
Remarks

- (1) REPAIR PART.
- (2) UNDER-SIZE(U.S=0.25)PART.
- (3) OVER-SIZE(O.S=0.25)PART.

Fig.9. LUB.OIL SYSTEM

Y00D7291  
3TNE82A- (E) YBC, D, E

9 LUB.OIL SYSTEM  
LUB.OIL SYSTEM



(A)=3TNE82A-YBC  
(B)=3TNE82A-YBD  
(C)=3TNE82A-EYBC

(D)=3TNE82A-EYBD  
(E)=3TNE82A-EYBE  
(F)=

No.	Lev.	Parts No.	Description	Q'ty						I	R
				(A)	(B)	(C)	(D)	(E)	(F)		
1	1	129001-32001	PUMP ASSY, OIL	1	1	1	1	1			
14	1	129150-32020	GASKET, PUMP	1	1	1	1	1			
15	1	26450-060252	BOLT, M6X 25	4	4	4	4	4			
16	1	119640-34800	DIPSTICK, OIL	1	1	1	1	1			
17	1	121520-34810	GUIDE, DIPSTICK	1	1	1	1	1			
18	1	129150-35041	GASKET	1	1	1	1	1			
19	1	119810-35401	PIPE ASSY, OIL INLET	1	1	1	1	1			
23	1	26106-080352	BOLT, M8X 35 PLATED	2	2	2	2	2			
24	1	129150-35101	BRACKET, STRAINER	1	1	1	1	1			
25	1	129150-35111	GASKET	1	1	1	1	1			
26	1	129150-35151	FILTER, D80XL80	1	1	1	1	1			
27	1	129001-35300	BOLT, FILTER	1	1	1	1	1			
28	1	129150-35350	NUT	1	1	1	1	1			
29	1	24311-000160	O-RING, 1AP16.0	1	1	1	1	1			
30	1	26106-080202	BOLT, M8X 20 PLATED	3	3	3	3	3			
31	1	124160-39140	BOLT, PIPE JOINT M10	1	1	1	1	1			
32	1	119810-39200	PIPE ASSY, OIL	1	1	1	1	1			
36	1	114250-39450	SWITCH, 0.5KG	1	1	1	1	1			
37	1	124550-59830	BOLT ASSY, JOINT M8	1	1	1	1	1			
38	2	124550-59820	BOLT, PIPE JOINT M8	1	1	1	1	1			
39	2	22190-080002	WASHER, SEAL 6	1	1	1	1	1			
40	1	22190-100002	WASHER, SEAL 10	2	2	2	2	2			
41	1	22190-080002	WASHER, SEAL 6	1	1	1	1	1			

Fig.10. COOLING WATER SYSTEM

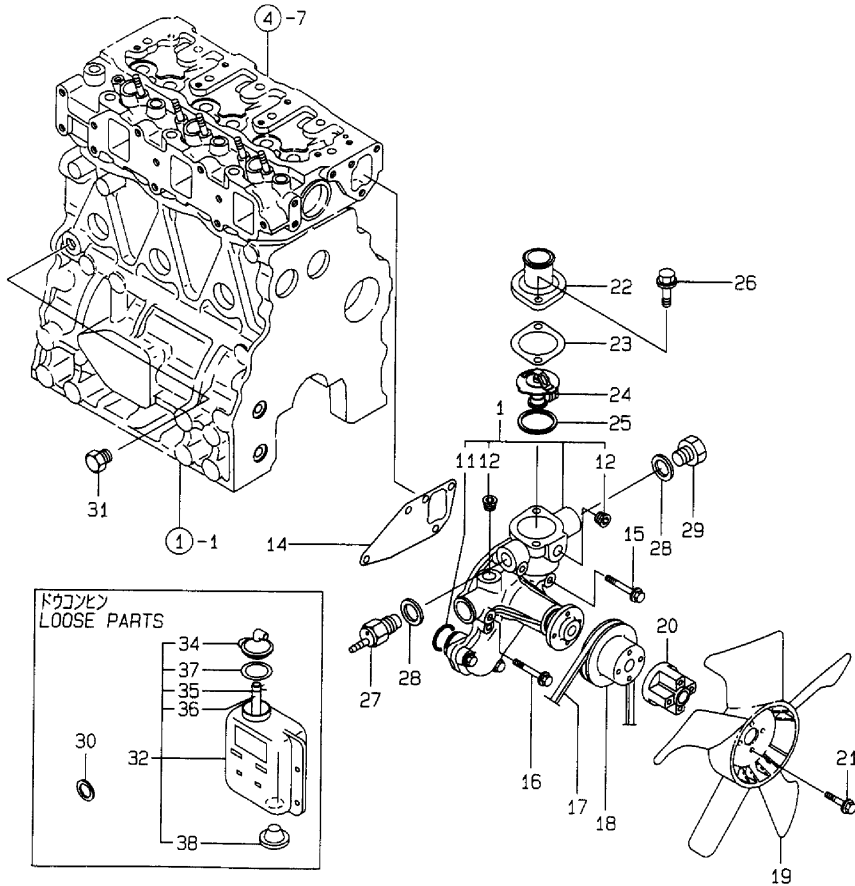
(A)=3TNE82A-YBC  
 (B)=3TNE82A-YBD  
 (C)=3TNE82A-EYBC

(D)=3TNE82A-EYBD  
 (E)=3TNE82A-EYBE  
 (F)=

No.	Lev.	Parts No.	Description	Q'ty						I	R
				(A)	(B)	(C)	(D)	(E)	(F)		
1	1	119810-42001	PUMP ASSY, WATER	1	1	1	1	1			
11	2	129150-42320	O-RING	1	1	1	1	1			
12	2	23876-030000	PLUG, R03	2	2	2	2	2			
14	1	129486-42050	GASKET, WATER PUMP	1	1	1	1	1			
15	1	26106-080352	BOLT, M8X 35 PLATED	1	1	1	1	1			
16	1	26106-080552	BOLT, M8X 55 PLATED	3	3	3	3	3			
17	1	25132-003800	V-BELT, A38	1	1	1	1	1			
18	1	129556-42350	V-PULLEY, 96	1	1	1	1	1			
19	1	119265-44740	FAN, D=310X5F	1	1	1	1	1			
20	1	171353-44760	SPACER, FAN	1	1	1	1	1			
21	1	26106-060352	BOLT, M6X 35 PLATED	4	4	4	4	4			
22	1	129350-49530	COVER, THERMOSTAT	1	1	1	1	1			
23	1	129795-49551	GASKET	1	1	1	1	1			
24	1	129155-49800	THERMOSTAT, 71	1	1	1	1	1			
25	1	129150-49811	GASKET, THERMOSTAT	1	1	1	1	1			
26	1	26106-080222	BOLT, M8X 22 PLATED	2	2	2	2	2			
27	1	121250-44901	SWITCH, 110	1	1	1	1	1			
28	1	124465-44950	GASKET, 16	2	2	2	2	2			
29	1	121450-42450	PLUG, M16	1	1	1	1	1			
30	1	129150-49360	GASKET	1	1	1	1	1			
31	1	171056-49120	PLUG, DRAIN	1	1	1	1	1			
32	1	121468-44510	SUB-TANK ASSY	1	1	1	1	1			
34	2	121450-44531	CAP	1	1	1	1	1			
35	2	124450-44560	RETAINER	1	1	1	1	1			
36	2	23065-070130	PIPE, 7X 130	1	1	1	1	1			
37	2	121470-44581	GASKET	1	1	1	1	1			
38	2	121468-44540	PLUG, SUB-TANK	1	1	1	1	1			

Y00D7291  
 3TNE82A-(E) YBC, D, E

10 CWシステム  
 COOLING WATER SYSTEM

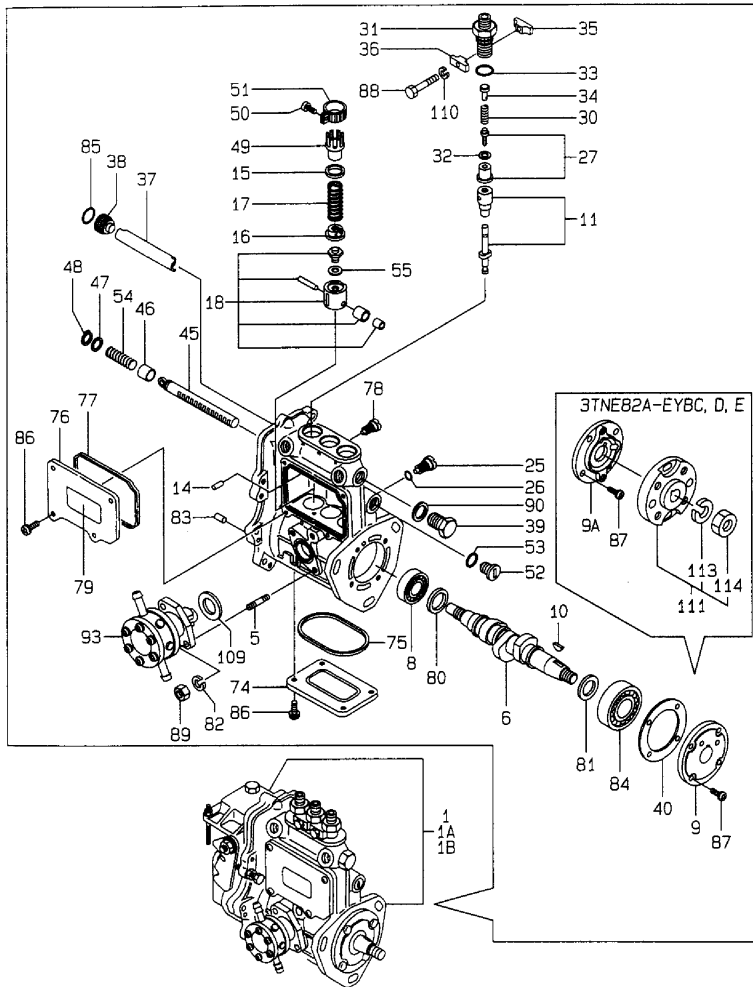


# Fig.11. FUEL INJECTION PUMP

(A)=3TNE82A-YBC (D)=3TNE82A-EYBD  
 (B)=3TNE82A-YBD (E)=3TNE82A-EYBE  
 (C)=3TNE82A-EYBC (F)=

Y0007291  
 3TNE82A- (E) YBC, D, E

↑↑ FO7ンシャポン  
 FUEL INJECTION PUMP



No.	Lev.	Parts No.	Description	Qty						I	R
				(A)	(B)	(C)	(D)	(E)	(F)		
1	1	719833-51360	PUMP ASSY, INJECTION	1	1						1
1A	1	719833-51450	PUMP ASSY, INJECTION			1					1
1B	1	719833-51460	PUMP ASSY, INJECTION				1	1			1
5	2	129155-51020	STUD	2	2	2	2	2			
6	2	119810-51040	CAMSHAFT	1	1	1	1	1			
8	2	129155-51050	BEARING, 17BM001D	1	1	1	1	1			
9	2	129155-51060	SUPPORT, CAMSHAFT	1	1						
9A	2	129208-51060	SUPPORT			1	1	1			
10	2	122710-51090	KEY	1	1	1	1	1			
11	2	129108-51100	PLUNGER ASSY	3	3	3	3	3			
14	2	129155-51140	PIN	3	3	3	3	3			
15	2	174307-51170	RETAINER, SPRING A	3	3	3	3	3			
16	2	129155-51180	RETAINER, SPRING	3	3	3	3	3			
17	2	124950-51190	SPRING, PLUNGER	3	3	3	3	3			
18	2	129155-51200	TAPPET ASSY	3	3	3	3	3			
25	2	129155-51270	STOPPER, TAPPET	3	3	3	3	3			
26	2	129155-51280	O-RING, S6	3	3	3	3	3			
27	2	129450-51300	VALVE ASSY, DELIVERY	3	3	3	3	3			
30	2	129155-51320	SPRING, DELIVERY	3	3	3	3	3			
31	2	129155-51340	RETAINER	3	3	3	3	3			
32	2	124550-51350	GASKET, DELIVERY	3	3	3	3	3			
33	2	124550-51370	O-RING	3	3	3	3	3			
34	2	129155-51370	STOPPER, VALVE	3	3	3	3	3			
35	2	129155-51380	STOPPER	2	2	2	2	2			
36	2	129155-51390	STOPPER	2	2	2	2	2			
37	2	129155-51400	DEFLECTOR	1	1	1	1	1			
38	2	129155-51410	BOLT	1	1	1	1	1			
39	2	129155-51420	PLUG, M16	1	1	1	1	1			
40	2	129155-51450	SHIM SET, ADJUSTING	1	1	1	1	1			
45	2	129155-51500	RACK, CONTROL	1	1	1	1	1			
46	2	129155-51521	BUSH, RACK	1	1	1	1	1			
47	2	129155-51530	SPACER	1	1	1	1	1			
48	2	129155-51540	CIRCLIP	1	1	1	1	1			
49	2	129155-51550	PINION, CONTROL	3	3	3	3	3			
50	2	122117-51560	SCREW	3	3						
50-1	2	129100-51570	SCREW	3	3	3	3	3			N
		(A=E60895) (B=E61141)									
51	2	174307-51560	PINION	3	3						
51-1	2	129100-51560	PINION	3	3	3	3	3			N
		(A=E60895) (B=E61141)									
52	2	129155-51570	PLUG, M12	1	1	1	1	1			
53	2	129155-51580	O-RING	1	1	1	1	1			
54	2	129155-51591	SPRING, RACK	1	1	1	1	1			
55	2	129155-51600	SHIM SET, ADJUSTING	3	3	3	3	3			
74	2	129155-51701	COVER	1	1	1	1	1			
75	2	129155-51710	GASKET	1	1						
75-1	2	129155-51711	GASKET	1	1	1	1	1			N
		(A=E60895) (B=E61141)									
76	2	129155-51751	COVER	1	1	1	1	1			
77	2	129155-51760	GASKET	1	1	1	1	1			
78	2	129155-51790	STOOPER, RACK	1	1	1	1	1			

Remarks  
 (1) GOVERNOR (FIG.12) IS INCORPORATED  
 IN THIS FUEL INJECTION PUMP ASSY  
 (REF.NO.1,1A,1B).

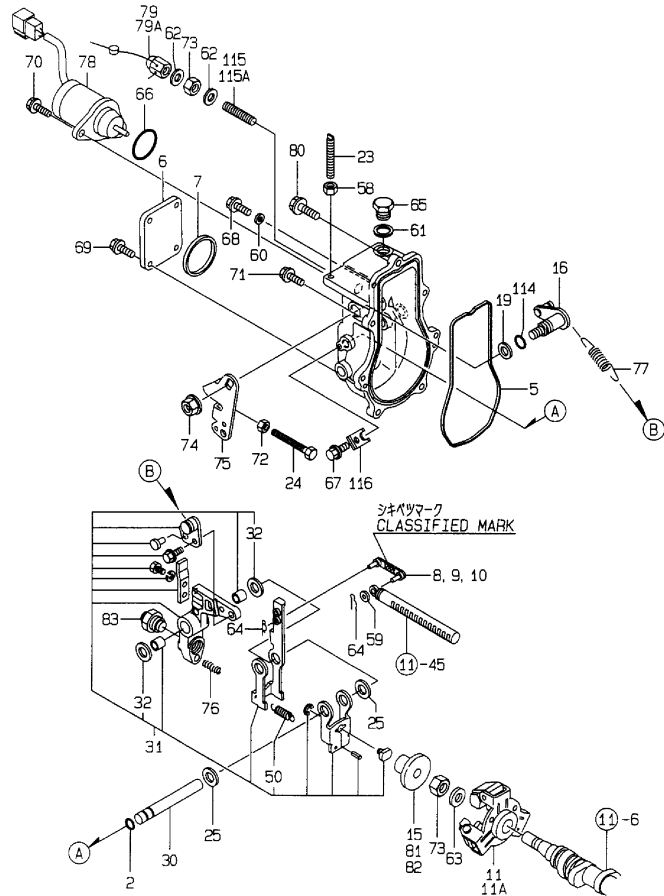




Fig.12. GOVERNOR

Y0007291  
3TNE82A-(E) YBC, D, E

12 かけ  
GOVERNOR



Remarks

- (1) SELECTIVE PARTS: CERTAIN THE CLASSIFICATION MARK, THEN PLACE YOUR ORDER.(REFER TO ILLUSTRATION).
- (2) SELECTIVE PARTS.  
\* THIS FIGURE(GOVERNOR ASSY) IS INCORPORATED IN THE FUEL INJECTION PUMP ASSY(FIG.11).

(A)=3TNE82A-YBC  
(B)=3TNE82A-YBD  
(C)=3TNE82A-EYBC

(D)=3TNE82A-EYBD  
(E)=3TNE82A-EYBE  
(F)=

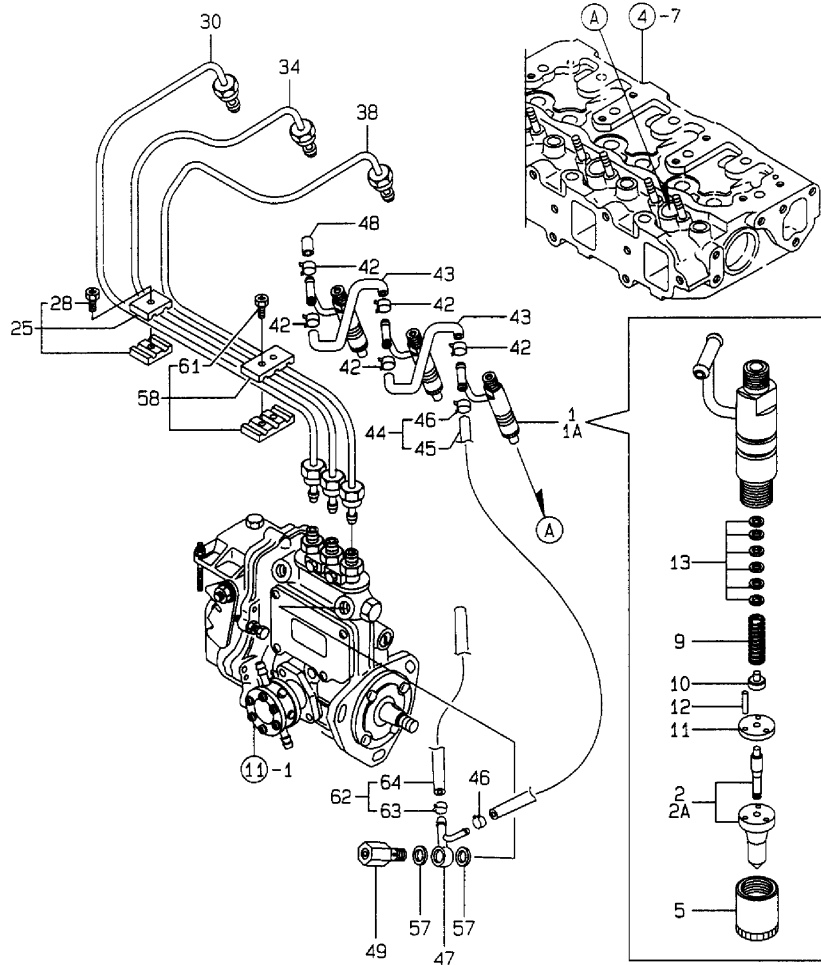
No.	Lev.	Parts No.	Description	Q'ty						I	R
				(A)	(B)	(C)	(D)	(E)	(F)		
2	2	129155-51280	O-RING, S6	1	1	1	1	1			
5	2	129052-61050	GASKET	1	1	1	1	1			
6	2	129052-61060	COVER, GOVERNOR CASE	1	1	1	1	1			
7	2	129052-61070	GASKET	1	1	1	1	1			
8	2	129155-61120	LINK, L=30 MARK 0	1	1	1	1	1		1	
9	2	129155-61130	LINK, L=31 MARK 1	1	1	1	1	1		1	
10	2	129155-61140	LINK, L=30.5 MARK 05	1	1	1	1	1		1	
11	2	129155-61202	WEIGHT ASSY,GOVERNOR	1	1						
11A	2	129486-61201	WEIGHT ASSY,GOVERNOR			1	1	1			
15	2	129155-61341	SLEEVE	1	1	1	1	1		2	
16	2	129100-61400	SHAFT ASSY	1	1	1	1	1			
19	2	129155-61430	SPACER	1	1	1	1	1			
23	2	129155-61450	BOLT, LIMITER	1	1	1	1	1			
24	2	129155-61460	BOLT, IDLE	1	1	1	1	1			
25	2	129155-61480	SPACER ASSY	2	2	2	2	2			
30	2	129052-61390	SHAFT	1	1	1	1	1			
31	2	119908-61501	LEVER ASSY, GOVERNOR	1	1	1	1	1			
32	3	174307-51700	SHIM SET	2	2	2	2	2			
50	3	129486-61540	SPRING, SET	1	1	1	1	1			
58	2	124550-66370	NUT, M6	1	1	1	1	1			
59	2	22117-040000	WASHER, 4	1	1	1	1	1			
60	2	22190-060003	SEAL WASER 6	1	1	1	1	1			
61	2	22190-100002	WASHER, SEAL 10	1	1	1	1	1			
62	2	22190-120002	WASHER, SEAL 12	2	2	2	2	2			
63	2	22287-120000	WASHER, 12	1	1	1	1	1			
64	2	22372-040000	PIN, SNAP 4	2	2	2	2	2			
65	2	23887-100002	PLUG, 10	1	1	1	1	1			
66	2	24341-000280	O-RING, 1AS28.0	1	1	1	1	1			
66-1	2	158552-61900	O-RING	1	1	1	1	1		N	
		(A=EXXXXX)	(B=EXXXXX)	(C=EXXXXX)	(D=EXXXXX)	(E=EXXXXX)					
67	2	26106-060102	BOLT, M6X 10 PLATED	1	1	1	1	1			
68	2	26106-060102	BOLT, M6X 10 PLATED	1	1	1	1	1			
69	2	26106-060102	BOLT, M6X 10 PLATED	4	4	4	4	4			
70	2	26106-060142	BOLT, M6X 14 PLATED	2	2	2	2	2			
71	2	26106-060202	BOLT, M6X 20 PLATED	6	6	6	6	6			
72	2	26756-060002	NUT, LOCK M6	1	1	1	1	1			
73	2	26776-120002	NUT, LOCK M12	2	2	2	2	2			
74	2	26366-080002	NUT, M8	1	1	1	1	1			
75	2	129100-61440	LEVER, CONTROL	1	1	1	1	1			
76	2	129100-61650	SPRING, CONTROLLER	1	1	1	1	1			
77	2	171353-61710	SPRING, GOVERNOR	1	1	1	1	1			
78	2	119233-77931	SOLENOID, STOP	1	1	1	1	1			
79	2	26687-120002	NUT, CAP M12	1	1						
79A	2	129100-61930	NUT, CAP			1	1	1			
80	2	129155-61950	BOLT	1	1	1	1	1			
81	2	129155-61350	SLEEVE, L=24.9	1	1	1	1	1		2	
82	2	129155-61360	SLEEVE, L=25.2	1	1	1	1	1		2	
83	2	171353-61550	ANGLEICH ASSY	1	1	1	1	1			
114	2	129155-61830	O-RING, S10	1	1	1	1	1			
115	2	129155-61470	BOLT, CONTROL	1	1						
115A	2	120323-61470	BOLT, CONTROL			1	1	1			



Fig.13. FUEL INJECTION VALVE

Y000729-  
3TNE82A- (E) Y9C, D, E

13 F07インジェクションバルブ  
FUEL INJECTION VALVE



(A)=3TNE82A-YBC  
(B)=3TNE82A-YBD  
(C)=3TNE82A-EYBC

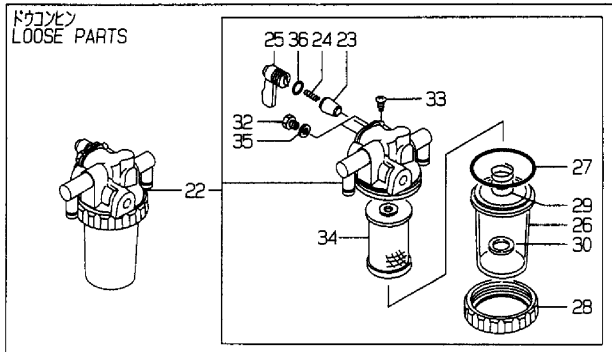
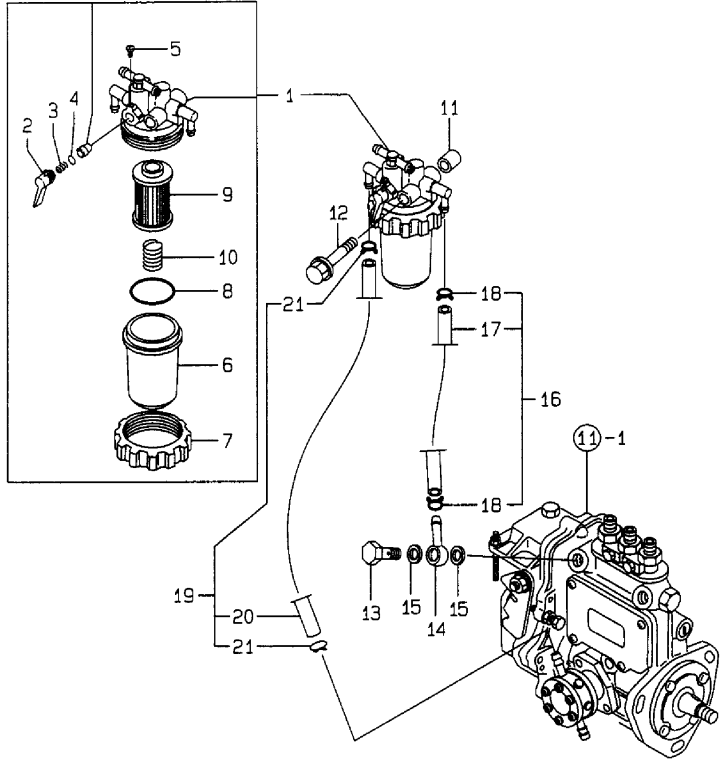
(D)=3TNE82A-EYBD  
(E)=3TNE82A-EYBE  
(F)=

No.	Lev.	Parts No.	Description	Q'ty						I	R
				(A)	(B)	(C)	(D)	(E)	(F)		
1	1	729500-53200	VALVE ASSY,INJECTION	3	3						
1-1	1	719810-53100	VALVE ASSY,INJECTION	3		3					N
(A=E64509)											
1A	1	729609-53200	VALVE ASSY,INJECTION				3	3			
2	2	129500-53050	VALVE ASSY,INJECTION	3	3						
2-1	2	119810-53000	VALVE ASSY,INJECTION	3		3					N
(A=E64509)											
2A	2	129609-53100	VALVE ASSY,INJECTION				3	3			
5	2	114250-53080	NUT, NOZZLE D16.95	3	3	3	3	3			
9	2	114250-53120	SPRING, NOZZLE	3	3	3	3	3			
10	2	114250-53130	SEAT, SPRING	3	3	3	3	3			
11	2	114250-53140	PLATE	3	3	3	3	3			
12	2	114250-53210	PIN	6	6	6	6	6			
13	2	114250-53400	SHIM SET	3	3	3	3	3			
25	1	119305-59120	RETAINER, PIPE	1	1	1	1	1			
28	2	129150-59131	BOLT, M4X14	1	1	1	1	1			
30	1	119910-59810	PIPE ASSY, INJECTION	1	1	1	1	1			
34	1	119910-59820	PIPE ASSY, INJECTION	1	1	1	1	1			
38	1	119910-59830	PIPE ASSY, INJECTION	1	1	1	1	1			
42	1	124066-59100	CLIP, HOSE 8	5	5	5	5	5			
43	1	121250-59550	PIPE, FUEL D8X120	2	2	2	2	2			
44	1	119840-59500	PIPE ASSY, RETURN	1	1	1	1	1			
45	2	119840-59560	PIPE, FUEL RETURN	1	1	1	1	1			
46	2	124066-59100	CLIP, HOSE 8	2	2	2	2	2			
47	1	119840-59570	JOINT	1	1	1	1	1			
48	1	129150-59580	CAP	1	1	1	1	1			
49	1	129100-59951	VALVE ASSY, CHECK	1	1	1	1	1			
57	1	22190-120002	WASHER, SEAL 12	2	2	2	2	2			
58	1	129150-59120	RETAINER, PIPE	1	1	1	1	1			
61	2	129150-59131	BOLT, M4X14	2	2	2	2	2			
62	1	129210-59130	PIPE ASSY, FUEL	1	1	1	1	1			
63	2	124766-59050	CLIP, HOSE 12	2	2	2	2	2			
64	2	105025-59750	PIPE, FUEL	1	1	1	1	1			

Fig.14. FUEL LINE

Y000729-1  
3TNE82A- (E) YBC, D, E

14 FUEL LINE



(A)=3TNE82A-YBC  
(B)=3TNE82A-YBD  
(C)=3TNE82A-EYBC

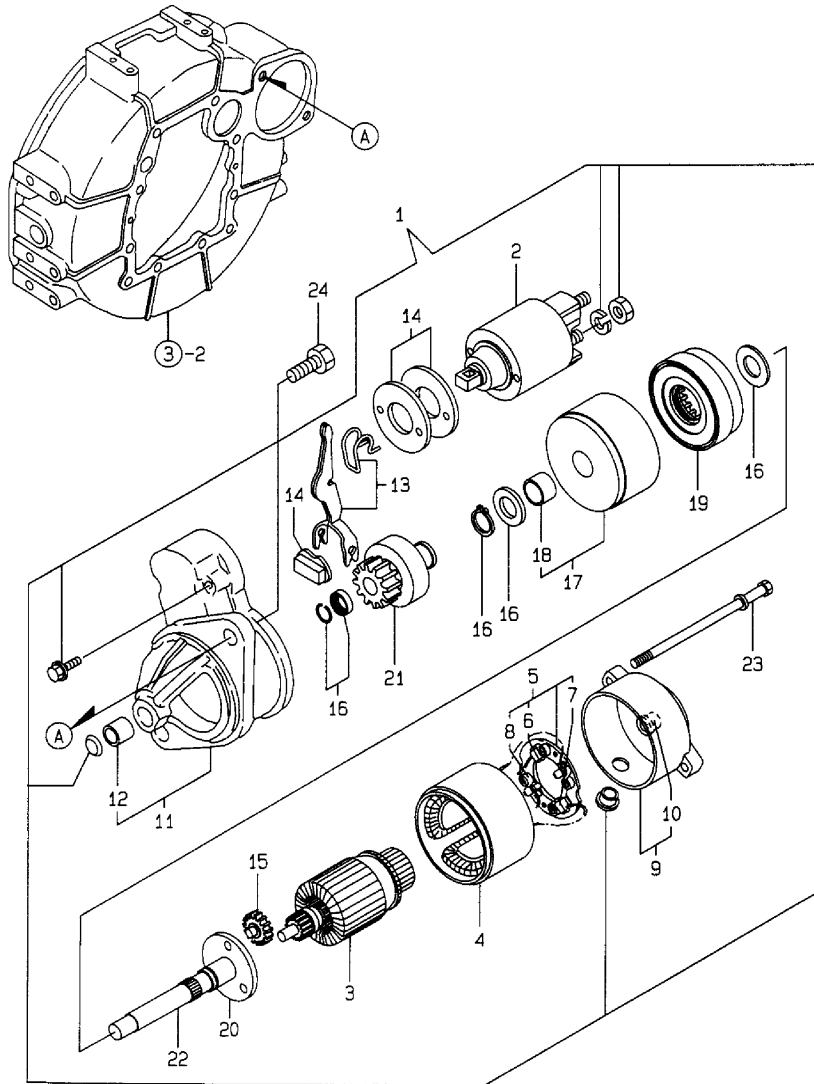
(D)=3TNE82A-EYBD  
(E)=3TNE82A-EYBE  
(F)=

No.	Lev.	Parts No.	Description	Q'ty						I	R
				(A)	(B)	(C)	(D)	(E)	(F)		
1	1	119833-55620	FILTER ASSY, FUEL	1	1	1	1	1			
2	2	119810-55340	LEVER	1	1	1	1	1			
3	2	104200-55330	SPRING, VALVE	1	1	1	1	1			
4	2	24311-240100	O-RING, 1AP10A	1	1	1	1	1			
5	2	104200-55750	SCREW, M4	1	1	1	1	1			
6	2	121254-55510	COVER	1	1	1	1	1			
7	2	110250-55610	RING, RETAINING	1	1	1	1	1			
8	2	102103-55520	O-RING	1	1	1	1	1			
9	2	119810-55650	ELEMENT	1	1	1	1	1			
10	2	121250-55620	SPRING	1	1	1	1	1			
11	1	129411-55690	SPACER	1	1	1	1	1			
12	1	26014-080852	BOLT, M8X 85	1	1	1	1	1			
13	1	103854-39140	BOLT, PIPE JOINT	1	1	1	1	1			
14	1	101304-59020	JOINT, PIPE 12	1	1	1	1	1			
15	1	22190-120002	WASHER, SEAL 12	2	2	2	2	2			
16	1	129210-59040	PIPE ASSY, FUEL	1	1	1	1	1			
17	2	129555-59510	PIPE, D13/7.5X180	1	1	1	1	1			
18	2	124766-59050	CLIP, HOSE 12	2	2	2	2	2			
19	1	129210-59130	PIPE ASSY, FUEL	1	1	1	1	1			
20	2	105025-59750	PIPE, FUEL	1	1	1	1	1			
21	2	124766-59050	CLIP, HOSE 12	2	2	2	2	2			
22	1	129335-55700	SEPARATOR ASSY, WATER	1	1	1	1	1			
23	2	104200-55321	VALVE, TAPER	1	1	1	1	1			
24	2	104200-55330	SPRING, VALVE	1	1	1	1	1			
25	2	104200-55341	HANDLE	1	1	1	1	1			
26	2	124064-55510	COVER	1	1	1	1	1			
27	2	102103-55520	O-RING	1	1	1	1	1			
28	2	110250-55610	RING, RETAINING	1	1	1	1	1			
29	2	121257-55720	SPRING	1	1	1	1	1			
30	2	121257-55731	FLOAT	1	1	1	1	1			
32	2	101720-55750	PLUG, 6	2	2	2	2	2			
33	2	104200-55750	SCREW, M4	1	1	1	1	1			
34	2	171081-55910	SCREEN	1	1	1	1	1			
35	2	23418-060000	GASKET, 6X1.0	2	2	2	2	2			
36	2	24311-240100	O-RING, 1AP10A	1	1	1	1	1			

Fig.15. STARTING MOTOR

Y0CD7251  
3TNE82A- (E) YBC, D, E

15 スターティングモータ  
STARTING MOTOR



(A)=3TNE82A-YBC  
(B)=3TNE82A-YBD  
(C)=3TNE82A-EYBC

(D)=3TNE82A-EYBD  
(E)=3TNE82A-EYBE  
(F)=

No.	Lev.	Parts No.	Description	Q'ty						I	R
				(A)	(B)	(C)	(D)	(E)	(F)		
1	1	129698-77010	STARTER, 12V1.2KW	1	1	1	1	1			
2	2	129698-77020	MAGNETIC SWITCH ASSY	1	1	1	1	1			
3	2	129698-77100	ARMATURE ASSY	1	1	1	1	1			
4	2	129698-77110	COIL ASSY, FIELD	1	1	1	1	1			
5	2	129698-77120	HOLDER ASSY, BRUSH	1	1	1	1	1			
6	3	129698-77140	BRUSH(+) SET	1	1	1	1	1			
7	3	129698-77130	BRUSH (-)	2	2	2	2	2			
8	3	129698-77150	SPRING, BRUSH	4	4	4	4	4			
9	2	129698-77160	COVER ASSY, REAR	1	1						
9-1	2	129698-77161	COVER ASSY	1	1	1	1	1		R	
		(A=EXXX)	(B=EXXX)								
10	3	129698-77170	BEARING	1	1	1	1	1			
11	2	129698-77260	HOUSING ASSY, GEARS	1	1	1	1	1			
12	3	X2114535200	METAL, STARTER	1	1	1	1	1			
13	2	129698-77270	LEVER SET, SHIFT	1	1	1	1	1			
14	2	129698-77280	COVER KIT	1	1	1	1	1			
15	2	129698-77240	GEAR	3	3	3	3	3			
16	2	129698-77250	WASHER SET	1	1	1	1	1			
17	2	129698-77180	BRACKET	1	1	1	1	1			
18	3	129698-77190	BRACKET	1	1	1	1	1			
19	2	129698-77200	GEAR, INTERNAL	1	1	1	1	1			
20	2	129698-77210	BRACKET	1	1	1	1	1			
21	2	129698-77220	PINION ASSY	1	1	1	1	1			
22	2	129698-77230	SHAFT(PINION)	1	1	1	1	1			
23	2	124195-77770	THROUGH BOLT	2	2	2	2	2			
24	1	26116-120252	BOLT, M12X 25 PLATED	2	2	2	2	2			

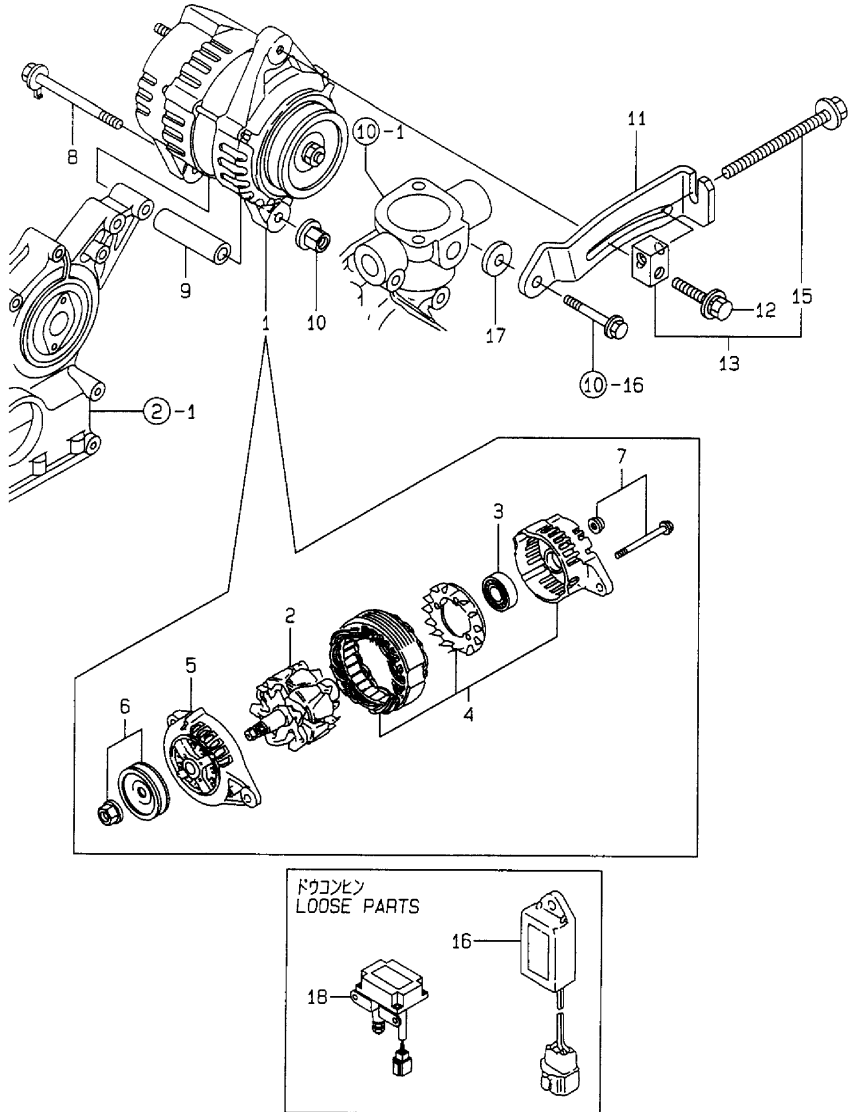
Fig.16. GENERATOR

(A)=3TNE82A-YBC  
 (B)=3TNE82A-YBD  
 (C)=3TNE82A-EYBC

(D)=3TNE82A-EYBD  
 (E)=3TNE82A-EYBE  
 (F)=

Y30D72B1  
 3TNE82A- (E) YBC, D, E

16 ジェネレータ  
 GENERATOR



No.	Lev.	Parts No.	Description	Qty						I	R
				(A)	(B)	(C)	(D)	(E)	(F)		
1	1	119836-77201	GENERATOR (AC)	1	1	1	1	1			
2	2	129612-77700	ROTOR ASSY	1	1	1	1	1			
3	2	129612-77710	BEARING, BALL	1	1	1	1	1			
4	2	119836-77920	BRACKET ASSY	1	1	1	1	1			
5	2	129612-77730	BRACKET ASSY, FILTER	1	1	1	1	1			
6	2	129612-77740	PULLEY	1	1	1	1	1			
7	2	129612-77750	SCREW KIT	1	1	1	1	1			
8	1	129136-77251	BOLT, M8X110	1	1	1	1	1			
9	1	119820-77340	PIECE, DISTANCE	1	1	1	1	1			
10	1	129612-77260	NUT, ALTERNATOR	1	1	1	1	1			
11	1	119823-77310	ADJUSTER	1	1	1	1	1			
12	1	26014-080452	BOLT, M8X 45	1	1	1	1	1			
13	1	119624-77350	BLOCK, ADJUSTER	1	1	1	1	1			
15	2	26106-081004	BOLT, M8X100 PLATED	1	1	1	1	1			
16	1	129211-77920	TIMER	1	1	1	1	1			
17	1	121236-77340	SPACER	1	1	1	1	1			
18	1	129136-77101	RELAY, SAFETY	1	1	1	1	1			

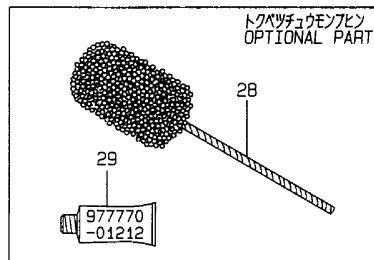
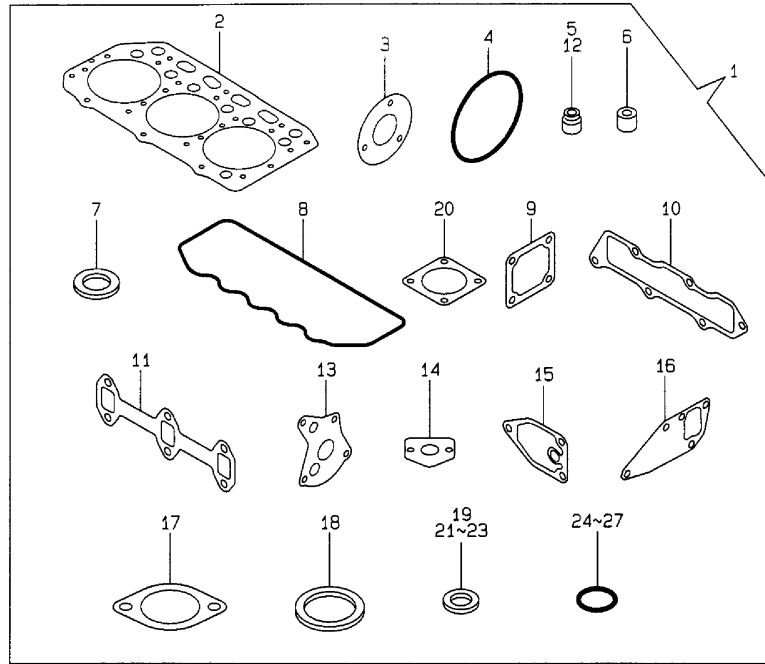
Fig.17. GASKET SET

(A)=3TNE82A-YBC  
 (B)=3TNE82A-YBD  
 (C)=3TNE82A-EYBC

(D)=3TNE82A-EYBD  
 (E)=3TNE82A-EYBE  
 (F)=

YCCD7291  
 3TNE82A- (E) YBC, D, E

17 パッキンセット  
 GASKET SET



No.	Lev.	Parts No.	Description	Q'ty						I	R
				(A)	(B)	(C)	(D)	(E)	(F)		
1	1	719812-92660	GASKET SET	1	1	1	1	1			1
2	2	119812-01330	GASKET, HEAD	1	1	1	1	1			
3	2	103954-13201	GASKET, SILENCER	1	1	1	1	1			
4	2	121850-51960	O-RING	1	1	1	1	1			
5	2	124160-11340	SEAL, VALVE STEM	3	3	3	3	3			
6	2	119625-11870	PROTECTOR, NOZZLE	3	3	3	3	3			
7	2	119625-11880	SEAT, NOZZLE	3	3	3	3	3			
8	2	119865-11310	GASKET, BONNET	1	1	1	1	1			
9	2	129150-77511	GASKET	1	1	1	1	1			
10	2	119813-12110	GASKET, MANIFOLD	1	1	1	1	1			
11	2	119810-13110	GASKET	1	1	1	1	1			
12	2	124950-11340	SEAL, VALVE STEM	3	3	3	3	3			
13	2	129150-32020	GASKET, PUMP	1	1	1	1	1			
14	2	129150-35041	GASKET	1	1	1	1	1			
15	2	129150-35111	GASKET	1	1	1	1	1			
16	2	129486-42050	GASKET, WATER PUMP	1	1	1	1	1			
17	2	129795-49551	GASKET	1	1	1	1	1			
18	2	129150-49811	GASKET, THERMOSTAT	1	1	1	1	1			
19	2	22190-080002	WASHER, SEAL 6	5	5	5	5	5			
20	2	124701-11911	GASKET, SILENCER	1	1	1	1	1			
21	2	124465-44950	GASKET, 16	2	2	2	2	2			
22	2	129150-49360	GASKET	1	1	1	1	1			
23	2	22190-120002	WASHER, SEAL 12	4	4	4	4	4			
24	2	24311-000120	O-RING, 1AP12.0	3	3	3	3	3			
25	2	24311-000160	O-RING, 1AP16.0	3	3	3	3	3			
26	2	24311-000320	O-RING, 1AP32.0	2	2	2	2	2			
27	2	24341-000240	O-RING, 1AS24.0	1	1	1	1	1			
28	1	129400-92420	FLEX HORN	1	1	1	1	1			1
29	1	977770-01212	GASKET, LIQUID	1	1	1	1	1			1

Remarks  
 (1) OPTIONAL PART.

## Parts No. Index

Parts No.	Fig. No.	Ref. No.
101304-59020	14	14
101720-55750	14	32
102103-55520	14	8
		27
103854-39140	14	13
103954-13201	6	8
	17	3
104200-55321	14	23
104200-55330	14	3
		24
104200-55341	14	25
104200-55750	14	5
		33
104211-11180	4	18
104211-11370	4	22
105025-59750	13	64
	14	20
110250-55610	14	7
		28
114250-39450	9	36
114250-53080	13	5
114250-53120	13	9
114250-53130	13	10
114250-53140	13	11
114250-53210	13	12
114250-53400	13	13
119131-18320	6	7
119233-77931	12	78
119265-44740	10	19
119305-59120	13	25
119620-01750	3	3
119620-02020	1	7
119624-77350	16	13
119625-11870	4	23
	17	6
119625-11880	4	24
	17	7
119625-11900	4	25
119640-01640	3	9
119640-34800	9	16
119660-61901	12	116
119810-01200	1	22
119810-01730	3	6
119810-01780	3	17
119810-01790	3	8
119810-02870	1	24
119810-02940	1	27
119810-11100	4	15
119810-11110	4	16
119810-11120	4	17

Parts No.	Fig. No.	Ref. No.
119810-11240	4	27
119810-13100	6	1
119810-13110	6	2
	17	11
119810-14400	7	2
119810-14580	7	3
119810-23200	8	30
119810-23600	8	31
119810-23610	8	33
119810-23910	8	29
119810-35401	9	19
119810-39200	9	32
119810-42001	10	1
119810-51040	11	6
119810-53000	13	2 -1
119810-55340	14	2
119810-55650	14	9
119812-01330	1	23
	17	2
119812-11700	4	7
119813-12100	5	2
119813-12110	5	1
	17	10
119813-21000	8	1
119813-22080	8	17
119813-22300	8	23
119813-22500	8	19
119813-22900	8	35
119820-77340	16	9
119823-77310	16	11
119833-55620	14	1
119836-77201	16	1
119836-77920	16	4
119840-59500	13	44
119840-59560	13	45
119840-59570	13	47
119865-11210	4	26
119865-11310	4	47
	17	8
119865-21600	8	16
119908-61501	12	31
119910-59810	13	30
119910-59820	13	34
119910-59830	13	38
120323-61470	12	115 A
121023-01550	2	25
121111-21501	8	12
121236-77340	16	17
121250-44901	10	27
121250-55620	14	10

Parts No.	Fig. No.	Ref. No.
121250-59550	13	43
121254-55510	14	6
121257-55720	14	29
121257-55731	14	30
121450-01560	2	6
121450-42450	10	29
121450-44531	10	34
121468-44510	10	32
121468-44540	10	38
121470-44581	10	37
121520-34810	9	17
121850-21680	8	11
121850-51960	2	12
	17	4
122117-51560	11	50
122710-51090	11	10
124060-11800	4	11
124064-55510	14	26
124066-59100	13	42
		46
124160-01751	2	7
	4	59
124160-01910	1	5
		11
124160-11340	4	20
	17	5
124160-11360	4	51
124160-39140	9	31
124195-77770	15	23
124240-01871	2	8
124450-44560	10	35
124465-44950	10	28
	17	21
124550-51350	11	32
124550-51370	11	33
124550-59820	9	38
124550-59830	9	37
124550-66370	12	58
124701-11911	6	5
	17	20
124766-59050	13	63
	14	18
		21
124950-11340	4	21
	17	12
124950-51190	11	17
129001-01250	1	12
129001-32001	9	1
129001-35300	9	27
129001-91841	2	21

Parts No.	Fig. No.	Ref. No.
129003-22950	8	37
129052-61050	12	5
129052-61060	12	6
129052-61070	12	7
129052-61390	12	30
129100-01580	3	1
		14
	8	2
129100-25061	7	9
129100-51560	11	51 -1
129100-51570	11	50 -1
129100-52100	11	93
129100-59951	13	49
129100-61400	12	16
129100-61440	12	75
129100-61650	12	76
129100-61930	12	79 A
129108-51100	11	11
129120-77501	5	5
129136-77101	16	18
129136-77251	16	8
129150-02450	7	4
129150-03020	4	42
129150-03070	4	43
129150-03080	4	44
129150-03100	2	11
129150-11230	4	34
129150-11280	4	32
129150-11750	4	36
129150-14101	7	7
129150-14200	7	1
129150-21200	8	5
129150-25101	7	10
129150-25301	7	19
129150-25900	7	15
129150-25920	7	13
129150-25931	7	20
129150-32020	9	14
	17	13
129150-35041	9	18
	17	14
129150-35101	9	24
129150-35111	9	25
	17	15
129150-35151	9	26
129150-35350	9	28
129150-42320	10	11
129150-49360	10	30
	17	22
129150-49811	10	25



## Parts No. Index

Parts No.	Fig. No.	Ref. No.
129150-49811	17	18
129150-59120	13	58
129150-59131	13	28
		61
129150-59580	13	48
129150-77511	5	6
	17	9
129155-11260	4	30
129155-11270	4	31
129155-49800	10	24
129155-51020	11	5
129155-51050	11	8
129155-51060	11	9
129155-51140	11	14
129155-51180	11	16
129155-51200	11	18
129155-51270	11	25
129155-51280	11	26
	12	2
129155-51320	11	30
129155-51340	11	31
129155-51370	11	34
129155-51380	11	35
129155-51390	11	36
129155-51400	11	37
129155-51410	11	38
129155-51420	11	39
129155-51450	11	40
129155-51500	11	45
129155-51521	11	46
129155-51530	11	47
129155-51540	11	48
129155-51550	11	49
129155-51570	11	52
129155-51580	11	53
129155-51591	11	54
129155-51600	11	55
129155-51701	11	74
129155-51710	11	75
129155-51711	11	75 -1
129155-51751	11	76
129155-51760	11	77
129155-51790	11	78
129155-51930	11	80
129155-51940	11	81
129155-52050	11	109
129155-61120	12	8
129155-61130	12	9
129155-61140	12	10
129155-61202	12	11

Parts No.	Fig. No.	Ref. No.
129155-61341	12	15
129155-61350	12	81
129155-61360	12	82
129155-61430	12	19
129155-61450	12	23
129155-61460	12	24
129155-61470	12	115
129155-61480	12	25
129155-61830	12	114
129155-61950	12	80
129156-51910	11	79
129208-51060	11	9 A
129208-54500	11	111
129210-59040	14	16
129210-59130	13	62
	14	19
	16	16
129211-77920	16	16
129335-55700	14	22
129350-49530	10	22
129400-01520	2	5
129400-92420	17	28
129411-55690	14	11
129450-51300	11	27
129486-01670	3	18
129486-07901	4	1
129486-42050	10	14
	17	16
129486-61201	12	11 A
129486-61540	12	50
129500-53050	13	2
129555-59510	14	17
129556-42350	10	18
129609-53100	13	2 A
129612-01600	3	2
129612-77260	16	10
129612-77700	16	2
129612-77710	16	3
129612-77730	16	5
129612-77740	16	6
129612-77750	16	7
129698-77010	15	1
129698-77020	15	2
129698-77100	15	3
129698-77110	15	4
129698-77120	15	5
129698-77130	15	7
129698-77140	15	6
129698-77150	15	8
129698-77160	15	9
129698-77161	15	9 -1

Parts No.	Fig. No.	Ref. No.
129698-77170	15	10
129698-77180	15	17
129698-77190	15	18
129698-77200	15	19
129698-77210	15	20
129698-77220	15	21
129698-77230	15	22
129698-77240	15	15
129698-77250	15	16
129698-77260	15	11
129698-77270	15	13
129698-77280	15	14
129792-22400	8	24
129795-01800	2	4
129795-01950	2	10
129795-02411	1	21
129795-21661	8	10
129795-49551	10	23
	17	17
158552-61900	12	66 -1
171051-01921	1	6
171056-49120	10	31
171081-55910	14	34
171301-21650	8	9
171325-21590	8	13
171353-44760	10	20
171353-61550	12	83
171353-61710	12	77
174307-51170	11	15
174307-51560	11	51
174307-51700	12	32
22117-040000	12	59
22190-060003	12	60
22190-080002	2	23
		24
	9	39
		41
	17	19
22190-100002	9	40
	12	61
22190-120002	12	62
	13	57
	14	15
	17	23
22190-160002	11	90
22190-220002	3	11
22217-050000	11	110
22217-060000	11	82
22217-120000	7	16
	11	113

Parts No.	Fig. No.	Ref. No.
22287-120000	12	63
22351-040010	8	8
22351-050010	11	83
22351-060012	4	53
22372-040000	12	64
22512-070140	7	8
	8	6
23065-070130	10	36
23418-060000	14	35
23876-010000	1	10
23876-030000	10	12
23887-100002	12	65
24101-063034	11	84
24311-000120	4	52
	17	24
24311-000160	2	13
	9	29
	17	25
24311-000320	2	14
	4	60
	17	26
24311-240100	14	4
		36
24341-000160	11	85
24341-000240	2	26
	17	27
24341-000280	12	66
24341-000500	4	49
25132-003800	10	17
26014-080452	16	12
26014-080852	14	12
26022-050122	11	86
26022-060162	11	87
26106-060102	12	67
		68
		69
26106-060142	12	70
26106-060162	2	27
26106-060202	12	71
26106-060352	10	21
26106-080122	2	15
26106-080142	4	6
	7	18
26106-080162	2	16
		17
	3	12
	4	50
26106-080202	2	18
	9	30
26106-080222	10	26

## Parts No. Index

Parts No.	Fig. No.	Ref. No.
26106-080252	4	38
	5	4
26106-080352	3	19
	5	7
	9	23
	10	15
26106-080452	2	19
	3	13
	7	14
26106-080502	4	39
26106-080552	2	20
	10	16
26106-080602	6	3
26106-081004	16	15
26116-050302	11	88
26116-120252	15	24
26206-100252	3	4
26206-100302	3	5
26216-060302	4	13
26216-080602	6	4
26226-080182	4	37
26306-080002	2	22 -1
	6	6 -1
26366-060002	4	54
26366-080002	2	22
	6	6
	12	74
26450-060252	9	15
26687-120002	12	79
26716-060002	11	89
26716-120002	7	17
	11	114
26756-060002	12	72
26776-120002	12	73
27241-120000	1	13
27241-300000	1	14
27241-400000	4	14
27310-070001	4	19
719810-01500	2	1
719810-01650	3	15
719810-02800	1	15
719810-02930	1	18
719810-11521	4	40
719810-11660	4	33
719810-23100	8	25
719810-53100	13	1 -1
719812-92660	17	1
719813-01560	1	1
719833-51360	11	1
719833-51450	11	1 A

Parts No.	Fig. No.	Ref. No.
719833-51460	11	1 B
729500-53200	13	1
729609-53200	13	1 A
977770-01212	2	9
	3	20
	17	29
X2114535200	15	12

Parts No.	Fig. No.	Ref. No.
-----------	----------	----------

Parts No.	Fig. No.	Ref. No.
-----------	----------	----------