

0CD10-M71501EN

# PREFACE

1.This parts catalog is the Second edition of 4TNE98-TBZ, TBA for Takeuchi Mfg. Co., Ltd.

2. Parts catalog history

	Parts catalog No,	Date of issue	Remarks
1st. edition	000Y00D7150	May.2000	Abolish old edition
2nd. edition	000Y00D7151	June.2001	

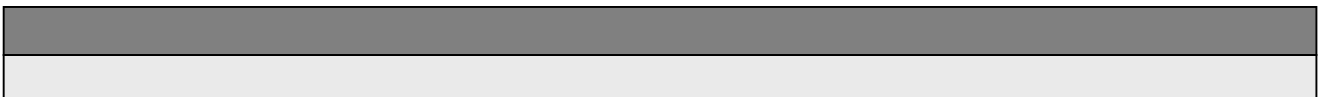
3.This parts catalog dose not contain the technical data needed for maintenance service

4.The illustrations used in this parts catalog have been simplified for clarity.

5. Model name

Engine model	Vehicle		Vehicle made by
	Products	Model name	
4TNE98-TBZ	EXCAVATOR	F14C	Takeuchi Mfg. Co., Ltd.
4TNE98-TBA		F14B	

6.The contents of this parts catalog are subject to change without prior notice.



## Directions for the Parts Catalog.

1. The parts stipulated in this Parts Catalog are not necessarily standard equipped parts.
2. Parts may change without prior notice.
3. The following is an example of the Parts Catalog format.

OCF10-G21601 29. FUEL INJECTION PUMP(W/BOOST)

REF.	LEV.	PARTS NO.	DESCRIPTION	Q'TY						I	R
				(A)	(B)	(C)	(D)	(E)	(F)		
1	1	729595-51390	FUEL INJECTION PUMP	1	1	1	1	1			1
1-1	1	729595-51391	FUEL INJECTION PUMP	1	1	1	1	1		N	1
		(A=E00185) (B=E00200)									
3	2	26022-060162	SCREW M 6X 16	9	9	9	9	9			
3-1	2	26022-060162	SCREW M 6X 16	4	4	4	4	4		K	
		(A=E00156) (B=E00156) (C=E00156) (D=E00156) (E=E00156)									
4	2	129470-51040	CAMSHAFT	1	1	1	1	1			
5	2	122710-51050	BEARING, ROLLER	2	2	2	2	2			
6	2	129470-51060	RETAINER	1	1	1	1	1			

Remarks

(1) BOOST COMPEMSATOR TYPE. OPTIONAL PART, TO E00155,(4JH-DT, 4JH-DTZ

### ① Ref. No.

The Ref. No. listed may not be in accordance with the illustration Ref. No.

(Ex.) Illustration No.

List Ref No.

1

1

(Before change)

1-1

(After change)

For interchangeable symbols N, R and K, illustrations for new parts may be abbreviated.

### ② Lev. (Level)

Level indication

The numbers below indicate the level of relativity towards the main part.

1 ----- Main parts (Assembly parts)

2 ----- Sub component included in " 1 ".

3 ----- Sub component included in " 2 ".

Note) Parts that are not for sale are partially illustrated but not listed.

### ③ Interchangeability Mark

When a part change takes place, one of the following interchangeability symbols is indicated beside the part.

Symbol	Interchangeability	Contents note
N	Old $\begin{matrix} \leftarrow \text{Yes} \\ \text{No} \rightarrow \end{matrix}$ New	New Part is interchangeable for Old Part but Old Part is not interchangeable for New Part.
Q	Old $\begin{matrix} \leftarrow \text{No} \\ \text{Yes} \rightarrow \end{matrix}$ New	New Part is not interchangeable for Old Part but Old Part is interchangeable for New Part.
R	Old $\begin{matrix} \leftarrow \text{Yes} \\ \text{Yes} \rightarrow \end{matrix}$ New	New/ Old Parts are both interchangeable.
S	Old $\begin{matrix} \leftarrow \text{No} \\ \text{No} \rightarrow \end{matrix}$ New	New/ Old Parts are both not interchangeable.
W		Part newly added.
Z		Part discontinued.
F		Not interchangeable by a single part but interchangeable together with related parts.
K		Changes only for used parts quantities.

### ④ Effective Machine No.

When a part changes, the effective Machine No. will be indicated in the (A)-(F) column.

Product Symbol	Product No.	Product Symbol	Product No.
C	Clutch No. Compressor No.	F	Machine No. (Agricultural Equip.)
D	Drive No.	M	Machine No.
E	Engine No.		

Note 1) A date may follow the symbol. (Ex.) 1996.01

Note 2) "XXXXX" and "ZZZZZ" are for parts that could not be predicted or for engine models that could not be identified.

Note 3) (A=E00185) is the E (Engine Serial Number) for the column (A) model (in this case 4JH-DT) after the parts design change.

### ⑤ Remarks Mark

Figures or alphabets (symbols) are entered in the remarks column.

The comments (remarks) on parts that are indicated at the bottom of the illustration are the same symbols as those stated above.

# Contents

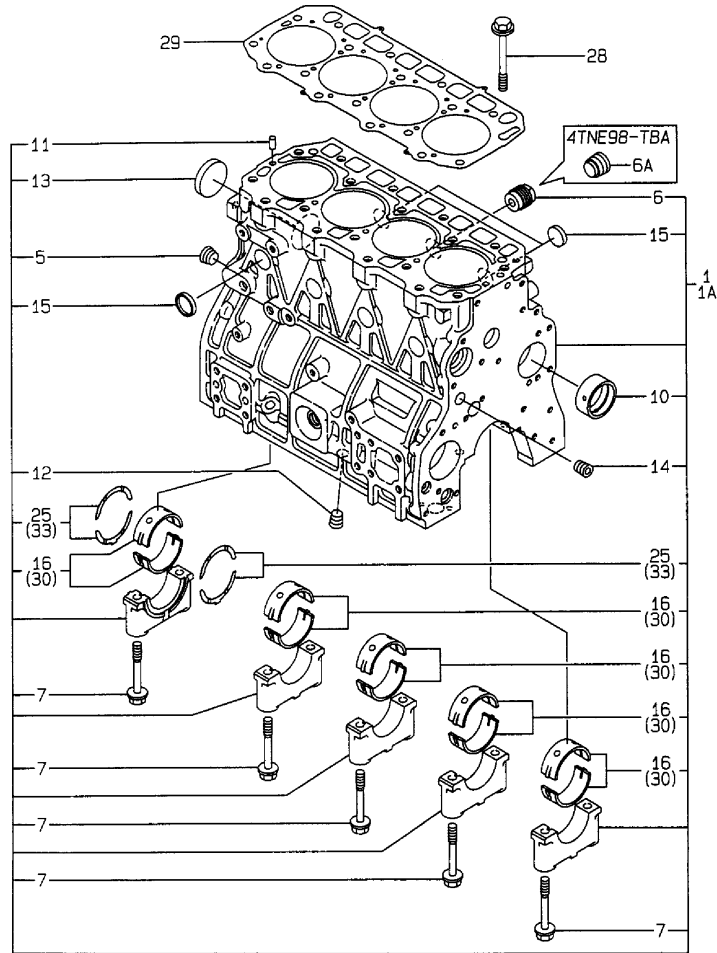
Fig. No.    Fig. Name

4TNE98-TBZ,TBA

1. CYLINDER BLOCK
2. GEAR HOUSING
3. FLYWHEEL HOUSING & OIL SUMP
4. CYLINDER HEAD & BONNET
5. SUCTION MANIFOLD & AIR CLEANER
6. EXHAUST MANIFOLD & SILENCER
7. CAMSHAFT & DRIVING GEAR
8. CRANKSHAFT & PISTON
9. LUB.OIL SYSTEM
10. COOLING WATER SYSTEM
11. FUEL INJECTION PUMP
12. FUEL INJECTION VALVE
13. FUEL LINE
14. STARTING MOTOR
15. GENERATOR
16. GASKET SET
17. GOVERNOR
18. FEED PUMP
19. ENGINE STOP DEVICE
20. STARTING MOTOR
21. GENERATOR

Fig. No.    Fig. Name

Fig.1. CYLINDER BLOCK



(A)=4TNE98-TBZ  
(B)=4TNE98-TBA  
(C)=

(D)=  
(E)=  
(F)=

No.	Lev.	Parts No.	Description	Q'ty						I	R
				(A)	(B)	(C)	(D)	(E)	(F)		
1	1	729953-01560	BLOCK ASSY, CYLINDER	1							
1A	1	729902-01560	BLOCK ASSY, CYLINDER		1						
5	2	23876-030000	PLUG, R03	1	1						
6	2	129953-01920	JOINT	1							
6A	2	171051-01921	PLUG, NPTF1		1						
7	2	129900-02020	BOLT, METAL CAP	10	10						
10	2	129900-02410	BUSH, CAMSHAFT	1	1						
11	2	22351-060012	PIN, SPRING 6.0X12	2	2						
12	2	23876-030000	PLUG, R03	1	1						
13	2	129900-01250	PLUG, 55	1	1						
14	2	23876-030000	PLUG, R03	1	1						
15	2	27241-300000	PLUG 30	8	8						
16	2	129900-02800	BEARING, MAIN	5	5						
25	2	129900-02930	BEARING, THRUST	2	2						
28	1	129900-01200	BOLT, HEAD	18	18						
29	1	129902-01331	GASKET, HEAD	1	1						
30	1	129900-02340	BEARING, 0.25 US	5	5						1
33	1	129900-02940	BEARING, THRUST 0.25	2	2						2

Remarks

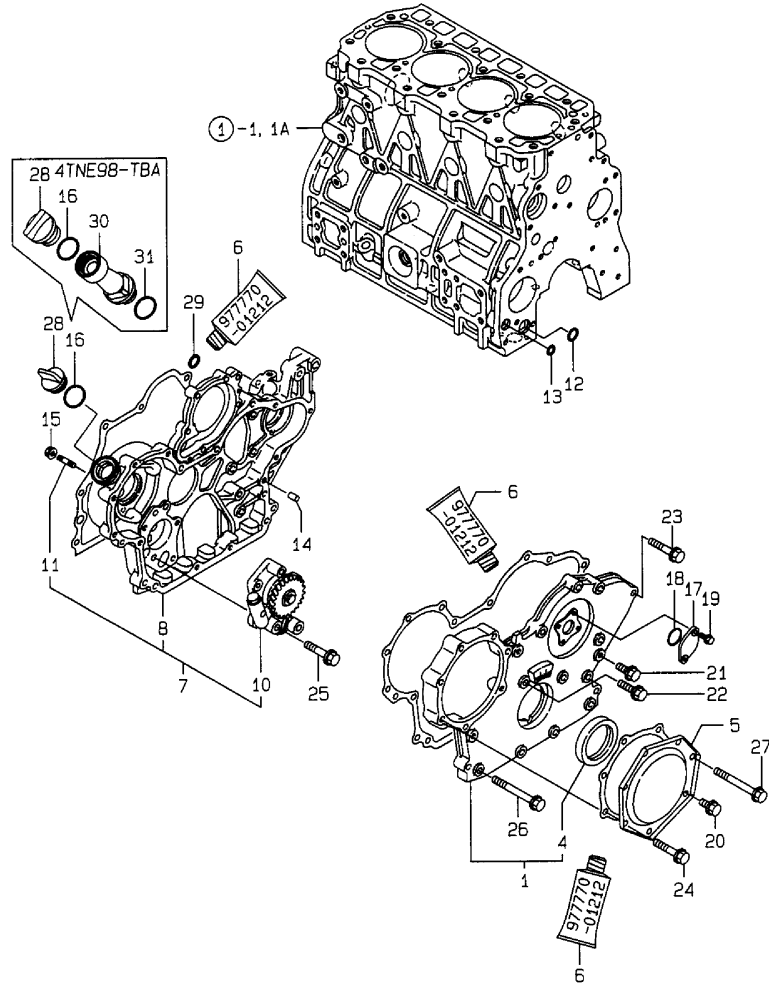
- (1) UNDER-SIZED(U.S=0.25)PART.
- (2) OVER-SIZED(O.S=0.25)PART.

Fig.2. GEAR HOUSING

(A)=4TNE98-TBZ  
 (B)=4TNE98-TBA  
 (C)=

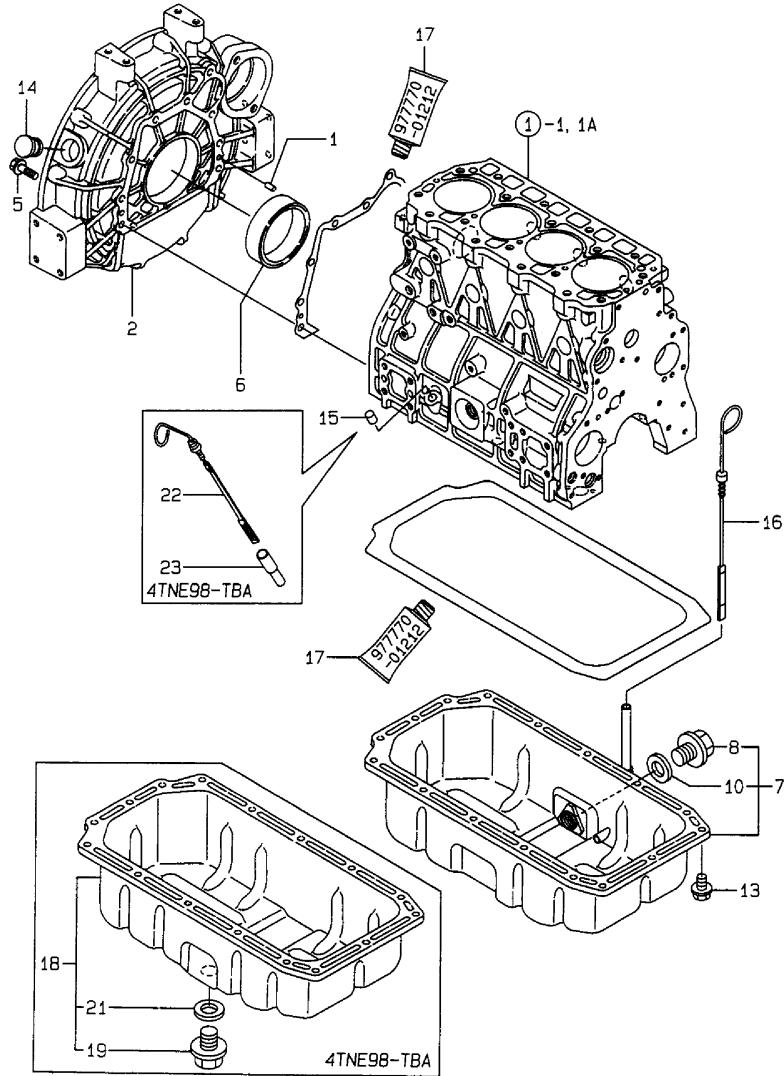
(D)=  
 (E)=  
 (F)=

No.	Lev.	Parts No.	Description	Q'ty						I	R
				(A)	(B)	(C)	(D)	(E)	(F)		
1	1	729900-01570	COVER ASSY,GEAR CASE	1	1						
4	2	129900-01780	SEAL, OIL	1	1						
5	1	129951-01740	COVER	1	1						
6	1	977770-01212	GASKET, LIQUID	1	1						1
7	1	129900-01820	CASE ASSY, GEAR	1	1						
8	2	129900-01400	CASE, GEAR	1	1						
10	2	129900-32000	PUMP ASSY, OIL	1	1						
11	2	26216-100302	STUD, M10X 30	4	4						
12	1	129900-32030	O-RING, P20	1	1						
13	1	129900-32040	O-RING, P14	1	1						
14	1	129100-01580	PIN, M8X16	4	4						
15	1	26366-100002	NUT, M10	4							
15-1	1	26306-100002	NUT, M10	4	4						N
(A=EXXX)											
16	1	24311-000320	O-RING, 1AP32.0	1	1						
17	1	121023-01550	COVER	1	1						
18	1	24341-000240	O-RING, 1AS24.0	1	1						
19	1	26106-060162	BOLT, M6X 16 PLATED	2	2						
20	1	26106-080162	BOLT, M8X 16 PLATED	1	1						
21	1	26106-080202	BOLT, M8X 20 PLATED	3	3						
22	1	26106-080302	BOLT, M8X 30 PLATED	1	1						
23	1	26106-080402	BOLT, M8X 40 PLATED	5	5						
24	1	26106-080402	BOLT, M8X 40 PLATED	5	5						
25	1	26106-080452	BOLT, M8X 45 PLATED	3	3						
26	1	129001-91810	BOLT, M8X70	6	6						
27	1	129001-91810	BOLT, M8X70	1	1						
28	1	124160-01751	COVER, FILLER	1	1						
29	1	24311-000070	O-RING, 1AP7.0	1	1						
30	1	171031-11741	PIPE		1						
31	1	24311-000320	O-RING, 1AP32.0		1						



Remarks  
 (1) OPTIONAL PART.

Fig.3. FLYWHEEL HOUSING & OIL SUMP



(A)=4TNE98-TBZ  
 (B)=4TNE98-TBA  
 (C)=

(D)=  
 (E)=  
 (F)=

No.	Lev.	Parts No.	Description	Q'ty						I	R
				(A)	(B)	(C)	(D)	(E)	(F)		
1	1	129100-01580	PIN, M8X16	2	2						
2	1	129951-01620	HOUSING, FLYWHEEL	1	1						
5	1	26106-100352	BOLT, M10X 35 PLATED	9	9						
6	1	124411-01780	SEAL, HTC95X115X12	1	1						
7	1	129953-01730	SUMP ASSY, OIL	1							
8	2	119640-01640	PLUG, DRAIN M22	1							
10	2	22190-220002	WASHER, SEAL 22	1							
13	1	26106-080122	BOLT, M8X 12 PLATED	21	21						
14	1	119000-01840	PLUG, RUBBER	1	1						
15	1	27225-100140	PLUG, 10X14	1							
16	1	119812-34800	DIPSTICK, OIL	1							
17	1	977770-01212	GASKET, LIQUID	1	1						1
18	1	129953-01710	SUMP ASSY, OIL		1						
19	2	119640-01640	PLUG, DRAIN M22		1						
21	2	22190-220002	WASHER, SEAL 22		1						
22	1	129953-34800	DIPSTICK, OIL		1						
23	1	121520-34810	GUIDE, DIPSTICK		1						

---



---



---



---



---



---



---



---



---



---



---



---



---



---



---



---



---



---



---



---



---



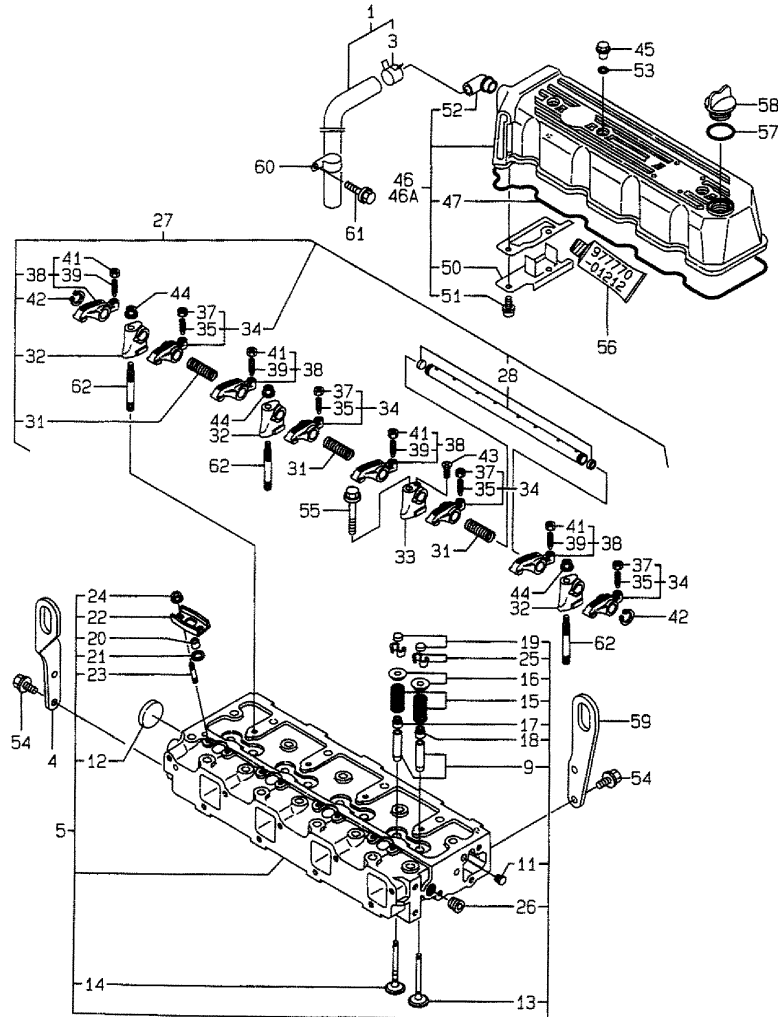
---

Remarks  
 (1) OPTIONAL PART.

Fig.4. CYLINDER HEAD & BONNET

(A)=4TNE98-TBZ  
(B)=4TNE98-TBA  
(C)=

(D)=  
(E)=  
(F)=



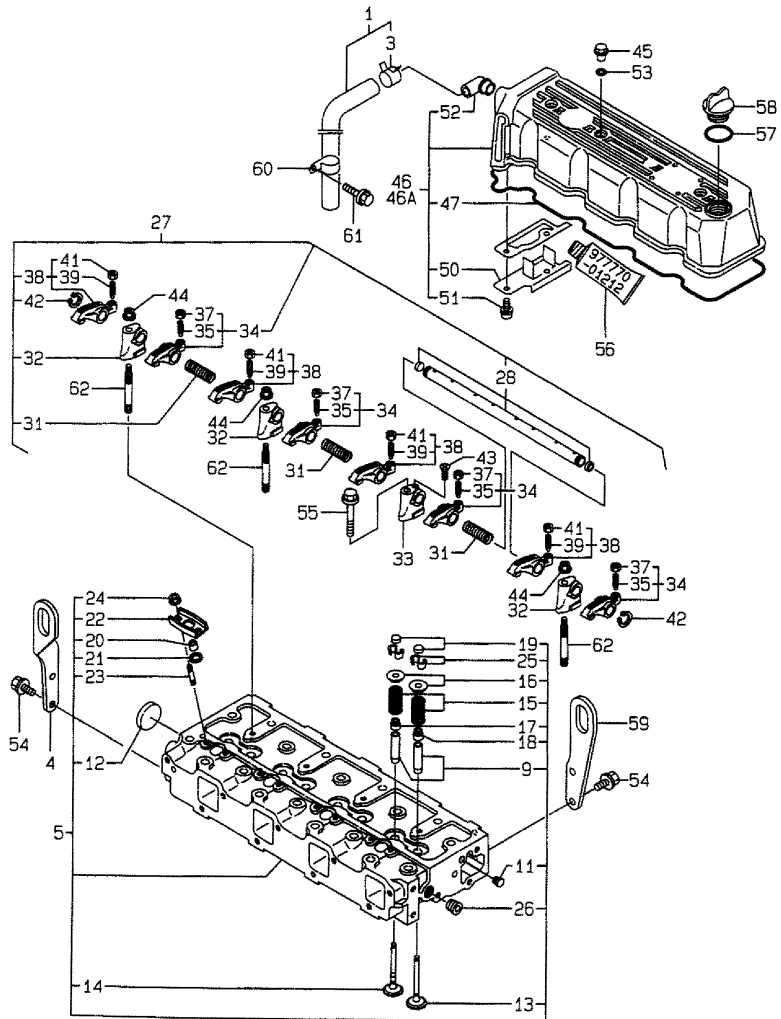
No.	Lev.	Parts No.	Description	Q'ty						I	R
				(A)	(B)	(C)	(D)	(E)	(F)		
1	1	129953-03100	HOSE ASSY, BREATHER	1	1						
3	2	129960-03990	CLIP, HOSE 22	1	1						
4	1	129910-07900	LIFTER	1	1						
5	1	729900-11100	HEAD ASSY, CYLINDER	1	1						
9	2	129150-11810	GUIDE, VALVE	8	8						1
11	2	23871-005000	PLUG, R005	1	1						
12	2	27241-400000	PLUG, 40	1	1						
13	2	129900-11100	VALVE, INTAKE	4	4						
14	2	129900-11110	VALVE, EXHAUST	4	4						
15	2	129900-11120	SPRING, VALVE	8	8						
16	2	129795-11180	RETAINER, SPRING	8	8						
17	2	121400-11340	SEAL, VALVE STEM	4	4						
18	2	124460-11340	SEAL, VALVE STEM	4	4						
19	2	129150-11370	CAP, VALVE	8	8						
20	2	119625-11870	PROTECTOR, NOZZLE	4	4						
21	2	119625-11880	SEAT, NOZZLE	4	4						
22	2	119625-11900	RETAINER, NOZZLE	4	4						
23	2	26216-060202	STUD, M6X 20	8	8						
24	2	26366-060002	NUT, M6	8	8						
25	2	27310-080001	COTTER, 8	8	8						
26	2	23876-030000	PLUG, R03	1	1						
27	1	129900-11200	SUPPORT ASSY, ARM	1	1						
28	2	129900-11240	SHAFT ASSY, ROCKER	1	1						
31	2	129900-11280	SPRING	3	3						
32	2	129900-11510	SUPPORT, ROCKER ARM	3	3						
33	2	129900-11520	SUPPORT, ROCKER ARM	1	1						
34	2	129900-11650	ARM, ROCKER	4	4						
35	3	129150-11230	SCREW, VALVE ADJUST	4	4						
37	3	129150-11750	NUT, M8	4	4						
38	2	129900-11660	ARM, ROCKER	4	4						
39	3	129150-11230	SCREW, VALVE ADJUST	4	4						
41	3	129150-11750	NUT, M8	4	4						
42	2	22242-000180	RING, 18	2	2						
43	2	26577-040162	SCREW, M4X16	1	1						
44	1	26366-100002	NUT, M10	3							
44-1	1	26306-100002	NUT, M10	3	3						N
(A=EXXX)											
45	1	124160-11360	KNOB	3	3						
46	1	129910-11350	BONNET ASSY, HEAD	1							
46A	1	129900-11350	BONNET ASSY, HEAD		1						
47	2	129900-11310	GASKET, BONNET	1	1						
50	2	129900-11600	PLATE, BAFFLE	1	1						
51	2	22857-500100	SCREW, 5X10	2	2						
52	2	119100-11330	ELBOW	1	1						
53	1	24311-000120	O-RING, 1AP12.0	3	3						
54	1	26106-080162	BOLT, M8X 16 PLATED	4	4						
55	1	26106-100652	BOLT, M10X 65 PLATED	1	1						
56	1	977770-01212	GASKET, LIQUID	1	1						2
57	1	24311-000320	O-RING, 1AP32.0	1	1						
58	1	124160-01751	COVER, FILLER	1	1						
59	1	129953-07910	LIFTER	1	1						

Remarks  
(1) REPAIR PART.  
(2) OPTIONAL PART.



Fig.4. CYLINDER HEAD & BONNET

(A)=4TNE98-TBZ  
(B)=4TNE98-TBA  
(C)=  
(D)=  
(E)=  
(F)=



No.	Lev.	Parts No.	Description	Q'ty						I	R
				(A)	(B)	(C)	(D)	(E)	(F)		
60	1	129910-03100	RETAINER, PIPE	1	1						
61	1	26106-080122	BOLT, M8X 12 PLATED	1	1						
62	1	129900-11530	STUD	3	3						

---

---

---

---

---

---

---

---

---

---

---

---

---

---

---

---

---

---

---

---

---

---

---

---

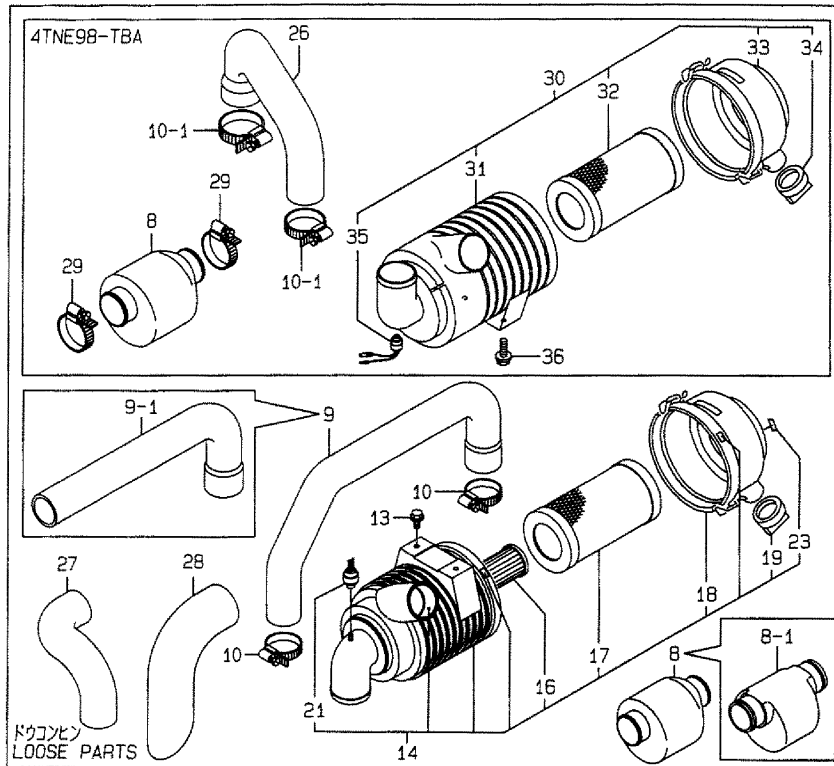
---

Remarks  
(1) REPAIR PART.  
(2) OPTIONAL PART.

Fig.5. SUCTION MANIFOLD & AIR CLEANER

(A)=4TNE98-TBZ  
 (B)=4TNE98-TBA  
 (C)=

(D)=  
 (E)=  
 (F)=



No.	Lev.	Parts No.	Description	Q'ty						I	R
				(A)	(B)	(C)	(D)	(E)	(F)		
1	1	129900-12050	GASKET, MANIFOLD	1	1						
2	1	129900-12100	MANIFOLD, AIR INTAKE	1	1						
4	1	26106-080452	BOLT, M8X 45 PLATED	9	9						
5	1	121850-77021	GASKET	1	1						
6	1	119129-77500	HEATER	1							
7	1	26106-080302	BOLT, M8X 30 PLATED	4							
8	1	119160-12060	SILENCER ASSY	1	1						
8-1	1	119005-12060 (A=E10590)	SILENCER ASSY	1							S
9	1	129953-12210	PIPE, AIR INTAKE	1							
9-1	1	129953-12220 (A=E10590)	PIPE, AIR INTAKE	1							S
10	1	23000-080000	CLAMP, 80	2							
10-1	1	23000-080000 (A=E10590)	CLAMP, 80	4	3						K
11	1	119129-77020	GASKET	1							
12	1	121850-77100	CAPSULE	1							
13	1	26106-080162	BOLT, M8X 16 PLATED	2							
14	1	129953-12500	CLEANER ASSY, AIR	1							
14-1	1	129953-12501 (A=E10590)	CLEANER ASSY, AIR	1							N
16	2	119005-12571	ELEMENT	1							
17	2	129062-12560	ELEMENT	1							
18	2	129900-12530	COVER ASSY	1							
19	2	119808-12540	VALVE, UNLOADER	1							
21	2	119140-12680	INDICATOR	1							
23	2	129612-12650	MARKING,(W)	1							
24	1	129915-77050	HEATER		1						
25	1	26106-080352	BOLT, M8X 35 PLATED		4						
26	1	129953-12200	PIPE, AIR INTAKE		1						
27	1	129953-12230 (A=E10590)	PIPE, AIR INTAKE	1							W
28	1	129953-12240 (A=E10590)	PIPE, AIR INTAKE	1							W
29	1	23000-080000	CLAMP, 80		2						
30	1	129953-12520	CLEANER ASSY, AIR		1						
31	2	129953-12560	BODY		1						
32	2	129062-12560	ELEMENT		1						
33	2	129457-12530	COVER		1						
34	2	119808-12540	VALVE, UNLOADER		1						
35	2	119140-12680	INDICATOR		1						
36	1	26106-080202	BOLT, M8X 20 PLATED		6						

Fig.6. EXHAUST MANIFOLD & SILENCER

(A)=4TNE98-TBZ  
 (B)=4TNE98-TBA  
 (C)=

(D)=  
 (E)=  
 (F)=

No.	Lev.	Parts No.	Description	Qty						I	R
				(A)	(B)	(C)	(D)	(E)	(F)		
1	1	129900-13200	MANIFOLD, EXHAUST	1	1						
3	1	129900-13251	GASKET	1	1						
4	1	26106-080802	BOLT, M8X 80 PLATED	6	6						
5	1	26216-080802	STUD, M8X 80	2	2						
6	1	26366-080002	NUT, M8	2							
6-1	1	26306-080002	NUT, M8	2	2						N
(A=EXXX)											
7	1	129400-13201	GASKET, SILENCER	2	2						
8	1	128300-13230	GASKET, SILENCER	1							
9	1	119131-18320	STUD, M8X22	4	4						
10	1	129953-13550	SILENCER	1							
10-1	1	129953-13551	SILENCER	1							N
(A=EXXX)											
11	1	119129-13500	SILENCER		1						
12	1	23446-050000	GASKET 50		1						

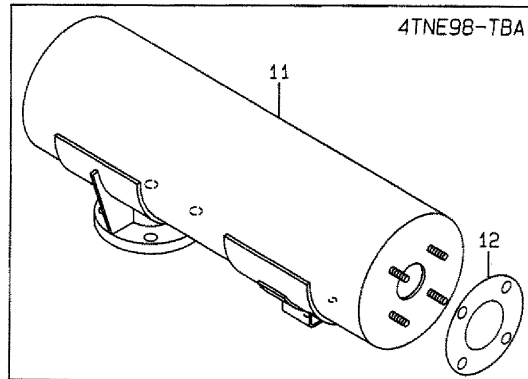
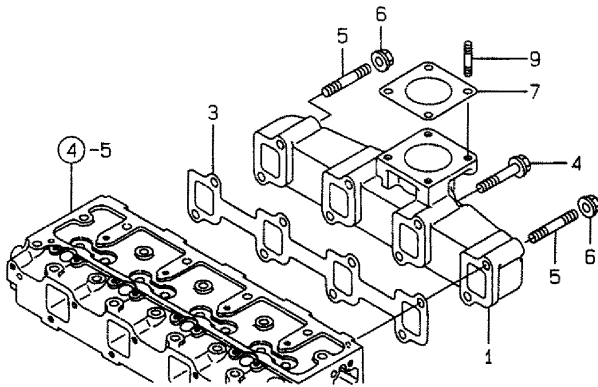
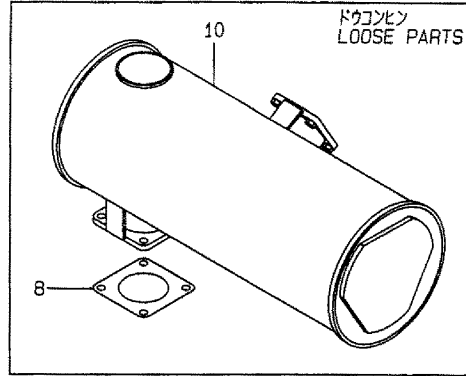
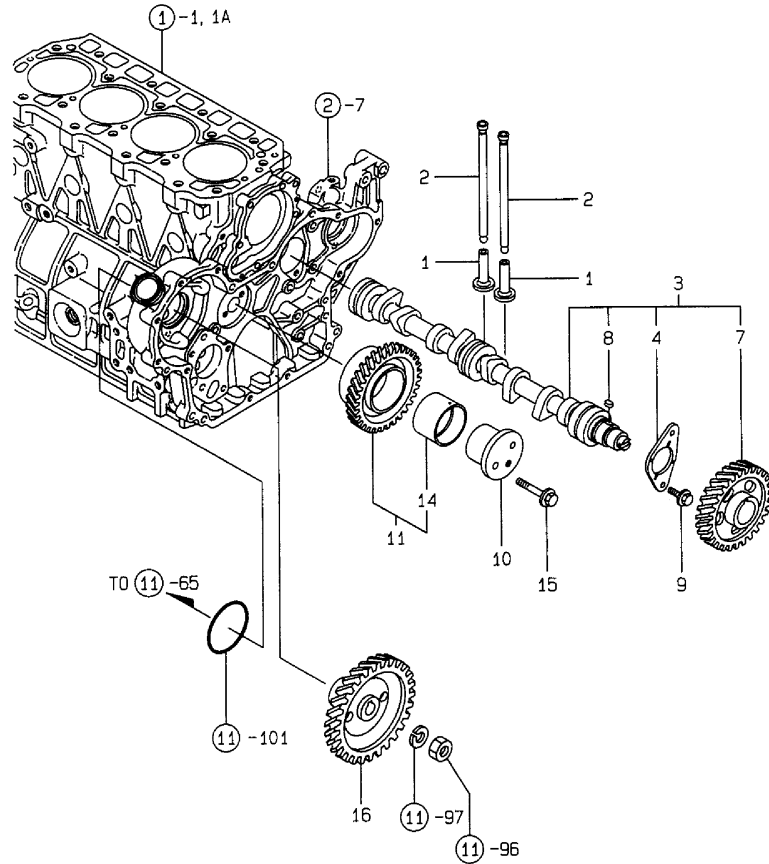


Fig.7. CAMSHAFT & DRIVING GEAR

(A)=4TNE98-TBZ  
 (B)=4TNE98-TBA  
 (C)=

(D)=  
 (E)=  
 (F)=

No.	Lev.	Parts No.	Description	Q'ty						I	R
				(A)	(B)	(C)	(D)	(E)	(F)		
1	1	129150-14200	TAPPET	8	8						
2	1	129900-14400	ROD, PUSH	8	8						
3	1	129900-14580	CAMSHAFT ASSY	1	1						
4	2	129150-02450	BEARING, THRUST	1	1						
7	2	129900-14100	GEAR, CAMSHAFT	1	1						
8	2	22512-070140	KEY, 7X 14	1	1						
9	1	26106-080162	BOLT, M8X 16 PLATED	2	2						
10	1	129900-25060	SHAFT, IDLE	1	1						
11	1	129900-25100	GEAR ASSY, IDLE	1	1						
14	2	129150-25920	BUSH, IDLE GEAR	1	1						1
15	1	26106-080552	BOLT, M8X 55 PLATED	2	2						
16	1	129900-25900	GEAR, PUMP	1	1						

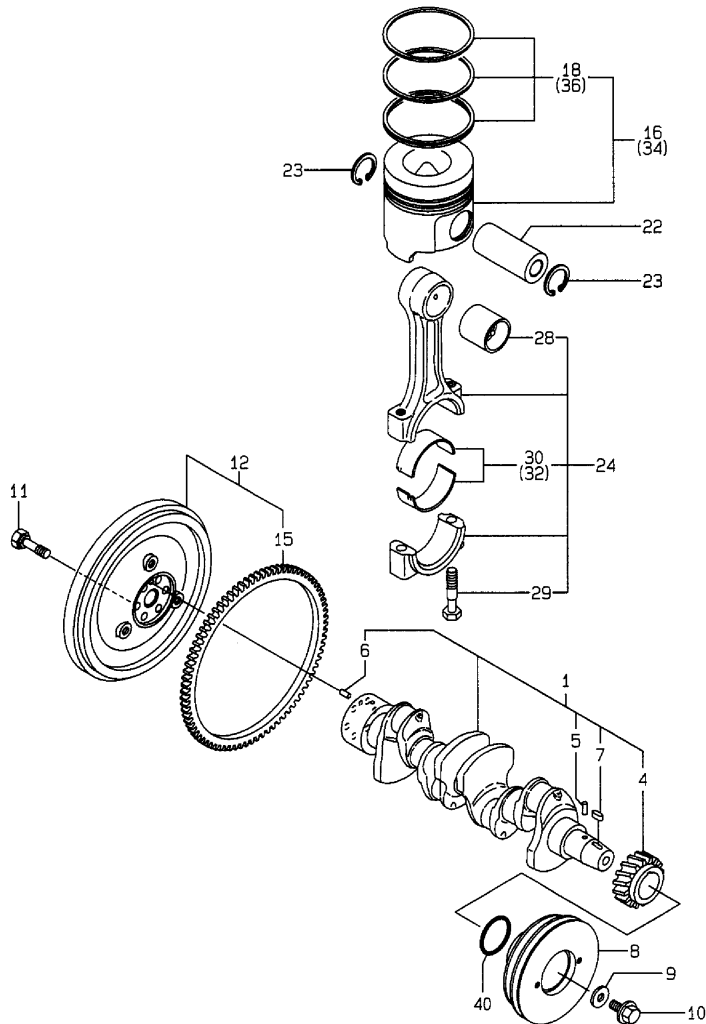


Remarks  
 (1) REPAIR PART.

# Fig.8. CRANKSHAFT & PISTON

(A)=4TNE98-TBZ  
 (B)=4TNE98-TBA  
 (C)=

(D)=  
 (E)=  
 (F)=

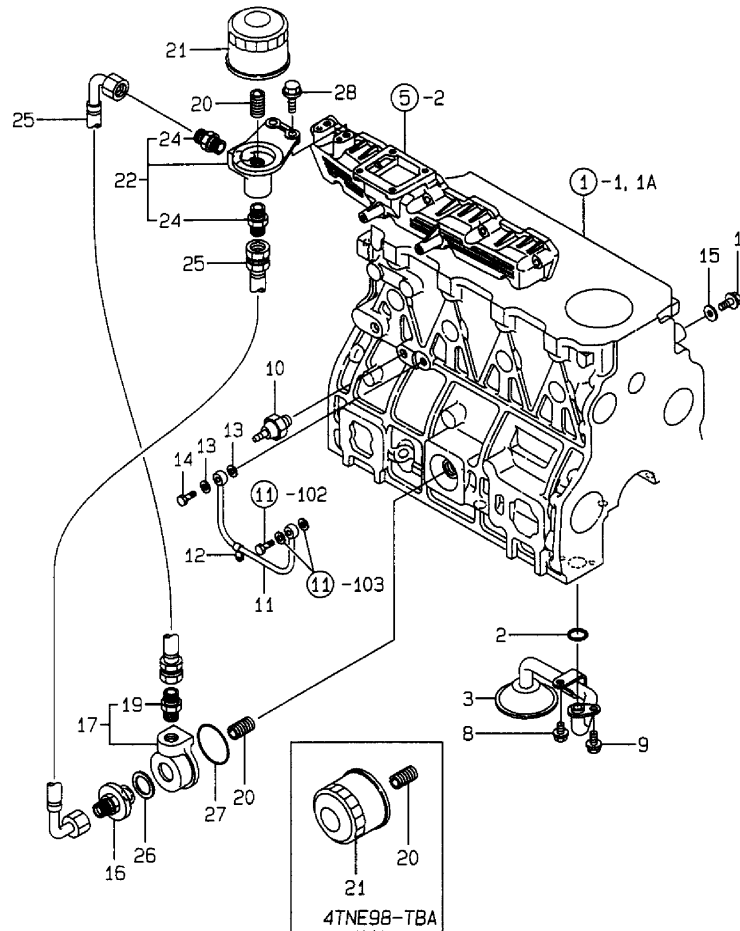


No.	Lev.	Parts No.	Description	Q'ty						I	R
				(A)	(B)	(C)	(D)	(E)	(F)		
1	1	129902-21000	CRANKSHAFT ASSY	1	1						
4	2	129900-21200	GEAR, CRANKSHAFT	1	1						
5	2	121850-21290	PIN	1	1						
6	2	121850-21920	PIN, M10X22	1	1						
7	2	22512-070140	KEY, 7X 14	1	1						
8	1	129953-21610	V-PULLEY	1	1						
8-1	1	129953-21611	V-PULLEY	1	1						N
		(A=EXXXXX) (B=EXXXXX)									
9	1	129960-21640	WASHER	1	1						
10	1	121850-21680	BOLT	1	1						
11	1	121850-21130	BOLT, FLYWHEEL	6	6						
12	1	129902-21580	FLYWHEEL ASSY	1	1						
15	2	127410-21480	GEAR, RING Z=129	1	1						
16	1	129902-22080	PISTON ASSY, DI	4	4						
18	2	129903-22050	RING SET, PISTON	4	4						
22	1	120130-22301	PIN, PISTON	4	4						
23	1	22252-000300	RING, 30	8	8						
24	1	129900-23000	ROD ASSY, CONNECTING	4	4						
28	2	129900-23910	BEARING, PISTON PIN	4	4						1
29	2	129900-23200	BOLT, CONNECTING ROD	8	8						
30	2	129900-23600	BEARING, CRANK PIN	4	4						
32	1	129900-23610	BEARING, 0.25 US	4	4						2
34	1	129902-22900	PISTON ASSY, 0.25 OS	4	4						3
36	2	129903-22950	RING SET, 0.25 OS	4	4						3
40	1	24341-000530	O-RING, 1AS53.0	1	1						

Remarks

- (1) REPAIR PART.
- (2) UNDER-SIZE(U.S=0.25)PART.
- (3) OVER-SIZE(O.S=0.25)PART.

Fig.9. LUB.OIL SYSTEM

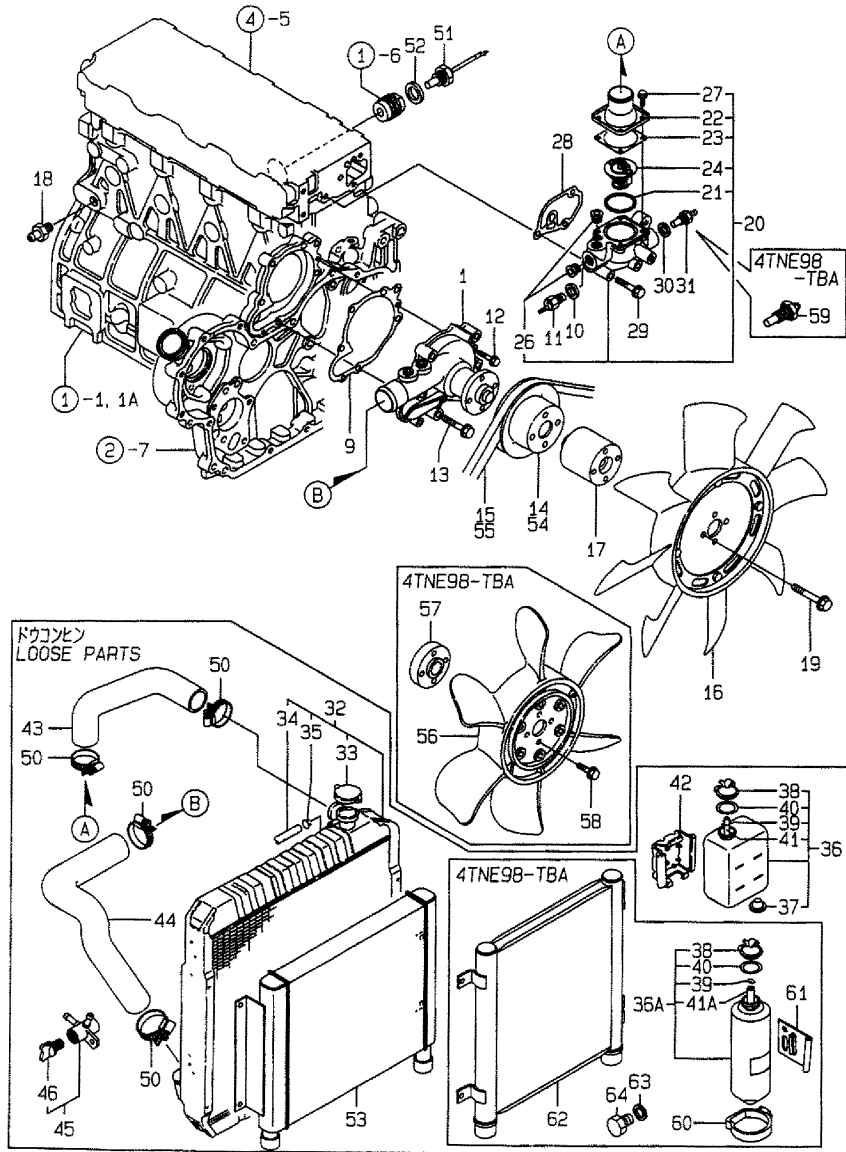


(A)=4TNE98-TBZ  
(B)=4TNE98-TBA  
(C)=

(D)=  
(E)=  
(F)=

No.	Lev.	Parts No.	Description	Q'ty						I	R
				(A)	(B)	(C)	(D)	(E)	(F)		
1	1	26106-080122	BOLT, M8X 12 PLATED	1	1						
2	1	129900-32030	O-RING, P20	1	1						
3	1	129900-35000	PIPE ASSY, OIL INLET	1	1						
8	1	26106-080122	BOLT, M8X 12 PLATED	1	1						
9	1	26106-080162	BOLT, M8X 16 PLATED	1	1						
10	1	114250-39450	SWITCH, 0.5KG	1	1						
11	1	129900-39350	PIPE, OIL	1	1						
12	1	23297-060081	CLAMP, A6X 8	1	1						
13	1	23414-080000	GASKET, 8X1.0	2	2						
14	1	23857-030000	BOLT, JOINT 3	1	1						
15	1	22190-080002	WASHER, SEAL 6	1	1						
16	1	129953-35110	RETAINER	1							
17	1	129953-35120	CASE ASSY	1							
17-1	1	129953-35121	CASE ASSY	1							N
(A=E10882)											
19	2	129953-39500	ADAPTER, R-G1/2	1							
20	1	119000-35140	BOLT, FILTER	2	1						
21	1	129150-35151	FILTER, D80XL80	1	1						
22	1	129953-35210	BRACKET ASSY	1							
24	2	129953-39500	ADAPTER, R-G1/2	2							
25	1	129953-39100	PIPE ASSY, OIL	2							
26	1	22190-300002	WASHER, SEAL 30	1							
27	1	24321-000600	O-RING, 1AG60.0	1							
28	1	26106-100252	BOLT, M10X 25 PLATED	2							

Fig.10. COOLING WATER SYSTEM

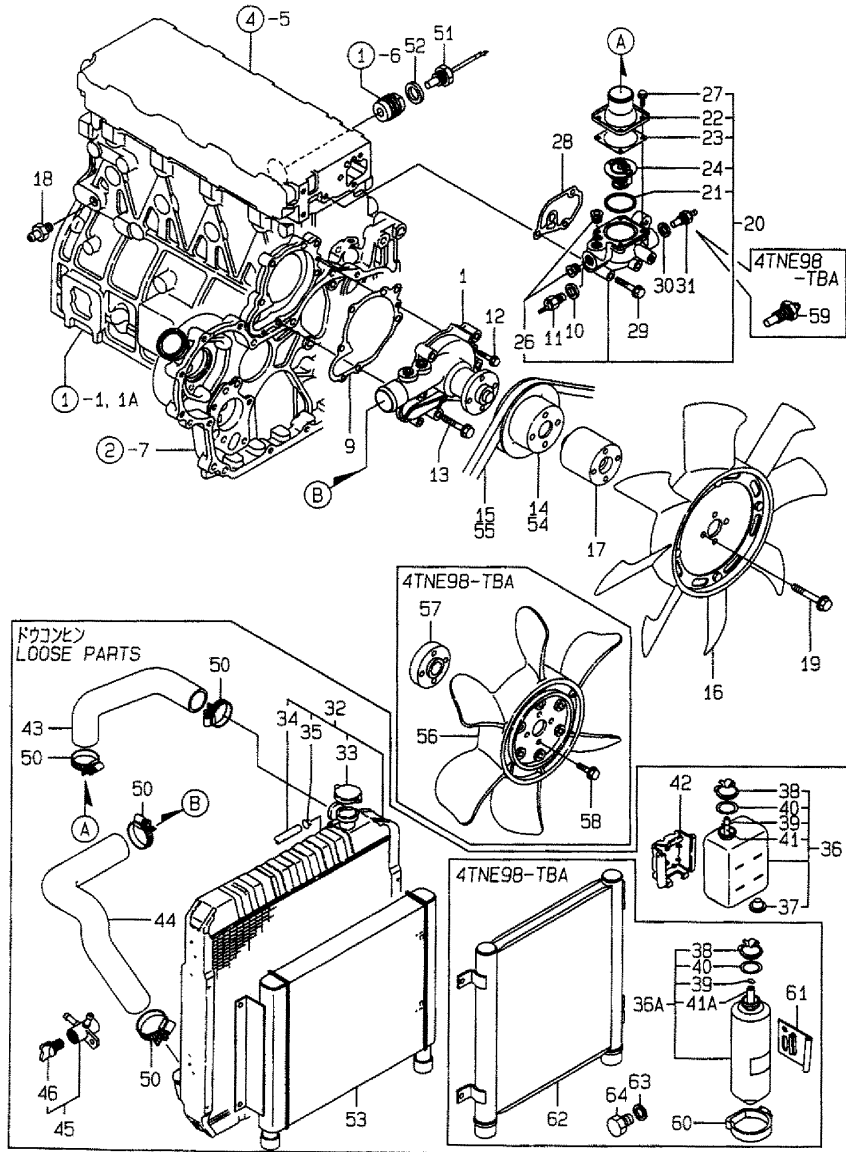


(A)=4TNE98-TBZ  
(B)=4TNE98-TBA  
(C)=

(D)=  
(E)=  
(F)=

No.	Lev.	Parts No.	Description	Q'ty						I	R
				(A)	(B)	(C)	(D)	(E)	(F)		
1	1	129900-42001	PUMP ASSY, WATER	1	1						
9	1	129900-42020	GASKET, WATER PUMP	1	1						
10	1	124465-44950	GASKET, 16	1	1						
11	1	121250-44901	SWITCH, 110	1	1						
12	1	26106-060302	BOLT, M6X 30 PLATED	2	2						
13	1	26106-080552	BOLT, M8X 55 PLATED	5	5						
14	1	129900-42450	V-PULLEY	1							
15	1	25132-004500	V-BELT, A45	1							
16	1	129920-44740	FAN, COOLING	1							
17	1	119117-44760	SPACER, FAN	1							
18	1	121550-49111	JOINT, PT1/4	1	1						
19	1	26106-080802	BOLT, M8X 80 PLATED	4							
20	1	129900-49860	CASE ASSY,THERMOSTAT	1							
20-1	1	129916-49860	CASE ASSY,THERMOSTAT	1	1						N
(A=E12151)											
21	2	121850-49550	GASKET, THERMOSTAT	1	1						
22	2	121850-49530	COVER, THERMOSTAT	1	1						
23	2	121850-49540	GASKET, THERMOSTAT	1	1						
24	2	121850-49810	THERMOSTAT, 71	1							
24-1	2	121850-49800	THERMOSTAT, 82	1	1						N
(A=E12151)											
26	2	23875-030000	PLUG, R03	2	2						
27	2	26106-060142	BOLT, M6X 14 PLATED	4	4						
28	1	129900-49870	GASKET	1	1						
29	1	26106-080602	BOLT, M8X 60 PLATED	3	3						
30	1	129150-49360	GASKET	1	1						
31	1	171056-49351	SENSOR	1							
32	1	129953-44500	RADIATOR ASSY	1							
32A	1	171093-44500	RADIATOR		1						
33	2	119259-44570	CAP, RADIATOR	1	1						
34	2	172187-13921	HOSE, RUBBER	1							
35	2	121250-44590	CLAMP	2	2						
36	1	129466-44510	TANK ASSY, SUB	1							
36A	1	171064-44510	TANK ASSY, SUB		1						
37	2	121468-44540	PLUG, SUB-TANK	1							
38	2	121450-44531	CAP	1	1						
39	2	124450-44560	RETAINER	1	1						
40	2	121470-44581	GASKET	1	1						
41	2	121267-44590	PIPE	1							
41A	2	23065-070225	HOSE 7X 225		1						
42	1	120445-44540	SUPPORT	1							
43	1	129915-49010	PIPE, WATER	1							
44	1	129911-49020	PIPE, WATER	1							
45	1	129150-49100	COCK ASSY, 3-WAY	1	1						
46	2	129150-49080	COCK, DRAIN	1	1						
50	1	23000-054000	CLAMP, 54	4	4						
51	1	129107-44901	SENSOR	1							
52	1	124465-44950	GASKET, 16	1							
53	1	129953-44900	COOLER ASSY, OIL	1							
54	1	129900-42461	V-PULLEY		1						
55	1	25132-004200	V-BELT, A42		1						

Fig.10. COOLING WATER SYSTEM



(A)=4TNE98-TBZ  
(B)=4TNE98-TBA  
(C)=

(D)=  
(E)=  
(F)=

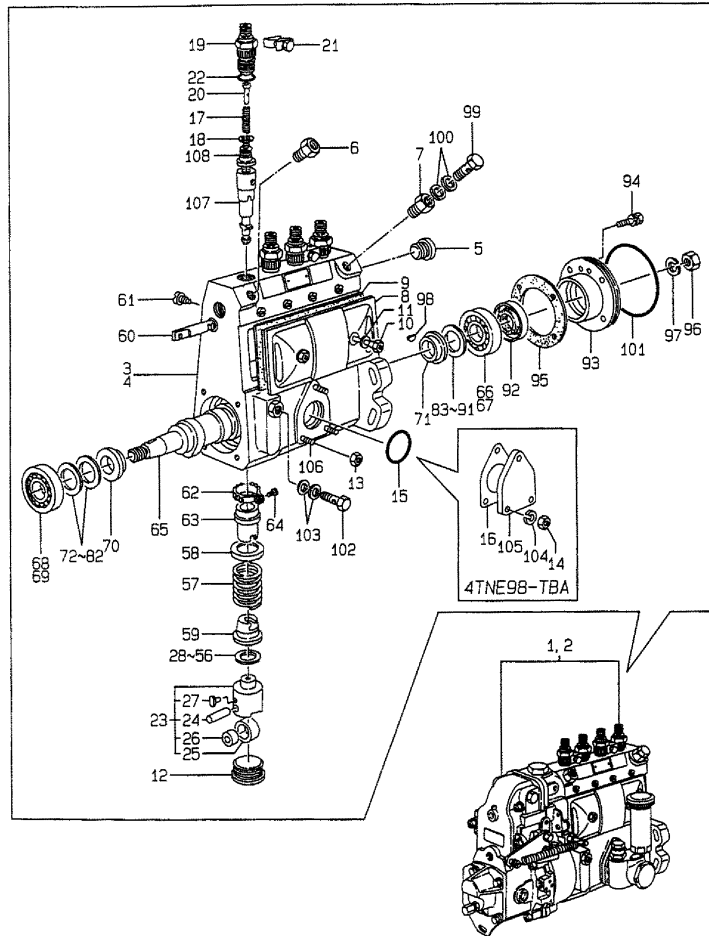
No.	Lev.	Parts No.	Description	Q'ty						I	R
				(A)	(B)	(C)	(D)	(E)	(F)		
56	1	129900-44700	FAN, COOLING D=410		1						
57	1	119130-44760	SPACER, FAN		1						
58	1	26014-080352	BOLT, M8X 35		4						
59	1	119266-49350	SWITCH		1						
60	1	124450-44550	BAND		1						
61	1	121256-44600	BRACKET, SUB TANK		1						
62	1	129953-44930	COOLER ASSY, OIL		1						
63	1	22190-140000	WASHER, SEAL 14		1						
64	1	23887-140002	PLUG M14		1						



Fig.11. FUEL INJECTION PUMP

(A)=4TNE98-TBZ  
(B)=4TNE98-TBA  
(C)=

(D)=  
(E)=  
(F)=



No.	Lev.	Parts No.	Description	Q'ty						I	R
				(A)	(B)	(C)	(D)	(E)	(F)		
1	1	129953-51120	PUMP ASSY, INJECTION	1							1
2	1	129953-51000	PUMP ASSY, INJECTION		1						2
3	2	X1310642220	FLANGED HOUSING	1							
4	2	X1310641621	FLANGED HOUSING		1						
5	2	X1340260000	PLUG	1	1						
6	2	X1310022000	CAP	1	1						
7	2	X1310022000	CAP	1	1						
8	2	X1310286220	COVER	1	1						
9	2	X1310111900	GASKET	1	1						
10	2	X1310171000	SCREW	2	2						
11	2	X0293406020	GASKET	2	2						
12	2	X1310341401	PLUG	4	4						
13	2	X1392060400	NUT	3							
14	2	X0130206040	NUT		3						
15	2	X0296331010	O-RING	1							
16	2	X1310410800	GASKET		1						
17	2	X1311123500	SPRING	4	4						
18	2	X1311151600	GASKET	4	4						
19	2	X1311167600	HOLDER	4	4						
20	2	X1311172300	STOPPER	4	4						
21	2	X1311220520	PLATE	2	2						
22	2	X0296320030	O-RING, 21X17X2	4	4						
23	2	X1312000220	TAPPET	4	4						
24	3	X1312030200	PIN	4	4						
25	3	X1312041000	ROLLER	4	4						
26	3	X1312050500	BUSH	4	4						
27	3	X1312060200	GUIDE	4	4						
28	2	X0293110020	SHIM	1	1						
29	2	X0293110030	SHIM	1	1						
30	2	X0293110040	SHIM	1	1						
31	2	X0293110050	SHIM	1	1						
32	2	X0293110060	SHIM	1	1						
33	2	X0293110070	SHIM	1	1						
34	2	X0293110080	SHIM	1	1						
35	2	X0293110090	SHIM	1	1						
36	2	X0293110110	SHIM	1	1						
37	2	X0293110120	SHIM	1	1						
38	2	X0293110130	SHIM	1	1						
39	2	X0293110140	SHIM	1	1						
40	2	X0293110270	SHIM	1	1						
41	2	X0293110280	SHIM	1	1						
42	2	X0293110290	SHIM	1	1						
43	2	X0293110310	SHIM	1	1						
44	2	X0293110320	SHIM	1	1						
45	2	X0293110330	SHIM	1	1						
46	2	X0293110340	SHIM	1	1						
47	2	X0293110350	SHIM	1	1						
48	2	X0293110490	SHIM	1	1						
49	2	X0293110500	SHIM	1	1						
50	2	X0293110580	SHIM	1	1						
51	2	X0293110590	SHIM	1	1						

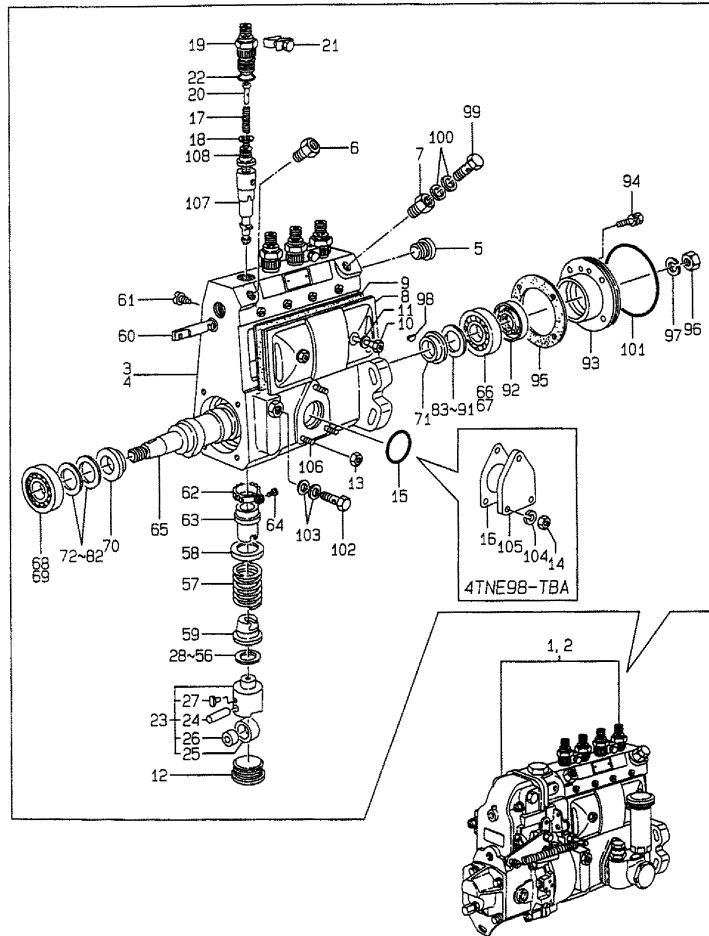
Remarks

- (1) GOVERNOR(FIG.NO.17) & FEED PUMP (FIG.NO.18) IS INCORPORATED IN THIS FUEL INJECTION PUMP (REF.NO.1).
- (2) GOVERNOR(FIG.NO.17) IS INCORPORATED IN THIS FUEL INJECTION PUMP (REF.NO.2).

Fig.11. FUEL INJECTION PUMP

(A)=4TNE98-TBZ  
(B)=4TNE98-TBA  
(C)=

(D)=  
(E)=  
(F)=



No.	Lev.	Parts No.	Description	Q'ty						I	R
				(A)	(B)	(C)	(D)	(E)	(F)		
52	2	X0293110600	SHIM	1	1						
53	2	X0293110610	SHIM	1	1						
54	2	X0293110620	SHIM	1	1						
55	2	X0293110630	SHIM	1	1						
56	2	X0293110710	SHIM	1	1						
57	2	X1312152500	SPRING	4	4						
58	2	X1312160100	SEAT, SPRING	4	4						
59	2	X1312170200	SEAT, SPRING	4	4						
60	2	X1312540600	RACK, CONTROL	1	1						
61	2	X1312260300	SCREW	1	1						
62	2	X1312400100	PINION	4	4						
63	2	X1312410100	SLEEVE, CONTROL	4	4						
64	2	X1312420100	SCREW	4	4						
65	2	X1313612700	CAMSHAFT	1	1						
66	2	X0166402030	BEARING	1	1						
67	2	X0282020020	BEARING	1	1						
68	2	X0166302030	BEARING	1	1						
69	2	X0282017020	BEARING	1	1						
70	2	X1313020300	RING	1	1						
71	2	X1313021000	RING	1	1						
72	2	X0293117010	SHIM	1	1						
73	2	X0293117020	SHIM	1	1						
74	2	X0293117030	SHIM	1	1						
75	2	X0293117040	SHIM	1	1						
76	2	X0293117050	SHIM	1	1						
77	2	X0293117060	SHIM	1	1						
78	2	X0293117070	SHIM	1	1						
79	2	X0293117090	SHIM	1	1						
80	2	X0293117210	SHIM	1	1						
81	2	X0293117220	SHIM	1	1						
82	2	X1394170000	SHIM	1	1						
83	2	X0293120220	SHIM	1	1						
84	2	X0293120230	SHIM	1	1						
85	2	X0293120240	SHIM	1	1						
86	2	X0293120250	SHIM	1	1						
87	2	X0293120260	SHIM	1	1						
88	2	X0293120270	SHIM	1	1						
89	2	X0293120290	SHIM	1	1						
90	2	X0293120300	SHIM	1	1						
91	2	X1394200400	SHIM	1	1						
92	2	X0296220190	SEAL, D30/20 T=6	1	1						
93	2	X1313301800	COVER	1	1						
94	2	X0200062040	BOLT	4	4						
95	2	X1313211900	GASKET	1	1						
96	2	X0131214140	NUT	1	1						
97	2	X0293214010	SPRING WASHER	1	1						
98	2	X0294704030	WOODRUFF KEY	1	1						
99	2	X0297314680	EYE BOLT	1	1						
100	2	X0265141840	GASKET	2	2						
101	2	X0296375020	O-RING	1	1						
102	2	X0297310120	EYE BOLT	1	1						

Remarks

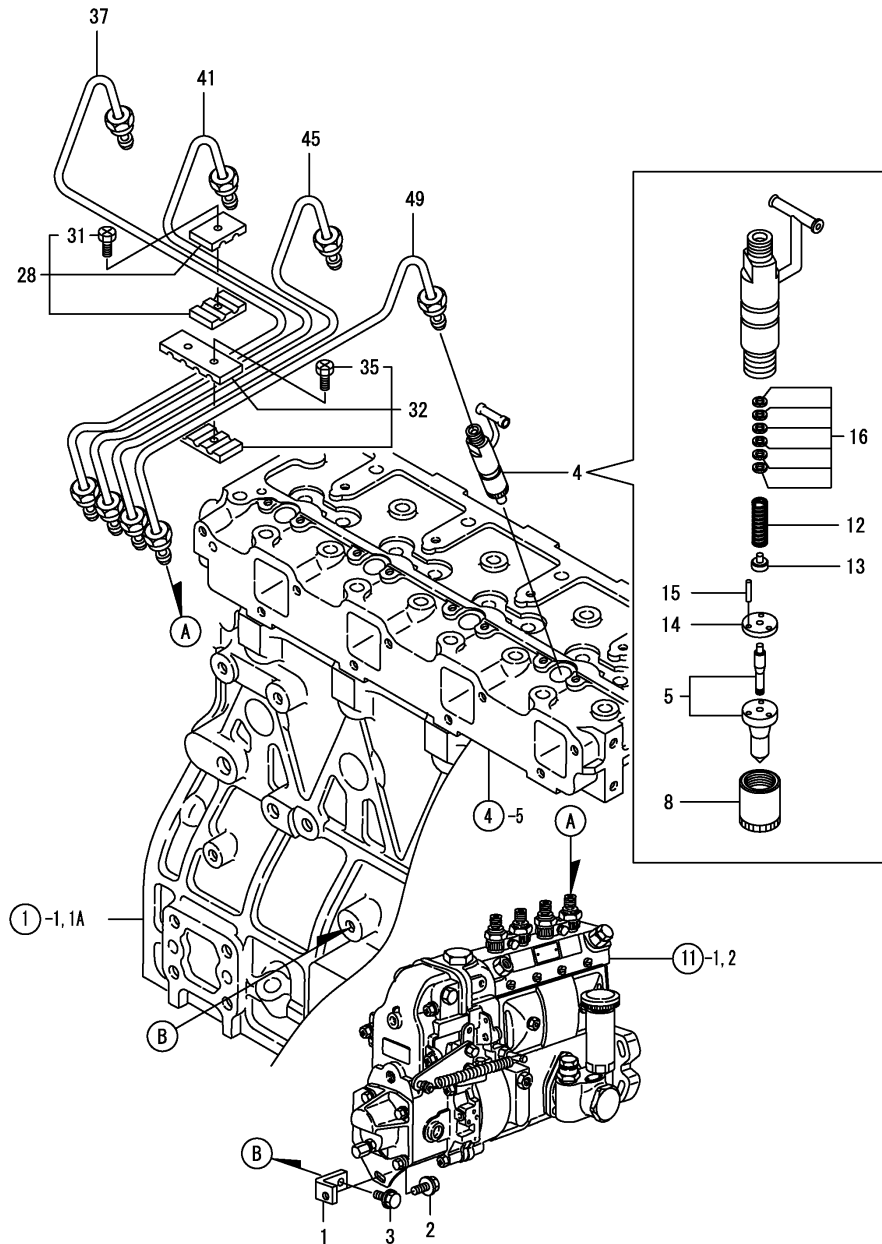
- (1) GOVERNOR(FIG.NO.17) & FEED PUMP (FIG.NO.18) IS INCORPORATED IN THIS FUEL INJECTION PUMP (REF.NO.1).
- (2) GOVERNOR(FIG.NO.17) IS INCORPORATED IN THIS FUEL INJECTION PUMP (REF.NO.2).



Fig.12. FUEL INJECTION VALVE

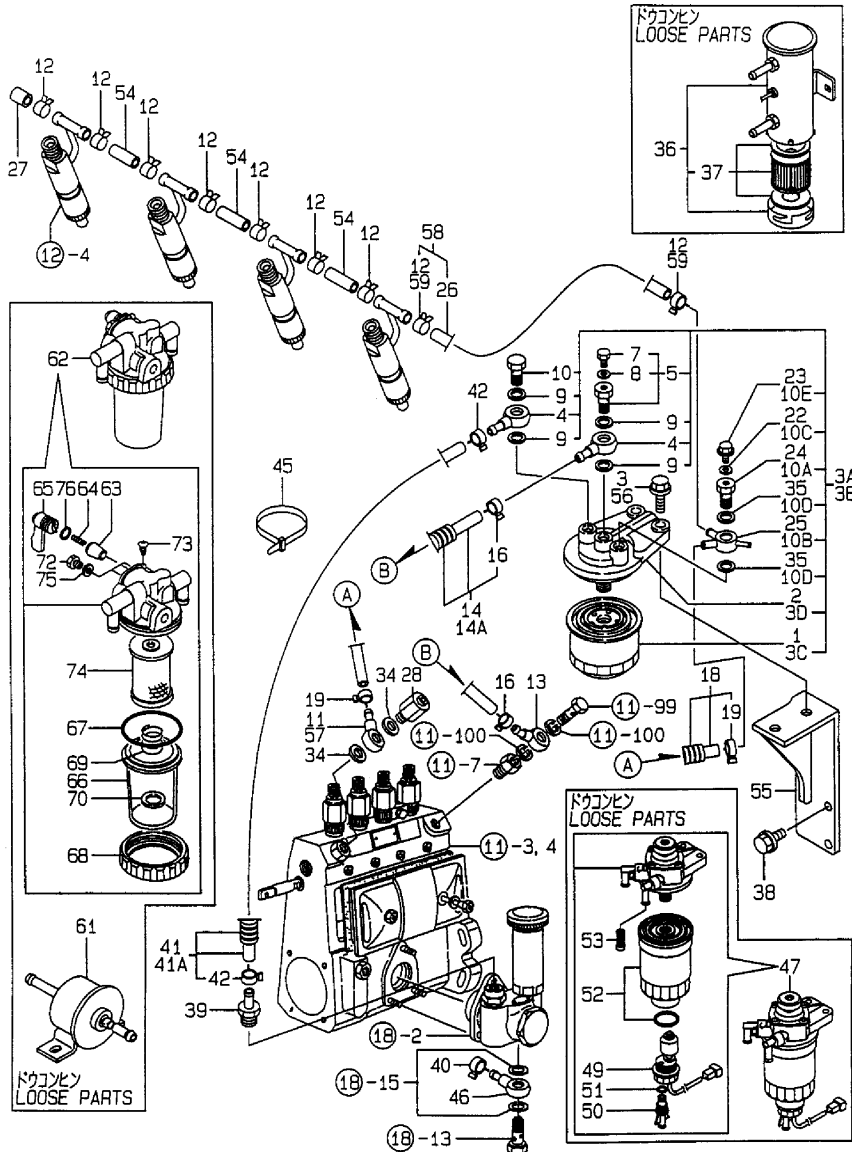
(A)=4TNE98-TBZ  
 (B)=4TNE98-TBA  
 (C)=

(D)=  
 (E)=  
 (F)=



No.	Lev.	Parts No.	Description	Q'ty						I	R
				(A)	(B)	(C)	(D)	(E)	(F)		
1	1	129900-01950	RETAINER	1	1						
2	1	26106-100142	BOLT, M10X 14 PLATED	1	1						
3	1	26106-080202	BOLT, M8X 20 PLATED	1	1						
4	1	729902-53100	VALVE ASSY,INJECTION	4	4						
5	2	129902-53000	VALVE ASSY,INJECTION	4	4						
8	2	114250-53080	NUT, NOZZLE D16.95	4	4						
12	2	114250-53120	SPRING, NOZZLE	4	4						
13	2	114250-53130	SEAT, SPRING	4	4						
14	2	114250-53140	PLATE	4	4						
15	2	114250-53210	PIN	8	8						
16	2	114250-53400	SHIM SET	4	4						
28	1	119305-59120	RETAINER, PIPE	2	2						
31	2	129150-59131	BOLT, M4X14	2	2						
32	1	129550-59120	RETAINER, PIPE	1	1						
35	2	129150-59131	BOLT, M4X14	2	2						
37	1	129910-59810	PIPE ASSY, INJECTION	1	1						
41	1	129910-59820	PIPE ASSY, INJECTION	1	1						
45	1	129910-59830	PIPE ASSY, INJECTION	1	1						
49	1	129910-59840	PIPE ASSY, INJECTION	1	1						

Fig.13. FUEL LINE

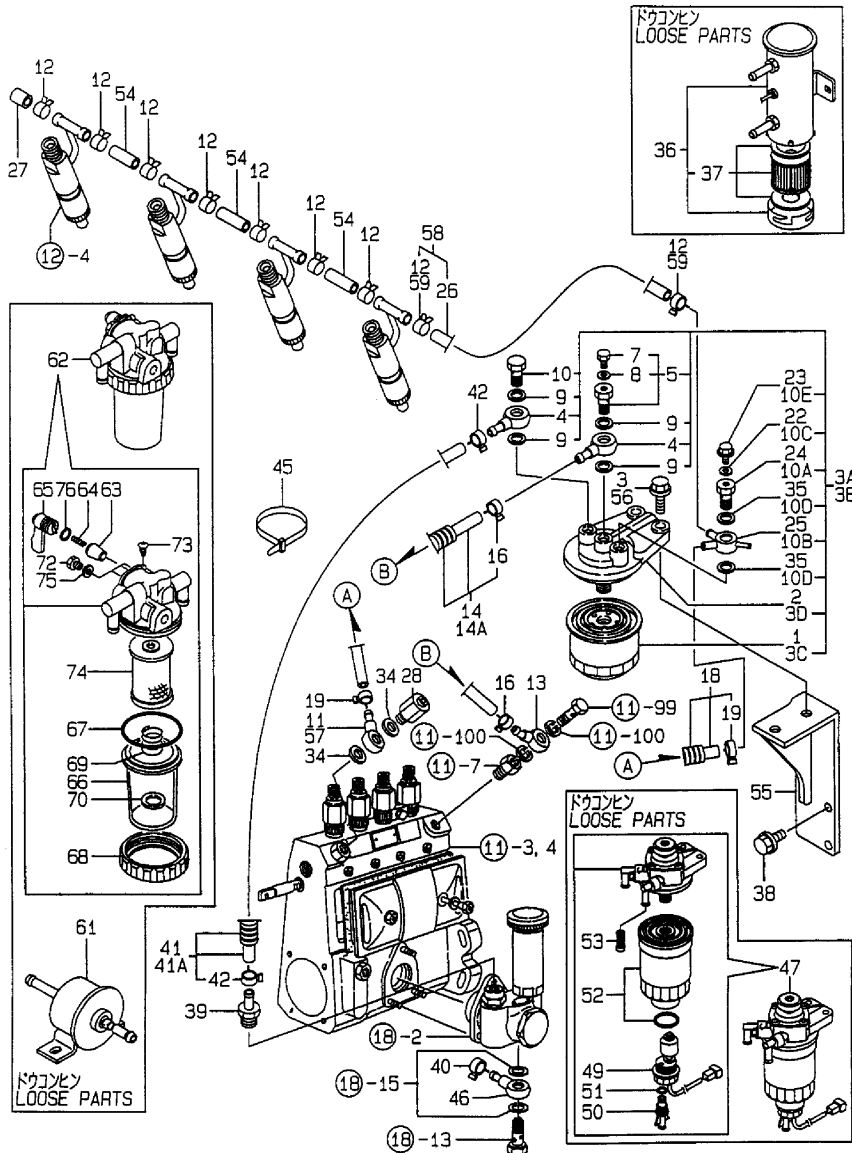


(A)=4TNE98-TBZ  
(B)=4TNE98-TBA  
(C)=

(D)=  
(E)=  
(F)=

No.	Lev.	Parts No.	Description	Q'ty						I	R
				(A)	(B)	(C)	(D)	(E)	(F)		
1	1	119000-55600 (A=E10590)	FILTER, FUEL	1							Z
2	1	129470-55610 (A=E10590)	BODY, STRAINER	1							Z
3	1	26106-100202	BOLT, M10X 20 PLATED	2							
3A	1	129910-55600 (A=E10590)	FILTER ASSY, FUEL	1							W
3B	1	129953-55600	FILTER ASSY, FUEL		1						
3C	2	119000-55600	FILTER, FUEL	1	1						W
3D	2	129470-55610 (A=E10590)	BODY, STRAINER	1	1						W
4	2	101304-59020	JOINT, PIPE 12	2	2						
5	2	103854-59191	BOLT ASSY, JOINT M12	1	1						
7	3	124060-59380	PLUG, 6	1	1						
8	3	22190-060002	WASHER, SEAL 6	1	1						
9	2	22190-120002	WASHER, SEAL 12	4	4						
10	2	23857-060000	BOLT, JOINT 6	1	1						
10A	2	129495-59300 (A=E10590)	BOLT, PIPE JOINT	1	1						W
10B	2	129470-59530 (A=E10590)	JOINT, PIPE	1	1						W
10C	2	22190-080002 (A=E10590)	WASHER, SEAL 6	1	1						W
10D	2	22190-140002 (A=E10590)	WASHER, SEAL 14	2	2						W
10E	2	26106-080102 (A=E10590)	BOLT, M8X 10 PLATED	1	1						W
11	1	129950-59880	JOINT, PIPE	1							
12	1	124066-59100	CLIP, HOSE 8	9	7						
13	1	121855-59880	JOINT, PIPE	1	1						
14	1	129961-59310	PIPE ASSY, FUEL	1							
14A	1	129210-59170	PIPE ASSY, FUEL		1						
16	2	124766-59050	CLIP, HOSE 12	2	2						
18	1	129950-59211	PIPE, FUEL	1							
19	2	124766-59050	CLIP, HOSE 12	2							
22	1	22190-080002 (A=E10590)	WASHER, SEAL 6	1							Z
23	1	26106-080102 (A=E10590)	BOLT, M8X 10 PLATED	1							Z
24	1	129495-59300 (A=E10590)	BOLT, PIPE JOINT	1							Z
25	1	129470-59530 (A=E10590)	JOINT, PIPE	1							Z
26	1	124950-59560	PIPE, RETURN L=280	1							
27	1	129150-59580	CAP	1	1						
28	1	128300-59910	VALVE ASSY, OVERFLOW	1	1						
34	1	22190-140002	WASHER, SEAL 14	2	2						
35	1	22190-140002 (A=E10590)	WASHER, SEAL 14	2							Z
36	1	129953-52100	PUMP ASSY, FUEL FEED	1							

Fig.13. FUEL LINE



(A)=4TNE98-TBZ  
(B)=4TNE98-TBA  
(C)=

(D)=  
(E)=  
(F)=

No.	Lev.	Parts No.	Description	Qty						I	R
				(A)	(B)	(C)	(D)	(E)	(F)		
37	2	129535-52150	FILTER ASSY	1							
38	1	26106-080162	BOLT, M8X 16 PLATED	2							
39	1	121250-49110	JOINT, PIPE	1							
40	1	124766-59050	CLIP, HOSE 12	4							
41	1	129950-59211	PIPE, FUEL	1							
41A	1	129210-59110	PIPE ASSY, FUEL		1						
42	2	124766-59050	CLIP, HOSE 12	2	2						
45	1	121750-59890	BAND, 140	2							
46	1	121855-59880	JOINT, PIPE	1	1						
47	1	129901-55800	FILTER ASSY, FUEL	1							
49	2	129901-55820	SENSOR ASSY	1							
50	2	129901-55830	PLUG, DRAIN	1							
51	2	129901-55840	O-RING	1							
52	2	129901-55850	ELEMENT KIT	1							
53	2	129901-55860	FILTER, PRE	1							
54	1	121250-59550	PIPE, FUEL D8X120	3	3						
55	1	129951-55561	BRACKET, FILTER	1							
56	1	26106-100252	BOLT, M10X 25 PLATED		2						
57	1	121855-59880	JOINT, PIPE		1						
58	1	105225-59500	PIPE ASSY, RETURN		1						
59	2	124066-59100	CLIP, HOSE 8		2						
61	1	119225-52102	PUMP ASSY, FUEL FEED		1						
62	1	129335-55700	SEPARATOR ASSY, WATER		1						
63	2	104200-55321	VALVE, TAPER		1						
64	2	104200-55330	SPRING, VALVE		1						
65	2	104200-55341	HANDLE		1						
66	2	124064-55510	COVER		1						
67	2	102103-55520	O-RING		1						
68	2	110250-55610	RING, RETAINING		1						
69	2	121257-55720	SPRING		1						
70	2	121257-55731	FLOAT		1						
72	2	101720-55750	PLUG, 6		2						
73	2	104200-55750	SCREW, M4		1						
74	2	171081-55910	SCREEN		1						
75	2	23418-060000	GASKET, 6X1.0		2						
76	2	24311-240100	O-RING, 1AP10A		1						

Fig.14. STARTING MOTOR

(A)=4TNE98-TBZ  
 (B)=4TNE98-TBA  
 (C)=

(D)=  
 (E)=  
 (F)=

No.	Lev.	Parts No.	Description	Qty						I	R
				(A)	(B)	(C)	(D)	(E)	(F)		
1	1	119131-77010	STARTING MOTOR	1							
2	2	119131-77400	ARMATURE ASSY	1							
3	3	171008-77410	BEARING(1)	1							
4	3	119131-77420	BALL BEARING	1							
5	2	121254-77810	COVER, TERMINAL	1							
6	2	119131-77440	COIL ASSY, FIELD	1							
7	3	171008-77450	SCREW	4							
8	3	119131-77450	BRUSH (+)	2							
9	2	119131-77460	COVER ASSY, REAR	1							
10	3	119131-77470	BUSH	1							
11	2	119131-77480	HOLDER ASSY, BRUSH	1							
12	3	119131-77500	BRUSH (-)	2							
13	3	119131-77490	SPRING, BRUSH	4							
14	2	119131-77510	PINION	1							
15	3	119131-77520	CLUTCH ASSY	1							
16	4	119131-77530	BALL BEARING	2							
17	3	119131-77540	PINION SHAFT	1							
18	2	119131-77550	STOPPER KIT, PINION	1							
22	2	119131-77590	SWITCH, MAGNETIC	1							
23	2	119131-77600	CASE ASSY, GEAR	1							
24	3	119131-77610	METAL, GEAR CASE	1							
25	2	119131-77620	LEVER SET, SHIFT	1							
28	2	119131-77650	COVER SET, DUST	1							
32	2	129400-77640	BOLT, THROUGH	2							
33	2	26014-060162	BOLT, M6X 16	3							
34	2	119131-77690	BOLT M 6X 45 PLATED	2							
35	2	26557-040102	SCREW, M4X10	2							
36	1	26116-120302	BOLT, M12X 30 PLATED	2							
37	1	124550-77030	COVER, TERMINAL	1							

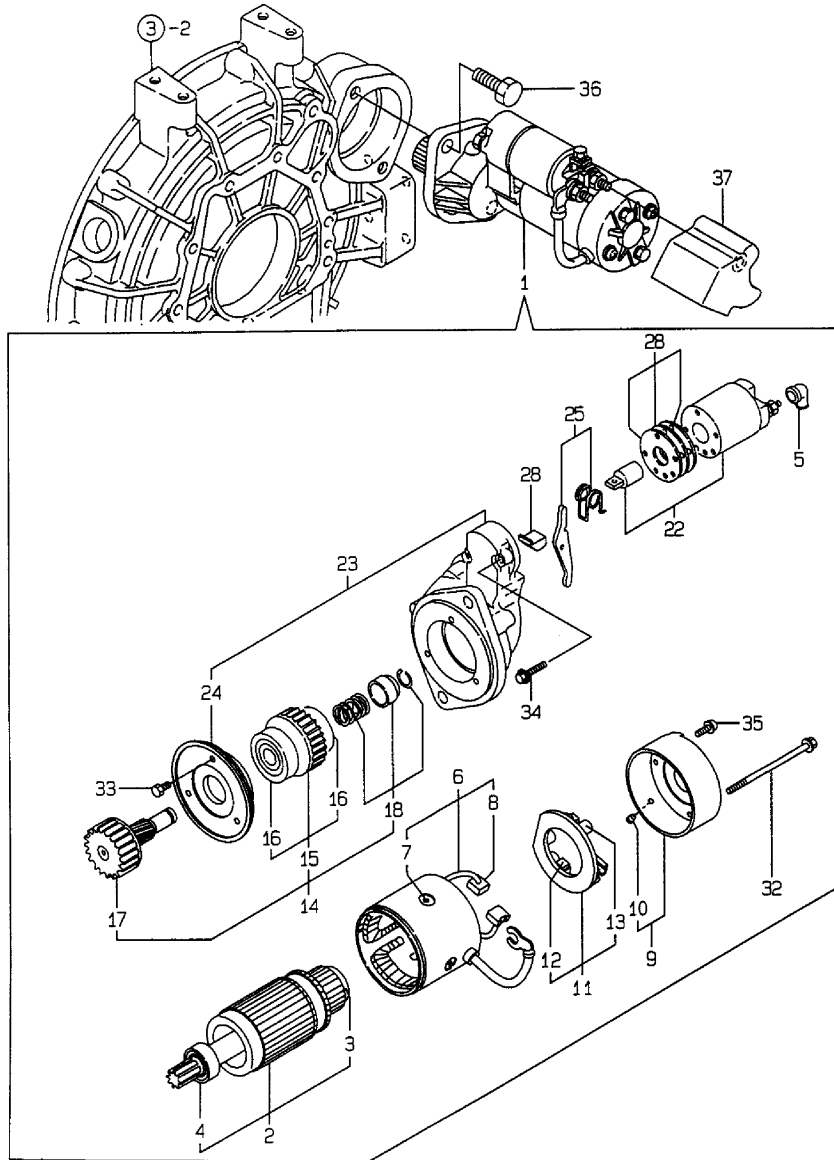
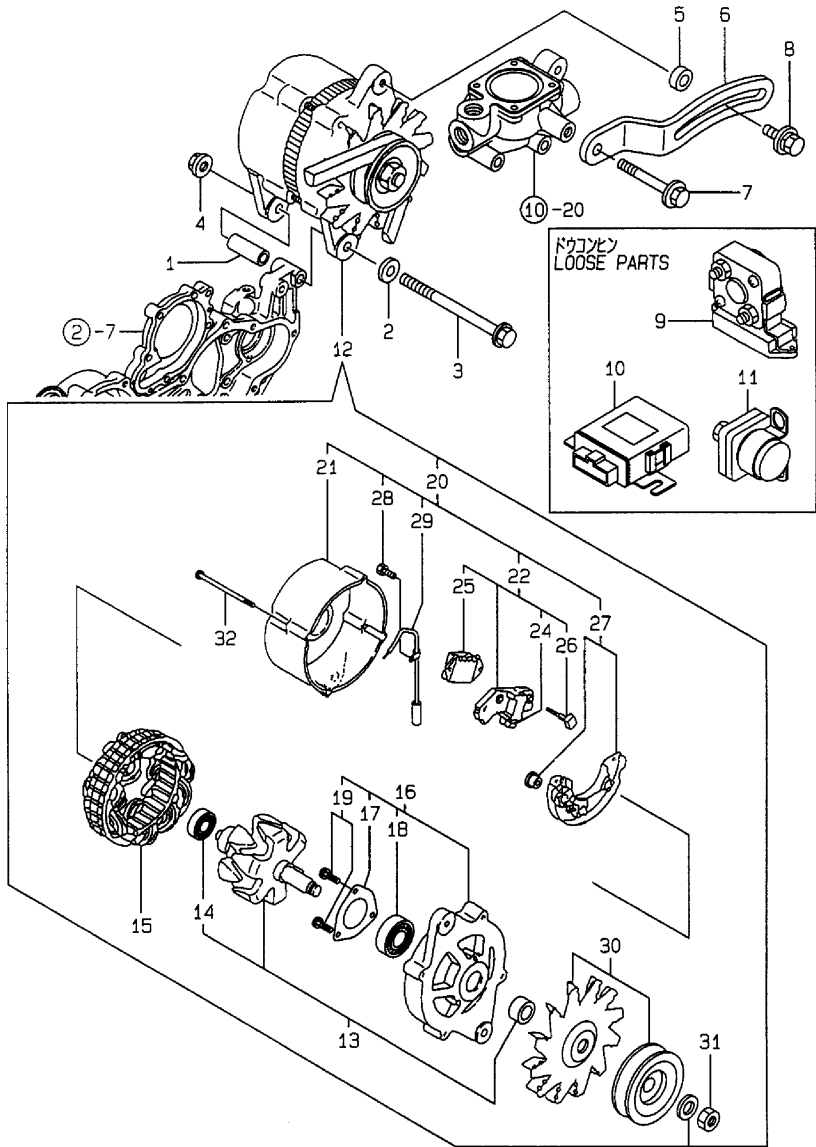


Fig.15. GENERATOR



(A)=4TNE98-TBZ  
(B)=4TNE98-TBA  
(C)=

(D)=  
(E)=  
(F)=

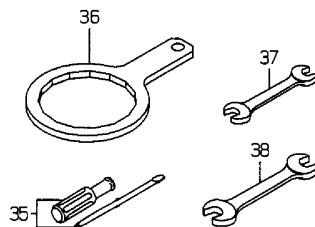
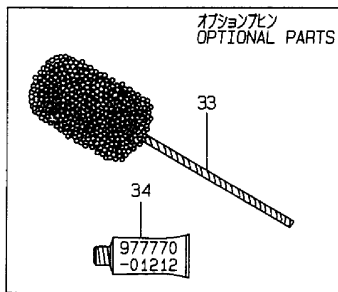
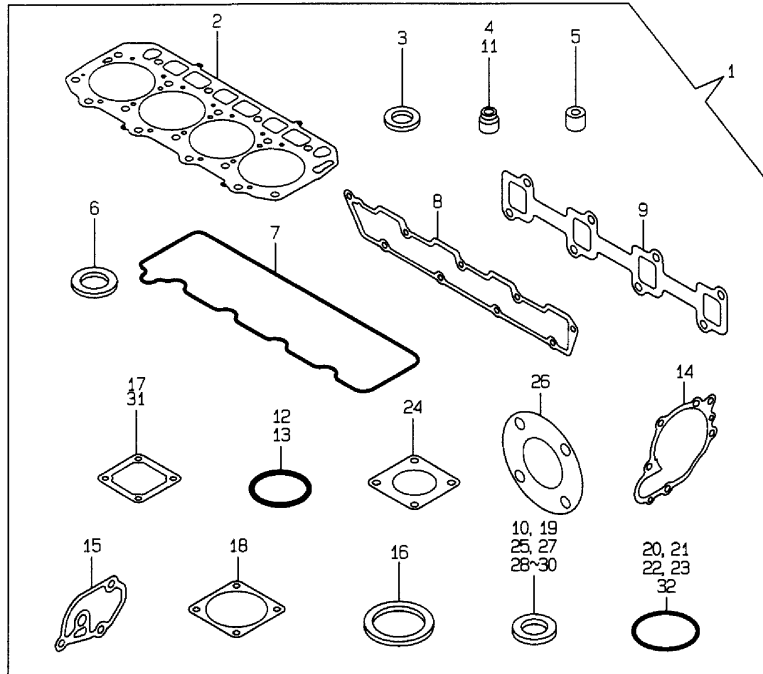
No.	Lev.	Parts No.	Description	Q'ty						I	R
				(A)	(B)	(C)	(D)	(E)	(F)		
1	1	129470-77340	PIECE, DISTANCE	1							
2	1	22137-100000	WASHER, 10	1							
3	1	26116-101202	BOLT, M10X120 PLATED	1							
4	1	26366-100002	NUT, M10	1							
4-1	1	26306-100002	NUT, M10	1							N
(A=EXXX)											
5	1	106500-44810	SPACER	1							
6	1	129953-77330	ADJUSTER	1							
7	1	119810-77340	BOLT, ADJUSTER	1							
8	1	26014-080252	BOLT, M8X 25	1							
9	1	129900-77100	RELAY, SAFETY	1							
10	1	119503-77520	CONTROLLER	1							
11	1	127488-77530	RELAY, GROW	1							
12	1	129953-77210	ALTERNATOR ASSY	1							
13	2	XL240G5100	ROTOR ASSY	1							
14	3	119129-77320	BALL BEARING	1							
15	2	XL24092001	STATOR ASSY	1							
16	2	XL2351400	COVER ASSY, FRONT	1							
17	3	119129-77870	RETAINER, BEARING	1							
18	3	119129-77850	BALL BEARING	1							
19	3	119129-77930	SCREW KIT	1							
20	2	XL240G23001	REAR COVER ASSY	1							
21	3	XL240G4301	REAR COVER	1							
22	3	XL23513151	BRUSH REGULATOR ASSY	1							
24	4	XL15023252	BRUSH SET	1							
25	4	119129-77820	REGULATOR ASSY, I.C.	1							
26	4	XL1501313	BOLT(M5	2							
27	3	XL17093201	DIODE ASSY	1							
28	3	26116-050122	BOLT, M5X 12 PLATED	1							
29	3	119129-77250	WIRE, LEAD	1							
30	2	129535-77880	PULLEY	1							
31	2	XL2252805	NUT ASSY, PULLEY	1							
32	2	119129-77890	BOLT, THROUGH	4							



Fig.16. GASKET SET

(A)=4TNE98-TBZ  
 (B)=4TNE98-TBA  
 (C)=

(D)=  
 (E)=  
 (F)=



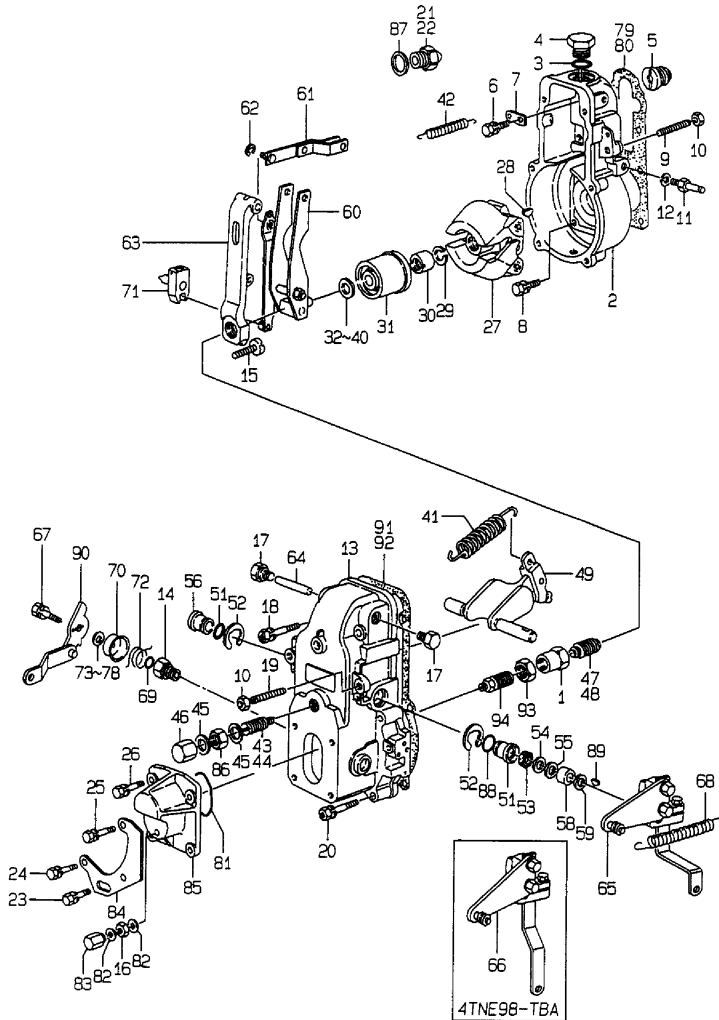
No.	Lev.	Parts No.	Description	Q'ty						I	R
				(A)	(B)	(C)	(D)	(E)	(F)		
1	1	729902-92690	GASKET SET	1	1						1
2	2	129902-01331	GASKET, HEAD	1	1						
3	2	22190-220002	WASHER, SEAL 22	1	1						
4	2	124460-11340	SEAL, VALVE STEM	4	4						
5	2	119625-11870	PROTECTOR, NOZZLE	4	4						
6	2	119625-11880	SEAT, NOZZLE	4	4						
7	2	129900-11310	GASKET, BONNET	1	1						
8	2	129900-12050	GASKET, MANIFOLD	1	1						
9	2	129900-13251	GASKET	1	1						
10	2	23414-080000	GASKET, 8X1.0	2	2						
11	2	121400-11340	SEAL, VALVE STEM	4	4						
12	2	129900-32030	O-RING, P20	2	2						
13	2	129900-32040	O-RING, P14	1	1						
14	2	129900-42020	GASKET, WATER PUMP	1	1						
15	2	129900-49870	GASKET	1	1						
16	2	121850-49550	GASKET, THERMOSTAT	1	1						
17	2	121850-77021	GASKET	1	1						
18	2	121850-49540	GASKET, THERMOSTAT	1	1						
19	2	124465-44950	GASKET, 16	2	2						
20	2	24311-000070	O-RING, 1AP7.0	1	1						
21	2	24311-000120	O-RING, 1AP12.0	3	3						
22	2	24341-000240	O-RING, 1AS24.0	1	1						
23	2	24311-000320	O-RING, 1AP32.0	3	3						
24	2	129400-13201	GASKET, SILENCER	2	2						
25	2	22190-080002	WASHER, SEAL 6	1	1						
26	2	128300-13230	GASKET, SILENCER	1	1						
27	2	129150-49360	GASKET	1	1						
28	2	22190-060002	WASHER, SEAL 6	1	1						
29	2	22190-120002	WASHER, SEAL 12	4	4						
30	2	22190-140002	WASHER, SEAL 14	4	4						
31	2	119129-77020	GASKET	1	1						
32	2	24321-000600	O-RING, 1AG60.0	1	1						
33	1	129400-92440	HONE	1	1						1
34	1	977770-01212	GASKET, LIQUID	1	1						1
35	1	104200-92350	DRIVER, SCREW	1	1						
36	1	119640-92750	WRENCH, FILTER 80	1	1						
37	1	28110-100120	SPANNER, 10X12	1	1						
38	1	28110-140170	SPANNER, 14X17	1	1						

Remarks  
 (1) OPTIONAL PART.

Fig.17. GOVERNOR

(A)=4TNE98-TBZ  
(B)=4TNE98-TBA  
(C)=

(D)=  
(E)=  
(F)=



No.	Lev.	Parts No.	Description	Q'ty						I	R
				(A)	(B)	(C)	(D)	(E)	(F)		
1	2	X0292016010	NUT	1	1						
2	2	X1540006400	FLANGED HOUSING	1	1						
3	2	X0296325070	O-RING	1	1						
4	2	X1540072900	PLUG	1	1						
5	2	X1540070200	ADAPTOR	1	1						
6	2	X0200181840	BOLT	1	1						
7	2	X1543501900	PLATE	1	1						
8	2	X0290106810	BOLT	6	6						
9	2	X1540100100	SCREW	1	1						
10	2	X1540110100	NUT	2	2						
11	2	X1540132320	BOLT	1	1						
12	2	X0141108440	SPRING WASHER	1	1						
13	2	X1545001020	COVER	1	1						
14	2	X1543210400	BUSH	1	1						
15	2	X1540313000	SCREW	1	1						
16	2	X1392060600	NUT	1	1						
17	2	X1540360300	PLUG	2	2						
18	2	X0201065040	BOLT	2	2						
19	2	X1540100100	SCREW	1	1						
20	2	X0201063840	BOLT	4	4						
21	2	X1530205220	LIMITER	1							
22	2	X1554045120	LIMITER		1						
23	2	X0290206260	BOLT	1	1						
24	2	X0290206260	BOLT	1	1						
25	2	X0200062040	BOLT	1	1						
26	2	X0200061640	BOLT	1	1						
27	2	X1541010020	FLYWAIGHT ASSY.	1	1						
28	2	X0258031610	WOODRUFF KEY	1	1						
29	2	X0293212020	SPRING WASHER	1	1						
30	2	X0292312030	NUT	1	1						
31	2	X1541230120	SLEEVE	1	1						
32	2	X0293110010	SHIM T0.2 D14/10.1	1	1						
33	2	X0293110180	SHIM T0.3 D14/10.1	1	1						
34	2	X0293110190	SHIM T0.4 D14/10.1	1	1						
35	2	X0293110210	SHIM T1.0 D14/10.1	1	1						
36	2	X1394100000	SHIM T0.5 D14/10.1	1	1						
37	2	X1394100100	SHIM T1.5 D14/10.1	1	1						
38	2	X1394103000	SHIM T2.0 D14/10.1	1	1						
39	2	X1394103100	SHIM T3.0 D14/10.1	1	1						
40	2	X1394103200	SHIM T4.0 D14/10.1	1	1						
41	2	X1541502900	SPRING	1	1						
42	2	X1541540701	SPRING	1	1						
43	2	X1541580920	CAPSULE, SPRING	1							
44	2	X1541581220	CAPSULE, SPRING		1						
45	2	X0265121540	GASKET	2	2						
46	2	X1541591200	NUT, CAP	1	1						
47	2	X1541856120	SPRING	1							
48	2	X1541771220	SPRING		1						
49	2	X1542006920	LEVER	1	1						
50	2	X1542044300	BUSH	1							
51	2	X1542043000	BUSH		1						

Remarks

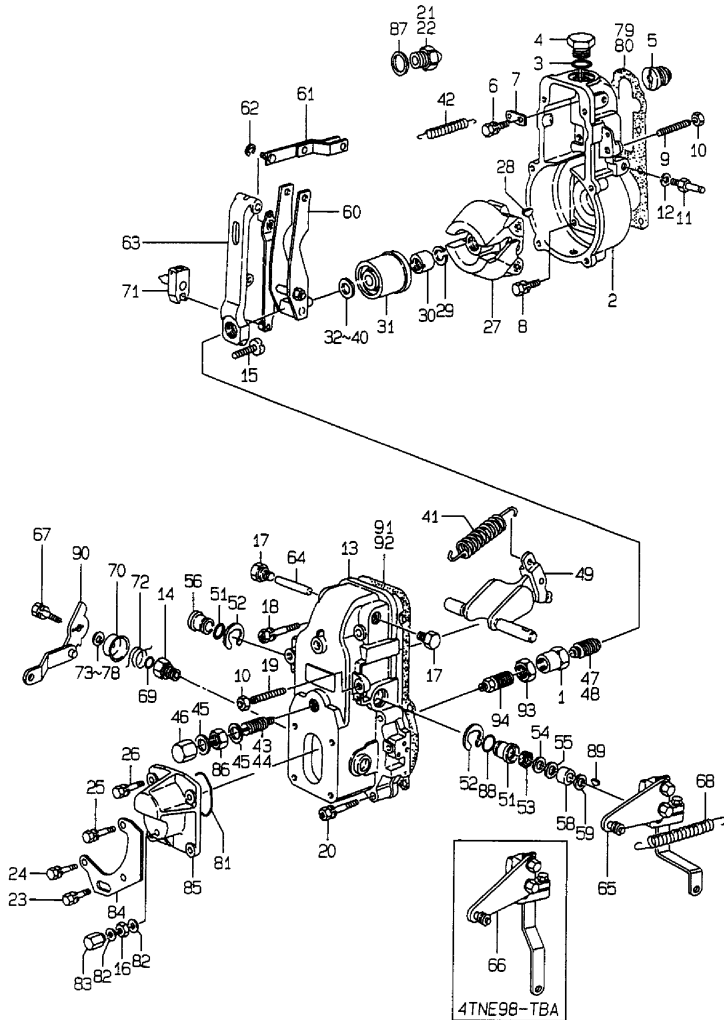
\* THIS FIGURE(GOVERNOR ASSY)IS INCORPORATED IN THE FUEL INJECTION PUMP ASSY(FIG.11).

Fig.17. GOVERNOR

(A)=4TNE98-TBZ  
(B)=4TNE98-TBA  
(C)=

(D)=  
(E)=  
(F)=

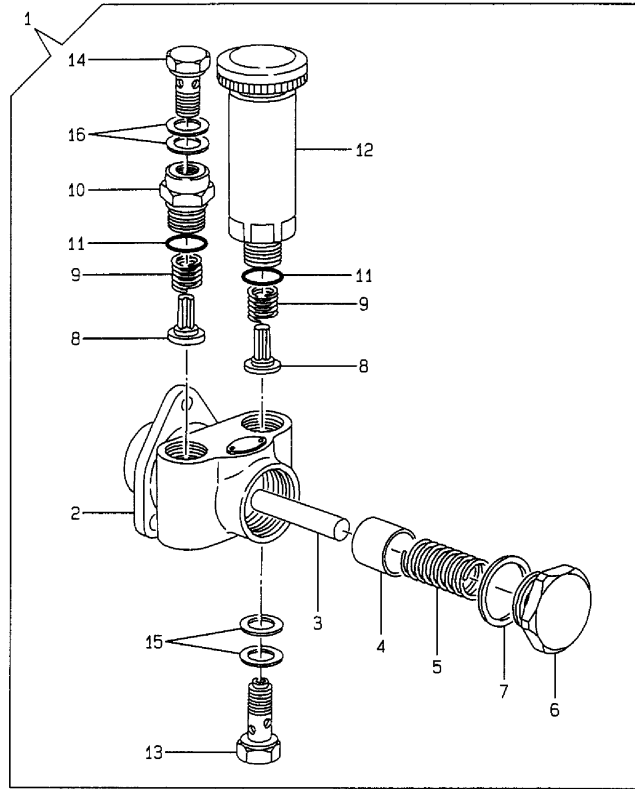
No.	Lev.	Parts No.	Description	Q'ty						I	R
				(A)	(B)	(C)	(D)	(E)	(F)		
52	2	X0160101640	RING, SNAP	2	2						
53	2	X1396110000	SEAL, OIL	1	1						
54	2	X1394110000	SHIM	1	1						
55	2	X0293111070	SHIM	1	1						
56	2	X1542044400	BUSH	1							
57	2	X1542043100	BUSH		1						
58	2	X1542062800	COLLAR	1	1						
59	2	X1542060200	WASHER	1	1						
60	2	X1542163820	LEVER ASSY, GUIDE	1	1						
61	2	X1542303920	LINK	1	1						
62	2	X0160100540	RING, SNAP	1	1						
63	2	X1542364100	LEVER, TENSION	1	1						
64	2	X1542370100	PIN	1	1						
65	2	X1543956420	LEVER	1							
66	2	X1543960320	LEVER		1						
67	2	X0200061640	BOLT	1	1						
68	2	X1543142600	SPRING	1	1						
69	2	X0296310030	O-RING	1	1						
70	2	X1543220100	CAP	1	1						
71	2	X1543265020	LEVER ASSY	1	1						
72	2	X1543277600	SPRING	1	1						
73	2	X0293110520	SHIM	1	1						
74	2	X0293110530	SHIM	1	1						
75	2	X0293110540	SHIM	1	1						
76	2	X0293110550	SHIM	1	1						
77	2	X0293110560	SHIM	1	1						
78	2	X0293110570	SHIM	1	1						
79	2	X1543900000	GASKET	1							
80	2	X1543507700	GASKET		1						
81	2	X0296352020	O-RING	1	1						
82	2	X0265061040	GASKET	2	2						
83	2	X1540351600	CAP NUT	1	1						
84	2	X1543587200	BRACKET	1	1						
85	2	X1540635100	COVER	1	1						
86	2	X1540111700	NUT	1	1						
87	2	X0265182240	GASKET	1	1						
88	2	X0296318020	O-RING	2	2						
89	2	X0258031310	WOODRUFF KEY	1	1						
90	2	X1543826020	LEVER	1	1						
91	2	X1543900300	GASKET	1							
92	2	X1543507800	GASKET		1						
93	2	X0292016080	NUT	1							
94	2	X1541883320	SPRING	1							



Remarks

\* THIS FIGURE(GOVERNOR ASSY)IS INCORPORATED IN THE FUEL INJECTION PUMP ASSY(FIG.11).

Fig.18. FEED PUMP



(A)=4TNE98-TBZ  
(B)=4TNE98-TBA  
(C)=

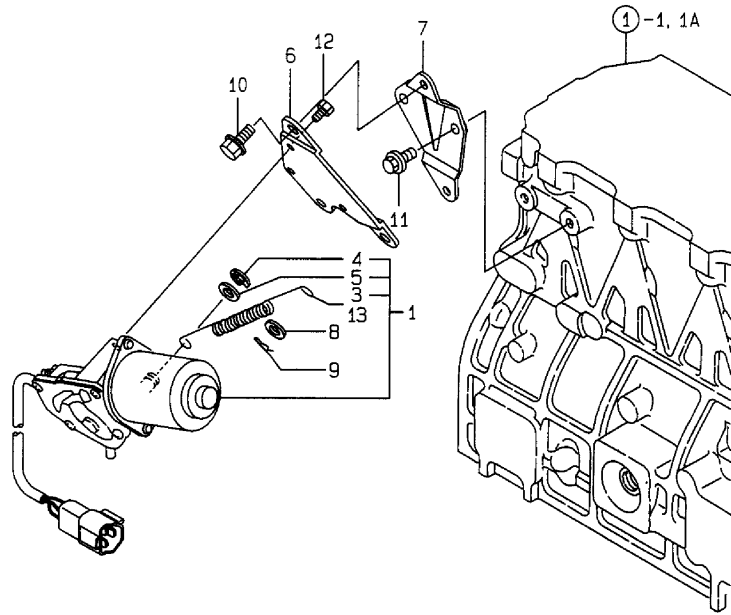
(D)=  
(E)=  
(F)=

No.	Lev.	Parts No.	Description	Q'ty						I	R
				(A)	(B)	(C)	(D)	(E)	(F)		
1	2	129900-52010	PUMP ASSY, FUEL FEED	1							
2	3	X1520620020	HOUSING	1							
3	3	X1520300200	ROD, PUSH	1							
4	3	X1521002301	PISTON	1							
5	3	X1521020400	SPRING, PISTON	1							
6	3	X1521051500	PLUG	1							
7	3	X1395260000	GASKET	1							
8	3	X1521150500	VALVE	2							
9	3	X1521160200	SPRING	2							
10	3	X1521180900	ADAPTER	1							
11	3	X0296316060	O-RING	2							
12	3	X1522006720	PRIMING PUMP	1							
13	3	X1523005920	BOLT	1							
14	3	X0297314680	EYE BOLT	1							
15	3	X0265141840	GASKET	2							
16	3	X0265141840	GASKET	2							

Remarks

\* THIS FIGURE(FEED PUMP ASSY)IS  
INCORPORATED IN THE FUEL INJECTION  
PUMP ASSY(FIG.11).

Fig.19. ENGINE STOP DEVICE



(A)=4TNE98-TBZ  
(B)=4TNE98-TBA  
(C)=

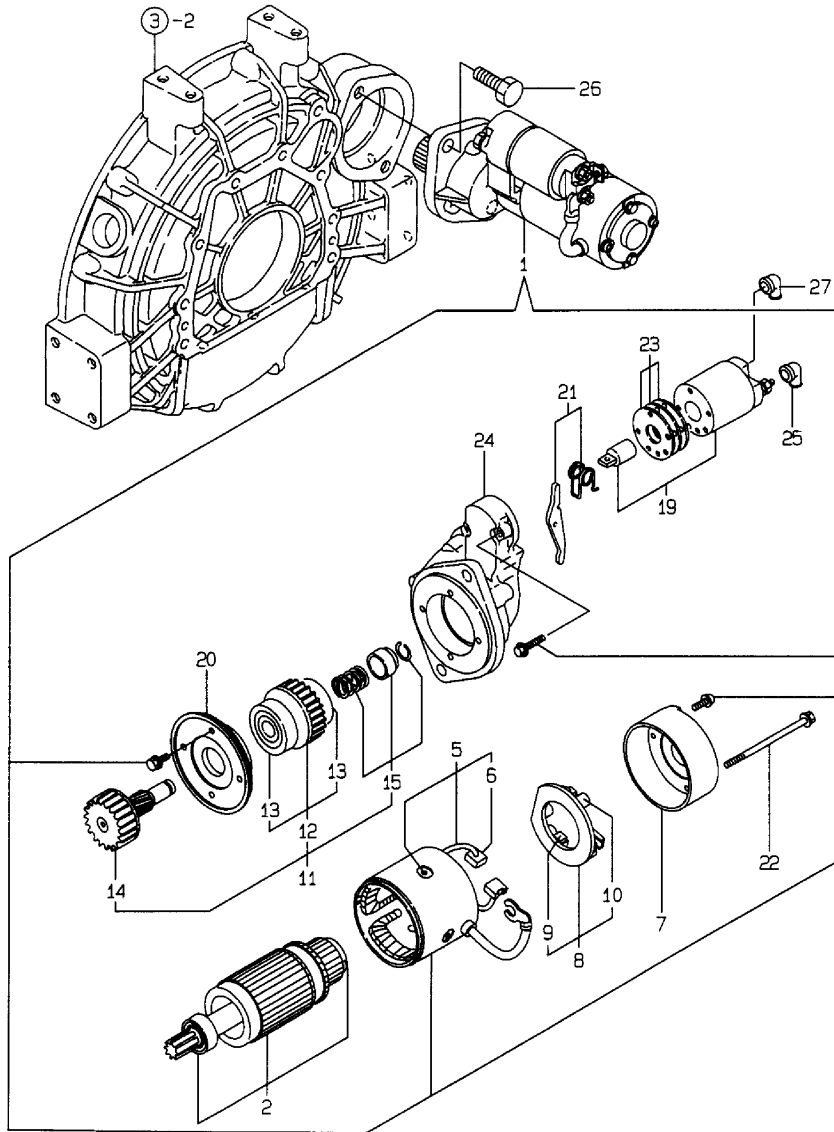
(D)=  
(E)=  
(F)=

No.	Lev.	Parts No.	Description	Q'ty						I	R
				(A)	(B)	(C)	(D)	(E)	(F)		
1	1	129900-66790	MOTOR ASSY, STOP		1						
3	2	129900-66830	SPRING, STOP MOTOR		1						
4	2	129566-66880	RING, SNAP		1						
5	2	129566-66890	WASHER		1						
6	1	119840-66811	BRACKET, STOP MOTOR		1						
7	1	129900-66820	BRACKET, STOP MOTOR		1						
8	1	22117-080000	WASHER, 8	1	1						W
		(A=E09911)									
9	1	22360-080000	SNAP PIN 8	1	1						W
		(A=E09911)									
10	1	26106-080122	BOLT, M8X 12 PLATED		2						
11	1	26106-080122	BOLT, M8X 12 PLATED		2						
12	1	26116-050102	BOLT, M5X 10 PLATED		3						
13	1	129900-66830	SPRING, STOP MOTOR	1							W
		(A=E09911)									

Fig.20. STARTING MOTOR

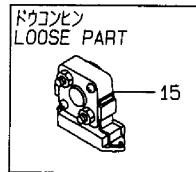
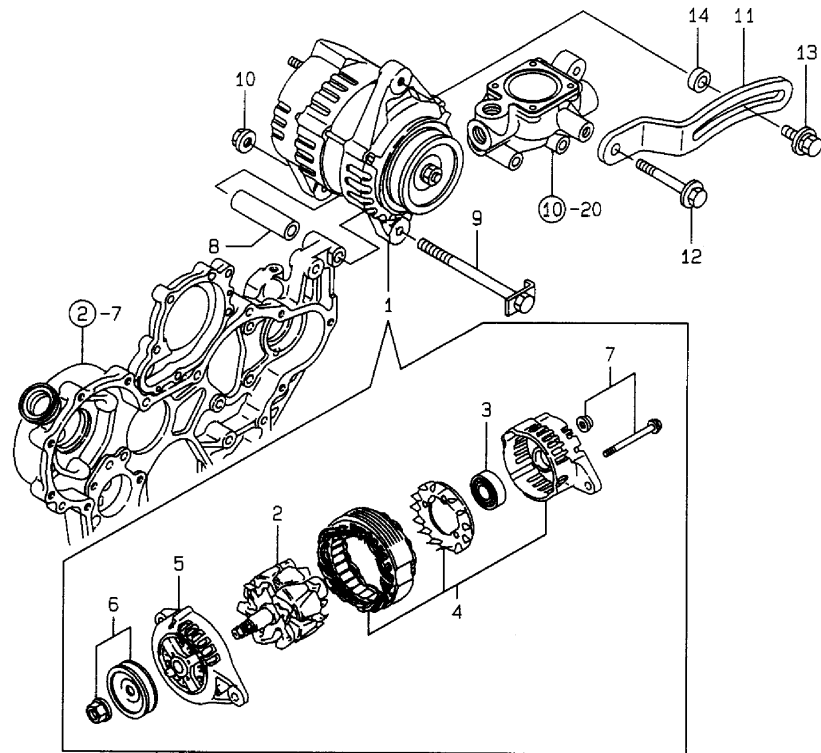
(A)=4TNE98-TBZ  
 (B)=4TNE98-TBA  
 (C)=

(D)=  
 (E)=  
 (F)=



No.	Lev.	Parts No.	Description	Q'ty						I	R
				(A)	(B)	(C)	(D)	(E)	(F)		
1	1	123900-77010	STARTER		1						
2	2	123900-77400	ARMATURE ASSY		1						
5	2	123900-77440	COIL ASSY, FIELD		1						
6	3	123900-77450	BRUSH (+)		2						
7	2	123900-77460	COVER, REAR		1						
8	2	123900-77480	HOLDER, BRUSH		1						
9	3	123900-77450	BRUSH (+)		2						
10	3	121254-77590	SPRING, BRUSH		4						
11	2	123900-77510	PINION ASSY		1						
12	3	123900-77520	CLUTCH ASSY		1						
13	4	X2240610100	BALL BEARING (3		2						
14	3	123900-77540	SHAFT, PINION		1						
15	3	119131-77550	STOPPER KIT, PINION		1						
19	2	129900-77591	SWITCH ASSY,MAGNETIC		1						
20	2	123900-77610	RETAINER, BEARING		1						
21	2	129900-77620	SHIFT LEVER SET		1						
22	2	123900-77640	THROUGHT BOLT		2						
23	2	123900-77650	COVER ASSY, DUST		1						
24	2	123900-77710	HOUSING, GEARS		1						
25	2	171008-77750	COVER, M TERMINAL		1						
26	1	26116-120302	BOLT, M12X 30 PLATED		2						
27	1	124550-77030	COVER, TERMINAL		1						

Fig.21. GENERATOR



(A)=4TNE98-TBZ  
(B)=4TNE98-TBA  
(C)=

(D)=  
(E)=  
(F)=

No.	Lev.	Parts No.	Description	Qty						I	R
				(A)	(B)	(C)	(D)	(E)	(F)		
1	1	119836-77201	GENERATOR (AC)		1						
2	2	129612-77700	ROTOR ASSY		1						
3	2	129612-77710	BEARING, BALL		1						
4	2	119836-77920	BRACKET ASSY		1						
5	2	129612-77730	BRACKET ASSY, FILTER		1						
6	2	129612-77740	PULLEY		1						
7	2	129612-77750	SCREW KIT		1						
8	1	129150-77340	SPACER		1						
9	1	129953-77201	BOLT		1						
10	1	129612-77260	NUT, ALTERNATOR		1						
11	1	129953-77330	ADJUSTER		1						
12	1	26014-080252	BOLT, M8X 25		1						
13	1	119810-77340	BOLT, ADJUSTER		1						
14	1	106500-44810	SPACER		1						
15	1	129136-77100	RELAY, SAFETY		1						

## Parts No. Index

Parts No.	Fig. No.	Ref. No.
101304-59020	13	4
101720-55750	13	72
102103-55520	13	67
103854-59191	13	5
104200-55321	13	63
104200-55330	13	64
104200-55341	13	65
104200-55750	13	73
104200-92350	16	35
105225-59500	13	58
106500-44810	15	5
	21	14
110250-55610	13	68
114250-39450	9	10
114250-53080	12	8
114250-53120	12	12
114250-53130	12	13
114250-53140	12	14
114250-53210	12	15
114250-53400	12	16
119000-01840	3	14
119000-35140	9	20
119000-55600	13	1
		3 C
119005-12060	5	8 -1
119005-12571	5	16
119100-11330	4	52
119117-44760	10	17
119129-13500	6	11
119129-77020	5	11
	16	31
119129-77250	15	29
119129-77320	15	14
119129-77500	5	6
119129-77820	15	25
119129-77850	15	18
119129-77870	15	17
119129-77890	15	32
119129-77930	15	19
119130-44760	10	57
119131-18320	6	9
119131-77010	14	1
119131-77400	14	2
119131-77420	14	4
119131-77440	14	6
119131-77450	14	8
119131-77460	14	9
119131-77470	14	10
119131-77480	14	11
119131-77490	14	13

Parts No.	Fig. No.	Ref. No.
119131-77500	14	12
119131-77510	14	14
119131-77520	14	15
119131-77530	14	16
119131-77540	14	17
119131-77550	14	18
	20	15
119131-77590	14	22
119131-77600	14	23
119131-77610	14	24
119131-77620	14	25
119131-77650	14	28
119131-77690	14	34
119140-12680	5	21
		35
119160-12060	5	8
119225-52102	13	61
119259-44570	10	33
119266-49350	10	59
119305-59120	12	28
119503-77520	15	10
119625-11870	4	20
	16	5
119625-11880	4	21
	16	6
119625-11900	4	22
119640-01640	3	8
		19
119640-92750	16	36
119808-12540	5	19
		34
119810-77340	15	7
	21	13
119812-34800	3	16
119836-77201	21	1
119836-77920	21	4
119840-66811	19	6
120130-22301	8	22
120445-44540	10	42
121023-01550	2	17
121250-44590	10	35
121250-44901	10	11
121250-49110	13	39
121250-59550	13	54
121254-77590	20	10
121254-77810	14	5
121256-44600	10	61
121257-55720	13	69
121257-55731	13	70
121267-44590	10	41

Parts No.	Fig. No.	Ref. No.
121400-11340	4	17
	16	11
121450-44531	10	38
121468-44540	10	37
121470-44581	10	40
121520-34810	3	23
121550-49111	10	18
121750-59890	13	45
121850-21130	8	11
121850-21290	8	5
121850-21680	8	10
121850-21920	8	6
121850-49530	10	22
121850-49540	10	23
	16	18
121850-49550	10	21
	16	16
121850-49800	10	24 -1
121850-49810	10	24
121850-77021	5	5
	16	17
121850-77100	5	12
121855-59880	13	13
		46
		57
123900-77010	20	1
123900-77400	20	2
123900-77440	20	5
123900-77450	20	6
		9
123900-77460	20	7
123900-77480	20	8
123900-77510	20	11
123900-77520	20	12
123900-77540	20	14
123900-77610	20	20
123900-77640	20	22
123900-77650	20	23
123900-77710	20	24
124060-59380	13	7
124064-55510	13	66
124066-59100	13	12
		59
124160-01751	2	28
	4	58
124160-11360	4	45
124411-01780	3	6
124450-44550	10	60
124450-44560	10	39
124460-11340	4	18

Parts No.	Fig. No.	Ref. No.
124460-11340	16	4
124465-44950	10	10
		52
	16	19
124550-77030	14	37
	20	27
124766-59050	13	16
		19
		40
		42
124950-59560	13	26
127410-21480	8	15
127488-77530	15	11
128300-13230	6	8
	16	26
128300-59910	13	28
129001-91810	2	26
		27
129062-12560	5	17
		32
129100-01580	2	14
	3	1
129107-44901	10	51
129136-77100	21	15
129150-02450	7	4
129150-11230	4	35
		39
129150-11370	4	19
129150-11750	4	37
		41
129150-11810	4	9
129150-14200	7	1
129150-25920	7	14
129150-35151	9	21
129150-49080	10	46
129150-49100	10	45
129150-49360	10	30
	16	27
129150-59131	12	31
		35
129150-59580	13	27
129150-77340	21	8
129210-59110	13	41 A
129210-59170	13	14 A
129335-55700	13	62
129400-13201	6	7
	16	24
129400-77640	14	32
129400-92440	16	33
129457-12530	5	33



## Parts No. Index

Parts No.	Fig. No.	Ref. No.
129466-44510	10	36
129470-55610	13	2
		3 D
129470-59530	13	10 B
		25
129470-77340	15	1
129495-59300	13	10 A
		24
129535-52150	13	37
129535-77880	15	30
129550-59120	12	32
129566-66880	19	4
129566-66890	19	5
129612-12650	5	23
129612-77260	21	10
129612-77700	21	2
129612-77710	21	3
129612-77730	21	5
129612-77740	21	6
129612-77750	21	7
129795-11180	4	16
129900-01200	1	28
129900-01250	1	13
129900-01400	2	8
129900-01780	2	4
129900-01820	2	7
129900-01950	12	1
129900-02020	1	7
129900-02340	1	30
129900-02410	1	10
129900-02800	1	16
129900-02930	1	25
129900-02940	1	33
129900-11100	4	13
129900-11110	4	14
129900-11120	4	15
129900-11200	4	27
129900-11240	4	28
129900-11280	4	31
129900-11310	4	47
	16	7
129900-11350	4	46 A
129900-11510	4	32
129900-11520	4	33
129900-11530	4	62
129900-11600	4	50
129900-11650	4	34
129900-11660	4	38
129900-12050	5	1
	16	8

Parts No.	Fig. No.	Ref. No.
129900-12100	5	2
129900-12530	5	18
129900-13200	6	1
129900-13251	6	3
	16	9
129900-14100	7	7
129900-14400	7	2
129900-14580	7	3
129900-21200	8	4
129900-23000	8	24
129900-23200	8	29
129900-23600	8	30
129900-23610	8	32
129900-23910	8	28
129900-25060	7	10
129900-25100	7	11
129900-25900	7	16
129900-32000	2	10
129900-32030	2	12
	9	2
	16	12
129900-32040	2	13
	16	13
129900-35000	9	3
129900-39350	9	11
129900-42001	10	1
129900-42020	10	9
	16	14
129900-42450	10	14
129900-42461	10	54
129900-44700	10	56
129900-49860	10	20
129900-49870	10	28
	16	15
129900-52010	18	1
129900-66790	19	1
129900-66820	19	7
129900-66830	19	3
		13
129900-77100	15	9
129900-77591	20	19
129900-77620	20	21
129901-55800	13	47
129901-55820	13	49
129901-55830	13	50
129901-55840	13	51
129901-55850	13	52
129901-55860	13	53
129902-01331	1	29
	16	2

Parts No.	Fig. No.	Ref. No.
129902-21000	8	1
129902-21580	8	12
129902-22080	8	16
129902-22900	8	34
129902-53000	12	5
129903-22050	8	18
129903-22950	8	36
129910-03100	4	60
129910-07900	4	4
129910-11350	4	46
129910-55600	13	3 A
129910-59810	12	37
129910-59820	12	41
129910-59830	12	45
129910-59840	12	49
129911-49020	10	44
129915-49010	10	43
129915-77050	5	24
129916-49860	10	20 -1
129920-44740	10	16
129950-59211	13	18
		41
129950-59880	13	11
129951-01620	3	2
129951-01740	2	5
129951-55561	13	55
129953-01710	3	18
129953-01730	3	7
129953-01920	1	6
129953-03100	4	1
129953-07910	4	59
129953-12200	5	26
129953-12210	5	9
129953-12220	5	9 -1
129953-12230	5	27
129953-12240	5	28
129953-12500	5	14
129953-12501	5	14 -1
129953-12520	5	30
129953-12560	5	31
129953-13550	6	10
129953-13551	6	10 -1
129953-21610	8	8
129953-21611	8	8 -1
129953-34800	3	22
129953-35110	9	16
129953-35120	9	17
129953-35121	9	17 -1
129953-35210	9	22
129953-39100	9	25

Parts No.	Fig. No.	Ref. No.
129953-39500	9	19
		24
129953-44500	10	32
129953-44900	10	53
129953-44930	10	62
129953-51000	11	2
129953-51120	11	1
129953-52100	13	36
129953-55600	13	3 B
129953-77201	21	9
129953-77210	15	12
129953-77330	15	6
	21	11
129960-03990	4	3
129960-21640	8	9
129961-59310	13	14
171008-77410	14	3
171008-77450	14	7
171008-77750	20	25
171031-11741	2	30
171051-01921	1	6 A
171056-49351	10	31
171064-44510	10	36 A
171081-55910	13	74
171093-44500	10	32 A
172187-13921	10	34
22117-080000	19	8
22137-100000	15	2
22190-060002	13	8
	16	28
22190-080002	9	15
	13	10 C
		22
	16	25
22190-120002	13	9
	16	29
22190-140000	10	63
22190-140002	13	10 D
		34
		35
	16	30
22190-220002	3	10
		21
	16	3
22190-300002	9	26
22242-000180	4	42
22252-000300	8	23
22351-060012	1	11
22360-080000	19	9
22512-070140	7	8

## Parts No. Index

Parts No.	Fig. No.	Ref. No.
22512-070140	8	7
22857-500100	4	51
23000-054000	10	50
23000-080000	5	10
		10 -1
		29
23065-070225	10	41 A
23297-060081	9	12
23414-080000	9	13
	16	10
23418-060000	13	75
23446-050000	6	12
23857-030000	9	14
23857-060000	13	10
23871-005000	4	11
23875-030000	10	26
23876-030000	1	5
		12
		14
	4	26
23887-140002	10	64
24311-000070	2	29
	16	20
24311-000120	4	53
	16	21
24311-000320	2	16
		31
	4	57
	16	23
24311-240100	13	76
24321-000600	9	27
	16	32
24341-000240	2	18
	16	22
24341-000530	8	40
25132-004200	10	55
25132-004500	10	15
26014-060162	14	33
26014-080252	15	8
	21	12
26014-080352	10	58
26106-060142	10	27
26106-060162	2	19
26106-060302	10	12
26106-080102	13	10 E
		23
26106-080122	3	13
	4	61
	9	1
		8

Parts No.	Fig. No.	Ref. No.
26106-080122	19	10
		11
26106-080162	2	20
	4	54
	5	13
	7	9
	9	9
	13	38
26106-080202	2	21
	5	36
	12	3
26106-080302	2	22
	5	7
26106-080352	5	25
26106-080402	2	23
		24
26106-080452	2	25
	5	4
26106-080552	7	15
	10	13
26106-080602	10	29
26106-080802	6	4
	10	19
26106-100142	12	2
26106-100202	13	3
26106-100252	9	28
	13	56
26106-100352	3	5
26106-100652	4	55
26116-050102	19	12
26116-050122	15	28
26116-101202	15	3
26116-120302	14	36
	20	26
26216-060202	4	23
26216-080802	6	5
26216-100302	2	11
26306-080002	6	6 -1
26306-100002	2	15 -1
	4	44 -1
	15	4 -1
26366-060002	4	24
26366-080002	6	6
26366-100002	2	15
	4	44
	15	4
26557-040102	14	35
26577-040162	4	43
27225-100140	3	15
27241-300000	1	15

Parts No.	Fig. No.	Ref. No.
27241-400000	4	12
27310-080001	4	25
28110-100120	16	37
28110-140170	16	38
729900-01570	2	1
729900-11100	4	5
729902-01560	1	1 A
729902-53100	12	4
729902-92690	16	1
729953-01560	1	1
977770-01212	2	6
	3	17
	4	56
	16	34
X0130206040	11	14
X0131214140	11	96
X0141106440	11	104
X0141108440	17	12
X0160100540	17	62
X0160101640	17	52
X0166302030	11	68
X0166402030	11	66
X0200061640	17	26
		67
X0200062040	11	94
	17	25
X0200181840	17	6
X0201063840	17	20
X0201065040	17	18
X0258031310	17	89
X0258031610	17	28
X0265061040	17	82
X0265101340	11	103
X0265121540	17	45
X0265141840	11	100
	18	15
		16
X0265182240	17	87
X0282017020	11	69
X0282020020	11	67
X0290106810	17	8
X0290206260	17	23
		24
X0290406020	11	106
X0292016010	17	1
X0292016080	17	93
X0292312030	17	30
X0293110010	17	32
X0293110020	11	28
X0293110030	11	29

Parts No.	Fig. No.	Ref. No.
X0293110040	11	30
X0293110050	11	31
X0293110060	11	32
X0293110070	11	33
X0293110080	11	34
X0293110090	11	35
X0293110110	11	36
X0293110120	11	37
X0293110130	11	38
X0293110140	11	39
X0293110180	17	33
X0293110190	17	34
X0293110210	17	35
X0293110270	11	40
X0293110280	11	41
X0293110290	11	42
X0293110310	11	43
X0293110320	11	44
X0293110330	11	45
X0293110340	11	46
X0293110350	11	47
X0293110490	11	48
X0293110500	11	49
X0293110520	17	73
X0293110530	17	74
X0293110540	17	75
X0293110550	17	76
X0293110560	17	77
X0293110570	17	78
X0293110580	11	50
X0293110590	11	51
X0293110600	11	52
X0293110610	11	53
X0293110620	11	54
X0293110630	11	55
X0293110710	11	56
X0293111070	17	55
X0293117010	11	72
X0293117020	11	73
X0293117030	11	74
X0293117040	11	75
X0293117050	11	76
X0293117060	11	77
X0293117070	11	78
X0293117090	11	79
X0293117210	11	80
X0293117220	11	81
X0293120220	11	83
X0293120230	11	84
X0293120240	11	85

## Parts No. Index

Parts No.	Fig. No.	Ref. No.
X0293120250	11	86
X0293120260	11	87
X0293120270	11	88
X0293120290	11	89
X0293120300	11	90
X0293212020	17	29
X0293214010	11	97
X0293406020	11	11
X0294704030	11	98
X0296220190	11	92
X0296310030	17	69
X0296316060	18	11
X0296318020	17	88
X0296320030	11	22
X0296325070	17	3
X0296331010	11	15
X0296352020	17	81
X0296375020	11	101
X0297310120	11	102
X0297314680	11	99
	18	14
X1310022000	11	6
		7
X1310111900	11	9
X1310171000	11	10
X1310286220	11	8
X1310341401	11	12
X1310400200	11	105
X1310410800	11	16
X1310641621	11	4
X1310642220	11	3
X1311123500	11	17
X1311151600	11	18
X1311167600	11	19
X1311172300	11	20
X1311220520	11	21
X1311523420	11	107
X1311607920	11	108
X1312000220	11	23
X1312030200	11	24
X1312041000	11	25
X1312050500	11	26
X1312060200	11	27
X1312152500	11	57
X1312160100	11	58
X1312170200	11	59
X1312260300	11	61
X1312400100	11	62
X1312410100	11	63
X1312420100	11	64

Parts No.	Fig. No.	Ref. No.
X1312540600	11	60
X1313020300	11	70
X1313021000	11	71
X1313211900	11	95
X1313301800	11	93
X1313612700	11	65
X1340260000	11	5
X1392060400	11	13
X1392060600	17	16
X1394100000	17	36
X1394100100	17	37
X1394103000	17	38
X1394103100	17	39
X1394103200	17	40
X1394110000	17	54
X1394170000	11	82
X1394200400	11	91
X1395260000	18	7
X1396110000	17	53
X1520300200	18	3
X1520620020	18	2
X1521002301	18	4
X1521020400	18	5
X1521051500	18	6
X1521150500	18	8
X1521160200	18	9
X1521180900	18	10
X1522006720	18	12
X1523005920	18	13
X1530205220	17	21
X1540006400	17	2
X1540070200	17	5
X1540072900	17	4
X1540100100	17	9
		19
X1540110100	17	10
X1540111700	17	86
X1540132320	17	11
X1540313000	17	15
X1540351600	17	83
X1540360300	17	17
X1540635100	17	85
X1541010020	17	27
X1541230120	17	31
X1541502900	17	41
X1541540701	17	42
X1541580920	17	43
X1541581220	17	44
X1541591200	17	46
X1541771220	17	48

Parts No.	Fig. No.	Ref. No.
X1541856120	17	47
X1541883320	17	94
X1542006920	17	49
X1542043000	17	51
X1542043100	17	57
X1542044300	17	50
X1542044400	17	56
X1542060200	17	59
X1542062800	17	58
X1542163820	17	60
X1542303920	17	61
X1542364100	17	63
X1542370100	17	64
X1543142600	17	68
X1543210400	17	14
X1543220100	17	70
X1543265020	17	71
X1543277600	17	72
X1543501900	17	7
X1543507700	17	80
X1543507800	17	92
X1543587200	17	84
X1543826020	17	90
X1543900000	17	79
X1543900300	17	91
X1543956420	17	65
X1543960320	17	66
X1545001020	17	13
X1554045120	17	22
X2240610100	20	13
XL1501313	15	26
XL15023252	15	24
XL17093201	15	27
XL2252805	15	31
XL23513151	15	22
XL2351400	15	16
XL24092001	15	15
XL240G23001	15	20
XL240G4301	15	21
XL240G5100	15	13

Parts No.	Fig. No.	Ref. No.
-----------	----------	----------