

OCD10-M71400EN

PREFACE

1. This parts catalog is the Second edition of 4TNE106T-TBL for Takeuchi Mfg. Co., Ltd.
2. This parts catalog does not contain the technical data needed for maintenance service.
3. The illustrations used in this parts catalog have been simplified for clarity.

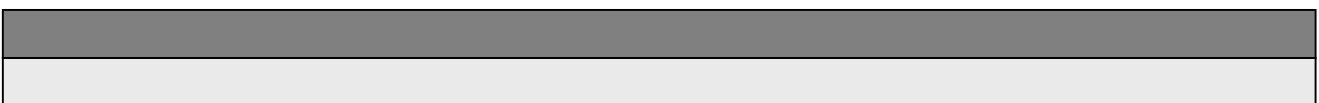
Pub. No.: 000Y00D7140

Published: June.,2000

4. Model name

Engine model	Vehicle		Vehicle made by
	Products	Model name	
4TNE106T-TBL	CRAWLER LOADER	L9A	Takeuchi Mfg. Co., Ltd.

5. The contents of this parts catalog are subject to change without prior notice.



Directions for the Parts Catalog.

1. The parts stipulated in this Parts Catalog are not necessarily standard equipped parts.
2. Parts may change without prior notice.
3. The following is an example of the Parts Catalog format.

REF.	LEV.	PARTS NO.	DESCRIPTION	Q'TY						I	R
				(A)	(B)	(C)	(D)	(E)	(F)		
1	1	729595-51390	FUEL INJECTION PUMP	1	1	1	1	1			1
1-1	1	729595-51391	FUEL INJECTION PUMP	1	1	1	1	1		N	1
		(A=E00185) (B=E00200)									
3	2	26022-060162	SCREW M 6X 16	9	9	9	9	9			
3-1	2	26022-060162	SCREW M 6X 16	4	4	4	4	4		K	
		(A=E00156) (B=E00156) (C=E00156) (D=E00156) (E=E00156)									
4	2	129470-51040	CAMSHAFT	1	1	1	1	1			
5	2	122710-51050	BEARING, ROLLER	2	2	2	2	2			
6	2	129470-51060	RETAINER	1	1	1	1	1			

Remarks
(1) BOOST COMPEMSATOR TYPE. OPTIONAL PART, TO E00155,(4JH-DT, 4JH-DTZ

① Ref. No.

The Ref. No. listed may not be in accordance with the illustration Ref. No.

(Ex.) Illustration No.

List Ref No.

1

1

(Before change)

1-1

(After change)

For interchangeable symbols N, R and K, illustrations for new parts may be abbreviated.

② Lev. (Level)

Level indication

The numbers below indicate the level of relativity towards the main part.

1 ----- Main parts (Assembly parts)

2 ----- Sub component included in " 1 ".

3 ----- Sub component included in " 2 ".

Note) Parts that are not for sale are partially illustrated but not listed.

③ Interchangeability Mark

When a part change takes place, one of the following interchangeability symbols is indicated beside the part.

Symbol	Interchangeability	Contents note
N	Old $\begin{matrix} \leftarrow \text{Yes} \\ \text{No} \rightarrow \end{matrix}$ New	New Part is interchangeable for Old Part but Old Part is not interchangeable for New Part.
Q	Old $\begin{matrix} \leftarrow \text{No} \\ \text{Yes} \rightarrow \end{matrix}$ New	New Part is not interchangeable for Old Part but Old Part is interchangeable for New Part.
R	Old $\begin{matrix} \leftarrow \text{Yes} \\ \text{Yes} \rightarrow \end{matrix}$ New	New/ Old Parts are both interchangeable.
S	Old $\begin{matrix} \leftarrow \text{No} \\ \text{No} \rightarrow \end{matrix}$ New	New/ Old Parts are both not interchangeable.
W		Part discontinued.
Z		Part newly added.
F		Not interchangeable by a single part but interchangeable together with related parts.
K		Changes only for used parts quantities.

④ Effective Machine No.

When a part changes, the effective Machine No. will be indicated in the (A)-(F) column.

Product Symbol	Product No.	Product Symbol	Product No.
C	Clutch No. Compressor No.	F	Machine No. (Agricultural Equip.)
D	Drive No.	M	Machine No.
E	Engine No.	Note 1)	Date

Note 1) A date may follow the symbol. (Ex.) 1996.01

Note 2) " XXX " are for parts that could not be predicted or for engine models that could not be identified.

Note 3) (A=E00185) is the E (Engine Serial Number) for the column (A) model (in this case 4JH-DT) after the parts design change.

⑤ Remarks Mark

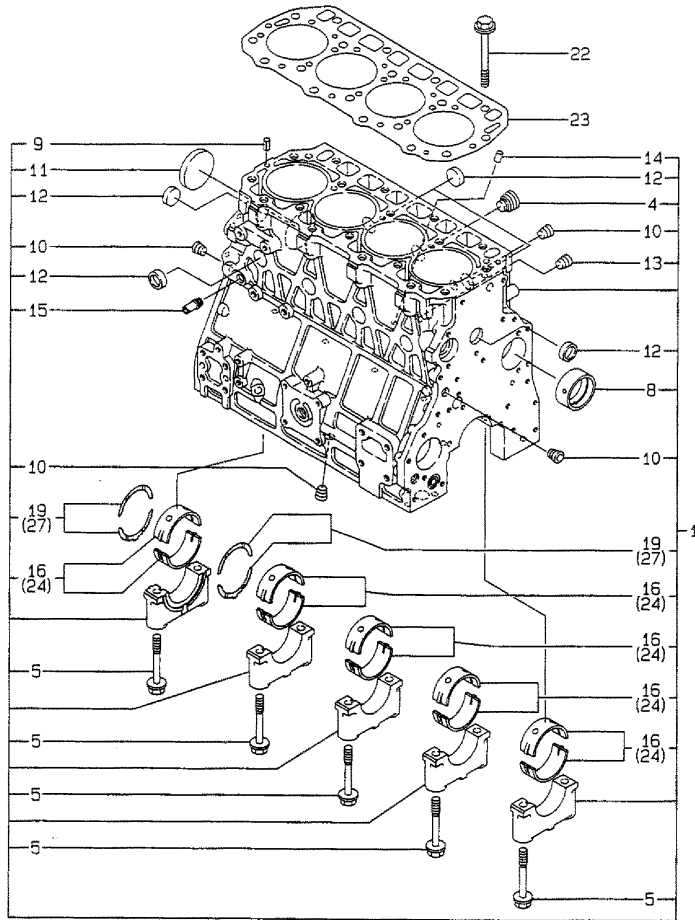
Figures or alphabets (symbols) are entered in the remarks column.

The comments (remarks) on parts that are indicated at the bottom of the illustration are the same symbols as those stated above.

Contents

Fig. No.	Fig. Name	Fig. No.	Fig. Name
4TNE106T-TBL			
1.	CYLINDER BLOCK		
2.	GEAR HOUSING		
3.	FLYWHEEL HOUSING & OIL SUMP		
4.	CYLINDER HEAD & BONNET		
5.	SUCTION MANIFOLD & AIR CLEANER		
6.	EXHAUST MANIFOLD & SILENCER		
7.	CAMSHAFT & DRIVING GEAR		
8.	TURBINE		
9.	CRANKSHAFT & PISTON		
10.	LUB.OIL SYSTEM		
11.	LUB.OIL LINE		
12.	COOLING WATER SYSTEM		
13.	FUEL INJECTION PUMP		
14.	FUEL INJECTION VALVE		
15.	FUEL LINE		
16.	ENGINE STOP DEVICE		
17.	STARTING MOTOR		
18.	GENERATOR		
19.	GASKET SET		

Fig.1. CYLINDER BLOCK



(A)=4TNE106T-TBL

(B)=

(C)=

(D)=

(E)=

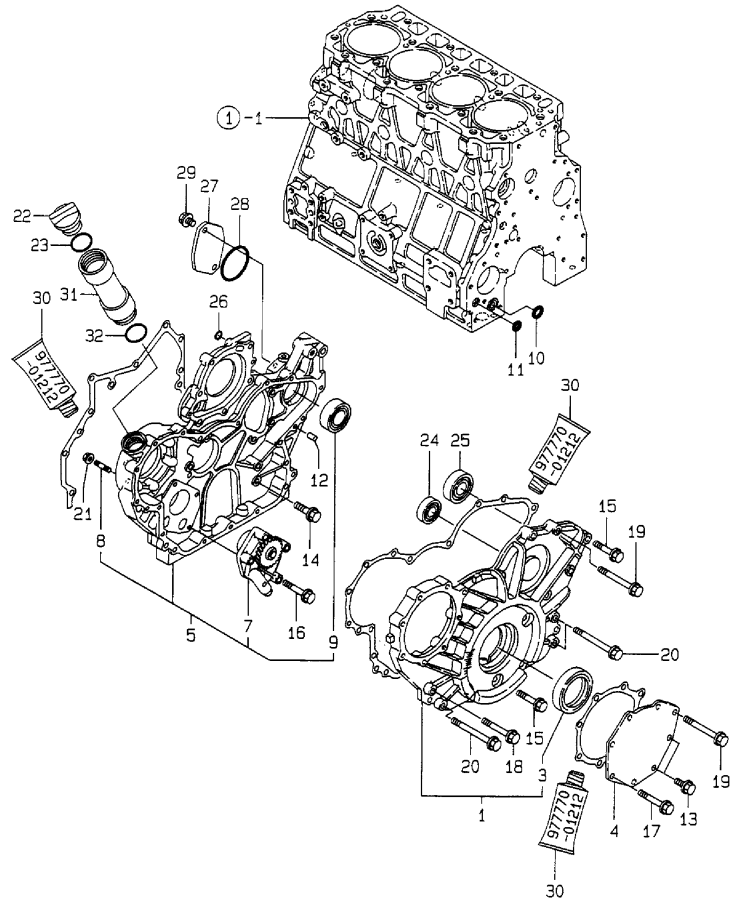
(F)=

No.	Lev.	Parts No.	Description	Q'ty						I	R
				(A)	(B)	(C)	(D)	(E)	(F)		
1	1	723900-01560	BLOCK ASSY, CYLINDER	1							
4	2	171051-01921	PLUG, NPTF1	1							
5	2	123900-02020	BOLT, METAL CAP	10							
8	2	123900-02410	BUSH	1							
9	2	22351-060012	PIN, SPRING 6.0X12	2							
10	2	23875-030000	PLUG, R03	4							
11	2	27231-700000	PLUG, 70	1							
12	2	27241-300000	PLUG 30	8							
13	2	23875-030000	PLUG, R03	1							
14	2	27225-120160	PLUG, 12X16	1							
15	2	121851-11970	JOINT, PIPE	1							
16	2	123900-02800	BEARING, MAIN	5							
19	2	123900-02930	BEARING, THRUST	2							
22	1	119174-01200	BOLT, HEAD	18							
23	1	123900-01340	GASKET, HEAD	1							
24	1	123900-02340	BEARING, 0.25 US	5							1
27	1	123900-02940	BEARING, THRUST 0.25	2							2

Remarks

- (1) UNDER-SIZE(U.S=0.25)PART.
- (2) OVER-SIZE(O.S=0.25)PART.

Fig.2. GEAR HOUSING



(A)=4TNE106T-TBL

(B)=

(C)=

(D)=

(E)=

(F)=

No.	Lev.	Parts No.	Description	Q'ty						I	R
				(A)	(B)	(C)	(D)	(E)	(F)		
1	1	723900-01590	COVER ASSY,GEAR CASE	1							
1-1	1	723900-01591	COVER ASSY,GEAR CASE	1							F 2
(A=*2008.01.)											
3	2	123900-01780	SEAL, OIL	1							
3-1	2	123946-01780	SEAL, OIL	1							F 2
(A=*2008.01.)											
4	1	123900-01740	COVER	1							
5	1	123900-01830	CASE ASSY, GEAR	1							
7	2	123900-32001	PUMP ASSY, OIL	1							
8	2	26216-100302	STUD, M10X 30	4							
9	2	24101-062060	BEARING, BALL 6206C3	1							
10	1	129900-32030	O-RING, P20	1							
11	1	129900-32040	O-RING, P14	1							
12	1	22312-080160	PIN, PARALLEL M8X16	4							
13	1	26106-080202	BOLT, M8X 20 PLATED	2							
14	1	26106-080202	BOLT, M8X 20 PLATED	5							
15	1	26106-080402	BOLT, M8X 40 PLATED	6							
16	1	26106-080452	BOLT, M8X 45 PLATED	4							
17	1	26106-080452	BOLT, M8X 45 PLATED	5							
18	1	26106-080502	BOLT, M8X 50 PLATED	1							
19	1	26106-080702	BOLT, M8X 70 PLATED	5							
20	1	26106-080802	BOLT, M8X 80 PLATED	3							
21	1	26366-100002	NUT, M10	4							
22	1	124160-01751	COVER, FILLER	1							
23	1	24311-000320	O-RING, 1AP32.0	1							
24	1	24101-062054	BEARING, BALL 6205	1							
25	1	24101-062060	BEARING, BALL 6206C3	1							
26	1	24311-000110	O-RING, 1AP11.0	1							
27	1	121023-26070	COVER	1							
28	1	24321-000850	O-RING, 1AG85.0	1							
29	1	26106-100122	BOLT, M10X 12 PLATED	2							
30	1	977770-01212	GASKET, LIQUID	1							1
31	1	171031-11741	PIPE	1							
32	1	24311-000320	O-RING, 1AP32.0	1							

Remarks

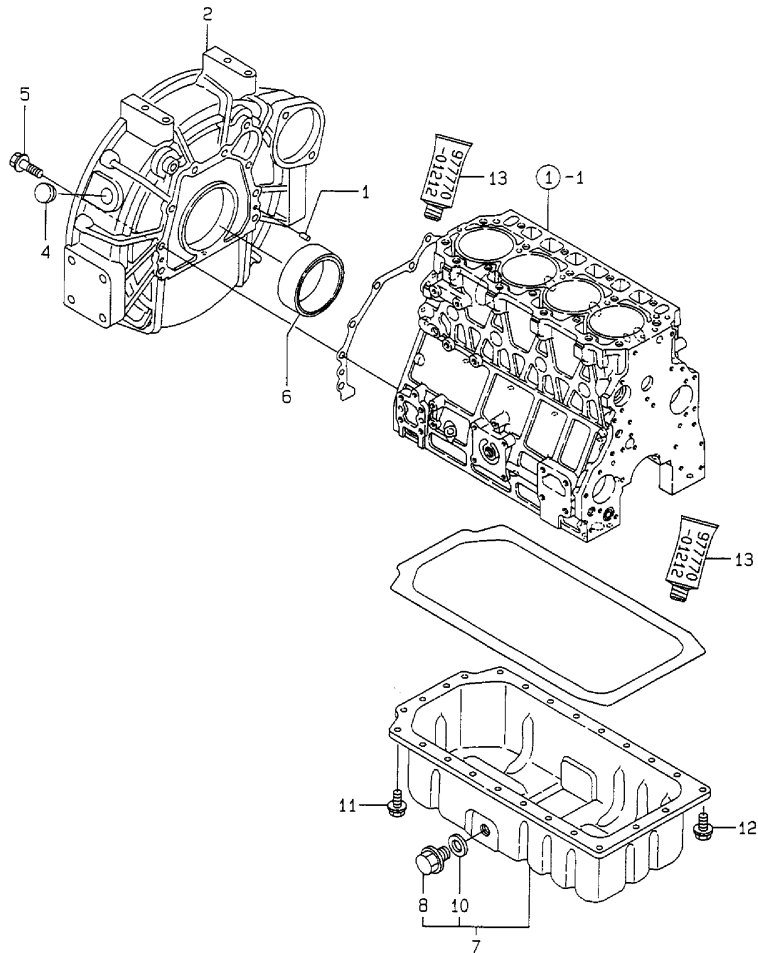
(1) OPTIONAL PART.

(2) FIG.NO.9 REF.NO.7-1,8-1,9-1 & 39 INTERCHANGEABLE BY SET.

Fig.3. FLYWHEEL HOUSING & OIL SUMP

(A)=4TNE106T-TBL
(B)=
(C)=

(D)=
(E)=
(F)=



No.	Lev.	Parts No.	Description	Q'ty						I	R
				(A)	(B)	(C)	(D)	(E)	(F)		
1	1	129100-01580	PIN, M8X16	2							
2	1	123900-01620	HOUSING, FLYWHEEL	1							
4	1	119620-01750	CAP	1							
5	1	26106-100352	BOLT, M10X 35 PLATED	10							
6	1	123672-01782	SEAL, SD105X135X14L	1							
7	1	123900-01710	SUMP ASSY, OIL	1							
8	2	119640-01640	PLUG, DRAIN M22	1							
10	2	22190-220002	WASHER, SEAL 22	1							
11	1	26106-080122	BOLT, M8X 12 PLATED	22							
12	1	26106-080162	BOLT, M8X 16 PLATED	4							
13	1	977770-01212	GASKET, LIQUID	1							1

Remarks
(1) OPTIONAL PART.

Fig.4. CYLINDER HEAD & BONNET

(A)=4TNE106T-TBL

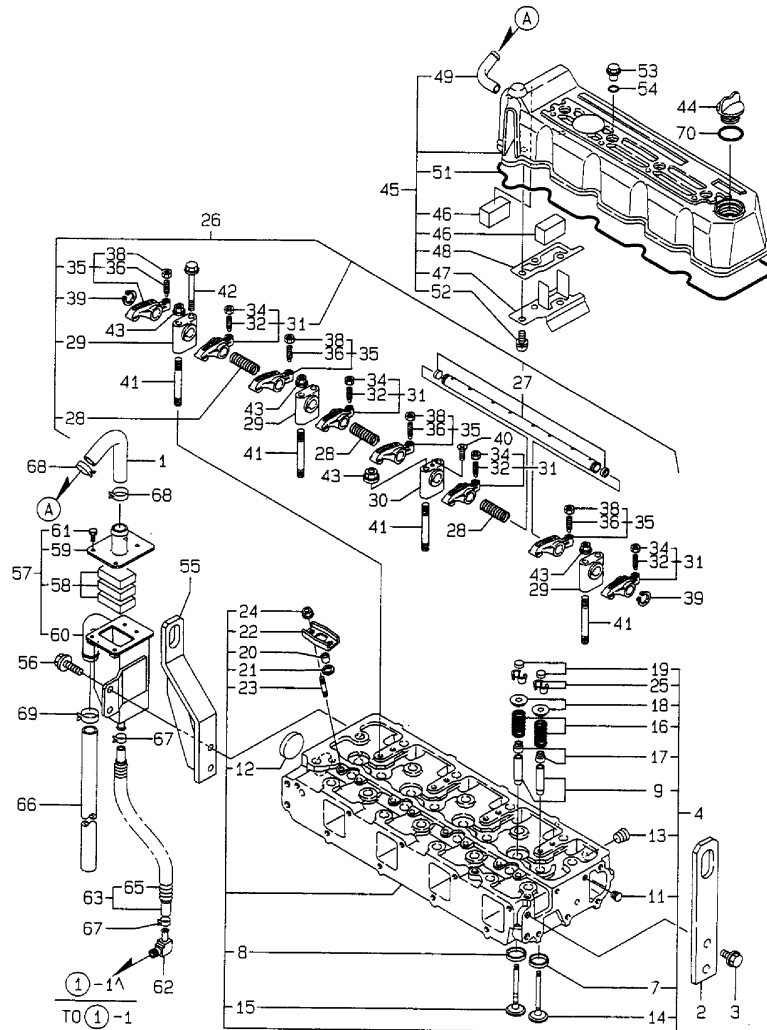
(B)=

(C)=

(D)=

(E)=

(F)=



No.	Lev.	Parts No.	Description	Q'ty						I	R
				(A)	(B)	(C)	(D)	(E)	(F)		
1	1	123901-03090	HOSE, BREATHER	1							
2	1	123900-07900	LIFTER	1							
3	1	26106-100202	BOLT, M10X 20 PLATED	2							
4	1	723900-11100	HEAD ASSY, CYLINDER	1							
7	2	123900-11080	SEAT, INTAKE VALVE	4							
8	2	123900-11090	SEAT, EXHAUST VALVE	4							
9	2	119000-11810	GUIDE, VALVE	8							1
11	2	23876-005000	PLUG, R005	1							
12	2	27241-400000	PLUG, 40	1							
13	2	23876-030000	PLUG, R03	1							
14	2	123900-11100	VALVE, INTAKE	4							
15	2	123900-11110	VALVE, EXHAUST	4							
16	2	123900-11120	SPRING, VALVE	8							
17	2	121850-11150	SEAL, VALVE STEM	8							
18	2	121850-11180	RETAINER, SPRING	8							
19	2	119171-11370	CAP, VALVE	8							
20	2	119625-11870	PROTECTOR, NOZZLE	4							
21	2	119625-11880	SEAT, NOZZLE	4							
22	2	119625-11900	RETAINER, NOZZLE	4							
23	2	26216-060252	STUD, M6X 25	8							
24	2	26366-060002	NUT, M6	8							
25	2	27310-090000	COTTER 9	16							
26	1	123900-11200	SUPPORT ASSY, ARM	1							
27	2	123900-11240	SHAFT, ROCKER ARM	1							
28	2	119000-11280	SPRING	3							
29	2	123900-11510	SUPPORT, ROCKER ARM	3							
30	2	123900-11520	SUPPORT, ROCKER ARM	1							
31	2	123900-11650	ARM, ROCKER	4							
32	3	129150-11230	SCREW, VALVE ADJUST	4							
34	3	129150-11750	NUT, M8	4							
35	2	123900-11660	ARM, ROCKER	4							
36	3	129150-11230	SCREW, VALVE ADJUST	4							
38	3	129150-11750	NUT, M8	4							
39	2	22242-000180	RING, 18	2							
40	2	26577-040162	SCREW, M4X16	1							
41	1	119593-11300	STUD, M8X80	4							
42	1	26106-080702	BOLT, M8X 70 PLATED	4							
43	1	26366-080002	NUT, M8	4							
44	1	124160-01751	COVER, FILLER	1							
45	1	123912-11330	BONNET ASSY, HEAD	1							
46	2	129150-03070	BAFFLE, BREATHER	2							
47	2	123900-03202	PLATE, BAFFLE	1							
48	2	123900-03210	GASKET	1							
49	2	123900-03220	JOINT	1							
51	2	123900-11310	GASKET, BONNET	1							
52	2	26022-050122	SCREW, M5X12	3							
53	1	124160-11360	KNOB	4							
54	1	24311-000120	O-RING, 1AP12.0	4							
55	1	123912-07900	LIFTER	1							
56	1	26106-100252	BOLT, M10X 25 PLATED	2							
57	1	123901-03270	BREATHER ASSY	1							

Remarks

(1) REPAIR PART.

Fig.4. CYLINDER HEAD & BONNET

(A)=4TNE106T-TBL

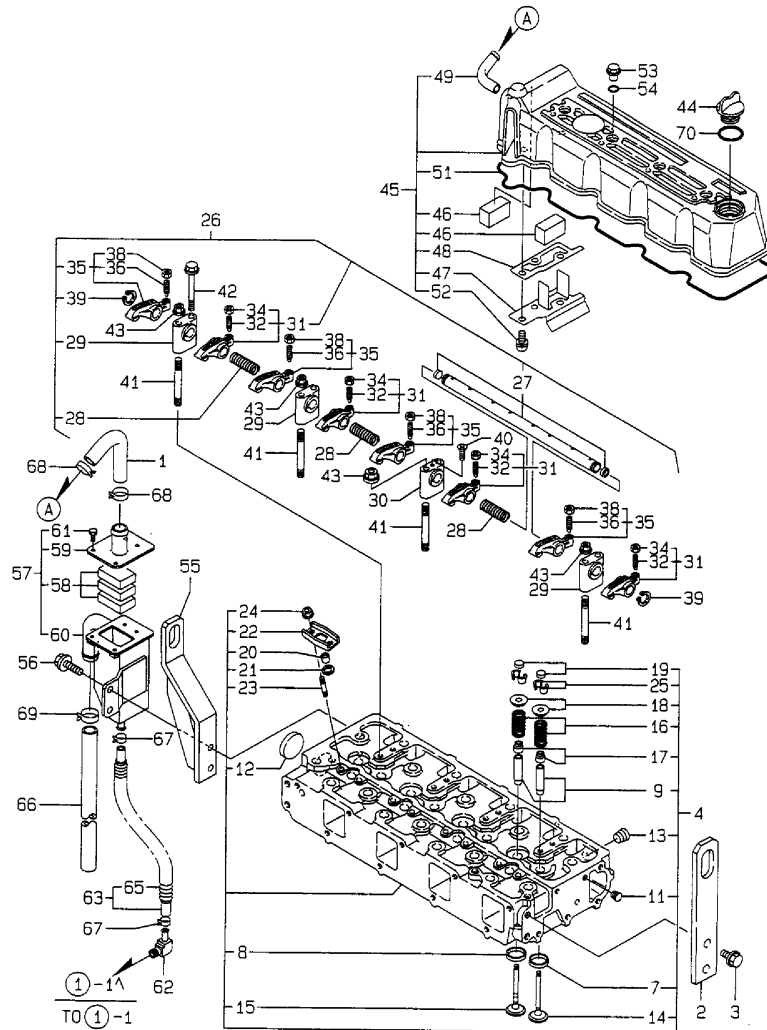
(B)=

(C)=

(D)=

(E)=

(F)=



No.	Lev.	Parts No.	Description	Q'ty						I	R
				(A)	(B)	(C)	(D)	(E)	(F)		
58	2	123901-03240	FILTER	3							
59	2	123901-03250	COVER, BREATHER	1							
60	2	123901-03260	BREATHER	1							
61	2	26116-050102	BOLT, M5X 10 PLATED	4							
62	1	123901-03280	ELBOW, PT3/8-10	1							
63	1	123912-03300	HOSE ASSY, RETURN	1							
65	2	123912-03270	TUBE, CORRUGATED	1							
66	1	123951-03090	HOSE, BREATHER	1							
67	1	23000-016000	CLAMP, 16	2							
68	1	23000-041000	CLAMP, 41	2							
69	1	23000-041000	CLAMP, 41	1							
70	1	24311-000320	O-RING, 1AP32.0	1							

Remarks

(1) REPAIR PART.

N:Old $\begin{matrix} \leftarrow \text{Yes} \\ \text{No} \end{matrix}$ New, Q:Old $\begin{matrix} \leftarrow \text{No} \\ \text{Yes} \end{matrix}$ New, R:Old $\begin{matrix} \leftarrow \text{Yes} \\ \text{Yes} \end{matrix}$ New, S:Old $\begin{matrix} \leftarrow \text{No} \\ \text{No} \end{matrix}$ New, W:Add, Z:Discontinued, F:Interchangeable by set, K:Q'ty Change

Fig.5. SUCTION MANIFOLD & AIR CLEANER

(A)=4TNE106T-TBL

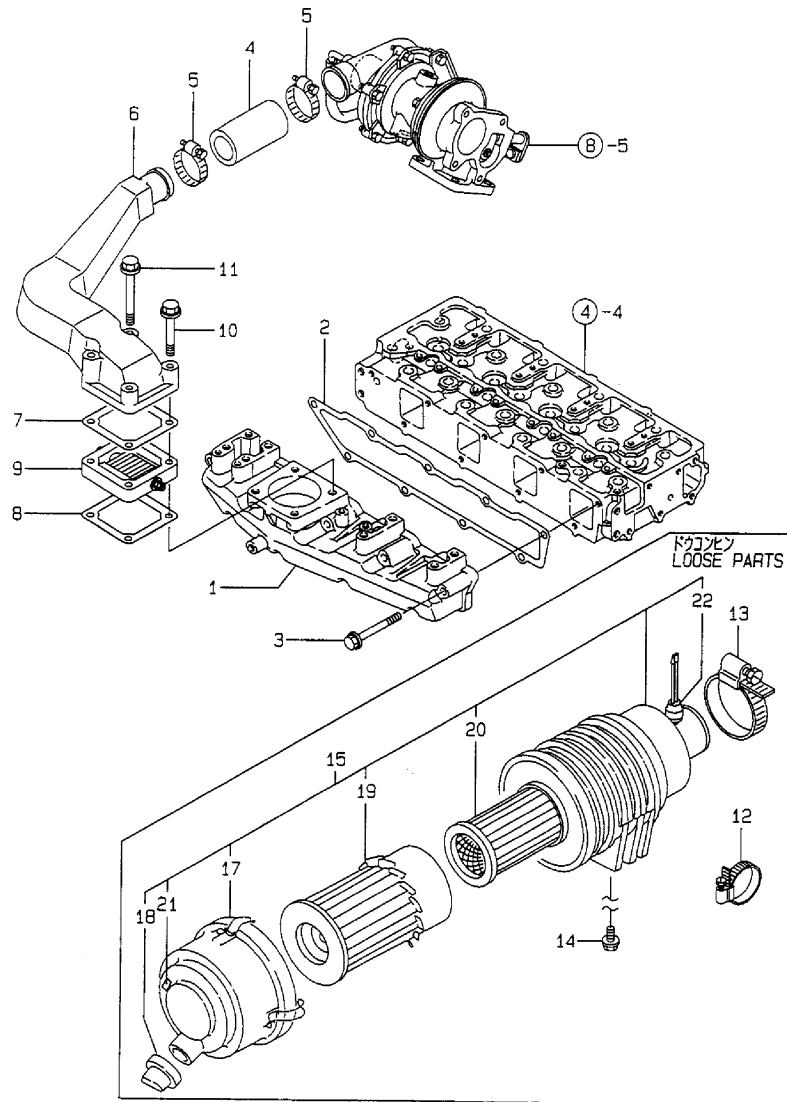
(B)=

(C)=

(D)=

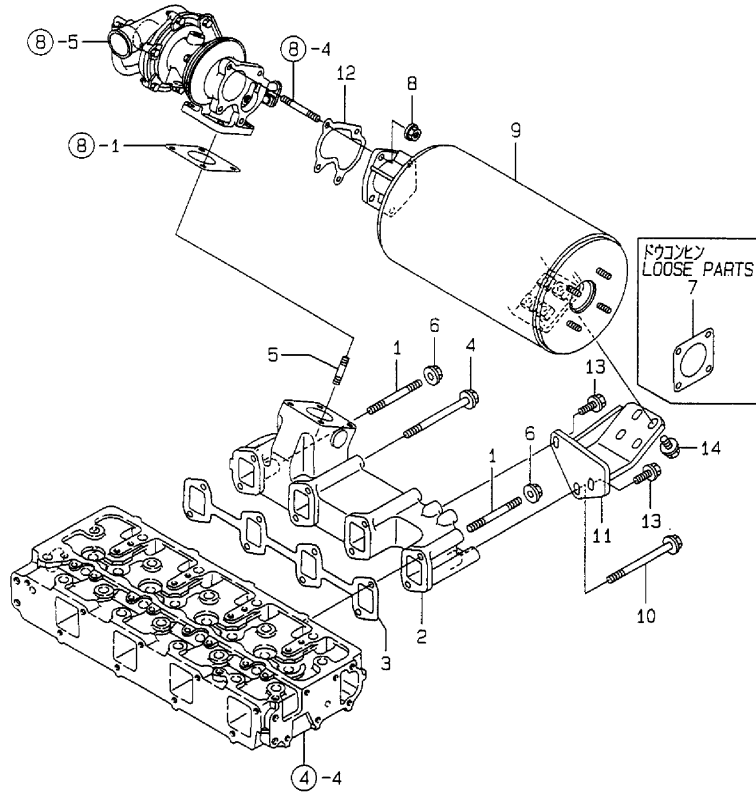
(E)=

(F)=



No.	Lev.	Parts No.	Description	Q'ty						I	R
				(A)	(B)	(C)	(D)	(E)	(F)		
1	1	123900-12100	MANIFOLD, AIR INTAKE	1							
2	1	123900-12110	GASKET, MANIFOLD	1							
3	1	26106-080702	BOLT, M8X 70 PLATED	9							
4	1	129595-18141	JOINT, RUBBER	1							
5	1	23000-054000	CLAMP, 54	2							
6	1	123912-18350	BEND, INTAKE	1							
7	1	123900-77020	GASKET	1							
8	1	123900-77030	GASKET	1							
9	1	123900-77500	HEATER	1							
10	1	26106-100752	BOLT, M10X 75 PLATED	2							
11	1	26106-100952	BOLT, M10X 95 PLATED	2							
12	1	23000-070000	CLAMP, 70	1							
13	1	23000-115000	CLAMP, 115	1							
14	1	26106-080162	BOLT, M8X 16 PLATED	4							
15	1	123912-12500	CLEANER ASSY, AIR	1							
17	2	123950-12520	COVER	1							
18	2	119160-12540	VALVE	1							
19	2	119117-12560	ELEMENT	1							
20	2	119117-12570	ELEMENT	1							
21	2	129612-12650	MARKING,(W)	1							
22	2	119140-12680	INDICATOR	1							

Fig.6. EXHAUST MANIFOLD & SILENCER



(A)=4TNE106T-TBL

(B)=

(C)=

(D)=

(E)=

(F)=

No.	Lev.	Parts No.	Description	Q'ty						I	R
				(A)	(B)	(C)	(D)	(E)	(F)		
1	1	123900-13610	STUD, M8X80	2							
2	1	123901-13200	MANIFOLD, EXHAUST	1							
3	1	123900-13110	GASKET	1							
4	1	129693-44310	BOLT	5							
4-1	1	119802-13820	BOLT, M8X100 9.8T	5							N
(A=*2009.12)											
5	1	129418-18320	STUD, M8X20	4							
6	1	26366-080002	NUT, M8	2							
6-1	1	26306-080002	NUT, M8	2							N
(A=EXXX)											
7	1	129400-13201	GASKET, SILENCER	1							
8	1	26366-080002	NUT, M8	4							
9	1	123912-13500	SILENCER	1							
10	1	123900-13650	BOLT, M8X110	1							
11	1	123912-13650	STAY, SILENCER	1							
12	1	123901-18080	GASKET	1							
13	1	26106-080222	BOLT, M8X 22 PLATED	2							
14	1	26106-080222	BOLT, M8X 22 PLATED	4							

Fig.7. CAMSHAFT & DRIVING GEAR

(A)=4TNE106T-TBL

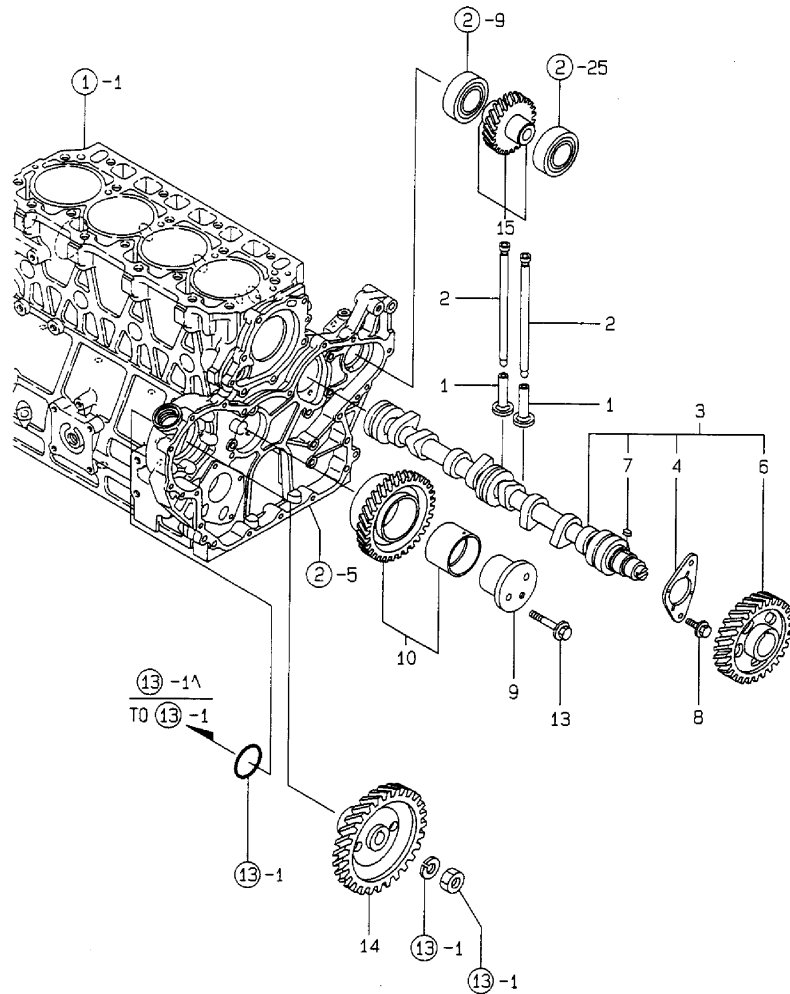
(B)=

(C)=

(D)=

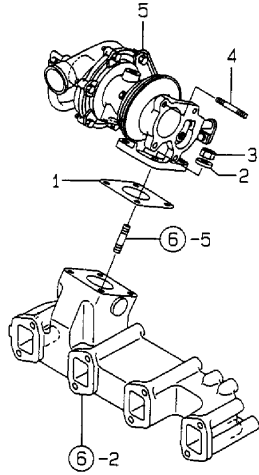
(E)=

(F)=



No.	Lev.	Parts No.	Description	Q'ty						I	R
				(A)	(B)	(C)	(D)	(E)	(F)		
1	1	123900-14200	TAPPET	8							
2	1	123900-14400	ROD, PUSH	8							
3	1	123901-14590	CAMSHAFT ASSY	1							
4	2	129150-02450	BEARING, THRUST	1							
6	2	129900-14110	GEAR, CAMSHAFT	1							
7	2	22512-070140	KEY, 7X 14	1							
8	1	26106-080142	BOLT, M8X 14 PLATED	2							
9	1	123900-25060	SHAFT, IDLE GEAR	1							
10	1	123900-25130	GEAR ASSY, IDLE	1							
13	1	26106-080552	BOLT, M8X 55 PLATED	3							
14	1	129900-25900	GEAR, PUMP	1							
15	1	129900-26020	GEAR ASSY, PUMP	1							

Fig.8. TURBINE

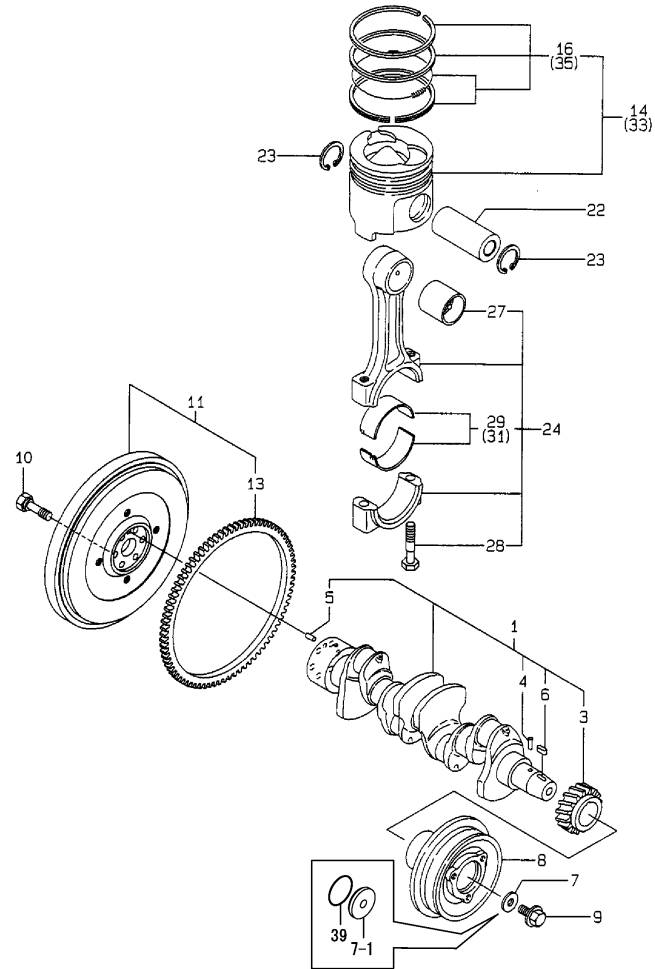


(A)=4TNE106T-TBL
(B)=
(C)=

(D)=
(E)=
(F)=

No.	Lev.	Parts No.	Description	Q'ty						I	R
				(A)	(B)	(C)	(D)	(E)	(F)		
1	1	123901-18090	GASKET	1							
2	1	22117-080000	WASHER, 8	4							
3	1	26703-080002	NUT, M8	4							
4	1	26213-080222	STUD, M8X 22	4							
5	1	123912-18011	TURBINE, RHF5	1							

Fig.9. CRANKSHAFT & PISTON



(A)=4TNE106T-TBL

(B)=

(C)=

(D)=

(E)=

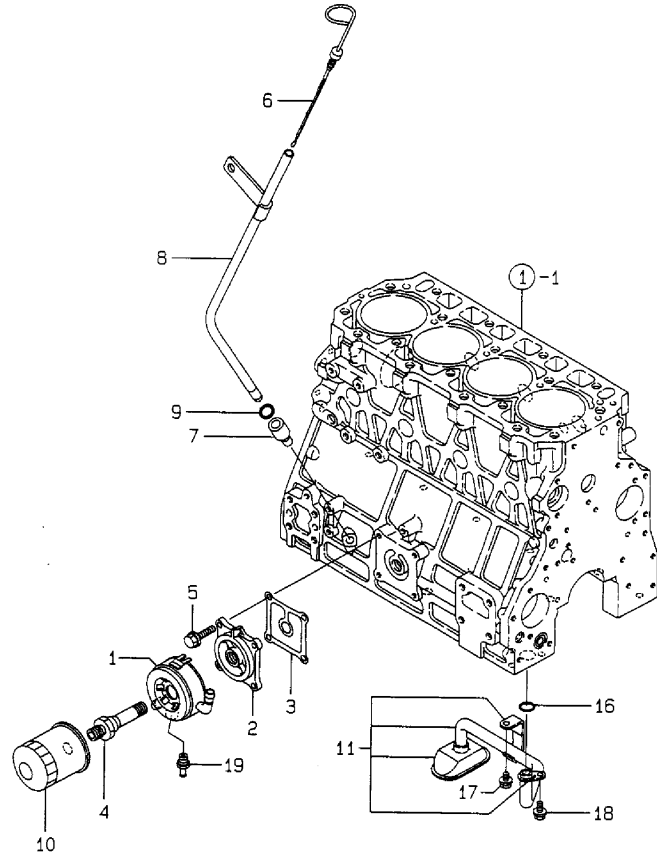
(F)=

No.	Lev.	Parts No.	Description	Q'ty						I	R
				(A)	(B)	(C)	(D)	(E)	(F)		
1	1	123900-21050	CRANKSHAFT ASSY	1							
3	2	129900-21220	GEAR, CRANKSHAFT	1							
4	2	121850-21290	PIN	1							
5	2	121850-21920	PIN, M10X22	1							
6	2	22512-070140	KEY, 7X 14	1							
7	1	129900-21640	WASHER	1							
7-1	1	129960-21640	WASHER	1						F	4
(A=*2008.01.)											
8	1	123900-21650	V-PULLEY	1							
8-1	1	123946-21660	V-PULLEY, 150	1						F	4
(A=*2008.01.)											
9	1	121850-21680	BOLT	1							
9-1	1	129916-21610	BOLT	1						F	4
(A=*2008.01.)											
10	1	121850-21130	BOLT, FLYWHEEL	6							
11	1	123912-21570	FLYWHEEL ASSY	1							
13	2	127410-21480	GEAR, RING Z=129	1							
14	1	123901-22080	PISTON ASSY	4							
16	2	123900-22050	RING SET, PISTON	4							
22	1	119173-22300	PIN, PISTON	4							
23	1	22252-000370	RING, 37	8							
24	1	123900-23000	ROD ASSY, CONNECTING	4							
27	2	123900-23910	BEARING, PISTON PIN	4							1
28	2	123900-23200	BOLT, CONNECTING ROD	8							
29	2	123900-23600	BEARING, CRANK PIN	4							
31	1	123900-23610	BEARING, 0.25 US	4							2
33	1	123901-22900	PISTON ASSY, 0.25 OS	4							3
35	2	123900-22950	RING SET, 0.25 OS	4							3
39	1	24341-000530	O-RING, 1AS53.0	1						W	4
(A=*2008.01.)											

Remarks

- (1) REPAIR PART.
- (2) UNDER-SIZE (U.S=0.25) PART.
- (3) OVER-SIZE (O.S=0.25) PART.
- (4) REF.NO.7-1,8-1,9-1 & 39 FIG.NO.2
- REF.NO.3-1 INTERCHANGEABLE BY SET

Fig.10. LUB.OIL SYSTEM



(A)=4TNE106T-TBL

(B)=

(C)=

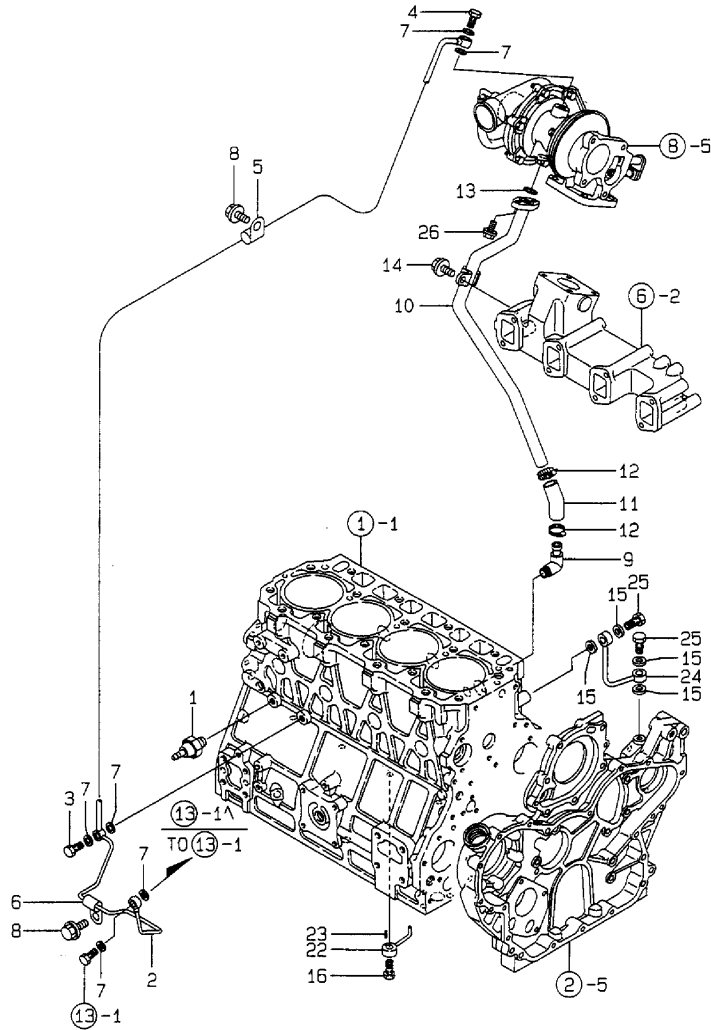
(D)=

(E)=

(F)=

No.	Lev.	Parts No.	Description	Q'ty						I	R
				(A)	(B)	(C)	(D)	(E)	(F)		
1	1	123912-33011	COOLER ASSY, OIL	1							
1A	2	X0240140510	GASKET	1							
2	1	123912-33040	BRACKET ASSY, COOLER	1							
3	1	123900-33060	GASKET	1							
4	1	123912-33100	BOLT, COOLER	1							
5	1	26106-080202	BOLT, M8X 20 PLATED	4							
6	1	129951-34801	DIPSTICK, OIL	1							
7	1	119260-34810	GUIDE, DIPSTICK	1							
8	1	123912-34810	GUIDE, DIPSTICK	1							
9	1	24311-240100	O-RING, 1AP10A	1							
10	1	119005-35100	FILTER, D80X100L	1							
11	1	123900-35000	PIPE ASSY, OIL INLET	1							
16	1	24314-000180	O-RING, 4CP18.0	1							
17	1	26106-080122	BOLT, M8X 12 PLATED	1							
18	1	26106-080162	BOLT, M8X 16 PLATED	1							
19	1	121550-49111	JOINT, PT1/4	1							

Fig.11. LUB.OIL LINE



(A)=4TNE106T-TBL

(B)=

(C)=

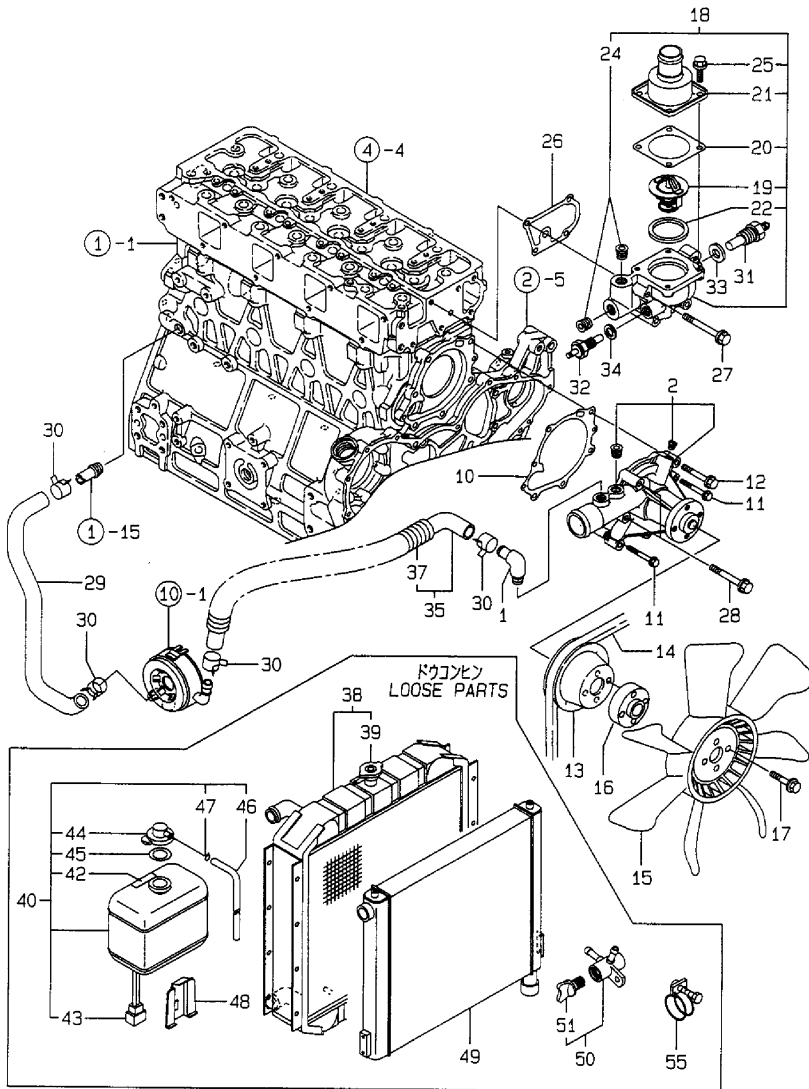
(D)=

(E)=

(F)=

No.	Lev.	Parts No.	Description	Qty						I	R
				(A)	(B)	(C)	(D)	(E)	(F)		
1	1	114250-39450	SWITCH, 0.5KG	1							
2	1	123912-39060	PIPE, OIL	1							
3	1	124160-39140	BOLT, PIPE JOINT M10	1							
4	1	121252-39150	BOLT, JOINT M10X1.5	1							
5	1	124223-39900	RETAINER	1							
6	1	23297-060081	CLAMP, A6X 8	1							
7	1	23414-100000	GASKET, 10X1.0	6							
8	1	26106-080122	BOLT, M8X 12 PLATED	2							
9	1	124070-13300	ELBOW, PT3/8	1							
10	1	123912-39600	PIPE, OIL	1							
11	1	123901-39820	HOSE	1							
12	1	23000-025000	CLAMP, 25	2							
13	1	24314-000180	O-RING, 4CP18.0	1							
14	1	26106-080142	BOLT, M8X 14 PLATED	1							
15	1	22190-080002	WASHER, SEAL 6	4							
16	1	129792-39410	VALVE ASSY, CHECK	4							
22	1	123900-39650	NOZZLE	4							
23	1	22351-030010	PIN, SPRING 3.0X10	4							
24	1	123950-39050	PIPE ASSY, OIL	1							
25	1	105010-39140	BOLT, PIPE JOINT	2							
26	1	26106-060162	BOLT, M6X 16 PLATED	2							

Fig.12. COOLING WATER SYSTEM



(A)=4TNE106T-TBL

(B)=

(C)=

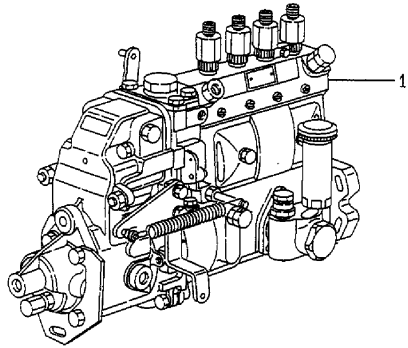
(D)=

(E)=

(F)=

No.	Lev.	Parts No.	Description	Q'ty						I	R
				(A)	(B)	(C)	(D)	(E)	(F)		
1	1	129466-49300	ELBOW, PT3/8	1							
2	1	123900-42000	PUMP ASSY, WATER	1							
10	1	123900-42050	GASKET, WATER PUMP	1							
11	1	26106-060502	BOLT, M6X 50 PLATED	2							
12	1	26106-080552	BOLT, M8X 55 PLATED	4							
13	1	123900-42470	V-PULLEY, B 130	1							
14	1	123910-42480	V-BELT, B47	1							
14-1	1	25163-004701 (A=E19791)	V-BELT, B47H	1							N
15	1	123915-44740	FAN, COOLING	1							
16	1	123900-44761	SPACER, FAN	1							
16-1	1	123911-44780 (A=E19791)	SPACER, FAN	1							N
17	1	26106-100452	BOLT, M10X 45 PLATED	4							
17-1	1	26106-100602 (A=E19791)	BOLT, M10X 60 PLATED	4							N
18	1	123900-49800	CASE ASSY, THERMOSTAT	1							
19	2	124610-48620	THERMOSTAT, 82	1							
20	2	124610-49291	GASKET	1							
21	2	123550-49530	COVER, THERMOSTAT	1							
22	2	123500-49550	GASKET	1							
24	2	23876-030000	PLUG, R03	2							
25	2	26106-080142	BOLT, M8X 14 PLATED	4							
26	1	123900-49820	GASKET	1							
27	1	26106-080602	BOLT, M8X 60 PLATED	4							
28	1	26106-080702	BOLT, M8X 70 PLATED	2							
29	1	123912-49031	PIPE, WATER	1							
30	1	23000-025000	CLAMP, 25	4							
31	1	119266-49350	SWITCH	1							
32	1	121250-44901	SWITCH, 110	1							
33	1	124465-44950	GASKET, 16	1							
34	1	129150-49360	GASKET	1							
35	1	119642-49050	PIPE, WATER	1							
37	2	119642-49090	TUBE, CORRUGATED	1							
38	1	123912-44500	RADIATOR ASSY	1							
39	2	119259-44570	CAP, RADIATOR	1							
40	1	121850-44800	TANK ASSY, RESERVE	1							
42	2	121850-44830	LABEL, RESERVE TANK	1							
43	2	121850-44840	SWITCH ASSY	1							
44	2	121850-44850	CAP	1							
45	2	121850-44860	GASKET	1							
46	2	121850-44870	HOSE	1							
47	2	121850-44880	CLAMP	1							
48	1	120147-44810	BRACKET	1							
49	1	123912-44900	COOLER ASSY, OIL	1							
50	1	129150-49100	COCK ASSY, 3-WAY	1							
51	2	129150-49080	COCK, DRAIN	1							
55	1	23000-060000	CLAMP, 60	4							

Fig.13. FUEL INJECTION PUMP

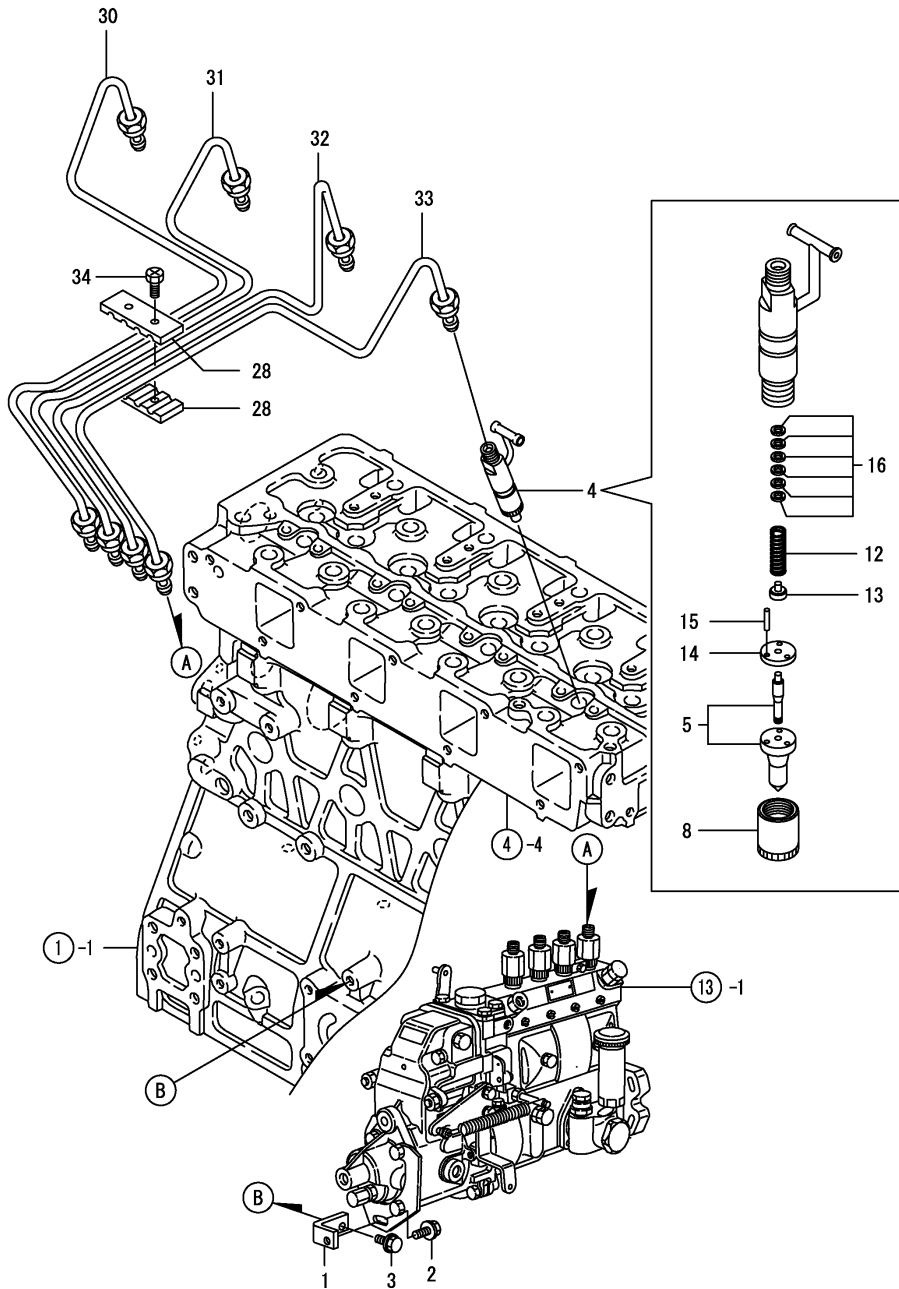


(A)=4TNE106T-TBL
(B)=
(C)=

(D)=
(E)=
(F)=

No.	Lev.	Parts No.	Description	Q'ty						I	R	
				(A)	(B)	(C)	(D)	(E)	(F)			
1	1	123912-51020	PUMP ASSY, INJECTION	1								

Fig.14. FUEL INJECTION VALVE



(A)=4TNE106T-TBL

(B)=

(C)=

(D)=

(E)=

(F)=

No.	Lev.	Parts No.	Description	Q'ty						I	R
				(A)	(B)	(C)	(D)	(E)	(F)		
1	1	123901-01950	STAY	1							
2	1	26106-100142	BOLT, M10X 14 PLATED	1							
3	1	26106-080202	BOLT, M8X 20 PLATED	1							
4	1	723900-53200	VALVE ASSY,INJECTION	4							
5	2	123900-53050	VALVE ASSY,INJECTION	4							
8	2	114250-53080	NUT, NOZZLE D16.95	4							
12	2	114250-53120	SPRING, NOZZLE	4							
13	2	114250-53130	SEAT, SPRING	4							
14	2	114250-53140	PLATE	4							
15	2	114250-53210	PIN	8							
16	2	114250-53400	SHIM SET	4							
28	1	123472-59120	RETAINER, PIPE	2							
30	1	123901-59811	PIPE ASSY, INJECTION	1							
31	1	123901-59821	PIPE ASSY, INJECTION	1							
32	1	123901-59830	PIPE ASSY, INJECTION	1							
33	1	123901-59840	PIPE ASSY, INJECTION	1							
34	1	26106-060202	BOLT, M6X 20 PLATED	2							

Fig.15. FUEL LINE

(A)=4TNE106T-TBL

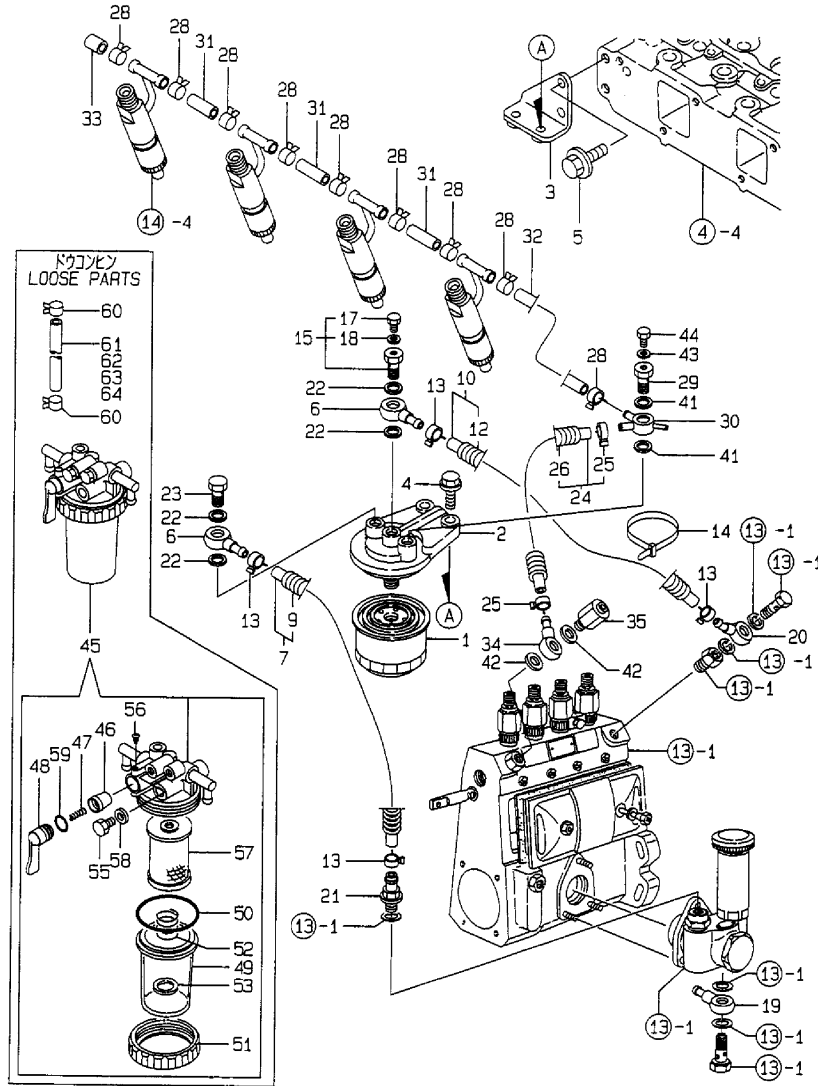
(B)=

(C)=

(D)=

(E)=

(F)=



No.	Lev.	Parts No.	Description	Q'ty						I	R
				(A)	(B)	(C)	(D)	(E)	(F)		
1	1	119000-55600	FILTER, FUEL	1							
2	1	129470-55610	BODY, STRAINER	1							
3	1	123912-55900	BRACKET, FILTER	1							
4	1	26106-100252	BOLT, M10X 25 PLATED	2							
5	1	26106-100182	BOLT, M10X 18 PLATED	2							
6	1	101304-59020	JOINT, PIPE 12	2							
7	1	119560-59051	PIPE ASSY, FUEL	1							
9	2	119560-59110	TUBE, CORRUGATED	1							
10	1	119560-59040	PIPE, D13/7.5X700	1							
12	2	119560-59120	TUBE, CORRUGATED	1							
13	1	124766-59050	CLIP, HOSE 12	4							
14	1	121750-59890	BAND, 140	1							
15	1	103854-59191	BOLT ASSY, JOINT M12	1							
17	2	124060-59380	PLUG, 6	1							
18	2	22190-060002	WASHER, SEAL 6	1							
19	1	121855-59880	JOINT, PIPE	1							
20	1	121855-59880	JOINT, PIPE	1							
21	1	121250-49110	JOINT, PIPE	1							
22	1	22190-120002	WASHER, SEAL 12	4							
23	1	23857-060000	BOLT, JOINT 6	1							
24	1	129950-59211	PIPE, FUEL	1							
25	2	124766-59050	CLIP, HOSE 12	2							
26	2	129950-59221	TUBE, CORRUGATED	1							
28	1	124066-59100	CLIP, HOSE 8	9							
29	1	129495-59300	BOLT, PIPE JOINT	1							
30	1	129980-59530	JOINT	1							
31	1	121250-59550	PIPE, FUEL D8X120	3							
32	1	124732-59562	PIPE, FUEL D8X230	1							
33	1	129150-59580	CAP	1							
34	1	121855-59880	JOINT, PIPE	1							
35	1	128300-59910	VALVE ASSY, OVERFLOW	1							
41	1	22190-140002	WASHER, SEAL 14	2							
42	1	22190-140002	WASHER, SEAL 14	2							
43	1	22190-080002	WASHER, SEAL 6	1							
44	1	26106-080102	BOLT, M8X 10 PLATED	1							
45	1	129335-55700	SEPARATOR ASSY, WATER	1							
46	2	104200-55321	VALVE, TAPER	1							
47	2	104200-55330	SPRING, VALVE	1							
48	2	104200-55341	HANDLE	1							
49	2	124064-55510	COVER	1							
50	2	102103-55520	O-RING	1							
51	2	110250-55610	RING, RETAINING	1							
52	2	121257-55720	SPRING	1							
53	2	121257-55731	FLOAT	1							
55	2	101720-55750	PLUG, 6	2							
56	2	104200-55750	SCREW, M4	1							
57	2	171081-55910	SCREEN	1							
58	2	23418-060000	GASKET, 6X1.0	2							
59	2	24311-240100	O-RING, 1AP10A	1							
60	1	124722-59050	CLIP, HOSE 9	6							
61	1	121137-59080	PIPE, FUEL D12X1150	1							

Fig.15. FUEL LINE

(A)=4TNE106T-TBL
(B)=
(C)=

(D)=
(E)=
(F)=

No.	Lev.	Parts No.	Description	Qty						I	R
				(A)	(B)	(C)	(D)	(E)	(F)		
62	1	121522-59080	PIPE, FUEL	1							
63	1	124520-59080	PIPE, FUEL D7/12X580	1							
64	1	121522-59090	PIPE, FUEL D12X900	1							

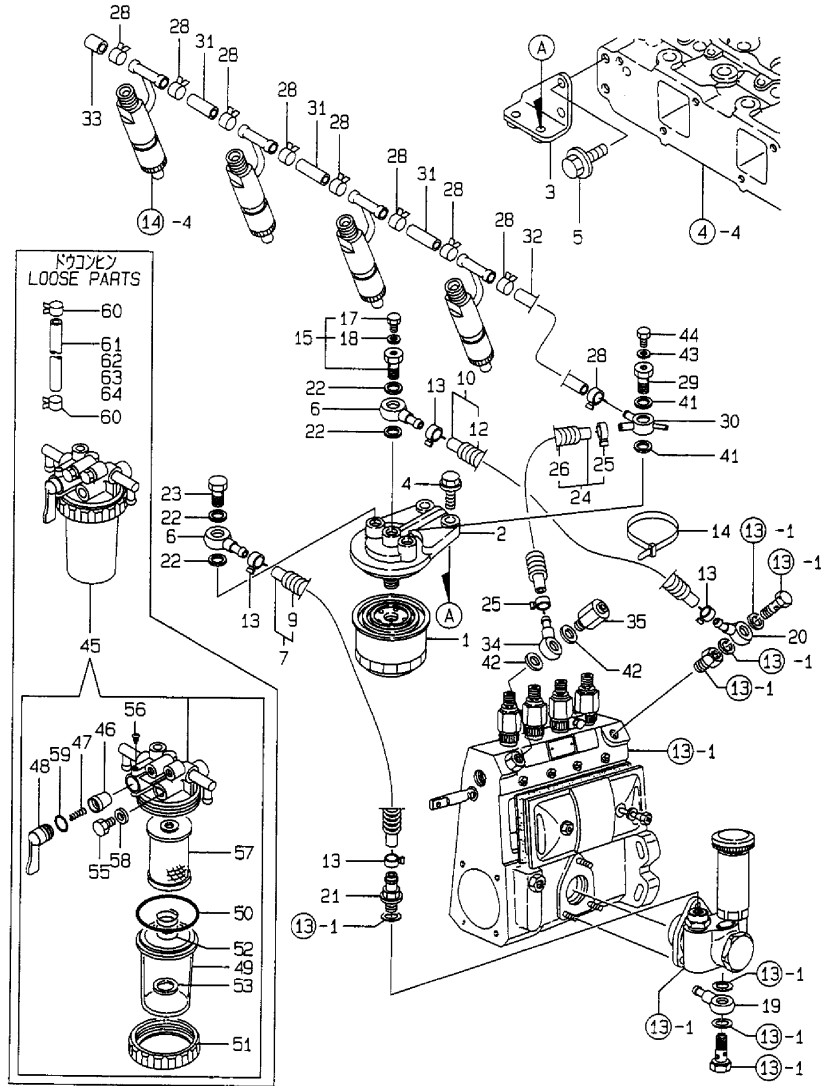
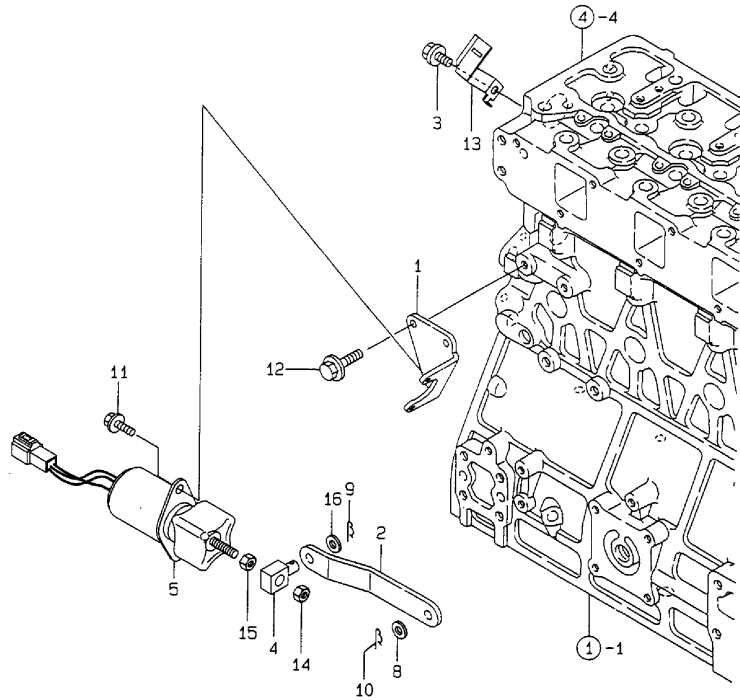


Fig.16. ENGINE STOP DEVICE



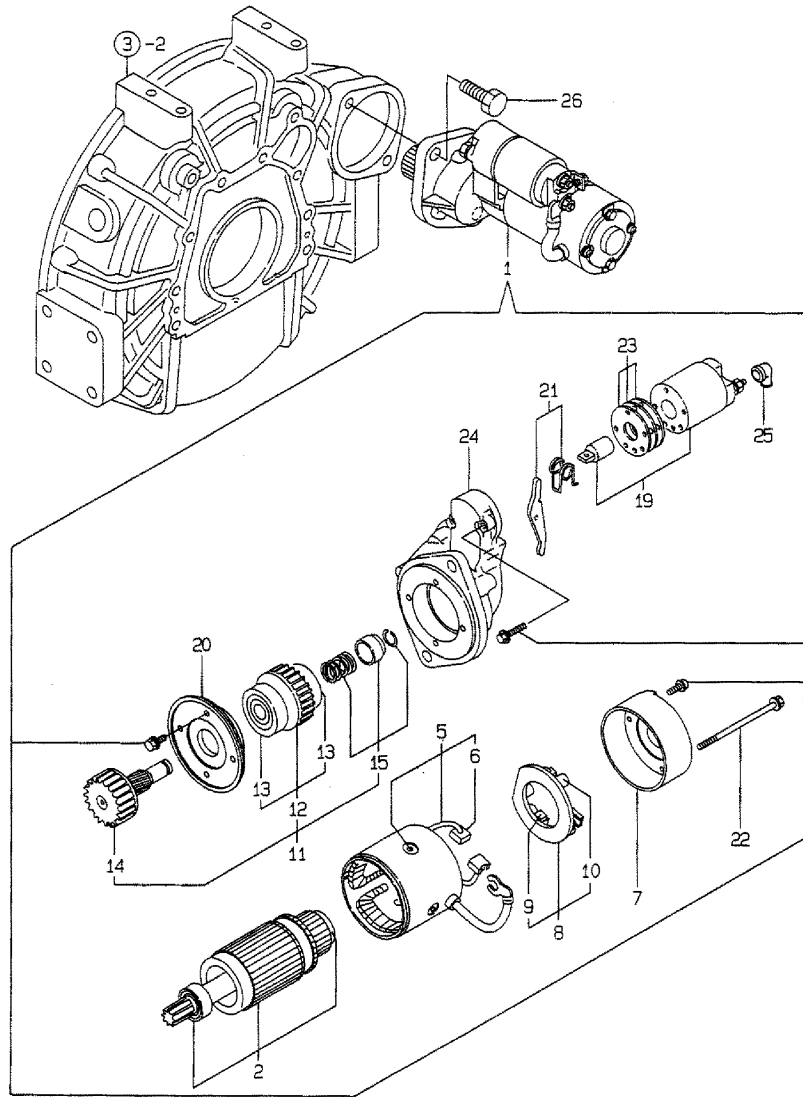
No.	Lev.	Parts No.	Description	Q'ty						I	R
				(A)	(B)	(C)	(D)	(E)	(F)		
1	1	123901-66820	BRACKET, SOLENOID	1							
1-1	1	123901-66821	BRACKET, SOLENOID	1							F 1
(A=E18792.)											
2	1	123901-66840	LINK, SOLENOID	1							
2-1	1	123901-66841	LINK, SOLENOID	1							F 1
(A=E18792.)											
3	1	26106-080122	BOLT, M8X 12 PLATED	1							
4	1	123900-66820	JOINT	1							
4-1	1	119620-66820	JOINT	1							F 1
(A=E18792.)											
5	1	129953-77803	SOLENOID, STOP	1							
8	1	22117-060000	WASHER, 6	1							
9	1	22360-060000	PIN, SNAP 6	1							
10	1	22360-060000	PIN, SNAP 6	1							
11	1	26106-060102	BOLT, M6X 10 PLATED	2							
12	1	26106-080162	BOLT, M8X 16 PLATED	2							
13	1	129136-66852	SUPPORT	1							
14	1	26346-060002	NUT, M6	1							
14-1	1	26716-060002	NUT, M6	1							F 1
(A=E18792.)											
15	1	26716-060002	NUT, M6	1							Z
(A=E18792.)											
16	1	22117-060000	WASHER, 6	1							

Remarks
 (1) REF.NO.1-1,2-1,4-1 & 14-1
 INTERCHANGEABLE BY SET.

Fig.17. STARTING MOTOR

(A)=4TNE106T-TBL
(B)=
(C)=

(D)=
(E)=
(F)=



No.	Lev.	Parts No.	Description	Q'ty						I	R
				(A)	(B)	(C)	(D)	(E)	(F)		
1	1	123900-77010	STARTER	1							
2	2	123900-77400	ARMATURE ASSY	1							
5	2	123900-77440	COIL ASSY, FIELD	1							
6	3	123900-77450	BRUSH (+)	2							
7	2	123900-77460	COVER, REAR	1							
8	2	123900-77480	HOLDER, BRUSH	1							
9	3	123900-77450	BRUSH (+)	2							
10	3	121254-77590	SPRING, BRUSH	4							
11	2	123900-77510	PINION ASSY	1							
12	3	123900-77520	CLUTCH ASSY	1							
13	4	X2240610100	BALL BEARING (3	2							
14	3	123900-77540	SHAFT, PINION	1							
15	3	119131-77550	STOPPER KIT, PINION	1							
19	2	129900-77591	SWITCH ASSY,MAGNETIC	1							
20	2	123900-77610	RETAINER, BEARING	1							
21	2	129900-77620	SHIFT LEVER SET	1							
22	2	123900-77640	THROUGH BOLT	2							
23	2	123900-77650	COVER ASSY, DUST	1							
24	2	123900-77710	HOUSING, GEARS	1							
25	2	171008-77750	COVER, M TERMINAL	1							
26	1	26116-120302	BOLT, M12X 30 PLATED	2							

Fig.18. GENERATOR

(A)=4TNE106T-TBL
(B)=
(C)=

(D)=
(E)=
(F)=

No.	Lev.	Parts No.	Description	Q'ty						I	R
				(A)	(B)	(C)	(D)	(E)	(F)		
1	1	123900-77340	PIECE, DISTANCE	1							
2	1	22137-100000	WASHER, 10	1							
3	1	26116-101202	BOLT, M10X120 PLATED	1							
4	1	26366-100002	NUT, M10	1							
5	1	123900-77330	ADJUSTER	1							
6	1	119005-77350	BOLT, M8X25	1							
7	1	26014-080252	BOLT, M8X 25	1							
8	1	121236-77340	SPACER	1							
9	1	129100-77910	RELAY, MAGNETIC	1							
10	1	129211-77920	TIMER	1							
11	1	128300-77920	TIMER	1							
12	1	123900-77210	GENERATOR(12V-60A	1							
13	1	129136-77200	RELAY, SAFETY	1							
14	1	129322-77401	PUMP ASSY, FUEL FEED	1							

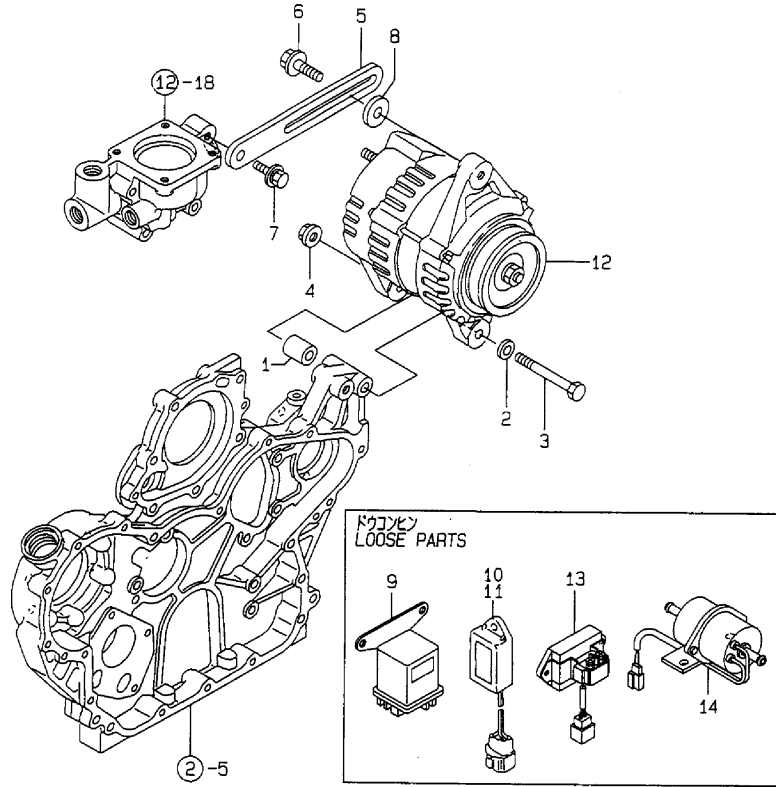


Fig.19. GASKET SET

(A)=4TNE106T-TBL

(B)=

(C)=

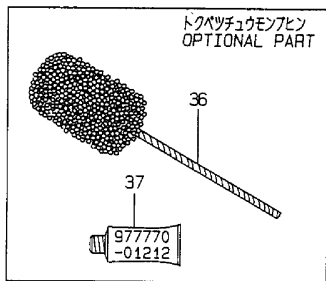
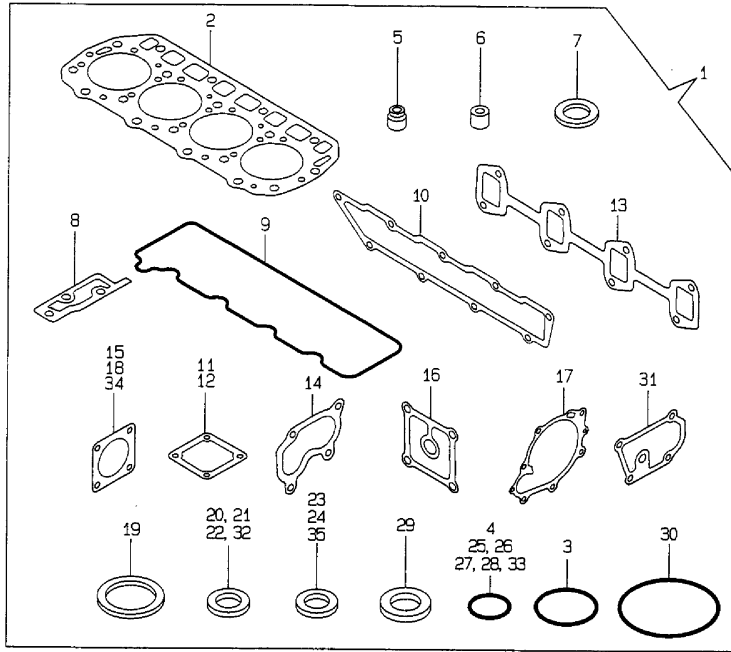
(D)=

(E)=

(F)=

Q'ty

No.	Lev.	Parts No.	Description	Q'ty						I	R
				(A)	(B)	(C)	(D)	(E)	(F)		
1	1	723900-92640	GASKET SET	1							1
2	2	123900-01340	GASKET, HEAD	1							
3	2	24311-000320	O-RING, 1AP32.0	2							
4	2	24311-000110	O-RING, 1AP11.0	1							
5	2	121850-11150	SEAL, VALVE STEM	8							
6	2	119625-11870	PROTECTOR, NOZZLE	4							
7	2	119625-11880	SEAT, NOZZLE	4							
8	2	123900-03210	GASKET	1							
9	2	123900-11310	GASKET, BONNET	1							
10	2	123900-12110	GASKET, MANIFOLD	1							
11	2	123900-77020	GASKET	1							
12	2	123900-77030	GASKET	1							
13	2	123900-13110	GASKET	1							
14	2	123901-18080	GASKET	1							
15	2	123901-18090	GASKET	1							
16	2	123900-33060	GASKET	1							
17	2	123900-42050	GASKET, WATER PUMP	1							
18	2	124610-49291	GASKET	1							
19	2	123500-49550	GASKET	1							
20	2	22190-080002	WASHER, SEAL 6	5							
21	2	22190-120002	WASHER, SEAL 12	4							
22	2	22190-140002	WASHER, SEAL 14	4							
23	2	23414-100000	GASKET, 10X1.0	6							
24	2	124465-44950	GASKET, 16	1							
25	2	129900-32030	O-RING, P20	1							
26	2	129900-32040	O-RING, P14	1							
27	2	24311-000120	O-RING, 1AP12.0	4							
28	2	24314-000180	O-RING, 4CP18.0	2							
29	2	22190-220002	WASHER, SEAL 22	1							
30	2	24321-000850	O-RING, 1AG85.0	1							
31	2	123900-49820	GASKET	1							
32	2	22190-060002	WASHER, SEAL 6	1							
33	2	24311-240100	O-RING, 1AP10A	1							
34	2	129400-13201	GASKET, SILENCER	1							
35	2	129150-49360	GASKET	1							
36	1	129400-92450	HONE	1							1
37	1	977770-01212	GASKET, LIQUID	1							1



Remarks
(1) OPTIONAL PART.

Parts No. Index

Parts No.	Fig. No.	Ref. No.
101304-59020	15	6
101720-55750	15	55
102103-55520	15	50
103854-59191	15	15
104200-55321	15	46
104200-55330	15	47
104200-55341	15	48
104200-55750	15	56
105010-39140	11	25
110250-55610	15	51
114250-39450	11	1
114250-53080	14	8
114250-53120	14	12
114250-53130	14	13
114250-53140	14	14
114250-53210	14	15
114250-53400	14	16
119000-11280	4	28
119000-11810	4	9
119000-55600	15	1
119005-35100	10	10
119005-77350	18	6
119117-12560	5	19
119117-12570	5	20
119131-77550	17	15
119140-12680	5	22
119160-12540	5	18
119171-11370	4	19
119173-22300	9	22
119174-01200	1	22
119259-44570	12	39
119260-34810	10	7
119266-49350	12	31
119560-59040	15	10
119560-59051	15	7
119560-59110	15	9
119560-59120	15	12
119593-11300	4	41
119620-01750	3	4
119620-66820	16	4 -1
119625-11870	4	20
	19	6
119625-11880	4	21
	19	7
119625-11900	4	22
119640-01640	3	8
119642-49050	12	35
119642-49090	12	37
119802-13820	6	4 -1
120147-44810	12	48

Parts No.	Fig. No.	Ref. No.
121023-26070	2	27
121137-59080	15	61
121236-77340	18	8
121250-44901	12	32
121250-49110	15	21
121250-59550	15	31
121252-39150	11	4
121254-77590	17	10
121257-55720	15	52
121257-55731	15	53
121522-59080	15	62
121522-59090	15	64
121550-49111	10	19
121750-59890	15	14
121850-11150	4	17
	19	5
121850-11180	4	18
121850-21130	9	10
121850-21290	9	4
121850-21680	9	9
121850-21920	9	5
121850-44800	12	40
121850-44830	12	42
121850-44840	12	43
121850-44850	12	44
121850-44860	12	45
121850-44870	12	46
121850-44880	12	47
121851-11970	1	15
121855-59880	15	19
		20
		34
123472-59120	14	28
123500-49550	12	22
	19	19
123550-49530	12	21
123672-01782	3	6
123900-01340	1	23
	19	2
123900-01620	3	2
123900-01710	3	7
123900-01740	2	4
123900-01780	2	3
123900-01830	2	5
123900-02020	1	5
123900-02340	1	24
123900-02410	1	8
123900-02800	1	16
123900-02930	1	19
123900-02940	1	27

Parts No.	Fig. No.	Ref. No.
123900-03202	4	47
123900-03210	4	48
	19	8
123900-03220	4	49
123900-07900	4	2
123900-11080	4	7
123900-11090	4	8
123900-11100	4	14
123900-11110	4	15
123900-11120	4	16
123900-11200	4	26
123900-11240	4	27
123900-11310	4	51
	19	9
123900-11510	4	29
123900-11520	4	30
123900-11650	4	31
123900-11660	4	35
123900-12100	5	1
123900-12110	5	2
	19	10
123900-13110	6	3
	19	13
123900-13610	6	1
123900-13650	6	10
123900-14200	7	1
123900-14400	7	2
123900-21050	9	1
123900-21650	9	8
123900-22050	9	16
123900-22950	9	35
123900-23000	9	24
123900-23200	9	28
123900-23600	9	29
123900-23610	9	31
123900-23910	9	27
123900-25060	7	9
123900-25130	7	10
123900-32001	2	7
123900-33060	10	3
	19	16
123900-35000	10	11
123900-39650	11	22
123900-42000	12	2
123900-42050	12	10
	19	17
123900-42470	12	13
123900-44761	12	16
123900-49800	12	18
123900-49820	12	26

Parts No.	Fig. No.	Ref. No.
123900-49820	19	31
123900-53050	14	5
123900-66820	16	4
123900-77010	17	1
123900-77020	5	7
	19	11
123900-77030	5	8
	19	12
123900-77210	18	12
123900-77330	18	5
123900-77340	18	1
123900-77400	17	2
123900-77440	17	5
123900-77450	17	6
		9
123900-77460	17	7
123900-77480	17	8
123900-77500	5	9
123900-77510	17	11
123900-77520	17	12
123900-77540	17	14
123900-77610	17	20
123900-77640	17	22
123900-77650	17	23
123900-77710	17	24
123901-01950	14	1
123901-03090	4	1
123901-03240	4	58
123901-03250	4	59
123901-03260	4	60
123901-03270	4	57
123901-03280	4	62
123901-13200	6	2
123901-14590	7	3
123901-18080	6	12
	19	14
123901-18090	8	1
	19	15
123901-22080	9	14
123901-22900	9	33
123901-39820	11	11
123901-59811	14	30
123901-59821	14	31
123901-59830	14	32
123901-59840	14	33
123901-66820	16	1
123901-66821	16	1 -1
123901-66840	16	2
123901-66841	16	2 -1
123910-42480	12	14

Parts No. Index

Parts No.	Fig. No.	Ref. No.
123911-44780	12	16 -1
123912-03270	4	65
123912-03300	4	63
123912-07900	4	55
123912-11330	4	45
123912-12500	5	15
123912-13500	6	9
123912-13650	6	11
123912-18011	8	5
123912-18350	5	6
123912-21570	9	11
123912-33011	10	1
123912-33040	10	2
123912-33100	10	4
123912-34810	10	8
123912-39060	11	2
123912-39600	11	10
123912-44500	12	38
123912-44900	12	49
123912-49031	12	29
123912-51020	13	1
123912-55900	15	3
123915-44740	12	15
123946-01780	2	3 -1
123946-21660	9	8 -1
123950-12520	5	17
123950-39050	11	24
123951-03090	4	66
124060-59380	15	17
124064-55510	15	49
124066-59100	15	28
124070-13300	11	9
124160-01751	2	22
	4	44
124160-11360	4	53
124160-39140	11	3
124223-39900	11	5
124465-44950	12	33
	19	24
124520-59080	15	63
124610-48620	12	19
124610-49291	12	20
	19	18
124722-59050	15	60
124732-59562	15	32
124766-59050	15	13
		25
127410-21480	9	13
128300-59910	15	35
128300-77920	18	11

Parts No.	Fig. No.	Ref. No.
129100-01580	3	1
129100-77910	18	9
129136-66852	16	13
129136-77200	18	13
129150-02450	7	4
129150-03070	4	46
129150-11230	4	32
		36
129150-11750	4	34
		38
129150-49080	12	51
129150-49100	12	50
129150-49360	12	34
	19	35
129150-59580	15	33
129211-77920	18	10
129322-77401	18	14
129335-55700	15	45
129400-13201	6	7
	19	34
129400-92450	19	36
129418-18320	6	5
129466-49300	12	1
129470-55610	15	2
129495-59300	15	29
129595-18141	5	4
129612-12650	5	21
129693-44310	6	4
129792-39410	11	16
129900-14110	7	6
129900-21220	9	3
129900-21640	9	7
129900-25900	7	14
129900-26020	7	15
129900-32030	2	10
	19	25
129900-32040	2	11
	19	26
129900-77591	17	19
129900-77620	17	21
129916-21610	9	9 -1
129950-59211	15	24
129950-59221	15	26
129951-34801	10	6
129953-77803	16	5
129960-21640	9	7 -1
129980-59530	15	30
171008-77750	17	25
171031-11741	2	31
171051-01921	1	4

Parts No.	Fig. No.	Ref. No.
171081-55910	15	57
22117-060000	16	8
		16
22117-080000	8	2
22137-100000	18	2
22190-060002	15	18
	19	32
22190-080002	11	15
	15	43
	19	20
22190-120002	15	22
	19	21
22190-140002	15	41
		42
	19	22
22190-220002	3	10
	19	29
22242-000180	4	39
22252-000370	9	23
22312-080160	2	12
22351-030010	11	23
22351-060012	1	9
22360-060000	16	9
		10
22512-070140	7	7
	9	6
23000-016000	4	67
23000-025000	11	12
	12	30
23000-041000	4	68
		69
23000-054000	5	5
23000-060000	12	55
23000-070000	5	12
23000-115000	5	13
23297-060081	11	6
23414-100000	11	7
	19	23
23418-060000	15	58
23857-060000	15	23
23875-030000	1	10
		13
23876-005000	4	11
23876-030000	4	13
	12	24
24101-062054	2	24
24101-062060	2	9
		25
24311-000110	2	26
	19	4

Parts No.	Fig. No.	Ref. No.
24311-000120	4	54
	19	27
24311-000320	2	23
		32
	4	70
	19	3
24311-240100	10	9
	15	59
	19	33
24314-000180	10	16
	11	13
	19	28
24321-000850	2	28
	19	30
24341-000530	9	39
25163-004701	12	14 -1
26014-080252	18	7
26022-050122	4	52
26106-060102	16	11
26106-060162	11	26
26106-060202	14	34
26106-060502	12	11
26106-080102	15	44
26106-080122	3	11
	10	17
	11	8
	16	3
26106-080142	7	8
	11	14
	12	25
26106-080162	3	12
	5	14
	10	18
	16	12
26106-080202	2	13
		14
	10	5
	14	3
26106-080222	6	13
		14
26106-080402	2	15
26106-080452	2	16
		17
26106-080502	2	18
26106-080552	7	13
	12	12
26106-080602	12	27
26106-080702	2	19
	4	42
	5	3

Parts No. Index

Parts No.	Fig. No.	Ref. No.
26106-080702	12	28
26106-080802	2	20
26106-100122	2	29
26106-100142	14	2
26106-100182	15	5
26106-100202	4	3
26106-100252	4	56
	15	4
26106-100352	3	5
26106-100452	12	17
26106-100602	12	17 -1
26106-100752	5	10
26106-100952	5	11
26116-050102	4	61
26116-101202	18	3
26116-120302	17	26
26213-080222	8	4
26216-060252	4	23
26216-100302	2	8
26306-080002	6	6 -1
26346-060002	16	14
26366-060002	4	24
26366-080002	4	43
	6	6
		8
26366-100002	2	21
	18	4
26577-040162	4	40
26703-080002	8	3
26716-060002	16	14 -1
		15
27225-120160	1	14
27231-700000	1	11
27241-300000	1	12
27241-400000	4	12
27310-090000	4	25
723900-01560	1	1
723900-01590	2	1
723900-01591	2	1 -1
723900-11100	4	4
723900-53200	14	4
723900-92640	19	1
977770-01212	2	30
	3	13
	19	37
X0240140510	10	1 A
X2240610100	17	13

Parts No.	Fig. No.	Ref. No.
-----------	----------	----------

Parts No.	Fig. No.	Ref. No.
-----------	----------	----------

Parts No.	Fig. No.	Ref. No.
-----------	----------	----------