

OCD10-M69800EN

PREFACE

1.This parts catalog is the First edition of 4TNE88 – EFL Diesel Engine for FURUKAWA KIKAI.

Pub. No.: 000Y00D6980

Published: Aug .,1999

2. Model name

Engine model	Vehicle		Vehicle Manufacturer
	Products	Model name	
4TNE88 – EFL	WHEEL LOADER	FL304R	FURUKAWA KIKAI CO.,LTD.

Directions for the Parts Catalog.

1. The parts stipulated in this Parts Catalog are not necessarily standard equipped parts.
2. Parts may change without prior notice.
3. The following is an example of the Parts Catalog format.

REF.	LEV.	PARTS NO.	DESCRIPTION	Q'TY						I	R
				(A)	(B)	(C)	(D)	(E)	(F)		
1	1	729595-51390	FUEL INJECTION PUMP	1	1	1	1	1			1
1-1	1	729595-51391	FUEL INJECTION PUMP	1	1	1	1	1		N	1
		(A=E00185) (B=E00200)									
3	2	26022-060162	SCREW M 6X 16	9	9	9	9	9			
3-1	2	26022-060162	SCREW M 6X 16	4	4	4	4	4		K	
		(A=E00156) (B=E00156) (C=E00156) (D=E00156) (E=E00156)									
4	2	129470-51040	CAMSHAFT	1	1	1	1	1			
5	2	122710-51050	BEARING, ROLLER	2	2	2	2	2			
6	2	129470-51060	RETAINER	1	1	1	1	1			

Remarks
(1) BOOST COMPEMSATOR TYPE. OPTIONAL PART, TO E00155,(4JH-DT, 4JH-DTZ

① Ref. No.

The Ref. No. listed may not be in accordance with the illustration Ref. No.

(Ex.) Illustration No.

List Ref No.

1

1

(Before change)

1-1

(After change)

For interchangeable symbols N, R and K, illustrations for new parts may be abbreviated.

② Lev. (Level)

Level indication

The numbers below indicate the level of relativity towards the main part.

1 ----- Main parts (Assembly parts)

2 ----- Sub component included in " 1 ".

3 ----- Sub component included in " 2 ".

Note) Parts that are not for sale are partially illustrated but not listed.

③ Interchangeability Mark

When a part change takes place, one of the following interchangeability symbols is indicated beside the part.

Symbol	Interchangeability	Contents note
N	Old $\begin{matrix} \leftarrow \text{Yes} \\ \text{No} \rightarrow \end{matrix}$ New	New Part is interchangeable for Old Part but Old Part is not interchangeable for New Part.
Q	Old $\begin{matrix} \leftarrow \text{No} \\ \text{Yes} \rightarrow \end{matrix}$ New	New Part is not interchangeable for Old Part but Old Part is interchangeable for New Part.
R	Old $\begin{matrix} \leftarrow \text{Yes} \\ \text{Yes} \rightarrow \end{matrix}$ New	New/ Old Parts are both interchangeable.
S	Old $\begin{matrix} \leftarrow \text{No} \\ \text{No} \rightarrow \end{matrix}$ New	New/ Old Parts are both not interchangeable.
W		Part newly added.
Z		Part discontinued.
F		Not interchangeable by a single part but interchangeable together with related parts.
K		Changes only for used parts quantities.

④ Effective Machine No.

When a part changes, the effective Machine No. will be indicated in the (A)-(F) column.

Product Symbol	Product No.	Product Symbol	Product No.
C	Clutch No. Compressor No.	F	Machine No. (Agricultural Equip.)
D	Drive No.	M	Machine No.
E	Engine No.		

Note 1) A date may follow the symbol. (Ex.) 1996.01

Note 2) "XXXXX" and "ZZZZZ" are for parts that could not be predicted or for engine models that could not be identified.

Note 3) (A=E00185) is the E (Engine Serial Number) for the column (A) model (in this case 4JH-DT) after the parts design change.

⑤ Remarks Mark

Figures or alphabets (symbols) are entered in the remarks column.

The comments (remarks) on parts that are indicated at the bottom of the illustration are the same symbols as those stated above.

Contents

Fig. No. Fig. Name

4TNE88-EFL

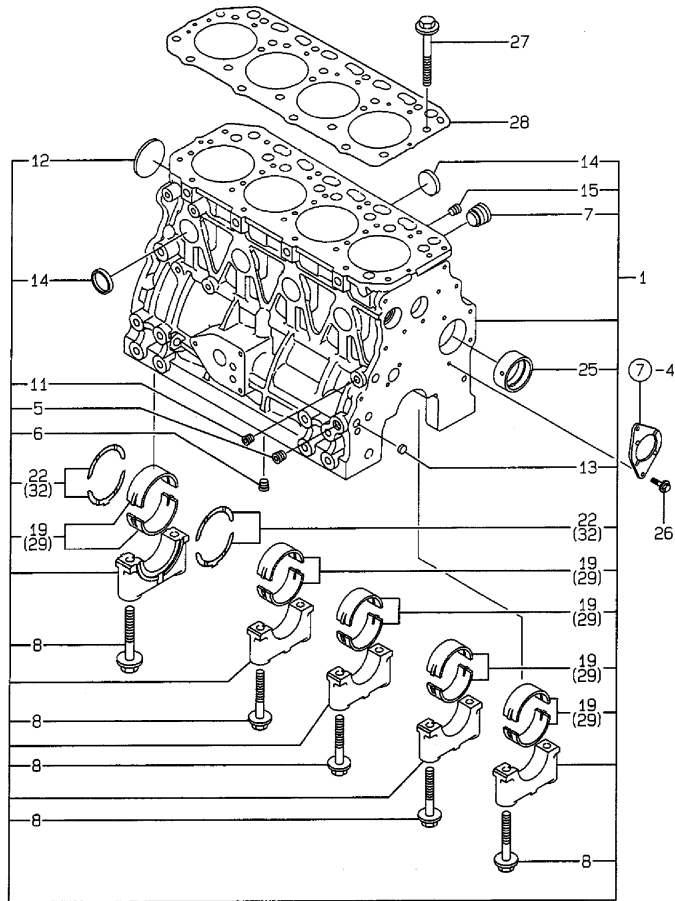
1. CYLINDER BLOCK
2. GEAR HOUSING
3. FLYWHEEL HOUSING & OIL SUMP
4. CYLINDER HEAD & BONNET
5. SUCTION MANIFOLD & AIR CLEANER
6. EXHAUST MANIFOLD & SILENCER
7. CAMSHAFT & DRIVING GEAR
8. CRANKSHAFT & PISTON
9. LUB.OIL SYSTEM
10. COOLING WATER SYSTEM
11. FUEL INJECTION PUMP
12. GOVERNOR
13. FUEL INJECTION VALVE
14. FUEL LINE
15. STARTING MOTOR
16. GENERATOR
17. GASKET SET

Fig. No. Fig. Name

Fig.1. CYLINDER BLOCK

Y00D6980
4TNE88-EFL

1 シリンダブロック
1 CYLINDER BLOCK



(A)=4TNE88-EFL

(B)=

(C)=

(D)=

(E)=

(F)=

No.	Lev.	Parts No.	Description	Q'ty						I	R
				(A)	(B)	(C)	(D)	(E)	(F)		
1	1	729407-01561	BLOCK ASSY, CYLINDER	1							
5	2	124160-01910	PLUG, PT1/4	2							
6	2	124160-01910	PLUG, PT1/4	1							
7	2	171051-01921	PLUG, NPTF1	1							
8	2	129150-02020	BOLT, METAL CAP	10							
11	2	23876-010000	PLUG, R01	1							
12	2	27231-500000	PLUG 50	1							
13	2	27241-120000	PLUG, 12	2							
14	2	27241-300000	PLUG 30	8							
15	2	23876-030000	PLUG, R03	1							
19	2	129001-02930	BEARING, MAIN	5							3
22	2	129150-02930	BEARING, THRUST	2							
25	2	129795-02411	BUSH, CAMSHAFT	1							
26	1	26106-080162	BOLT, M8X 16 PLATED	2							
27	1	129150-01200	BOLT, HEAD	18							
28	1	129407-01340	GASKET, HEAD	1							
29	1	129150-02870	BEARING, 0.25 US	5							1
32	1	129150-02940	BEARING, THRUST 0.25	2							2

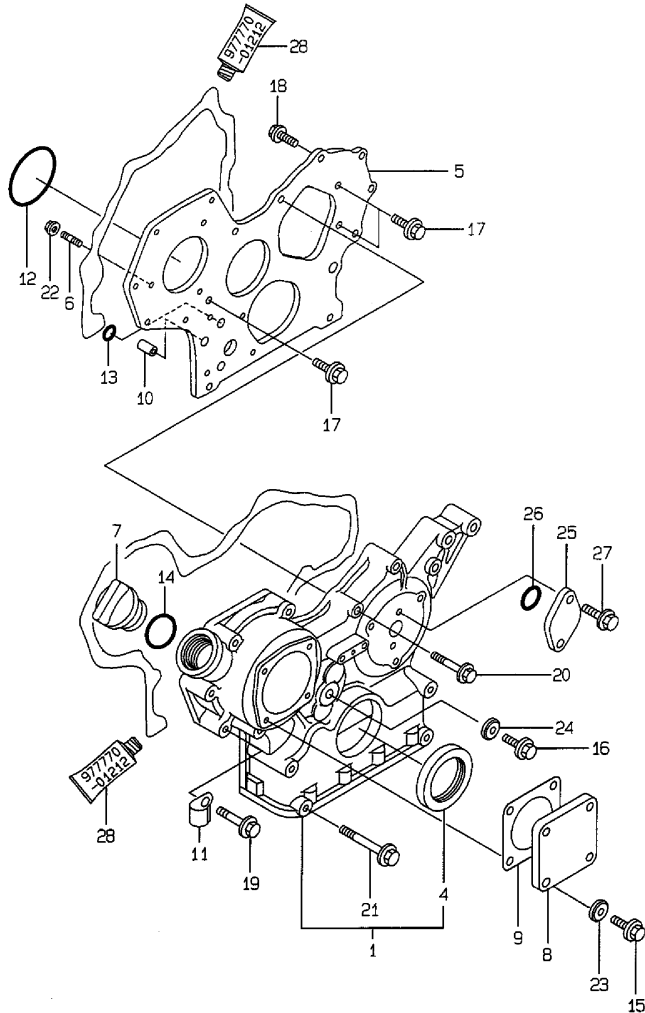
Remarks

- (1) UNDER-SIZED(U.S=0.25)PART.
- (2) OVER-SIZED(O.S=0.25)PART.
- (3) REPAIR PART.

Fig.2. GEAR HOUSING

Y00D6980
4TNE88-EFL

ギヤケース
GEAR HOUSING



(A)=4TNE88-EFL

(B)=

(C)=

(D)=

(E)=

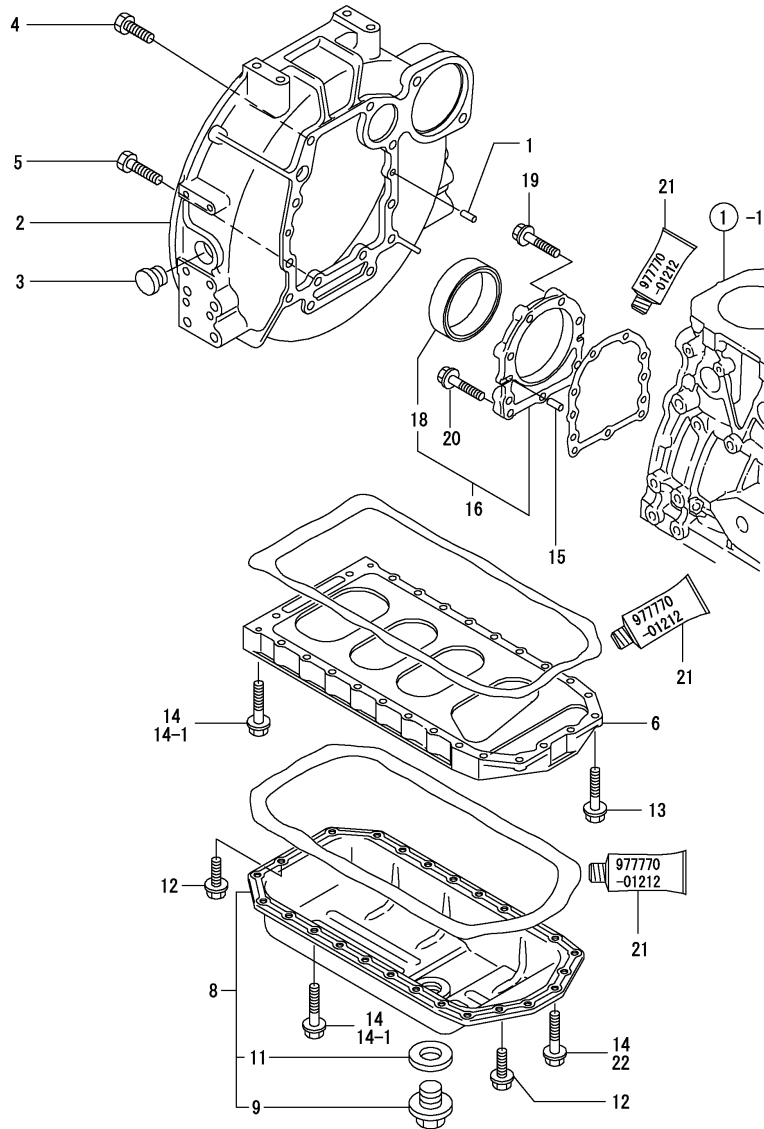
(F)=

No.	Lev.	Parts No.	Description	Q'ty						I	R
				(A)	(B)	(C)	(D)	(E)	(F)		
1	1	719810-01500	CASE ASSY, GEAR	1							
4	2	129795-01800	SEAL, OIL	1							
5	1	129400-01520	FLANGE, GEAR CASE	1							
6	1	121450-01560	STUD, M8X22	3							
7	1	124160-01751	COVER, FILLER	1							
8	1	124240-01871	COVER	1							
9	1	124240-01883	GASKET	1							
10	1	129795-01950	PIPE, KNOCK L=18	2							
11	1	129150-03100	RETAINER, PIPE	1							
12	1	121850-51960	O-RING	1							
13	1	24311-000160	O-RING, 1AP16.0	2							
14	1	24311-000320	O-RING, 1AP32.0	1							
15	1	26106-080122	BOLT, M8X 12 PLATED	4							
16	1	26106-080162	BOLT, M8X 16 PLATED	1							
17	1	26106-080162	BOLT, M8X 16 PLATED	3							
18	1	26106-080202	BOLT, M8X 20 PLATED	2							
19	1	26106-080452	BOLT, M8X 45 PLATED	6							
20	1	26106-080552	BOLT, M8X 55 PLATED	3							
21	1	129001-91840	BOLT, M8X85	4							
22	1	26366-080002	NUT, M8	3							
23	1	22190-080002	WASHER, SEAL 6	4							
24	1	22190-080002	WASHER, SEAL 6	1							
25	1	121023-01550	COVER	1							
26	1	24341-000240	O-RING, 1AS24.0	1							
27	1	26106-060162	BOLT, M6X 16 PLATED	2							
28	1	97770-01212	GASKET, LIQUID	1							1

Remarks

(1) OPTIONAL PART.

Fig.3. FLYWHEEL HOUSING & OIL SUMP



No.	Lev.	Parts No.	Description	Q'ty						I	R
				(A)	(B)	(C)	(D)	(E)	(F)		
1	1	129100-01580	PIN, M8X16	2							
2	1	171440-01600	HOUSING, FLYWHEEL	1							
3	1	119620-01750	CAP	1							
4	1	26206-100252	BOLT, M10X 25 PLATED	6							
5	1	26206-100302	BOLT, M10X 30 PLATED	4							
6	1	129400-01730	SPACER, OIL SUMP	1							
8	1	729402-01540	SUMP ASSY, OIL	1							
9	2	119640-01640	PLUG, DRAIN M22	1							
11	2	22190-220002	WASHER, SEAL 22	1							
12	1	26106-080162	BOLT, M8X 16 PLATED	4							
13	1	26106-080252	BOLT, M8X 25 PLATED	2							
14	1	26106-080452	BOLT, M8X 45 PLATED	24							
14-1	1	26106-080452	BOLT, M8X 45 PLATED	20							K
(A=FROM 1ST)											
15	1	129100-01580	PIN, M8X16	2							
16	1	129100-01640	CASE ASSY, OIL SEAL	1							
18	2	129795-01780	SEAL, OIL	1							
19	1	129486-01670	BOLT, M8X30	6							
20	1	26106-080352	BOLT, M8X 35 PLATED	3							
21	1	977770-01212	GASKET, LIQUID	1							1
22	1	26106-080502	BOLT, M8X 50 PLATED	4							W
(A=FROM 1ST)											

Remarks
(1) OPTIONAL PART.

Fig.4. CYLINDER HEAD & BONNET

(A)=4TNE88-EFL

(B)=

(C)=

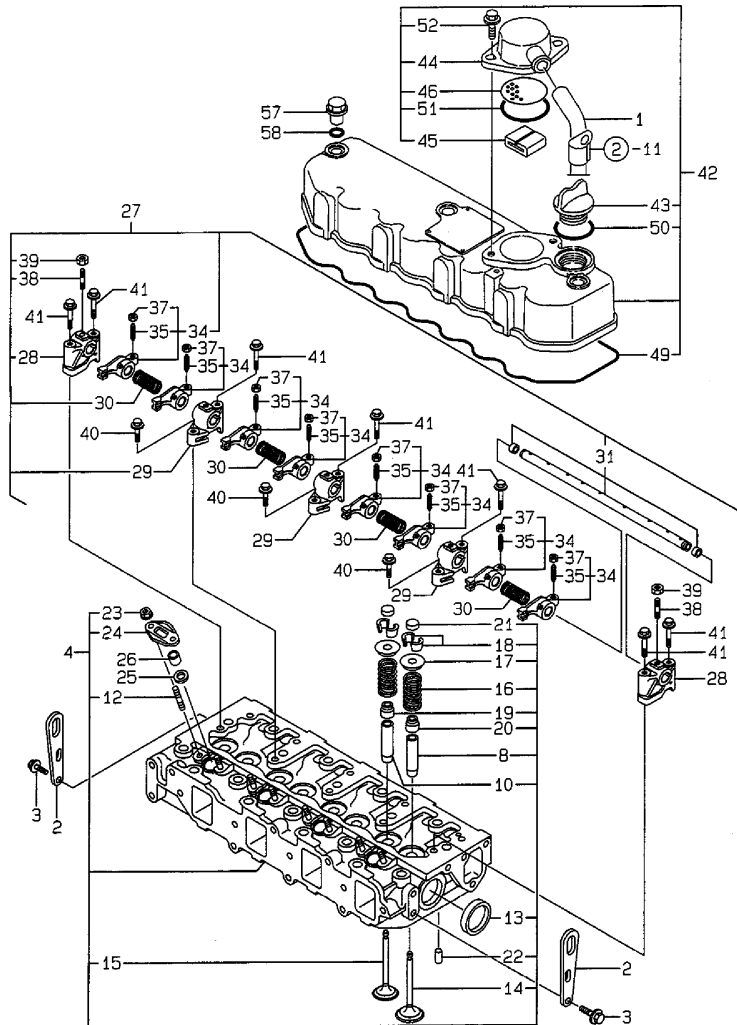
(D)=

(E)=

(F)=

Y00D6990
4TNE88-EFL

4 シリンダヘッド & ボンネット
CYLINDER HEAD & BONNET



No.	Lev.	Parts No.	Description	Q'ty						I	R
				(A)	(B)	(C)	(D)	(E)	(F)		
1	1	171350-03090	PIPE , BREATHER 900	1							
2	1	124736-07900	LIFTER	2							
3	1	26106-080142	BOLT, M8X 14 PLATED	4							
4	1	129407-11700	HEAD ASSY, CYLINDER	1							
8	2	120130-11860	GUIDE, VALVE	4							1
10	2	129150-11810	GUIDE, VALVE	4							1
12	2	26216-060202	STUD, M6X 20	8							
13	2	27241-400000	PLUG, 40	2							
14	2	129100-11100	VALVE, INTAKE	4							
15	2	129100-11110	VALVE, EXHAUST	4							
16	2	129795-11120	SPRING, VALVE	8							
17	2	129795-11180	RETAINER, SPRING	8							
18	2	27310-080001	COTTER, 8	8							
19	2	121400-11340	SEAL, VALVE STEM	4							
20	2	124460-11340	SEAL, VALVE STEM	4							
21	2	129150-11370	CAP, VALVE	8							
22	2	22351-060012	PIN, SPRING 6.0X12	2							
23	2	26366-060002	NUT, M6	8							
24	2	119625-11900	RETAINER, NOZZLE	4							
25	1	119625-11880	SEAT, NOZZLE	4							
26	1	119625-11870	PROTECTOR, NOZZLE	4							
27	1	129555-11241	SHAFT ASSY, ROCKER	1							
28	2	129155-11260	SUPPORT, ROCKER ARM	2							
29	2	129155-11270	SUPPORT, ROCKER ARM	3							
30	2	129150-11280	SPRING	4							
31	2	129550-11290	SHAFT, ROCKER ARM	1							
34	2	729402-11650	ARM ASSY, ROCKER	8							
35	3	129150-11230	SCREW, VALVE ADJUST	8							
37	3	129150-11750	NUT, M8	8							
38	2	26226-080182	STUD, M8X 18	3							
39	2	26756-080002	NUT, LOCK M8	3							
40	1	26106-080252	BOLT, M8X 25 PLATED	3							
41	1	26106-080502	BOLT, M8X 50 PLATED	7							
42	1	129400-11350	BONNET ASSY, HEAD	1							
43	2	124160-01751	COVER, FILLER	1							
44	2	129150-03020	COVER, BREATHER	1							
45	2	129150-03070	BAFFLE, BREATHER	1							
46	2	129150-03080	PLATE, BAFFLE	1							
49	2	129550-11310	GASKET, BONNET	1							
50	2	24311-000320	O-RING, 1AP32.0	1							
51	2	24341-000500	O-RING, 1AS50.0	1							
52	2	26106-080162	BOLT, M8X 16 PLATED	2							
57	1	124160-11360	KNOB	3							
58	1	24311-000120	O-RING, 1AP12.0	3							

Remarks

(1) REPAIR PART.

Fig.5. SUCTION MANIFOLD & AIR CLEANER

(A)=4TNE88-EFL

(B)=

(C)=

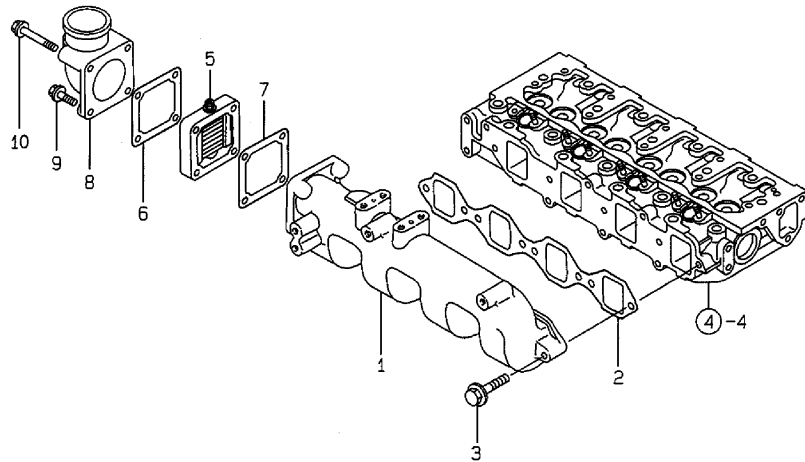
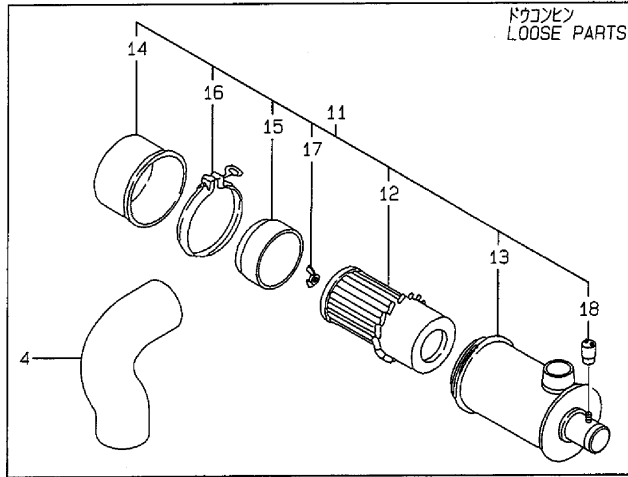
(D)=

(E)=

(F)=

Y00D6990
4TNE88-EFL

5 キュウキマニホールド & イアクリーナ
SUCTION MANIFOLD & AIR CLEANER



No.	Lev.	Parts No.	Description	Q'ty						I	R
				(A)	(B)	(C)	(D)	(E)	(F)		
1	1	129488-12100	MANIFOLD, AIR INTAKE	1							
2	1	129550-12111	GASKET, MANIFOLD	1							
3	1	26106-080352	BOLT, M8X 35 PLATED	5							
4	1	121505-12210	HOSE, AIR CLEANER	1							
5	1	129100-77500	HEATER, AIR 12V	1							
6	1	129100-77510	GASKET, AIR HEATER	1							
7	1	129150-77511	GASKET	1							
8	1	171340-77520	BEND	1							
9	1	26106-080402	BOLT, M8X 40 PLATED	2							
10	1	26106-080802	BOLT, M8X 80 PLATED	2							
11	1	129135-12500	CLEANER ASSY, AIR	1							
12	2	121420-12511	ELEMENT	1							
13	2	129135-12520	BODY ASSY	1							
14	2	121420-12530	CAP, AIR CLEANER	1							
15	2	121420-12540	SCARF, BAFFLE	1							
16	2	121420-12550	CLAMP ASSY	1							
17	2	121420-12561	NUT, WING	1							
18	2	171061-12800	INDICATOR	1							

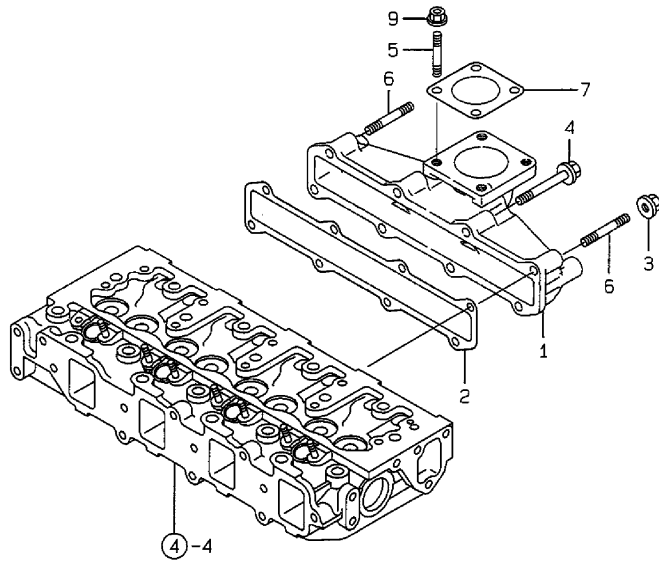
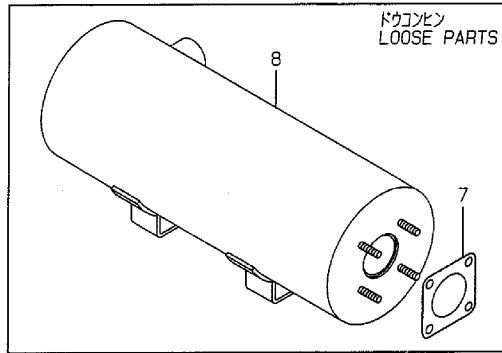
Fig.6. EXHAUST MANIFOLD & SILENCER

(A)=4TNE88-EFL
(B)=
(C)=

(D)=
(E)=
(F)=

Y00D6980
4TNE88-EFL

6 ハイキマニホールド & サイレンサ
EXHAUST MANIFOLD & SILENCER

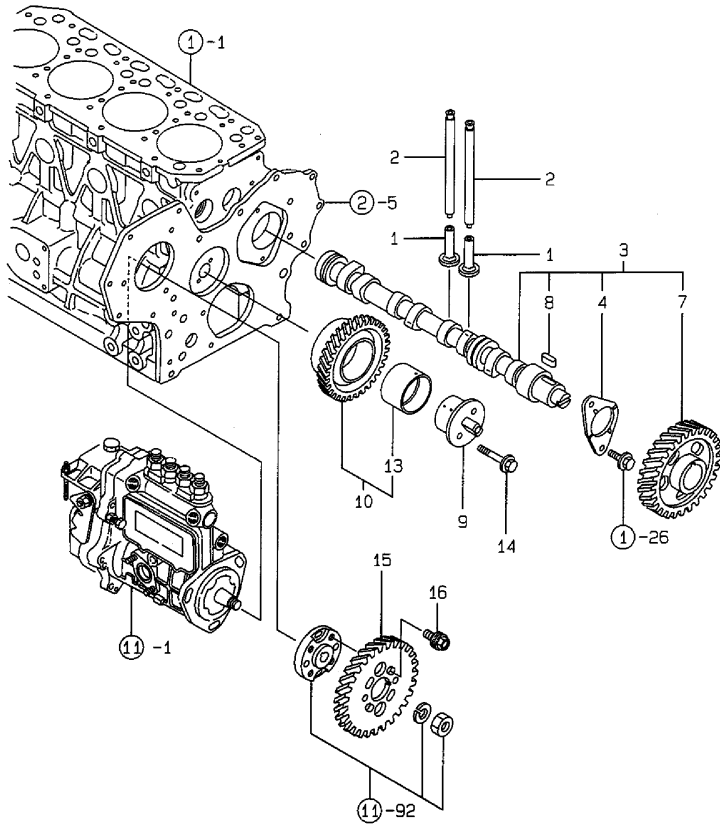


No.	Lev.	Parts No.	Description	Q'ty						I	R
				(A)	(B)	(C)	(D)	(E)	(F)		
1	1	129407-13100	MANIFOLD, EXHAUST	1							
2	1	129407-13110	GASKET	1							
3	1	26366-080002	NUT, M8	2							
4	1	26106-080402	BOLT, M8X 40 PLATED	6							
5	1	119131-18320	STUD, M8X22	4							
6	1	26216-080402	STUD, M8X 40	2							
7	1	129400-13201	GASKET, SILENCER	2							
8	1	129612-13650	SILENCER	1							
9	1	194990-22050	NUT, M8	8							

Fig.7. CAMSHAFT & DRIVING GEAR

Y00D6980
4TNE88-EFL

カムシャフト & クドウギヤ
CAMSHAFT & DRIVING GEAR



(A)=4TNE88-EFL
(B)=
(C)=

(D)=
(E)=
(F)=

No.	Lev.	Parts No.	Description	Q'ty						I	R
				(A)	(B)	(C)	(D)	(E)	(F)		
1	1	129150-14200	TAPPET	8							
2	1	129150-14400	ROD, PUSH L=178	8							
3	1	729402-14580	CAMSHAFT ASSY	1							
4	2	129150-02450	BEARING, THRUST	1							
7	2	129150-14101	GEAR, CAMSHAFT	1							
8	2	22512-070140	KEY, 7X 14	1							
9	1	129100-25061	SHAFT, IDLE	1							
10	1	129150-25101	GEAR ASSY, IDLE	1							
13	2	129150-25920	BUSH, IDLE GEAR	1							1
14	1	26106-080452	BOLT, M8X 45 PLATED	2							
15	1	129150-25931	GEAR, PUMP	1							
16	1	129150-25301	BOLT	4							

Remarks
(1) REPAIR PART.

Fig.8. CRANKSHAFT & PISTON

(A)=4TNE88-EFL

(B)=

(C)=

(D)=

(E)=

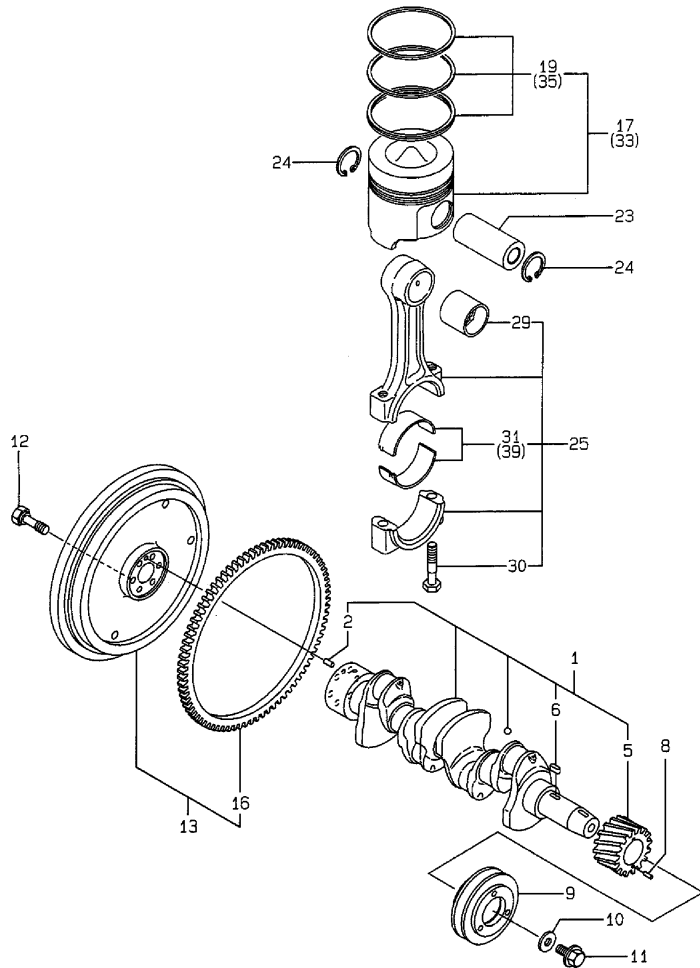
(F)=

Q'ty

I R

Y00D6980
4TNE88-EFL

クランクシャフト & ピストン
CRANKSHAFT & PISTON



No.	Lev.	Parts No.	Description	Q'ty						I	R
				(A)	(B)	(C)	(D)	(E)	(F)		
1	1	129407-21000	CRANKSHAFT ASSY	1							
2	2	129100-01580	PIN, M8X16	1							
5	2	129150-21200	GEAR, CRANKSHAFT	1							
6	2	22512-070140	KEY, 7X 14	1							
8	1	22351-040010	PIN, SPRING 4.0X10	1							
9	1	171301-21650	V-PULLEY	1							
10	1	129795-21661	WASHER	1							
11	1	121850-21680	BOLT	1							
12	1	121111-21501	BOLT, FLYWHEEL	6							
13	1	129403-21590	FLYWHEEL ASSY	1							
16	2	124550-21600	GEAR, RING	1							
17	1	129001-22081	PISTON ASSY	4							
19	2	129001-22500	RING SET, PISTON	4							
23	1	129202-22300	PIN, PISTON D26 L70	4							
24	1	22252-000260	RING, 26	8							
25	1	729402-23100	ROD ASSY, CONNECTING	4							
29	2	129100-23910	BEARING, PISTON PIN	4							1
30	2	121550-23200	BOLT, CONNECTING ROD	8							
31	2	129150-23600	BEARING, CRANK PIN	4							
33	1	129001-22901	PISTON ASSY, 0.25 OS	4							2
35	2	129001-22950	RING SET, 0.25 OS	4							2
39	1	129150-23610	BEARING, 0.25 US	4							3

Remarks

(1) REPAIR PART.

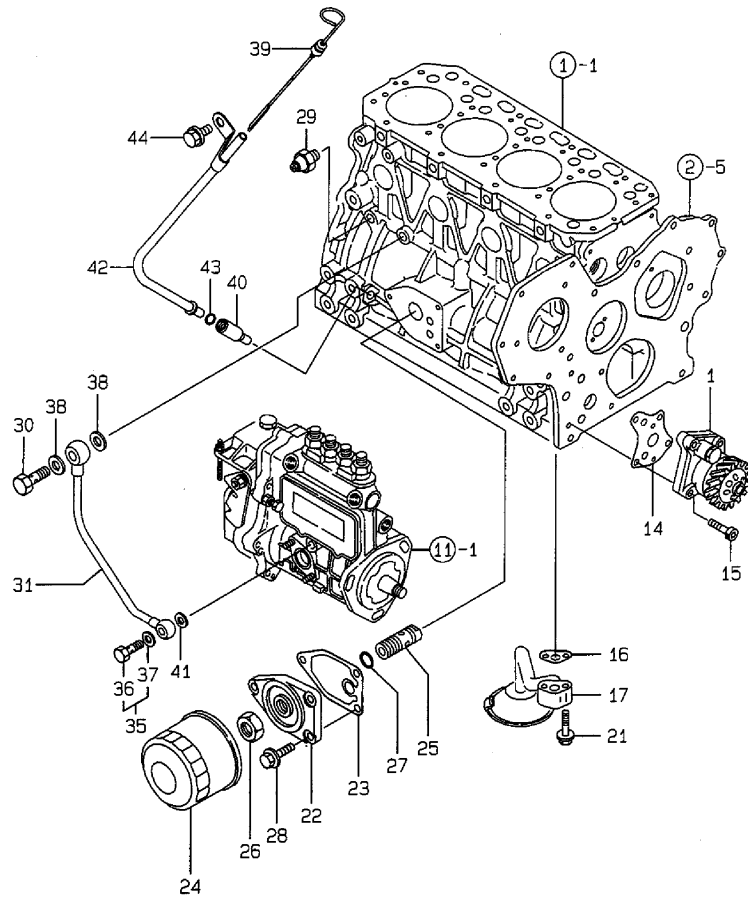
(2) OVER-SIZE (O.S=0.25) PART.

(3) UNDER-SIZE(U.S=0.25) PART.

Fig.9. LUB.OIL SYSTEM

Y00D6980
4TNE88-EFL

9 LOシステム
LUB.OIL SYSTEM



(A)=4TNE88-EFL

(B)=

(C)=

(D)=

(E)=

(F)=

No.	Lev.	Parts No.	Description	Q'ty						I	R
				(A)	(B)	(C)	(D)	(E)	(F)		
1	1	129407-32000	PUMP ASSY, OIL	1							
14	1	129150-32020	GASKET, PUMP	1							
15	1	26450-060252	BOLT, M6X 25	4							
16	1	129150-35041	GASKET	1							
17	1	129150-35091	PIPE ASSY, OIL INLET	1							
21	1	26106-080352	BOLT, M8X 35 PLATED	2							
22	1	129150-35101	BRACKET, STRAINER	1							
23	1	129150-35111	GASKET	1							
24	1	129150-35151	FILTER, D80XL80	1							
25	1	129001-35300	BOLT, FILTER	1							
26	1	129150-35350	NUT	1							
27	1	24311-000160	O-RING, 1AP16.0	1							
28	1	26106-080202	BOLT, M8X 20 PLATED	3							
29	1	121252-39450	SWITCH, 0.5KG	1							
30	1	124160-39140	BOLT, PIPE JOINT M10	1							
31	1	129550-39450	PIPE ASSY, OIL	1							
35	1	124550-59830	BOLT ASSY, JOINT M8	1							
36	2	124550-59820	BOLT, PIPE JOINT M8	1							
37	2	22190-080003	WASHER, SEAL 8	1							
38	1	23414-100000	GASKET, 10X1.0	2							
39	1	129612-34850	DIPSTICK, OIL	1							
40	1	119260-34810	GUIDE, DIPSTICK	1							
41	1	22190-080003	WASHER, SEAL 8	1							
42	1	129612-34840	GUIDE, DIPSTICK	1							
43	1	24311-240100	O-RING, 1AP10A	1							
44	1	26106-080162	BOLT, M8X 16 PLATED	1							

Fig.10. COOLING WATER SYSTEM

(A)=4TNE88-EFL

(B)=

(C)=

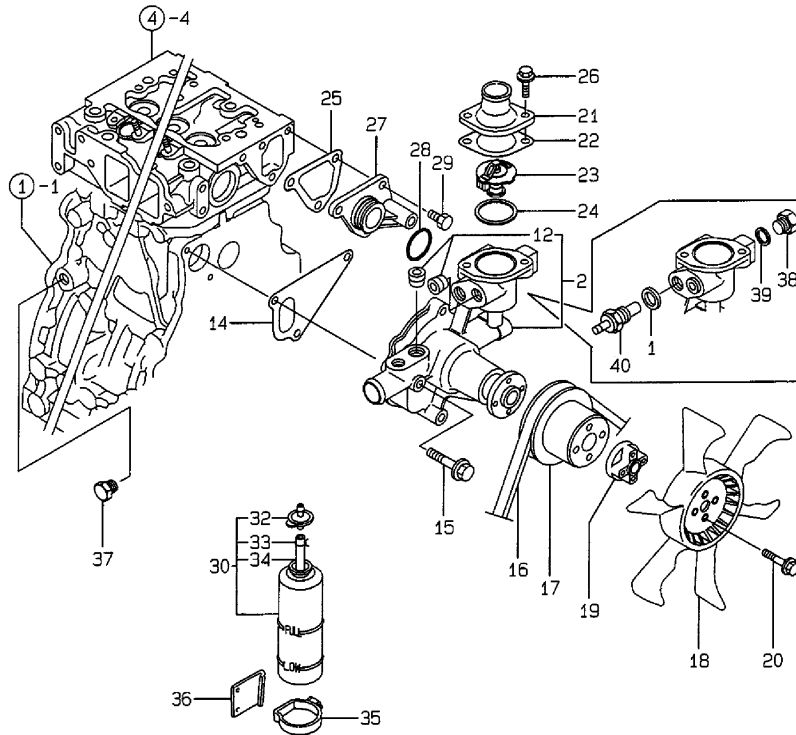
(D)=

(E)=

(F)=

Y00D6990
4TNE88-EFL

10 CWシステム
COOLING WATER SYSTEM



No.	Lev.	Parts No.	Description	Q'ty						I	R
				(A)	(B)	(C)	(D)	(E)	(F)		
1	1	129150-49360	GASKET	1							
2	1	129001-42003	PUMP ASSY, WATER	1							
12	2	23876-030000	PLUG, R03	2							
14	1	129100-42020	GASKET, WATER PUMP	1							
15	1	26106-080602	BOLT, M8X 60 PLATED	3							
16	1	25132-003800	V-BELT, A38	1							
17	1	129556-42350	V-PULLEY, 96	1							
18	1	129432-44740	FAN, COOLING D370XEF	1							
19	1	171353-44760	SPACER, FAN	1							
20	1	26106-060352	BOLT, M6X 35 PLATED	4							
21	1	129350-49530	COVER, THERMOSTAT	1							
22	1	129795-49551	GASKET	1							
23	1	129155-49800	THERMOSTAT, 71	1							
24	1	129150-49811	GASKET, THERMOSTAT	1							
25	1	129100-49840	GASKET	1							
26	1	26106-080222	BOLT, M8X 22 PLATED	2							
27	1	129001-42040	JOINT	1							
28	1	129486-42140	O-RING, G30	1							
29	1	26106-080162	BOLT, M8X 16 PLATED	3							
30	1	124450-44510	TANK ASSY, SUB	1							
32	2	124450-44530	CAP	1							
33	2	124450-44560	RETAINER	1							
34	2	23061-070230	PIPE, 7X 230	1							
35	1	124450-44550	BAND	1							
36	1	121256-44600	BRACKET, SUB TANK	1							
37	1	171056-49120	PLUG, DRAIN	1							
38	1	121450-42450	PLUG, M16	1							
39	1	124465-44950	GASKET, 16	1							
40	1	171056-49351	SENSOR	1							

Fig.11. FUEL INJECTION PUMP

(A)=4TNE88-EFL

(B)=

(C)=

(D)=

(E)=

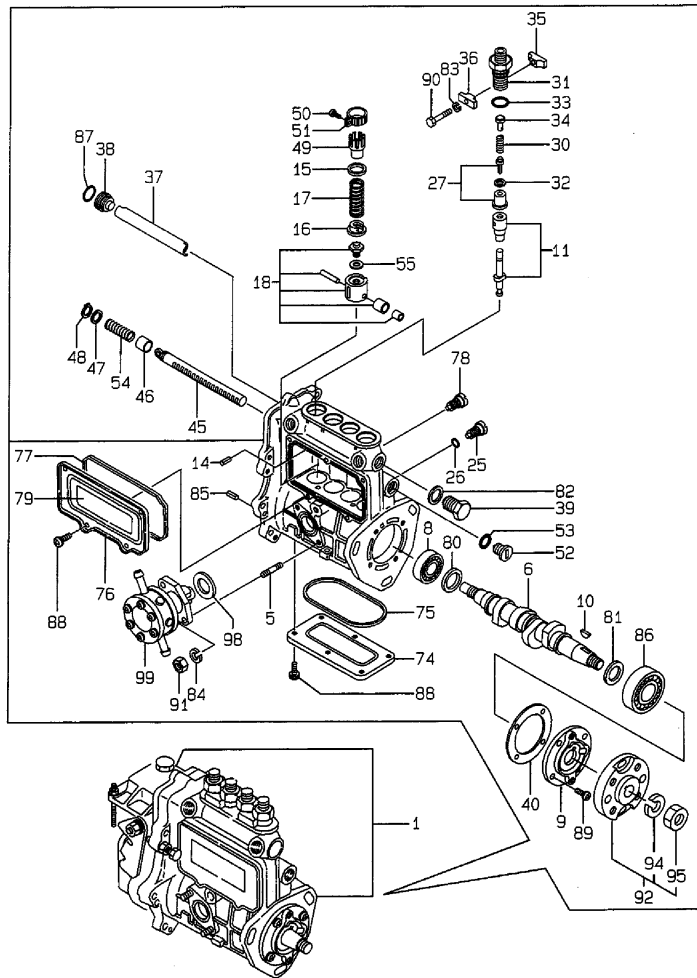
(F)=

Q'ty

I R

Y00D6980
4TNE88-EFL

1 1 FOインシャポン
FUEL INJECTION PUMP



No.	Lev.	Parts No.	Description	(A)	(B)	(C)	(D)	(E)	(F)	I	R
1	1	729407-51450	PUMP ASSY, INJECTION	1							1
5	2	129155-51020	STUD	2							
6	2	129470-51040	CAMSHAFT	1							
8	2	129155-51050	BEARING, 17BM001D	1							
9	2	129208-51060	SUPPORT	1							
10	2	122710-51090	KEY	1							
11	2	129470-51101	PLUNGER ASSY	4							
14	2	129155-51140	PIN	4							
15	2	174307-51170	RETAINER, SPRING A	4							
16	2	129155-51180	RETAINER, SPRING	4							
17	2	124950-51190	SPRING, PLUNGER	4							
18	2	129155-51200	TAPPET ASSY	4							
25	2	129155-51270	STOPPER, TAPPET	4							
26	2	129155-51280	O-RING, S6	4							
27	2	129505-51300	VALVE ASSY, DELIVERY	4							
30	2	129155-51320	SPRING, DELIVERY	4							
31	2	129155-51340	RETAINER	4							
32	2	124550-51350	GASKET, DELIVERY	4							
33	2	124550-51370	O-RING	4							
34	2	129155-51370	STOPPER, VALVE	4							
35	2	129155-51380	STOPPER	2							
36	2	129155-51390	STOPPER	2							
37	2	129555-51400	DEFLECTOR	1							
38	2	129155-51410	BOLT	1							
39	2	129155-51420	PLUG, M16	1							
40	2	129155-51450	SHIM SET, ADJUSTING	1							
45	2	129555-51500	RACK, CONTROL	1							
46	2	129155-51521	BUSH, RACK	1							
47	2	129155-51530	SPACER	1							
48	2	129155-51540	CIRCLIP	1							
49	2	129155-51550	PINION, CONTROL	4							
50	2	122117-51560	SCREW	4							
51	2	174307-51560	PINION	4							
52	2	129155-51570	PLUG, M12	1							
53	2	129155-51580	O-RING	1							
54	2	129155-51591	SPRING, RACK	1							
55	2	129155-51600	SHIM SET, ADJUSTING	4							
74	2	129555-51700	COVER	1							
75	2	129555-51710	GASKET	1							
76	2	129555-51750	COVER	1							
77	2	129555-51760	GASKET	1							
78	2	129155-51790	STOPPER, RACK	1							
79	2	129156-51910	LABEL, CAUTION	1							
80	2	129155-51930	SPACER, T=3.25	1							
81	2	129155-51940	SPACER, T=1.5	1							
82	2	22190-160002	WASHER, SEAL 16	1							
83	2	22217-050000	WASHER, SPRING 5	2							
84	2	22217-060000	WASHER, SPRING 6	2							
85	2	22351-050010	PIN, SPRING 5.0X10	2							
86	2	24101-063034	BEARING, BALL 6303	1							
87	2	24341-000160	O-RING, 1AS16.0	1							

Remarks

(1) GOVERNOR ASSY(FIG.NO.12) IS INCORPORATED IN THIS FUEL INJECTION PUMP ASSY(REF.NO.1).

Fig.11. FUEL INJECTION PUMP

(A)=4TNE88-EFL

(B)=

(C)=

(D)=

(E)=

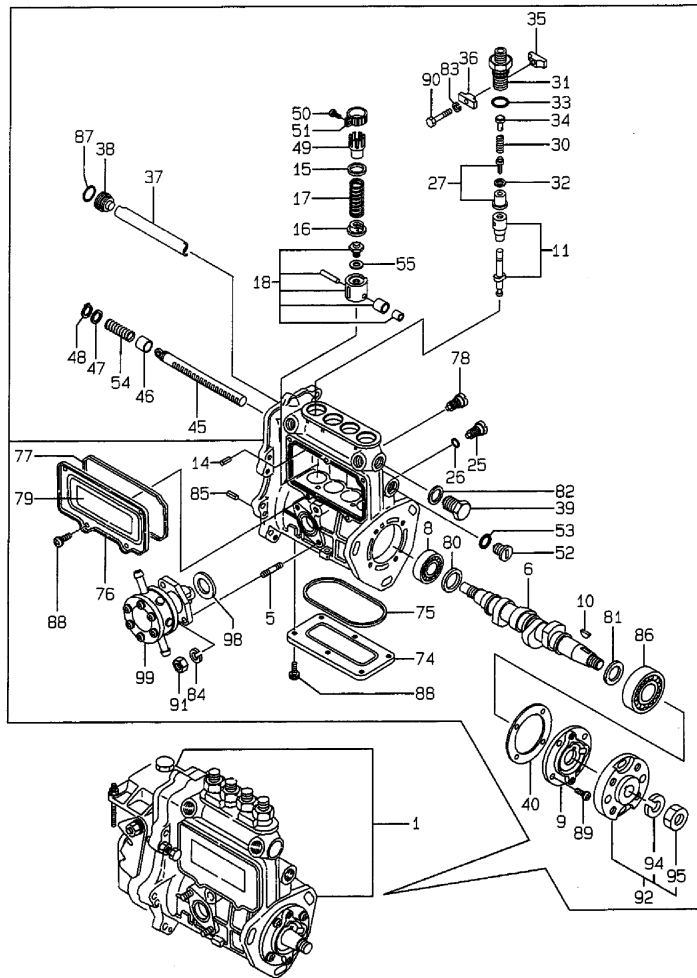
(F)=

Q'ty

I R

Y00D6980
4TNE88-EFL

1 1 FOインシャポン
FUEL INJECTION PUMP



No.	Lev.	Parts No.	Description	Q'ty						I	R
				(A)	(B)	(C)	(D)	(E)	(F)		
88	2	26022-050102	SCREW, M5X10	11							
89	2	26022-060162	SCREW, M6X16	4							
90	2	26116-050302	BOLT, M5X 30 PLATED	2							
91	2	26716-060002	NUT, M6	2							
92	2	129208-54500	FLANGE ASSY	1							
94	3	22217-120000	WASHER, SPRING 12	1							
95	3	26716-120002	NUT, M12	1							
98	2	129155-52050	GASKET	1							
99	2	129100-52100	PUMP ASSY, FUEL FEED	1							

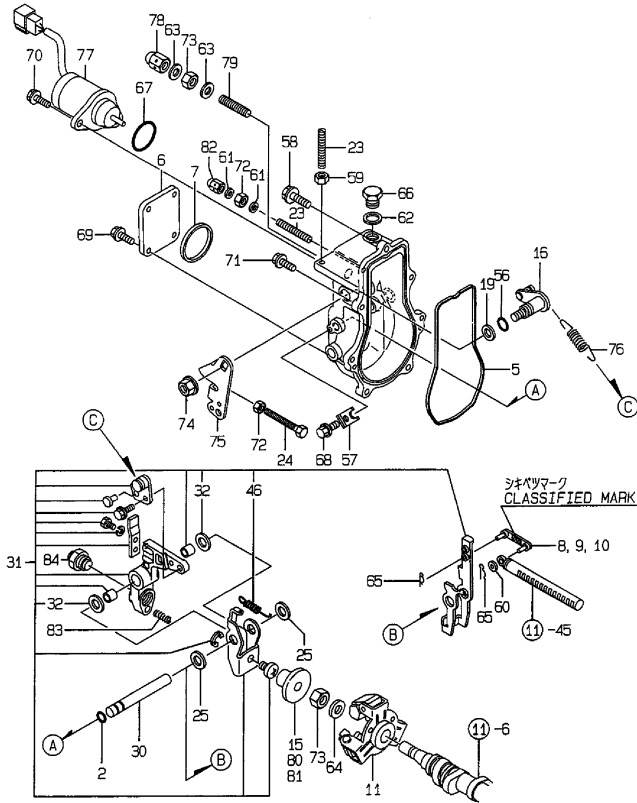
Remarks

(1) GOVERNOR ASSY(FIG.NO.12) IS INCORPORATED IN THIS FUEL INJECTION PUMP ASSY(REF.NO.1).

Fig.12. GOVERNOR

Y00D6980
4TNE88-EFL

12 かけ
GOVERNOR



(A)=4TNE88-EFL

(B)=

(C)=

(D)=

(E)=

(F)=

No.	Lev.	Parts No.	Description	Q'ty						I	R
				(A)	(B)	(C)	(D)	(E)	(F)		
2	2	129155-51280	O-RING, S6	1							
5	2	129052-61050	GASKET	1							
6	2	129052-61060	COVER, GOVERNOR CASE	1							
7	2	129052-61070	GASKET	1							
8	2	129155-61120	LINK, L=30 MARK 0	1							1
9	2	129155-61130	LINK, L=31 MARK 1	1							1
10	2	129155-61140	LINK, L=30.5 MARK 05	1							1
11	2	129155-61201	WEIGHT ASSY,GOVERNOR	1							
15	2	129155-61341	SLEEVE	1							2
16	2	129100-61400	SHAFT ASSY	1							
19	2	129155-61430	SPACER	1							
23	2	129155-61450	BOLT, LIMITER	2							
24	2	129155-61460	BOLT, IDLE	1							
25	2	129155-61480	SPACER ASSY	2							
30	2	129052-61390	SHAFT	1							
31	2	129052-61500	LEVER ASSY, GOVERNOR	1							
32	3	174307-51700	SHIM SET	2							
46	3	129052-61540	SPRING, SET	1							
56	2	129155-61830	O-RING, S10	1							
57	2	119660-61901	RETAINER, SHAFT	1							
58	2	129155-61950	BOLT	1							
59	2	124550-66370	NUT, M6	1							
60	2	22117-040000	WASHER, 4	1							
61	2	22190-060003	SEAL WASER 6	2							
62	2	22190-100002	WASHER, SEAL 10	1							
63	2	22190-120002	WASHER, SEAL 12	2							
64	2	22287-120000	WASHER, 12	1							
65	2	22372-040000	PIN, SNAP 4	2							
66	2	23887-100002	PLUG, 10	1							
67	2	24341-000280	O-RING, 1AS28.0	1							
67-1	2	158552-61900	O-RING	1							N
		(A=EXXXXX)									
68	2	26106-060102	BOLT, M6X 10 PLATED	1							
69	2	26106-060102	BOLT, M6X 10 PLATED	4							
70	2	26106-060142	BOLT, M6X 14 PLATED	2							
71	2	26106-060202	BOLT, M6X 20 PLATED	6							
72	2	26756-060002	NUT, LOCK M6	2							
73	2	26776-120002	NUT, LOCK M12	2							
74	2	26366-080002	NUT, M8	1							
75	2	129100-61440	LEVER, CONTROL	1							
76	2	171353-61710	SPRING, GOVERNOR	1							
77	2	119233-77931	SOLENOID, STOP	1							
78	2	26687-120002	NUT, CAP M12	1							
79	2	129155-61470	BOLT, CONTROL	1							
80	2	129155-61350	SLEEVE, L=24.9	1							2
81	2	129155-61360	SLEEVE, L=25.2	1							2
82	2	119600-66840	NUT, CAP	1							
83	2	129100-61650	SPRING, CONTROLLER	1							
84	2	171353-61550	ANGLEICH ASSY	1							

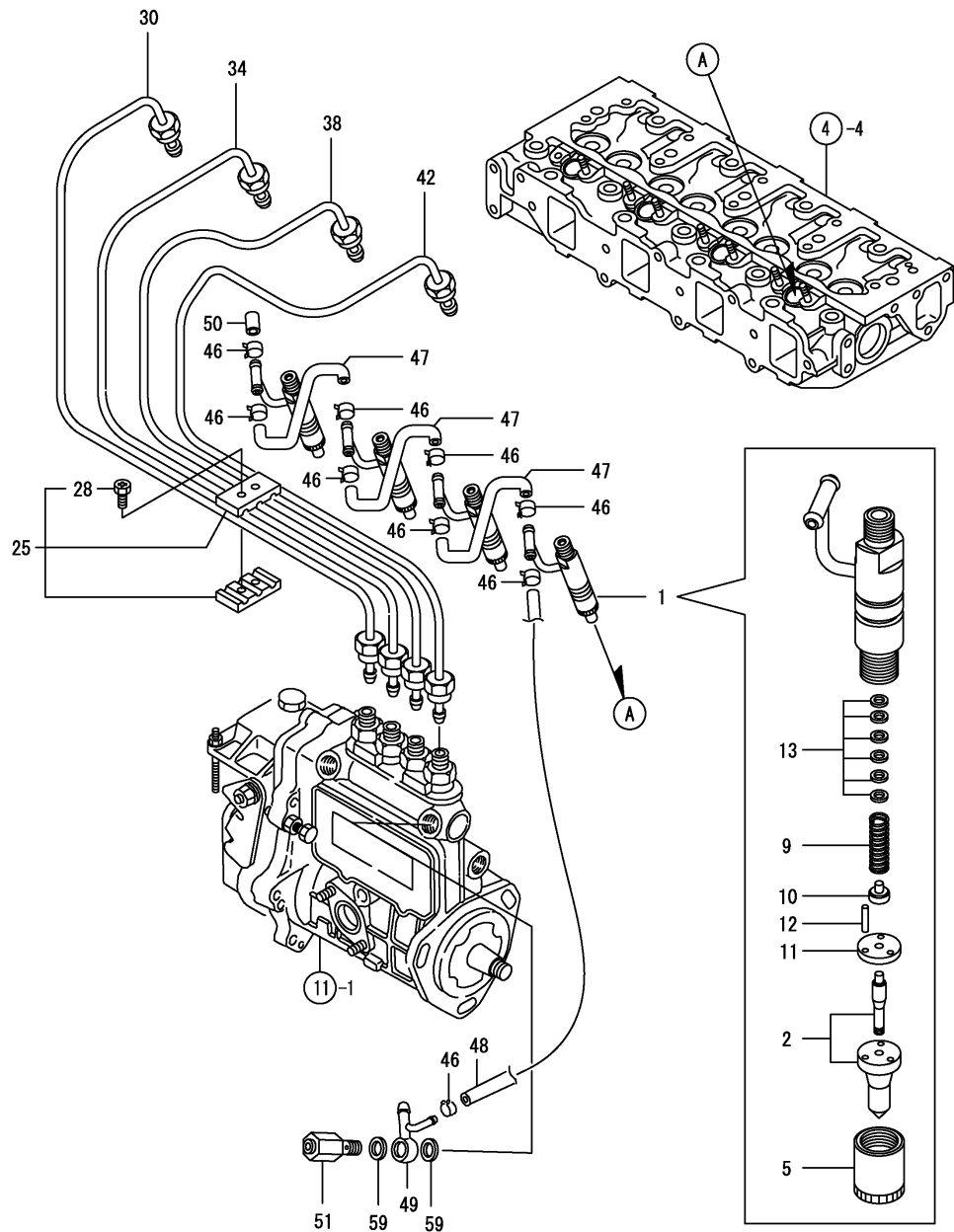
Remarks

(1) SELECTIVE PARTS: CERTAIN THE CLASSIFICATION MARK, THEN PLACE YOUR ORDER.(REFER TO ILLUSTRATION).

(2) SELECTIVE PARTS.

* THIS FIGURE(GOVERNOR ASSY)IS INCORPORATED IN THE FUEL INJECTION PUMP ASSY(FIG.11).

Fig.13. FUEL INJECTION VALVE



(A)=4TNE88-EFL

(B)=

(C)=

(D)=

(E)=

(F)=

No.	Lev.	Parts No.	Description	Q'ty						I	R
				(A)	(B)	(C)	(D)	(E)	(F)		
1	1	729503-53100	VALVE ASSY,INJECTION	4							
2	2	129503-53000	VALVE ASSY,INJECTION	4							
5	2	114250-53080	NUT, NOZZLE D16.95	4							
9	2	114250-53120	SPRING, NOZZLE	4							
10	2	114250-53130	SEAT, SPRING	4							
11	2	114250-53140	PLATE	4							
12	2	114250-53210	PIN	8							
13	2	114250-53400	SHIM SET	4							
25	1	129150-59120	RETAINER, PIPE	2							
28	2	129150-59131	BOLT, M4X14	4							
30	1	129400-59910	PIPE ASSY, INJECTION	1							
34	1	129400-59920	PIPE ASSY, INJECTION	1							
38	1	129400-59930	PIPE ASSY, INJECTION	1							
42	1	129400-59940	PIPE ASSY, INJECTION	1							
46	1	124066-59100	CLIP, HOSE 8	9							
47	1	121250-59550	PIPE, FUEL D8X120	3							
48	1	119840-59560	PIPE, FUEL RETURN	1							
49	1	119840-59570	JOINT	1							
50	1	129150-59580	CAP	1							
51	1	129100-59951	VALVE ASSY, CHECK	1							
59	1	22190-120002	WASHER, SEAL 12	2							

Fig.14. FUEL LINE

(A)=4TNE88-EFL

(B)=

(C)=

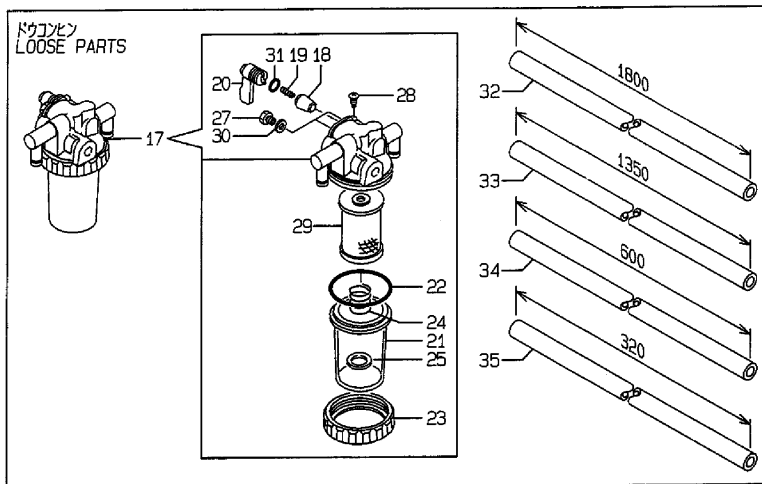
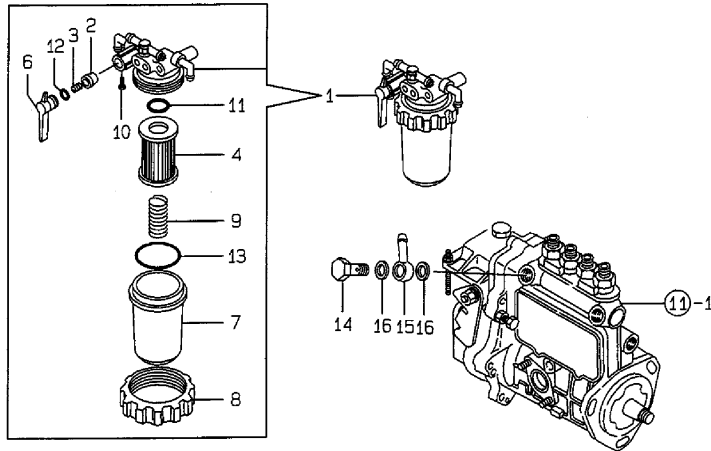
(D)=

(E)=

(F)=

Y00D6980
4TNE88-EFL

14 FUEL LINE



No.	Lev.	Parts No.	Description	Q'ty						I	R
				(A)	(B)	(C)	(D)	(E)	(F)		
1	1	129052-55620	FILTER ASSY, FUEL	1							
2	2	104200-55321	VALVE, TAPER	1							
3	2	104200-55330	SPRING, VALVE	1							
4	2	129100-55650	ELEMENT	1							
6	2	129100-55670	LEVER	1							
7	2	129100-55680	CUP, STRAINER	1							
8	2	129100-55690	RING, RETAINING	1							
9	2	129100-55700	SPRING	1							
10	2	104200-55750	SCREW, M4	1							
11	2	24311-000160	O-RING, 1AP16.0	1							
12	2	24311-240100	O-RING, 1AP10A	1							
13	2	24321-000650	O-RING, 1AG65.0	1							
14	1	103854-39140	BOLT, PIPE JOINT	1							
15	1	101304-59020	JOINT, PIPE 12	1							
16	1	22190-120002	WASHER, SEAL 12	2							
17	1	129335-55700	SEPARATOR ASSY,WATER	1							
18	2	104200-55321	VALVE, TAPER	1							
19	2	104200-55330	SPRING, VALVE	1							
20	2	104200-55341	HANDLE	1							
21	2	124064-55510	COVER	1							
22	2	102103-55520	O-RING	1							
23	2	110250-55610	RING, RETAINING	1							
24	2	121257-55720	SPRING	1							
25	2	121257-55731	FLOAT	1							
27	2	101720-55750	PLUG, 6	2							
28	2	104200-55750	SCREW, M4	1							
29	2	171081-55910	SCREEN	1							
30	2	23418-060000	GASKET, 6X1.0	2							
31	2	24311-240100	O-RING, 1AP10A	1							
32	1	121256-59072	PIPE, FUEL OIL	2							
33	1	121522-59080	PIPE, FUEL	1							
34	1	124323-59100	PIPE, FUEL D12X600	2							
35	1	121750-59110	PIPE, FUEL D12X320	2							

Fig.15. STARTING MOTOR

(A)=4TNE88-EFL

(B)=

(C)=

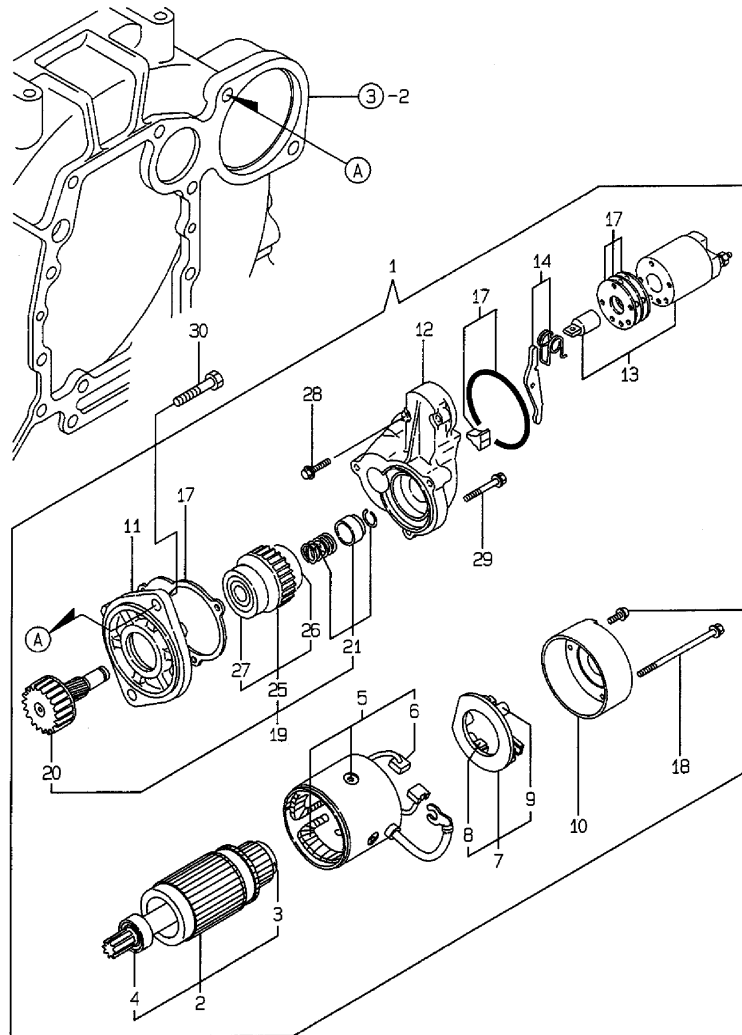
(D)=

(E)=

(F)=

Y00D6980
47NE88-EFL

15 スターティングモータ
STARTING MOTOR

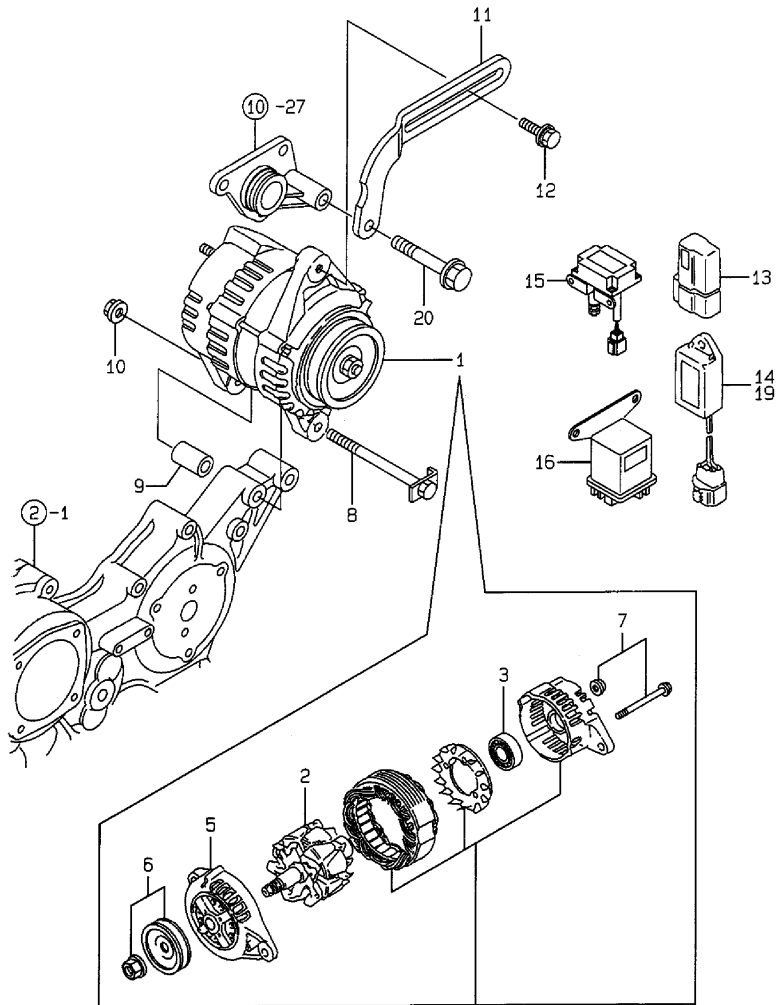


No.	Lev.	Parts No.	Description	Q'ty						I	R
				(A)	(B)	(C)	(D)	(E)	(F)		
1	1	129400-77012	STARTING MOTOR	1							
2	2	129486-77400	ARMATUER	1							
3	3	171008-77410	BEARING(1)	1							
4	3	171008-77420	BEARING(2)	1							
5	2	129400-77441	COIL ASSY, FIELD	1							
6	3	129486-77460	BRUSH	2							
7	2	129486-77470	HOLDER ASSY, BRUSH	1							
8	3	129486-77460	BRUSH	2							
9	3	129486-77490	SPRING, START BRUSH	4							
10	2	129900-77460	COVER, REAR	1							
11	2	171008-77510	HOUSING ASSY, GEAR	1							
12	2	129400-77520	HOUSING, CENTER	1							
13	2	129400-77531	SWITCH ASSY, MAGNETIC	1							
14	2	171008-77540	LEVER SET, SHIFT	1							
17	2	129400-77571	DUST COVER, (NON-ASB.)	1							
18	2	129900-77640	BOLT, THROUGH	2							
19	2	171008-77650	PINION ASSY	1							
20	3	171008-77660	SHAFT, PINION	1							
21	3	171008-77670	STOPPER SET, PINION	1							
25	3	X2114555500	CLUTCH ASSY	1							
26	4	X2114955020	BALL BEARING	1							
27	4	X2240410100	BEARING, BALL	1							
28	2	26106-060322	BOLT, M6X 32 PLATED	2							
29	2	26106-060402	BOLT, M6X 40 PLATED	3							
30	1	26116-120252	BOLT, M12X 25 PLATED	2							

Fig.16. GENERATOR

Y00D6980
4TNE88-EFL

16 ジェネレータ
GENERATOR



(A)=4TNE88-EFL
(B)=
(C)=

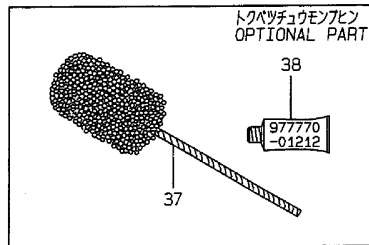
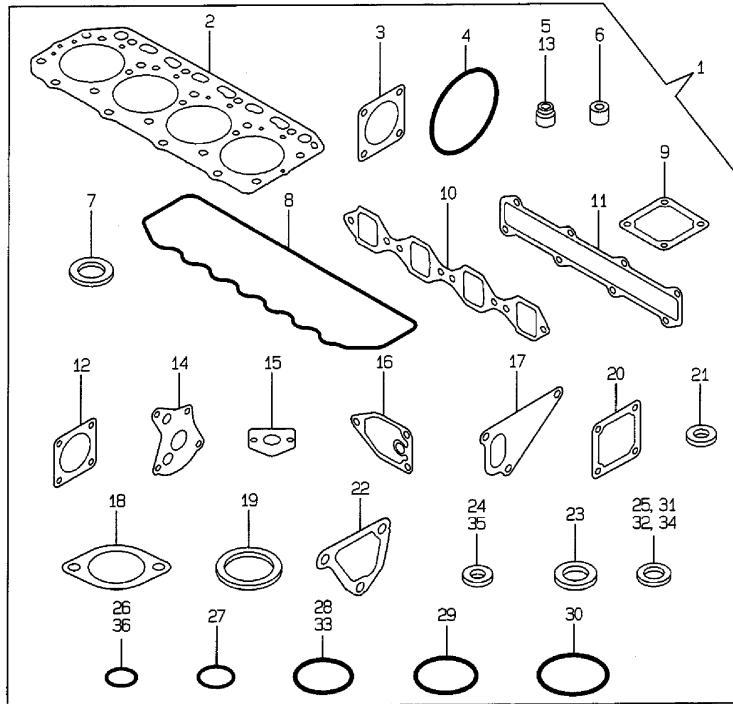
(D)=
(E)=
(F)=

No.	Lev.	Parts No.	Description	Q'ty						I	R
				(A)	(B)	(C)	(D)	(E)	(F)		
1	1	119836-77201	GENERATOR (AC)	1							
2	2	129612-77700	ROTOR ASSY	1							
3	2	129612-77710	BEARING, BALL	1							
5	2	129612-77730	BRACKET ASSY, FILTER	1							
6	2	129612-77740	PULLEY	1							
7	2	129612-77750	SCREW KIT	1							
8	1	129136-77251	BOLT, M8X110	1							
9	1	119820-77340	PIECE, DISTANCE	1							
10	1	129612-77260	NUT, ALTERNATOR	1							
11	1	129100-77320	ADJUSTER	1							
12	1	119810-77340	BOLT, ADJUSTER	1							
13	1	119643-66900	DIODE	1							
14	1	128300-77920	TIMER	1							
15	1	129136-77101	RELAY, SAFETY	1							
16	1	119650-77910	RELAY ASSY, GLOW	1							
19	1	129211-77920	TIMER	1							
20	1	26106-080502	BOLT, M8X 50 PLATED	1							

Fig.17. GASKET SET

Y00D6980
4TNE88-EFL

17 パッキンセット
GASKET SET



(A)=4TNE88-EFL

(B)=

(C)=

(D)=

(E)=

(F)=

No.	Lev.	Parts No.	Description	Q'ty						I	R
				(A)	(B)	(C)	(D)	(E)	(F)		
1	1	729407-92620	GASKET SET	1							1
2	2	129407-01340	GASKET, HEAD	1							
3	2	124240-01883	GASKET	1							
4	2	121850-51960	O-RING	1							
5	2	124460-11340	SEAL, VALVE STEM	4							
6	2	119625-11870	PROTECTOR, NOZZLE	4							
7	2	119625-11880	SEAT, NOZZLE	4							
8	2	129550-11310	GASKET, BONNET	1							
9	2	129150-77511	GASKET	1							
10	2	129550-12111	GASKET, MANIFOLD	1							
11	2	129407-13110	GASKET	1							
12	2	129400-13201	GASKET, SILENCER	2							
13	2	121400-11340	SEAL, VALVE STEM	4							
14	2	129150-32020	GASKET, PUMP	1							
15	2	129150-35041	GASKET	1							
16	2	129150-35111	GASKET	1							
17	2	129100-42020	GASKET, WATER PUMP	1							
18	2	129795-49551	GASKET	1							
19	2	129150-49811	GASKET, THERMOSTAT	1							
20	2	129100-77510	GASKET, AIR HEATER	1							
21	2	124465-44950	GASKET, 16	1							
22	2	129100-49840	GASKET	1							
23	2	129155-52050	GASKET	1							
24	2	22190-080002	WASHER, SEAL 6	5							
25	2	23414-100000	GASKET, 10X1.0	2							
26	2	24311-000120	O-RING, 1AP12.0	3							
27	2	24311-000160	O-RING, 1AP16.0	3							
28	2	24311-000320	O-RING, 1AP32.0	2							
29	2	24341-000240	O-RING, 1AS24.0	1							
30	2	24341-000500	O-RING, 1AS50.0	1							
31	2	22190-220002	WASHER, SEAL 22	1							
32	2	129150-49360	GASKET	1							
33	2	129486-42140	O-RING, G30	1							
34	2	22190-120002	WASHER, SEAL 12	4							
35	2	22190-080003	WASHER, SEAL 8	2							
36	2	24311-240100	O-RING, 1AP10A	1							
37	1	129400-92420	FLEX HORN	1							1
38	1	977770-01212	GASKET, LIQUID	1							1

Remarks

(1) OPTIONAL PART.

Parts No. Index

Parts No.	Fig. No.	Ref. No.
101304-59020	14	15
101720-55750	14	27
102103-55520	14	22
103854-39140	14	14
104200-55321	14	2
		18
104200-55330	14	3
		19
104200-55341	14	20
104200-55750	14	10
		28
110250-55610	14	23
114250-53080	13	5
114250-53120	13	9
114250-53130	13	10
114250-53140	13	11
114250-53210	13	12
114250-53400	13	13
119131-18320	6	5
119233-77931	12	77
119260-34810	9	40
119600-66840	12	82
119620-01750	3	3
119625-11870	4	26
	17	6
119625-11880	4	25
	17	7
119625-11900	4	24
119640-01640	3	9
119643-66900	16	13
119650-77910	16	16
119660-61901	12	57
119810-77340	16	12
119820-77340	16	9
119836-77201	16	1
119840-59560	13	48
119840-59570	13	49
120130-11860	4	8
121023-01550	2	25
121111-21501	8	12
121250-59550	13	47
121252-39450	9	29
121256-44600	10	36
121256-59072	14	32
121257-55720	14	24
121257-55731	14	25
121400-11340	4	19
	17	13
121420-12511	5	12
121420-12530	5	14

Parts No.	Fig. No.	Ref. No.
121420-12540	5	15
121420-12550	5	16
121420-12561	5	17
121450-01560	2	6
121450-42450	10	38
121505-12210	5	4
121522-59080	14	33
121550-23200	8	30
121750-59110	14	35
121850-21680	8	11
121850-51960	2	12
	17	4
122117-51560	11	50
122710-51090	11	10
124064-55510	14	21
124066-59100	13	46
124160-01751	2	7
	4	43
124160-01910	1	5
		6
124160-11360	4	57
124160-39140	9	30
124240-01871	2	8
124240-01883	2	9
	17	3
124323-59100	14	34
124450-44510	10	30
124450-44530	10	32
124450-44550	10	35
124450-44560	10	33
124460-11340	4	20
	17	5
124465-44950	10	39
	17	21
124550-21600	8	16
124550-51350	11	32
124550-51370	11	33
124550-59820	9	36
124550-59830	9	35
124550-66370	12	59
124736-07900	4	2
124950-51190	11	17
128300-77920	16	14
129001-02930	1	19
129001-22081	8	17
129001-22500	8	19
129001-22901	8	33
129001-22950	8	35
129001-35300	9	25
129001-42003	10	2

Parts No.	Fig. No.	Ref. No.
129001-42040	10	27
129001-91840	2	21
129052-55620	14	1
129052-61050	12	5
129052-61060	12	6
129052-61070	12	7
129052-61390	12	30
129052-61500	12	31
129052-61540	12	46
129100-01580	3	1
		15
	8	2
129100-01640	3	16
129100-11100	4	14
129100-11110	4	15
129100-23910	8	29
129100-25061	7	9
129100-42020	10	14
	17	17
129100-49840	10	25
	17	22
129100-52100	11	99
129100-55650	14	4
129100-55670	14	6
129100-55680	14	7
129100-55690	14	8
129100-55700	14	9
129100-59951	13	51
129100-61400	12	16
129100-61440	12	75
129100-61650	12	83
129100-77320	16	11
129100-77500	5	5
129100-77510	5	6
	17	20
129135-12500	5	11
129135-12520	5	13
129136-77101	16	15
129136-77251	16	8
129150-01200	1	27
129150-02020	1	8
129150-02450	7	4
129150-02870	1	29
129150-02930	1	22
129150-02940	1	32
129150-03020	4	44
129150-03070	4	45
129150-03080	4	46
129150-03100	2	11
129150-11230	4	35

Parts No.	Fig. No.	Ref. No.
129150-11280	4	30
129150-11370	4	21
129150-11750	4	37
129150-11810	4	10
129150-14101	7	7
129150-14200	7	1
129150-14400	7	2
129150-21200	8	5
129150-23600	8	31
129150-23610	8	39
129150-25101	7	10
129150-25301	7	16
129150-25920	7	13
129150-25931	7	15
129150-32020	9	14
	17	14
129150-35041	9	16
	17	15
129150-35091	9	17
129150-35101	9	22
129150-35111	9	23
	17	16
129150-35151	9	24
129150-35350	9	26
129150-49360	10	1
	17	32
129150-49811	10	24
	17	19
129150-59120	13	25
129150-59131	13	28
129150-59580	13	50
129150-77511	5	7
	17	9
129155-11260	4	28
129155-11270	4	29
129155-49800	10	23
129155-51020	11	5
129155-51050	11	8
129155-51140	11	14
129155-51180	11	16
129155-51200	11	18
129155-51270	11	25
129155-51280	11	26
	12	2
129155-51320	11	30
129155-51340	11	31
129155-51370	11	34
129155-51380	11	35
129155-51390	11	36
129155-51410	11	38

Parts No. Index

Parts No.	Fig. No.	Ref. No.
129155-51420	11	39
129155-51450	11	40
129155-51521	11	46
129155-51530	11	47
129155-51540	11	48
129155-51550	11	49
129155-51570	11	52
129155-51580	11	53
129155-51591	11	54
129155-51600	11	55
129155-51790	11	78
129155-51930	11	80
129155-51940	11	81
129155-52050	11	98
	17	23
129155-61120	12	8
129155-61130	12	9
129155-61140	12	10
129155-61201	12	11
129155-61341	12	15
129155-61350	12	80
129155-61360	12	81
129155-61430	12	19
129155-61450	12	23
129155-61460	12	24
129155-61470	12	79
129155-61480	12	25
129155-61830	12	56
129155-61950	12	58
129156-51910	11	79
129202-22300	8	23
129208-51060	11	9
129208-54500	11	92
129211-77920	16	19
129335-55700	14	17
129350-49530	10	21
129400-01520	2	5
129400-01730	3	6
129400-11350	4	42
129400-13201	6	7
	17	12
129400-59910	13	30
129400-59920	13	34
129400-59930	13	38
129400-59940	13	42
129400-77012	15	1
129400-77441	15	5
129400-77520	15	12
129400-77531	15	13
129400-77571	15	17

Parts No.	Fig. No.	Ref. No.
129400-92420	17	37
129403-21590	8	13
129407-01340	1	28
	17	2
129407-11700	4	4
129407-13100	6	1
129407-13110	6	2
	17	11
129407-21000	8	1
129407-32000	9	1
129432-44740	10	18
129470-51040	11	6
129470-51101	11	11
129486-01670	3	19
129486-42140	10	28
	17	33
129486-77400	15	2
129486-77460	15	6
		8
129486-77470	15	7
129486-77490	15	9
129488-12100	5	1
129503-53000	13	2
129505-51300	11	27
129550-11290	4	31
129550-11310	4	49
	17	8
129550-12111	5	2
	17	10
129550-39450	9	31
129555-11241	4	27
129555-51400	11	37
129555-51500	11	45
129555-51700	11	74
129555-51710	11	75
129555-51750	11	76
129555-51760	11	77
129556-42350	10	17
129612-13650	6	8
129612-34840	9	42
129612-34850	9	39
129612-77260	16	10
129612-77700	16	2
129612-77710	16	3
129612-77730	16	5
129612-77740	16	6
129612-77750	16	7
129795-01780	3	18
129795-01800	2	4
129795-01950	2	10

Parts No.	Fig. No.	Ref. No.
129795-02411	1	25
129795-11120	4	16
129795-11180	4	17
129795-21661	8	10
129795-49551	10	22
	17	18
129900-77460	15	10
129900-77640	15	18
158552-61900	12	67 -1
171008-77410	15	3
171008-77420	15	4
171008-77510	15	11
171008-77540	15	14
171008-77650	15	19
171008-77660	15	20
171008-77670	15	21
171051-01921	1	7
171056-49120	10	37
171056-49351	10	40
171061-12800	5	18
171081-55910	14	29
171301-21650	8	9
171340-77520	5	8
171350-03090	4	1
171353-44760	10	19
171353-61550	12	84
171353-61710	12	76
171440-01600	3	2
174307-51170	11	15
174307-51560	11	51
174307-51700	12	32
194990-22050	6	9
22117-040000	12	60
22190-060003	12	61
22190-080002	2	23
		24
	17	24
22190-080003	9	37
		41
	17	35
22190-100002	12	62
22190-120002	12	63
	13	59
	14	16
	17	34
22190-160002	11	82
22190-220002	3	11
	17	31
22217-050000	11	83
22217-060000	11	84

Parts No.	Fig. No.	Ref. No.
22217-120000	11	94
22252-000260	8	24
22287-120000	12	64
22351-040010	8	8
22351-050010	11	85
22351-060012	4	22
22372-040000	12	65
22512-070140	7	8
	8	6
23061-070230	10	34
23414-100000	9	38
	17	25
23418-060000	14	30
23876-010000	1	11
23876-030000	1	15
	10	12
23887-100002	12	66
24101-063034	11	86
24311-000120	4	58
	17	26
24311-000160	2	13
	9	27
	14	11
	17	27
24311-000320	2	14
	4	50
	17	28
24311-240100	9	43
	14	12
		31
	17	36
24321-000650	14	13
24341-000160	11	87
24341-000240	2	26
	17	29
24341-000280	12	67
24341-000500	4	51
	17	30
25132-003800	10	16
26022-050102	11	88
26022-060162	11	89
26106-060102	12	68
		69
26106-060142	12	70
26106-060162	2	27
26106-060202	12	71
26106-060322	15	28
26106-060352	10	20
26106-060402	15	29
26106-080122	2	15

Parts No. Index

Parts No.	Fig. No.	Ref. No.
26106-080142	4	3
26106-080162	1	26
	2	16
		17
	3	12
	4	52
	9	44
	10	29
26106-080202	2	18
	9	28
26106-080222	10	26
26106-080252	3	13
	4	40
26106-080352	3	20
	5	3
	9	21
26106-080402	5	9
	6	4
26106-080452	2	19
	3	14
		14 -1
	7	14
26106-080502	3	22
	4	41
	16	20
26106-080552	2	20
26106-080602	10	15
26106-080802	5	10
26116-050302	11	90
26116-120252	15	30
26206-100252	3	4
26206-100302	3	5
26216-060202	4	12
26216-080402	6	6
26226-080182	4	38
26366-060002	4	23
26366-080002	2	22
	6	3
	12	74
26450-060252	9	15
26687-120002	12	78
26716-060002	11	91
26716-120002	11	95
26756-060002	12	72
26756-080002	4	39
26776-120002	12	73
27231-500000	1	12
27241-120000	1	13
27241-300000	1	14
27241-400000	4	13

Parts No.	Fig. No.	Ref. No.
27310-080001	4	18
719810-01500	2	1
729402-01540	3	8
729402-11650	4	34
729402-14580	7	3
729402-23100	8	25
729407-01561	1	1
729407-51450	11	1
729407-92620	17	1
729503-53100	13	1
977770-01212	2	28
	3	21
	17	38
X2114555500	15	25
X2114955020	15	26
X2240410100	15	27

Parts No.	Fig. No.	Ref. No.
-----------	----------	----------

Parts No.	Fig. No.	Ref. No.
-----------	----------	----------