

OCD10-M69601EN

# PREFACE

1. This parts catalog is the first edition of 3TNE68-YB, 3TNE68-EYB, 3TNE68-YBB, SHINKO ENGINEERING CO., LTD.

Pub. No.: 000Y00D6961

Published: Aug.,2000

2. Model name

Engine model	Equipped Operating Machine		Manufacturer
	Products	Model name	
3TNE68-YB	EXCAVATOR	Z 67	SHINKO ENGINEERING CO., LTD.
3TNE68-EYB		Z 67 (EPA)	
3TNE68-YBB		Z 67	

## Directions for the Parts Catalog.

- The parts stipulated in this Parts Catalog are not necessarily standard equipped parts.
- Parts may change without prior notice.
- The following is an example of the Parts Catalog format.

OCF10-G21601 29. FUEL INJECTION PUMP(W/BOOST)

REF.	LEV.	PARTS NO.	DESCRIPTION	Q'TY						I	R
				(A)	(B)	(C)	(D)	(E)	(F)		
1	1	729595-51390	FUEL INJECTION PUMP	1	1	1	1	1			1
1-1	1	729595-51391	FUEL INJECTION PUMP	1	1	1	1	1		N	1
		(A=E00185) (B=E00200)									
3	2	26022-060162	SCREW M 6X 16	9	9	9	9	9			
3-1	2	26022-060162	SCREW M 6X 16	4	4	4	4	4		K	
		(A=E00156) (B=E00156) (C=E00156) (D=E00156) (E=E00156)									
4	2	129470-51040	CAMSHAFT	1	1	1	1	1			
5	2	122710-51050	BEARING, ROLLER	2	2	2	2	2			
6	2	129470-51060	RETAINER	1	1	1	1	1			

Remarks

(1) BOOST COMPEMSATOR TYPE. OPTIONAL PART, TO E00155,(4JH-DT, 4JH-DTZ

### ① Ref. No.

The Ref. No. listed may not be in accordance with the illustration Ref. No.

(Ex.) Illustration No.

List Ref No.

1

1

(Before change)

1-1

(After change)

For interchangeable symbols N, R and K, illustrations for new parts may be abbreviated.

### ② Lev. (Level)

Level indication

The numbers below indicate the level of relativity towards the main part.

1 ----- Main parts (Assembly parts)

2 ----- Sub component included in " 1 ".

3 ----- Sub component included in " 2 ".

Note) Parts that are not for sale are partially illustrated but not listed.

### ③ Interchangeability Mark

When a part change takes place, one of the following interchangeability symbols is indicated beside the part.

Symbol	Interchangeability	Contents note
N	Old $\begin{matrix} \leftarrow \text{Yes} \\ \text{No} \rightarrow \end{matrix}$ New	New Part is interchangeable for Old Part but Old Part is not interchangeable for New Part.
Q	Old $\begin{matrix} \leftarrow \text{No} \\ \text{Yes} \rightarrow \end{matrix}$ New	New Part is not interchangeable for Old Part but Old Part is interchangeable for New Part.
R	Old $\begin{matrix} \leftarrow \text{Yes} \\ \text{Yes} \rightarrow \end{matrix}$ New	New/ Old Parts are both interchangeable.
S	Old $\begin{matrix} \leftarrow \text{No} \\ \text{No} \rightarrow \end{matrix}$ New	New/ Old Parts are both not interchangeable.
W		Part newly added.
Z		Part discontinued.
F		Not interchangeable by a single part but interchangeable together with related parts.
K		Changes only for used parts quantities.

### ④ Effective Machine No.

When a part changes, the effective Machine No. will be indicated in the (A)-(F) column.

Product Symbol	Product No.	Product Symbol	Product No.
C	Clutch No. Compressor No.	F	Machine No. (Agricultural Equip.)
D	Drive No.	M	Machine No.
E	Engine No.		

Note 1) A date may follow the symbol. (Ex.) 1996.01

Note 2) "XXXXX" and "ZZZZZ" are for parts that could not be predicted or for engine models that could not be identified.

Note 3) (A=E00185) is the E (Engine Serial Number) for the column (A) model (in this case 4JH-DT) after the parts design change.

### ⑤ Remarks Mark

Figures or alphabets (symbols) are entered in the remarks column.

The comments (remarks) on parts that are indicated at the bottom of the illustration are the same symbols as those stated above.

# Contents

OCD10-M69601

Fig. No. Fig. Name

3TNE68-(E)YB(B)

1. CYLINDER BLOCK
2. GEAR HOUSING
3. FLYWHEEL HOUSING & OIL SUMP
4. CYLINDER HEAD & BONNET
5. SUCTION & EXHAUST MANIFOLD
6. CAMSHAFT & DRIVING GEAR
7. CRANKSHAFT & PISTON
8. LUB.OIL SYSTEM
9. COOLING WATER SYSTEM
10. FUEL INJECTION PUMP
11. GOVERNOR
12. FUEL INJECTION VALVE
13. FUEL LINE
14. STARTING MOTOR
15. GENERATOR
16. GASKET SET

Fig. No. Fig. Name

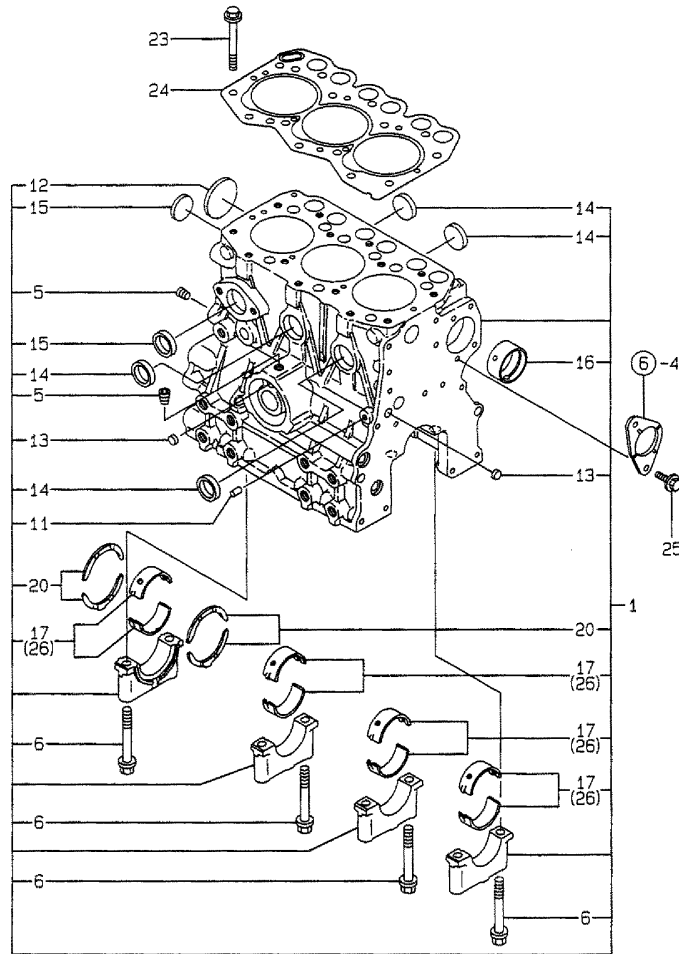
# Fig.1. CYLINDER BLOCK

(A)=3TNE68-YB  
(B)=3TNE68-EYB  
(C)=3TNE68-YBB

(D)=  
(E)=  
(F)=

Y00D6961  
3TNE68-(E)YB, YBB

↑ シリンダブロック  
↑ CYLINDER BLOCK



No.	Lev.	Parts No.	Description	Q'ty						I	R
				(A)	(B)	(C)	(D)	(E)	(F)		
1	1	719265-01560	BLOCK ASSY, CYLINDER	1	1	1					
5	2	124060-01050	PLUG, PT1/8	2	2	2					
6	2	119260-02020	BOLT, METAL CAP	8	8	8					
11	2	27221-060100	PLUG, 6X10	1	1	1					
12	2	27231-400000	PLUG 40	1							
12-1	2	119265-01250	PLUG, 40	1	1	1					N
(A=E60075)											
13	2	27241-100000	PLUG, 10	2	2	2					
14	2	27241-250000	PLUG, 25	4	4	4					
15	2	27241-300000	PLUG 30	2	2	2					
16	2	119266-02410	BUSH	1	1	1					
17	2	119260-02800	BEARING, MAIN	4	4	4					
20	2	119260-02930	BEARING, THRUST	2	2	2					
23	1	119266-01200	BOLT, HEAD	14	14	14					
24	1	119265-01341	GASKET, HEAD	1	1	1					
25	1	26106-060122	BOLT, M6X 12 PLATED	2	2	2					
26	1	719260-02870	BEARING, 0.25 US	4	4	4					1

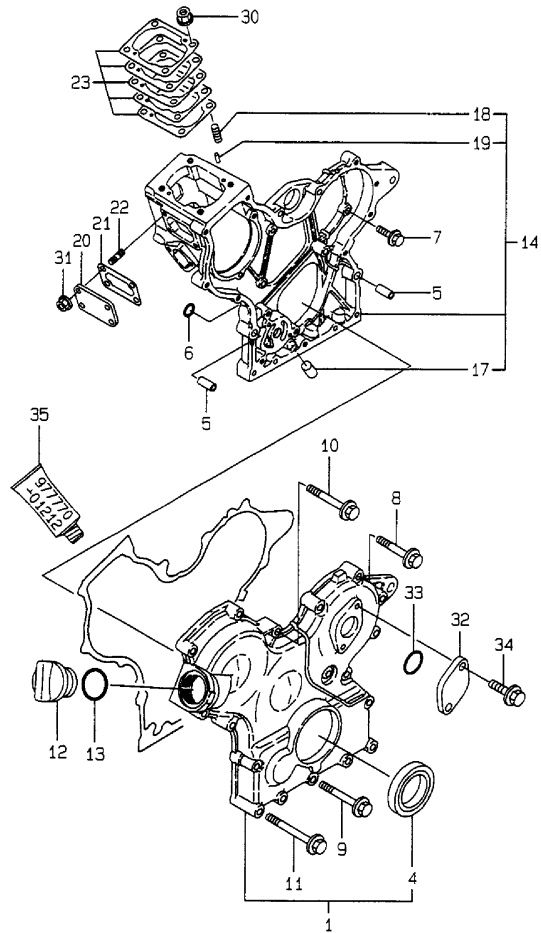
Remarks

(1) UNDER-SIZE(U.S=0.25)PART.

Fig.2. GEAR HOUSING

Y00D6961  
3TNE68-(E) YB, YBB

2 ギヤケース  
GEAR HOUSING



(A)=3TNE68-YB  
(B)=3TNE68-EYB  
(C)=3TNE68-YBB

(D)=  
(E)=  
(F)=

No.	Lev.	Parts No.	Description	Q'ty						I	R
				(A)	(B)	(C)	(D)	(E)	(F)		
1	1	119260-01590	COVER ASSY,GEAR CASE	1	1	1					
4	2	119620-01800	SEAL, OIL	1	1	1					
5	1	119660-01911	PIPE, KNOCK	4	4	4					
6	1	119624-32040	O-RING, P12.0	2	2	2					
7	1	26106-060162	BOLT, M6X 16 PLATED	5	5	5					
8	1	26106-060302	BOLT, M6X 30 PLATED	5	5	5					
9	1	26106-060402	BOLT, M6X 40 PLATED	3	3	3					
10	1	26106-060502	BOLT, M6X 50 PLATED	4	4	4					
11	1	26106-060652	BOLT, M6X 65 PLATED	6	6	6					
12	1	124160-01751	COVER, FILLER	1	1	1					
13	1	24311-000320	O-RING, 1AP32.0	1	1	1					
14	1	119260-01490	CASE ASSY, GEAR	1	1	1					
17	2	119260-01510	PLUG	1	1	1					
18	2	121450-01560	STUD, M8X22	4	4	4					
19	2	22351-040010	PIN, SPRING 4.0X10	2	2	2					
20	1	119660-01551	COVER	1	1	1					
21	1	119660-01562	GASKET	1	1	1					
22	1	119660-01570	STUD, M6X12	4	4	4					
23	1	119623-01950	SHIM SET, ADJUSTING	1	1	1					
30	1	194990-22050	NUT, M8	4	4	4					
31	1	26366-060002	NUT, M6	4	4	4					
32	1	121023-01550	COVER	1	1	1					
33	1	24341-000240	O-RING, 1AS24.0	1	1	1					
34	1	26106-060162	BOLT, M6X 16 PLATED	2	2	2					
35	1	977770-01212	GASKET, LIQUID	1	1	1					1

Remarks

(1) OPTIONAL PART.

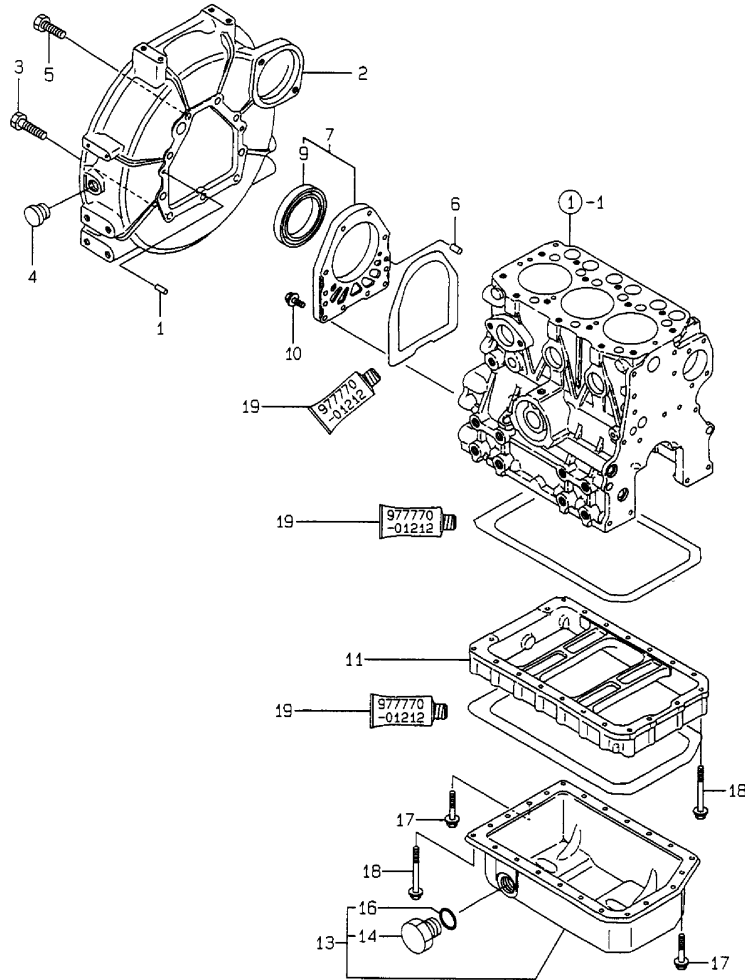
Fig.3. FLYWHEEL HOUSING & OIL SUMP

(A)=3TNE68-YB  
 (B)=3TNE68-EYB  
 (C)=3TNE68-YBB

(D)=  
 (E)=  
 (F)=

Y00D6961  
 3TNE68-(E) YB, YBB

3 フライホイールハウジング & オイルパン  
 FLYWHEEL HOUSING & OIL SUMP



No.	Lev.	Parts No.	Description	Qty						I	R
				(A)	(B)	(C)	(D)	(E)	(F)		
1	1	129100-01580	PIN, M8X16	2	2	2					
2	1	119260-01600	HOUSING, FLYWHEEL	1	1	1					
3	1	121120-01620	BOLT, M10X28	3	3	3					
4	1	119620-01750	CAP	1	1	1					
5	1	26206-100252	BOLT, M10X 25 PLATED	6	6	6					
6	1	119620-01620	PIN, M6X10	2	2	2					
7	1	119660-01640	CASE ASSY, OIL SEAL	1	1	1					
9	2	124085-02220	SEAL, OIL	1	1	1					
10	1	26106-060222	BOLT, M6X 22 PLATED	10	10	10					
11	1	119454-01721	SPACER, OIL SUMP	1	1	1					
13	1	119260-01770	SUMP ASSY, OIL	1	1	1					
14	2	121400-01640	PLUG, 16	1	1	1					
16	2	24311-000180	O-RING, 1AP18.0	1	1	1					
17	1	26106-060102	BOLT, M6X 10 PLATED	3	3	3					
18	1	26106-060452	BOLT, M6X 45 PLATED	20	20	20					
19	1	977770-01212	GASKET, LIQUID	1	1	1					1

Remarks  
 (1) OPTIONAL PART.

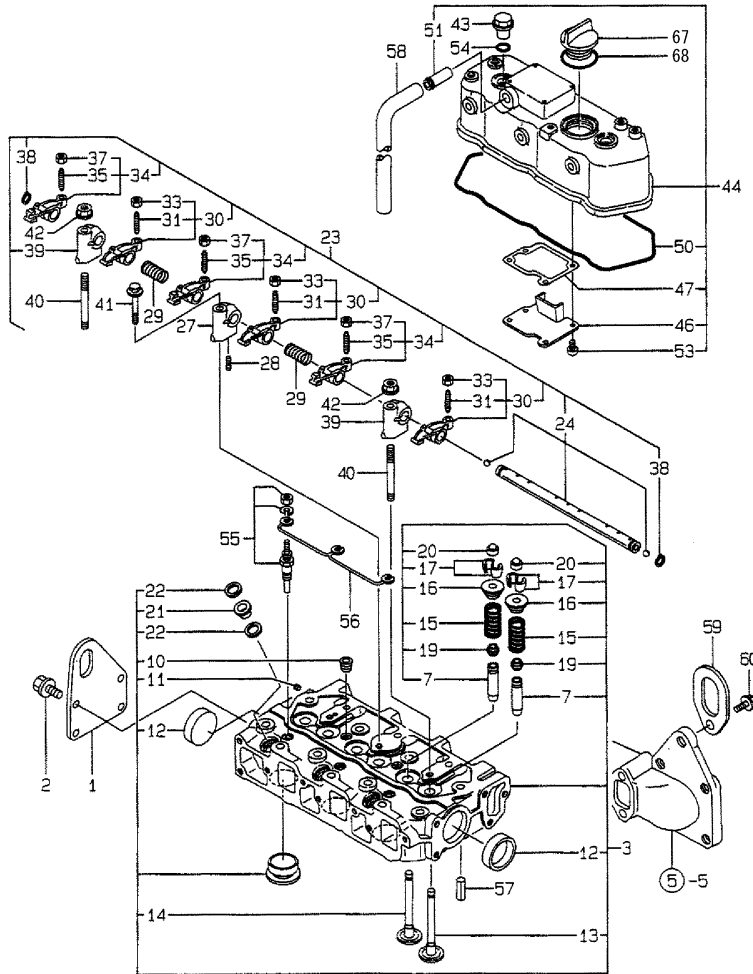
Fig.4. CYLINDER HEAD & BONNET

(A)=3TNE68-YB  
(B)=3TNE68-EYB  
(C)=3TNE68-YBB

(D)=  
(E)=  
(F)=

Y00D6961  
3TNE68-(E) YB, YBB

4 シリンダヘッド & ボンネット  
CYLINDER HEAD & BONNET



No.	Lev.	Parts No.	Description	Q'ty						I	R
				(A)	(B)	(C)	(D)	(E)	(F)		
1	1	119632-07900	LIFTER	1	1	1					
2	1	26106-060122	BOLT, M6X 12 PLATED	4	4	4					
3	1	119265-11710	HEAD ASSY, CYLINDER	1	1	1					
7	2	119260-11800	GUIDE, VALVE	6	6	6					1
10	2	23876-030000	PLUG, R03	2	2	2					
11	2	27221-050080	PLUG, 5X 8	1	1	1					
12	2	27241-350000	PLUG, 35	2	2	2					
13	2	119260-11100	VALVE, INTAKE	3	3	3					
14	2	119260-11110	VALVE, EXHAUST	3	3	3					
15	2	114250-11120	SPRING, VALVE	6	6	6					
16	2	114250-11180	RETAINER, SPRING	6	6	6					
17	2	714250-11570	COTTER ASSY	6	6	6					
19	2	119260-11340	SEAL, VALVE STEM	6	6	6					
20	2	119260-11370	CAP, VALVE	6	6	6					
21	2	119600-11450	PROTECTOR, NOZZLE	3	3	3					
22	2	119600-11460	GASKET, NOZZLE	6	6	6					
23	1	119260-11200	SUPPORT ASSY, ARM	1	1	1					
24	2	119260-11240	SHAFT ASSY, ROCKER	1	1	1					
27	2	119260-11260	SUPPORT, ROCKER ARM	1	1	1					
28	2	119260-11270	SCREW	1	1	1					
29	2	119260-11280	SPRING	2	2	2					
30	2	719260-11650	ARM ASSY, ROCKER	3	3	3					
31	3	105010-11230	SCREW, VALVE ADJUST	3	3	3					
33	3	26756-060002	NUT, LOCK M6	3	3	3					
34	2	719260-11660	ARM ASSY, ROCKER	3	3	3					
35	3	105010-11230	SCREW, VALVE ADJUST	3	3	3					
37	3	26756-060002	NUT, LOCK M6	3	3	3					
38	2	22242-000100	RING, 10	2	2	2					
39	2	119265-11260	SUPPORT, ROCKER ARM	2	2	2					
40	1	119620-11350	STUD	2	2	2					
41	1	26106-080452	BOLT, M8X 45 PLATED	1	1	1					
42	1	26366-080002	NUT, M8	2	2	2					
43	1	124160-11360	KNOB	2	2	2					
44	1	119260-11330	BONNET ASSY, HEAD	1							
44-1	1	119260-11331	BONNET ASSY, HEAD	1	1	1					N
(A=E60075)											
46	2	119260-03020	PLATE, SHELTER	1	1	1					
47	2	119260-03031	GASKET	1	1	1					
50	2	119260-11310	GASKET, BONNET	1	1	1					
51	2	118400-03060	JOINT, BREATHER	1	1	1					
53	2	22857-500100	SCREW, 5X10	4	4	4					
54	1	24311-000120	O-RING, 1AP12.0	2	2	2					
55	1	129795-77800	PLUG, GLOW	3	3	3					
56	1	119620-77820	CONNECTOR, GLOW PLUG	1	1	1					
57	1	22351-060012	PIN, SPRING 6.0X12	2	2	2					
58	1	23065-120800	PIPE, 12X 800	1	1	1					
59	1	119225-07910	LIFTER	1	1	1					
60	1	26106-080142	BOLT, M8X 14 PLATED	1	1	1					
67	1	124160-01751	COVER, FILLER	1	1	1					
68	1	24311-000320	O-RING, 1AP32.0	1	1	1					

Remarks  
(1) REPAIR PART.



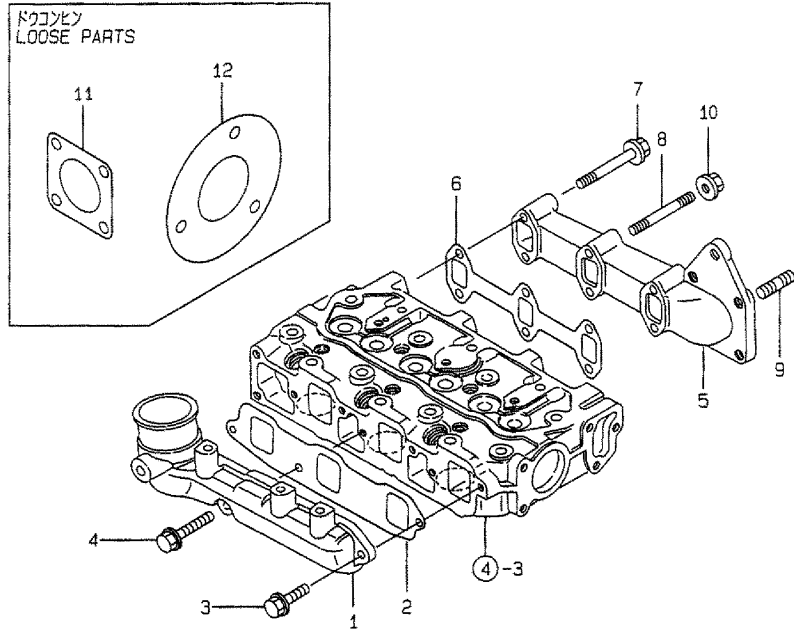
Fig.5. SUCTION & EXHAUST MANIFOLD

(A)=3TNE68-YB  
 (B)=3TNE68-EYB  
 (C)=3TNE68-YBB

(D)=  
 (E)=  
 (F)=

Y0006961  
 3TNE68-(E) YB, YBB

5 キュウ、ハイキマニホルド  
 SUCTION & EXHAUST MANIFOLD



No.	Lev.	Parts No.	Description	Q'ty						I	R
				(A)	(B)	(C)	(D)	(E)	(F)		
1	1	119270-12100	MANIFOLD, AIR INTAKE	1							
1-1	1	119275-12101 (A=E60075)	MANIFOLD, AIR INTAKE	1	1	1					R
2	1	119270-12110	GASKET, MANIFOLD	1	1	1					
3	1	26106-060162	BOLT, M6X 16 PLATED	2	2	2					
4	1	26106-060282	BOLT, M6X 28 PLATED	1	1	1					
5	1	119233-13100	MANIFOLD, EXHAUST	1	1	1					
6	1	119260-13110	GASKET	1	1	1					
7	1	26106-060402	BOLT, M6X 40 PLATED	4	4	4					
8	1	26216-060402	STUD, M6X 40	2	2	2					
9	1	119131-18320	STUD, M8X22	4	4	4					
10	1	26366-060002	NUT, M6	2	2	2					
11	1	124701-11911	GASKET, SILENCER	1	1	1					
12	1	103954-13201	GASKET, SILENCER	1	1	1					

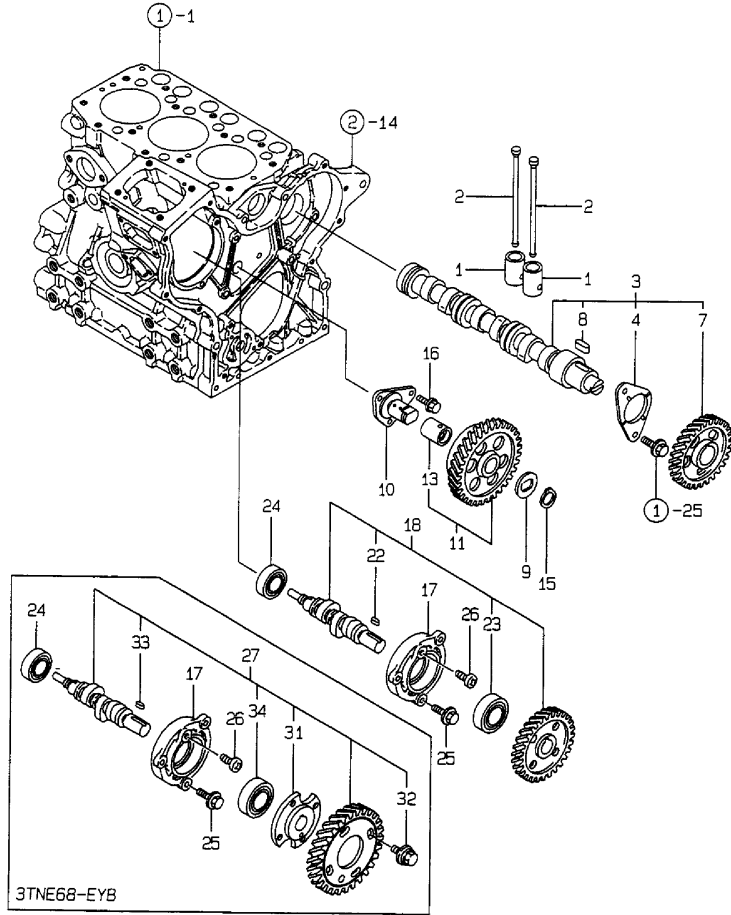
Fig.6. CAMSHAFT & DRIVING GEAR

(A)=3TNE68-YB  
(B)=3TNE68-EYB  
(C)=3TNE68-YBB

(D)=  
(E)=  
(F)=

Y00D6961  
3TNE68-(E) YB, YBB

6 カムシャフト & クドウギヤ  
CAMSHAFT & DRIVING GEAR



No.	Lev.	Parts No.	Description	Qty						I	R
				(A)	(B)	(C)	(D)	(E)	(F)		
1	1	119260-14200	TAPPET	6	6	6					
2	1	119260-14400	ROD, PUSH	6	6	6					
3	1	119260-14580	CAMSHAFT ASSY	1	1	1					
4	2	119620-02450	BEARING, THRUST	1	1	1					
7	2	119260-14100	GEAR, CAMSHAFT	1	1	1					
8	2	22512-040120	KEY, 4X 12	1	1	1					
9	1	119660-25022	RETAINER	1	1	1					
10	1	119660-25052	SHAFT, IDLE	1	1	1					
11	1	119260-25100	GEAR ASSY, IDLE	1	1	1					
13	2	119620-25912	BUSH	1	1	1					1
15	1	22242-000200	RING, 20	1	1	1					
16	1	26106-060122	BOLT, M6X 12 PLATED	3	3	3					
17	1	119660-01821	BEARING, FUEL CAM	1	1	1					
18	1	119225-14200	CAM ASSY	1	1	1					
22	2	22512-040120	KEY, 4X 12	1	1	1					
23	2	24102-063034	BEARING, BALL 6303U	1	1	1					
24	1	24101-062034	BEARING, BALL 6203	1	1	1					
25	1	26106-060162	BOLT, M6X 16 PLATED	3	3	3					
26	1	26587-080102	SCREW, M8X10	1	1	1					
27	1	119225-14210	CAM ASSY		1						
31	2	119660-25920	FLANGE		1						
32	2	119660-25930	BOLT		4						
33	2	22512-040120	KEY, 4X 12		1						
34	2	24102-063034	BEARING, BALL 6303U		1						

Remarks  
(1) REPAIR PART.

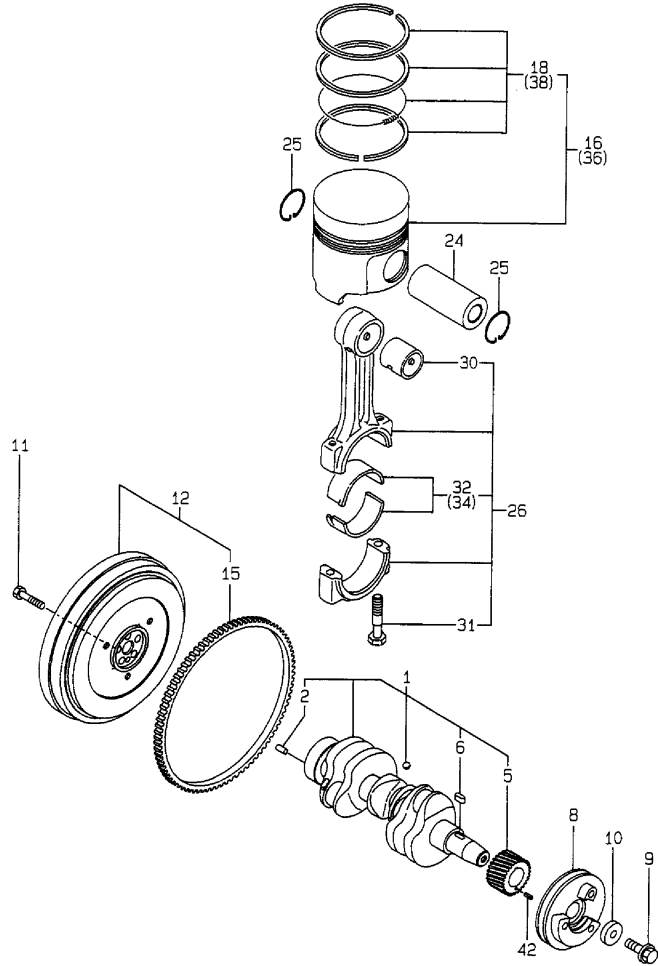
Fig.7. CRANKSHAFT & PISTON

(A)=3TNE68-YB  
 (B)=3TNE68-EYB  
 (C)=3TNE68-YBB

(D)=  
 (E)=  
 (F)=

Y00D6961  
 3TNE68-(E)YB, YBB

7 クランクシャフト & ピストン  
 CRANKSHAFT & PISTON



No.	Lev.	Parts No.	Description	Qty						I	R
				(A)	(B)	(C)	(D)	(E)	(F)		
1	1	119265-21700	CRANKSHAFT ASSY	1	1	1					
2	2	129100-01580	PIN, M8X16	1	1	1					
5	2	119260-21200	GEAR, CRANKSHAFT	1	1	1					
6	2	22512-040120	KEY, 4X 12	1	1	1					
8	1	119253-21650	V-PULLEY	1	1	1					
9	1	119621-21680	BOLT, FLANGE 12X1.25	1	1	1					
10	1	119620-21941	WASHER	1	1	1					
11	1	119620-21500	BOLT, FLYWHEEL	5	5	5					
12	1	119253-21590	FLYWHEEL ASSY	1	1	1					
15	2	124950-21600	GEAR, RING	1	1	1					
16	1	119265-22080	PISTON ASSY	3	3	3					
18	2	119265-22500	RING SET, PISTON	3	3	3					
24	1	119265-22300	PIN, PISTON	3	3	3					
25	1	22252-000200	RING, 20	6	6	6					
26	1	119265-23100	ROD ASSY, CONNECTING	3	3	3					
30	2	119260-23910	BEARING, PISTON PIN	3	3	3					1
31	2	119265-23200	BOLT, CONNECTING ROD	6	6	6					
32	2	719260-23600	BEARING, CRANK PIN	3	3	3					
34	1	719260-23610	BEARING ASSY, 0.25	3	3	3					2
36	1	119265-22940	PISTON ASSY, 0.25 OS	3	3	3					3
38	2	119265-22950	RING SET, 0.25 OS	3	3	3					3
42	1	22351-030010	PIN, SPRING 3.0X10	1	1	1					

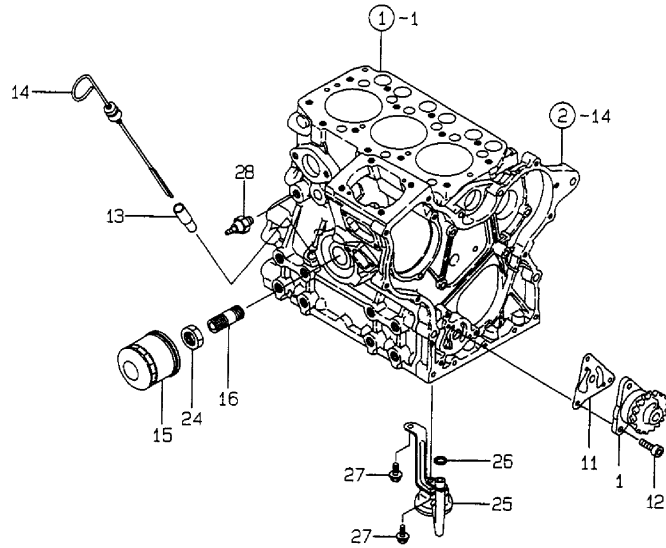
Remarks

- (1) REPAIR PART.
- (2) UNDER-SIZE(U.S=0.25)PART.
- (3) OVER-SIZE(O.S=0.25)PART.

Fig.8. LUB.OIL SYSTEM

Y00D6961  
3TNE68-(E)YB, YBB

LOシステム  
LUB.OIL SYSTEM



(A)=3TNE68-YB  
(B)=3TNE68-EYB  
(C)=3TNE68-YBB

(D)=  
(E)=  
(F)=

No.	Lev.	Parts No.	Description	Q'ty						I	R
				(A)	(B)	(C)	(D)	(E)	(F)		
1	1	119260-32000	PUMP ASSY, OIL	1	1	1					
11	1	119660-32020	GASKET, PUMP	1	1	1					
12	1	26450-060202	BOLT, M6X 20	3	3	3					
13	1	121520-34810	GUIDE, DIPSTICK	1	1	1					
14	1	119265-34820	DIPSTICK, OIL	1	1	1					
15	1	119305-35150	FILTER, OIL	1	1	1					
16	1	119225-35300	VALVE ASSY,OIL PRESS	1	1	1					
24	1	129150-35350	NUT	1	1	1					
25	1	119260-35081	PIPE, OIL INLET	1	1	1					
26	1	119209-35030	O-RING, P11	1	1	1					
27	1	26106-060122	BOLT, M6X 12 PLATED	2	2	2					
28	1	124160-39450	SWITCH, 0.5KG	1							
28-1	1	114250-39450	SWITCH, 0.5KG	1	1	1					N

(A=E60075)

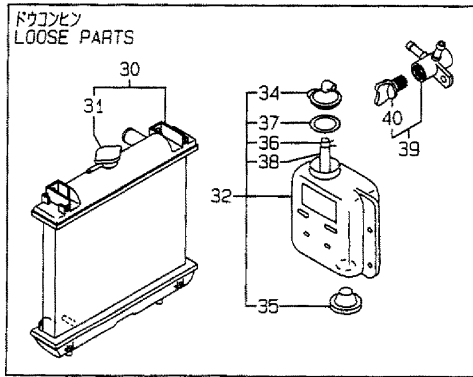
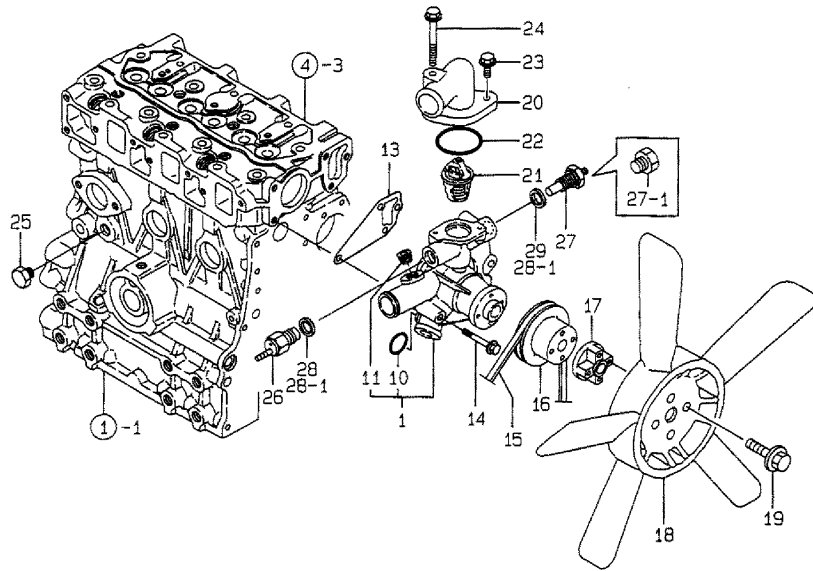
Fig.9. COOLING WATER SYSTEM

(A)=3TNE68-YB  
(B)=3TNE68-EYB  
(C)=3TNE68-YBB

(D)=  
(E)=  
(F)=

Y0006951  
3TNE68-(E)YB, YBB

9 CWシステム  
COOLING WATER SYSTEM



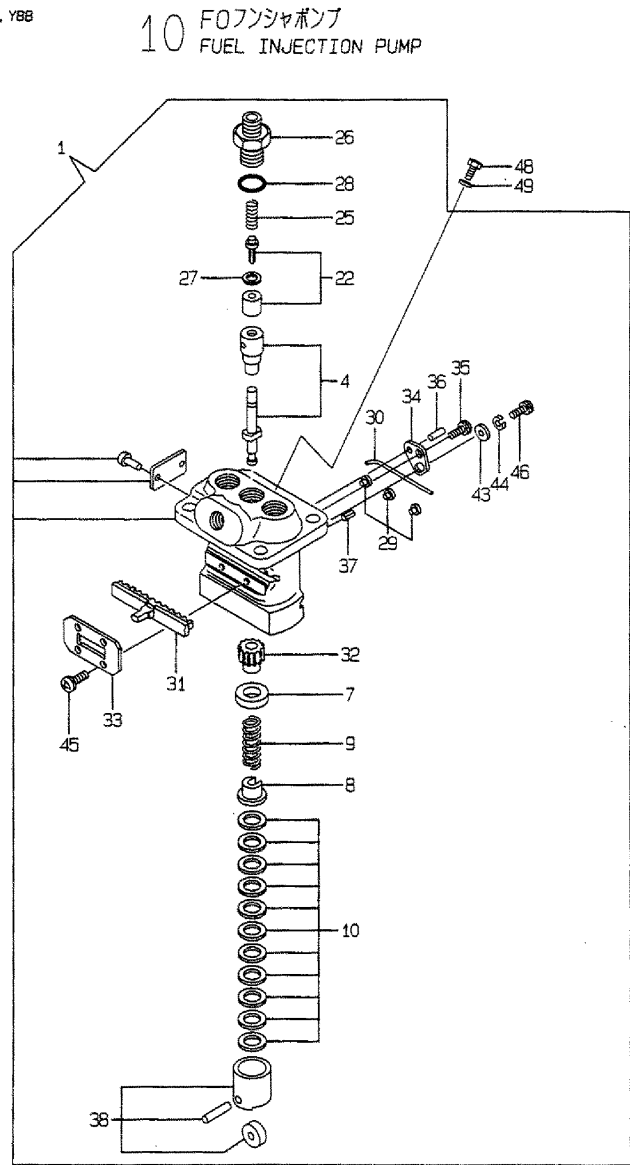
No.	Lev.	Parts No.	Description	Qty						I	R
				(A)	(B)	(C)	(D)	(E)	(F)		
1	1	119244-42001	PUMP ASSY, WATER	1	1	1					
10	2	119225-42320	O-RING	1	1	1					
11	2	23876-030000	PLUG, R03	1	1	1					
13	1	119260-42020	GASKET, WATER PUMP	1							
13-1	1	119260-42021	GASKET, WATER PUMP	1	1	1					N
(A=E60075)											
14	1	26106-080452	BOLT, M8X 45 PLATED	3	3	3					
15	1	119225-42290	V-BELT, FM34.0	1	1	1					
16	1	119620-42350	V-PULLEY	1	1	1					
17	1	121267-44760	SPACER	1	1	1					
18	1	119332-44740	FAN, COOLING D260X5	1	1	1					
19	1	26106-060302	BOLT, M6X 30 PLATED	4	4	4					
20	1	119256-49530	COVER, THERMOSTAT	1	1	1					
21	1	119260-49800	THERMOSTAT, 71	1	1	1					
22	1	24321-000350	O-RING, 1AG35.0	1							
22-1	1	119209-42140	O-RING, G 35	1	1	1					N
(A=E66537)											
23	1	26106-060162	BOLT, M6X 16 PLATED	1	1	1					
24	1	26106-060552	BOLT, M6X 55 PLATED	1	1	1					
25	1	171056-49120	PLUG, DRAIN	1	1	1					
26	1	121250-44901	SWITCH, 110	1	1	1					
27	1	124250-49351	SENSOR	1							
27-1	1	121450-42450	PLUG, M16	1	1	1					S
(A=E60075)											
28	1	124465-44950	GASKET, 16	1							
28-1	1	124465-44950	GASKET, 16	2	2	2					K
(A=E60075)											
29	1	129150-49360	GASKET	1	1	1					
30	1	119325-44510	RADIATOR ASSY	1	1	1					
31	2	119259-44570	CAP, RADIATOR	1	1	1					
32	1	121468-44510	SUB-TANK ASSY	1	1	1					
34	2	121450-44531	CAP	1	1	1					
35	2	121468-44540	PLUG, SUB-TANK	1	1	1					
36	2	124450-44560	RETAINER	1	1	1					
37	2	121470-44581	GASKET	1	1	1					
38	2	23065-070130	PIPE, 7X 130	1	1	1					
39	1	129550-49101	COCK ASSY, 2-WAY	1							Z
(A=E60075)											
40	2	129150-49081	COCK, DRAIN	1							Z
(A=E60075)											

Fig.10. FUEL INJECTION PUMP

(A)=3TNE68-YB  
(B)=3TNE68-EYB  
(C)=3TNE68-YBB

(D)=  
(E)=  
(F)=

Y0006961  
3TNE68-(E)YB, YBB



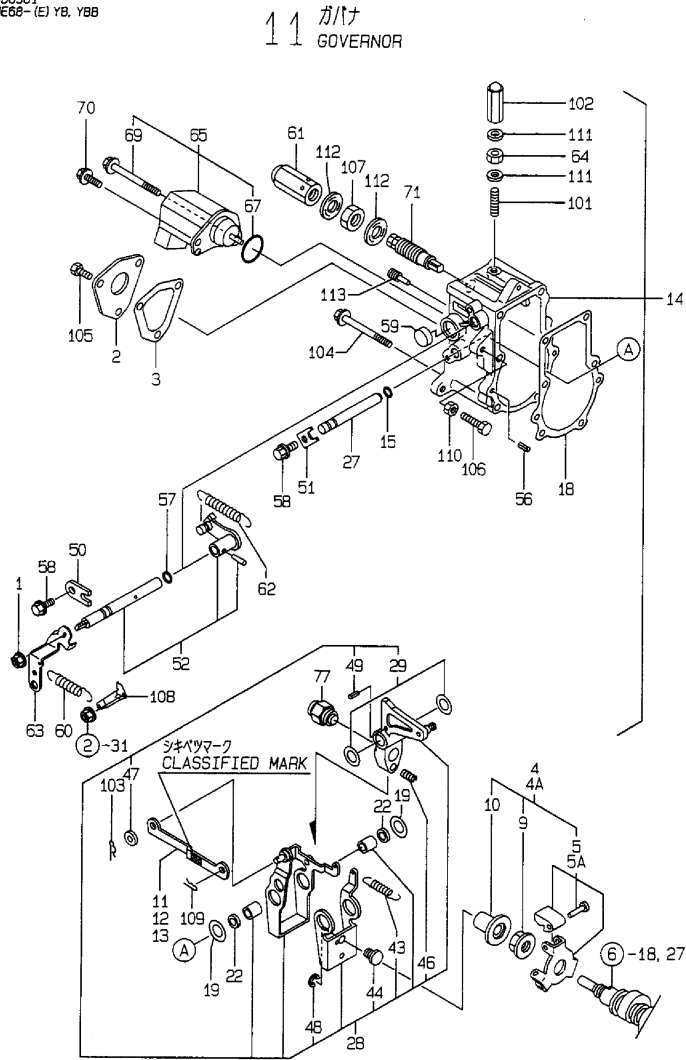
No.	Lev.	Parts No.	Description	Qty						I	R
				(A)	(B)	(C)	(D)	(E)	(F)		
1	1	719225-51100	PUMP ASSY, INJECTION	1							
1-1	1	719266-51100	PUMP ASSY, INJECTION	1	1	1					N
(A=E60075)											
4	2	119225-51100	PLUNGER ASSY	3	3	3					
7	2	119620-51170	RETAINER, SPRING A	3	3	3					
8	2	119620-51180	RETAINER, SPRING B	3	3	3					
9	2	119620-51190	SPRING, PLUNGER	3	3	3					
10	2	119620-51250	SHIM SET	3	3	3					
22	2	119225-51300	VALVE ASSY, DELIVERY	3	3	3					
25	2	105546-51330	SPRING, DELIVERY	3	3	3					
26	2	119620-51340	HOLDER, DELIVERY	3	3	3					
27	2	119620-51350	GASKET	3	3	3					
28	2	119620-51370	O-RING	3	3	3					
29	2	119620-51450	PIECE	3	3	3					
30	2	119620-51461	PIN	1	1	1					
31	2	119660-51500	RACK, CONTROL	1	1	1					
32	2	119620-51510	PINION	3	3	3					
33	2	119660-51530	RETAINER, RACK	1	1	1					
34	2	119620-51650	PLATE	2	2	2					
35	2	119620-51660	SCREW	2	2	2					
36	2	119620-51670	PIN	2	2	2					
37	2	119620-51680	PIN	1	1	1					
38	2	119620-51700	TAPPET ASSY	3	3	3					
43	2	22137-040000	WASHER, 4	2							Z
(A=EXXX)											
44	2	22217-040000	WASHER, SPRING 4	2							Z
(A=EXXX)											
45	2	26022-040082	SCREW, M4X 8	4	4	4					
46	2	26587-040102	SCREW, M4X10	2							
46-1	2	26033-040102	SCREW, M4X10	2	2	2					N
(A=EXXX)											
48	1	119266-51900	BOLT	1	1	1					W
(A=E60075)											
49	1	22190-080002	WASHER, SEAL 6	1	1	1					W
(A=E60075)											

Fig.11. GOVERNOR

(A)=3TNE68-YB  
(B)=3TNE68-EYB  
(C)=3TNE68-YBB

(D)=  
(E)=  
(F)=

Y00D6961  
3TNE68-(E)YB, YBB



No.	Lev.	Parts No.	Description	Q'ty						I	R
				(A)	(B)	(C)	(D)	(E)	(F)		
1	1	194990-22050	NUT, M8	1	1	1					
2	1	119660-61060	COVER, GOVERNOR CASE	1	1	1					
3	1	119660-61071	GASKET	1	1	1					
4	1	119600-61100	DRIVE ASSY	1		1					
4A	1	119600-61300	DRIVE ASSY		1						
5	2	119600-61200	WEIGHT ASSY, GOVERNOR	1		1					
5A	2	119600-61400	WEIGHT ASSY, GOVERNOR		1						
9	2	119660-61300	NUT	1	1	1					
10	2	119660-61341	SLEEVE	1	1	1					
11	1	119660-61121	LINK, NO MARK	1	1	1					1
12	1	119660-61140	LINK, MARK :2	1	1	1					1
13	1	119660-61150	LINK, MARK :3	1	1	1					1
14	1	119632-61200	CASE ASSY, GOVERNOR	1	1	1					
15	2	129155-51280	O-RING, S6	1	1	1					
18	2	119660-61052	GASKET	1	1	1					
19	2	119660-61460	SHIM SET	1	1	1					
22	2	129155-61480	SPACER ASSY	2	2	2					
27	2	119660-61491	SHAFT	1							
27-1	2	119660-61590	SHAFT	1	1	1					N
(A=E60075)											
28	2	119232-61510	LEVER ASSY, GOVERNOR	1	1	1					
29	3	174307-51700	SHIM SET	2	2	2					
43	3	119232-61540	SPRING	1	1	1					
44	3	119600-61541	SHIFTER	1	1	1					
46	3	119660-61651	SPRING, STARTING	1	1	1					
47	3	22117-040000	WASHER, 4	1	1	1					
48	3	22272-000040	RING, E- 4	1	1	1					
49	3	22351-030014	PIN, SPRING 3.0X14	1	1	1					
50	2	119600-61900	RETAINER, SHAFT	1	1	1					
51	2	119660-61901	RETAINER, SHAFT	1	1	1					
52	2	119285-66080	SHAFT ASSY	1	1	1					
56	2	22351-040010	PIN, SPRING 4.0X10	2	2	2					
57	2	24341-000070	O-RING, 1AS7.0	1	1	1					
58	2	26106-060102	BOLT, M6X 10 PLATED	2	2	2					
59	1	119640-61400	PLUG	1	1	1					
60	1	119840-61870	SPRING	1	1	1					
61	1	129100-61930	NUT, CAP	1	1	1					
62	1	119621-66021	SPRING, REGULATOR	1	1	1					
63	1	119621-66051	LEVER, REGULATOR	1	1	1					
64	1	124550-66370	NUT, M6	1	1	1					
65	1	119233-66511	STOPPER ASSY	1	1	1					
67	2	24341-000280	O-RING, 1AS28.0	1	1	1					
69	2	26106-060952	BOLT, M6X 95 PLATED	1	1	1					
70	1	121465-59950	BOLT, M6X16	1	1	1					
71	1	119600-66530	LIMITER ASSY, FUEL	1	1	1					
77	1	119610-66700	ANGLEICH ASSY	1	1	1					
101	1	121575-66830	SCREW	1	1	1					
102	1	119600-66840	NUT, CAP	1	1	1					
103	1	22360-040000	PIN, SNAP 4	1	1	1					
104	1	26106-060702	BOLT, M6X 70 PLATED	5	5	5					
105	1	26116-050102	BOLT, M5X 10 PLATED	3	3	3					

Remarks

(1) SELECTIVE PARTS : CERTAIN THE CLASSIFICATION MARK, THEN PLACE YOUR ORDER.(REF. TO ILLUSTRATION)

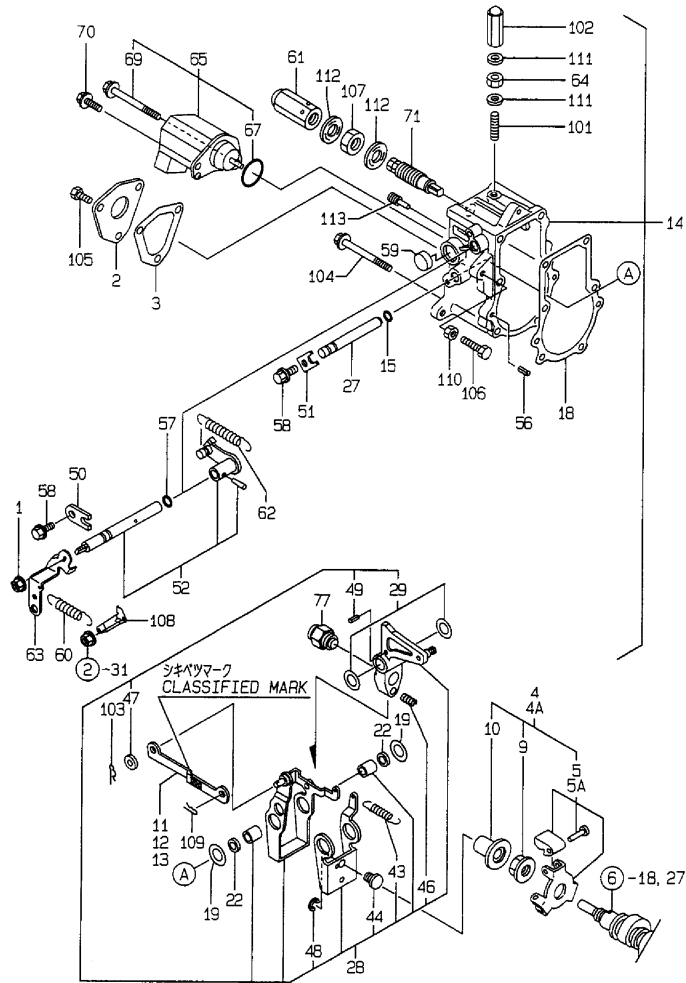
Fig.11. GOVERNOR

(A)=3TNE68-YB  
 (B)=3TNE68-EYB  
 (C)=3TNE68-YBB

(D)=  
 (E)=  
 (F)=

Y0006961  
 3TNE68-(E)YB, YBB

ガバナー  
 GOVERNOR



No.	Lev.	Parts No.	Description	Q'ty						I	R
				(A)	(B)	(C)	(D)	(E)	(F)		
106	1	26116-060304	BOLT, M6X 30 PLATED	1	1	1					
107	1	26776-120002	NUT, LOCK M12	1	1	1					
108	1	119656-66910	HOOK	1	1	1					
109	1	22360-060000	PIN, SNAP 6	1	1	1					
110	1	26756-060002	NUT, LOCK M6	1	1	1					
111	1	22190-060003	SEAL WASER 6	2	2	2					
112	1	22190-120002	WASHER, SEAL 12	2	2	2					
113	1	124250-03640	SCREW	1	1	1					W
(A=EXXX)											

Remarks

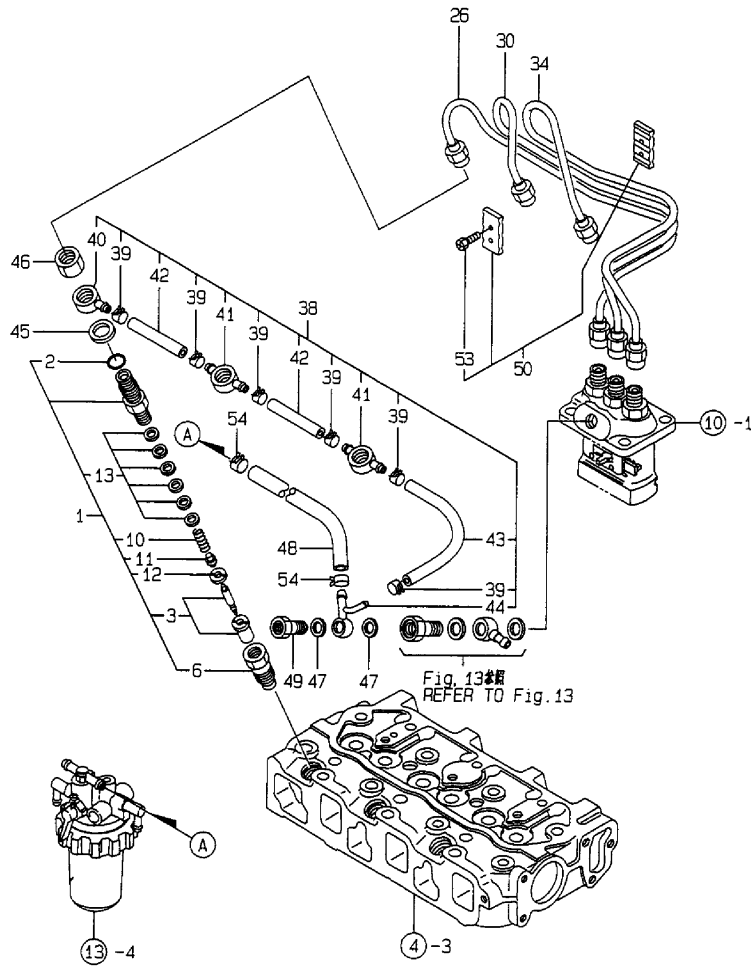
(1) SELECTIVE PARTS : CERTAIN THE CLASSIFICATION MARK, THEN PLACE YOUR ORDER.(REF. TO ILLUSTRATION)



Fig.12. FUEL INJECTION VALVE

Y0005961  
3TNE68-(E) YB, YBB

12 F07シヤパン  
FUEL INJECTION VALVE



(A)=3TNE68-YB  
(B)=3TNE68-EYB  
(C)=3TNE68-YBB

(D)=  
(E)=  
(F)=

No.	Lev.	Parts No.	Description	Q'ty						I	R
				(A)	(B)	(C)	(D)	(E)	(F)		
1	1	719255-53100	VALVE ASSY,INJECTION	3	3	3					
2	2	129155-61830	O-RING, S10	3	3	3					
3	2	119620-53000	VALVE ASSY,INJECTION	3	3	3					
6	2	119620-53080	NUT, NOZZLE	3	3	3					
10	2	119620-53120	SPRING, NOZZLE	3	3	3					
11	2	114250-53130	SEAT, SPRING	3	3	3					
12	2	119620-53140	SPACER, VALVE STOP	3	3	3					
13	2	114250-53400	SHIM SET	3	3	3					
26	1	119209-59810	PIPE ASSY, INJECTION	1	1	1					
30	1	119209-59820	PIPE ASSY, INJECTION	1	1	1					
34	1	119209-59830	PIPE ASSY, INJECTION	1	1	1					
38	1	119642-59540	PIPE ASSY, RETURN	1	1	1					
39	2	124066-59100	CLIP, HOSE 8	6	6	6					
40	2	119260-59520	JOINT	1	1	1					
41	2	119260-59530	JOINT	2	2	2					
42	2	105025-59550	PIPE, FUEL RETURN	2	2	2					
43	2	119642-59550	PIPE, FUEL RETURN	1	1	1					
44	2	119642-59570	JOINT, OVER FLOW	1	1	1					
45	1	22190-140002	WASHER, SEAL 14	3	3	3					
46	1	119620-59700	NUT, NOZZLE	3	3	3					
47	1	22190-080002	WASHER, SEAL 6	2	2	2					
48	1	119225-59560	PIPE, FUEL	1							Z
(A=E60075)											
49	1	124550-59820	BOLT, PIPE JOINT M8	1	1	1					
50	1	129150-59120	RETAINER, PIPE	1	1	1					
53	2	129150-59131	BOLT, M4X14	2	2	2					
54	1	124766-59050	CLIP, HOSE 12	2							Z

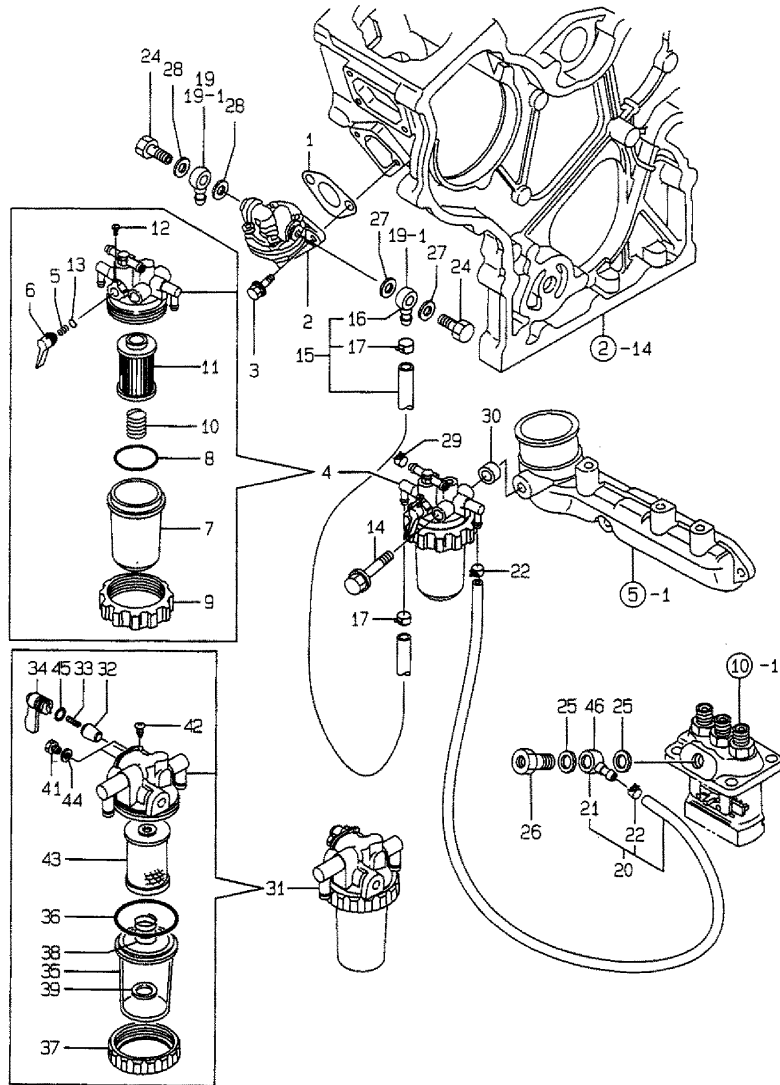
Fig.13. FUEL LINE

(A)=3TNE68-YB  
(B)=3TNE68-EYB  
(C)=3TNE68-YBB

(D)=  
(E)=  
(F)=

Y00D6961  
3TNE68-(E)YB, YBB

13 FUEL LINE



No.	Lev.	Parts No.	Description	Q'ty						I	R
				(A)	(B)	(C)	(D)	(E)	(F)		
1	1	121520-01851	GASKET	1	1	1					
2	1	119600-52021	PUMP ASSY, FUEL FEED	1	1	1					
3	1	26106-060162	BOLT, M6X 16 PLATED	2	2	2					
4	1	119255-55620	FILTER ASSY, FUEL	1	1	1					
5	2	104200-55330	SPRING, VALVE	1	1	1					
6	2	119810-55340	LEVER	1	1	1					
7	2	121254-55510	COVER	1	1	1					
8	2	102103-55520	O-RING	1	1	1					
9	2	110250-55610	RING, RETAINING	1	1	1					
10	2	121250-55620	SPRING	1	1	1					
11	2	124550-55700	FILTER, FUEL L=90	1	1	1					
12	2	104200-55750	SCREW, M4	1	1	1					
13	2	24311-240100	O-RING, 1AP10A	1	1	1					
14	1	26014-080852	BOLT, M8X 85	1							Z
(A=E60075)											
15	1	119230-59020	PIPE ASSY, FUEL	1							Z
(A=E60075)											
16	2	104264-59030	JOINT, PIPE 8	1							Z
(A=E60075)											
17	2	124766-59050	CLIP, HOSE 12	2							Z
(A=E60075)											
19	1	104264-59030	JOINT, PIPE 8	1							
19-1	1	104264-59030	JOINT, PIPE 8	2	2	2					K
(A=E60075)											
20	1	119230-59031	PIPE ASSY, FUEL	1							Z
(A=E60075)											
21	2	101304-59020	JOINT, PIPE 12	1							Z
(A=E60075)											
22	2	124766-59050	CLIP, HOSE 12	2							Z
(A=E60075)											
24	1	105582-59150	BOLT, PIPE JOINT	2	2	2					
25	1	22190-120002	WASHER, SEAL 12	2	2	2					
26	1	119650-59200	BOLT, PIPE JOINT M12	1							
26-1	1	119462-59190	BOLT ASSY, JOINT	1	1	1					S
(A=E60075)											
27	1	22190-080002	WASHER, SEAL 6	2	2	2					
28	1	22190-080002	WASHER, SEAL 6	2	2	2					
29	1	124766-59050	CLIP, HOSE 12	1							Z
(A=E60075)											
30	1	129411-55690	SPACER	1							Z
(A=E60075)											
31	1	129335-55700	SEPARATOR ASSY, WATER	1	1	1					
32	2	104200-55321	VALVE, TAPER	1	1	1					
33	2	104200-55330	SPRING, VALVE	1	1	1					
34	2	104200-55341	HANDLE	1	1	1					
35	2	124064-55510	COVER	1	1	1					
36	2	102103-55520	O-RING	1	1	1					
37	2	110250-55610	RING, RETAINING	1	1	1					
38	2	121257-55720	SPRING	1	1	1					
39	2	121257-55731	FLOAT	1	1	1					
41	2	101720-55750	PLUG, 6	2	2	2					

Fig.13. FUEL LINE

(A)=3TNE68-YB  
(B)=3TNE68-EYB  
(C)=3TNE68-YBB

(D)=  
(E)=  
(F)=

No.	Lev.	Parts No.	Description	Q'ty						I	R
				(A)	(B)	(C)	(D)	(E)	(F)		
42	2	104200-55750	SCREW, M4	1	1	1					
43	2	171081-55910	SCREEN	1	1	1					
44	2	23418-060000	GASKET, 6X1.0	2	2	2					
45	2	24311-240100	O-RING, 1AP10A	1	1	1					
46	1	101304-59020	JOINT, PIPE 12	1	1	1					W

(A=E60075)

Y00D6961  
3TNE68-(E) YB, YBB

13 F0117  
FUEL LINE

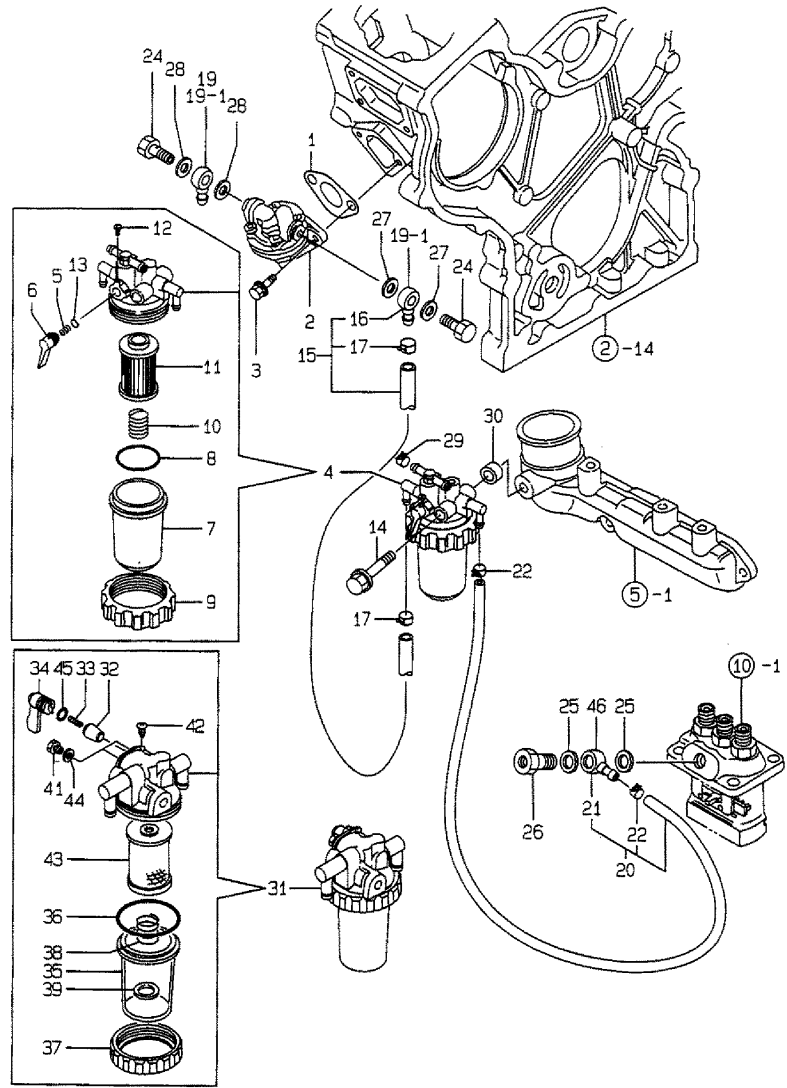


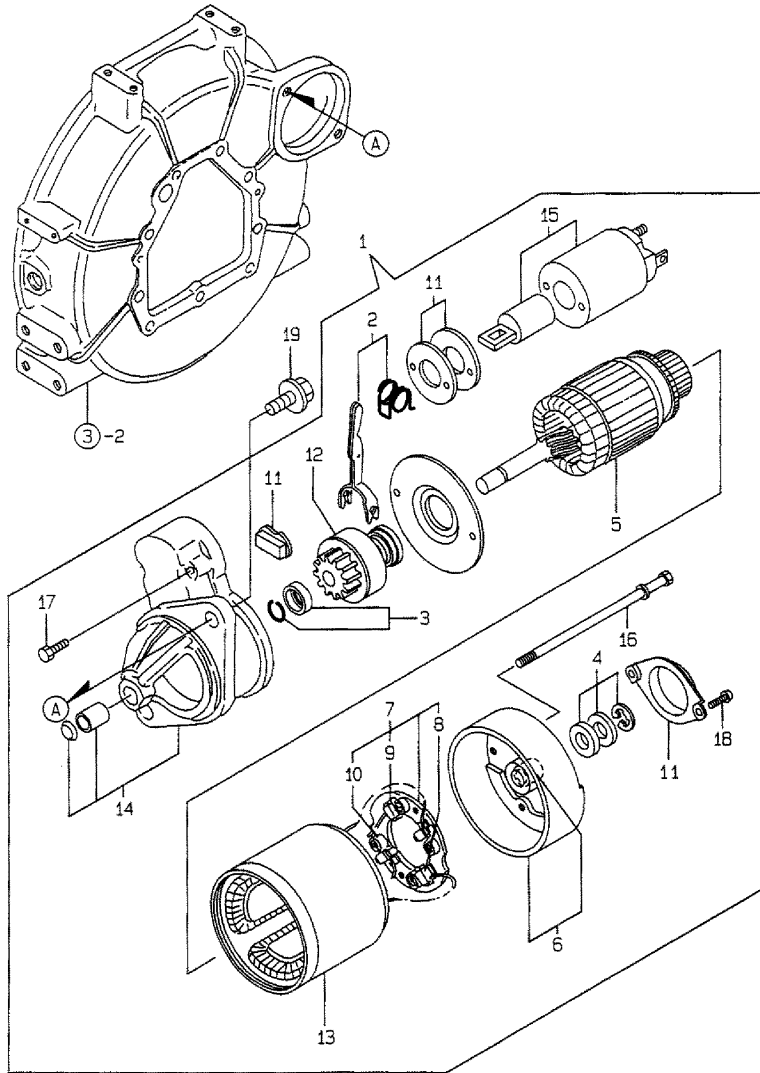
Fig.14. STARTING MOTOR

(A)=3TNE68-YB  
(B)=3TNE68-EYB  
(C)=3TNE68-YBB

(D)=  
(E)=  
(F)=

Y00D6961  
3TNE68-(E)YB, YBB

14 スターティングモータ  
STARTING MOTOR

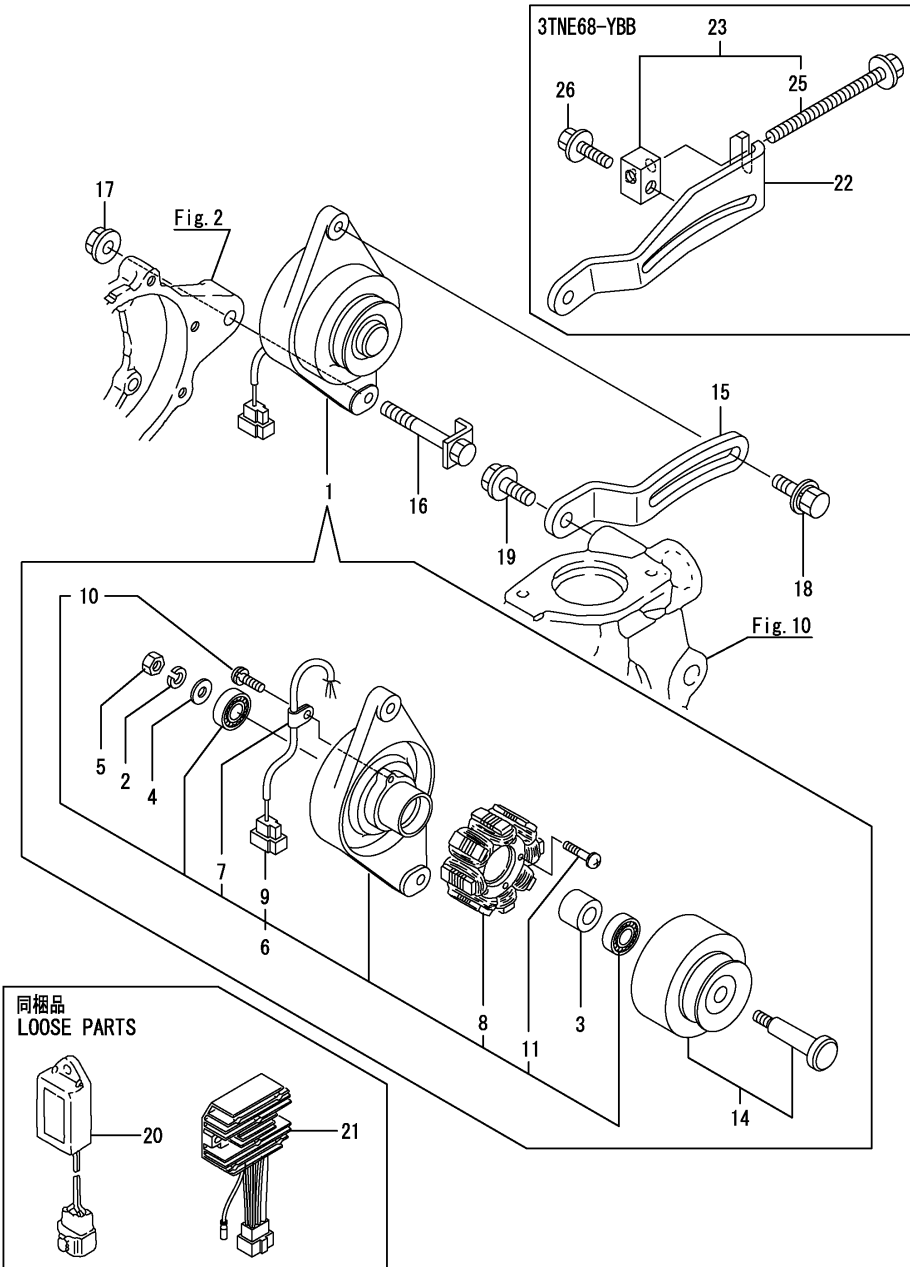


No.	Lev.	Parts No.	Description	Qty						I	R
				(A)	(B)	(C)	(D)	(E)	(F)		
1	1	119226-77010	STARTER,12V-0.8KW	1	1	1					
2	2	X2114560130	LEVER KIT, SHIFT	1	1	1					
3	2	X2114715500	STOPPER SET, PINION	1	1	1					
4	2	X2114811000	WASHER KIT, THRUST	1	1	1					
5	2	114371-77110	ARMATURE	1	1	1					
6	2	114371-77140	COVER ASSY, REAR	1	1	1					
7	2	114371-77160	HOLDER ASSY, BRUSH	1	1	1					
8	3	114371-79040	BRUSH (-)	2	2	2					
9	3	114371-79050	BRUSH (+)	1	1	1					
10	3	114371-79060	SPRING, BRUSH	4	4	4					
11	2	114371-77170	COVER KIT, DUST	1	1	1					
12	2	119226-77650	CLUTCH ASSY	1	1	1					
13	2	124097-77710	YOKE ASSY	1	1	1					
14	2	124097-77760	CASE ASSY, GEAR	1	1	1					
15	2	124195-77760	MAGNETIC SWITCH ASSY	1	1	1					
16	2	124195-77770	THROUGH BOLT	2	2	2					
17	2	114371-79070	BOLT M 6X 37	2	2	2					
18	2	26022-040122	SCREW, M4X12	2	2	2					
19	1	26106-100252	BOLT, M10X 25 PLATED	2	2	2					

Fig.15. GENERATOR

(A)=3TNE68-YB  
(B)=3TNE68-EYB  
(C)=3TNE68-YBB

(D)=  
(E)=  
(F)=



No.	Lev.	Parts No.	Description	Qty						I	R
				(A)	(B)	(C)	(D)	(E)	(F)		
1	1	129150-77202	GENERATOR	1	1	1					
1-1	1	129150-77203	DINAMO ASSY	1	1	1					N
		(A=EXXXXX) (B=ED5868) (C=EXXXXX)									
2	2	XM219230000	WASHER, SPRING	1	1	1					
3	2	XM329830000	COLLAR	1	1	1					
4	2	XM860250000	WASHER, 10	1	1	1					
5	2	XM863720000	NUT	1	1	1					
6	2	129150-77210	PLATE ASSY	1	1	1					
7	3	XM069000000	CLAMP	1	1	1					
8	3	XM081780000	STATOR	1	1	1					
9	3	XM178780000	COUPLER	1	1	1					
10	3	XYSPS400800	SCREW	1	1	1					
11	3	XYSPS402400	SCREW	2	2	2					
14	2	129150-77230	FLYWHEEL ASSY	1	1	1					
14-1	2	129150-77280	FLYWHEEL ASSY	1	1	1					N
		(A=EXXXXX) (B=ED5868) (C=EXXXXX)									
15	1	119325-77310	ADJUSTER	1							
15-1	1	119325-77311	ADJUSTER	1	1						N
		(A=E60075)									
16	1	119233-77251	BOLT	1	1	1					
17	1	26366-080002	NUT, M8	1	1	1					
18	1	26014-080252	BOLT, M8X 25	1	1						
19	1	26106-080202	BOLT, M8X 20 PLATED	1	1	1					
20	1	129211-77920	TIMER	1	1	1					
21	1	119653-77710	CURRENT LIMITER	1	1	1					
22	1	119253-77340	ADJUSTER								1
23	1	129616-77350	BLOCK ASSY, ADJUSTER								1
25	2	26106-081004	BOLT, M8X100 PLATED								1
26	1	26014-080452	BOLT, M8X 45								1

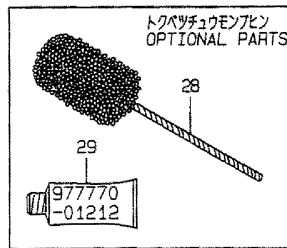
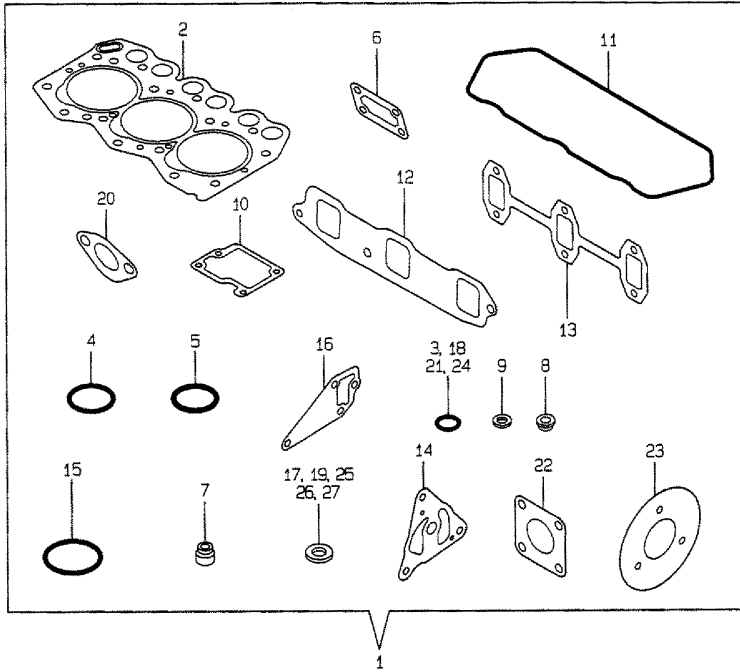
Fig.16. GASKET SET

(A)=3TNE68-YB  
(B)=3TNE68-EYB  
(C)=3TNE68-YBB

(D)=  
(E)=  
(F)=

Y0006961  
3TNE68-(E)YB, YBB

16 パッキンセット  
GASKET SET



No.	Lev.	Parts No.	Description	Q'ty						I	R
				(A)	(B)	(C)	(D)	(E)	(F)		
1	1	719265-92710	GASKET SET	1							1
1-1	1	719265-92760	GASKET SET	1	1	1					N 1
(A=E66537)											
2	2	119265-01341	GASKET, HEAD	1	1	1					
3	2	24311-000120	O-RING, 1AP12.0	2	2	2					
4	2	24311-000320	O-RING, 1AP32.0	2	2	2					
5	2	24341-000240	O-RING, 1AS24.0	1	1	1					
6	2	119660-01562	GASKET	1	1	1					
7	2	119260-11340	SEAL, VALVE STEM	6	6	6					
8	2	119600-11450	PROTECTOR, NOZZLE	3	3	3					
9	2	119600-11460	GASKET, NOZZLE	6	6	6					
10	2	119260-03031	GASKET	1	1	1					
11	2	119260-11310	GASKET, BONNET	1	1	1					
12	2	119270-12110	GASKET, MANIFOLD	1	1	1					
13	2	119260-13110	GASKET	1	1	1					
14	2	119660-32020	GASKET, PUMP	1	1	1					
15	2	24321-000350	O-RING, 1AG35.0	1							
15-1	2	119209-42140	O-RING, G 35	1	1	1					N
(A=E66537)											
16	2	119260-42020	GASKET, WATER PUMP	1							
16-1	2	119260-42021	GASKET, WATER PUMP	1	1	1					N
(A=E60075)											
17	2	124465-44950	GASKET, 16	1							
17-1	2	124465-44950	GASKET, 16	2	2	2					K
(A=E60075)											
18	2	129155-61830	O-RING, S10	3	3	3					
19	2	22190-140002	WASHER, SEAL 14	3	3	3					
20	2	121520-01851	GASKET	1	1	1					
21	2	119624-32040	O-RING, P12.0	1	1	1					
22	2	124701-11911	GASKET, SILENCER	1	1	1					
23	2	103954-13201	GASKET, SILENCER	1	1	1					
24	2	119209-35030	O-RING, P11	1	1	1					
25	2	22190-080002	WASHER, SEAL 6	6	6	6					
26	2	22190-120002	WASHER, SEAL 12	2	2	2					
27	2	129150-49360	GASKET	1	1	1					
28	1	129400-92400	FLEX HORN	1	1	1					1
29	1	977770-01212	GASKET, LIQUID	1	1	1					1

Remarks  
(1) OPTIONAL PART.

## Parts No. Index

Parts No.	Fig. No.	Ref. No.
101304-59020	13	21
		46
101720-55750	13	41
102103-55520	13	8
		36
103954-13201	5	12
	16	23
104200-55321	13	32
104200-55330	13	5
		33
104200-55341	13	34
104200-55750	13	12
		42
104264-59030	13	16
		19
		19 -1
105010-11230	4	31
		35
105025-59550	12	42
105546-51330	10	25
105582-59150	13	24
110250-55610	13	9
		37
114250-11120	4	15
114250-11180	4	16
114250-39450	8	28 -1
114250-53130	12	11
114250-53400	12	13
114371-77110	14	5
114371-77140	14	6
114371-77160	14	7
114371-77170	14	11
114371-79040	14	8
114371-79050	14	9
114371-79060	14	10
114371-79070	14	17
118400-03060	4	51
119131-18320	5	9
119209-35030	8	26
	16	24
119209-42140	9	22 -1
	16	15 -1
119209-59810	12	26
119209-59820	12	30
119209-59830	12	34
119225-07910	4	59
119225-14200	6	18
119225-14210	6	27
119225-35300	8	16
119225-42290	9	15

Parts No.	Fig. No.	Ref. No.
119225-42320	9	10
119225-51100	10	4
119225-51300	10	22
119225-59560	12	48
119226-77010	14	1
119226-77650	14	12
119230-59020	13	15
119230-59031	13	20
119232-61510	11	28
119232-61540	11	43
119233-13100	5	5
119233-66511	11	65
119233-77251	15	16
119244-42001	9	1
119253-21590	7	12
119253-21650	7	8
119253-77340	15	22
119255-55620	13	4
119256-49530	9	20
119259-44570	9	31
119260-01490	2	14
119260-01510	2	17
119260-01590	2	1
119260-01600	3	2
119260-01770	3	13
119260-02020	1	6
119260-02800	1	17
119260-02930	1	20
119260-03020	4	46
119260-03031	4	47
	16	10
119260-11100	4	13
119260-11110	4	14
119260-11200	4	23
119260-11240	4	24
119260-11260	4	27
119260-11270	4	28
119260-11280	4	29
119260-11310	4	50
	16	11
119260-11330	4	44
119260-11331	4	44 -1
119260-11340	4	19
	16	7
119260-11370	4	20
119260-11800	4	7
119260-13110	5	6
	16	13
119260-14100	6	7
119260-14200	6	1

Parts No.	Fig. No.	Ref. No.
119260-14400	6	2
119260-14580	6	3
119260-21200	7	5
119260-23910	7	30
119260-25100	6	11
119260-32000	8	1
119260-35081	8	25
119260-42020	9	13
	16	16
119260-42021	9	13 -1
	16	16 -1
119260-49800	9	21
119260-59520	12	40
119260-59530	12	41
119265-01250	1	12 -1
119265-01341	1	24
	16	2
119265-11260	4	39
119265-11710	4	3
119265-21700	7	1
119265-22080	7	16
119265-22300	7	24
119265-22500	7	18
119265-22940	7	36
119265-22950	7	38
119265-23100	7	26
119265-23200	7	31
119265-34820	8	14
119266-01200	1	23
119266-02410	1	16
119266-51900	10	48
119270-12100	5	1
119270-12110	5	2
	16	12
119275-12101	5	1 -1
119285-66080	11	52
119305-35150	8	15
119325-44510	9	30
119325-77310	15	15
119325-77311	15	15 -1
119332-44740	9	18
119454-01721	3	11
119462-59190	13	26 -1
119600-11450	4	21
	16	8
119600-11460	4	22
	16	9
119600-52021	13	2
119600-61100	11	4
119600-61200	11	5

Parts No.	Fig. No.	Ref. No.
119600-61300	11	4 A
119600-61400	11	5 A
119600-61541	11	44
119600-61900	11	50
119600-66530	11	71
119600-66840	11	102
119610-66700	11	77
119620-01620	3	6
119620-01750	3	4
119620-01800	2	4
119620-02450	6	4
119620-11350	4	40
119620-21500	7	11
119620-21941	7	10
119620-25912	6	13
119620-42350	9	16
119620-51170	10	7
119620-51180	10	8
119620-51190	10	9
119620-51250	10	10
119620-51340	10	26
119620-51350	10	27
119620-51370	10	28
119620-51450	10	29
119620-51461	10	30
119620-51510	10	32
119620-51650	10	34
119620-51660	10	35
119620-51670	10	36
119620-51680	10	37
119620-51700	10	38
119620-53000	12	3
119620-53080	12	6
119620-53120	12	10
119620-53140	12	12
119620-59700	12	46
119620-77820	4	56
119621-21680	7	9
119621-66021	11	62
119621-66051	11	63
119623-01950	2	23
119624-32040	2	6
	16	21
119632-07900	4	1
119632-61200	11	14
119640-61400	11	59
119642-59540	12	38
119642-59550	12	43
119642-59570	12	44
119650-59200	13	26

## Parts No. Index

Parts No.	Fig. No.	Ref. No.
119653-77710	15	21
119656-66910	11	108
119660-01551	2	20
119660-01562	2	21
	16	6
119660-01570	2	22
119660-01640	3	7
119660-01821	6	17
119660-01911	2	5
119660-25022	6	9
119660-25052	6	10
119660-25920	6	31
119660-25930	6	32
119660-32020	8	11
	16	14
119660-51500	10	31
119660-51530	10	33
119660-61052	11	18
119660-61060	11	2
119660-61071	11	3
119660-61121	11	11
119660-61140	11	12
119660-61150	11	13
119660-61300	11	9
119660-61341	11	10
119660-61460	11	19
119660-61491	11	27
119660-61590	11	27 -1
119660-61651	11	46
119660-61901	11	51
119810-55340	13	6
119840-61870	11	60
121023-01550	2	32
121120-01620	3	3
121250-44901	9	26
121250-55620	13	10
121254-55510	13	7
121257-55720	13	38
121257-55731	13	39
121267-44760	9	17
121400-01640	3	14
121450-01560	2	18
121450-42450	9	27 -1
121450-44531	9	34
121465-59950	11	70
121468-44510	9	32
121468-44540	9	35
121470-44581	9	37
121520-01851	13	1
	16	20

Parts No.	Fig. No.	Ref. No.
121520-34810	8	13
121575-66830	11	101
124060-01050	1	5
124064-55510	13	35
124066-59100	12	39
124085-02220	3	9
124097-77710	14	13
124097-77760	14	14
124160-01751	2	12
	4	67
124160-11360	4	43
124160-39450	8	28
124195-77760	14	15
124195-77770	14	16
124250-03640	11	113
124250-49351	9	27
124450-44560	9	36
124465-44950	9	28
		28 -1
	16	17
		17 -1
124550-55700	13	11
124550-59820	12	49
124550-66370	11	64
124701-11911	5	11
	16	22
124766-59050	12	54
	13	17
		22
		29
124950-21600	7	15
129100-01580	3	1
	7	2
129100-61930	11	61
129150-35350	8	24
129150-49081	9	40
129150-49360	9	29
	16	27
129150-59120	12	50
129150-59131	12	53
129150-77202	15	1
129150-77203	15	1 -1
129150-77210	15	6
129150-77230	15	14
129150-77280	15	14 -1
129155-51280	11	15
129155-61480	11	22
129155-61830	12	2
	16	18
129211-77920	15	20

Parts No.	Fig. No.	Ref. No.
129335-55700	13	31
129400-92400	16	28
129411-55690	13	30
129550-49101	9	39
129616-77350	15	23
129795-77800	4	55
171056-49120	9	25
171081-55910	13	43
174307-51700	11	29
194990-22050	2	30
	11	1
22117-040000	11	47
22137-040000	10	43
22190-060003	11	111
22190-080002	10	49
	12	47
	13	27
		28
	16	25
22190-120002	11	112
	13	25
	16	26
22190-140002	12	45
	16	19
22217-040000	10	44
22242-000100	4	38
22242-000200	6	15
22252-000200	7	25
22272-000040	11	48
22351-030010	7	42
22351-030014	11	49
22351-040010	2	19
	11	56
22351-060012	4	57
22360-040000	11	103
22360-060000	11	109
22512-040120	6	8
		22
		33
	7	6
22857-500100	4	53
23065-070130	9	38
23065-120800	4	58
23418-060000	13	44
23876-030000	4	10
	9	11
24101-062034	6	24
24102-063034	6	23
		34
24311-000120	4	54

Parts No.	Fig. No.	Ref. No.
24311-000120	16	3
24311-000180	3	16
24311-000320	2	13
	4	68
	16	4
24311-240100	13	13
		45
24321-000350	9	22
	16	15
24341-000070	11	57
24341-000240	2	33
	16	5
24341-000280	11	67
26014-080252	15	18
26014-080452	15	26
26014-080852	13	14
26022-040082	10	45
26022-040122	14	18
26033-040102	10	46 -1
26106-060102	3	17
	11	58
26106-060122	1	25
	4	2
	6	16
	8	27
26106-060162	2	7
		34
	5	3
	6	25
	9	23
	13	3
26106-060222	3	10
26106-060282	5	4
26106-060302	2	8
	9	19
26106-060402	2	9
	5	7
26106-060452	3	18
26106-060502	2	10
26106-060552	9	24
26106-060652	2	11
26106-060702	11	104
26106-060952	11	69
26106-080142	4	60
26106-080202	15	19
26106-080452	4	41
	9	14
26106-081004	15	25
26106-100252	14	19
26116-050102	11	105



# Parts No. Index

Parts No.	Fig. No.	Ref. No.
26116-060304	11	106
26206-100252	3	5
26216-060402	5	8
26366-060002	2	31
	5	10
26366-080002	4	42
	15	17
26450-060202	8	12
26587-040102	10	46
26587-080102	6	26
26756-060002	4	33
		37
	11	110
26776-120002	11	107
27221-050080	4	11
27221-060100	1	11
27231-400000	1	12
27241-100000	1	13
27241-250000	1	14
27241-300000	1	15
27241-350000	4	12
714250-11570	4	17
719225-51100	10	1
719255-53100	12	1
719260-02870	1	26
719260-11650	4	30
719260-11660	4	34
719260-23600	7	32
719260-23610	7	34
719265-01560	1	1
719265-92710	16	1
719265-92760	16	1 -1
719266-51100	10	1 -1
977770-01212	2	35
	3	19
	16	29
X2114560130	14	2
X2114715500	14	3
X2114811000	14	4
XM069000000	15	7
XM081780000	15	8
XM178780000	15	9
XM219230000	15	2
XM329830000	15	3
XM860250000	15	4
XM863720000	15	5
XYSPS400800	15	10
XYSPS402400	15	11

Parts No.	Fig. No.	Ref. No.
-----------	----------	----------

Parts No.	Fig. No.	Ref. No.
-----------	----------	----------

Parts No.	Fig. No.	Ref. No.
-----------	----------	----------