

OCD10-M69402EN

PREFACE

1.This parts catalog is the Third edition of 3TNE82A-TB, ETB, ETBZ for Takeuchi Mfg. Co., Ltd.

2. Parts catalog history

	Parts catalog No,	Date of issue	Remarks
1st. edition	000Y00D6940	May.1999	Abolish old edition
2nd. edition	000Y00D6941	May.2000	Abolish old edition
3rd. edition	000Y00D6942	February.2001	

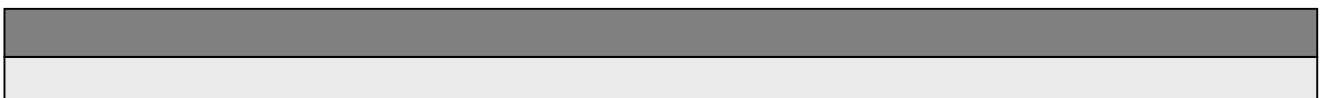
3.This parts catalog dose not contain the technical data needed for maintenance service

4.The illustrations used in this parts catalog have been simplified for clarity.

5. Model name

Engine model	Vehicle		Vehicle made by
	Products	Model name	
3TNE82A-TB	EXCAVATOR	TB025 (A5C)	Takeuchi Mfg. Co., Ltd.
3TNE82A-ETB		A5C	
3TNE82A-ETBZ		F5B	

6.The contents of this parts catalog are subject to change without prior notice.



Directions for the Parts Catalog.

1. This Parts Catalog shows both standard and optional parts.
2. Parts may change without prior notice.
3. The following is an example of the Parts Catalog format.

REF.	LEV.	PARTS NO.	DESCRIPTION	Q'TY						I	R
				(A)	(B)	(C)	(D)	(E)	(F)		
1	1	729595-51390	FUEL INJECTION PUMP	1	1	1	1	1			1
1-1	1	729595-51391	FUEL INJECTION PUMP	1	1	1	1	1		N	1
		(A=E00185) (B=E00200)									
3	2	26022-060162	SCREW M 6X 16	9	9	9	9	9			
3-1	2	26022-060162	SCREW M 6X 16	4	4	4	4	4		K	
		(A=E00156) (B=E00156) (C=E00156) (D=E00156) (E=E00156)									
4	2	129470-51040	CAMSHAFT	1	1	1	1	1			
5	2	122710-51050	BEARING, ROLLER	2	2	2	2	2			
6	2	129470-51060	RETAINER	1	1	1	1	1			

Remarks
(1) BOOST COMPEMSATOR TYPE. OPTIONAL PART, TO E00155,(4JH-DT, 4JH-DTZ

① Ref. No.

The Ref. No. listed may not be in accordance with the illustration Ref. No.

(Ex.) Illustration No.

List Ref No.

1

1

(Before change)

1-1

(After change)

For interchangeable symbols N, R and K, illustrations for new parts may be abbreviated.

② Lev. (Level)

Level indication

The numbers below indicate the level of relativity towards the main part.

1 ----- Main parts (Assembly parts)

2 ----- Sub component included in " 1 ".

3 ----- Sub component included in " 2 ".

Note) Parts that are not for sale are partially illustrated but not listed.

③ Interchangeability Symbol

When a part change takes place, one of the following interchangeability symbols is indicated beside the part.

Symbol	Interchangeability	Contents note
N	Old $\begin{matrix} \leftarrow \text{Yes} \\ \text{No} \rightarrow \end{matrix}$ New	New Part is interchangeable for Old Part but Old Part is not interchangeable for New Part.
Q	Old $\begin{matrix} \leftarrow \text{No} \\ \text{Yes} \rightarrow \end{matrix}$ New	New Part is not interchangeable for Old Part but Old Part is interchangeable for New Part.
R	Old $\begin{matrix} \leftarrow \text{Yes} \\ \text{Yes} \rightarrow \end{matrix}$ New	New/ Old Parts are both interchangeable.
S	Old $\begin{matrix} \leftarrow \text{No} \\ \text{No} \rightarrow \end{matrix}$ New	New/ Old Parts are both not interchangeable.
W		Part newly added.
Z		Part discontinued.
F		Not interchangeable by a single part but interchangeable together with related parts.
K		Changes only for used parts quantities.

④ Effective Machine No.

When a part changes, the effective Machine No. will be indicated in the (A)-(F) column.

Product Symbol	Product No.	Product Symbol	Product No.
C	Clutch No. Compressor No.	F	Machine No. (Agricultural Equip.)
D	Drive No.	M	Machine No.
E	Engine No.		

Note 1) A date may follow the symbol. (Ex.) 1996.01

Note 2) "XXXXX" and "ZZZZZ" are for parts that could not be predicted or for engine models that could not be identified.

Note 3) (A=E00185) is the E (Engine Serial Number) for the column (A) model (in this case 4JH-DT) after the parts design change.

⑤ Remarks

Figures or alphabets (symbols) are entered in the remarks column.

The comments (remarks) on parts that are indicated at the bottom of the illustration are the same symbols as those stated above.

Contents

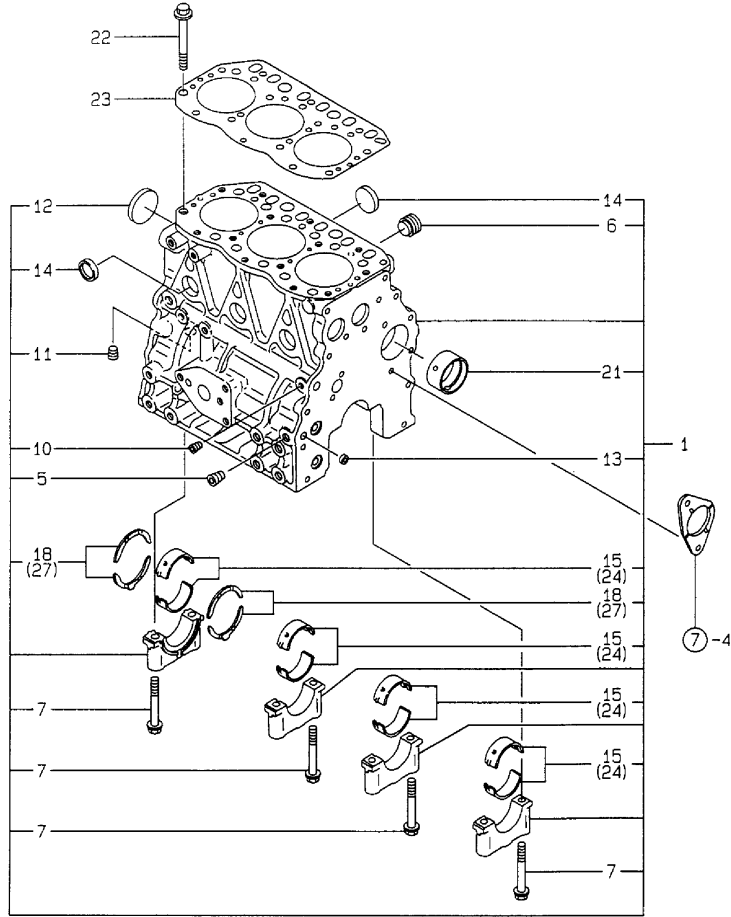
Fig. No. Fig. Name

3TNE82A-(E)TB(Z)

1. CYLINDER BLOCK
2. GEAR HOUSING
3. FLYWHEEL HOUSING & OIL SUMP
4. CYLINDER HEAD & BONNET
5. SUCTION MANIFOLD & AIR CLEANER
6. EXHAUST MANIFOLD & SILENCER
7. CAMSHAFT & DRIVING GEAR
8. CRANKSHAFT & PISTON
9. LUB.OIL SYSTEM
10. COOLING WATER SYSTEM
11. FUEL INJECTION PUMP
12. GOVERNOR
13. FUEL INJECTION VALVE
14. FUEL LINE
15. STARTING MOTOR
16. GENERATOR
17. GASKET SET

Fig. No. Fig. Name

Fig.1. CYLINDER BLOCK



(A)=3TNE82A-TB
 (B)=3TNE82A-ETB
 (C)=3TNE82A-ETBZ

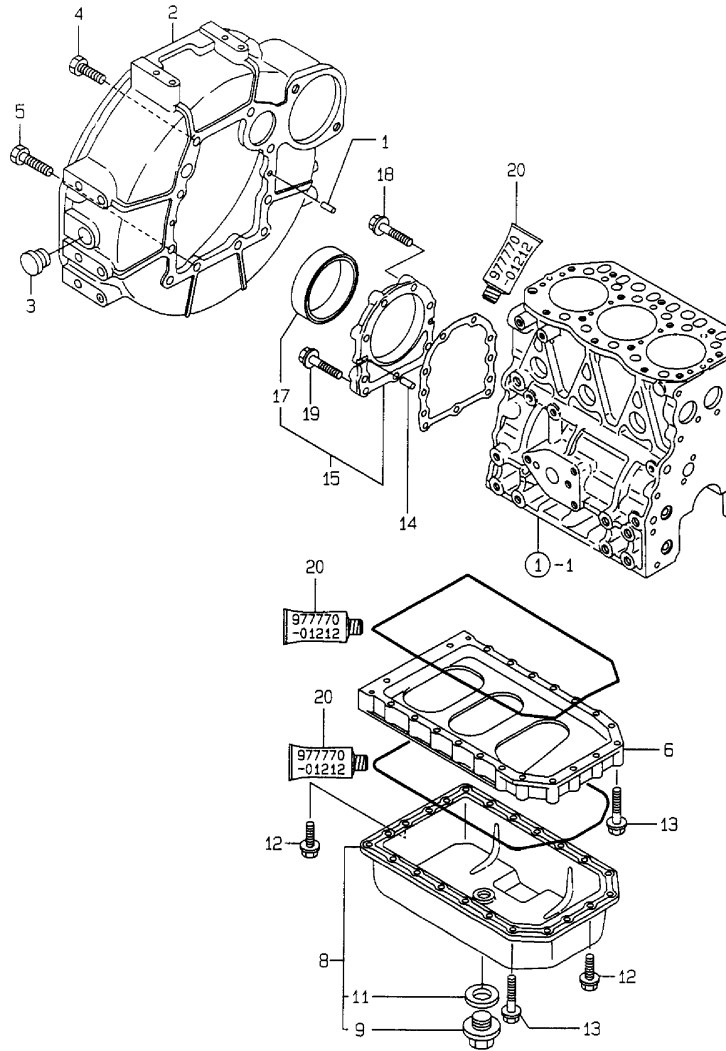
(D)=
 (E)=
 (F)=

No.	Lev.	Parts No.	Description	Qty						I	R
				(A)	(B)	(C)	(D)	(E)	(F)		
1	1	719813-01560	BLOCK ASSY, CYLINDER	1	1	1					
5	2	124160-01910	PLUG, PT1/4	2	2	2					
6	2	171051-01921	PLUG, NPTF1	1	1	1					
7	2	119620-02020	BOLT, METAL CAP	8	8	8					
10	2	23871-010000	PLUG, R01	1							
10-1	2	23876-010000	PLUG, R01	1	1	1					N
(A=EXXX)											
11	2	124160-01910	PLUG, PT1/4	1	1	1					
12	2	27231-500000	PLUG 50	1							
12-1	2	129001-01250	PLUG, 50	1	1	1					N
(A=EXXX)											
13	2	27241-120000	PLUG, 12	2	2	2					
14	2	27241-300000	PLUG 30	6	6	6					
15	2	119810-02800	BEARING, MAIN	4	4	4					
18	2	119810-02930	BEARING, THRUST	1	1	1					
21	2	129795-02411	BUSH, CAMSHAFT	1	1	1					
22	1	119810-01200	BOLT, HEAD	14	14	14					
23	1	119812-01330	GASKET, HEAD	1	1	1					
24	1	119810-02870	BEARING, 0.25 US	4	4	4					1
27	1	119810-02940	BEARING, THRUST 0.25	2	2	2					2

Remarks

- (1) UNDER-SIZE(U.S=0.25)PART.
- (2) OVER-SIZE(O.S=0.25)PART.

Fig.3. FLYWHEEL HOUSING & OIL SUMP



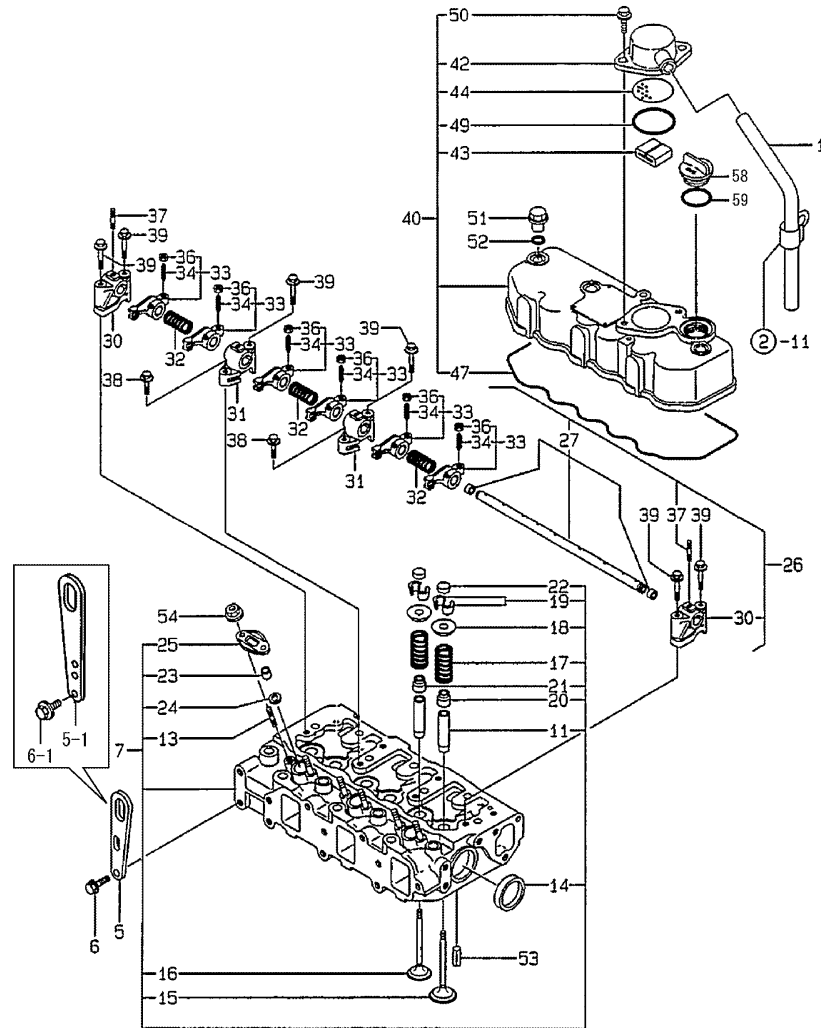
(A)=3TNE82A-TB
 (B)=3TNE82A-ETB
 (C)=3TNE82A-ETBZ

(D)=
 (E)=
 (F)=

No.	Lev.	Parts No.	Description	Qty						I	R
				(A)	(B)	(C)	(D)	(E)	(F)		
1	1	129100-01580	PIN, M8X16	2	2	2					
2	1	129612-01600	HOUSING, FLYWHEEL	1	1	1					
3	1	119620-01750	CAP	1	1	1					
4	1	26206-100252	BOLT, M10X 25 PLATED	6	6	6					
5	1	26206-100302	BOLT, M10X 30 PLATED	4	4	4					
6	1	119810-01730	SPACER, OIL SUMP	1	1	1					
8	1	119810-01790	SUMP ASSY, OIL	1	1	1					
9	2	119640-01640	PLUG, DRAIN M22	1	1	1					
11	2	22190-220002	WASHER, SEAL 22	1	1	1					
12	1	26106-080162	BOLT, M8X 16 PLATED	6	6	6					
13	1	26106-080452	BOLT, M8X 45 PLATED	22	22	22					
14	1	129100-01580	PIN, M8X16	2	2	2					
15	1	719810-01650	CASE ASSY, OIL SEAL	1	1	1					
17	2	119810-01780	SEAL, 769310	1	1	1					
18	1	129486-01670	BOLT, M8X30	6	6	6					
19	1	26106-080352	BOLT, M8X 35 PLATED	3	3	3					
20	1	977770-01212	GASKET, LIQUID	1	1	1					1

Remarks
 (1) OPTIONAL PART.

Fig.4. CYLINDER HEAD & BONNET



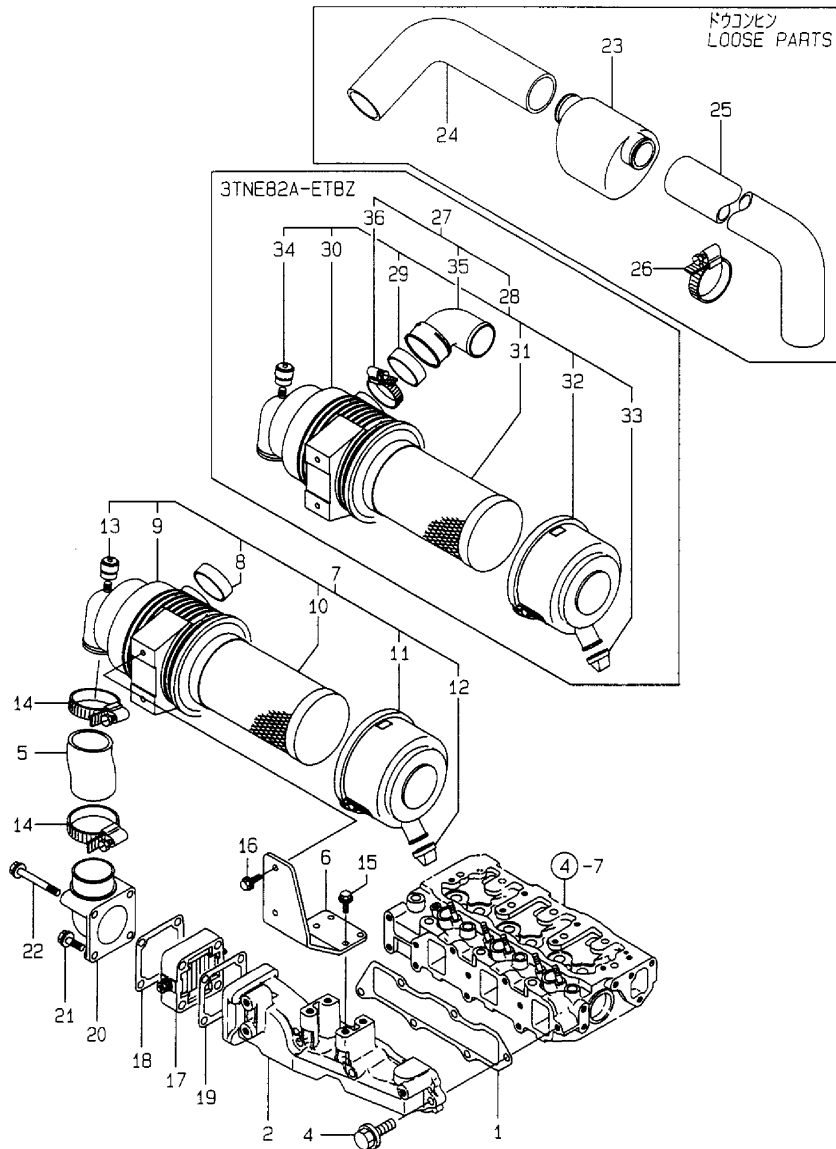
(A)=3TNE82A-TB
(B)=3TNE82A-ETB
(C)=3TNE82A-ETBZ

(D)=
(E)=
(F)=

No.	Lev.	Parts No.	Description	Q'ty						I	R
				(A)	(B)	(C)	(D)	(E)	(F)		
1	1	23065-160800	PIPE, 16X 800	1	1	1					
5	1	124736-07900	LIFTER	1	1	1					
5-1	1	129900-07900	LIFTER			1					N
6	1	26106-080142	BOLT, M8X 14 PLATED (C=*2009.11)	2	2	2					
6-1	1	26106-080162	BOLT, M8X 16 PLATED (C=*2009.11)			2					N
7	1	119812-11700	HEAD ASSY, CYLINDER	1	1	1					
11	2	124060-11800	GUIDE, VALVE	6	6	6					1
13	2	26216-060302	STUD, M6X 30	6	6	6					
14	2	27241-400000	PLUG, 40	2	2	2					
15	2	119810-11100	VALVE, INTAKE	3	3	3					
16	2	119810-11110	VALVE, EXHAUST	3	3	3					
17	2	119810-11120	SPRING, VALVE	6	6	6					
18	2	104211-11180	RETAINER, SPRING	6	6	6					
19	2	27310-070001	COTTER, 7	6	6	6					
20	2	124160-11340	SEAL, VALVE STEM	3	3	3					
21	2	124950-11340	SEAL, VALVE STEM	3	3	3					
22	2	104211-11370	CAP, VALVE	6	6	6					
23	2	119625-11870	PROTECTOR, NOZZLE	3	3	3					
24	2	119625-11880	SEAT, NOZZLE	3	3	3					
25	2	119625-11900	RETAINER, NOZZLE	3	3	3					
26	1	119865-11210	SUPPORT ASSY	1	1	1					
27	2	119810-11240	SHAFT ASSY, ROCKER	1	1	1					
30	2	129155-11260	SUPPORT, ROCKER ARM	2	2	2					
31	2	129155-11270	SUPPORT, ROCKER ARM	2	2	2					
32	2	129150-11280	SPRING	3	3	3					
33	2	719810-11660	ARM ASSY, ROCKER	6	6	6					
34	3	129150-11230	SCREW, VALVE ADJUST	6	6	6					
36	3	129150-11750	NUT, M8	6	6	6					
37	2	26226-080182	STUD, M8X 18	3	3	3					
38	1	26106-080252	BOLT, M8X 25 PLATED	2	2	2					
39	1	26106-080502	BOLT, M8X 50 PLATED	6	6	6					
40	1	719810-11520	BONNET ASSY, HEAD	1							
40-1	1	719810-11521	BONNET ASSY, HEAD (A=E54542)	1	1	1					N
42	2	129150-03020	COVER, BREATHER	1	1	1					
43	2	129150-03070	BAFFLE, BREATHER	1	1	1					
44	2	129150-03080	PLATE, BAFFLE	1	1	1					
47	2	119865-11310	GASKET, BONNET	1	1	1					
49	2	24341-000500	O-RING, 1AS50.0	1	1	1					
50	2	26106-080162	BOLT, M8X 16 PLATED	2	2	2					
51	1	124160-11360	KNOB	3	3	3					
52	1	24311-000120	O-RING, 1AP12.0	3	3	3					
53	1	22351-060012	PIN, SPRING 6.0X12	2	2	2					
54	1	26366-060002	NUT, M6	6	6	6					
58	1	124160-01751	COVER, FILLER	1	1	1					
59	1	24311-000320	O-RING, 1AP32.0	1	1	1					

Remarks
(1) REPAIR PART.

Fig.5. SUCTION MANIFOLD & AIR CLEANER

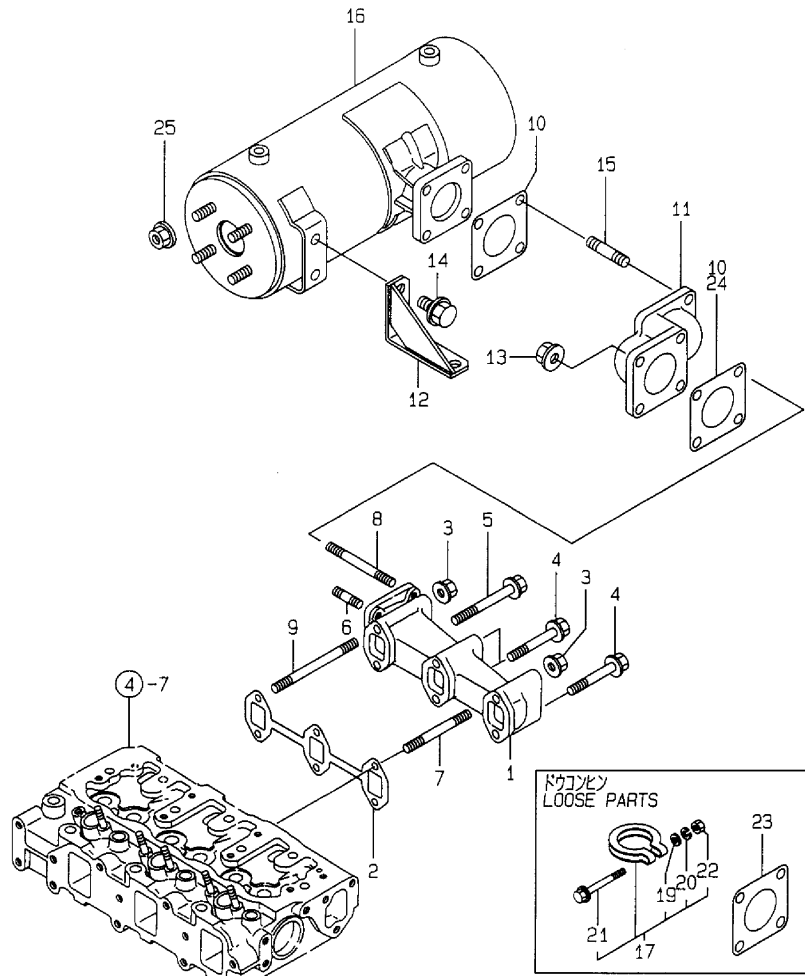


(A)=3TNE82A-TB
 (B)=3TNE82A-ETB
 (C)=3TNE82A-ETBZ

(D)=
 (E)=
 (F)=

No.	Lev.	Parts No.	Description	Qty						I	R
				(A)	(B)	(C)	(D)	(E)	(F)		
1	1	119813-12110	GASKET, MANIFOLD	1	1	1					
2	1	119813-12100	MANIFOLD, AIR INTAKE	1	1	1					
4	1	26106-080252	BOLT, M8X 25 PLATED	6	6	6					
5	1	119910-12210	PIPE, AIR INTAKE	1	1	1					
6	1	119910-12560	BRACKET, AIR CLEANER	1	1	1					
7	1	129612-12690	CLEANER ASSY, AIR	1	1						
8	2	129259-12570	RING	1	1						
9	2	119910-12510	BODY, AIR CLEANER	1	1						
10	2	119808-12520	ELEMENT	1	1						
11	2	119866-12541	COVER ASSY	1	1						
12	2	119808-12540	VALVE, UNLOADER	1	1						
13	2	119140-12680	INDICATOR	1	1						
14	1	23000-060000	CLAMP, 60	2	2	2					
15	1	26013-080222	BOLT, M8X 22	4	4	4					
16	1	26013-080222	BOLT, M8X 22	2	2	2					
17	1	129100-77500	HEATER, AIR 12V	1	1	1					
18	1	129100-77510	GASKET, AIR HEATER	1	1	1					
19	1	129150-77511	GASKET	1	1	1					
20	1	171340-77520	BEND	1	1	1					
21	1	26106-080402	BOLT, M8X 40 PLATED	2	2	2					
22	1	26106-080802	BOLT, M8X 80 PLATED	2	2	2					
23	1	121855-12060	SILENCER ASSY	1	1						
24	1	129030-12201	PIPE, AIR INTAKE	1	1						
25	1	119869-12210	PIPE, AIR INTAKE	1							
25-1	1	119823-12210	PIPE, AIR INTAKE	1	1						R
		(A=E53828)									
26	1	23000-048000	CLAMP, 48	4							
26-1	1	23000-060000	CLAMP, 60	3	3	3					N
		(A=FROM 1ST)									
27	1	129612-12680	CLEANER ASSY, AIR			1					
28	2	129612-12690	CLEANER ASSY, AIR			1					
29	3	129259-12570	RING			1					
30	3	119910-12510	BODY, AIR CLEANER			1					
31	3	119808-12520	ELEMENT			1					
32	3	119866-12541	COVER ASSY			1					
33	3	119808-12540	VALVE, UNLOADER			1					
34	3	119140-12680	INDICATOR			1					
35	2	129612-12560	ELBOW			1					
36	2	23000-060000	CLAMP, 60			1					

Fig.6. EXHAUST MANIFOLD & SILENCER



(A)=3TNE82A-TB
 (B)=3TNE82A-ETB
 (C)=3TNE82A-ETBZ

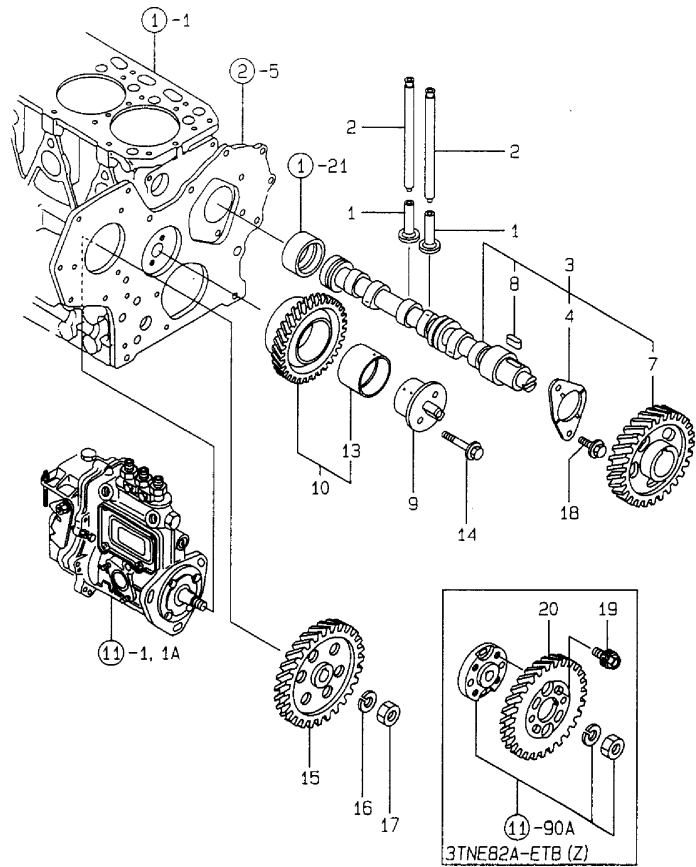
(D)=
 (E)=
 (F)=

No.	Lev.	Parts No.	Description	Qty						I	R
				(A)	(B)	(C)	(D)	(E)	(F)		
1	1	119840-13100	MANIFOLD, EXHAUST	1	1	1					
2	1	119810-13110	GASKET	1	1	1					
3	1	26366-080002	NUT, M8	2	2	2					
4	1	26106-080602	BOLT, M8X 60 PLATED	3	3	3					
5	1	26106-080802	BOLT, M8X 80 PLATED	1	1	1					
6	1	119131-18320	STUD, M8X22	2	2	2					
7	1	26216-080602	STUD, M8X 60	1	1	1					
8	1	119823-13600	STUD, M8X70	2	2	2					
9	1	26216-080802	STUD, M8X 80	1	1	1					
10	1	124701-11911	GASKET, SILENCER	2	2						
11	1	119840-13150	PIPE	1	1	1					
12	1	119840-13650	STAY, SILENCER	1	1						
13	1	26366-080002	NUT, M8	2	2						
14	1	26106-100162	BOLT, M10X 16 PLATED	2	2						
15	1	119131-18320	STUD, M8X22	2	2						
16	1	119640-13510	SILENCER	1	1	1					
17	1	121120-13590	CLAMP	1	1	1					
19	2	22137-100000	WASHER, 10	1	1	1					
20	2	22217-100000	WASHER, SPRING 10	1	1	1					
21	2	26106-100652	BOLT, M10X 65 PLATED	1	1	1					
22	2	26706-100002	NUT, M10	1	1	1					
23	1	124701-11911	GASKET, SILENCER	1	1	3					W
		(A=E50256)									
24	1	124701-11911	GASKET, SILENCER			1					
25	1	26366-080002	NUT, M8			4					

Fig.7. CAMSHAFT & DRIVING GEAR

(A)=3TNE82A-TB
 (B)=3TNE82A-ETB
 (C)=3TNE82A-ETBZ

(D)=
 (E)=
 (F)=



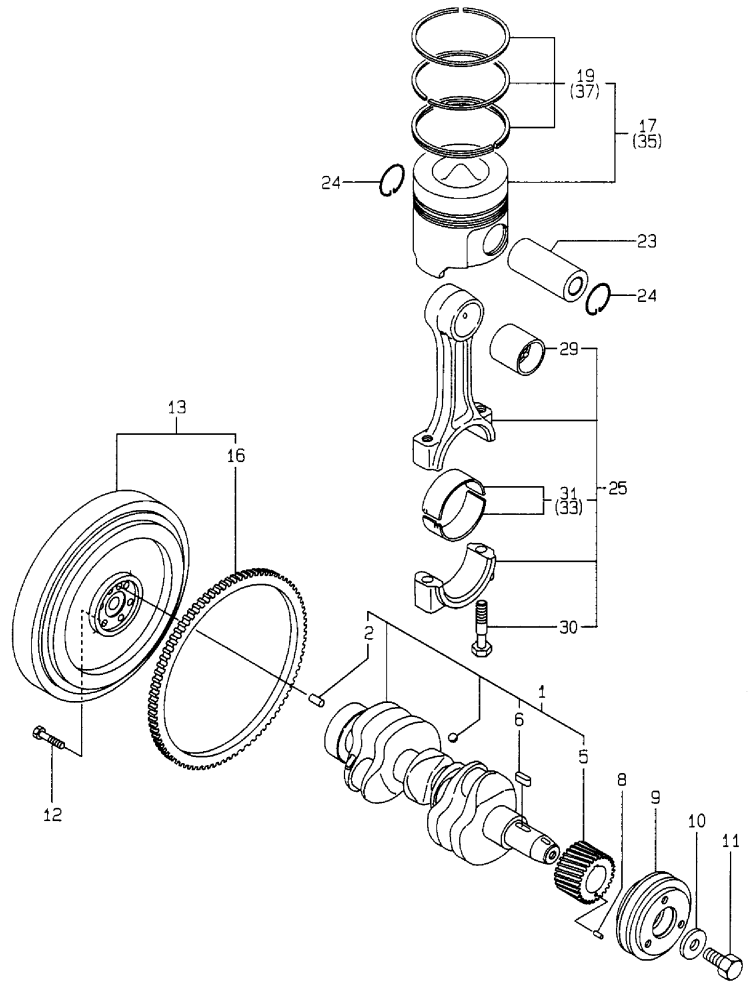
No.	Lev.	Parts No.	Description	Qty						I	R
				(A)	(B)	(C)	(D)	(E)	(F)		
1	1	129150-14200	TAPPET	6	6	6					
2	1	119810-14400	ROD, PUSH	6	6	6					
3	1	119810-14580	CAMSHAFT ASSY	1	1	1					
4	2	129150-02450	BEARING, THRUST	1	1	1					
7	2	129150-14101	GEAR, CAMSHAFT	1	1	1					
8	2	22512-070140	KEY, 7X 14	1	1	1					
9	1	129100-25061	SHAFT, IDLE	1	1	1					
10	1	129150-25101	GEAR ASSY, IDLE	1	1	1					
13	2	129150-25920	BUSH, IDLE GEAR	1	1	1					1
14	1	26106-080452	BOLT, M8X 45 PLATED	2	2	2					
15	1	129150-25900	GEAR, PUMP	1							
16	1	22217-120000	WASHER, SPRING 12	1							
17	1	26716-120002	NUT, M12	1							
18	1	26106-080142	BOLT, M8X 14 PLATED	2	2	2					
19	1	129150-25301	BOLT		4	4					
20	1	129150-25931	GEAR, PUMP		1	1					

Remarks
 (1) REPAIR PART.

Fig.8. CRANKSHAFT & PISTON

(A)=3TNE82A-TB
 (B)=3TNE82A-ETB
 (C)=3TNE82A-ETBZ

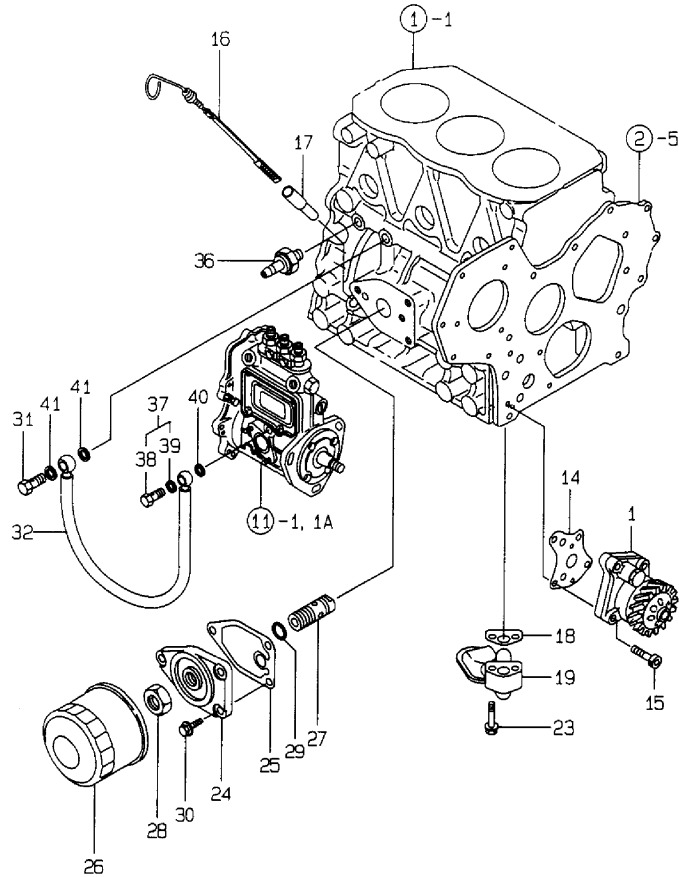
(D)=
 (E)=
 (F)=



No.	Lev.	Parts No.	Description	Qty						I	R
				(A)	(B)	(C)	(D)	(E)	(F)		
1	1	119813-21000	CRANKSHAFT ASSY	1	1	1					
2	2	129100-01580	PIN, M8X16	1	1	1					
5	2	129150-21200	GEAR, CRANKSHAFT	1	1	1					
6	2	22512-070140	KEY, 7X 14	1	1	1					
8	1	22351-040010	PIN, SPRING 4.0X10	1	1	1					
9	1	171301-21650	V-PULLEY	1	1	1					
10	1	129795-21661	WASHER	1	1	1					
11	1	121850-21680	BOLT	1	1	1					
12	1	121111-21501	BOLT, FLYWHEEL	6	6	6					
13	1	171325-21590	FLYWHEEL ASSY	1	1	1					
16	2	119865-21600	GEAR, RING	1	1	1					
17	1	119813-22080	PISTON ASSY	3	3	3					
19	2	119813-22500	RING SET, PISTON	3	3	3					
23	1	119813-22300	PIN, PISTON	3	3	3					
24	1	129792-22400	CIRCLIP, 23	6	6	6					
25	1	719810-23100	ROD ASSY, CONNECTING	3	3	3					
29	2	119810-23910	BEARING, PISTON PIN	3	3	3					1
30	2	119810-23200	BOLT, CONNECTING ROD	6	6	6					
31	2	119810-23600	BEARING, CRANK PIN	3	3	3					
33	1	119810-23610	BEARING, 0.25 US	3	3	3					2
35	1	119813-22900	PISTON ASSY, 0.25 OS	3	3	3					3
37	2	129003-22950	RING SET, 0.25 OS	3	3	3					3

Remarks
 (1) REPAIR PART.
 (2) UNDER-SIZE(U.S=0.25)PART.
 (3) OVER-SIZE(O.S=0.25)PART.

Fig.9. LUB.OIL SYSTEM

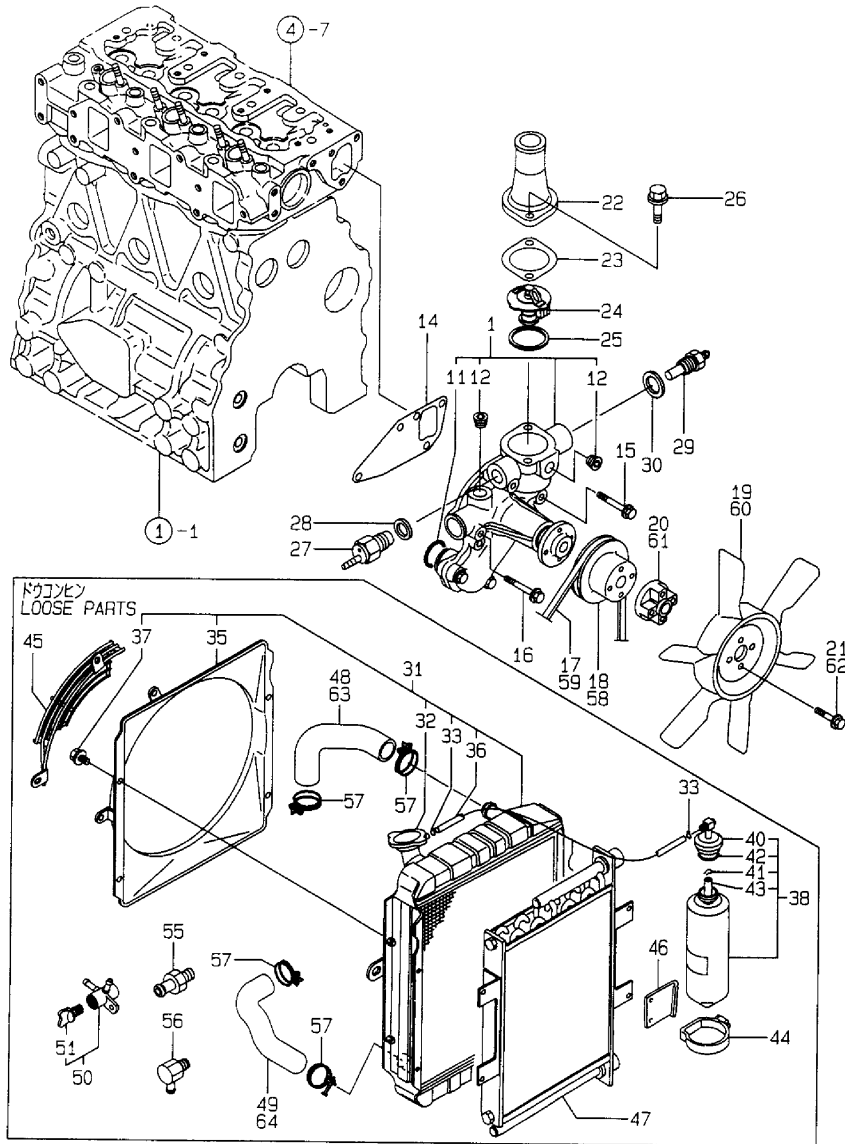


(A)=3TNE82A-TB
 (B)=3TNE82A-ETB
 (C)=3TNE82A-ETBZ

(D)=
 (E)=
 (F)=

No.	Lev.	Parts No.	Description	Qty						I	R
				(A)	(B)	(C)	(D)	(E)	(F)		
1	1	129001-32001	PUMP ASSY, OIL	1	1	1					
14	1	129150-32020	GASKET, PUMP	1	1	1					
15	1	26450-060252	BOLT, M6X 25	4	4	4					
16	1	119640-34800	DIPSTICK, OIL	1	1	1					
17	1	121520-34810	GUIDE, DIPSTICK	1	1	1					
18	1	129150-35041	GASKET	1	1	1					
19	1	119810-35401	PIPE ASSY, OIL INLET	1	1	1					
23	1	26106-080352	BOLT, M8X 35 PLATED	2	2	2					
24	1	129150-35101	BRACKET, STRAINER	1	1	1					
25	1	129150-35111	GASKET	1	1	1					
26	1	129150-35151	FILTER, D80XL80	1	1	1					
27	1	129001-35300	BOLT, FILTER	1	1	1					
28	1	129150-35350	NUT	1	1	1					
29	1	24311-000160	O-RING, 1AP16.0	1	1	1					
30	1	26106-080202	BOLT, M8X 20 PLATED	3	3	3					
31	1	124160-39140	BOLT, PIPE JOINT M10	1	1	1					
32	1	119810-39200	PIPE ASSY, OIL	1	1	1					
36	1	124160-39450	SWITCH, 0.5KG	1							
36-1	1	114250-39450	SWITCH, 0.5KG	1	1	1					N
		(A=E55167)									
37	1	124550-59830	BOLT ASSY, JOINT M8	1	1	1					
38	2	124550-59820	BOLT, PIPE JOINT M8	1	1	1					
39	2	22190-080002	WASHER, SEAL 6	1	1	1					
40	1	22190-080002	WASHER, SEAL 6	1	1	1					
41	1	23414-100000	GASKET, 10X1.0	2							
41-1	1	22190-100002	WASHER, SEAL 10	2	2	2					N
		(A=E53828)									

Fig.10. COOLING WATER SYSTEM

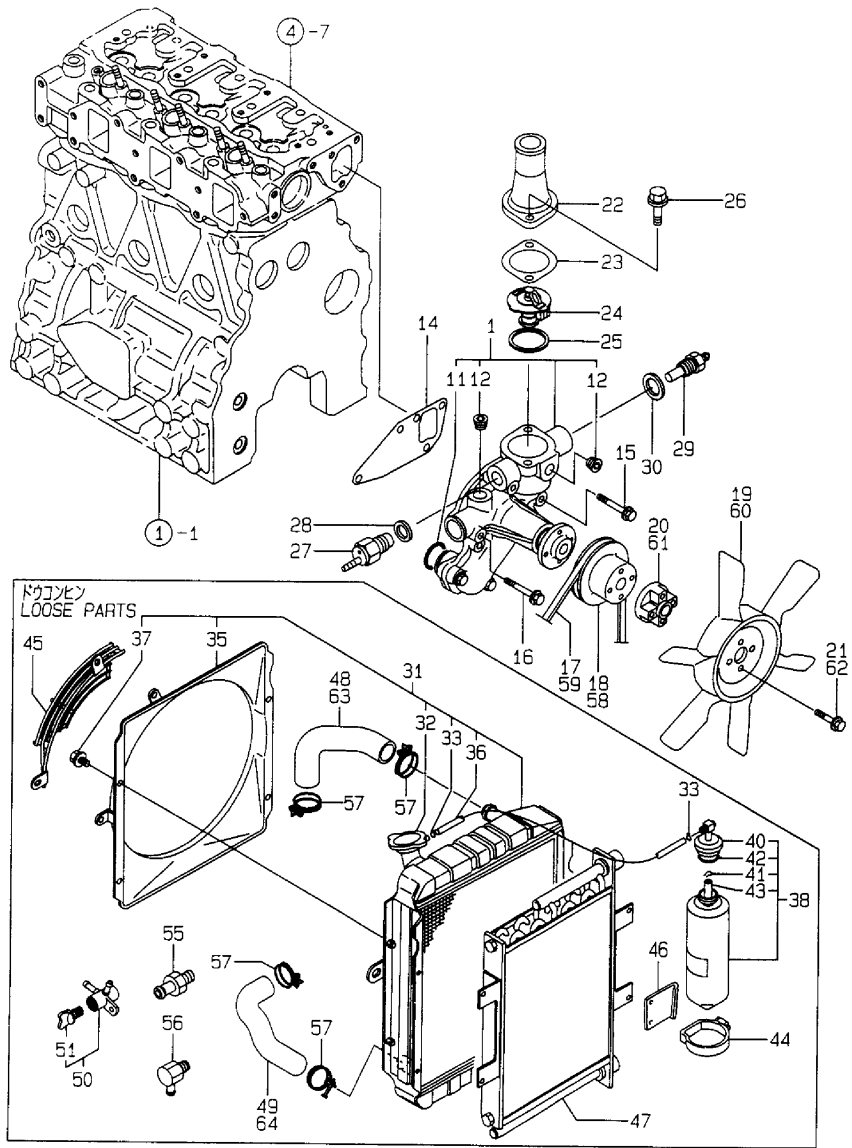


(A)=3TNE82A-TB
(B)=3TNE82A-ETB
(C)=3TNE82A-ETBZ

(D)=
(E)=
(F)=

No.	Lev.	Parts No.	Description	Qty						I	R
				(A)	(B)	(C)	(D)	(E)	(F)		
1	1	119810-42001	PUMP ASSY, WATER	1							
1-1	1	119823-42000	PUMP ASSY, WATER	1	1	1					S
(A=E54588)											
11	2	129150-42320	O-RING	1	1	1					
12	2	23871-030000	PLUG, R03	2							
12-1	2	23876-030000	PLUG, R03	2	2	2					N
(A=EXXX)											
14	1	129150-42020	GASKET, WATER PUMP	1							
14-1	1	129486-42050	GASKET, WATER PUMP	1	1	1					N
(A=E55620)											
15	1	26106-080352	BOLT, M8X 35 PLATED	1	1	1					
16	1	26106-080552	BOLT, M8X 55 PLATED	3	3	3					
17	1	119831-42290	V-BELT, A37.5	1	1						
18	1	129403-42380	V-PULLEY, D=110	1	1						
19	1	121520-44740	FAN, COOLING D325	1	1						
20	1	129030-44760	SPACER, FAN L38.5	1	1						
21	1	26106-060552	BOLT, M6X 55 PLATED	4	4						
22	1	129350-49560	COVER, THERMOSTAT	1	1	1					
23	1	129795-49551	GASKET	1	1	1					
24	1	129155-49800	THERMOSTAT, 71	1	1						
24-1	1	129574-49800	THERMOSTAT, 82		1	1					N
(B=E64455)											
25	1	129150-49811	GASKET, THERMOSTAT	1	1	1					
26	1	26106-080202	BOLT, M8X 20 PLATED	2	2	2					
27	1	121250-44901	SWITCH, 110	1	1	1					
28	1	124465-44950	GASKET, 16	1	1	1					
29	1	119266-49350	SWITCH	1	1	1					
30	1	129150-49360	GASKET	1	1	1					
31	1	129030-44510	RADIATOR ASSY	1							
31-1	1	129030-44520	RADIATOR	1	1	1					R
(A=E50967)											
32	2	119259-44570	CAP, RADIATOR	1	1	1					
33	2	121250-44590	CLAMP	2	2	2					
35	2	129132-44520	SHROUD	1							Z
(A=E50967)											
36	2	119813-44580	HOSE, RUBBER	1	1	1					
37	2	26014-080162	BOLT, M8X 16	4							Z
(A=E50967)											
38	1	171064-44510	TANK ASSY, SUB	1	1	1					
40	2	121450-44531	CAP	1	1	1					
41	2	124450-44560	RETAINER	1	1	1					
42	2	121470-44581	GASKET	1	1	1					
43	2	23065-070225	HOSE 7X 225	1	1	1					
44	1	124450-44550	BAND	1	1	1					
45	1	129132-44590	NET, WIRE	1	1	1					
46	1	121256-44600	BRACKET, SUB TANK	1	1	1					
47	1	129132-44901	COOLER ASSY, OIL	1	1	1					
48	1	119859-49010	PIPE, WATER	1	1						
49	1	119869-49020	PIPE, WATER	1	1						
50	1	129150-49100	COCK ASSY, 3-WAY	1	1	1					
51	2	129150-49080	COCK, DRAIN	1	1	1					

Fig.10. COOLING WATER SYSTEM

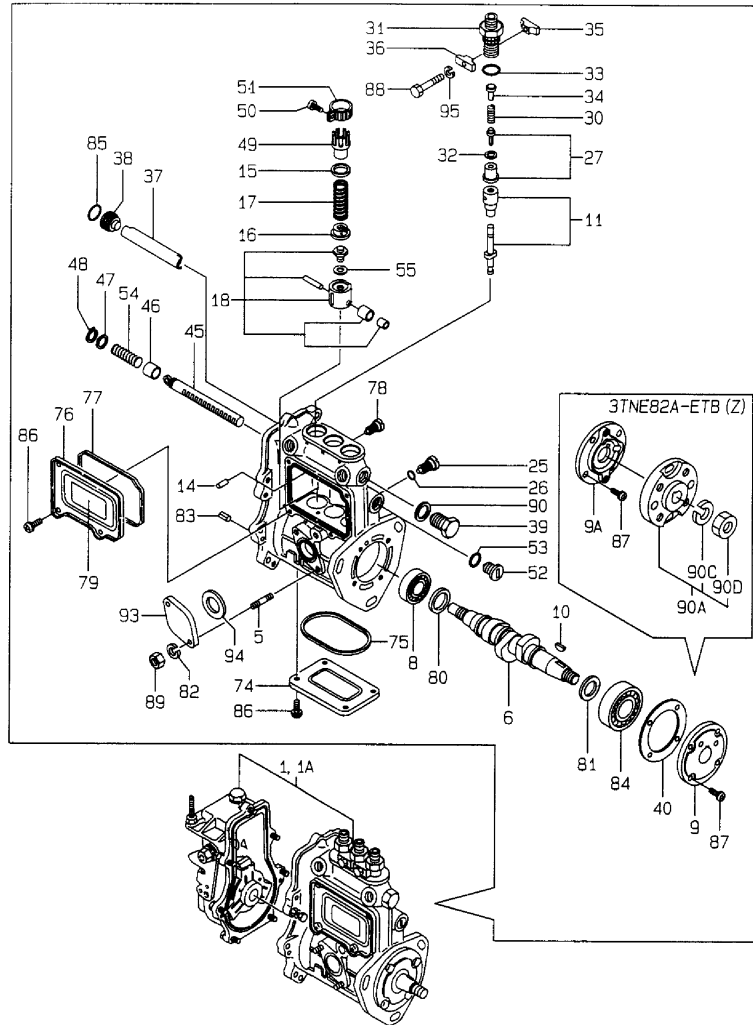


(A)=3TNE82A-TB
 (B)=3TNE82A-ETB
 (C)=3TNE82A-ETBZ

(D)=
 (E)=
 (F)=

No.	Lev.	Parts No.	Description	Qty						I	R
				(A)	(B)	(C)	(D)	(E)	(F)		
55	1	121550-49111	JOINT, PT1/4	1	1	1					
56	1	121750-49110	JOINT	1	1	1					
57	1	23010-038000	CLAMP, 38	4	4	4					
58	1	129556-42350	V-PULLEY, 96				1				
59	1	25132-003700	V-BELT, A37				1				
60	1	129114-44740	FAN, COOLING D325XY				1				
61	1	129457-44760	SPACER, FAN				1				
62	1	26106-060452	BOLT, M6X 45 PLATED				4				
63	1	119823-49030	PIPE, WATER				1				
64	1	119823-49040	PIPE, WATER				1				

Fig.11. FUEL INJECTION PUMP



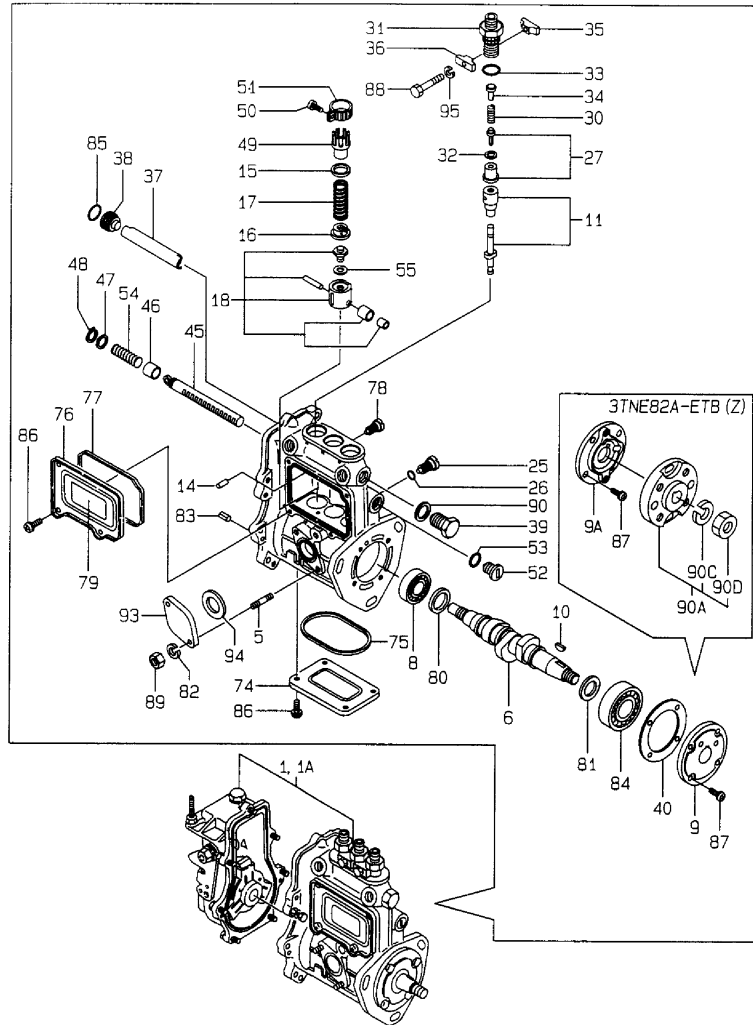
(A)=3TNE82A-TB
(B)=3TNE82A-ETB
(C)=3TNE82A-ETBZ

(D)=
(E)=
(F)=

No.	Lev.	Parts No.	Description	Qty						I	R
				(A)	(B)	(C)	(D)	(E)	(F)		
1	1	719823-51410	PUMP ASSY, INJECTION	1							1
1A	1	719824-51470	PUMP ASSY, INJECTION		1						1
5	2	129155-51020	STUD	2	2	2					
6	2	119810-51040	CAMSHAFT	1	1	1					
8	2	129155-51050	BEARING, 17BM001D	1	1	1					
9	2	129155-51060	SUPPORT, CAMSHAFT	1							
9A	2	129208-51060	SUPPORT		1	1					
10	2	122710-51090	KEY	1	1	1					
11	2	129108-51100	PLUNGER ASSY	3	3	3					
14	2	129155-51140	PIN	3	3	3					
15	2	174307-51170	RETAINER, SPRING A	3	3	3					
16	2	129155-51180	RETAINER, SPRING	3	3	3					
17	2	124950-51190	SPRING, PLUNGER	3	3	3					
18	2	129155-51200	TAPPET ASSY	3	3	3					
25	2	129155-51270	STOPPER, TAPPET	3	3	3					
26	2	129155-51280	O-RING, S6	3	3	3					
27	2	129505-51300	VALVE ASSY, DELIVERY	3	3	3					
30	2	129155-51320	SPRING, DELIVERY	3	3	3					
31	2	129155-51340	RETAINER	3	3	3					
32	2	124550-51350	GASKET, DELIVERY	3	3	3					
33	2	124550-51370	O-RING	3	3	3					
34	2	129155-51370	STOPPER, VALVE	3	3	3					
35	2	129155-51380	STOPPER	2	2	2					
36	2	129155-51390	STOPPER	2	2	2					
37	2	129155-51400	DEFLECTOR	1	1	1					
38	2	129155-51410	BOLT	1	1	1					
39	2	129155-51420	PLUG, M16	1	1	1					
40	2	129155-51450	SHIM SET, ADJUSTING	1	1	1					
45	2	129155-51500	RACK, CONTROL	1	1	1					
46	2	129155-51521	BUSH, RACK	1	1	1					
47	2	129155-51530	SPACER	1	1	1					
48	2	129155-51540	CIRCLIP	1	1	1					
49	2	129155-51550	PINION, CONTROL	3	3	3					
50	2	122117-51560	SCREW	3	3	3					
51	2	174307-51560	PINION	3	3	3					
52	2	129155-51570	PLUG, M12	1	1	1					
53	2	129155-51580	O-RING	1	1	1					
54	2	129155-51591	SPRING, RACK	1	1	1					
55	2	129155-51600	SHIM SET, ADJUSTING	3	3	3					
74	2	129155-51700	COVER	1							
74-1	2	129155-51701	COVER	1	1	1					N
(A=E55620)											
75	2	129155-51710	GASKET	1	1						
75-1	2	129155-51711	GASKET	1	1	1					N
(A=E55620) (B=E64455)											
76	2	129155-51750	COVER	1							
76-1	2	129155-51751	COVER	1	1	1					N
(A=E55620)											
77	2	129155-51760	GASKET	1	1	1					
78	2	129155-51790	STOOPER, RACK	1	1	1					
79	2	129156-51910	LABEL, CAUTION	1	1	1					

Remarks
(1) GOVERNOR(FIG.12) IS INCORPORATED
IN THIS FUEL INJECTION PUMP ASSY
(REF.NO.1,1A).

Fig.11. FUEL INJECTION PUMP



(A)=3TNE82A-TB
 (B)=3TNE82A-ETB
 (C)=3TNE82A-ETBZ

(D)=
 (E)=
 (F)=

No.	Lev.	Parts No.	Description	Qty						I	R
				(A)	(B)	(C)	(D)	(E)	(F)		
80	2	129155-51930	SPACER, T=3.25	1	1	1					
81	2	129155-51940	SPACER, T=1.5	1	1	1					
82	2	22217-060000	WASHER, SPRING 6	2	2	2					
83	2	22351-050010	PIN, SPRING 5.0X10	2	2	2					
84	2	24101-063034	BEARING, BALL 6303	1	1	1					
85	2	24341-000160	O-RING, 1AS16.0	1	1	1					
86	2	26022-050102	SCREW, M5X10	8							
86-1	2	26022-050122	SCREW, M5X12	8	8	8					N
(A=E55620)											
87	2	26022-060162	SCREW, M6X16	4	4	4					
88	2	26116-050302	BOLT, M5X 30 PLATED	2	2	2					
89	2	26716-060002	NUT, M6	2	2	2					
90	2	22190-160002	WASHER, SEAL 16	1	1	1					
90A	2	129208-54500	FLANGE ASSY		1	1					
90C	3	22217-120000	WASHER, SPRING 12		1	1					
90D	3	26716-120002	NUT, M12		1	1					
93	2	129100-52200	COVER	1	1	1					
94	2	129155-52050	GASKET	1	1	1					
95	2	22217-050000	WASHER, SPRING 5	2	2	2					

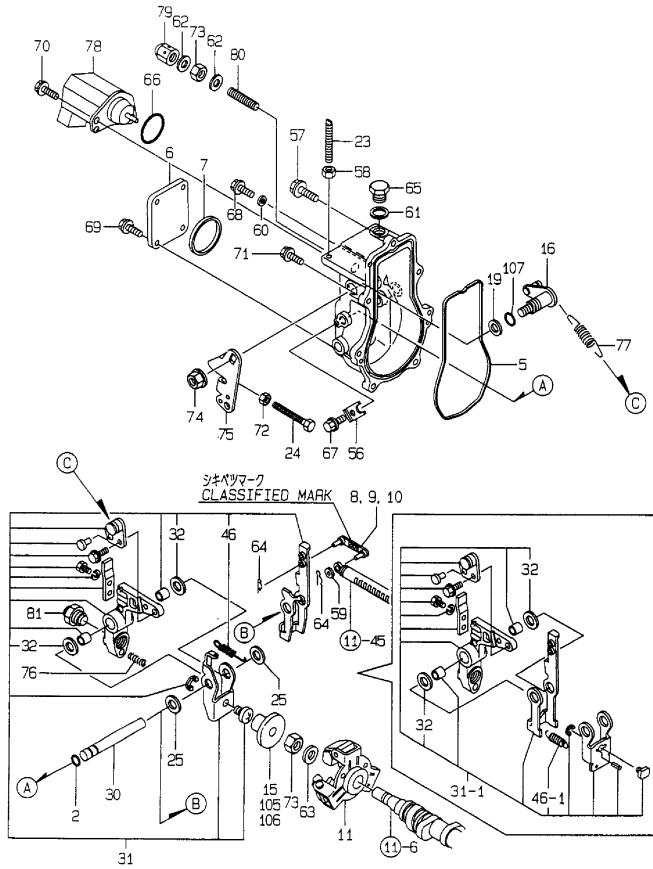
Remarks

(1) GOVERNOR(FIG.12) IS INCORPORATED
 IN THIS FUEL INJECTION PUMP ASSY
 (REF.NO.1,1A).

Fig.12. GOVERNOR

(A)=3TNE82A-TB
 (B)=3TNE82A-ETB
 (C)=3TNE82A-ETBZ

(D)=
 (E)=
 (F)=

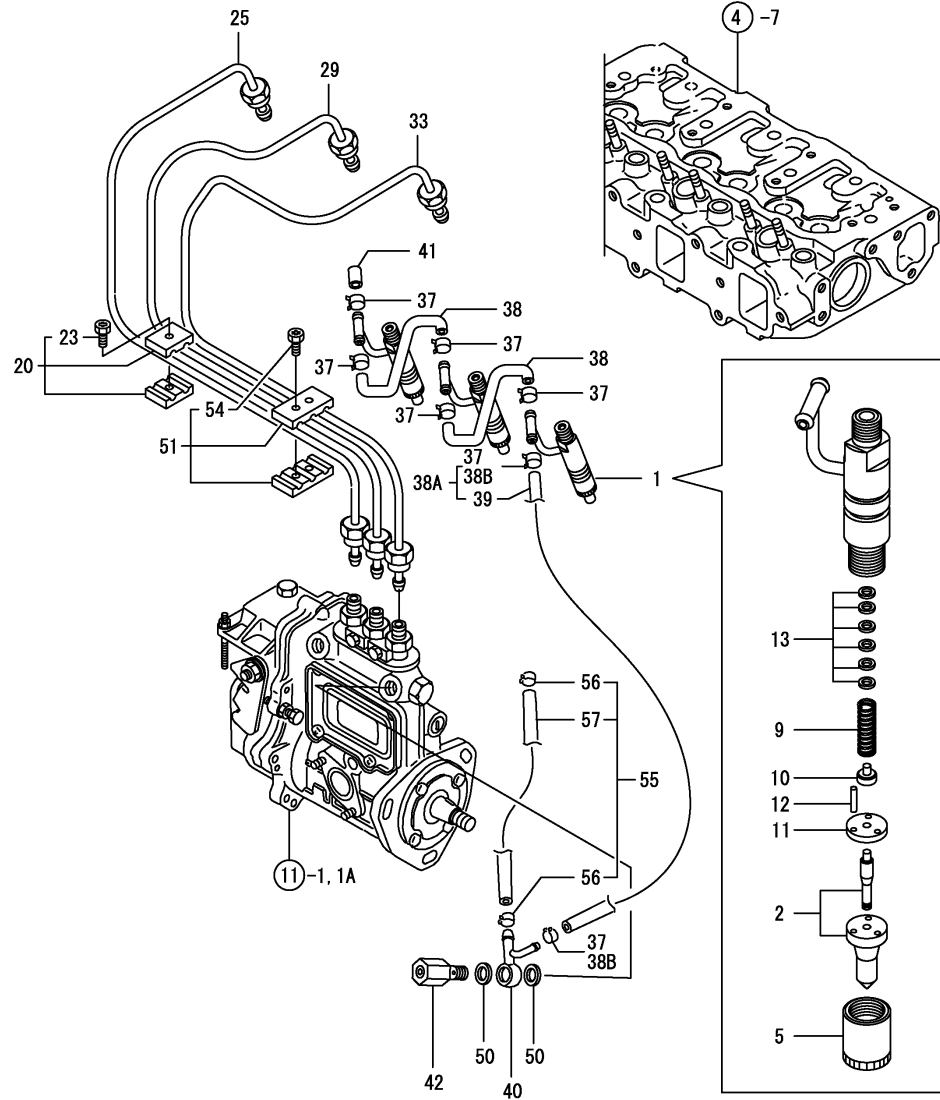


No.	Lev.	Parts No.	Description	Qty						I	R
				(A)	(B)	(C)	(D)	(E)	(F)		
2	2	129155-51280	O-RING, S6	1	1	1					
5	2	129052-61050	GASKET	1	1	1					
6	2	129052-61060	COVER, GOVERNOR CASE	1	1	1					
7	2	129052-61070	GASKET	1	1	1					
8	2	129155-61120	LINK, L=30 MARK 0	1	1	1					1
9	2	129155-61130	LINK, L=31 MARK 1	1	1	1					1
10	2	129155-61140	LINK, L=30.5 MARK 05	1	1	1					1
11	2	129155-61201	WEIGHT ASSY,GOVERNOR	1							
11-1	2	129155-61202	WEIGHT ASSY,GOVERNOR	1	1						R
(A=E55620)											
11-2	2	129486-61201	WEIGHT ASSY,GOVERNOR (B=E)		1	1					S 3
15	2	129155-61341	SLEEVE	1	1	1					2
16	2	129100-61400	SHAFT ASSY	1	1	1					
19	2	129155-61430	SPACER	1	1	1					
23	2	129155-61450	BOLT, LIMITER	1	1	1					
24	2	129155-61460	BOLT, IDLE	1	1	1					
25	2	129155-61480	SPACER ASSY	2	2	2					
30	2	129052-61390	SHAFT	1	1	1					
31	2	129052-61500	LEVER ASSY, GOVERNOR	1	1						
31-1	2	119908-61501	LEVER ASSY, GOVERNOR	1	1	1					S
(A=E) (B=E)											
32	3	174307-51700	SHIM SET	2	2	2					
46	3	129052-61540	SPRING, SET	1	1						
46-1	3	129486-61540	SPRING, SET	1	1	1					S
(A=E) (B=E)											
56	2	119660-61901	RETAINER, SHAFT	1	1	1					
57	2	129155-61950	BOLT	1	1	1					
58	2	124550-66370	NUT, M6	1	1	1					
59	2	22117-040000	WASHER, 4	1	1	1					
60	2	22190-060003	SEAL WASER 6	1	1	1					
61	2	22190-100002	WASHER, SEAL 10	1	1	1					
62	2	22190-120002	WASHER, SEAL 12	2	2	2					
63	2	22287-120000	WASHER, 12	1	1	1					
64	2	22372-040000	PIN, SNAP 4	2	2	2					
65	2	23887-100002	PLUG, 10	1	1	1					
66	2	24341-000280	O-RING, 1AS28.0	1	1	1					
66-1	2	158552-61900	O-RING	1	1	1					N
(A=EXXXXX) (B=EXXXXX) (C=EXXXXX)											
67	2	26106-060102	BOLT, M6X 10 PLATED	1	1	1					
68	2	26106-060102	BOLT, M6X 10 PLATED	1	1	1					
69	2	26106-060102	BOLT, M6X 10 PLATED	4	4	4					
70	2	26106-060142	BOLT, M6X 14 PLATED	2	2	2					
71	2	26106-060202	BOLT, M6X 20 PLATED	6	6	6					
72	2	26756-060002	NUT, LOCK M6	1	1	1					
73	2	26776-120002	NUT, LOCK M12	2	2	2					
74	2	26366-080002	NUT, M8	1	1	1					
75	2	129100-61440	LEVER, CONTROL	1	1	1					
76	2	129100-61650	SPRING, CONTROLLER	1	1	1					
77	2	171353-61710	SPRING, GOVERNOR	1	1	1					
78	2	119285-77951	SOLENOID	1	1						

Remarks

- (1) SELECTIVE PARTS: CERTAIN THE CLASSIFICATION MARK, THEN PLACE YOUR ORDER.(REFER TO ILLUSTRATION).
- (2) SELECTIVE PARTS.
- (3) DIFFERENCE BETWEEN NO.11-1&11-2 80&80-1 REFER TO NO.31&31-1.
- * THIS FIGURE(GOVERNOR ASSY) IS INCORPORATED IN THE FUEL INJECTION PUMP ASSY(FIG.11).

Fig.13. FUEL INJECTION VALVE

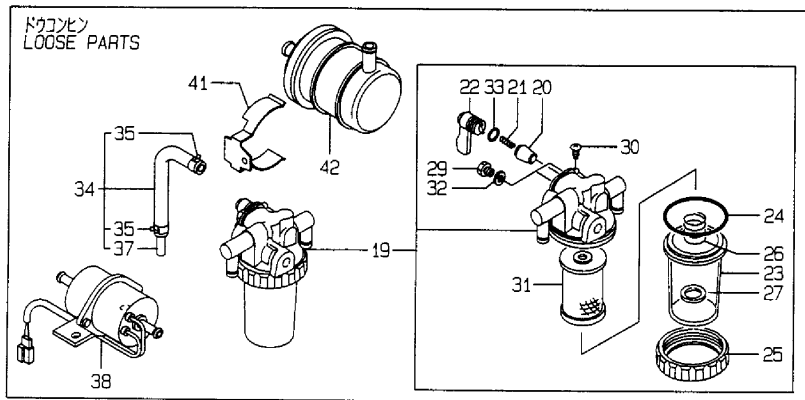
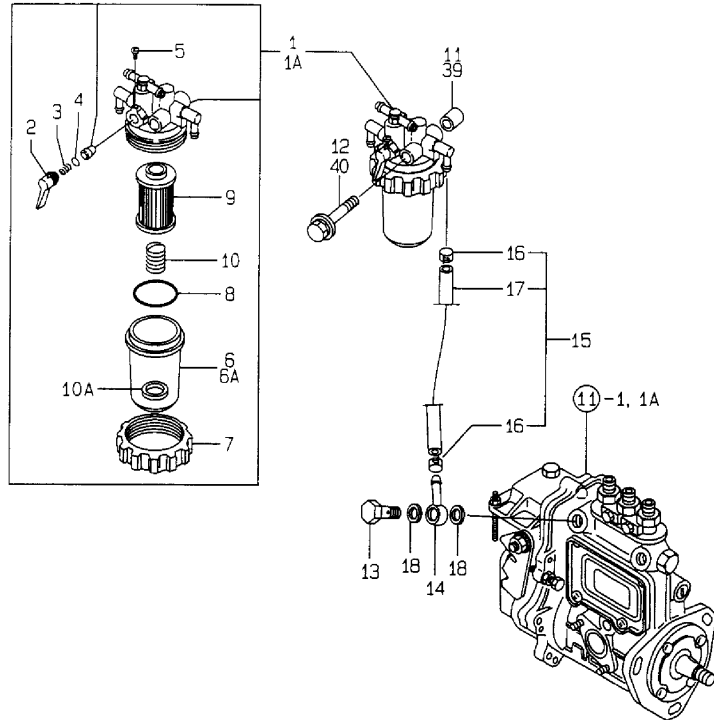


(A)=3TNE82A-TB
 (B)=3TNE82A-ETB
 (C)=3TNE82A-ETBZ

(D)=
 (E)=
 (F)=

No.	Lev.	Parts No.	Description	Q'ty						I	R
				(A)	(B)	(C)	(D)	(E)	(F)		
1	1	729500-53200	VALVE ASSY,INJECTION	3	3	3					
2	2	129500-53050	VALVE ASSY,INJECTION	3	3	3					
5	2	114250-53080	NUT, NOZZLE D16.95	3	3	3					
9	2	114250-53120	SPRING, NOZZLE	3	3	3					
10	2	114250-53130	SEAT, SPRING	3	3	3					
11	2	114250-53140	PLATE	3	3	3					
12	2	114250-53210	PIN	6	6	6					
13	2	114250-53400	SHIM SET	3	3	3					
20	1	119305-59120	RETAINER, PIPE	1	1	1					
23	2	129150-59131	BOLT, M4X14	1	1	1					
25	1	119813-59812	PIPE ASSY, INJECTION	1	1	1					
29	1	119813-59821	PIPE ASSY, INJECTION	1	1	1					
33	1	119813-59831	PIPE ASSY, INJECTION	1	1	1					
37	1	124066-59100	CLIP, HOSE 8	7							
37-1	1	124066-59100	CLIP, HOSE 8	5	5	5					K
(A=E55167)											
38	1	121250-59550	PIPE, FUEL D8X120	2	2	2					
38A	1	119840-59500	PIPE ASSY, RETURN	1	1	1					W
(A=E55167)											
38B	2	124066-59100	CLIP, HOSE 8	2	2	2					W
(A=E55167)											
39	2	119840-59560	PIPE, FUEL RETURN	1	1	1					
40	1	119840-59570	JOINT	1	1	1					
41	1	129150-59580	CAP	1	1	1					
42	1	129100-59951	VALVE ASSY, CHECK	1	1	1					
50	1	23414-120000	GASKET, 12X1.0	2							
50-1	1	22190-120002	WASHER, SEAL 12	2	2	2					N
(A=E51613)											
51	1	129150-59120	RETAINER, PIPE	1	1	1					
54	2	129150-59131	BOLT, M4X14	2	2	2					
55	1	129210-59130	PIPE ASSY, FUEL	1	1	1					
56	2	124766-59050	CLIP, HOSE 12	2	2	2					
57	2	105025-59750	PIPE, FUEL	1	1	1					

Fig.14. FUEL LINE

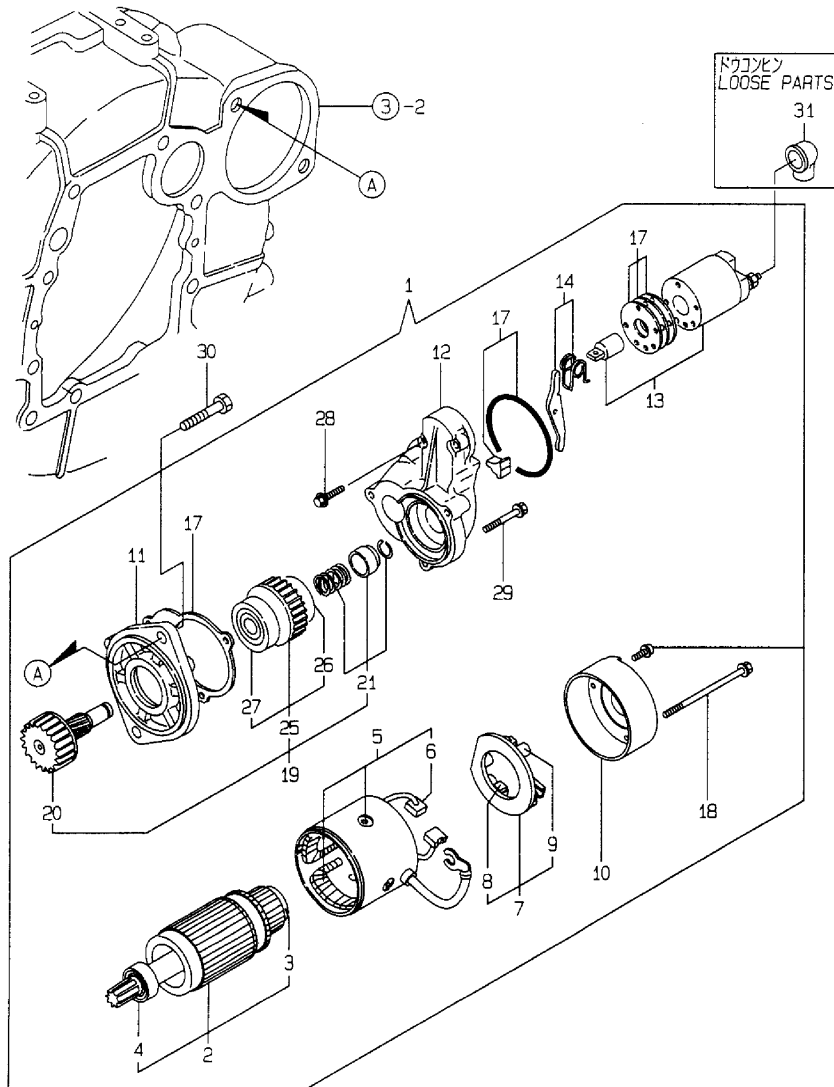


(A)=3TNE82A-TB
(B)=3TNE82A-ETB
(C)=3TNE82A-ETBZ

(D)=
(E)=
(F)=

No.	Lev.	Parts No.	Description	Q'ty						I	R
				(A)	(B)	(C)	(D)	(E)	(F)		
1	1	119833-55620	FILTER ASSY, FUEL	1	1						
1A	1	129053-55620	FILTER ASSY, FUEL			1					
2	2	119810-55340	LEVER	1	1	1					
3	2	104200-55330	SPRING, VALVE	1	1	1					
4	2	24311-240100	O-RING, 1AP10A	1	1	1					
5	2	104200-55750	SCREW, M4	1	1	1					
6	2	121254-55510	COVER	1	1						
6A	2	129107-55510	CUP, STRAINER			1					
7	2	110250-55610	RING, RETAINING	1	1	1					
8	2	102103-55520	O-RING	1	1	1					
9	2	119810-55650	ELEMENT	1	1	1					
10	2	121250-55620	SPRING	1	1	1					
10A	2	121257-55731	FLOAT			1					
11	1	129411-55690	SPACER	1	1						
12	1	26014-080852	BOLT, M8X 85	1	1						
13	1	103854-39140	BOLT, PIPE JOINT	1	1	1					
14	1	101304-59020	JOINT, PIPE 12	1	1	1					
15	1	129210-59040	PIPE ASSY, FUEL	1	1	1					
16	2	124766-59050	CLIP, HOSE 12	2	2	2					
17	2	129555-59510	PIPE, D13/7.5X180	1	1	1					
18	1	22190-120002	WASHER, SEAL 12	2	2	2					
19	1	129335-55700	SEPARATOR ASSY,WATER	1	1						
20	2	104200-55321	VALVE, TAPER	1	1						
21	2	104200-55330	SPRING, VALVE	1	1	1					
22	2	104200-55341	HANDLE	1	1						
23	2	124064-55510	COVER	1	1						
24	2	102103-55520	O-RING	1	1						
25	2	110250-55610	RING, RETAINING	1	1						
26	2	121257-55720	SPRING	1	1	1					
27	2	121257-55731	FLOAT	1	1						
29	2	101720-55750	PLUG, 6	2	2						
30	2	104200-55750	SCREW, M4	1	1						
31	2	171081-55910	SCREEN	1	1	1					
32	2	23418-060000	GASKET, 6X1.0	2	2						
33	2	24311-240100	O-RING, 1AP10A	1	1						
34	1	119840-59601	BEND	1	1	1					
35	2	124766-59050	CLIP, HOSE 12	2	2	2					
37	2	119840-59621	JOINT	1	1	1					
38	1	129322-77401	PUMP ASSY, FUEL FEED	1	1	1					
39	1	106500-44810	SPACER			1					
40	1	26014-080752	BOLT, M8X 75			1					
41	1	198072-04320	CLAMP, FILTER			1					
42	1	129052-55630	FILTER, FUEL			1					

Fig.15. STARTING MOTOR



(A)=3TNE82A-TB
 (B)=3TNE82A-ETB
 (C)=3TNE82A-ETBZ

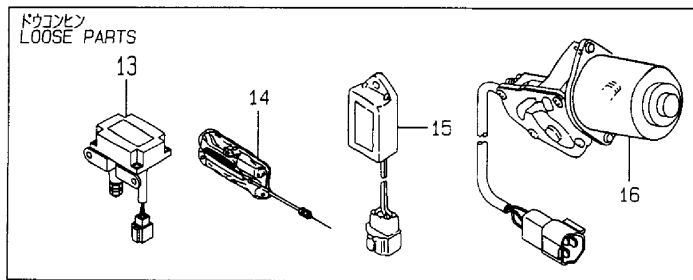
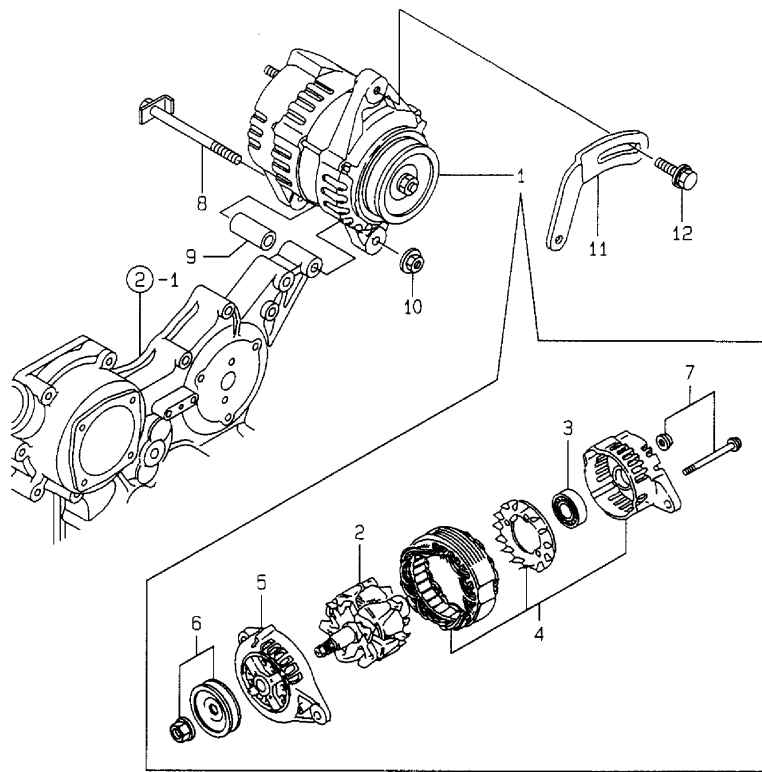
(D)=
 (E)=
 (F)=

No.	Lev.	Parts No.	Description	Qty						I	R
				(A)	(B)	(C)	(D)	(E)	(F)		
1	1	129400-77012	STARTING MOTOR	1	1	1					
2	2	129486-77400	ARMATUER	1	1	1					
3	3	171008-77410	BEARING(1)	1	1	1					
4	3	171008-77420	BEARING(2)	1	1	1					
5	2	129400-77441	COIL ASSY, FIELD	1	1	1					
6	3	129486-77460	BRUSH	2	2	2					
7	2	129486-77470	HOLDER ASSY, BRUSH	1	1	1					
8	3	129486-77460	BRUSH	2	2	2					
9	3	129486-77490	SPRING, START BRUSH	4	4	4					
10	2	129900-77460	COVER, REAR	1	1	1					
11	2	171008-77510	HOUSING ASSY, GEAR	1	1	1					
12	2	129400-77520	HOUSING, CENTER	1	1	1					
13	2	129400-77531	SWITCH ASSY, MAGNETIC	1	1	1					
14	2	171008-77540	LEVER SET, SHIFT	1	1	1					
17	2	129400-77571	DUST COVER, (NON-ASB.)	1	1	1					
18	2	129900-77640	BOLT, THROUGH	2	2	2					
19	2	171008-77650	PINION ASSY	1	1	1					
20	3	171008-77660	SHAFT, PINION	1	1	1					
21	3	171008-77670	STOPPER SET, PINION	1	1	1					
25	3	X2114555500	CLUTCH ASSY	1	1	1					
26	4	X2114955020	BALL BEARING	1	1	1					
27	4	X2240410100	BEARING, BALL	1	1	1					
28	2	26106-060322	BOLT, M6X 32 PLATED	2	2	2					
29	2	26106-060402	BOLT, M6X 40 PLATED	3	3	3					
30	1	26116-120252	BOLT, M12X 25 PLATED	2	2	2					
31	1	124550-77030	COVER, TERMINAL	1	1	1					

Fig.16. GENERATOR

(A)=3TNE82A-TB
 (B)=3TNE82A-ETB
 (C)=3TNE82A-ETBZ

(D)=
 (E)=
 (F)=

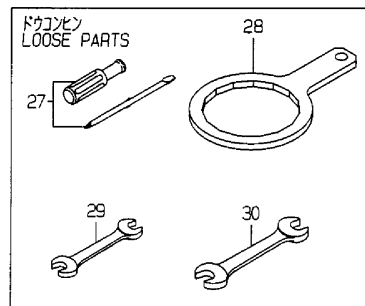
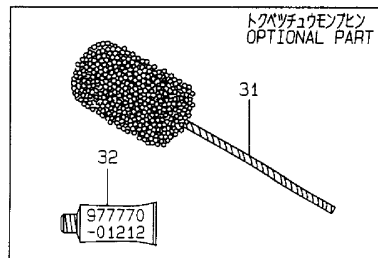
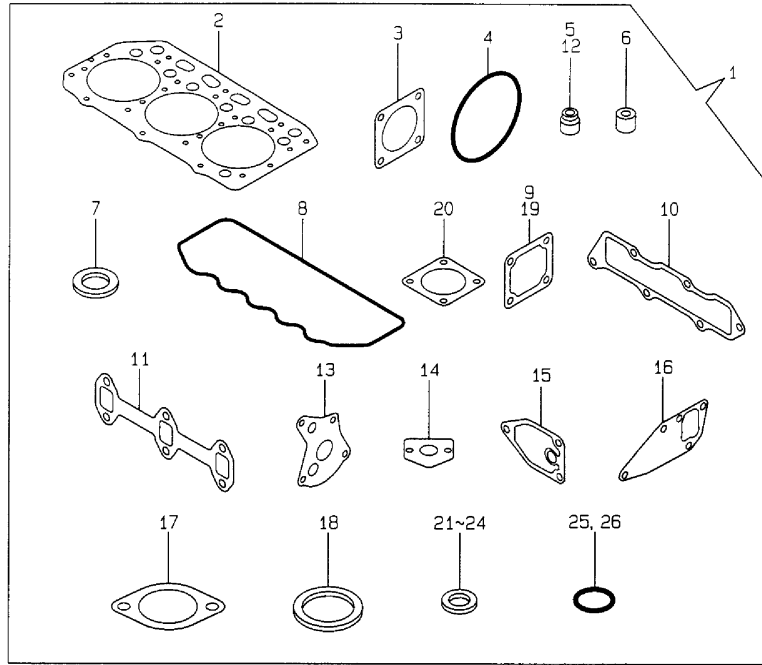


No.	Lev.	Parts No.	Description	Qty						I	R
				(A)	(B)	(C)	(D)	(E)	(F)		
1	1	119836-77201	GENERATOR (AC)	1	1	1					
2	2	129612-77700	ROTOR ASSY	1	1	1					
3	2	129612-77710	BEARING, BALL	1	1	1					
4	2	119836-77920	BRACKET ASSY	1	1	1					
5	2	129612-77730	BRACKET ASSY, FILTER	1	1	1					
6	2	129612-77740	PULLEY	1	1	1					
7	2	129612-77750	SCREW KIT	1	1	1					
8	1	129136-77251	BOLT, M8X110	1	1	1					
9	1	119820-77340	PIECE, DISTANCE	1	1	1					
10	1	129612-77260	NUT, ALTERNATOR	1	1	1					
11	1	119867-77331	ADJUSTER	1	1	1					
12	1	119810-77340	BOLT, ADJUSTER	1	1	1					
13	1	129136-77100	RELAY, SAFETY	1	1	1					
14	1	119032-77910	MOTOR ASSY	1	1						
15	1	119632-77920	TIMER	1	1						
15-1	1	129211-77920	TIMER	1	1	1					N
		(A=E55620) (B=E64455)									
16	1	129136-66810	MOTOR, STOP			1					

Fig.17. GASKET SET

(A)=3TNE82A-TB
 (B)=3TNE82A-ETB
 (C)=3TNE82A-ETBZ

(D)=
 (E)=
 (F)=



No.	Lev.	Parts No.	Description	Qty						I	R
				(A)	(B)	(C)	(D)	(E)	(F)		
1	1	719812-92650	GASKET SET	1							1
1-1	1	719812-92651	GASKET SET	1	1	1					N 1
(A=E55620)											
2	2	119812-01330	GASKET, HEAD	1	1	1					
3	2	124240-01883	GASKET	1	1						Z
(A=E55620) (B=E55766)											
4	2	121850-51960	O-RING	1	1	1					
5	2	124160-11340	SEAL, VALVE STEM	3	3	3					
6	2	119625-11870	PROTECTOR, NOZZLE	3	3	3					
7	2	119625-11880	SEAT, NOZZLE	3	3	3					
8	2	119865-11310	GASKET, BONNET	1	1	1					
9	2	129150-77511	GASKET	1	1	1					
10	2	119813-12110	GASKET, MANIFOLD	1	1	1					
11	2	119810-13110	GASKET	1	1	1					
12	2	124950-11340	SEAL, VALVE STEM	3	3	3					
13	2	129150-32020	GASKET, PUMP	1	1	1					
14	2	129150-35041	GASKET	1	1	1					
15	2	129150-35111	GASKET	1	1	1					
16	2	129150-42020	GASKET, WATER PUMP	1							
16-1	2	129486-42050	GASKET, WATER PUMP	1	1	1					N
(A=E55620)											
17	2	129795-49551	GASKET	1	1	1					
18	2	129150-49811	GASKET, THERMOSTAT	1	1	1					
19	2	129100-77510	GASKET, AIR HEATER	1	1	1					
20	2	124701-11911	GASKET, SILENCER	2							
20-1	2	124701-11911	GASKET, SILENCER	3	3	3					K
(A=E50256)											
21	2	124465-44950	GASKET, 16	1	1	1					
22	2	129150-49360	GASKET	1	1	1					
23	2	22190-120002	WASHER, SEAL 12	2	2	2					
24	2	23414-120000	GASKET, 12X1.0	2							
24-1	2	22190-120002	WASHER, SEAL 12	2	2	2					N
(A=E51613)											
25	2	24311-000120	O-RING, 1AP12.0	3	3	3					
26	2	24311-000160	O-RING, 1AP16.0	2	2	2					
27	1	104200-92350	DRIVER, SCREW	1	1	1					
28	1	119640-92750	WRENCH, FILTER 80	1	1	1					
29	1	28110-100120	SPANNER, 10X12	1	1	1					
30	1	28110-140170	SPANNER, 14X17	1	1	1					
31	1	129400-92420	FLEX HORN	1	1	1					1
32	1	977770-01212	GASKET, LIQUID	1	1	1					1

Remarks
 (1) OPTIONAL PART.

Parts No. Index

Parts No.	Fig. No.	Ref. No.
101304-59020	14	14
101720-55750	14	29
102103-55520	14	8
		24
103854-39140	14	13
104200-55321	14	20
104200-55330	14	3
		21
104200-55341	14	22
104200-55750	14	5
		30
104200-92350	17	27
104211-11180	4	18
104211-11370	4	22
105025-59750	13	57
106500-44810	14	39
110250-55610	14	7
		25
114250-39450	9	36 -1
114250-53080	13	5
114250-53120	13	9
114250-53130	13	10
114250-53140	13	11
114250-53210	13	12
114250-53400	13	13
119032-77910	16	14
119131-18320	6	6
		15
119140-12680	5	13
		34
119225-11740	2	31
119225-11750	2	33
119259-44570	10	32
119266-49350	10	29
119285-77951	12	78
119285-77952	12	78 -1
119305-59120	13	20
119620-01750	3	3
119620-02020	1	7
119625-11870	4	23
	17	6
119625-11880	4	24
	17	7
119625-11900	4	25
119632-77920	16	15
119640-01640	3	9
119640-13510	6	16
119640-34800	9	16
119640-92750	17	28
119660-61901	12	56

Parts No.	Fig. No.	Ref. No.
119808-12520	5	10
		31
119808-12540	5	12
		33
119810-01200	1	22
119810-01730	3	6
119810-01780	3	17
119810-01790	3	8
119810-02800	1	15
119810-02870	1	24
119810-02930	1	18
119810-02940	1	27
119810-11100	4	15
119810-11110	4	16
119810-11120	4	17
119810-11240	4	27
119810-13110	6	2
	17	11
119810-14400	7	2
119810-14580	7	3
119810-23200	8	30
119810-23600	8	31
119810-23610	8	33
119810-23910	8	29
119810-35401	9	19
119810-39200	9	32
119810-42001	10	1
119810-51040	11	6
119810-55340	14	2
119810-55650	14	9
119810-77340	16	12
119812-01330	1	23
	17	2
119812-11700	4	7
119813-12100	5	2
119813-12110	5	1
	17	10
119813-21000	8	1
119813-22080	8	17
119813-22300	8	23
119813-22500	8	19
119813-22900	8	35
119813-44580	10	36
119813-59812	13	25
119813-59821	13	29
119813-59831	13	33
119820-77340	16	9
119823-12210	5	25 -1
119823-13600	6	8
119823-42000	10	1 -1

Parts No.	Fig. No.	Ref. No.
119823-49030	10	63
119823-49040	10	64
119831-42290	10	17
119833-55620	14	1
119836-77201	16	1
119836-77920	16	4
119840-13100	6	1
119840-13150	6	11
119840-13650	6	12
119840-59500	13	38 A
119840-59560	13	39
119840-59570	13	40
119840-59601	14	34
119840-59621	14	37
119859-49010	10	48
119865-11210	4	26
119865-11310	4	47
	17	8
119865-21600	8	16
119866-12541	5	11
		32
119867-77331	16	11
119869-12210	5	25
119869-49020	10	49
119908-61501	12	31 -1
119910-12210	5	5
119910-12510	5	9
		30
119910-12560	5	6
120323-61470	12	80 -1
121023-01550	2	25
121111-21501	8	12
121120-13590	6	17
121250-44590	10	33
121250-44901	10	27
121250-55620	14	10
121250-59550	13	38
121254-55510	14	6
121256-44600	10	46
121257-55720	14	26
121257-55731	14	10 A
		27
121450-01560	2	6
121450-44531	10	40
121470-44581	10	42
121520-34810	9	17
121520-44740	10	19
121550-49111	10	55
121750-49110	10	56
121850-21680	8	11

Parts No.	Fig. No.	Ref. No.
121850-51960	2	12
	17	4
121855-12060	5	23
122117-51560	11	50
122710-51090	11	10
124060-11800	4	11
124064-55510	14	23
124066-59100	13	37
		37 -1
		38 B
124160-01751	2	7
	4	58
124160-01910	1	5
		11
124160-11340	4	20
	17	5
124160-11360	4	51
124160-39140	9	31
124160-39450	9	36
124240-01871	2	8
124240-01883	2	9
	17	3
124450-44550	10	44
124450-44560	10	41
124465-44950	10	28
	17	21
124550-51350	11	32
124550-51370	11	33
124550-59820	9	38
124550-59830	9	37
124550-66370	12	58
124550-77030	15	31
124701-11911	6	10
		23
		24
	17	20
		20 -1
124736-07900	4	5
124766-59050	13	56
	14	16
		35
124950-11340	4	21
	17	12
124950-51190	11	17
129001-01250	1	12 -1
129001-32001	9	1
129001-35300	9	27
129001-91840	2	21
129001-91841	2	21 -1
129003-22950	8	37

Parts No. Index

Parts No.	Fig. No.	Ref. No.
129030-12201	5	24
129030-44510	10	31
129030-44520	10	31 -1
129030-44760	10	20
129052-55630	14	42
129052-61050	12	5
129052-61060	12	6
129052-61070	12	7
129052-61390	12	30
129052-61500	12	31
129052-61540	12	46
129053-55620	14	1 A
129100-01580	3	1
	8	2
	14	14
	8	2
129100-25061	7	9
129100-52200	11	93
129100-59951	13	42
129100-61400	12	16
129100-61440	12	75
129100-61650	12	76
129100-61930	12	79
129100-77500	5	17
129100-77510	5	18
	17	19
129107-55510	14	6 A
129108-51100	11	11
129114-44740	10	60
129132-44520	10	35
129132-44590	10	45
129132-44901	10	47
129136-66810	16	16
129136-77100	16	13
129136-77251	16	8
129150-02450	7	4
129150-03020	4	42
129150-03070	4	43
129150-03080	4	44
129150-03100	2	11
129150-11230	4	34
129150-11280	4	32
129150-11750	4	36
129150-14101	7	7
129150-14200	7	1
129150-21200	8	5
129150-25101	7	10
129150-25301	7	19
129150-25900	7	15
129150-25920	7	13
129150-25931	7	20

Parts No.	Fig. No.	Ref. No.
129150-32020	9	14
	17	13
129150-35041	9	18
	17	14
129150-35101	9	24
129150-35111	9	25
	17	15
129150-35151	9	26
129150-35350	9	28
129150-42020	10	14
	17	16
129150-42320	10	11
129150-49080	10	51
129150-49100	10	50
129150-49360	10	30
	17	22
129150-49811	10	25
	17	18
129150-59120	13	51
129150-59131	13	23
		54
129150-59580	13	41
129150-77511	5	19
	17	9
129155-11260	4	30
129155-11270	4	31
129155-49800	10	24
129155-51020	11	5
129155-51050	11	8
129155-51060	11	9
129155-51140	11	14
129155-51180	11	16
129155-51200	11	18
129155-51270	11	25
129155-51280	11	26
	12	2
129155-51320	11	30
129155-51340	11	31
129155-51370	11	34
129155-51380	11	35
129155-51390	11	36
129155-51400	11	37
129155-51410	11	38
129155-51420	11	39
129155-51450	11	40
129155-51500	11	45
129155-51521	11	46
129155-51530	11	47
129155-51540	11	48
129155-51550	11	49

Parts No.	Fig. No.	Ref. No.
129155-51570	11	52
129155-51580	11	53
129155-51591	11	54
129155-51600	11	55
129155-51700	11	74
129155-51701	11	74 -1
129155-51710	11	75
129155-51711	11	75 -1
129155-51750	11	76
129155-51751	11	76 -1
129155-51760	11	77
129155-51790	11	78
129155-51930	11	80
129155-51940	11	81
129155-52050	11	94
129155-61120	12	8
129155-61130	12	9
129155-61140	12	10
129155-61201	12	11
129155-61202	12	11 -1
129155-61341	12	15
129155-61350	12	105
129155-61360	12	106
129155-61430	12	19
129155-61450	12	23
129155-61460	12	24
129155-61470	12	80
129155-61480	12	25
129155-61830	12	107
129155-61950	12	57
129156-51910	11	79
129208-51060	11	9 A
129208-54500	11	90 A
129210-59040	14	15
129210-59130	13	55
129211-77920	16	15 -1
129259-12570	5	8
		29
129322-77401	14	38
129335-55700	14	19
129350-49560	10	22
129400-01520	2	5
129400-77012	15	1
129400-77441	15	5
129400-77520	15	12
129400-77531	15	13
129400-77571	15	17
129400-92420	17	31
129403-42380	10	18
129411-55690	14	11

Parts No.	Fig. No.	Ref. No.
129457-44760	10	61
129486-01670	3	18
129486-42050	10	14 -1
	17	16 -1
129486-61201	12	11 -2
129486-61540	12	46 -1
129486-77400	15	2
129486-77460	15	6
		8
129486-77470	15	7
129486-77490	15	9
129500-53050	13	2
129505-51300	11	27
129555-59510	14	17
129556-42350	10	58
129574-49800	10	24 -1
129612-01600	3	2
129612-12560	5	35
129612-12680	5	27
129612-12690	5	7
		28
129612-77260	16	10
129612-77700	16	2
129612-77710	16	3
129612-77730	16	5
129612-77740	16	6
129612-77750	16	7
129792-22400	8	24
129795-01800	2	4
129795-01950	2	10
129795-02411	1	21
129795-21661	8	10
129795-49551	10	23
	17	17
129900-07900	4	5 -1
129900-77460	15	10
129900-77640	15	18
158552-61900	12	66 -1
171008-77410	15	3
171008-77420	15	4
171008-77510	15	11
171008-77540	15	14
171008-77650	15	19
171008-77660	15	20
171008-77670	15	21
171031-11741	2	28
		32
171051-01921	1	6
171064-44510	10	38
171081-55910	14	31

Parts No. Index

Parts No.	Fig. No.	Ref. No.
171301-21650	8	9
171325-21590	8	13
171340-77520	5	20
171353-61550	12	81
171353-61710	12	77
174307-51170	11	15
174307-51560	11	51
174307-51700	12	32
198072-04320	14	41
22117-040000	12	59
22137-100000	6	19
22190-060003	12	60
22190-080002	2	23
		24
	9	39
		40
22190-100002	9	41 -1
	12	61
22190-120002	12	62
	13	50 -1
	14	18
	17	23
		24 -1
22190-160002	11	90
22190-220002	3	11
22217-050000	11	95
22217-060000	11	82
22217-100000	6	20
22217-120000	7	16
	11	90 C
22287-120000	12	63
22351-040010	8	8
22351-050010	11	83
22351-060012	4	53
22372-040000	12	64
22512-070140	7	8
	8	6
23000-048000	5	26
23000-060000	5	14
		26 -1
		36
23010-038000	10	57
23065-070225	10	43
23065-160800	4	1
23414-100000	9	41
23414-120000	13	50
	17	24
23418-060000	14	32
23871-010000	1	10
23871-030000	10	12

Parts No.	Fig. No.	Ref. No.
23876-010000	1	10 -1
23876-030000	10	12 -1
23887-100002	12	65
24101-063034	11	84
24311-000120	4	52
	17	25
24311-000160	2	13
	9	29
	17	26
24311-000300	2	34
24311-000320	2	14
		29
		35
	4	59
24311-240100	14	4
		33
24341-000160	11	85
24341-000240	2	26
24341-000280	12	66
24341-000500	4	49
25132-003700	10	59
26013-080222	5	15
		16
26014-080162	10	37
26014-080752	14	40
26014-080852	14	12
26022-050102	11	86
26022-050122	11	86 -1
26022-060162	11	87
26106-060102	12	67
		68
		69
26106-060142	12	70
26106-060162	2	27
26106-060202	12	71
26106-060322	15	28
26106-060402	15	29
26106-060452	10	62
26106-060552	10	21
26106-080122	2	15
26106-080142	4	6
	7	18
26106-080162	2	16
		17
	3	12
	4	6 -1
		50
26106-080202	2	18
	9	30
	10	26

Parts No.	Fig. No.	Ref. No.
26106-080252	4	38
	5	4
26106-080352	3	19
	9	23
	10	15
26106-080402	5	21
26106-080452	2	19
	3	13
	7	14
26106-080502	4	39
26106-080552	2	20
	10	16
26106-080602	6	4
26106-080802	5	22
	6	5
26106-100162	6	14
26106-100652	6	21
26116-050302	11	88
26116-120252	15	30
26206-100252	3	4
26206-100302	3	5
26216-060302	4	13
26216-080602	6	7
26216-080802	6	9
26226-080182	4	37
26366-060002	4	54
26366-080002	2	22
	6	3
		13
		25
	12	74
26450-060252	9	15
26706-100002	6	22
26716-060002	11	89
26716-120002	7	17
	11	90 D
26756-060002	12	72
26776-120002	12	73
27231-500000	1	12
27241-120000	1	13
27241-300000	1	14
27241-400000	4	14
27310-070001	4	19
28110-100120	17	29
28110-140170	17	30
719810-01500	2	1
719810-01650	3	15
719810-11520	4	40
719810-11521	4	40 -1
719810-11660	4	33

Parts No.	Fig. No.	Ref. No.
719810-23100	8	25
719812-92650	17	1
719812-92651	17	1 -1
719813-01560	1	1
719823-51410	11	1
719824-51470	11	1 A
729500-53200	13	1
977770-01212	2	30
	3	20
	17	32
X2114555500	15	25
X2114955020	15	26
X2240410100	15	27