

0CD10-M68502EN

PREFACE

1.This parts catalog is the Third edition of 4TNE88-TB, TB1, ETB, ETB1, ETBZ, for Takeuchi Mfg. Co., Ltd.

2. Parts catalog history

	Parts catalog No,	Date of issue	Remarks
1st. edition	000Y00D6850	May.1999	Abolish old edition
2nd. edition	000Y00D6851	November.2000	Abolish old edition
3rd. edition	000Y00D6852	September.2002	

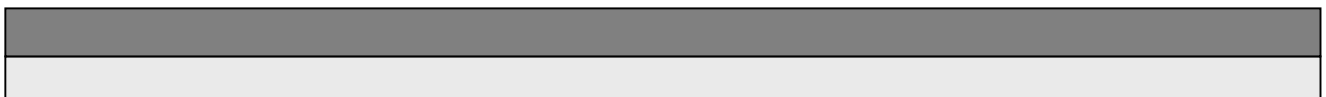
3.This parts catalog dose not contain the technical data needed for maintenance service

4.The illustrations used in this parts catalog have been simplified for clarity.

5. Model name

Engine model	Vehicle		Vehicle made by
	Products	Model name	
4TNE88-TB	EXCAVATOR	A9C	Takeuchi Mfg. Co., Ltd.
4TNE88-TB1			
4TNE88-ETB			
4TNE88-ETB1		F10	
4TNE88-ETBZ			

6.The contents of this parts catalog are subject to change without prior notice.



Directions for the Parts Catalog.

1. The parts stipulated in this Parts Catalog are not necessarily standard equipped parts.
2. Parts may change without prior notice.
3. The following is an example of the Parts Catalog format.

REF.	LEV.	PARTS NO.	DESCRIPTION	Q'TY						I	R
				(A)	(B)	(C)	(D)	(E)	(F)		
1	1	729595-51390	FUEL INJECTION PUMP	1	1	1	1	1			1
1-1	1	729595-51391	FUEL INJECTION PUMP	1	1	1	1	1		N	1
		(A=E00185) (B=E00200)									
3	2	26022-060162	SCREW M 6X 16	9	9	9	9	9			
3-1	2	26022-060162	SCREW M 6X 16	4	4	4	4	4		K	
		(A=E00156) (B=E00156) (C=E00156) (D=E00156) (E=E00156)									
4	2	129470-51040	CAMSHAFT	1	1	1	1	1			
5	2	122710-51050	BEARING, ROLLER	2	2	2	2	2			
6	2	129470-51060	RETAINER	1	1	1	1	1			

Remarks
(1) BOOST COMPEMSATOR TYPE. OPTIONAL PART, TO E00155,(4JH-DT, 4JH-DTZ

① Ref. No.

The Ref. No. listed may not be in accordance with the illustration Ref. No.

(Ex.) Illustration No.

List Ref No.

1

1

(Before change)

1-1

(After change)

For interchangeable symbols N, R and K, illustrations for new parts may be abbreviated.

② Lev. (Level)

Level indication

The numbers below indicate the level of relativity towards the main part.

1 ----- Main parts (Assembly parts)

2 ----- Sub component included in " 1 ".

3 ----- Sub component included in " 2 ".

Note) Parts that are not for sale are partially illustrated but not listed.

③ Interchangeability Mark

When a part change takes place, one of the following interchangeability symbols is indicated beside the part.

Symbol	Interchangeability	Contents note
N	Old $\begin{matrix} \leftarrow \text{Yes} \\ \text{No} \rightarrow \end{matrix}$ New	New Part is interchangeable for Old Part but Old Part is not interchangeable for New Part.
Q	Old $\begin{matrix} \leftarrow \text{No} \\ \text{Yes} \rightarrow \end{matrix}$ New	New Part is not interchangeable for Old Part but Old Part is interchangeable for New Part.
R	Old $\begin{matrix} \leftarrow \text{Yes} \\ \text{Yes} \rightarrow \end{matrix}$ New	New/ Old Parts are both interchangeable.
S	Old $\begin{matrix} \leftarrow \text{No} \\ \text{No} \rightarrow \end{matrix}$ New	New/ Old Parts are both not interchangeable.
W		Part newly added.
Z		Part discontinued.
F		Not interchangeable by a single part but interchangeable together with related parts.
K		Changes only for used parts quantities.

④ Effective Machine No.

When a part changes, the effective Machine No. will be indicated in the (A)-(F) column.

Product Symbol	Product No.	Product Symbol	Product No.
C	Clutch No. Compressor No.	F	Machine No. (Agricultural Equip.)
D	Drive No.	M	Machine No.
E	Engine No.		

Note 1) A date may follow the symbol. (Ex.) 1996.01

Note 2) "XXXXX" and "ZZZZZ" are for parts that could not be predicted or for engine models that could not be identified.

Note 3) (A=E00185) is the E (Engine Serial Number) for the column (A) model (in this case 4JH-DT) after the parts design change.

⑤ Remarks Mark

Figures or alphabets (symbols) are entered in the remarks column.

The comments (remarks) on parts that are indicated at the bottom of the illustration are the same symbols as those stated above.

Contents

OCD10-M68502

Fig. No. Fig. Name

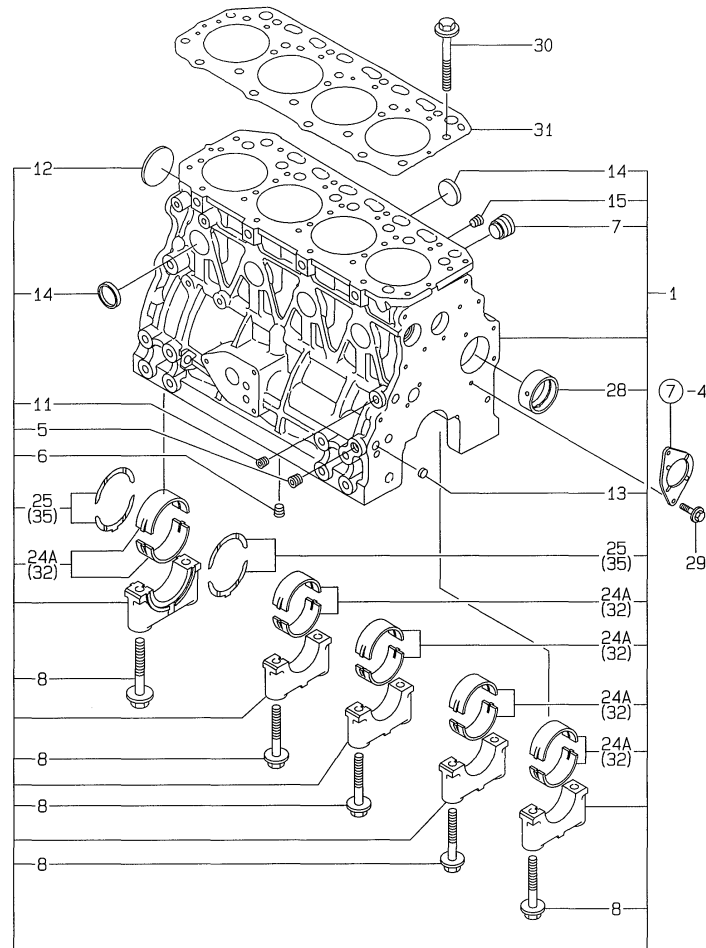
Fig. No. Fig. Name

1. CYLINDER BLOCK
2. GEAR HOUSING
3. FLYWHEEL HOUSING & OIL SUMP
4. CYLINDER HEAD & BONNET
5. SUCTION MANIFOLD & AIR CLEANER
6. EXHAUST MANIFOLD & SILENCER
7. CAMSHAFT & DRIVING GEAR
8. CRANKSHAFT & PISTON
9. LUB.OIL SYSTEM
10. COOLING WATER SYSTEM
11. FUEL INJECTION PUMP
12. GOVERNOR
13. FUEL INJECTION VALVE
14. FUEL LINE
15. STARTING MOTOR
16. GENERATOR
17. GASKET SET

Fig.1. CYLINDER BLOCK

(A)=4TNE88-TB
(B)=4TNE88-TB1
(C)=4TNE88-ETB

(D)=4TNE88-ETB1
(E)=4TNE88-ETBZ
(F)=



No.	Lev.	Parts No.	Description	Q'ty						I	R
				(A)	(B)	(C)	(D)	(E)	(F)		
1	1	729407-01561	BLOCK ASSY, CYLINDER	1	1	1	1	1			
5	2	124160-01910	PLUG, PT1/4	2	2	2	2	2			
6	2	124160-01910	PLUG, PT1/4	1	1	1	1	1			
7	2	171051-01921	PLUG, NPTF1	1	1	1	1	1			
8	2	129150-02020	BOLT, METAL CAP	10	10	10	10	10			
11	2	23871-010000	PLUG, R01	1	1	1	1	1			
11-1	2	23876-010000	PLUG, R01	1	1	1	1	1		N	
		(A=EXXX) (B=EXXX) (C=EXXX) (D=EXXX)									
12	2	27231-500000	PLUG 50	1	1	1	1	1			
12-1	2	129001-01250	PLUG, 50	1	1	1	1	1		N	
		(A=EXXX) (B=EXXX) (C=EXXX) (D=EXXX)									
13	2	27241-120000	PLUG, 12	2	2	2	2	2			
14	2	27241-300000	PLUG 30	8	8	8	8	8			
15	2	23871-030000	PLUG, R03	1	1	1	1	1			
15-1	2	23876-030000	PLUG, R03	1	1	1	1	1		N	
		(A=EXXX) (B=EXXX) (C=EXXX) (D=EXXX)									
24A	2	129001-02930	BEARING, MAIN	5	5	5	5	5		W 3	
		(A=EXXX) (B=EXXX) (C=EXXX) (D=EXXX)									
25	2	129150-02930	BEARING, THRUST	2	2	2	2	2			
28	2	129795-02411	BUSH, CAMSHAFT	1	1	1	1	1			
29	1	26106-080162	BOLT, M8X 16 PLATED	2	2	2	2	2			
30	1	129150-01200	BOLT, HEAD	18	18	18	18	18			
31	1	129407-01340	GASKET, HEAD	1	1	1	1	1			
32	1	129150-02870	BEARING, 0.25 US	5	5	5	5	5		1	
35	1	129150-02940	BEARING, THRUST 0.25	1	1	1	1	1		2	

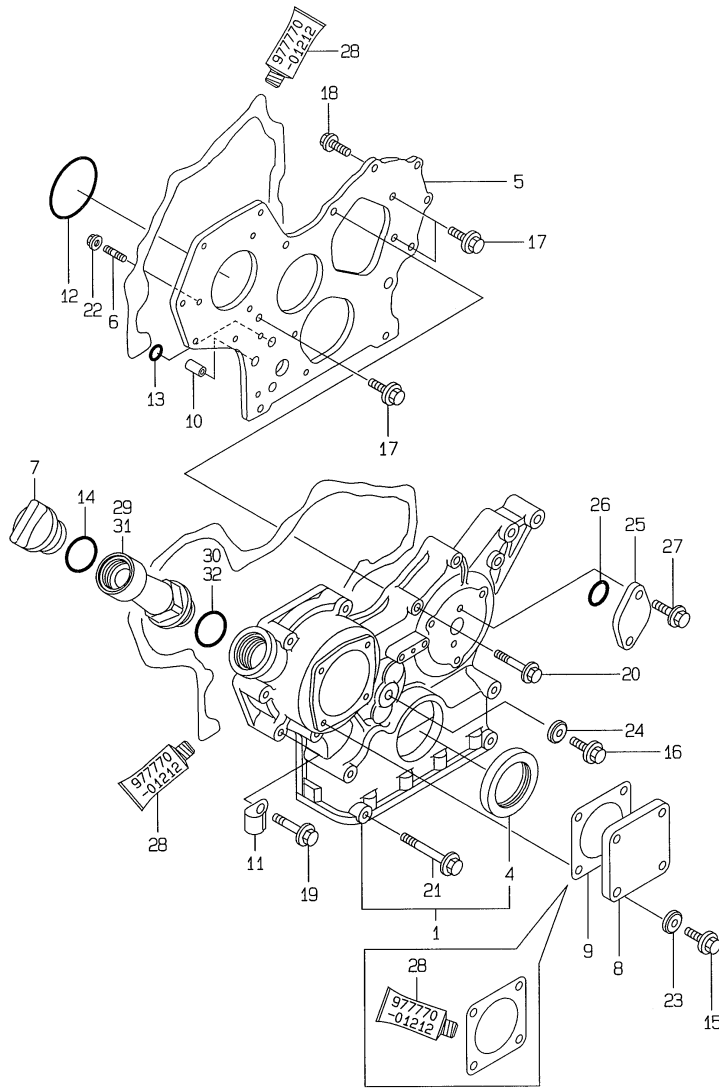
Remarks

- (1) UNDER-SIZED(U.S=0.25)PART.
- (2) OVER-SIZED(O.S=0.25)PART.
- (3) REPAIR PART.

Fig.2. GEAR HOUSING

(A)=4TNE88-TB
(B)=4TNE88-TB1
(C)=4TNE88-ETB

(D)=4TNE88-ETB1
(E)=4TNE88-ETBZ
(F)=



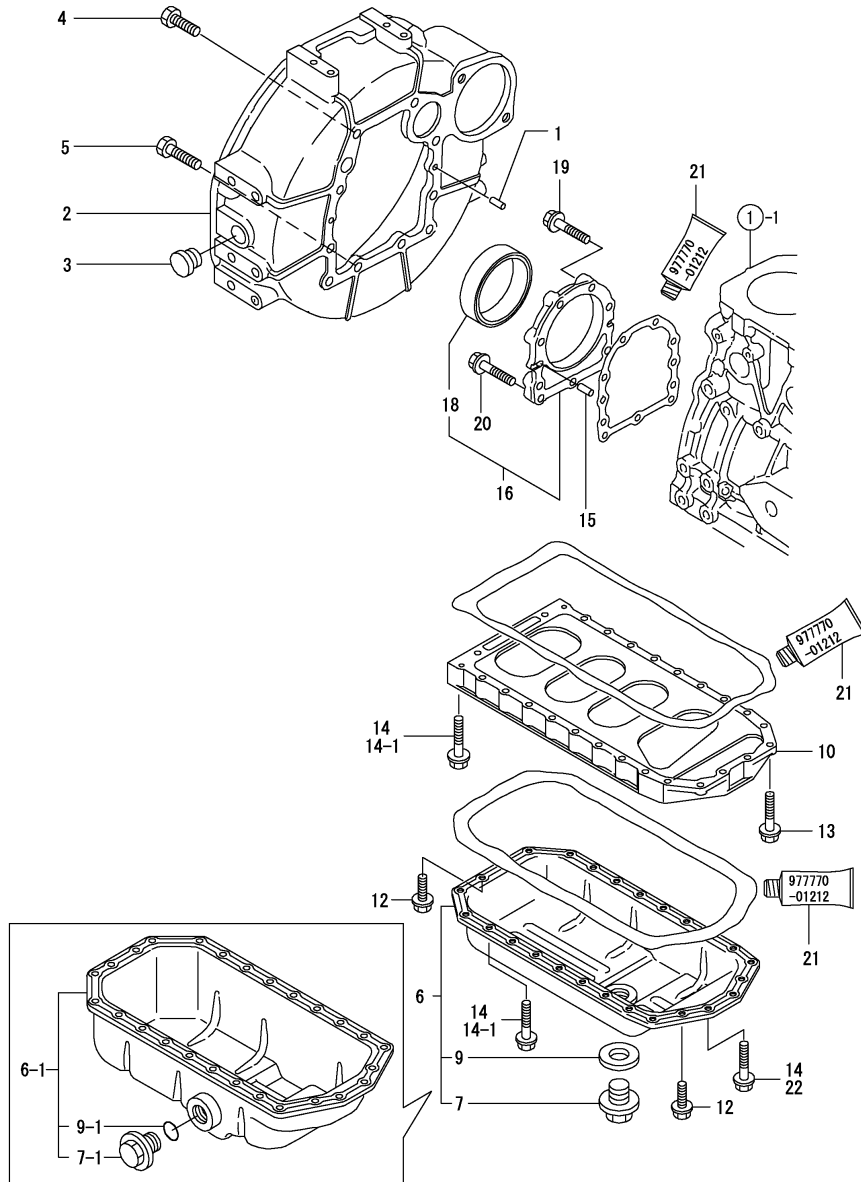
No.	Lev.	Parts No.	Description	Q'ty						I	R
				(A)	(B)	(C)	(D)	(E)	(F)		
1	1	719810-01500	CASE ASSY, GEAR	1	1	1	1	1			
4	2	129795-01800	SEAL, OIL	1	1	1	1	1			
5	1	129400-01520	FLANGE, GEAR CASE	1	1	1	1	1			
6	1	121450-01560	STUD, M8X22	3	3	3	3	3			
7	1	124160-01751	COVER, FILLER	1	1	1	1	1			
8	1	124240-01871	COVER	1	1	1	1	1			
9	1	124240-01883	GASKET	1	1	1	1			Z	
10	1	129795-01950	PIPE, KNOCK L=18	2	2	2	2	2			
11	1	129150-03100	RETAINER, PIPE	1	1	1	1	1			
12	1	121850-51960	O-RING	1	1	1	1	1			
13	1	24311-000160	O-RING, 1AP16.0	2	2	2	2	2			
13-1	1	119609-32040	O-RING, P16	2	2	2	2	2		R	
14	1	24311-000320	O-RING, 1AP32.0	1	1	1	1	1			
15	1	26106-080122	BOLT, M8X 12 PLATED	4	4	4	4	4			
16	1	26106-080162	BOLT, M8X 16 PLATED	1	1	1	1	1			
17	1	26106-080162	BOLT, M8X 16 PLATED	3	3	3	3	3			
18	1	26106-080202	BOLT, M8X 20 PLATED	2	2	2	2	2			
19	1	26106-080452	BOLT, M8X 45 PLATED	6	6	6	6	6			
20	1	26106-080552	BOLT, M8X 55 PLATED	3	3	3	3	3			
21	1	129001-91840	BOLT, M8X85	4	4	4	4	4			
21-1	1	129001-91841	BOLT, M8X85	4	4	4	4	4		R	
22	1	26366-080002	NUT, M8	3	3	3	3	3			
22-1	1	26306-080002	NUT, M8	3	3	3	3	3		N	
23	1	22190-080002	WASHER, SEAL 6	4	4	4	4	4			
24	1	22190-080002	WASHER, SEAL 6	1	1	1	1	1			
25	1	121023-01550	COVER	1	1	1	1	1			
26	1	24341-000240	O-RING, 1AS24.0	1	1	1	1	1			
27	1	26106-060162	BOLT, M6X 16 PLATED	2	2	2	2	2			
28	1	97770-01212	GASKET, LIQUID	1	1	1	1	1		1	
29	1	171031-11741	PIPE	1						Z	
30	1	24311-000320	O-RING, 1AP32.0	1						Z	
31	1	171031-11741	PIPE					1		W	
32	1	24311-000320	O-RING, 1AP32.0					1		W	

Remarks
(1) OPTIONAL PART.

Fig.3. FLYWHEEL HOUSING & OIL SUMP

(A)=4TNE88-TB
(B)=4TNE88-TB1
(C)=4TNE88-ETB

(D)=4TNE88-ETB1
(E)=4TNE88-ETBZ
(F)=

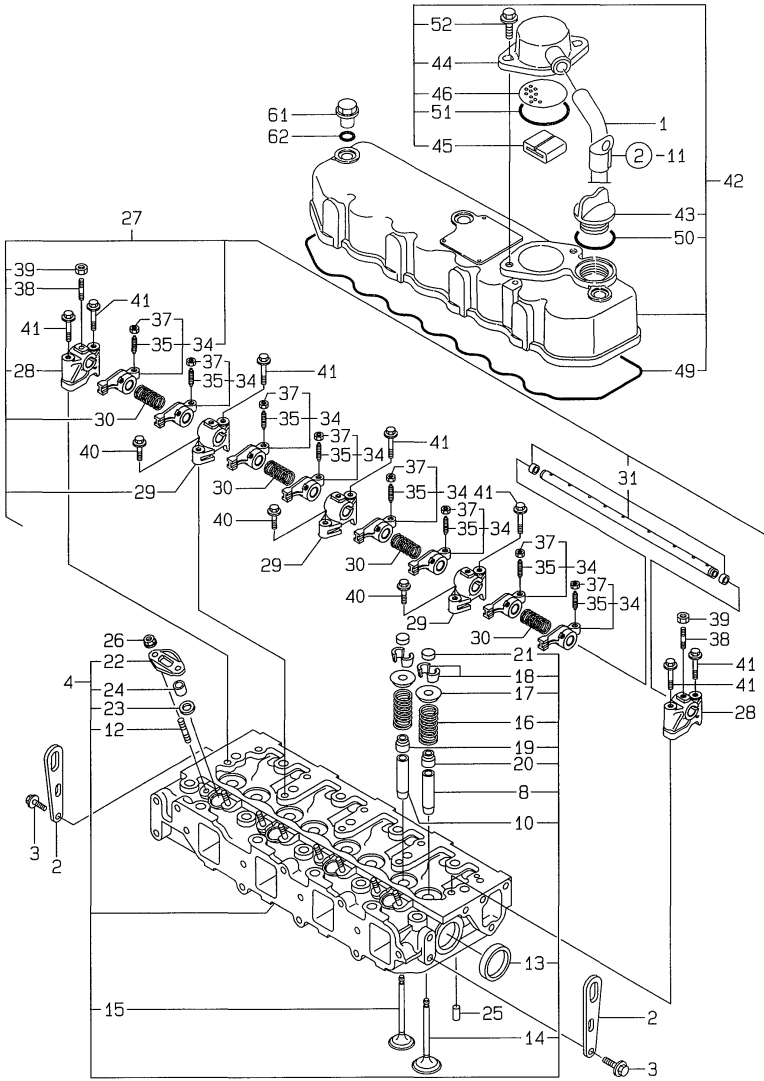


No.	Lev.	Parts No.	Description	Q'ty						I	R
				(A)	(B)	(C)	(D)	(E)	(F)		
1	1	129100-01580	PIN, M8X16	2	2	2	2	2			
2	1	129612-01600	HOUSING, FLYWHEEL	1	1	1	1	1			
3	1	119620-01750	CAP	1	1	1	1	1			
4	1	26206-100252	BOLT, M10X 25 PLATED	6	6	6	6	6			
5	1	26206-100302	BOLT, M10X 30 PLATED	4	4	4	4	4			
6	1	729402-01540	SUMP ASSY, OIL	1							
6-1	1	129400-01770	SUMP ASSY, OIL	1	1	1	1	1		N	
		(A=E38541)									
6-2	1	129688-01780	OIL PAN ASSY, DEEP			1	1	1		N 2	
		(C=REF. TO R) (D=REF. TO R) (E=REF. TO R)									
7	2	119640-01640	PLUG, DRAIN M22	1							
7-1	2	171301-01640	PLUG, 22	1	1	1	1	1		S	
		(A=E38541)									
9	2	22190-220002	WASHER, SEAL 22	1							
9-1	2	24341-000250	O-RING, 1AS25.0	1	1	1	1	1		S	
		(A=E38541)									
10	1	129400-01730	SPACER, OIL SUMP	1	1	1	1	1			
12	1	26106-080162	BOLT, M8X 16 PLATED	4	4	4	4	4			
13	1	26106-080252	BOLT, M8X 25 PLATED	2	2	2	2	2			
14	1	26106-080452	BOLT, M8X 45 PLATED	24	24	24	24	24			
14-1	1	26106-080452	BOLT, M8X 45 PLATED	16	16	16	16	16		K	
		(A=FROM 1ST) (B=FROM 1ST) (C=FROM 1ST) (D=FROM 1ST) (E=FROM 1ST)									
15	1	129100-01580	PIN, M8X16	2	2	2	2	2			
16	1	129100-01640	CASE ASSY, OIL SEAL	1	1	1	1	1			
18	2	129795-01780	SEAL, OIL	1	1	1	1	1			
19	1	129486-01670	BOLT, M8X30	6	6	6	6	6			
20	1	26106-080352	BOLT, M8X 35 PLATED	3	3	3	3	3			
21	1	977770-01212	GASKET, LIQUID	1	1	1	1	1		1	
22	1	26106-080502	BOLT, M8X 50 PLATED	4	4	4	4	4		W	
		(A=FROM 1ST) (B=FROM 1ST) (C=FROM 1ST) (D=FROM 1ST) (E=FROM 1ST)									

Remarks

- (1)Optional parts.
- (2)For repair.

Fig.4. CYLINDER HEAD & BONNET



(A)=4TNE88-TB
(B)=4TNE88-TB1
(C)=4TNE88-ETB

(D)=4TNE88-ETB1
(E)=4TNE88-ETBZ
(F)=

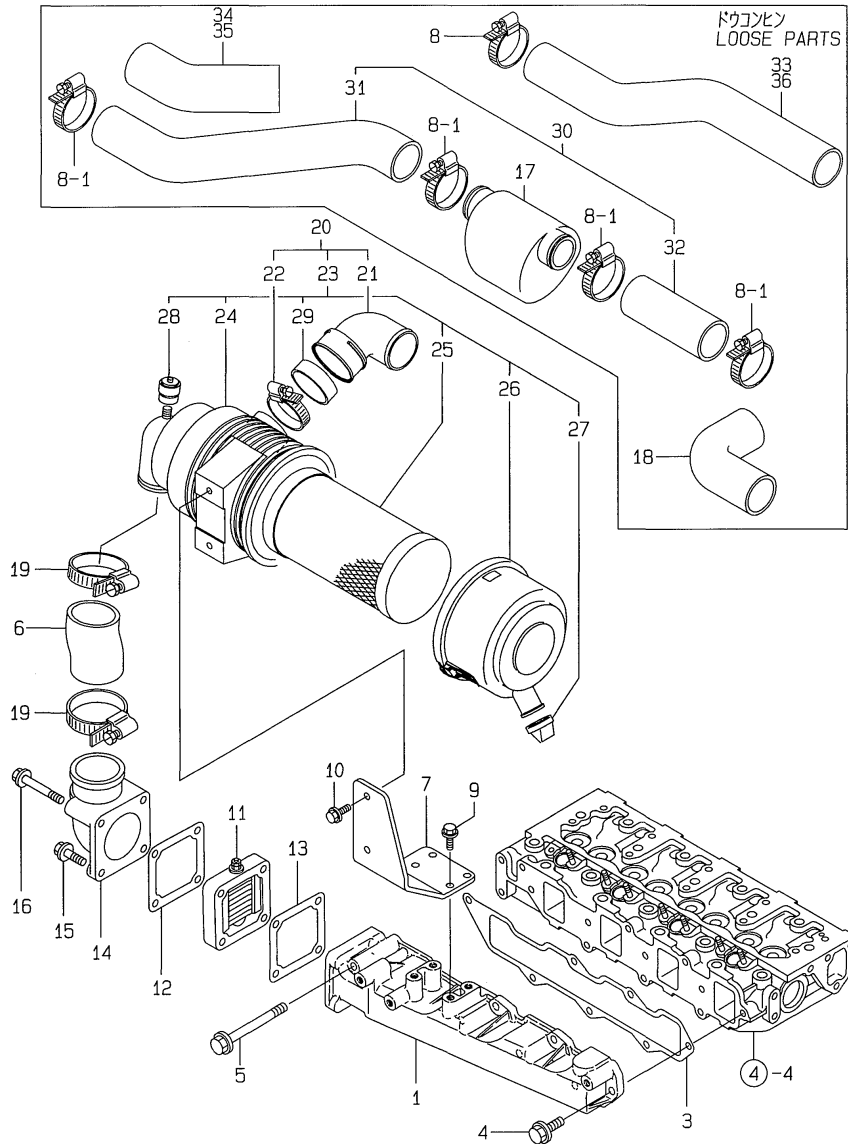
No.	Lev.	Parts No.	Description	Q'ty						I	R
				(A)	(B)	(C)	(D)	(E)	(F)		
1	1	171350-03090	PIPE , BREATHER 900	1	1	1	1	1			
2	1	124736-07900	LIFTER	2	2	2	2	2			
3	1	26106-080142	BOLT, M8X 14 PLATED	4	4	4	4	4			
4	1	129407-11700	HEAD ASSY, CYLINDER	1	1	1	1	1			
8	2	120130-11860	GUIDE, VALVE	4	4	4	4	4		1	
10	2	129150-11810	GUIDE, VALVE	4	4	4	4	4		1	
12	2	26216-060202	STUD, M6X 20	8	8	8	8	8			
13	2	27241-400000	PLUG, 40	2	2	2	2	2			
14	2	129100-11100	VALVE, INTAKE	4	4	4	4	4			
15	2	129100-11110	VALVE, EXHAUST	4	4	4	4	4			
16	2	129795-11120	SPRING, VALVE	8	8	8	8	8			
17	2	129795-11180	RETAINER, SPRING	8	8	8	8	8			
18	2	27310-080001	COTTER, 8	8	8	8	8	8			
19	2	121400-11340	SEAL, VALVE STEM	4	4	4	4	4			
20	2	124460-11340	SEAL, VALVE STEM	4	4	4	4	4			
21	2	129150-11370	CAP, VALVE	8	8	8	8	8			
22	2	119625-11900	RETAINER, NOZZLE	4	4	4	4	4			
23	2	119625-11880	SEAT, NOZZLE	4	4	4	4	4			
24	2	119625-11870	PROTECTOR, NOZZLE	4	4	4	4	4			
25	1	22351-060012	PIN, SPRING 6.0X12	2	2	2	2	2			
26	1	26366-060002	NUT, M6	8	8	8	8	8			
27	1	129500-11240	SHAFT ASSY, ROCKER	1	1	1	1	1			
28	2	129155-11260	SUPPORT, ROCKER ARM	2	2	2	2	2			
29	2	129155-11270	SUPPORT, ROCKER ARM	3	3	3	3	3			
30	2	129150-11280	SPRING	4	4	4	4	4			
31	2	129550-11290	SHAFT, ROCKER ARM	1	1	1	1	1			
34	2	129100-11650	ARM, ROCKER	8	8	8	8	8			
35	3	129150-11230	SCREW, VALVE ADJUST	8	8	8	8	8			
37	3	129150-11750	NUT, M8	8	8	8	8	8			
38	2	26226-080182	STUD, M8X 18	3	3	3	3	3			
38-1	2	119802-11280	STUD	3	3	3	3	3		R	
		(A=EXXX)	(B=EXXX)	(C=EXXX)	(D=EXXX)	(E=EXXX)					
39	2	26756-080002	NUT, LOCK M8	3	3	3	3	3			
40	1	26106-080252	BOLT, M8X 25 PLATED	3	3	3	3	3			
41	1	26106-080502	BOLT, M8X 50 PLATED	7	7	7	7	7			
42	1	129400-11350	BONNET ASSY, HEAD	1	1	1	1	1			
43	2	124160-01751	COVER, FILLER	1	1	1	1	1			
44	2	129150-03020	COVER, BREATHER	1	1	1	1	1			
45	2	129150-03070	BAFFLE, BREATHER	1	1	1	1	1			
46	2	129150-03080	PLATE, BAFFLE	1	1	1	1	1			
49	2	129550-11310	GASKET, BONNET	1	1	1	1	1			
50	2	24311-000320	O-RING, 1AP32.0	1	1	1	1	1			
51	2	24341-000500	O-RING, 1AS50.0	1	1	1	1	1			
52	2	26106-080162	BOLT, M8X 16 PLATED	2	2	2	2	2			
61	1	124160-11360	KNOB	3	3	3	3	3			
62	1	24311-000120	O-RING, 1AP12.0	3	3	3	3	3			

Remarks
(1) REPAIR PART.

Fig.5. SUCTION MANIFOLD & AIR CLEANER

(A)=4TNE88-TB
(B)=4TNE88-TB1
(C)=4TNE88-ETB

(D)=4TNE88-ETB1
(E)=4TNE88-ETBZ
(F)=



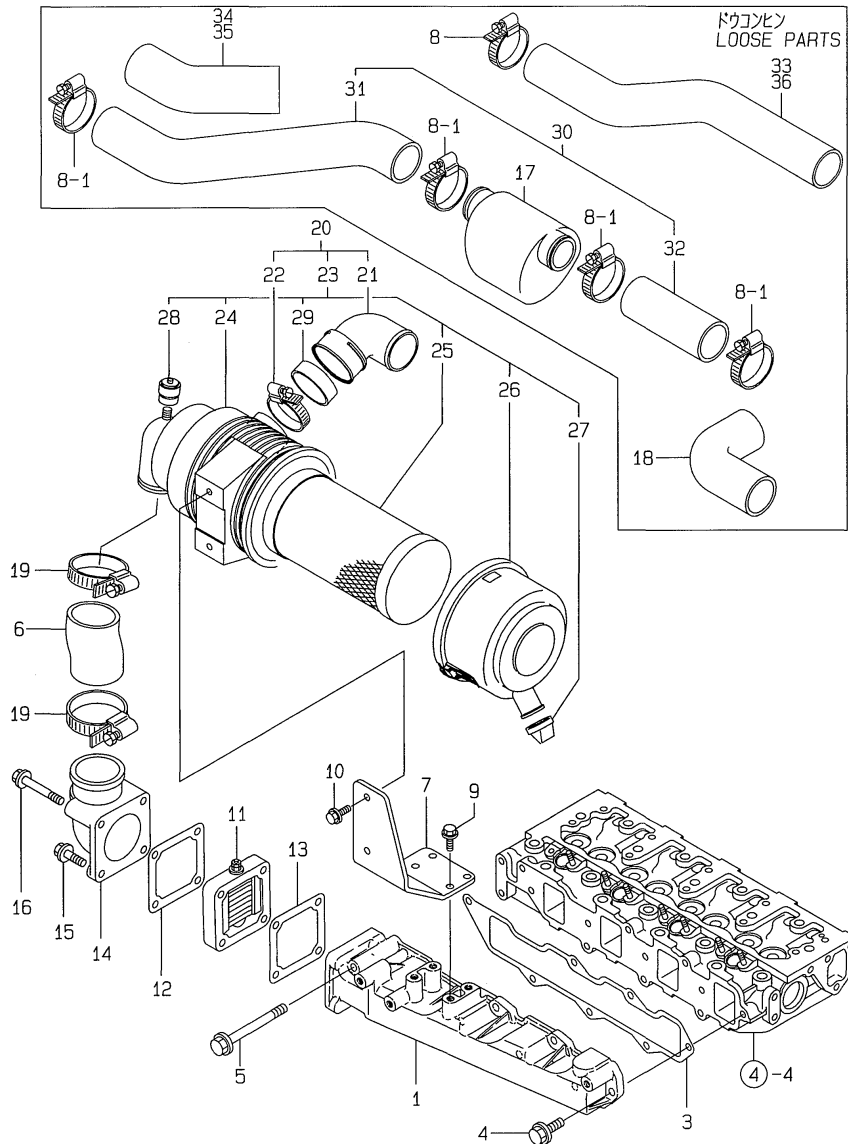
No.	Lev.	Parts No.	Description	Q'ty						I	R
				(A)	(B)	(C)	(D)	(E)	(F)		
1	1	129407-12100	MANIFOLD, AIR INTAKE	1	1	1	1	1			
3	1	129407-12110	GASKET, MANIFOLD	1	1	1	1	1			
4	1	26106-080202	BOLT, M8X 20 PLATED	6	6	6	6	6			
5	1	26106-080802	BOLT, M8X 80 PLATED	1	1	1	1	1			
6	1	119910-12210	PIPE, AIR INTAKE	1	1	1	1	1			
7	1	119910-12560	BRACKET, AIR CLEANER	1	1	1	1	1			
8	1	23000-060000	CLAMP, 60		2						
8-1	1	23000-060000 (A=E37950)	CLAMP, 60	6	6	6	6			K	
8-2	1	23000-060000 (A=E39207)	CLAMP, 60 (B=*1999.08) (C=E44619) (D=E44920)	5	5	5	5	3		K	
8-3	1	23000-060000	CLAMP, 60					2		K	
9	1	26013-080222	BOLT, M8X 22							(E=E69974)	
10	1	26013-080222	BOLT, M8X 22	4	4	4	4	4			
11	1	129100-77500	HEATER, AIR 12V	1	1	1	1	1			
12	1	129100-77510	GASKET	1	1	1	1	1			
13	1	129150-77511	GASKET	1	1	1	1	1			
14	1	171340-77520	BEND	1	1	1	1	1			
15	1	26106-080402	BOLT, M8X 40 PLATED	2	2	2	2	2			
16	1	26106-080802	BOLT, M8X 80 PLATED	2	2	2	2	2			
17	1	121855-12060 (A=E37950)	SILENCER ASSY	1	1	1	1	1		W	
18	1	119883-12210 (A=E37950)	PIPE, AIR INTAKE	1	1	1	1			W	
19	1	23000-060000	CLAMP, 60	2	2	2	2	2			
20	1	129612-12680	CLEANER ASSY, AIR	1	1	1	1	1			
20-1	1	129612-12681 (A=*2001.11) (B=*2001.11) (C=E68438) (D=E70363) (E=E69218)	CLEANER ASSY, AIR	1	1	1	1	1		N	
21	2	129612-12560	ELBOW	1	1	1	1	1			
22	2	23000-060000	CLAMP, 60	1	1	1	1	1			
23	2	129612-12690	CLEANER ASSY, AIR	1	1	1	1	1			
23-1	2	129612-12691 (A=*2001.11) (B=*2001.11) (C=E68438) (D=E70363) (E=E69218)	CLEANER ASSY, AIR	1	1	1	1	1		N	
24	3	119910-12510	BODY, AIR CLEANER	1	1	1	1	1			
25	3	119808-12520	ELEMENT	1	1	1	1	1			
26	3	119866-12541	COVER ASSY	1	1	1	1	1			
27	3	119808-12540	VALVE, UNLOADER	1	1	1	1	1			
28	3	119140-12680	INDICATOR	1	1	1	1	1			
28-1	3	129953-12620 (A=*2001.11) (B=*2001.11) (C=E68438) (D=E70363) (E=E69218)	INDICATOR ASSY	1	1	1	1	1		N	
29	3	129259-12570	RING	1	1	1	1	1			
30	1	129612-12241 (A=E37950)	PIPE, AIR INTAKE	1	1	1	1			W	
31	2	129612-12250 (A=E37950)	PIPE, AIR INTAKE	1	1	1	1			W	
32	2	129612-12260 (A=E37950)	PIPE, AIR INTAKE	1	1	1	1			W	
33	1	129132-12210	PIPE, AIR INTAKE	1							
33-1	1	129612-12240 (A=E37950)	PIPE, AIR INTAKE	1						N	

N:Old $\begin{matrix} \text{Yes} \\ \text{No} \end{matrix}$ New, Q:Old $\begin{matrix} \text{No} \\ \text{Yes} \end{matrix}$ New, R:Old $\begin{matrix} \text{Yes} \\ \text{No} \end{matrix}$ New, S:Old $\begin{matrix} \text{No} \\ \text{Yes} \end{matrix}$ New, W:Add, Z:Discontinued, F:Interchangeable by set, K:Q'ty Change
 ++ CONTINUE ++
 Copyright (C) YANMAR CO., LTD. All Rights Reserved.

Fig.5. SUCTION MANIFOLD & AIR CLEANER

(A)=4TNE88-TB
 (B)=4TNE88-TB1
 (C)=4TNE88-ETB

(D)=4TNE88-ETB1
 (E)=4TNE88-ETBZ
 (F)=

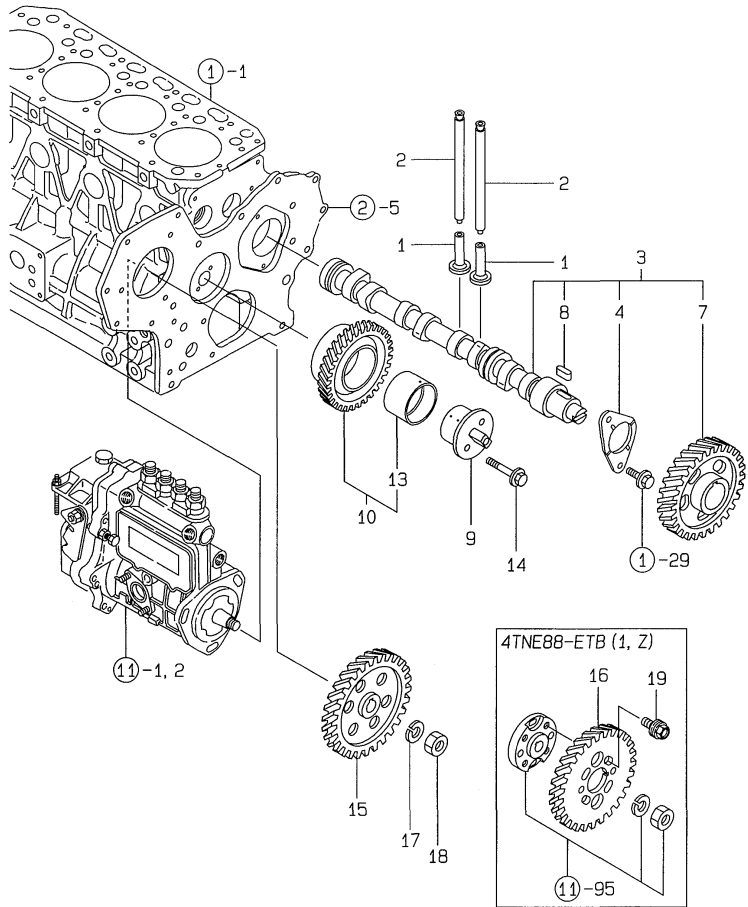


No.	Lev.	Parts No.	Description	Q'ty						I	R
				(A)	(B)	(C)	(D)	(E)	(F)		
33-2	1	129612-12240 (A=E37950)	PIPE, AIR INTAKE	1							Z
34	1	119869-12220 (A=E39207)	PIPE, AIR INTAKE	1							Z
35	1	119869-12220 (E=E69974)	PIPE, AIR INTAKE					1			Z
36	1	129612-12270	PIPE, AIR INTAKE						1		

Fig.7. CAMSHAFT & DRIVING GEAR

(A)=4TNE88-TB
 (B)=4TNE88-TB1
 (C)=4TNE88-ETB

(D)=4TNE88-ETB1
 (E)=4TNE88-ETBZ
 (F)=



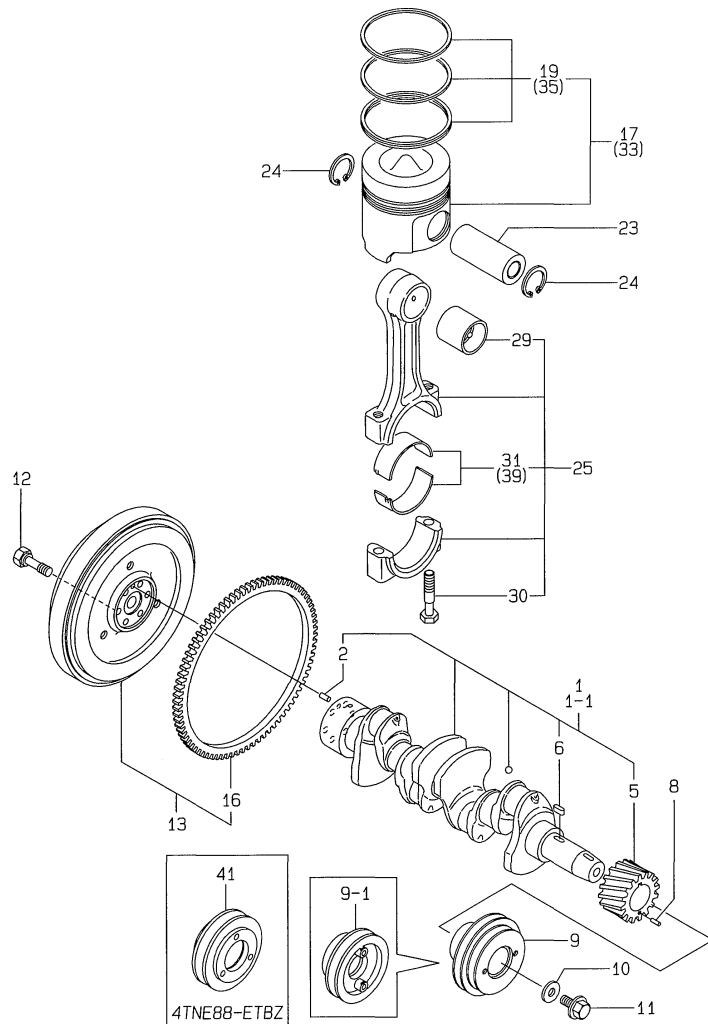
No.	Lev.	Parts No.	Description	Q'ty						I	R
				(A)	(B)	(C)	(D)	(E)	(F)		
1	1	129150-14200	TAPPET	8	8	8	8	8			
2	1	129150-14400	ROD, PUSH L=178	8	8	8	8	8			
3	1	729402-14580	CAMSHAFT ASSY	1	1	1	1	1			
4	2	129150-02450	BEARING, THRUST	1	1	1	1	1			
7	2	129150-14101	GEAR, CAMSHAFT	1	1	1	1	1			
8	2	22512-070140	KEY, 7X 14	1	1	1	1	1			
9	1	129100-25061	SHAFT, IDLE	1	1	1	1	1			
10	1	129150-25101	GEAR ASSY, IDLE	1	1	1	1	1			
13	2	129150-25920	BUSH, IDLE GEAR	1	1	1	1	1		1	
14	1	26106-080452	BOLT, M8X 45 PLATED	2	2	2	2	2			
15	1	129150-25900	GEAR, PUMP	1	1						
16	1	129150-25930	GEAR, PUMP			1	1				
16-1	1	129150-25931	GEAR, PUMP (C=E43700) (D=E43720)			1	1	1		R	
17	1	22217-120000	WASHER, SPRING 12	1	1						
18	1	26716-120002	NUT, M12	1	1						
19	1	129150-25301	BOLT			4	4	4			

Remarks
 (1) REPAIR PART.

Fig.8. CRANKSHAFT & PISTON

(A)=4TNE88-TB
 (B)=4TNE88-TB1
 (C)=4TNE88-ETB

(D)=4TNE88-ETB1
 (E)=4TNE88-ETBZ
 (F)=

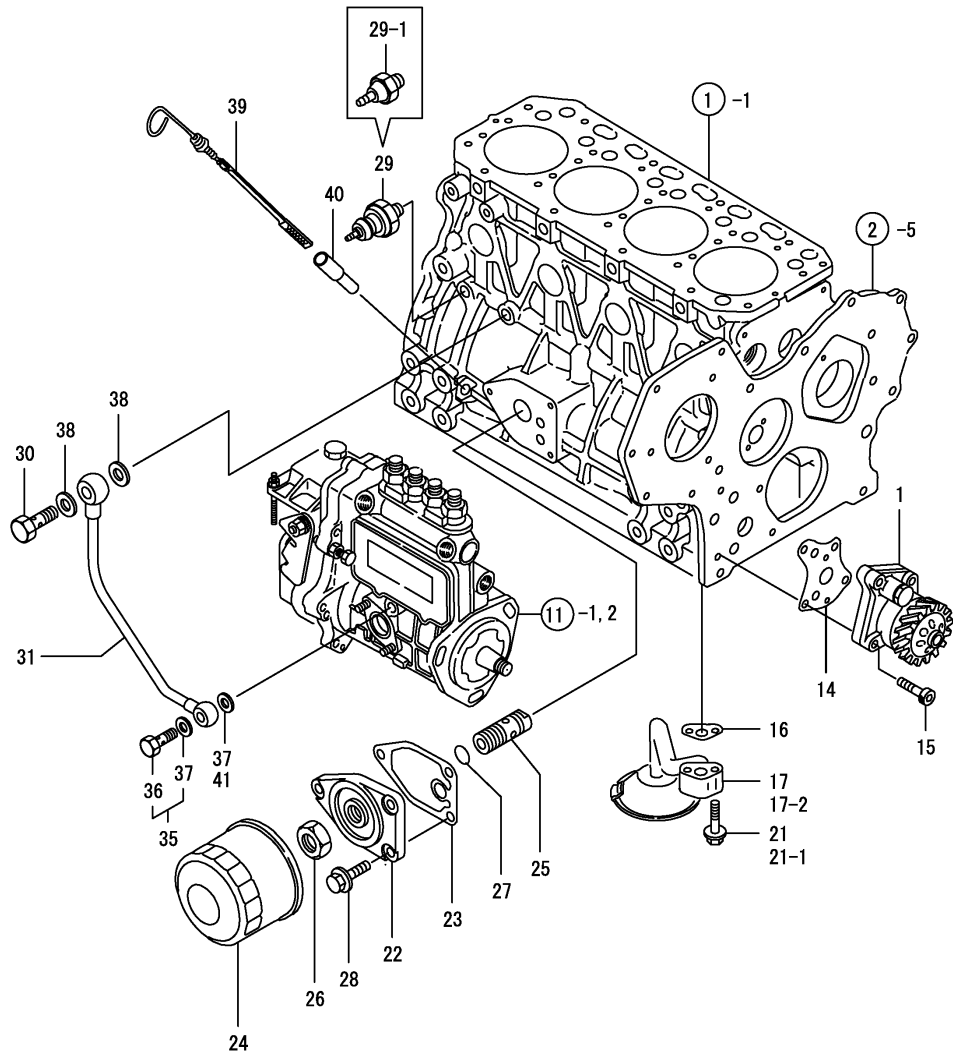


No.	Lev.	Parts No.	Description	Q'ty						I	R
				(A)	(B)	(C)	(D)	(E)	(F)		
1	1	129407-21000	CRANKSHAFT ASSY	1	1	1	1				
1-1	1	129407-21100	CRANKSHAFT ASSY	1	1	1	1	1			S
		(A=E39207) (B=*2000.06) (C=E53921) (D=E54367)									
2	2	129100-01580	PIN, M8X16	1	1	1	1	1			
5	2	129150-21200	GEAR, CRANKSHAFT	1	1	1	1	1			
6	2	22512-070140	KEY, 7X 14	1	1	1	1	1			
8	1	22351-040010	PIN, SPRING 4.0X10	1	1	1	1	1			
9	1	129466-21650	V-PULLEY	1							
9-1	1	129550-21650	V-PULLEY	1	1	1	1				N
		(A=E39207)									
10	1	129795-21661	WASHER	1	1	1	1	1			
11	1	121850-21680	BOLT	1	1	1	1	1			
12	1	121111-21501	BOLT, FLYWHEEL	6	6	6	6	6			
13	1	129612-21570	FLYWHEEL ASSY	1	1	1	1	1			
16	2	119865-21600	GEAR, RING	1	1	1	1	1			
17	1	129001-22081	PISTON ASSY	4	4	4	4	4			
19	2	129001-22500	RING SET, PISTON	4	4	4	4	4			
23	1	129202-22300	PIN, PISTON D26 L70	4	4	4	4	4			
24	1	22252-000260	RING, 26	8	8	8	8	8			
25	1	729402-23100	ROD ASSY, CONNECTING	4	4	4	4	4			
29	2	129100-23910	BEARING, PISTON PIN	4	4	4	4	4			1
30	2	121550-23200	BOLT, CONNECTING ROD	8	8	8	8	8			
31	2	129150-23600	BEARING, CRANK PIN	4	4	4	4	4			
33	1	129001-22901	PISTON ASSY, 0.25 OS	4	4	4	4	4			2
35	2	129001-22950	RING SET, 0.25 OS	4	4	4	4	4			2
39	1	129150-23610	BEARING, 0.25 US	4	4	4	4	4			3
41	1	171301-21650	V-PULLEY								1

Remarks

- (1) REPAIR PART.
- (2) OVER-SIZE (O.S=0.25) PART.
- (3) UNDER-SIZE (U.S=0.25) PART.

Fig.9. LUB.OIL SYSTEM

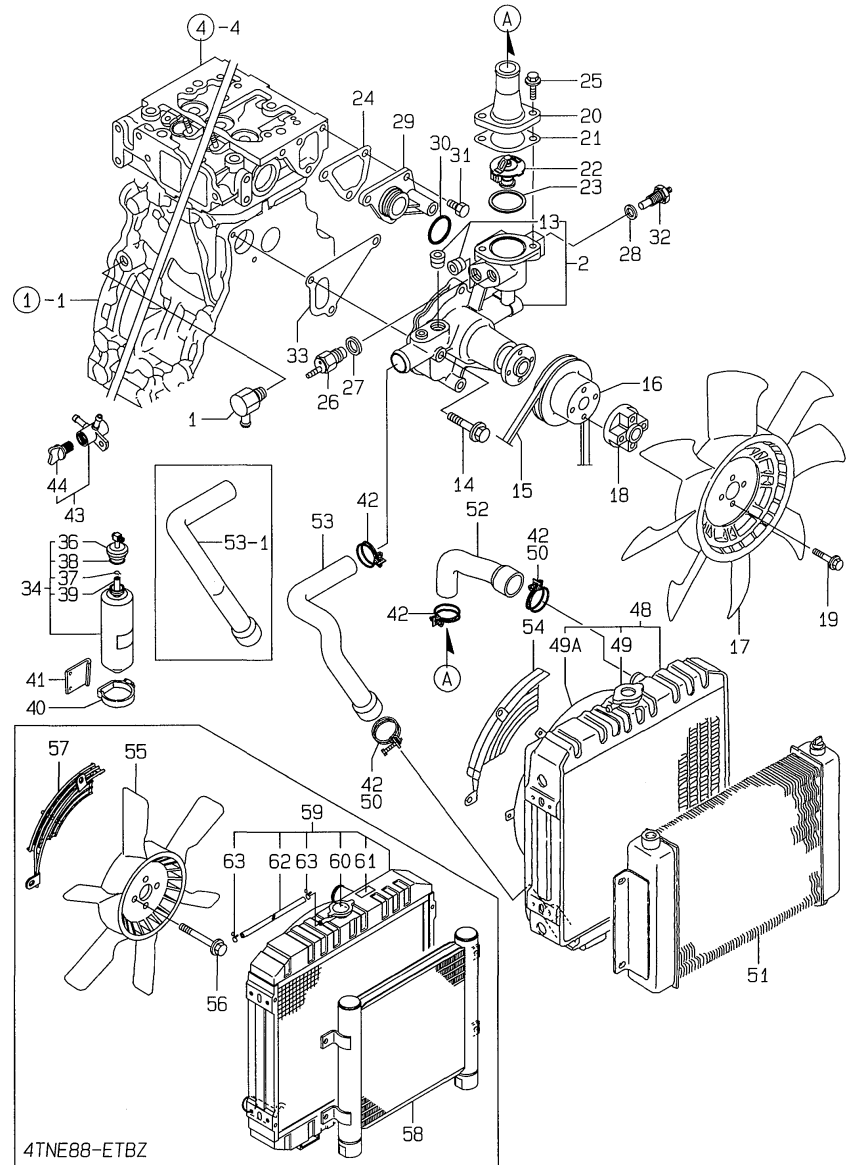


(A)=4TNE88-TB
(B)=4TNE88-TB1
(C)=4TNE88-ETB

(D)=4TNE88-ETB1
(E)=4TNE88-ETB2
(F)=

No.	Lev.	Parts No.	Description	Q'ty						I	R
				(A)	(B)	(C)	(D)	(E)	(F)		
1	1	129407-32000	PUMP ASSY, OIL	1	1	1	1	1			
14	1	129150-32020	GASKET, PUMP	1	1	1	1	1			
15	1	26450-060252	BOLT, M6X 25	4	4	4	4	4			
16	1	129150-35041	GASKET	1	1	1	1	1			
16-1	1	129150-35042	GASKET	1	1	1	1	1		N	
		(A=EZZZZZ) (B=EZZZZZ) (C=EZZZZZ) (D=EZZZZZ) (E=EXXXXX)									
17	1	129150-35091	PIPE ASSY, OIL INLET	1							
17-1	1	129436-35091	PIPE ASSY, OIL INLET	1	1	1	1	1		N	
		(A=E38541)									
17-2	1	129436-35070	PIPE ASSY	1	1	1	1	1		S	
		(A=EZZZZZ) (B=EZZZZZ) (C=EZZZZZ) (D=EZZZZZ) (E=EZZZZZ)									
21	1	26106-080352	BOLT, M8X 35 PLATED	2	2	2	2	2			
21-1	1	26106-080552	BOLT, M8X 55 PLATED	2	2	2	2	2		S	
		(A=EZZZZZ) (B=EZZZZZ) (C=EZZZZZ) (D=EZZZZZ) (E=EZZZZZ)									
22	1	129150-35101	BRACKET, STRAINER	1	1	1	1	1			
23	1	129150-35111	GASKET	1	1	1	1	1			
24	1	129150-35151	FILTER, D80XL80	1	1	1	1	1			
25	1	129001-35300	BOLT, FILTER	1	1	1	1	1			
26	1	129150-35350	NUT	1	1	1	1	1			
27	1	24311-000160	O-RING, 1AP16.0	1	1	1	1	1			
28	1	26106-080202	BOLT, M8X 20 PLATED	3	3	3	3	3			
29	1	124160-39451	SWITCH	1							
29-1	1	124160-39450	SWITCH, 0.5KG	1	1	1	1	1		N	
		(A=E36807)									
29-2	1	114250-39450	SWITCH, 0.5KG	1	1	1	1	1		N	
		(A=E39207) (B=*1999.12) (C=E47698) (D=E50273)									
30	1	124160-39140	BOLT, PIPE JOINT M10	1	1	1	1	1			
31	1	129550-39450	PIPE ASSY, OIL	1	1	1	1	1			
35	1	124550-59830	BOLT ASSY, JOINT M8	1	1	1	1	1		W	
		(A=E38541)									
36	2	124550-59820	BOLT, PIPE JOINT M8	1	1	1	1	1			
37	2	22190-080002	WASHER, SEAL 6	2							
37-1	2	22190-080002	WASHER, SEAL 6	1	1	1	1	1		K	
		(A=E38541)									
38	1	23414-100000	GASKET, 10X1.0	2	2	2	2	2			
38-1	1	22190-100002	WASHER, SEAL 10	2	2	2	2	2		N	
		(A=E39207) (B=*1999.10) (C=E45989) (D=E46180)									
39	1	171420-34800	DIPSTICK, OIL	1							
39-1	1	171420-34820	DIPSTICK, OIL	1	1	1	1	1		N	
		(A=E38541)									
40	1	121520-34810	GUIDE, DIPSTICK	1	1	1	1	1			
41	1	22190-080002	WASHER, SEAL 6	1	1	1	1	1		W	
		(A=E38541)									

Fig.10. COOLING WATER SYSTEM



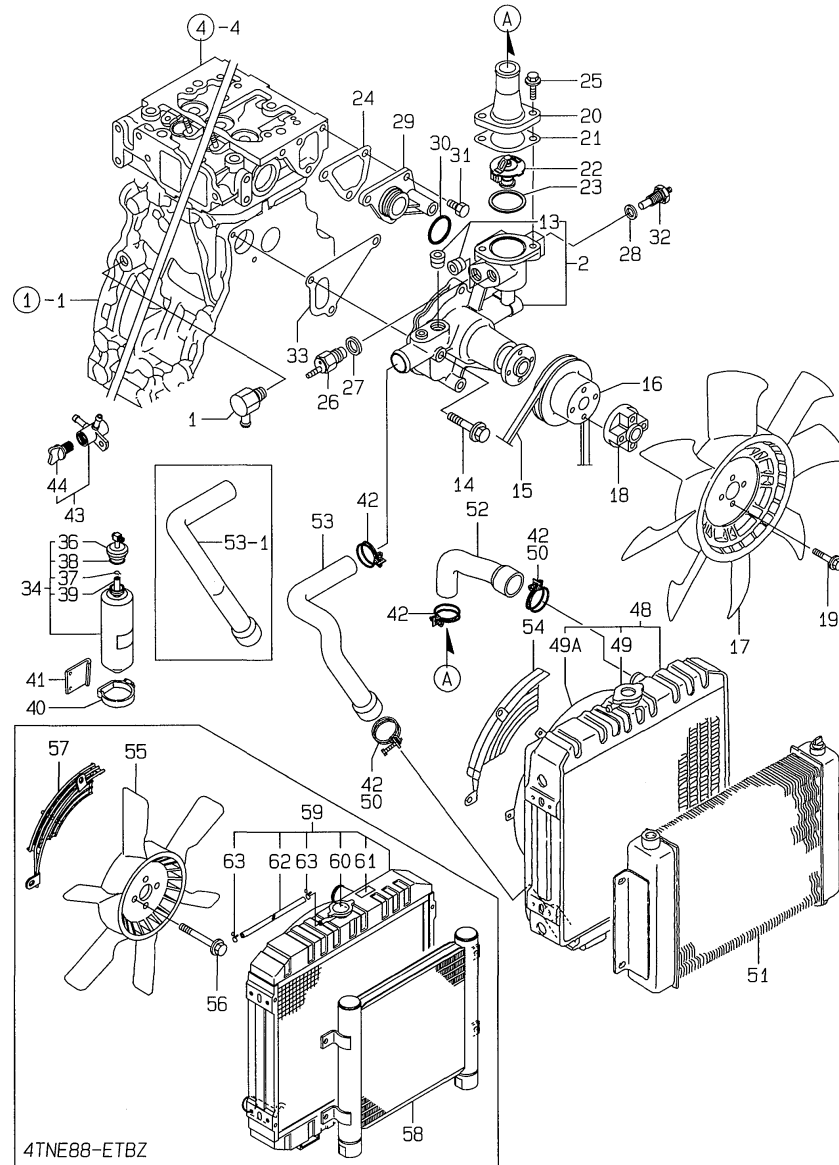
(A)=4TNE88-TB
(B)=4TNE88-TB1
(C)=4TNE88-ETB

(D)=4TNE88-ETB1
(E)=4TNE88-ETBZ
(F)=

No.	Lev.	Parts No.	Description	Q'ty						I	R
				(A)	(B)	(C)	(D)	(E)	(F)		
1	1	121750-49110	JOINT	1	1	1	1	1			
2	1	129001-42002	PUMP ASSY, WATER	1	1	1	1				
2-1	1	129001-42003	PUMP ASSY, WATER	1	1	1	1	1		N	
13	2	(A=E39207) 23871-030000 (B=*1999.08) (C=E44619) (D=E44920)	PLUG, R03	2	2	2	2				
13-1	2	23876-030000	PLUG, R03	2	2	2	2	2		N	
14	1	(A=E39207) 26106-080602 (B=*1999.08) (C=E44619) (D=E44920)	BOLT, M8X 60 PLATED	3	3	3	3	3			
15	1	25132-003900	V-BELT, A39	1	1	1	1	1			
15-1	1	25132-003800	V-BELT, A38						1	N	
16	1	129403-42380	V-PULLEY, D=110	1	1	1	1	1			
17	1	129436-44740	FAN, COOLING D410	1	1	1	1	1			
18	1	121267-44760	SPACER	1	1	1	1	1			
19	1	26014-060302	BOLT, M6X 30	4	4	4	4				
20	1	129350-49560	COVER, THERMOSTAT	1	1	1	1	1			
21	1	129795-49551	GASKET	1	1	1	1	1			
22	1	129155-49800	THERMOSTAT, 71	1	1	1	1	1			
22-1	1	129574-49800	THERMOSTAT, 82			1	1	1		N	
22-2	1	129457-49800	THERMOSTAT, 82 (C=E60245) (D=E60841) (E=E60350)			1	1	1		N	
22-3	1	129457-49801	THERMOSTAT, 82 (C=E63829) (D=E64070) (E=E64159)			1	1	1		N	
23	1	129150-49811	GASKET, THERMOSTAT (C=*2002.11) (D=*2002.11) (E=*2002.11)	1	1	1	1	1			
24	1	129100-49840	GASKET	1	1	1	1				
24-1	1	124395-49840	GASKET	1	1	1	1	1		N	
25	1	(A=E39207) 26106-080202 (B=*2000.03) (C=E51081) (D=E51218)	BOLT, M8X 20 PLATED	2	2	2	2	2			
26	1	121250-44901	SWITCH, 110	1	1	1	1	1			
27	1	124465-44950	GASKET, 16	1	1	1	1	1			
28	1	129150-49360	GASKET	1	1	1	1	1			
29	1	129001-42040	JOINT	1	1	1	1	1			
30	1	24321-000300	O-RING, 1AG30.0	1	1	1	1	1			
30-1	1	129486-42140	O-RING, G30 (A=E39207) (B=*1999.07) (C=E43700) (D=E43720)	1	1	1	1	1		N	
31	1	26106-080162	BOLT, M8X 16 PLATED	3	3	3	3	3			
32	1	119266-49350	SWITCH	1	1	1	1	1			
33	1	129100-42020	GASKET, WATER PUMP	1	1	1	1	1			
33-1	1	129486-42021	GASKET, WATER PUMP (A=E39207) (B=*1999.08) (C=E44619) (D=E44920)	1	1	1	1	1		N	
34	1	171064-44510	TANK ASSY, SUB	1	1	1	1	1			
36	2	121450-44531	CAP	1	1	1	1	1			
37	2	124450-44560	RETAINER	1	1	1	1	1			
38	2	121470-44581	GASKET	1	1	1	1	1			
39	2	23065-070225	HOSE 7X 225	1	1	1	1	1			
40	1	124450-44550	BAND	1	1	1	1	1			
41	1	121256-44600	BRACKET, SUB TANK	1	1	1	1	1			
42	1	23010-038000	CLAMP, 38	4							
42-1	1	23010-038000	CLAMP, 38 (A=E39207)	2	2	2	2	2		K	

N:Old $\begin{matrix} \text{Yes} \\ \text{No} \end{matrix}$ New, Q:Old $\begin{matrix} \text{No} \\ \text{Yes} \end{matrix}$ New, R:Old $\begin{matrix} \text{Yes} \\ \text{No} \end{matrix}$ New, S:Old $\begin{matrix} \text{No} \\ \text{Yes} \end{matrix}$ New, W:Add, Z:Discontinued, F:Interchangeable by set, K:Q'ty Change
 ++ CONTINUE ++
 Copyright (C) YANMAR CO., LTD. All Rights Reserved.

Fig.10. COOLING WATER SYSTEM



(A)=4TNE88-TB
(B)=4TNE88-TB1
(C)=4TNE88-ETB

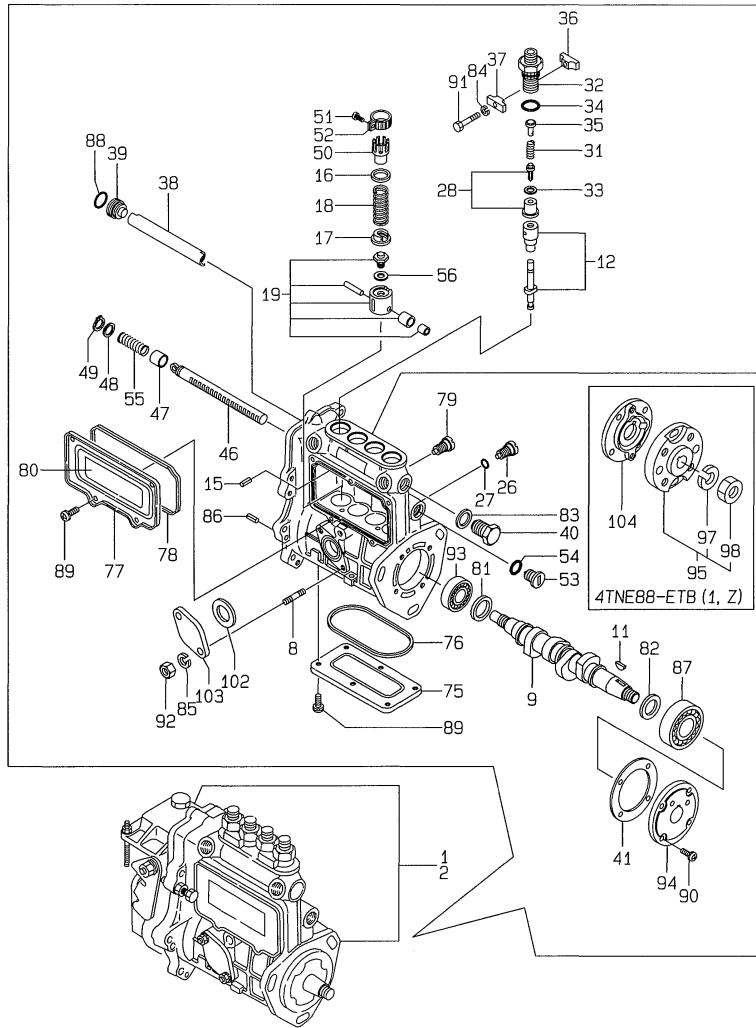
(D)=4TNE88-ETB1
(E)=4TNE88-ETBZ
(F)=

No.	Lev.	Parts No.	Description	Q'ty						I	R
				(A)	(B)	(C)	(D)	(E)	(F)		
43	1	129150-49100	COCK ASSY, 3-WAY	1	1	1	1	1			
44	2	129150-49080	COCK, DRAIN	1	1	1	1	1			
48	1	119032-44502	RADIATOR	1	1	1	1				
49	2	119032-44660	CAP ASSY	1	1	1	1				
49A	2	X0227108012	FAN SHURAUD	1	1	1	1			W	
		(A=FROM 1ST) (B=FROM 1ST) (C=FROM 1ST) (D=FROM 1ST)									
50	1	23010-050000	CLAMP, 50	2	2	2	2	2		W	
		(A=E39207)									
51	1	171091-44900	COOLER ASSY, OIL	1	1	1	1				
52	1	129612-49010	PIPE, WATER	1	1	1	1				
53	1	129612-49020	PIPE, WATER	1							
53-1	1	129612-49021	PIPE, WATER	1	1	1	1			N	
		(A=E39207)									
54	1	119032-44591	NET, WIRE	1						Z	
		(A=E39207)									
55	1	129110-44740	FAN, COOLING D390						1		
56	1	26106-060302	BOLT, M6X 30 PLATED						4		
57	1	129132-44590	NET, WIRE						1		
58	1	129953-44910	COOLER ASSY, OIL						1		
59	1	129953-44510	RADIATOR ASSY						1		
60	2	119032-44660	CAP ASSY						1		
61	2	121400-44900	LABEL						1		
62	2	119032-44670	HOSE						1		
63	2	119032-44680	CLAMP						2		

Fig.11. FUEL INJECTION PUMP

(A)=4TNE88-TB
(B)=4TNE88-TB1
(C)=4TNE88-ETB

(D)=4TNE88-ETB1
(E)=4TNE88-ETBZ
(F)=



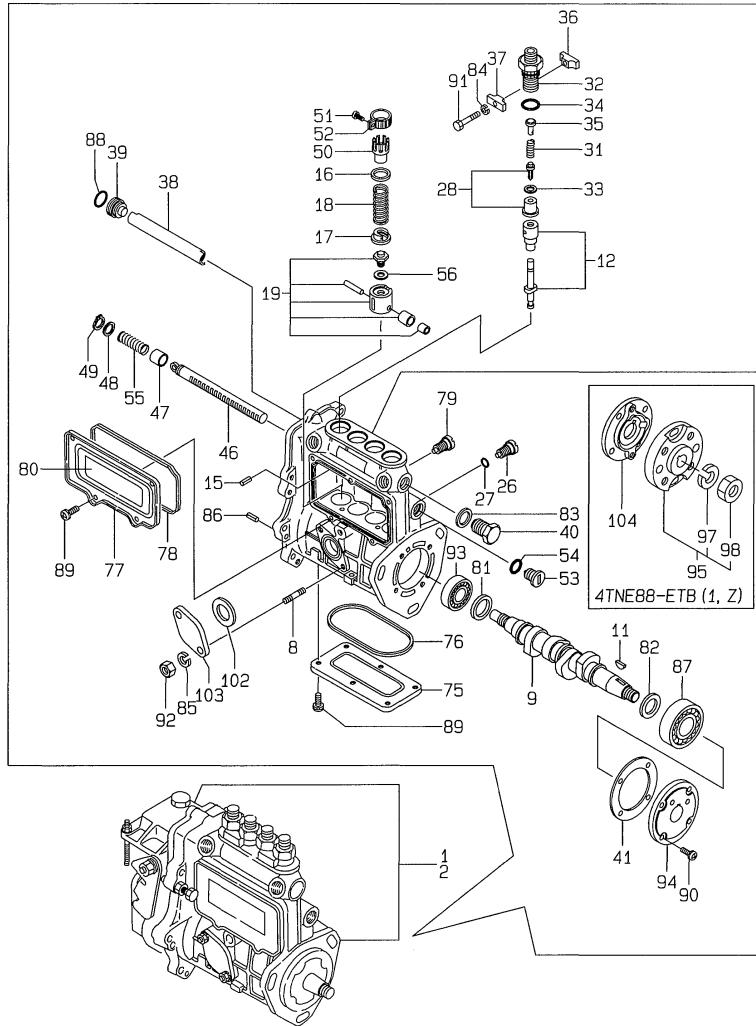
No.	Lev.	Parts No.	Description	Q'ty						I	R
				(A)	(B)	(C)	(D)	(E)	(F)		
1	1	729612-51400	PUMP ASSY, INJECTION	1	1						1
2	1	729612-51450	PUMP ASSY, INJECTION								1
8	2	129155-51020	STUD	2	2	2	2	2			
9	2	129470-51040	CAMSHAFT	1	1	1	1	1			
11	2	122710-51090	KEY	1	1	1	1	1			
12	2	129506-51100	PLUNGER ASSY	4	4	4	4	4			
15	2	129155-51140	PIN	4	4	4	4	4			
16	2	174307-51170	RETAINER, SPRING A	4	4	4	4	4			
17	2	129155-51180	RETAINER, SPRING	4	4	4	4	4			
18	2	124950-51190	SPRING, PLUNGER	4	4	4	4	4			
19	2	129155-51200	TAPPET ASSY	4	4	4	4	4			
26	2	129155-51270	STOPPER, TAPPET	4	4	4	4	4			
27	2	129155-51280	O-RING, S6	4	4	4	4	4			
28	2	129100-51300	VALVE ASSY, DELIVERY	4	4	4	4	4			
31	2	129155-51320	SPRING, DELIVERY	4	4	4	4	4			
32	2	129155-51340	RETAINER	4	4	4	4	4			
33	2	124550-51350	GASKET, DELIVERY	4	4	4	4	4			
34	2	124550-51370	O-RING	4	4	4	4	4			
35	2	129155-51370	STOPPER, VALVE	4	4	4	4	4			
36	2	129155-51380	STOPPER	2	2	2	2	2			
37	2	129155-51390	STOPPER	2	2	2	2	2			
38	2	129555-51400	DEFLECTOR	1	1	1	1	1			
39	2	129155-51410	BOLT	1	1	1	1	1			
40	2	129155-51420	PLUG, M16	1	1	1	1	1			
41	2	129155-51450	SHIM SET, ADJUSTING	1	1	1	1	1			
46	2	129555-51500	RACK, CONTROL	1	1	1	1	1			
47	2	129155-51521	BUSH, RACK	1	1	1	1	1			
48	2	129155-51530	SPACER	1	1	1	1	1			
49	2	129155-51540	CIRCLIP	1	1	1	1	1			
50	2	129155-51550	PINION, CONTROL	4	4	4	4	4			
51	2	122117-51560	SCREW	4	4	4	4	4			
51-1	2	129100-51570	SCREW	4	4	4	4	4			N
		(A=E39207) (B=*2000.01) (C=E50221) (D=E50273) (E=E50273)									
52	2	174307-51560	PINION	4	4	4	4	4			
52-1	2	129100-51560	PINION	4	4	4	4	4			N
		(A=E39207) (B=*2000.09) (C=E56610) (D=E56596) (E=E55929)									
53	2	129155-51570	PLUG, M12	1	1	1	1	1			
54	2	129155-51580	O-RING	1	1	1	1	1			
55	2	129155-51591	SPRING, RACK	1	1	1	1	1			
56	2	129155-51600	SHIM SET, ADJUSTING	4	4	4	4	4			
75	2	129555-51700	COVER	1	1	1	1	1			
75-1	2	129555-51701	COVER	1	1	1	1	1			N
		(A=E39207) (B=*2000.01) (C=E50221) (D=E50273)									
76	2	129555-51710	GASKET	1	1	1	1	1			
76-1	2	129555-51711	GASKET	1	1	1	1	1			N
		(A=E39207) (B=*2000.09) (C=E56610) (D=E56596) (E=E55929)									
77	2	129555-51750	COVER	1	1	1	1	1			
77-1	2	129555-51751	COVER	1	1	1	1	1			N
		(A=E39207) (B=*2000.01) (C=E50221) (D=E50273)									
78	2	129555-51760	GASKET	1	1	1	1	1			
79	2	129155-51790	STOOPER, RACK	1	1	1	1	1			

Remarks
(1) GOVERNOR ASSY(FIG.NO.12) IS INCORPORATED IN THIS FUEL INJECTION PUMP ASSY(REF.NO.1,2).

Fig.11. FUEL INJECTION PUMP

(A)=4TNE88-TB
 (B)=4TNE88-TB1
 (C)=4TNE88-ETB

(D)=4TNE88-ETB1
 (E)=4TNE88-ETBZ
 (F)=



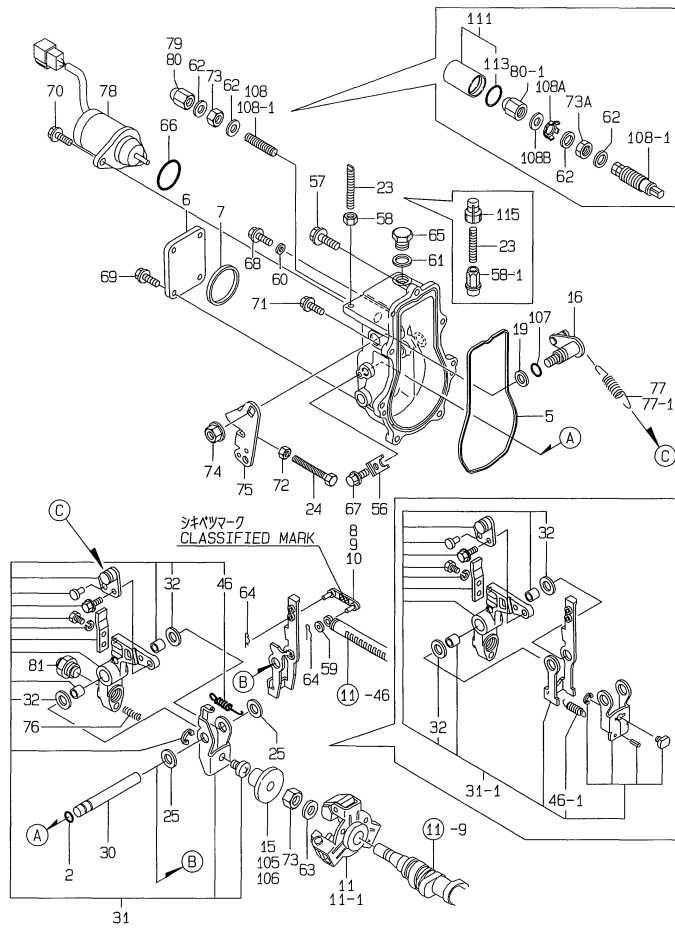
No.	Lev.	Parts No.	Description	Q'ty						I	R
				(A)	(B)	(C)	(D)	(E)	(F)		
80	2	129156-51910	LABEL, CAUTION	1	1	1	1	1			
81	2	129155-51930	SPACER, T=3.25	1	1	1	1	1			
82	2	129155-51940	SPACER, T=1.5	1	1	1	1	1			
83	2	22190-160002	WASHER, SEAL 16	1	1	1	1	1			
84	2	22217-050000	WASHER, SPRING 5	2	2	2	2	2			
85	2	22217-060000	WASHER, SPRING 6	2	2	2	2	2			
86	2	22351-050010	PIN, SPRING 5.0X10	2	2	2	2	2			
87	2	24101-063034	BEARING, BALL 6303	1	1	1	1	1			
88	2	24341-000160	O-RING, 1AS16.0	1	1	1	1	1			
89	2	26022-050102	SCREW, M5X10	11	11	11	11				
89-1	2	26022-050122	SCREW, M5X12	11	11	11	11	11		N	
		(A=E39207) (B=*2000.01) (C=E50221) (D=E50273)									
90	2	26022-060162	SCREW, M6X16	4	4	4	4	4			
91	2	26116-050302	BOLT, M5X 30 PLATED	2	2	2	2	2			
92	2	26716-060002	NUT, M6	2	2	2	2	2			
93	2	129155-51050	BEARING, 17BM001D	1	1	1	1	1			
93-1	2	129155-51051	BEARING	1	1	1	1	1		N	
		(A=*2002.07) (B=*2002.07) (C=E73677) (D=E73826) (E=E73830)									
94	2	129155-51060	SUPPORT, CAMSHAFT	1	1						
95	2	129208-54500	FLANGE ASSY			1	1	1			
97	3	22217-120000	WASHER, SPRING 12			1	1	1			
98	3	26716-120002	NUT, M12			1	1	1			
102	2	129155-52050	GASKET	1	1	1	1	1			
103	2	129100-52200	COVER	1	1	1	1	1			
104	2	129208-51060	SUPPORT			1	1	1			

Remarks
 (1) GOVERNOR ASSY(FIG.NO.12) IS
 INCORPORATED IN THIS FUEL
 INJECTION PUMP ASSY(REF.NO.1,2).

Fig.12. GOVERNOR

(A)=4TNE88-TB
(B)=4TNE88-TB1
(C)=4TNE88-ETB

(D)=4TNE88-ETB1
(E)=4TNE88-ETBZ
(F)=



No.	Lev.	Parts No.	Description	Q'ty						I	R
				(A)	(B)	(C)	(D)	(E)	(F)		
2	2	129155-51280	O-RING, S6	1	1	1	1	1			
5	2	129052-61050	GASKET	1	1	1	1	1			
6	2	129052-61060	COVER, GOVERNOR CASE	1	1	1	1	1			
7	2	129052-61070	GASKET	1	1	1	1	1			
8	2	129155-61120	LINK, L=30 MARK 0	1	1	1	1	1		1	
9	2	129155-61130	LINK, L=31 MARK 1	1	1	1	1	1		1	
10	2	129155-61140	LINK, L=30.5 MARK 05	1	1	1	1	1		1	
11	2	129155-61201	WEIGHT ASSY,GOVERNOR	1	1	1	1	1			
11-1	2	129486-61200	WEIGHT ASSY,GOVERNOR			1	1			S	
11-2	2	129155-61202	WEIGHT ASSY,GOVERNOR (A=E39207) (B=*2000.01)	1	1					R	
11-3	2	129486-61201	WEIGHT ASSY,GOVERNOR (C=E48864) (D=E50273)			1	1	1		R	
15	2	129155-61341	SLEEVE	1	1	1	1	1		2	
16	2	129100-61400	SHAFT ASSY	1	1	1	1	1			
19	2	129155-61430	SPACER	1	1	1	1	1			
23	2	129155-61450	BOLT, LIMITER	1	1	1	1	1			
24	2	129155-61460	BOLT, IDLE	1	1	1	1	1			
25	2	129155-61480	SPACER ASSY	2	2	2	2	2			
30	2	129052-61390	SHAFT	1	1	1	1	1			
31	2	129052-61500	LEVER ASSY, GOVERNOR	1	1	1	1				
31-1	2	119908-61501	LEVER ASSY, GOVERNOR (A=E39207) (B=*2000.07) (C=E54741) (D=E54736)	1	1	1	1	1		R	
32	3	174307-51700	SHIM SET	2	2	2	2	2			
46	3	129052-61540	SPRING, SET	1	1	1	1				
46-1	3	129486-61540	SPRING, SET	1	1	1	1	1		S	
56	2	119660-61901	RETAINER, SHAFT (A=E39207) (B=*2000.03) (C=E51081) (D=E51218)	1	1	1	1	1			
57	2	129155-61950	BOLT	1	1	1	1	1			
58	2	124550-66370	NUT, M6	1	1	1	1	1			
58-1	2	129209-61370	NUT, M6 (A=*2002.06) (B=*2002.06) (C=E72919) (D=E73826) (E=E73172)	1	1	1	1	1		S	
59	2	22117-040000	WASHER, 4	1	1	1	1	1			
60	2	22190-060002	WASHER, SEAL 6	1							
60-1	2	22190-060003	SEAL WASER 6	1	1	1	1	1		N	
61	2	22190-100002	WASHER, SEAL 10 (A=E36807)	1	1	1	1	1			
62	2	22190-120002	WASHER, SEAL 12	2	2	2	2	2			
63	2	22287-120000	WASHER, 12	1	1	1	1	1			
64	2	22372-040000	PIN, SNAP 4	2	2	2	2	2			
65	2	23887-100002	PLUG, 10	1	1	1	1	1			
66	2	24341-000280	O-RING, 1AS28.0	1	1	1	1	1			
66-1	2	158552-61900	O-RING (A=EXXXXX) (B=EXXXXX) (C=EXXXXX) (D=EXXXXX) (E=EXXXXX)	1	1	1	1	1		N	
67	2	26106-060102	BOLT, M6X 10 PLATED	1	1	1	1	1			
68	2	26106-060102	BOLT, M6X 10 PLATED	1	1	1	1	1			
69	2	26106-060102	BOLT, M6X 10 PLATED	4	4	4	4	4			
70	2	26106-060142	BOLT, M6X 14 PLATED	2	2	2	2	2			
71	2	26106-060202	BOLT, M6X 20 PLATED	6	6	6	6	6			
72	2	26756-060002	NUT, LOCK M6	1	1	1	1	1			

Remarks

(1) SELECTIVE PARTS: CERTAIN THE CLASSIFICATION MARK, THEN PLACE YOUR ORDER.(REFER TO ILLUSTRATION).

(2) SELECTIVE PARTS.

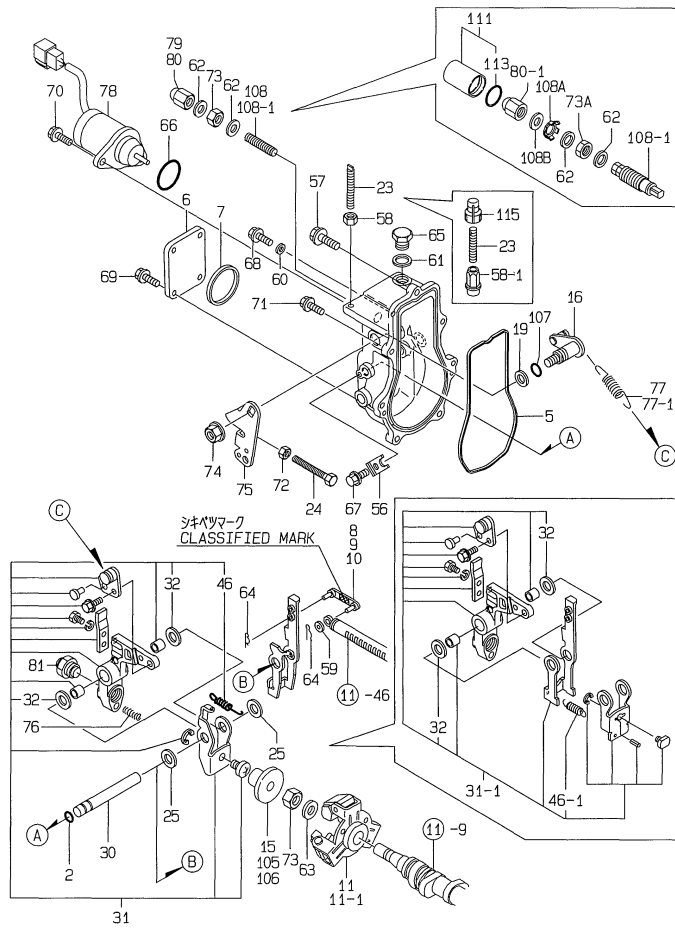
(3) REPAIR PART.

* THIS FIGURE(GOVERNOR ASSY)IS INCORPORATED IN THE FUEL INJECTION PUMP ASSY(FIG.11).

Fig.12. GOVERNOR

(A)=4TNE88-TB
(B)=4TNE88-TB1
(C)=4TNE88-ETB

(D)=4TNE88-ETB1
(E)=4TNE88-ETBZ
(F)=



No.	Lev.	Parts No.	Description	Q'ty						I	R
				(A)	(B)	(C)	(D)	(E)	(F)		
73	2	26776-120002	NUT, LOCK M12	2	2	2	2	2			
73-1	2	26776-120002	NUT, LOCK M12	1	1	1	1	1		K	
		(A=*2001.09)	(B=*2001.09)	(C=E66880)	(D=E70363)	(E=E67520)					
73A	2	26736-120002	NUT, M12	1	1	1	1	1		W	
		(A=*2001.09)	(B=*2001.09)	(C=E66880)	(D=E70363)	(E=E67520)					
74	2	26366-080002	NUT, M8	1	1	1	1	1			
75	2	129100-61440	LEVER, CONTROL	1	1	1	1	1			
76	2	129100-61650	SPRING, CONTROLLER	1	1	1	1	1			
77	2	129489-61700	SPRING, GOVERNOR	1	1	1	1				
77-1	2	129486-61710	SPRING, GOVERNOR			1	1	1		S	
		(C=E44619)	(D=E44920)								
78	2	119285-77951	SOLENOID	1	1	1	1	1			
78-1	2	119285-77952	SOLENOID, STOP	1	1	1	1	1		N	
		(A=*2001.03)	(B=*2001.03)	(C=E62124)	(D=E62868)	(E=E62133)					
79	2	26687-120002	NUT, CAP M12	1	1						
80	2	129100-61930	NUT, CAP			1	1	1			
80-1	2	129209-61930	NUT, CAP			1	1	1		S	
		(C=E69297)	(D=E70363)	(E=E69220)							
81	2	129132-61550	ANGLEICH ASSY	1	1	1	1	1			
105	2	129155-61350	SLEEVE, L=24.9	1	1	1	1	1		2	
106	2	129155-61360	SLEEVE, L=25.2	1	1	1	1	1		2	
107	2	129155-61830	O-RING, S10	1	1	1	1	1			
108	2	129155-61470	BOLT, CONTROL	1	1	1	1				
108-1	2	120323-61470	BOLT, CONTROL			1	1	1		S	
		(C=E45989)	(D=E46180)								
108A	2	129209-61970	PLATE			1	1	1		W	
		(C=E69297)	(D=E70363)	(E=E69220)							
108B	2	23414-120016	GASKET, 12X1.0			1	1	1		W	
		(C=E69297)	(D=E70363)	(E=E69220)							
111	1	129209-61940	CASE ASSY	1	1	1				W	
		(C=E69297)	(D=E70363)	(E=E69220)							
113	2	24311-000150	O-RING, 1AP15.0	1	1	1				W	
		(C=E69297)	(D=E70363)	(E=E69220)							
115	1	119285-66650	CAP, HIGH-IDLE	1	1	1				W 3	
		(C=E69297)	(D=E70363)	(E=E69220)							

Remarks

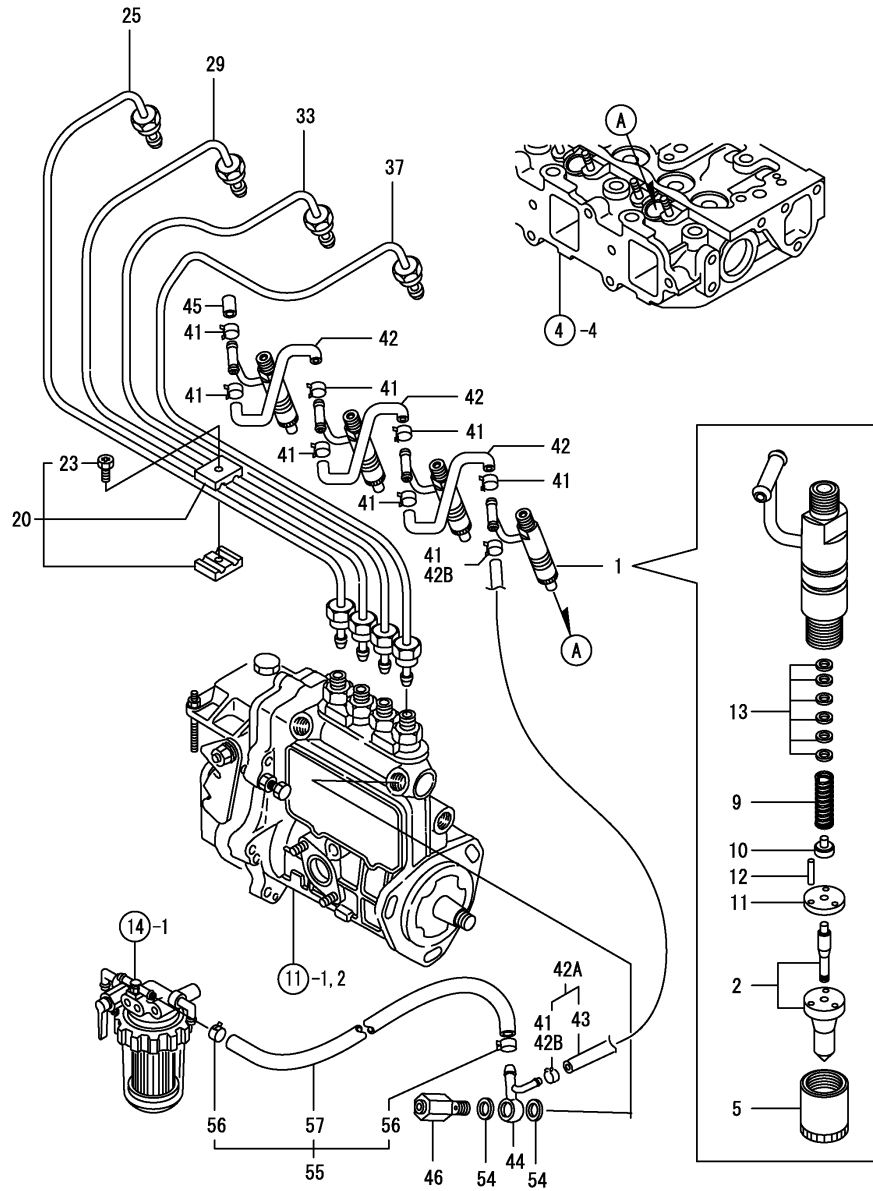
(1) SELECTIVE PARTS: CERTAIN THE CLASSIFICATION MARK, THEN PLACE YOUR ORDER.(REFER TO ILLUSTRATION)

(2) SELECTIVE PARTS.

(3) REPAIR PART.

* THIS FIGURE(GOVERNOR ASSY)IS INCORPORATED IN THE FUEL INJECTION PUMP ASSY(FIG.11).

Fig.13. FUEL INJECTION VALVE



(A)=4TNE88-TB
(B)=4TNE88-TB1
(C)=4TNE88-ETB

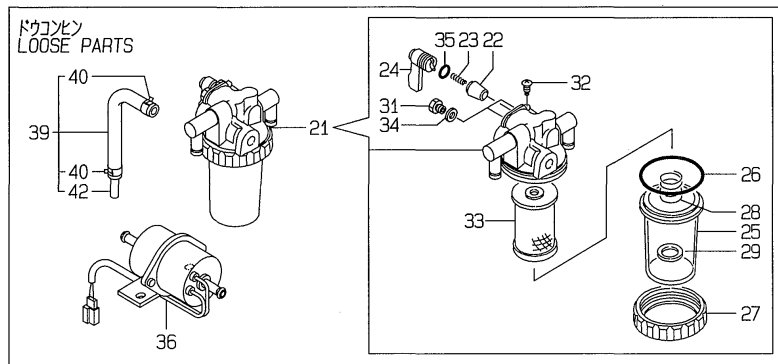
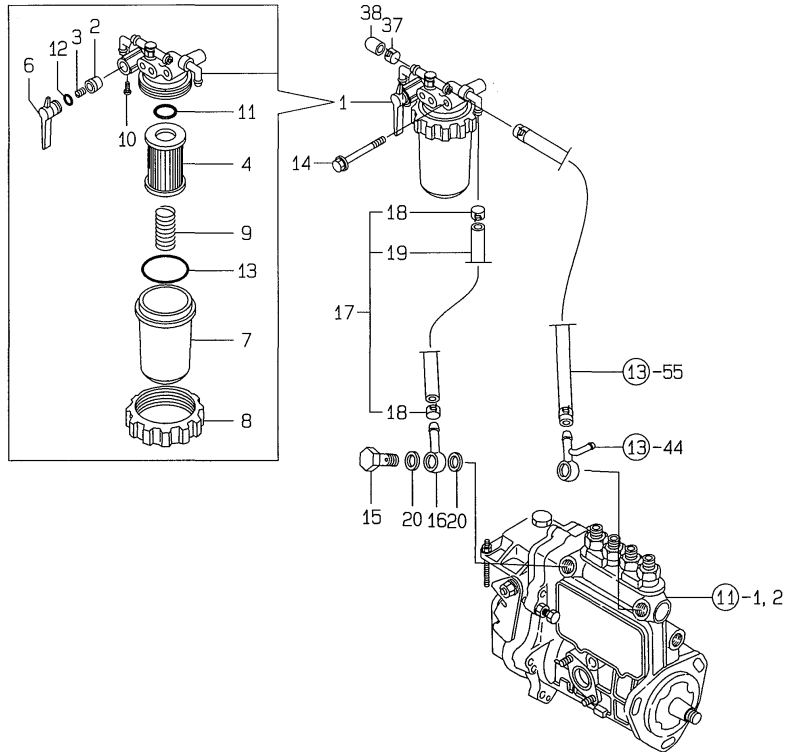
(D)=4TNE88-ETB1
(E)=4TNE88-ETBZ
(F)=

No.	Lev.	Parts No.	Description	Qty						I	R
				(A)	(B)	(C)	(D)	(E)	(F)		
1	1	729102-53100	VALVE ASSY,INJECTION	4	4	4	4	4			
2	2	129102-53000	VALVE ASSY,INJECTION	4	4	4	4	4			
5	2	114250-53080	NUT, NOZZLE D16.95	4	4	4	4	4			
9	2	114250-53120	SPRING, NOZZLE	4	4	4	4	4			
10	2	114250-53130	SEAT, SPRING	4	4	4	4	4			
11	2	114250-53140	PLATE	4	4	4	4	4			
12	2	114250-53210	PIN	8	8	8	8	8			
13	2	114250-53400	SHIM SET	4	4	4	4	4			
20	1	119305-59120	RETAINER, PIPE	2	2	2	2	2			
23	2	129150-59131	BOLT, M4X14	2	2	2	2	2			
25	1	129407-59940	PIPE ASSY, INJECTION	1	1	1	1	1			
29	1	129612-59831	PIPE ASSY, INJECTION	1	1	1	1	1			
33	1	129407-59920	PIPE ASSY, INJECTION	1	1	1	1	1			
37	1	129407-59910	PIPE ASSY, INJECTION	1	1	1	1	1			
41	1	124066-59100	CLIP, HOSE 8	9	9	9	9	9			
41-1	1	124066-59100	CLIP, HOSE 8	7	7	7	7	7		K	
		(A=E39207) (B=*1999.12) (C=E47698) (D=E50273)									
42	1	121250-59550	PIPE, FUEL D8X120	3	3	3	3	3			
42A	1	119840-59500	PIPE ASSY, RETURN	1	1	1	1	1		W	
		(A=E39207) (B=*1999.12) (C=E47698) (D=E50273)									
42B	2	124066-59100	CLIP, HOSE 8	2	2	2	2	2		W	
		(A=E39207) (B=*1999.12) (C=E47698) (D=E50273)									
43	2	119840-59560	PIPE, FUEL RETURN	1	1	1	1	1			
44	1	119840-59570	JOINT	1	1	1	1	1			
45	1	129150-59580	CAP	1	1	1	1	1			
46	1	129100-59951	VALVE ASSY, CHECK	1	1	1	1	1			
54	1	23414-120000	GASKET, 12X1.0	2	2	2	2	2			
54-1	1	22190-120002	WASHER, SEAL 12	2	2	2	2	2		N	
		(A=E39207) (B=*1999.07) (C=E43700) (D=E43720)									
55	1	129210-59150	PIPE ASSY, FUEL	1	1	1	1	1			
56	2	124766-59050	CLIP, HOSE 12	2	2	2	2	2			
57	2	105025-59530	PIPE, FUEL D13X400	1	1	1	1	1			

Fig.14. FUEL LINE

(A)=4TNE88-TB
(B)=4TNE88-TB1
(C)=4TNE88-ETB

(D)=4TNE88-ETB1
(E)=4TNE88-ETBZ
(F)=

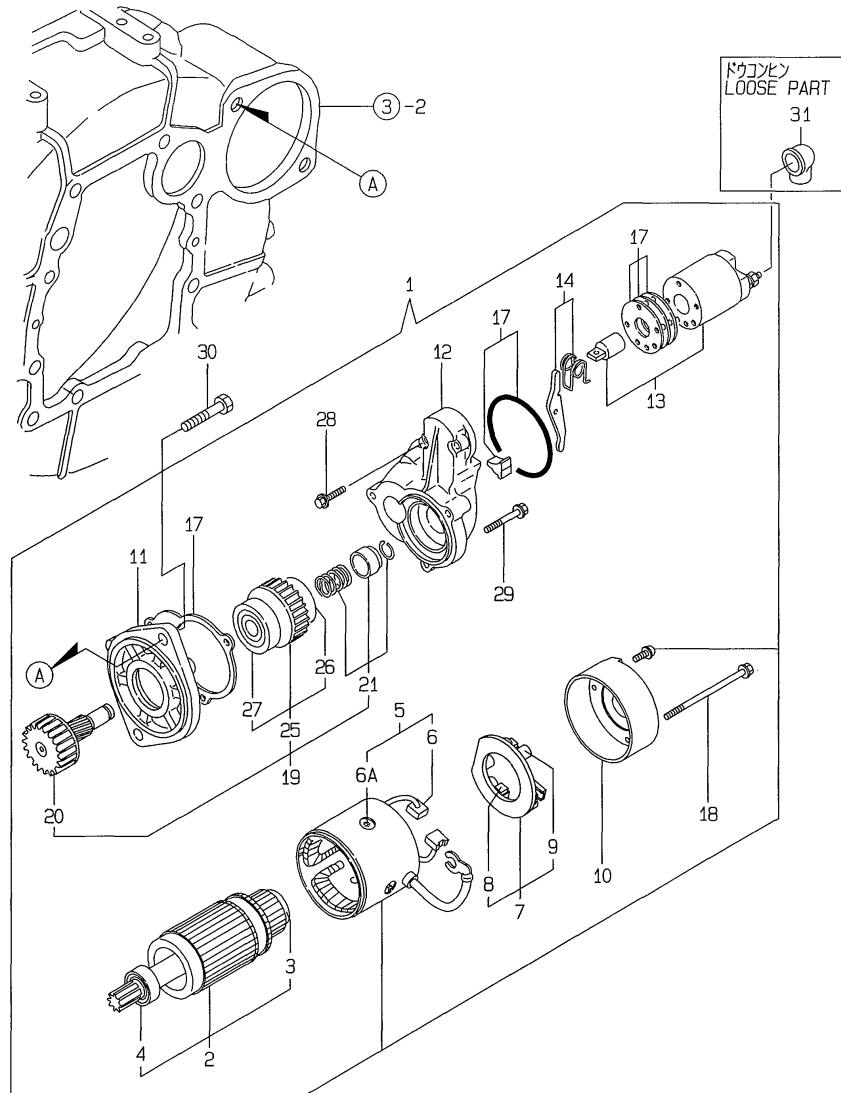


No.	Lev.	Parts No.	Description	Q'ty						I	R
				(A)	(B)	(C)	(D)	(E)	(F)		
1	1	129052-55620	FILTER ASSY, FUEL	1	1	1	1	1			
2	2	104200-55321	VALVE, TAPER	1	1	1	1	1			
3	2	104200-55330	SPRING, VALVE	1	1	1	1	1			
4	2	129100-55650	ELEMENT	1	1	1	1	1			
6	2	129100-55670	LEVER	1	1	1	1	1			
7	2	129100-55680	CUP, STRAINER	1	1	1	1	1			
8	2	129100-55690	RING, RETAINING	1	1	1	1	1			
9	2	129100-55700	SPRING	1	1	1	1	1			
10	2	104200-55750	SCREW, M4	1	1	1	1	1			
11	2	24311-000160	O-RING, 1AP16.0	1	1	1	1	1			
12	2	24311-240100	O-RING, 1AP10A	1	1	1	1	1			
13	2	24321-000650	O-RING, 1AG65.0	1	1	1	1	1			
14	1	26014-080702	BOLT, M8X 70	1	1	1	1	1			
15	1	103854-39140	BOLT, PIPE JOINT	1	1	1	1	1			
16	1	101304-59020	JOINT, PIPE 12	1	1	1	1	1			
17	1	129210-59040	PIPE ASSY, FUEL	1	1	1	1	1			
18	2	124766-59050	CLIP, HOSE 12	2	2	2	2	2			
19	2	129555-59510	PIPE, D13/7.5X180	1	1	1	1	1			
20	1	22190-120002	WASHER, SEAL 12	2	2	2	2	2			
21	1	129335-55700	SEPARATOR ASSY, WATER	1	1	1	1	1			
22	2	104200-55321	VALVE, TAPER	1	1	1	1	1			
23	2	104200-55330	SPRING, VALVE	1	1	1	1	1			
24	2	104200-55341	HANDLE	1	1	1	1	1			
25	2	124064-55510	COVER	1	1	1	1	1			
26	2	102103-55520	O-RING	1	1	1	1	1			
27	2	110250-55610	RING, RETAINING	1	1	1	1	1			
28	2	121257-55720	SPRING	1	1	1	1	1			
29	2	121257-55731	FLOAT	1	1	1	1	1			
31	2	101720-55750	PLUG, 6	2	2	2	2	2			
32	2	104200-55750	SCREW, M4	1	1	1	1	1			
33	2	171081-55910	SCREEN	1	1	1	1	1			
34	2	23418-060000	GASKET, 6X1.0	2	2	2	2	2			
35	2	24311-240100	O-RING, 1AP10A	1	1	1	1	1			
36	1	129322-77401	PUMP ASSY, FUEL FEED	1	1	1	1	1			
37	1	124066-59100	CLIP, HOSE 8	1	1	1	1	1			
38	1	129150-59580	CAP	1	1	1	1	1			
39	1	119840-59601	BEND	1							
39-1	1	119840-59601	BEND	2	2	2	2	1		K	
				(A=E38938)							
39-2	1	119840-59601	BEND					1		Z	
				(E=E69974)							
40	2	124766-59050	CLIP, HOSE 12	2							
40-1	2	124766-59050	CLIP, HOSE 12	4	4	4	4	2		K	
				(A=E38938)							
40-2	2	124766-59050	CLIP, HOSE 12					2		Z	
				(E=E69974)							
42	2	119840-59621	JOINT	1							
42-1	2	119840-59621	JOINT	2	2	2	2	1		K	
				(A=E38938)							
42-2	2	119840-59621	JOINT					1		Z	
				(E=E69974)							

Fig.15. STARTING MOTOR

(A)=4TNE88-TB
(B)=4TNE88-TB1
(C)=4TNE88-ETB

(D)=4TNE88-ETB1
(E)=4TNE88-ETBZ
(F)=

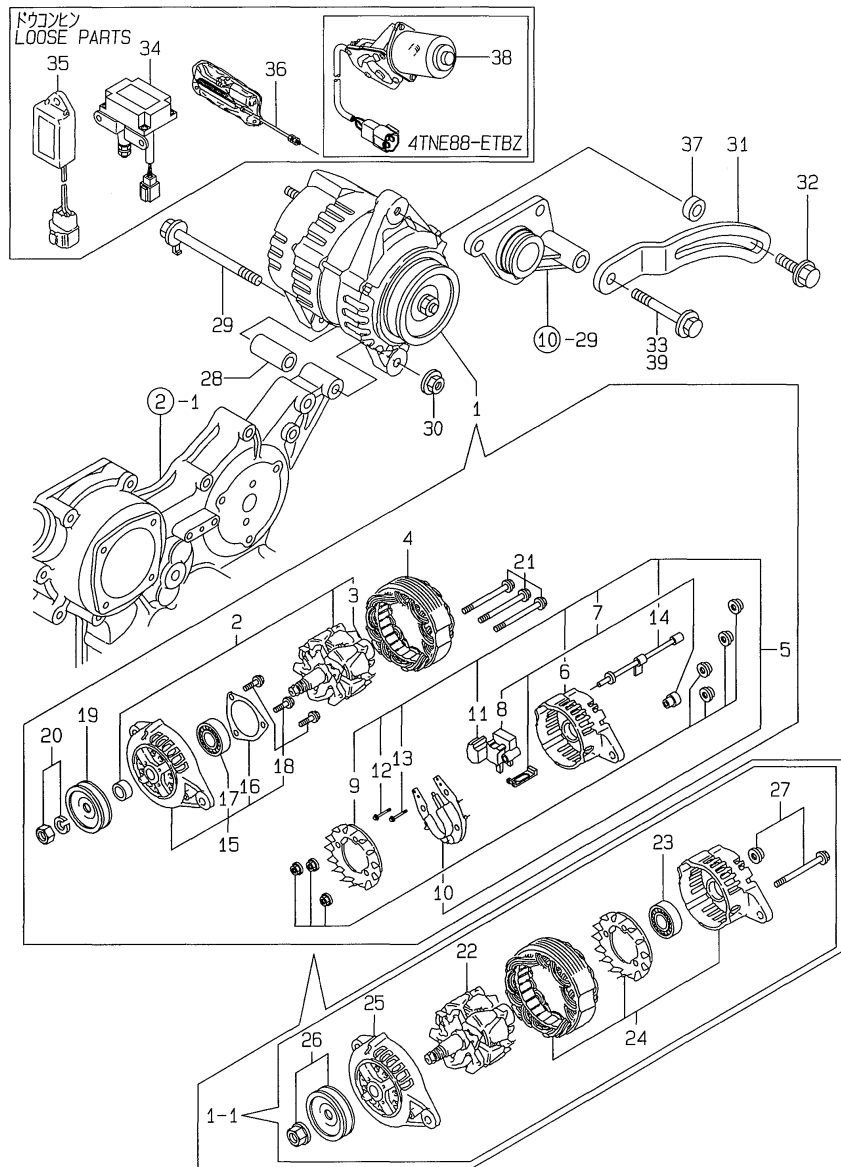


No.	Lev.	Parts No.	Description	Qty						I	R
				(A)	(B)	(C)	(D)	(E)	(F)		
1	1	129400-77012	STARTER	1							
1-1	1	129136-77011	STARTER	1	1	1	1	1			S
		(A=E38009)									
2	2	129486-77400	ARMATURE	1							
2-1	2	129900-77400	ARMATURE ASSY	1	1	1	1	1			S
		(A=E38009)									
3	3	171008-77410	BEARING	1							Z
		(A=E38009)									
4	3	171008-77420	BEARING	1							Z
		(A=E38009)									
5	2	129400-77441	COIL ASSY, FIELD	1							
5-1	2	129900-77440	COIL ASSY, FIELD	1	1	1	1	1			S
		(A=E38009)									
6	3	129486-77460	BRUSH	2							
6-1	3	129900-77450	BRUSH	2	2	2	2	2			S
		(A=E38009)									
6A	3	171008-77450	SCREW	4	4	4	4	4			W
		(A=E38009)									
7	2	129486-77470	HOLDER ASSY, BRUSH	1							
7-1	2	129900-77480	HOLDER ASSY, BRUSH	1	1	1	1	1			S
		(A=E38009)									
8	3	129486-77460	BRUSH	2							
8-1	3	129900-77500	BRUSH	2	2	2	2	2			S
		(A=E38009)									
9	3	129486-77490	SPRING	4							Z
		(A=E38009)									
10	2	129900-77460	COVER	1	1	1	1	1			
11	2	171008-77510	CASE, GEAR	1	1	1	1	1			
12	2	129400-77520	HOUSING	1							
12-1	2	129136-77520	HOUSING	1	1	1	1	1			S
		(A=E38009)									
13	2	129400-77531	SWITCH ASSY	1							
13-1	2	129136-77310	SWITCH ASSY	1	1	1	1	1			S
		(A=E38009)									
14	2	171008-77540	LEVER SET	1	1	1	1	1			
17	2	129400-77571	COVER ASSY, DUST	1	1	1	1	1			
18	2	129900-77640	BOLT, THROUGH	2	2	2	2	2			
19	2	171008-77650	PINION ASSY	1	1	1	1	1			
20	3	171008-77660	SHAFT	1	1	1	1	1			
21	3	171008-77670	STOPPER SET	1	1	1	1	1			
25	3	X2114555500	CLUTCH ASSY	1	1	1	1	1			
26	4	X2114955020	BEARING, BALL	1	1	1	1	1			
27	4	X2240410100	BEARING, BALL	1	1	1	1	1			
28	2	26106-060322	BOLT, M6X 32 PLATED	2	2	2	2	2			
29	2	26106-060402	BOLT, M6X 40 PLATED	3	3	3	3	3			
30	1	26116-120252	BOLT, M12X 25 PLATED	2	2	2	2	2			
31	1	124550-77030	COVER, TERMINAL	1	1	1	1	1			

Fig.16. GENERATOR

(A)=4TNE88-TB
(B)=4TNE88-TB1
(C)=4TNE88-ETB

(D)=4TNE88-ETB1
(E)=4TNE88-ETBZ
(F)=

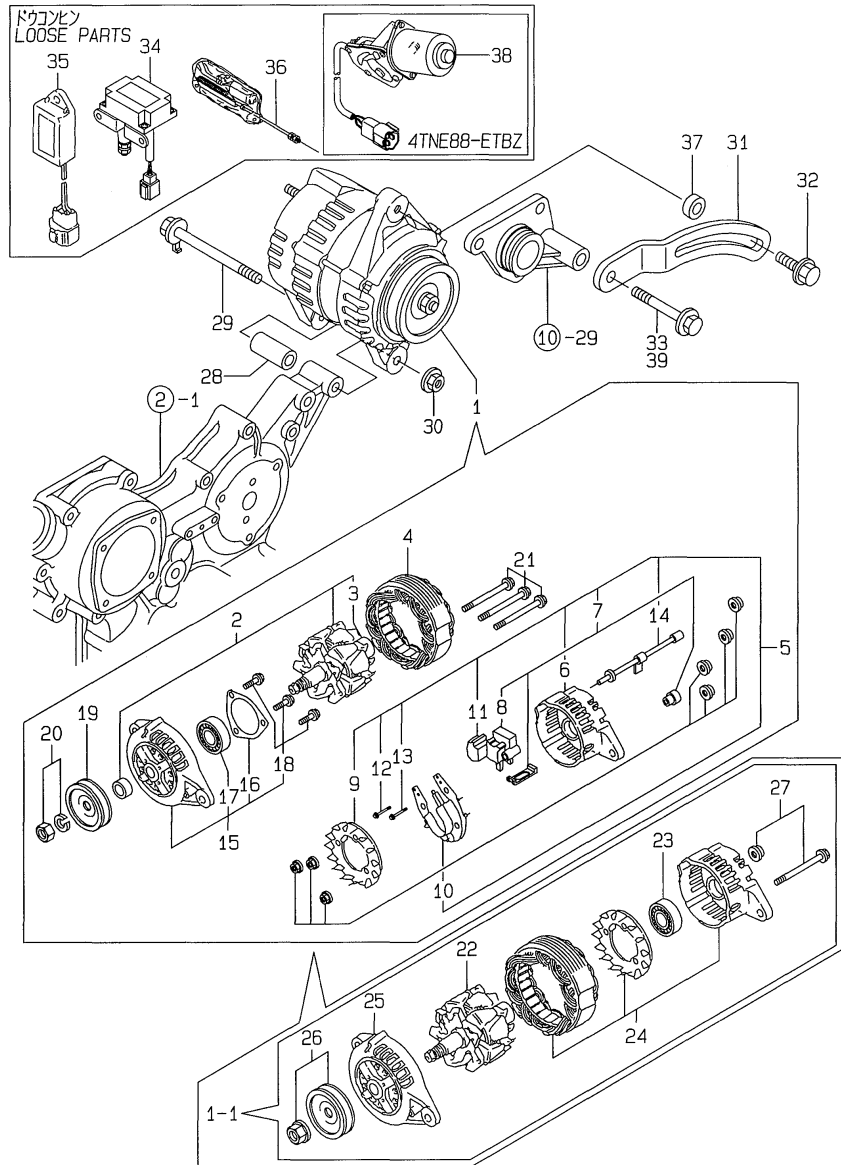


No.	Lev.	Parts No.	Description	Q'ty						I	R
				(A)	(B)	(C)	(D)	(E)	(F)		
1	1	119836-77200	GENERATOR	1							
1-1	1	119836-77201	GENERATOR	1	1	1	1	1			R
		(A=E39207)									
2	2	119836-77700	ROTOR ASSY	1							Z
		(A=E39207)									
3	3	119836-77850	BALL BEARING	1							Z
		(A=E39207)									
4	2	119836-77710	STATOR ASSY	1							Z
		(A=E39207)									
5	2	119836-77721	COVER ASSY, REAR	1							Z
		(A=E39207)									
6	3	119836-77730	COVER, REAR	1							Z
		(A=E39207)									
7	3	119836-77741	BRUSH ASSY,REGULATOR	1							Z
		(A=E39207)									
8	4	119836-77750	BRUSH ASSY	1							Z
		(A=E39207)									
9	3	119836-77760	GUIDE, FAN SIDE	1							Z
		(A=E39207)									
10	3	119836-77770	DIODE ASSY	1							Z
		(A=E39207)									
11	3	119836-77780	CONDENSER	1							Z
		(A=E39207)									
12	3	119836-77871	BOLT (1)	1							Z
		(A=E39207)									
13	3	119836-77880	BOLT (2)	1							Z
		(A=E39207)									
14	3	119836-77890	WIRE ASSY, LEAD	1							Z
		(A=E39207)									
15	2	119836-77790	COVER ASSY, FRONT	1							Z
		(A=E39207)									
16	3	119836-77800	RETAINER, BEARING	1							Z
		(A=E39207)									
17	3	119836-77840	BALL BEARING	1							Z
		(A=E39207)									
18	3	119836-77860	SCREW KID	1							Z
		(A=E39207)									
19	2	119836-77810	PULLEY	1							Z
		(A=E39207)									
20	2	119836-77820	NUT ASSY, PULLEY	1							Z
		(A=E39207)									
21	2	119836-77830	BOLT, THROUGH	1							Z
		(A=E39207)									
22	2	129612-77700	ROTOR ASSY	1	1	1	1	1			W
		(A=E39207)									
23	2	129612-77710	BEARING, BALL	1	1	1	1	1			W
		(A=E39207)									
24	2	119836-77920	BRACKET ASSY	1	1	1	1	1			W
		(A=E39207)									
25	2	129612-77730	BRACKET ASSY, FILTER	1	1	1	1	1			W
		(A=E39207)									

Fig.16. GENERATOR

(A)=4TNE88-TB
(B)=4TNE88-TB1
(C)=4TNE88-ETB

(D)=4TNE88-ETB1
(E)=4TNE88-ETBZ
(F)=

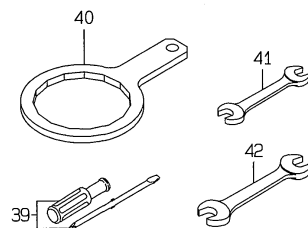
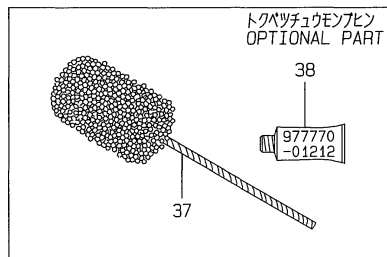
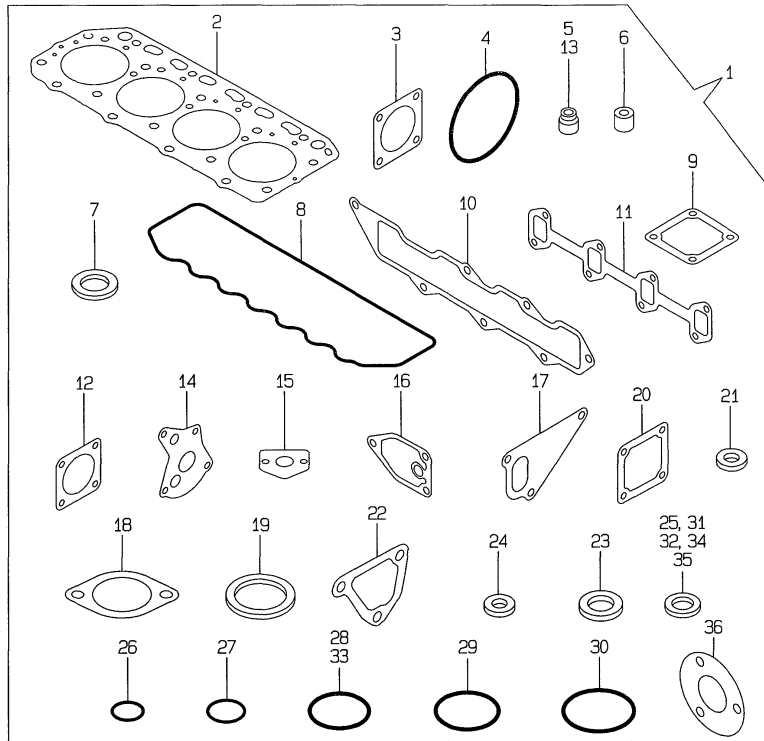


No.	Lev.	Parts No.	Description	Qty						I	R
				(A)	(B)	(C)	(D)	(E)	(F)		
26	2	129612-77740	PULLEY	1	1	1	1	1			W
		(A=E39207)									
27	2	129612-77750	SCREW KIT	1	1	1	1	1			W
		(A=E39207)									
28	1	119820-77340	PIECE, DISTANCE	1	1	1	1	1			
29	1	129136-77251	BOLT, M8X110	1	1	1	1	1			
30	1	26366-080002	NUT, M8	1							
30-1	1	129612-77260	NUT, ALTERNATOR	1	1	1	1	1			R
		(A=E38541)									
31	1	129136-77350	ADJUSTER	1	1	1	1	1			
31-1	1	129100-77330	ADJUSTER					1			N
		(E=E59591)									
32	1	26014-080352	BOLT, M8X 35	1	1	1	1	1			
32-1	1	119810-77340	BOLT, ADJUSTER					1			N
		(E=E59591)									
33	1	26106-080502	BOLT, M8X 50 PLATED	1							Z
		(A=E38938)									
34	1	129136-77100	RELAY, SAFETY	1	1	1	1	1			
35	1	119632-77920	TIMER	1	1	1	1	1			
35-1	1	129211-77920	TIMER	1	1	1	1	1			N
		(A=E39207) (B=*2000.10) (C=E56610) (D=E56596) (E=E55929)									
36	1	114654-77900	STOPPER ASSY	1							
36-1	1	119032-77910	MOTOR ASSY	1	1	1	1	1			N
		(A=E37950)									
36-2	1	119032-77910	MOTOR ASSY					1			Z
		(E=E59591)									
37	1	106500-44810	SPACER	1	1	1	1	1			Z
		(E=E59591)									
38	1	129136-66810	MOTOR, STOP					1			
39	1	26106-080502	BOLT, M8X 50 PLATED					1			W
		(E=E59591)									

Fig.17. GASKET SET

(A)=4TNE88-TB
(B)=4TNE88-TB1
(C)=4TNE88-ETB

(D)=4TNE88-ETB1
(E)=4TNE88-ETBZ
(F)=



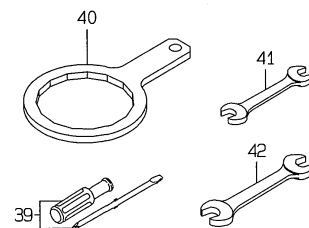
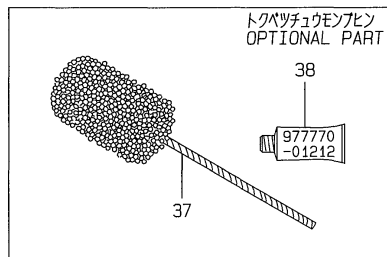
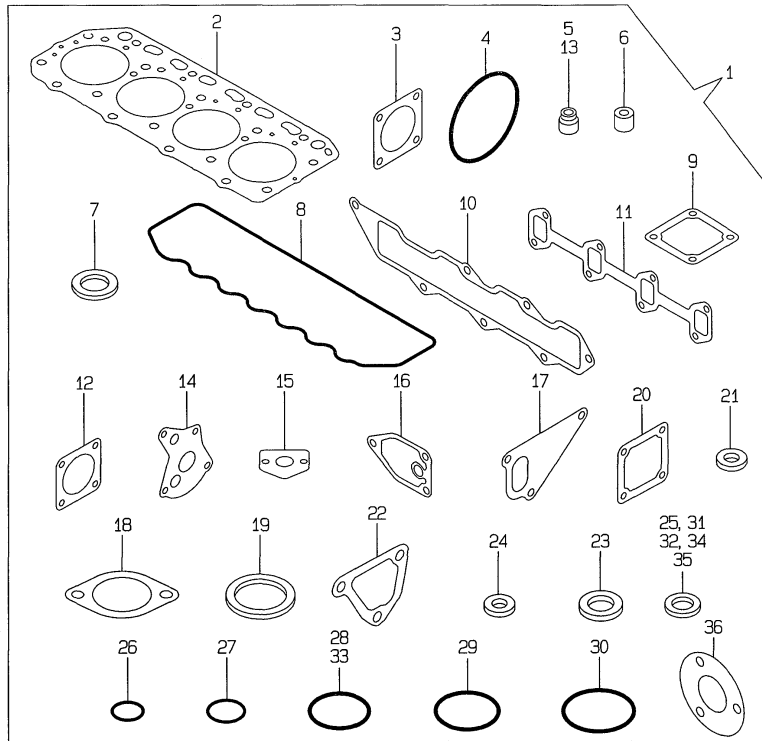
No.	Lev.	Parts No.	Description	Q'ty						I	R
				(A)	(B)	(C)	(D)	(E)	(F)		
1	1	729407-92640	GASKET SET	1							1
1-1	1	729407-92700	GASKET SET	1	1	1	1				N 1
		(A=EXXX)									
1-2	1	729407-92701	GASKET SET	1	1	1	1	1	1		N 1
		(A=EXXX) (B=EXXX) (C=EXXX) (D=EXXX)									
2	2	129407-01340	GASKET, HEAD	1	1	1	1	1			
3	2	124240-01883	GASKET	1	1	1	1				Z
		(A=EXXX) (B=EXXX) (C=EXXX) (D=EXXX)									
4	2	121850-51960	O-RING	1	1	1	1	1			
5	2	124460-11340	SEAL, VALVE STEM	4	4	4	4	4			
6	2	119625-11870	PROTECTOR, NOZZLE	4	4	4	4	4			
7	2	119625-11880	SEAT, NOZZLE	4	4	4	4	4			
8	2	129550-11310	GASKET, BONNET	1	1	1	1	1			
9	2	129150-77511	GASKET	1	1	1	1	1			
10	2	129407-12110	GASKET, MANIFOLD	1	1	1	1	1			
11	2	129550-13110	GASKET	1	1	1	1	1			
12	2	129400-13201	GASKET, SILENCER	1	1	1	1	4			
13	2	121400-11340	SEAL, VALVE STEM	4	4	4	4	4			
14	2	129150-32020	GASKET, PUMP	1	1	1	1	1			
15	2	129150-35041	GASKET	1	1	1	1	1			
16	2	129150-35111	GASKET	1	1	1	1	1			
17	2	129100-42020	GASKET, WATER PUMP	1	1	1	1				
17-1	2	129486-42021	GASKET, WATER PUMP	1	1	1	1	1			N
		(A=E39207) (B=*1999.08) (C=E44619) (D=E44920)									
18	2	129795-49551	GASKET	1	1	1	1	1			
19	2	129150-49811	GASKET, THERMOSTAT	1	1	1	1	1			
20	2	129100-77510	GASKET	1	1	1	1	1			
21	2	124465-44950	GASKET, 16	1	1	1	1	1			W
		(A=EXXX)									
22	2	129100-49840	GASKET	1	1	1	1				
22-1	2	124395-49840	GASKET	1	1	1	1	1			N
		(A=E39207) (B=*2000.03) (C=E51081) (D=E51218)									
23	2	129155-52050	GASKET	1	1	1	1	1			
24	2	22190-080002	WASHER, SEAL 6	7	7	7	7	7			
25	2	23414-100000	GASKET, 10X1.0	2	2	2	2				
25-1	2	22190-100002	WASHER, SEAL 10	2	2	2	2	2			N
		(A=E39207) (B=*1999.10) (C=E45989) (D=E46180)									
26	2	24311-000120	O-RING, 1AP12.0	3	3	3	3	3			
27	2	24311-000160	O-RING, 1AP16.0	3	3	3	3	3			
28	2	24311-000320	O-RING, 1AP32.0	3							
28-1	2	24311-000320	O-RING, 1AP32.0	2	2	2	2	2			K
		(A=E40680)									
29	2	24341-000240	O-RING, 1AS24.0	1	1	1	1	1			
30	2	24341-000500	O-RING, 1AS50.0	1	1	1	1	1			
31	2	22190-220002	WASHER, SEAL 22	1							
31-1	2	24341-000250	O-RING, 1AS25.0	1	1	1	1	1			S
		(A=E38541)									
32	2	129150-49360	GASKET	1	1	1	1	1			W
		(A=EXXX)									
33	2	24321-000300	O-RING, 1AG30.0	1	1	1	1				W
		(A=EXXX)									

Remarks
(1) OPTIONAL PART.

Fig.17. GASKET SET

(A)=4TNE88-TB
(B)=4TNE88-TB1
(C)=4TNE88-ETB

(D)=4TNE88-ETB1
(E)=4TNE88-ETBZ
(F)=



No.	Lev.	Parts No.	Description	Q'ty						I	R
				(A)	(B)	(C)	(D)	(E)	(F)		
33-1	2	129486-42140	O-RING, G30 (A=E39207) (B=*1999.07) (C=E43700) (D=E43720)	1	1	1	1	1		N	
34	2	23414-120000	GASKET, 12X1.0 (A=E39207) (B=*1999.07) (C=E43700) (D=E43720)	2	2	2	2			W	
34-1	2	23414-120000	GASKET, 12X1.0 (A=E39207) (B=*1999.07) (C=E43700) (D=E43720)	2	2	2	2			Z	
35	2	22190-120002	WASHER, SEAL 12 (A=E39207) (B=*1999.07) (C=E43700) (D=E43720)	2	2	2	2			W	
35-1	2	22190-120002	WASHER, SEAL 12 (A=E39207) (B=*1999.07) (C=E43700) (D=E43720)	4	4	4	4	4		K	
36	2	103954-13201	GASKET, SILENCER (A=E38009)	1						Z	
37	1	129400-92420	HONE	1	1	1	1	1		1	
38	1	977770-01212	GASKET, LIQUID	1	1	1	1	1		1	
39	1	104200-92350	DRIVER, SCREW	1	1	1	1	1			
40	1	119640-92750	WRENCH, FILTER 80	1	1	1	1	1			
41	1	28110-100120	SPANNER, 10X12	1	1	1	1	1			
42	1	28110-140170	SPANNER, 14X17	1	1	1	1	1			

Remarks
(1) OPTIONAL PART.

Parts No. Index

Parts No.	Fig. No.	Ref. No.
101304-59020	14	16
101720-55750	14	31
102103-55520	14	26
103854-39140	14	15
103954-13201	6	20
	17	36
104200-55321	14	2
		22
104200-55330	14	3
		23
104200-55341	14	24
104200-55750	14	10
		32
104200-92350	17	39
105025-59530	13	57
106500-44810	16	37
110250-55610	14	27
114250-39450	9	29 -2
114250-53080	13	5
114250-53120	13	9
114250-53130	13	10
114250-53140	13	11
114250-53210	13	12
114250-53400	13	13
114654-77900	16	36
119032-44502	10	48
119032-44591	10	54
119032-44660	10	49
		60
119032-44670	10	62
119032-44680	10	63
119032-77910	16	36 -1
		36 -2
119131-18320	6	5
119140-12680	5	28
119266-49350	10	32
119285-66650	12	115
119285-77951	12	78
119285-77952	12	78 -1
119305-59120	13	20
119609-32040	2	13 -1
119620-01750	3	3
119625-11870	4	24
	17	6
119625-11880	4	23
	17	7
119625-11900	4	22
119632-77920	16	35
119640-01640	3	7
119640-92750	17	40

Parts No.	Fig. No.	Ref. No.
119660-61901	12	56
119802-11280	4	38 -1
119808-12520	5	25
119808-12540	5	27
119810-77340	16	32 -1
119820-77340	16	28
119836-77200	16	1
119836-77201	16	1 -1
119836-77700	16	2
119836-77710	16	4
119836-77721	16	5
119836-77730	16	6
119836-77741	16	7
119836-77750	16	8
119836-77760	16	9
119836-77770	16	10
119836-77780	16	11
119836-77790	16	15
119836-77800	16	16
119836-77810	16	19
119836-77820	16	20
119836-77830	16	21
119836-77840	16	17
119836-77850	16	3
119836-77860	16	18
119836-77871	16	12
119836-77880	16	13
119836-77890	16	14
119836-77920	16	24
119840-59500	13	42 A
119840-59560	13	43
119840-59570	13	44
119840-59601	14	39
		39 -1
		39 -2
119840-59621	14	42
		42 -1
		42 -2
119865-21600	8	16
119866-12541	5	26
119869-12220	5	34
		35
119883-12210	5	18
119908-61501	12	31 -1
119910-12210	5	6
119910-12510	5	24
119910-12560	5	7
120130-11860	4	8
120323-61470	12	108 -1
121023-01550	2	25

Parts No.	Fig. No.	Ref. No.
121111-21501	8	12
121120-13590	6	12
121250-44901	10	26
121250-59550	13	42
121256-44600	10	41
121257-55720	14	28
121257-55731	14	29
121267-44760	10	18
121400-11340	4	19
	17	13
121400-44900	10	61
121450-01560	2	6
121450-44531	10	36
121470-44581	10	38
121520-34810	9	40
121550-23200	8	30
121750-49110	10	1
121850-21680	8	11
121850-51960	2	12
	17	4
121855-12060	5	17
122117-51560	11	51
122710-51090	11	11
123900-13610	6	6 -1
123900-13630	6	4 -1
124064-55510	14	25
124066-59100	13	41
		41 -1
		42 B
	14	37
124160-01751	2	7
	4	43
124160-01910	1	5
		6
124160-11360	4	61
124160-39140	9	30
124160-39450	9	29 -1
124160-39451	9	29
124240-01871	2	8
124240-01883	2	9
	17	3
124395-49840	10	24 -1
	17	22 -1
124450-44550	10	40
124450-44560	10	37
124460-11340	4	20
	17	5
124465-44950	10	27
	17	21
124550-51350	11	33

Parts No.	Fig. No.	Ref. No.
124550-51370	11	34
124550-59820	9	36
124550-59830	9	35
124550-66370	12	58
124550-77030	15	31
124736-07900	4	2
124766-59050	13	56
	14	18
		40
		40 -1
		40 -2
124950-51190	11	18
129001-01250	1	12 -1
129001-02930	1	24 A
129001-22081	8	17
129001-22500	8	19
129001-22901	8	33
129001-22950	8	35
129001-35300	9	25
129001-42002	10	2
129001-42003	10	2 -1
129001-42040	10	29
129001-91840	2	21
129001-91841	2	21 -1
129052-55620	14	1
129052-61050	12	5
129052-61060	12	6
129052-61070	12	7
129052-61390	12	30
129052-61500	12	31
129052-61540	12	46
129100-01580	3	1
		15
	8	2
129100-01640	3	16
129100-11100	4	14
129100-11110	4	15
129100-11650	4	34
129100-23910	8	29
129100-25061	7	9
129100-42020	10	33
	17	17
129100-49840	10	24
	17	22
129100-51300	11	28
129100-51560	11	52 -1
129100-51570	11	51 -1
129100-52200	11	103
129100-55650	14	4
129100-55670	14	6

Parts No. Index

Parts No.	Fig. No.	Ref. No.
129100-55680	14	7
129100-55690	14	8
129100-55700	14	9
129100-59951	13	46
129100-61400	12	16
129100-61440	12	75
129100-61650	12	76
129100-61930	12	80
129100-77330	16	31 -1
129100-77500	5	11
129100-77510	5	12
	17	20
129102-53000	13	2
129110-44740	10	55
129132-12210	5	33
129132-44590	10	57
129132-61550	12	81
129136-66810	16	38
129136-77011	15	1 -1
129136-77100	16	34
129136-77251	16	29
129136-77310	15	13 -1
129136-77350	16	31
129136-77520	15	12 -1
129150-01200	1	30
129150-02020	1	8
129150-02450	7	4
129150-02870	1	32
129150-02930	1	25
129150-02940	1	35
129150-03020	4	44
129150-03070	4	45
129150-03080	4	46
129150-03100	2	11
129150-11230	4	35
129150-11280	4	30
129150-11370	4	21
129150-11750	4	37
129150-11810	4	10
129150-14101	7	7
129150-14200	7	1
129150-14400	7	2
129150-21200	8	5
129150-23600	8	31
129150-23610	8	39
129150-25101	7	10
129150-25301	7	19
129150-25900	7	15
129150-25920	7	13
129150-25930	7	16

Parts No.	Fig. No.	Ref. No.
129150-25931	7	16 -1
129150-32020	9	14
	17	14
129150-35041	9	16
	17	15
129150-35042	9	16 -1
129150-35091	9	17
129150-35101	9	22
129150-35111	9	23
	17	16
129150-35151	9	24
129150-35350	9	26
129150-49080	10	44
129150-49100	10	43
129150-49360	10	28
	17	32
129150-49811	10	23
	17	19
129150-59131	13	23
129150-59580	13	45
	14	38
129150-77511	5	13
	17	9
129155-11260	4	28
129155-11270	4	29
129155-49800	10	22
129155-51020	11	8
129155-51050	11	93
129155-51051	11	93 -1
129155-51060	11	94
129155-51140	11	15
129155-51180	11	17
129155-51200	11	19
129155-51270	11	26
129155-51280	11	27
	12	2
129155-51320	11	31
129155-51340	11	32
129155-51370	11	35
129155-51380	11	36
129155-51390	11	37
129155-51410	11	39
129155-51420	11	40
129155-51450	11	41
129155-51521	11	47
129155-51530	11	48
129155-51540	11	49
129155-51550	11	50
129155-51570	11	53
129155-51580	11	54

Parts No.	Fig. No.	Ref. No.
129155-51591	11	55
129155-51600	11	56
129155-51790	11	79
129155-51930	11	81
129155-51940	11	82
129155-52050	11	102
	17	23
129155-61120	12	8
129155-61130	12	9
129155-61140	12	10
129155-61201	12	11
129155-61202	12	11 -2
129155-61341	12	15
129155-61350	12	105
129155-61360	12	106
129155-61430	12	19
129155-61450	12	23
129155-61460	12	24
129155-61470	12	108
129155-61480	12	25
129155-61830	12	107
129155-61950	12	57
129156-51910	11	80
129202-22300	8	23
129208-51060	11	104
129208-54500	11	95
129209-61370	12	58 -1
129209-61930	12	80 -1
129209-61940	12	111
129209-61970	12	108 A
129210-59040	14	17
129210-59150	13	55
129211-77920	16	35 -1
129259-12570	5	29
129322-77401	14	36
129335-55700	14	21
129350-49560	10	20
129400-01520	2	5
129400-01730	3	10
129400-01770	3	6 -1
129400-11350	4	42
129400-13201	6	7
		25
	17	12
129400-77012	15	1
129400-77441	15	5
129400-77520	15	12
129400-77531	15	13
129400-77571	15	17
129400-92420	17	37

Parts No.	Fig. No.	Ref. No.
129402-13101	6	1
129403-42380	10	16
129407-01340	1	31
	17	2
129407-11700	4	4
129407-12100	5	1
129407-12110	5	3
	17	10
129407-21000	8	1
129407-21100	8	1 -1
129407-32000	9	1
129407-59910	13	37
129407-59920	13	33
129407-59940	13	25
129436-35070	9	17 -2
129436-35091	9	17 -1
129436-44740	10	17
129457-49800	10	22 -2
129457-49801	10	22 -3
129466-21650	8	9
129470-51040	11	9
129486-01670	3	19
129486-42021	10	33 -1
	17	17 -1
129486-42140	10	30 -1
	17	33 -1
129486-61200	12	11 -1
129486-61201	12	11 -3
129486-61540	12	46 -1
129486-61710	12	77 -1
129486-77400	15	2
129486-77460	15	6
		8
129486-77470	15	7
129486-77490	15	9
129489-61700	12	77
129500-11240	4	27
129506-51100	11	12
129550-11290	4	31
129550-11310	4	49
	17	8
129550-13110	6	2
	17	11
129550-21650	8	9 -1
129550-39450	9	31
129555-51400	11	38
129555-51500	11	46
129555-51700	11	75
129555-51701	11	75 -1
129555-51710	11	76

Parts No. Index

Parts No.	Fig. No.	Ref. No.
129555-51711	11	76 -1
129555-51750	11	77
129555-51751	11	77 -1
129555-51760	11	78
129555-59510	14	19
129574-49800	10	22 -1
129612-01600	3	2
129612-12240	5	33 -1
		33 -2
129612-12241	5	30
129612-12250	5	31
129612-12260	5	32
129612-12270	5	36
129612-12560	5	21
129612-12680	5	20
129612-12681	5	20 -1
129612-12690	5	23
129612-12691	5	23 -1
129612-13590	6	8
129612-13610	6	8 -1
129612-13611	6	8 -2
129612-13620	6	10
129612-13630	6	11
129612-13640	6	9
129612-13680	6	22
129612-21570	8	13
129612-49010	10	52
129612-49020	10	53
129612-49021	10	53 -1
129612-59831	13	29
129612-77260	16	30 -1
129612-77700	16	22
129612-77710	16	23
129612-77730	16	25
129612-77740	16	26
129612-77750	16	27
129688-01780	3	6 -2
129795-01780	3	18
129795-01800	2	4
129795-01950	2	10
129795-02411	1	28
129795-11120	4	16
129795-11180	4	17
129795-21661	8	10
129795-49551	10	21
	17	18
129900-77400	15	2 -1
129900-77440	15	5 -1
129900-77450	15	6 -1
129900-77460	15	10

Parts No.	Fig. No.	Ref. No.
129900-77480	15	7 -1
129900-77500	15	8 -1
129900-77640	15	18
129953-12620	5	28 -1
129953-44510	10	59
129953-44910	10	58
158552-61900	12	66 -1
170124-13500	6	24
171008-77410	15	3
171008-77420	15	4
171008-77450	15	6 A
171008-77510	15	11
171008-77540	15	14
171008-77650	15	19
171008-77660	15	20
171008-77670	15	21
171031-11741	2	29
		31
171051-01921	1	7
171064-44510	10	34
171081-55910	14	33
171091-13670	6	21
171091-44900	10	51
171301-01640	3	7 -1
171301-21650	8	41
171340-77520	5	14
171350-03090	4	1
171420-34800	9	39
171420-34820	9	39 -1
174307-51170	11	16
174307-51560	11	52
174307-51700	12	32
22117-040000	12	59
22137-100000	6	14
22190-060002	12	60
22190-060003	12	60 -1
22190-080002	2	23
		24
	9	37
		37 -1
		41
	17	24
22190-100002	9	38 -1
	12	61
	17	25 -1
22190-120002	12	62
	13	54 -1
	14	20
	17	35
		35 -1

Parts No.	Fig. No.	Ref. No.
22190-160002	11	83
22190-220002	3	9
	17	31
22217-050000	11	84
22217-060000	11	85
22217-100000	6	15
22217-120000	7	17
	11	97
22252-000260	8	24
22287-120000	12	63
22351-040010	8	8
22351-050010	11	86
22351-060012	4	25
22372-040000	12	64
22512-070140	7	8
	8	6
23000-060000	5	8
		8 -1
		8 -2
		8 -3
		19
		22
23010-038000	10	42
		42 -1
23010-050000	10	50
23065-070225	10	39
23414-100000	9	38
	17	25
23414-120000	13	54
	17	34
		34 -1
23414-120016	12	108 B
23418-060000	14	34
23871-010000	1	11
23871-030000	1	15
	10	13
23876-010000	1	11 -1
23876-030000	1	15 -1
	10	13 -1
23887-100002	12	65
24101-063034	11	87
24311-000120	4	62
	17	26
24311-000150	12	113
24311-000160	2	13
	9	27
	14	11
	17	27
24311-000320	2	14
		30

Parts No.	Fig. No.	Ref. No.
24311-000320	2	32
	4	50
	17	28
		28 -1
24311-240100	14	12
		35
24321-000300	10	30
	17	33
24321-000650	14	13
24341-000160	11	88
24341-000240	2	26
	17	29
24341-000250	3	9 -1
	17	31 -1
24341-000280	12	66
24341-000500	4	51
	17	30
25132-003800	10	15 -1
25132-003900	10	15
26013-080222	5	9
		10
26014-060302	10	19
26014-080352	16	32
26014-080702	14	14
26022-050102	11	89
26022-050122	11	89 -1
26022-060162	11	90
26106-060102	12	67
		68
		69
26106-060142	12	70
26106-060162	2	27
26106-060202	12	71
26106-060302	10	56
26106-060322	15	28
26106-060402	15	29
26106-080122	2	15
26106-080142	4	3
26106-080162	1	29
	2	16
		17
	3	12
	4	52
	10	31
26106-080202	2	18
	5	4
	9	28
	10	25
26106-080252	3	13
	4	40

Parts No. Index

Parts No.	Fig. No.	Ref. No.
26106-080352	3	20
	6	23
	9	21
26106-080402	5	15
26106-080452	2	19
	3	14
		14 -1
	7	14
26106-080502	3	22
	4	41
	16	33
		39
26106-080552	2	20
	9	21 -1
26106-080602	10	14
26106-080802	5	5
		16
	6	4
26106-100162	6	18
26106-100652	6	16
26116-050302	11	91
26116-120252	15	30
26206-100252	3	4
26206-100302	3	5
26216-060202	4	12
26216-080802	6	6
26226-080182	4	38
26306-080002	2	22 -1
	6	3 -1
		19 -1
26366-060002	4	26
26366-080002	2	22
	6	3
		19
		26
	12	74
	16	30
26450-060252	9	15
26687-120002	12	79
26706-100002	6	17
26716-060002	11	92
26716-120002	7	18
	11	98
26736-120002	12	73 A
26756-060002	12	72
26756-080002	4	39
26776-120002	12	73
		73 -1
27231-500000	1	12
27241-120000	1	13

Parts No.	Fig. No.	Ref. No.
27241-300000	1	14
27241-400000	4	13
27310-080001	4	18
28110-100120	17	41
28110-140170	17	42
719810-01500	2	1
729102-53100	13	1
729402-01540	3	6
729402-14580	7	3
729402-23100	8	25
729407-01561	1	1
729407-92640	17	1
729407-92700	17	1 -1
729407-92701	17	1 -2
729612-51400	11	1
729612-51450	11	2
977770-01212	2	28
	3	21
	17	38
X0227108012	10	49 A
X2114555500	15	25
X2114955020	15	26
X2240410100	15	27

Parts No.	Fig. No.	Ref. No.
-----------	----------	----------

Parts No.	Fig. No.	Ref. No.
-----------	----------	----------