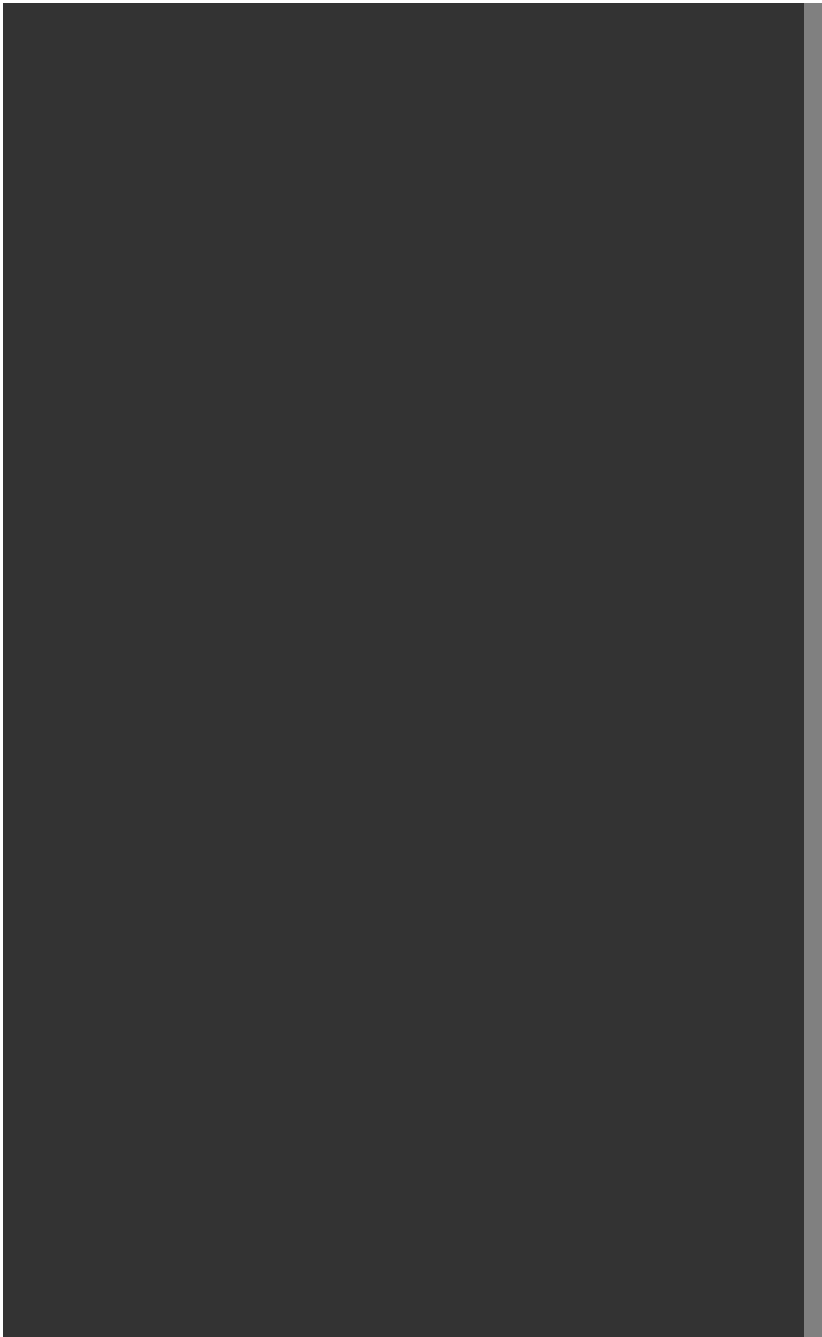


OCD10-M65500EN



PREFACE

1. This parts catalog is the Second edition of 3TNE68-NTB for Takeuchi Mfg. Co., Ltd.
2. This parts catalog does not contain the technical data needed for maintenance service.
3. The illustrations used in this parts catalog have been simplified for clarity.

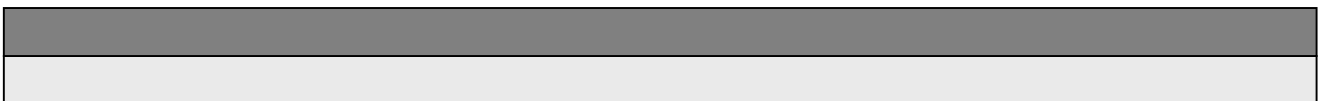
Pub. No.: 000Y00D6550

Published: May., 1998

4. Model name

Engine model	Vehicle		Vehicle made by
	Products	Model name	
3TNE68-NTB	EXCAVATOR	TB015	Takeuchi Mfg. Co., Ltd.

5. The contents of this parts catalog are subject to change without prior notice.



Directions for the Parts Catalog.

1. The parts stipulated in this Parts Catalog are not necessarily standard equipped parts.
2. Parts may change without prior notice.
3. The following is an example of the Parts Catalog format.

REF.	LEV.	PARTS NO.	DESCRIPTION	Q'TY						I	R
				(A)	(B)	(C)	(D)	(E)	(F)		
1	1	729595-51390	FUEL INJECTION PUMP	1	1	1	1	1			1
1-1	1	729595-51391	FUEL INJECTION PUMP	1	1	1	1	1		N	1
		(A=E00185) (B=E00200)									
3	2	26022-060162	SCREW M 6X 16	9	9	9	9	9			
3-1	2	26022-060162	SCREW M 6X 16	4	4	4	4	4		K	
		(A=E00156) (B=E00156) (C=E00156) (D=E00156) (E=E00156)									
4	2	129470-51040	CAMSHAFT	1	1	1	1	1			
5	2	122710-51050	BEARING, ROLLER	2	2	2	2	2			
6	2	129470-51060	RETAINER	1	1	1	1	1			

Remarks
(1) BOOST COMPEMSATOR TYPE. OPTIONAL PART, TO E00155,(4JH-DT, 4JH-DTZ

① Ref. No.

The Ref. No. listed may not be in accordance with the illustration Ref. No.

(Ex.) Illustration No.

List Ref No.

1

1

(Before change)

1-1

(After change)

For interchangeable symbols N, R and K, illustrations for new parts may be abbreviated.

② Lev. (Level)

Level indication

The numbers below indicate the level of relativity towards the main part.

1 ----- Main parts (Assembly parts)

2 ----- Sub component included in " 1 ".

3 ----- Sub component included in " 2 ".

Note) Parts that are not for sale are partially illustrated but not listed.

③ Interchangeability Mark

When a part change takes place, one of the following interchangeability symbols is indicated beside the part.

Symbol	Interchangeability	Contents note
N	Old $\begin{matrix} \leftarrow \text{Yes} \\ \text{No} \rightarrow \end{matrix}$ New	New Part is interchangeable for Old Part but Old Part is not interchangeable for New Part.
Q	Old $\begin{matrix} \leftarrow \text{No} \\ \text{Yes} \rightarrow \end{matrix}$ New	New Part is not interchangeable for Old Part but Old Part is interchangeable for New Part.
R	Old $\begin{matrix} \leftarrow \text{Yes} \\ \text{Yes} \rightarrow \end{matrix}$ New	New/ Old Parts are both interchangeable.
S	Old $\begin{matrix} \leftarrow \text{No} \\ \text{No} \rightarrow \end{matrix}$ New	New/ Old Parts are both not interchangeable.
W		Part newly added.
Z		Part discontinued.
F		Not interchangeable by a single part but interchangeable together with related parts.
K		Changes only for used parts quantities.

④ Effective Machine No.

When a part changes, the effective Machine No. will be indicated in the (A)-(F) column.

Product Symbol	Product No.	Product Symbol	Product No.
C	Clutch No. Compressor No.	F	Machine No. (Agricultural Equip.)
D	Drive No.	M	Machine No.
E	Engine No.		

Note 1) A date may follow the symbol. (Ex.) 1996.01

Note 2) " XXXXX " and " ZZZZZ " are for parts that could not be predicted or for engine models that could not be identified.

Note 3) (A=E00185) is the E (Engine Serial Number) for the column (A) model (in this case 4JH-DT) after the parts design change.

⑤ Remarks Mark

Figures or alphabets (symbols) are entered in the remarks column.

The comments (remarks) on parts that are indicated at the bottom of the illustration are the same symbols as those stated above.

Contents

OCD10-M65500

Fig. No. Fig. Name

3TNE68-NTB

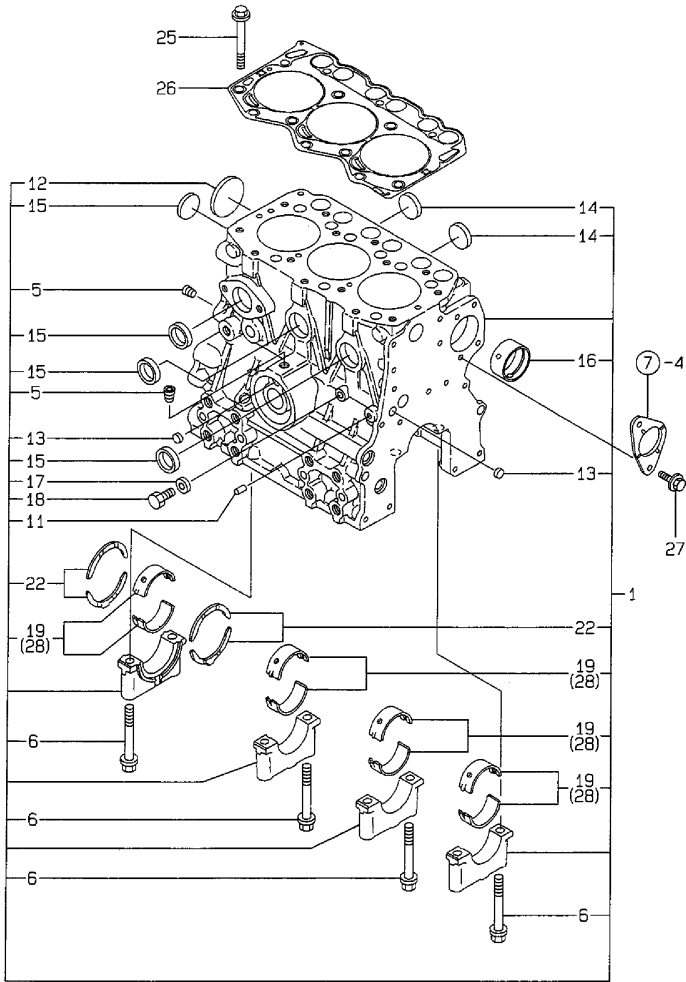
1. CYLINDER BLOCK
2. GEAR HOUSING
3. FLYWHEEL HOUSING & OIL SUMP
4. CYLINDER HEAD & BONNET
5. SUCTION MANIFOLD & AIR CLEANER
6. EXHAUST MANIFOLD & SILENCER
7. CAMSHAFT & DRIVING GEAR
8. CRANKSHAFT & PISTON
9. LUB.OIL SYSTEM
10. COOLING WATER SYSTEM
11. FUEL INJECTION PUMP
12. GOVERNOR
13. FUEL INJECTION VALVE
14. FUEL LINE
15. STARTING MOTOR
16. GENERATOR
17. GASKET SET & TOOLS

Fig. No. Fig. Name

Fig.1. CYLINDER BLOCK

(A)=3TNE68-NTB
(B)=
(C)=

(D)=
(E)=
(F)=



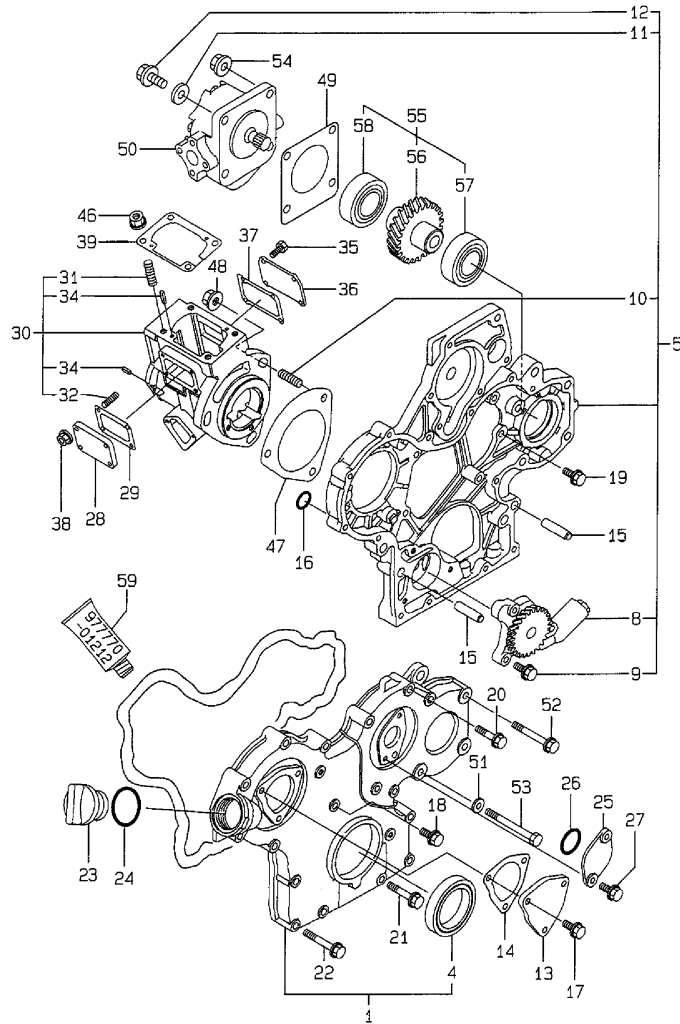
No.	Lev.	Parts No.	Description	Q'ty						I	R
				(A)	(B)	(C)	(D)	(E)	(F)		
1	1	719266-01560	BLOCK ASSY, CYLINDER	1							
5	2	124060-01050	PLUG, PT1/8	2							
6	2	119260-02020	BOLT, METAL CAP	8							
11	2	27221-060100	PLUG, 6X10	1							
12	2	27231-400000	PLUG 40	1							
13	2	27241-100000	PLUG, 10	2							
14	2	27241-250000	PLUG, 25	3							
15	2	27241-300000	PLUG 30	4							
16	2	119266-02410	BUSH	1							
17	2	22190-080002	WASHER, SEAL 6	1							
18	2	26106-080122	BOLT, M8X 12 PLATED	1							
19	2	119260-02800	BEARING, MAIN	4							
22	2	119260-02930	BEARING, THRUST	2							
25	1	119266-01200	BOLT, HEAD	14							
26	1	119266-01330	GASKET, HEAD	1							
27	1	26106-060122	BOLT, M6X 12 PLATED	2							
28	1	719260-02870	BEARING, 0.25 US	4							1

Remarks
(1) UNDER-SIZE(U.S=0.25)PART.

Fig.2. GEAR HOUSING

(A)=3TNE68-NTB
(B)=
(C)=

(D)=
(E)=
(F)=



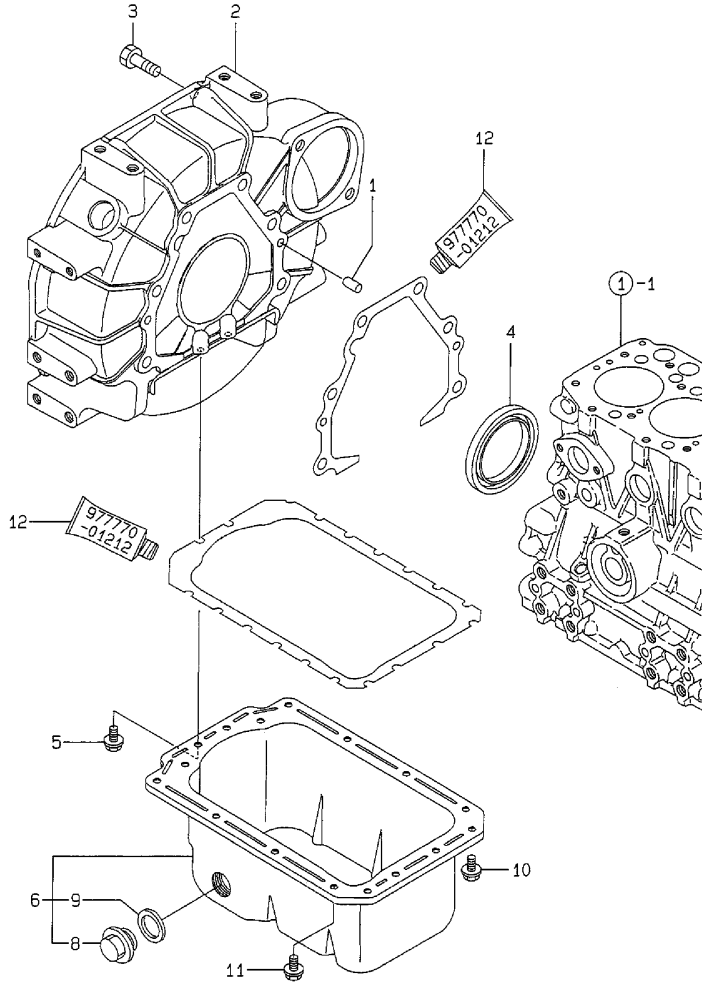
No.	Lev.	Parts No.	Description	Q'ty						I	R
				(A)	(B)	(C)	(D)	(E)	(F)		
1	1	719266-01601	CASE ASSY, GEAR	1							
4	2	119620-01800	SEAL, OIL	1							
5	1	119266-01580	CASE ASSY, GEAR	1							
8	2	119266-32000	PUMP ASSY, OIL	1							
9	2	26106-060252	BOLT, M6X 25 PLATED	3							
10	2	26216-080202	STUD, M8X 20	3							
11	2	22190-080002	WASHER, SEAL 6	1							
12	2	26106-080222	BOLT, M8X 22 PLATED	1							
13	1	119624-01740	COVER	1							
14	1	119624-01750	GASKET	1							
15	1	119266-01910	PIPE, KNOCK	2							
16	1	24311-000120	O-RING, 1AP12.0	2							
17	1	26106-060122	BOLT, M6X 12 PLATED	3							
18	1	26106-060162	BOLT, M6X 16 PLATED	1							
19	1	26106-060202	BOLT, M6X 20 PLATED	6							
20	1	26106-060352	BOLT, M6X 35 PLATED	7							
21	1	26106-060602	BOLT, M6X 60 PLATED	8							
22	1	26106-060652	BOLT, M6X 65 PLATED	2							
23	1	124160-01751	COVER, FILLER	1							
24	1	24311-000320	O-RING, 1AP32.0	1							
25	1	121023-01550	COVER	1							
26	1	24341-000240	O-RING, 1AS24.0	1							
27	1	26106-060162	BOLT, M6X 16 PLATED	2							
28	1	119660-01551	COVER	1							
29	1	119660-01562	GASKET	1							
30	1	119266-01840	COVER	1							
31	2	121450-01560	STUD, M8X22	4							
32	2	119660-01570	STUD, M6X12	4							
34	2	22351-040010	PIN, SPRING 4.0X10	4							
35	1	26116-050082	BOLT, M5X 8 PLATED	4							
36	1	119266-01880	COVER	1							
37	1	119266-01890	GASKET	1							
38	1	26366-060002	NUT, M6	4							
39	1	119623-01950	SHIM SET, ADJUSTING	1							
46	1	194990-22050	NUT, M8	4							
47	1	119266-01870	GASKET	1							
48	1	26366-080002	NUT, M8	3							
49	1	124240-01883	GASKET	1							
50	1	119462-26010	PUMP ASSY, HYDRAULIC	1							
51	1	22137-080000	WASHER, 8	2							
52	1	26106-080702	BOLT, M8X 70 PLATED	1							
53	1	26116-081302	BOLT, M8X130 PLATED	2							
54	1	26366-080002	NUT, M8	4							
55	1	119263-26001	GEAR ASSY, PUMP	1							
56	2	119263-26201	GEAR, H.O. PUMP	1							
57	2	129350-26490	BEARING, BALL 16005	1							
58	2	24104-060054	BEARING, BALL 6005UU	1							
59	1	977770-01212	GASKET, LIQUID	1							1

Remarks
(1) OPTIONAL PART.

Fig.3. FLYWHEEL HOUSING & OIL SUMP

(A)=3TNE68-NTB
(B)=
(C)=

(D)=
(E)=
(F)=



No.	Lev.	Parts No.	Description	Qty						I	R	
				(A)	(B)	(C)	(D)	(E)	(F)			
1	1	129100-01580	PIN, M8X16	2								
2	1	119624-01600	HOUSING, FLYWHEEL	1								
3	1	26206-100202	BOLT, M10X 20 PLATED	6								
4	1	124085-02220	SEAL, OIL	1								
5	1	26106-060102	BOLT, M6X 10 PLATED	2								
6	1	119275-01770	SUMP ASSY, OIL	1								
8	2	119640-01640	PLUG, DRAIN M22	1								
9	2	22190-220002	WASHER, SEAL 22	1								
10	1	26106-060122	BOLT, M6X 12 PLATED	4								
11	1	26106-060102	BOLT, M6X 10 PLATED	10								
12	1	977770-01212	GASKET, LIQUID	1								1

Remarks
(1) OPTIONAL PART.

Fig.4. CYLINDER HEAD & BONNET

(A)=3TNE68-NTB

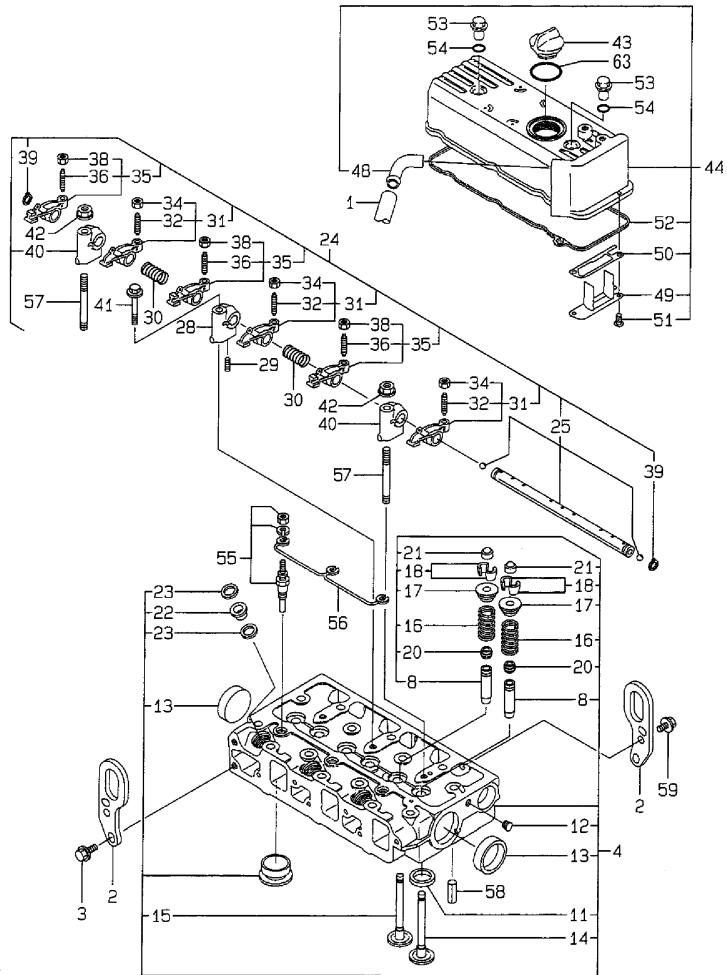
(B)=

(C)=

(D)=

(E)=

(F)=



No.	Lev.	Parts No.	Description	Q'ty						I	R
				(A)	(B)	(C)	(D)	(E)	(F)		
1	1	23065-120500	PIPE, 12X 500	1							
2	1	119260-07900	LIFTER	2							
3	1	26106-080142	BOLT, M8X 14 PLATED	2							
4	1	119266-11710	HEAD ASSY, CYLINDER	1							
8	2	119260-11800	GUIDE, VALVE	6							1
11	2	119620-11080	SEAT, INTAKE VALVE	3							
12	2	23871-005000	PLUG, R005	1							
13	2	27241-350000	PLUG, 35	2							
14	2	119266-11100	VALVE, INTAKE	3							
15	2	119260-11110	VALVE, EXHAUST	3							
16	2	114250-11120	SPRING, VALVE	6							
17	2	114250-11180	RETAINER, SPRING	6							
18	2	714250-11570	COTTER ASSY	6							
20	2	119260-11340	SEAL, VALVE STEM	6							
21	2	119260-11370	CAP, VALVE	6							
22	2	119600-11450	PROTECTOR, NOZZLE	3							
23	2	119600-11460	GASKET, NOZZLE	6							
24	1	119260-11200	SUPPORT ASSY, ARM	1							
25	2	119260-11240	SHAFT ASSY, ROCKER	1							
28	2	119260-11260	SUPPORT, ROCKER ARM	1							
29	2	119260-11270	SCREW	1							
30	2	119260-11280	SPRING	2							
31	2	719260-11650	ARM ASSY, ROCKER	3							
32	3	105010-11230	SCREW, VALVE ADJUST	3							
34	3	26756-060002	NUT, LOCK M6	3							
35	2	719260-11660	ARM ASSY, ROCKER	3							
36	3	105010-11230	SCREW, VALVE ADJUST	3							
38	3	26756-060002	NUT, LOCK M6	3							
39	2	22242-000100	RING, 10	2							
40	2	119265-11260	SUPPORT, ROCKER ARM	2							
41	1	26106-080452	BOLT, M8X 45 PLATED	1							
42	1	26366-080002	NUT, M8	2							
43	1	124160-01751	COVER, FILLER	1							
44	1	119266-11530	BONNET ASSY, HEAD	1							
48	2	119266-11390	JOINT	1							
49	2	119266-03200	PLATE, BAFFLE	1							
50	2	119266-03210	GASKET	1							
51	2	22857-500100	SCREW, 5X10	2							
52	2	119266-11310	GASKET, BONNET	1							
53	1	124160-11360	KNOB	2							
54	1	24311-000120	O-RING, 1AP12.0	2							
55	1	129155-77801	PLUG, GLOW	3							
56	1	119620-77820	CONNECTOR, GLOW PLUG	1							
57	1	119620-11350	STUD	2							
58	1	22351-060012	PIN, SPRING 6.0X12	2							
59	1	26106-080142	BOLT, M8X 14 PLATED	1							
63	1	24311-000320	O-RING, 1AP32.0	1							

Remarks

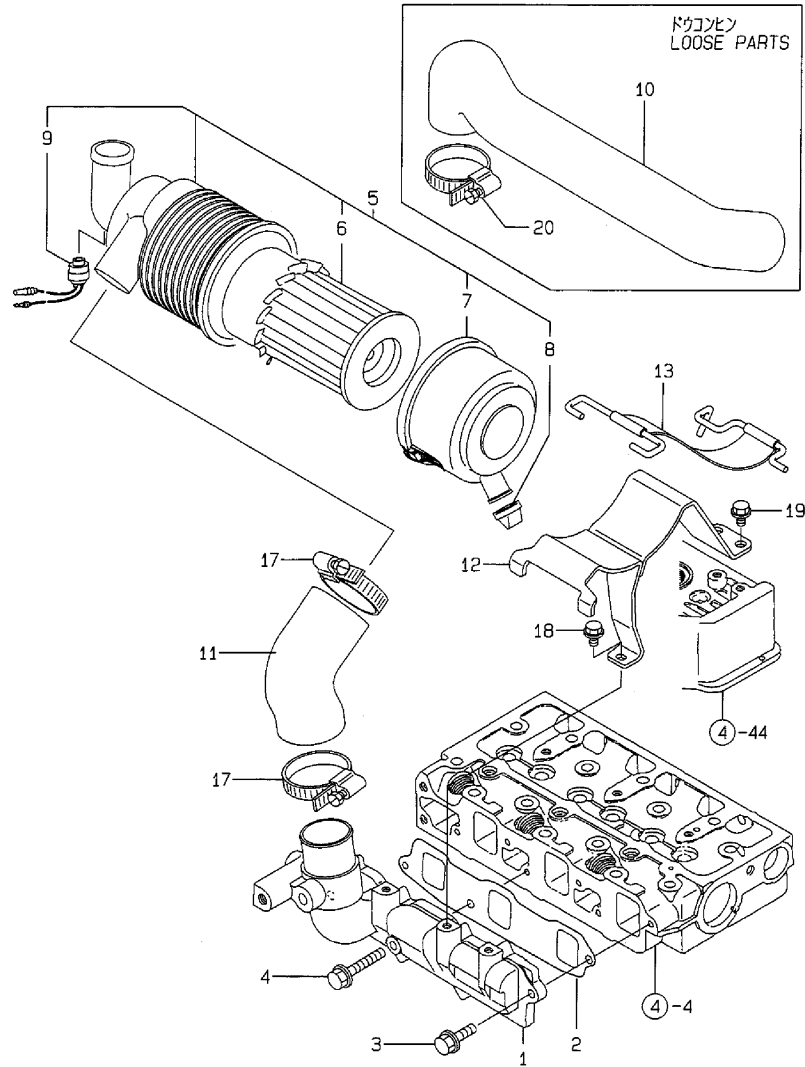
(1) REPAIR PART.

N:Old $\xrightarrow{\text{Yes}}$ New, Q:Old $\xrightarrow{\text{No}}$ New, R:Old $\xrightarrow{\text{Yes}}$ New, S:Old $\xrightarrow{\text{No}}$ New, W:Add, Z:Discontinued, F:Interchangeable by set, K:Q'ty Change

Fig.5. SUCTION MANIFOLD & AIR CLEANER

(A)=3TNE68-NTB
(B)=
(C)=

(D)=
(E)=
(F)=

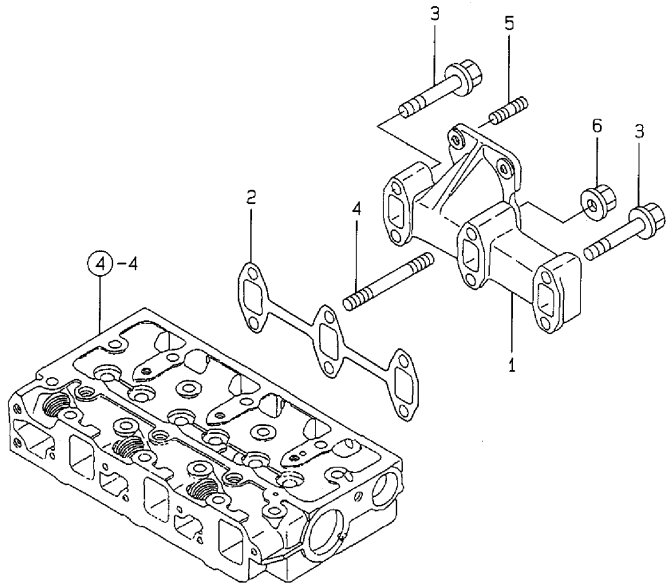
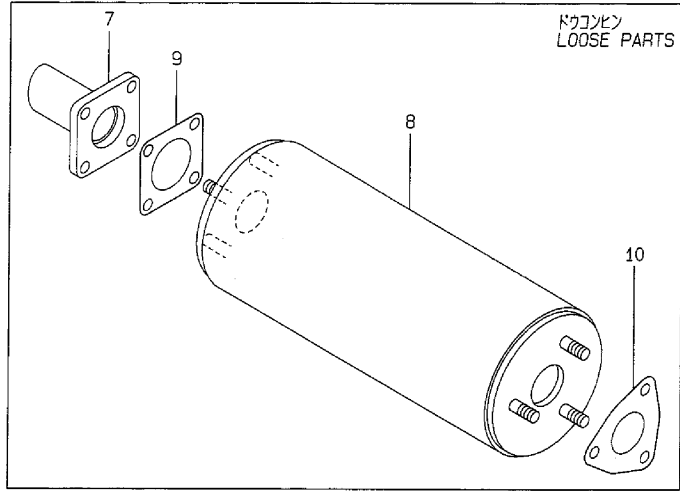


No.	Lev.	Parts No.	Description	Q'ty						I	R
				(A)	(B)	(C)	(D)	(E)	(F)		
1	1	119275-12100	MANIFOLD, AIR INTAKE	1							
2	1	119270-12110	GASKET, MANIFOLD	1							
3	1	26106-060162	BOLT, M6X 16 PLATED	2							
4	1	26106-060282	BOLT, M6X 28 PLATED	1							
5	1	119254-12500	CLEANER ASSY, AIR	1							
6	2	119655-12560	ELEMENT	1							
7	2	105027-12570	COVER, AIR CREAMER	1							
8	2	105027-12540	VALVE, UNLOADER	1							
9	2	126650-12680	INDICATOR	1							
10	1	119233-12210	PIPE, AIR INTAKE	1							
11	1	119233-12610	PIPE, AIR INTAKE	1							
12	1	119266-12580	BRACKET, AIR CLEANER	1							
13	1	119865-12600	BAND ASSY, CLEANER	1							
17	1	23000-054000	CLAMP, 54	2							
18	1	26106-060122	BOLT, M6X 12 PLATED	1							
19	1	26106-080142	BOLT, M8X 14 PLATED	2							
20	1	23000-054000	CLAMP, 54	1							

Fig.6. EXHAUST MANIFOLD & SILENCER

(A)=3TNE68-NTB
(B)=
(C)=

(D)=
(E)=
(F)=

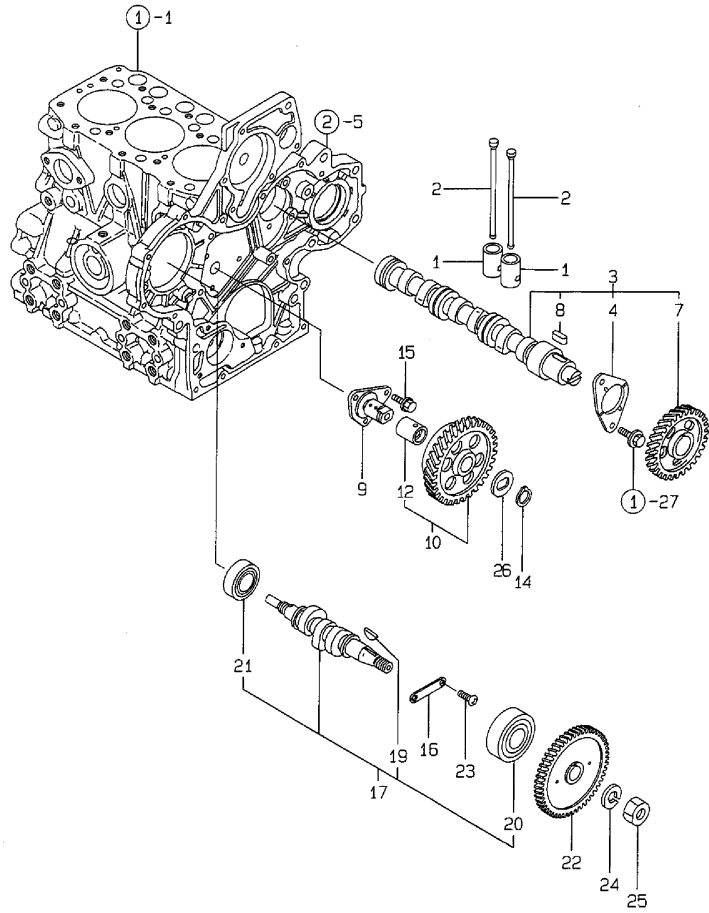


No.	Lev.	Parts No.	Description	Q'ty						I	R
				(A)	(B)	(C)	(D)	(E)	(F)		
1	1	119260-13100	MANIFOLD, EXHAUST	1							
2	1	119260-13110	GASKET	1							
3	1	26106-060352	BOLT, M6X 35 PLATED	4							
4	1	26216-060402	STUD, M6X 40	2							
5	1	119131-18320	STUD, M8X22	4							
6	1	26366-060002	NUT, M6	2							
7	1	119266-13580	PIPE	1							
8	1	119232-13500	SILENCER	1							
9	1	124701-11911	GASKET, SILENCER	2							
10	1	103954-13201	GASKET, SILENCER	1							

Fig.7. CAMSHAFT & DRIVING GEAR

(A)=3TNE68-NTB
(B)=
(C)=

(D)=
(E)=
(F)=



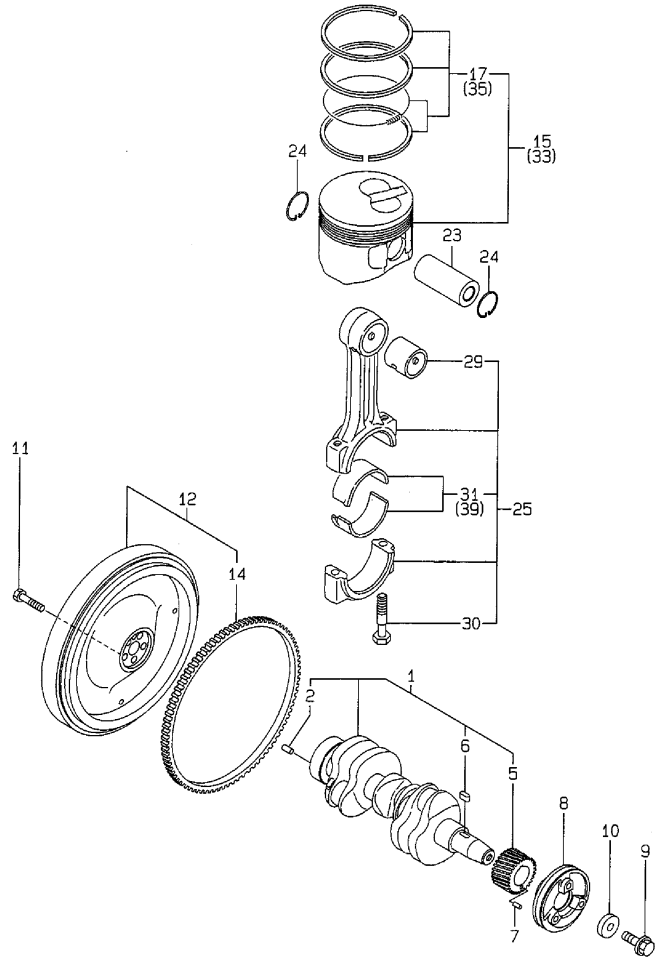
No.	Lev.	Parts No.	Description	Q'ty						I	R
				(A)	(B)	(C)	(D)	(E)	(F)		
1	1	119260-14200	TAPPET	6							
2	1	119260-14400	ROD, PUSH	6							
3	1	119260-14580	CAMSHAFT ASSY	1							
4	2	119620-02450	BEARING, THRUST	1							
7	2	119260-14100	GEAR, CAMSHAFT	1							
8	2	22512-040120	KEY, 4X 12	1							
9	1	119266-25050	SHAFT, IDLE GEAR	1							
10	1	119260-25100	GEAR ASSY, IDLE	1							
12	2	119620-25912	BUSH	1							1
14	1	22242-000200	RING, 20	1							
15	1	26106-060122	BOLT, M6X 12 PLATED	3							
16	1	119266-01900	RETAINER, BEARING	1							
17	1	119266-14200	CAM ASSY	1							
19	2	122710-51090	KEY	1							
20	2	24101-060034	BEARING, BALL 6003	1							
21	2	24102-063034	BEARING, BALL 6303U	1							
22	1	119266-25900	GEAR, PUMP	1							
23	1	26557-060102	SCREW, M6X10	2							
24	1	22217-120000	WASHER, SPRING 12	1							
25	1	26716-120002	NUT, M12	1							
26	1	119660-25022	RETAINER	1							

Remarks
(1) REPAIR PART.

Fig.8. CRANKSHAFT & PISTON

(A)=3TNE68-NTB
(B)=
(C)=

(D)=
(E)=
(F)=



No.	Lev.	Parts No.	Description	Q'ty						I	R
				(A)	(B)	(C)	(D)	(E)	(F)		
1	1	119266-21700	CRANKSHAFT ASSY	1							
2	2	129100-01580	PIN, M8X16	1							
5	2	119266-21200	GEAR, CRANKSHAFT	1							
6	2	22512-040120	KEY, 4X 12	1							
7	1	22351-030012	PIN, SPRING 3.0X12	1							
8	1	119266-21660	V-PULLEY	1							
9	1	119621-21680	BOLT, FLANGE 12X1.25	1							
10	1	119620-21941	WASHER	1							
11	1	121111-21501	BOLT, FLYWHEEL	5							
12	1	119266-21560	FLYWHEEL ASSY	1							
14	2	119865-21600	GEAR, RING	1							
15	1	119326-22081	PISTON ASSY	3							
17	2	119265-22500	RING SET, PISTON	3							
23	1	119265-22300	PIN, PISTON	3							
24	1	22252-000200	RING, 20	6							
25	1	119265-23100	ROD ASSY, CONNECTING	3							
29	2	119260-23910	BEARING, PISTON PIN	3							1
30	2	119265-23200	BOLT, CONNECTING ROD	6							
31	2	719260-23600	BEARING, CRANK PIN	3							
33	1	119266-22900	PISTON ASSY, 0.25 OS	3							2
35	2	119265-22950	RING SET, 0.25 OS	3							2
39	1	719260-23610	BEARING ASSY, 0.25	3							3

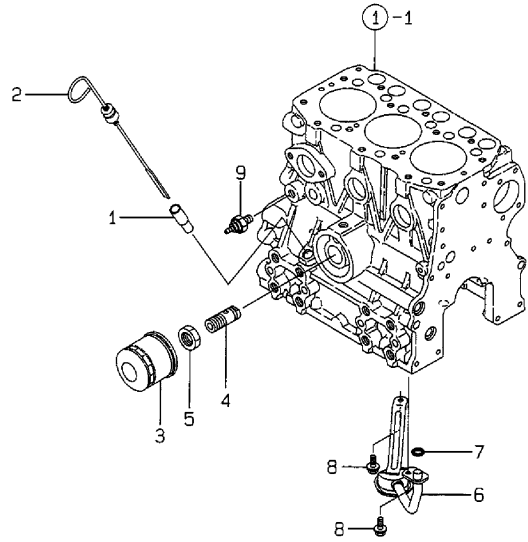
Remarks

- (1) REPAIR PART.
- (2) OVER-SIZE(O.S=0.25)PART.
- (3) UNDER-SIZE(U.S=0.25)PART.

Fig.9. LUB.OIL SYSTEM

(A)=3TNE68-NTB
(B)=
(C)=

(D)=
(E)=
(F)=

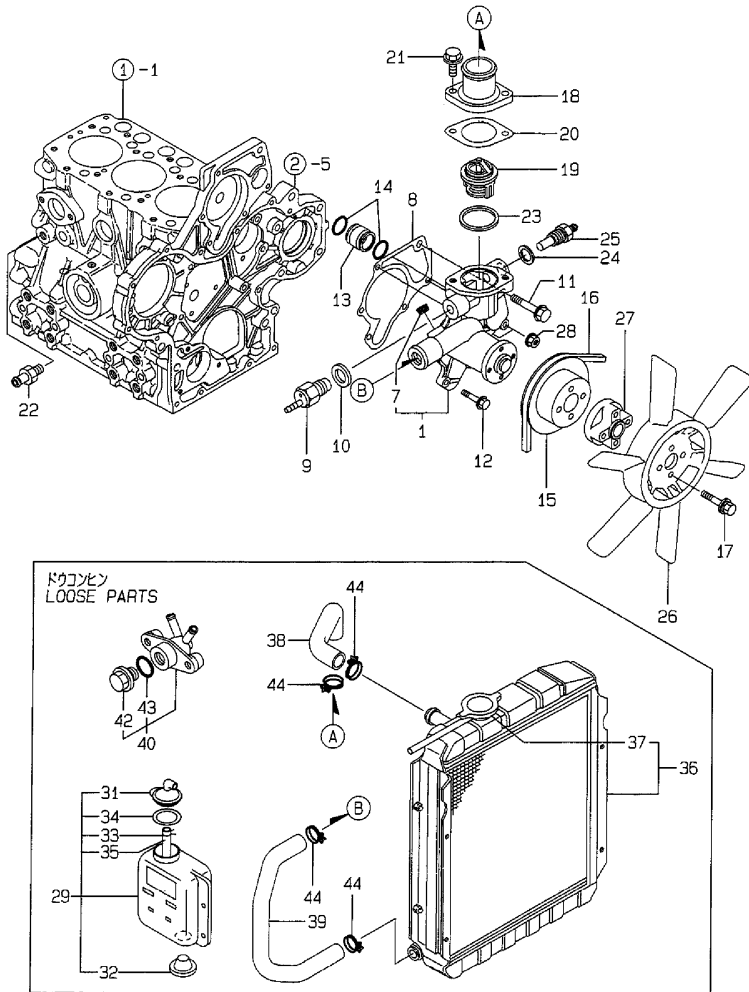


No.	Lev.	Parts No.	Description	Q'ty						I	R
				(A)	(B)	(C)	(D)	(E)	(F)		
1	1	121520-34810	GUIDE, DIPSTICK	1							
2	1	129132-34800	DIPSTICK, OIL	1							
3	1	119305-35150	FILTER, OIL	1							
4	1	119266-35310	STUD	1							
5	1	129150-35350	NUT	1							
6	1	119275-35080	PIPE, OIL INLET	1							
7	1	119209-35030	O-RING, P11	1							
8	1	26106-060122	BOLT, M6X 12 PLATED	2							
9	1	124160-39451	SWITCH	1							

Fig.10. COOLING WATER SYSTEM

(A)=3TNE68-NTB
(B)=
(C)=

(D)=
(E)=
(F)=



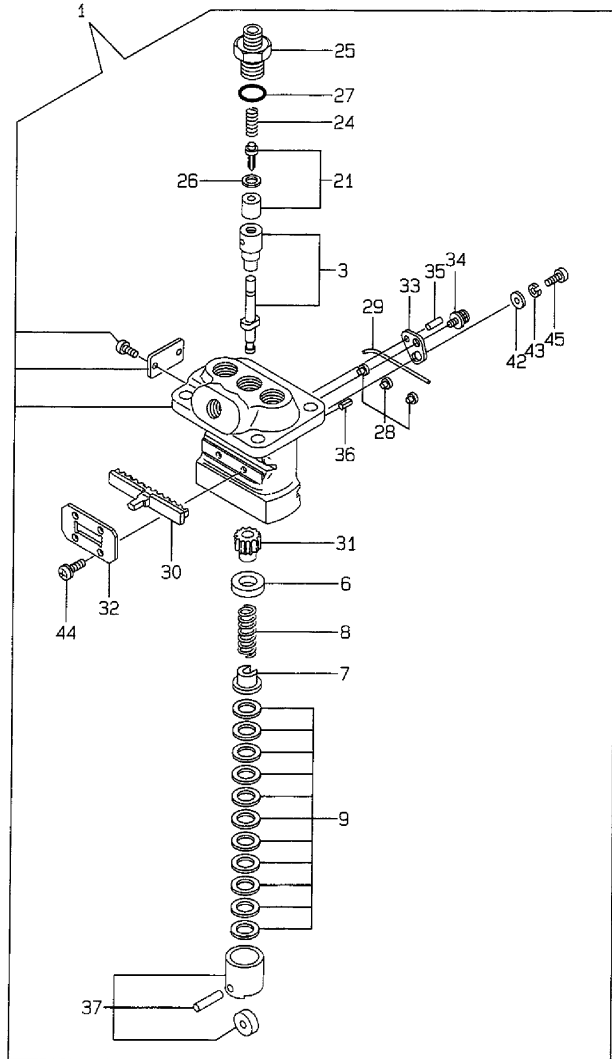
No.	Lev.	Parts No.	Description	Q'ty						I	R
				(A)	(B)	(C)	(D)	(E)	(F)		
1	1	119266-42100	PUMP ASSY, WATER	1							
7	2	23871-030000	PLUG, R03	1							
8	1	119266-42020	GASKET, WATER PUMP	1							
9	1	121250-44901	SWITCH, 110	1							
10	1	124465-44950	GASKET, 16	1							
11	1	26106-080452	BOLT, M8X 45 PLATED	1							
12	1	26106-060302	BOLT, M6X 30 PLATED	5							
13	1	119266-42050	JOINT	1							
14	1	24311-000220	O-RING, 1AP22.0	2							
15	1	119660-42350	V-PULLEY	1							
16	1	119620-42291	V-BELT, FM34.5	1							
17	1	26014-060352	BOLT, M6X 35	4							
18	1	129350-49530	COVER, THERMOSTAT	1							
19	1	129155-49800	THERMOSTAT, 71	1							
20	1	129795-49551	GASKET	1							
21	1	26106-080202	BOLT, M8X 20 PLATED	2							
22	1	121550-49111	JOINT, PT1/4	1							
23	1	129150-49811	GASKET, THERMOSTAT	1							
24	1	129150-49360	GASKET	1							
25	1	119266-49350	SWITCH	1							
26	1	124251-44740	PLATE	1							
27	1	171353-44760	SPACER, FAN	1							
28	1	26366-060002	NUT, M6	2							
29	1	121468-44510	SUB-TANK ASSY	1							
31	2	121450-44531	CAP	1							
32	2	121468-44540	PLUG, SUB-TANK	1							
33	2	124450-44560	RETAINER	1							
34	2	121470-44581	GASKET	1							
35	2	23065-070130	PIPE, 7X 130	1							
36	1	119632-44520	RADIATOR ASSY	1							
36A	2	X2411282340	SHROUD	1							
37	2	123682-44210	CAP, RADIATOR	1							M
37-1	2	129107-44590	CAP, RADIATOR	1							
38	1	119688-49010	PIPE, WATER	1							
39	1	119632-49020	PIPE, WATER	1							
40	1	121450-49110	COCK ASSY, 3-WAY	1							
42	2	121250-49121	PLUG, DRAIN	1							
43	2	24311-000160	O-RING, 1AP16.0	1							
44	1	23010-038000	CLAMP, 38	4							

Remarks
(M) MISPRINT.

Fig.11. FUEL INJECTION PUMP

(A)=3TNE68-NTB
(B)=
(C)=

(D)=
(E)=
(F)=

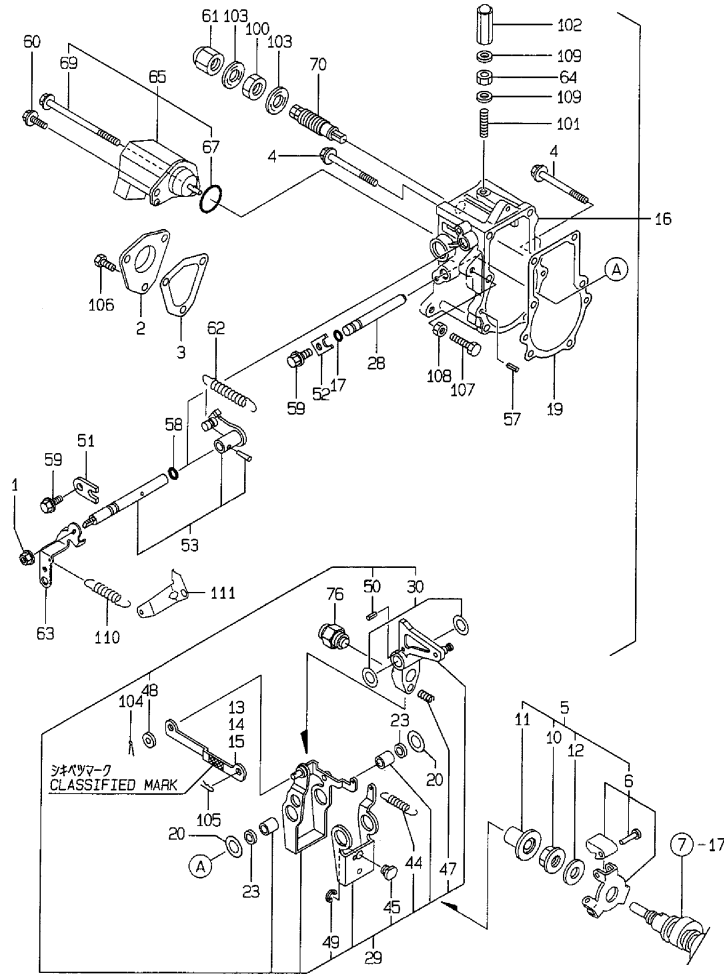


No.	Lev.	Parts No.	Description	Q'ty						I	R
				(A)	(B)	(C)	(D)	(E)	(F)		
1	1	719266-51100	PUMP ASSY, INJECTION	1							
3	2	119225-51100	PLUNGER ASSY	3							
6	2	119620-51170	RETAINER, SPRING A	3							
7	2	119620-51180	RETAINER, SPRING B	3							
8	2	119620-51190	SPRING, PLUNGER	3							
9	2	119620-51250	SHIM SET	3							
21	2	119225-51300	VALVE ASSY, DELIVERY	3							
24	2	105546-51330	SPRING, DELIVERY	3							
25	2	119620-51340	HOLDER, DELIVERY	3							
26	2	119620-51350	GASKET	3							
27	2	119620-51370	O-RING	3							
28	2	119620-51450	PIECE	3							
29	2	119620-51461	PIN	1							
30	2	119660-51500	RACK, CONTROL	1							
31	2	119620-51510	PINION	3							
32	2	119660-51530	RETAINER, RACK	1							
33	2	119620-51650	PLATE	2							
34	2	119620-51660	SCREW	2							
35	2	119620-51670	PIN	2							
36	2	119620-51680	PIN	1							
37	2	119620-51700	TAPPET ASSY	3							
42	2	22137-040000	WASHER, 4	2							
43	2	22217-040000	WASHER, SPRING 4	2							
44	2	26022-040082	SCREW, M4X 8	4							
45	2	26033-040102	SCREW, M4X10	2							

Fig.12. GOVERNOR

(A)=3TNE68-NTB
(B)=
(C)=

(D)=
(E)=
(F)=



No.	Lev.	Parts No.	Description	Q'ty						I	R
				(A)	(B)	(C)	(D)	(E)	(F)		
1	1	194990-22050	NUT, M8	1							
2	1	119660-61060	COVER, GOVERNOR CASE	1							
3	1	119660-61071	GASKET	1							
4	1	26106-060702	BOLT, M6X 70 PLATED	5							
5	1	119266-61100	DRIVE ASSY	1							
6	2	119600-61200	WEIGHT ASSY, GOVERNOR	1							
10	2	119660-61300	NUT	1							
11	2	119660-61341	SLEEVE	1							
12	2	119266-61230	SPACER	1							
13	1	119660-61121	LINK, NO MARK	1							1
14	1	119660-61140	LINK, MARK :2	1							1
15	1	119660-61150	LINK, MARK :3	1							1
16	1	119266-61200	CASE ASSY, GOVERNOR	1							
17	2	129155-51280	O-RING, S6	1							
19	2	119660-61052	GASKET	1							
20	2	119660-61460	SHIM SET	1							
23	2	129155-61480	SPACER ASSY	2							
28	2	119660-61491	SHAFT	1							
29	2	119266-61510	LEVER ASSY, GOVERNOR	1							
30	3	174307-51700	SHIM SET	2							
44	3	119232-61540	SPRING	1							
45	3	119600-61541	SHIFTER	1							
47	3	119266-61650	SPRING, FUEL CONTROL	1							
48	3	22117-040000	WASHER, 4	1							
49	3	22272-000040	RING, E- 4	1							
50	3	22351-030014	PIN, SPRING 3.0X14	1							
51	2	119600-61900	RETAINER, SHAFT	1							
52	2	119660-61901	RETAINER, SHAFT	1							
53	2	119285-66080	SHAFT ASSY	1							
57	2	22351-040010	PIN, SPRING 4.0X10	2							
58	2	24341-000070	O-RING, 1AS7.0	1							
59	2	26106-060102	BOLT, M6X 10 PLATED	2							
60	1	121465-59950	BOLT, M6X16	1							
61	1	26687-120002	NUT, CAP M12	1							
62	1	119600-66020	SPRING, REGULATOR	1							
63	1	119640-66051	HANDLE, REGULATOR	1							
64	1	124550-66370	NUT, M6	1							
65	1	119285-66500	STOPPER ASSY	1							
67	2	24341-000280	O-RING, 1AS28.0	1							
69	2	26106-060952	BOLT, M6X 95 PLATED	1							
70	1	119600-66530	LIMITER ASSY, FUEL	1							
76	1	119610-66700	ANGLEICH ASSY	1							
100	1	26776-120002	NUT, LOCK M12	1							
101	1	121575-66830	SCREW	1							
102	1	119600-66840	NUT, CAP	1							
103	1	22190-120002	WASHER, SEAL 12	2							
104	1	22360-040000	PIN, SNAP 4	1							
105	1	22360-060000	PIN, SNAP 6	1							
106	1	26116-050102	BOLT, M5X 10 PLATED	3							
107	1	26116-060304	BOLT, M6X 30 PLATED	1							
108	1	26756-060002	NUT, LOCK M6	1							

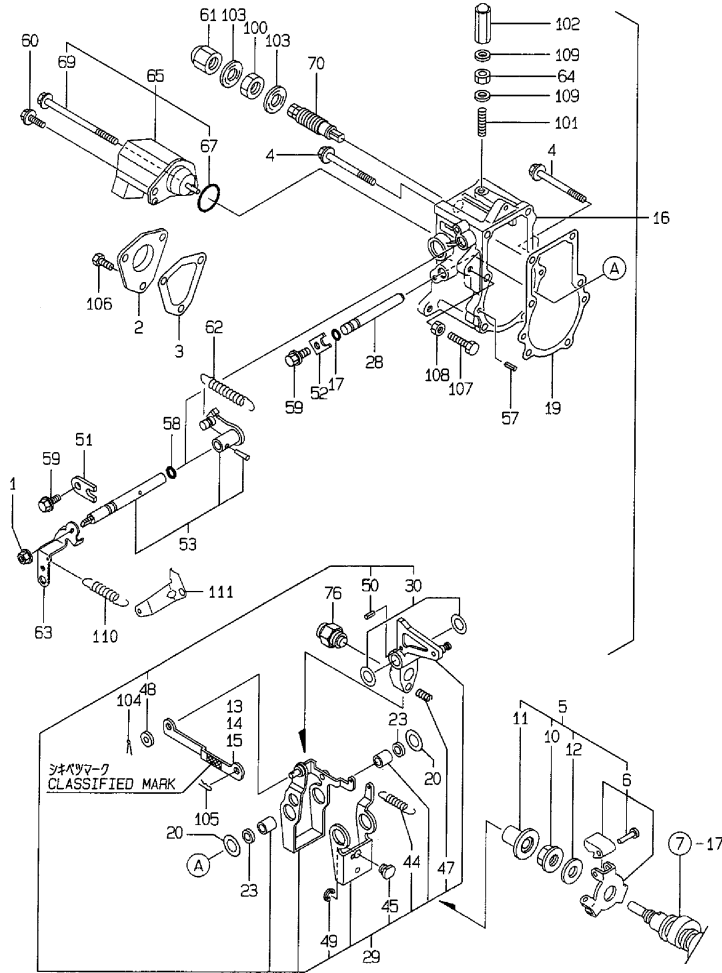
Remarks

(1) SELECTIVE PARTS: CERTAIN THE CLASSIFICATION MARK, THEN PLACE YOUR ORDER(REFER TO ILLUSTRATION)

Fig.12. GOVERNOR

(A)=3TNE68-NTB
(B)=
(C)=

(D)=
(E)=
(F)=



No.	Lev.	Parts No.	Description	Q'ty						I	R
				(A)	(B)	(C)	(D)	(E)	(F)		
109	1	22190-060003	SEAL WASHER 6	2							
110	1	119840-61870	SPRING	1							
111	1	119656-66910	HOOK	1							

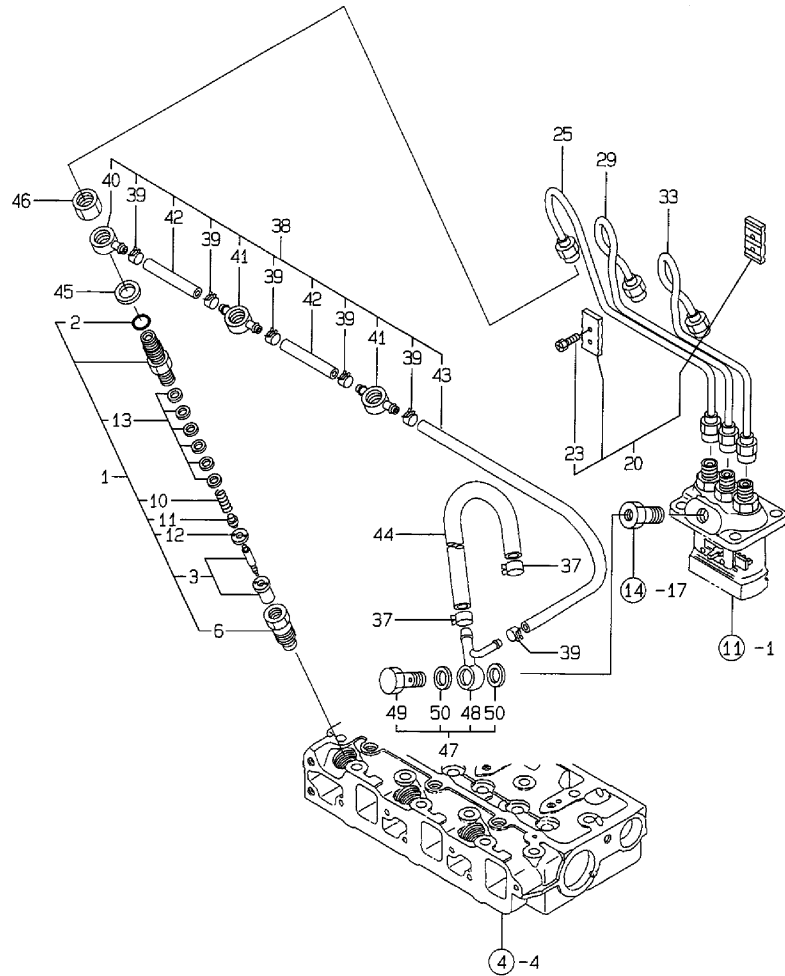
Remarks

(1) SELECTIVE PARTS: CERTAIN THE CLASSIFICATION MARK, THEN PLACE YOUR ORDER(REFER TO ILLUSTRATION)

Fig.13. FUEL INJECTION VALVE

(A)=3TNE68-NTB
(B)=
(C)=

(D)=
(E)=
(F)=

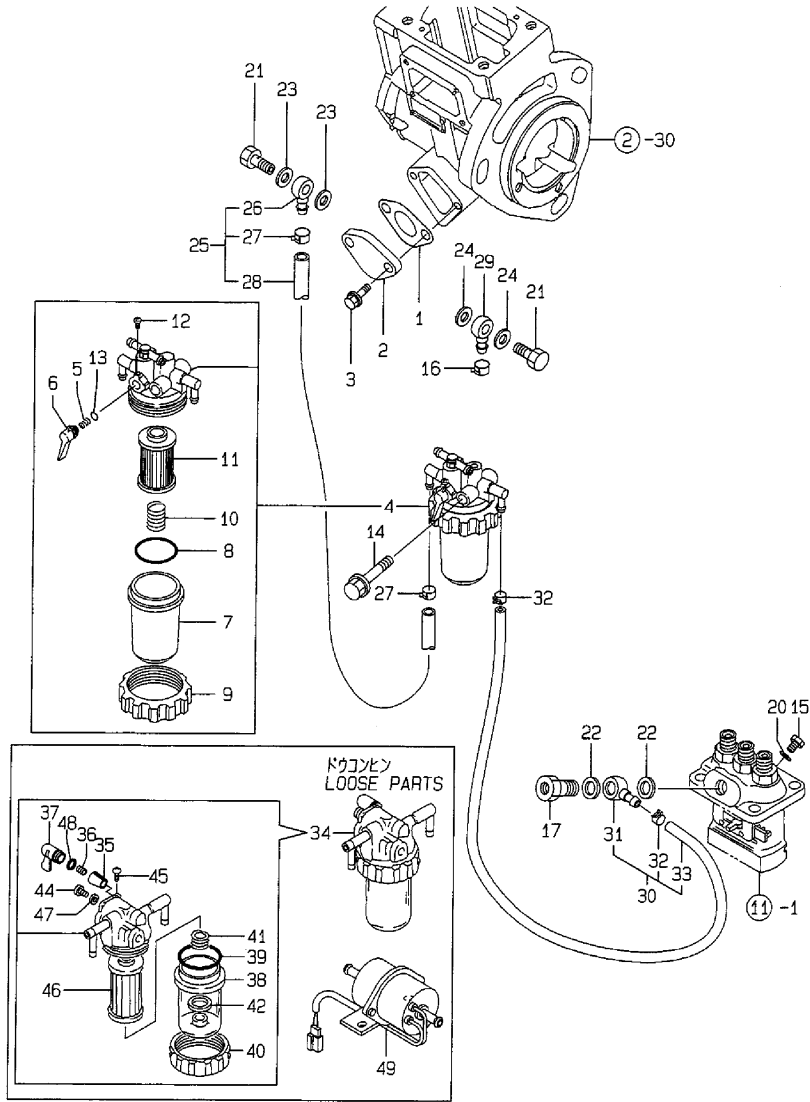


No.	Lev.	Parts No.	Description	Q'ty						I	R
				(A)	(B)	(C)	(D)	(E)	(F)		
1	1	719255-53100	VALVE ASSY,INJECTION	3							
2	2	129155-61830	O-RING, S10	3							
3	2	119620-53000	VALVE ASSY,INJECTION	3							
6	2	119620-53080	NUT, NOZZLE	3							
10	2	119620-53120	SPRING, NOZZLE	3							
11	2	114250-53130	SEAT, SPRING	3							
12	2	119620-53140	SPACER, VALVE STOP	3							
13	2	114250-53400	SHIM SET	3							
20	1	129150-59120	RETAINER, PIPE	1							
23	2	129150-59131	BOLT, M4X14	2							
25	1	119266-59811	PIPE ASSY, INJECTION	1							
29	1	119266-59821	PIPE ASSY, INJECTION	1							
33	1	119266-59831	PIPE ASSY, INJECTION	1							
37	1	124766-59050	CLIP, HOSE 12	2							
38	1	119266-59540	PIPE ASSY, FUEL	1							
39	2	124066-59100	CLIP, HOSE 8	6							
40	2	119260-59520	JOINT	1							
41	2	119260-59530	JOINT	2							
42	2	105025-59550	PIPE, FUEL RETURN	2							
43	2	119000-59560	PIPE, FUEL RETURN	1							
44	1	124767-59080	PIPE, FUEL	1							
45	1	23414-140000	GASKET, 14X1.0	3							
46	1	119620-59700	NUT, NOZZLE	3							
47	1	119266-59501	JOINT ASSY, PIPE	1							
48	2	119266-59570	JOINT, OVER FLOW	1							
49	2	119266-59580	BOLT, PIPE JOINT M8	1							
50	2	23414-080012	GASKET, 8X1.0	2							

Fig.14. FUEL LINE

(A)=3TNE68-NTB
(B)=
(C)=

(D)=
(E)=
(F)=

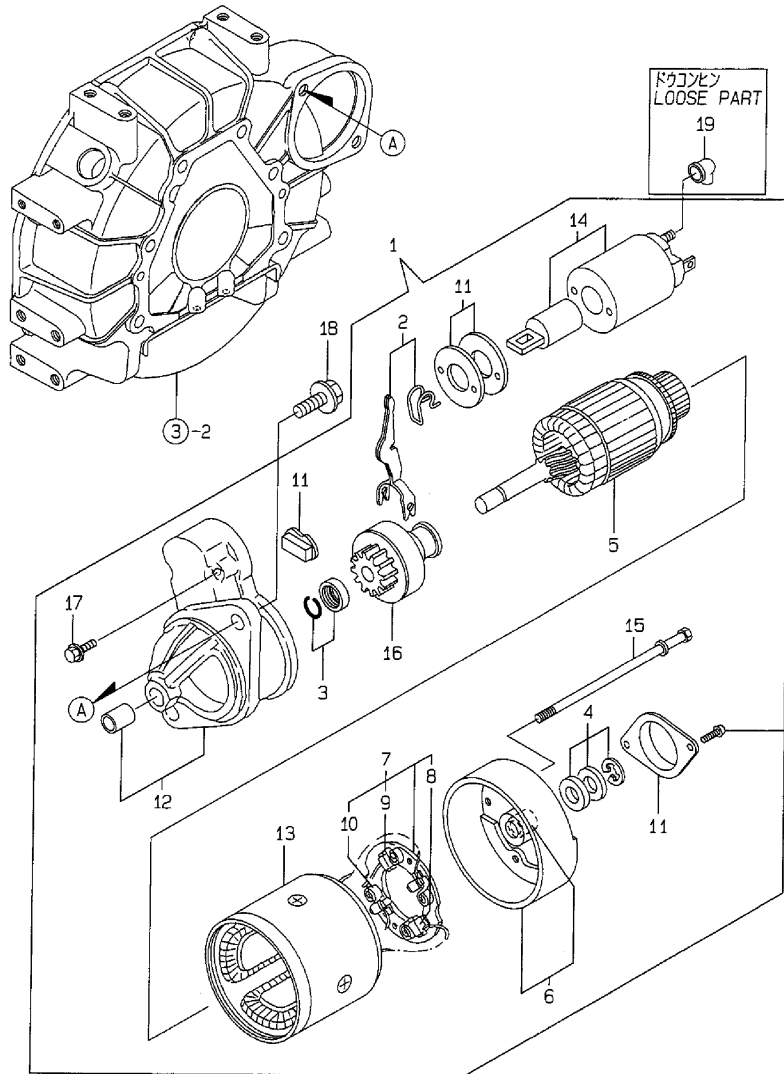


No.	Lev.	Parts No.	Description	Q'ty						I	R
				(A)	(B)	(C)	(D)	(E)	(F)		
1	1	121520-01851	GASKET	1							
2	1	121520-01860	COVER	1							
3	1	26106-060162	BOLT, M6X 16 PLATED	2							
4	1	119255-55620	FILTER ASSY, FUEL	1							
5	2	104200-55330	SPRING, VALVE	1							
6	2	119810-55340	LEVER	1							
7	2	121254-55510	COVER	1							
8	2	102103-55520	O-RING	1							
9	2	110250-55610	RING, RETAINING	1							
10	2	121250-55620	SPRING	1							
11	2	124550-55700	FILTER, FUEL L=90	1							
12	2	104200-55750	SCREW, M4	1							
13	2	24311-240100	O-RING, 1AP10A	1							
14	1	26014-080702	BOLT, M8X 70	1							
15	1	123482-01900	PLUG, M8-1.25	1							
16	1	124766-59050	CLIP, HOSE 12	1							
17	1	119462-59190	BOLT ASSY, JOINT	1							
20	1	23414-080012	GASKET, 8X1.0	1							
21	1	105582-59150	BOLT, PIPE JOINT	2							
22	1	104200-59170	GASKET, 12	2							
23	1	22190-080002	WASHER, SEAL 6	2							
24	1	22190-080002	WASHER, SEAL 6	2							
25	1	119244-59020	PIPE ASSY, FUEL	1							
26	2	104264-59030	JOINT, PIPE 8	1							
27	2	124766-59050	CLIP, HOSE 12	2							
28	2	121522-59100	PIPE, FUEL D12X500	1							
29	1	104264-59030	JOINT, PIPE 8	1							
30	1	119230-59031	PIPE ASSY, FUEL	1							
31	2	101304-59020	JOINT, PIPE 12	1							
32	2	124766-59050	CLIP, HOSE 12	2							
33	2	119230-59080	PIPE, FUEL D12X185	1							
34	1	129335-55700	SEPARATOR ASSY, WATER	1							
35	2	104200-55321	VALVE, TAPER	1							
36	2	104200-55330	SPRING, VALVE	1							
37	2	104200-55341	HANDLE	1							
38	2	124064-55510	COVER	1							
39	2	102103-55520	O-RING	1							
40	2	110250-55610	RING, RETAINING	1							
41	2	121257-55720	SPRING	1							
42	2	121257-55731	FLOAT	1							
44	2	101720-55750	PLUG, 6	2							
45	2	104200-55750	SCREW, M4	1							
46	2	171081-55910	SCREEN	1							
47	2	23418-060000	GASKET, 6X1.0	2							
48	2	24311-240100	O-RING, 1AP10A	1							
49	1	129322-77401	PUMP ASSY, FUEL FEED	1							

Fig.15. STARTING MOTOR

(A)=3TNE68-NTB
(B)=
(C)=

(D)=
(E)=
(F)=

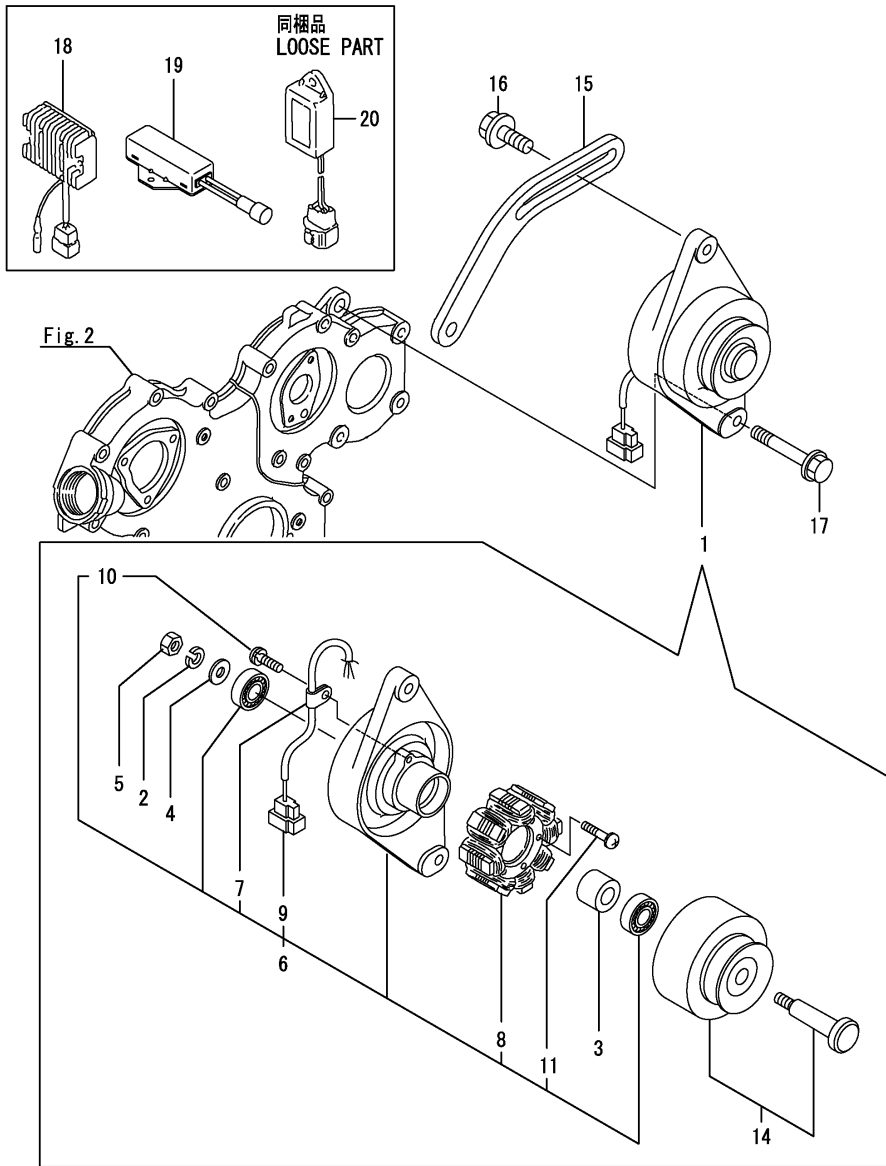


No.	Lev.	Parts No.	Description	Qty						I	R
				(A)	(B)	(C)	(D)	(E)	(F)		
1	1	119631-77011	STARTING MOTOR	1							
2	2	114371-77180	LEVER KIT, SHIFT	1							
3	2	X2114715500	STOPPER SET, PINION	1							
4	2	X2114811000	WASHER KIT, THRUST	1							
5	2	114371-77110	ARMATURE	1							
6	2	114371-77140	COVER ASSY, REAR	1							
7	2	114371-77160	HOLDER ASSY, BRUSH	1							
8	3	114371-79040	BRUSH (-)	2							
9	3	114371-79050	BRUSH (+)	1							
10	3	114371-79060	SPRING, BRUSH	4							
11	2	114371-77170	COVER KIT, DUST	1							
12	2	119631-77651	CASE ASSY, GEAR	1							
13	2	124097-77710	YOKE ASSY	1							
14	2	X2114275010	SWITCH ASSY, MAGNET	1							
15	2	124195-77770	THROUGH BOLT	2							
16	2	119631-77780	PINION ASSY	1							
17	2	114371-79070	BOLT M 6X 37	2							
18	1	26116-120252	BOLT, M12X 25 PLATED	2							
19	1	124160-77020	COVER, TERMINAL	1							

Fig.16. GENERATOR

(A)=3TNE68-NTB
(B)=
(C)=

(D)=
(E)=
(F)=

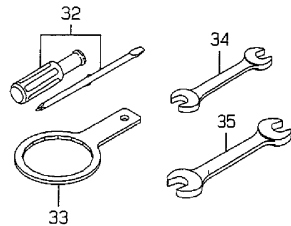
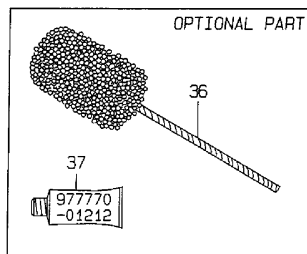
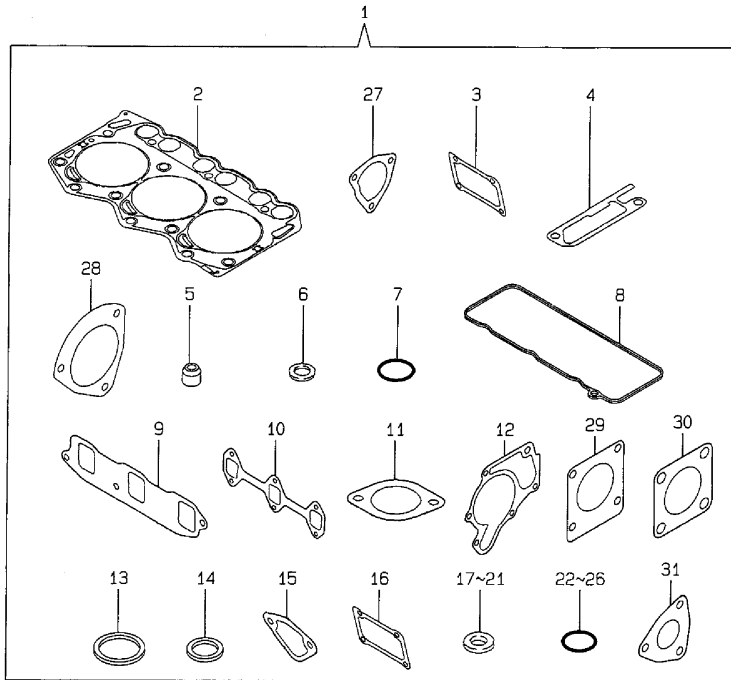


No.	Lev.	Parts No.	Description	Q'ty						I	R
				(A)	(B)	(C)	(D)	(E)	(F)		
1	1	129150-77202	GENERATOR	1							
1-1	1	129150-77203	DINAMO ASSY	1							N
(A=EXXXXX)											
2	2	XM219230000	WASHER, SPRING	1							
3	2	XM329830000	COLLAR	1							
4	2	XM860250000	WASHER, 10	1							
5	2	XM863720000	NUT	1							
6	2	129150-77210	PLATE ASSY	1							
7	3	XM069000000	CLAMP	1							
8	3	XM081780000	STATOR	1							
9	3	XM178780000	COUPLER	1							
10	3	XYSPS400800	SCREW	1							
11	3	XYSPS402400	SCREW	2							
14	2	129150-77230	FLYWHEEL ASSY	1							
14-1	2	129150-77280	FLYWHEEL ASSY	1							N
(A=EXXXXX)											
15	1	119266-77330	ADJUSTER	1							
16	1	119810-77340	BOLT, ADJUST L=30	1							
17	1	26106-100402	BOLT, M10X 40 PLATED	1							
18	1	119653-77710	CURRENT LIMITER	1							
19	1	129155-77810	REGISTER	1							
20	1	119632-77920	TIMER	1							

Fig.17. GASKET SET & TOOLS

(A)=3TNE68-NTB
(B)=
(C)=

(D)=
(E)=
(F)=



No.	Lev.	Parts No.	Description	Q'ty						I	R
				(A)	(B)	(C)	(D)	(E)	(F)		
1	1	719266-92620	GASKET SET	1							1
2	2	119266-01330	GASKET, HEAD	1							
3	2	119660-01562	GASKET	1							
4	2	119266-03210	GASKET	1							
5	2	119260-11340	SEAL, VALVE STEM	6							
6	2	119600-11460	GASKET, NOZZLE	6							
7	2	24311-000320	O-RING, 1AP32.0	2							
8	2	119266-11310	GASKET, BONNET	1							
9	2	119270-12110	GASKET, MANIFOLD	1							
10	2	119260-13110	GASKET	1							
11	2	129795-49551	GASKET	1							
12	2	119266-42020	GASKET, WATER PUMP	1							
13	2	129150-49811	GASKET, THERMOSTAT	1							
14	2	124465-44950	GASKET, 16	1							
15	2	121520-01851	GASKET	1							
16	2	119266-01890	GASKET	1							
17	2	104200-59170	GASKET, 12	2							
18	2	129150-49360	GASKET	1							
19	2	22190-080002	WASHER, SEAL 6	5							
20	2	23414-080012	GASKET, 8X1.0	3							
21	2	23414-140000	GASKET, 14X1.0	3							
22	2	24311-000120	O-RING, 1AP12.0	4							
23	2	24311-240100	O-RING, 1AP10A	1							
24	2	119209-35030	O-RING, P11	1							
25	2	24341-000240	O-RING, 1AS24.0	1							
26	2	24311-000220	O-RING, 1AP22.0	2							
27	2	119624-01750	GASKET	1							
28	2	119266-01870	GASKET	1							
29	2	124240-01883	GASKET	1							
30	2	124701-11911	GASKET, SILENCER	2							
31	2	103954-13201	GASKET, SILENCER	1							
32	1	104200-92350	DRIVER, SCREW	1							
33	1	119332-92751	WRENCH, FILTER 68	1							
34	1	28110-100120	SPANNER, 10X12	1							
35	1	28110-140170	SPANNER, 14X17	1							
36	1	129400-92400	FLEX HORN	1							1
37	1	977770-01212	GASKET, LIQUID	1							1

Remarks
(1) OPTIONAL PART.

Parts No. Index

Parts No.	Fig. No.	Ref. No.
101304-59020	14	31
101720-55750	14	44
102103-55520	14	8
		39
103954-13201	6	10
	17	31
104200-55321	14	35
104200-55330	14	5
		36
104200-55341	14	37
104200-55750	14	12
		45
104200-59170	14	22
	17	17
104200-92350	17	32
104264-59030	14	26
		29
105010-11230	4	32
		36
105025-59550	13	42
105027-12540	5	8
105027-12570	5	7
105546-51330	11	24
105582-59150	14	21
110250-55610	14	9
		40
114250-11120	4	16
114250-11180	4	17
114250-53130	13	11
114250-53400	13	13
114371-77110	15	5
114371-77140	15	6
114371-77160	15	7
114371-77170	15	11
114371-77180	15	2
114371-79040	15	8
114371-79050	15	9
114371-79060	15	10
114371-79070	15	17
119000-59560	13	43
119131-18320	6	5
119209-35030	9	7
	17	24
119225-51100	11	3
119225-51300	11	21
119230-59031	14	30
119230-59080	14	33
119232-13500	6	8
119232-61540	12	44
119233-12210	5	10

Parts No.	Fig. No.	Ref. No.
119233-12610	5	11
119244-59020	14	25
119254-12500	5	5
119255-55620	14	4
119260-02020	1	6
119260-02800	1	19
119260-02930	1	22
119260-07900	4	2
119260-11110	4	15
119260-11200	4	24
119260-11240	4	25
119260-11260	4	28
119260-11270	4	29
119260-11280	4	30
119260-11340	4	20
	17	5
119260-11370	4	21
119260-11800	4	8
119260-13100	6	1
119260-13110	6	2
	17	10
119260-14100	7	7
119260-14200	7	1
119260-14400	7	2
119260-14580	7	3
119260-23910	8	29
119260-25100	7	10
119260-59520	13	40
119260-59530	13	41
119263-26001	2	55
119263-26201	2	56
119265-11260	4	40
119265-22300	8	23
119265-22500	8	17
119265-22950	8	35
119265-23100	8	25
119265-23200	8	30
119266-01200	1	25
119266-01330	1	26
	17	2
119266-01580	2	5
119266-01840	2	30
119266-01870	2	47
	17	28
119266-01880	2	36
119266-01890	2	37
	17	16
119266-01900	7	16
119266-01910	2	15
119266-02410	1	16

Parts No.	Fig. No.	Ref. No.
119266-03200	4	49
119266-03210	4	50
	17	4
119266-11100	4	14
119266-11310	4	52
	17	8
119266-11390	4	48
119266-11530	4	44
119266-11710	4	4
119266-12580	5	12
119266-13580	6	7
119266-14200	7	17
119266-21200	8	5
119266-21560	8	12
119266-21660	8	8
119266-21700	8	1
119266-22900	8	33
119266-25050	7	9
119266-25900	7	22
119266-32000	2	8
119266-35310	9	4
119266-42020	10	8
	17	12
119266-42050	10	13
119266-42100	10	1
119266-49350	10	25
119266-59501	13	47
119266-59540	13	38
119266-59570	13	48
119266-59580	13	49
119266-59811	13	25
119266-59821	13	29
119266-59831	13	33
119266-61100	12	5
119266-61200	12	16
119266-61230	12	12
119266-61510	12	29
119266-61650	12	47
119266-77330	16	15
119270-12110	5	2
	17	9
119275-01770	3	6
119275-12100	5	1
119275-35080	9	6
119285-66080	12	53
119285-66500	12	65
119305-35150	9	3
119326-22081	8	15
119332-92751	17	33
119462-26010	2	50

Parts No.	Fig. No.	Ref. No.
119462-59190	14	17
119600-11450	4	22
119600-11460	4	23
	17	6
119600-61200	12	6
119600-61541	12	45
119600-61900	12	51
119600-66020	12	62
119600-66530	12	70
119600-66840	12	102
119610-66700	12	76
119620-01800	2	4
119620-02450	7	4
119620-11080	4	11
119620-11350	4	57
119620-21941	8	10
119620-25912	7	12
119620-42291	10	16
119620-51170	11	6
119620-51180	11	7
119620-51190	11	8
119620-51250	11	9
119620-51340	11	25
119620-51350	11	26
119620-51370	11	27
119620-51450	11	28
119620-51461	11	29
119620-51510	11	31
119620-51650	11	33
119620-51660	11	34
119620-51670	11	35
119620-51680	11	36
119620-51700	11	37
119620-53000	13	3
119620-53080	13	6
119620-53120	13	10
119620-53140	13	12
119620-59700	13	46
119620-77820	4	56
119621-21680	8	9
119623-01950	2	39
119624-01600	3	2
119624-01740	2	13
119624-01750	2	14
	17	27
119631-77011	15	1
119631-77651	15	12
119631-77780	15	16
119632-44520	10	36
119632-49020	10	39

Parts No. Index

Parts No.	Fig. No.	Ref. No.
119632-77920	16	20
119640-01640	3	8
119640-66051	12	63
119653-77710	16	18
119655-12560	5	6
119656-66910	12	111
119660-01551	2	28
119660-01562	2	29
	17	3
119660-01570	2	32
119660-25022	7	26
119660-42350	10	15
119660-51500	11	30
119660-51530	11	32
119660-61052	12	19
119660-61060	12	2
119660-61071	12	3
119660-61121	12	13
119660-61140	12	14
119660-61150	12	15
119660-61300	12	10
119660-61341	12	11
119660-61460	12	20
119660-61491	12	28
119660-61901	12	52
119688-49010	10	38
119810-55340	14	6
119810-77340	16	16
119840-61870	12	110
119865-12600	5	13
119865-21600	8	14
121023-01550	2	25
121111-21501	8	11
121250-44901	10	9
121250-49121	10	42
121250-55620	14	10
121254-55510	14	7
121257-55720	14	41
121257-55731	14	42
121450-01560	2	31
121450-44531	10	31
121450-49110	10	40
121465-59950	12	60
121468-44510	10	29
121468-44540	10	32
121470-44581	10	34
121520-01851	14	1
	17	15
121520-01860	14	2
121520-34810	9	1

Parts No.	Fig. No.	Ref. No.
121522-59100	14	28
121550-49111	10	22
121575-66830	12	101
122710-51090	7	19
123482-01900	14	15
123682-44210	10	37
124060-01050	1	5
124064-55510	14	38
124066-59100	13	39
124085-02220	3	4
124097-77710	15	13
124160-01751	2	23
	4	43
124160-11360	4	53
124160-39451	9	9
124160-77020	15	19
124195-77770	15	15
124240-01883	2	49
	17	29
124251-44740	10	26
124450-44560	10	33
124465-44950	10	10
	17	14
124550-55700	14	11
124550-66370	12	64
124701-11911	6	9
	17	30
124766-59050	13	37
	14	16
		27
		32
124767-59080	13	44
126650-12680	5	9
129100-01580	3	1
	8	2
129107-44590	10	37 -1
129132-34800	9	2
129150-35350	9	5
129150-49360	10	24
	17	18
129150-49811	10	23
	17	13
129150-59120	13	20
129150-59131	13	23
129150-77202	16	1
129150-77203	16	1 -1
129150-77210	16	6
129150-77230	16	14
129150-77280	16	14 -1
129155-49800	10	19

Parts No.	Fig. No.	Ref. No.
129155-51280	12	17
129155-61480	12	23
129155-61830	13	2
129155-77801	4	55
129155-77810	16	19
129322-77401	14	49
129335-55700	14	34
129350-26490	2	57
129350-49530	10	18
129400-92400	17	36
129795-49551	10	20
	17	11
171081-55910	14	46
171353-44760	10	27
174307-51700	12	30
194990-22050	2	46
	12	1
22117-040000	12	48
22137-040000	11	42
22137-080000	2	51
22190-060003	12	109
22190-080002	1	17
	2	11
	14	23
		24
	17	19
22190-120002	12	103
22190-220002	3	9
22217-040000	11	43
22217-120000	7	24
22242-000100	4	39
22242-000200	7	14
22252-000200	8	24
22272-000040	12	49
22351-030012	8	7
22351-030014	12	50
22351-040010	2	34
	12	57
22351-060012	4	58
22360-040000	12	104
22360-060000	12	105
22512-040120	7	8
	8	6
22857-500100	4	51
23000-054000	5	17
		20
23010-038000	10	44
23065-070130	10	35
23065-120500	4	1
23414-080012	13	50

Parts No.	Fig. No.	Ref. No.
23414-080012	14	20
	17	20
23414-140000	13	45
	17	21
23418-060000	14	47
23871-005000	4	12
23871-030000	10	7
24101-060034	7	20
24102-063034	7	21
24104-060054	2	58
24311-000120	2	16
	4	54
	17	22
24311-000160	10	43
24311-000220	10	14
	17	26
24311-000320	2	24
	4	63
	17	7
24311-240100	14	13
		48
	17	23
24341-000070	12	58
24341-000240	2	26
	17	25
24341-000280	12	67
26014-060352	10	17
26014-080702	14	14
26022-040082	11	44
26033-040102	11	45
26106-060102	3	5
		11
	12	59
26106-060122	1	27
	2	17
	3	10
	5	18
	7	15
	9	8
26106-060162	2	18
		27
	5	3
	14	3
26106-060202	2	19
26106-060252	2	9
26106-060282	5	4
26106-060302	10	12
26106-060352	2	20
	6	3
26106-060602	2	21

Parts No. Index

Parts No.	Fig. No.	Ref. No.
26106-060652	2	22
26106-060702	12	4
26106-060952	12	69
26106-080122	1	18
26106-080142	4	3
		59
	5	19
26106-080202	10	21
26106-080222	2	12
26106-080452	4	41
	10	11
26106-080702	2	52
26106-100402	16	17
26116-050082	2	35
26116-050102	12	106
26116-060304	12	107
26116-081302	2	53
26116-120252	15	18
26206-100202	3	3
26216-060402	6	4
26216-080202	2	10
26366-060002	2	38
	6	6
	10	28
26366-080002	2	48
		54
	4	42
26557-060102	7	23
26687-120002	12	61
26716-120002	7	25
26756-060002	4	34
		38
	12	108
26776-120002	12	100
27221-060100	1	11
27231-400000	1	12
27241-100000	1	13
27241-250000	1	14
27241-300000	1	15
27241-350000	4	13
28110-100120	17	34
28110-140170	17	35
714250-11570	4	18
719255-53100	13	1
719260-02870	1	28
719260-11650	4	31
719260-11660	4	35
719260-23600	8	31
719260-23610	8	39
719266-01560	1	1

Parts No.	Fig. No.	Ref. No.
719266-01601	2	1
719266-51100	11	1
719266-92620	17	1
977770-01212	2	59
	3	12
	17	37
X2114275010	15	14
X2114715500	15	3
X2114811000	15	4
X2411282340	10	36 A
XM069000000	16	7
XM081780000	16	8
XM178780000	16	9
XM219230000	16	2
XM329830000	16	3
XM860250000	16	4
XM863720000	16	5
XYSPS400800	16	10
XYSPS402400	16	11

Parts No.	Fig. No.	Ref. No.
-----------	----------	----------

Parts No.	Fig. No.	Ref. No.
-----------	----------	----------