

OCD10-M64601EN

PREFACE

1.This parts catalog is the Second edition of 3TNE78A-TBY, ETBY for Takeuchi Mfg. Co., Ltd.

2. Parts catalog history

	Parts catalog No,	Date of issue	Remarks
1st. edition	000Y00D6460	January.1998	Abolish old edition
2nd. edition	000Y00D6461	May.2000	

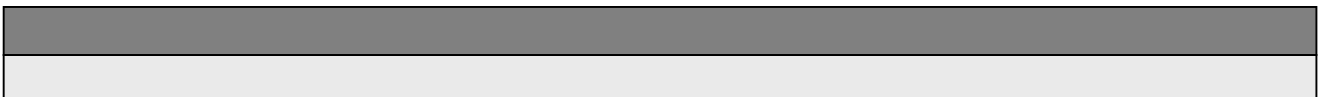
3.This parts catalog dose not contain the technical data needed for maintenance service

4.The illustrations used in this parts catalog have been simplified for clarity.

5. Model name

Engine model	Vehicle		Vehicle made by
	Products	Model name	
3TNE78A-TBY	EXCAVATOR	JB25UR	Takeuchi Mfg. Co., Ltd.
3TNE78A-ETBY		TB30UR	

6.The contents of this parts catalog are subject to change without prior notice.



Directions for the Parts Catalog.

1. This Parts Catalog shows both standard and optional parts.
2. Parts may change without prior notice.
3. The following is an example of the Parts Catalog format.

REF.	LEV.	PARTS NO.	DESCRIPTION	Q'TY						I	R
				(A)	(B)	(C)	(D)	(E)	(F)		
1	1	729595-51390	FUEL INJECTION PUMP	1	1	1	1	1			1
1-1	1	729595-51391	FUEL INJECTION PUMP	1	1	1	1	1		N	1
		(A=E00185) (B=E00200)									
3	2	26022-060162	SCREW M 6X 16	9	9	9	9	9			
3-1	2	26022-060162	SCREW M 6X 16	4	4	4	4	4		K	
		(A=E00156) (B=E00156) (C=E00156) (D=E00156) (E=E00156)									
4	2	129470-51040	CAMSHAFT	1	1	1	1	1			
5	2	122710-51050	BEARING, ROLLER	2	2	2	2	2			
6	2	129470-51060	RETAINER	1	1	1	1	1			

Remarks
(1) BOOST COMPEMSATOR TYPE. OPTIONAL PART, TO E00155,(4JH-DT, 4JH-DTZ

① Ref. No.

The Ref. No. listed may not be in accordance with the illustration Ref. No.

(Ex.) Illustration No.

List Ref No.

1

1

(Before change)

1-1

(After change)

For interchangeable symbols N, R and K, illustrations for new parts may be abbreviated.

② Lev. (Level)

Level indication

The numbers below indicate the level of relativity towards the main part.

1 ----- Main parts (Assembly parts)

2 ----- Sub component included in " 1 ".

3 ----- Sub component included in " 2 ".

Note) Parts that are not for sale are partially illustrated but not listed.

③ Interchangeability Symbol

When a part change takes place, one of the following interchangeability symbols is indicated beside the part.

Symbol	Interchangeability	Contents note
N	Old $\begin{matrix} \leftarrow \text{Yes} \\ \text{No} \rightarrow \end{matrix}$ New	New Part is interchangeable for Old Part but Old Part is not interchangeable for New Part.
Q	Old $\begin{matrix} \leftarrow \text{No} \\ \text{Yes} \rightarrow \end{matrix}$ New	New Part is not interchangeable for Old Part but Old Part is interchangeable for New Part.
R	Old $\begin{matrix} \leftarrow \text{Yes} \\ \text{Yes} \rightarrow \end{matrix}$ New	New/ Old Parts are both interchangeable.
S	Old $\begin{matrix} \leftarrow \text{No} \\ \text{No} \rightarrow \end{matrix}$ New	New/ Old Parts are both not interchangeable.
W		Part newly added.
Z		Part discontinued.
F		Not interchangeable by a single part but interchangeable together with related parts.
K		Changes only for used parts quantities.

④ Effective Machine No.

When a part changes, the effective Machine No. will be indicated in the (A)-(F) column.

Product Symbol	Product No.	Product Symbol	Product No.
C	Clutch No. Compressor No.	F	Machine No. (Agricultural Equip.)
D	Drive No.	M	Machine No.
E	Engine No.		

Note 1) A date may follow the symbol. (Ex.) 1996.01

Note 2) " XXXXX " and " ZZZZZ " are for parts that could not be predicted or for engine models that could not be identified.

Note 3) (A=E00185) is the E (Engine Serial Number) for the column (A) model (in this case 4JH-DT) after the parts design change.

⑤ Remarks

Figures or alphabets (symbols) are entered in the remarks column.

The comments (remarks) on parts that are indicated at the bottom of the illustration are the same symbols as those stated above.

Contents

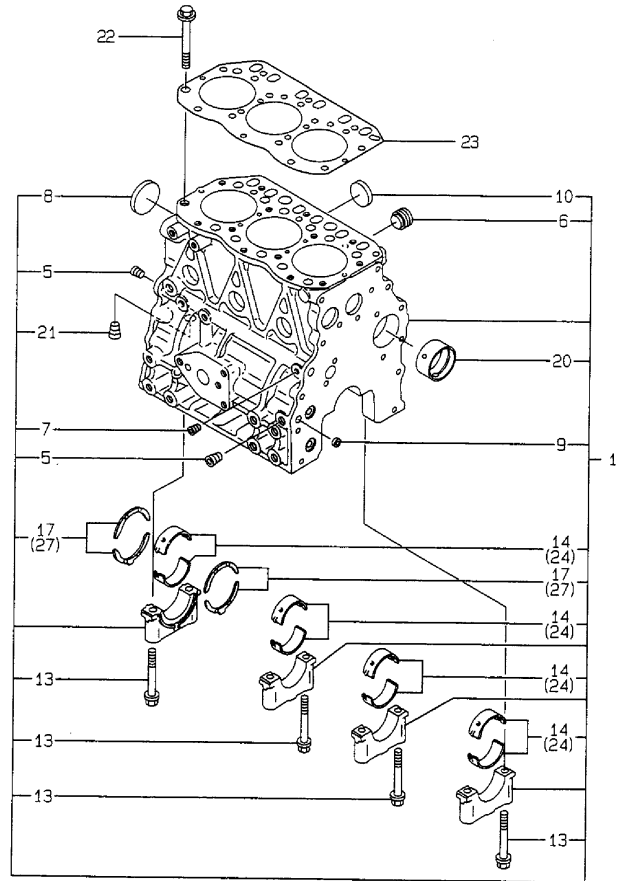
Fig. No. Fig. Name

3TNE78A-(E)TBY

1. CYLINDER BLOCK
2. GEAR HOUSING
3. FLYWHEEL HOUSING & OIL SUMP
4. CYLINDER HEAD & BONNET
5. SUCTION MANIFOLD & AIR CLEANER
6. EXHAUST MANIFOLD & SILENCER
7. CAMSHAFT & DRIVING GEAR
8. CRANKSHAFT & PISTON
9. HYDRAULIC PUMP
10. LUB.OIL SYSTEM
11. COOLING WATER SYSTEM
12. FUEL INJECTION PUMP
13. GOVERNOR
14. FUEL INJECTION VALVE
15. FUEL LINE
16. STARTING MOTOR
17. GENERATOR
18. GASKET SET

Fig. No. Fig. Name

Fig.1. CYLINDER BLOCK



(A)=3TNE78A-TBY
 (B)=3TNE78A-ETBY
 (C)=

(D)=
 (E)=
 (F)=

No.	Lev.	Parts No.	Description	Q'ty						I	R
				(A)	(B)	(C)	(D)	(E)	(F)		
1	1	719822-01560	BLOCK ASSY, CYLINDER	1	1						
5	2	124160-01910	PLUG, PT1/4	2	2						
6	2	171051-01921	PLUG, NPTF1	1	1						
7	2	23871-010000	PLUG, R01	1							
7-1	2	23876-010000	PLUG, R01	1	1						N
		(A=EXXX)									
8	2	27231-500000	PLUG 50	1							
8-1	2	129001-01250	PLUG, 50	1	1						N
		(A=EXXX)									
9	2	27241-120000	PLUG, 12	2	2						
10	2	27241-300000	PLUG 30	6	6						
13	2	119620-02020	BOLT, METAL CAP	8	8						
14	2	119810-02800	BEARING, MAIN	4	4						
17	2	119810-02930	BEARING, THRUST	1	1						
20	2	129795-02411	BUSH, CAMSHAFT	1	1						
21	2	124160-01910	PLUG, PT1/4	1	1						
22	1	119810-01200	BOLT, HEAD	14	14						
23	1	119818-01330	GASKET, HEAD	1	1						
24	1	119810-02870	BEARING, 0.25 US	4	4						1
27	1	119810-02940	BEARING, THRUST 0.25	2	2						2

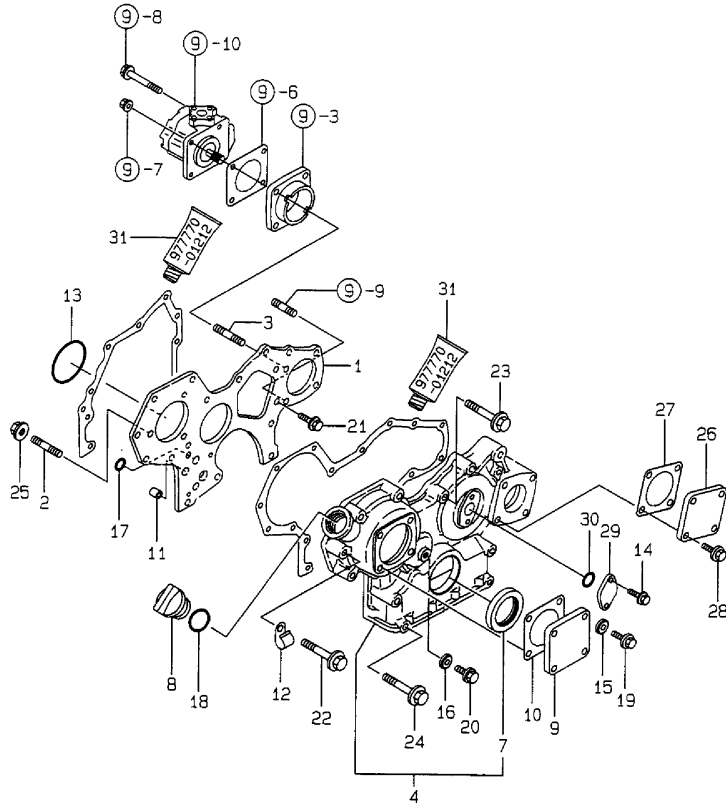
Remarks

- (1) UNDER-SIZE(U.S=0.25)PART.
- (2) OVER-SIZE(O.S=0.25)PART.

Fig.2. GEAR HOUSING

(A)=3TNE78A-TBY
 (B)=3TNE78A-ETBY
 (C)=

(D)=
 (E)=
 (F)=



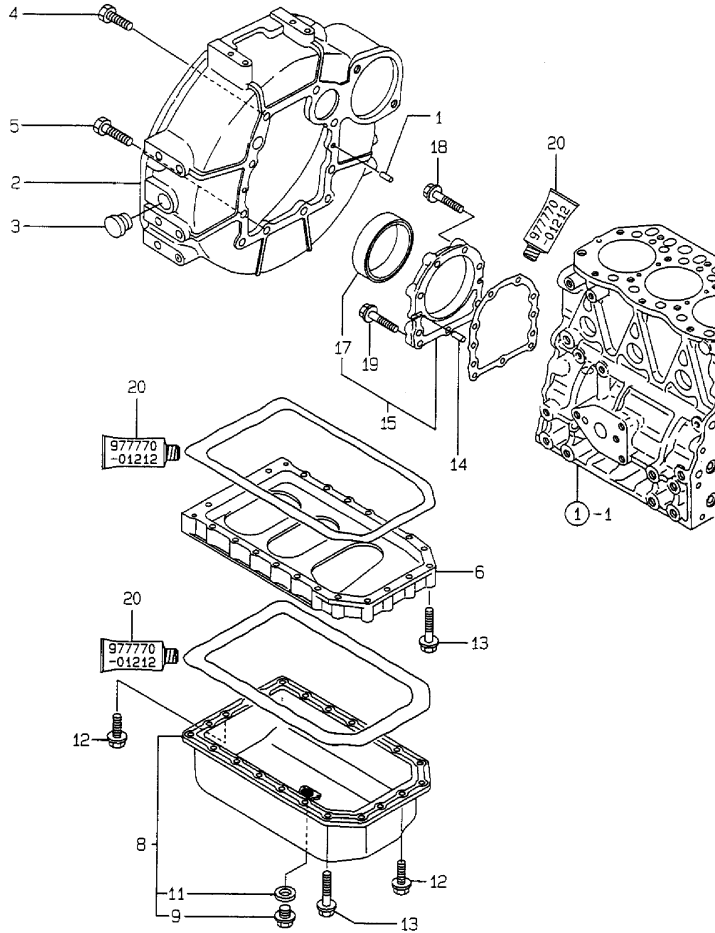
No.	Lev.	Parts No.	Description	Q'ty						I	R
				(A)	(B)	(C)	(D)	(E)	(F)		
1	1	129100-01520	FLANGE, GEAR CASE	1	1						
2	1	121450-01560	STUD, M8X22	3	3						
3	1	129150-01580	STUD, M8X30	1	1						
4	1	129100-01590	CASE ASSY, GEAR	1	1						
7	2	129795-01800	SEAL, OIL	1	1						
8	1	124160-01751	COVER, FILLER	1	1						
9	1	124240-01871	COVER	1	1						
10	1	124240-01883	GASKET	1	1						
11	1	129795-01950	PIPE, KNOCK L=18	2	2						
12	1	129150-03100	RETAINER, PIPE	1	1						
13	1	121850-51960	O-RING	1	1						
14	1	26106-060122	BOLT, M6X 12 PLATED	2							
14-1	1	26106-060162	BOLT, M6X 16 PLATED	2	2						N
(A=EXXX)											
15	1	22190-080002	WASHER, SEAL 6	4	4						
16	1	22190-080002	WASHER, SEAL 6	1	1						
17	1	24311-000160	O-RING, 1AP16.0	2	2						
18	1	24311-000320	O-RING, 1AP32.0	1	1						
19	1	26106-080122	BOLT, M8X 12 PLATED	4	4						
20	1	26106-080162	BOLT, M8X 16 PLATED	1	1						
21	1	26106-080162	BOLT, M8X 16 PLATED	3	3						
22	1	26106-080452	BOLT, M8X 45 PLATED	6	6						
23	1	26106-080552	BOLT, M8X 55 PLATED	3	3						
24	1	26106-080852	BOLT, M8X 85 PLATED	4							
24-1	1	129001-91840	BOLT, M8X85	4							R
(A=E24771)											
24-2	1	129001-91841	BOLT, M8X85	4	4						R
(A=E42492)											
25	1	26366-080002	NUT, M8	3	3						
26	1	124240-01871	COVER	1	1						
27	1	124240-01883	GASKET	1	1						
28	1	26106-080122	BOLT, M8X 12 PLATED	4	4						
29	1	121023-01550	COVER	1	1						
30	1	24341-000240	O-RING, 1AS24.0	1	1						
31	1	977770-01212	GASKET, LIQUID	1	1						1

Remarks
 (1) OPTIONAL PART.

Fig.3. FLYWHEEL HOUSING & OIL SUMP

(A)=3TNE78A-TBY
 (B)=3TNE78A-ETBY
 (C)=

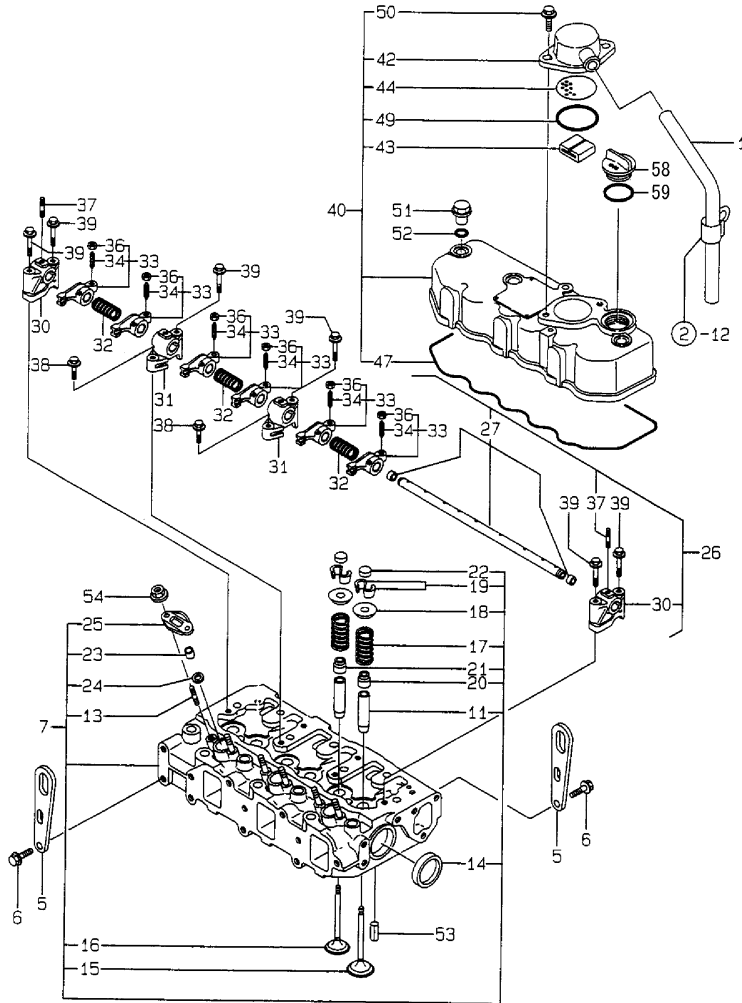
(D)=
 (E)=
 (F)=



No.	Lev.	Parts No.	Description	Q'ty						I	R
				(A)	(B)	(C)	(D)	(E)	(F)		
1	1	129100-01580	PIN, M8X16	2	2						
2	1	129612-01600	HOUSING, FLYWHEEL	1	1						
3	1	119620-01750	CAP	1	1						
4	1	26206-100252	BOLT, M10X 25 PLATED	6	6						
5	1	26206-100302	BOLT, M10X 30 PLATED	4	4						
6	1	119810-01730	SPACER, OIL SUMP	1	1						
8	1	119823-01770	SUMP ASSY, OIL	1	1						
9	2	119640-01640	PLUG, DRAIN M22	1	1						
11	2	22190-220002	WASHER, SEAL 22	1	1						
12	1	26106-080162	BOLT, M8X 16 PLATED	6	6						
13	1	26106-080452	BOLT, M8X 45 PLATED	22	22						
14	1	129100-01580	PIN, M8X16	2	2						
15	1	719810-01650	CASE ASSY, OIL SEAL	1	1						
17	2	119810-01780	SEAL, 769310	1	1						
18	1	129486-01670	BOLT, M8X30	6	6						
19	1	26106-080352	BOLT, M8X 35 PLATED	3	3						
20	1	977770-01212	GASKET, LIQUID	1	1						1

Remarks
 (1) OPTIONAL PART.

Fig.4. CYLINDER HEAD & BONNET



(A)=3TNE78A-TBY
(B)=3TNE78A-ETBY
(C)=

(D)=
(E)=
(F)=

No.	Lev.	Parts No.	Description	Q'ty						I	R
				(A)	(B)	(C)	(D)	(E)	(F)		
1	1	129150-03090	HOSE, ID16X2T	1	1						
5	1	124736-07900	LIFTER	2	2						
6	1	26106-080142	BOLT, M8X 14 PLATED	4	4						
7	1	119812-11700	HEAD ASSY, CYLINDER	1	1						1
11	2	124060-11800	GUIDE, VALVE	6	6						
13	2	26216-060302	STUD, M6X 30	6	6						
14	2	27241-400000	PLUG, 40	2	2						
15	2	119810-11100	VALVE, INTAKE	3	3						
16	2	119810-11110	VALVE, EXHAUST	3	3						
17	2	119810-11120	SPRING, VALVE	6	6						
18	2	104211-11180	RETAINER, SPRING	6	6						
19	2	27310-070001	COTTER, 7	6	6						
20	2	124160-11340	SEAL, VALVE STEM	3	3						
21	2	124950-11340	SEAL, VALVE STEM	3	3						
22	2	104211-11370	CAP, VALVE	6	6						
23	2	119625-11871	PROTECTOR, NOZZLE	3							
23-1	2	119625-11870	PROTECTOR, NOZZLE	3	3						N
(A=E42048)											
24	2	119625-11880	SEAT, NOZZLE	3	3						
25	2	119625-11900	RETAINER, NOZZLE	3	3						
26	1	119865-11210	SUPPORT ASSY	1	1						
27	2	119810-11240	SHAFT ASSY, ROCKER	1	1						
30	2	129155-11260	SUPPORT, ROCKER ARM	2	2						
31	2	129155-11270	SUPPORT, ROCKER ARM	2	2						
32	2	129150-11280	SPRING	3	3						
33	2	719810-11660	ARM ASSY, ROCKER	6	6						
34	3	129150-11230	SCREW, VALVE ADJUST	6	6						
36	3	129150-11750	NUT, M8	6	6						
37	2	26226-080182	STUD, M8X 18	3	3						
38	1	26106-080252	BOLT, M8X 25 PLATED	2	2						
39	1	26106-080502	BOLT, M8X 50 PLATED	6	6						
40	1	719810-11520	BONNET ASSY, HEAD	1							
40-1	1	719810-11521	BONNET ASSY, HEAD	1	1						N
(A=E42048)											
42	2	129150-03020	COVER, BREATHER	1	1						
43	2	129150-03070	BAFFLE, BREATHER	1	1						
44	2	129150-03080	PLATE, BAFFLE	1	1						
47	2	119865-11310	GASKET, BONNET	1	1						
49	2	24341-000500	O-RING, 1AS50.0	1	1						
50	2	26106-080162	BOLT, M8X 16 PLATED	2	2						
51	1	124160-11360	KNOB	3	3						
52	1	24311-000120	O-RING, 1AP12.0	3	3						
53	1	22351-060012	PIN, SPRING 6.0X12	2	2						
54	1	26366-060002	NUT, M6	6	6						
58	1	124160-01751	COVER, FILLER	1	1						
59	1	24311-000320	O-RING, 1AP32.0	1	1						

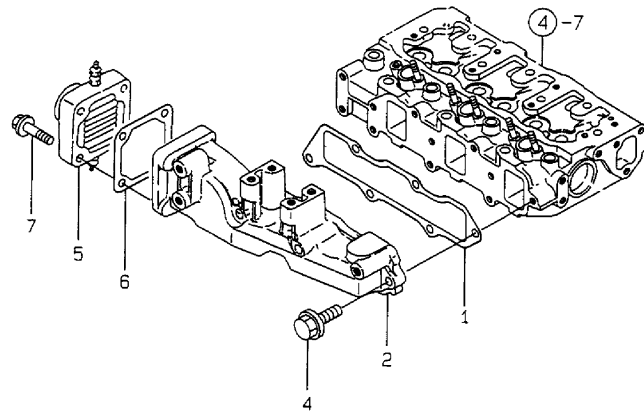
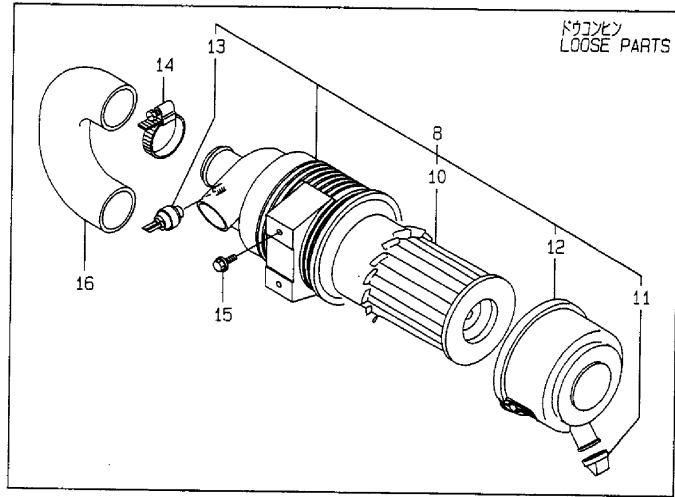
Remarks

(1) REPAIR PART.

Fig.5. SUCTION MANIFOLD & AIR CLEANER

(A)=3TNE78A-TBY
 (B)=3TNE78A-ETBY
 (C)=

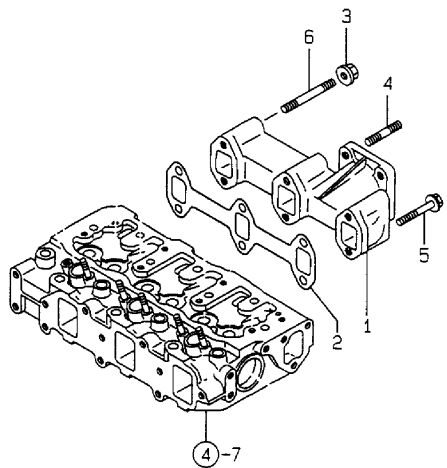
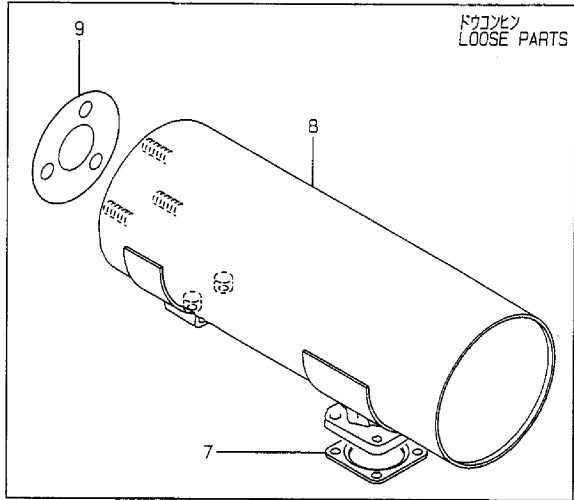
(D)=
 (E)=
 (F)=



No.	Lev.	Parts No.	Description	Q'ty						I	R
				(A)	(B)	(C)	(D)	(E)	(F)		
1	1	119813-12110	GASKET, MANIFOLD	1	1						
2	1	119813-12100	MANIFOLD, AIR INTAKE	1	1						
4	1	26106-080252	BOLT, M8X 25 PLATED	6	6						
5	1	129120-77501	HEATER	1	1						
6	1	129150-77511	GASKET	1	1						
7	1	26106-080352	BOLT, M8X 35 PLATED	4	4						
8	1	119910-12520	CLEANER ASSY, AIR	1	1						
10	2	119808-12520	ELEMENT	1	1						
11	2	119808-12540	VALVE, UNLOADER	1	1						
12	2	119866-12540	COVER ASSY	1	1						
13	2	119140-12680	INDICATOR	1	1						
14	1	23000-060000	CLAMP, 60	2	2						
15	1	26013-080222	BOLT, M8X 22	2	2						
16	1	129619-12210	PIPE, AIR INTAKE	1	1						W

(A=E24771)

Fig.6. EXHAUST MANIFOLD & SILENCER



(A)=3TNE78A-TBY
(B)=3TNE78A-ETBY
(C)=

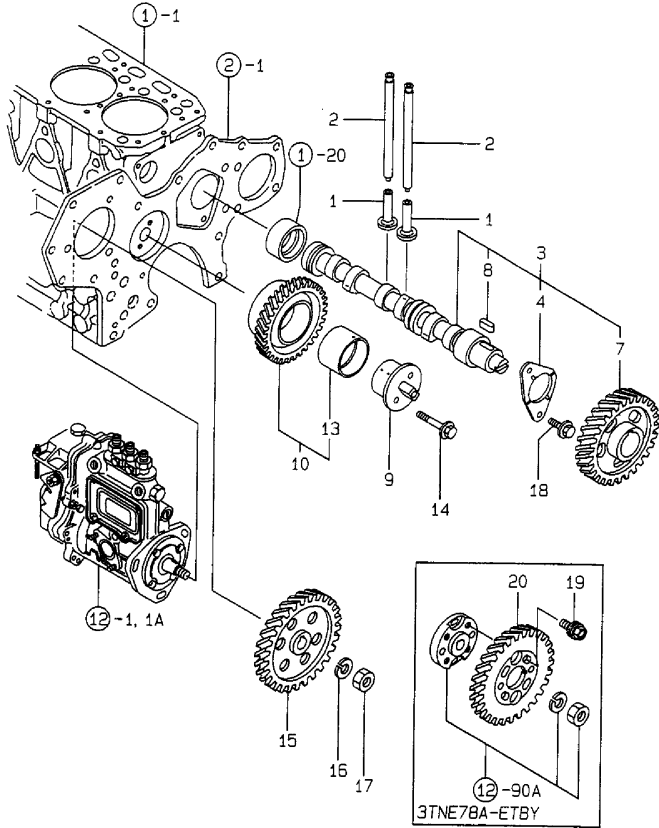
(D)=
(E)=
(F)=

No.	Lev.	Parts No.	Description	Q'ty						I	R
				(A)	(B)	(C)	(D)	(E)	(F)		
1	1	119810-13100	MANIFOLD, EXHAUST	1	1						
2	1	119810-13110	GASKET	1	1						
3	1	26366-080002	NUT, M8	2	2						
4	1	119131-18320	STUD, M8X22	4	4						
5	1	26106-080602	BOLT, M8X 60 PLATED	4	4						
6	1	26216-080602	STUD, M8X 60	2	2						
7	1	124701-11911	GASKET, SILENCER	2	2						
8	1	129131-13510	SILENCER	1							
8-1	1	129131-13530	SILENCER	1	1						N
(A=E42048)											
9	1	103954-13201	GASKET, SILENCER	1	1						

Fig.7. CAMSHAFT & DRIVING GEAR

(A)=3TNE78A-TBY
 (B)=3TNE78A-ETBY
 (C)=

(D)=
 (E)=
 (F)=



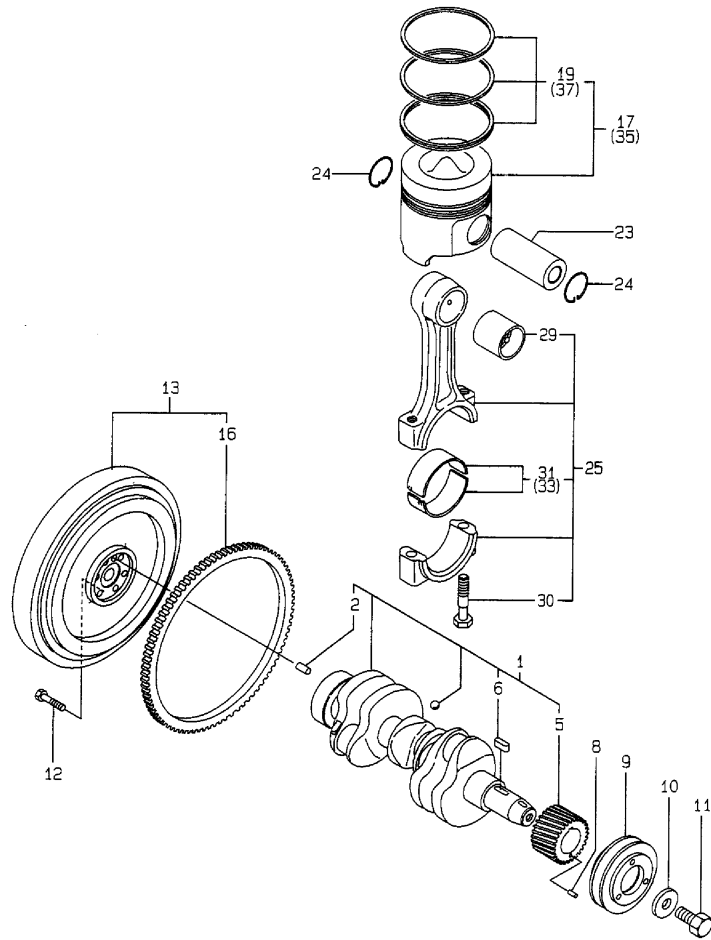
No.	Lev.	Parts No.	Description	Q'ty						I	R
				(A)	(B)	(C)	(D)	(E)	(F)		
1	1	129150-14200	TAPPET	6	6						
2	1	119810-14400	ROD, PUSH	6	6						
3	1	119810-14580	CAMSHAFT ASSY	1	1						
4	2	129150-02450	BEARING, THRUST	1	1						
7	2	129150-14101	GEAR, CAMSHAFT	1	1						
8	2	22512-070140	KEY, 7X 14	1	1						
9	1	129100-25061	SHAFT, IDLE	1	1						
10	1	129150-25101	GEAR ASSY, IDLE	1	1						
13	2	129150-25920	BUSH, IDLE GEAR	1	1						1
14	1	26106-080452	BOLT, M8X 45 PLATED	2	2						
15	1	129150-25900	GEAR, PUMP	1							
16	1	22217-120000	WASHER, SPRING 12	1							
17	1	26716-120002	NUT, M12	1							
18	1	26106-080142	BOLT, M8X 14 PLATED	2	2						
19	1	129150-25301	BOLT		4						
20	1	129150-25931	GEAR, PUMP		1						

Remarks
 (1) REPAIR PART.

Fig.8. CRANKSHAFT & PISTON

(A)=3TNE78A-TBY
 (B)=3TNE78A-ETBY
 (C)=

(D)=
 (E)=
 (F)=

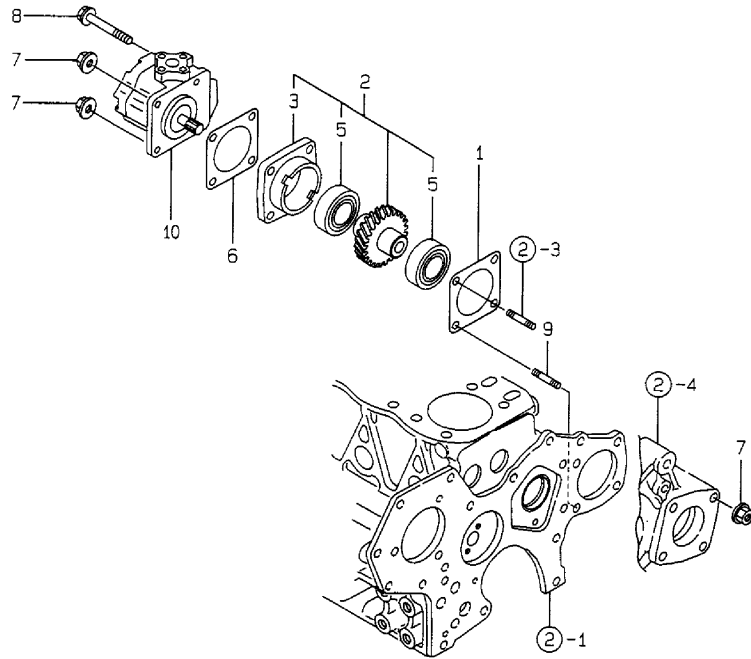


No.	Lev.	Parts No.	Description	Q'ty						I	R
				(A)	(B)	(C)	(D)	(E)	(F)		
1	1	119813-21000	CRANKSHAFT ASSY	1	1						
2	2	129100-01580	PIN, M8X16	1	1						
5	2	129150-21200	GEAR, CRANKSHAFT	1	1						
6	2	22512-070140	KEY, 7X 14	1	1						
8	1	22351-040010	PIN, SPRING 4.0X10	1	1						
9	1	171301-21650	V-PULLEY	1	1						
10	1	129795-21661	WASHER	1	1						
11	1	121850-21680	BOLT	1	1						
12	1	121111-21501	BOLT, FLYWHEEL	6	6						
13	1	171325-21590	FLYWHEEL ASSY	1	1						
16	2	119865-21600	GEAR, RING	1	1						
17	1	119818-22080	PISTON ASSY	3	3						
19	2	119818-22500	RING SET, PISTON	3	3						
23	1	119813-22300	PIN, PISTON	3	3						
24	1	129792-22400	CIRCLIP, 23	6	6						
25	1	719810-23100	ROD ASSY, CONNECTING	3	3						
29	2	119810-23910	BEARING, PISTON PIN	3	3						1
30	2	119810-23200	BOLT, CONNECTING ROD	6	6						
31	2	119810-23600	BEARING, CRANK PIN	3	3						
33	1	119810-23610	BEARING, 0.25 US	3	3						2
35	1	119818-22900	PISTON ASSY, 0.25 OS	3	3						3
37	2	119818-22950	RING SET, 0.25 OS	3	3						3

Remarks

- (1) REPAIR PART.
- (2) UNDER-SIZE(U.S=0.25)PART.
- (3) OVER-SIZE(O.S=0.25)PART.

Fig.9. HYDRAULIC PUMP

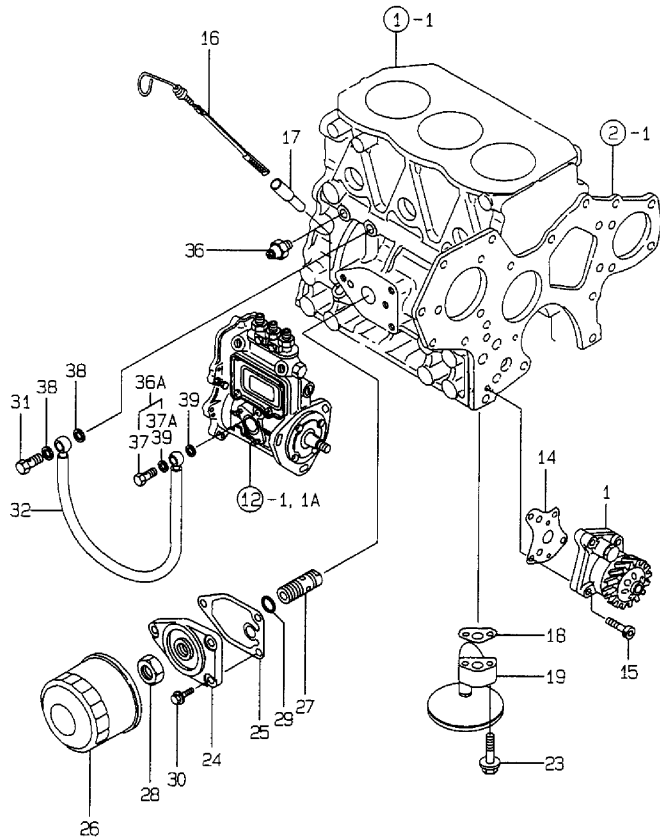


(A)=3TNE78A-TBY
 (B)=3TNE78A-ETBY
 (C)=

(D)=
 (E)=
 (F)=

No.	Lev.	Parts No.	Description	Q'ty						I	R
				(A)	(B)	(C)	(D)	(E)	(F)		
1	1	129150-01881	GASKET	1	1						
2	1	129150-26000	DRIVE ASSY, PUMP	1	1						
3	2	129150-26050	BRACKET, PUMP	1	1						
5	2	24105-060064	BEARING, BALL 6006Z	2	2						
6	1	124240-01883	GASKET	1	1						
7	1	26366-080002	NUT, M8	4	4						
8	1	26106-080952	BOLT, M8X 95 PLATED	2	2						
9	1	26216-080402	STUD, M8X 40	1	1						
10	1	119462-26010	PUMP ASSY, HYDRAULIC	1	1						

Fig.10. LUB.OIL SYSTEM



(A)=3TNE78A-TBY
(B)=3TNE78A-ETBY
(C)=

(D)=
(E)=
(F)=

No.	Lev.	Parts No.	Description	Q'ty						I	R
				(A)	(B)	(C)	(D)	(E)	(F)		
1	1	129001-32001	PUMP ASSY, OIL	1	1						
14	1	129150-32020	GASKET, PUMP	1	1						
15	1	26450-060252	BOLT, M6X 25	4	4						
16	1	119836-34800	DIPSTICK, OIL	1	1						
17	1	121520-34810	GUIDE, DIPSTICK	1	1						
18	1	129150-35041	GASKET	1	1						
19	1	119810-35300	PIPE ASSY, OIL INLET	1	1						
23	1	26106-080352	BOLT, M8X 35 PLATED	2	2						
24	1	129150-35101	BRACKET, STRAINER	1	1						
25	1	129150-35111	GASKET	1	1						
26	1	129150-35151	FILTER, D80XL80	1	1						
27	1	129001-35300	BOLT, FILTER	1	1						
28	1	129150-35350	NUT	1	1						
29	1	24311-000160	O-RING, 1AP16.0	1	1						
30	1	26106-080202	BOLT, M8X 20 PLATED	3	3						
31	1	124160-39140	BOLT, PIPE JOINT M10	1	1						
32	1	119810-39200	PIPE ASSY, OIL	1	1						
36	1	121252-39450	SWITCH, 0.5KG	1	1						
36A	1	124550-59830	BOLT ASSY, JOINT M8	1	1						W
		(A=E24771)									
37	2	124550-59820	BOLT, PIPE JOINT M8	1	1						
37A	2	22190-080002	WASHER, SEAL 6	1	1						W
		(A=E24771)									
38	1	23414-100000	GASKET, 10X1.0	2							
38-1	1	22190-100002	WASHER, SEAL 10	2	2						N
		(A=E42048)									
39	1	22190-080002	WASHER, SEAL 6	2							
39-1	1	22190-080002	WASHER, SEAL 6	1	1						K
		(A=E24771)									

Fig.11. COOLING WATER SYSTEM

(A)=3TNE78A-TBY
 (B)=3TNE78A-ETBY
 (C)=

(D)=
 (E)=
 (F)=

No.	Lev.	Parts No.	Description	Q'ty						I	R
				(A)	(B)	(C)	(D)	(E)	(F)		
1	1	119810-42001	PUMP ASSY, WATER	1	1						
11	2	129150-42320	O-RING	1	1						
12	2	23871-030000	PLUG, R03	2							
12-1	2	23876-030000	PLUG, R03	2	2						N
		(A=E42492)									
14	1	129150-42020	GASKET, WATER PUMP	1							
14-1	1	129486-42050	GASKET, WATER PUMP	1	1						N
		(A=E42492)									
15	1	26106-080352	BOLT, M8X 35 PLATED	1	1						
16	1	26106-080552	BOLT, M8X 55 PLATED	3	3						
17	1	119865-42290	V-BELT, A36.5	1	1						
18	1	129556-42350	V-PULLEY, 96	1	1						
19	1	129114-44740	FAN, COOLING D325XY	1	1						
20	1	124574-44761	SPACER, FAN	1	1						
21	1	26014-060302	BOLT, M6X 30	4	4						
22	1	129350-49530	COVER, THERMOSTAT	1	1						
23	1	129795-49551	GASKET	1	1						
24	1	129155-49800	THERMOSTAT, 71	1	1						
25	1	129150-49811	GASKET, THERMOSTAT	1	1						
26	1	26106-080202	BOLT, M8X 20 PLATED	2							
26-1	1	26106-080222	BOLT, M8X 22 PLATED	2	2						N
		(A=E42492)									
27	1	121250-44901	SWITCH, 110	1	1						
28	1	124465-44950	GASKET, 16	1	1						
29	1	124250-49351	SENSOR	1							
29-1	1	171056-49351	SENSOR	1	1						N
		(A=E42492)									
30	1	129150-49360	GASKET	1	1						
31	1	119869-44510	RADIATOR	1	1						
32	2	123682-44210	CAP, RADIATOR	1	1						
33	1	119620-49290	COCK ASSY, 1/4	1	1						
36	1	171064-44510	TANK ASSY, SUB	1	1						
38	2	121450-44531	CAP	1	1						
39	2	124450-44560	RETAINER	1	1						
40	2	121470-44581	GASKET	1	1						
41	2	23065-070225	HOSE 7X 225	1	1						
42	1	124450-44550	BAND	1	1						
43	1	129132-44590	NET, WIRE	1	1						
44	1	121256-44600	BRACKET, SUB TANK	1	1						
45	1	129132-44901	COOLER ASSY, OIL	1	1						
46	1	119859-49010	PIPE, WATER	1	1						
47	1	119869-49020	PIPE, WATER	1	1						
48	1	23010-038000	CLAMP, 38	4	4						
49	1	721521-49100	COCK ASSY, 2-WAY	1	1						
51	2	121250-49121	PLUG, DRAIN	1	1						
52	2	24311-000160	O-RING, 1AP16.0	1	1						

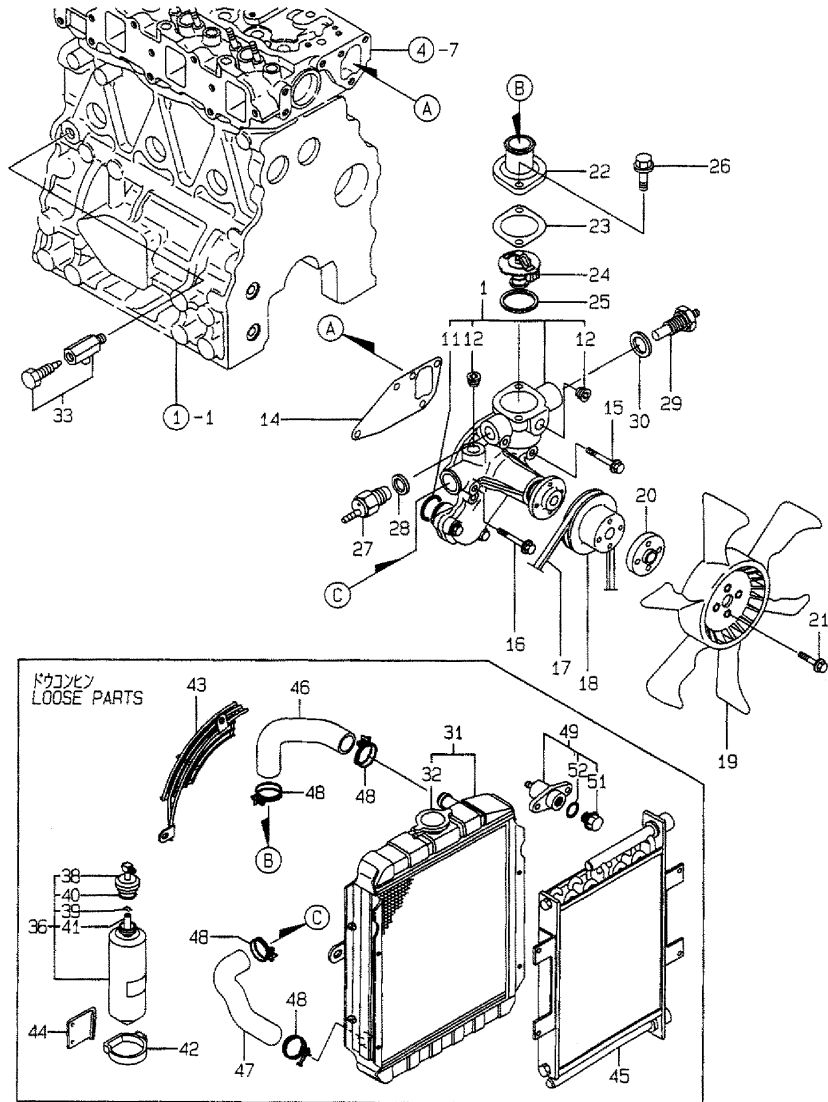
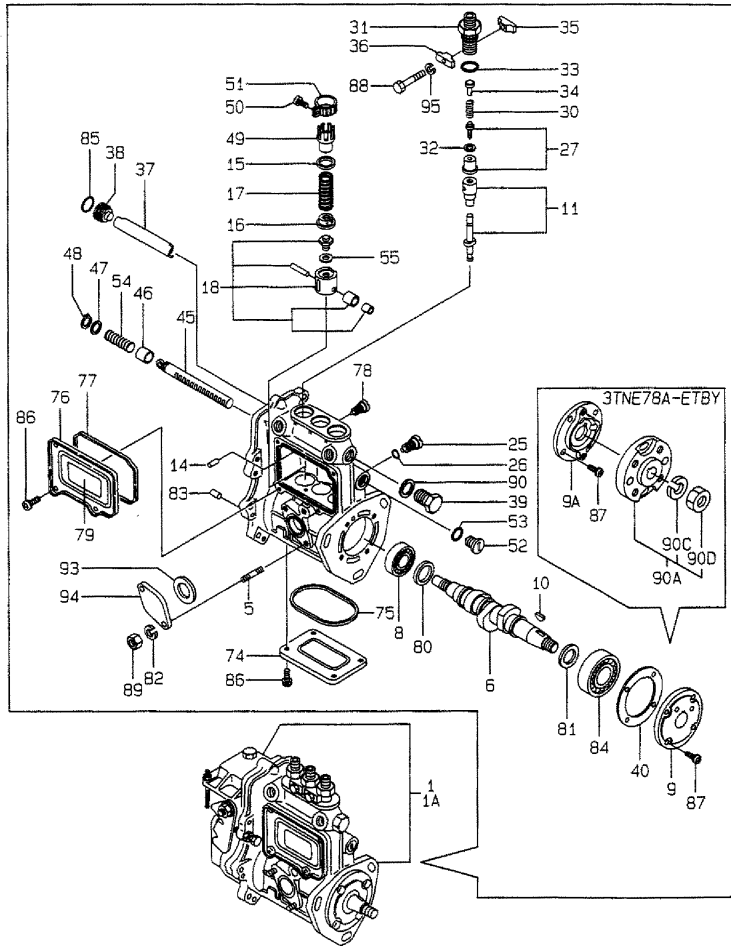


Fig.12. FUEL INJECTION PUMP



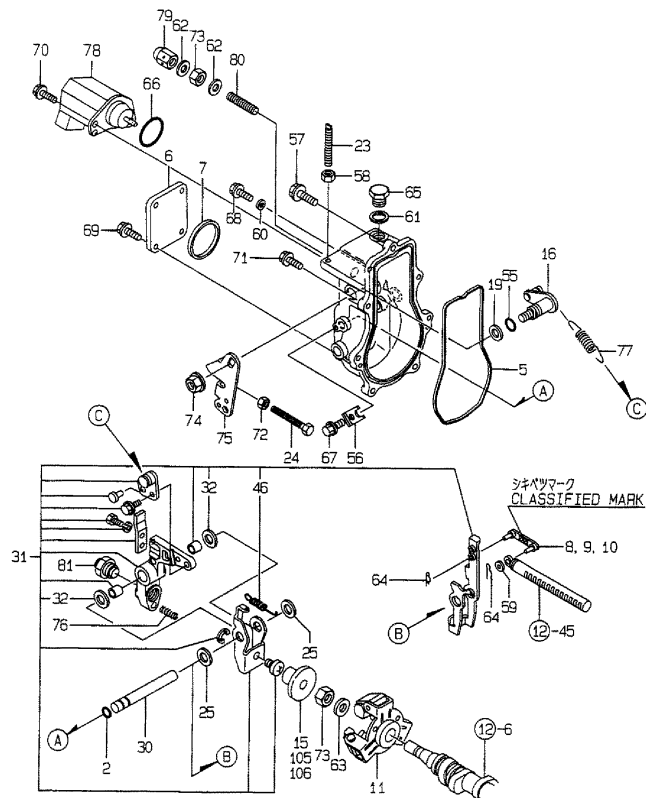
(A)=3TNE78A-TBY
 (B)=3TNE78A-ETBY
 (C)=

(D)=
 (E)=
 (F)=

No.	Lev.	Parts No.	Description	Qty						I	R
				(A)	(B)	(C)	(D)	(E)	(F)		
1	1	719911-51380	PUMP ASSY, INJECTION	1							1
1A	1	719910-51450	PUMP ASSY, INJECTION		1						1
5	2	129155-51020	STUD	2	2						
6	2	119810-51040	CAMSHAFT	1	1						
8	2	129155-51050	BEARING, 17BM001D	1	1						
9	2	129155-51060	SUPPORT, CAMSHAFT	1							
9A	2	129208-51060	SUPPORT		1						
10	2	122710-51090	KEY	1	1						
11	2	129108-51100	PLUNGER ASSY	3	3						
14	2	129155-51140	PIN	3	3						
15	2	174307-51170	RETAINER, SPRING A	3	3						
16	2	129155-51180	RETAINER, SPRING	3	3						
17	2	124950-51190	SPRING, PLUNGER	3	3						
18	2	129155-51200	TAPPET ASSY	3	3						
25	2	129155-51270	STOPPER, TAPPET	3	3						
26	2	129155-51280	O-RING, S6	3	3						
27	2	129505-51300	VALVE ASSY, DELIVERY	3	3						
30	2	129155-51320	SPRING, DELIVERY	3	3						
31	2	129155-51340	RETAINER	3	3						
32	2	124550-51350	GASKET, DELIVERY	3	3						
33	2	124550-51370	O-RING	3	3						
34	2	129155-51370	STOPPER, VALVE	3	3						
35	2	129155-51380	STOPPER	2	2						
36	2	129155-51390	STOPPER	2	2						
37	2	129155-51400	DEFLECTOR	1	1						
38	2	129155-51410	BOLT	1	1						
39	2	129155-51420	PLUG, M16	1	1						
40	2	129155-51450	SHIM SET, ADJUSTING	1	1						
45	2	129155-51500	RACK, CONTROL	1	1						
46	2	129155-51521	BUSH, RACK	1	1						
47	2	129155-51530	SPACER	1	1						
48	2	129155-51540	CIRCLIP	1	1						
49	2	129155-51550	PINION, CONTROL	3	3						
50	2	122117-51560	SCREW	3	3						
51	2	174307-51560	PINION	3	3						
52	2	129155-51570	PLUG, M12	1	1						
53	2	129155-51580	O-RING	1	1						
54	2	129155-51591	SPRING, RACK	1	1						
55	2	129155-51600	SHIM SET, ADJUSTING	3	3						
74	2	129155-51700	COVER	1							
74-1	2	129155-51701	COVER	1	1						N
(A=E42336)											
75	2	129155-51710	GASKET	1	1						
76	2	129155-51750	COVER	1							
76-1	2	129155-51751	COVER	1	1						N
(A=E42336)											
77	2	129155-51760	GASKET	1	1						
78	2	129155-51790	STOOPER, RACK	1	1						
79	2	129156-51910	LABEL, CAUTION	1	1						
80	2	129155-51930	SPACER, T=3.25	1	1						
81	2	129155-51940	SPACER, T=1.5	1	1						

Remarks
 (1) GOVERNOR(FIG.13) IS INCORPORATED
 IN THIS FUEL INJECTION PUMP ASSY
 (REF.NO.1,1A).

Fig.13. GOVERNOR



Remarks

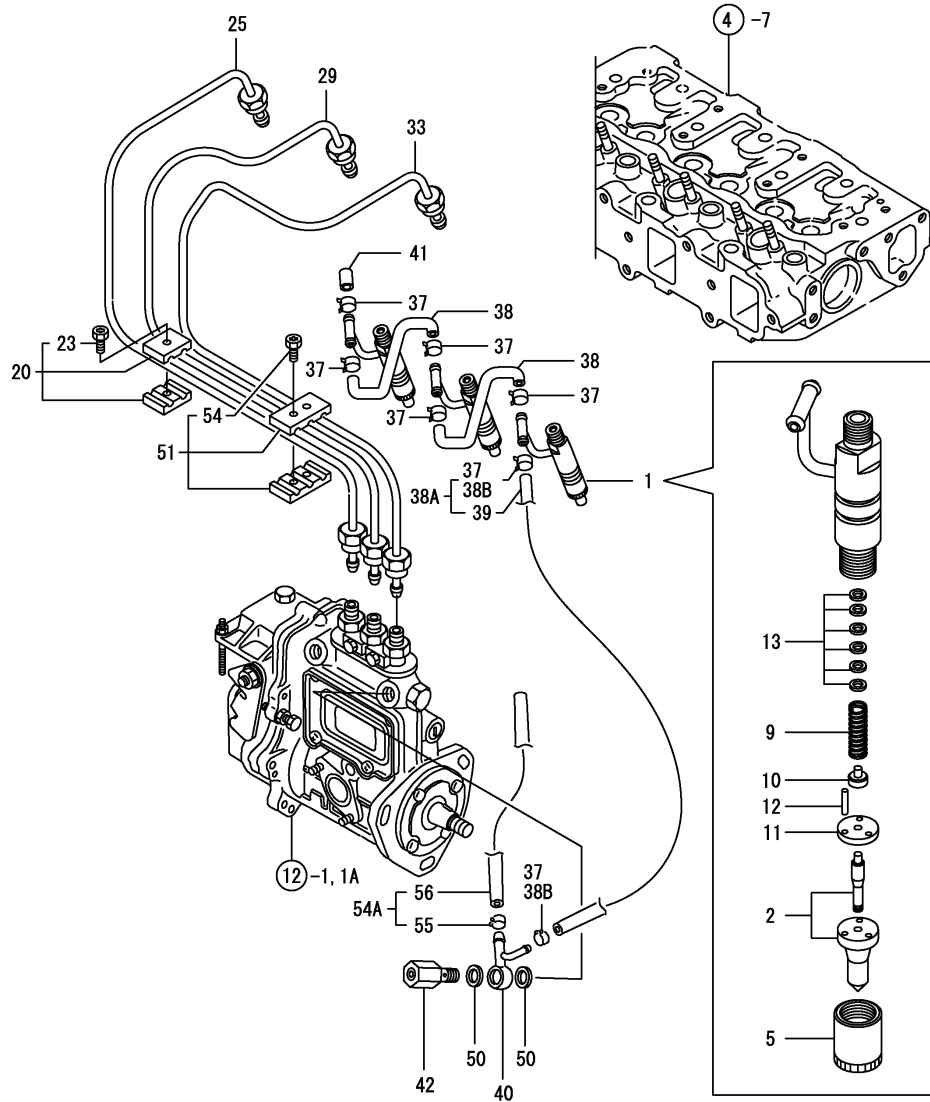
- (1) SELECTIVE PARTS: CERTAIN THE CLASSIFICATION MARK, THEN PLACE YOUR ORDER.(REFER TO ILLUSTRATION).
- (2) SELECTIVE PARTS.
* THIS FIGURE(GOVERNOR ASSY) IS INCORPORATED IN THE FUEL INJECTION PUMP ASSY(FIG.12).

(A)=3TNE78A-TBY
(B)=3TNE78A-ETBY
(C)=

(D)=
(E)=
(F)=

No.	Lev.	Parts No.	Description	Q'ty						I	R
				(A)	(B)	(C)	(D)	(E)	(F)		
2	2	129155-51280	O-RING, S6	1	1						
5	2	129052-61050	GASKET	1	1						
6	2	129052-61060	COVER, GOVERNOR CASE	1	1						
7	2	129052-61070	GASKET	1	1						
8	2	129155-61120	LINK, L=30 MARK 0	1	1						1
9	2	129155-61130	LINK, L=31 MARK 1	1	1						1
10	2	129155-61140	LINK, L=30.5 MARK 05	1	1						1
11	2	129155-61201	WEIGHT ASSY,GOVERNOR	1							
11-1	2	129155-61202	WEIGHT ASSY,GOVERNOR	1	1						R
(A=E42336)											
15	2	129155-61341	SLEEVE	1	1						2
16	2	129100-61400	SHAFT ASSY	1	1						
19	2	129155-61430	SPACER	1	1						
23	2	129155-61450	BOLT, LIMITER	1	1						
24	2	129155-61460	BOLT, IDLE	1	1						
25	2	129155-61480	SPACER ASSY	2	2						
30	2	129052-61390	SHAFT	1	1						
31	2	129052-61500	LEVER ASSY, GOVERNOR	1	1						
32	3	174307-51700	SHIM SET	2	2						
46	3	129052-61540	SPRING, SET	1	1						
55	2	129155-61830	O-RING, S10	1	1						
56	2	119660-61901	RETAINER, SHAFT	1	1						
57	2	129155-61950	BOLT	1	1						
58	2	124550-66370	NUT, M6	1	1						
59	2	22117-040000	WASHER, 4	1	1						
60	2	22190-060002	WASHER, SEAL 6	1							
60-1	2	22190-060003	SEAL WASER 6	1	1						N
(A=E24771)											
61	2	22190-100002	WASHER, SEAL 10	1	1						
62	2	22190-120002	WASHER, SEAL 12	2	2						
63	2	22287-120000	WASHER, 12	1	1						
64	2	22372-040000	PIN, SNAP 4	2	2						
65	2	23887-100002	PLUG, 10	1	1						
66	2	24341-000280	O-RING, 1AS28.0	1	1						
66-1	2	158552-61900	O-RING	1	1						N
(A=EXXXXX) (B=EXXXXX)											
67	2	26106-060102	BOLT, M6X 10 PLATED	1	1						
68	2	26106-060102	BOLT, M6X 10 PLATED	1	1						
69	2	26106-060102	BOLT, M6X 10 PLATED	4	4						
70	2	26106-060142	BOLT, M6X 14 PLATED	2	2						
71	2	26106-060202	BOLT, M6X 20 PLATED	6	6						
72	2	26756-060002	NUT, LOCK M6	1	1						
73	2	26776-120002	NUT, LOCK M12	2	2						
74	2	26366-080002	NUT, M8	1	1						
75	2	129100-61440	LEVER, CONTROL	1	1						
76	2	129100-61650	SPRING, CONTROLLER	1	1						
77	2	171353-61710	SPRING, GOVERNOR	1	1						
78	2	119285-77951	SOLENOID	1	1						
79	2	26687-120002	NUT, CAP M12	1	1						
80	2	129155-61470	BOLT, CONTROL	1	1						
81	2	171353-61550	ANGLEICH ASSY	1	1						

Fig.14. FUEL INJECTION VALVE



(A)=3TNE78A-TBY
(B)=3TNE78A-ETBY
(C)=

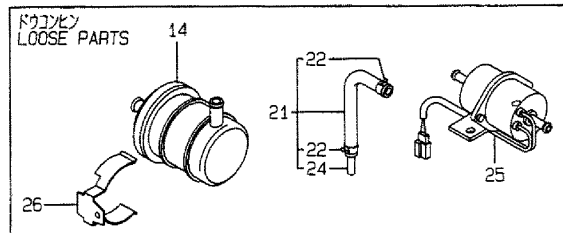
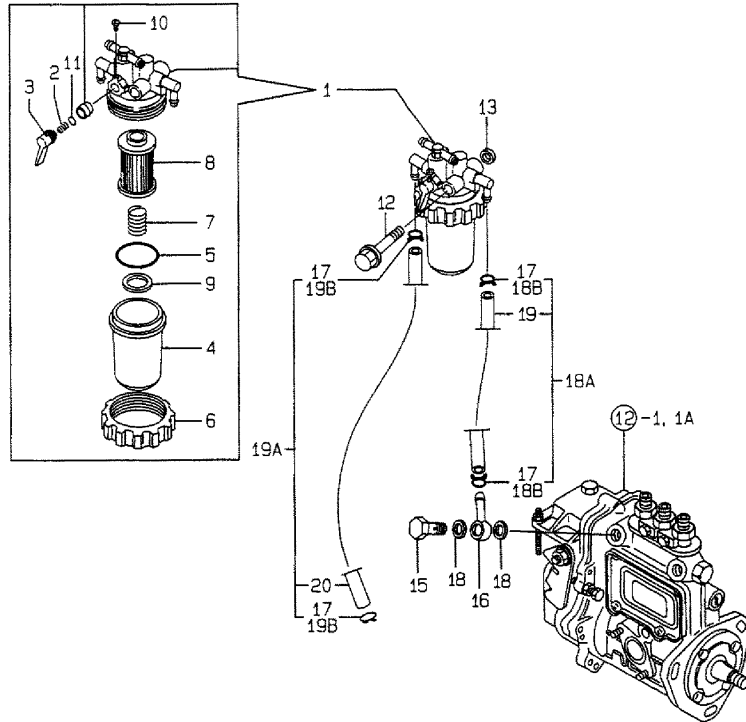
(D)=
(E)=
(F)=

No.	Lev.	Parts No.	Description	Q'ty						I	R
				(A)	(B)	(C)	(D)	(E)	(F)		
1	1	719810-53100	VALVE ASSY,INJECTION	3	3						
2	2	119810-53000	VALVE ASSY,INJECTION	3	3						
5	2	114250-53080	NUT, NOZZLE D16.95	3	3						
9	2	114250-53120	SPRING, NOZZLE	3	3						
10	2	114250-53130	SEAT, SPRING	3	3						
11	2	114250-53140	PLATE	3	3						
12	2	114250-53210	PIN	6	6						
13	2	114250-53400	SHIM SET	3	3						
20	1	119305-59120	RETAINER, PIPE	1	1						
23	2	129150-59131	BOLT, M4X14	1	1						
25	1	119813-59811	PIPE ASSY, INJECTION	1							
25-1	1	119813-59812	PIPE ASSY, INJECTION	1	1						R
(A=E24771)											
29	1	119813-59821	PIPE ASSY, INJECTION	1	1						
33	1	119813-59831	PIPE ASSY, INJECTION	1	1						
37	1	124066-59100	CLIP, HOSE 8	7							
37-1	1	124066-59100	CLIP, HOSE 8	5	5						K
(A=E42048)											
38	1	121250-59550	PIPE, FUEL D8X120	2	2						
38A	1	119840-59500	PIPE ASSY, RETURN	1	1						W
(A=E42048)											
38B	2	124066-59100	CLIP, HOSE 8	2	2						W
(A=E42048)											
39	2	119840-59560	PIPE, FUEL RETURN	1	1						
40	1	119840-59570	JOINT	1	1						
41	1	129150-59580	CAP	1	1						
42	1	129100-59951	VALVE ASSY, CHECK	1	1						
50	1	23414-120000	GASKET, 12X1.0	2							
50-1	1	22190-120002	WASHER, SEAL 12	2	2						N
(A=E42048)											
51	1	129150-59120	RETAINER, PIPE	1	1						
54	2	129150-59131	BOLT, M4X14	2	2						
54A	1	129210-59130	PIPE ASSY, FUEL	1	1						W
(A=E24771)											
55	2	124766-59050	CLIP, HOSE 12	2	2						
56	2	105025-59750	PIPE, FUEL	1	1						

Fig.15. FUEL LINE

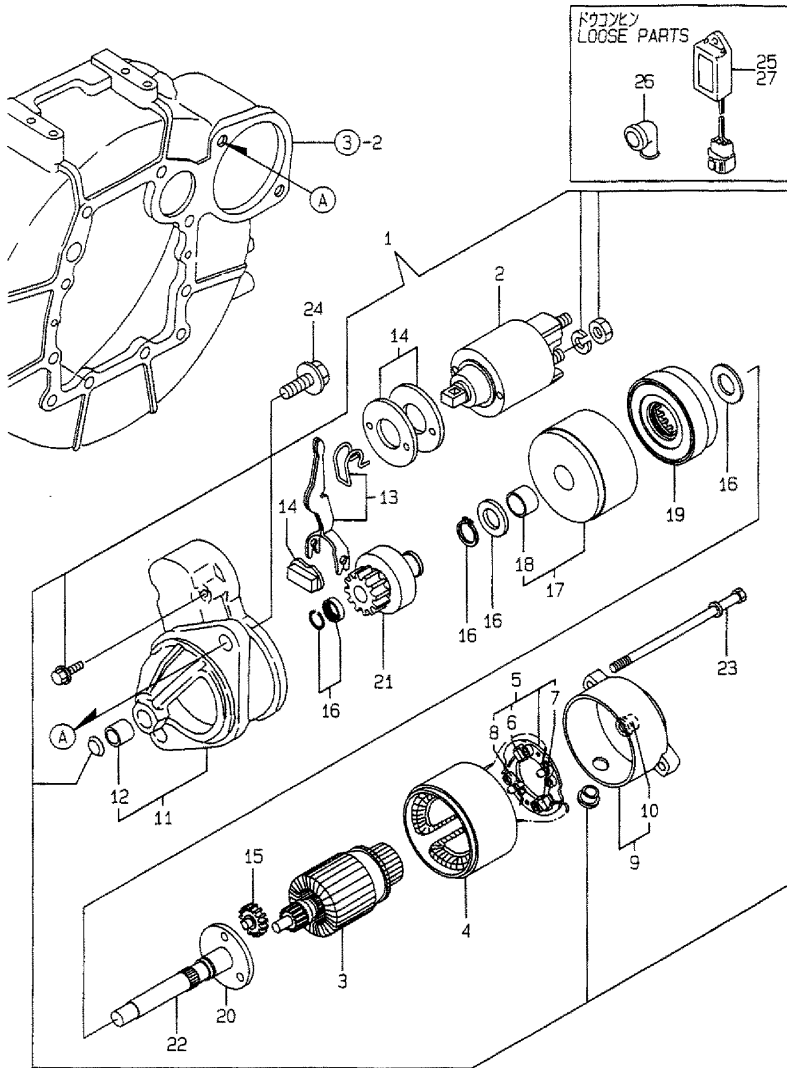
(A)=3TNE78A-TBY
 (B)=3TNE78A-ETBY
 (C)=

(D)=
 (E)=
 (F)=



No.	Lev.	Parts No.	Description	Q'ty						I	R
				(A)	(B)	(C)	(D)	(E)	(F)		
1	1	129053-55620	FILTER ASSY, FUEL	1	1						
2	2	104200-55330	SPRING, VALVE	1	1						
3	2	119810-55340	LEVER	1	1						
4	2	129107-55510	CUP, STRAINER	1	1						
5	2	102103-55520	O-RING	1	1						
6	2	110250-55610	RING, RETAINING	1	1						
7	2	121250-55620	SPRING	1	1						
8	2	119810-55650	ELEMENT	1	1						
9	2	121257-55731	FLOAT	1	1						
10	2	104200-55750	SCREW, M4	1	1						
11	2	24311-240100	O-RING, 1AP10A	1	1						
12	1	26014-080752	BOLT, M8X 75	1	1						
13	1	106500-44810	SPACER	1	1						
14	1	129052-55630	FILTER, FUEL	1	1						
15	1	103854-39140	BOLT, PIPE JOINT	1	1						
16	1	101304-59020	JOINT, PIPE 12	1	1						
17	1	124766-59050	CLIP, HOSE 12	4							Z
(A=E24771)											
18	1	22190-120002	WASHER, SEAL 12	2	2						
18A	1	129210-59040	PIPE ASSY, FUEL	1	1						W
(A=E24771)											
18B	2	124766-59050	CLIP, HOSE 12	2	2						W
(A=E24771)											
19	2	129555-59510	PIPE, D13/7.5X180	1	1						
19A	1	129210-59130	PIPE ASSY, FUEL	1	1						W
(A=E24771)											
19B	2	124766-59050	CLIP, HOSE 12	2	2						W
(A=E24771)											
20	2	105025-59750	PIPE, FUEL	1	1						
21	1	119840-59601	BEND	1	1						
22	2	124766-59050	CLIP, HOSE 12	2	2						
24	2	119840-59621	JOINT	1	1						
25	1	129322-77401	PUMP ASSY, FUEL FEED	1	1						
26	1	198072-04320	CLAMP, FILTER	1	1						W
(A=E17794)											

Fig.16. STARTING MOTOR

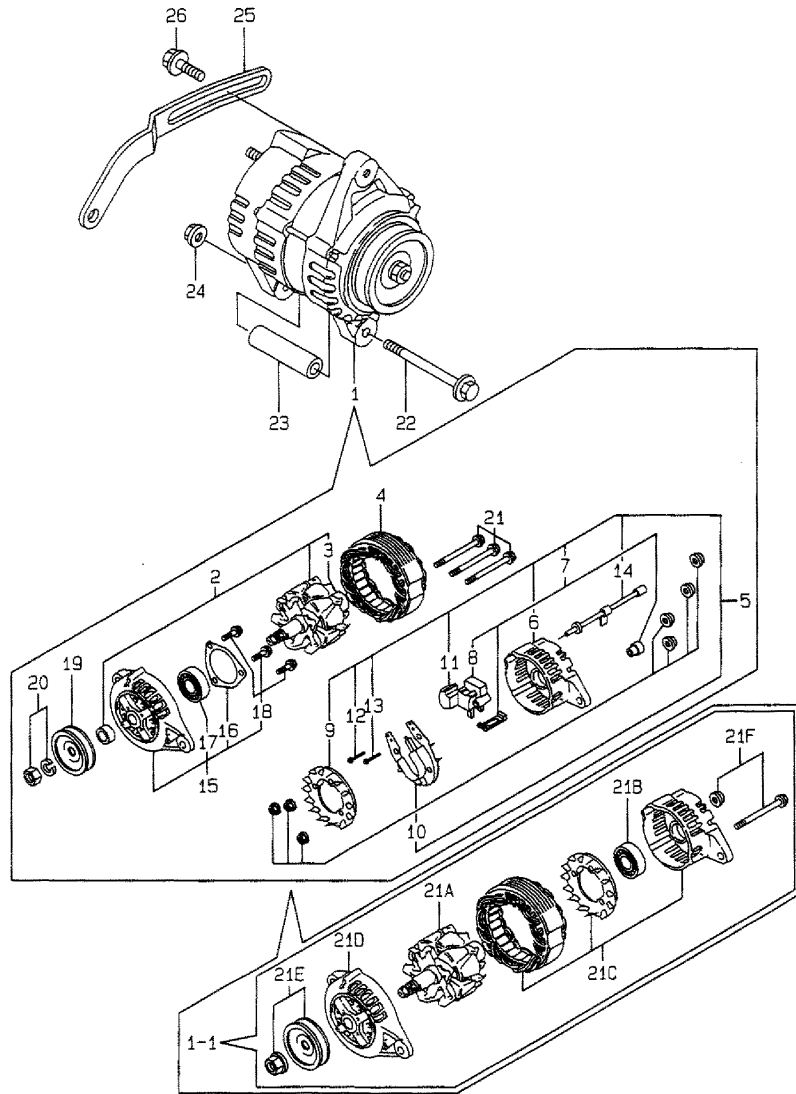


No.	Lev.	Parts No.	Description	Q'ty						I	R
				(A)	(B)	(C)	(D)	(E)	(F)		
1	1	129698-77010	STARTER, 12V1.2KW	1	1						
2	2	124298-77020	SWITCH, MAGNETIC	1							
2-1	2	129698-77020	MAGNETIC SWITCH ASSY	1	1						R
(A=E24771)											
3	2	129698-77100	ARMATURE ASSY	1	1						
4	2	129698-77110	COIL ASSY, FIELD	1	1						
5	2	129698-77120	HOLDER ASSY, BRUSH	1	1						
6	3	129698-77140	BRUSH(+)	1	1						
7	3	129698-77130	BRUSH(-)	2	2						
8	3	129698-77150	SPRING, BRUSH	4	4						
9	2	129698-77160	COVER ASSY, REAR	1	1						
10	3	129698-77170	BEARING	1	1						
11	2	129698-77260	HOUSING ASSY, GEARS	1	1						
12	3	X2114535200	METAL, STARTER	1	1						
13	2	129698-77270	LEVER SET, SHIFT	1	1						
14	2	129698-77280	COVER KIT	1	1						
15	2	129698-77240	GEAR	3	3						
16	2	129698-77250	WASHER SET	1	1						
17	2	129698-77180	BRACKET	1	1						
18	3	129698-77190	BRACKET	1	1						
19	2	129698-77200	GEAR, INTERNAL	1	1						
20	2	129698-77210	BRACKET	1	1						
21	2	129698-77220	PINION ASSY	1	1						
22	2	129698-77230	SHAFT(PINION)	1	1						
23	2	124195-77770	THROUGH BOLT	2	2						
24	1	26116-120252	BOLT, M12X 25 PLATED	2	2						
25	1	129136-77100	RELAY, SAFETY	1	1						
26	1	124550-77030	COVER, TERMINAL	1	1						
27	1	119632-77920	TIMER	1	1						

Fig.17. GENERATOR

(A)=3TNE78A-TBY
 (B)=3TNE78A-ETBY
 (C)=

(D)=
 (E)=
 (F)=

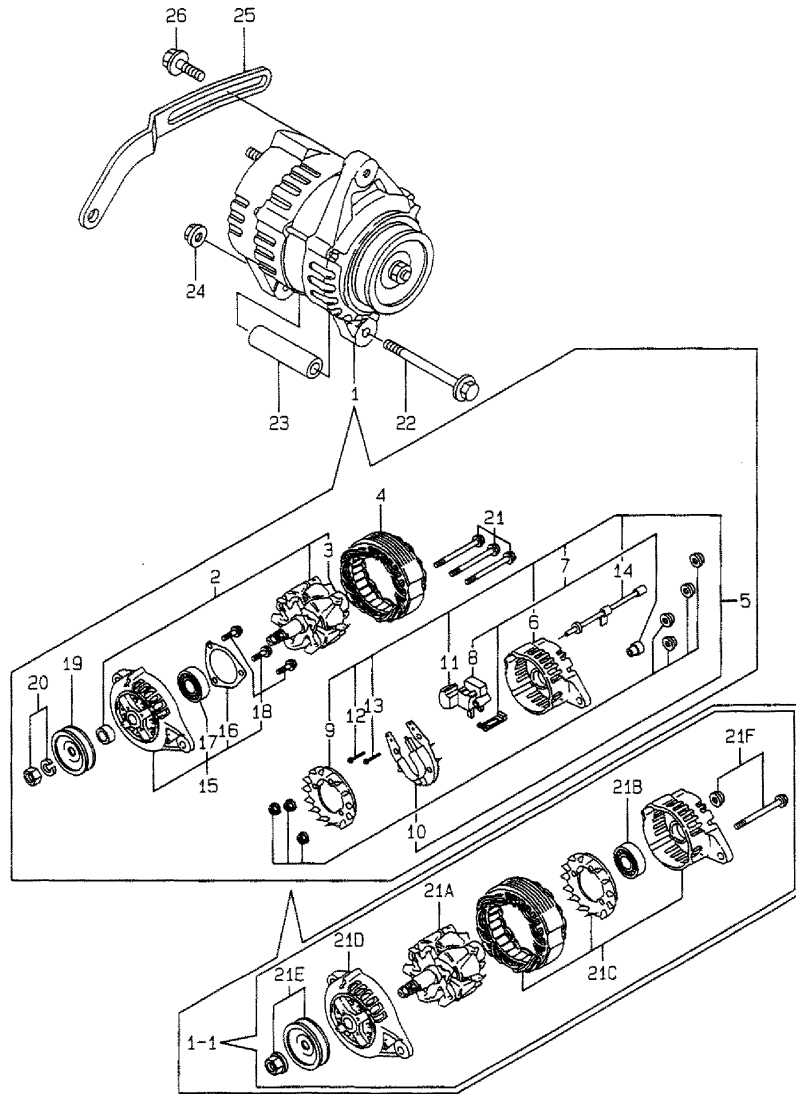


No.	Lev.	Parts No.	Description	Q'ty						I	R
				(A)	(B)	(C)	(D)	(E)	(F)		
1	1	119836-77200	GENERATOR	1							
1-1	1	119836-77201 (A=E24771)	GENERATOR (AC)	1	1						R
2	2	119836-77700 (A=E24771)	ROTOR ASSY	1							Z
3	3	119836-77850 (A=E24771)	BALL BEARING	1							Z
4	2	119836-77710 (A=E24771)	STATOR ASSY	1							Z
5	2	119836-77721 (A=E24771)	COVER ASSY, REAR	1							Z
6	3	119836-77730 (A=E24771)	COVER, REAR	1							Z
7	3	119836-77741 (A=E24771)	BRUSH ASSY,REGULATOR	1							Z
8	4	119836-77750 (A=E24771)	BRUSH ASSY	1							Z
9	3	119836-77760 (A=E24771)	GUIDE, FAN SIDE	1							Z
10	3	119836-77770 (A=E24771)	DIODE ASSY	1							Z
11	3	119836-77780 (A=E24771)	CONDENSER	1							Z
12	3	119836-77871 (A=E24771)	BOLT (1)	1							Z
13	3	119836-77880 (A=E24771)	BOLT (2)	1							Z
14	3	119836-77890 (A=E24771)	WIRE ASSY, LEAD	1							Z
15	2	119836-77790 (A=E24771)	COVER ASSY, FRONT	1							Z
16	3	119836-77800 (A=E24771)	RETAINER, BEARING	1							Z
17	3	119836-77840 (A=E24771)	BALL BEARING	1							Z
18	3	119836-77860 (A=E24771)	SCREW KID	1							Z
19	2	119836-77810 (A=E24771)	PULLEY	1							Z
20	2	119836-77820 (A=E24771)	NUT ASSY, PULLEY	1							Z
21	2	119836-77830 (A=E24771)	BOLT, THROUGH	1							Z
21A	2	129612-77700 (A=E24771)	ROTOR ASSY	1	1						W
21B	2	129612-77710 (A=E24771)	BEARING, BALL	1	1						W
21C	2	119836-77920 (A=E24771)	BRACKET ASSY	1	1						W
21D	2	129612-77730 (A=E24771)	BRACKET ASSY, FILTER	1	1						W

Fig.17. GENERATOR

(A)=3TNE78A-TBY
 (B)=3TNE78A-ETBY
 (C)=

(D)=
 (E)=
 (F)=

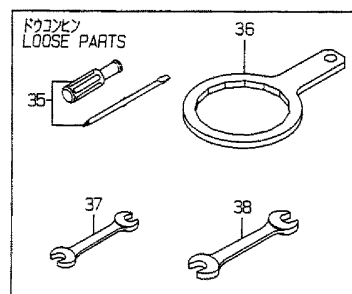
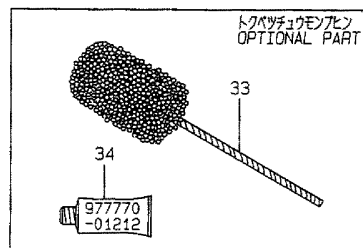
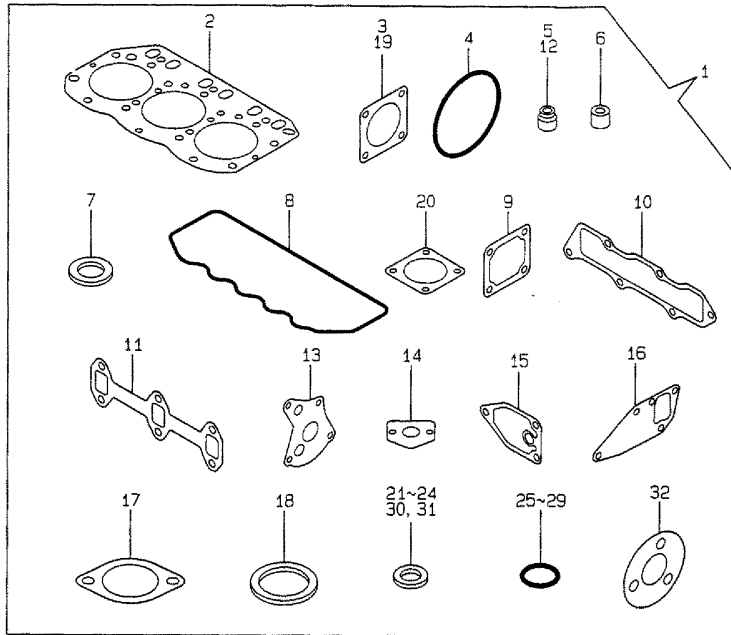


No.	Lev.	Parts No.	Description	Qty						I	R
				(A)	(B)	(C)	(D)	(E)	(F)		
21E	2	129612-77740	PULLEY	1	1						W
		(A=E24771)									
21F	2	129612-77750	SCREW KIT	1	1						W
		(A=E24771)									
22	1	129136-77250	BOLT M 8X105	1							
22-1	1	129136-77251	BOLT, M8X110	1	1						N
		(A=E17975)									
23	1	119820-77340	PIECE, DISTANCE	1	1						
24	1	26366-080002	NUT, M8	1							
24-1	1	129612-77260	NUT, ALTERNATOR	1	1						R
		(A=EXXX)									
25	1	119823-77330	ADJUSTER	1	1						
26	1	26014-080252	BOLT, M8X 25	1							
26-1	1	119810-77340	BOLT, ADJUSTER	1	1						N
		(A=E17975)									

Fig.18. GASKET SET

(A)=3TNE78A-TBY
 (B)=3TNE78A-ETBY
 (C)=

(D)=
 (E)=
 (F)=



No.	Lev.	Parts No.	Description	Q'ty						I	R
				(A)	(B)	(C)	(D)	(E)	(F)		
1	1	719818-92610	GASKET SET	1							1
1-1	1	719818-92611	GASKET SET	1	1						N 1
(A=EXXX)											
2	2	119818-01330	GASKET, HEAD	1	1						
3	2	124240-01883	GASKET	3	3						
4	2	121850-51960	O-RING	1	1						
5	2	124160-11340	SEAL, VALVE STEM	3	3						
6	2	119625-11871	PROTECTOR, NOZZLE	3							
6-1	2	119625-11870	PROTECTOR, NOZZLE	3	3						N
(A=EXXX)											
7	2	119625-11880	SEAT, NOZZLE	3	3						
8	2	119865-11310	GASKET, BONNET	1	1						
9	2	129150-77511	GASKET	1	1						
10	2	119813-12110	GASKET, MANIFOLD	1	1						
11	2	119810-13110	GASKET	1	1						
12	2	124950-11340	SEAL, VALVE STEM	3	3						
13	2	129150-32020	GASKET, PUMP	1	1						
14	2	129150-35041	GASKET	1	1						
15	2	129150-35111	GASKET	1	1						
16	2	129150-42020	GASKET, WATER PUMP	1							
16-1	2	129486-42050	GASKET, WATER PUMP	1	1						N
(A=E42492)											
17	2	129795-49551	GASKET	1	1						
18	2	129150-49811	GASKET, THERMOSTAT	1	1						
19	2	129150-01881	GASKET	1	1						
20	2	124701-11911	GASKET, SILENCER	2	2						
21	2	124465-44950	GASKET, 16	1	1						
22	2	129150-49360	GASKET	1	1						
23	2	22190-120002	WASHER, SEAL 12	2							
23-1	2	22190-120002	WASHER, SEAL 12	4	4						K
(A=E42048)											
24	2	23414-120000	GASKET, 12X1.0	2							Z
(A=E42048)											
25	2	24311-000120	O-RING, 1AP12.0	3	3						
26	2	24311-000160	O-RING, 1AP16.0	3	3						
27	2	24311-000320	O-RING, 1AP32.0	3	3						
28	2	24341-000240	O-RING, 1AS24.0	1	1						
29	2	24341-000500	O-RING, 1AS50.0	1	1						
30	2	23414-100000	GASKET, 10X1.0	2							
30-1	2	22190-100002	WASHER, SEAL 10	2	2						N
(A=E42048)											
31	2	22190-080002	WASHER, SEAL 6	7	7						
32	2	103954-13201	GASKET, SILENCER	1	1						
33	1	129400-92420	FLEX HORN	1	1						1
34	1	977770-01212	GASKET, LIQUID	1	1						1
35	1	104200-92350	DRIVER, SCREW	1	1						W
(A=E17794)											
36	1	119640-92750	WRENCH, FILTER 80	1	1						W
(A=E17794)											
37	1	28110-100120	SPANNER, 10X12	1	1						W
(A=E17794)											

Remarks
 (1) OPTIONAL PART.

Parts No. Index

Parts No.	Fig. No.	Ref. No.
101304-59020	15	16
102103-55520	15	5
103854-39140	15	15
103954-13201	6	9
	18	32
104200-55330	15	2
104200-55750	15	10
104200-92350	18	35
104211-11180	4	18
104211-11370	4	22
105025-59750	14	56
	15	20
106500-44810	15	13
110250-55610	15	6
114250-53080	14	5
114250-53120	14	9
114250-53130	14	10
114250-53140	14	11
114250-53210	14	12
114250-53400	14	13
119131-18320	6	4
119140-12680	5	13
119285-77951	13	78
119305-59120	14	20
119462-26010	9	10
119620-01750	3	3
119620-02020	1	13
119620-49290	11	33
119625-11870	4	23 -1
	18	6 -1
119625-11871	4	23
	18	6
119625-11880	4	24
	18	7
119625-11900	4	25
119632-77920	16	27
119640-01640	3	9
119640-92750	18	36
119660-61901	13	56
119808-12520	5	10
119808-12540	5	11
119810-01200	1	22
119810-01730	3	6
119810-01780	3	17
119810-02800	1	14
119810-02870	1	24
119810-02930	1	17
119810-02940	1	27
119810-11100	4	15
119810-11110	4	16

Parts No.	Fig. No.	Ref. No.
119810-11120	4	17
119810-11240	4	27
119810-13100	6	1
119810-13110	6	2
	18	11
119810-14400	7	2
119810-14580	7	3
119810-23200	8	30
119810-23600	8	31
119810-23610	8	33
119810-23910	8	29
119810-35300	10	19
119810-39200	10	32
119810-42001	11	1
119810-51040	12	6
119810-53000	14	2
119810-55340	15	3
119810-55650	15	8
119810-77340	17	26 -1
119812-11700	4	7
119813-12100	5	2
119813-12110	5	1
	18	10
119813-21000	8	1
119813-22300	8	23
119813-59811	14	25
119813-59812	14	25 -1
119813-59821	14	29
119813-59831	14	33
119818-01330	1	23
	18	2
119818-22080	8	17
119818-22500	8	19
119818-22900	8	35
119818-22950	8	37
119820-77340	17	23
119823-01770	3	8
119823-77330	17	25
119836-34800	10	16
119836-77200	17	1
119836-77201	17	1 -1
119836-77700	17	2
119836-77710	17	4
119836-77721	17	5
119836-77730	17	6
119836-77741	17	7
119836-77750	17	8
119836-77760	17	9
119836-77770	17	10
119836-77780	17	11

Parts No.	Fig. No.	Ref. No.
119836-77790	17	15
119836-77800	17	16
119836-77810	17	19
119836-77820	17	20
119836-77830	17	21
119836-77840	17	17
119836-77850	17	3
119836-77860	17	18
119836-77871	17	12
119836-77880	17	13
119836-77890	17	14
119836-77920	17	21 C
119840-59500	14	38 A
119840-59560	14	39
119840-59570	14	40
119840-59601	15	21
119840-59621	15	24
119859-49010	11	46
119865-11210	4	26
119865-11310	4	47
	18	8
119865-21600	8	16
119865-42290	11	17
119866-12540	5	12
119869-44510	11	31
119869-49020	11	47
119910-12520	5	8
121023-01550	2	29
121111-21501	8	12
121250-44901	11	27
121250-49121	11	51
121250-55620	15	7
121250-59550	14	38
121252-39450	10	36
121256-44600	11	44
121257-55731	15	9
121450-01560	2	2
121450-44531	11	38
121470-44581	11	40
121520-34810	10	17
121850-21680	8	11
121850-51960	2	13
	18	4
122117-51560	12	50
122710-51090	12	10
123682-44210	11	32
124060-11800	4	11
124066-59100	14	37
		37 -1
		38 B

Parts No.	Fig. No.	Ref. No.
124160-01751	2	8
	4	58
124160-01910	1	5
		21
124160-11340	4	20
	18	5
124160-11360	4	51
124160-39140	10	31
124195-77770	16	23
124240-01871	2	9
		26
124240-01883	2	10
		27
	9	6
	18	3
124250-49351	11	29
124298-77020	16	2
124450-44550	11	42
124450-44560	11	39
124465-44950	11	28
	18	21
124550-51350	12	32
124550-51370	12	33
124550-59820	10	37
124550-59830	10	36 A
124550-66370	13	58
124550-77030	16	26
124574-44761	11	20
124701-11911	6	7
	18	20
124736-07900	4	5
124766-59050	14	55
	15	17
		18 B
		19 B
		22
124950-11340	4	21
	18	12
124950-51190	12	17
129001-01250	1	8 -1
129001-32001	10	1
129001-35300	10	27
129001-91840	2	24 -1
129001-91841	2	24 -2
129052-55630	15	14
129052-61050	13	5
129052-61060	13	6
129052-61070	13	7
129052-61390	13	30
129052-61500	13	31

Parts No. Index

Parts No.	Fig. No.	Ref. No.
129052-61540	13	46
129053-55620	15	1
129100-01520	2	1
129100-01580	3	1
		14
	8	2
129100-01590	2	4
129100-25061	7	9
129100-52200	12	94
129100-59951	14	42
129100-61400	13	16
129100-61440	13	75
129100-61650	13	76
129107-55510	15	4
129108-51100	12	11
129114-44740	11	19
129120-77501	5	5
129131-13510	6	8
129131-13530	6	8 -1
129132-44590	11	43
129132-44901	11	45
129136-77100	16	25
129136-77250	17	22
129136-77251	17	22 -1
129150-01580	2	3
129150-01881	9	1
	18	19
129150-02450	7	4
129150-03020	4	42
129150-03070	4	43
129150-03080	4	44
129150-03090	4	1
129150-03100	2	12
129150-11230	4	34
129150-11280	4	32
129150-11750	4	36
129150-14101	7	7
129150-14200	7	1
129150-21200	8	5
129150-25101	7	10
129150-25301	7	19
129150-25900	7	15
129150-25920	7	13
129150-25931	7	20
129150-26000	9	2
129150-26050	9	3
129150-32020	10	14
	18	13
129150-35041	10	18
	18	14

Parts No.	Fig. No.	Ref. No.
129150-35101	10	24
129150-35111	10	25
	18	15
129150-35151	10	26
129150-35350	10	28
129150-42020	11	14
	18	16
129150-42320	11	11
129150-49360	11	30
	18	22
129150-49811	11	25
	18	18
129150-59120	14	51
129150-59131	14	23
		54
129150-59580	14	41
129150-77511	5	6
	18	9
129155-11260	4	30
129155-11270	4	31
129155-49800	11	24
129155-51020	12	5
129155-51050	12	8
129155-51060	12	9
129155-51140	12	14
129155-51180	12	16
129155-51200	12	18
129155-51270	12	25
129155-51280	12	26
	13	2
129155-51320	12	30
129155-51340	12	31
129155-51370	12	34
129155-51380	12	35
129155-51390	12	36
129155-51400	12	37
129155-51410	12	38
129155-51420	12	39
129155-51450	12	40
129155-51500	12	45
129155-51521	12	46
129155-51530	12	47
129155-51540	12	48
129155-51550	12	49
129155-51570	12	52
129155-51580	12	53
129155-51591	12	54
129155-51600	12	55
129155-51700	12	74
129155-51701	12	74 -1

Parts No.	Fig. No.	Ref. No.
129155-51710	12	75
129155-51750	12	76
129155-51751	12	76 -1
129155-51760	12	77
129155-51790	12	78
129155-51930	12	80
129155-51940	12	81
129155-52050	12	93
129155-61120	13	8
129155-61130	13	9
129155-61140	13	10
129155-61201	13	11
129155-61202	13	11 -1
129155-61341	13	15
129155-61350	13	105
129155-61360	13	106
129155-61430	13	19
129155-61450	13	23
129155-61460	13	24
129155-61470	13	80
129155-61480	13	25
129155-61830	13	55
129155-61950	13	57
129156-51910	12	79
129208-51060	12	9 A
129208-54500	12	90 A
129210-59040	15	18 A
129210-59130	14	54 A
	15	19 A
129322-77401	15	25
129350-49530	11	22
129400-92420	18	33
129486-01670	3	18
129486-42050	11	14 -1
	18	16 -1
129505-51300	12	27
129555-59510	15	19
129556-42350	11	18
129612-01600	3	2
129612-77260	17	24 -1
129612-77700	17	21 A
129612-77710	17	21 B
129612-77730	17	21 D
129612-77740	17	21 E
129612-77750	17	21 F
129619-12210	5	16
129698-77010	16	1
129698-77020	16	2 -1
129698-77100	16	3
129698-77110	16	4

Parts No.	Fig. No.	Ref. No.
129698-77120	16	5
129698-77130	16	7
129698-77140	16	6
129698-77150	16	8
129698-77160	16	9
129698-77170	16	10
129698-77180	16	17
129698-77190	16	18
129698-77200	16	19
129698-77210	16	20
129698-77220	16	21
129698-77230	16	22
129698-77240	16	15
129698-77250	16	16
129698-77260	16	11
129698-77270	16	13
129698-77280	16	14
129792-22400	8	24
129795-01800	2	7
129795-01950	2	11
129795-02411	1	20
129795-21661	8	10
129795-49551	11	23
	18	17
158552-61900	13	66 -1
171051-01921	1	6
171056-49351	11	29 -1
171064-44510	11	36
171301-21650	8	9
171325-21590	8	13
171353-61550	13	81
171353-61710	13	77
174307-51170	12	15
174307-51560	12	51
174307-51700	13	32
198072-04320	15	26
22117-040000	13	59
22190-060002	13	60
22190-060003	13	60 -1
22190-080002	2	15
		16
	10	37 A
		39
		39 -1
	18	31
22190-100002	10	38 -1
	13	61
	18	30 -1
22190-120002	13	62
	14	50 -1

Parts No. Index

Parts No.	Fig. No.	Ref. No.
22190-120002	15	18
	18	23
		23 -1
22190-160002	12	90
22190-220002	3	11
22217-050000	12	95
22217-060000	12	82
22217-120000	7	16
	12	90 C
22287-120000	13	63
22351-040010	8	8
22351-050010	12	83
22351-060012	4	53
22372-040000	13	64
22512-070140	7	8
	8	6
23000-060000	5	14
23010-038000	11	48
23065-070225	11	41
23414-100000	10	38
	18	30
23414-120000	14	50
	18	24
23871-010000	1	7
23871-030000	11	12
23876-010000	1	7 -1
23876-030000	11	12 -1
23887-100002	13	65
24101-063034	12	84
24105-060064	9	5
24311-000120	4	52
	18	25
24311-000160	2	17
	10	29
	11	52
	18	26
24311-000320	2	18
	4	59
	18	27
24311-240100	15	11
24341-000160	12	85
24341-000240	2	30
	18	28
24341-000280	13	66
24341-000500	4	49
	18	29
26013-080222	5	15
26014-060302	11	21
26014-080252	17	26
26014-080752	15	12

Parts No.	Fig. No.	Ref. No.
26022-050102	12	86
26022-050122	12	86 -1
26022-060162	12	87
26106-060102	13	67
		68
		69
26106-060122	2	14
26106-060142	13	70
26106-060162	2	14 -1
26106-060202	13	71
26106-080122	2	19
		28
26106-080142	4	6
	7	18
26106-080162	2	20
		21
	3	12
	4	50
26106-080202	10	30
	11	26
26106-080222	11	26 -1
26106-080252	4	38
	5	4
26106-080352	3	19
	5	7
	10	23
	11	15
26106-080452	2	22
	3	13
	7	14
26106-080502	4	39
26106-080552	2	23
	11	16
26106-080602	6	5
26106-080852	2	24
26106-080952	9	8
26116-050302	12	88
26116-120252	16	24
26206-100252	3	4
26206-100302	3	5
26216-060302	4	13
26216-080402	9	9
26216-080602	6	6
26226-080182	4	37
26366-060002	4	54
26366-080002	2	25
	6	3
	9	7
	13	74
	17	24

Parts No.	Fig. No.	Ref. No.
26450-060252	10	15
26687-120002	13	79
26716-060002	12	89
26716-120002	7	17
	12	90 D
26756-060002	13	72
26776-120002	13	73
27231-500000	1	8
27241-120000	1	9
27241-300000	1	10
27241-400000	4	14
27310-070001	4	19
28110-100120	18	37
28110-140170	18	38
719810-01650	3	15
719810-11520	4	40
719810-11521	4	40 -1
719810-11660	4	33
719810-23100	8	25
719810-53100	14	1
719818-92610	18	1
719818-92611	18	1 -1
719822-01560	1	1
719910-51450	12	1 A
719911-51380	12	1
721521-49100	11	49
977770-01212	2	31
	3	20
	18	34
X2114535200	16	12

Parts No.	Fig. No.	Ref. No.
-----------	----------	----------