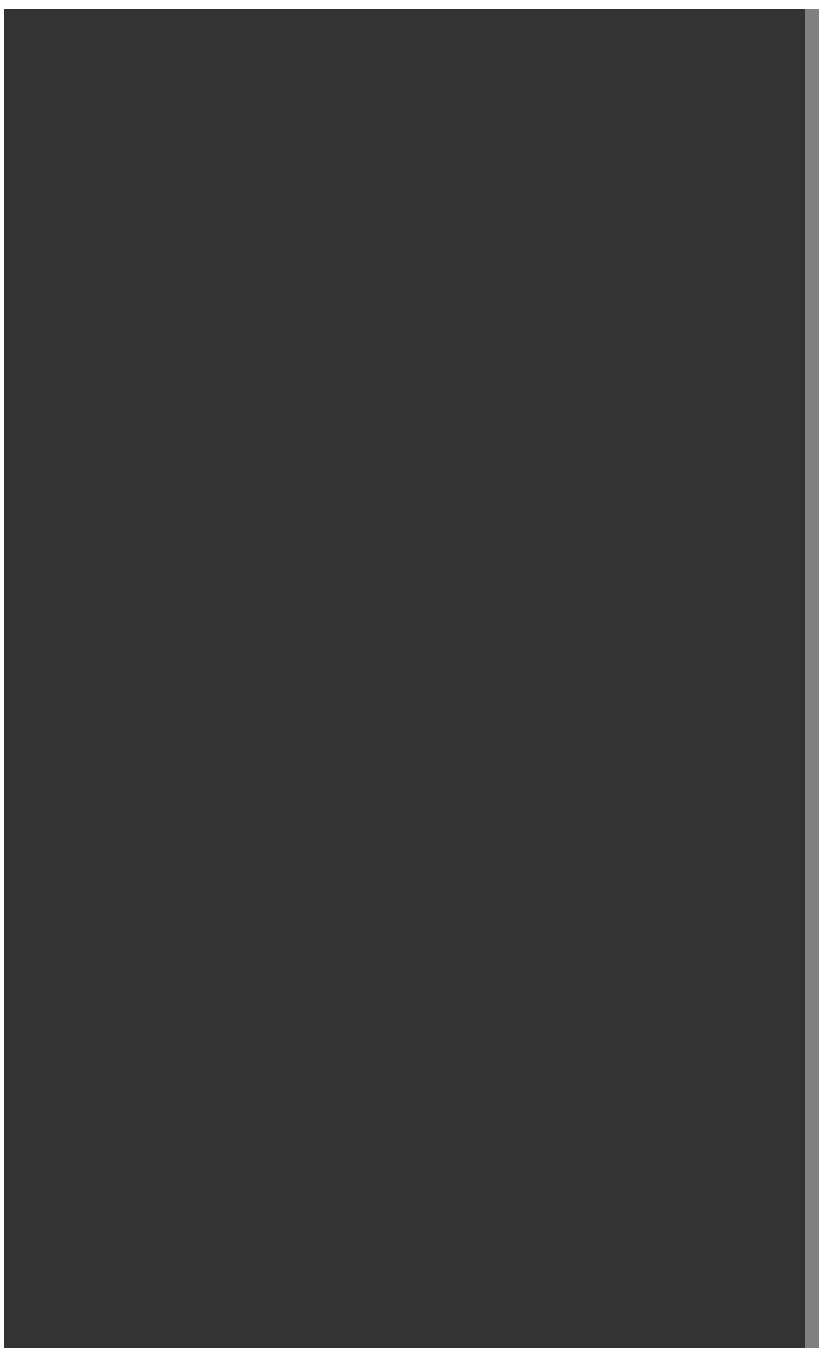


OCD10-M63700EN



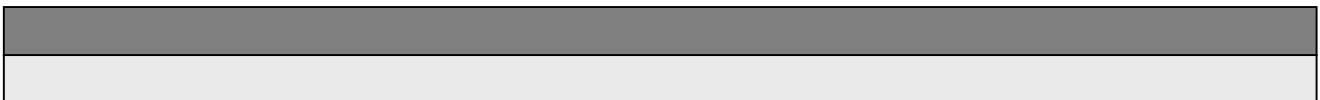
PREFACE

1. This Parts Catalog is the 1st edition of 3TNE74-FC Diesel Engine for FURUKAWA KIKAI.

Pub. No. : 000Y00D6370
Published : November, 1997

2. Model name

Engine model	Vehicle		Vehicle made by
	Products	Model name	
3TNE74-FC	CRAWLER CRANE	—	FURUKAWA KIKAI



Directions for the Parts Catalog.

1. This Parts Catalog shows both standard and optional parts.
2. Parts may change without prior notice.
3. The following is an example of the Parts Catalog format.

REF.	LEV.	PARTS NO.	DESCRIPTION	Q'TY						I	R
				(A)	(B)	(C)	(D)	(E)	(F)		
1	1	729595-51390	FUEL INJECTION PUMP	1	1	1	1	1			1
1-1	1	729595-51391	FUEL INJECTION PUMP	1	1	1	1	1		N	1
		(A=E00185) (B=E00200)									
3	2	26022-060162	SCREW M 6X 16	9	9	9	9	9			
3-1	2	26022-060162	SCREW M 6X 16	4	4	4	4	4		K	
		(A=E00156) (B=E00156) (C=E00156) (D=E00156) (E=E00156)									
4	2	129470-51040	CAMSHAFT	1	1	1	1	1			
5	2	122710-51050	BEARING, ROLLER	2	2	2	2	2			
6	2	129470-51060	RETAINER	1	1	1	1	1			

Remarks
(1) BOOST COMPEMSATOR TYPE. OPTIONAL PART, TO E00155,(4JH-DT, 4JH-DTZ

① Ref. No.

The Ref. No. listed may not be in accordance with the illustration Ref. No.

(Ex.) Illustration No.

List Ref No.

1

1

(Before change)

1-1

(After change)

For interchangeable symbols N, R and K, illustrations for new parts may be abbreviated.

② Lev. (Level)

Level indication

The numbers below indicate the level of relativity towards the main part.

1 ----- Main parts (Assembly parts)

2 ----- Sub component included in " 1 ".

3 ----- Sub component included in " 2 ".

Note) Parts that are not for sale are partially illustrated but not listed.

③ Interchangeability Symbol

When a part change takes place, one of the following interchangeability symbols is indicated beside the part.

Symbol	Interchangeability	Contents note
N	Old $\begin{matrix} \leftarrow \text{Yes} \\ \text{No} \rightarrow \end{matrix}$ New	New Part is interchangeable for Old Part but Old Part is not interchangeable for New Part.
Q	Old $\begin{matrix} \leftarrow \text{No} \\ \text{Yes} \rightarrow \end{matrix}$ New	New Part is not interchangeable for Old Part but Old Part is interchangeable for New Part.
R	Old $\begin{matrix} \leftarrow \text{Yes} \\ \text{Yes} \rightarrow \end{matrix}$ New	New/ Old Parts are both interchangeable.
S	Old $\begin{matrix} \leftarrow \text{No} \\ \text{No} \rightarrow \end{matrix}$ New	New/ Old Parts are both not interchangeable.
W		Part newly added.
Z		Part discontinued.
F		Not interchangeable by a single part but interchangeable together with related parts.
K		Changes only for used parts quantities.

④ Effective Machine No.

When a part changes, the effective Machine No. will be indicated in the (A)-(F) column.

Product Symbol	Product No.	Product Symbol	Product No.
C	Clutch No. Compressor No.	F	Machine No. (Agricultural Equip.)
D	Drive No.	M	Machine No.
E	Engine No.		

Note 1) A date may follow the symbol. (Ex.) 1996.01

Note 2) "XXXXX" and "ZZZZZ" are for parts that could not be predicted or for engine models that could not be identified.

Note 3) (A=E00185) is the E (Engine Serial Number) for the column (A) model (in this case 4JH-DT) after the parts design change.

⑤ Remarks

Figures or alphabets (symbols) are entered in the remarks column.

The comments (remarks) on parts that are indicated at the bottom of the illustration are the same symbols as those stated above.

Contents

OCD10-M63700

Fig. No. Fig. Name

3TNE74-FC

1. CYLINDER BLOCK
2. GEAR HOUSING
3. FLYWHEEL HOUSING & OIL SUMP
4. CYLINDER HEAD & BONNET
5. SUCTION MANIFOLD & AIR CLEANER
6. EXHAUST MANIFOLD & SILENCER
7. CAMSHAFT & DRIVING GEAR
8. CRANKSHAFT & PISTON
9. LUB.OIL SYSTEM
10. COOLING WATER SYSTEM
11. FUEL INJECTION PUMP
12. GOVERNOR
13. FUEL INJECTION VALVE
14. FUEL LINE
15. STARTING MOTOR
16. GENERATOR
17. GASKET SET

Fig. No. Fig. Name

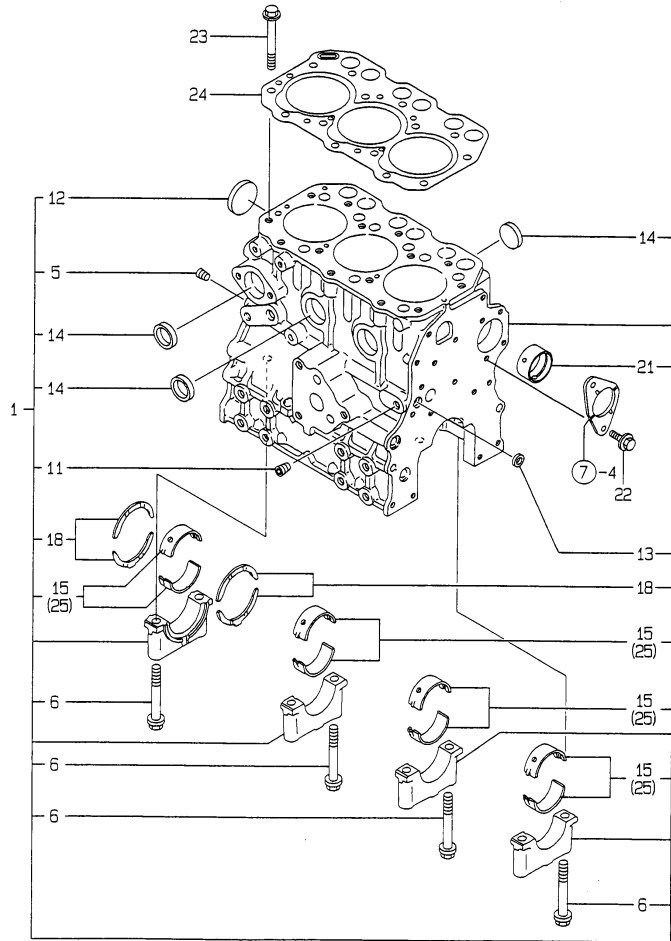
Fig.1. CYLINDER BLOCK

(A)=3TNE74-FC
(B)=
(C)=

(D)=
(E)=
(F)=

Y00D6370
3TNE74-FC

↑ シリンダブロック
↑ CYLINDER BLOCK



No.	Lev.	Parts No.	Description	Q'ty						I	R
				(A)	(B)	(C)	(D)	(E)	(F)		
1	1	719623-01560	BLOCK ASSY, CYLINDER	1							
5	2	119600-01050	PLUG, PT1/4	1							
6	2	119620-02020	BOLT, METAL CAP	8							
11	2	23871-010000	PLUG, R01	1							
12	2	27231-450000	PLUG 45	1							
13	2	27241-120000	PLUG, 12	1							
14	2	27241-300000	PLUG 30	6							
15	2	719620-02800	BEARING, MAIN	4							
18	2	719620-02930	BEARING, THRUST	2							
21	2	119620-02410	BUSH, CAMSHAFT	1							
22	1	26106-060122	BOLT, M6X 12 PLATED	2							
23	1	119620-01200	BOLT, HEAD	14							
24	1	119623-01330	GASKET, HEAD	1							
25	1	719620-02870	BEARING, 0.25 US	4							1

Remarks

(1) UNDER-SIZE (U.S.=0.25) PART.

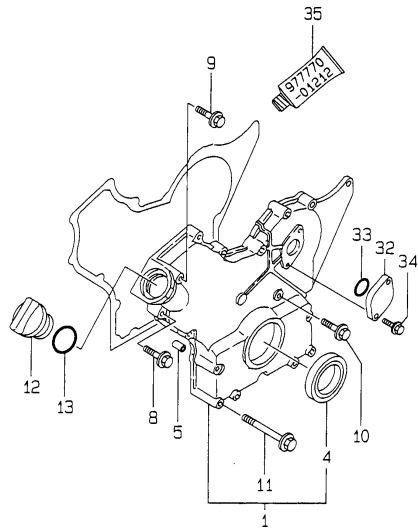
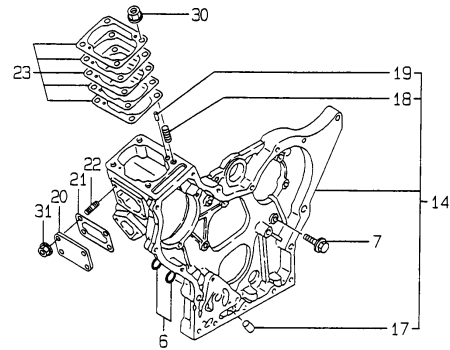
Fig.2. GEAR HOUSING

(A)=3TNE74-FC
(B)=
(C)=

(D)=
(E)=
(F)=

Y00D6370
3TNE74-FC

ギヤケース
GEAR HOUSING



No.	Lev.	Parts No.	Description	Q'ty						I	R	
				(A)	(B)	(C)	(D)	(E)	(F)			
1	1	119610-01590	COVER ASSY, GEAR CASE	1								
4	2	119620-01800	SEAL, OIL	1								
5	1	119660-01911	PIPE, KNOCK	4								
6	1	24311-000120	O-RING, 1AP12.0	2								
7	1	26106-060162	BOLT, M6X 16 PLATED	7								
8	1	26106-060302	BOLT, M6X 30 PLATED	8								
9	1	26106-060602	BOLT, M6X 60 PLATED	1								
10	1	26106-060602	BOLT, M6X 60 PLATED	3								
11	1	26106-060802	BOLT, M6X 80 PLATED	6								
12	1	124160-01751	COVER, FILLER	1								
13	1	24311-000320	O-RING, 1AP32.0	1								
14	1	119610-01490	CASE ASSY, GEAR	1								
17	2	119660-01510	PLUG, 10X14	1								
18	2	121450-01560	STUD, M8X22	4								
19	2	22351-040010	PIN, SPRING 4.0X10	2								
20	1	119660-01551	COVER	1								
21	1	119660-01562	GASKET	1								
22	1	119660-01570	STUD, M6X12	4								
23	1	119623-01950	SHIM SET, ADJUSTING	1								
30	1	194990-22050	NUT, M8	4								
31	1	26366-060002	NUT, M6	4								
32	1	121023-01550	COVER	1								
33	1	24341-000240	O-RING, 1AS24.0	1								
34	1	26106-060182	BOLT, M6X 18 PLATED	2								
35	1	977770-01212	GASKET, LIQUID	1								1

Remarks
(1) OPTIONAL PART.

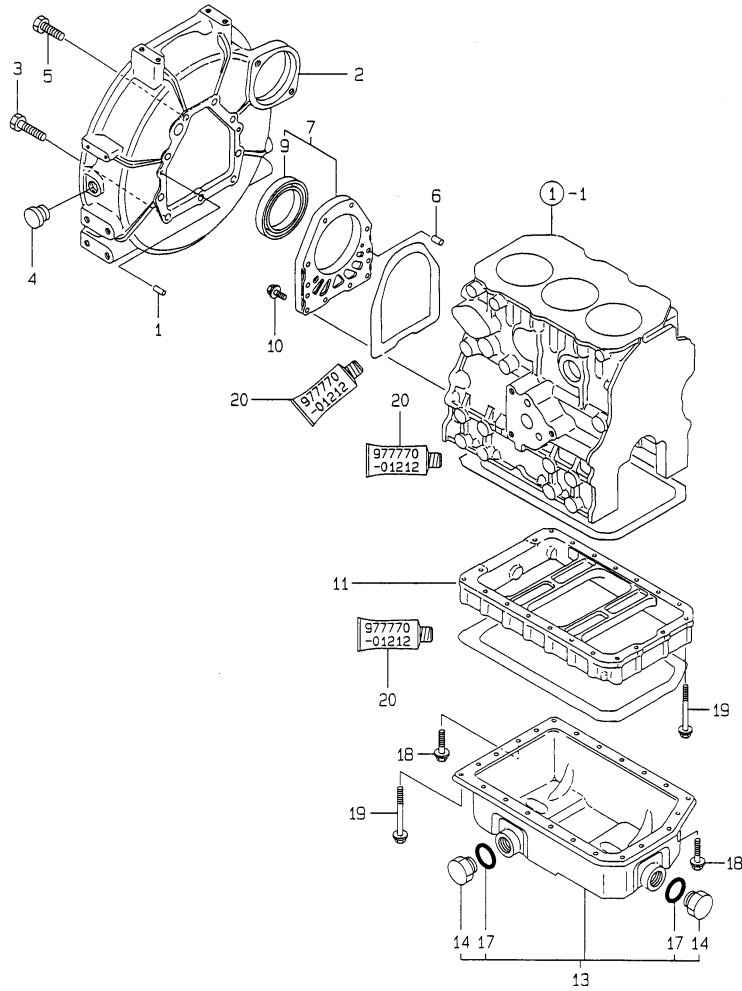
Fig.3. FLYWHEEL HOUSING & OIL SUMP

(A)=3TNE74-FC
(B)=
(C)=

(D)=
(E)=
(F)=

Y00D6370
3TNE74-FC

3 フライホイールハウジング & オイルパン
FLYWHEEL HOUSING & OIL SUMP



No.	Lev.	Parts No.	Description	Q'ty						I	R
				(A)	(B)	(C)	(D)	(E)	(F)		
1	1	129100-01580	PIN, M8X16	2							
2	1	119600-01600	HOUSING, FLYWHEEL	1							
3	1	121120-01620	BOLT, M10X28	3							
4	1	119620-01750	CAP	1							
5	1	26206-100252	BOLT, M10X 25 PLATED	6							
6	1	119620-01620	PIN, M6X10	2							
7	1	119660-01640	CASE ASSY, OIL SEAL	1							
9	2	124085-02220	SEAL, OIL	1							
10	1	26106-060222	BOLT, M6X 22 PLATED	10							
11	1	119600-01722	SPACER, OIL SUMP	1							
13	1	119600-01770	SUMP ASSY, OIL	1							
14	2	171301-01640	PLUG, 22	2							
17	2	24341-000250	O-RING, 1AS25.0	2							
18	1	26106-060122	BOLT, M6X 12 PLATED	3							
19	1	26106-060452	BOLT, M6X 45 PLATED	20							
20	1	977770-01212	GASKET, LIQUID	1							1

Remarks
(1) OPTIONAL PART.

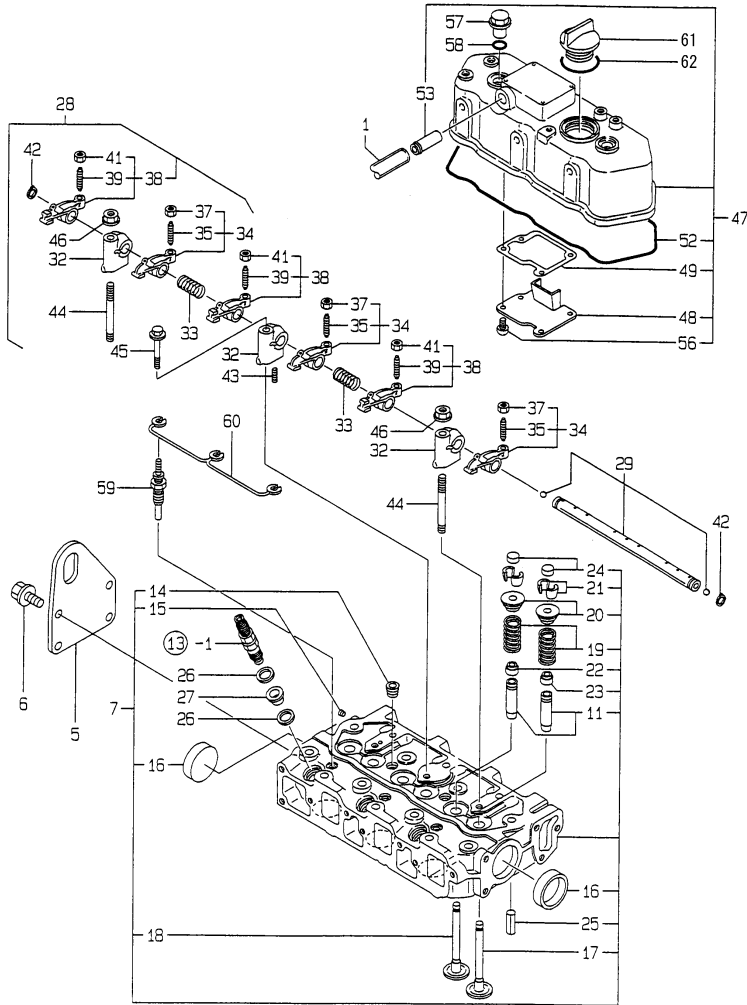
Fig.4. CYLINDER HEAD & BONNET

(A)=3TNE74-FC
(B)=
(C)=

(D)=
(E)=
(F)=

Y00D6370
3TNE74-FC

4 シリンダヘッド & ボンネット
CYLINDER HEAD & BONNET



No.	Lev.	Parts No.	Description	Q'ty						I	R
				(A)	(B)	(C)	(D)	(E)	(F)		
1	1	23065-120500	PIPE, 12X 500	1							
5	1	119632-07900	LIFTER	1							
6	1	26106-060122	BOLT, M6X 12 PLATED	4							
7	1	719623-11700	HEAD ASSY, CYLINDER	1							
11	2	119620-11801	GUIDE, VALVE	6							1
14	2	23871-020000	PLUG, R02	2							
15	2	27221-050080	PLUG, 5X 8	1							
16	2	27241-400000	PLUG, 40	2							
17	2	119623-11100	VALVE, INTAKE	3							
18	2	119620-11110	VALVE, EXHAUST	3							
19	2	119620-11120	SPRING, VALVE	6							
20	2	119620-11180	RETAINER, SPRING	6							
21	2	27310-070001	COTTER, 7	6							
22	2	124160-11340	SEAL, VALVE STEM	3							
23	2	124950-11340	SEAL, VALVE STEM	3							
24	2	104211-11370	CAP, VALVE	6							
25	2	22351-060012	PIN, SPRING 6.0X12	2							
26	1	119600-11460	GASKET, NOZZLE	6							
27	1	119600-11450	PROTECTOR, NOZZLE	3							
28	1	119620-11200	SUPPORT ASSY, ARM	1							
29	2	119620-11240	SHAFT ASSY, ROCKER	1							
32	2	119620-11260	SUPPORT, ROCKER ARM	3							
33	2	119620-11280	SPRING	2							
34	2	719620-11650	ARM ASSY, ROCKER	3							
35	3	105010-11230	SCREW, VALVE ADJUST	3							
37	3	26756-060002	NUT, LOCK M6	3							
38	2	719620-11660	ARM ASSY, ROCKER	3							
39	3	105010-11230	SCREW, VALVE ADJUST	3							
41	3	26756-060002	NUT, LOCK M6	3							
42	2	22242-000120	RING, 12	2							
43	2	26979-050162	SCREW, M5X16	1							
44	1	119620-11350	STUD	2							
45	1	26106-080452	BOLT, M8X 45 PLATED	1							
46	1	26366-080002	NUT, M8	2							
47	1	119620-11330	BONNET ASSY, HEAD	1							
48	2	119620-03020	PLATE, SHELTER	1							
49	2	119620-03031	GASKET	1							
52	2	119620-11310	GASKET, BONNET	1							
53	2	119620-11390	JOINT	1							
56	2	22857-500100	SCREW, 5X10	4							
57	1	124160-11360	KNOB	2							
58	1	24311-000120	O-RING, 1AP12.0	2							
59	1	129795-77800	PLUG, GLOW	3							
60	1	119620-77820	CONNECTOR, GLOW PLUG	1							
61	1	124160-01751	COVER, FILLER	1							
62	1	24311-000320	O-RING, 1AP32.0	1							

Remarks
(1) REPAIR PART.

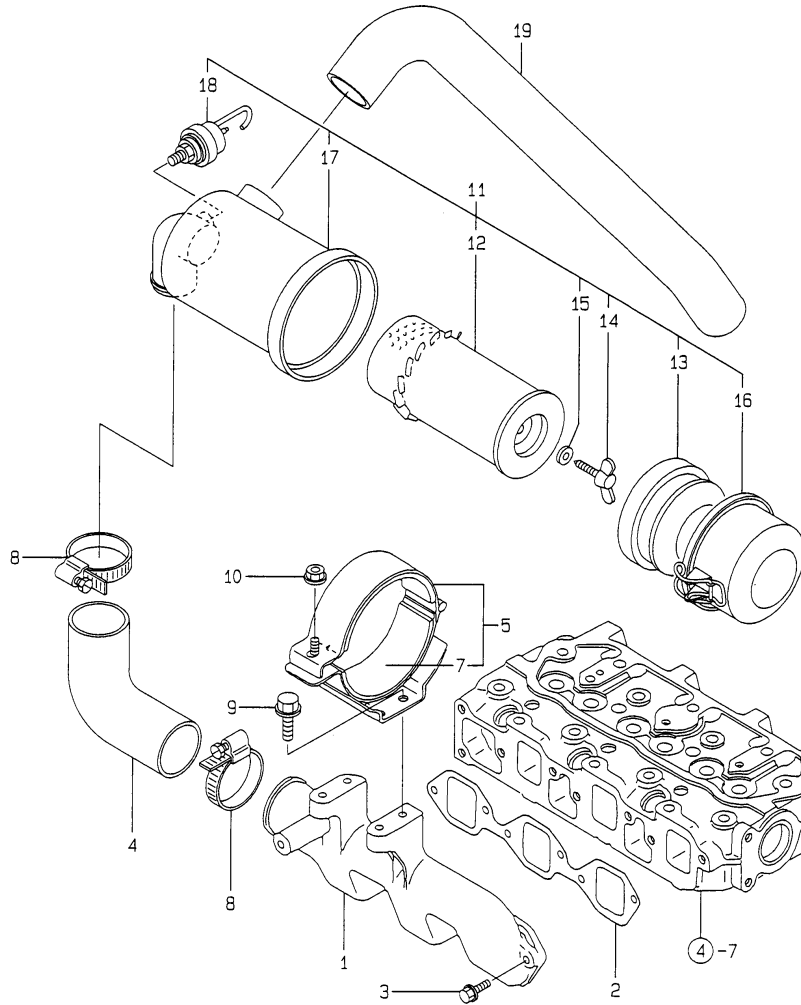
Fig.5. SUCTION MANIFOLD & AIR CLEANER

(A)=3TNE74-FC
(B)=
(C)=

(D)=
(E)=
(F)=

Y00D6370
3TNE74-FC

5 キュウキマニホールド & エアクリーナ
SUCTION MANIFOLD & AIR CLEANER



No.	Lev.	Parts No.	Description	Q'ty						I	R
				(A)	(B)	(C)	(D)	(E)	(F)		
1	1	119645-12100	MANIFOLD, AIR INTAKE	1							
2	1	119620-12111	GASKET, MANIFOLD	1							
3	1	26106-060202	BOLT, M6X 20 PLATED	6							
4	1	119632-12551	PIPE, AIR INTAKE	1							
5	1	119632-12590	SUPPORT ASSY,CLEANER	1							
7	2	119640-12580	SEAT, RUBBER	2							
8	1	23000-060000	CLAMP, 60	2							
9	1	26014-080202	BOLT, M8X 20	4							
10	1	26366-080002	NUT, M8	1							
11	1	119632-12520	CLEANER ASSY, AIR	1							
12	2	121465-12510	ELEMENT	1							
13	2	121024-12660	PAN ASSY, DUST	1							
14	2	124064-12680	BOLT	1							
15	2	124064-12690	WASHER	1							
16	2	121465-12700	RETAINER, ELEMENT	1							
17	2	119632-12530	BODY, AIR CLEANER	1							
18	2	121262-12800	INDICATOR	1							
19	1	119632-12211	PIPE, AIR INTAKE	1							

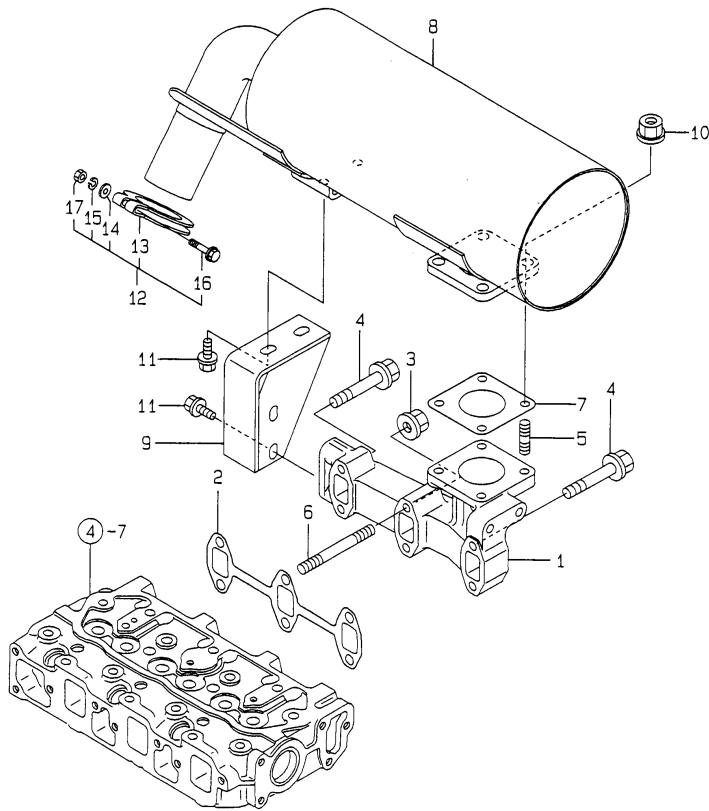
Fig.6. EXHAUST MANIFOLD & SILENCER

(A)=3TNE74-FC
(B)=
(C)=

(D)=
(E)=
(F)=

Y00D6370
3TNE74-FC

6 ハイキマニホールド & サイレンサ
EXHAUST MANIFOLD & SILENCER



No.	Lev.	Parts No.	Description	Q'ty						I	R
				(A)	(B)	(C)	(D)	(E)	(F)		
1	1	119631-13101	MANIFOLD, EXHAUST	1							
2	1	119620-13110	GASKET	1							
3	1	194990-22050	NUT, M8	2							
4	1	26106-080402	BOLT, M8X 40 PLATED	4							
5	1	26216-080222	STUD, M8X 22	4							
6	1	26216-080552	STUD, M8X 55	2							
7	1	124701-11911	GASKET, SILENCER	1							
8	1	119632-13511	SILENCER	1							
9	1	119631-13650	STAY, SILENCER	1							
10	1	194990-22050	NUT, M8	4							
11	1	26014-080202	BOLT, M8X 20	4							
12	1	121120-13590	CLAMP	1							
13	2	121120-13580	CLAMP	1							
14	2	22137-100000	WASHER, 10	1							
15	2	22217-100000	WASHER, SPRING 10	1							
16	2	26106-100652	BOLT, M10X 65 PLATED	1							
17	2	26706-100002	NUT, M10	1							

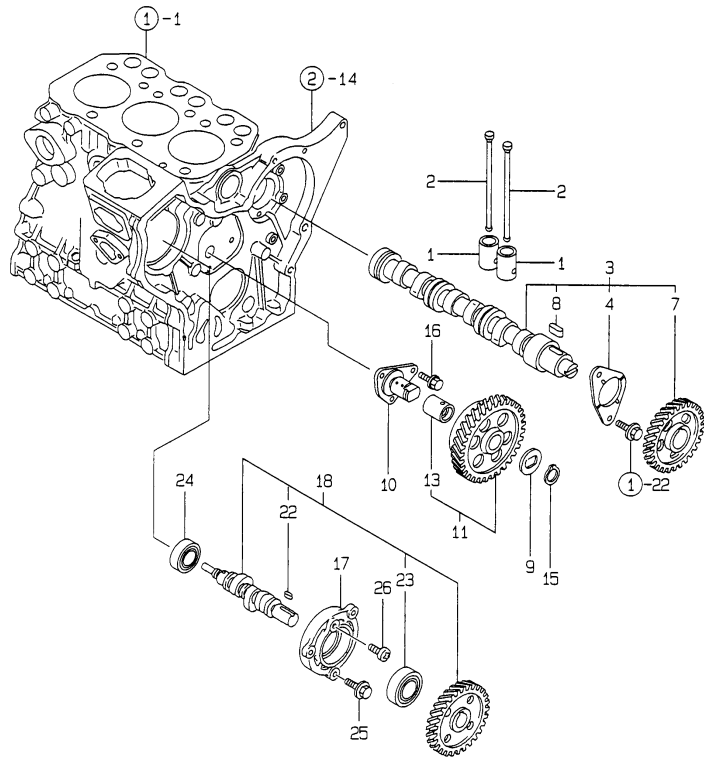
Fig.7. CAMSHAFT & DRIVING GEAR

(A)=3TNE74-FC
(B)=
(C)=

(D)=
(E)=
(F)=

Y00D6370
3TNE74-FC

7 カムシャフト & クドウギヤ
CAMSHAFT & DRIVING GEAR



No.	Lev.	Parts No.	Description	Q'ty						I	R
				(A)	(B)	(C)	(D)	(E)	(F)		
1	1	119620-14200	TAPPET	6							
2	1	119620-14401	ROD, PUSH	6							
3	1	119629-14580	CAMSHAFT ASSY	1							
4	2	119620-02450	BEARING, THRUST	1							
7	2	119620-14100	GEAR, CAMSHAFT	1							
8	2	22512-040120	KEY, 4X 12	1							
9	1	119660-25022	RETAINER	1							
10	1	119660-25052	SHAFT, IDLE	1							
11	1	119620-25102	GEAR ASSY, IDLE	1							
13	2	119620-25912	BUSH	1							1
15	1	22242-000200	RING, 20	1							
16	1	26106-060122	BOLT, M6X 12 PLATED	3							
17	1	119660-01821	BEARING, FUEL CAM	1							
18	1	719660-14590	CAMSHAFT	1							
22	2	22512-040120	KEY, 4X 12	1							
23	2	24102-063034	BEARING, BALL 6303U	1							
24	1	24101-062034	BEARING, BALL 6203	1							
25	1	26106-060162	BOLT, M6X 16 PLATED	3							
26	1	26587-080102	SCREW, M8X10	1							

Remarks

(1) REPAIR PART.

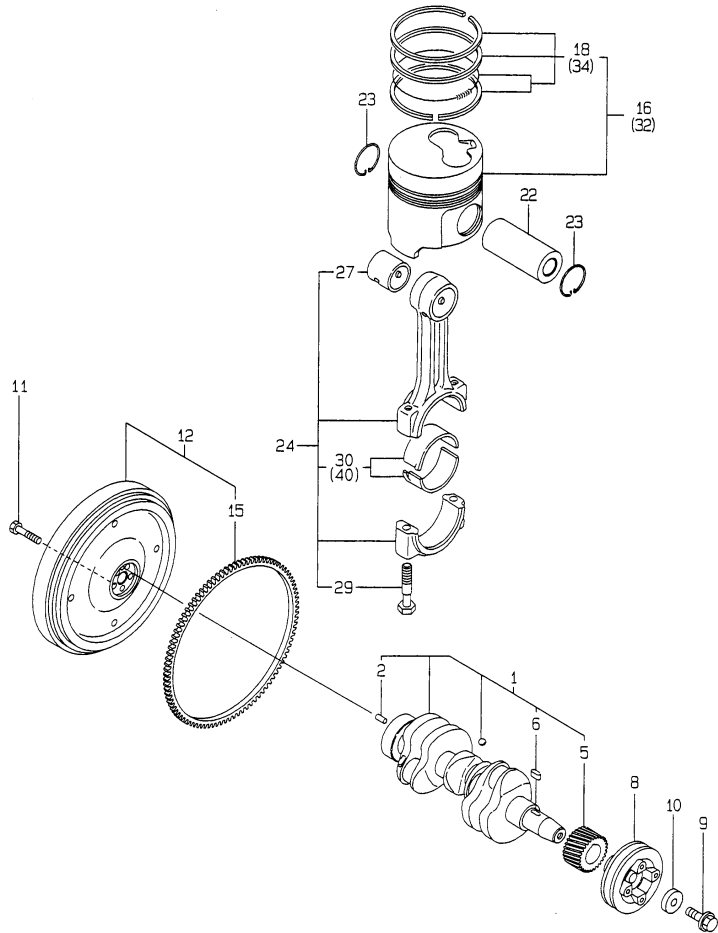
Fig.8. CRANKSHAFT & PISTON

(A)=3TNE74-FC
(B)=
(C)=

(D)=
(E)=
(F)=

Y00D6370
3TNE74-FC

クランクシャフト & ピストン
CRANKSHAFT & PISTON



No.	Lev.	Parts No.	Description	Q'ty						I	R
				(A)	(B)	(C)	(D)	(E)	(F)		
1	1	119623-21700	CRANKSHAFT ASSY	1							
2	2	129100-01580	PIN, M8X16	1							
5	2	119644-21200	GEAR, CRANKSHAFT	1							
6	2	22512-040120	KEY, 4X 12	1							
8	1	119660-21651	V-PULLEY	1							
9	1	119621-21680	BOLT, FLANGE 12X1.25	1							
10	1	119620-21941	WASHER	1							
11	1	121111-21501	BOLT, FLYWHEEL	5							
12	1	119640-21590	FLYWHEEL ASSY	1							
15	2	119865-21600	GEAR, RING	1							
16	1	119623-22080	PISTON ASSY	3							
18	2	119623-22500	RING SET, PISTON	3							
22	1	114350-22301	PIN, PISTON D=21	3							
23	1	22252-000210	RING, 21	6							
24	1	719620-23100	ROD ASSY, CONNECTING	3							
27	2	119620-23910	BEARING, PISTON PIN	3							1
29	2	105225-23200	BOLT, CONNECTING ROD	6							
30	2	719620-23600	BEARING, CRANK PIN	3							
32	1	119623-22900	PISTON ASSY, 0.25 OS	3							2
34	2	119623-22950	RING SET, 0.25 OS	3							2
40	1	719620-23610	BEARING ASSY, 0.25	3							3

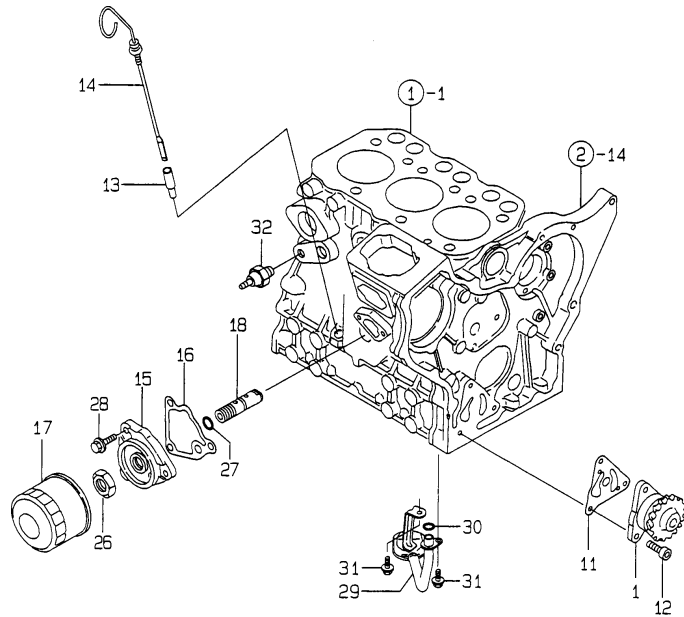
Remarks

- (1) REPAIR PART.
- (2) OVER-SIZE(O.S=0.25)PART.
- (3) UNDER-SIZE(U.S=0.25)PART.

Fig.9. LUB.OIL SYSTEM

Y0006370
3TNE74-FC

9 LOシステム
LUB.OIL SYSTEM



(A)=3TNE74-FC
(B)=
(C)=

(D)=
(E)=
(F)=

No.	Lev.	Parts No.	Description	Q'ty						I	R
				(A)	(B)	(C)	(D)	(E)	(F)		
1	1	119660-32001	PUMP ASSY, OIL	1							
11	1	119660-32020	GASKET, PUMP	1							
12	1	26450-060202	BOLT, M6X 20	3							
13	1	121520-34810	GUIDE, DIPSTICK	1							
14	1	119623-34820	DIPSTICK, OIL	1							
15	1	119660-35102	BRACKET, FILTER	1							
16	1	119660-35113	GASKET	1							
17	1	119305-35150	FILTER, OIL	1							
18	1	119660-35300	VALVE ASSY, CONTROL	1							
26	1	129150-35350	NUT	1							
27	1	24311-000160	O-RING, 1AP16.0	1							
28	1	26106-080202	BOLT, M8X 20 PLATED	3							
29	1	119600-35091	PIPE ASSY, OIL INLET	1							
30	1	119209-35030	O-RING, P11	1							
31	1	26106-060102	BOLT, M6X 10 PLATED	2							
32	1	124160-39450	SWITCH, 0.5KG	1							

Fig.10. COOLING WATER SYSTEM

(A)=3TNE74-FC

(B)=

(C)=

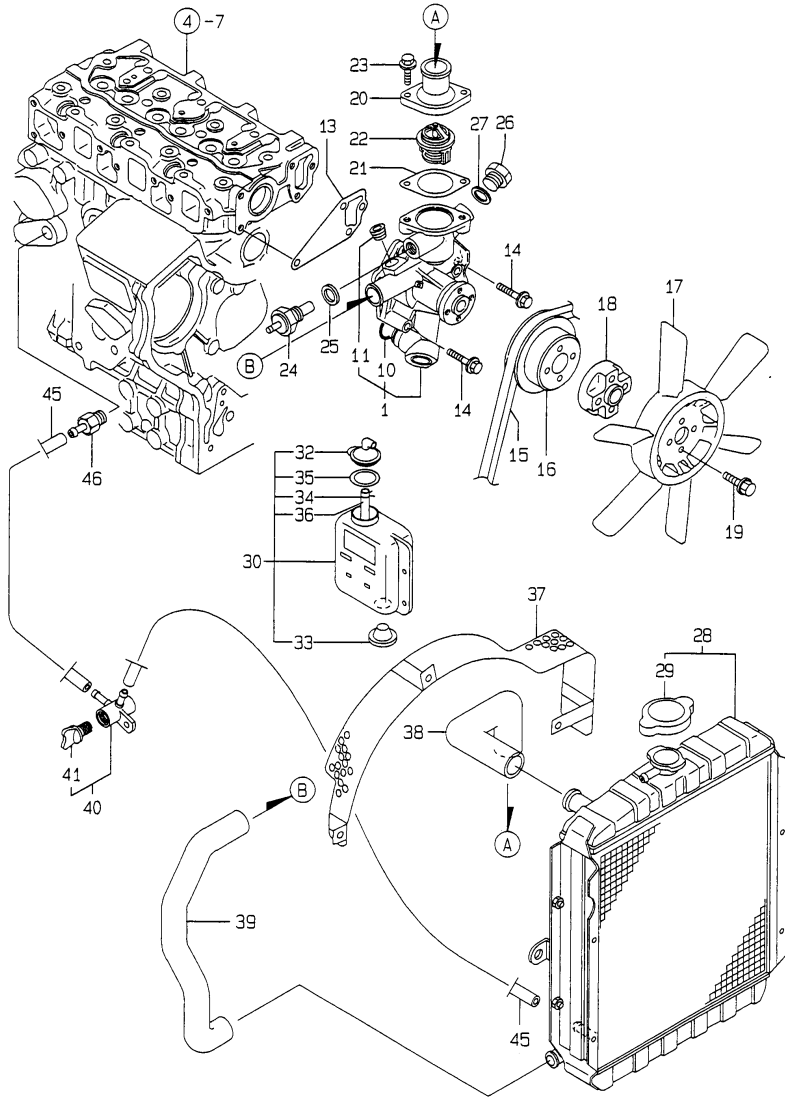
(D)=

(E)=

(F)=

Y00D6370
3TNE74-FC

10 C.W.システム
COOLING WATER SYSTEM



No.	Lev.	Parts No.	Description	Q'ty						I	R
				(A)	(B)	(C)	(D)	(E)	(F)		
1	1	119660-42005	PUMP ASSY, WATER	1							
10	2	119620-42320	O-RING	1							
11	2	23871-030000	PLUG, R03	1							
13	1	119620-42020	GASKET, WATER PUMP	1							
14	1	26106-080452	BOLT, M8X 45 PLATED	4							
15	1	119640-42290	V-BELT, FM36.5	1							
16	1	119642-42350	V-PULLEY, D=97	1							
17	1	124251-44740	PLATE	1							
18	1	171353-44760	SPACER, FAN	1							
19	1	26014-060352	BOLT, M6X 35	4							
20	1	129350-49530	COVER, THERMOSTAT	1							
21	1	129350-49541	GASKET	1							
22	1	129350-49800	THERMOSTAT, 71	1							
23	1	26106-080202	BOLT, M8X 20 PLATED	2							
24	1	121250-44901	SWITCH, 110	1							
25	1	124465-44950	GASKET, 16	1							
26	1	121450-42450	PLUG, M16	1							
27	1	124465-44950	GASKET, 16	1							
28	1	119600-44500	RADIATOR	1							
29	2	124450-44590	CAP, RADIATOR	1							
30	1	121468-44510	SUB-TANK ASSY	1							
32	2	121450-44531	CAP	1							
33	2	121468-44540	PLUG, SUB-TANK	1							
34	2	124450-44560	RETAINER	1							
35	2	121470-44581	GASKET	1							
36	2	23065-070130	PIPE, 7X 130	1							
37	1	171301-44560	PROTECTOR, FAN	1							
38	1	119645-49010	PIPE, WATER	1							
39	1	119645-49020	PIPE, WATER	1							
40	1	129150-49100	COCK ASSY, 3-WAY	1							
41	2	129150-49080	COCK, DRAIN	1							
45	1	121137-59080	PIPE, FUEL D12X1150	1							
46	1	121550-49111	JOINT, PT1/4	1							

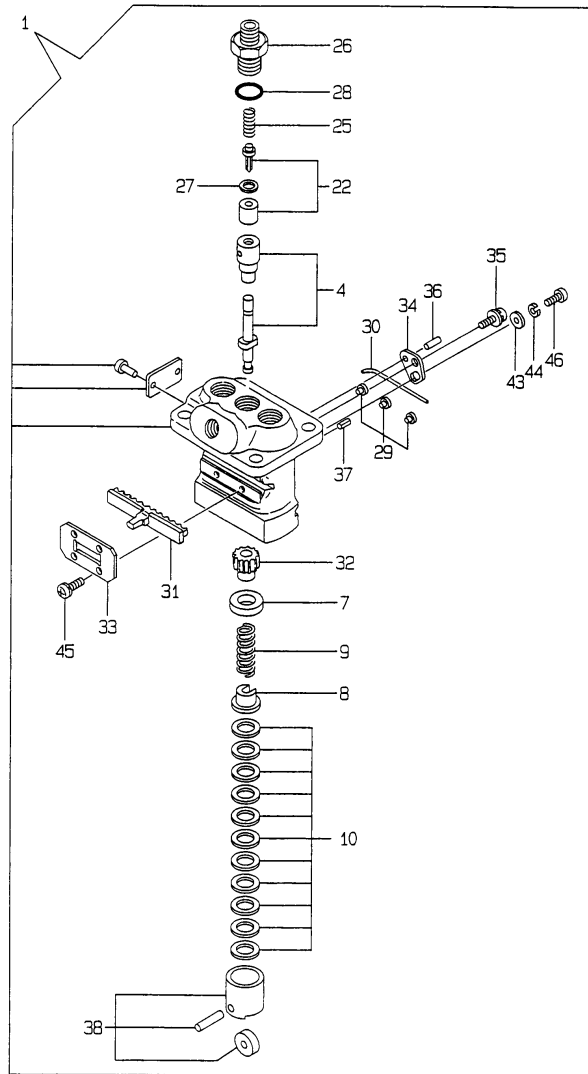
Fig.11. FUEL INJECTION PUMP

(A)=3TNE74-FC
(B)=
(C)=

(D)=
(E)=
(F)=

Y00D6370
3TNE74-FC

1 1 FOファンシャポンプ
FUEL INJECTION PUMP



No.	Lev.	Parts No.	Description	Q'ty						I	R
				(A)	(B)	(C)	(D)	(E)	(F)		
1	1	719621-51100	PUMP ASSY, INJECTION	1							
4	2	119620-51101	PLUNGER ASSY	3							
7	2	119620-51170	RETAINER, SPRING A	3							
8	2	119620-51180	RETAINER, SPRING B	3							
9	2	119620-51190	SPRING, PLUNGER	3							
10	2	119620-51250	SHIM SET	3							
22	2	119620-51300	VALVE ASSY, DELIVERY	3							
25	2	105546-51330	SPRING, DELIVERY	3							
26	2	119620-51340	HOLDER, DELIVERY	3							
27	2	119620-51350	GASKET	3							
28	2	119620-51370	O-RING	3							
29	2	119620-51450	PIECE	3							
30	2	119620-51461	PIN	1							
31	2	119660-51500	RACK, CONTROL	1							
32	2	119620-51510	PINION	3							
33	2	119660-51530	RETAINER, RACK	1							
34	2	119620-51650	PLATE	2							
35	2	119620-51660	SCREW	2							
36	2	119620-51670	PIN	2							
37	2	119620-51680	PIN	1							
38	2	119620-51700	TAPPET ASSY	3							
43	2	22137-040000	WASHER, 4	2							
44	2	22217-040000	WASHER, SPRING 4	2							
45	2	26022-040082	SCREW, M4X 8	4							
46	2	26587-040102	SCREW, M4X10	2							

Fig.12. GOVERNOR

(A)=3TNE74-FC

(B)=

(C)=

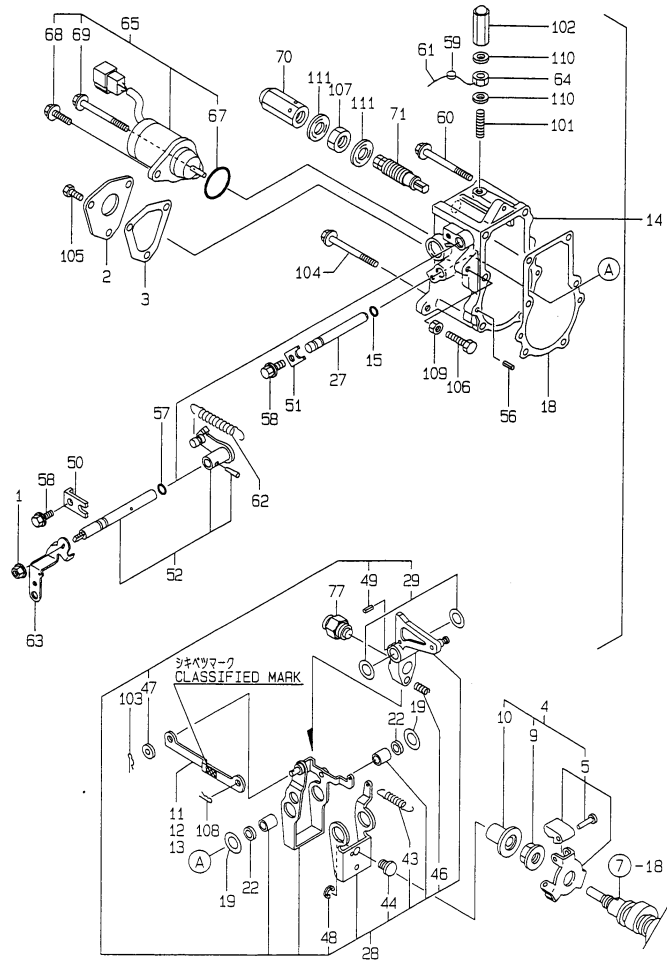
(D)=

(E)=

(F)=

Y006370
3TNE74-FC

12 governor
GOVERNOR



No.	Lev.	Parts No.	Description	Q'ty						I	R
				(A)	(B)	(C)	(D)	(E)	(F)		
1	1	194990-22050	NUT, M8	1							
2	1	119660-61060	COVER, GOVERNOR CASE	1							
3	1	119660-61071	GASKET	1							
4	1	119600-61100	DRIVE ASSY	1							
5	2	119600-61200	WEIGHT ASSY, GOVERNOR	1							
9	2	119660-61300	NUT	1							
10	2	119660-61341	SLEEVE	1							
11	1	119660-61121	LINK, NO MARK	1							1
12	1	119660-61140	LINK, MARK :2	1							1
13	1	119660-61150	LINK, MARK :3	1							1
14	1	119632-61200	CASE ASSY, GOVERNOR	1							
15	2	129155-51280	O-RING, S6	1							
18	2	119660-61052	GASKET	1							
19	2	119660-61460	SHIM SET	1							
22	2	129155-61480	SPACER ASSY	2							
27	2	119660-61491	SHAFT	1							
28	2	119232-61510	LEVER ASSY, GOVERNOR	1							
29	3	174307-51700	SHIM SET	2							
43	3	119232-61540	SPRING	1							
44	3	119600-61541	SHIFTER	1							
46	3	119660-61651	SPRING, STARTING	1							
47	3	22117-040000	WASHER, 4	1							
48	3	22272-000040	RING, E- 4	1							
49	3	22351-030014	PIN, SPRING 3.0X14	1							
50	2	119600-61900	RETAINER, SHAFT	1							
51	2	119660-61901	RETAINER, SHAFT	1							
52	2	119285-66080	SHAFT ASSY	1							
56	2	22351-040010	PIN, SPRING 4.0X10	2							
57	2	24341-000070	O-RING, 1AS7.0	1							
58	2	26106-060102	BOLT, M6X 10 PLATED	2							
59	1	135210-61090	LEAD	1							
60	1	26106-060752	BOLT, M6X 75 PLATED	2							
61	1	22451-060000	WIRE, 0.6	1							
62	1	119645-66020	SPRING, REGULATOR	1							
63	1	119640-66051	HANDLE, REGULATOR	1							
64	1	124550-66370	NUT, M6	1							
65	1	119233-66511	STOPPER ASSY	1							
67	2	24341-000280	O-RING, 1AS28.0	1							
68	2	26106-060162	BOLT, M6X 16 PLATED	1							
69	2	26106-060952	BOLT, M6X 95 PLATED	1							
70	1	26687-120002	NUT, CAP M12	1							
71	1	119600-66530	LIMITER ASSY, FUEL	1							
77	1	119610-66700	ANGLEICH ASSY	1							
101	1	121575-66830	SCREW	1							
102	1	119600-66840	NUT, CAP	1							
103	1	22360-040000	PIN, SNAP 4	1							
104	1	26106-060702	BOLT, M6X 70 PLATED	4							
105	1	26116-050102	BOLT, M5X 10 PLATED	3							
106	1	26116-060304	BOLT, M6X 30 PLATED	1							
107	1	26776-120002	NUT, LOCK M12	1							
108	1	22360-060000	PIN, SNAP 6	1							

Remarks

(1) SELECTIVE PART: CERTAIN THE CLASSIFICATION MARK, THEN PLACE YOUR ORDER. (REFER TO ILLUSTRATION).

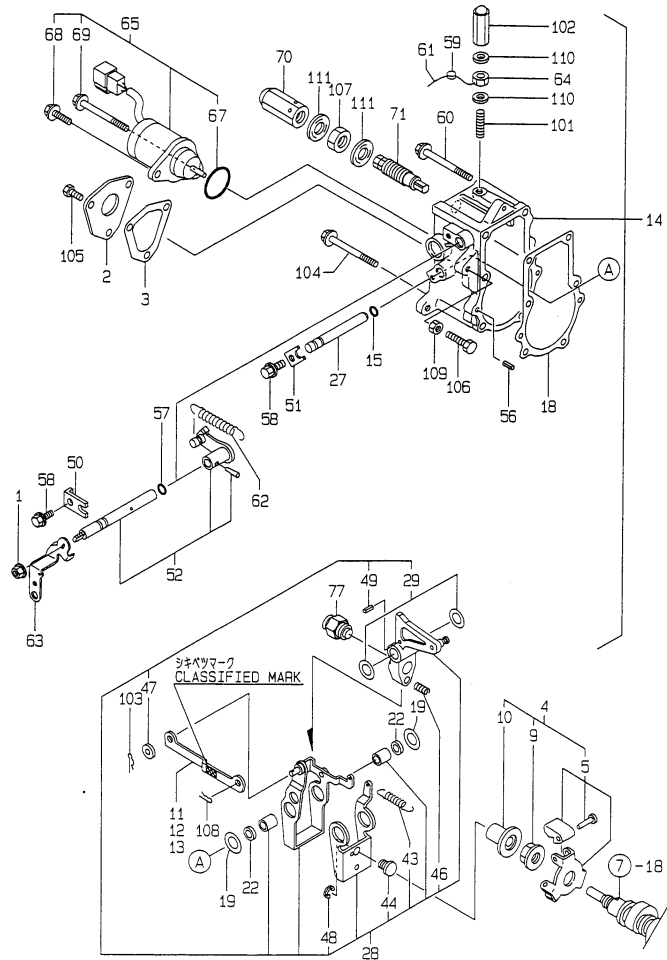
Fig.12. GOVERNOR

(A)=3TNE74-FC
(B)=
(C)=

(D)=
(E)=
(F)=

Y00D6370
3TNE74-FC

12 governor
GOVERNOR



No.	Lev.	Parts No.	Description	Q'ty						I	R
				(A)	(B)	(C)	(D)	(E)	(F)		
109	1	26756-060002	NUT, LOCK M6	1							
110	1	22190-060003	SEAL WASER 6	2							
111	1	22190-120002	WASHER, SEAL 12	2							

Remarks

(1) SELECTIVE PART:CERTAIN THE CLASSIFICATION MARK, THEN PLACE YOUR ORDER.(REFER TO ILLUSTRATION).

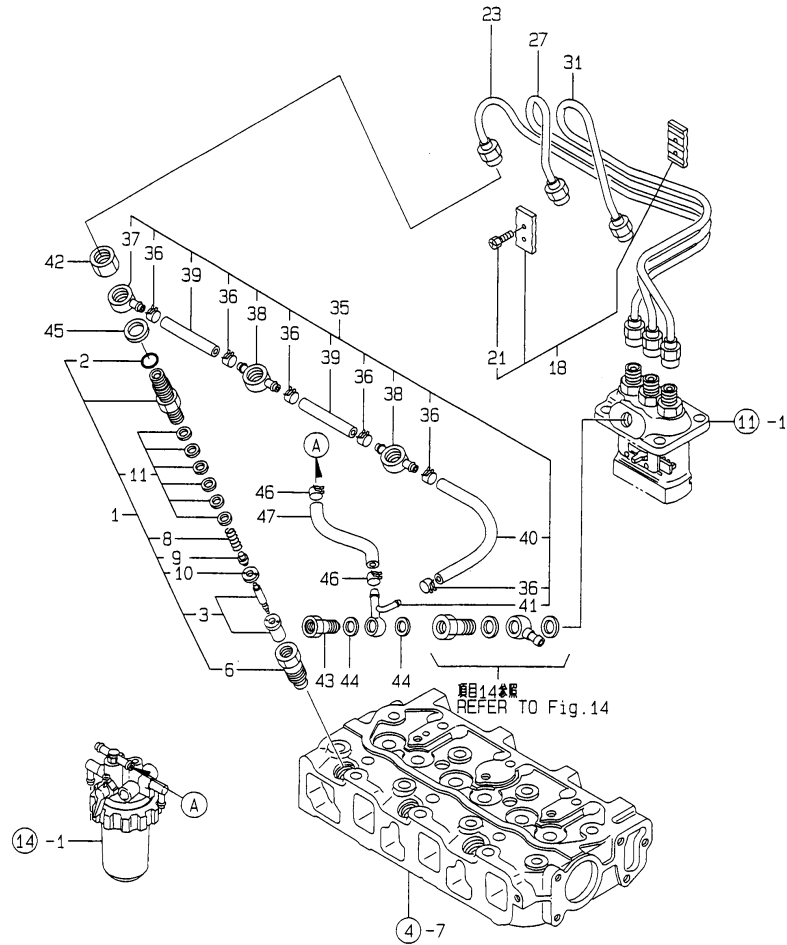
Fig.13. FUEL INJECTION VALVE

(A)=3TNE74-FC
(B)=
(C)=

(D)=
(E)=
(F)=

Y00D6370
3TNE74-FC

13 F0ファンシャベン
FUEL INJECTION VALVE



No.	Lev.	Parts No.	Description	Q'ty						I	R
				(A)	(B)	(C)	(D)	(E)	(F)		
1	1	719620-53700	VALVE ASSY,INJECTION	3							
2	2	129155-61830	O-RING, S10	3							
3	2	119620-53000	VALVE ASSY,INJECTION	3							
6	2	119620-53080	NUT, NOZZLE	3							
8	2	119620-53120	SPRING, NOZZLE	3							
9	2	114250-53130	SEAT, SPRING	3							
10	2	119620-53140	SPACER, VALVE STOP	3							
11	2	114250-53400	SHIM SET	3							
18	1	129150-59120	RETAINER, PIPE	1							
21	2	129150-59131	BOLT, M4X14	2							
23	1	119620-59811	PIPE ASSY, INJECTION	1							
27	1	119620-59821	PIPE ASSY, INJECTION	1							
31	1	119620-59831	PIPE ASSY, INJECTION	1							
35	1	119642-59540	PIPE ASSY, RETURN	1							
36	2	124066-59100	CLIP, HOSE 8	6							
37	2	119260-59520	JOINT	1							
38	2	119260-59530	JOINT	2							
39	2	105025-59550	PIPE, FUEL RETURN	2							
40	2	119642-59550	PIPE, FUEL RETURN	1							
41	2	119642-59570	JOINT, OVER FLOW	1							
42	1	119620-59700	NUT, NOZZLE	3							
43	1	124550-59820	BOLT, PIPE JOINT M8	1							
44	1	23414-080012	GASKET, 8X1.0	2							
45	1	23414-140000	GASKET, 14X1.0	3							
46	1	124766-59050	CLIP, HOSE 12	2							
47	1	121250-59080	PIPE, FUEL D12X180	1							

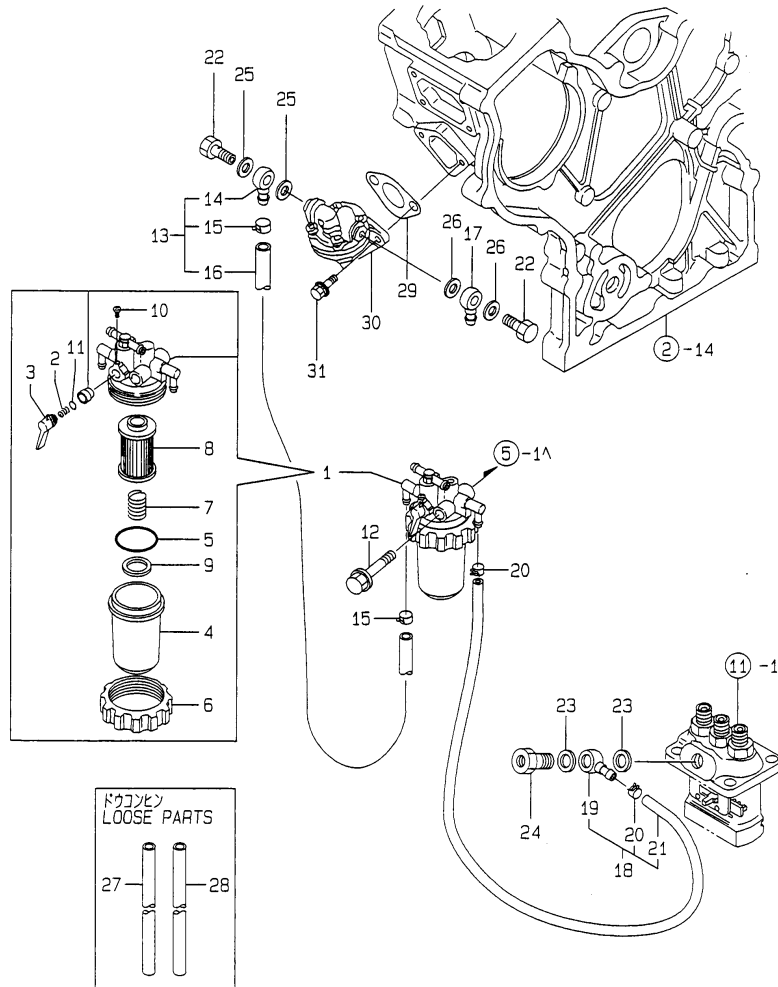
Fig.14. FUEL LINE

(A)=3TNE74-FC
(B)=
(C)=

(D)=
(E)=
(F)=

Y00D6370
3TNE74-FC

14 F0117
FUEL LINE



No.	Lev.	Parts No.	Description	Q'ty						I	R
				(A)	(B)	(C)	(D)	(E)	(F)		
1	1	129053-55620	FILTER ASSY, FUEL	1							
2	2	104200-55330	SPRING, VALVE	1							
3	2	119810-55340	LEVER	1							
4	2	129107-55510	CUP, STRAINER	1							
5	2	102103-55520	O-RING	1							
6	2	110250-55610	RING, RETAINING	1							
7	2	121250-55620	SPRING	1							
8	2	119810-55650	ELEMENT	1							
9	2	121257-55731	FLOAT	1							
10	2	104200-55750	SCREW, M4	1							
11	2	24311-240100	O-RING, 1AP10A	1							
12	1	26106-080652	BOLT, M8X 65 PLATED	1							
13	1	119244-59020	PIPE ASSY, FUEL	1							
14	2	104264-59030	JOINT, PIPE 8	1							
15	2	124766-59050	CLIP, HOSE 12	2							
16	2	121522-59100	PIPE, FUEL D12X500	1							
17	1	104264-59030	JOINT, PIPE 8	1							
18	1	119260-59031	PIPE, FUEL	1							
19	2	101304-59020	JOINT, PIPE 12	1							
20	2	124766-59050	CLIP, HOSE 12	2							
21	2	124767-59080	PIPE, FUEL	1							
22	1	105582-59150	BOLT, PIPE JOINT	2							
23	1	104200-59170	GASKET, 12	2							
24	1	119650-59200	BOLT, PIPE JOINT M12	1							
25	1	22190-080002	WASHER, SEAL 6	2							
26	1	22190-080002	WASHER, SEAL 6	2							
27	1	105225-59520	PIPE, FUEL	1							
28	1	105225-59530	PIPE, FUEL	1							
29	1	121520-01851	GASKET	1							
30	1	119600-52021	PUMP ASSY, FUEL FEED	1							
31	1	26014-060202	BOLT, M6X 20	2							

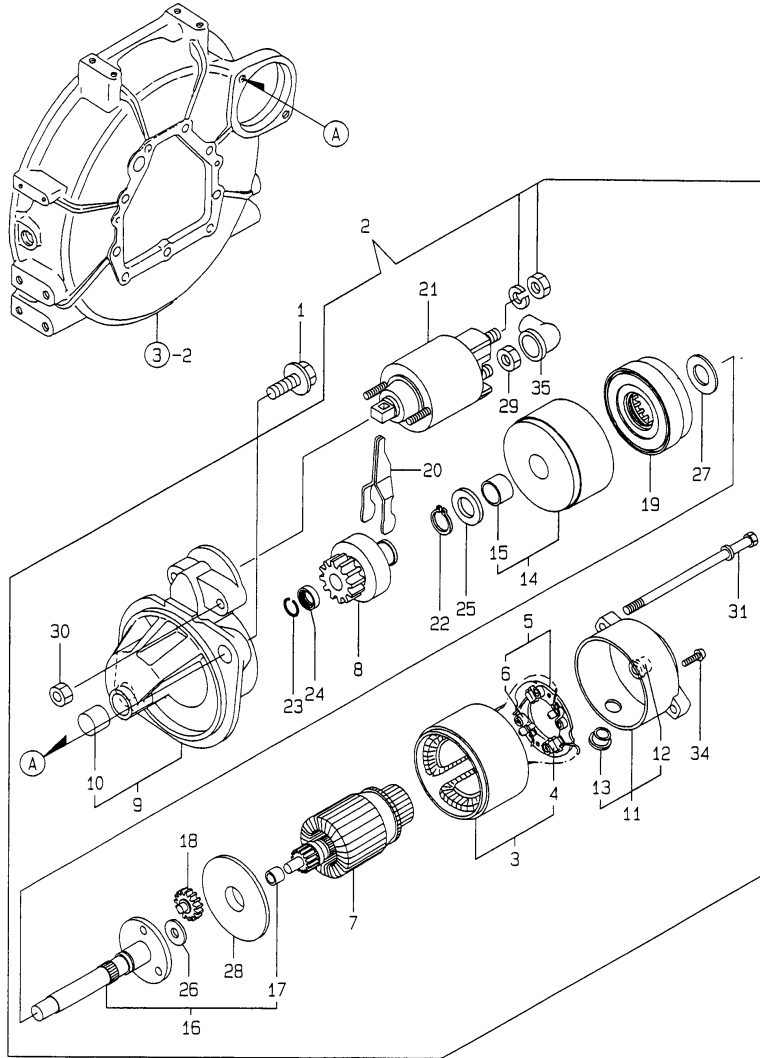
Fig.15. STARTING MOTOR

(A)=3TNE74-FC
(B)=
(C)=

(D)=
(E)=
(F)=

Y00D6370
3TNE74-FC

15 スターティングモータ
STARTING MOTOR



No.	Lev.	Parts No.	Description	Q'ty						I	R
				(A)	(B)	(C)	(D)	(E)	(F)		
1	1	26156-120302	BOLT, M12X 30 PLATED	2							
2	1	119255-77010	STARTER	1							
3	2	X0281007680	YOKE ASSY	1							
4	3	X0280996180	STARTER KIT	2							
5	2	X0285105190	HOLDER ASSY	1							
6	3	X0285205030	SPRING	4							
7	2	X0282005871	ARMATURE ASSY	1							
8	2	X0283006960	CLUTCH ASSY	1							
9	2	X5128400875	HOUSING ASSY	1							
10	3	X9491050100	BEARING, NEEDLE	1							
11	2	X0285005770	FRAME ASSY	1							
12	3	X9491040990	BEARING	1							
13	3	X0280626010	COVER	1							
14	2	X0284105010	BEARING ASSY	1							
15	3	X9491034330	BEARING	1							
16	2	X0286105010	SHAFT ASSY	1							
17	3	X9491034320	BEARING	1							
18	2	X0286305010	GEAR	3							
19	2	X0286355010	GEAR	1							
20	2	X0287405140	LEVER	1							
21	2	X0534007800	SWITCH ASSY	1							
22	2	X9055715000	RING	1							
23	2	X9490721360	RING	1							
24	2	X0280210331	NUT	1							
25	2	X9490138110	WASHER	1							
26	2	X9490138090	WASHER	1							
27	2	X9490138100	WASHER	1							
28	2	X0284525010	PLATE	1							
29	2	X9490562360	NUT	1							
30	2	X9490560750	NUT	2							
31	2	X9490423520	BOLT, THROUGH	2							
34	2	X9490065670	SCREW, M4X6	2							
35	2	X0280335100	COVER, TERMINAL	1							

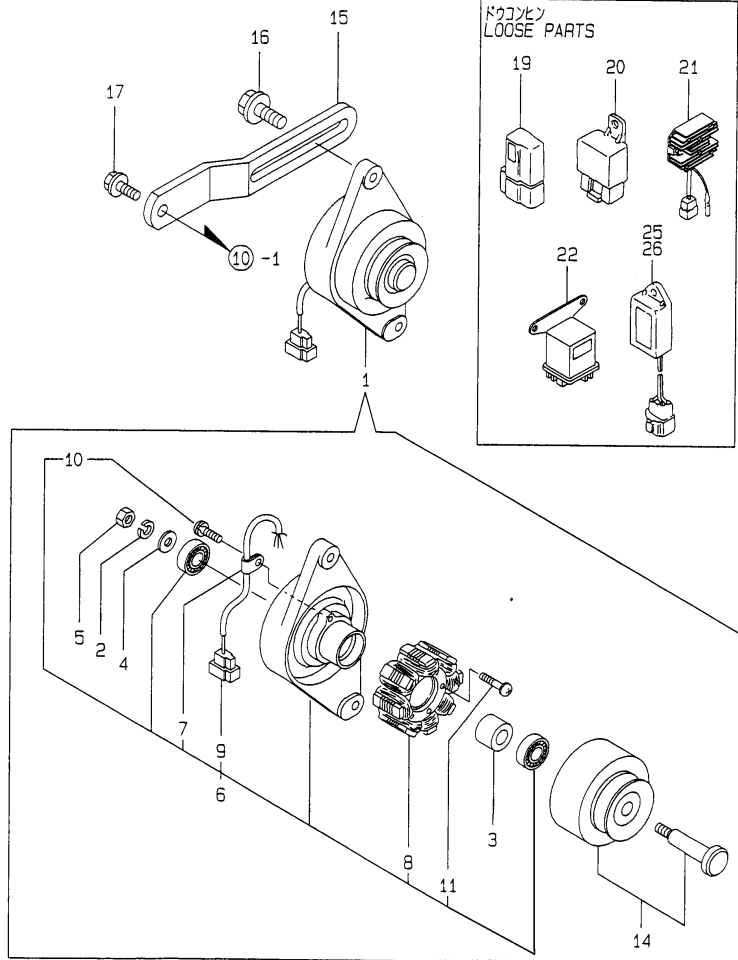
Fig.16. GENERATOR

(A)=3TNE74-FC
(B)=
(C)=

(D)=
(E)=
(F)=

Y00D6370
3TNE74-FC

16 ジェネレータ
GENERATOR



No.	Lev.	Parts No.	Description	Q'ty						I	R
				(A)	(B)	(C)	(D)	(E)	(F)		
1	1	129150-77202	GENERATOR	1							
1-1	1	129150-77203	DINAMO ASSY	1							N
(A=EXXXXX)											
2	2	XM219230000	WASHER, SPRING	1							
3	2	XM329830000	COLLAR	1							
4	2	XM860250000	WASHER, 10	1							
5	2	XM863720000	NUT	1							
6	2	129150-77210	PLATE ASSY	1							
7	3	XM069000000	CLAMP	1							
8	3	XM081780000	STATOR	1							
9	3	XM178780000	COUPLER	1							
10	3	XYSPS400800	SCREW	1							
11	3	XYSPS402400	SCREW	2							
14	2	129150-77230	FLYWHEEL ASSY	1							
14-1	2	129150-77280	FLYWHEEL ASSY	1							N
(A=EXXXXX)											
15	1	119660-77330	ADJUSTER	1							
16	1	26014-080252	BOLT, M8X 25	1							
17	1	26106-080162	BOLT, M8X 16 PLATED	1							
18	1	26106-100302	BOLT, M10X 30 PLATED	1							
19	1	119643-66900	DIODE	1							
20	1	119247-77100	RELAY, POWER	1							
21	1	119653-77710	CURRENT LIMITER	1							
22	1	119650-77910	RELAY ASSY, GLOW	1							
25	1	119632-77920	TIMER	1							
26	1	128300-77920	TIMER	1							

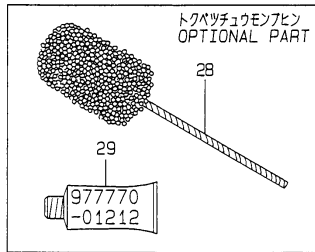
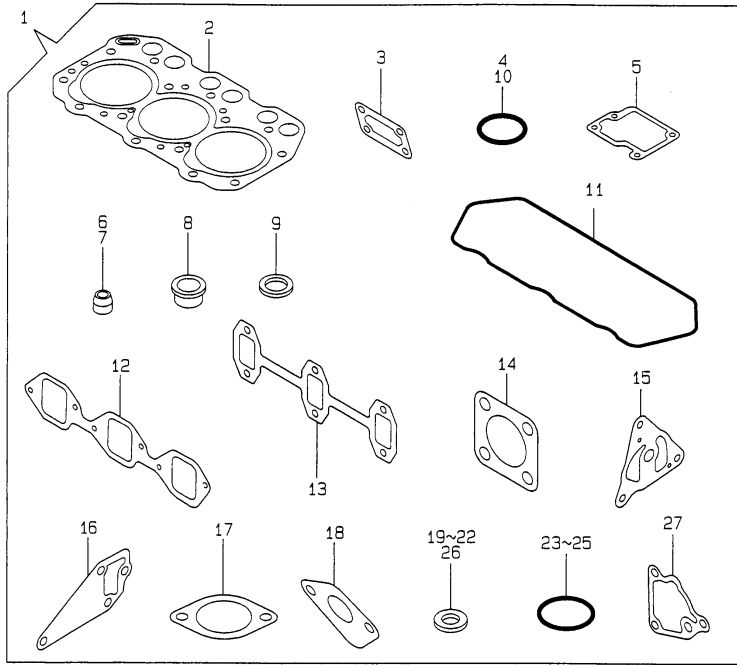
Fig.17. GASKET SET

(A)=3TNE74-FC
(B)=
(C)=

(D)=
(E)=
(F)=

Y00D6370
3TNE74-FC

17 バッキンセット
GASKET SET



No.	Lev.	Parts No.	Description	Q'ty						I	R
				(A)	(B)	(C)	(D)	(E)	(F)		
1	1	719623-92640	GASKET SET	1							1
2	2	119623-01330	GASKET, HEAD	1							
3	2	119660-01562	GASKET	1							
4	2	24311-000320	O-RING, 1AP32.0	1							
5	2	119620-03031	GASKET	1							
6	2	124950-11340	SEAL, VALVE STEM	3							
7	2	124160-11340	SEAL, VALVE STEM	3							
8	2	119600-11450	PROTECTOR, NOZZLE	3							
9	2	119600-11460	GASKET, NOZZLE	6							
10	2	24311-000320	O-RING, 1AP32.0	1							
11	2	119620-11310	GASKET, BONNET	1							
12	2	119620-12111	GASKET, MANIFOLD	1							
13	2	119620-13110	GASKET	1							
14	2	124701-11911	GASKET, SILENCER	1							
15	2	119660-32020	GASKET, PUMP	1							
16	2	119620-42020	GASKET, WATER PUMP	1							
17	2	129350-49541	GASKET	1							
18	2	121520-01851	GASKET	1							
19	2	124465-44950	GASKET, 16	2							
20	2	104200-59170	GASKET, 12	2							
21	2	23414-140000	GASKET, 14X1.0	3							
22	2	22190-080002	WASHER, SEAL 6	4							
23	2	24311-000120	O-RING, 1AP12.0	4							
24	2	129155-61830	O-RING, S10	3							
25	2	24341-000240	O-RING, 1AS24.0	1							
26	2	22190-220002	WASHER, SEAL 22	1							
27	2	119660-35113	GASKET	1							
28	1	129400-92410	FLEX HORN	1							1
29	1	977770-01212	GASKET, LIQUID	1							1

Remarks
(1) OPTIONAL PART.

Parts No. Index

Parts No.	Fig. No.	Ref. No.
101304-59020	14	19
102103-55520	14	5
104200-55330	14	2
104200-55750	14	10
104200-59170	14	23
	17	20
104211-11370	4	24
104264-59030	14	14
		17
105010-11230	4	35
		39
105025-59550	13	39
105225-23200	8	29
105225-59520	14	27
105225-59530	14	28
105546-51330	11	25
105582-59150	14	22
110250-55610	14	6
114250-53130	13	9
114250-53400	13	11
114350-22301	8	22
119209-35030	9	30
119232-61510	12	28
119232-61540	12	43
119233-66511	12	65
119244-59020	14	13
119247-77100	16	20
119255-77010	15	2
119260-59031	14	18
119260-59520	13	37
119260-59530	13	38
119285-66080	12	52
119305-35150	9	17
119600-01050	1	5
119600-01600	3	2
119600-01722	3	11
119600-01770	3	13
119600-11450	4	27
	17	8
119600-11460	4	26
	17	9
119600-35091	9	29
119600-44500	10	28
119600-52021	14	30
119600-61100	12	4
119600-61200	12	5
119600-61541	12	44
119600-61900	12	50
119600-66530	12	71
119600-66840	12	102

Parts No.	Fig. No.	Ref. No.
119610-01490	2	14
119610-01590	2	1
119610-66700	12	77
119620-01200	1	23
119620-01620	3	6
119620-01750	3	4
119620-01800	2	4
119620-02020	1	6
119620-02410	1	21
119620-02450	7	4
119620-03020	4	48
119620-03031	4	49
	17	5
119620-11110	4	18
119620-11120	4	19
119620-11180	4	20
119620-11200	4	28
119620-11240	4	29
119620-11260	4	32
119620-11280	4	33
119620-11310	4	52
	17	11
119620-11330	4	47
119620-11350	4	44
119620-11390	4	53
119620-11801	4	11
119620-12111	5	2
	17	12
119620-13110	6	2
	17	13
119620-14100	7	7
119620-14200	7	1
119620-14401	7	2
119620-21941	8	10
119620-23910	8	27
119620-25102	7	11
119620-25912	7	13
119620-42020	10	13
	17	16
119620-42320	10	10
119620-51101	11	4
119620-51170	11	7
119620-51180	11	8
119620-51190	11	9
119620-51250	11	10
119620-51300	11	22
119620-51340	11	26
119620-51350	11	27
119620-51370	11	28
119620-51450	11	29

Parts No.	Fig. No.	Ref. No.
119620-51461	11	30
119620-51510	11	32
119620-51650	11	34
119620-51660	11	35
119620-51670	11	36
119620-51680	11	37
119620-51700	11	38
119620-53000	13	3
119620-53080	13	6
119620-53120	13	8
119620-53140	13	10
119620-59700	13	42
119620-59811	13	23
119620-59821	13	27
119620-59831	13	31
119620-77820	4	60
119621-21680	8	9
119623-01330	1	24
	17	2
119623-01950	2	23
119623-11100	4	17
119623-21700	8	1
119623-22080	8	16
119623-22500	8	18
119623-22900	8	32
119623-22950	8	34
119623-34820	9	14
119629-14580	7	3
119631-13101	6	1
119631-13650	6	9
119632-07900	4	5
119632-12211	5	19
119632-12520	5	11
119632-12530	5	17
119632-12551	5	4
119632-12590	5	5
119632-13511	6	8
119632-61200	12	14
119632-77920	16	25
119640-12580	5	7
119640-21590	8	12
119640-42290	10	15
119640-66051	12	63
119642-42350	10	16
119642-59540	13	35
119642-59550	13	40
119642-59570	13	41
119643-66900	16	19
119644-21200	8	5
119645-12100	5	1

Parts No.	Fig. No.	Ref. No.
119645-49010	10	38
119645-49020	10	39
119645-66020	12	62
119650-59200	14	24
119650-77910	16	22
119653-77710	16	21
119660-01510	2	17
119660-01551	2	20
119660-01562	2	21
	17	3
119660-01570	2	22
119660-01640	3	7
119660-01821	7	17
119660-01911	2	5
119660-21651	8	8
119660-25022	7	9
119660-25052	7	10
119660-32001	9	1
119660-32020	9	11
	17	15
119660-35102	9	15
119660-35113	9	16
	17	27
119660-35300	9	18
119660-42005	10	1
119660-51500	11	31
119660-51530	11	33
119660-61052	12	18
119660-61060	12	2
119660-61071	12	3
119660-61121	12	11
119660-61140	12	12
119660-61150	12	13
119660-61300	12	9
119660-61341	12	10
119660-61460	12	19
119660-61491	12	27
119660-61651	12	46
119660-61901	12	51
119660-77330	16	15
119810-55340	14	3
119810-55650	14	8
119865-21600	8	15
121023-01550	2	32
121024-12660	5	13
121111-21501	8	11
121120-01620	3	3
121120-13580	6	13
121120-13590	6	12
121137-59080	10	45

Parts No. Index

Parts No.	Fig. No.	Ref. No.
121250-44901	10	24
121250-55620	14	7
121250-59080	13	47
121257-55731	14	9
121262-12800	5	18
121450-01560	2	18
121450-42450	10	26
121450-44531	10	32
121465-12510	5	12
121465-12700	5	16
121468-44510	10	30
121468-44540	10	33
121470-44581	10	35
121520-01851	14	29
	17	18
121520-34810	9	13
121522-59100	14	16
121550-49111	10	46
121575-66830	12	101
124064-12680	5	14
124064-12690	5	15
124066-59100	13	36
124085-02220	3	9
124160-01751	2	12
	4	61
124160-11340	4	22
	17	7
124160-11360	4	57
124160-39450	9	32
124251-44740	10	17
124450-44560	10	34
124450-44590	10	29
124465-44950	10	25
	27	27
	17	19
124550-59820	13	43
124550-66370	12	64
124701-11911	6	7
	17	14
124766-59050	13	46
	14	15
	20	20
124767-59080	14	21
124950-11340	4	23
	17	6
128300-77920	16	26
129053-55620	14	1
129100-01580	3	1
	8	2
129107-55510	14	4

Parts No.	Fig. No.	Ref. No.
129150-35350	9	26
129150-49080	10	41
129150-49100	10	40
129150-59120	13	18
129150-59131	13	21
129150-77202	16	1
129150-77203	16	1 -1
129150-77210	16	6
129150-77230	16	14
129150-77280	16	14 -1
129155-51280	12	15
129155-61480	12	22
129155-61830	13	2
	17	24
129350-49530	10	20
129350-49541	10	21
	17	17
129350-49800	10	22
129400-92410	17	28
129795-77800	4	59
135210-61090	12	59
171301-01640	3	14
171301-44560	10	37
171353-44760	10	18
174307-51700	12	29
194990-22050	2	30
	6	3
	10	10
	12	1
22117-040000	12	47
22137-040000	11	43
22137-100000	6	14
22190-060003	12	110
22190-080002	14	25
	26	26
	17	22
22190-120002	12	111
22190-220002	17	26
22217-040000	11	44
22217-100000	6	15
22242-000120	4	42
22242-000200	7	15
22252-000210	8	23
22272-000040	12	48
22351-030014	12	49
22351-040010	2	19
	12	56
22351-060012	4	25
22360-040000	12	103
22360-060000	12	108

Parts No.	Fig. No.	Ref. No.
22451-060000	12	61
22512-040120	7	8
	22	22
	8	6
22857-500100	4	56
23000-060000	5	8
23065-070130	10	36
23065-120500	4	1
23414-080012	13	44
23414-140000	13	45
	17	21
23871-010000	1	11
23871-020000	4	14
23871-030000	10	11
24101-062034	7	24
24102-063034	7	23
24311-000120	2	6
	4	58
	17	23
24311-000160	9	27
24311-000320	2	13
	4	62
	17	4
	10	10
24311-240100	14	11
24341-000070	12	57
24341-000240	2	33
	17	25
24341-000250	3	17
24341-000280	12	67
26014-060202	14	31
26014-060352	10	19
26014-080202	5	9
	6	11
26014-080252	16	16
26022-040082	11	45
26106-060102	9	31
	12	58
26106-060122	1	22
	3	18
	4	6
	7	16
26106-060162	2	7
	7	25
	12	68
26106-060182	2	34
26106-060202	5	3
26106-060222	3	10
26106-060302	2	8
26106-060452	3	19

Parts No.	Fig. No.	Ref. No.
26106-060602	2	9
		10
26106-060702	12	104
26106-060752	12	60
26106-060802	2	11
26106-060952	12	69
26106-080162	16	17
26106-080202	9	28
	10	23
26106-080402	6	4
26106-080452	4	45
	10	14
26106-080652	14	12
26106-100302	16	18
26106-100652	6	16
26116-050102	12	105
26116-060304	12	106
26156-120302	15	1
26206-100252	3	5
26216-080222	6	5
26216-080552	6	6
26366-060002	2	31
26366-080002	4	46
	5	10
26450-060202	9	12
26587-040102	11	46
26587-080102	7	26
26687-120002	12	70
26706-100002	6	17
26756-060002	4	37
	12	109
	12	107
26776-120002	12	107
26979-050162	4	43
27221-050080	4	15
27231-450000	1	12
27241-120000	1	13
27241-300000	1	14
27241-400000	4	16
27310-070001	4	21
719620-02800	1	15
719620-02870	1	25
719620-02930	1	18
719620-11650	4	34
719620-11660	4	38
719620-23100	8	24
719620-23600	8	30
719620-23610	8	40
719620-53700	13	1
719621-51100	11	1

Parts No. Index

Parts No.	Fig. No.	Ref. No.
719623-01560	1	1
719623-11700	4	7
719623-92640	17	1
719660-14590	7	18
977770-01212	2	35
	3	20
	17	29
X0280210331	15	24
X0280335100	15	35
X0280626010	15	13
X0280996180	15	4
X0281007680	15	3
X0282005871	15	7
X0283006960	15	8
X0284105010	15	14
X0284525010	15	28
X0285005770	15	11
X0285105190	15	5
X0285205030	15	6
X0286105010	15	16
X0286305010	15	18
X0286355010	15	19
X0287405140	15	20
X0534007800	15	21
X5128400875	15	9
X9055715000	15	22
X9490065670	15	34
X9490138090	15	26
X9490138100	15	27
X9490138110	15	25
X9490423520	15	31
X9490560750	15	30
X9490562360	15	29
X9490721360	15	23
X9491034320	15	17
X9491034330	15	15
X9491040990	15	12
X9491050100	15	10
XM069000000	16	7
XM081780000	16	8
XM178780000	16	9
XM219230000	16	2
XM329830000	16	3
XM860250000	16	4
XM863720000	16	5
XYSPS400800	16	10
XYSPS402400	16	11

Parts No.	Fig. No.	Ref. No.
-----------	----------	----------

Parts No.	Fig. No.	Ref. No.
-----------	----------	----------

Parts No.	Fig. No.	Ref. No.
-----------	----------	----------