

OCD10-M63600EN

PREFACE

1. This Parts Catalog is the 1st edition of 3TNE74-KBS Diesel Engine for KOMATSU-KOBASHI.

Pub. No. : 000Y00D6360

Published : August, 1997

2. Model name

Engine model	Vehicle		Vehicle made by
	Products	Model name	
3TNE74-KBS	SNOW THROWER	—	KOMATSU-KOBASHI

Directions for the Parts Catalog.

1. This Parts Catalog shows both standard and optional parts.
2. Parts may change without prior notice.
3. The following is an example of the Parts Catalog format.

REF.	LEV.	PARTS NO.	DESCRIPTION	Q'TY						I	R
				(A)	(B)	(C)	(D)	(E)	(F)		
1	1	729595-51390	FUEL INJECTION PUMP	1	1	1	1	1			1
1-1	1	729595-51391	FUEL INJECTION PUMP	1	1	1	1	1		N	1
		(A=E00185) (B=E00200)									
3	2	26022-060162	SCREW M 6X 16	9	9	9	9	9			
3-1	2	26022-060162	SCREW M 6X 16	4	4	4	4	4		K	
		(A=E00156) (B=E00156) (C=E00156) (D=E00156) (E=E00156)									
4	2	129470-51040	CAMSHAFT	1	1	1	1	1			
5	2	122710-51050	BEARING, ROLLER	2	2	2	2	2			
6	2	129470-51060	RETAINER	1	1	1	1	1			

Remarks
(1) BOOST COMPEMSATOR TYPE. OPTIONAL PART, TO E00155,(4JH-DT, 4JH-DTZ

① Ref. No.

The Ref. No. listed may not be in accordance with the illustration Ref. No.

(Ex.) Illustration No.

List Ref No.

1

1

(Before change)

1-1

(After change)

For interchangeable symbols N, R and K, illustrations for new parts may be abbreviated.

② Lev. (Level)

Level indication

The numbers below indicate the level of relativity towards the main part.

1 ----- Main parts (Assembly parts)

2 ----- Sub component included in " 1 ".

3 ----- Sub component included in " 2 ".

Note) Parts that are not for sale are partially illustrated but not listed.

③ Interchangeability Symbol

When a part change takes place, one of the following interchangeability symbols is indicated beside the part.

Symbol	Interchangeability	Contents note
N	Old $\begin{matrix} \leftarrow \text{Yes} \\ \text{No} \rightarrow \end{matrix}$ New	New Part is interchangeable for Old Part but Old Part is not interchangeable for New Part.
Q	Old $\begin{matrix} \leftarrow \text{No} \\ \text{Yes} \rightarrow \end{matrix}$ New	New Part is not interchangeable for Old Part but Old Part is interchangeable for New Part.
R	Old $\begin{matrix} \leftarrow \text{Yes} \\ \text{Yes} \rightarrow \end{matrix}$ New	New/ Old Parts are both interchangeable.
S	Old $\begin{matrix} \leftarrow \text{No} \\ \text{No} \rightarrow \end{matrix}$ New	New/ Old Parts are both not interchangeable.
W		Part newly added.
Z		Part discontinued.
F		Not interchangeable by a single part but interchangeable together with related parts.
K		Changes only for used parts quantities.

④ Effective Machine No.

When a part changes, the effective Machine No. will be indicated in the (A)-(F) column.

Product Symbol	Product No.	Product Symbol	Product No.
C	Clutch No. Compressor No.	F	Machine No. (Agricultural Equip.)
D	Drive No.	M	Machine No.
E	Engine No.		

Note 1) A date may follow the symbol. (Ex.) 1996.01

Note 2) "XXXXX" and "ZZZZZ" are for parts that could not be predicted or for engine models that could not be identified.

Note 3) (A=E00185) is the E (Engine Serial Number) for the column (A) model (in this case 4JH-DT) after the parts design change.

⑤ Remarks

Figures or alphabets (symbols) are entered in the remarks column.

The comments (remarks) on parts that are indicated at the bottom of the illustration are the same symbols as those stated above.

Contents

OCD10-M63600

Fig. No. Fig. Name

Fig. No. Fig. Name

3TNE74-KBS

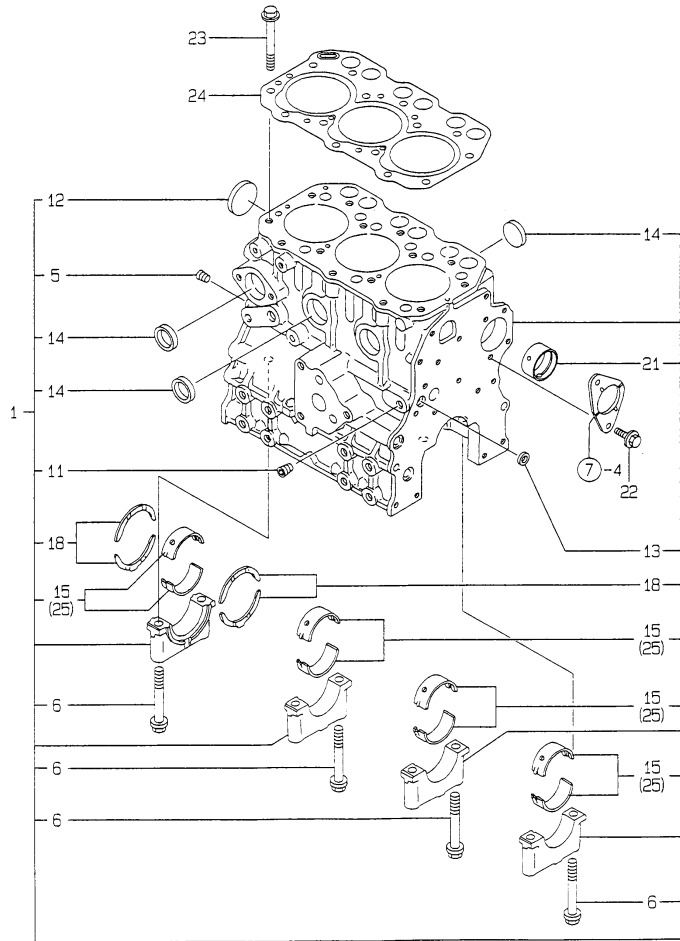
1. CYLINDER BLOCK
2. GEAR HOUSING
3. OIL SUMP
4. CYLINDER HEAD & BONNET
5. SUC.MANIFOLD & AIR CLEANER
6. EXHAUST MANIFOLD & SILENCER
7. CAMSHAFT & DRIVING GEAR
8. CRANKSHAFT & PISTON
9. LUB.OIL SYSTEM
10. COOLING WATER SYSTEM
11. FUEL INJECTION PUMP
12. GOVERNOR
13. FUEL INJECTION VALVE
14. FUEL LINE
15. FUEL TANK
16. STARTING MOTOR
17. GENERATOR
18. GASKET SET

Fig.1. CYLINDER BLOCK

(A)=3TNE74-KBS
(B)=
(C)=

(D)=
(E)=
(F)=

Y00D6360
3TNE74-KBS



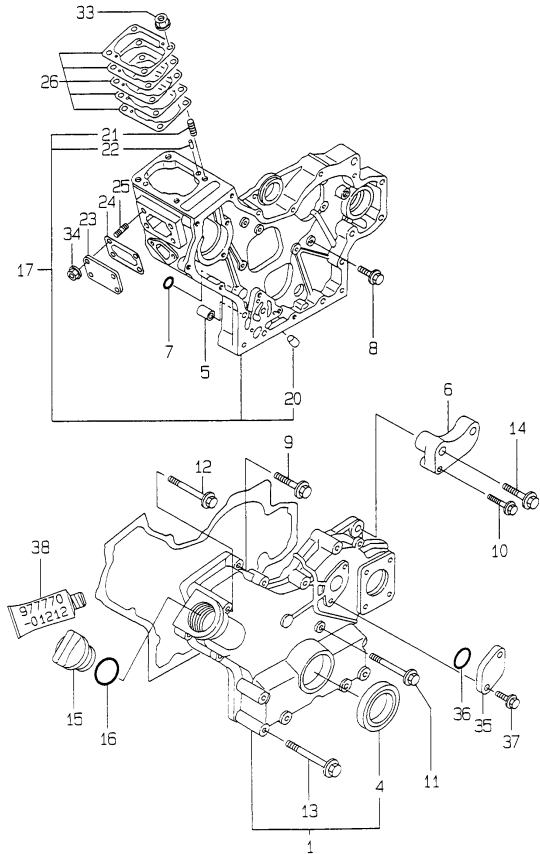
No.	Lev.	Parts No.	Description	Q'ty						I	R
				(A)	(B)	(C)	(D)	(E)	(F)		
1	1	719623-01560	BLOCK ASSY, CYLINDER	1							
5	2	119600-01050	PLUG, PT1/4	1							
6	2	119620-02020	BOLT, METAL CAP	8							
11	2	23871-010000	PLUG, R01	1							
12	2	27231-450000	PLUG 45	1							
13	2	27241-120000	PLUG, 12	1							
14	2	27241-300000	PLUG 30	6							
15	2	719620-02800	BEARING, MAIN	4							
18	2	719620-02930	BEARING, THRUST	2							
21	2	119620-02410	BUSH, CAMSHAFT	1							
22	1	26106-060122	BOLT, M6X 12 PLATED	2							
23	1	119620-01200	BOLT, HEAD	14							
24	1	119623-01330	GASKET, HEAD	1							
25	1	719620-02870	BEARING, 0.25 US	4							1

Remarks

(1)UNDER-SIZE(U.S=0.25)PART.

Fig.2. GEAR HOUSING

Y00D6360
3TNE74-KBS



(A)=3TNE74-KBS
(B)=
(C)=

(D)=
(E)=
(F)=

No.	Lev.	Parts No.	Description	Q'ty						I	R
				(A)	(B)	(C)	(D)	(E)	(F)		
1	1	119660-01590	COVER ASSY,GEAR CASE	1							
4	2	119620-01800	SEAL, OIL	1							
5	1	119660-01911	PIPE, KNOCK	4							
6	1	119640-77250	BRACKET, GENERATOR	1							
7	1	24311-000120	O-RING, 1AP12.0	2							
8	1	26106-060162	BOLT, M6X 16 PLATED	7							
9	1	26106-060302	BOLT, M6X 30 PLATED	5							
10	1	26106-060502	BOLT, M6X 50 PLATED	1							
11	1	26106-060602	BOLT, M6X 60 PLATED	3							
12	1	26106-060602	BOLT, M6X 60 PLATED	1							
13	1	26106-060802	BOLT, M6X 80 PLATED	6							
14	1	26106-100602	BOLT, M10X 60 PLATED	1							
15	1	124160-01751	COVER, FILLER	1							
16	1	24311-000320	O-RING, 1AP32.0	1							
17	1	119660-01492	CASE ASSY, GEAR	1							
20	2	119660-01510	PLUG, 10X14	1							
21	2	121450-01560	STUD, M8X22	4							
22	2	22351-040010	PIN, SPRING 4.0X10	2							
23	1	119660-01551	COVER	1							
24	1	119660-01562	GASKET	1							
25	1	119660-01570	STUD, M6X12	4							
26	1	119623-01950	SHIM SET, ADJUSTING	1							
33	1	194990-22050	NUT, M8	4							
34	1	26366-060002	NUT, M6	4							
35	1	121023-01550	COVER	1							
36	1	24341-000240	O-RING, 1AS24.0	1							
37	1	26106-060182	BOLT, M6X 18 PLATED	2							
38	1	977770-01212	GASKET, LIQUID	1							1

Remarks

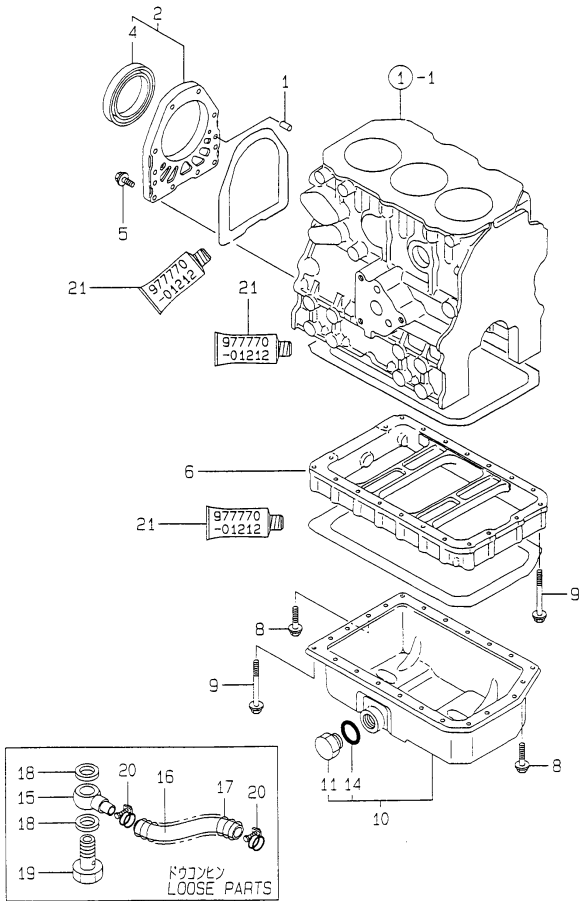
(1) OPTIONAL PART.

Fig.3. OIL SUMP

(A)=3TNE74-KBS
(B)=
(C)=

(D)=
(E)=
(F)=

Y00D6360
3TNE74-KBS



No.	Lev.	Parts No.	Description	Q'ty						I	R
				(A)	(B)	(C)	(D)	(E)	(F)		
1	1	119620-01620	PIN, M6X10	2							
2	1	119660-01640	CASE ASSY, OIL SEAL	1							
4	2	124085-02220	SEAL, OIL	1							
5	1	26106-060222	BOLT, M6X 22 PLATED	10							
6	1	119600-01722	SPACER, OIL SUMP	1							
8	1	26106-060122	BOLT, M6X 12 PLATED	3							
9	1	26106-060452	BOLT, M6X 45 PLATED	20							
10	1	119600-01770	SUMP ASSY, OIL	1							
11	2	171301-01640	PLUG, 22	2							
14	2	24341-000250	O-RING, 1AS25.0	2							
15	1	119646-39910	JOINT, PIPE	1							
16	1	119836-39930	HOSE	1							
17	1	119646-39930	SPRING, PROTECTE	1							
18	1	23414-220000	GASKET, 22X1.0	2							
19	1	23857-180000	BOLT, JOINT 18	1							
20	1	23010-025000	CLAMP, 25	2							
21	1	977770-01212	GASKET, LIQUID	1							1

Remarks
(1) OPTIONAL PART.

Fig.4. CYLINDER HEAD & BONNET

(A)=3TNE74-KBS

(B)=

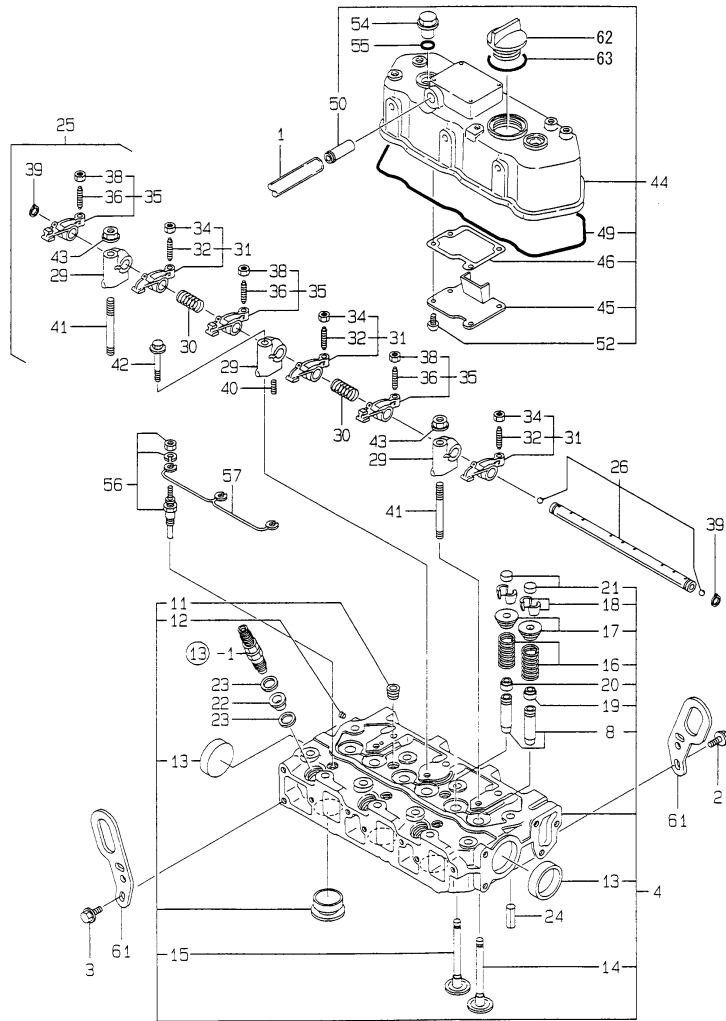
(C)=

(D)=

(E)=

(F)=

Y00D6360
3TNE74-KBS



No.	Lev.	Parts No.	Description	Q'ty						I	R
				(A)	(B)	(C)	(D)	(E)	(F)		
1	1	23065-120500	PIPE, 12X 500	1							
2	1	26106-080142	BOLT, M8X 14 PLATED	1							
3	1	26106-080142	BOLT, M8X 14 PLATED	2							
4	1	719623-11700	HEAD ASSY, CYLINDER	1							
8	2	119620-11801	GUIDE, VALVE	6							1
11	2	23871-020000	PLUG, R02	2							
12	2	27221-050080	PLUG, 5X 8	1							
13	2	27241-400000	PLUG, 40	2							
14	2	119623-11100	VALVE, INTAKE	3							
15	2	119620-11110	VALVE, EXHAUST	3							
16	2	119620-11120	SPRING, VALVE	6							
17	2	119620-11180	RETAINER, SPRING	6							
18	2	27310-070001	COTTER, 7	6							
19	2	124160-11340	SEAL, VALVE STEM	3							
20	2	124950-11340	SEAL, VALVE STEM	3							
21	2	104211-11370	CAP, VALVE	6							
22	1	119600-11450	PROTECTOR, NOZZLE	3							
23	1	119600-11460	GASKET, NOZZLE	6							
24	1	22351-060012	PIN, SPRING 6.0X12	2							
25	1	119620-11200	SUPPORT ASSY, ARM	1							
26	2	119620-11240	SHAFT ASSY, ROCKER	1							
29	2	119620-11260	SUPPORT, ROCKER ARM	3							
30	2	119620-11280	SPRING	2							
31	2	719620-11650	ARM ASSY, ROCKER	3							
32	3	105010-11230	SCREW, VALVE ADJUST	3							
34	3	26756-060002	NUT, LOCK M6	3							
35	2	719620-11660	ARM ASSY, ROCKER	3							
36	3	105010-11230	SCREW, VALVE ADJUST	3							
38	3	26756-060002	NUT, LOCK M6	3							
39	2	22242-000120	RING, 12	2							
40	2	26979-050162	SCREW, M5X16	1							
41	1	119620-11350	STUD	2							
42	1	26106-080452	BOLT, M8X 45 PLATED	1							
43	1	26366-080002	NUT, M8	2							
44	1	119620-11330	BONNET ASSY, HEAD	1							
45	2	119620-03020	PLATE, SHELTER	1							
46	2	119620-03031	GASKET	1							
49	2	119620-11310	GASKET, BONNET	1							
50	2	119620-11390	JOINT	1							
52	2	22857-500100	SCREW, 5X10	4							
54	1	124160-11360	KNOB	2							
55	1	24311-000120	O-RING, 1AP12.0	2							
56	1	129795-77800	PLUG, GLOW	3							
57	1	119620-77820	CONNECTOR, GLOW PLUG	1							
61	1	119260-07900	LIFTER	2							
62	1	124160-01751	COVER, FILLER	1							
63	1	24311-000320	O-RING, 1AP32.0	1							

Remarks

(1) REPAIR PART.

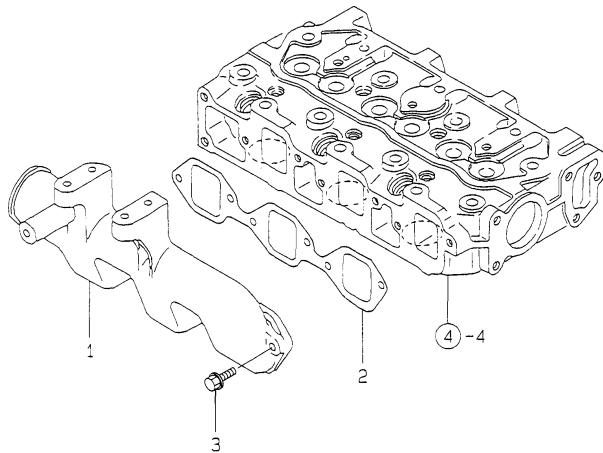
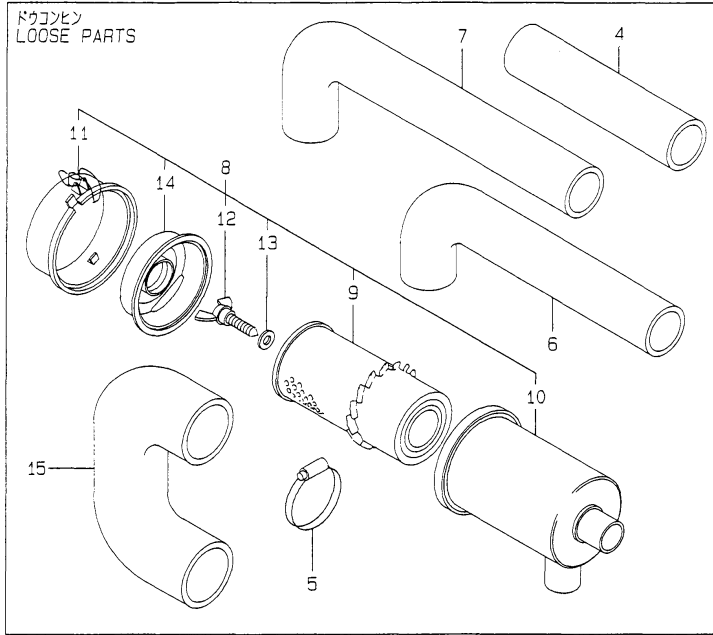
N:Old $\xrightarrow{\text{Yes}}$ New, Q:Old $\xrightarrow{\text{No}}$ New, R:Old $\xrightarrow{\text{Yes}}$ New, S:Old $\xrightarrow{\text{No}}$ New, W:Add, Z:Discontinued, F:Interchangeable by set, K:Q'ty Change

Fig.5. SUC.MANIFOLD & AIR CLEANER

(A)=3TNE74-KBS
(B)=
(C)=

(D)=
(E)=
(F)=

Y00D6360
3TNE74-KBS



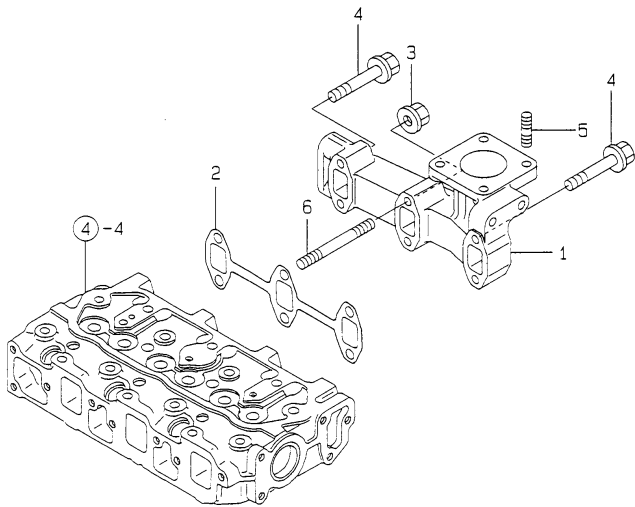
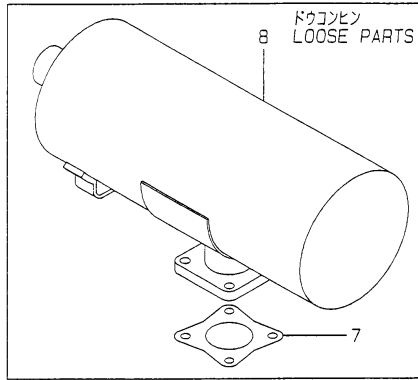
No.	Lev.	Parts No.	Description	Q'ty						I	R
				(A)	(B)	(C)	(D)	(E)	(F)		
1	1	119645-12100	MANIFOLD, AIR INTAKE	1							
2	1	119620-12111	GASKET, MANIFOLD	1							
3	1	26106-060202	BOLT, M6X 20 PLATED	6							
4	1	119230-12230	PIPE, AIR INTAKE	2							
5	1	23000-060000	CLAMP, 60	7							
6	1	171126-12210	PIPE, AIR INTAKE	1							
7	1	119230-12240	PIPE, AIR INTAKE	1							
8	1	124970-12500	CLEANER ASSY, AIR	1							
9	2	121465-12510	ELEMENT	1							
10	2	124970-12640	BODY, AIR CLEANER	1							
11	2	124970-12660	SUMP ASSY, DUST	1							
12	2	124064-12680	BOLT	1							
13	2	124064-12690	WASHER	1							
14	2	124970-12700	RETAINER, ELEMENT	1							
15	1	119631-12650	PIPE, AIR INTAKE	1							

Fig.6. EXHAUST MANIFOLD & SILENCER

(A)=3TNE74-KBS
(B)=
(C)=

(D)=
(E)=
(F)=

Y00D6360
3TNE74-KBS



No.	Lev.	Parts No.	Description	Q'ty						I	R
				(A)	(B)	(C)	(D)	(E)	(F)		
1	1	119631-13101	MANIFOLD, EXHAUST	1							
2	1	119620-13110	GASKET	1							
3	1	194990-22050	NUT, M8	2							
4	1	26106-080402	BOLT, M8X 40 PLATED	4							
5	1	26216-080222	STUD, M8X 22	4							
6	1	26216-080552	STUD, M8X 55	2							
7	1	121000-13201	GASKET, SILENCER	2							
8	1	119640-13500	SILENCER	1							

Fig.7. CAMSHAFT & DRIVING GEAR

(A)=3TNE74-KBS

(B)=

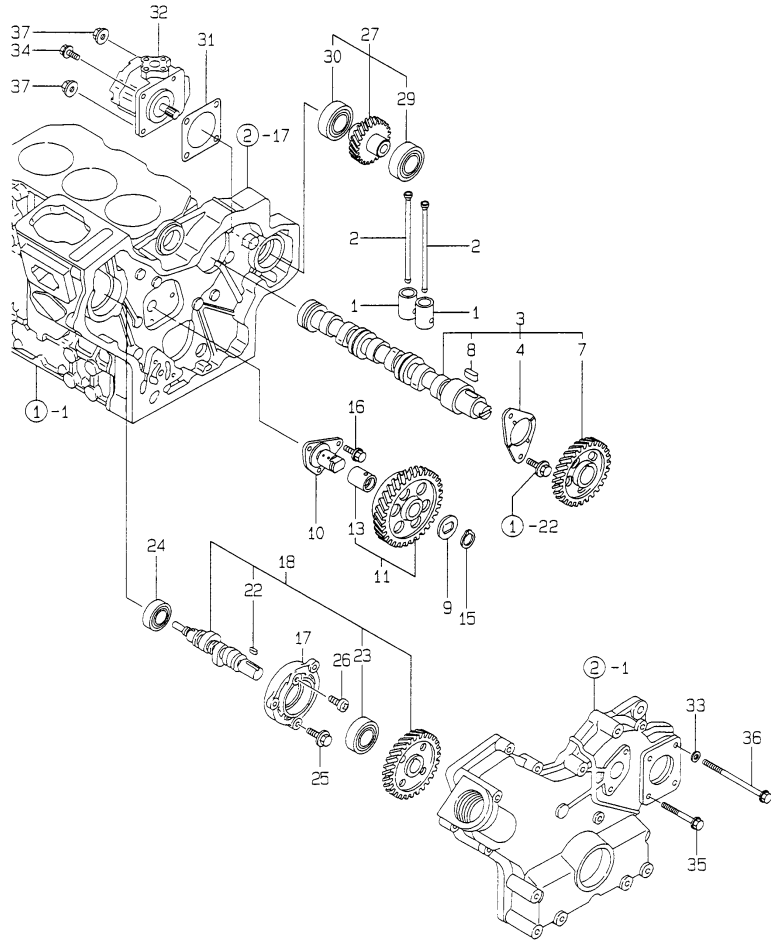
(C)=

(D)=

(E)=

(F)=

Y00D6360
3TNE74-KBS



No.	Lev.	Parts No.	Description	Q'ty						I	R
				(A)	(B)	(C)	(D)	(E)	(F)		
1	1	119620-14200	TAPPET	6							
2	1	119620-14401	ROD, PUSH	6							
3	1	119629-14580	CAMSHAFT ASSY	1							
4	2	119620-02450	BEARING, THRUST	1							
7	2	119620-14100	GEAR, CAMSHAFT	1							
8	2	22512-040120	KEY, 4X 12	1							
9	1	119660-25022	RETAINER	1							
10	1	119660-25052	SHAFT, IDLE	1							
11	1	119620-25102	GEAR ASSY, IDLE	1							
13	2	119620-25912	BUSH	1							1
15	1	22242-000200	RING, 20	1							
16	1	26106-060122	BOLT, M6X 12 PLATED	3							
17	1	119660-01821	BEARING, FUEL CAM	1							
18	1	719660-14590	CAMSHAFT	1							
22	2	22512-040120	KEY, 4X 12	1							
23	2	24102-063034	BEARING, BALL 6303U	1							
24	1	24101-062034	BEARING, BALL 6203	1							
25	1	26106-060162	BOLT, M6X 16 PLATED	3							
26	1	26587-080102	SCREW, M8X10	1							
27	1	119650-26001	GEAR ASSY, PUMP	1							
29	2	129350-26490	BEARING, BALL 16005	1							
30	2	24104-060054	BEARING, BALL 6005UU	1							
31	1	124240-01883	GASKET	1							
32	1	119866-26010	PUMP ASSY, HYDRAULIC	1							
33	1	22137-080000	WASHER, 8	2							
34	1	26106-080202	BOLT, M8X 20 PLATED	1							
35	1	26106-080702	BOLT, M8X 70 PLATED	1							
36	1	26116-081302	BOLT, M8X130 PLATED	2							
37	1	26366-080002	NUT, M8	3							

Remarks

(1) REPAIR PART.

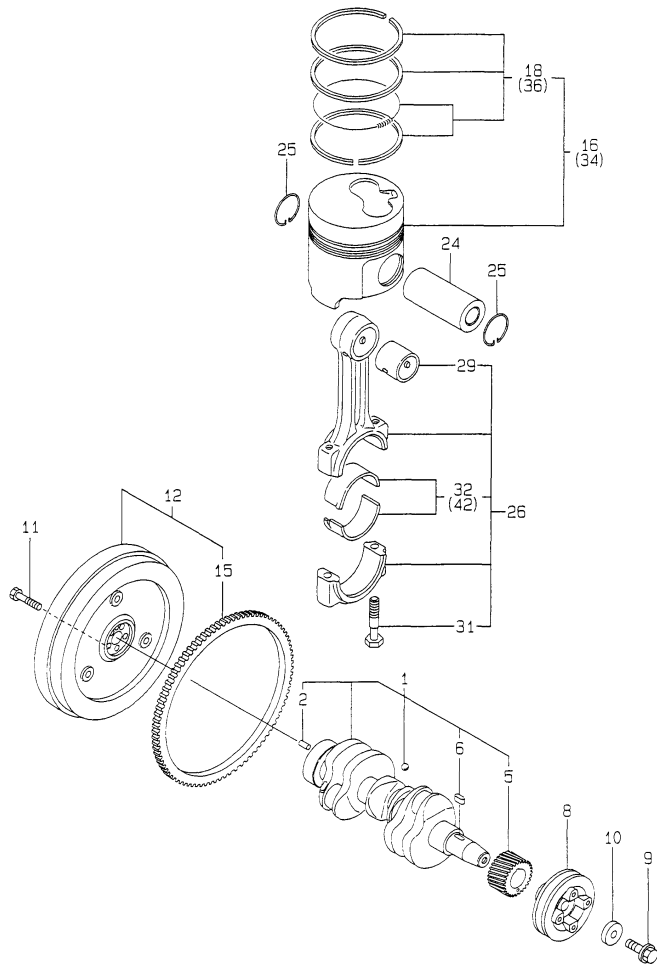
N:Old $\xrightarrow{\text{Yes}}$ New, Q:Old $\xrightarrow{\text{No}}$ New, R:Old $\xrightarrow{\text{Yes}}$ New, S:Old $\xrightarrow{\text{No}}$ New, W:Add, Z:Discontinued, F:Interchangeable by set, K:Q'ty Change

Fig.8. CRANKSHAFT & PISTON

(A)=3TNE74-KBS
(B)=
(C)=

(D)=
(E)=
(F)=

Y00D6360
3TNE74-KBS



No.	Lev.	Parts No.	Description	Q'ty						I	R
				(A)	(B)	(C)	(D)	(E)	(F)		
1	1	119623-21700	CRANKSHAFT ASSY	1							
2	2	129100-01580	PIN, M8X16	1							
5	2	119644-21200	GEAR, CRANKSHAFT	1							
6	2	22512-040120	KEY, 4X 12	1							
8	1	119660-21651	V-PULLEY	1							
9	1	119621-21680	BOLT, FLANGE 12X1.25	1							
10	1	119620-21941	WASHER	1							
11	1	119620-21500	BOLT, FLYWHEEL	5							
12	1	119656-21591	FLYWHEEL ASSY	1							
15	2	129350-21600	GEAR, RING	1							
16	1	119623-22080	PISTON ASSY	3							
18	2	119623-22500	RING SET, PISTON	3							
24	1	114350-22301	PIN, PISTON D=21	3							
25	1	22252-000210	RING, 21	6							
26	1	719620-23100	ROD ASSY, CONNECTING	3							
29	2	119620-23910	BEARING, PISTON PIN	3							1
31	2	105225-23200	BOLT, CONNECTING ROD	6							
32	2	719620-23600	BEARING, CRANK PIN	3							
34	1	119623-22900	PISTON ASSY, 0.25 OS	3							2
36	2	119623-22950	RING SET, 0.25 OS	3							2
42	1	719620-23610	BEARING ASSY, 0.25	3							3

Remarks

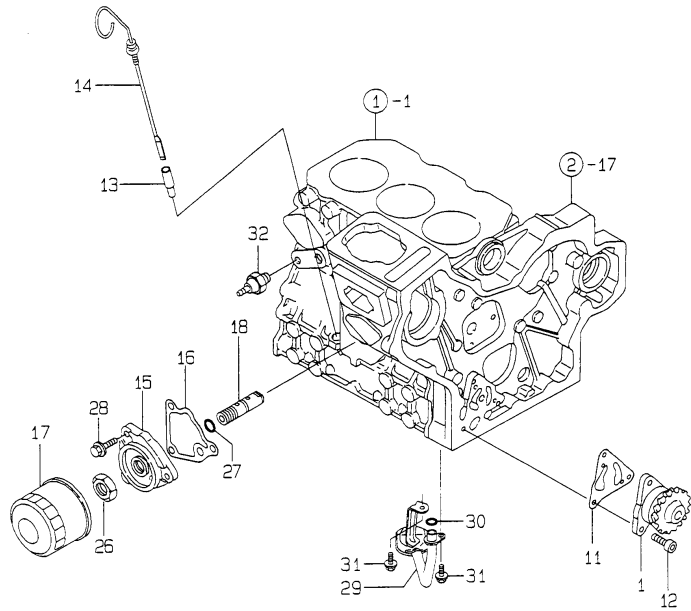
- (1) REPAIR PART.
- (2) OVER-SIZE(O.S=0.25)PART.
- (3) UNDER-SIZE(U.S=0.25)PART.

Fig.9. LUB.OIL SYSTEM

Y0006360
3TNE74-KBS

(A)=3TNE74-KBS
(B)=
(C)=

(D)=
(E)=
(F)=



No.	Lev.	Parts No.	Description	Q'ty						I	R
				(A)	(B)	(C)	(D)	(E)	(F)		
1	1	119660-32001	PUMP ASSY, OIL	1							
11	1	119660-32020	GASKET, PUMP	1							
12	1	26450-060202	BOLT, M6X 20	3							
13	1	121520-34810	GUIDE, DIPSTICK	1							
14	1	129132-34800	DIPSTICK, OIL	1							
15	1	119660-35102	BRACKET, FILTER	1							
16	1	119660-35113	GASKET	1							
17	1	119305-35150	FILTER, OIL	1							
18	1	119660-35300	VALVE ASSY, CONTROL	1							
26	1	129150-35350	NUT	1							
27	1	24311-000160	O-RING, 1AP16.0	1							
28	1	26106-080202	BOLT, M8X 20 PLATED	3							
29	1	119600-35091	PIPE ASSY, OIL INLET	1							
30	1	119209-35030	O-RING, P11	1							
31	1	26106-060102	BOLT, M6X 10 PLATED	2							
32	1	124160-39450	SWITCH, 0.5KG	1							

Fig.10. COOLING WATER SYSTEM

(A)=3TNE74-KBS

(B)=

(C)=

(D)=

(E)=

(F)=

No.	Lev.	Parts No.	Description	Q'ty						I	R
				(A)	(B)	(C)	(D)	(E)	(F)		
1	1	119660-42005	PUMP ASSY, WATER	1							
10	2	119620-42320	O-RING	1							
11	2	23871-030000	PLUG, R03	1							
13	1	119620-42020	GASKET, WATER PUMP	1							
14	1	26106-080452	BOLT, M8X 45 PLATED	4							
15	1	119640-42290	V-BELT, FM36.5	1							
16	1	129350-49530	COVER, THERMOSTAT	1							
17	1	129350-49541	GASKET	1							
18	1	129350-49800	THERMOSTAT, 71	1							
19	1	26106-080202	BOLT, M8X 20 PLATED	2							
20	1	124465-44950	GASKET, 16	2							
21	1	121450-42450	PLUG, M16	1							
22	1	121550-49111	JOINT, PT1/4	1							
23	1	121250-44901	SWITCH, 110	1							
24	1	119600-44500	RADIATOR	1							
25	2	124450-44590	CAP, RADIATOR	1							
26	1	124450-44510	TANK ASSY, SUB	1							
28	2	124450-44530	CAP	1							
29	2	124450-44560	RETAINER	1							
30	2	23061-070230	PIPE, 7X 230	1							
31	1	121470-44540	LABEL, SUB-TANK	1							
32	1	124450-44550	BAND	1							
33	1	121256-44600	BRACKET, SUB TANK	1							
34	1	121400-44640	ABSORBER	2							
35	1	119645-49010	PIPE, WATER	1							
36	1	119645-49020	PIPE, WATER	1							
37	1	129150-49100	COCK ASSY, 3-WAY	1							
38	2	129150-49080	COCK, DRAIN	1							
42	1	171351-49170	HOSE, DRAIN	1							
43	1	124766-59050	CLIP, HOSE 12	4							
44	1	23010-038000	CLAMP, 38	4							
45	1	119660-42350	V-PULLEY	1							
46	1	124251-44740	PLATE	1							
47	1	124574-44761	SPACER, FAN	1							
48	1	26106-060202	BOLT, M6X 20 PLATED	4							
49	1	171301-44560	PROTECTOR, FAN	1							

Y00D6360
3TNE74-KBS

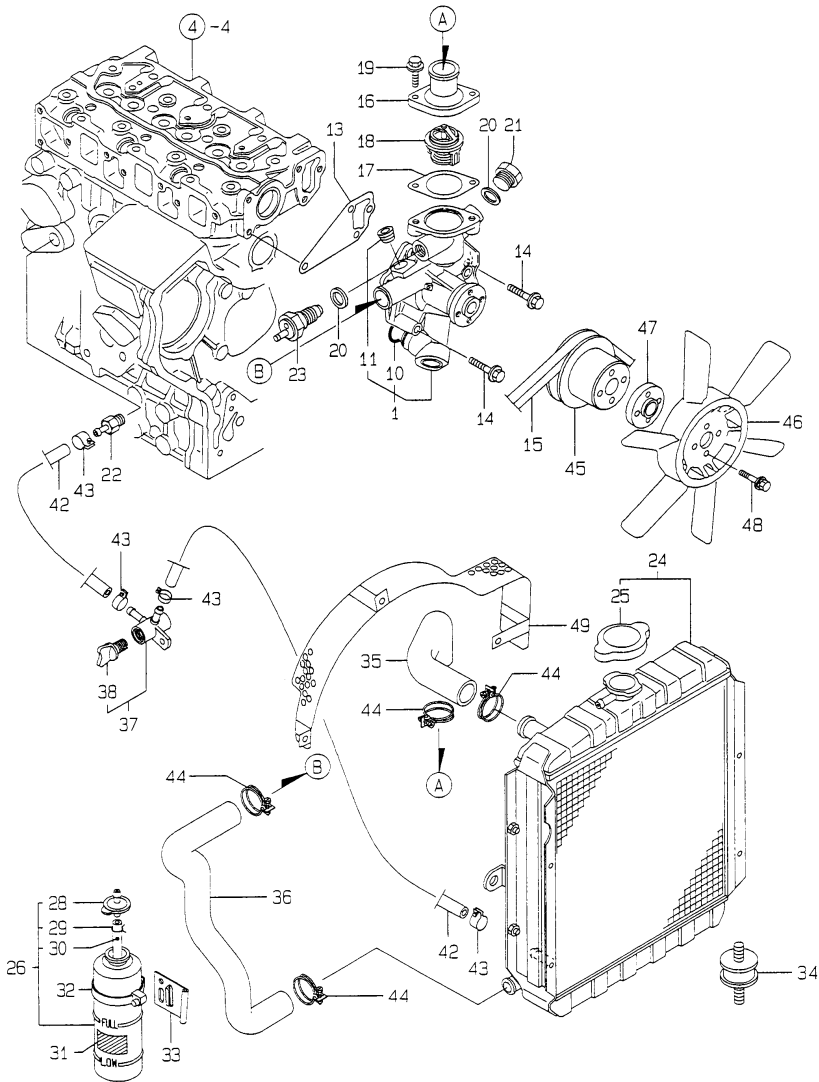
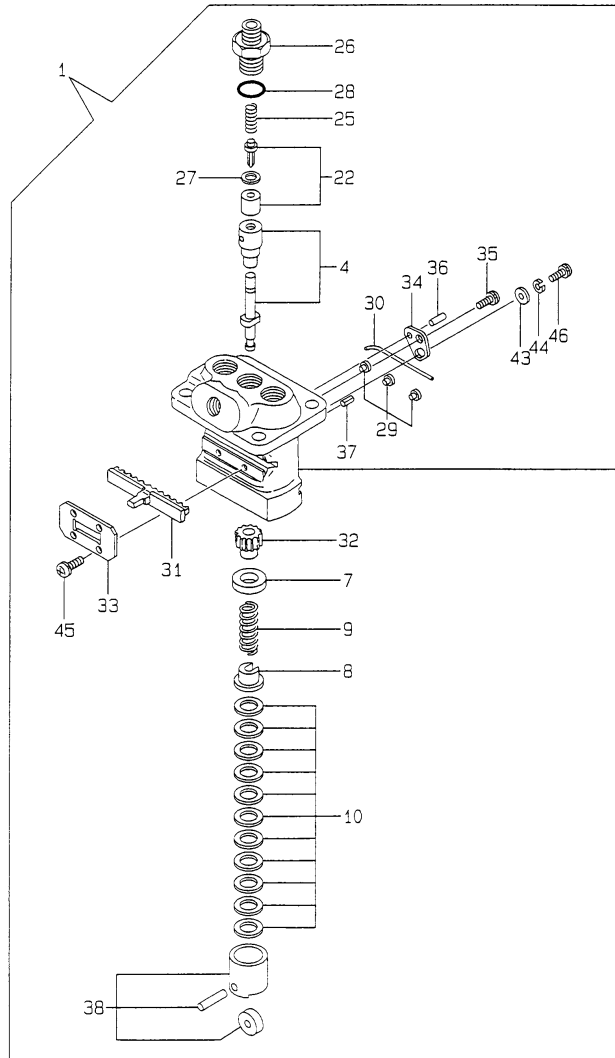


Fig.11. FUEL INJECTION PUMP

Y00D6360
3TNE74-KBS



(A)=3TNE74-KBS
(B)=
(C)=

(D)=
(E)=
(F)=

No.	Lev.	Parts No.	Description	Q'ty						I	R
				(A)	(B)	(C)	(D)	(E)	(F)		
1	1	719621-51100	PUMP ASSY, INJECTION	1							
4	2	119620-51101	PLUNGER ASSY	3							
7	2	119620-51170	RETAINER, SPRING A	3							
8	2	119620-51180	RETAINER, SPRING B	3							
9	2	119620-51190	SPRING, PLUNGER	3							
10	2	119620-51250	SHIM SET	3							
22	2	119620-51300	VALVE ASSY, DELIVERY	3							
25	2	105546-51330	SPRING, DELIVERY	3							
26	2	119620-51340	HOLDER, DELIVERY	3							
27	2	119620-51350	GASKET	3							
28	2	119620-51370	O-RING	3							
29	2	119620-51450	PIECE	3							
30	2	119620-51461	PIN	1							
31	2	119660-51500	RACK, CONTROL	1							
32	2	119620-51510	PINION	3							
33	2	119660-51530	RETAINER, RACK	1							
34	2	119620-51650	PLATE	2							
35	2	119620-51660	SCREW	2							
36	2	119620-51670	PIN	2							
37	2	119620-51680	PIN	1							
38	2	119620-51700	TAPPET ASSY	3							
43	2	22137-040000	WASHER, 4	2							
44	2	22217-040000	WASHER, SPRING 4	2							
45	2	26022-040082	SCREW, M4X 8	4							
46	2	26587-040102	SCREW, M4X10	2							

Fig.12. GOVERNOR

(A)=3TNE74-KBS

(B)=

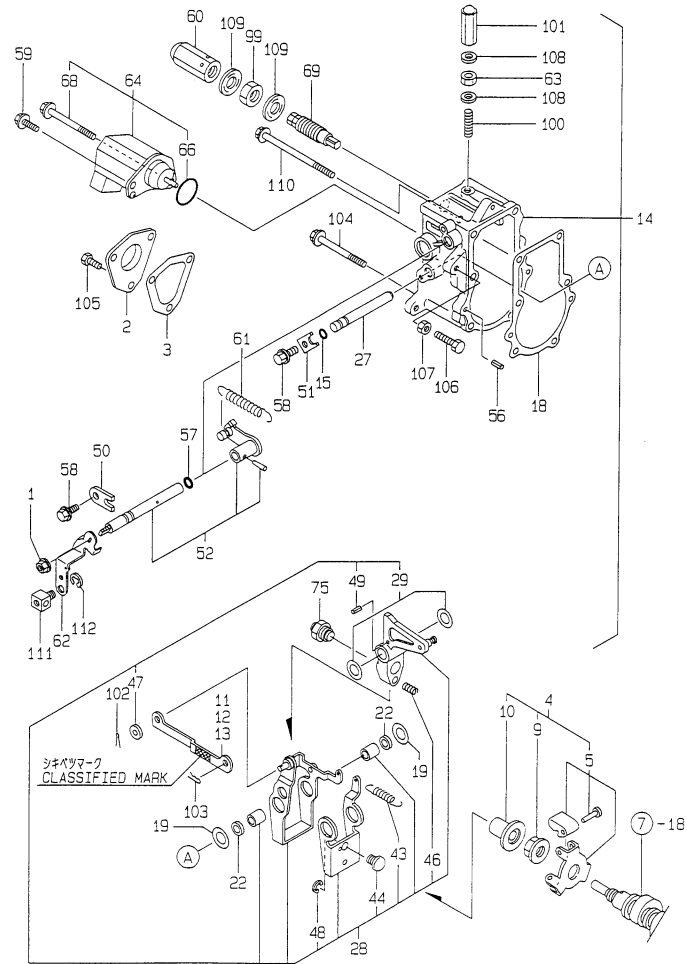
(C)=

(D)=

(E)=

(F)=

Y00D6360
3TNE74-KBS



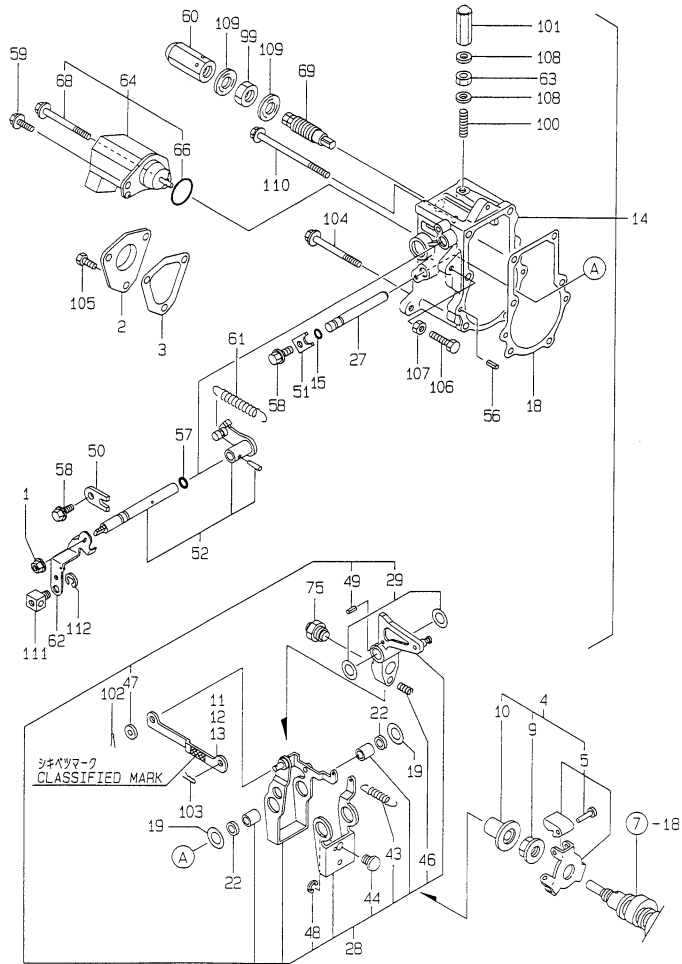
No.	Lev.	Parts No.	Description	Q'ty						I	R
				(A)	(B)	(C)	(D)	(E)	(F)		
1	1	194990-22050	NUT, M8	1							
2	1	119660-61060	COVER, GOVERNOR CASE	1							
3	1	119660-61071	GASKET	1							
4	1	119600-61100	DRIVE ASSY	1							
5	2	119600-61200	WEIGHT ASSY, GOVERNOR	1							
9	2	119660-61300	NUT	1							
10	2	119660-61341	SLEEVE	1							
11	1	119660-61121	LINK, NO MARK	1							1
12	1	119660-61140	LINK, MARK :2	1							1
13	1	119660-61150	LINK, MARK :3	1							1
14	1	119632-61200	CASE ASSY, GOVERNOR	1							
15	2	129155-51280	O-RING, S6	1							
18	2	119660-61052	GASKET	1							
19	2	119660-61460	SHIM SET	1							
22	2	129155-61480	SPACER ASSY	2							
27	2	119660-61491	SHAFT	1							
28	2	119232-61510	LEVER ASSY, GOVERNOR	1							
29	3	174307-51700	SHIM SET	2							
43	3	119232-61540	SPRING	1							
44	3	119600-61541	SHIFTER	1							
46	3	119660-61651	SPRING, STARTING	1							
47	3	22117-040000	WASHER, 4	1							
48	3	22272-000040	RING, E- 4	1							
49	3	22351-030014	PIN, SPRING 3.0X14	1							
50	2	119600-61900	RETAINER, SHAFT	1							
51	2	119660-61901	RETAINER, SHAFT	1							
52	2	119285-66080	SHAFT ASSY	1							
56	2	22351-040010	PIN, SPRING 4.0X10	2							
57	2	24341-000070	O-RING, 1AS7.0	1							
58	2	26106-060102	BOLT, M6X 10 PLATED	2							
59	1	121465-59950	BOLT, M6X16	1							
60	1	129100-61930	NUT, CAP	1							
61	1	119600-66020	SPRING, REGULATOR	1							
62	1	119640-66051	HANDLE, REGULATOR	1							
63	1	124550-66370	NUT, M6	1							
64	1	119233-66511	STOPPER ASSY	1							
66	2	24341-000280	O-RING, 1AS28.0	1							
68	2	26106-060952	BOLT, M6X 95 PLATED	1							
69	1	119629-66510	LIMITER ASSY, FUEL	1							
75	1	119654-66700	ANGLEICH ASSY	1							
99	1	26776-120002	NUT, LOCK M12	1							
100	1	121575-66830	SCREW	1							
101	1	119600-66840	NUT, CAP	1							
102	1	22360-040000	PIN, SNAP 4	1							
103	1	22360-060000	PIN, SNAP 6	1							
104	1	26106-060702	BOLT, M6X 70 PLATED	4							
105	1	26116-050102	BOLT, M5X 10 PLATED	3							
106	1	26116-060304	BOLT, M6X 30 PLATED	1							
107	1	26756-060002	NUT, LOCK M6	1							
108	1	22190-060003	SEAL WASHER 6	2							
109	1	22190-120002	WASHER, SEAL 12	2							

Remarks

(1) SELECTIVE PARTS: CERTAIN THE CLASSIFICATION MARK, THEN PLACE YOUR ORDER.(REFER TO ILLUSTRATION).

Fig.12. GOVERNOR

Y00D6360
3TNE74-KBS



(A)=3TNE74-KBS
(B)=
(C)=

(D)=
(E)=
(F)=

No.	Lev.	Parts No.	Description	Q'ty						I	R
				(A)	(B)	(C)	(D)	(E)	(F)		
110	1	26106-060752	BOLT, M6X 75 PLATED	2							
111	1	124066-03770	RETAINER	1							
112	1	22272-000050	RING, E- 5	1							

Remarks

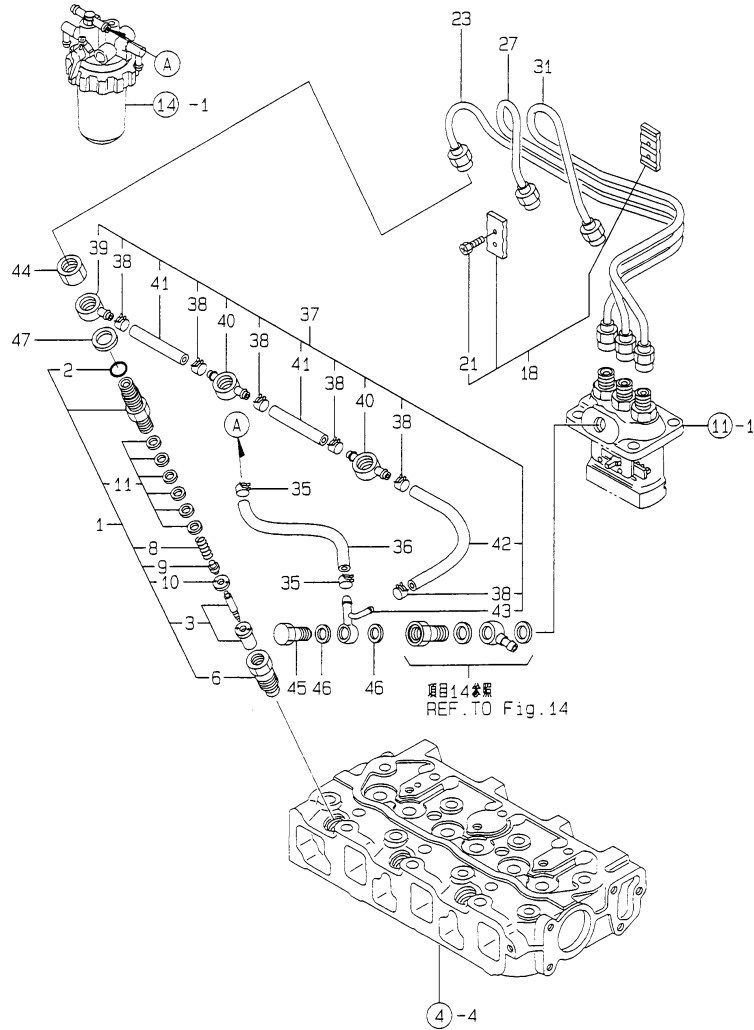
(1) SELECTIVE PARTS: CERTAIN THE CLASSIFICATION MARK, THEN PLACE YOUR ORDER.(REFER TO ILLUSTRATION).

Fig.13. FUEL INJECTION VALVE

(A)=3TNE74-KBS
(B)=
(C)=

(D)=
(E)=
(F)=

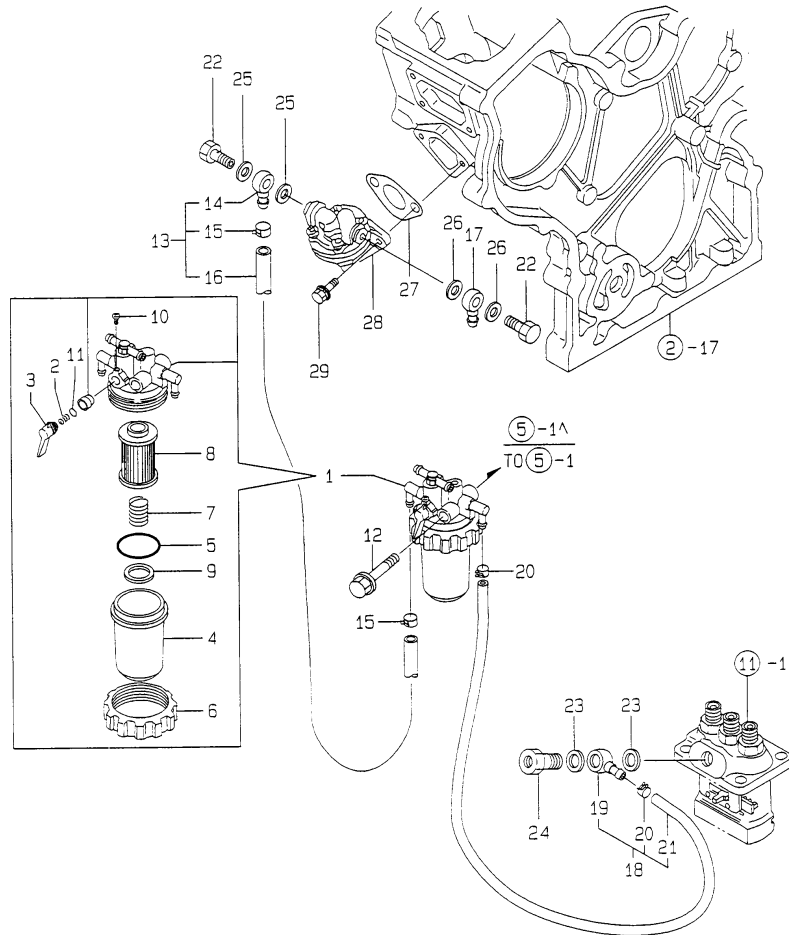
Y00D6360
3TNE74-KBS



No.	Lev.	Parts No.	Description	Q'ty						I	R
				(A)	(B)	(C)	(D)	(E)	(F)		
1	1	719620-53700	VALVE ASSY,INJECTION	3							
2	2	129155-61830	O-RING, S10	3							
3	2	119620-53000	VALVE ASSY,INJECTION	3							
6	2	119620-53080	NUT, NOZZLE	3							
8	2	119620-53120	SPRING, NOZZLE	3							
9	2	114250-53130	SEAT, SPRING	3							
10	2	119620-53140	SPACER, VALVE STOP	3							
11	2	114250-53400	SHIM SET	3							
18	1	129150-59120	RETAINER, PIPE	1							
21	2	129150-59131	BOLT, M4X14	2							
23	1	119620-59811	PIPE ASSY, INJECTION	1							
27	1	119620-59821	PIPE ASSY, INJECTION	1							
31	1	119620-59831	PIPE ASSY, INJECTION	1							
35	1	124766-59050	CLIP, HOSE 12	2							
36	1	121250-59080	PIPE, FUEL D12X180	1							
37	1	119642-59540	PIPE ASSY, RETURN	1							
38	2	124066-59100	CLIP, HOSE 8	6							
39	2	119260-59520	JOINT	1							
40	2	119260-59530	JOINT	2							
41	2	105025-59550	PIPE, FUEL RETURN	2							
42	2	119642-59550	PIPE, FUEL RETURN	1							
43	2	119642-59570	JOINT, OVER FLOW	1							
44	1	119620-59700	NUT, NOZZLE	3							
45	1	124550-59820	BOLT, PIPE JOINT M8	1							
46	1	23414-080012	GASKET, 8X1.0	2							
47	1	23414-140000	GASKET, 14X1.0	3							

Fig.14. FUEL LINE

Y00D6360
3TNE74-KBS



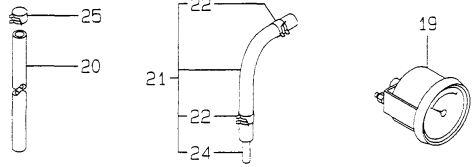
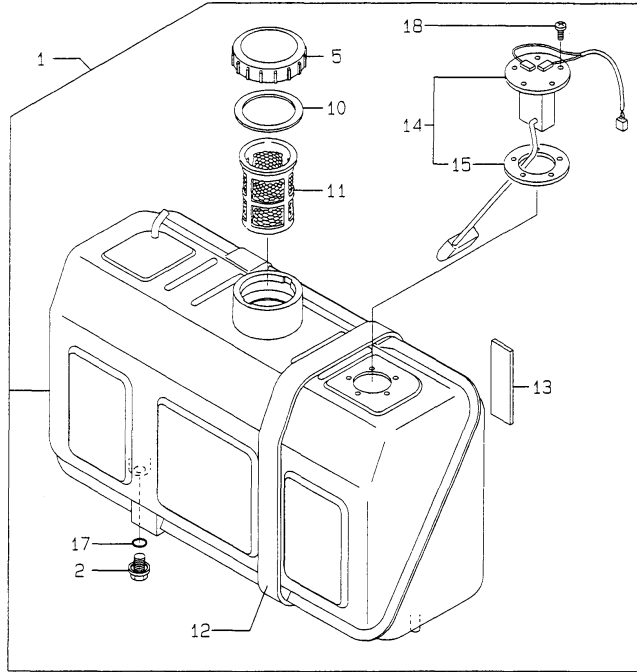
(A)=3TNE74-KBS
(B)=
(C)=

(D)=
(E)=
(F)=

No.	Lev.	Parts No.	Description	Q'ty						I	R
				(A)	(B)	(C)	(D)	(E)	(F)		
1	1	129053-55620	FILTER ASSY, FUEL	1							
2	2	104200-55330	SPRING, VALVE	1							
3	2	119810-55340	LEVER	1							
4	2	129107-55510	CUP, STRAINER	1							
5	2	102103-55520	O-RING	1							
6	2	110250-55610	RING, RETAINING	1							
7	2	121250-55620	SPRING	1							
8	2	119810-55650	ELEMENT	1							
9	2	121257-55731	FLOAT	1							
10	2	104200-55750	SCREW, M4	1							
11	2	24311-240100	O-RING, 1AP10A	1							
12	1	26106-080652	BOLT, M8X 65 PLATED	1							
13	1	119632-59020	PIPE ASSY, FUEL	1							
14	2	104264-59030	JOINT, PIPE 8	1							
15	2	124766-59050	CLIP, HOSE 12	2							
16	2	124323-59100	PIPE, FUEL D12X600	1							
17	1	104264-59030	JOINT, PIPE 8	1							
18	1	119260-59031	PIPE, FUEL	1							
19	2	101304-59020	JOINT, PIPE 12	1							
20	2	124766-59050	CLIP, HOSE 12	2							
21	2	124767-59080	PIPE, FUEL	1							
22	1	105582-59150	BOLT, PIPE JOINT	2							
23	1	104200-59170	GASKET, 12	2							
24	1	119650-59200	BOLT, PIPE JOINT M12	1							
25	1	22190-080002	WASHER, SEAL 6	2							
26	1	22190-080002	WASHER, SEAL 6	2							
27	1	121520-01851	GASKET	1							
28	1	119660-52020	PUMP ASSY, FUEL FEED	1							
29	1	26014-060202	BOLT, M6X 20	2							

Fig.15. FUEL TANK

Y0006360
3TNE74-KBS



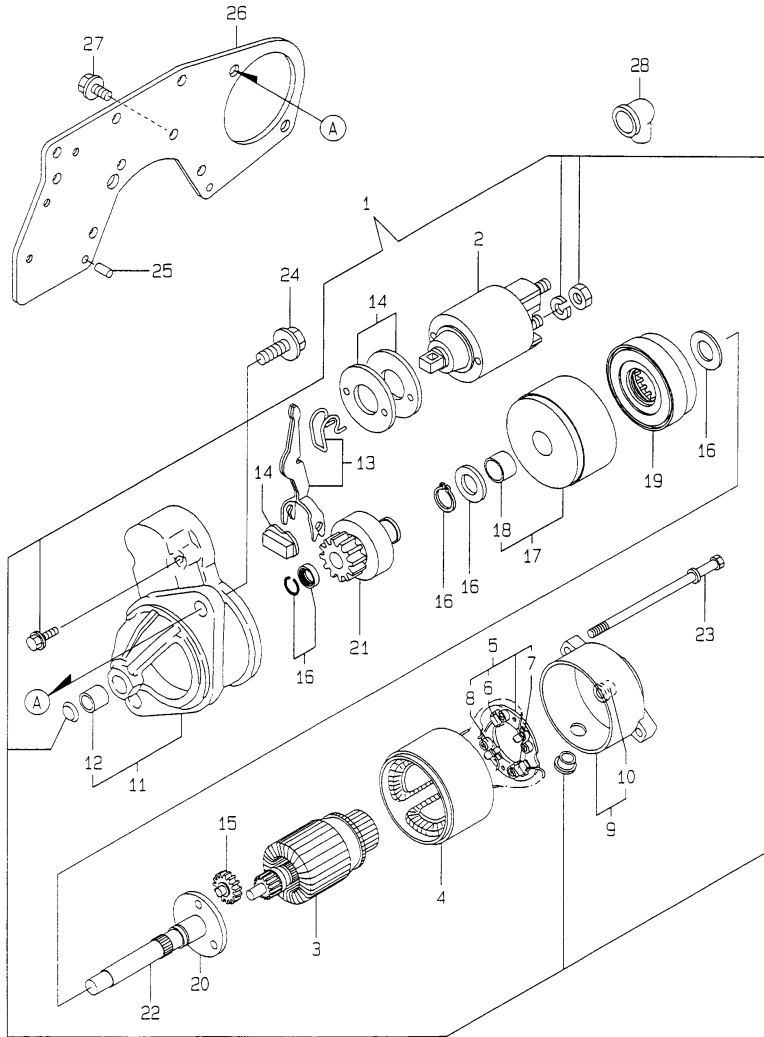
(A)=3TNE74-KBS
(B)=
(C)=

(D)=
(E)=
(F)=

No.	Lev.	Parts No.	Description	Q'ty						I	R
				(A)	(B)	(C)	(D)	(E)	(F)		
1	1	119687-55010	TANK ASSY, FUEL	1							
2	2	124060-01640	PLUG, M12	1							
5	2	101168-55040	CAP ASSY	1							
10	2	101504-55051	GASKET	1							
11	2	101504-55101	STRAINER, FUEL	1							
12	2	121400-55830	SEAT, RUBBER	2							
13	2	121400-55870	FELT, FUEL TANK	2							
14	2	198290-56600	GAUGE ASSY, FUEL	1							
15	3	194420-56620	GASKET	1							
17	2	24311-000140	O-RING, 1AP14.0	1							
18	2	26557-050122	SCREW, M5X12	5							
19	1	194697-56110	METER ASSY, FUEL OIL	1							
20	1	121454-59090	PIPE, FUEL D12X700	1							
21	1	119840-59601	BEND	1							
22	2	124766-59050	CLIP, HOSE 12	2							
24	2	119840-59621	JOINT	1							
25	1	23000-013000	CLAMP, 13	6							

Fig.16. STARTING MOTOR

Y00D6360
3TNE74-KBS



(A)=3TNE74-KBS

(B)=

(C)=

(D)=

(E)=

(F)=

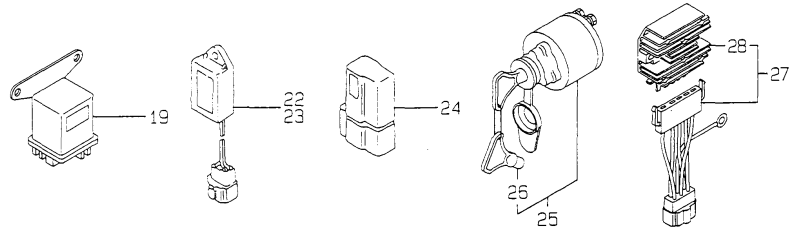
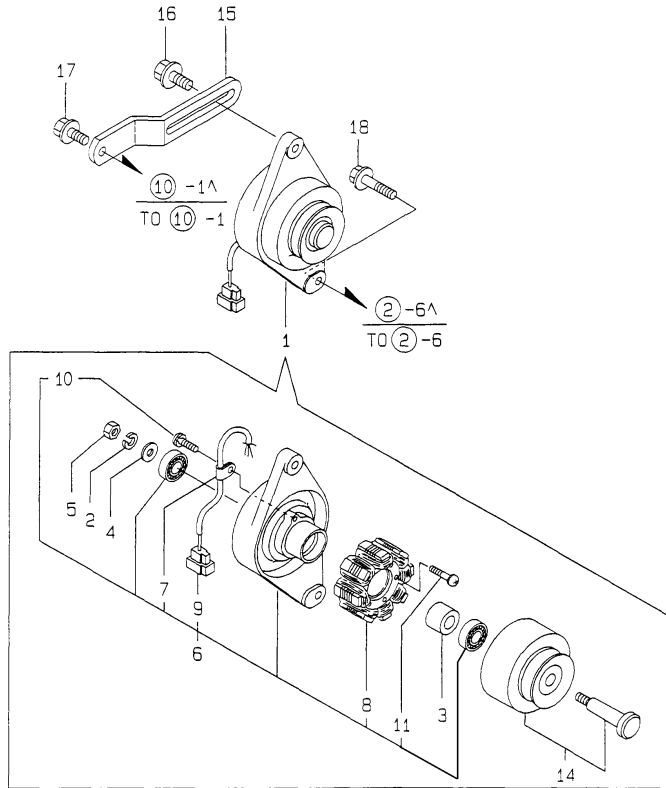
No.	Lev.	Parts No.	Description	Q'ty						I	R
				(A)	(B)	(C)	(D)	(E)	(F)		
1	1	129698-77010	STARTER, 12V1.2KW	1							
2	2	124298-77020	SWITCH, MAGNETIC	1							
3	2	129698-77100	ARMATURE ASSY	1							
4	2	129698-77110	COIL ASSY, FIELD	1							
5	2	129698-77120	HOLDER ASSY, BRUSH	1							
6	3	129698-77140	BRUSH(+) SET	1							
7	3	129698-77130	BRUSH (-)	2							
8	3	129698-77150	SPRING, BRUSH	4							
9	2	129698-77160	COVER ASSY, REAR	1							
10	3	129698-77170	BEARING	1							
11	2	129698-77260	HOUSING ASSY, GEARS	1							
12	3	X2114535200	METAL, STARTER	1							
13	2	129698-77270	LEVER SET, SHIFT	1							
14	2	129698-77280	COVER KIT	1							
15	2	129698-77240	GEAR	3							
16	2	129698-77250	STOPPER SET	1							
17	2	129698-77180	BRACKET	1							
18	3	129698-77190	BRACKET	1							
19	2	129698-77200	GEAR, INTERNAL	1							
20	2	129698-77210	BRACKET	1							
21	2	129698-77220	PINION ASSY	1							
22	2	129698-77230	SHAFT(PINION	1							
23	2	124195-77770	THROUGH BOLT	2							
24	1	26116-120302	BOLT, M12X 30 PLATED	2							
25	1	129100-01580	PIN, M8X16	2							
26	1	119656-77041	BRACKET, STARTER	1							
27	1	26206-100202	BOLT, M10X 20 PLATED	6							
28	1	124550-77030	COVER, TERMINAL	1							

Fig.17. GENERATOR

(A)=3TNE74-KBS
(B)=
(C)=

(D)=
(E)=
(F)=

Y00D6360
3TNE74-KBS



No.	Lev.	Parts No.	Description	Q'ty						I	R
				(A)	(B)	(C)	(D)	(E)	(F)		
1	1	129150-77202	GENERATOR	1							
1-1	1	129150-77203	DINAMO ASSY	1							N
(A=EXXXXX)											
2	2	XM219230000	WASHER, SPRING	1							
3	2	XM329830000	COLLAR	1							
4	2	XM860250000	WASHER, 10	1							
5	2	XM863720000	NUT	1							
6	2	129150-77210	PLATE ASSY	1							
7	3	XM069000000	CLAMP	1							
8	3	XM081780000	STATOR	1							
9	3	XM178780000	COUPLER	1							
10	3	XYSPS400800	SCREW	1							
11	3	XYSPS402400	SCREW	2							
14	2	129150-77230	FLYWHEEL ASSY	1							
14-1	2	129150-77280	FLYWHEEL ASSY	1							N
(A=EXXXXX)											
15	1	119660-77330	ADJUSTER	1							
16	1	26014-080252	BOLT, M8X 25	1							
17	1	26106-080162	BOLT, M8X 16 PLATED	1							
18	1	26106-100302	BOLT, M10X 30 PLATED	1							
19	1	119650-77910	RELAY ASSY, GLOW	1							
22	1	119632-77920	TIMER	1							
23	1	128300-77920	TIMER	1							
24	1	119643-66900	DIODE	1							
25	1	121575-91250	SWITCH, KEY	1							
26	2	123482-91291	SWITCH, KEY	2							
27	1	119865-77700	LIMITER ASSY,CURRENT	1							
28	2	129150-77711	LIMITER, CURRENT 20A	1							

Fig.18. GASKET SET

(A)=3TNE74-KBS

(B)=

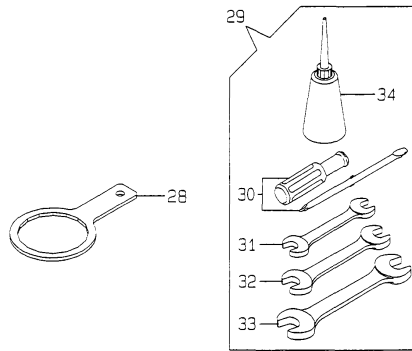
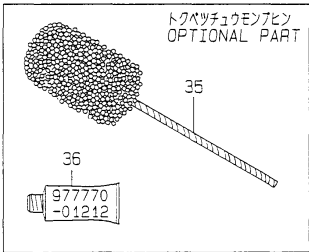
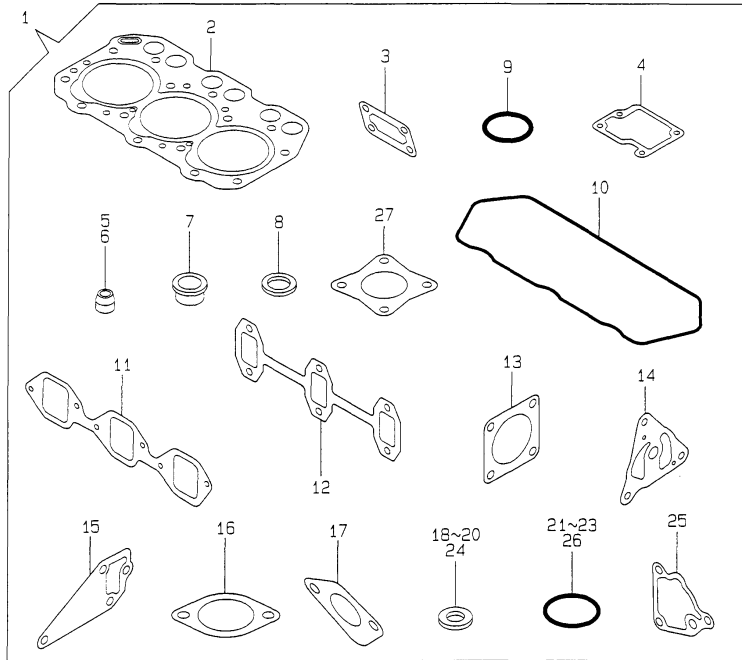
(C)=

(D)=

(E)=

(F)=

Y00D6360
3TNE74-KBS



No.	Lev.	Parts No.	Description	Q'ty						I	R
				(A)	(B)	(C)	(D)	(E)	(F)		
1	1	719653-92610	GASKET SET	1							1
2	2	119623-01330	GASKET, HEAD	1							
3	2	119660-01562	GASKET	1							
4	2	119620-03031	GASKET	1							
5	2	124950-11340	SEAL, VALVE STEM	3							
6	2	124160-11340	SEAL, VALVE STEM	3							
7	2	119600-11450	PROTECTOR, NOZZLE	3							
8	2	119600-11460	GASKET, NOZZLE	6							
9	2	24311-000320	O-RING, 1AP32.0	2							
10	2	119620-11310	GASKET, BONNET	1							
11	2	119620-12111	GASKET, MANIFOLD	1							
12	2	119620-13110	GASKET	1							
13	2	124240-01883	GASKET	1							
14	2	119660-32020	GASKET, PUMP	1							
15	2	119620-42020	GASKET, WATER PUMP	1							
16	2	129350-49541	GASKET	1							
17	2	121520-01851	GASKET	1							
18	2	124465-44950	GASKET, 16	2							
19	2	104200-59170	GASKET, 12	2							
20	2	23414-140000	GASKET, 14X1.0	3							
21	2	24311-000120	O-RING, 1AP12.0	4							
22	2	129155-61830	O-RING, S10	3							
23	2	24341-000240	O-RING, 1AS24.0	1							
24	2	23414-220000	GASKET, 22X1.0	2							
25	2	119660-35113	GASKET	1							
26	2	24341-000250	O-RING, 1AS25.0	1							
27	2	121000-13201	GASKET, SILENCER	2							
28	1	119332-92751	WRENCH, FILTER 68	1							
29	1	171001-93110	BOX, TOOL	1							
30	2	104200-92350	DRIVER, SCREW	1							
31	2	28110-100120	SPANNER, 10X12	1							
32	2	28110-140170	SPANNER, 14X17	1							
33	2	28110-190220	SPANNER, 19X22	1							
34	2	28210-000140	OILER	1							
35	1	129400-92400	FLEX HORN	1							1
36	1	977770-01212	GASKET, LIQUID	1							1

Remarks

(1) OPTIONAL PART.

Parts No. Index

Parts No.	Fig. No.	Ref. No.
101168-55040	15	5
101304-59020	14	19
101504-55051	15	10
101504-55101	15	11
102103-55520	14	5
104200-55330	14	2
104200-55750	14	10
104200-59170	14	23
	18	19
104200-92350	18	30
104211-11370	4	21
104264-59030	14	14
		17
105010-11230	4	32
		36
105025-59550	13	41
105225-23200	8	31
105546-51330	11	25
105582-59150	14	22
110250-55610	14	6
114250-53130	13	9
114250-53400	13	11
114350-22301	8	24
119209-35030	9	30
119230-12230	5	4
119230-12240	5	7
119232-61510	12	28
119232-61540	12	43
119233-66511	12	64
119260-07900	4	61
119260-59031	14	18
119260-59520	13	39
119260-59530	13	40
119285-66080	12	52
119305-35150	9	17
119332-92751	18	28
119600-01050	1	5
119600-01722	3	6
119600-01770	3	10
119600-11450	4	22
	18	7
119600-11460	4	23
	18	8
119600-35091	9	29
119600-44500	10	24
119600-61100	12	4
119600-61200	12	5
119600-61541	12	44
119600-61900	12	50
119600-66020	12	61

Parts No.	Fig. No.	Ref. No.
119600-66840	12	101
119620-01200	1	23
119620-01620	3	1
119620-01800	2	4
119620-02020	1	6
119620-02410	1	21
119620-02450	7	4
119620-03020	4	45
119620-03031	4	46
	18	4
119620-11110	4	15
119620-11120	4	16
119620-11180	4	17
119620-11200	4	25
119620-11240	4	26
119620-11260	4	29
119620-11280	4	30
119620-11310	4	49
	18	10
119620-11330	4	44
119620-11350	4	41
119620-11390	4	50
119620-11801	4	8
119620-12111	5	2
	18	11
119620-13110	6	2
	18	12
119620-14100	7	7
119620-14200	7	1
119620-14401	7	2
119620-21500	8	11
119620-21941	8	10
119620-23910	8	29
119620-25102	7	11
119620-25912	7	13
119620-42020	10	13
	18	15
119620-42320	10	10
119620-51101	11	4
119620-51170	11	7
119620-51180	11	8
119620-51190	11	9
119620-51250	11	10
119620-51300	11	22
119620-51340	11	26
119620-51350	11	27
119620-51370	11	28
119620-51450	11	29
119620-51461	11	30
119620-51510	11	32

Parts No.	Fig. No.	Ref. No.
119620-51650	11	34
119620-51660	11	35
119620-51670	11	36
119620-51680	11	37
119620-51700	11	38
119620-53000	13	3
119620-53080	13	6
119620-53120	13	8
119620-53140	13	10
119620-59700	13	44
119620-59811	13	23
119620-59821	13	27
119620-59831	13	31
119620-77820	4	57
119621-21680	8	9
119623-01330	1	24
	18	2
119623-01950	2	26
119623-11100	4	14
119623-21700	8	1
119623-22080	8	16
119623-22500	8	18
119623-22900	8	34
119623-22950	8	36
119629-14580	7	3
119629-66510	12	69
119631-12650	5	15
119631-13101	6	1
119632-59020	14	13
119632-61200	12	14
119632-77920	17	22
119640-13500	6	8
119640-42290	10	15
119640-66051	12	62
119640-77250	2	6
119642-59540	13	37
119642-59550	13	42
119642-59570	13	43
119643-66900	17	24
119644-21200	8	5
119645-12100	5	1
119645-49010	10	35
119645-49020	10	36
119646-39910	3	15
119646-39930	3	17
119650-26001	7	27
119650-59200	14	24
119650-77910	17	19
119654-66700	12	75
119656-21591	8	12

Parts No.	Fig. No.	Ref. No.
119656-77041	16	26
119660-01492	2	17
119660-01510	2	20
119660-01551	2	23
119660-01562	2	24
	18	3
119660-01570	2	25
119660-01590	2	1
119660-01640	3	2
119660-01821	7	17
119660-01911	2	5
119660-21651	8	8
119660-25022	7	9
119660-25052	7	10
119660-32001	9	1
119660-32020	9	11
	18	14
119660-35102	9	15
119660-35113	9	16
	18	25
119660-35300	9	18
119660-42005	10	1
119660-42350	10	45
119660-51500	11	31
119660-51530	11	33
119660-52020	14	28
119660-61052	12	18
119660-61060	12	2
119660-61071	12	3
119660-61121	12	11
119660-61140	12	12
119660-61150	12	13
119660-61300	12	9
119660-61341	12	10
119660-61460	12	19
119660-61491	12	27
119660-61651	12	46
119660-61901	12	51
119660-77330	17	15
119687-55010	15	1
119810-55340	14	3
119810-55650	14	8
119836-39930	3	16
119840-59601	15	21
119840-59621	15	24
119865-77700	17	27
119866-26010	7	32
121000-13201	6	7
	18	27
121023-01550	2	35

Parts No. Index

Parts No.	Fig. No.	Ref. No.
121250-44901	10	23
121250-55620	14	7
121250-59080	13	36
121256-44600	10	33
121257-55731	14	9
121400-44640	10	34
121400-55830	15	12
121400-55870	15	13
121450-01560	2	21
121450-42450	10	21
121454-59090	15	20
121465-12510	5	9
121465-59950	12	59
121470-44540	10	31
121520-01851	14	27
	18	17
121520-34810	9	13
121550-49111	10	22
121575-66830	12	100
121575-91250	17	25
123482-91291	17	26
124060-01640	15	2
124064-12680	5	12
124064-12690	5	13
124066-03770	12	111
124066-59100	13	38
124085-02220	3	4
124160-01751	2	15
	4	62
124160-11340	4	19
	18	6
124160-11360	4	54
124160-39450	9	32
124195-77770	16	23
124240-01883	7	31
	18	13
124251-44740	10	46
124298-77020	16	2
124323-59100	14	16
124450-44510	10	26
124450-44530	10	28
124450-44550	10	32
124450-44560	10	29
124450-44590	10	25
124465-44950	10	20
	18	18
124550-59820	13	45
124550-66370	12	63
124550-77030	16	28
124574-44761	10	47

Parts No.	Fig. No.	Ref. No.
124766-59050	10	43
	13	35
	14	15
		20
	15	22
124767-59080	14	21
124950-11340	4	20
	18	5
124970-12500	5	8
124970-12640	5	10
124970-12660	5	11
124970-12700	5	14
128300-77920	17	23
129053-55620	14	1
129100-01580	8	2
	16	25
129100-61930	12	60
129107-55510	14	4
129132-34800	9	14
129150-35350	9	26
129150-49080	10	38
129150-49100	10	37
129150-59120	13	18
129150-59131	13	21
129150-77202	17	1
129150-77203	17	1 -1
129150-77210	17	6
129150-77230	17	14
129150-77280	17	14 -1
129150-77711	17	28
129155-51280	12	15
129155-61480	12	22
129155-61830	13	2
	18	22
129350-21600	8	15
129350-26490	7	29
129350-49530	10	16
129350-49541	10	17
	18	16
129350-49800	10	18
129400-92400	18	35
129698-77010	16	1
129698-77100	16	3
129698-77110	16	4
129698-77120	16	5
129698-77130	16	7
129698-77140	16	6
129698-77150	16	8
129698-77160	16	9
129698-77170	16	10

Parts No.	Fig. No.	Ref. No.
129698-77180	16	17
129698-77190	16	18
129698-77200	16	19
129698-77210	16	20
129698-77220	16	21
129698-77230	16	22
129698-77240	16	15
129698-77250	16	16
129698-77260	16	11
129698-77270	16	13
129698-77280	16	14
129795-77800	4	56
171001-93110	18	29
171126-12210	5	6
171301-01640	3	11
171301-44560	10	49
171351-49170	10	42
174307-51700	12	29
194420-56620	15	15
194697-56110	15	19
194990-22050	2	33
	6	3
	12	1
198290-56600	15	14
22117-040000	12	47
22137-040000	11	43
22137-080000	7	33
22190-060003	12	108
22190-080002	14	25
		26
22190-120002	12	109
22217-040000	11	44
22242-000120	4	39
22242-000200	7	15
22252-000210	8	25
22272-000040	12	48
22272-000050	12	112
22351-030014	12	49
22351-040010	2	22
	12	56
22351-060012	4	24
22360-040000	12	102
22360-060000	12	103
22512-040120	7	8
		22
	8	6
22857-500100	4	52
23000-013000	15	25
23000-060000	5	5
23010-025000	3	20

Parts No.	Fig. No.	Ref. No.
23010-038000	10	44
23061-070230	10	30
23065-120500	4	1
23414-080012	13	46
23414-140000	13	47
	18	20
23414-220000	3	18
	18	24
23857-180000	3	19
23871-010000	1	11
23871-020000	4	11
23871-030000	10	11
24101-062034	7	24
24102-063034	7	23
24104-060054	7	30
24311-000120	2	7
	4	55
	18	21
24311-000140	15	17
24311-000160	9	27
24311-000320	2	16
	4	63
	18	9
24311-240100	14	11
24341-000070	12	57
24341-000240	2	36
	18	23
24341-000250	3	14
	18	26
24341-000280	12	66
26014-060202	14	29
26014-080252	17	16
26022-040082	11	45
26106-060102	9	31
	12	58
26106-060122	1	22
	3	8
	7	16
26106-060162	2	8
	7	25
26106-060182	2	37
26106-060202	5	3
	10	48
26106-060222	3	5
26106-060302	2	9
26106-060452	3	9
26106-060502	2	10
26106-060602	2	11
		12
26106-060702	12	104

Parts No. Index

Parts No.	Fig. No.	Ref. No.
26106-060752	12	110
26106-060802	2	13
26106-060952	12	68
26106-080142	4	2
		3
26106-080162	17	17
26106-080202	7	34
	9	28
	10	19
26106-080402	6	4
26106-080452	4	42
	10	14
26106-080652	14	12
26106-080702	7	35
26106-100302	17	18
26106-100602	2	14
26116-050102	12	105
26116-060304	12	106
26116-081302	7	36
26116-120302	16	24
26206-100202	16	27
26216-080222	6	5
26216-080552	6	6
26366-060002	2	34
26366-080002	4	43
	7	37
26450-060202	9	12
26557-050122	15	18
26587-040102	11	46
26587-080102	7	26
26756-060002	4	34
		38
	12	107
26776-120002	12	99
26979-050162	4	40
27221-050080	4	12
27231-450000	1	12
27241-120000	1	13
27241-300000	1	14
27241-400000	4	13
27310-070001	4	18
28110-100120	18	31
28110-140170	18	32
28110-190220	18	33
28210-000140	18	34
719620-02800	1	15
719620-02870	1	25
719620-02930	1	18
719620-11650	4	31
719620-11660	4	35

Parts No.	Fig. No.	Ref. No.
719620-23100	8	26
719620-23600	8	32
719620-23610	8	42
719620-53700	13	1
719621-51100	11	1
719623-01560	1	1
719623-11700	4	4
719653-92610	18	1
719660-14590	7	18
977770-01212	2	38
	3	21
	18	36
X2114535200	16	12
XM069000000	17	7
XM081780000	17	8
XM178780000	17	9
XM219230000	17	2
XM329830000	17	3
XM860250000	17	4
XM863720000	17	5
XYSPS400800	17	10
XYSPS402400	17	11

Parts No.	Fig. No.	Ref. No.
-----------	----------	----------

Parts No.	Fig. No.	Ref. No.
-----------	----------	----------