

OCD10-M63100EN

PREFACE

1. This Parts Catalog is the 1st edition of 4TNE88-RTP Diesel Engine for TOYO NOHKI.

Pub. No. : 000Y00D6310

Published : June, 1997

2. Model name

Engine model	Vehicle		Vehicle made by
	Products	Model name	
4TNE88-RTP	POTATO HARVESTER	—	TOYO NOHKI

Directions for the Parts Catalog.

1. This Parts Catalog shows both standard and optional parts.
2. Parts may change without prior notice.
3. The following is an example of the Parts Catalog format.

REF.	LEV.	PARTS NO.	DESCRIPTION	Q'TY						I	R
				(A)	(B)	(C)	(D)	(E)	(F)		
1	1	729595-51390	FUEL INJECTION PUMP	1	1	1	1	1			1
1-1	1	729595-51391	FUEL INJECTION PUMP	1	1	1	1	1		N	1
		(A=E00185) (B=E00200)									
3	2	26022-060162	SCREW M 6X 16	9	9	9	9	9			
3-1	2	26022-060162	SCREW M 6X 16	4	4	4	4	4		K	
		(A=E00156) (B=E00156) (C=E00156) (D=E00156) (E=E00156)									
4	2	129470-51040	CAMSHAFT	1	1	1	1	1			
5	2	122710-51050	BEARING, ROLLER	2	2	2	2	2			
6	2	129470-51060	RETAINER	1	1	1	1	1			

Remarks
(1) BOOST COMPEMSATOR TYPE. OPTIONAL PART, TO E00155,(4JH-DT, 4JH-DTZ

① Ref. No.

The Ref. No. listed may not be in accordance with the illustration Ref. No.

(Ex.) Illustration No.

List Ref No.

1

1

(Before change)

1-1

(After change)

For interchangeable symbols N, R and K, illustrations for new parts may be abbreviated.

② Lev. (Level)

Level indication

The numbers below indicate the level of relativity towards the main part.

1 ----- Main parts (Assembly parts)

2 ----- Sub component included in " 1 ".

3 ----- Sub component included in " 2 ".

Note) Parts that are not for sale are partially illustrated but not listed.

③ Interchangeability Symbol

When a part change takes place, one of the following interchangeability symbols is indicated beside the part.

Symbol	Interchangeability	Contents note
N	Old $\begin{matrix} \leftarrow \text{Yes} \\ \text{No} \rightarrow \end{matrix}$ New	New Part is interchangeable for Old Part but Old Part is not interchangeable for New Part.
Q	Old $\begin{matrix} \leftarrow \text{No} \\ \text{Yes} \rightarrow \end{matrix}$ New	New Part is not interchangeable for Old Part but Old Part is interchangeable for New Part.
R	Old $\begin{matrix} \leftarrow \text{Yes} \\ \text{Yes} \rightarrow \end{matrix}$ New	New/ Old Parts are both interchangeable.
S	Old $\begin{matrix} \leftarrow \text{No} \\ \text{No} \rightarrow \end{matrix}$ New	New/ Old Parts are both not interchangeable.
W		Part newly added.
Z		Part discontinued.
F		Not interchangeable by a single part but interchangeable together with related parts.
K		Changes only for used parts quantities.

④ Effective Machine No.

When a part changes, the effective Machine No. will be indicated in the (A)-(F) column.

Product Symbol	Product No.	Product Symbol	Product No.
C	Clutch No. Compressor No.	F	Machine No. (Agricultural Equip.)
D	Drive No.	M	Machine No.
E	Engine No.		

Note 1) A date may follow the symbol. (Ex.) 1996.01

Note 2) "XXXXX" and "ZZZZZ" are for parts that could not be predicted or for engine models that could not be identified.

Note 3) (A=E00185) is the E (Engine Serial Number) for the column (A) model (in this case 4JH-DT) after the parts design change.

⑤ Remarks

Figures or alphabets (symbols) are entered in the remarks column.

The comments (remarks) on parts that are indicated at the bottom of the illustration are the same symbols as those stated above.

Contents

Fig. No. Fig. Name

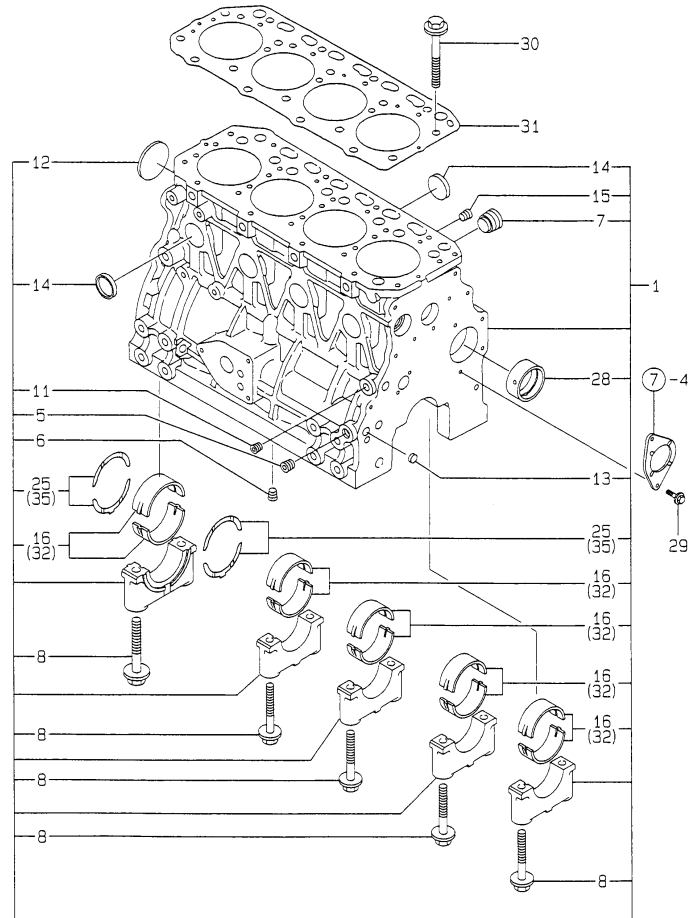
4TNE88-RTP

1. CYLINDER BLOCK
2. GEAR HOUSING
3. FLYWHEEL HOUSING & OIL SUMP
4. CYLINDER HEAD & BONNET
5. SUCTION MANIFOLD & AIR CLEANER
6. EXHAUST MANIFOLD & SILENCER
7. CAMSHAFT & DRIVING GEAR
8. CRANKSHAFT & PISTON
9. LUB.OIL SYSTEM
10. COOLING WATER SYSTEM
11. FUEL INJECTION PUMP
12. GOVERNOR
13. FUEL INJECTION VALVE
14. FUEL LINE
15. STARTING MOTOR
16. GENERATOR
17. SAFETY LABEL
18. GASKET SET

Fig. No. Fig. Name

Fig.1. CYLINDER BLOCK

Y0006310
4TNE88-RTP



(A)=4TNE88-RTP

(B)=

(C)=

(D)=

(E)=

(F)=

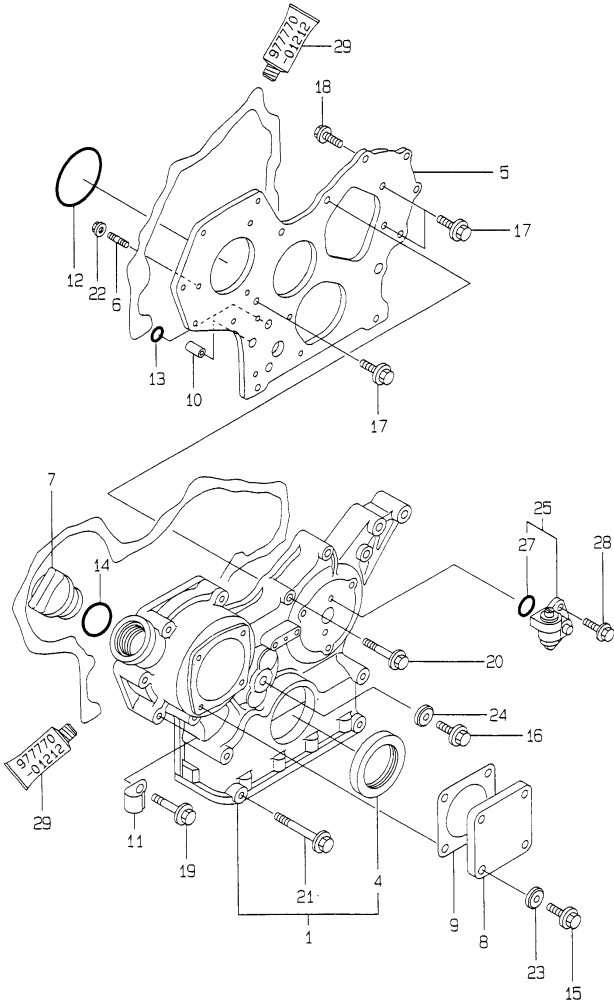
No.	Lev.	Parts No.	Description	Q'ty						I	R
				(A)	(B)	(C)	(D)	(E)	(F)		
1	1	729407-01561	BLOCK ASSY, CYLINDER	1							
5	2	124160-01910	PLUG, PT1/4	2							
6	2	124160-01910	PLUG, PT1/4	1							
7	2	171051-01921	PLUG, NPTF1	1							
8	2	129150-02020	BOLT, METAL CAP	10							
11	2	23871-010000	PLUG, R01	1							
12	2	27231-500000	PLUG 50	1							
13	2	27241-120000	PLUG, 12	2							
14	2	27241-300000	PLUG 30	8							
15	2	23871-030000	PLUG, R03	1							
16	2	129001-02800	BEARING, MAIN	5							
25	2	129150-02930	BEARING, THRUST	2							
28	2	129795-02411	BUSH, CAMSHAFT	1							
29	1	26106-080162	BOLT, M8X 16 PLATED	2							
30	1	129150-01200	BOLT, HEAD	18							
31	1	129407-01340	GASKET, HEAD	1							
32	1	129150-02870	BEARING, 0.25 US	5							1
35	1	129150-02940	BEARING, THRUST 0.25	2							2

Remarks

- (1) UNDER-SIZED(U.S=0.25)PART.
- (2) OVER-SIZED(O.S=0.25)PART.

Fig.2. GEAR HOUSING

Y0006310
4TNE88-RTP



(A)=4TNE88-RTP

(B)=

(C)=

(D)=

(E)=

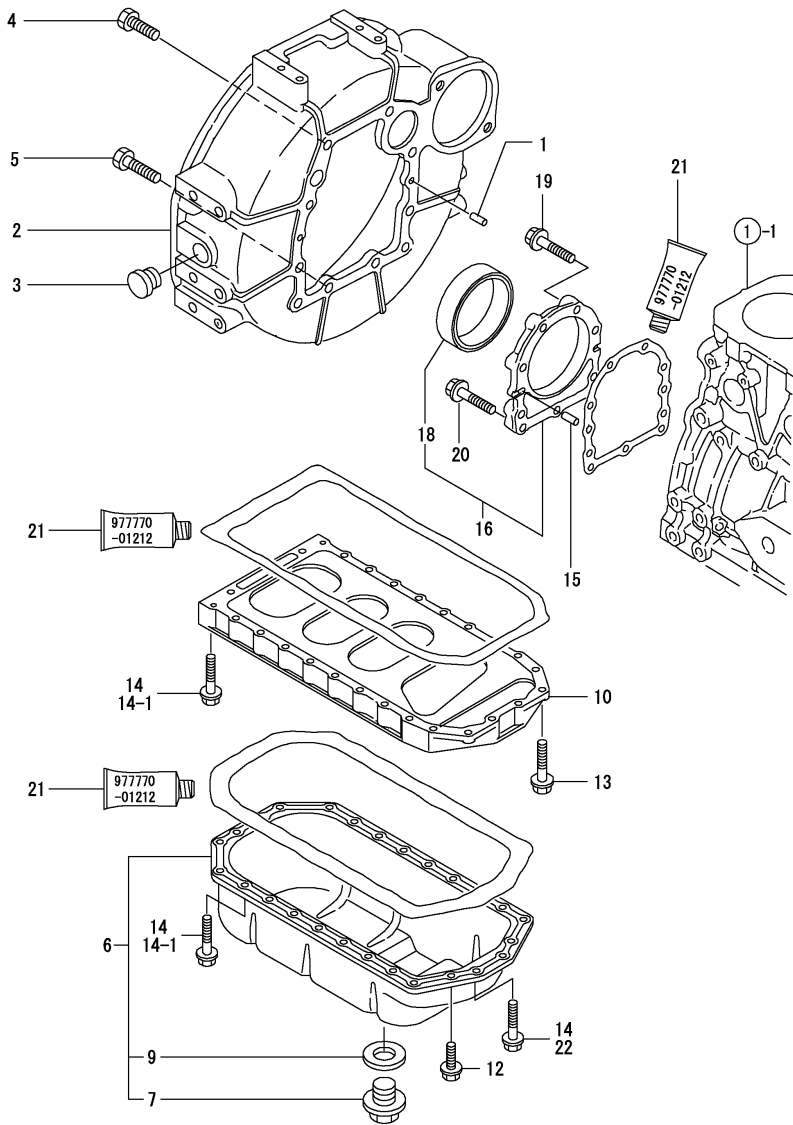
(F)=

No.	Lev.	Parts No.	Description	Q'ty						I	R
				(A)	(B)	(C)	(D)	(E)	(F)		
1	1	719810-01500	CASE ASSY, GEAR	1							
4	2	129795-01800	SEAL, OIL	1							
5	1	129400-01520	FLANGE, GEAR CASE	1							
6	1	121450-01560	STUD, M8X22	3							
7	1	124160-01751	COVER, FILLER	1							
8	1	124240-01871	COVER	1							
9	1	124240-01883	GASKET	1							
10	1	129795-01950	PIPE, KNOCK L=18	2							
11	1	129150-03100	RETAINER, PIPE	1							
12	1	121850-51960	O-RING	1							
13	1	24311-000160	O-RING, 1AP16.0	2							
14	1	24311-000320	O-RING, 1AP32.0	1							
15	1	26106-080122	BOLT, M8X 12 PLATED	4							
16	1	26106-080162	BOLT, M8X 16 PLATED	1							
17	1	26106-080162	BOLT, M8X 16 PLATED	3							
18	1	26106-080202	BOLT, M8X 20 PLATED	2							
19	1	26106-080452	BOLT, M8X 45 PLATED	6							
20	1	26106-080552	BOLT, M8X 55 PLATED	3							
21	1	26106-080852	BOLT, M8X 85 PLATED	4							
22	1	26366-080002	NUT, M8	3							
23	1	22190-080002	WASHER, SEAL 6	4							
24	1	22190-080002	WASHER, SEAL 6	1							
25	1	129150-91400	GEAR	1							
27	2	24341-000240	O-RING, 1AS24.0	1							
28	1	26106-060162	BOLT, M6X 16 PLATED	2							
29	1	977770-01212	GASKET, LIQUID	1							1

Remarks

(1) OPTIONAL PART.

Fig.3. FLYWHEEL HOUSING & OIL SUMP



No.	Lev.	Parts No.	Description	Q'ty						I	R
				(A)	(B)	(C)	(D)	(E)	(F)		
1	1	129100-01580	PIN, M8X16	2							
2	1	171301-01600	HOUSING, FLYWHEEL	1							
3	1	119620-01750	CAP	1							
4	1	26206-100252	BOLT, M10X 25 PLATED	6							
5	1	26206-100302	BOLT, M10X 30 PLATED	4							
6	1	129436-01780	SUMP ASSY, OIL	1							
7	2	119640-01640	PLUG, DRAIN M22	1							
9	2	22190-220002	WASHER, SEAL 22	1							
10	1	129400-01730	SPACER, OIL SUMP	1							
12	1	26106-080162	BOLT, M8X 16 PLATED	4							
13	1	26106-080252	BOLT, M8X 25 PLATED	2							
14	1	26106-080452	BOLT, M8X 45 PLATED	24							
14-1	1	26106-080452	BOLT, M8X 45 PLATED	20							K
(A=FROM 1ST)											
15	1	129100-01580	PIN, M8X16	2							
16	1	129100-01640	CASE ASSY, OIL SEAL	1							
18	2	129795-01780	SEAL, OIL	1							
19	1	129486-01670	BOLT, M8X30	6							
20	1	26106-080352	BOLT, M8X 35 PLATED	3							
21	1	977770-01212	GASKET, LIQUID	1							1
22	1	26106-080502	BOLT, M8X 50 PLATED	4							W
(A=FROM 1ST)											

Remarks
(1) OPTIONAL PART.

Fig.4. CYLINDER HEAD & BONNET

(A)=4TNE88-RTP

(B)=

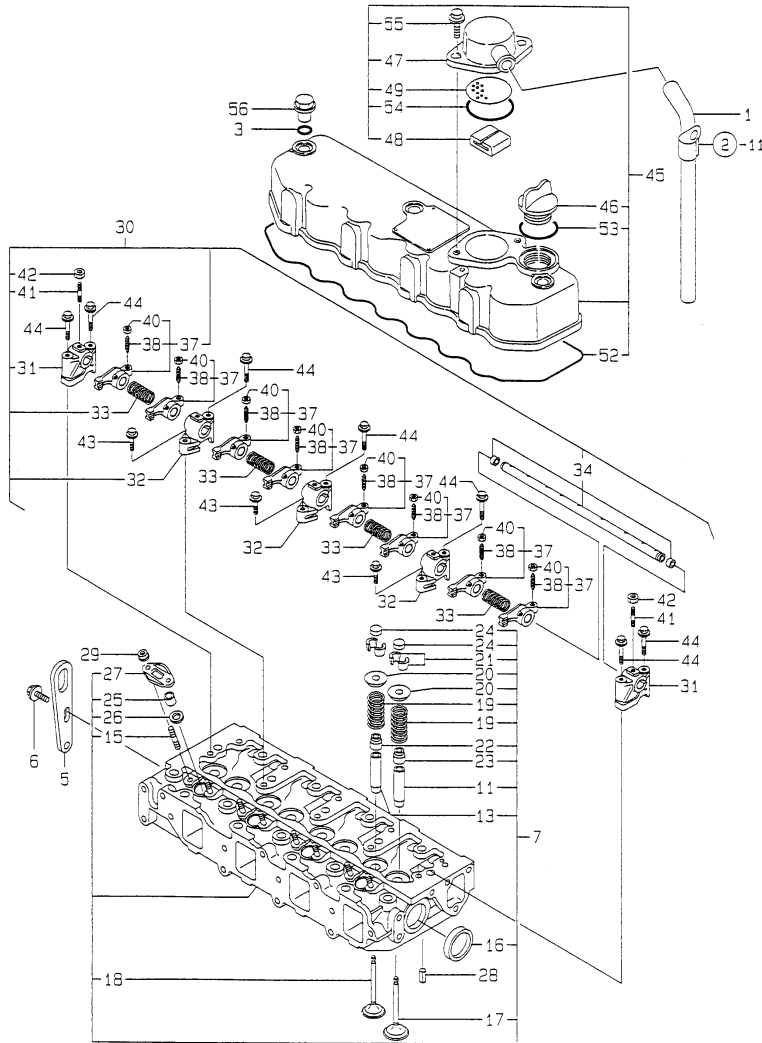
(C)=

(D)=

(E)=

(F)=

Y00D5310
4TNE88-RTP



No.	Lev.	Parts No.	Description	Q'ty						I	R
				(A)	(B)	(C)	(D)	(E)	(F)		
1	1	171350-03090	PIPE , BREATHER 900	1							
3	1	24311-000120	O-RING, 1AP12.0	3							
5	1	124736-07900	LIFTER	2							
6	1	26106-080142	BOLT, M8X 14 PLATED	4							
7	1	129407-11700	HEAD ASSY, CYLINDER	1							
11	2	120130-11860	GUIDE, VALVE	4							1
13	2	129150-11810	GUIDE, VALVE	4							1
15	2	26216-060202	STUD, M6X 20	8							
16	2	27241-400000	PLUG, 40	2							
17	2	129100-11100	VALVE, INTAKE	4							
18	2	129100-11110	VALVE, EXHAUST	4							
19	2	129795-11120	SPRING, VALVE	8							
20	2	129795-11180	RETAINER, SPRING	8							
21	2	27310-080001	COTTER, 8	8							
22	2	121400-11340	SEAL, VALVE STEM	4							
23	2	124460-11340	SEAL, VALVE STEM	4							
24	2	129150-11370	CAP, VALVE	8							
25	2	119625-11871	PROTECTOR, NOZZLE	4							
26	2	119625-11880	SEAT, NOZZLE	4							
27	2	119625-11900	RETAINER, NOZZLE	4							
28	1	22351-060012	PIN, SPRING 6.0X12	2							
29	1	26366-060002	NUT, M6	8							
30	1	129555-11241	SHAFT ASSY, ROCKER	1							
31	2	129155-11260	SUPPORT, ROCKER ARM	2							
32	2	129155-11270	SUPPORT, ROCKER ARM	3							
33	2	129150-11280	SPRING	4							
34	2	129550-11290	SHAFT, ROCKER ARM	1							
37	2	729402-11650	ARM ASSY, ROCKER	8							
38	3	129150-11230	SCREW, VALVE ADJUST	8							
40	3	129150-11750	NUT, M8	8							
41	2	26226-080182	STUD, M8X 18	3							
42	2	26756-080002	NUT, LOCK M8	3							
43	1	26106-080252	BOLT, M8X 25 PLATED	3							
44	1	26106-080502	BOLT, M8X 50 PLATED	7							
45	1	129400-11350	BONNET ASSY, HEAD	1							
46	2	124160-01751	COVER, FILLER	1							
47	2	129150-03020	COVER, BREATHER	1							
48	2	129150-03070	BAFFLE, BREATHER	1							
49	2	129150-03080	PLATE, BAFFLE	1							
52	2	129550-11310	GASKET, BONNET	1							
53	2	24311-000320	O-RING, 1AP32.0	1							
54	2	24341-000500	O-RING, 1AS50.0	1							
55	2	26106-080162	BOLT, M8X 16 PLATED	2							
56	1	124160-11360	KNOB	3							

Remarks
(1) REPAIR PART.

Fig.5. SUCTION MANIFOLD & AIR CLEANER

(A)=4TNE88-RTP

(B)=

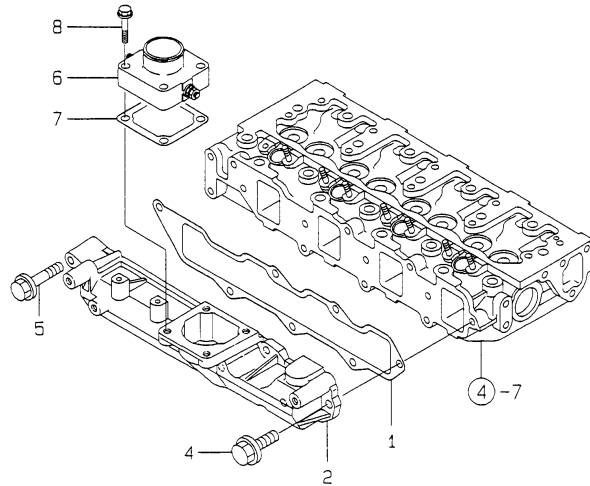
(C)=

(D)=

(E)=

(F)=

Y00D6310
4TNE88-RTP



No.	Lev.	Parts No.	Description	Q'ty						I	R
				(A)	(B)	(C)	(D)	(E)	(F)		
1	1	129407-12110	GASKET, MANIFOLD	1							
2	1	129407-12120	MANIFOLD, AIR INTAKE	1							
4	1	26106-080202	BOLT, M8X 20 PLATED	6							
5	1	26106-080502	BOLT, M8X 50 PLATED	1							
6	1	129120-77501	HEATER	1							
7	1	129150-77511	GASKET	1							
8	1	26106-080352	BOLT, M8X 35 PLATED	4							
9	1	129612-12220	PIPE, AIR INTAKE	1							
10	1	119032-12250	PIPE, AIR INTAKE	1							
11	1	129650-12550	JOINT	1							
12	1	121975-12600	CLEANER, PRE	1							
13	1	121872-12700	SUPPORT	1							
14	1	23000-060000	CLAMP, 60	1							
15	1	23000-080000	CLAMP, 80	4							
16	1	23000-090000	CLAMP, 90	1							
17	1	129650-12500	CLEANER ASSY, AIR	1							
19	2	119005-12510	ELEMENT	1							
20	2	121820-12560	NUT	1							
21	2	121422-12580	VALVE, UNLOADER	1							

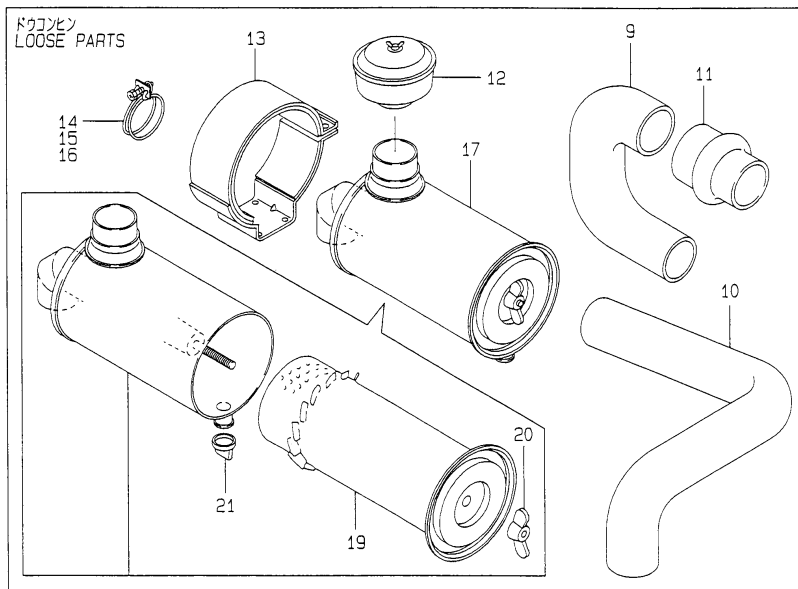
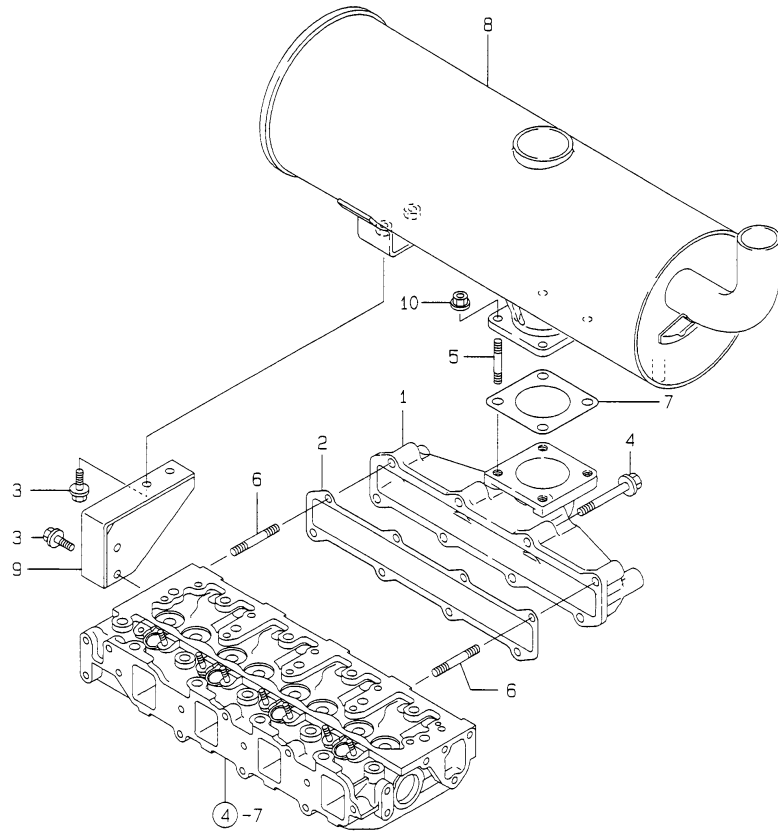


Fig.6. EXHAUST MANIFOLD & SILENCER

Y00D6310
4TNE88-RTP



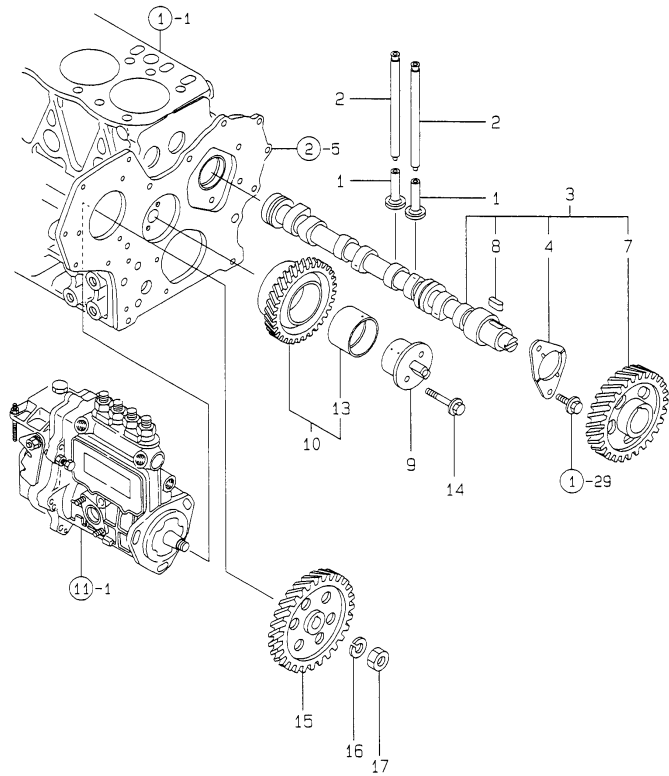
(A)=4TNE88-RTP
(B)=
(C)=

(D)=
(E)=
(F)=

No.	Lev.	Parts No.	Description	Q'ty						I	R
				(A)	(B)	(C)	(D)	(E)	(F)		
1	1	129407-13100	MANIFOLD, EXHAUST	1							
2	1	129407-13110	GASKET	1							
3	1	26014-080202	BOLT, M8X 20	4							
4	1	26106-080402	BOLT, M8X 40 PLATED	6							
5	1	26216-080222	STUD, M8X 22	4							
6	1	26216-080402	STUD, M8X 40	2							
7	1	129400-13201	GASKET, SILENCER	1							
8	1	129612-13580	SILENCER	1							
9	1	171350-13650	STAY, SILENCER	1							
10	1	194990-22050	NUT, M8	4							

Fig.7. CAMSHAFT & DRIVING GEAR

Y00D6310
4TNE88-RTP



(A)=4TNE88-RTP
(B)=
(C)=

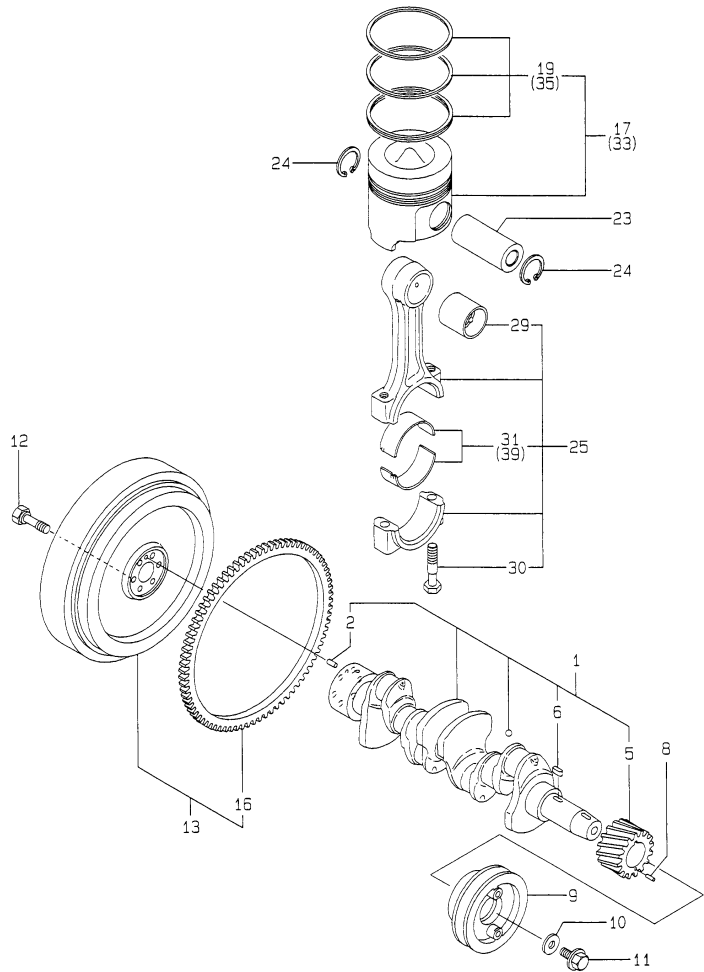
(D)=
(E)=
(F)=

No.	Lev.	Parts No.	Description	Q'ty						I	R
				(A)	(B)	(C)	(D)	(E)	(F)		
1	1	129150-14200	TAPPET	8							
2	1	129150-14400	ROD, PUSH L=178	8							
3	1	729402-14580	CAMSHAFT ASSY	1							
4	2	129150-02450	BEARING, THRUST	1							
7	2	129150-14101	GEAR, CAMSHAFT	1							
8	2	22512-070140	KEY, 7X 14	1							
9	1	129100-25061	SHAFT, IDLE	1							
10	1	129150-25101	GEAR ASSY, IDLE	1							
13	2	129150-25920	BUSH, IDLE GEAR	1							1
14	1	26106-080452	BOLT, M8X 45 PLATED	2							
15	1	129150-25900	GEAR, PUMP	1							
16	1	22217-120000	WASHER, SPRING 12	1							
17	1	26716-120002	NUT, M12	1							

Remarks
(1) REPAIR PART.

Fig.8. CRANKSHAFT & PISTON

Y00D6310
4TNE88-RTP



(A)=4TNE88-RTP

(B)=

(C)=

(D)=

(E)=

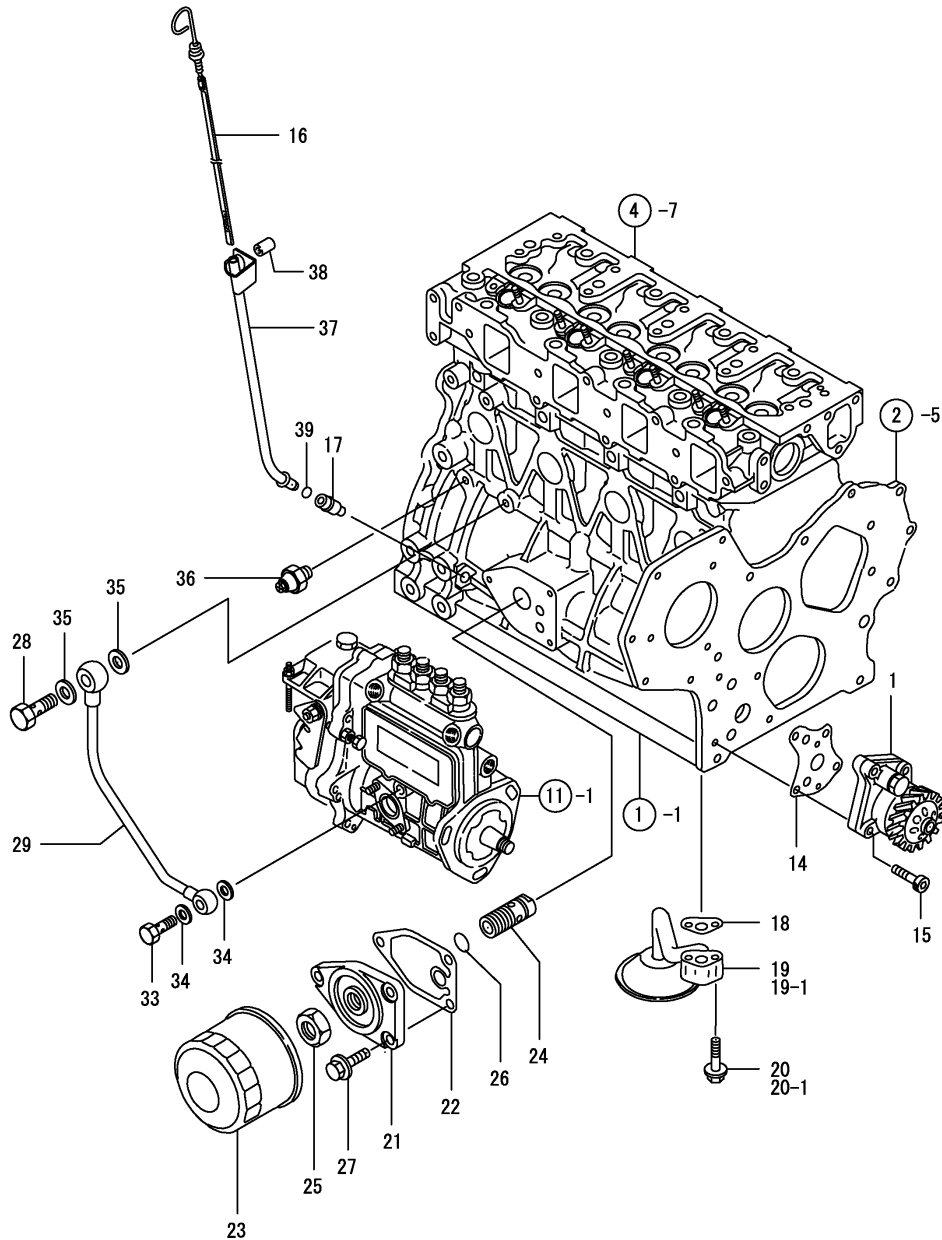
(F)=

No.	Lev.	Parts No.	Description	Q'ty						I	R
				(A)	(B)	(C)	(D)	(E)	(F)		
1	1	129407-21000	CRANKSHAFT ASSY	1							
2	2	129100-01580	PIN, M8X16	1							
5	2	129150-21200	GEAR, CRANKSHAFT	1							
6	2	22512-070140	KEY, 7X 14	1							
8	1	22351-040010	PIN, SPRING 4.0X10	1							
9	1	129550-21650	V-PULLEY	1							
10	1	129795-21661	WASHER	1							
11	1	121850-21680	BOLT	1							
12	1	121111-21501	BOLT, FLYWHEEL	6							
13	1	129489-21590	FLYWHEEL ASSY	1							
16	2	119865-21600	GEAR, RING	1							
17	1	129001-22081	PISTON ASSY	4							
19	2	129001-22500	RING SET, PISTON	4							
23	1	129202-22300	PIN, PISTON D26 L70	4							
24	1	22252-000260	RING, 26	8							
25	1	729402-23100	ROD ASSY, CONNECTING	4							
29	2	129100-23910	BEARING, PISTON PIN	4							1
30	2	121550-23200	BOLT, CONNECTING ROD	8							
31	2	129150-23600	BEARING, CRANK PIN	4							
33	1	129001-22901	PISTON ASSY, 0.25 OS	4							2
35	2	129001-22950	RING SET, 0.25 OS	4							2
39	1	129150-23610	BEARING, 0.25 US	4							3

Remarks

- (1) REPAIR PART.
- (2) OVER-SIZE (O.S=0.25) PART.
- (3) UNDER-SIZE(U.S=0.25) PART.

Fig.9. LUB.OIL SYSTEM



(A)=4TNE88-RTP

(B)=

(C)=

(D)=

(E)=

(F)=

No.	Lev.	Parts No.	Description	Q'ty						I	R
				(A)	(B)	(C)	(D)	(E)	(F)		
1	1	129407-32000	PUMP ASSY, OIL	1							
14	1	129150-32020	GASKET, PUMP	1							
15	1	26450-060252	BOLT, M6X 25	4							
16	1	129436-34800	DIPSTICK, OIL	1							
17	1	119260-34810	GUIDE, DIPSTICK	1							
18	1	129150-35041	GASKET	1							
18-1	1	129150-35042	GASKET	1							N
(A=EZZZZZ)											
19	1	129436-35091	PIPE ASSY, OIL INLET	1							
19-1	1	129436-35070	PIPE ASSY, LUB. OIL	1							S
(A=EZZZZZ)											
20	1	26106-080352	BOLT, M8X 35 PLATED	2							
20-1	1	26106-080552	BOLT, M8X 55 PLATED	2							S
(A=EZZZZZ)											
21	1	129150-35101	BRACKET, STRAINER	1							
22	1	129150-35111	GASKET	1							
23	1	129150-35151	FILTER, D80XL80	1							
24	1	129001-35300	BOLT, FILTER	1							
25	1	129150-35350	NUT	1							
26	1	24311-000160	O-RING, 1AP16.0	1							
27	1	26106-080202	BOLT, M8X 20 PLATED	3							
28	1	124160-39140	BOLT, PIPE JOINT M10	1							
29	1	129550-39450	PIPE ASSY, OIL	1							
33	1	124550-59820	BOLT, PIPE JOINT M8	1							
34	1	22190-080002	WASHER, SEAL 6	2							
35	1	23414-100000	GASKET, 10X1.0	2							
36	1	121252-39450	SWITCH, 0.5KG	1							
37	1	129136-34820	GUIDE, DIPSTICK	1							
38	1	121400-44630	SPACER	1							
39	1	24311-240100	O-RING, 1AP10A	1							

Fig.10. COOLING WATER SYSTEM

(A)=4TNE88-RTP

(B)=

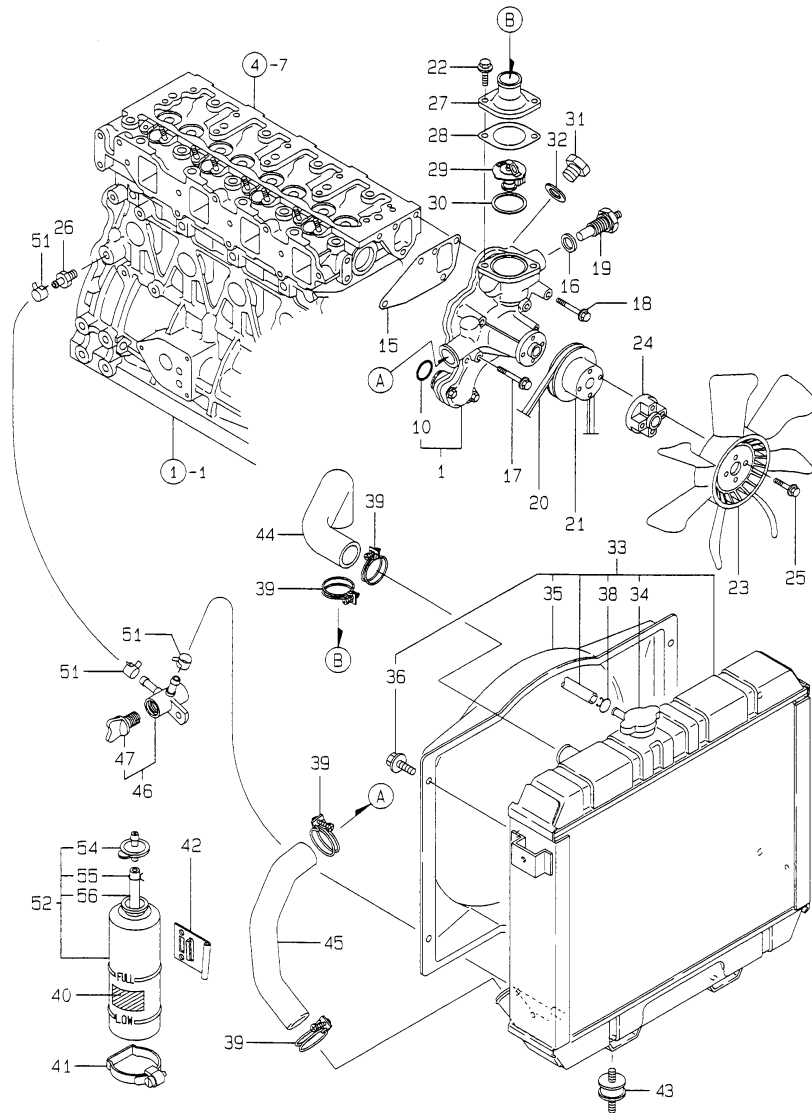
(C)=

(D)=

(E)=

(F)=

Y00D6310
4TNE88-RTP



No.	Lev.	Parts No.	Description	Q'ty						I	R
				(A)	(B)	(C)	(D)	(E)	(F)		
1	1	129107-42002	PUMP ASSY, WATER	1							
10	2	129150-42320	O-RING	1							
15	1	129150-42020	GASKET, WATER PUMP	1							
16	1	129150-49360	GASKET	1							
17	1	26106-080552	BOLT, M8X 55 PLATED	3							
18	1	26106-080602	BOLT, M8X 60 PLATED	1							
19	1	124250-49351	SENSOR	1							
20	1	124722-42290	V-BELT, A40	1							
21	1	129556-42350	V-PULLEY, 96	1							
22	1	26106-080202	BOLT, M8X 20 PLATED	2							
23	1	121267-44741	FAN, COOLING D=360	1							
24	1	124574-44761	SPACER, FAN	1							
25	1	26014-060252	BOLT, M6X 25	4							
26	1	121550-49111	JOINT, PT1/4	1							
27	1	129350-49530	COVER, THERMOSTAT	1							
28	1	129795-49551	GASKET	1							
29	1	129155-49800	THERMOSTAT, 71	1							
30	1	129150-49811	GASKET, THERMOSTAT	1							
31	1	121450-42450	PLUG, M16	1							
32	1	124465-44950	GASKET, 16	1							
33	1	129060-44500	RADIATOR ASSY	1							
34	2	129107-44590	CAP, RADIATOR	1							
35	2	129556-44610	SHROUD	1							
36	2	26014-060122	BOLT, M6X 12	4							
38	2	121250-44590	CLAMP	2							
39	1	23010-038000	CLAMP, 38	4							
40	1	121470-44540	LABEL, SUB-TANK	1							
41	1	124450-44550	BAND	1							
42	1	121256-44600	BRACKET, SUB TANK	1							
43	1	121400-44650	ABSORBER	2							
44	1	119248-49010	PIPE, WATER	1							
45	1	129550-49020	PIPE, WATER	1							
46	1	129150-49100	COCK ASSY, 3-WAY	1							
47	2	129150-49080	COCK, DRAIN	1							
51	1	23000-013000	CLAMP, 13	16							
52	1	124450-44510	TANK ASSY, SUB	1							
54	2	124450-44530	CAP	1							
55	2	124450-44560	RETAINER	1							
56	2	23061-070230	PIPE, 7X 230	1							

Fig.11. FUEL INJECTION PUMP

(A)=4TNE88-RTP

(B)=

(C)=

(D)=

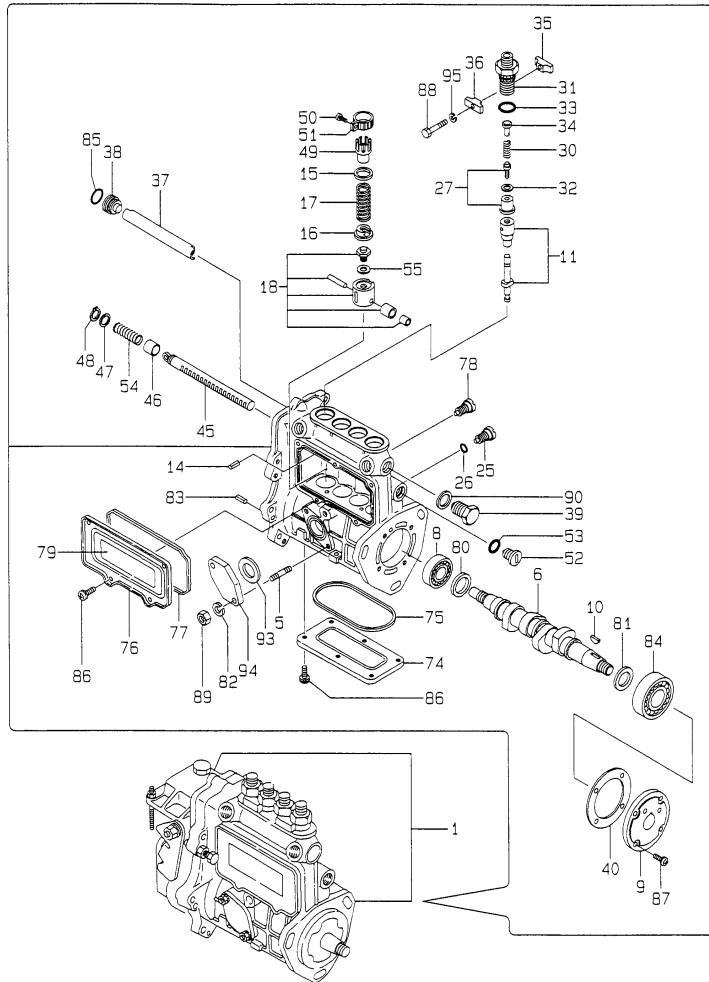
(E)=

(F)=

Q'ty

I R

Y00D6310
4TNE88-RTP



No.	Lev.	Parts No.	Description	(A)	(B)	(C)	(D)	(E)	(F)	I	R
1	1	729467-51370	PUMP ASSY, INJECTION	1							1
5	2	129155-51020	STUD	2							
6	2	129470-51040	CAMSHAFT	1							
8	2	129155-51050	BEARING, 17BM001D	1							
9	2	129155-51060	SUPPORT, CAMSHAFT	1							
10	2	122710-51090	KEY	1							
11	2	129470-51101	PLUNGER ASSY	4							
14	2	129155-51140	PIN	4							
15	2	174307-51170	RETAINER, SPRING A	4							
16	2	129155-51180	RETAINER, SPRING	4							
17	2	124950-51190	SPRING, PLUNGER	4							
18	2	129155-51200	TAPPET ASSY	4							
25	2	129155-51270	STOPPER, TAPPET	4							
26	2	129155-51280	O-RING, S6	4							
27	2	105300-51300	VALVE ASSY, DELIVERY	4							
30	2	129155-51320	SPRING, DELIVERY	4							
31	2	129155-51340	RETAINER	4							
32	2	124550-51350	GASKET, DELIVERY	4							
33	2	124550-51370	O-RING	4							
34	2	129155-51370	STOPPER, VALVE	4							
35	2	129155-51380	STOPPER	2							
36	2	129155-51390	STOPPER	2							
37	2	129555-51400	DEFLECTOR	1							
38	2	129155-51410	BOLT	1							
39	2	129155-51420	PLUG, M16	1							
40	2	129155-51450	SHIM SET, ADJUSTING	1							
45	2	129555-51500	RACK, CONTROL	1							
46	2	129155-51521	BUSH, RACK	1							
47	2	129155-51530	SPACER	1							
48	2	129155-51540	CIRCLIP	1							
49	2	129155-51550	PINION, CONTROL	4							
50	2	122117-51560	SCREW	4							
51	2	174307-51560	PINION	4							
52	2	129155-51570	PLUG, M12	1							
53	2	129155-51580	O-RING	1							
54	2	129155-51591	SPRING, RACK	1							
55	2	129155-51600	SHIM SET, ADJUSTING	4							
74	2	129555-51700	COVER	1							
75	2	129555-51710	GASKET	1							
76	2	129555-51750	COVER	1							
77	2	129555-51760	GASKET	1							
78	2	129155-51790	STOOPER, RACK	1							
79	2	129156-51910	LABEL, CAUTION	1							
80	2	129155-51930	SPACER, T=3.25	1							
81	2	129155-51940	SPACER, T=1.5	1							
82	2	22217-060000	WASHER, SPRING 6	2							
83	2	22351-050010	PIN, SPRING 5.0X10	2							
84	2	24101-063034	BEARING, BALL 6303	1							
85	2	24341-000160	O-RING, 1AS16.0	1							
86	2	26022-050102	SCREW, M5X10	11							
87	2	26022-060162	SCREW, M6X16	4							

Remarks

(1) GOVERNOR ASSY(FIG.12)IS
INCORPORATED IN THIS FUEL
INJECTION PUMP ASSY(REF.NO.1).

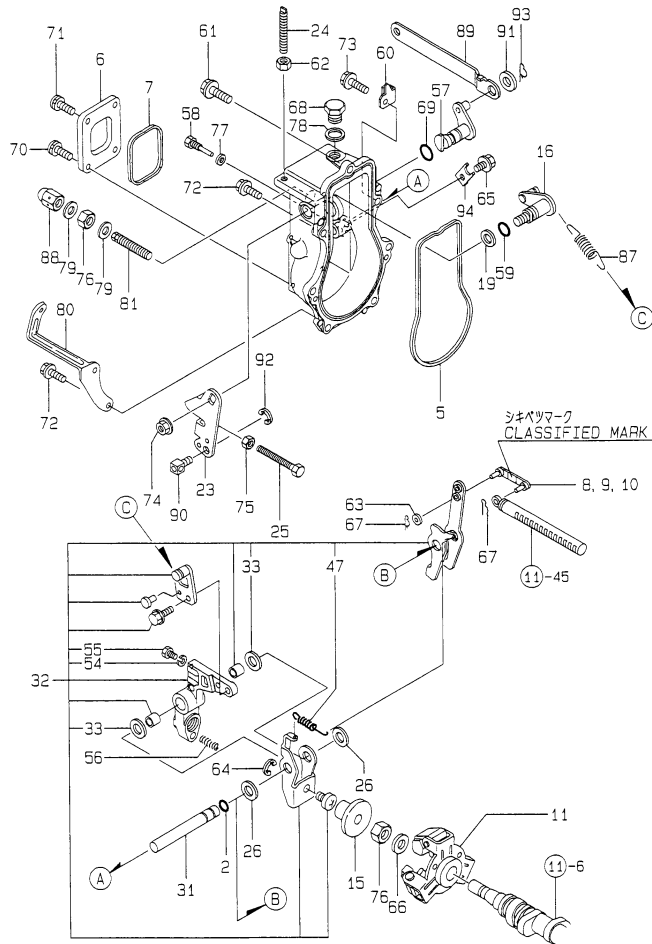
N:Old $\frac{Yes}{No}$ New, Q:Old $\frac{No}{Yes}$ New, R:Old $\frac{Yes}{Yes}$ New, S:Old $\frac{No}{No}$ New, W:Add, Z:Discontinued, F:Interchangeable by set, K:Q'ty Change

++ CONTINUE ++

Copyright (C) YANMAR CO., LTD. All RightsReserved.

Fig.12. GOVERNOR

Y00D6310
4TNE88-RTP



Remarks

(1) SELECTIVE PARTS: CERTAIN THE CLASSIFICATION MARK, THEN PLACE YOUR ORDER.(REFER TO ILLUSTRATION).

(A)=4TNE88-RTP

(B)=

(C)=

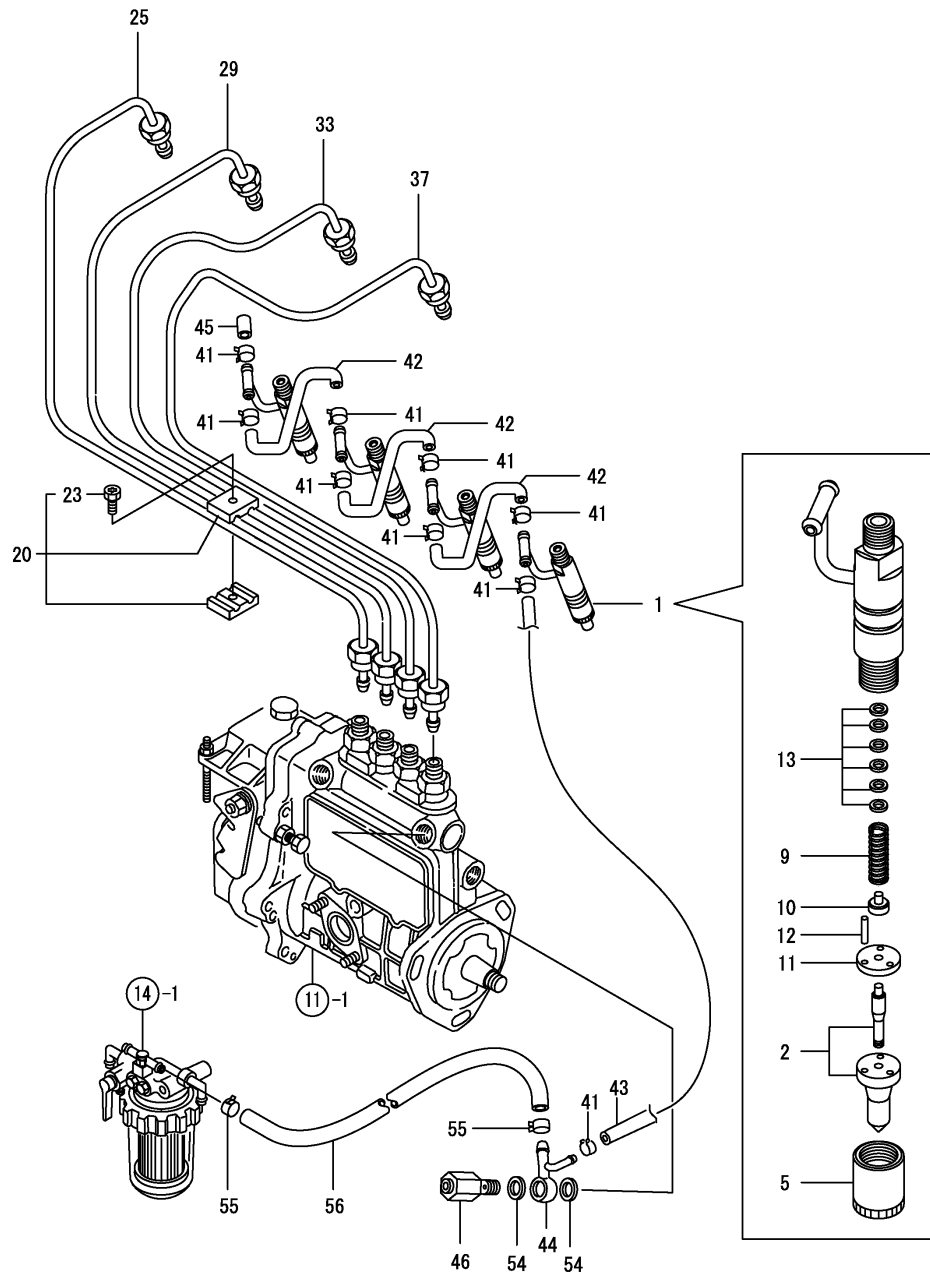
(D)=

(E)=

(F)=

No.	Lev.	Parts No.	Description	Q'ty						I	R
				(A)	(B)	(C)	(D)	(E)	(F)		
2	2	129155-51280	O-RING, S6	1							
5	2	129155-61050	GASKET	1							
6	2	129155-61060	COVER, GOVERNOR CASE	1							
7	2	129155-61070	GASKET	1							
8	2	129155-61120	LINK, L=30 MARK 0	1							1
9	2	129155-61130	LINK, L=31 MARK 1	1							1
10	2	129155-61140	LINK, L=30.5 MARK 05	1							1
11	2	129155-61201	WEIGHT ASSY,GOVERNOR	1							
15	2	129155-61341	SLEEVE	1							
16	2	129100-61400	SHAFT ASSY	1							
19	2	129155-61430	SPACER	1							
23	2	129100-61440	LEVER, CONTROL	1							
24	2	129155-61450	BOLT, LIMITER	1							
25	2	129155-61460	BOLT, IDLE	1							
26	2	129155-61480	SPACER ASSY	2							
31	2	119660-61491	SHAFT	1							
32	2	119843-61500	LEVER ASSY, GOVERNOR	1							
33	3	174307-51700	SHIM SET	2							
47	3	119843-61540	SPRING, SET	1							
54	3	22217-050000	WASHER, SPRING 5	1							
55	3	26113-050082	BOLT, M5X 8	1							
56	2	129100-61650	SPRING, CONTROLLER	1							
57	2	129129-61801	LEVER ASSY, STOP	1							
58	2	129155-61810	PIN	1							
59	2	129155-61830	O-RING, S10	1							
60	2	129116-61890	SUPPORT	1							
61	2	129155-61950	BOLT	1							
62	2	124550-66370	NUT, M6	1							
63	2	22117-040000	WASHER, 4	1							
64	2	22272-000040	RING, E- 4	1							
65	2	26106-060102	BOLT, M6X 10 PLATED	2							
66	2	22287-120000	WASHER, 12	1							
67	2	22372-040000	PIN, SNAP 4	2							
68	2	23887-100002	PLUG, 10	1							
69	2	24311-240100	O-RING, 1AP10A	1							
70	2	26022-050102	SCREW, M5X10	2							
71	2	26023-050102	SCREW, M5X10	2							
72	2	26106-060202	BOLT, M6X 20 PLATED	5							
73	2	26106-060252	BOLT, M6X 25 PLATED	1							
74	2	26366-080002	NUT, M8	1							
75	2	26756-060002	NUT, LOCK M6	1							
76	2	26776-120002	NUT, LOCK M12	2							
77	2	22190-060002	WASHER, SEAL 6	1							
78	2	22190-100002	WASHER, SEAL 10	1							
79	2	22190-120002	WASHER, SEAL 12	2							
80	2	129255-61080	SUPPORT, WIRE	1							
81	2	129566-61450	LIMITER ASSY, FUEL	1							
87	2	171353-61710	SPRING, GOVERNOR	1							
88	2	26687-120002	NUT, CAP M12	1							
89	2	129429-66860	LINK	1							
90	2	124756-67510	RETAINER	1							

Fig.13. FUEL INJECTION VALVE



(A)=4TNE88-RTP

(B)=

(C)=

(D)=

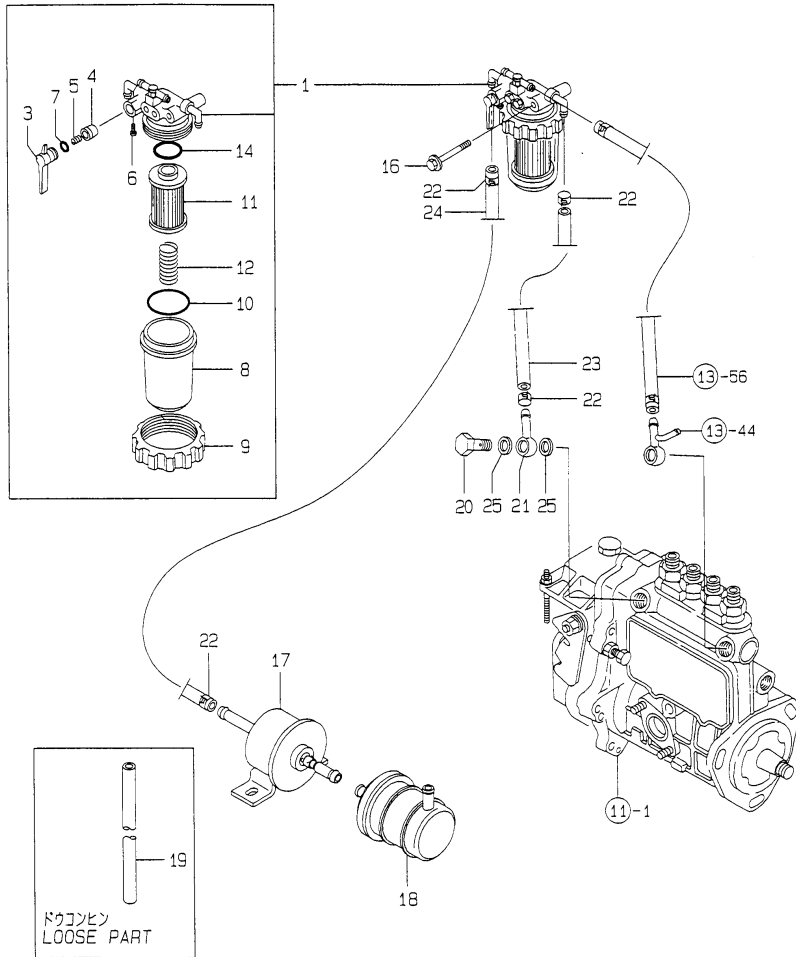
(E)=

(F)=

No.	Lev.	Parts No.	Description	Q'ty						I	R
				(A)	(B)	(C)	(D)	(E)	(F)		
1	1	729503-53100	VALVE ASSY,INJECTION	4							
2	2	129503-53000	VALVE ASSY,INJECTION	4							
5	2	114250-53080	NUT, NOZZLE D16.95	4							
9	2	114250-53120	SPRING, NOZZLE	4							
10	2	114250-53130	SEAT, SPRING	4							
11	2	114250-53140	PLATE	4							
12	2	114250-53210	PIN	8							
13	2	114250-53400	SHIM SET	4							
20	1	119305-59120	RETAINER, PIPE	2							
23	2	129150-59131	BOLT, M4X14	2							
25	1	129407-59940	PIPE ASSY, INJECTION	1							
29	1	129612-59831	PIPE ASSY, INJECTION	1							
33	1	129407-59920	PIPE ASSY, INJECTION	1							
37	1	129407-59910	PIPE ASSY, INJECTION	1							
41	1	124066-59100	CLIP, HOSE 8	9							
42	1	121250-59550	PIPE, FUEL D8X120	3							
43	1	119840-59560	PIPE, FUEL RETURN	1							
44	1	119840-59570	JOINT	1							
45	1	129150-59580	CAP	1							
46	1	129100-59951	VALVE ASSY, CHECK	1							
54	1	23414-120000	GASKET, 12X1.0	2							
55	1	124766-59050	CLIP, HOSE 12	2							
56	1	105025-59530	PIPE, FUEL D13X400	1							

Fig.14. FUEL LINE

Y00D6310
4TNE88-RTP



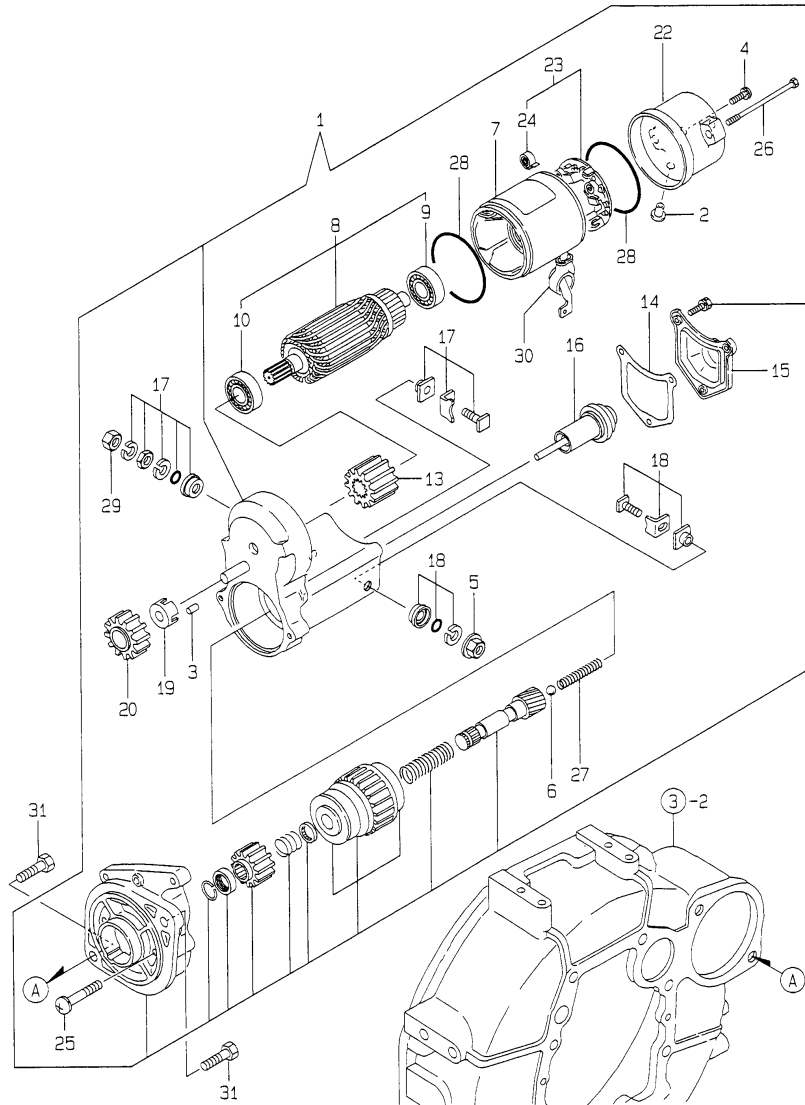
(A)=4TNE88-RTP
(B)=
(C)=

(D)=
(E)=
(F)=

No.	Lev.	Parts No.	Description	Q'ty						I	R
				(A)	(B)	(C)	(D)	(E)	(F)		
1	1	129052-55620	FILTER ASSY, FUEL	1							
3	2	129100-55670	LEVER	1							
4	2	104200-55321	VALVE, TAPER	1							
5	2	104200-55330	SPRING, VALVE	1							
6	2	104200-55750	SCREW, M4	1							
7	2	24311-240100	O-RING, 1AP10A	1							
8	2	129100-55680	CUP, STRAINER	1							
9	2	129100-55690	RING, RETAINING	1							
10	2	24321-000650	O-RING, 1AG65.0	1							
11	2	129100-55650	ELEMENT	1							
12	2	129100-55700	SPRING	1							
14	2	24311-000160	O-RING, 1AP16.0	1							
16	1	26106-081002	BOLT, M8X100 PLATED	1							
17	1	119225-52102	PUMP ASSY, FUEL FEED	1							
18	1	129052-55630	FILTER, FUEL	1							
19	1	121256-59571	PIPE, D7.5/13X2540	2							
20	1	103854-39140	BOLT, PIPE JOINT	1							
21	1	101304-59020	JOINT, PIPE 12	1							
22	1	124766-59050	CLIP, HOSE 12	4							
23	1	129555-59510	PIPE, D13/7.5X180	1							
24	1	105025-59530	PIPE, FUEL D13X400	1							
25	1	22190-120002	WASHER, SEAL 12	2							

Fig.15. STARTING MOTOR

Y00D6310
4TNE88-RTP



(A)=4TNE88-RTP

(B)=

(C)=

(D)=

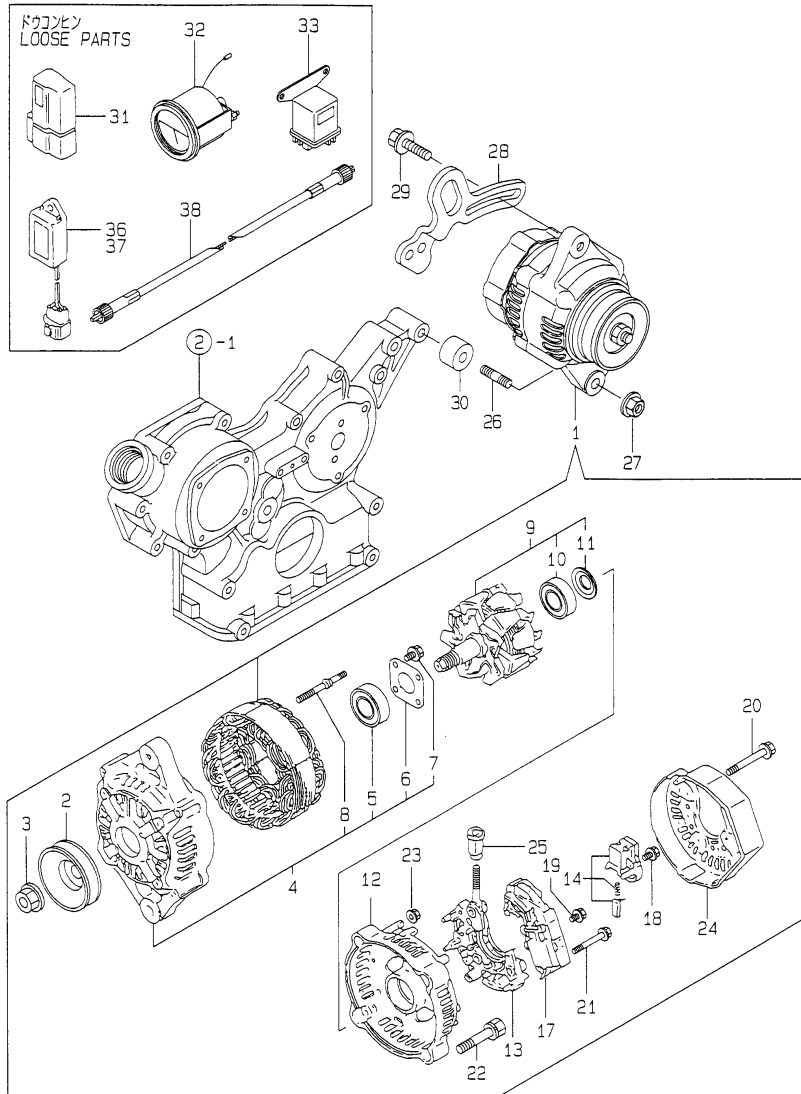
(E)=

(F)=

No.	Lev.	Parts No.	Description	Q'ty						I	R
				(A)	(B)	(C)	(D)	(E)	(F)		
1	1	129429-77011	STARTER ASSY	1							
2	2	129129-77362	COVER	1							
3	2	X0283060061	ROLLER	5							
4	2	129429-77310	SCREW	2							
5	2	X9490561370	NUT	1							
6	2	X9491200240	BALL	1							
7	2	129429-77210	YOKE ASSY	1							
8	2	129429-77220	ARMATURE ASSY	1							
9	3	129429-77230	BEARING	1							
10	3	129129-77240	BEARING	1							
13	2	129429-77250	PINION ASSY	1							
14	2	129429-77350	GASKET	1							
15	2	129429-77360	COVER	1							
16	2	129429-77370	PLUNGER	1							
17	2	129429-77380	STARTER KIT	1							
18	2	129429-77390	STARTER KIT	1							
19	2	129129-77260	RETAINER	1							
20	2	129129-77270	PINION	1							
22	2	129429-77270	FRAME	1							
23	2	129429-77280	HOLDER ASSY	1							
24	3	129429-77290	SPRING	4							
25	2	129429-77320	SCREW	2							
26	2	129429-77330	BOLT	2							
27	2	129129-77340	SPRING	1							
28	2	129129-77350	O-RING	2							
29	2	129129-77370	NUT	1							
30	2	129429-77340	CAP	1							
31	1	26116-120252	BOLT, M12X 25 PLATED	1							

Fig.16. GENERATOR

Y00D6310
4TNE88-RTP



(A)=4TNE88-RTP

(B)=

(C)=

(D)=

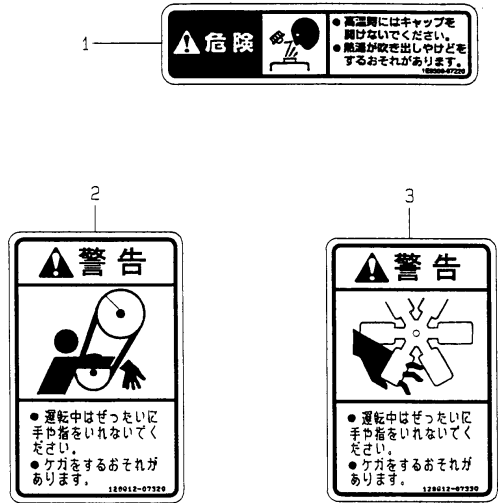
(E)=

(F)=

No.	Lev.	Parts No.	Description	Q'ty						I	R
				(A)	(B)	(C)	(D)	(E)	(F)		
1	1	129052-77220	GENERATOR, 12V-55A	1							
2	2	119620-77460	PULLEY,CRANKSHAFT	1							
3	2	119620-77470	NUT	1							
4	2	119620-77421	FRAME ASSY, DRIVE	1							
5	3	119620-79200	BALL BEARING	1							
6	3	119620-79210	PLATE	1							
7	3	119620-79220	SCREW	4							
8	3	119620-79230	BOLT, STUD	2							
9	2	129052-77380	ROTOR ASSY	1							
10	3	119620-79240	BALL BEARING	1							
11	3	119620-79250	COVER, BEARING	1							
12	2	128401-77440	FRAME	1							
13	2	129052-79260	HOLDER	1							
14	2	129052-79270	HOLDER, BRUSH	1							
17	2	119620-77710	REGULATOR ASSY	1							
18	2	119620-79290	SCREW	6							
19	2	119620-79300	SCREW	1							
20	2	119620-79310	BOLT	3							
21	2	119620-79320	SCREW W/WASHER	2							
22	2	119620-79330	BOLT	2							
23	2	119620-79350	NUT	2							
24	2	128401-77450	COVER	1							
25	2	119620-79340	INSULATION BUSH	1							
26	1	129795-01900	STUD	1							
27	1	26366-100002	NUT, M10	1							
28	1	129466-77331	ADJUSTER	1							
29	1	26014-080502	BOLT, M8X 50	1							
30	1	124732-77340	SPACER	1							
31	1	119643-66900	DIODE	1							
32	1	171010-77850	THERMOSTAT	1							
33	1	119650-77910	RELAY ASSY, GLOW	1							
36	1	119632-77920	TIMER	1							
37	1	128300-77920	TIMER	1							
38	1	119666-91140	CABLE, TACHOMETER	1							

Fig.17. SAFETY LABEL

Y00D6310
4TNE88-RTP



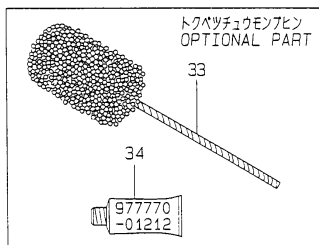
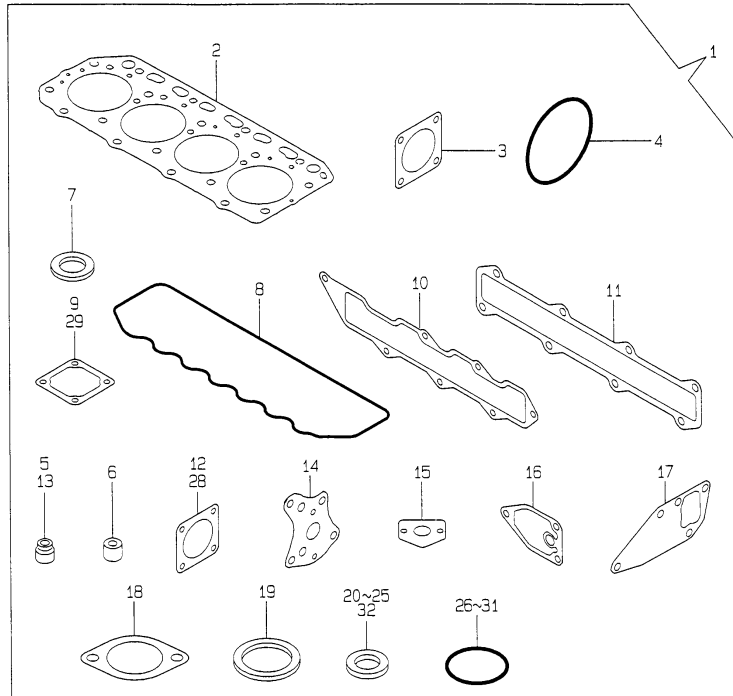
(A)=4TNE88-RTP
(B)=
(C)=

(D)=
(E)=
(F)=

No.	Lev.	Parts No.	Description	Q'ty						I	R
				(A)	(B)	(C)	(D)	(E)	(F)		
1	1	105250-07310	LABEL, RADIATOR	1							
2	1	129612-07320	LABEL	1							
3	1	129612-07330	LABEL	1							

Fig.18. GASKET SET

Y0006310
4TNE88-RTP



(A)=4TNE88-RTP
(B)=
(C)=

(D)=
(E)=
(F)=

No.	Lev.	Parts No.	Description	Q'ty						I	R
				(A)	(B)	(C)	(D)	(E)	(F)		
1	1	729407-92660	GASKET SET	1							1
2	2	129407-01340	GASKET, HEAD	1							
3	2	124240-01883	GASKET	1							
4	2	121850-51960	O-RING	1							
5	2	124460-11340	SEAL, VALVE STEM	4							
6	2	119625-11871	PROTECTOR, NOZZLE	4							
7	2	119625-11880	SEAT, NOZZLE	4							
8	2	129550-11310	GASKET, BONNET	1							
9	2	129150-77511	GASKET	1							
10	2	129407-12110	GASKET, MANIFOLD	1							
11	2	129407-13110	GASKET	1							
12	2	129400-13201	GASKET, SILENCER	1							
13	2	121400-11340	SEAL, VALVE STEM	4							
14	2	129150-32020	GASKET, PUMP	1							
15	2	129150-35041	GASKET	1							
16	2	129150-35111	GASKET	1							
17	2	129150-42020	GASKET, WATER PUMP	1							
18	2	129795-49551	GASKET	1							
19	2	129150-49811	GASKET, THERMOSTAT	1							
20	2	22190-120002	WASHER, SEAL 12	2							
21	2	22190-080002	WASHER, SEAL 6	7							
22	2	22190-220002	WASHER, SEAL 22	1							
23	2	23414-100000	GASKET, 10X1.0	2							
24	2	23414-120000	GASKET, 12X1.0	2							
25	2	124465-44950	GASKET, 16	1							
26	2	24311-240100	O-RING, 1AP10A	1							
27	2	24311-000120	O-RING, 1AP12.0	3							
28	2	24311-000160	O-RING, 1AP16.0	3							
29	2	24311-000320	O-RING, 1AP32.0	2							
30	2	24341-000240	O-RING, 1AS24.0	1							
31	2	24341-000500	O-RING, 1AS50.0	1							
32	2	129150-49360	GASKET	1							
33	1	129400-92420	FLEX HORN	1							1
34	1	977770-01212	GASKET, LIQUID	1							1

Remarks
(1) OPTIONAL PART.

Parts No. Index

Parts No.	Fig. No.	Ref. No.
101304-59020	14	21
103854-39140	14	20
104200-55321	14	4
104200-55330	14	5
104200-55750	14	6
105025-59530	13	56
	14	24
105250-07310	17	1
105300-51300	11	27
114250-53080	13	5
114250-53120	13	9
114250-53130	13	10
114250-53140	13	11
114250-53210	13	12
114250-53400	13	13
119005-12510	5	19
119032-12250	5	10
119225-52102	14	17
119248-49010	10	44
119260-34810	9	17
119305-59120	13	20
119620-01750	3	3
119620-77421	16	4
119620-77460	16	2
119620-77470	16	3
119620-77710	16	17
119620-79200	16	5
119620-79210	16	6
119620-79220	16	7
119620-79230	16	8
119620-79240	16	10
119620-79250	16	11
119620-79290	16	18
119620-79300	16	19
119620-79310	16	20
119620-79320	16	21
119620-79330	16	22
119620-79340	16	25
119620-79350	16	23
119625-11871	4	25
	18	6
119625-11880	4	26
	18	7
119625-11900	4	27
119632-77920	16	36
119640-01640	3	7
119643-66900	16	31
119650-77910	16	33
119660-61491	12	31
119660-61901	12	94

Parts No.	Fig. No.	Ref. No.
119666-91140	16	38
119840-59560	13	43
119840-59570	13	44
119843-61500	12	32
119843-61540	12	47
119865-21600	8	16
120130-11860	4	11
121111-21501	8	12
121250-44590	10	38
121250-59550	13	42
121252-39450	9	36
121256-44600	10	42
121256-59571	14	19
121267-44741	10	23
121400-11340	4	22
	18	13
121400-44630	9	38
121400-44650	10	43
121422-12580	5	21
121450-01560	2	6
121450-42450	10	31
121470-44540	10	40
121550-23200	8	30
121550-49111	10	26
121820-12560	5	20
121850-21680	8	11
121850-51960	2	12
	18	4
121872-12700	5	13
121975-12600	5	12
122117-51560	11	50
122710-51090	11	10
124066-59100	13	41
124160-01751	2	7
	4	46
124160-01910	1	5
		6
124160-11360	4	56
124160-39140	9	28
124240-01871	2	8
124240-01883	2	9
	18	3
124250-49351	10	19
124450-44510	10	52
124450-44530	10	54
124450-44550	10	41
124450-44560	10	55
124460-11340	4	23
	18	5
124465-44950	10	32

Parts No.	Fig. No.	Ref. No.
124465-44950	18	25
124550-51350	11	32
124550-51370	11	33
124550-59820	9	33
124550-66370	12	62
124574-44761	10	24
124722-42290	10	20
124732-77340	16	30
124736-07900	4	5
124756-67510	12	90
124766-59050	13	55
	14	22
124950-51190	11	17
128300-77920	16	37
128401-77440	16	12
128401-77450	16	24
129001-02800	1	16
129001-22081	8	17
129001-22500	8	19
129001-22901	8	33
129001-22950	8	35
129001-35300	9	24
129052-55620	14	1
129052-55630	14	18
129052-77220	16	1
129052-77380	16	9
129052-79260	16	13
129052-79270	16	14
129060-44500	10	33
129100-01580	3	1
		15
	8	2
129100-01640	3	16
129100-11100	4	17
129100-11110	4	18
129100-23910	8	29
129100-25061	7	9
129100-52200	11	94
129100-55650	14	11
129100-55670	14	3
129100-55680	14	8
129100-55690	14	9
129100-55700	14	12
129100-59951	13	46
129100-61400	12	16
129100-61440	12	23
129100-61650	12	56
129107-42002	10	1
129107-44590	10	34
129116-61890	12	60

Parts No.	Fig. No.	Ref. No.
129120-77501	5	6
129129-61801	12	57
129129-77240	15	10
129129-77260	15	19
129129-77270	15	20
129129-77340	15	27
129129-77350	15	28
129129-77362	15	2
129129-77370	15	29
129136-34820	9	37
129150-01200	1	30
129150-02020	1	8
129150-02450	7	4
129150-02870	1	32
129150-02930	1	25
129150-02940	1	35
129150-03020	4	47
129150-03070	4	48
129150-03080	4	49
129150-03100	2	11
129150-11230	4	38
129150-11280	4	33
129150-11370	4	24
129150-11750	4	40
129150-11810	4	13
129150-14101	7	7
129150-14200	7	1
129150-14400	7	2
129150-21200	8	5
129150-23600	8	31
129150-23610	8	39
129150-25101	7	10
129150-25900	7	15
129150-25920	7	13
129150-32020	9	14
	18	14
129150-35041	9	18
	18	15
129150-35042	9	18
129150-35101	9	21
129150-35111	9	22
	18	16
129150-35151	9	23
129150-35350	9	25
129150-42020	10	15
	18	17
129150-42320	10	10
129150-49080	10	47
129150-49100	10	46
129150-49360	10	16

Parts No. Index

Parts No.	Fig. No.	Ref. No.
129150-49360	18	32
129150-49811	10	30
	18	19
129150-59131	13	23
129150-59580	13	45
129150-77511	5	7
	18	9
129150-91400	2	25
129155-11260	4	31
129155-11270	4	32
129155-49800	10	29
129155-51020	11	5
129155-51050	11	8
129155-51060	11	9
129155-51140	11	14
129155-51180	11	16
129155-51200	11	18
129155-51270	11	25
129155-51280	11	26
	12	2
129155-51320	11	30
129155-51340	11	31
129155-51370	11	34
129155-51380	11	35
129155-51390	11	36
129155-51410	11	38
129155-51420	11	39
129155-51450	11	40
129155-51521	11	46
129155-51530	11	47
129155-51540	11	48
129155-51550	11	49
129155-51570	11	52
129155-51580	11	53
129155-51591	11	54
129155-51600	11	55
129155-51790	11	78
129155-51930	11	80
129155-51940	11	81
129155-52050	11	93
129155-61050	12	5
129155-61060	12	6
129155-61070	12	7
129155-61120	12	8
129155-61130	12	9
129155-61140	12	10
129155-61201	12	11
129155-61341	12	15
129155-61430	12	19
129155-61450	12	24

Parts No.	Fig. No.	Ref. No.
129155-61460	12	25
129155-61480	12	26
129155-61810	12	58
129155-61830	12	59
129155-61950	12	61
129156-51910	11	79
129202-22300	8	23
129255-61080	12	80
129350-49530	10	27
129400-01520	2	5
129400-01730	3	10
129400-11350	4	45
129400-13201	6	7
	18	12
129400-92420	18	33
129407-01340	1	31
	18	2
129407-11700	4	7
129407-12110	5	1
	18	10
129407-12120	5	2
129407-13100	6	1
129407-13110	6	2
	18	11
129407-21000	8	1
129407-32000	9	1
129407-59910	13	37
129407-59920	13	33
129407-59940	13	25
129429-66860	12	89
129429-77011	15	1
129429-77210	15	7
129429-77220	15	8
129429-77230	15	9
129429-77250	15	13
129429-77270	15	22
129429-77280	15	23
129429-77290	15	24
129429-77310	15	4
129429-77320	15	25
129429-77330	15	26
129429-77340	15	30
129429-77350	15	14
129429-77360	15	15
129429-77370	15	16
129429-77380	15	17
129429-77390	15	18
129436-01780	3	6
129436-34800	9	16
129436-35070	9	19 -1

Parts No.	Fig. No.	Ref. No.
129436-35091	9	19
129466-77331	16	28
129470-51040	11	6
129470-51101	11	11
129486-01670	3	19
129489-21590	8	13
129503-53000	13	2
129550-11290	4	34
129550-11310	4	52
	18	8
129550-21650	8	9
129550-39450	9	29
129550-49020	10	45
129555-11241	4	30
129555-51400	11	37
129555-51500	11	45
129555-51700	11	74
129555-51710	11	75
129555-51750	11	76
129555-51760	11	77
129555-59510	14	23
129556-42350	10	21
129556-44610	10	35
129566-61450	12	81
129612-07320	17	2
129612-07330	17	3
129612-12220	5	9
129612-13580	6	8
129612-59831	13	29
129650-12500	5	17
129650-12550	5	11
129795-01780	3	18
129795-01800	2	4
129795-01900	16	26
129795-01950	2	10
129795-02411	1	28
129795-11120	4	19
129795-11180	4	20
129795-21661	8	10
129795-49551	10	28
	18	18
171010-77850	16	32
171051-01921	1	7
171301-01600	3	2
171350-03090	4	1
171350-13650	6	9
171353-61710	12	87
174307-51170	11	15
174307-51560	11	51
174307-51700	12	33

Parts No.	Fig. No.	Ref. No.
194990-22050	6	10
22117-040000	12	63
22117-080000	12	91
22190-060002	12	77
22190-080002	2	23
		24
	9	34
	18	21
22190-100002	12	78
22190-120002	12	79
	14	25
	18	20
22190-160002	11	90
22190-220002	3	9
	18	22
22217-050000	11	95
	12	54
22217-060000	11	82
22217-120000	7	16
22252-000260	8	24
22272-000040	12	64
22272-000070	12	92
22287-120000	12	66
22351-040010	8	8
22351-050010	11	83
22351-060012	4	28
22372-040000	12	67
22372-080000	12	93
22512-070140	7	8
	8	6
23000-013000	10	51
23000-060000	5	14
23000-080000	5	15
23000-090000	5	16
23010-038000	10	39
23061-070230	10	56
23414-100000	9	35
	18	23
23414-120000	13	54
	18	24
23871-010000	1	11
23871-030000	1	15
23887-100002	12	68
24101-063034	11	84
24311-000120	4	3
	18	27
24311-000160	2	13
	9	26
	14	14
	18	28

Parts No. Index

Parts No.	Fig. No.	Ref. No.
24311-000320	2	14
	4	53
	18	29
24311-240100	9	39
	12	69
	14	7
	18	26
24321-000650	14	10
24341-000160	11	85
24341-000240	2	27
	18	30
24341-000500	4	54
	18	31
26014-060122	10	36
26014-060252	10	25
26014-080202	6	3
26014-080502	16	29
26022-050102	11	86
	12	70
26022-060162	11	87
26023-050102	12	71
26106-060102	12	65
26106-060162	2	28
26106-060202	12	72
26106-060252	12	73
26106-080122	2	15
26106-080142	4	6
26106-080162	1	29
	2	16
26106-080202		17
	3	12
	4	55
	2	18
26106-080252	5	4
	9	27
	10	22
26106-080352	3	13
	4	43
26106-080402	3	20
	5	8
	9	20
26106-080452	6	4
26106-080502	2	19
	3	14
26106-080552		14 -1
	7	14
	3	22
26106-080502	4	44
	5	5
	2	20

Parts No.	Fig. No.	Ref. No.
26106-080552	9	20 -1
	10	17
26106-080602	10	18
26106-080852	2	21
26106-081002	14	16
26113-050082	12	55
26116-050302	11	88
26116-120252	15	31
26206-100252	3	4
26206-100302	3	5
26216-060202	4	15
26216-080222	6	5
26216-080402	6	6
26226-080182	4	41
26366-060002	4	29
26366-080002	2	22
	12	74
26366-100002	16	27
26450-060252	9	15
26687-120002	12	88
26716-060002	11	89
26716-120002	7	17
26756-060002	12	75
26756-080002	4	42
26776-120002	12	76
27231-500000	1	12
27241-120000	1	13
27241-300000	1	14
27241-400000	4	16
27310-080001	4	21
719810-01500	2	1
729402-11650	4	37
729402-14580	7	3
729402-23100	8	25
729407-01561	1	1
729407-92660	18	1
729467-51370	11	1
729503-53100	13	1
977770-01212	2	29
	3	21
	18	34
X0283060061	15	3
X9490561370	15	5
X9491200240	15	6

Parts No.	Fig. No.	Ref. No.
-----------	----------	----------

Parts No.	Fig. No.	Ref. No.
-----------	----------	----------