

OCD10-M62100EN

PREFACE

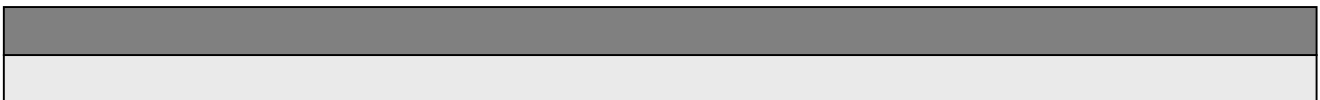
1. This Parts Catalog is the 1st edition of AJ-200ESY Diesel Engine for ASAHI.

Pub. No. : 000Y00D6210

Published : February, 1998

2. Model name

Engine model	Vehicle		Vehicle made by
	Products	Model name	
AJ-200ESY	HIGH PRESSURE JET CLEANERS	—	ASAHI



Directions for the Parts Catalog.

- The parts stipulated in this Parts Catalog are not necessarily standard equipped parts.
- Parts may change without prior notice.
- The following is an example of the Parts Catalog format.

REF.	LEV.	PARTS NO.	DESCRIPTION	Q'TY						I	R
				(A)	(B)	(C)	(D)	(E)	(F)		
1	1	729595-51390	FUEL INJECTION PUMP	1	1	1	1	1			1
1-1	1	729595-51391	FUEL INJECTION PUMP	1	1	1	1	1		N	1
		(A=E00185) (B=E00200)									
3	2	26022-060162	SCREW M 6X 16	9	9	9	9	9			
3-1	2	26022-060162	SCREW M 6X 16	4	4	4	4	4		K	
		(A=E00156) (B=E00156) (C=E00156) (D=E00156) (E=E00156)									
4	2	129470-51040	CAMSHAFT	1	1	1	1	1			
5	2	122710-51050	BEARING, ROLLER	2	2	2	2	2			
6	2	129470-51060	RETAINER	1	1	1	1	1			

Remarks
(1) BOOST COMPEMSATOR TYPE. OPTIONAL PART, TO E00155,(4JH-DT, 4JH-DTZ

① Ref. No.

The Ref. No. listed may not be in accordance with the illustration Ref. No.

(Ex.) Illustration No.

List Ref No.

1

1

(Before change)

1-1

(After change)

For interchangeable symbols N, R and K, illustrations for new parts may be abbreviated.

② Lev. (Level)

Level indication

The numbers below indicate the level of relativity towards the main part.

1 ----- Main parts (Assembly parts)

2 ----- Sub component included in " 1 ".

3 ----- Sub component included in " 2 ".

Note) Parts that are not for sale are partially illustrated but not listed.

③ Interchangeability Mark

When a part change takes place, one of the following interchangeability symbols is indicated beside the part.

Symbol	Interchangeability	Contents note
N	Old $\begin{matrix} \leftarrow \text{Yes} \\ \text{No} \rightarrow \end{matrix}$ New	New Part is interchangeable for Old Part but Old Part is not interchangeable for New Part.
Q	Old $\begin{matrix} \leftarrow \text{No} \\ \text{Yes} \rightarrow \end{matrix}$ New	New Part is not interchangeable for Old Part but Old Part is interchangeable for New Part.
R	Old $\begin{matrix} \leftarrow \text{Yes} \\ \text{Yes} \rightarrow \end{matrix}$ New	New/ Old Parts are both interchangeable.
S	Old $\begin{matrix} \leftarrow \text{No} \\ \text{No} \rightarrow \end{matrix}$ New	New/ Old Parts are both not interchangeable.
W		Part newly added.
Z		Part discontinued.
F		Not interchangeable by a single part but interchangeable together with related parts.
K		Changes only for used parts quantities.

④ Effective Machine No.

When a part changes, the effective Machine No. will be indicated in the (A)-(F) column.

Product Symbol	Product No.	Product Symbol	Product No.
C	Clutch No. Compressor No.	F	Machine No. (Agricultural Equip.)
D	Drive No.	M	Machine No.
E	Engine No.		

Note 1) A date may follow the symbol. (Ex.) 1996.01

Note 2) "XXXXX" and "ZZZZZ" are for parts that could not be predicted or for engine models that could not be identified.

Note 3) (A=E00185) is the E (Engine Serial Number) for the column (A) model (in this case 4JH-DT) after the parts design change.

⑤ Remarks Mark

Figures or alphabets (symbols) are entered in the remarks column.

The comments (remarks) on parts that are indicated at the bottom of the illustration are the same symbols as those stated above.

Contents

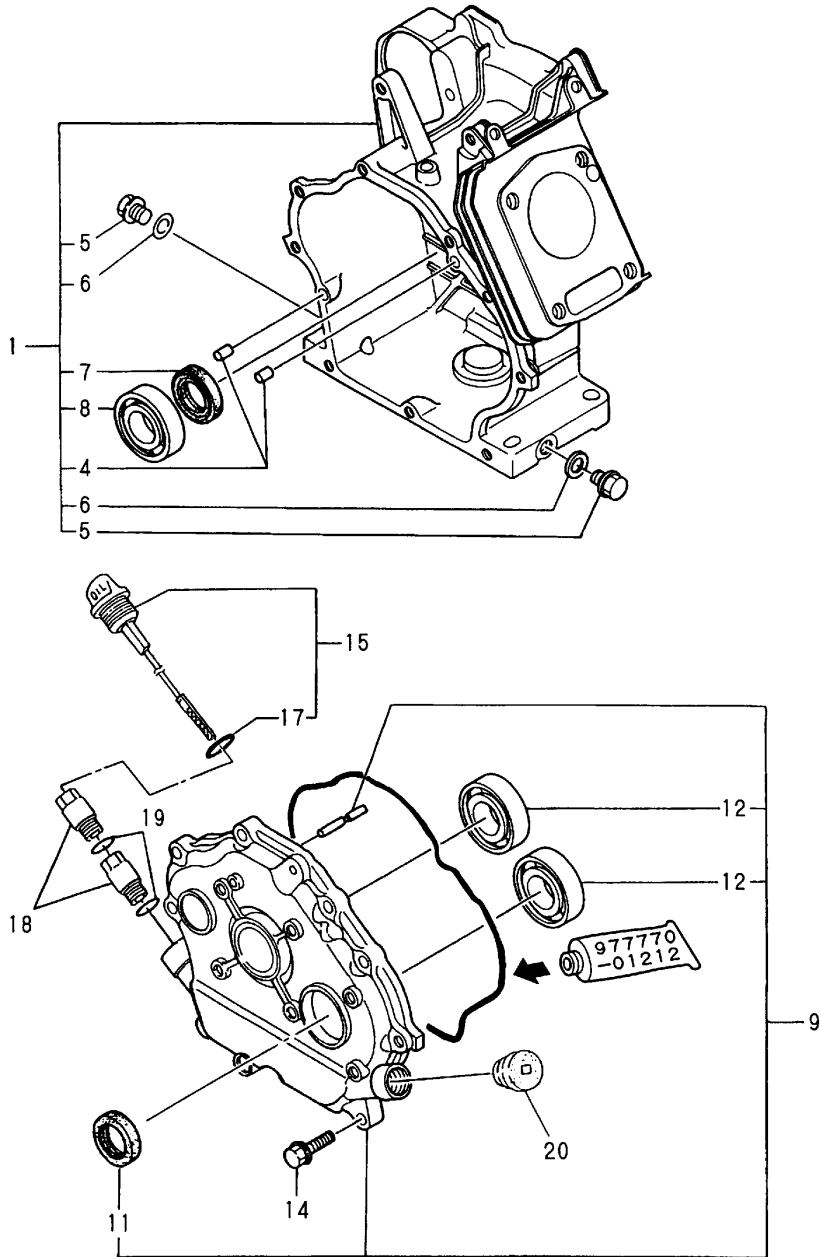
Fig. No. Fig. Name

AJ-200ESY

1. CYLINDER BLOCK
2. CYLINDER HEAD & BONNET
3. AIR CLEANER & MUFFLER
4. CRANKSHAFT, PISTON & CAMSHAFT
5. FUEL TANK & FUEL PIPE
6. CARBURETOR
7. GOVERNOR & CONTROL DEVICE
8. FLYWHEEL & STARTING DEVICE
9. TOOL & LABEL
10. SOUND-PROOF CASE
11. INSTRUMENT PANEL
12. STARTING MOTOR
13. PUMP ASSY
14. PUMP PIPING
15. PUMP PARTS

Fig. No. Fig. Name

Fig.1. CYLINDER BLOCK

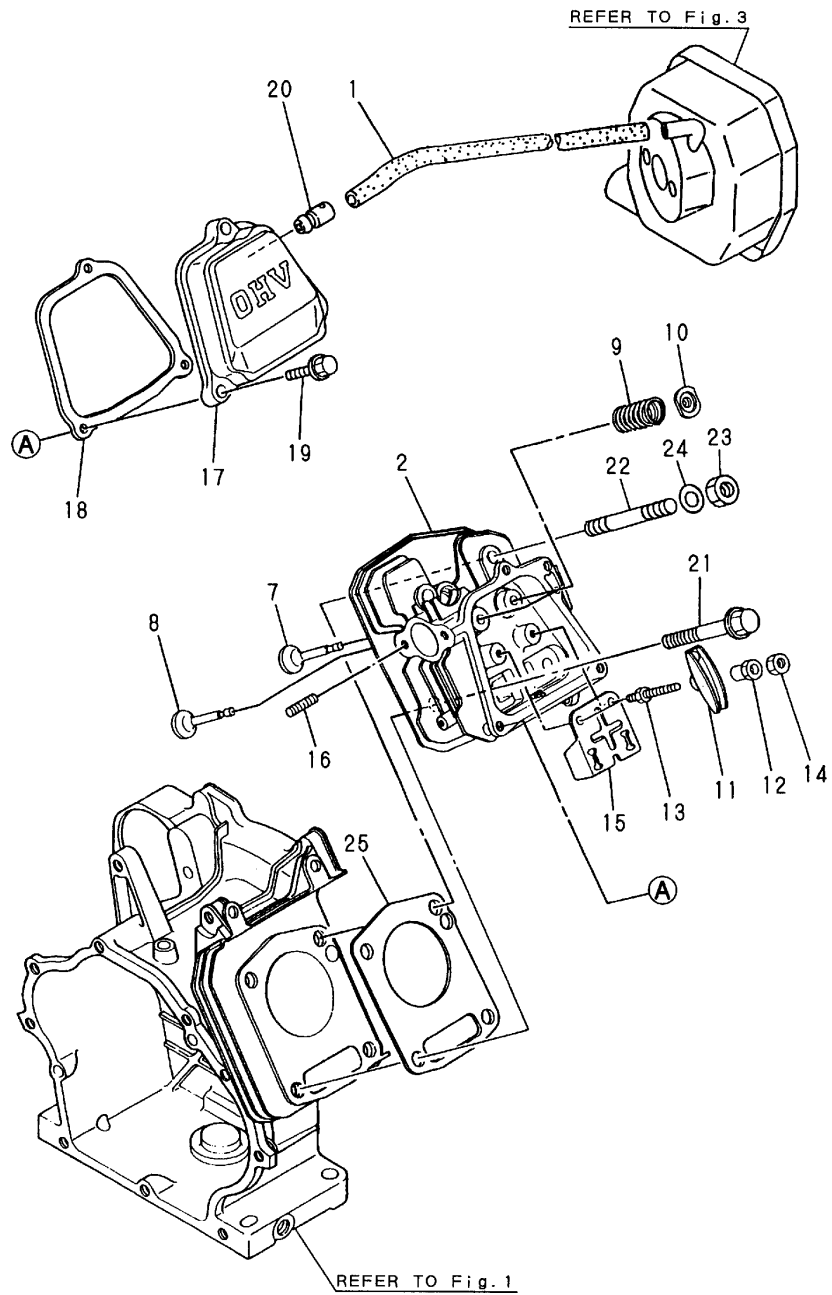


(A)=AJ-200ESY
(B)=
(C)=

(D)=
(E)=
(F)=

No.	Lev.	Parts No.	Description	Q'ty						I	R
				(A)	(B)	(C)	(D)	(E)	(F)		
1	1	760998-01741	BLOCK ASSY, CYLINDER	1							
4	2	114270-01600	PIN, M8X12	2							
5	2	160610-01690	PLUG, M12	2							
6	2	104200-59170	GASKET, 12	2							
7	2	160110-02220	SEAL, OIL	1							
8	2	24101-062060	BEARING, BALL 6206C3	1							
9	1	760890-01511	COVER ASSY	1							
11	2	160110-02220	SEAL, OIL	1							
12	2	24101-062060	BEARING, BALL 6206C3	2							
14	1	26106-080302	BOLT, M8X 30 PLATED	9							
15	1	160797-01760	CAP ASSY	1							
17	2	24311-000180	O-RING, 1AP18.0	1							
18	1	160797-01851	JOINT	2							
19	1	24311-000180	O-RING, 1AP18.0	2							
20	1	160110-01870	PLUG, RUBBER	1							

Fig.2. CYLINDER HEAD & BONNET



(A)=AJ-200ESY

(B)=

(C)=

(D)=

(E)=

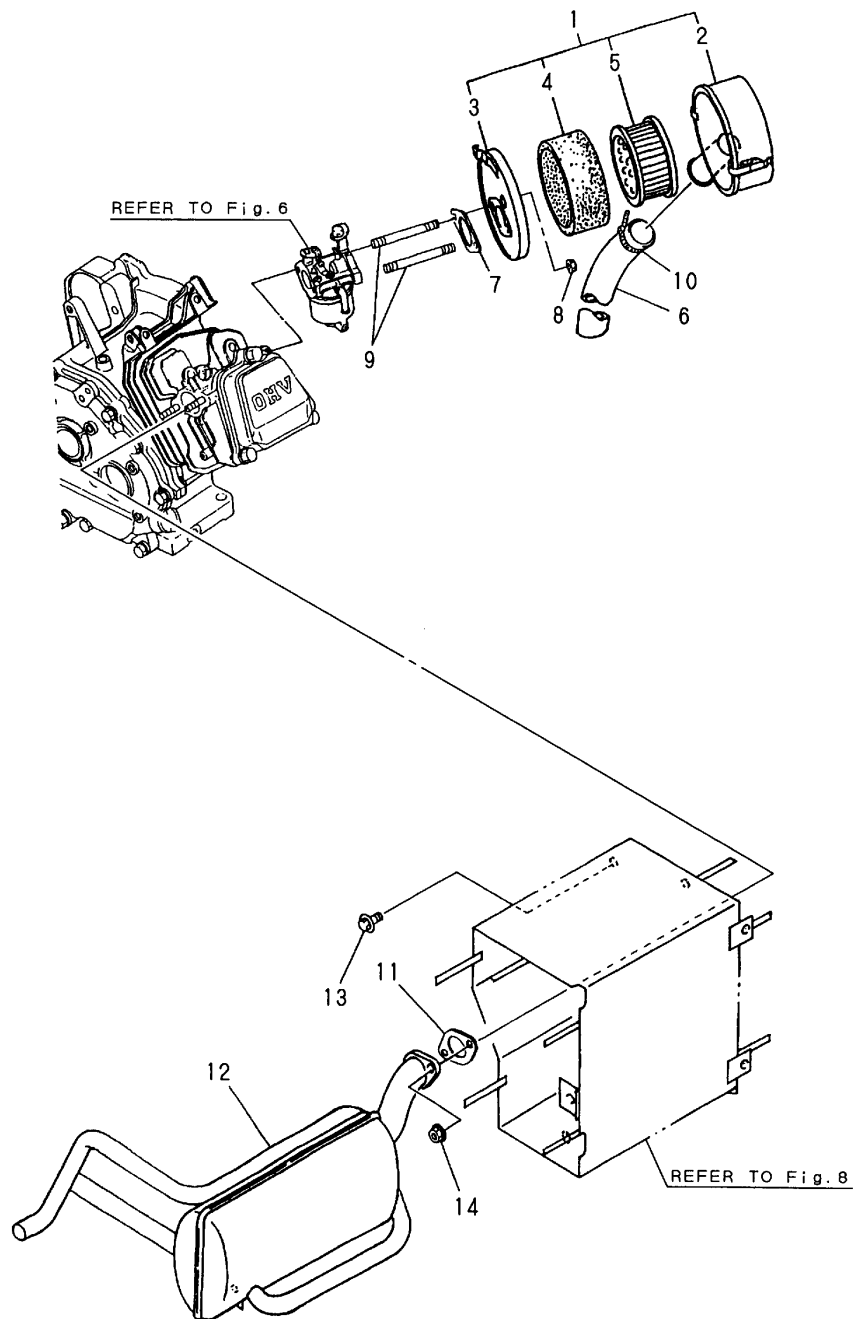
(F)=

No.	Lev.	Parts No.	Description	Q'ty						I	R
				(A)	(B)	(C)	(D)	(E)	(F)		
1	1	160820-03180	PIPE , BREATHER	1							
2	1	160890-11011	HEAD ASSY, CYLINDER	1							
7	1	160890-11100	VALVE, INTAKE	1							
8	1	160890-11110	VALVE, EXHAUST	1							
9	1	160890-11120	SPRING, VALVE	2							
10	1	160810-11180	RETAINER, SPRING	2							
11	1	160890-11201	ARM, ROCKER	2							
12	1	160690-11220	PIVOT, ROCKER ARM	2							
12-1	1	160690-11221	PIVOT, ROCKER ARM	2							N
(A=EZZZZZ)											
13	1	160690-11271	BOLT	2							
14	1	160690-11280	NUT, M6X0.5	2							
15	1	160890-11290	PLATE, GUIDE	1							
16	1	26216-080182	STUD, M8X 18	2							
17	1	160890-11300	BONNET ASSY, HEAD	1							
18	1	160890-11310	GASKET, BONNET	1							
19	1	26106-060352	BOLT, M6X 35 PLATED	3							
20	1	160610-03050	BREATHER ASSY	1							
21	1	160890-01210	BOLT, FLANGE M10X70	2							
22	1	160998-01200	BOLT, HEAD M10	2							
23	1	26366-100002	NUT, M10	2							
24	1	105425-01250	WASHER	2							
25	1	160998-01330	GASKET, HEAD	1							

Fig.3. AIR CLEANER & MUFFLER

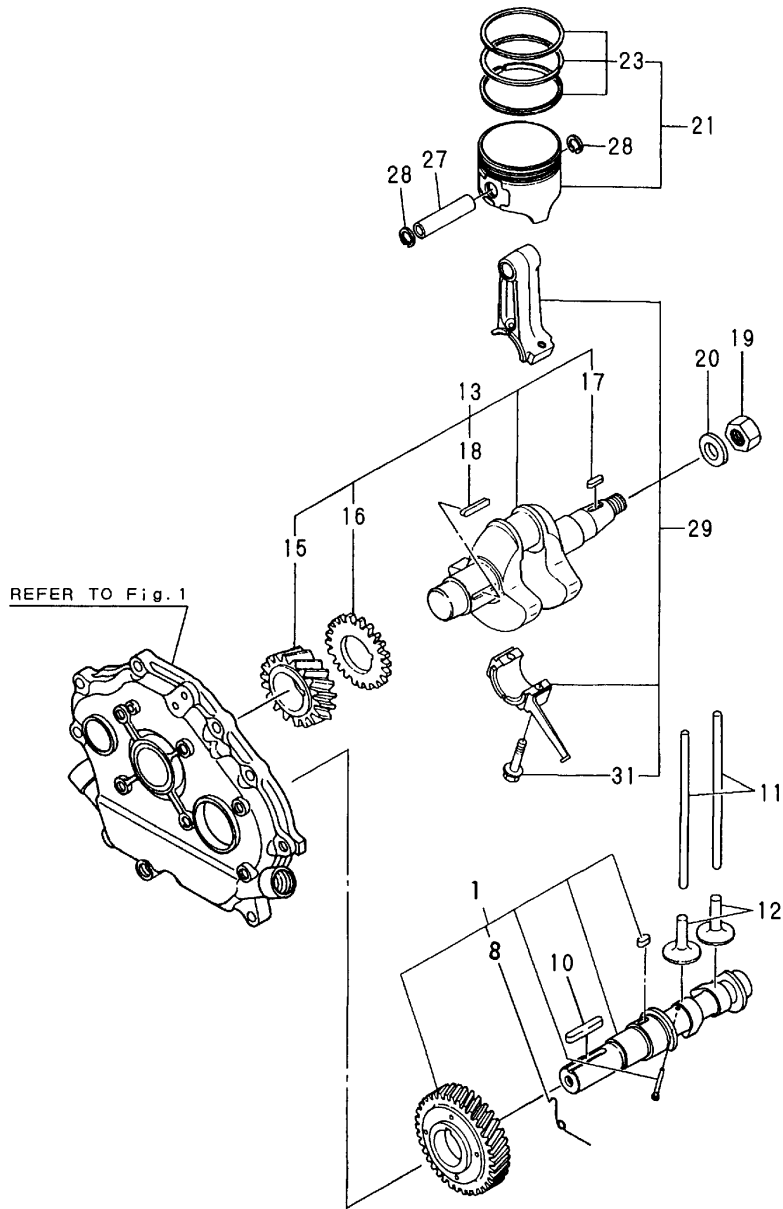
(A)=AJ-200ESY
(B)=
(C)=

(D)=
(E)=
(F)=



No.	Lev.	Parts No.	Description	Q'ty						I	R
				(A)	(B)	(C)	(D)	(E)	(F)		
1	1	160998-12560	CLEANER ASSY, AIR	1							
2	2	160998-12710	BODY	1							
3	2	160998-12720	PLATE	1							
4	2	160998-12730	ELEMENT, 1ST	1							
5	2	160998-12740	ELEMENT, 2ND	1							
6	1	160998-12910	PIPE, AIR INTAKE	1							
7	1	160910-56150	GASKET, CARBURETOR	1							
8	1	26366-080002	NUT, M8	2							
9	1	26226-080802	STUD, M8X 80	2							
10	1	194250-51660	BAND 250	1							
11	1	160890-13210	GASKET, MUFFLER	1							
12	1	183805-13500	MUFFLER	1							
13	1	26106-080142	BOLT, M8X 14 PLATED	2							
14	1	26366-080002	NUT, M8	2							

Fig.4. CRANKSHAFT, PISTON & CAMSHAFT



(A)=AJ-200ESY

(B)=

(C)=

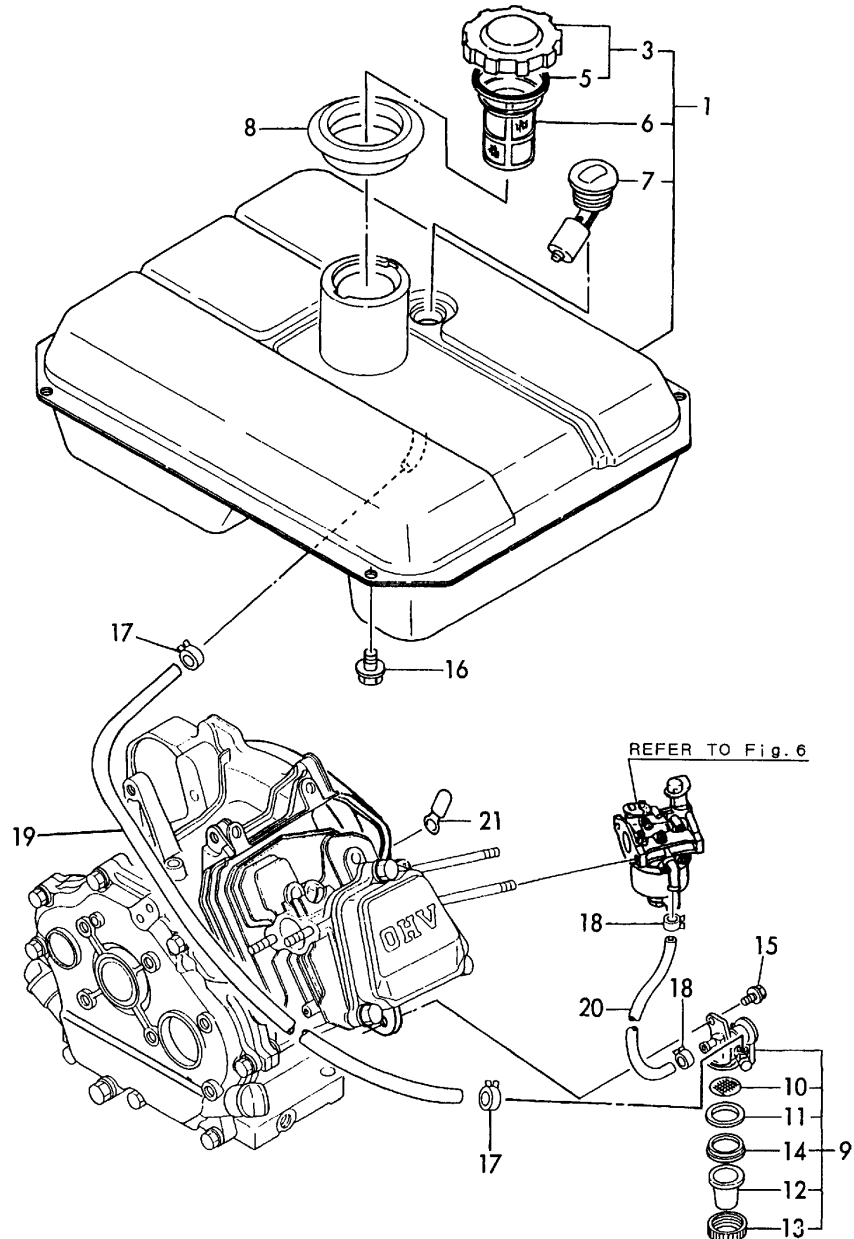
(D)=

(E)=

(F)=

No.	Lev.	Parts No.	Description	Q'ty						I	R
				(A)	(B)	(C)	(D)	(E)	(F)		
1	1	160890-14051	CAMSHAFT ASSY	1							
8	2	160890-14560	SPRING, DECOMPRESSION	1							
10	1	22512-070380	KEY, 7X 38	1							
11	1	160890-14400	ROD, PUSH	2							
12	1	160890-14200	TAPPET	2							
13	1	760998-21700	CRANKSHAFT ASSY	1							
15	2	160890-21200	GEAR, CRANKSHAFT	1							
16	2	160890-21220	GEAR, BALANCER	1							
17	2	22512-040160	KEY, 4X 16	1							
18	2	22512-040300	KEY, 4X 30	1							
19	1	26737-160002	NUT, M16	1							
20	1	22217-160000	WASHER, SPRING 16	1							
21	1	160998-22010	PISTON ASSY	1							
23	2	760998-22500	RING SET, PISTON	1							
27	1	160890-22300	PIN, PISTON	1							
28	1	22252-000190	RING, 19	2							
29	1	760890-23700	ROD ASSY, CONNECTING	1							
31	2	160810-23201	BOLT, CONNECTING ROD	2							

Fig.5. FUEL TANK & FUEL PIPE



(A)=AJ-200ESY

(B)=

(C)=

(D)=

(E)=

(F)=

No.	Lev.	Parts No.	Description	Qty						I	R
				(A)	(B)	(C)	(D)	(E)	(F)		
1	1	783833-55700	TANK ASSY, FUEL	1							
3	2	183131-55060	CAP ASSY	1							
5	3	183131-55050	GASKET	1							
6	2	160610-55100	FILTER, FUEL	1							
7	2	183621-55150	GAUGE	1							
8	1	183366-55210	GROMMET	1							
9	1	160664-55300	COCK ASSY, FUEL	1							
10	2	160710-55381	FILTER, FUEL	1							
11	2	160692-55421	PLATE	1							
12	2	160610-55390	CUP, FUEL COCK L37	1							
13	2	160710-55360	RING	1							
14	2	160710-55370	GASKET	1							
15	1	26106-060122	BOLT, M6X 12 PLATED	1							
16	1	26106-080142	BOLT, M8X 14 PLATED	4							
17	1	106990-44660	CLIP, HOSE 12.5	2							
18	1	124060-77680	CLIP, HOSE 10	2							
19	1	183705-59350	HOSE, FUEL A-390	1							
20	1	160580-59360	PIPE, FUEL	1							
21	1	160260-78700	CLAMP	1							

Fig.6. CARBURETOR

(A)=AJ-200ESY

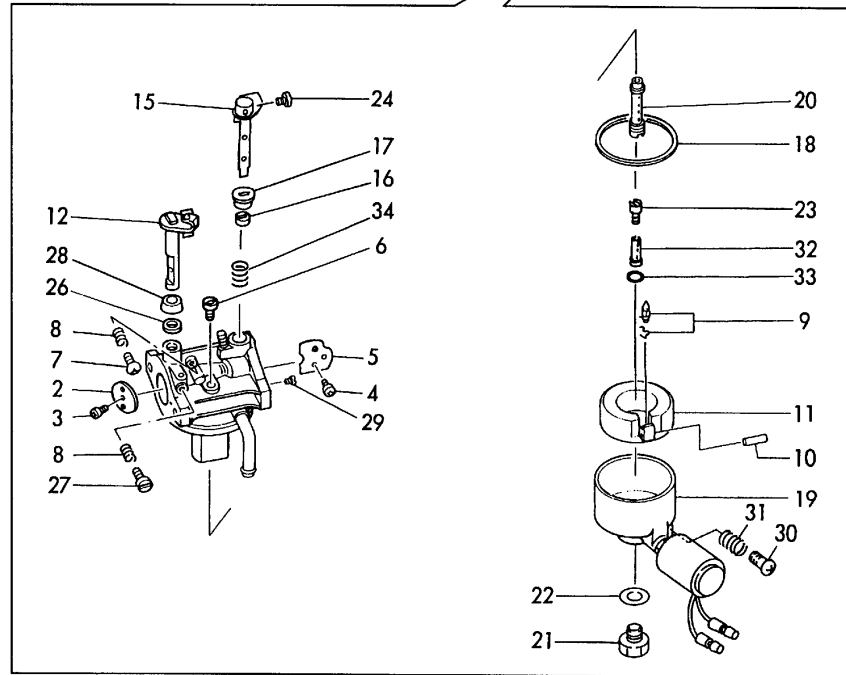
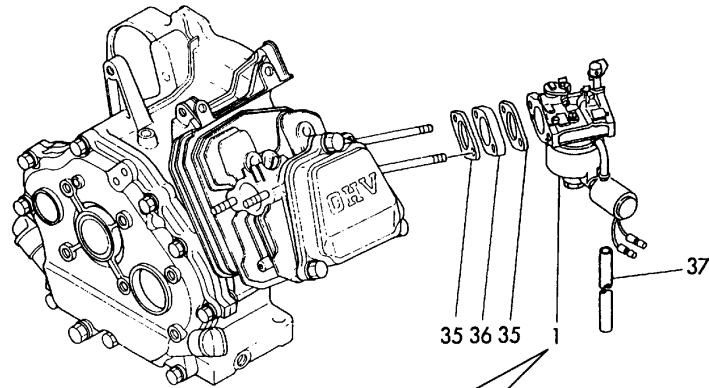
(B)=

(C)=

(D)=

(E)=

(F)=

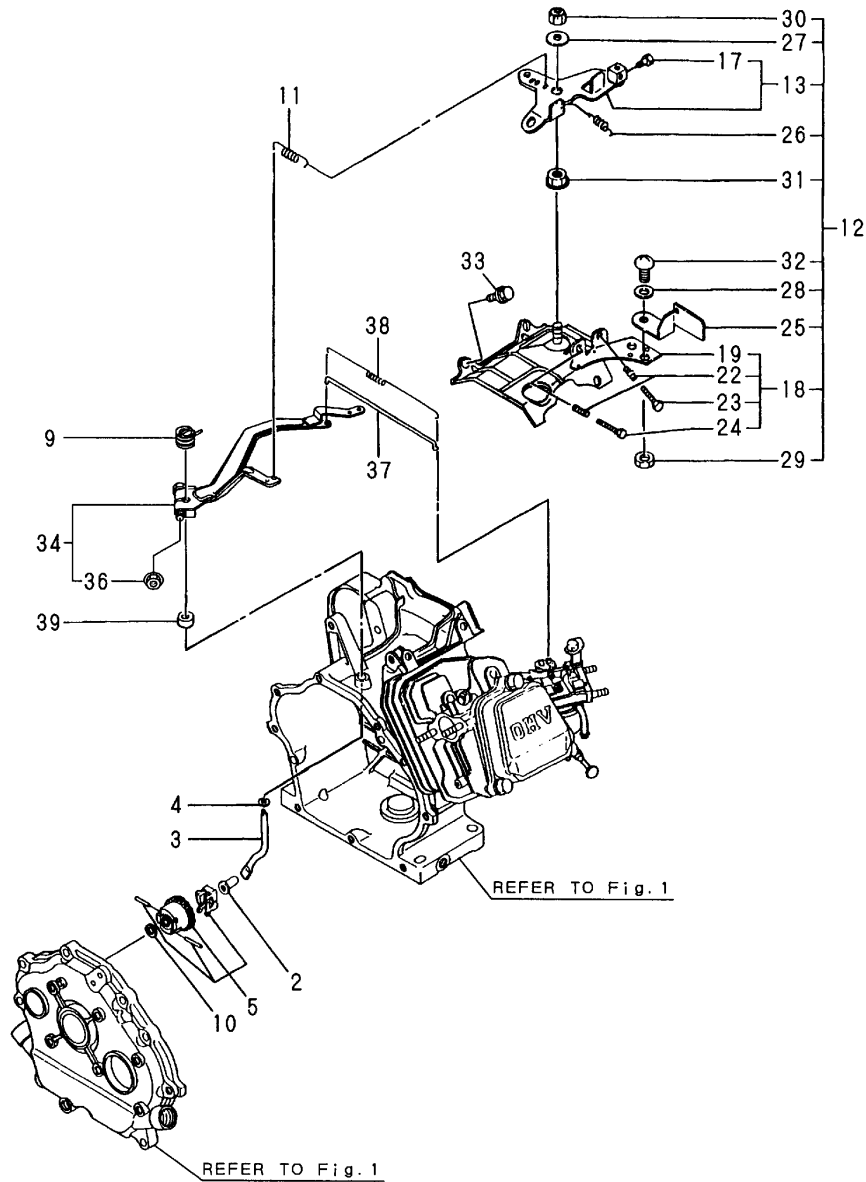


No.	Lev.	Parts No.	Description	Q'ty						I	R
				(A)	(B)	(C)	(D)	(E)	(F)		
1	1	160998-56080	CARBURETOR ASSY	1							
2	2	160992-56520	VALVE, THROTTLE	1							
3	2	160120-56670	SCREW	2							
4	2	160903-56670	SCREW	2							
5	2	160998-56620	VALVE, CHOKE	1							
6	2	160998-56630	JET, PILOT	1							
7	2	160692-56710	SCREW	1							
8	2	181230-56380	SPRING	2							
9	2	160792-56670	VALVE ASSY, NEEDLE	1							1
10	2	160610-56630	PIN, FLOAT	1							
11	2	160890-56620	FLOAT ASSY	1							
12	2	160998-56610	SHAFT, THROTTLE	1							
15	2	160998-56640	LEVER, CHOKE	1							
16	2	160810-56580	RING, CHOKE SHAFT	1							
17	2	160891-56530	RING, CHOKE LEVER	1							
18	2	160210-56610	WASHER	1							
19	2	XBV26472	BODY, FLOAT	1							
20	2	160998-56660	NOZZLE, MAIN	1							
21	2	160998-56670	HOLDER	1							
22	2	160998-56680	WASHER	1							
23	2	160998-56730	JET, MAIN	1							
24	2	26117-040088	BOLT M 4X 8 PLATED	1							
26	2	160640-56850	SEAL	1							
27	2	160667-56750	ADJUSTER	1							
28	2	160702-56720	RING	1							
29	2	160790-56610	BOLT	1							
30	2	160998-56700	SCREW	1							
31	2	160211-56950	SPRING	1							
32	2	160790-56571	NOZZLE	1							
33	2	160998-56710	O-RING	1							
34	2	160998-56720	SPRING	1							
35	1	160910-56150	GASKET, CARBURETOR	2							
36	1	160890-56160	INSULATOR	1							
37	1	160730-56880	HOSE, D5/3	1							

Remarks

(1) REPAIR PART.

Fig.7. GOVERNOR & CONTROL DEVICE

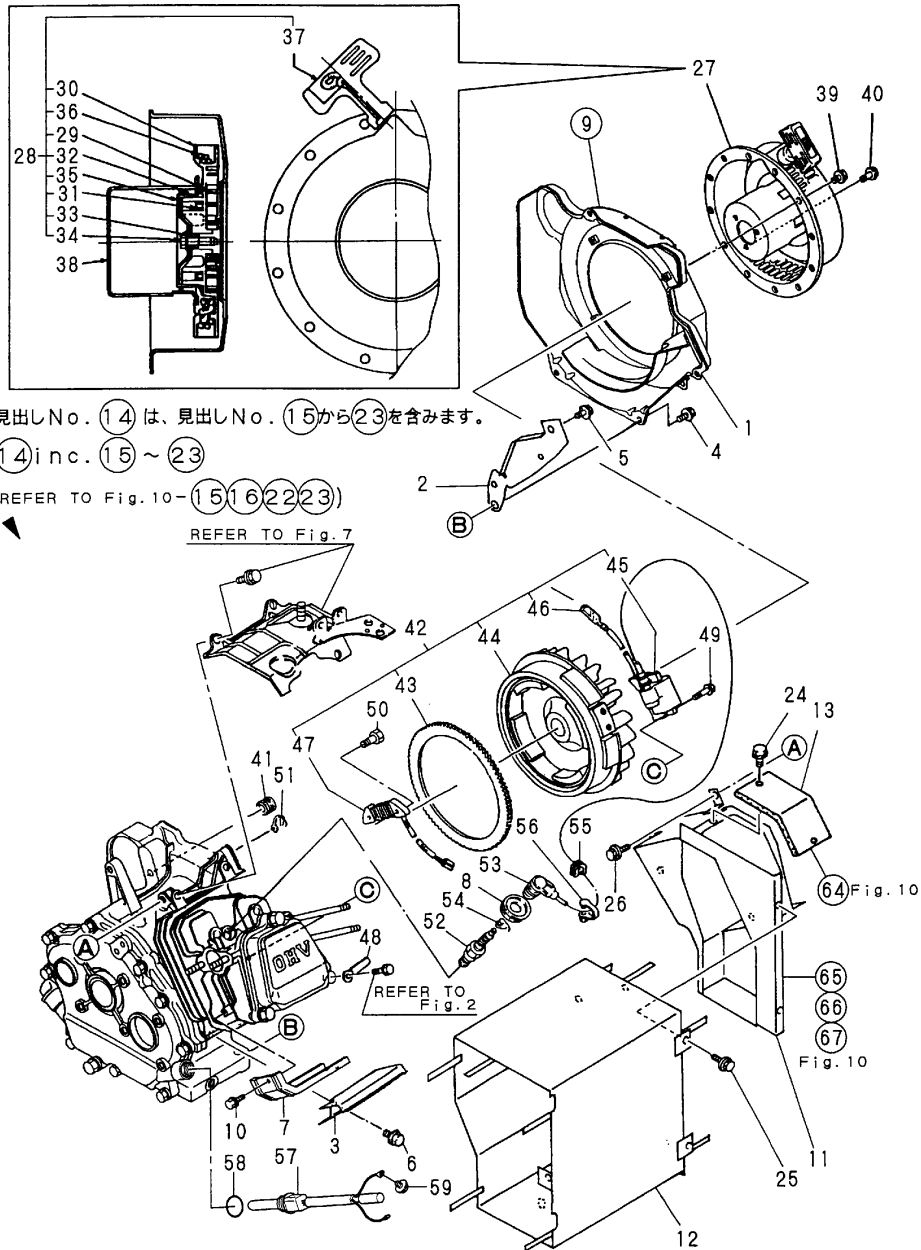


(A)=AJ-200ESY
(B)=
(C)=

(D)=
(E)=
(F)=

No.	Lev.	Parts No.	Description	Q'ty						I	R
				(A)	(B)	(C)	(D)	(E)	(F)		
2	1	160690-61301	SPINDLE	1							
3	1	160690-61311	SHAFT	1							
4	1	160690-61450	WASHER	1							
5	1	160690-61600	GEAR ASSY, GOVERNOR	1							
9	1	160890-66050	SPRING, RETURN	1							
10	1	160120-76940	WASHER	1							
11	1	160890-66010	SPRING, GOVERNOR	1							
12	1	160797-66200	CONTROLLER ASSY	1							
13	2	160692-66051	LEVER ASSY, CONTROL	1							
17	3	26117-040088	BOLT M 4X 8 PLATED	1							
18	2	160797-66210	BASE ASSY	1							
19	3	160797-66221	BASE ASSY	1							
22	3	160520-66291	SPRING	2							
23	3	26117-040257	BOLT, M4X 25 PLATED	1							
24	3	26117-040357	BOLT, M4X 35 PLATED	1							
25	2	160797-66310	LEVER, CONTROL	1							
26	2	160797-66320	SPRING, CONTROL	1							
27	2	160670-66350	COLLAR	1							
28	2	22137-040000	WASHER, 4	1							
29	2	26347-040002	NUT, M4	1							
30	2	26347-060002	NUT, M6	1							
31	2	26366-060002	NUT, M6	1							
32	2	26557-040102	SCREW, M4X10	1							
33	1	26476-060142	SCREW, TAPPING M6X14	3							
34	1	160998-66190	LEVER ASSY, GOVERNOR	1							
36	2	26366-060002	NUT, M6	1							
37	1	160998-66200	LINK, THROTTLE	1							
38	1	160690-66210	SPRING, TENSION	1							
39	1	114770-61600	SEAL, OIL	1							

Fig.8. FLYWHEEL & STARTING DEVICE



見出しNo. (14) は、見出しNo. (15)から(23)を含みます。

(14) inc. (15) ~ (23)

(REFER TO Fig.10-(15)(16)(22)(23))

REFER TO Fig.7

REFER TO Fig.2

Fig. 10

注) 図番を○で囲んでいるものは、内側に付けるスポンジ又はグラスウールを示しています。
NOTE) THE ENCIRCLED DRAWING NUMBERS INDICATES THE PARTS LINED WITH RUBBER SPONGE OR GLASS WOOL.

(A)=AJ-200ESY

(B)=

(C)=

(D)=

(E)=

(F)=

No.	Lev.	Parts No.	Description	Q'ty						I	R
				(A)	(B)	(C)	(D)	(E)	(F)		
1	1	160998-45170	CASE, COOLING FAN	1							
2	1	160998-45210	COVER	1							
3	1	160998-45310	COVER	1							
4	1	26476-060142	SCREW, TAPPING M6X14	4							
5	1	26476-060142	SCREW, TAPPING M6X14	1							
6	1	26476-060142	SCREW, TAPPING M6X14	1							
7	1	160890-45200	COVER, HEAD	1							
8	1	160797-45230	COVER	1							
9	1	160897-45920	SPONGE	2							
10	1	26476-060142	SCREW, TAPPING M6X14	2							
11	1	183805-45050	DUCT, COOLING	1							
12	1	183805-45060	DUCT, COOLING	1							
13	1	183833-45200	COVER	1							
14	1	183805-95910	INSULATOR ASSY	1							
15	2	183833-95770	INSULATOR	1							
16	2	183932-95780	INSULATOR	1							
17	2	183805-95730	INSULATOR	1							
18	2	183805-95740	INSULATOR	1							
19	2	183805-95750	INSULATOR	1							
20	2	183805-95760	INSULATOR	1							
21	2	183805-95770	INSULATOR	1							
22	2	183805-95790	INSULATOR	1							
23	2	183932-95770	INSULATOR	1							
24	1	26106-060102	BOLT, M6X 10 PLATED	4							
25	1	26106-060122	BOLT, M6X 12 PLATED	6							
26	1	26476-060142	SCREW, TAPPING M6X14	2							
27	1	160890-76050	STARTER ASSY, RECOIL	1							
28	2	160890-76250	STARTER ASSY, RECOIL	1							
29	3	160890-76510	SPRING, SPIRAL	1							
30	3	160890-76520	REEL	1							
31	3	160890-76530	SPRING, DOG	1							
32	3	160890-76540	DOG	1							
33	3	160890-76550	SPRING, BRAKE	1							
34	3	160641-76570	SCREW	1							
35	3	160890-76570	RETAINER	1							
36	3	160890-76580	ROPE, STARTER	1							
37	3	160260-76620	KNOB, STARTER	1							
38	2	160890-76590	PULLEY, STARTER	1							
39	1	26106-060082	BOLT, M6X 8 PLATED	4							
40	1	26106-060122	BOLT, M6X 12 PLATED	3							
41	1	160341-01950	PIPE	1							
42	1	160998-78060	MAGNETIC ASSY	1							
43	2	160891-78170	GEAR, RING	1							
44	2	160998-78510	ROTOR	1							
45	2	160791-78522	COIL, IGNITION	1							
46	3	160690-78230	WIRE	1							
47	2	160791-78650	COIL, CHARGE	1							
48	1	160710-78710	CLAMP, CORD	2							
49	1	26476-060252	SCREW, TAPPING M6X25	2							
50	1	26476-060252	SCREW, TAPPING M6X25	2							
51	1	29610-000650	CLAMP, SPEED 065	1							

Fig.8. FLYWHEEL & STARTING DEVICE

(A)=AJ-200ESY

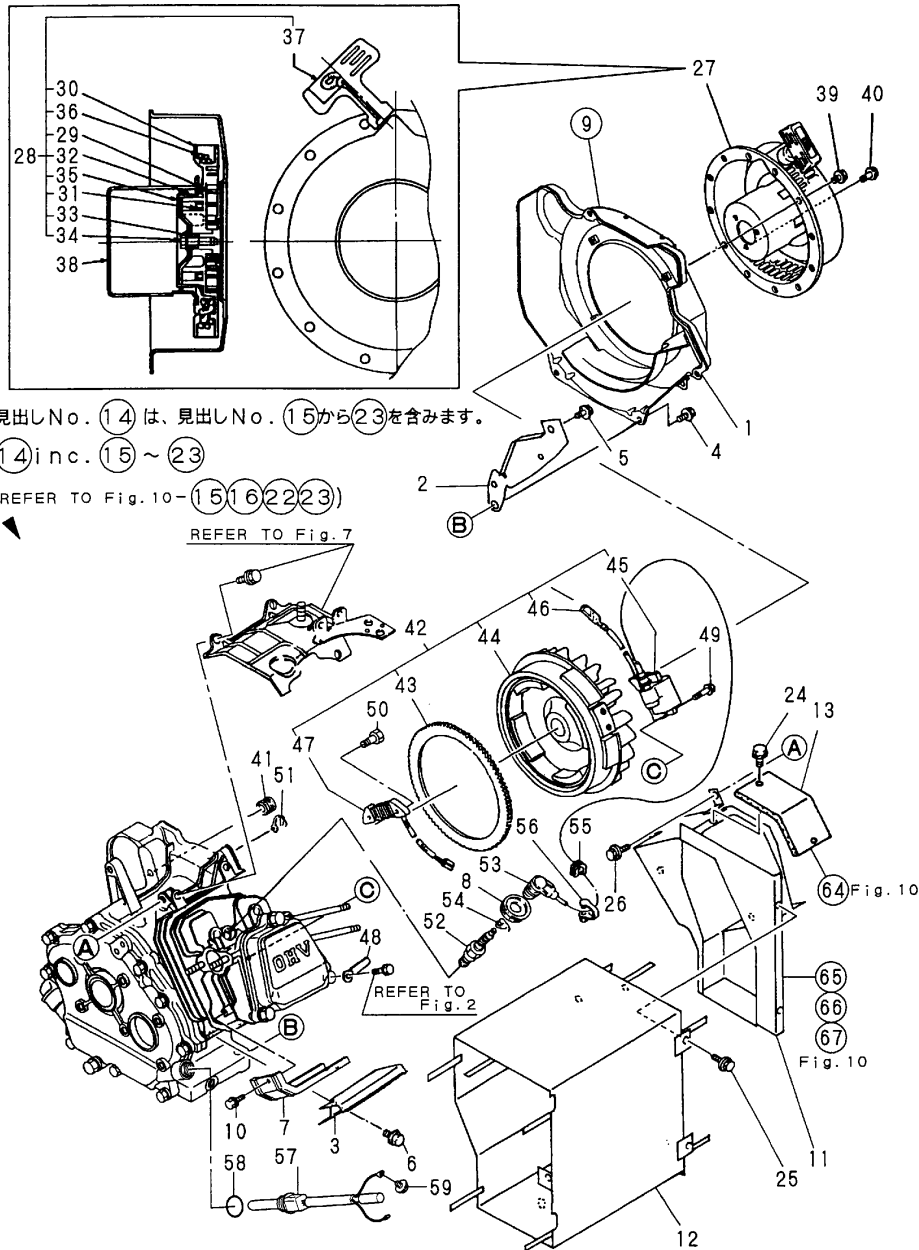
(B)=

(C)=

(D)=

(E)=

(F)=



見出しNo. (14) は、見出しNo. (15)から(23)を含みます。

(14) inc. (15) ~ (23)

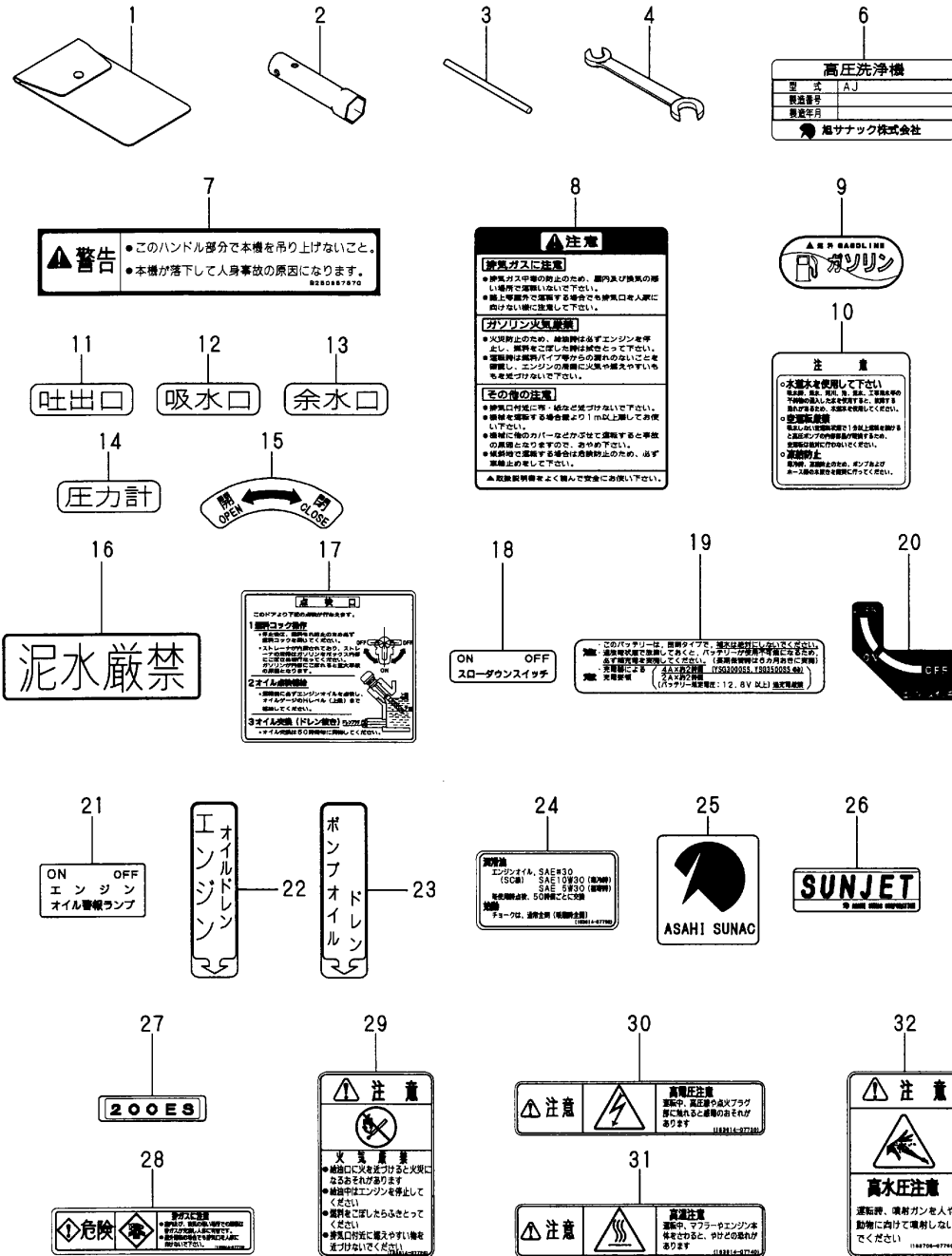
(REFER TO Fig. 10 - (15)(16)(22)(23))

REFER TO Fig. 7

注) 図番を○で囲んでいるものは、内側に付けるスポンジ又はグラスウールを示しています。
NOTE) THE ENCIRCLED DRAWING NUMBERS INDICATES THE PARTS LINED WITH RUBBER SPONGE OR GLASS WOOL.

No.	Lev.	Parts No.	Description	Q'ty						I	R
				(A)	(B)	(C)	(D)	(E)	(F)		
52	1	160998-78010	PLUG, SPARK	1							
53	1	160700-78040	CAP, PLUG	1							
54	1	160700-78050	TERMINAL, PLUG	1							
55	1	160700-78720	GROMMET	1							
56	1	29610-000950	CLAMP, SPEED 095	1							
57	1	160998-77750	SENSOR	1							
58	1	24311-000180	O-RING, 1AP18.0	1							
59	1	26106-080122	BOLT, M8X 12 PLATED	1							

Fig.9. TOOL & LABEL



(A)=AJ-200ESY

(B)=

(C)=

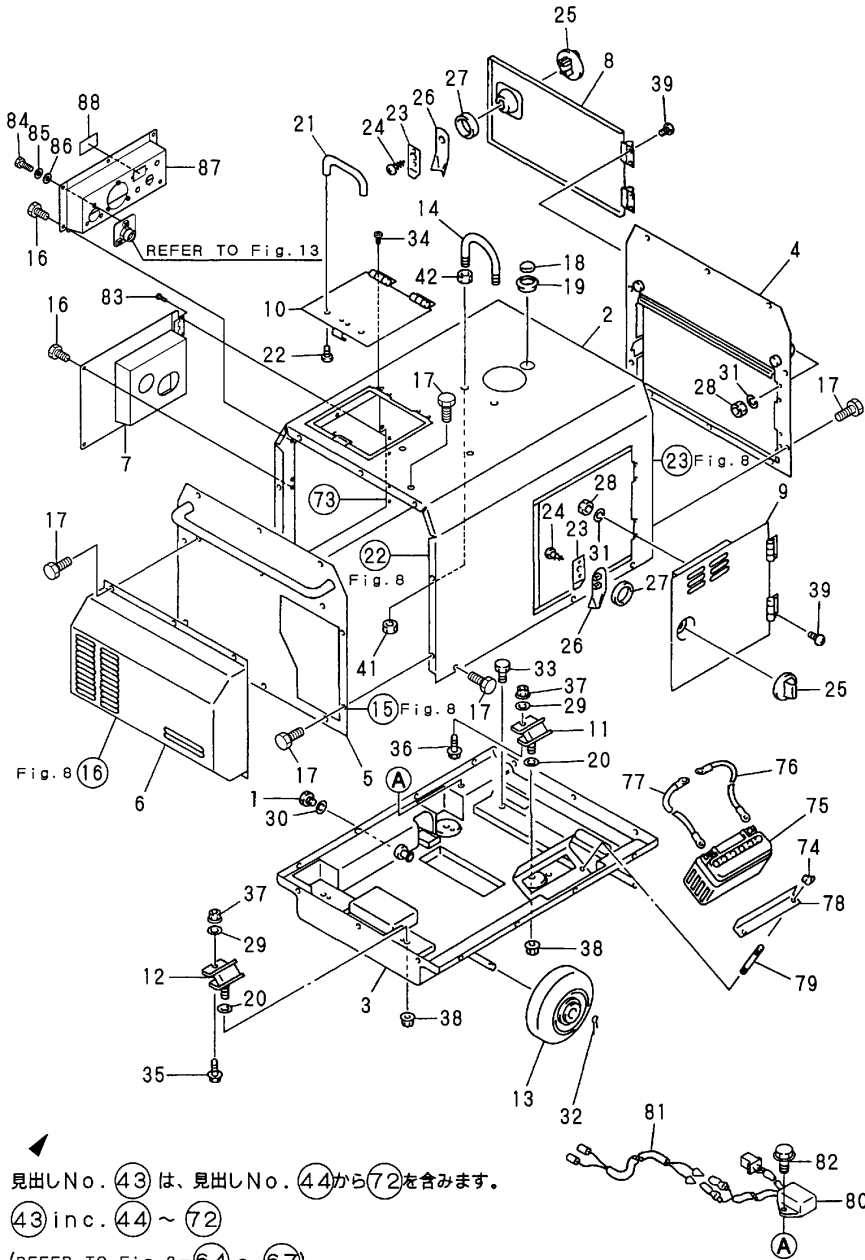
(D)=

(E)=

(F)=

No.	Lev.	Parts No.	Description	Q'ty						I	R
				(A)	(B)	(C)	(D)	(E)	(F)		
1	1	160110-92610	BAG, TOOL	1							
2	1	160120-92700	WRENCH, 21 L86	1							
3	1	160110-92710	HANDLE, WRENCH	1							
4	1	28110-100120	SPANNER, 10X12	1							
6	1	183805-07160	LABEL	1							
7	1	183805-07140	LABEL	2							
8	1	183632-07600	LABEL, CAUTION	1							
9	1	183332-07420	LABEL, GASOLINE	1							
10	1	183705-07281	LABEL	1							
11	1	183705-07290	LABEL	1							
12	1	183705-07300	LABEL	1							
13	1	183705-07310	LABEL	1							
14	1	183705-07320	LABEL, OIL PRESSURE	1							
15	1	183702-07350	LABEL, DOOR	2							
16	1	183705-07340	LABEL	1							
17	1	183131-07360	LABEL, CHECK	1							
18	1	183131-07430	LABEL, SLOW DOWN	1							
19	1	183131-07600	LABEL	1							
20	1	183131-07450	LABEL, KEY SWITCH	1							
21	1	183805-07450	LABEL, OIL ALERT	1							
22	1	183805-07470	LABEL, DRAIN	1							
23	1	183805-07480	LABEL	1							
24	1	183614-07790	LABEL, OIL	1							
25	1	183805-07250	LABEL	2							
26	1	183805-07260	LABEL	1							
27	1	183805-07270	LABEL	1							
28	1	183614-07710	LABEL, EXH. GAS CAUT'N	1							
29	1	183614-07720	LABEL, NO FIRE	1							
30	1	183614-07730	LABEL, PLUG	1							
31	1	183614-07740	LABEL, CAUTION	1							
32	1	183705-07750	LABEL	1							

Fig.10. SOUND-PROOF CASE



見出しNo. (43) は、見出しNo. (44)から(72)を含みます。

(43) inc. (44) ~ (72)

(REFER TO Fig. 8-(64) ~ (67))

注) 図番を○で囲んでいるものは、内側に付けるスポンジ又はグラスウールを示しています。
NOTE) THE ENCIRCLED DRAWING NUMBERS INDICATES THE PARTS LINED WITH RUBBER SPONGE OR GLASS WOOL.

(A)=AJ-200ESY

(B)=

(C)=

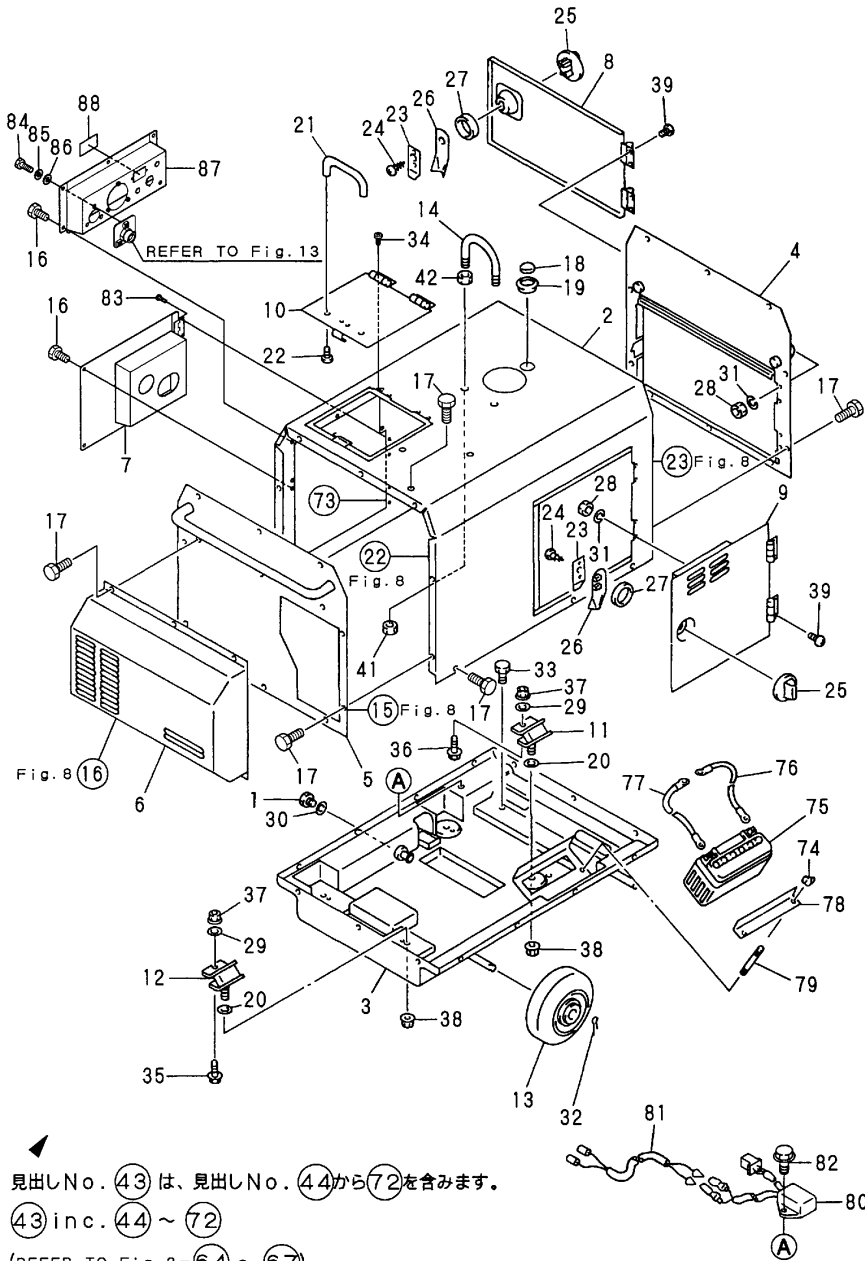
(D)=

(E)=

(F)=

No.	Lev.	Parts No.	Description	Qty						I	R
				(A)	(B)	(C)	(D)	(E)	(F)		
1	1	105425-01690	PLUG, 16	1							
2	1	183805-08300-2	CASE	1							
3	1	183805-08310	CASE	1							
4	1	183805-08070-3	CASE	1							
5	1	183805-08080-3	CASE	1							
6	1	183932-08090-3	CASE, MUFFLER	1							
7	1	183805-08130	PANEL	1							
8	1	183932-08121-2	DOOR, FRONT	1							
9	1	183932-08132-2	DOOR, SIDE	1							
10	1	183703-08150-3	DOOR, AIR CLEANER	1							
11	1	183730-08210	DAMPER	2							
12	1	183830-08210	DAMPER	2							
13	1	183266-08360	WHEEL, 100	4							
14	1	183833-08490	HOOK	1							
16	1	183705-08900	BOLT	7							
17	1	183732-08900	BOLT	31							
18	1	183131-08910	WINDOW	1							
19	1	183131-08920	GROMMET	1							
20	1	160310-14550	WASHER	2							
21	1	183632-55050	KNOB	1							
22	1	26557-050082	SCREW, M5X 8	2							
23	1	1E6910-35660	PLATE, STOPPER	2							
24	1	1E6770-91500	SCREW, M2.5X16	2							
25	1	1E6460-91573	KNOB, SACKER	2							
26	1	1E6460-91580	STOPPER	2							
27	1	1E6460-91591	COLLAR, 25X32X8.6	2							
28	1	183925-91990	NUT, LOCK	8							
29	1	22117-120000	WASHER, 12	4							
30	1	22190-160002	WASHER, SEAL 16	1							
31	1	22217-030000	WASHER, SPRING 3	8							
32	1	22417-320250	PIN, COTTER 3.2X25	4							
33	1	26106-060122	BOLT, M6X 12 PLATED	3							
34	1	26557-030122	SCREW, M3X12	4							
35	1	26106-080352	BOLT, M8X 35 PLATED	2							
36	1	26106-080382	BOLT, M8X 38 PLATED	2							
37	1	26366-080002	NUT, M8	6							
38	1	26376-100002	NUT, M10	4							
39	1	26557-030122	SCREW, M3X12	8							
41	1	26712-100002	NUT, M10	2							
42	1	26757-100002	NUT, LOCK M10	2							
43	1	183805-95850	SPONGE ASSY	1							
44	2	183932-95320	SPONGE	1							
45	2	183932-95330	SPONGE	2							
46	2	183805-97940	SPONGE	1							
47	2	183932-95180	SPONGE	1							
48	2	183805-97900	SPONGE	1							
49	2	183805-97890	SPONGE	1							
50	2	183932-95240	SPONGE	1							
51	2	183702-95540	SPONGE	1							
52	2	183932-95280	SPONGE	1							
53	2	183932-95310	SPONGE	2							

Fig.10. SOUND-PROOF CASE



見出しNo. (43) は、見出しNo. (44)から(72)を含みます。

(43) inc. (44) ~ (72)

(REFER TO Fig. 8-(64) ~ (67))

注) 図番を○で囲んでいるものは、内側に付けるスポンジ又はグラスウールを示しています。
NOTE) THE ENCIRCLED DRAWING NUMBERS INDICATES THE PARTS LINED WITH RUBBER SPONGE OR GLASS WOOL.

(A)=AJ-200ESY

(B)=

(C)=

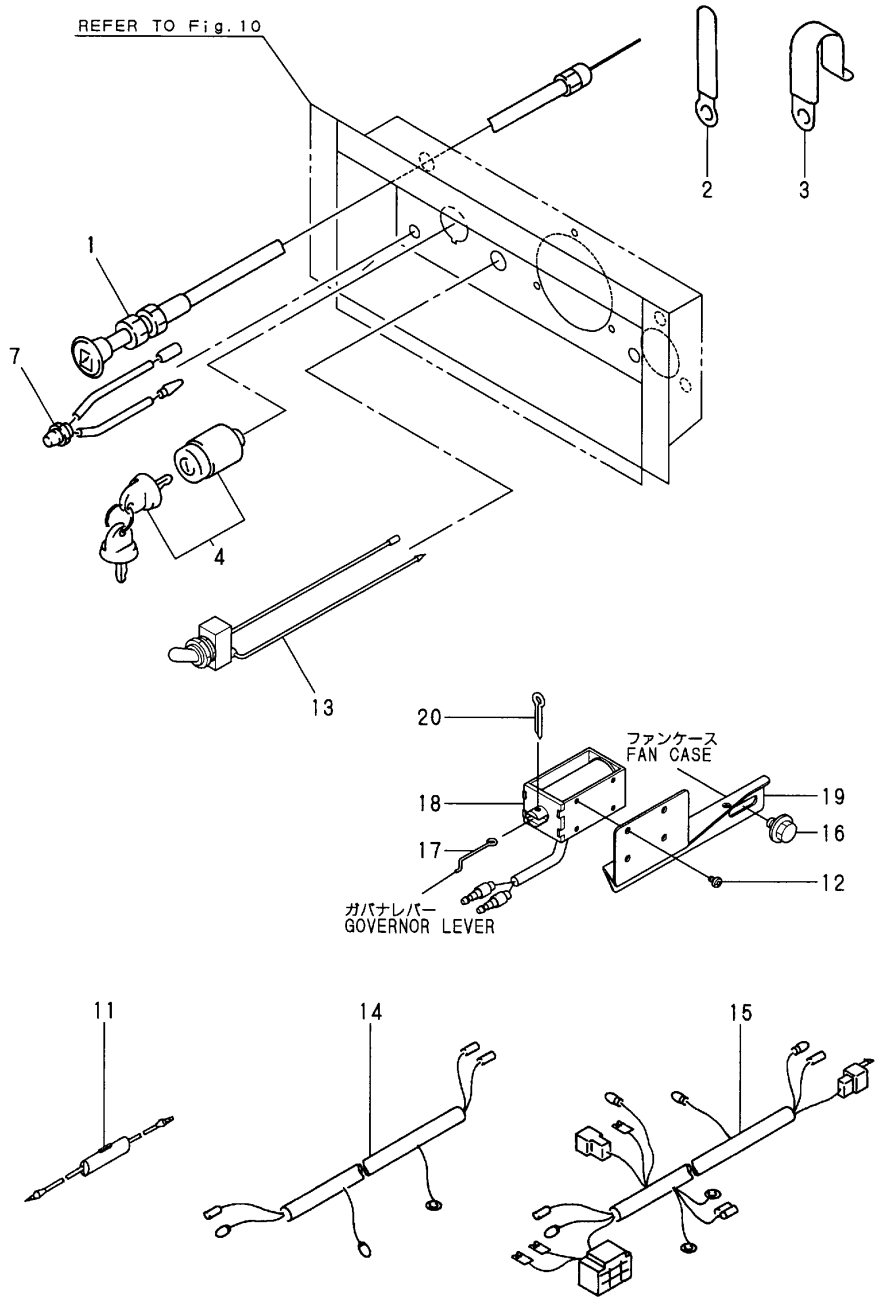
(D)=

(E)=

(F)=

No.	Lev.	Parts No.	Description	Q'ty						I	R
				(A)	(B)	(C)	(D)	(E)	(F)		
54	2	183932-95320	SPONGE	1							
55	2	183131-95310	SPONGE	2							
56	2	183131-95330	SPONGE	2							
57	2	183932-95270	SPONGE	1							
58	2	183131-95110	SPONGE	1							
59	2	183932-95310	SPONGE	1							
60	2	183932-95120	SPONGE	1							
61	2	183805-97950	SPONGE	1							
62	2	183131-95350	SPONGE	1							
63	2	183805-97910	SPONGE	1							
64	2	183805-97920	SPONGE, DUCT	1							
65	2	183805-97930	SPONGE, DUCT	1							
66	2	183805-97960	SPONGE, DUCT	1							
67	2	183805-97970	SPONGE, DUCT	1							
68	2	183805-97980	SPONGE	1							
69	2	183805-97990	SPONGE	1							
70	2	183705-97990	SPONGE	1							
71	2	183705-97890	SPONGE	1							
72	2	183805-95251	SPONGE	1							
73	1	183703-95540	SPONGE	3							
74	1	101147-12550	NUT	2							
75	1	183933-79510	BATTERY, YTX12-BS	1							
76	1	183135-79550	CABLE, BATTERY +	1							
77	1	183920-79560	CABLE, -	1							
78	1	183131-79601	RETAINER, BATTERY	1							
79	1	183932-79950	STUD, M6X145	2							
80	1	183135-91080	STOPPER	1							
81	1	183805-97630	WIRE, LEAD	1							
82	1	26106-060162	BOLT, M6X 16 PLATED	1							
83	1	26557-030122	SCREW, M3X12	4							
84	1	26113-080222	BOLT M 8X 22	3							
85	1	22213-080000	WASHER, SPRING 8	3							
86	1	22133-080000	WASHER, 8	3							
87	1	183805-08140	PANEL	1							
88	1	183805-07490	SEAT	1							

Fig.11. INSTRUMENT PANEL



(A)=AJ-200ESY

(B)=

(C)=

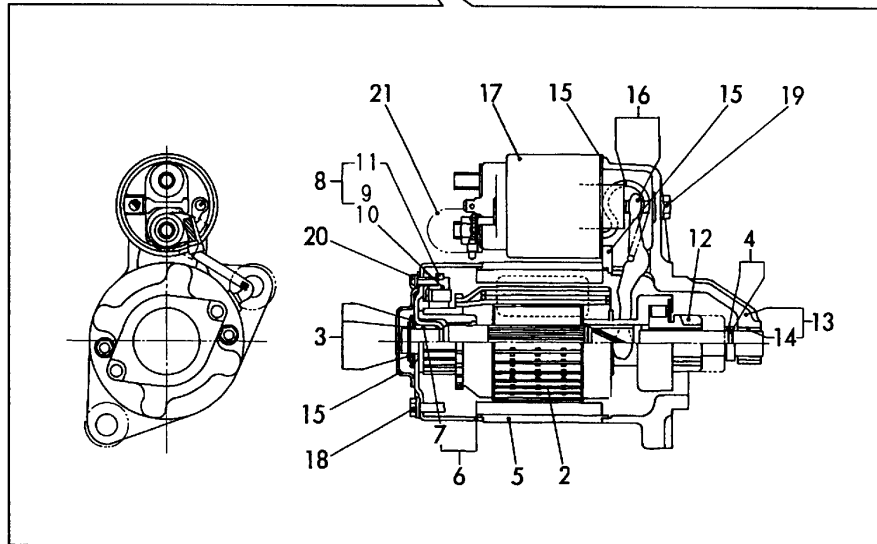
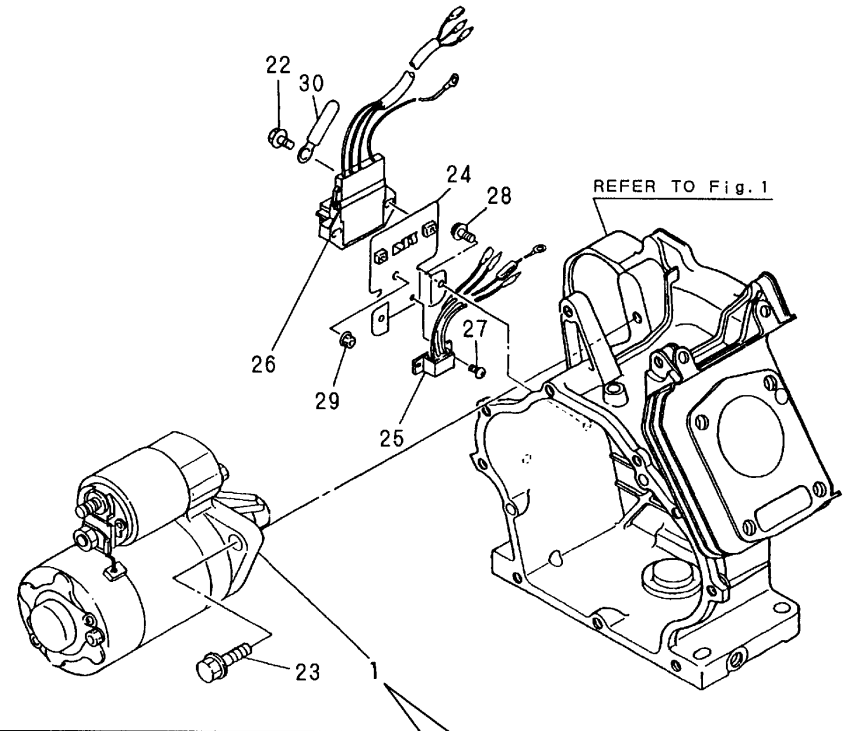
(D)=

(E)=

(F)=

No.	Lev.	Parts No.	Description	Q'ty						I	R
				(A)	(B)	(C)	(D)	(E)	(F)		
1	1	183632-56900	WIRE ASSY, CHOKE	1							
2	1	160802-78270	CLAMP, CORD	1							
3	1	160710-78710	CLAMP, CORD	1							
4	1	183920-91450	SWITCH ASSY, KEY	1							
7	1	183732-95501	ALERT ASSY	1							
11	1	183131-95640	FUSE ASSY	1							
12	1	183100-66450	SCREW, M3X4	4							
13	1	183805-91450	SWITCH	1							
14	1	183805-97600	HARNESS, WIRE	1							
15	1	183805-97610	HARNESS ASSY, WIRE	1							
16	1	26106-060082	BOLT, M6X 8 PLATED	2							
17	1	183130-66250	LINK, SOLENOID	1							
18	1	183805-74360	SOLENOID ASSY	1							
19	1	183131-79651ED	STAY, SOLENOID	1							
20	1	22417-250200	PIN, COTTER 2.5X20	1							

Fig.12. STARTING MOTOR



(A)=AJ-200ESY

(B)=

(C)=

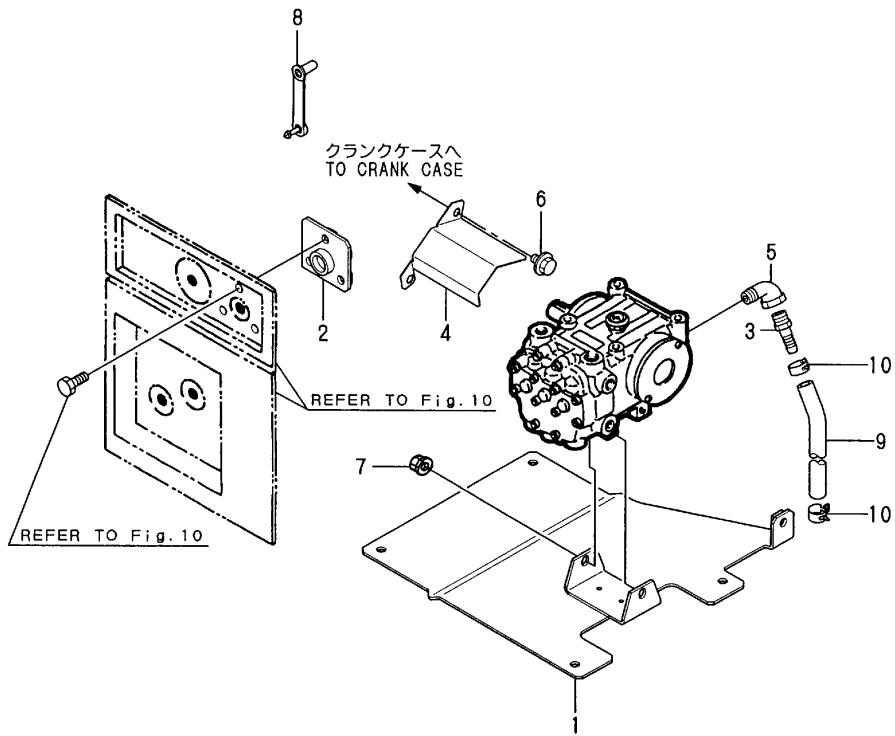
(D)=

(E)=

(F)=

No.	Lev.	Parts No.	Description	Qty						I	R
				(A)	(B)	(C)	(D)	(E)	(F)		
1	1	160891-77020	STARTER ASSY	1							
2	2	114371-77110	ARMATURE	1							
3	2	X21148110	WASHER SET, THRUST	1							
4	2	X21147155	STOPPER SET, PINION	1							
5	2	114371-77130	COIL ASSY, FIELD	1							
6	2	114371-77140	COVER ASSY, REAR	1							
7	3	X21145352	METAL	1							
8	2	114371-77160	HOLDER ASSY, BRUSH	1							
9	3	114371-79040	BRUSH (-)	2							
10	3	114371-79050	BRUSH (+)	1							
11	3	114371-79060	SPRING, BRUSH	4							
12	2	160891-77750	PINION ASSY	1							
13	2	160891-77760	HOUSING ASSY, GEARS	1							
14	3	X21145352	METAL	1							
15	2	114371-77170	COVER KIT, DUST	1							
16	2	114371-77180	LEVER KIT, SHIFT	1							
17	2	124298-77020	SWITCH, MAGNETIC	1							
18	2	124195-77770	THROUGH BOLT	2							
19	2	114371-79070	BOLT M 6X 37	2							
20	2	X21142835	SCREW SET	1							
21	2	X21142742	COVER (A), RUBBER	1							
22	1	26106-060202	BOLT, M6X 20 PLATED	2							
23	1	26106-100302	BOLT, M10X 30 PLATED	2							
24	1	160891-77310	BRACKET, ELECTRIC	1							
25	1	160891-77490	HARNESS, WIRE	1							
26	1	183232-77520	REGULATOR, RS2713	1							
27	1	26023-040102	SCREW, M4X10	2							
28	1	26106-080142	BOLT, M8X 14 PLATED	2							
29	1	26366-060002	NUT, M6	1							
30	1	29610-000650	CLAMP, SPEED 065	1							

Fig.13. PUMP ASSY



(A)=AJ-200ESY

(B)=

(C)=

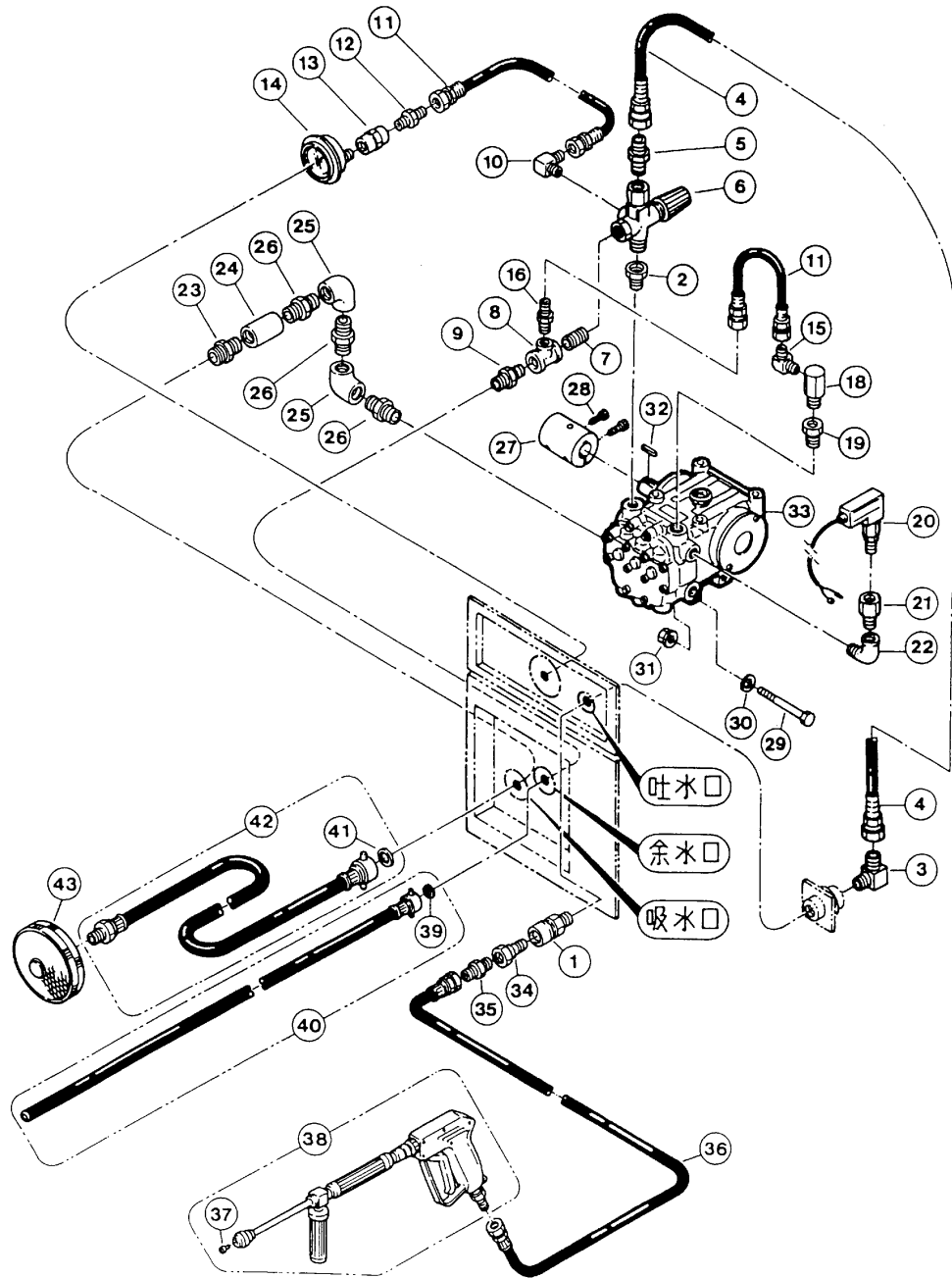
(D)=

(E)=

(F)=

No.	Lev.	Parts No.	Description	Q'ty						I	R
				(A)	(B)	(C)	(D)	(E)	(F)		
1	1	183805-95500	BRACKET, PUMP	1							
2	1	183805-96060	FLANGE	1							
3	1	183805-96290	HOSE-JOINT	1							
4	1	183805-96970	COVER	1							
5	1	23112-020007	ELBOW, R1/4	1							
6	1	26106-080122	BOLT, M8X 12 PLATED	2							
7	1	26366-080002	NUT, M8	1							
8	1	29610-000650	CLAMP, SPEED 065	1							
9	1	183896-59370	PIPE	1							
10	1	106990-44660	CLIP, HOSE 12.5	2							

Fig.14. PUMP PIPING



(A)=AJ-200ESY

(B)=

(C)=

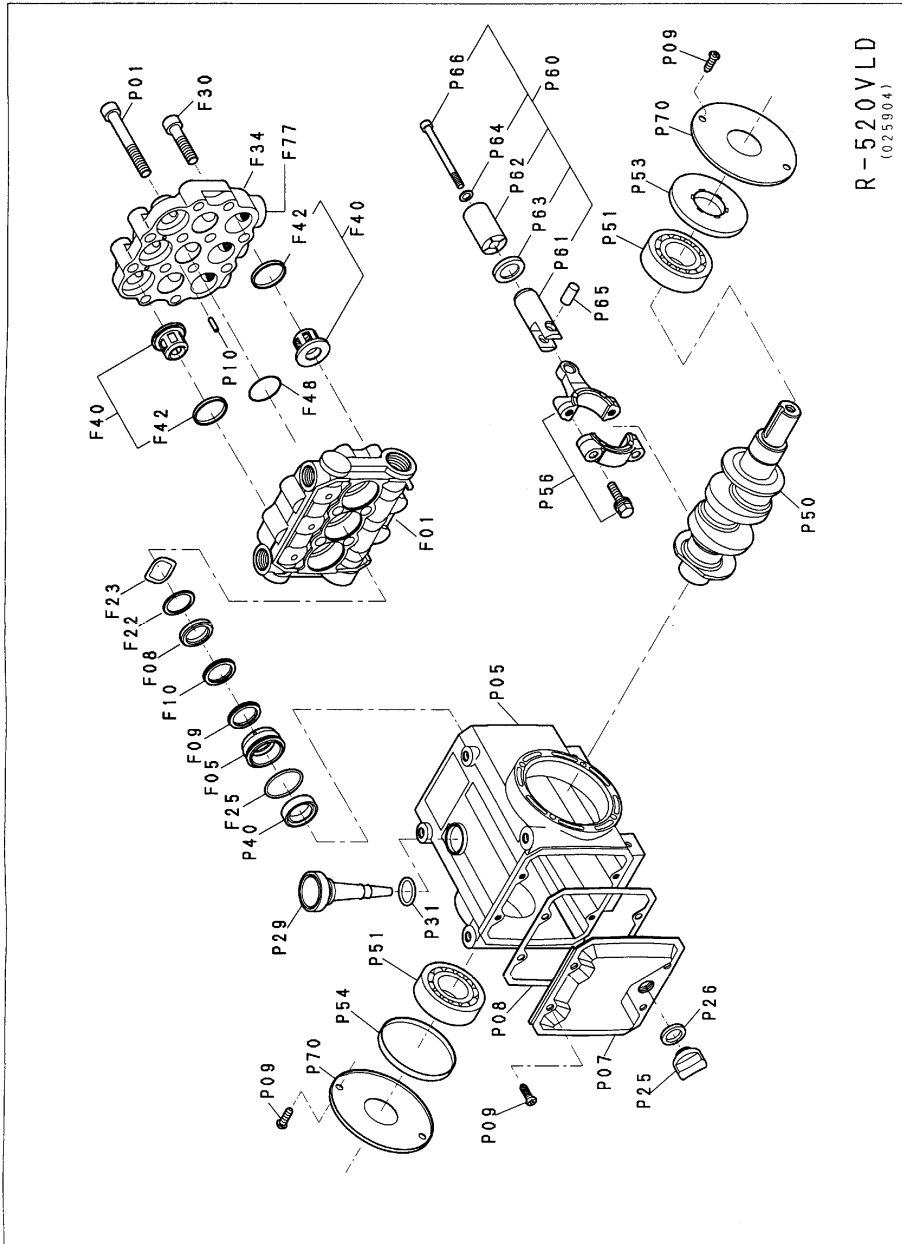
(D)=

(E)=

(F)=

No.	Lev.	Parts No.	Description	Qty						I	R
				(A)	(B)	(C)	(D)	(E)	(F)		
1	3	B2556E4510		1							
3	3	9375A14100		1							
4	3	G30933050032		1							
5	3	9375A10100		1							
6	3	A020324710		1							
7	3	9310C11000		1							
8	3	9302A10060		1							
9	3	A010213920		1							
10	3	B2553H4200		1							
11	3	B2553H4230		1							
12	3	9390A06000		1							
13	3	9361A08080		1							
14	3	B2547E4260		1							
15	3	9391A06000		1							
16	3	9390A06000		1							
18	3	B2553H4800		1							
19	3	9364A10080		1							
20	3	B2553H3600A		1							
21	3	B1817H3610		1							
22	3	9354A10100		1							
23	3	0040003500		1							
24	3	9309A15150		1							
25	3	9300A15150		2							
26	3	9305A15150		3							
27	3	B2519E21301		1							
28	3	9120Q06020		2							
29	3	9101B08090		1							
30	3	9162B08000		1							
31	3	0256102240		1							
32	3	A535102110		1							
33	2	025905		1							
34	3	A0203271801		1							
35	3	9375A10100		1							
36	3	G30933053000		1							
37	3	F6261A0000		1							
38	3	MVNP1543S1		1							
39	3	9209A15012		1							
40	3	0XE3480000		1							
41	3	9209A20018		1							
42	3	0XC44H0000		1							
43	3	0XB4546210		1							

Fig.15. PUMP PARTS



R-520VLD
(025904)

(A)=AJ-200ESY
(B)=
(C)=

(D)=
(E)=
(F)=

No.	Lev.	Parts No.	Description	Q'ty						I	R
				(A)	(B)	(C)	(D)	(E)	(F)		
F01	3	0259041010		1							
F05	3	0259001200		3							
F08	3	02590014K0		3							
F09	3	0259001230		3							
F22	3	0259001430		3							
F23	3	0259001450		3							
F25	3	9203B15032		3							
F30	3	0361001140		8							
F34	3	0259003200		1							
F40	3	0258103300		6							
F42	3	0362003340		6							
F48	3	9203F10020		3							
F77	3	0180503450		3							
P01	3	0256001100		4							
P05	3	02560020101		1							
P07	3	0256002040		1							
P08	3	0256002050		1							
P09	3	9138A05010		8							
P10	3	0361001110		2							
P25	3	0090002320		1							
P26	3	0090002340		1							
P29	3	01300026000A		1							
P30	3	9201B00016		1							
P40	3	0090002400		3							
P50	3	0255104040		1							
P51	3	0256004020		2							
P53	3	0256004030		2							
P54	3	0256104430		1							
P60	3	02590247S0		3							
P61	3	0256004880		3							
P62	3	02590048S0		3							
P63	3	0259024850		3							
P64	3	0121114852		3							
P65	3	0150004900		3							
P66	3	9120R05060		3							
P70	3	0256004420		1							

Parts No. Index

Parts No.	Fig. No.	Ref. No.
0040003500	14	23
0090002320	15	P25
0090002340	15	P26
0090002400	15	P40
0121114852	15	P64
01300026000A	15	P29
0150004900	15	P65
0180503450	15	F77
0255104040	15	P50
0256001100	15	P01
02560020101	15	P05
0256002040	15	P07
0256002050	15	P08
0256004020	15	P51
0256004030	15	P53
0256004420	15	P70
0256004880	15	P61
0256102240	14	31
0256104430	15	P54
0258103300	15	F40
0259001200	15	F05
0259001230	15	F09
0259001430	15	F22
0259001450	15	F23
02590014K0	15	F08
0259003200	15	F34
02590048S0	15	P62
02590247S0	15	P60
0259024850	15	P63
0259041010	15	F01
025905	14	33
0361001110	15	P10
0361001140	15	F30
0362003340	15	F42
0XB4546210	14	43
0XC44H0000	14	42
0XE3480000	14	40
101147-12550	10	74
104200-59170	1	6
105425-01250	2	24
105425-01690	10	1
106990-44660	5	17
	13	10
114270-01600	1	4
114371-77110	12	2
114371-77130	12	5
114371-77140	12	6
114371-77160	12	8
114371-77170	12	15
114371-77180	12	16

Parts No.	Fig. No.	Ref. No.
114371-79040	12	9
114371-79050	12	10
114371-79060	12	11
114371-79070	12	19
114770-61600	7	39
124060-77680	5	18
124195-77770	12	18
124298-77020	12	17
160110-01870	1	20
160110-02220	1	7
		11
160110-92610	9	1
160110-92710	9	3
160120-56670	6	3
160120-76940	7	10
160120-92700	9	2
160210-56610	6	18
160211-56950	6	31
160260-76620	8	37
160260-78700	5	21
160310-14550	10	20
160341-01950	8	41
160520-66291	7	22
160580-59360	5	20
160610-01690	1	5
160610-03050	2	20
160610-55100	5	6
160610-55390	5	12
160610-56630	6	10
160640-56850	6	26
160641-76570	8	34
160664-55300	5	9
160667-56750	6	27
160670-66350	7	27
160690-11220	2	12
160690-11221	2	12 -1
160690-11271	2	13
160690-11280	2	14
160690-61301	7	2
160690-61311	7	3
160690-61450	7	4
160690-61600	7	5
160690-66210	7	38
160690-78230	8	46
160692-55421	5	11
160692-56710	6	7
160692-66051	7	13
160700-78040	8	53
160700-78050	8	54
160700-78720	8	55

Parts No.	Fig. No.	Ref. No.
160702-56720	6	28
160710-55360	5	13
160710-55370	5	14
160710-55381	5	10
160710-78710	8	48
	11	3
160730-56880	6	37
160790-56571	6	32
160790-56610	6	29
160791-78522	8	45
160791-78650	8	47
160792-56670	6	9
160797-01760	1	15
160797-01851	1	18
160797-45230	8	8
160797-66200	7	12
160797-66210	7	18
160797-66221	7	19
160797-66310	7	25
160797-66320	7	26
160802-78270	11	2
160810-11180	2	10
160810-23201	4	31
160810-56580	6	16
160820-03180	2	1
160890-01210	2	21
160890-11011	2	2
160890-11100	2	7
160890-11110	2	8
160890-11120	2	9
160890-11201	2	11
160890-11290	2	15
160890-11300	2	17
160890-11310	2	18
160890-13210	3	11
160890-14051	4	1
160890-14200	4	12
160890-14400	4	11
160890-14560	4	8
160890-21200	4	15
160890-21220	4	16
160890-22300	4	27
160890-45200	8	7
160890-56160	6	36
160890-56620	6	11
160890-66010	7	11
160890-66050	7	9
160890-76050	8	27
160890-76250	8	28
160890-76510	8	29

Parts No.	Fig. No.	Ref. No.
160890-76520	8	30
160890-76530	8	31
160890-76540	8	32
160890-76550	8	33
160890-76570	8	35
160890-76580	8	36
160890-76590	8	38
160891-56530	6	17
160891-77020	12	1
160891-77310	12	24
160891-77490	12	25
160891-77750	12	12
160891-77760	12	13
160891-78170	8	43
160897-45920	8	9
160903-56670	6	4
160910-56150	3	7
	6	35
160992-56520	6	2
160998-01200	2	22
160998-01330	2	25
160998-12560	3	1
160998-12710	3	2
160998-12720	3	3
160998-12730	3	4
160998-12740	3	5
160998-12910	3	6
160998-22010	4	21
160998-45170	8	1
160998-45210	8	2
160998-45310	8	3
160998-56080	6	1
160998-56610	6	12
160998-56620	6	5
160998-56630	6	6
160998-56640	6	15
160998-56660	6	20
160998-56670	6	21
160998-56680	6	22
160998-56700	6	30
160998-56710	6	33
160998-56720	6	34
160998-56730	6	23
160998-66190	7	34
160998-66200	7	37
160998-77750	8	57
160998-78010	8	52
160998-78060	8	42
160998-78510	8	44
181230-56380	6	8

Parts No. Index

Parts No.	Fig. No.	Ref. No.
183100-66450	11	12
183130-66250	11	17
183131-07360	9	17
183131-07430	9	18
183131-07450	9	20
183131-07600	9	19
183131-08910	10	18
183131-08920	10	19
183131-55050	5	5
183131-55060	5	3
183131-79601	10	78
183131-79651ED	11	19
183131-95110	10	58
183131-95310	10	55
183131-95330	10	56
183131-95350	10	62
183131-95640	11	11
183135-79550	10	76
183135-91080	10	80
183232-77520	12	26
183266-08360	10	13
183332-07420	9	9
183366-55210	5	8
183614-07710	9	28
183614-07720	9	29
183614-07730	9	30
183614-07740	9	31
183614-07790	9	24
183621-55150	5	7
183632-07600	9	8
183632-55050	10	21
183632-56900	11	1
183702-07350	9	15
183702-95540	10	51
183703-08150-3	10	10
183703-95540	10	73
183705-07281	9	10
183705-07290	9	11
183705-07300	9	12
183705-07310	9	13
183705-07320	9	14
183705-07340	9	16
183705-07750	9	32
183705-08900	10	16
183705-59350	5	19
183705-97890	10	71
183705-97990	10	70
183730-08210	10	11
183732-08900	10	17
183732-95501	11	7

Parts No.	Fig. No.	Ref. No.
183805-07140	9	7
183805-07160	9	6
183805-07250	9	25
183805-07260	9	26
183805-07270	9	27
183805-07450	9	21
183805-07470	9	22
183805-07480	9	23
183805-07490	10	88
183805-08070-3	10	4
183805-08080-3	10	5
183805-08130	10	7
183805-08140	10	87
183805-08300-2	10	2
183805-08310	10	3
183805-13500	3	12
183805-45050	8	11
183805-45060	8	12
183805-74360	11	18
183805-91450	11	13
183805-95251	10	72
183805-95500	13	1
183805-95730	8	17
183805-95740	8	18
183805-95750	8	19
183805-95760	8	20
183805-95770	8	21
183805-95790	8	22
183805-95850	10	43
183805-95910	8	14
183805-96060	13	2
183805-96290	13	3
183805-96970	13	4
183805-97600	11	14
183805-97610	11	15
183805-97630	10	81
183805-97890	10	49
183805-97900	10	48
183805-97910	10	63
183805-97920	10	64
183805-97930	10	65
183805-97940	10	46
183805-97950	10	61
183805-97960	10	66
183805-97970	10	67
183805-97980	10	68
183805-97990	10	69
183830-08210	10	12
183833-08490	10	14
183833-45200	8	13

Parts No.	Fig. No.	Ref. No.
183833-95770	8	15
183896-59370	13	9
183920-79560	10	77
183920-91450	11	4
183925-91990	10	28
183932-08090-3	10	6
183932-08121-2	10	8
183932-08132-2	10	9
183932-79950	10	79
183932-95120	10	60
183932-95180	10	47
183932-95240	10	50
183932-95270	10	57
183932-95280	10	52
183932-95310	10	53
183932-95320	10	44
183932-95330	10	45
183932-95770	8	23
183932-95780	8	16
183933-79510	10	75
194250-51660	3	10
1E6460-95173	10	25
1E6460-91580	10	26
1E6460-91591	10	27
1E6770-91500	10	24
1E6910-35660	10	23
22117-120000	10	29
22133-080000	10	86
22137-040000	7	28
22190-160002	10	30
22213-080000	10	85
22217-030000	10	31
22217-160000	4	20
22252-000190	4	28
22417-250200	11	20
22417-320250	10	32
22512-040160	4	17
22512-040300	4	18
22512-070380	4	10
23112-020007	13	5
24101-062060	1	8
24311-000180	1	17
26023-040102	12	27
26106-060082	8	39
	11	16

Parts No.	Fig. No.	Ref. No.
26106-060102	8	24
26106-060122	5	15
	8	25
	10	33
26106-060162	10	82
26106-060202	12	22
26106-060352	2	19
26106-080122	8	59
	13	6
26106-080142	3	13
	5	16
	12	28
26106-080302	1	14
26106-080352	10	35
26106-080382	10	36
26106-100302	12	23
26113-080222	10	84
26117-040088	6	24
	7	17
26117-040257	7	23
26117-040357	7	24
26216-080182	2	16
26226-080802	3	9
26347-040002	7	29
26347-060002	7	30
26366-060002	7	31
	12	29
26366-080002	3	8
	10	37
	13	7
26366-100002	2	23
26376-100002	10	38
26476-060142	7	33
	8	4
		5
		6
		10
		26
26476-060252	8	49
		50
26557-030122	10	34
		39
		83
26557-040102	7	32
26557-050082	10	22
26712-100002	10	41
26737-160002	4	19

Parts No. Index

Parts No.	Fig. No.	Ref. No.
26757-100002	10	42
28110-100120	9	4
29610-000650	8	51
	12	30
	13	8
29610-000950	8	56
760890-01511	1	9
760890-23700	4	29
760998-01741	1	1
760998-21700	4	13
760998-22500	4	23
783833-55700	5	1
9101B08090	14	29
9120Q06020	14	28
9120R05060	15	P66
9138A05010	15	P09
9162B08000	14	30
9201B00016	15	P30
9203B15032	15	F25
9203F10020	15	F48
9209A15012	14	39
9209A20018	14	41
9300A15150	14	25
9302A10060	14	8
9305A15150	14	26
9309A15150	14	24
9310C11000	14	7
9354A10100	14	22
9361A08080	14	13
9364A10080	14	19
9375A10100	14	5
		35
9375A14100	14	3
9390A06000	14	12
		16
9391A06000	14	15
A010213920	14	9
A020324710	14	6
A0203271801	14	34
A535102110	14	32
B1817H3610	14	21
B2519E21301	14	27
B2547E4260	14	14
B2553H3600A	14	20
B2553H4200	14	10
B2553H4230	14	11
B2553H4800	14	18
B2556E4510	14	1
F6261A0000	14	37
G30933050032	14	4

Parts No.	Fig. No.	Ref. No.
G30933053000	14	36
MVNP1543S1	14	38
X21142742	12	21
X21142835	12	20
X21145352	12	7
		14
X21147155	12	4
X21148110	12	3
XBV26472	6	19

Parts No.	Fig. No.	Ref. No.
-----------	----------	----------

Parts No.	Fig. No.	Ref. No.
-----------	----------	----------