

OCD10-M61700EN

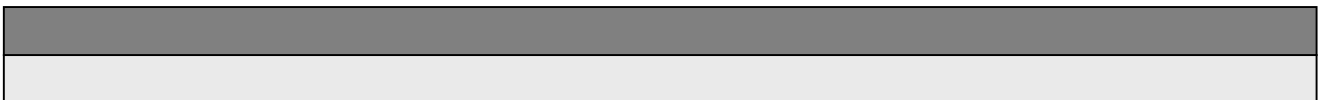
PREFACE

1. This Parts Catalog is the 1st edition of 3TN66L-UT,UT1 Diesel Engine for TOYOTA.

Pub. No. : 000Y00D6170
Published : December,1996

2. Model name

Engine model	Vehicle		Vehicle made by
	Products	Model name	
3TN66L-UT,UT1	SKID STEER LOADER	—	TOYOTA



Directions for the Parts Catalog.

1. This Parts Catalog shows both standard and optional parts.
2. Parts may change without prior notice.
3. The following is an example of the Parts Catalog format.

REF.	LEV.	PARTS NO.	DESCRIPTION	Q'TY						I	R
				(A)	(B)	(C)	(D)	(E)	(F)		
1	1	729595-51390	FUEL INJECTION PUMP	1	1	1	1	1			1
1-1	1	729595-51391	FUEL INJECTION PUMP	1	1	1	1	1		N	1
		(A=E00185) (B=E00200)									
3	2	26022-060162	SCREW M 6X 16	9	9	9	9	9			
3-1	2	26022-060162	SCREW M 6X 16	4	4	4	4	4		K	
		(A=E00156) (B=E00156) (C=E00156) (D=E00156) (E=E00156)									
4	2	129470-51040	CAMSHAFT	1	1	1	1	1			
5	2	122710-51050	BEARING, ROLLER	2	2	2	2	2			
6	2	129470-51060	RETAINER	1	1	1	1	1			

Remarks
(1) BOOST COMPEMSATOR TYPE. OPTIONAL PART, TO E00155,(4JH-DT, 4JH-DTZ

① Ref. No.

The Ref. No. listed may not be in accordance with the illustration Ref. No.

(Ex.) Illustration No.

List Ref No.

1

1

(Before change)

1-1

(After change)

For interchangeable symbols N, R and K, illustrations for new parts may be abbreviated.

② Lev. (Level)

Level indication

The numbers below indicate the level of relativity towards the main part.

1 ----- Main parts (Assembly parts)

2 ----- Sub component included in " 1 ".

3 ----- Sub component included in " 2 ".

Note) Parts that are not for sale are partially illustrated but not listed.

③ Interchangeability Symbol

When a part change takes place, one of the following interchangeability symbols is indicated beside the part.

Symbol	Interchangeability	Contents note
N	Old $\begin{matrix} \leftarrow \text{Yes} \\ \text{No} \rightarrow \end{matrix}$ New	New Part is interchangeable for Old Part but Old Part is not interchangeable for New Part.
Q	Old $\begin{matrix} \leftarrow \text{No} \\ \text{Yes} \rightarrow \end{matrix}$ New	New Part is not interchangeable for Old Part but Old Part is interchangeable for New Part.
R	Old $\begin{matrix} \leftarrow \text{Yes} \\ \text{Yes} \rightarrow \end{matrix}$ New	New/ Old Parts are both interchangeable.
S	Old $\begin{matrix} \leftarrow \text{No} \\ \text{No} \rightarrow \end{matrix}$ New	New/ Old Parts are both not interchangeable.
W		Part newly added.
Z		Part discontinued.
F		Not interchangeable by a single part but interchangeable together with related parts.
K		Changes only for used parts quantities.

④ Effective Machine No.

When a part changes, the effective Machine No. will be indicated in the (A)-(F) column.

Product Symbol	Product No.	Product Symbol	Product No.
C	Clutch No. Compressor No.	F	Machine No. (Agricultural Equip.)
D	Drive No.	M	Machine No.
E	Engine No.		

Note 1) A date may follow the symbol. (Ex.) 1996.01

Note 2) "XXXXX" and "ZZZZZ" are for parts that could not be predicted or for engine models that could not be identified.

Note 3) (A=E00185) is the E (Engine Serial Number) for the column (A) model (in this case 4JH-DT) after the parts design change.

⑤ Remarks

Figures or alphabets (symbols) are entered in the remarks column.

The comments (remarks) on parts that are indicated at the bottom of the illustration are the same symbols as those stated above.

Contents

Fig. No. Fig. Name

3TN66L-UT,UT1

1. CYLINDER BLOCK
2. GEAR HOUSING
3. MOUNTING FLANGE
4. OIL SUMP
5. BONNET
6. CYLINDER HEAD
7. SUCTION & EXHAUST MANIFOLD
8. CAMSHAFT & DRIVING GEAR
9. CRANKSHAFT & FLYWHEEL
10. PISTON & CONNECTING ROD
11. LUB.OIL SYSTEM
12. COOLING WATER SYSTEM
13. FUEL INJECTION DEVICE
14. FUEL LINE
15. FUEL LINE
16. GOVERNOR
17. GOVERNOR
18. STARTING MOTOR
19. GENERATOR
20. GASKET SET

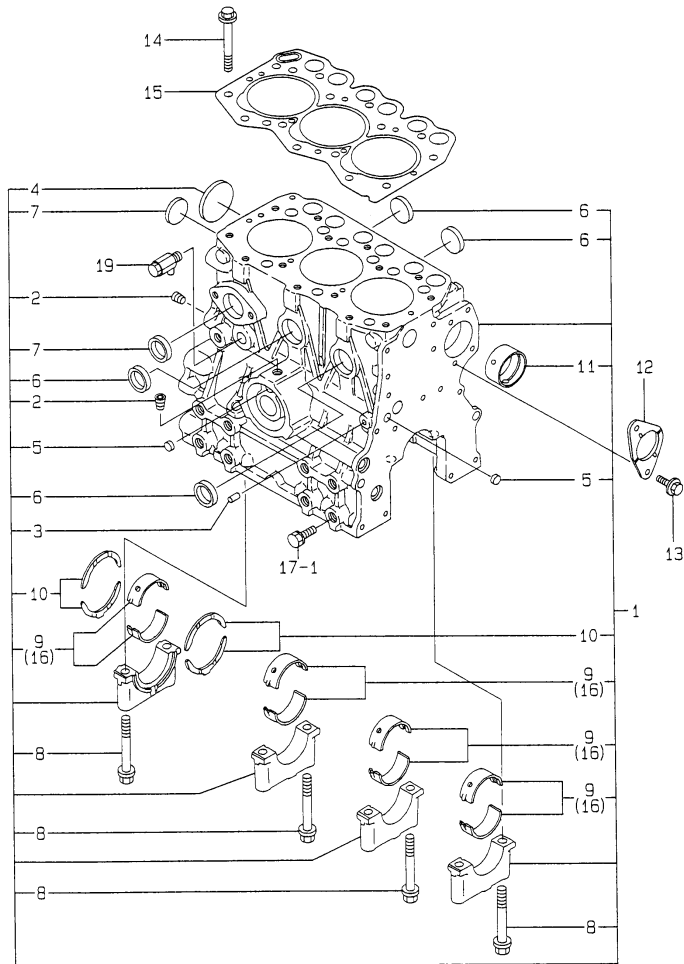
Fig. No. Fig. Name

Fig.1. CYLINDER BLOCK

(A)=3TN66L-UT
(B)=3TN66L-UT1
(C)=

(D)=
(E)=
(F)=

Y00D6170
3TN66L-UT, UT1



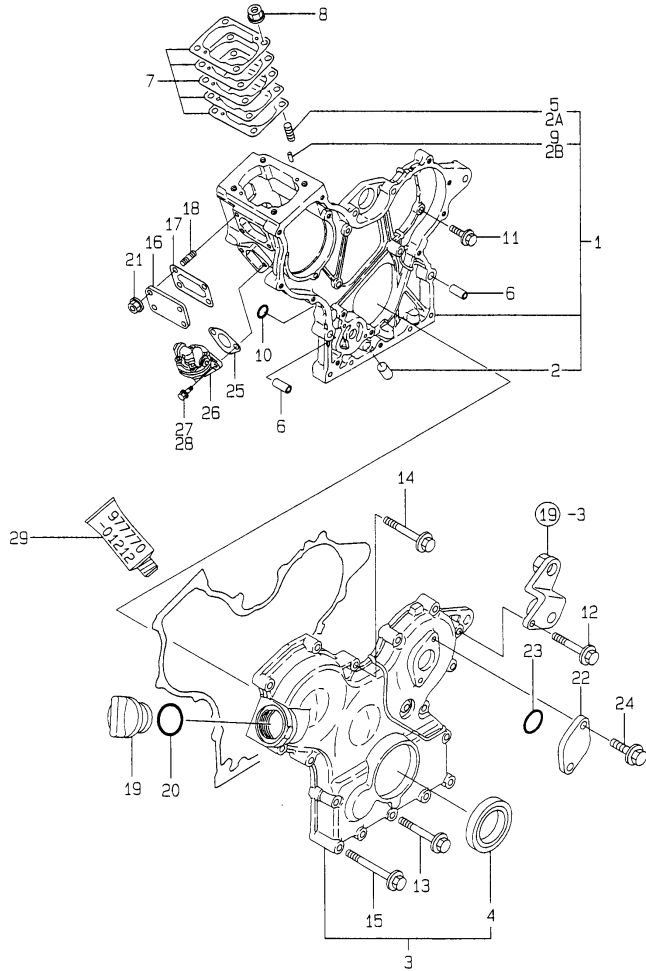
No.	Lev.	Parts No.	Description	Q'ty						I	R
				(A)	(B)	(C)	(D)	(E)	(F)		
1	1	719270-01560	BLOCK ASSY, CYLINDER	1	1						
2	2	124060-01050	PLUG, PT1/8	2	2						
3	2	27221-060100	PLUG, 6X10	1	1						
4	2	27231-400000	PLUG 40	1	1						
5	2	27241-100000	PLUG, 10	2	2						
6	2	27241-250000	PLUG, 25	4	4						
7	2	27241-300000	PLUG 30	2	2						
8	2	119260-02020	BOLT, METAL CAP	8	8						
9	2	119260-02800	BEARING, MAIN	4	4						
10	2	119260-02930	BEARING, THRUST	2	2						
11	2	119260-02410	BUSH, CAMSHAFT	1							
11-1	2	119266-02410	BUSH	1	1						R
(A=*1997.02)											
12	1	119620-02450	BEARING, THRUST	1							Z
(A=EXXX)											
13	1	26106-060122	BOLT, M6X 12 PLATED	2	2						
14	1	119260-01200	BOLT, HEAD	14	14						
15	1	119255-01340	GASKET, HEAD	1							
15-1	1	119225-01340	GASKET, HEAD	1	1						R
(A=E40200)											
16	1	119260-02870	BEARING, 0.25 US	4	4						1
17	1	26013-100202	BOLT, M10X 20	6							
17-1	1	26013-100202	BOLT, M10X 20	8	8						K
(A=FROM 1ST)											
19	1	119620-49290	COCK ASSY, 1/4	1	1						W
(A=FROM 1ST)											

Remarks

(1) UNDER-SIZE(U.S=0.25)PART.

Fig.2. GEAR HOUSING

Y0006170
3TN66L-UT, UT1



(A)=3TN66L-UT
(B)=3TN66L-UT1
(C)=

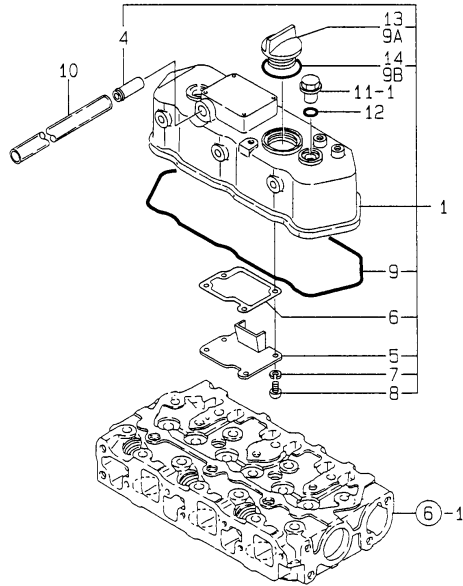
(D)=
(E)=
(F)=

No.	Lev.	Parts No.	Description	Q'ty						I	R
				(A)	(B)	(C)	(D)	(E)	(F)		
1	1	119260-01490 (A=E11675)	CASE ASSY, GEAR	1	1						W
2	2	119260-01510	PLUG	1	1						
2A	2	121450-01560 (A=E11675)	STUD, M8X22	4	4						W
2B	2	22351-040010 (A=E11675)	PIN, SPRING 4.0X10	2	2						W
3	1	119260-01590 (A=E24680)	COVER ASSY, GEAR CASE	1	1						W
4	2	119620-01800	SEAL, OIL	1	1						
5	1	121450-01560 (A=E11675)	STUD, M8X22	4							Z
6	1	119660-01911	PIPE, KNOCK	4	4						
7	1	119620-01950	SHIM SET, ADJUSTING	1							
7-1	1	119623-01950 (A=E46320)	SHIM SET, ADJUSTING	1	1						N
8	1	194990-22050	NUT, M8	4	4						
9	1	22351-040010 (A=E11675)	PIN, SPRING 4.0X10	2							Z
10	1	24311-000120	O-RING, 1AP12.0	2	2						
11	1	26106-060162	BOLT, M6X 16 PLATED	5	5						
12	1	26106-060352	BOLT, M6X 35 PLATED	5							
12-1	1	26106-060352 (A=EXXX)	BOLT, M6X 35 PLATED	1	1						K
13	1	26106-060402	BOLT, M6X 40 PLATED	3	3						
14	1	26106-060502	BOLT, M6X 50 PLATED	4	4						
15	1	26106-060652	BOLT, M6X 65 PLATED	6	6						
16	1	119660-01551	COVER	1	1						
17	1	119660-01561	GASKET	1							
17-1	1	119660-01562 (A=E24680)	GASKET	1	1						R
18	1	119660-01570	STUD, M6X12	4	4						
19	1	124160-01751	COVER, FILLER	1	1						
20	1	121420-01760	O-RING	1							
20-1	1	24311-000320 (A=E15942)	O-RING, 1AP32.0	1	1						N
21	1	26366-060002	NUT, M6	4	4						
22	1	121023-01550	COVER	1	1						
23	1	24341-000260	O-RING, 1AS26.0	1							
23-1	1	24341-000240 (A=E18615)	O-RING, 1AS24.0	1	1						S
24	1	26106-060182	BOLT, M6X 18 PLATED	2	2						
25	1	121520-01850	GASKET	1							
25-1	1	121520-01851 (A=E24680)	GASKET	1	1						R
26	1	119600-52021	PUMP ASSY, FUEL FEED	1	1						
27	1	26014-060202	BOLT, M6X 20	2							
28	1	26106-060162	BOLT, M6X 16 PLATED		2						
29	1	977770-01212 (A=FROM 1ST)	GASKET, LIQUID	1	1						W 1

Remarks
(1)OPTIONAL PART.

Fig.5. BONNET

Y00D6170
3TN66L-UT, UT1



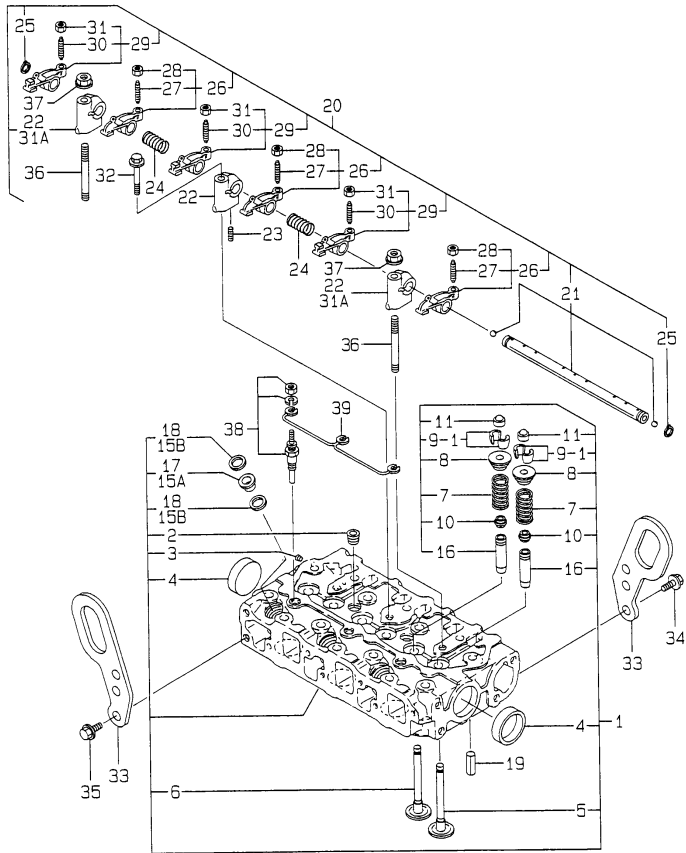
(A)=3TN66L-UT
(B)=3TN66L-UT1
(C)=

(D)=
(E)=
(F)=

No.	Lev.	Parts No.	Description	Q'ty						I	R
				(A)	(B)	(C)	(D)	(E)	(F)		
1	1	719260-11521	BONNET ASSY, HEAD	1							
1-1	1	119260-11330	BONNET ASSY, HEAD	1	1						N
(A=E24680)											
4	2	119620-11390	JOINT	1	1						
5	2	119260-03020	PLATE, SHELTER	1	1						
6	2	119260-03030	GASKET	1							
6-1	2	119260-03031	GASKET	1	1						N
(A=E24680)											
7	2	22217-050000	WASHER, SPRING 5	4	4						
8	2	26557-050102	SCREW, M5X10	4	4						
9	2	119260-11310	GASKET, BONNET	1	1						
10	1	119244-03200	PIPE, BREATHER	1	1						
11	1	124160-11360	KNOB	1							
11-1	1	124160-11360	KNOB	2	2						K
(A=FROM 1ST)											
12	1	24311-000120	O-RING, 1AP12.0	2	2						
13	1	124160-01751	COVER, FILLER	1							
14	1	121420-01760	O-RING	1							
14-1	1	24311-000320	O-RING, 1AP32.0	1							N
(A=E15942)											

Fig.6. CYLINDER HEAD

Y00D6170
3TN66L-UT, UT1



(A)=3TN66L-UT
(B)=3TN66L-UT1
(C)=

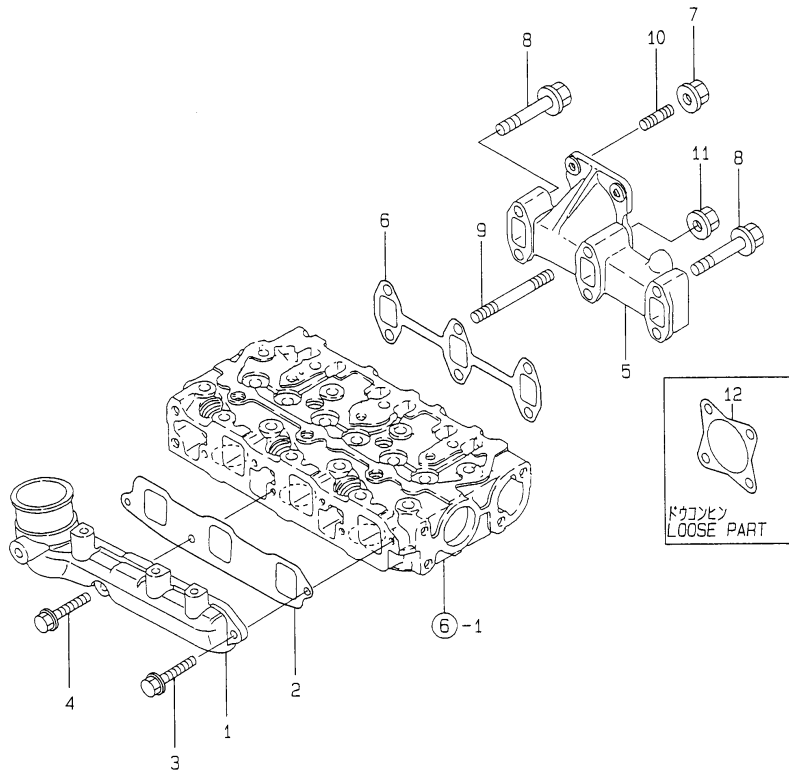
(D)=
(E)=
(F)=

No.	Lev.	Parts No.	Description	Qty						I	R
				(A)	(B)	(C)	(D)	(E)	(F)		
1	1	719260-11700	HEAD ASSY, CYLINDER	1	1						
2	2	121850-11860	PLUG, PT1/4	2							
2-1	2	23871-020000	PLUG, R02	2							N
(A=E27272)											
2-2	2	23871-030000	PLUG, R03	2	2						S
(A=E46320)											
3	2	27221-050080	PLUG, 5X 8	1	1						
4	2	27241-350000	PLUG, 35	2	2						
5	2	119260-11100	VALVE, INTAKE	3	3						
6	2	119260-11110	VALVE, EXHAUST	3	3						
7	2	114250-11120	SPRING, VALVE	6	6						
8	2	114250-11180	RETAINER, SPRING	6	6						
9	2	114250-11190	COTTER	6							
9-1	2	714250-11570	COTTER ASSY	3	3						K
(A=FROM 1ST)											
10	2	119260-11340	SEAL, VALVE STEM	6	6						
11	2	119260-11370	CAP, VALVE	6	6						
15A	2	119600-11450	PROTECTOR, NOZZLE	3	3						W
(A=EXXX)											
15B	2	119600-11460	GASKET, NOZZLE	6	6						W
(A=EXXX)											
16	1	119260-11800	GUIDE, VALVE	6	6						1
17	1	119600-11450	PROTECTOR, NOZZLE	3							Z
(A=EXXX)											
18	1	119600-11460	GASKET, NOZZLE	6							Z
(A=EXXX)											
19	1	22351-060012	PIN, SPRING 6.0X12	2	2						
20	1	119260-11200	SUPPORT ASSY, ARM	1	1						
21	2	119260-11240	SHAFT ASSY, ROCKER	1	1						
22	2	119260-11260	SUPPORT, ROCKER ARM	3							
22-1	2	119260-11260	SUPPORT, ROCKER ARM	1	1						K
(A=E52090)											
23	2	119260-11270	SCREW	1	1						
24	2	119260-11280	SPRING	2	2						
25	2	22242-000100	RING, 10	2	2						
26	2	719260-11650	ARM ASSY, ROCKER	3	3						
27	3	105010-11230	SCREW, VALVE ADJUST	3	3						
28	3	26756-060002	NUT, LOCK M6	3	3						
29	2	719260-11660	ARM ASSY, ROCKER	3	3						
30	3	105010-11230	SCREW, VALVE ADJUST	3	3						
31	3	26756-060002	NUT, LOCK M6	3	3						
31A	2	119265-11260	SUPPORT, ROCKER ARM	2	2						W
(A=E52090)											
32	1	26106-080452	BOLT, M8X 45 PLATED	1	1						
33	1	119260-07900	LIFTER	2	2						
34	1	26106-080142	BOLT, M8X 14 PLATED	1	1						
35	1	26106-080142	BOLT, M8X 14 PLATED	2	2						
36	1	119620-11350	STUD	2	2						W
(A=FROM 1ST)											
37	1	26366-080002	NUT, M8	2	2						W
(A=FROM 1ST)											

Remarks
(1) REPAIR PART.

Fig.7. SUCTION & EXHAUST MANIFOLD

Y00D5170
3TN66L-UT, UT1



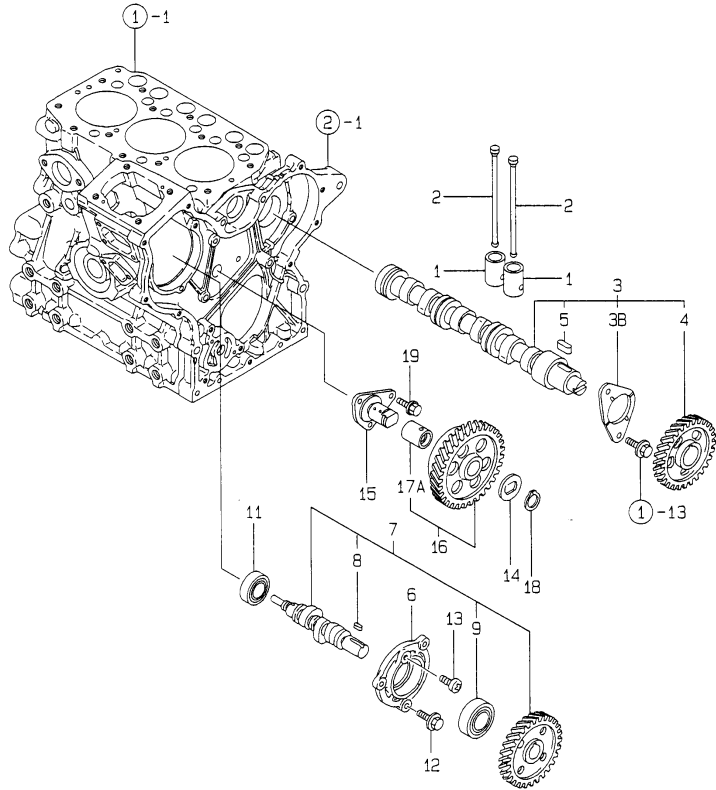
(A)=3TN66L-UT
(B)=3TN66L-UT1
(C)=

(D)=
(E)=
(F)=

No.	Lev.	Parts No.	Description	Q'ty						I	R
				(A)	(B)	(C)	(D)	(E)	(F)		
1	1	119270-12100	MANIFOLD, AIR INTAKE	1	1						
2	1	119270-12110	GASKET, MANIFOLD	1	1						
3	1	26106-060162	BOLT, M6X 16 PLATED	2	2						
4	1	26106-060282	BOLT, M6X 28 PLATED	1	1						
5	1	119260-13100	MANIFOLD, EXHAUST	1	1						
6	1	119260-13110	GASKET	1	1						
7	1	194990-22050	NUT, M8	4							Z
(A=E31149)											
8	1	26106-060352	BOLT, M6X 35 PLATED	4	4						
9	1	26216-060402	STUD, M6X 40	2	2						
10	1	26216-080222	STUD, M8X 22	4	4						
11	1	26366-060002	NUT, M6	2	2						
12	1	121000-13200	GASKET, SILENCER	1							
12-1	1	121000-13201	GASKET, SILENCER	1	1						N
(A=E31149)											

Fig.8. CAMSHAFT & DRIVING GEAR

Y00D6170
3TN66L-UT, UT1



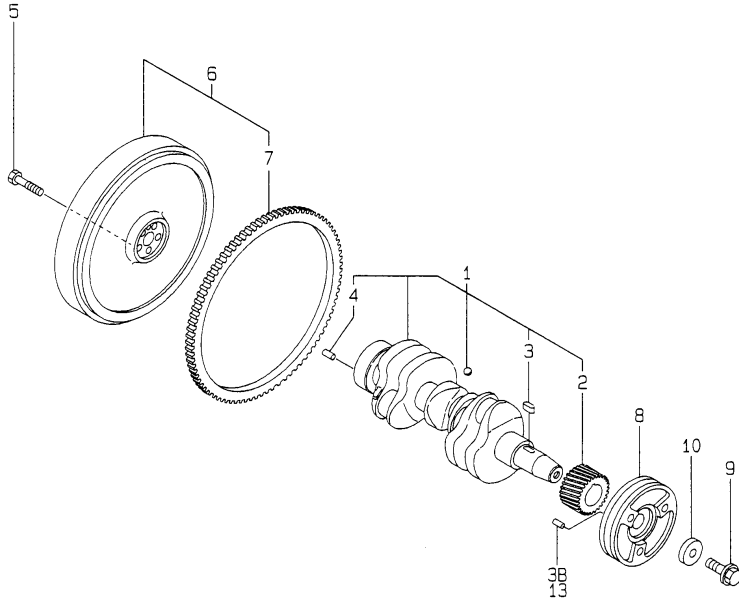
(A)=3TN66L-UT
(B)=3TN66L-UT1
(C)=
(D)=
(E)=
(F)=

No.	Lev.	Parts No.	Description	Q'ty						I	R
				(A)	(B)	(C)	(D)	(E)	(F)		
1	1	119260-14200	TAPPET	6	6						
2	1	119260-14400	ROD, PUSH	6	6						
3	1	119260-14580	CAMSHAFT ASSY	1	1						W
		(A=EXXX)									
3B	2	119620-02450	BEARING, THRUST	1	1						W
		(A=EXXX)									
4	2	119260-14100	GEAR, CAMSHAFT	1	1						
5	2	22512-040120	KEY, 4X 12	1	1						
6	1	119660-01821	BEARING, FUEL CAM	1	1						
7	1	119225-14200	CAM ASSY	1	1						W
		(A=EXXX)									
8	2	22512-040120	KEY, 4X 12	1	1						
9	2	24102-063034	BEARING, BALL 6303U	1	1						
11	1	24101-062034	BEARING, BALL 6203	1	1						
12	1	26106-060162	BOLT, M6X 16 PLATED	3	3						
13	1	26587-080102	SCREW, M8X10	1	1						
14	1	119660-25022	RETAINER	1	1						
15	1	119660-25052	SHAFT, IDLE	1	1						
16	1	119260-25100	GEAR ASSY, IDLE	1	1						
17A	2	119620-25912	BUSH	1	1						W 1
		(A=FROM 1ST)									
18	1	22242-000200	RING, 20	1	1						
19	1	26106-060122	BOLT, M6X 12 PLATED	3	3						

Remarks
(1) REPAIR PART.

Fig.9. CRANKSHAFT & FLYWHEEL

Y00D6170
3TN66L-UT, UT1



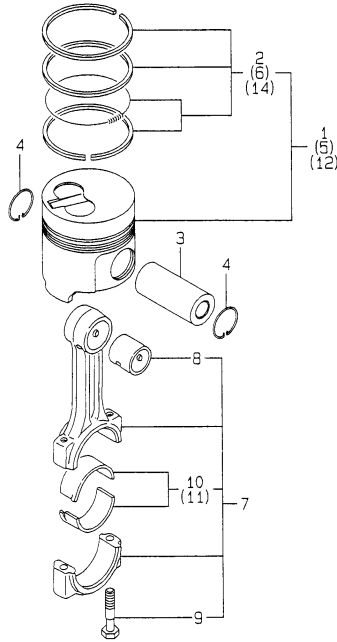
(A)=3TN66L-UT
(B)=3TN66L-UT1
(C)=

(D)=
(E)=
(F)=

No.	Lev.	Parts No.	Description	Q'ty						I	R
				(A)	(B)	(C)	(D)	(E)	(F)		
1	1	719260-21700	CRANKSHAFT ASSY	1	1						
2	2	119260-21200	GEAR, CRANKSHAFT	1	1						
3	2	22512-040120	KEY, 4X 12	1	1						
3B	2	22351-030012	PIN, SPRING 3.0X12	1							W
(A=FROM 1ST)											
3B-1	2	22351-030012	PIN, SPRING 3.0X12	1							Z
(A=*1990.)											
4	2	129100-01580	PIN, M8X16	1	1						
5	1	119620-21500	BOLT, FLYWHEEL	5							
5-1	1	121111-21501	BOLT, FLYWHEEL	5	5						N
(A=E17539)											
6	1	119644-21590	FLYWHEEL ASSY	1	1						
7	2	119865-21600	GEAR, RING	1	1						
8	1	119244-21650	V-PULLEY	1	1						
9	1	119621-21680	BOLT, FLANGE 12X1.25	1	1						
10	1	119620-21941	WASHER	1	1						
13	1	22351-030012	PIN, SPRING 3.0X12	1	1						W
(A=*1990.)											

Fig.10. PISTON & CONNECTING ROD

Y0006170
3TN66L-UT, UT1



(A)=3TN66L-UT
(B)=3TN66L-UT1
(C)=

(D)=
(E)=
(F)=

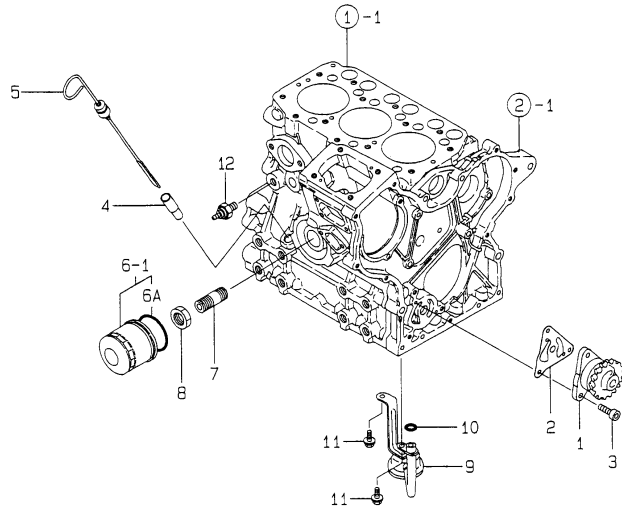
No.	Lev.	Parts No.	Description	Q'ty						I	R
				(A)	(B)	(C)	(D)	(E)	(F)		
1	1	119270-22090	PISTON ASSY	3							
1-1	1	119270-22091	PISTON ASSY	3	3						N
(A=E10641)											
2	2	719270-22500	RING SET, PISTON	3							
2-1	2	719270-22501	RING SET, PISTON	3	3						N
(A=E10641)											
3	1	119260-22300	PIN, PISTON	3	3						
4	1	105225-22400	CIRCLIP	6	6						
5	1	719270-22820	PISTON ASSY, 0.25 OS	3	3						1
6	2	719270-22540	RING SET, 0.25 OS	3							1
6-1	2	719270-22541	RING SET, 0.25 OS	3	3						N 1
(A=E10641)											
7	1	719260-23100	ROD ASSY, CONNECTING	3							
7-1	1	119265-23100	ROD ASSY, CONNECTING	3	3						N
(A=E49855)											
8	2	119260-23910	BEARING, PISTON PIN	3	3						2
9	2	119260-23200	BOLT, CONNECTING ROD	6							
9-1	2	119265-23200	BOLT, CONNECTING ROD	6	6						S
(A=E49855)											
10	2	719260-23600	BEARING, CRANK PIN	3	3						
11	1	719260-23610	BEARING ASSY, 0.25	3	3						3
12	1	119270-22920	PISTON ASSY, 0.50 OS	3	3						W 4
(A=EXXX)											
14	2	119270-22970	RING SET, 0.50 OS	3	3						W 4
(A=EXXX)											

Remarks

- (1) OVER-SIZE(O.S=0.25)PART.
- (2) REPAIR PART.
- (3) UNDER-SIZE(U.S=0.25)PART.
- (4) OVER-SIZE(O.S=0.50)PART.

Fig.11. LUB.OIL SYSTEM

Y00D6170
3TN66L-UT, UT1



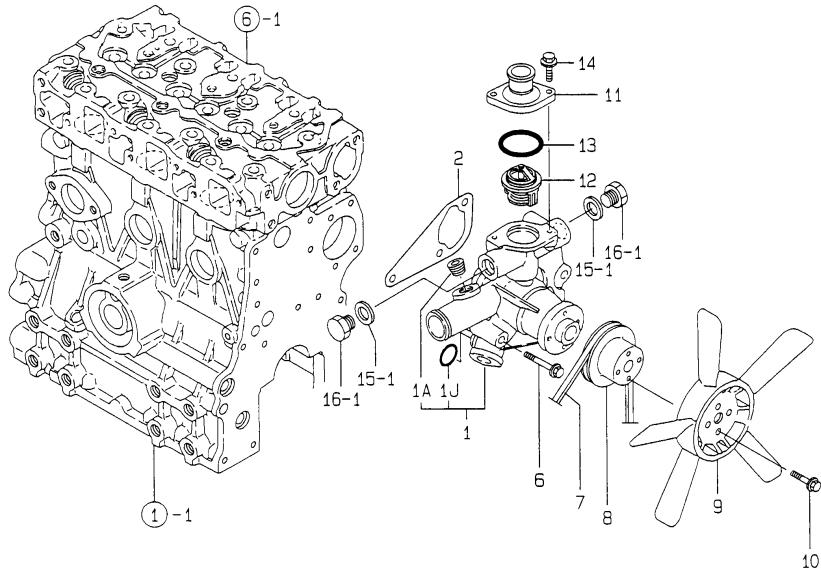
No.	Lev.	Parts No.	Description	Q'ty						I	R
				(A)	(B)	(C)	(D)	(E)	(F)		
1	1	119260-32000	PUMP ASSY, OIL	1	1						
2	1	119660-32020	GASKET, PUMP	1	1						
3	1	26013-060202	BOLT, M6X 20	3							
3-1	1	26450-060202 (A=E27272)	BOLT, M6X 20	3	3						R
4	1	121520-34810	GUIDE, DIPSTICK	1	1						
5	1	119600-34820	DIPSTICK, OIL	1	1						
6	1	119305-35150	FILTER, OIL	1							
6-1	1	119660-35150	FILTER, LUB. OIL	1							N
6-2	1	119305-35150 (A=FROM 1ST) (A=E36289)	FILTER, OIL	1	1						R
6-3	1	119305-35151 (A=EXXXXX) (B=EXXXXX)	FILTER ASSY, D68XL65	1	1						N 1
6A	2	124450-35110	O-RING	1							W
6A-1	2	124450-35110 (A=FROM 1ST) (A=E36289)	O-RING	1							Z
7	1	119225-35300	VALVE ASSY	1	1						
8	1	129150-35350	NUT	1	1						
9	1	119260-35081	PIPE, OIL INLET	1	1						
10	1	24311-000120	O-RING, 1AP12.0	1	1						
11	1	26106-060122	BOLT, M6X 12 PLATED	2	2						
12	1	124160-39450	SWITCH, 0.5KG	1	1						

Remarks

(1)O-ring is integrated type.
(integrated to the LO.filter)

Fig.12. COOLING WATER SYSTEM

Y00D6170
37N66L-UT, UT1



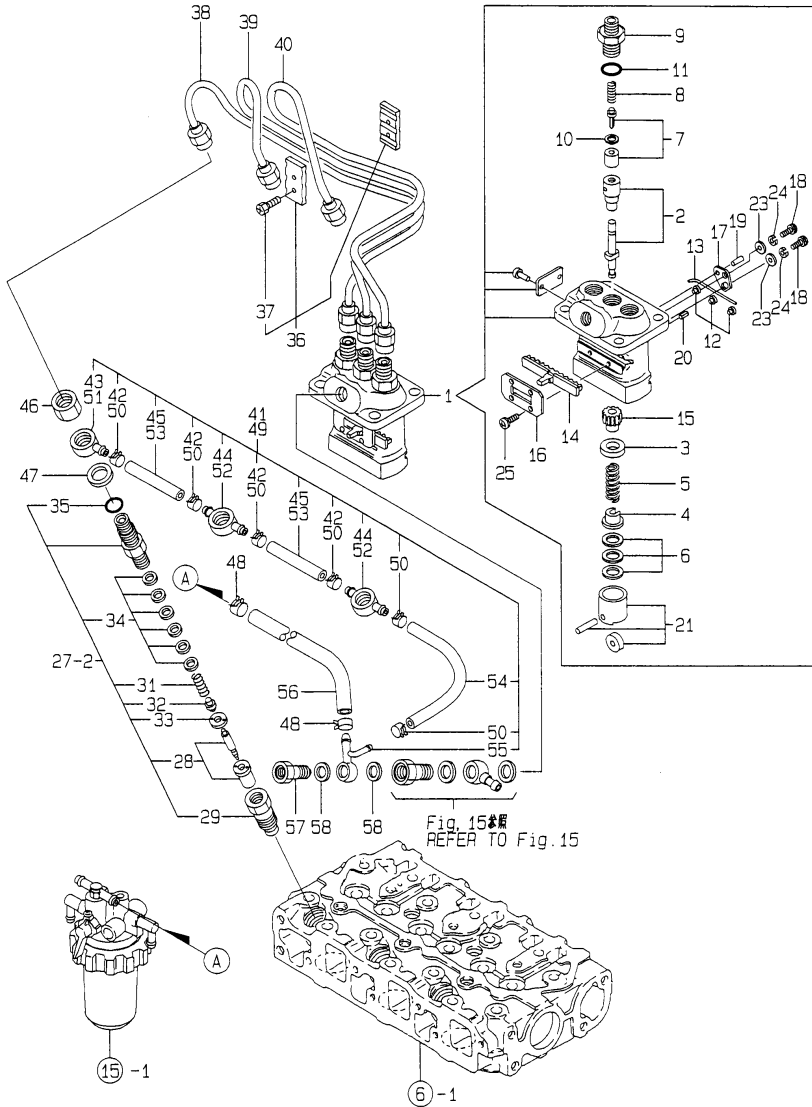
(A)=3TN66L-UT
(B)=3TN66L-UT1
(C)=

(D)=
(E)=
(F)=

No.	Lev.	Parts No.	Description	Q'ty						I	R
				(A)	(B)	(C)	(D)	(E)	(F)		
1	1	119244-42000	PUMP ASSY, WATER	1							
1-1	1	119244-42001	PUMP ASSY, WATER	1	1						N
(A=E55249)											
1A	2	23871-030000	PLUG, R03	1	1						W
(A=FROM 1ST)											
1J	2	119225-42320	O-RING	1	1						
2	1	119260-42020	GASKET, WATER PUMP	1	1						
6	1	26106-080452	BOLT, M8X 45 PLATED	3	3						
7	1	119650-42291	V-BELT, 35	1	1						
8	1	119620-42350	V-PULLEY	1	1						
9	1	121023-44740	FAN, COOLING	1	1						
10	1	26014-060352	BOLT, M6X 35	4	4						
11	1	119260-49530	COVER, THERMOSTAT	1	1						
12	1	119260-49800	THERMOSTAT, 71	1	1						
13	1	24321-000350	O-RING, 1AG35.0	1	1						
14	1	26106-060182	BOLT, M6X 18 PLATED	2	2						
15	1	23414-160000	GASKET, 16X1.0	1							
15-1	1	124465-44950	GASKET, 16	2	2						N
(A=FROM 1ST)											
16	1	23887-160002	PLUG, 16	1							
16-1	1	121450-42450	PLUG, M16	2	2						N
(A=FROM 1ST)											

Fig.13. FUEL INJECTION DEVICE

Y00D6170
3TN66L-UT, UT1



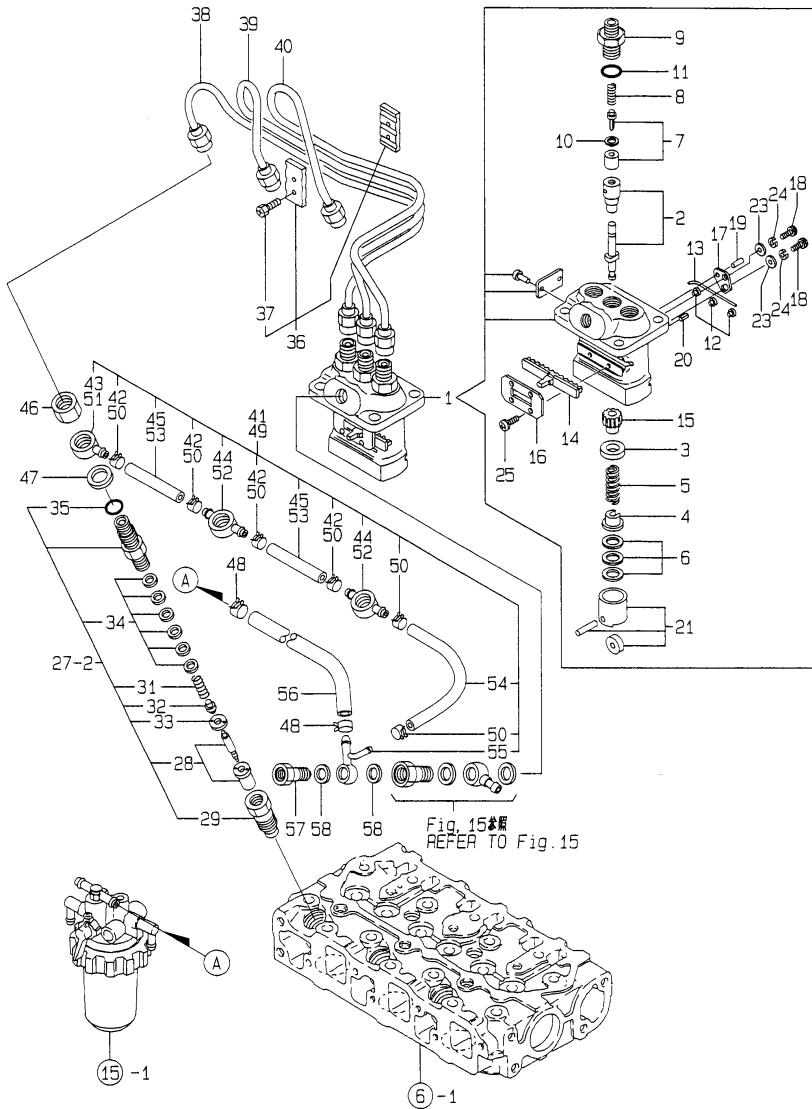
(A)=3TN66L-UT
(B)=3TN66L-UT1
(C)=

(D)=
(E)=
(F)=

No.	Lev.	Parts No.	Description	Q'ty						I	R
				(A)	(B)	(C)	(D)	(E)	(F)		
1	1	719225-51100	PUMP ASSY, INJECTION	1	1						
2	2	119225-51100	PLUNGER ASSY	3	3						
3	2	119620-51170	RETAINER, SPRING A	3	3						
4	2	119620-51180	RETAINER, SPRING B	3	3						
5	2	119620-51190	SPRING, PLUNGER	3	3						
6	2	119620-51250	SHIM SET	3	3						
7	2	119225-51300	VALVE ASSY, DELIVERY	3	3						
8	2	105546-51330	SPRING, DELIVERY	3	3						
9	2	119620-51340	HOLDER, DELIVERY	3	3						
10	2	119620-51350	GASKET	3	3						
11	2	119620-51370	O-RING	3	3						
12	2	119620-51450	PIECE	3	3						
13	2	119620-51461	PIN	1	1						
14	2	119660-51500	RACK, CONTROL	1	1						
15	2	119620-51510	PINION	3	3						
16	2	119660-51530	RETAINER, RACK	1	1						
17	2	119620-51650	PLATE	2	2						
18	2	119620-51660	SCREW	2	2						
19	2	119620-51670	PIN	2	2						
20	2	119620-51680	PIN	1	1						
21	2	119620-51700	TAPPET ASSY	3	3						
23	2	22137-040000	WASHER, 4	2	2						
24	2	22217-040000	WASHER, SPRING 4	2	2						
25	2	26022-040082	SCREW, M4X 8	4	4						
27	1	719255-53100	VALVE ASSY,INJECTION	3							
27-1	1	719620-53100	VALVE ASSY,INJECTION	3							R
(A=FROM 1ST)											
27-2	1	719620-53700	VALVE ASSY,INJECTION	3	3						N
(A=FROM 1ST)											
28	2	119620-53000	VALVE ASSY,INJECTION	3	3						
29	2	119620-53080	NUT, NOZZLE	3	3						
31	2	119620-53120	SPRING, NOZZLE	3	3						
32	2	114250-53130	SEAT, SPRING	3	3						
33	2	119620-53140	SPACER, VALVE STOP	3	3						
34	2	114250-53400	SHIM SET	3	3						
35	2	129155-61830	O-RING, S10	3	3						
36	1	129150-59120	RETAINER, PIPE	1	1						
37	2	129150-59130	BOLT, M4X12	2							
37-1	2	129150-59131	BOLT, M4X14	2	2						N
(A=E42835)											
38	1	119225-59810	PIPE ASSY, INJECTION	1	1						
39	1	119260-59820	PIPE ASSY, INJECTION	1	1						
40	1	119260-59830	PIPE ASSY, INJECTION	1	1						
41	1	119260-59540	PIPE ASSY, RETURN	1							
42	2	124066-59100	CLIP, HOSE 8	4							
43	2	119260-59520	JOINT	1							
44	2	119260-59530	JOINT	2							
45	2	119260-59550	PIPE, FUEL	2							
46	1	119620-59700	NUT, NOZZLE	3	3						
47	1	23414-140000	GASKET, 14X1.0	3	3						
48	1	124766-59050	CLIP, HOSE 12		2						

Fig.13. FUEL INJECTION DEVICE

Y00D6170
3TN66L-UT, UT1



(A)=3TN66L-UT
(B)=3TN66L-UT1
(C)=

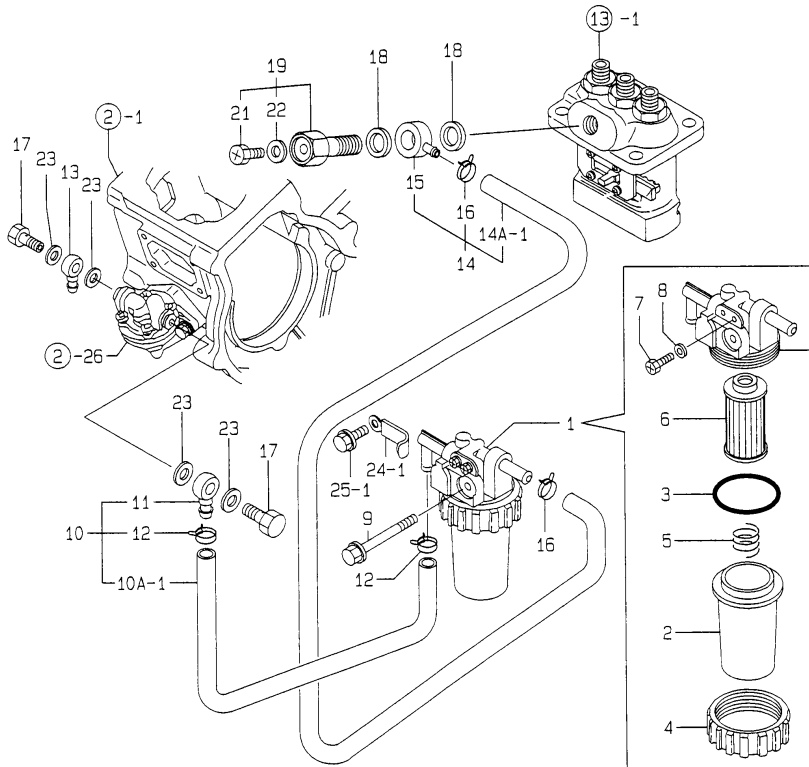
(D)=
(E)=
(F)=

No.	Lev.	Parts No.	Description	Q'ty						I	R
				(A)	(B)	(C)	(D)	(E)	(F)		
49	1	119642-59540	PIPE ASSY, RETURN		1						
50	2	124066-59100	CLIP, HOSE 8		6						
51	2	119260-59520	JOINT		1						
52	2	119260-59530	JOINT		2						
53	2	105025-59550	PIPE, FUEL RETURN		2						
54	2	119642-59550	PIPE, FUEL RETURN		1						
55	2	119642-59570	JOINT, OVER FLOW		1						
56	1	119225-59560	PIPE, FUEL		1						
57	1	124550-59820	BOLT, PIPE JOINT M8		1						
58	1	23414-080012	GASKET, 8X1.0		2						

Fig.14. FUEL LINE

Y00D6170
3TN66L-UT, UT1

FOR 3TN66L-UT



(A)=3TN66L-UT
(B)=3TN66L-UT1
(C)=

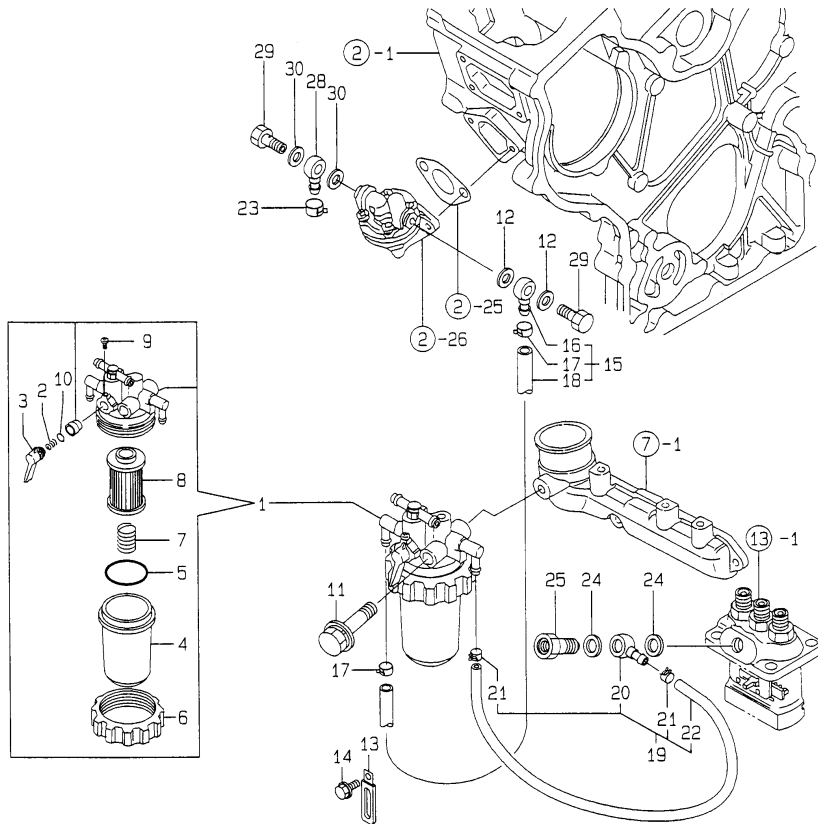
(D)=
(E)=
(F)=

No.	Lev.	Parts No.	Description	Q'ty						I	R
				(A)	(B)	(C)	(D)	(E)	(F)		
1	1	119225-55600	FILTER ASSY, FUEL	1							
2	2	121254-55510	COVER	1							
3	2	102103-55520	O-RING	1							
4	2	110250-55610	RING, RETAINING	1							
5	2	121250-55620	SPRING	1							
6	2	124550-55700	FILTER, FUEL L=90	1							
7	2	101720-55750	PLUG, 6	2							
8	2	23418-060000	GASKET, 6X1.0	2							
9	1	26106-080652	BOLT, M8X 65 PLATED	1							
9-1	1	26014-080702	BOLT, M8X 70	1							N
		(A=E16897)									
10	1	119244-59020	PIPE ASSY, FUEL	1							
10A	2	121024-59090	PIPE, FUEL D12X450	1							
10A-1	2	121522-59100	PIPE, FUEL D12X500	1							N
		(A=FROM 1ST)									
11	2	104264-59030	JOINT, PIPE 8	1							
12	2	124766-59050	CLIP, HOSE 12	2							
13	1	104264-59030	JOINT, PIPE 8	1							
14	1	119260-59030	PIPE, FUEL	1							
14-1	1	119244-59030	PIPE, FUEL L=155	1							N
		(A=EXXX)									
14-2	1	119260-59031	PIPE, FUEL	1							N
		(A=E12136)									
14A	2	105990-59560	PIPE, FUEL	1							
14A-1	2	124767-59080	PIPE, FUEL	1							N
		(A=FROM 1ST)									
15	2	101304-59020	JOINT, PIPE 12	1							
16	2	124766-59050	CLIP, HOSE 12	2							
17	1	105582-59150	BOLT, PIPE JOINT	2							
18	1	104200-59170	GASKET, 12	2							
19	1	103854-59191	BOLT ASSY, JOINT M12	1							
21	2	124060-59380	PLUG, 6	1							
22	2	43400-500390	SEAL WASHER 6S	1							
22-1	2	22190-060002	WASHER, SEAL 6	1							N
		(A=E39536)									
23	1	23414-080012	GASKET, 8X1.0	4							
23-1	1	22190-080002	WASHER, SEAL 6	4							N
		(A=E39536)									
24	1	171056-59920	CLAMP, CORD	1							
24-1	1	194180-51640	CLAMP, HARNESS	1							N
		(A=FROM 1ST)									
25	1	26106-080122	BOLT, M8X 12 PLATED	1							
25-1	1	26106-100122	BOLT, M10X 12 PLATED	1							N
		(A=FROM 1ST)									

Fig.15. FUEL LINE

Y0006170
3TN66L-UT, UT1

FOR 3TN66L-UT1



(A)=3TN66L-UT
(B)=3TN66L-UT1
(C)=

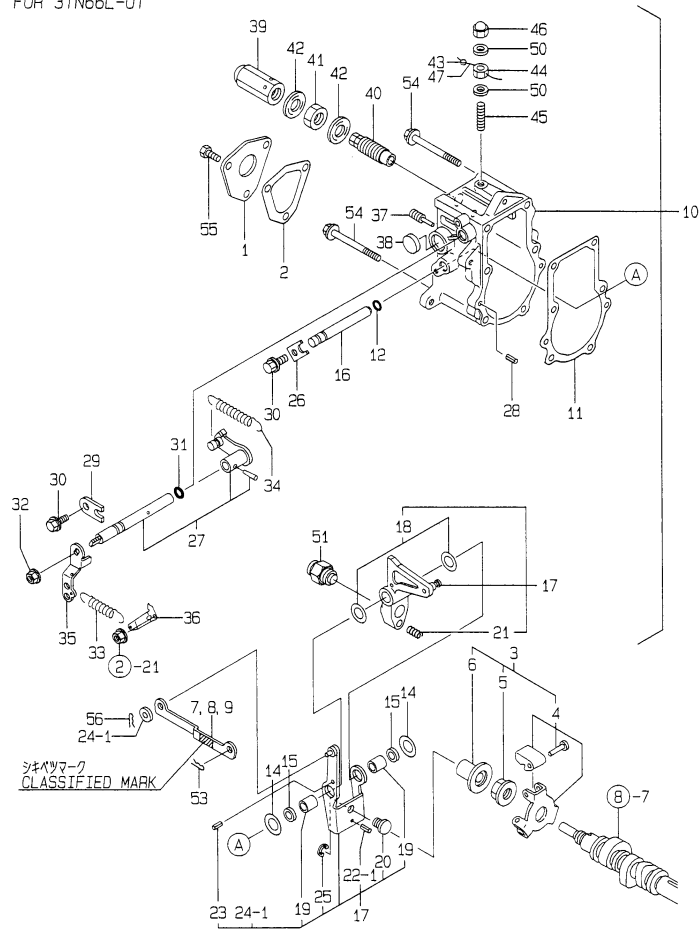
(D)=
(E)=
(F)=

No.	Lev.	Parts No.	Description	Q'ty						I	R
				(A)	(B)	(C)	(D)	(E)	(F)		
1	1	119255-55620	FILTER ASSY, FUEL		1						
2	2	104200-55330	SPRING, VALVE		1						
3	2	119810-55340	LEVER		1						
4	2	121254-55510	COVER		1						
5	2	102103-55520	O-RING		1						
6	2	110250-55610	RING, RETAINING		1						
7	2	121250-55620	SPRING		1						
8	2	124550-55700	FILTER, FUEL L=90		1						
9	2	104200-55750	SCREW, M4		1						
10	2	24311-240100	O-RING, 1AP10A		1						
11	1	26014-080702	BOLT, M8X 70		1						
12	1	22190-080002	WASHER, SEAL 6		2						
13	1	194180-51640	CLAMP, HARNESS		1						
14	1	26106-100122	BOLT, M10X 12 PLATED		1						
15	1	119244-59020	PIPE ASSY, FUEL		1						
16	2	104264-59030	JOINT, PIPE 8		1						
17	2	124766-59050	CLIP, HOSE 12		2						
18	2	121522-59100	PIPE, FUEL D12X500		1						
19	1	119230-59031	PIPE ASSY, FUEL		1						
20	2	101304-59020	JOINT, PIPE 12		1						
21	2	124766-59050	CLIP, HOSE 12		2						
22	2	119230-59080	PIPE, FUEL D12X185		1						
23	1	124766-59050	CLIP, HOSE 12		1						
24	1	104200-59170	GASKET, 12		2						
25	1	119462-59190	BOLT ASSY, JOINT		1						
28	1	104264-59030	JOINT, PIPE 8		1						
29	1	105582-59150	BOLT, PIPE JOINT		2						
30	1	22190-080002	WASHER, SEAL 6		2						

Fig.16. GOVERNOR

Y0006170
3TN66L-UT, UT1

FOR 3TN66L-UT



Remarks
(1) SELECTIVE PARTS: CERTAIN THE CLASSIFICATION MARK, THEN PLACE YOUR ORDER.(REFER TO ILLUSTRATION).

(A)=3TN66L-UT
(B)=3TN66L-UT1
(C)=

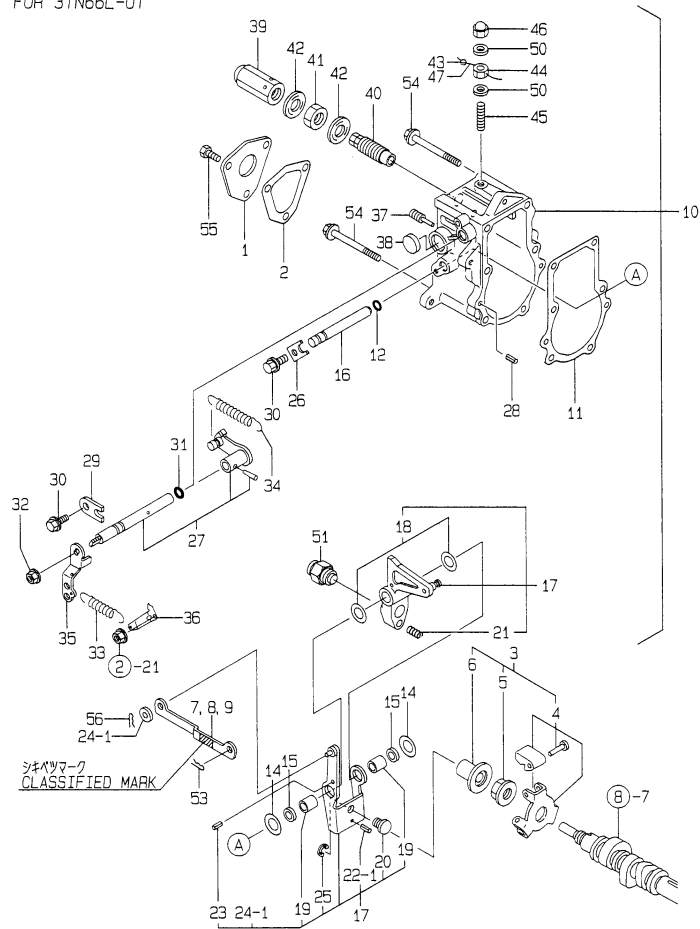
(D)=
(E)=
(F)=

No.	Lev.	Parts No.	Description	Q'ty						I	R
				(A)	(B)	(C)	(D)	(E)	(F)		
1	1	119660-61060	COVER, GOVERNOR CASE	1							
2	1	119660-61070	GASKET	1							
2-1	1	119660-61071	GASKET	1							R
(A=E24680)											
3	1	119600-61100	DRIVE ASSY	1							W
(A=EXXX)											
4	2	119600-61200	WEIGHT ASSY,GOVERNOR	1							
5	2	119660-61300	NUT	1							
6	2	119660-61341	SLEEVE	1							
7	1	119660-61121	LINK, NO MARK	1							1
8	1	119660-61140	LINK, MARK :2	1							W 1
(A=E11675)											
9	1	119660-61150	LINK, MARK :3	1							W 1
(A=E11675)											
10	1	119610-61200	CASE ASSY, GOVERNOR	1							W
(A=EXXX)											
11	2	119660-61051	GASKET	1							
11-1	2	119660-61052	GASKET	1							R
(A=E24680)											
12	2	129155-51280	O-RING, S6	1							
14	2	119660-61460	SHIM SET	1							
15	2	129155-61480	SPACER ASSY	2							
16	2	119660-61491	SHAFT	1							
17	2	119656-61500	LEVER ASSY, GOVERNOR	1							
18	3	174307-51700	SHIM SET	2							
19	3	121450-61520	BEARING, NEEDLE 8	2							
20	3	119600-61540	SHIFTER	1							
20-1	3	119600-61541	SHIFTER	1							N
(A=E48188)											
21	3	119660-61651	SPRING, STARTING	1							
22	3	22117-040000	WASHER, 4	1							
22-1	3	22351-030014	PIN, SPRING 3.0X14	1							S
(A=FROM 1ST)											
23	3	22351-020004	PIN, SPRING 2.0X 4	1							Z
(A=E48188)											
24	3	22351-030014	PIN, SPRING 3.0X14	1							
24-1	3	22117-040000	WASHER, 4	1							S
(A=FROM 1ST)											
25	3	22272-000040	RING, E- 4	1							
26	2	119660-61901	RETAINER, SHAFT	1							
27	2	119621-66091	SHAFT ASSY	1							
28	2	22351-040010	PIN, SPRING 4.0X10	2							
29	2	119600-61900	RETAINER, SHAFT	1							
30	2	26106-060102	BOLT, M6X 10 PLATED	2							
31	2	24341-000070	O-RING, 1AS7.0	1							
32	1	194990-22050	NUT, M8	1							
33	1	119840-61870	SPRING	1							
34	1	119600-66020	SPRING, REGULATOR	1							
35	1	119640-66051	HANDLE, REGULATOR	1							
36	1	119656-66910	HOOK	1							
37	1	124250-03640	SCREW	1							

Fig.16. GOVERNOR

Y0006170
3TN66L-UT, UT1

FOR 3TN66L-UT



(A)=3TN66L-UT
(B)=3TN66L-UT1
(C)=

(D)=
(E)=
(F)=

No.	Lev.	Parts No.	Description	Q'ty						I	R
				(A)	(B)	(C)	(D)	(E)	(F)		
38	1	119640-61400	PLUG	1							
39	1	129100-61930	NUT, CAP	1							
40	1	119260-66540	LIMITER ASSY, FUEL	1							
41	1	124772-66750	NUT, LOCK M12	1							
41-1	1	26776-120002	NUT, LOCK M12	1							R
(A=E43690)											
42	1	43400-500450	SEAL WASHER 12S	2							
42-1	1	22190-120002	WASHER, SEAL 12	2							N
(A=E39536)											
43	1	135210-61090	LEAD	1							
44	1	124550-66370	NUT, M6	1							
45	1	121575-66830	SCREW	1							
46	1	119600-66840	NUT, CAP	1							
47	1	22451-060000	WIRE, 0.6	1							
50	1	43400-500400	WASHER, 6	2							
50-1	1	22190-060003	SEAL WASER 6	2							N
(A=E39536)											
51	1	119600-66720	ANGLEICH ASSY	1							
53	1	22360-060000	PIN, SNAP 6	1							
54	1	26106-060702	BOLT, M6X 70 PLATED	6							
55	1	26116-050102	BOLT, M5X 10 PLATED	3							
56	1	22360-040000	PIN, SNAP 4	1							

Remarks

(1) SELECTIVE PARTS: CERTAIN THE CLASSIFICATION MARK, THEN PLACE YOUR ORDER.(REFER TO ILLUSTRATION).

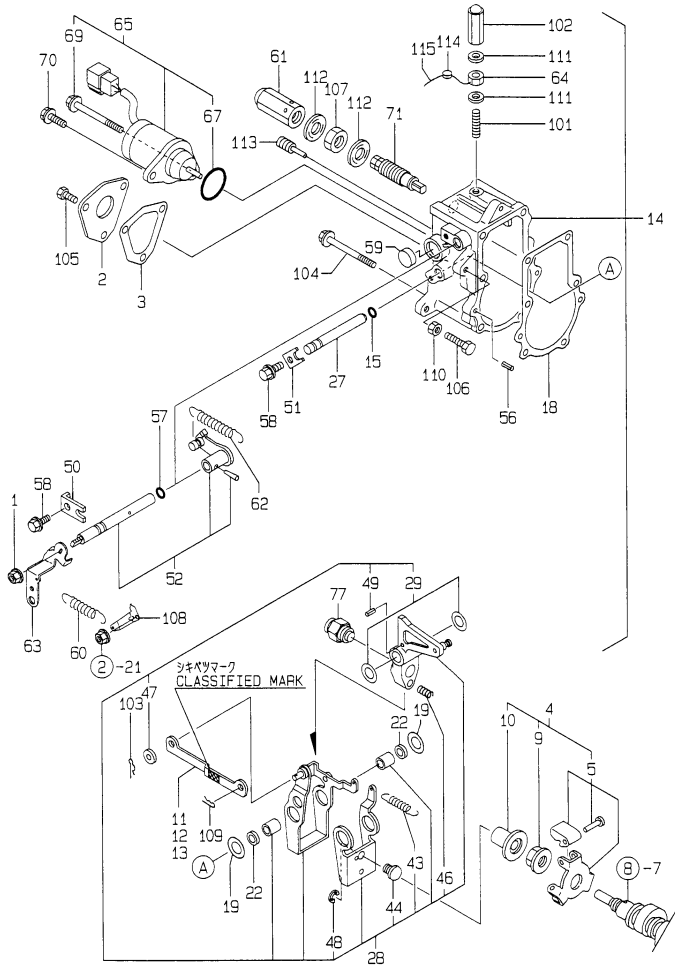
Fig.17. GOVERNOR

(A)=3TN66L-UT
(B)=3TN66L-UT1
(C)=

(D)=
(E)=
(F)=

Y00D6170
3TN66L-UT, UT1

FOR 3TN66L-UT1



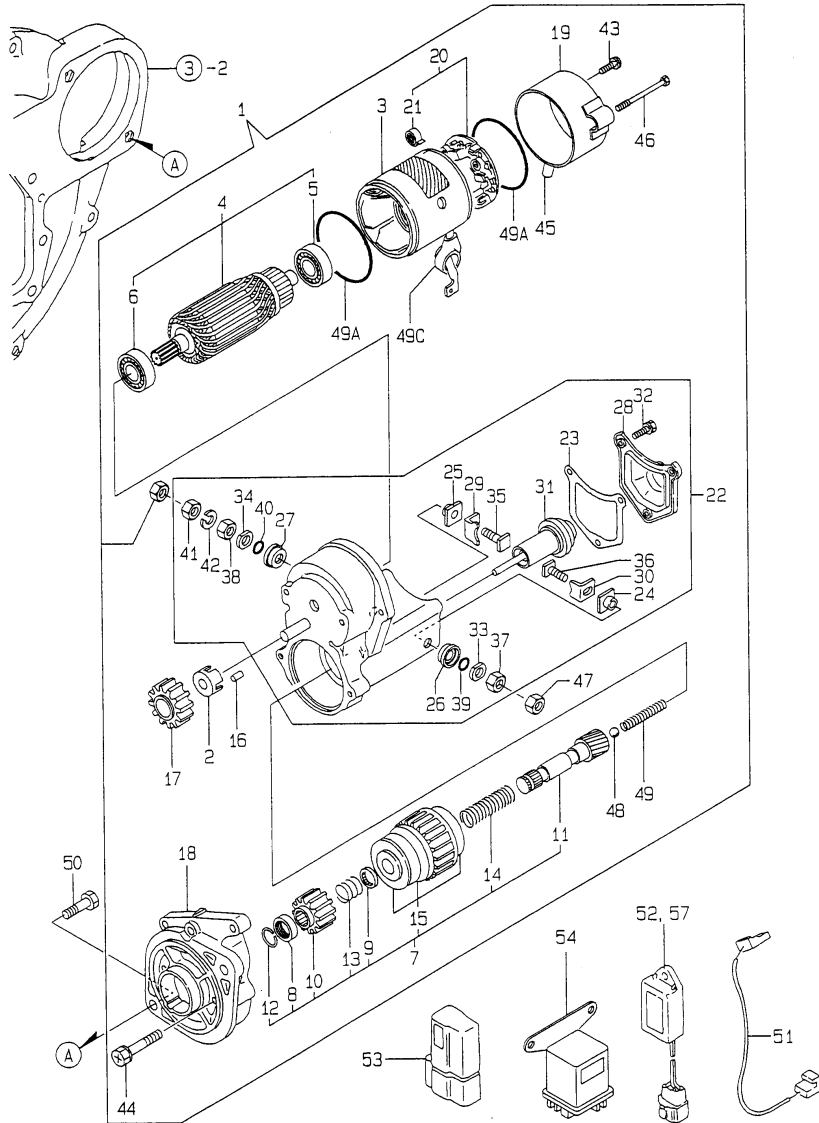
No.	Lev.	Parts No.	Description	Q'ty						I	R
				(A)	(B)	(C)	(D)	(E)	(F)		
1	1	194990-22050	NUT, M8		1						
2	1	119660-61060	COVER, GOVERNOR CASE		1						
3	1	119660-61071	GASKET		1						
4	1	119600-61100	DRIVE ASSY		1						
5	2	119600-61200	WEIGHT ASSY,GOVERNOR		1						
9	2	119660-61300	NUT		1						
10	2	119660-61341	SLEEVE		1						
11	1	119660-61121	LINK, NO MARK		1						1
12	1	119660-61140	LINK, MARK :2		1						1
13	1	119660-61150	LINK, MARK :3		1						1
14	1	119632-61200	CASE ASSY, GOVERNOR		1						
15	2	129155-51280	O-RING, S6		1						
18	2	119660-61052	GASKET		1						
19	2	119660-61460	SHIM SET		1						
22	2	129155-61480	SPACER ASSY		2						
27	2	119660-61491	SHAFT		1						
28	2	119232-61510	LEVER ASSY, GOVERNOR		1						
29	3	174307-51700	SHIM SET		2						
43	3	119232-61540	SPRING		1						
44	3	119600-61541	SHIFTER		1						
46	3	119660-61651	SPRING, STARTING		1						
47	3	22117-040000	WASHER, 4		1						
48	3	22272-000040	RING, E- 4		1						
49	3	22351-030014	PIN, SPRING 3.0X14		1						
50	2	119600-61900	RETAINER, SHAFT		1						
51	2	119660-61901	RETAINER, SHAFT		1						
52	2	119285-66080	SHAFT ASSY		1						
56	2	22351-040010	PIN, SPRING 4.0X10		2						
57	2	24341-000070	O-RING, 1AS7.0		1						
58	2	26106-060102	BOLT, M6X 10 PLATED		2						
59	1	119640-61400	PLUG		1						
60	1	119840-61870	SPRING		1						
61	1	129100-61930	NUT, CAP		1						
62	1	119600-66020	SPRING, REGULATOR		1						
63	1	119640-66051	HANDLE, REGULATOR		1						
64	1	124550-66370	NUT, M6		1						
65	1	119233-66511	STOPPER ASSY		1						
67	2	24341-000280	O-RING, 1AS28.0		1						
69	2	26106-060952	BOLT, M6X 95 PLATED		1						
70	1	121465-59950	BOLT, M6X16		1						
71	1	119260-66540	LIMITER ASSY, FUEL		1						
77	1	119600-66720	ANGLEICH ASSY		1						
101	1	121575-66830	SCREW		1						
102	1	119600-66840	NUT, CAP		1						
103	1	22360-040000	PIN, SNAP 4		1						
104	1	26106-060702	BOLT, M6X 70 PLATED		6						
105	1	26116-050102	BOLT, M5X 10 PLATED		3						
106	1	26116-060304	BOLT, M6X 30 PLATED		1						
107	1	26776-120002	NUT, LOCK M12		1						
108	1	119656-66910	HOOK		1						
109	1	22360-060000	PIN, SNAP 6		1						

Remarks

(1) SELECTIVE PARTS: CERTAIN THE CLASSIFICATION MARK, THEN PLACE YOUR ORDER.(REFER TO ILLUSTRATION).

Fig.18. STARTING MOTOR

Y00D6170
3TN66L-UT, UT1



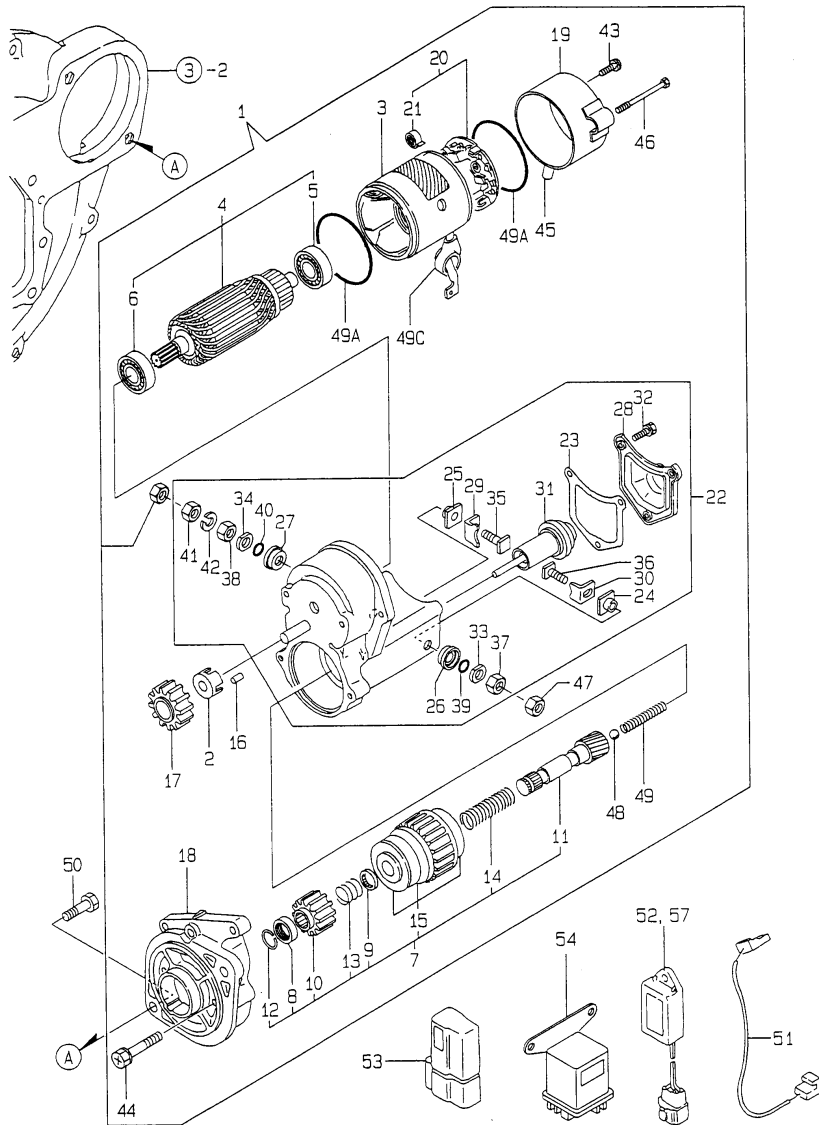
(A)=3TN66L-UT
(B)=3TN66L-UT1
(C)=

(D)=
(E)=
(F)=

No.	Lev.	Parts No.	Description	Q'ty						I	R
				(A)	(B)	(C)	(D)	(E)	(F)		
1	1	119641-77010	STARTER, 1.4KW	1							
1-1	1	119641-77011	STARTER, RA1.4	1	1						R
(A=E39307)											
2	2	X0280630011	RETAINER	1							
2-1	2	129129-77260	RETAINER	1	1						S
(A=E39307)											
3	2	X0281003770	YOKE ASSY	1							
3-1	2	129407-77210	YOKE ASSY	1	1						S
(A=E39307)											
4	2	X0282002320	HOUSING ASSY	1							
4-1	2	129407-77220	ARMATURE ASSY	1	1						S
(A=E39307)											
5	3	X9491002760	BALL BEARING	1							
5-1	3	129129-77230	BEARING	1	1						S
(A=E39307)											
6	3	X9491002590	BALL BEARING	1							
6-1	3	129129-77240	BEARING	1	1						S
(A=E39307)											
7	2	X0283005690	CLUTCH	1							
7-1	2	119641-77250	STARTER	1	1						S
(A=E39307)											
8	3	X0280210230	NUT	1	1						
9	3	X0283270140	RETAINER	1	1						
10	3	X0283715640	PINION	1	1						
11	3	X0283810040	SHAFT	1							
11-1	3	129129-77400	SHAFT	1	1						S
(A=E39307)											
12	3	X9490721080	RING	1							
12-1	3	129129-77430	RING	1	1						S
(A=E39307)											
13	3	X9491703371	SPRING, COIL	1	1						
14	3	X9491704260	SPRING	1							
14-1	3	129129-77410	SPRING, COIL	1	1						S
(A=E39307)											
15	3	121120-77930	CASE ASSY, STARTER	1							
15-1	3	129129-77390	CLUTCH ASSY	1	1						S
(A=E39307)											
16	2	X0283060061	ROLLER	5	5						
17	2	X0283711420	PINION	1							
17-1	2	129129-77270	PINION	1	1						S
(A=E39307)											
18	2	X1284000710	HOUSING	1							
18-1	2	121120-77280	HOUSING	1	1						S
(A=E39307)											
19	2	X0285011600	FRAME	1							
19-1	2	129129-77290	FRAME	1	1						S
(A=E39307)											
20	2	X0285100750	HOLDER ASSY, BRUSH	1							
20-1	2	129407-77300	HOLDER ASSY	1	1						S
(A=E39307)											
21	3	X9491730461	SPRING	4	4						

Fig.18. STARTING MOTOR

Y00D6170
3TN66L-UT, UT1



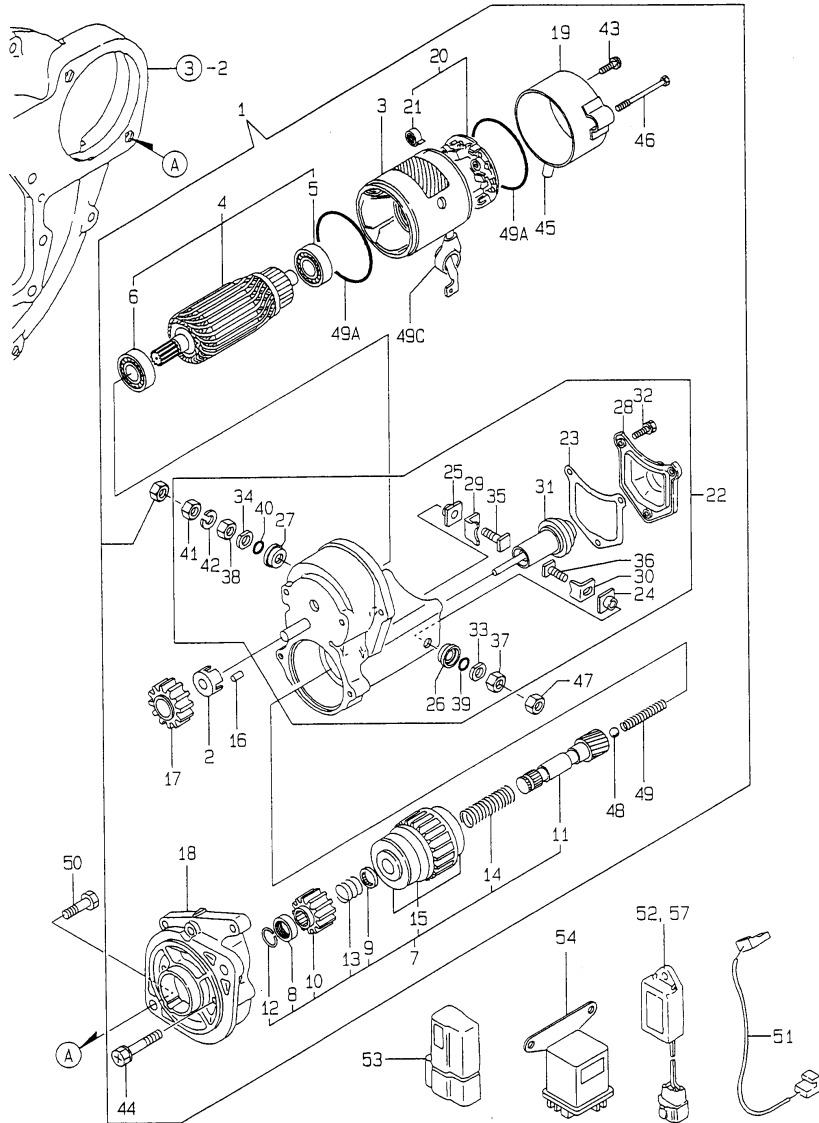
(A)=3TN66L-UT
(B)=3TN66L-UT1
(C)=

(D)=
(E)=
(F)=

No.	Lev.	Parts No.	Description	Q'ty						I	R
				(A)	(B)	(C)	(D)	(E)	(F)		
22	2	X0534006470	SWITCH ASSY,MAGNETIC	1							
22-1	2	129407-77310 (A=E39307)	SWITCH ASSY	1	1						S
23	3	X0534040320 (A=E39307)	GASKET	1							Z
24	3	X0534490121 (A=E39307)	BUSH	1							Z
25	3	X0534490121 (A=E39307)	BUSH	1							Z
26	3	X0534490230 (A=E39307)	BUSH	1							Z
27	3	X0534490230 (A=E39307)	BUSH	1							Z
28	3	X0535050620 (A=E39307)	COVER	1							Z
29	3	X0535130241 (A=E39307)	PLATE	1							Z
30	3	X0535130320 (A=E39307)	PLATE	1							Z
31	3	X0536600401 (A=E39307)	PLUNGER	1							Z
32	3	X9151005141 (A=E39307)	BOLT	3							Z
33	3	X9490170900 (A=E39307)	WASHER	1							Z
34	3	X9490170900 (A=E39307)	WASHER	1							Z
35	3	X9490441303 (A=E39307)	BOLT	1							Z
36	3	X9490441312 (A=E39307)	BOLT	1							Z
37	3	X9490502820 (A=E39307)	NUT	1							Z
38	3	X9490502820 (A=E39307)	NUT	1							Z
39	3	X9491402100 (A=E39307)	O-RING	1							Z
40	3	X9491402100 (A=E39307)	O-RING	1							Z
41	2	X9019008651 (A=E39307)	NUT	1							Z
42	2	X9025808001 (A=E39307)	WASHER	1							Z
43	2	X0289030010	SCREW	2	2						
44	2	X9490071970	SCREW	2							
44-1	2	129129-77320 (A=E39307)	BOLT	2	2						S
45	2	X0280620480	COVER	1							
45-1	2	129129-77361 (A=E39307)	BUSH	1	1						S
46	2	X9490422570	BOLT	2							

Fig.18. STARTING MOTOR

Y00D6170
3TN66L-UT, UT1



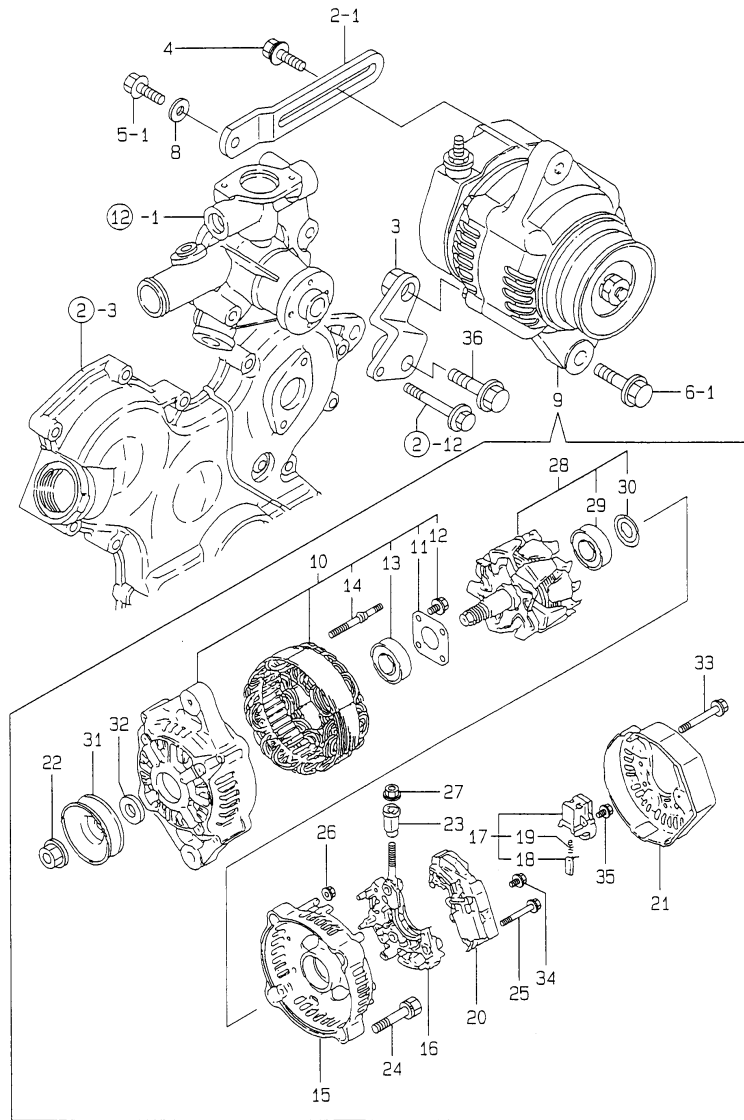
(A)=3TN66L-UT
(B)=3TN66L-UT1
(C)=

(D)=
(E)=
(F)=

No.	Lev.	Parts No.	Description	Q'ty						I	R
				(A)	(B)	(C)	(D)	(E)	(F)		
46-1	2	129407-77330 (A=E39307)	BOLT	2	2						S
47	2	X9490561370	NUT	1	1						
48	2	X9491200240	BALL	1	1						
49	2	X9491703380	SPRING	1							
49-1	2	129129-77340 (A=E39307)	SPRING	1	1						S
49A	2	129129-77350 (A=E39307)	O-RING	2	2						W
49C	2	129129-77380 (A=E39307)	CAP	1	1						W
50	1	26116-120252	BOLT, M12X 25 PLATED	2	2						
51	1	119006-77900	CONNECTOR, STARTER	1	1						
52	1	128300-77920	TIMER	1	1						
53	1	119643-66900	DIODE		1						
54	1	119650-77910	RELAY ASSY, GLOW		1						
57	1	119632-77920	TIMER		1						

Fig.19. GENERATOR

Y00D6170
3TN66L-UT, UT1



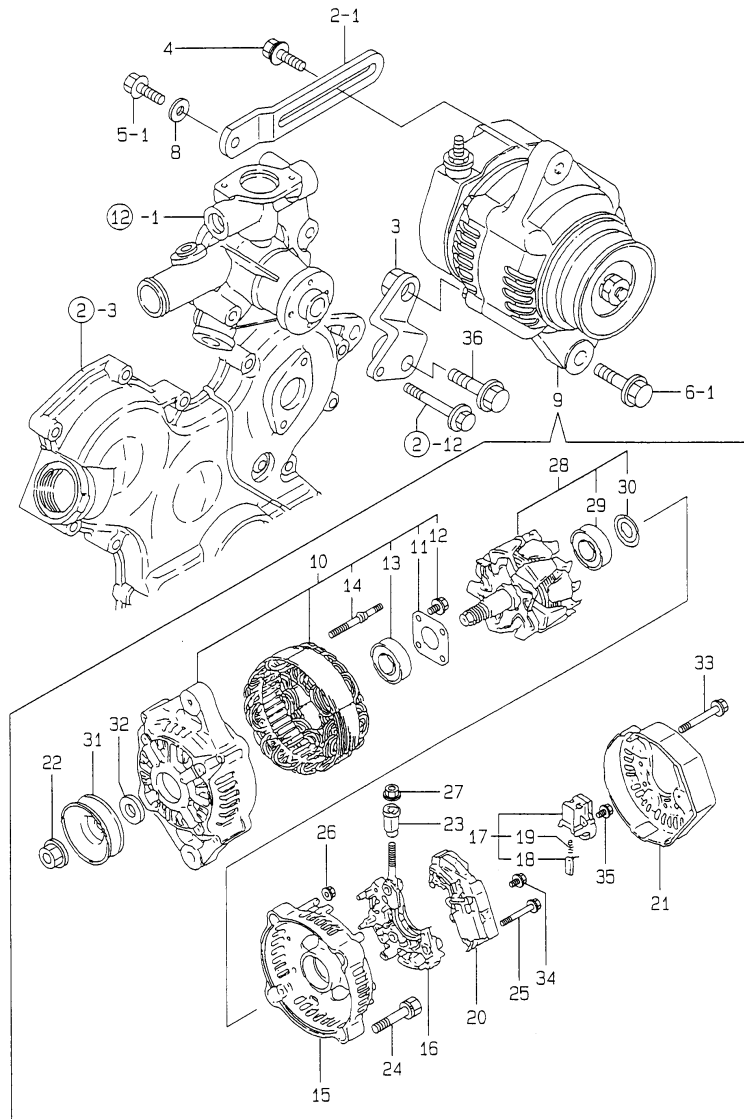
(A)=3TN66L-UT
(B)=3TN66L-UT1
(C)=

(D)=
(E)=
(F)=

No.	Lev.	Parts No.	Description	Q'ty						I	R
				(A)	(B)	(C)	(D)	(E)	(F)		
2	1	119244-77330	ADJUSTER	1							
2-1	1	121521-77330	ADJUSTER	1	1						N
(A=FROM 1ST)											
3	1	119244-77450	BRACKET, GENERATOR	1	1						
4	1	26014-080252	BOLT, M8X 25	1	1						
5	1	26106-080182	BOLT, M8X 18 PLATED	1							
5-1	1	26106-080202	BOLT, M8X 20 PLATED	1	1						N
(A=FROM 1ST)											
6	1	26106-100402	BOLT, M10X 40 PLATED	1							
6-1	1	26106-100502	BOLT, M10X 50 PLATED	1							S
(A=FROM 1ST)											
6-2	1	26106-100402	BOLT, M10X 40 PLATED	1	1						S
(A=EXXX)											
8	1	22137-080000	WASHER, 8	1	1						W
(A=FROM 1ST)											
9	1	128400-77200	GENERATOR, 12V-40A	1	1						W
(A=FROM 1ST)											
10	2	X0214005710	FRAME	1	1						W
(A=FROM 1ST)											
11	3	X0214110500	RETAINER	1	1						W
(A=FROM 1ST)											
12	3	X9490065200	SCREW	4	4						W
(A=FROM 1ST)											
13	3	X9491002950	BEARING, BALL	1	1						
14	3	X9490432120	STUD	2	2						W
(A=FROM 1ST)											
15	2	X0215015280	FRAME	1	1						W
(A=FROM 1ST)											
16	2	X0215803080	HOLDER	1	1						W
(A=FROM 1ST)											
17	2	X0216202190	HOLDER, BRUSH	1	1						W
(A=FROM 1ST)											
18	3	X0216600390	BRUSH	2	2						W
(A=FROM 1ST)											
19	3	X9491706990	SPRING	2	2						W
(A=FROM 1ST)											
20	2	X1260000600	REGULATOR	1	1						W
(A=FROM 1ST)											
21	2	X0215511130	COVER	1	1						W
(A=FROM 1ST)											
22	2	X9490562520	NUT	1	1						W
(A=FROM 1ST)											
23	2	X0216051700	BUSH	1	1						W
(A=FROM 1ST)											
24	2	X9490473410	BOLT	2	2						W
(A=FROM 1ST)											
25	2	X9131004251	SCREW	2	2						W
(A=FROM 1ST)											
26	2	X9490562480	NUT, M5	2	2						W
(A=FROM 1ST)											
27	2	X9490561001	NUT	1	1						W

Fig.19. GENERATOR

Y00D6170
3TN66L-UT, UT1



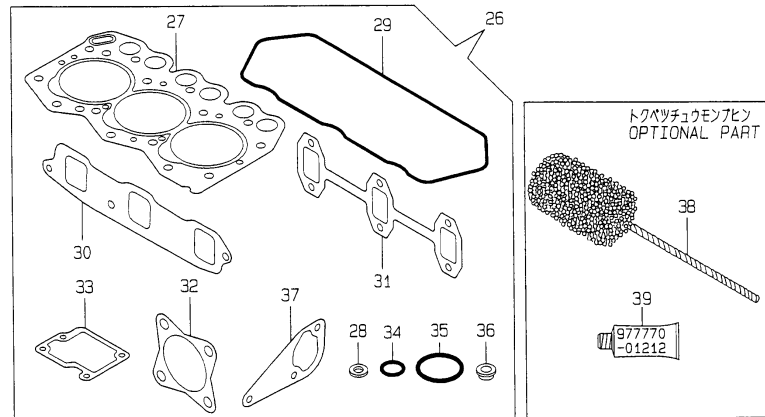
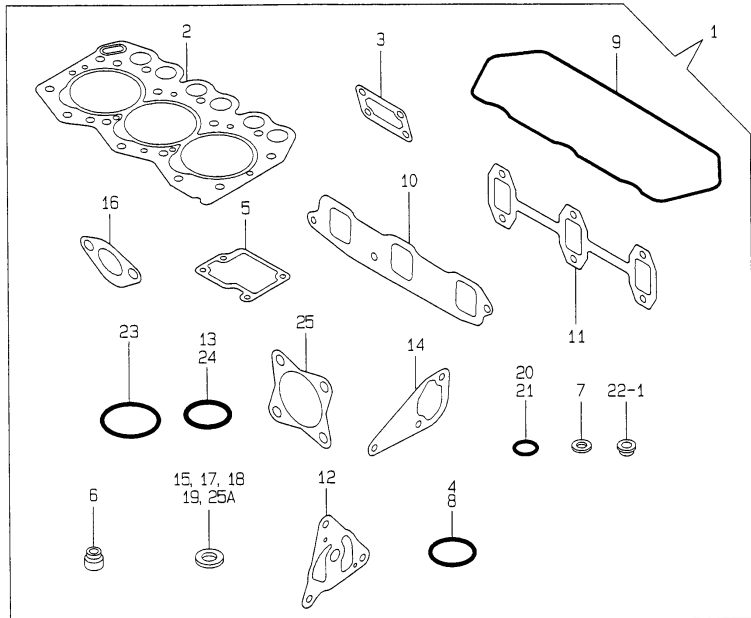
(A)=3TN66L-UT
(B)=3TN66L-UT1
(C)=

(D)=
(E)=
(F)=

No.	Lev.	Parts No.	Description	Q'ty						I	R
				(A)	(B)	(C)	(D)	(E)	(F)		
		(A=FROM 1ST)									
28	2	X0212003520	ROTOR ASSY	1	1						W
		(A=FROM 1ST)									
29	3	X9491003670	BEARING, BALL	1	1						W
		(A=FROM 1ST)									
30	3	X0215060070	COVER, BEARING	1	1						W
		(A=FROM 1ST)									
31	2	X0210415670	PULLEY	1	1						W
		(A=FROM 1ST)									
32	2	X0210450600	COLLAR	1	1						W
		(A=FROM 1ST)									
33	2	X9490462040	BOLT	3	3						W
		(A=FROM 1ST)									
34	2	X9490065470	SCREW	1	1						W
		(A=FROM 1ST)									
35	2	X9490065460	SCREW	6	6						W
		(A=FROM 1ST)									
36	1	26106-100402	BOLT, M10X 40 PLATED	1	1						W
		(A=EXXX)									

Fig.20. GASKET SET

Y00D6170
37N66L-UT, UT1



(A)=3TN66L-UT
(B)=3TN66L-UT1
(C)=

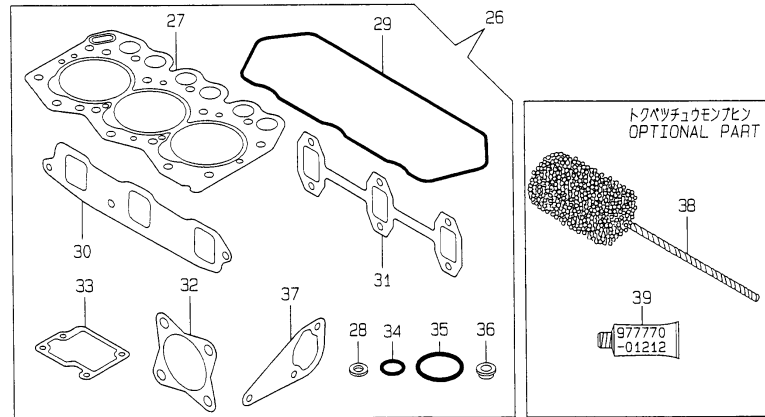
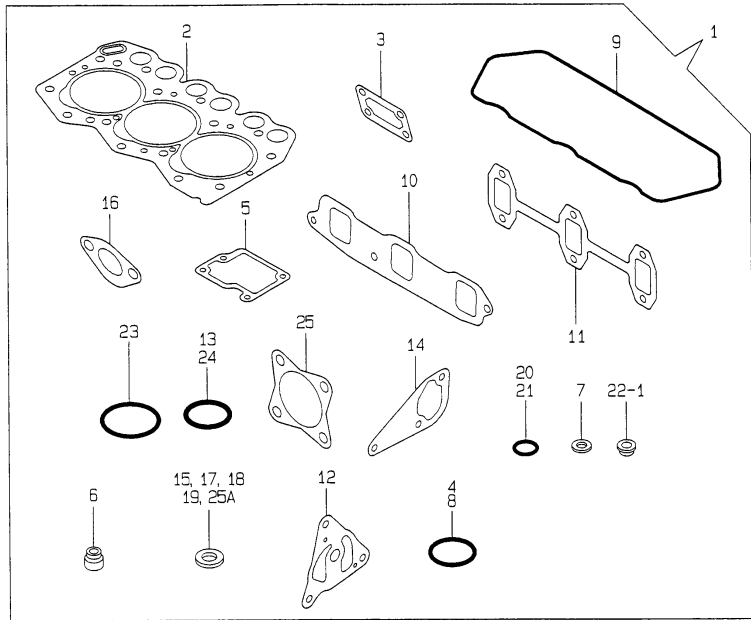
(D)=
(E)=
(F)=

No.	Lev.	Parts No.	Description	Q'ty						I	R
				(A)	(B)	(C)	(D)	(E)	(F)		
1	1	719230-92600	GASKET SET	1							1
1-1	1	719244-92600	GASKET SET	1							N 1
(A=E15942)											
1-2	1	719244-92601	GASKET SET	1	1						N 1
(A=E36289)											
2	2	119225-01340	GASKET, HEAD	1	1						
3	2	119660-01561	GASKET	1							
3-1	2	119660-01562	GASKET	1	1						R
(A=E24680)											
4	2	121420-01760	O-RING	1							
4-1	2	24311-000320	O-RING, 1AP32.0	1	1						N
(A=E15942)											
5	2	119260-03030	GASKET	1							
5-1	2	119260-03031	GASKET	1	1						N
(A=E24680)											
6	2	119260-11340	SEAL, VALVE STEM	6	6						
7	2	119600-11460	GASKET, NOZZLE	6	6						
8	2	121420-01760	O-RING	1							
8-1	2	24311-000320	O-RING, 1AP32.0	1	1						N
(A=E15942)											
9	2	119260-11310	GASKET, BONNET	1	1						
10	2	119270-12110	GASKET, MANIFOLD	1	1						
11	2	119260-13110	GASKET	1	1						
12	2	119660-32020	GASKET, PUMP	1	1						
13	2	124450-35110	O-RING	1							Z
(A=E36289)											
14	2	119260-42020	GASKET, WATER PUMP	1	1						
15	2	124465-44950	GASKET, 16	2	2						
16	2	121520-01850	GASKET	1							
16-1	2	121520-01851	GASKET	1	1						R
(A=E24680)											
17	2	104200-59170	GASKET, 12	2	2						
18	2	23414-080012	GASKET, 8X1.0	4							
18-1	2	22190-080002	WASHER, SEAL 6	4	4						N
(A=E39536)											
19	2	23414-140000	GASKET, 14X1.0	3	3						
20	2	24311-000120	O-RING, 1AP12.0	5	5						
21	2	24311-000180	O-RING, 1AP18.0	1	1						
22	2	24311-240100	O-RING, 1AP10A	1							
22-1	2	119600-11450	PROTECTOR, NOZZLE	3	3						S
(A=FROM 1ST)											
23	2	24321-000350	O-RING, 1AG35.0	1	1						
24	2	24341-000260	O-RING, 1AS26.0	1							
24-1	2	24341-000240	O-RING, 1AS24.0	1	1						S
(A=E18615)											
25	2	121000-13200	GASKET, SILENCER	1							
25-1	2	121000-13201	GASKET, SILENCER	1	1						N
(A=E31149)											
25A	2	23414-080012	GASKET, 8X1.0		2						
26	1	719244-92630	GASKET SET	1							W 1
(A=FROM 1ST)											

Remarks
(1)OPTIONAL PART.

Fig.20. GASKET SET

Y00D6170
37N66L-UT, UT1



(A)=3TN66L-UT
(B)=3TN66L-UT1
(C)=

(D)=
(E)=
(F)=

No.	Lev.	Parts No.	Description	Q'ty						I	R		
				(A)	(B)	(C)	(D)	(E)	(F)				
26-1	1	719244-92631 (A=E31149)	GASKET SET	1	1						N	1	
27	2	119225-01340	GASKET, HEAD		1	1							
28	2	119600-11460	GASKET, NOZZLE	6	6								
29	2	119260-11310	GASKET, BONNET	1	1								
30	2	119270-12110	GASKET, MANIFOLD	1	1								
31	2	119260-13110	GASKET	1	1								
32	2	121000-13200	GASKET, SILENCER	1									
32-1	2	121000-13201	GASKET, SILENCER	1	1							N	
		(A=E31149)											
33	2	119260-03030	GASKET	1									
33-1	2	119260-03031	GASKET	1	1							N	
		(A=E24680)											
34	2	24311-000120	O-RING, 1AP12.0	2	2								
35	2	121420-01760	O-RING	1									
35-1	2	24311-000320	O-RING, 1AP32.0	1	1							N	
		(A=E15942)											
36	2	119600-11450	PROTECTOR, NOZZLE	3	3								
37	2	119260-42020	GASKET, WATER PUMP	1	1								
38	1	129400-92400	HONE	1	1							1	
39	1	977770-01212	GASKET, LIQUID	1	1							W	1
		(A=FROM 1ST)											

Remarks
(1)OPTIONAL PART.

Parts No. Index

Parts No.	Fig. No.	Ref. No.
101304-59020	14	15
	15	20
101720-55750	14	7
102103-55520	14	3
	15	5
103854-59191	14	19
104200-55330	15	2
104200-55750	15	9
104200-59170	14	18
	15	24
	20	17
104264-59030	14	11
		13
	15	16
		28
105010-11230	6	27
		30
105025-59550	13	53
105225-22400	10	4
105546-51330	13	8
105582-59150	14	17
	15	29
105990-59560	14	14 A
110250-55610	14	4
	15	6
114250-11120	6	7
114250-11180	6	8
114250-11190	6	9
114250-53130	13	32
114250-53400	13	34
119006-77900	18	51
119225-01340	1	15 -1
	20	2
		27
119225-14200	8	7
119225-35300	11	7
119225-42320	12	1 J
119225-51100	13	2
119225-51300	13	7
119225-55600	14	1
119225-59560	13	56
119225-59810	13	38
119230-59031	15	19
119230-59080	15	22
119232-61510	17	28
119232-61540	17	43
119233-66511	17	65
119244-03200	5	10
119244-21650	9	8
119244-42000	12	1

Parts No.	Fig. No.	Ref. No.
119244-42001	12	1 -1
119244-59020	14	10
	15	15
119244-59030	14	14 -1
119244-77330	19	2
119244-77450	19	3
119255-01340	1	15
119255-55620	15	1
119260-01200	1	14
119260-01490	2	1
119260-01510	2	2
119260-01590	2	3
119260-01770	4	1 -1
119260-02020	1	8
119260-02410	1	11
119260-02800	1	9
119260-02870	1	16
119260-02930	1	10
119260-03020	5	5
119260-03030	5	6
	20	5
		33
119260-03031	5	6 -1
	20	5 -1
		33 -1
119260-07900	6	33
119260-11100	6	5
119260-11110	6	6
119260-11200	6	20
119260-11240	6	21
119260-11260	6	22
		22 -1
119260-11270	6	23
119260-11280	6	24
119260-11310	5	9
	20	9
		29
119260-11330	5	1 -1
119260-11340	6	10
	20	6
119260-11370	6	11
119260-11800	6	16
119260-13100	7	5
119260-13110	7	6
	20	11
		31
119260-14100	8	4
119260-14200	8	1
119260-14400	8	2
119260-14580	8	3

Parts No.	Fig. No.	Ref. No.
119260-21200	9	2
119260-22300	10	3
119260-23200	10	9
119260-23910	10	8
119260-25100	8	16
119260-32000	11	1
119260-35081	11	9
119260-42020	12	2
	20	14
		37
119260-49530	12	11
119260-49800	12	12
119260-59030	14	14
119260-59031	14	14 -2
119260-59520	13	43
		51
119260-59530	13	44
		52
119260-59540	13	41
119260-59550	13	45
119260-59820	13	39
119260-59830	13	40
119260-66540	16	40
	17	71
119265-11260	6	31 A
119265-23100	10	7 -1
119265-23200	10	9 -1
119266-02410	1	11 -1
119270-12100	7	1
119270-12110	7	2
	20	10
		30
119270-22090	10	1
119270-22091	10	1 -1
119270-22920	10	12
119270-22970	10	14
119285-66080	17	52
119305-35150	11	6
		6 -2
119305-35151	11	6 -3
119454-01721	4	4
119462-59190	15	25
119600-11450	6	15 A
		17
	20	22 -1
		36
119600-11460	6	15 B
		18
	20	7
		28

Parts No.	Fig. No.	Ref. No.
119600-34820	11	5
119600-52021	2	26
119600-61100	16	3
	17	4
119600-61200	16	4
	17	5
119600-61540	16	20
119600-61541	16	20 -1
	17	44
119600-61900	16	29
	17	50
119600-66020	16	34
	17	62
119600-66720	16	51
	17	77
119600-66840	16	46
	17	102
119610-61200	16	10
119620-01620	3	4
119620-01800	2	4
119620-01950	2	7
119620-02450	1	12
	8	3 B
119620-11350	6	36
119620-11390	5	4
119620-21500	9	5
119620-21941	9	10
119620-25912	8	17 A
119620-42350	12	8
119620-49290	1	19
119620-51170	13	3
119620-51180	13	4
119620-51190	13	5
119620-51250	13	6
119620-51340	13	9
119620-51350	13	10
119620-51370	13	11
119620-51450	13	12
119620-51461	13	13
119620-51510	13	15
119620-51650	13	17
119620-51660	13	18
119620-51670	13	19
119620-51680	13	20
119620-51700	13	21
119620-53000	13	28
119620-53080	13	29
119620-53120	13	31
119620-53140	13	33
119620-59700	13	46

Parts No. Index

Parts No.	Fig. No.	Ref. No.
119620-77820	6	39
119621-21680	9	9
119621-66091	16	27
119623-01950	2	7 -1
119632-61200	17	14
119632-77920	18	57
119640-61400	16	38
	17	59
119640-66051	16	35
	17	63
119641-77010	18	1
119641-77011	18	1 -1
119641-77250	18	7 -1
119642-59540	13	49
119642-59550	13	54
119642-59570	13	55
119643-66900	18	53
119644-21590	9	6
119645-01600	3	2
119650-42291	12	7
119650-77910	18	54
119656-61500	16	17
119656-66910	16	36
	17	108
119660-01551	2	16
119660-01561	2	17
	20	3
119660-01562	2	17 -1
	20	3 -1
119660-01570	2	18
119660-01640	3	5
119660-01821	8	6
119660-01911	2	6
119660-25022	8	14
119660-25052	8	15
119660-32020	11	2
	20	12
119660-35150	11	6 -1
119660-51500	13	14
119660-51530	13	16
119660-61051	16	11
119660-61052	16	11 -1
	17	18
119660-61060	16	1
	17	2
119660-61070	16	2
119660-61071	16	2 -1
	17	3
119660-61121	16	7
	17	11

Parts No.	Fig. No.	Ref. No.
119660-61140	16	8
	17	12
119660-61150	16	9
	17	13
119660-61300	16	5
	17	9
119660-61341	16	6
	17	10
119660-61460	16	14
	17	19
119660-61491	16	16
	17	27
119660-61651	16	21
	17	46
119660-61901	16	26
	17	51
119810-55340	15	3
119840-61870	16	33
	17	60
119865-21600	9	7
121000-13200	7	12
	20	25
		32
121000-13201	7	12 -1
	20	25 -1
		32 -1
121023-01550	2	22
121023-44740	12	9
121024-59090	14	10 A
121111-21501	9	5 -1
121120-01620	3	9
121120-77280	18	18 -1
121120-77930	18	15
121250-55620	14	5
	15	7
121254-55510	14	2
	15	4
121400-01640	4	2
121420-01760	2	20
	5	14
	20	4
		8
		35
121450-01560	2	2 A
		5
121450-42450	12	16 -1
121450-61520	16	19
121465-59950	17	70
121520-01850	2	25
	20	16

Parts No.	Fig. No.	Ref. No.
121520-01851	2	25 -1
	20	16 -1
121520-34810	11	4
121521-77330	19	2 -1
121522-59100	14	10 A-1
	15	18
121575-66830	16	45
	17	101
121850-11860	6	2
124060-01050	1	2
124060-59380	14	21
124066-59100	13	42
		50
124085-02220	3	6
124160-01751	2	19
	5	13
124160-11360	5	11
		11 -1
124160-39450	11	12
124250-03640	16	37
	17	113
124450-35110	11	6 A
		6 A-1
	20	13
124465-44950	12	15 -1
	20	15
124550-55700	14	6
	15	8
124550-59820	13	57
124550-66370	16	44
	17	64
124766-59050	13	48
	14	12
		16
	15	17
		21
		23
124767-59080	14	14 A-1
124772-66750	16	41
128300-77920	18	52
128400-77200	19	9
129100-01580	3	1
	9	4
129100-61930	16	39
	17	61
129129-77230	18	5 -1
129129-77240	18	6 -1
129129-77260	18	2 -1
129129-77270	18	17 -1
129129-77290	18	19 -1

Parts No.	Fig. No.	Ref. No.
129129-77320	18	44 -1
129129-77340	18	49 -1
129129-77350	18	49 A
129129-77361	18	45 -1
129129-77380	18	49 C
129129-77390	18	15 -1
129129-77400	18	11 -1
129129-77410	18	14 -1
129129-77430	18	12 -1
129150-35350	11	8
129150-59120	13	36
129150-59130	13	37
129150-59131	13	37 -1
129155-51280	16	12
	17	15
129155-61480	16	15
	17	22
129155-61830	13	35
129400-92400	20	38
129407-77210	18	3 -1
129407-77220	18	4 -1
129407-77300	18	20 -1
129407-77310	18	22 -1
129407-77330	18	46 -1
129795-77800	6	38
135210-61090	16	43
	17	114
171056-59920	14	24
174307-51700	16	18
	17	29
194180-51640	14	24 -1
	15	13
194990-22050	2	8
	7	7
	16	32
	17	1
22117-040000	16	22
		24 -1
	17	47
22137-040000	13	23
22137-080000	19	8
22190-060002	14	22 -1
22190-060003	16	50 -1
	17	111
22190-080002	14	23 -1
	15	12
		30
	20	18 -1
22190-120002	16	42 -1
	17	112

Parts No. Index

Parts No.	Fig. No.	Ref. No.
22217-040000	13	24
22217-050000	5	7
22242-000100	6	25
22242-000200	8	18
22272-000040	16	25
	17	48
22351-020004	16	23
22351-030012	9	3 B
		3 B-1
		13
22351-030014	16	22 -1
		24
	17	49
22351-040010	2	2 B
		9
	16	28
	17	56
22351-060012	6	19
22360-040000	16	56
	17	103
22360-060000	16	53
	17	109
22451-060000	16	47
	17	115
22512-040120	8	5
		8
	9	3
23414-080012	13	58
	14	23
	20	18
		25 A
23414-140000	13	47
	20	19
23414-160000	12	15
23418-060000	14	8
23871-020000	6	2 -1
23871-030000	6	2 -2
	12	1 A
23887-160002	12	16
24101-062034	8	11
24102-063034	8	9
24311-000120	2	10
	5	12
	11	10
	20	20
		34
24311-000180	4	3
	20	21
24311-000320	2	20 -1
	5	14 -1

Parts No.	Fig. No.	Ref. No.
24311-000320	20	4 -1
		8 -1
		35 -1
24311-240100	15	10
	20	22
24321-000350	12	13
	20	23
24341-000070	16	31
	17	57
24341-000240	2	23 -1
	20	24 -1
24341-000260	2	23
	20	24
24341-000280	17	67
26013-060202	11	3
26013-100202	1	17
		17 -1
26014-060202	2	27
26014-060352	12	10
26014-080252	19	4
26014-080702	14	9 -1
	15	11
26022-040082	13	25
26106-060102	4	5
	16	30
	17	58
26106-060122	1	13
	8	19
	11	11
26106-060162	2	11
		28
	7	3
	8	12
26106-060182	2	24
	12	14
26106-060222	3	7
26106-060282	7	4
26106-060352	2	12
		12 -1
	7	8
26106-060402	2	13
26106-060452	4	6
26106-060502	2	14
26106-060652	2	15
26106-060702	16	54
	17	104
26106-060952	17	69
26106-080122	14	25
26106-080142	6	34
		35

Parts No.	Fig. No.	Ref. No.
26106-080182	19	5
26106-080202	19	5 -1
26106-080452	6	32
	12	6
26106-080652	14	9
26106-100122	14	25 -1
	15	14
26106-100402	19	6
		6 -2
		36
26106-100502	19	6 -1
26106-100852	3	8
26116-050102	16	55
	17	105
26116-060304	17	106
26116-100252	3	3
26116-120252	18	50
26206-100252	3	3 -1
26216-060402	7	9
26216-080222	7	10
26366-060002	2	21
	7	11
26366-080002	6	37
26450-060202	11	3 -1
26557-050102	5	8
26587-080102	8	13
26756-060002	6	28
		31
	17	110
26776-120002	16	41 -1
	17	107
27221-050080	6	3
27221-060100	1	3
27231-400000	1	4
27241-100000	1	5
27241-250000	1	6
27241-300000	1	7
27241-350000	6	4
43400-500390	14	22
43400-500400	16	50
43400-500450	16	42
714250-11570	6	9 -1
719225-51100	13	1
719230-92600	20	1
719244-92600	20	1 -1
719244-92601	20	1 -2
719244-92630	20	26
719244-92631	20	26 -1
719255-53100	13	27
719260-11521	5	1

Parts No.	Fig. No.	Ref. No.
719260-11650	6	26
719260-11660	6	29
719260-11700	6	1
719260-21700	9	1
719260-23100	10	7
719260-23600	10	10
719260-23610	10	11
719270-01560	1	1
719270-22500	10	2
719270-22501	10	2 -1
719270-22540	10	6
719270-22541	10	6 -1
719270-22820	10	5
719288-01540	4	1
719620-53100	13	27 -1
719620-53700	13	27 -2
977770-01212	2	29
	3	10
	4	7
	20	39
X0210415670	19	31
X0210450600	19	32
X0212003520	19	28
X0214005710	19	10
X0214110500	19	11
X0215015280	19	15
X0215060070	19	30
X0215511130	19	21
X0215803080	19	16
X0216051700	19	23
X0216202190	19	17
X0216600390	19	18
X0280210230	18	8
X0280620480	18	45
X0280630011	18	2
X0281003770	18	3
X0282002320	18	4
X0283005690	18	7
X0283060061	18	16
X0283270140	18	9
X0283711420	18	17
X0283715640	18	10
X0283810040	18	11
X0285011600	18	19
X0285100750	18	20
X0289030010	18	43
X0534006470	18	22
X0534040320	18	23
X0534490121	18	24
		25

Parts No. Index

Parts No.	Fig. No.	Ref. No.
X0534490230	18	26 27
X0535050620	18	28
X0535130241	18	29
X0535130320	18	30
X0536600401	18	31
X1260000600	19	20
X1284000710	18	18
X9019008651	18	41
X9025808001	18	42
X9131004251	19	25
X9151005141	18	32
X9490065200	19	12
X9490065460	19	35
X9490065470	19	34
X9490071970	18	44
X9490170900	18	33 34
X9490422570	18	46
X9490432120	19	14
X9490441303	18	35
X9490441312	18	36
X9490462040	19	33
X9490473410	19	24
X9490502820	18	37 38
X9490561001	19	27
X9490561370	18	47
X9490562480	19	26
X9490562520	19	22
X9490721080	18	12
X9491002590	18	6
X9491002760	18	5
X9491002950	19	13
X9491003670	19	29
X9491200240	18	48
X9491402100	18	39 40
X9491703371	18	13
X9491703380	18	49
X9491704260	18	14
X9491706990	19	19
X9491730461	18	21

Parts No.	Fig. No.	Ref. No.
-----------	----------	----------

Parts No.	Fig. No.	Ref. No.
-----------	----------	----------

Parts No.	Fig. No.	Ref. No.
-----------	----------	----------