

0CD10-M61201EN

PREFACE

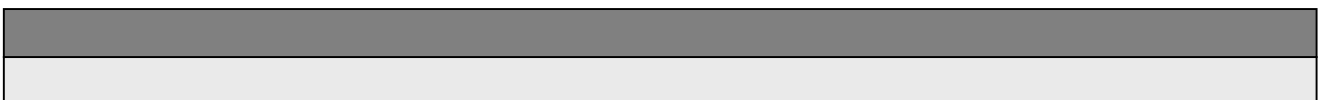
1. This Parts Catalog is the 1st edition of 3TNE84-TS,TH Diesel Engine for TOYOTA.

Pub. No. : 000Y00D6121

Published : May,1997

2. Model name

Engine model	Vehicle		Vehicle made by
	Products	Model name	
3TNE84-TS,TH		—	TOYOTA



Directions for the Parts Catalog.

1. This Parts Catalog shows both standard and optional parts.
2. Parts may change without prior notice.
3. The following is an example of the Parts Catalog format.

REF.	LEV.	PARTS NO.	DESCRIPTION	Q'TY						I	R
				(A)	(B)	(C)	(D)	(E)	(F)		
1	1	729595-51390	FUEL INJECTION PUMP	1	1	1	1	1			1
1-1	1	729595-51391	FUEL INJECTION PUMP	1	1	1	1	1		N	1
		(A=E00185) (B=E00200)									
3	2	26022-060162	SCREW M 6X 16	9	9	9	9	9			
3-1	2	26022-060162	SCREW M 6X 16	4	4	4	4	4		K	
		(A=E00156) (B=E00156) (C=E00156) (D=E00156) (E=E00156)									
4	2	129470-51040	CAMSHAFT	1	1	1	1	1			
5	2	122710-51050	BEARING, ROLLER	2	2	2	2	2			
6	2	129470-51060	RETAINER	1	1	1	1	1			

Remarks
(1) BOOST COMPEMSATOR TYPE. OPTIONAL PART, TO E00155,(4JH-DT, 4JH-DTZ

① Ref. No.

The Ref. No. listed may not be in accordance with the illustration Ref. No.

(Ex.) Illustration No.

List Ref No.

1

1

(Before change)

1-1

(After change)

For interchangeable symbols N, R and K, illustrations for new parts may be abbreviated.

② Lev. (Level)

Level indication

The numbers below indicate the level of relativity towards the main part.

1 ----- Main parts (Assembly parts)

2 ----- Sub component included in " 1 ".

3 ----- Sub component included in " 2 ".

Note) Parts that are not for sale are partially illustrated but not listed.

③ Interchangeability Symbol

When a part change takes place, one of the following interchangeability symbols is indicated beside the part.

Symbol	Interchangeability	Contents note
N	Old $\begin{matrix} \leftarrow \text{Yes} \\ \text{No} \rightarrow \end{matrix}$ New	New Part is interchangeable for Old Part but Old Part is not interchangeable for New Part.
Q	Old $\begin{matrix} \leftarrow \text{No} \\ \text{Yes} \rightarrow \end{matrix}$ New	New Part is not interchangeable for Old Part but Old Part is interchangeable for New Part.
R	Old $\begin{matrix} \leftarrow \text{Yes} \\ \text{Yes} \rightarrow \end{matrix}$ New	New/ Old Parts are both interchangeable.
S	Old $\begin{matrix} \leftarrow \text{No} \\ \text{No} \rightarrow \end{matrix}$ New	New/ Old Parts are both not interchangeable.
W		Part newly added.
Z		Part discontinued.
F		Not interchangeable by a single part but interchangeable together with related parts.
K		Changes only for used parts quantities.

④ Effective Machine No.

When a part changes, the effective Machine No. will be indicated in the (A)-(F) column.

Product Symbol	Product No.	Product Symbol	Product No.
C	Clutch No. Compressor No.	F	Machine No. (Agricultural Equip.)
D	Drive No.	M	Machine No.
E	Engine No.		

Note 1) A date may follow the symbol. (Ex.) 1996.01

Note 2) "XXXXX" and "ZZZZZ" are for parts that could not be predicted or for engine models that could not be identified.

Note 3) (A=E00185) is the E (Engine Serial Number) for the column (A) model (in this case 4JH-DT) after the parts design change.

⑤ Remarks

Figures or alphabets (symbols) are entered in the remarks column.

The comments (remarks) on parts that are indicated at the bottom of the illustration are the same symbols as those stated above.

Contents

Fig. No. Fig. Name

Fig. No. Fig. Name

3TNE84-TS,TH

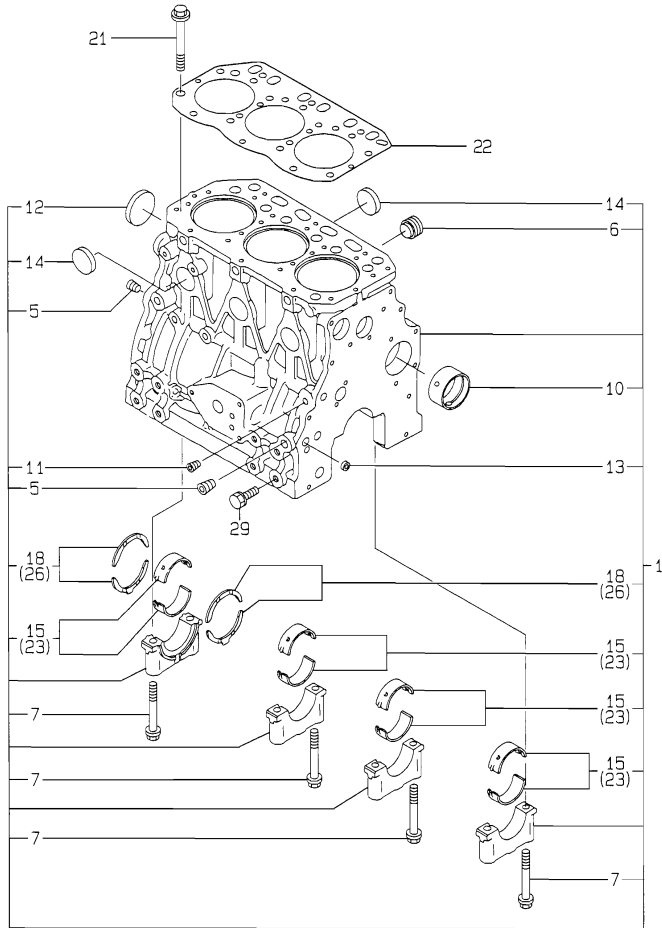
1. CYLINDER BLOCK
2. GEAR HOUSING
3. MOUNTINGFLANGE & OIL SUMP
4. CYLINDER HEAD & BONNET
5. SUCTION MANIFOLD
6. EXHAUST MANIFOLD
7. CAMSHAFT & DRIVING GEAR
8. CRANKSHAFT & PISTON
9. LUB.OIL SYSTEM
10. COOLING WATER SYSTEM
11. FUEL INJECTION PUMP
12. GOVERNOR
13. FUEL INJECTION VALVE
14. FUEL LINE
15. STARTING MOTOR
16. GENERATOR
17. GASKET SET

Fig.1. CYLINDER BLOCK

(A)=3TNE84-TS
(B)=3TNE84-TH
(C)=

(D)=
(E)=
(F)=

Y0006121
3TNE84-TS, TH



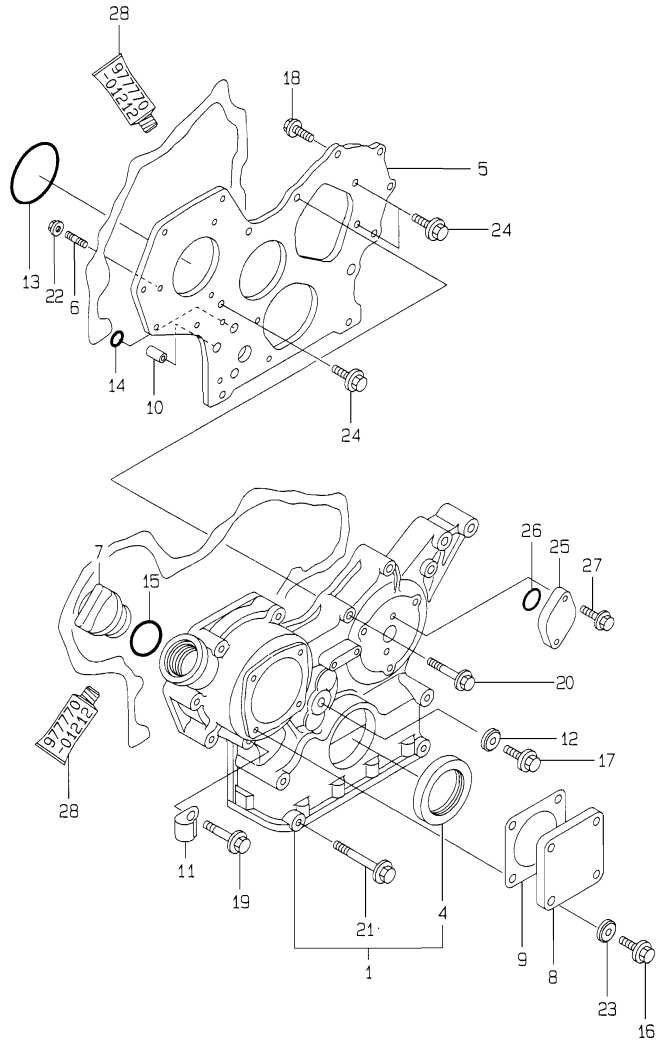
No.	Lev.	Parts No.	Description	Q'ty						I	R
				(A)	(B)	(C)	(D)	(E)	(F)		
1	1	729002-01560	BLOCK ASSY, CYLINDER	1	1						
5	2	124160-01910	PLUG, PT1/4	3	3						
6	2	171051-01921	PLUG, NPTF1	1	1						
7	2	129150-02020	BOLT, METAL CAP	8	8						
10	2	129795-02411	BUSH, CAMSHAFT	1	1						
11	2	23871-010000	PLUG, R01	1	1						
12	2	27231-500000	PLUG 50	1	1						
13	2	27241-120000	PLUG, 12	2	2						
14	2	27241-300000	PLUG 30	6	6						
15	2	129001-02800	BEARING, MAIN	4	4						
18	2	129150-02930	BEARING, THRUST	2	2						
21	1	129150-01200	BOLT, HEAD	14	14						
22	1	129002-01331	GASKET, HEAD	1	1						
23	1	129150-02870	BEARING, 0.25 US	4	4						1
26	1	129150-02940	BEARING, THRUST 0.25	2	2						2
29	1	26013-100252	BOLT, M10X 25	8	8						

Remarks

- (1) UNDER-SIZE(U.S=0.25)PART.
- (2) OVER-SIZE(O.S=0.25)PART.

Fig.2. GEAR HOUSING

Y0006121
3TNE84-TS, TH



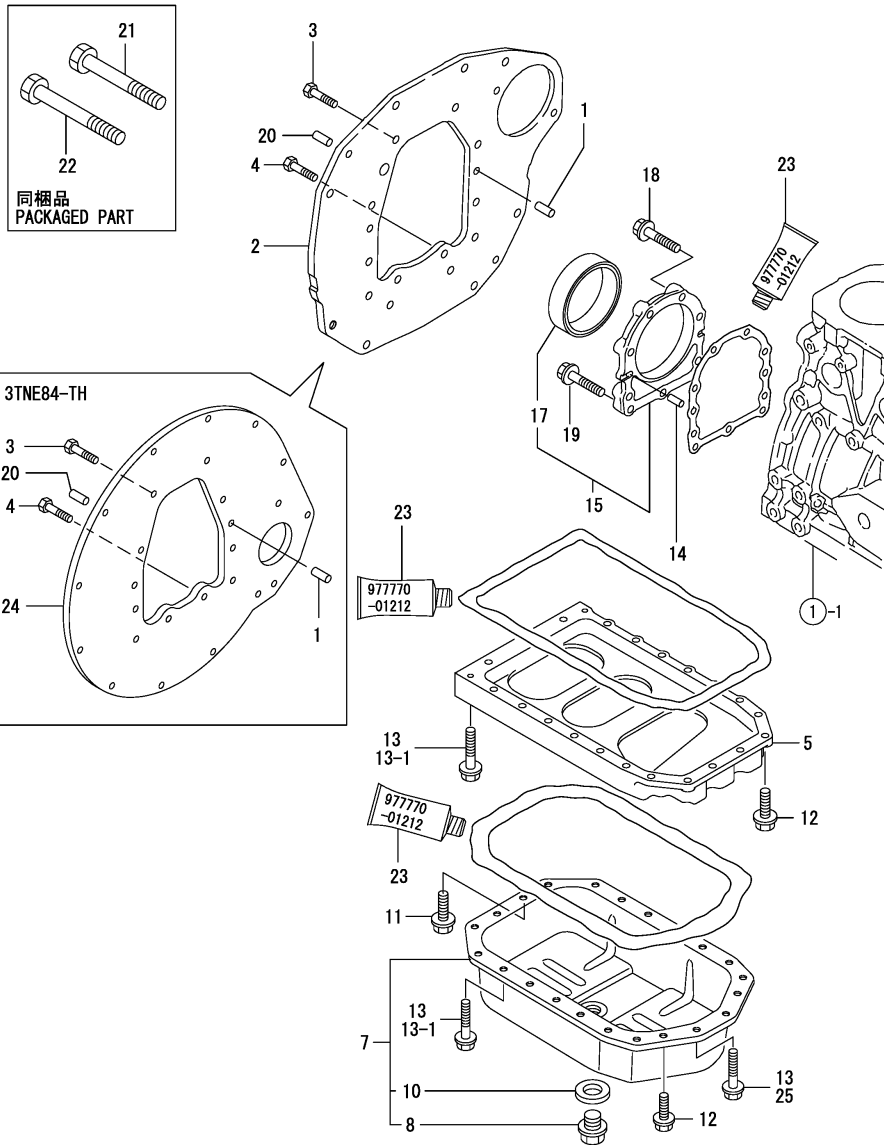
(A)=3TNE84-TS
(B)=3TNE84-TH
(C)=

(D)=
(E)=
(F)=

No.	Lev.	Parts No.	Description	Q'ty						I	R
				(A)	(B)	(C)	(D)	(E)	(F)		
1	1	719810-01500	CASE ASSY, GEAR	1	1						
4	2	129795-01800	SEAL, OIL	1	1						
5	1	129400-01520	FLANGE, GEAR CASE	1	1						
6	1	121450-01560	STUD, M8X22	3	3						
7	1	124160-01751	COVER, FILLER	1	1						
8	1	124240-01871	COVER	1	1						
9	1	124240-01883	GASKET	1	1						
10	1	129795-01950	PIPE, KNOCK L=18	2	2						
11	1	129150-03100	RETAINER, PIPE	1	1						
12	1	22190-080002	WASHER, SEAL 6	1	1						
13	1	121850-51960	O-RING	1	1						
14	1	24311-000160	O-RING, 1AP16.0	2	2						
15	1	24311-000320	O-RING, 1AP32.0	1	1						
16	1	26106-080122	BOLT, M8X 12 PLATED	4	4						
17	1	26106-080162	BOLT, M8X 16 PLATED	1	1						
18	1	26106-080202	BOLT, M8X 20 PLATED	2	2						
19	1	26106-080452	BOLT, M8X 45 PLATED	6	6						
20	1	26106-080552	BOLT, M8X 55 PLATED	3	3						
21	1	26106-080852	BOLT, M8X 85 PLATED	4	4						
22	1	26366-080002	NUT, M8	3	3						
23	1	22190-080002	WASHER, SEAL 6	4	4						
24	1	26106-080162	BOLT, M8X 16 PLATED	3	3						
25	1	121023-01550	COVER	1	1						
26	1	24341-000240	O-RING, 1AS24.0	1	1						
27	1	26106-060122	BOLT, M6X 12 PLATED	2	2						
28	1	977770-01212	GASKET, LIQUID	1	1						1

Remarks
(1) OPTIONAL PART.

Fig.3. MOUNTINGFLANGE & OIL SUMP



(A)=3TNE84-TS
(B)=3TNE84-TH
(C)=

(D)=
(E)=
(F)=

No.	Lev.	Parts No.	Description	Q'ty						I	R
				(A)	(B)	(C)	(D)	(E)	(F)		
1	1	129100-01580	PIN, M8X16	2	2						
2	1	129150-01600	FLANGE, MOUNTING	1							
3	1	26206-100202	BOLT, M10X 20 PLATED	6	6						
4	1	26206-100252	BOLT, M10X 25 PLATED	4	4						
5	1	129100-01730	SPACER, OIL SUMP	1	1						
7	1	729102-01540	SUMP ASSY, OIL	1	1						
8	2	119640-01640	PLUG, DRAIN M22	1	1						
10	2	22190-220002	WASHER, SEAL 22	1	1						
11	1	26106-080162	BOLT, M8X 16 PLATED	4	4						
12	1	26106-080252	BOLT, M8X 25 PLATED	2	2						
13	1	26106-080452	BOLT, M8X 45 PLATED	20	20						
13-1	1	26106-080452	BOLT, M8X 45 PLATED	16	16						K
(A=FROM 1ST) (B=FROM 1ST)											
14	1	129100-01580	PIN, M8X16	2	2						
15	1	129100-01640	CASE ASSY, OIL SEAL	1	1						
17	2	129795-01780	SEAL, OIL	1	1						
18	1	129486-01670	BOLT, M8X30	6	6						
19	1	26106-080352	BOLT, M8X 35 PLATED	3	3						
20	1	22312-080250	PIN, PARALLEL M8X25	2	2						
21	1	26116-120902	BOLT, M12X 90 PLATED	4	4						
22	1	26116-121002	BOLT, M12X100 PLATED	2	2						
23	1	977770-01212	GASKET, LIQUID	1	1						1
24	1	129189-01600	FLANGE, MOUNTING		1						
25	1	26106-080502	BOLT, M8X 50 PLATED	4	4						W
(A=FROM 1ST) (B=FROM 1ST)											

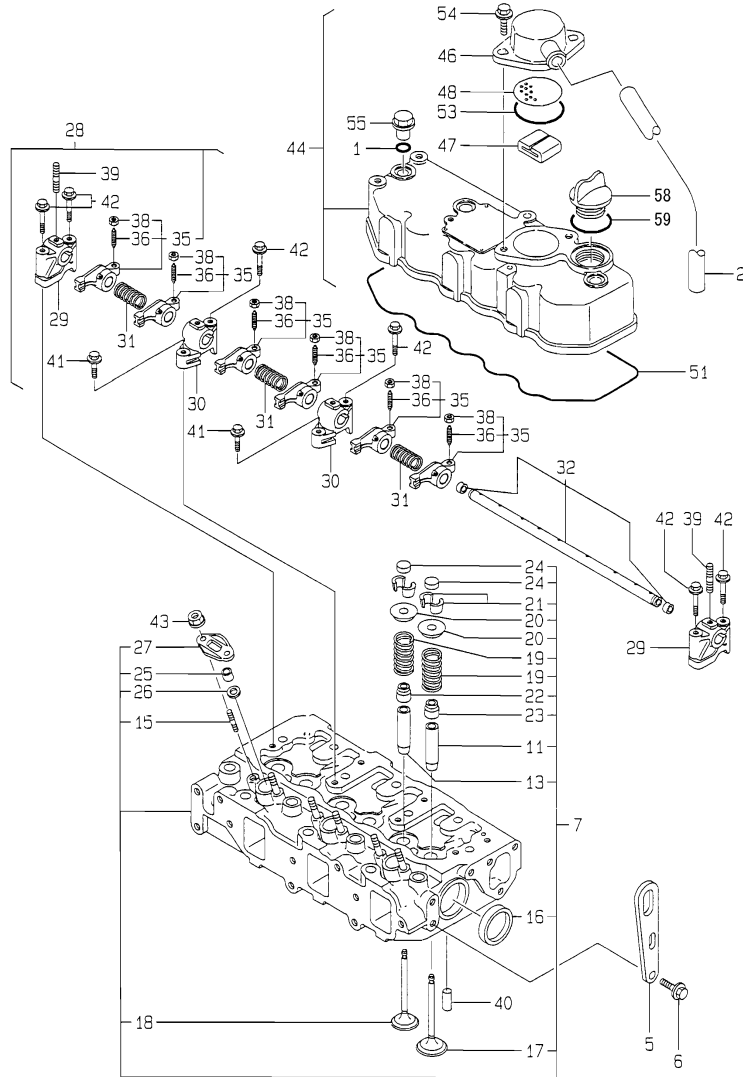
Remarks
(1) OPTIONAL PART.

Fig.4. CYLINDER HEAD & BONNET

(A)=3TNE84-TS
(B)=3TNE84-TH
(C)=

(D)=
(E)=
(F)=

Y00D6121
3TNE84-TS, TH

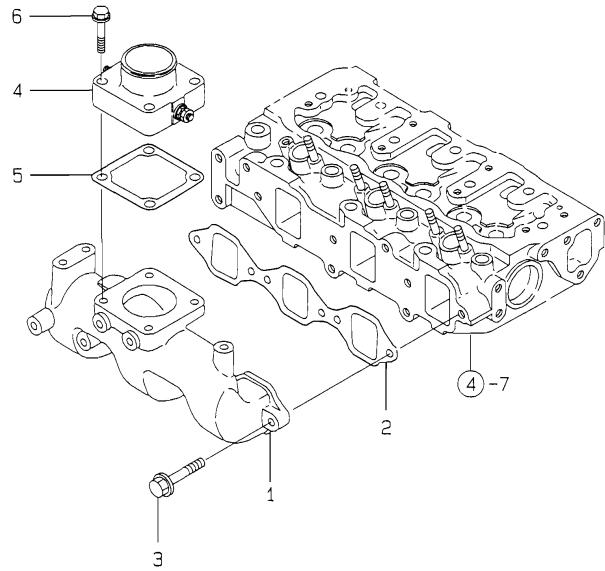


No.	Lev.	Parts No.	Description	Q'ty						I	R
				(A)	(B)	(C)	(D)	(E)	(F)		
1	1	24311-000120	O-RING, 1AP12.0	3	3						
2	1	129150-03090	HOSE, ID16X2T	1	1						
5	1	124736-07900	LIFTER	2	2						
6	1	26106-080142	BOLT, M8X 14 PLATED	4	4						
7	1	129001-11700	HEAD ASSY, CYLINDER	1	1						
11	2	120130-11860	GUIDE, VALVE	3	3						1
13	2	129150-11810	GUIDE, VALVE	3	3						1
15	2	26216-060202	STUD, M6X 20	6	6						
16	2	27241-400000	PLUG, 40	2	2						
17	2	129100-11100	VALVE, INTAKE	3	3						
18	2	129100-11110	VALVE, EXHAUST	3	3						
19	2	129795-11120	SPRING, VALVE	6	6						
20	2	129795-11180	RETAINER, SPRING	6	6						
21	2	27310-080000	COTTER 8	6	6						
22	2	121400-11340	SEAL, VALVE STEM	3	3						
23	2	124460-11340	SEAL, VALVE STEM	3	3						
24	2	129150-11370	CAP, VALVE	6	6						
25	2	119625-11871	PROTECTOR, NOZZLE	3	3						
26	2	119625-11880	SEAT, NOZZLE	3	3						
27	2	119625-11900	RETAINER, NOZZLE	3	3						
28	1	129155-11241	SHAFT ASSY, ROCKER	1	1						
29	2	129155-11260	SUPPORT, ROCKER ARM	2	2						
30	2	129155-11270	SUPPORT, ROCKER ARM	2	2						
31	2	129150-11280	SPRING	3	3						
32	2	129150-11290	SHAFT, ROCKER ARM	1	1						
35	2	729402-11650	ARM ASSY, ROCKER	6	6						
36	3	129150-11230	SCREW, VALVE ADJUST	6	6						
38	3	129150-11750	NUT, M8	6	6						
39	2	26226-080182	STUD, M8X 18	3	3						
40	1	22351-060012	PIN, SPRING 6.0X12	2	2						
41	1	26106-080252	BOLT, M8X 25 PLATED	2	2						
42	1	26106-080502	BOLT, M8X 50 PLATED	6	6						
43	1	26366-060002	NUT, M6	6	6						
44	1	129100-11350	BONNET ASSY, HEAD	1	1						
46	2	129150-03020	COVER, BREATHER	1	1						
47	2	129150-03070	BAFFLE, BREATHER	1	1						
48	2	129150-03080	PLATE, BAFFLE	1	1						
51	2	129150-11310	GASKET, BONNET	1	1						
53	2	24341-000500	O-RING, 1AS50.0	1	1						
54	2	26106-080162	BOLT, M8X 16 PLATED	2	2						
55	1	124160-11360	KNOB	3	3						
58	1	124160-01751	COVER, FILLER	1	1						
59	1	24311-000320	O-RING, 1AP32.0	1	1						

Remarks
(1) REPAIR PART.

Fig.5. SUCTION MANIFOLD

Y00D6121
3TNE84-TS, TH



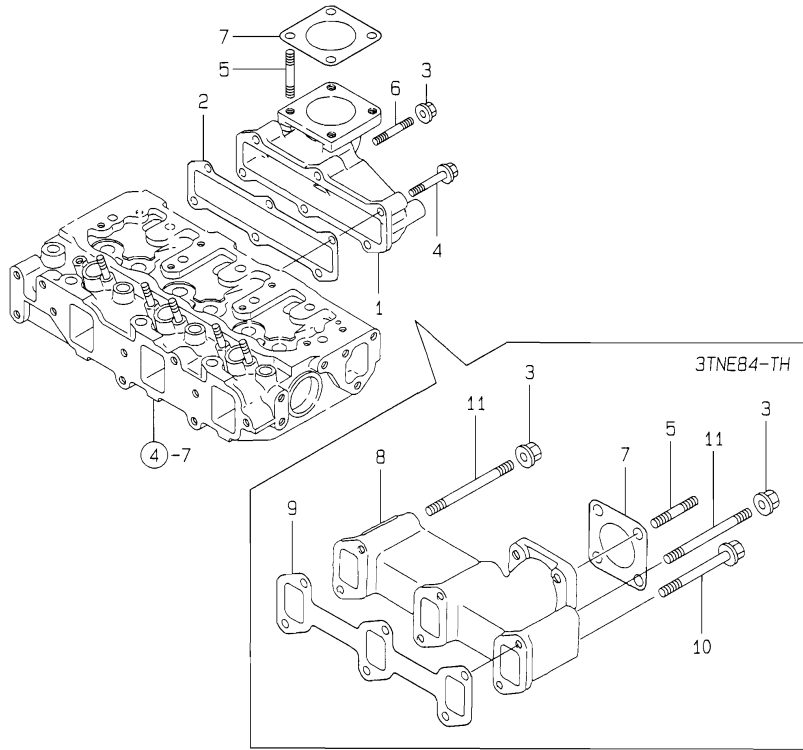
(A)=3TNE84-TS
(B)=3TNE84-TH
(C)=

(D)=
(E)=
(F)=

No.	Lev.	Parts No.	Description	Q'ty						I	R
				(A)	(B)	(C)	(D)	(E)	(F)		
1	1	129150-12100	MANIFOLD, AIR INTAKE	1	1						
2	1	129150-12111	GASKET, MANIFOLD	1	1						
3	1	26106-080252	BOLT, M8X 25 PLATED	4	4						
4	1	129120-77501	HEATER	1	1						
5	1	129150-77511	GASKET	1	1						
6	1	26106-080352	BOLT, M8X 35 PLATED	4	4						

Fig.6. EXHAUST MANIFOLD

Y00D6121
3TNE84-TS, TH



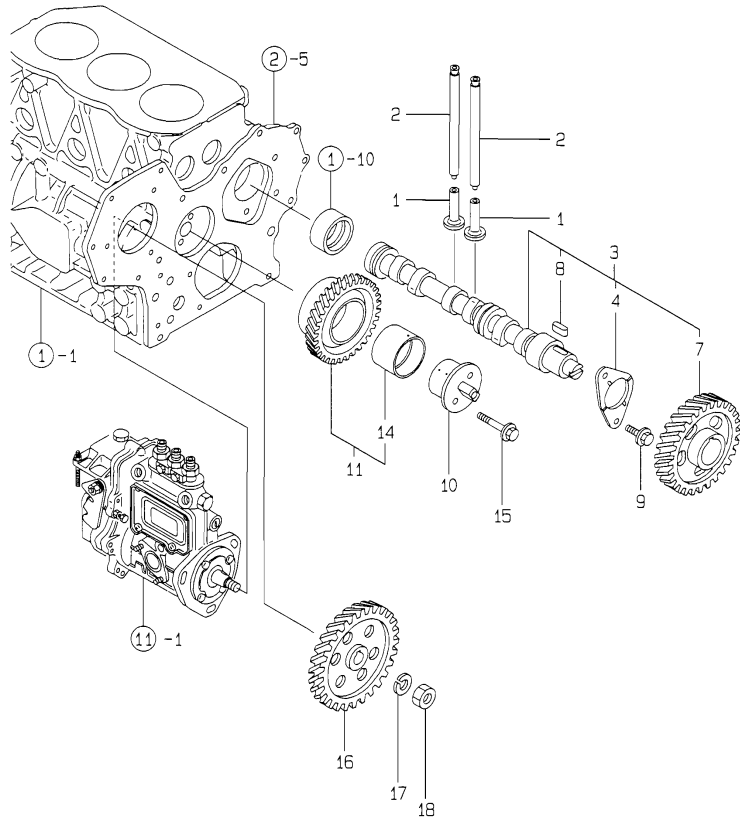
(A)=3TNE84-TS
(B)=3TNE84-TH
(C)=

(D)=
(E)=
(F)=

No.	Lev.	Parts No.	Description	Q'ty						I	R
				(A)	(B)	(C)	(D)	(E)	(F)		
1	1	129001-13100	MANIFOLD, EXHAUST	1							
2	1	129001-13110	GASKET	1							
3	1	194990-22050	NUT, M8	2	2						
4	1	26106-080402	BOLT, M8X 40 PLATED	4							
5	1	26216-080222	STUD, M8X 22	4	4						
6	1	26216-080402	STUD, M8X 40	2							
7	1	124701-11911	GASKET, SILENCER	1	1						
8	1	129100-13110	MANIFOLD, EXHAUST		1						
9	1	129150-13110	GASKET		1						
10	1	26106-080802	BOLT, M8X 80 PLATED		4						
11	1	26216-080802	STUD, M8X 80		2						

Fig.7. CAMSHAFT & DRIVING GEAR

Y0006121
3TNE84-TS, TH



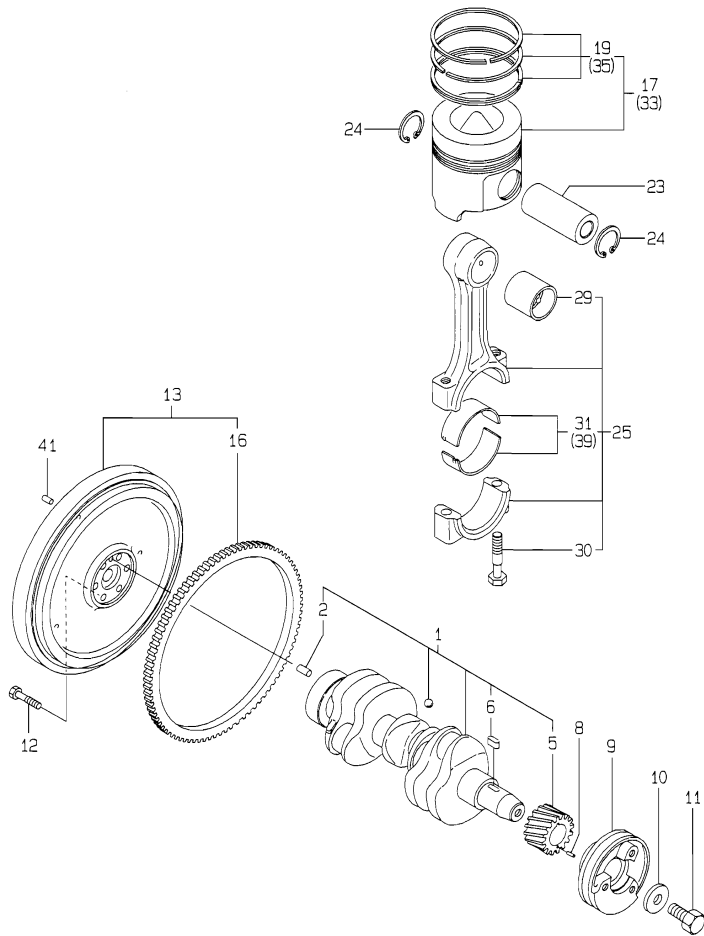
(A)=3TNE84-TS
(B)=3TNE84-TH
(C)=
(D)=
(E)=
(F)=

No.	Lev.	Parts No.	Description	Q'ty						I	R
				(A)	(B)	(C)	(D)	(E)	(F)		
1	1	129150-14200	TAPPET	6	6						
2	1	129150-14400	ROD, PUSH L=178	6	6						
3	1	129129-14580	CAMSHAFT ASSY	1	1						
4	2	129150-02450	BEARING, THRUST	1	1						
7	2	129150-14101	GEAR, CAMSHAFT	1	1						
8	2	22512-070140	KEY, 7X 14	1	1						
9	1	26106-080142	BOLT, M8X 14 PLATED	2	2						
10	1	129100-25061	SHAFT, IDLE	1	1						
11	1	129150-25101	GEAR ASSY, IDLE	1	1						
14	2	129150-25920	BUSH, IDLE GEAR	1	1						1
15	1	26106-080452	BOLT, M8X 45 PLATED	2	2						
16	1	129150-25900	GEAR, PUMP	1	1						
17	1	22217-120000	WASHER, SPRING 12	1	1						
18	1	26716-120002	NUT, M12	1	1						

Remarks
(1) REPAIR PART.

Fig.8. CRANKSHAFT & PISTON

Y00D6121
3TNE84-TS, TH



(A)=3TNE84-TS
(B)=3TNE84-TH
(C)=

(D)=
(E)=
(F)=

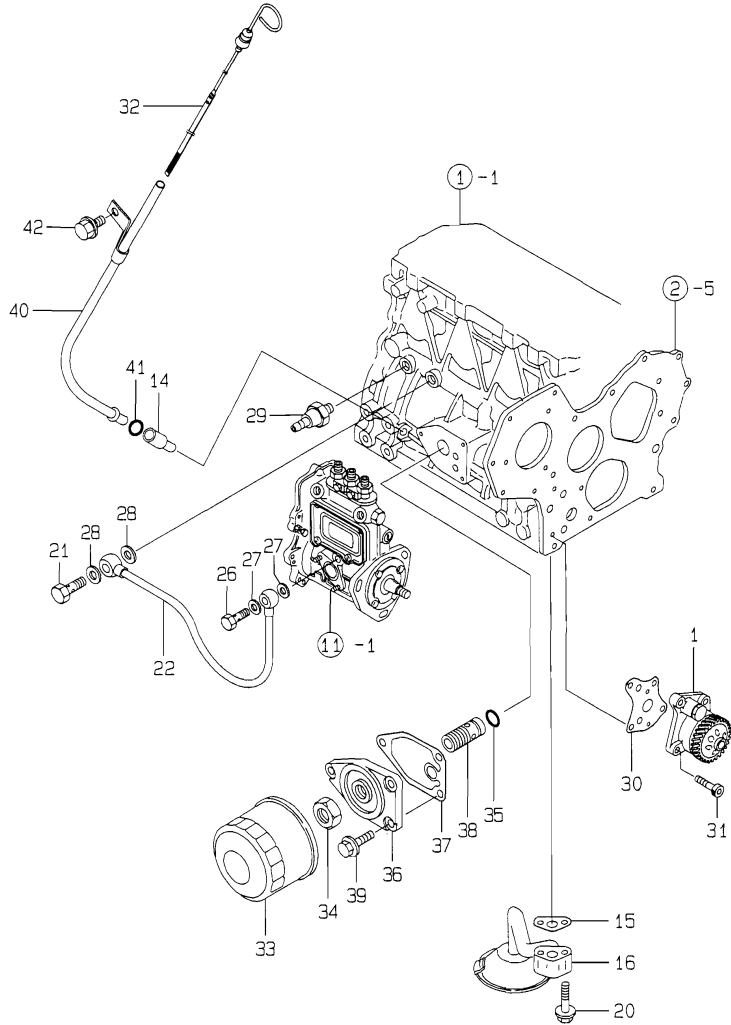
No.	Lev.	Parts No.	Description	Q'ty						I	R
				(A)	(B)	(C)	(D)	(E)	(F)		
1	1	129001-21000	CRANKSHAFT ASSY	1	1						
2	2	129100-01580	PIN, M8X16	1	1						
5	2	129150-21200	GEAR, CRANKSHAFT	1	1						
6	2	22512-070140	KEY, 7X 14	1	1						
8	1	22351-040010	PIN, SPRING 4.0X10	1	1						
9	1	171340-21650	V-PULLEY	1	1						
10	1	129795-21661	WASHER	1	1						
11	1	121850-21680	BOLT	1	1						
12	1	121111-21501	BOLT, FLYWHEEL	6	6						
13	1	129114-21580	FLYWHEEL ASSY	1	1						
16	2	124550-21600	GEAR, RING	1	1						
17	1	129002-22081	PISTON ASSY	3	3						
19	2	129002-22500	RING SET, PISTON	3	3						
23	1	129202-22300	PIN, PISTON D26 L70	3	3						
24	1	22252-000260	RING, 26	6	6						
25	1	729402-23100	ROD ASSY, CONNECTING	3	3						
29	2	129100-23910	BEARING, PISTON PIN	3	3						1
30	2	121550-23200	BOLT, CONNECTING ROD	6	6						
31	2	129150-23600	BEARING, CRANK PIN	3	3						
33	1	129002-22901	PISTON ASSY, 0.25 OS	3	3						2
35	2	129002-22950	RING SET, 0.25 OS	3	3						2
39	1	129150-23610	BEARING, 0.25 US	3	3						3
41	1	22312-080160	PIN, PARALLEL M8X16	3	3						

Remarks

- (1) REPAIR PART.
- (2) OVER-SIZE(O.S=0.25)PART.
- (3) UNDER-SIZE(U.S=0.25)PART.

Fig.9. LUB.OIL SYSTEM

Y00D6121
3TNE84-TS, TH



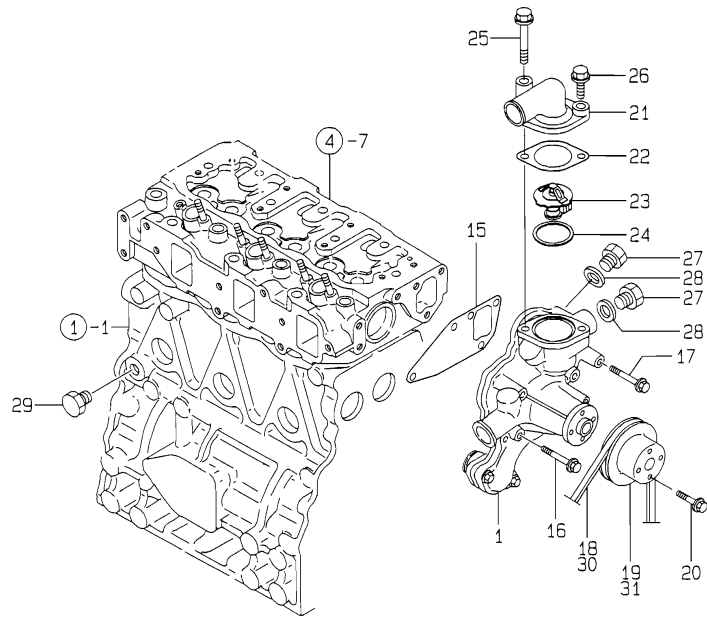
(A)=3TNE84-TS
(B)=3TNE84-TH
(C)=

(D)=
(E)=
(F)=

No.	Lev.	Parts No.	Description	Q'ty						I	R
				(A)	(B)	(C)	(D)	(E)	(F)		
1	1	129001-32001	PUMP ASSY, OIL	1	1						
14	1	119260-34810	GUIDE, DIPSTICK	1	1						
15	1	129150-35041	GASKET	1	1						
16	1	129150-35091	PIPE ASSY, OIL INLET	1	1						
20	1	26106-080352	BOLT, M8X 35 PLATED	2	2						
21	1	124160-39140	BOLT, PIPE JOINT M10	1	1						
22	1	129150-39450	PIPE ASSY, OIL	1	1						
26	1	124550-59820	BOLT, PIPE JOINT M8	1	1						
27	1	23414-080000	GASKET, 8X1.0	2	2						
28	1	23414-100000	GASKET, 10X1.0	2	2						
29	1	124160-39450	SWITCH, 0.5KG	1	1						
30	1	129150-32020	GASKET, PUMP	1	1						
31	1	26450-060252	BOLT, M6X 25	4	4						
32	1	129114-34820	DIPSTICK, OIL	1	1						
33	1	129150-35151	FILTER, D80XL80	1	1						
34	1	129150-35350	NUT	1	1						
35	1	24311-000160	O-RING, 1AP16.0	1	1						
36	1	129150-35101	BRACKET, STRAINER	1	1						
37	1	129150-35111	GASKET	1	1						
38	1	129001-35300	BOLT, FILTER	1	1						
39	1	26106-080202	BOLT, M8X 20 PLATED	3	3						
40	1	129114-34810	GUIDE, DIPSTICK	1	1						
41	1	24311-240100	O-RING, 1AP10A	1	1						
42	1	26106-080162	BOLT, M8X 16 PLATED	1	1						

Fig.10. COOLING WATER SYSTEM

Y00D6121
3TNE84-TS, TH



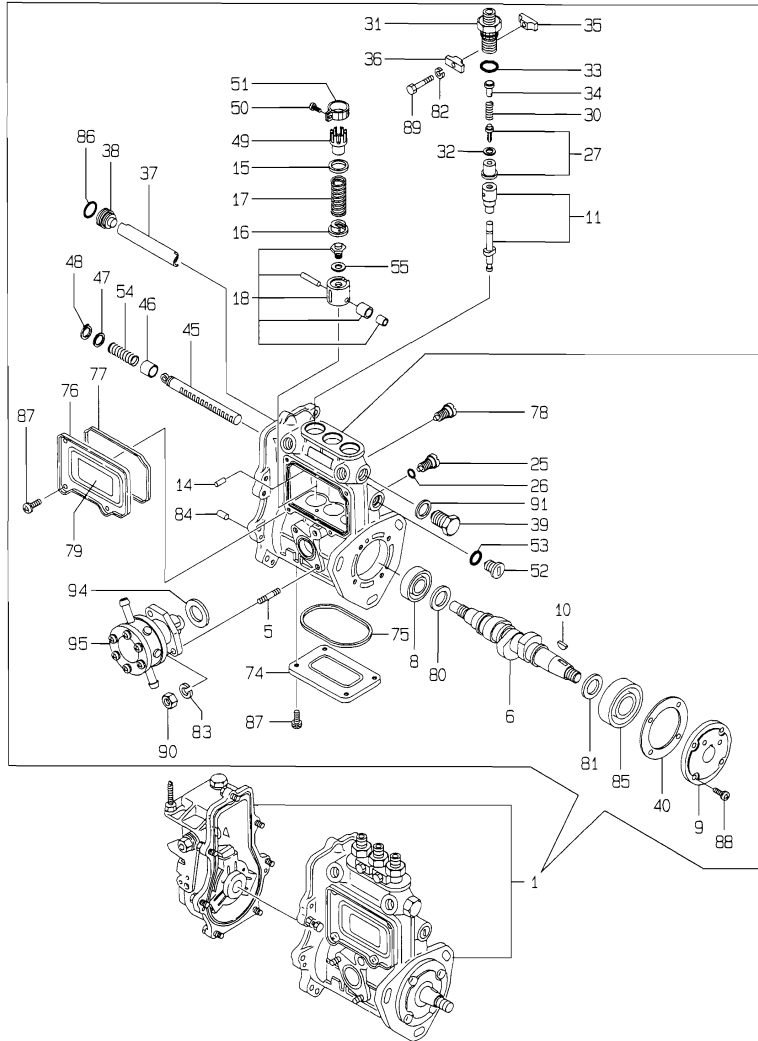
(A)=3TNE84-TS
(B)=3TNE84-TH
(C)=

(D)=
(E)=
(F)=

No.	Lev.	Parts No.	Description	Q'ty						I	R
				(A)	(B)	(C)	(D)	(E)	(F)		
1	1	129150-42001	PUMP ASSY, WATER	1	1						
15	1	129150-42020	GASKET, WATER PUMP	1	1						
16	1	26106-080552	BOLT, M8X 55 PLATED	3	3						
17	1	26106-080602	BOLT, M8X 60 PLATED	1	1						
18	1	25132-004200	V-BELT, A42	1	1						
19	1	129120-42350	V-PULLEY, 130	1							
20	1	26014-060252	BOLT, M6X 25	4	4						
21	1	124101-49530	COVER, THERMOSTAT	1	1						
22	1	129795-49551	GASKET	1	1						
23	1	129574-49800	THERMOSTAT, 82	1	1						
24	1	129150-49811	GASKET, THERMOSTAT	1	1						
25	1	26106-080652	BOLT, M8X 65 PLATED	1	1						
26	1	26106-080252	BOLT, M8X 25 PLATED	1	1						
27	1	121450-42450	PLUG, M16	2	2						
28	1	124465-44950	GASKET, 16	2	2						
29	1	171056-49120	PLUG, DRAIN	1	1						
30	1	129550-42350	V-PULLEY, D=120		1						

Fig.11. FUEL INJECTION PUMP

Y0006121
3TNE84-TS, TH



(A)=3TNE84-TS
(B)=3TNE84-TH
(C)=

(D)=
(E)=
(F)=

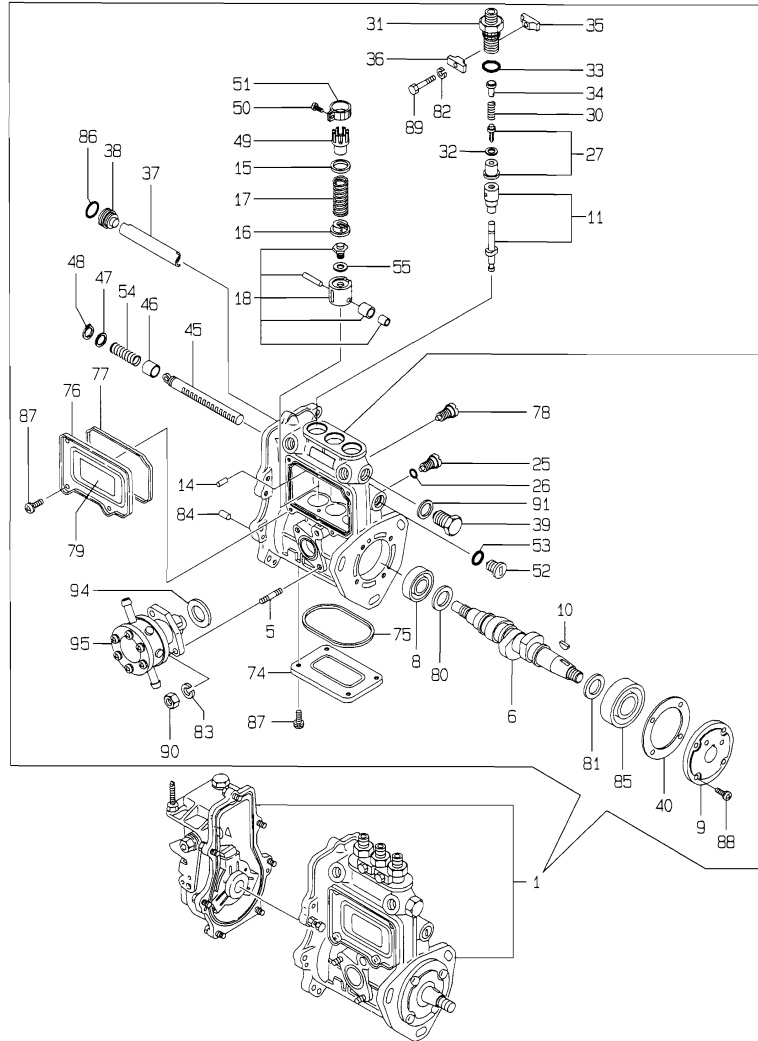
No.	Lev.	Parts No.	Description	Q'ty						I	R
				(A)	(B)	(C)	(D)	(E)	(F)		
1	1	729216-51390	PUMP ASSY, INJECTION	1	1						1
5	2	129155-51020	STUD	2	2						
6	2	119810-51040	CAMSHAFT	1	1						
8	2	129155-51050	BEARING, 17BM001D	1	1						
9	2	129155-51060	SUPPORT, CAMSHAFT	1	1						
10	2	122710-51090	KEY	1	1						
11	2	129506-51100	PLUNGER ASSY	3	3						
14	2	129155-51140	PIN	3	3						
15	2	174307-51170	RETAINER, SPRING A	3	3						
16	2	129155-51180	RETAINER, SPRING	3	3						
17	2	124950-51190	SPRING, PLUNGER	3	3						
18	2	129155-51200	TAPPET ASSY	3	3						
25	2	129155-51270	STOPPER, TAPPET	3	3						
26	2	129155-51280	O-RING, S6	3	3						
27	2	129505-51300	VALVE ASSY, DELIVERY	3	3						
30	2	129155-51320	SPRING, DELIVERY	3	3						
31	2	129155-51340	RETAINER	3	3						
32	2	124550-51350	GASKET, DELIVERY	3	3						
33	2	124550-51370	O-RING	3	3						
34	2	129155-51370	STOPPER, VALVE	3	3						
35	2	129155-51380	STOPPER	2	2						
36	2	129155-51390	STOPPER	2	2						
37	2	129155-51400	DEFLECTOR	1	1						
38	2	129155-51410	BOLT	1	1						
39	2	129155-51420	PLUG, M16	1	1						
40	2	129155-51450	SHIM SET, ADJUSTING	1	1						
45	2	129155-51500	RACK, CONTROL	1	1						
46	2	129155-51521	BUSH, RACK	1	1						
47	2	129155-51530	SPACER	1	1						
48	2	129155-51540	CIRCLIP	1	1						
49	2	129155-51550	PINION, CONTROL	3	3						
50	2	122117-51560	SCREW	3	3						
51	2	174307-51560	PINION	3	3						
52	2	129155-51570	PLUG, M12	1	1						
53	2	129155-51580	O-RING	1	1						
54	2	129155-51591	SPRING, RACK	1	1						
55	2	129155-51600	SHIM SET, ADJUSTING	3	3						
74	2	129155-51700	COVER	1	1						
75	2	129155-51710	GASKET	1	1						
76	2	129155-51750	COVER	1	1						
77	2	129155-51760	GASKET	1	1						
78	2	129155-51790	STOOPER, RACK	1	1						
79	2	129156-51910	LABEL, CAUTION	1	1						
80	2	129155-51930	SPACER, T=3.25	1	1						
81	2	129155-51940	SPACER, T=1.5	1	1						
82	2	22217-050000	WASHER, SPRING 5	2	2						
83	2	22217-060000	WASHER, SPRING 6	2	2						
84	2	22351-050010	PIN, SPRING 5.0X10	2	2						
85	2	24101-063034	BEARING, BALL 6303	1	1						
86	2	24341-000160	O-RING, 1AS16.0	1	1						
87	2	26022-050102	SCREW, M5X10	8	8						

Remarks

(1) GOVERNOR ASSY(FIG.12) IS INCORPORATED IN THIS FOP.CMP (REF.NO.1).

Fig.11. FUEL INJECTION PUMP

Y0006121
3TNE84-TS, TH



(A)=3TNE84-TS
(B)=3TNE84-TH
(C)=

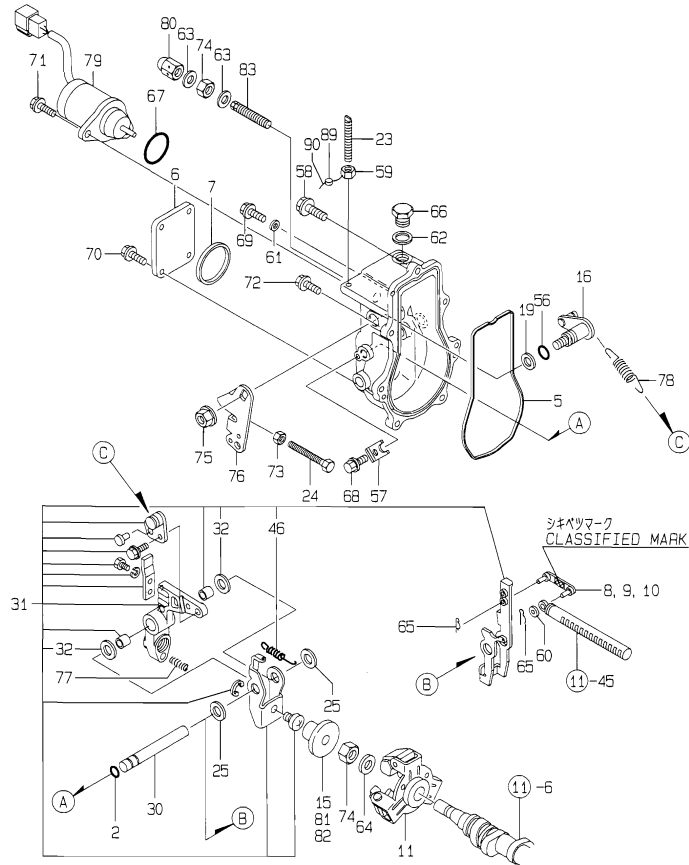
(D)=
(E)=
(F)=

No.	Lev.	Parts No.	Description	Q'ty						I	R
				(A)	(B)	(C)	(D)	(E)	(F)		
88	2	26022-060162	SCREW, M6X16	4	4						
89	2	26116-050302	BOLT, M5X 30 PLATED	2	2						
90	2	26716-060002	NUT, M6	2	2						
91	2	22190-160002	WASHER, SEAL 16	1	1						
94	2	129155-52050	GASKET	1	1						
95	2	129100-52100	PUMP ASSY, FUEL FEED	1	1						

Remarks
(1) GOVERNOR ASSY(FIG.12) IS
INCORPORATED IN THIS FOP.CMP
(REF.NO.1).

Fig.12. GOVERNOR

Y00D6121
3TNE84-TS, TH



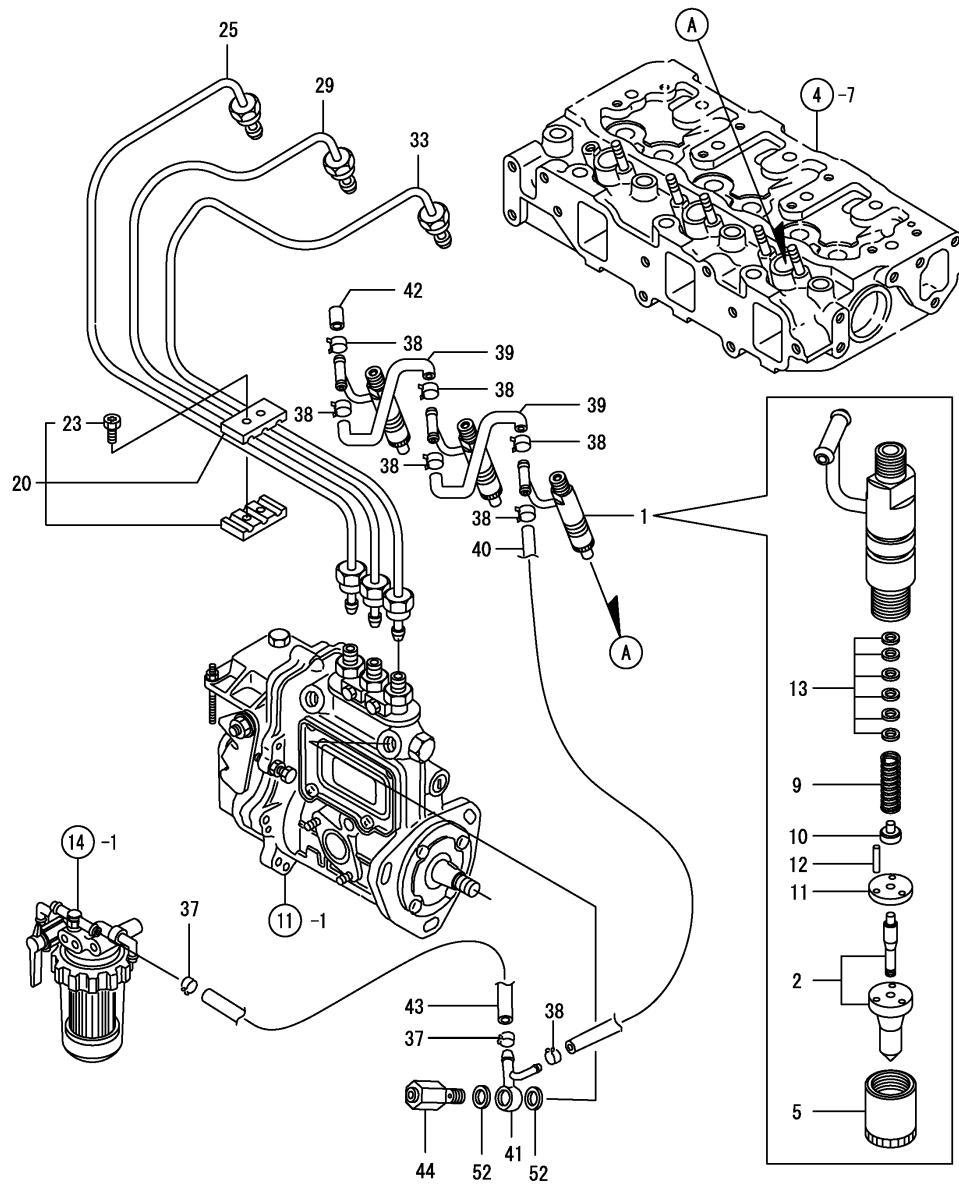
Remarks
 (1) SELECTIVE PARTS;CERTAIN THE CLASSIFICATION MARK, THEN PLACE YOUR ORDER. (REF.TO.ILLUSTRATION).
 (2) SELECTIVE PART.
 * THIS FIGURE(GOVERNOR ASSY)IS INCORPORATED IN THE FUEL INJECTION PUMP ASSY(FIG.11).

(A)=3TNE84-TS
 (B)=3TNE84-TH
 (C)=

(D)=
 (E)=
 (F)=

No.	Lev.	Parts No.	Description	Q'ty						I	R
				(A)	(B)	(C)	(D)	(E)	(F)		
2	2	129155-51280	O-RING, S6	1	1						
5	2	129052-61050	GASKET	1	1						
6	2	129052-61060	COVER, GOVERNOR CASE	1	1						
7	2	129052-61070	GASKET	1	1						
8	2	129155-61120	LINK, L=30 MARK 0	1	1						1
9	2	129155-61130	LINK, L=31 MARK 1	1	1						1
10	2	129155-61140	LINK, L=30.5 MARK 05	1	1						1
11	2	129155-61201	WEIGHT ASSY,GOVERNOR	1	1						
15	2	129155-61341	SLEEVE	1	1						2
16	2	129100-61400	SHAFT ASSY	1	1						
19	2	129155-61430	SPACER	1	1						
23	2	129155-61450	BOLT, LIMITER	1	1						
24	2	129155-61460	BOLT, IDLE	1	1						
25	2	129155-61480	SPACER ASSY	2	2						
30	2	129052-61390	SHAFT	1	1						
31	2	129052-61500	LEVER ASSY, GOVERNOR	1	1						
32	3	174307-51700	SHIM SET	2	2						
46	3	129052-61540	SPRING, SET	1	1						
56	2	129155-61830	O-RING, S10	1	1						
57	2	119660-61901	RETAINER, SHAFT	1	1						
58	2	129155-61950	BOLT	1	1						
59	2	124550-66370	NUT, M6	1	1						
60	2	22117-040000	WASHER, 4	1	1						
61	2	22190-060002	WASHER, SEAL 6	1	1						
62	2	22190-100002	WASHER, SEAL 10	1	1						
63	2	22190-120002	WASHER, SEAL 12	2	2						
64	2	22287-120000	WASHER, 12	1	1						
65	2	22372-040000	PIN, SNAP 4	2	2						
66	2	23887-100002	PLUG, 10	1	1						
67	2	24341-000280	O-RING, 1AS28.0	1	1						
67-1	2	158552-61900	O-RING	1	1						N
		(A=EXXXXX) (B=EXXXXX)									
68	2	26106-060102	BOLT, M6X 10 PLATED	1	1						
69	2	26106-060102	BOLT, M6X 10 PLATED	1	1						
70	2	26106-060102	BOLT, M6X 10 PLATED	4	4						
71	2	26106-060142	BOLT, M6X 14 PLATED	2	2						
72	2	26106-060202	BOLT, M6X 20 PLATED	6	6						
73	2	26756-060002	NUT, LOCK M6	1	1						
74	2	26776-120002	NUT, LOCK M12	2	2						
75	2	26366-080002	NUT, M8	1	1						
76	2	129100-61440	LEVER, CONTROL	1	1						
77	2	129100-61650	SPRING, CONTROLLER	1	1						
78	2	171353-61710	SPRING, GOVERNOR	1	1						
79	2	119233-77931	SOLENOID, STOP	1	1						
80	2	26687-120002	NUT, CAP M12	1	1						
81	2	129155-61350	SLEEVE, L=24.9	1	1						2
82	2	129155-61360	SLEEVE, L=25.2	1	1						2
83	2	119867-61451	LIMITER ASSY, FUEL	1	1						
89	1	135210-61090	LEAD	1	1						
90	1	22451-060000	WIRE, 0.6	1	1						

Fig.13. FUEL INJECTION VALVE



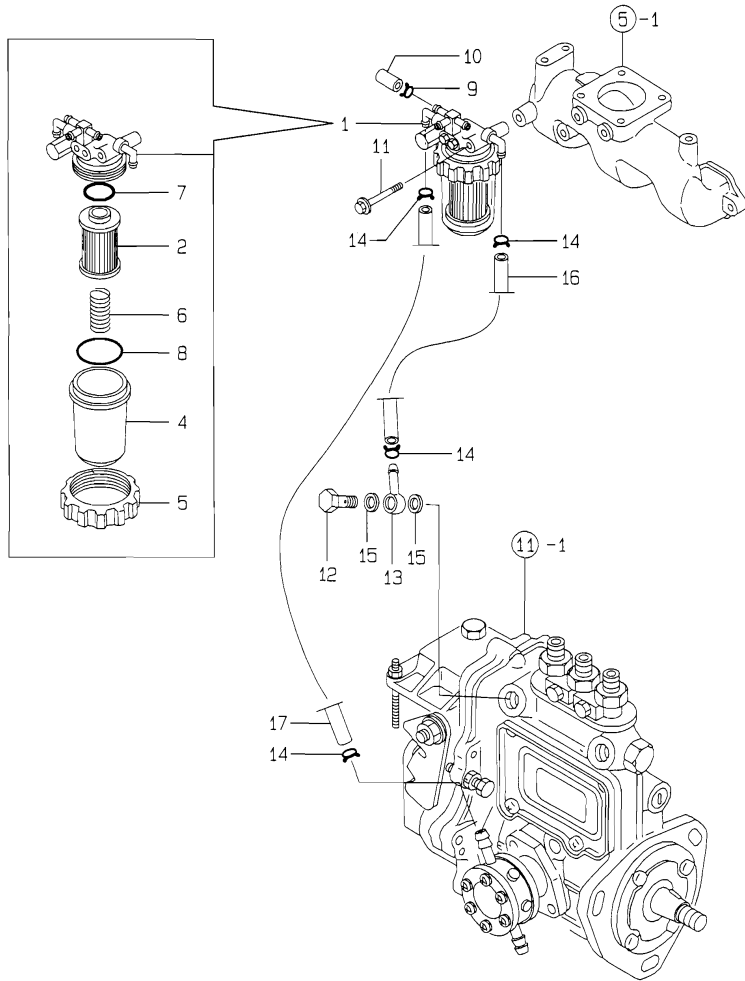
(A)=3TNE84-TS
(B)=3TNE84-TH
(C)=

(D)=
(E)=
(F)=

No.	Lev.	Parts No.	Description	Q'ty						I	R
				(A)	(B)	(C)	(D)	(E)	(F)		
1	1	729503-53100	VALVE ASSY,INJECTION	3	3						
2	2	129503-53000	VALVE ASSY,INJECTION	3	3						
5	2	114250-53080	NUT, NOZZLE D16.95	3	3						
9	2	114250-53120	SPRING, NOZZLE	3	3						
10	2	114250-53130	SEAT, SPRING	3	3						
11	2	114250-53140	PLATE	3	3						
12	2	114250-53210	PIN	6	6						
13	2	114250-53400	SHIM SET	3	3						
20	1	129150-59120	RETAINER, PIPE	1	1						
23	2	129150-59131	BOLT, M4X14	2	2						
25	1	129100-59912	PIPE ASSY, INJECTION	1	1						
29	1	129100-59922	PIPE ASSY, INJECTION	1	1						
33	1	129100-59932	PIPE ASSY, INJECTION	1	1						
37	1	124766-59050	CLIP, HOSE 12	2	2						
38	1	124066-59100	CLIP, HOSE 8	7	7						
39	1	121250-59550	PIPE, FUEL D8X120	2	2						
40	1	119840-59560	PIPE, FUEL RETURN	1	1						
41	1	119840-59570	JOINT	1	1						
42	1	129150-59580	CAP	1	1						
43	1	129255-59580	PIPE, FUEL	1							
43-1	1	105025-59750	PIPE, FUEL	1	1						R
(A=FROM 1ST)											
44	1	129100-59951	VALVE ASSY, CHECK	1	1						
52	1	23414-120000	GASKET, 12X1.0	2	2						

Fig.14. FUEL LINE

Y00D6121
3TNE84-TS, TH



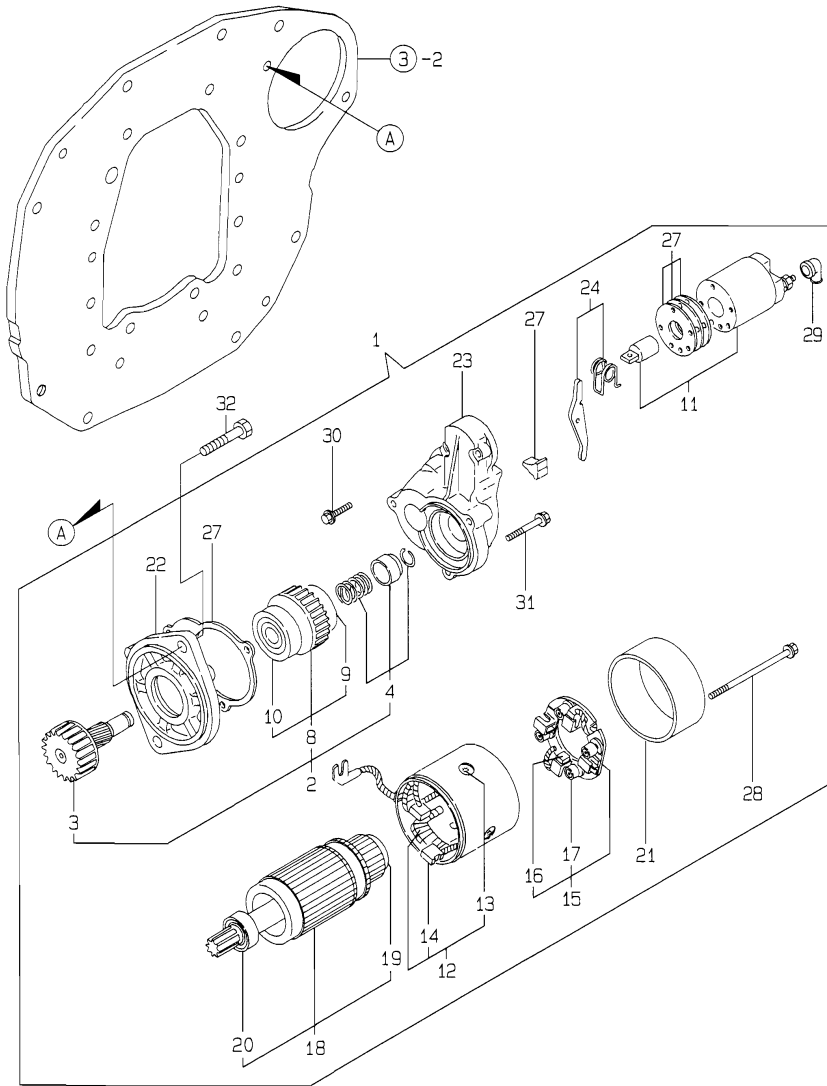
(A)=3TNE84-TS
(B)=3TNE84-TH
(C)=

(D)=
(E)=
(F)=

No.	Lev.	Parts No.	Description	Q'ty						I	R
				(A)	(B)	(C)	(D)	(E)	(F)		
1	1	129114-55620	FILTER ASSY, FUEL	1	1						
2	2	129100-55650	ELEMENT	1	1						
4	2	129100-55680	CUP, STRAINER	1	1						
5	2	129100-55690	RING, RETAINING	1	1						
6	2	129100-55700	SPRING	1	1						
7	2	24311-000160	O-RING, 1AP16.0	1	1						
8	2	24321-000650	O-RING, 1AG65.0	1	1						
9	1	124066-59100	CLIP, HOSE 8	1	1						
10	1	129150-59580	CAP	1	1						
11	1	26014-080702	BOLT, M8X 70	1	1						
12	1	103854-39140	BOLT, PIPE JOINT	1	1						
13	1	101304-59020	JOINT, PIPE 12	1	1						
14	1	124766-59050	CLIP, HOSE 12	4	4						
15	1	22190-120002	WASHER, SEAL 12	2	2						
16	1	129555-59510	PIPE, D13/7.5X180	1	1						
17	1	105025-59530	PIPE, FUEL D13X400	1	1						

Fig.15. STARTING MOTOR

Y00D6121
3TNE84-TS, TH



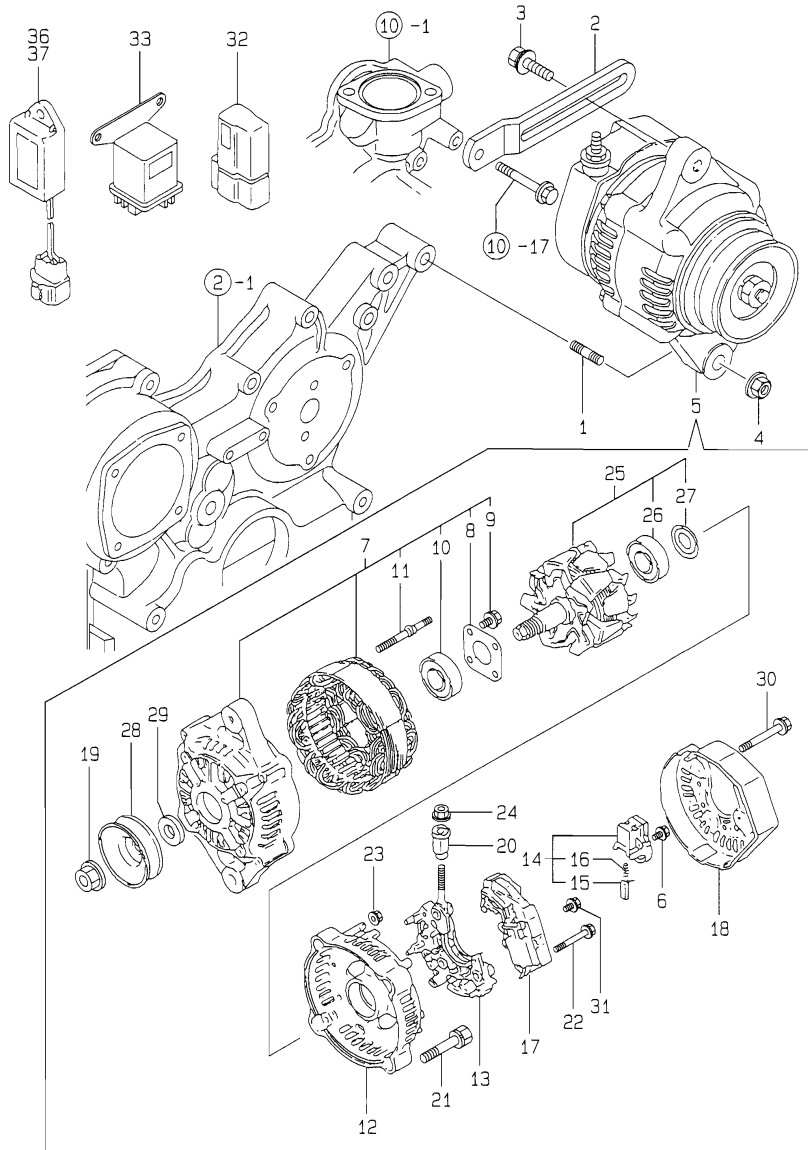
(A)=3TNE84-TS
(B)=3TNE84-TH
(C)=

(D)=
(E)=
(F)=

No.	Lev.	Parts No.	Description	Q'ty						I	R
				(A)	(B)	(C)	(D)	(E)	(F)		
1	1	129136-77010	STARTER	1	1						
2	2	129136-77210	CLUTCH ASSY	1	1						
3	3	129136-77220	SHAFT, PINION	1	1						
4	3	171008-77670	STOPPER SET	1	1						
8	3	X2114555500	CLUTCH ASSY	1	1						
9	4	X2114955020	BEARING, BALL	1	1						
10	4	X2240410100	BEARING, BALL	1	1						
11	2	129136-77310	SWITCH ASSY	1	1						
12	2	129400-77440	COIL ASSY, FIELD	1	1						
13	3	171008-77450	SCREW	4	4						
14	3	129400-77460	BRUSH (+)	2	2						
15	2	129400-77470	HOLDER ASSY, BRUSH	1	1						
16	3	129400-77480	BRUSH (-)	2	2						
17	3	129400-77490	SPRING	4	4						
18	2	129136-77500	ARMATURE ASSY	1	1						
19	3	X2130350900	BEARING, BALL	1	1						
20	3	X2114255110	BEARING, BALL	1	1						
21	2	129400-77510	COVER, REAR	1	1						
22	2	171008-77510	CASE, GEAR	1	1						
23	2	129400-77520	HOUSING	1	1						
24	2	171008-77540	LEVER SET	1	1						
27	2	129400-77570	COVER KIT, DUST	1	1						
28	2	129400-77640	BOLT, THROUGH	2	2						
29	2	171008-77750	COVER	1	1						
30	2	26106-060322	BOLT, M6X 32 PLATED	2	2						
31	2	26106-060402	BOLT, M6X 40 PLATED	3	3						
32	1	26116-120252	BOLT, M12X 25 PLATED	2	2						

Fig.16. GENERATOR

Y00D6121
37NE84-TS, TH



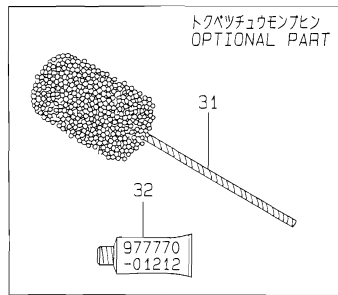
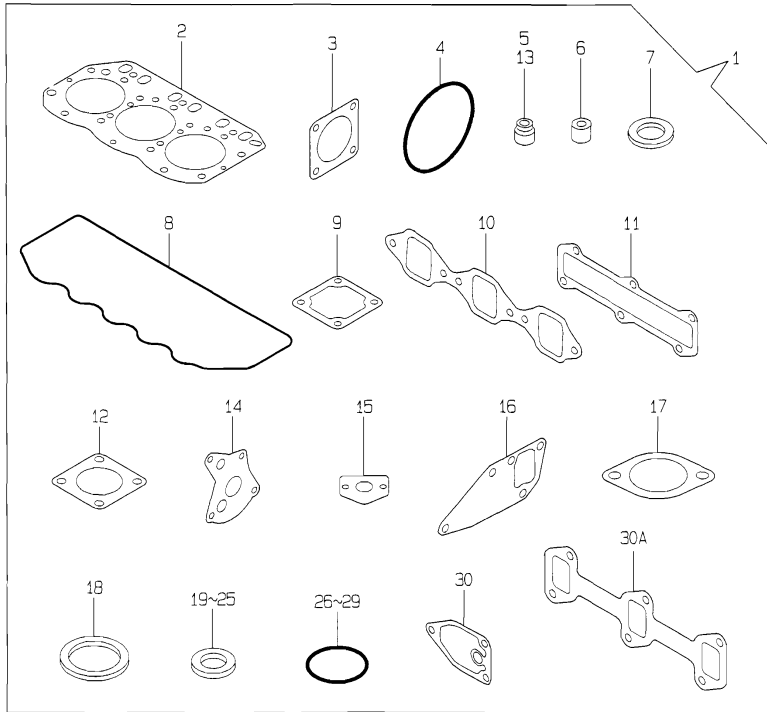
(A)=3TNE84-TS
(B)=3TNE84-TH
(C)=

(D)=
(E)=
(F)=

No.	Lev.	Parts No.	Description	Q'ty						I	R
				(A)	(B)	(C)	(D)	(E)	(F)		
1	1	129795-01900	STUD	1	1						
2	1	124411-77960	ADJUSTER	1	1						
3	1	26014-080252	BOLT, M8X 25	1	1						
4	1	26366-100002	NUT, M10	1	1						
5	1	128400-77200	GENERATOR, 12V-40A	1	1						
6	2	X9490065460	SCREW	6	6						
7	2	X0214005710	FRAME	1	1						
8	3	X0214110500	RETAINER	1	1						
9	3	X9490065200	SCREW	4	4						
10	3	X9491002950	BEARING, BALL	1	1						
11	3	X9490432120	STUD	2	2						
12	2	X0215015280	FRAME	1	1						
13	2	X0215803080	HOLDER	1	1						
14	2	X0216202190	HOLDER, BRUSH	1	1						
15	3	X0216600390	BRUSH	2	2						
16	3	X9491706990	SPRING	2	2						
17	2	X1260000600	REGULATOR	1	1						
18	2	X0215511130	COVER	1	1						
19	2	X9490562520	NUT	1	1						
20	2	X0216051700	BUSH	1	1						
21	2	X9490473410	BOLT	2	2						
22	2	X9131004251	SCREW	2	2						
23	2	X9490562480	NUT, M5	2	2						
24	2	X9490561001	NUT	1	1						
25	2	X0212003520	ROTOR ASSY	1	1						
26	3	X9491003670	BEARING, BALL	1	1						
27	3	X0215060070	COVER, BEARING	1	1						
28	2	X0210415670	PULLEY	1	1						
29	2	X0210450600	COLLAR	1	1						
30	2	X9490462040	BOLT	3	3						
31	2	X9490065470	SCREW	1	1						
32	1	119643-66900	DIODE	1	1						
33	1	119650-77910	RELAY ASSY, GLOW	1	1						
36	1	119632-77920	TIMER	1	1						
37	1	128300-77920	TIMER	1	1						

Fig.17. GASKET SET

Y00D6121
3TNE84-TS, TH



(A)=3TNE84-TS
(B)=3TNE84-TH
(C)=

(D)=
(E)=
(F)=

No.	Lev.	Parts No.	Description	Q'ty						I	R
				(A)	(B)	(C)	(D)	(E)	(F)		
1	1	729002-92640	GASKET SET	1	1						1
2	2	129002-01331	GASKET, HEAD	1	1						
3	2	124240-01883	GASKET	1	1						
4	2	121850-51960	O-RING	1	1						
5	2	124460-11340	SEAL, VALVE STEM	3	3						
6	2	119625-11871	PROTECTOR, NOZZLE	3	3						
7	2	119625-11880	SEAT, NOZZLE	3	3						
8	2	129150-11310	GASKET, BONNET	1	1						
9	2	129150-77511	GASKET	1	1						
10	2	129150-12111	GASKET, MANIFOLD	1	1						
11	2	129001-13110	GASKET	1							
12	2	124701-11911	GASKET, SILENCER	1	1						
13	2	121400-11340	SEAL, VALVE STEM	3	3						
14	2	129150-32020	GASKET, PUMP	1	1						
15	2	129150-35041	GASKET	1	1						
16	2	129150-42020	GASKET, WATER PUMP	1	1						
17	2	129795-49551	GASKET	1	1						
18	2	129150-49811	GASKET, THERMOSTAT	1	1						
19	2	129155-52050	GASKET	1	1						
20	2	22190-080002	WASHER, SEAL 6	5	5						
21	2	23414-080000	GASKET, 8X1.0	2	2						
22	2	22190-120002	WASHER, SEAL 12	2	2						
23	2	23414-100000	GASKET, 10X1.0	2	2						
24	2	23414-120000	GASKET, 12X1.0	2	2						
25	2	124465-44950	GASKET, 16	2	2						
26	2	24311-000120	O-RING, 1AP12.0	3	3						
27	2	24311-000160	O-RING, 1AP16.0	3	3						
28	2	24311-000320	O-RING, 1AP32.0	2	2						
29	2	24341-000240	O-RING, 1AS24.0	1	1						
30	2	129150-35111	GASKET	1	1						
30A	2	129150-13110	GASKET		1						
31	1	129400-92420	HONE	1	1						1
32	1	977770-01212	GASKET, LIQUID	1	1						1

Remarks
(1) OPTIONAL PART.

Parts No. Index

Parts No.	Fig. No.	Ref. No.
101304-59020	14	13
103854-39140	14	12
105025-59530	14	17
105025-59750	13	43 -1
114250-53080	13	5
114250-53120	13	9
114250-53130	13	10
114250-53140	13	11
114250-53210	13	12
114250-53400	13	13
119233-77931	12	79
119260-34810	9	14
119625-11871	4	25
	17	6
119625-11880	4	26
	17	7
119625-11900	4	27
119632-77920	16	36
119640-01640	3	8
119643-66900	16	32
119650-77910	16	33
119660-61901	12	57
119810-51040	11	6
119840-59560	13	40
119840-59570	13	41
119867-61451	12	83
120130-11860	4	11
121023-01550	2	25
121111-21501	8	12
121250-59550	13	39
121400-11340	4	22
	17	13
121450-01560	2	6
121450-42450	10	27
121550-23200	8	30
121850-21680	8	11
121850-51960	2	13
	17	4
122117-51560	11	50
122710-51090	11	10
124066-59100	13	38
	14	9
124101-49530	10	21
124160-01751	2	7
	4	58
124160-01910	1	5
124160-11360	4	55
124160-39140	9	21
124160-39450	9	29
124240-01871	2	8

Parts No.	Fig. No.	Ref. No.
124240-01883	2	9
	17	3
124411-77960	16	2
124460-11340	4	23
	17	5
124465-44950	10	28
	17	25
124550-21600	8	16
124550-51350	11	32
124550-51370	11	33
124550-59820	9	26
124550-66370	12	59
124701-11911	6	7
	17	12
124736-07900	4	5
124766-59050	13	37
	14	14
124950-51190	11	17
128300-77920	16	37
128400-77200	16	5
129001-02800	1	15
129001-11700	4	7
129001-13100	6	1
129001-13110	6	2
	17	11
129001-21000	8	1
129001-32001	9	1
129001-35300	9	38
129002-01331	1	22
	17	2
129002-22081	8	17
129002-22500	8	19
129002-22901	8	33
129002-22950	8	35
129052-61050	12	5
129052-61060	12	6
129052-61070	12	7
129052-61390	12	30
129052-61500	12	31
129052-61540	12	46
129100-01580	3	1
	14	14
	8	2
129100-01640	3	15
129100-01730	3	5
129100-11100	4	17
129100-11110	4	18
129100-11350	4	44
129100-13110	6	8
129100-23910	8	29

Parts No.	Fig. No.	Ref. No.
129100-25061	7	10
129100-52100	11	95
129100-55650	14	2
129100-55680	14	4
129100-55690	14	5
129100-55700	14	6
129100-59912	13	25
129100-59922	13	29
129100-59932	13	33
129100-59951	13	44
129100-61400	12	16
129100-61440	12	76
129100-61650	12	77
129114-21580	8	13
129114-34810	9	40
129114-34820	9	32
129114-55620	14	1
129120-42350	10	19
129120-77501	5	4
129129-14580	7	3
129136-77010	15	1
129136-77210	15	2
129136-77220	15	3
129136-77310	15	11
129136-77500	15	18
129150-01200	1	21
129150-01600	3	2
129150-02020	1	7
129150-02450	7	4
129150-02870	1	23
129150-02930	1	18
129150-02940	1	26
129150-03020	4	46
129150-03070	4	47
129150-03080	4	48
129150-03090	4	2
129150-03100	2	11
129150-11230	4	36
129150-11280	4	31
129150-11290	4	32
129150-11310	4	51
	17	8
129150-11370	4	24
129150-11750	4	38
129150-11810	4	13
129150-12100	5	1
129150-12111	5	2
	17	10
129150-13110	6	9
	17	30 A

Parts No.	Fig. No.	Ref. No.
129150-14101	7	7
129150-14200	7	1
129150-14400	7	2
129150-21200	8	5
129150-23600	8	31
129150-23610	8	39
129150-25101	7	11
129150-25900	7	16
129150-25920	7	14
129150-32020	9	30
	17	14
129150-35041	9	15
	17	15
129150-35091	9	16
129150-35101	9	36
129150-35111	9	37
	17	30
129150-35151	9	33
129150-35350	9	34
129150-39450	9	22
129150-42001	10	1
129150-42020	10	15
	17	16
129150-49811	10	24
	17	18
129150-59120	13	20
129150-59131	13	23
129150-59580	13	42
	14	10
129150-77511	5	5
	17	9
129155-11241	4	28
129155-11260	4	29
129155-11270	4	30
129155-51020	11	5
129155-51050	11	8
129155-51060	11	9
129155-51140	11	14
129155-51180	11	16
129155-51200	11	18
129155-51270	11	25
129155-51280	11	26
	12	2
129155-51320	11	30
129155-51340	11	31
129155-51370	11	34
129155-51380	11	35
129155-51390	11	36
129155-51400	11	37
129155-51410	11	38

Parts No. Index

Parts No.	Fig. No.	Ref. No.
129155-51420	11	39
129155-51450	11	40
129155-51500	11	45
129155-51521	11	46
129155-51530	11	47
129155-51540	11	48
129155-51550	11	49
129155-51570	11	52
129155-51580	11	53
129155-51591	11	54
129155-51600	11	55
129155-51700	11	74
129155-51710	11	75
129155-51750	11	76
129155-51760	11	77
129155-51790	11	78
129155-51930	11	80
129155-51940	11	81
129155-52050	11	94
	17	19
129155-61120	12	8
129155-61130	12	9
129155-61140	12	10
129155-61201	12	11
129155-61341	12	15
129155-61350	12	81
129155-61360	12	82
129155-61430	12	19
129155-61450	12	23
129155-61460	12	24
129155-61480	12	25
129155-61830	12	56
129155-61950	12	58
129156-51910	11	79
129189-01600	3	24
129202-22300	8	23
129255-59580	13	43
129400-01520	2	5
129400-77440	15	12
129400-77460	15	14
129400-77470	15	15
129400-77480	15	16
129400-77490	15	17
129400-77510	15	21
129400-77520	15	23
129400-77570	15	27
129400-77640	15	28
129400-92420	17	31
129486-01670	3	18
129503-53000	13	2

Parts No.	Fig. No.	Ref. No.
129505-51300	11	27
129506-51100	11	11
129550-42350	10	30
129555-59510	14	16
129574-49800	10	23
129795-01780	3	17
129795-01800	2	4
129795-01900	16	1
129795-01950	2	10
129795-02411	1	10
129795-11120	4	19
129795-11180	4	20
129795-21661	8	10
129795-49551	10	22
	17	17
135210-61090	12	89
158552-61900	12	67 -1
171008-77450	15	13
171008-77510	15	22
171008-77540	15	24
171008-77670	15	4
171008-77750	15	29
171051-01921	1	6
171056-49120	10	29
171340-21650	8	9
171353-61710	12	78
174307-51170	11	15
174307-51560	11	51
174307-51700	12	32
194990-22050	6	3
22117-040000	12	60
22190-060002	12	61
22190-080002	2	12
		23
	17	20
22190-100002	12	62
22190-120002	12	63
	14	15
	17	22
22190-160002	11	91
22190-220002	3	10
22217-050000	11	82
22217-060000	11	83
22217-120000	7	17
22252-000260	8	24
22287-120000	12	64
22312-080160	8	41
22312-080250	3	20
22351-040010	8	8
22351-050010	11	84

Parts No.	Fig. No.	Ref. No.
22351-060012	4	40
22372-040000	12	65
22451-060000	12	90
22512-070140	7	8
	8	6
23414-080000	9	27
	17	21
23414-100000	9	28
	17	23
23414-120000	13	52
	17	24
23871-010000	1	11
23887-100002	12	66
24101-063034	11	85
24311-000120	4	1
	17	26
24311-000160	2	14
	9	35
	14	7
	17	27
24311-000320	2	15
	4	59
	17	28
24311-240100	9	41
24321-000650	14	8
24341-000160	11	86
24341-000240	2	26
	17	29
24341-000280	12	67
24341-000500	4	53
25132-004200	10	18
26013-100252	1	29
26014-060252	10	20
26014-080252	16	3
26014-080702	14	11
26022-050102	11	87
26022-060162	11	88
26106-060102	12	68
		69
		70
26106-060122	2	27
26106-060142	12	71
26106-060202	12	72
26106-060322	15	30
26106-060402	15	31
26106-080122	2	16
26106-080142	4	6
	7	9
26106-080162	2	17
		24

Parts No.	Fig. No.	Ref. No.
26106-080162	3	11
	4	54
	9	42
26106-080202	2	18
	9	39
26106-080252	3	12
	4	41
	5	3
	10	26
26106-080352	3	19
	5	6
	9	20
26106-080402	6	4
26106-080452	2	19
	3	13
		13 -1
	7	15
26106-080502	3	25
	4	42
26106-080552	2	20
	10	16
26106-080602	10	17
26106-080652	10	25
26106-080802	6	10
26106-080852	2	21
26116-050302	11	89
26116-120252	15	32
26116-120902	3	21
26116-121002	3	22
26206-100202	3	3
26206-100252	3	4
26216-060202	4	15
26216-080222	6	5
26216-080402	6	6
26216-080802	6	11
26226-080182	4	39
26366-060002	4	43
26366-080002	2	22
	12	75
26366-100002	16	4
26450-060252	9	31
26687-120002	12	80
26716-060002	11	90
26716-120002	7	18
26756-060002	12	73
26776-120002	12	74
27231-500000	1	12
27241-120000	1	13
27241-300000	1	14
27241-400000	4	16

Parts No. Index

Parts No.	Fig. No.	Ref. No.
27310-080000	4	21
719810-01500	2	1
729002-01560	1	1
729002-92640	17	1
729102-01540	3	7
729216-51390	11	1
729402-11650	4	35
729402-23100	8	25
729503-53100	13	1
977770-01212	2	28
	3	23
	17	32
X0210415670	16	28
X0210450600	16	29
X0212003520	16	25
X0214005710	16	7
X0214110500	16	8
X0215015280	16	12
X0215060070	16	27
X0215511130	16	18
X0215803080	16	13
X0216051700	16	20
X0216202190	16	14
X0216600390	16	15
X1260000600	16	17
X2114255110	15	20
X2114555500	15	8
X2114955020	15	9
X2130350900	15	19
X2240410100	15	10
X9131004251	16	22
X9490065200	16	9
X9490065460	16	6
X9490065470	16	31
X9490432120	16	11
X9490462040	16	30
X9490473410	16	21
X9490561001	16	24
X9490562480	16	23
X9490562520	16	19
X9491002950	16	10
X9491003670	16	26
X9491706990	16	16

Parts No.	Fig. No.	Ref. No.
-----------	----------	----------

Parts No.	Fig. No.	Ref. No.
-----------	----------	----------

Parts No.	Fig. No.	Ref. No.
-----------	----------	----------