

OCD10-M61100EN

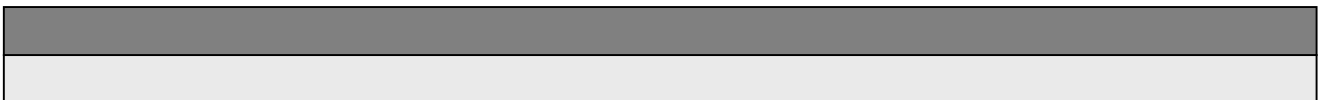
# PREFACE

1. This Parts Catalog is the 1st edition of 3TNE68-TS Diesel Engine for TOYOTA.

Pub. No. : 000Y00D6110  
Published : November, 1996

2. Model name

Engine model	Vehicle		Vehicle made by
	Products	Model name	
3TNE68-TS	SKID STEER LOADER	—	TOYOTA



## Directions for the Parts Catalog.

1. This Parts Catalog shows both standard and optional parts.
2. Parts may change without prior notice.
3. The following is an example of the Parts Catalog format.

REF.	LEV.	PARTS NO.	DESCRIPTION	Q'TY						I	R
				(A)	(B)	(C)	(D)	(E)	(F)		
1	1	729595-51390	FUEL INJECTION PUMP	1	1	1	1	1			1
1-1	1	729595-51391	FUEL INJECTION PUMP	1	1	1	1	1		N	1
		(A=E00185) (B=E00200)									
3	2	26022-060162	SCREW M 6X 16	9	9	9	9	9			
3-1	2	26022-060162	SCREW M 6X 16	4	4	4	4	4		K	
		(A=E00156) (B=E00156) (C=E00156) (D=E00156) (E=E00156)									
4	2	129470-51040	CAMSHAFT	1	1	1	1	1			
5	2	122710-51050	BEARING, ROLLER	2	2	2	2	2			
6	2	129470-51060	RETAINER	1	1	1	1	1			

Remarks
(1) BOOST COMPEMSATOR TYPE. OPTIONAL PART, TO E00155,(4JH-DT, 4JH-DTZ

### ① Ref. No.

The Ref. No. listed may not be in accordance with the illustration Ref. No.

(Ex.) Illustration No.

List Ref No.

1

1

(Before change)

1-1

(After change)

For interchangeable symbols N, R and K, illustrations for new parts may be abbreviated.

### ② Lev. (Level)

Level indication

The numbers below indicate the level of relativity towards the main part.

1 ----- Main parts (Assembly parts)

2 ----- Sub component included in " 1 ".

3 ----- Sub component included in " 2 ".

Note) Parts that are not for sale are partially illustrated but not listed.

### ③ Interchangeability Symbol

When a part change takes place, one of the following interchangeability symbols is indicated beside the part.

Symbol	Interchangeability	Contents note
N	Old $\begin{matrix} \leftarrow \text{Yes} \\ \text{No} \rightarrow \end{matrix}$ New	New Part is interchangeable for Old Part but Old Part is not interchangeable for New Part.
Q	Old $\begin{matrix} \leftarrow \text{No} \\ \text{Yes} \rightarrow \end{matrix}$ New	New Part is not interchangeable for Old Part but Old Part is interchangeable for New Part.
R	Old $\begin{matrix} \leftarrow \text{Yes} \\ \text{Yes} \rightarrow \end{matrix}$ New	New/ Old Parts are both interchangeable.
S	Old $\begin{matrix} \leftarrow \text{No} \\ \text{No} \rightarrow \end{matrix}$ New	New/ Old Parts are both not interchangeable.
W		Part newly added.
Z		Part discontinued.
F		Not interchangeable by a single part but interchangeable together with related parts.
K		Changes only for used parts quantities.

### ④ Effective Machine No.

When a part changes, the effective Machine No. will be indicated in the (A)-(F) column.

Product Symbol	Product No.	Product Symbol	Product No.
C	Clutch No. Compressor No.	F	Machine No. (Agricultural Equip.)
D	Drive No.	M	Machine No.
E	Engine No.		

Note 1) A date may follow the symbol. (Ex.) 1996.01

Note 2) "XXXXX" and "ZZZZZ" are for parts that could not be predicted or for engine models that could not be identified.

Note 3) (A=E00185) is the E (Engine Serial Number) for the column (A) model (in this case 4JH-DT) after the parts design change.

### ⑤ Remarks

Figures or alphabets (symbols) are entered in the remarks column.

The comments (remarks) on parts that are indicated at the bottom of the illustration are the same symbols as those stated above.

# Contents

Fig. No. Fig. Name

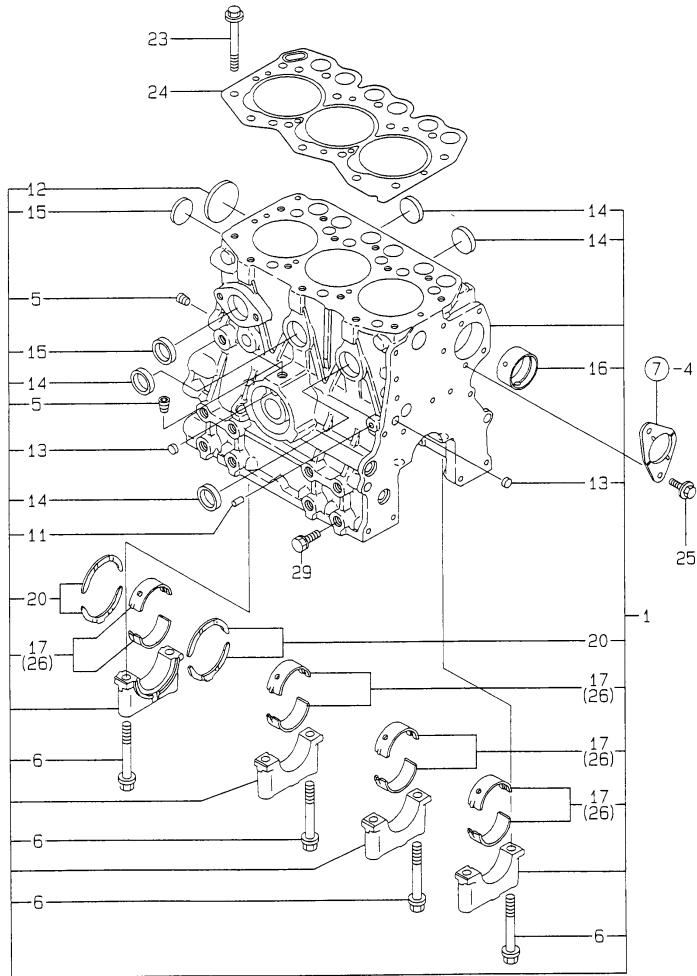
3TNE68-TS

1. CYLINDER BLOCK
2. GEAR HOUSING
3. MOUNTING FLANGE & OIL SUMP
4. CYLINDER HEAD & BONNET
5. SUCTION MANIFOLD
6. EXHAUST MANIFOLD
7. CAMSHAFT & DRIVING GEAR
8. CRANKSHAFT & PISTON
9. LUB.OIL SYSTEM
10. COOLING WATER SYSTEM
11. FUEL INJECTION PUMP
12. GOVERNOR
13. FUEL INJECTION VALVE
14. FUEL LINE
18. (14A)FUEL LINE
15. STARTING MOTOR
16. GENERATOR
17. GASKET SET

Fig. No. Fig. Name

# Fig.1. CYLINDER BLOCK

Y00D6110  
3TNE68-7S



(A)=3TNE68-TS

(B)=

(C)=

(D)=

(E)=

(F)=

No.	Lev.	Parts No.	Description	Q'ty						I	R
				(A)	(B)	(C)	(D)	(E)	(F)		
1	1	719265-01560	BLOCK ASSY, CYLINDER	1							
5	2	124060-01050	PLUG, PT1/8	2							
6	2	119260-02020	BOLT, METAL CAP	8							
11	2	27221-060100	PLUG, 6X10	1							
12	2	27231-400000	PLUG 40	1							
13	2	27241-100000	PLUG, 10	2							
14	2	27241-250000	PLUG, 25	4							
15	2	27241-300000	PLUG 30	2							
16	2	119260-02410	BUSH, CAMSHAFT	1							
17	2	719260-02800	BEARING, MAIN	4							
20	2	719260-02930	BEARING, THRUST	2							
23	1	119260-01200	BOLT, HEAD	14							
24	1	119265-01341	GASKET, HEAD	1							
25	1	26106-060122	BOLT, M6X 12 PLATED	2							
26	1	719260-02870	BEARING, 0.25 US	4							1
29	1	26013-100202	BOLT, M10X 20	8							

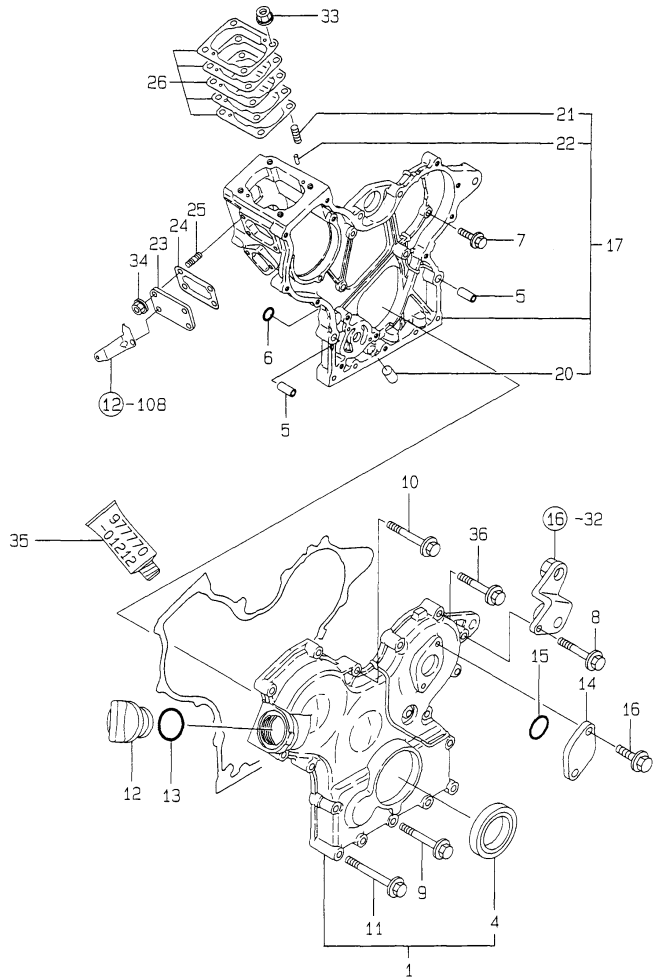
Remarks

(1) UNDER-SIZE(U.S=0.25)PART.

N:Old  $\xrightarrow{\text{Yes}}$  New, Q:Old  $\xrightarrow{\text{No}}$  New, R:Old  $\xrightarrow{\text{Yes}}$  New, S:Old  $\xrightarrow{\text{No}}$  New, W:Add, Z:Discontinued, F:Interchangeable by set, K:Q'ty Change

Fig.2. GEAR HOUSING

Y00D6110  
3TNE68-TS



(A)=3TNE68-TS

(B)=

(C)=

(D)=

(E)=

(F)=

No.	Lev.	Parts No.	Description	Q'ty						I	R
				(A)	(B)	(C)	(D)	(E)	(F)		
1	1	119260-01590	COVER ASSY,GEAR CASE	1							
4	2	119620-01800	SEAL, OIL	1							
5	1	119660-01911	PIPE, KNOCK	4							
6	1	24311-000120	O-RING, 1AP12.0	2							
7	1	26106-060162	BOLT, M6X 16 PLATED	5							
8	1	26106-060352	BOLT, M6X 35 PLATED	1							
9	1	26106-060402	BOLT, M6X 40 PLATED	3							
10	1	26106-060502	BOLT, M6X 50 PLATED	4							
11	1	26106-060652	BOLT, M6X 65 PLATED	6							
12	1	124160-01751	COVER, FILLER	1							
13	1	24311-000320	O-RING, 1AP32.0	1							
14	1	121023-01550	COVER	1							
15	1	24341-000240	O-RING, 1AS24.0	1							
16	1	26106-060182	BOLT, M6X 18 PLATED	2							
17	1	119260-01490	CASE ASSY, GEAR	1							
20	2	119260-01510	PLUG	1							
21	2	121450-01560	STUD, M8X22	4							
22	2	22351-040010	PIN, SPRING 4.0X10	2							
23	1	119660-01551	COVER	1							
24	1	119660-01562	GASKET	1							
25	1	119660-01570	STUD, M6X12	4							
26	1	119623-01950	SHIM SET, ADJUSTING	1							
33	1	194990-22050	NUT, M8	4							
34	1	26366-060002	NUT, M6	4							
35	1	977770-01212	GASKET, LIQUID	1							1
36	1	26106-060302	BOLT, M6X 30 PLATED	4							

Remarks

(1) OPTIONAL PART.

N:Old  $\xrightarrow{\text{Yes}}$  New, Q:Old  $\xrightarrow{\text{No}}$  New, R:Old  $\xrightarrow{\text{Yes}}$  New, S:Old  $\xrightarrow{\text{No}}$  New, W:Add, Z:Discontinued, F:Interchangeable by set, K:Q'ty Change

Fig.3. MOUNTING FLANGE & OIL SUMP

(A)=3TNE68-TS

(B)=

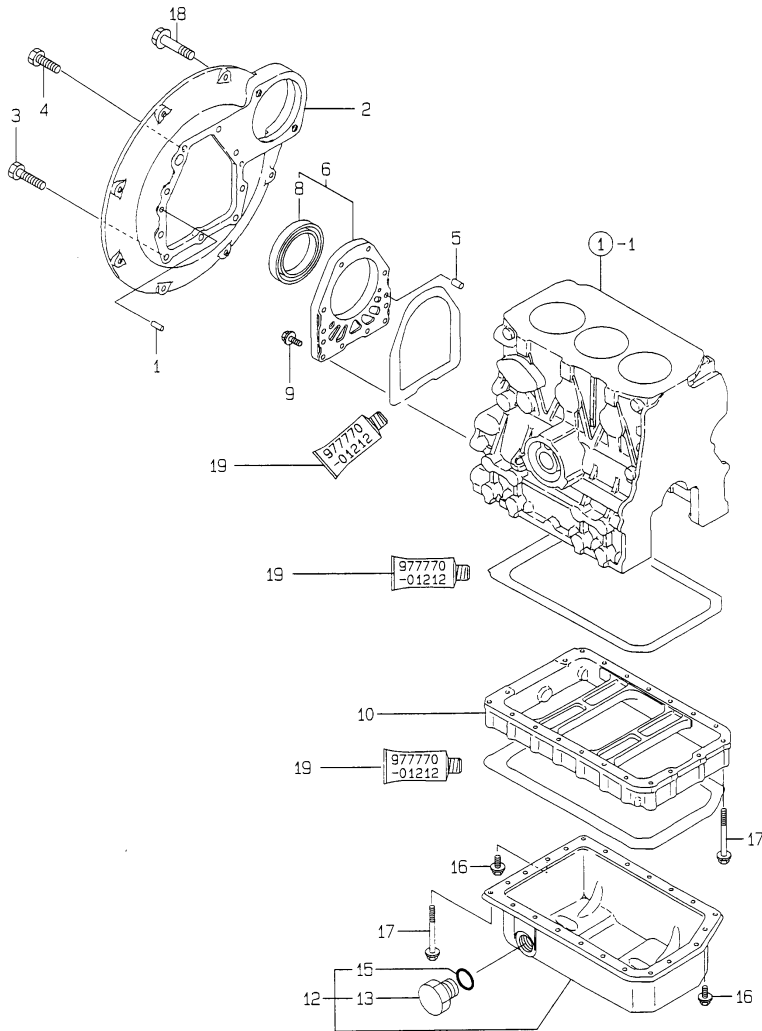
(C)=

(D)=

(E)=

(F)=

Y00D6110  
3TNE68-TS

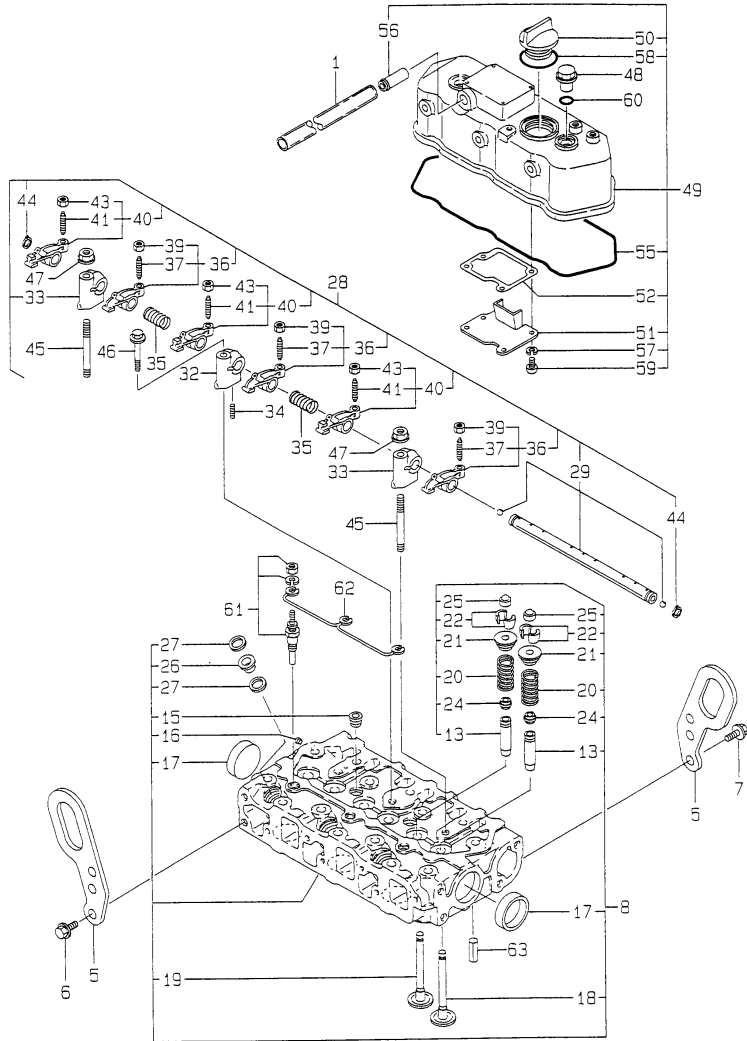


No.	Lev.	Parts No.	Description	Q'ty						I	R
				(A)	(B)	(C)	(D)	(E)	(F)		
1	1	129100-01580	PIN, M8X16	2							
2	1	119645-01600	FLANGE, MOUNTING	1							
3	1	121120-01620	BOLT, M10X28	3							
4	1	26206-100252	BOLT, M10X 25 PLATED	6							
5	1	119620-01620	PIN, M6X10	2							
6	1	119660-01640	CASE ASSY, OIL SEAL	1							
8	2	124085-02220	SEAL, OIL	1							
9	1	26106-060222	BOLT, M6X 22 PLATED	10							
10	1	119454-01721	SPACER, OIL SUMP	1							
12	1	119260-01770	SUMP ASSY, OIL	1							
13	2	121400-01640	PLUG, 16	1							
15	2	24311-000180	O-RING, 1AP18.0	1							
16	1	26106-060102	BOLT, M6X 10 PLATED	3							
17	1	26106-060452	BOLT, M6X 45 PLATED	20							
18	1	26106-100852	BOLT, M10X 85 PLATED	7							
19	1	977770-01212	GASKET, LIQUID	1							1

Remarks  
(1) OPTIONAL PART.

Fig.4. CYLINDER HEAD & BONNET

Y0006110  
37NE68-TS



(A)=3TNE68-TS

(B)=

(C)=

(D)=

(E)=

(F)=

No.	Lev.	Parts No.	Description	Q'ty						I	R
				(A)	(B)	(C)	(D)	(E)	(F)		
1	1	119244-03200	PIPE , BREATHER	1							
5	1	119260-07900	LIFTER	2							
6	1	26106-080142	BOLT, M8X 14 PLATED	1							
7	1	26106-080142	BOLT, M8X 14 PLATED	2							
8	1	119265-11700	HEAD ASSY, CYLINDER	1							
13	2	119260-11800	GUIDE, VALVE	6							1
15	2	23871-030000	PLUG, R03	2							
16	2	27221-050080	PLUG, 5X 8	1							
17	2	27241-350000	PLUG, 35	2							
18	2	119260-11100	VALVE, INTAKE	3							
19	2	119260-11110	VALVE, EXHAUST	3							
20	2	114250-11120	SPRING, VALVE	6							
21	2	114250-11180	RETAINER, SPRING	6							
22	2	714250-11570	COTTER ASSY	6							
24	2	119260-11340	SEAL, VALVE STEM	6							
25	2	119260-11370	CAP, VALVE	6							
26	2	119600-11450	PROTECTOR, NOZZLE	3							
27	2	119600-11460	GASKET, NOZZLE	6							
28	1	119260-11200	SUPPORT ASSY, ARM	1							
29	2	119260-11240	SHAFT ASSY, ROCKER	1							
32	2	119260-11260	SUPPORT, ROCKER ARM	1							
33	2	119265-11260	SUPPORT, ROCKER ARM	2							
34	2	119260-11270	SCREW	1							
35	2	119260-11280	SPRING	2							
36	2	719260-11650	ARM ASSY, ROCKER	3							
37	3	105010-11230	SCREW, VALVE ADJUST	3							
39	3	26756-060002	NUT, LOCK M6	3							
40	2	719260-11660	ARM ASSY, ROCKER	3							
41	3	105010-11230	SCREW, VALVE ADJUST	3							
43	3	26756-060002	NUT, LOCK M6	3							
44	2	22242-000100	RING, 10	2							
45	1	119620-11350	STUD	2							
46	1	26106-080452	BOLT, M8X 45 PLATED	1							
47	1	26366-080002	NUT, M8	2							
48	1	124160-11360	KNOB	2							
49	1	719260-11520	BONNET ASSY, HEAD	1							
50	2	124160-01751	COVER, FILLER	1							
51	2	119260-03020	PLATE, SHELTER	1							
52	2	119260-03031	GASKET	1							
55	2	119260-11310	GASKET, BONNET	1							
56	2	119620-11390	JOINT	1							
57	2	22217-050000	WASHER, SPRING 5	4							
58	2	24311-000320	O-RING, 1AP32.0	1							
59	2	26557-050102	SCREW, M5X10	4							
60	1	24311-000120	O-RING, 1AP12.0	2							
61	1	129795-77800	PLUG, GLOW	3							
62	1	119620-77820	CONNECTOR, GLOW PLUG	1							
63	1	22351-060012	PIN, SPRING 6.0X12	2							

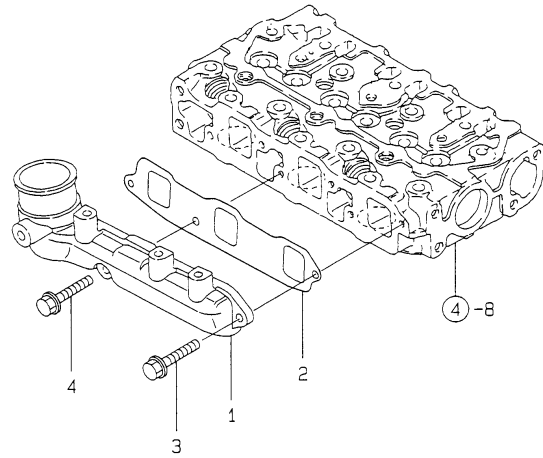
Remarks

(1) REPAIR PART.



Fig.5. SUCTION MANIFOLD

Y0006110  
3TNE68-TS



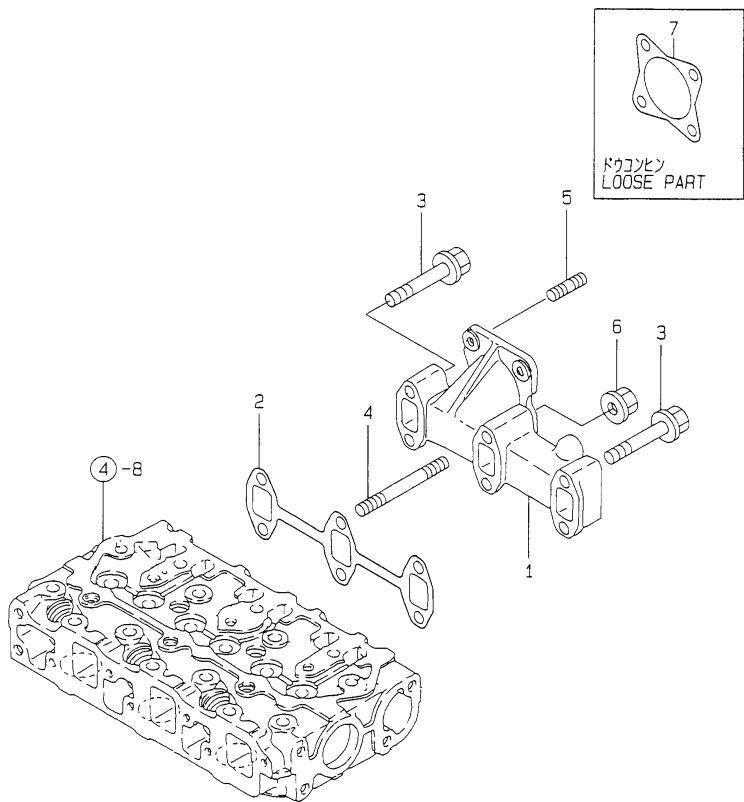
(A)=3TNE68-TS  
(B)=  
(C)=

(D)=  
(E)=  
(F)=

No.	Lev.	Parts No.	Description	Q'ty						I	R
				(A)	(B)	(C)	(D)	(E)	(F)		
1	1	119270-12100	MANIFOLD, AIR INTAKE	1							
2	1	119270-12110	GASKET, MANIFOLD	1							
3	1	26106-060162	BOLT, M6X 16 PLATED	2							
4	1	26106-060282	BOLT, M6X 28 PLATED	1							

Fig.6. EXHAUST MANIFOLD

Y00D6110  
3TNE68-TS



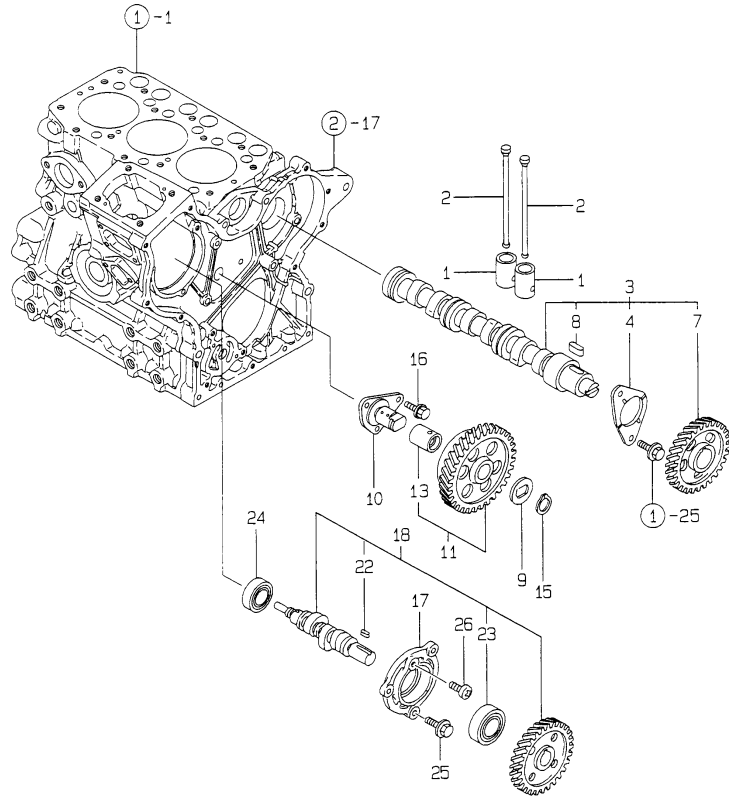
(A)=3TNE68-TS  
(B)=  
(C)=

(D)=  
(E)=  
(F)=

No.	Lev.	Parts No.	Description	Q'ty						I	R
				(A)	(B)	(C)	(D)	(E)	(F)		
1	1	119260-13100	MANIFOLD, EXHAUST	1							
2	1	119260-13110	GASKET	1							
3	1	26106-060352	BOLT, M6X 35 PLATED	4							
4	1	26216-060402	STUD, M6X 40	2							
5	1	26216-080222	STUD, M8X 22	4							
6	1	26366-060002	NUT, M6	2							
7	1	121000-13201	GASKET, SILENCER	1							

# Fig.7. CAMSHAFT & DRIVING GEAR

Y00D6110  
37NE68-TS



(A)=3TNE68-TS

(B)=

(C)=

(D)=

(E)=

(F)=

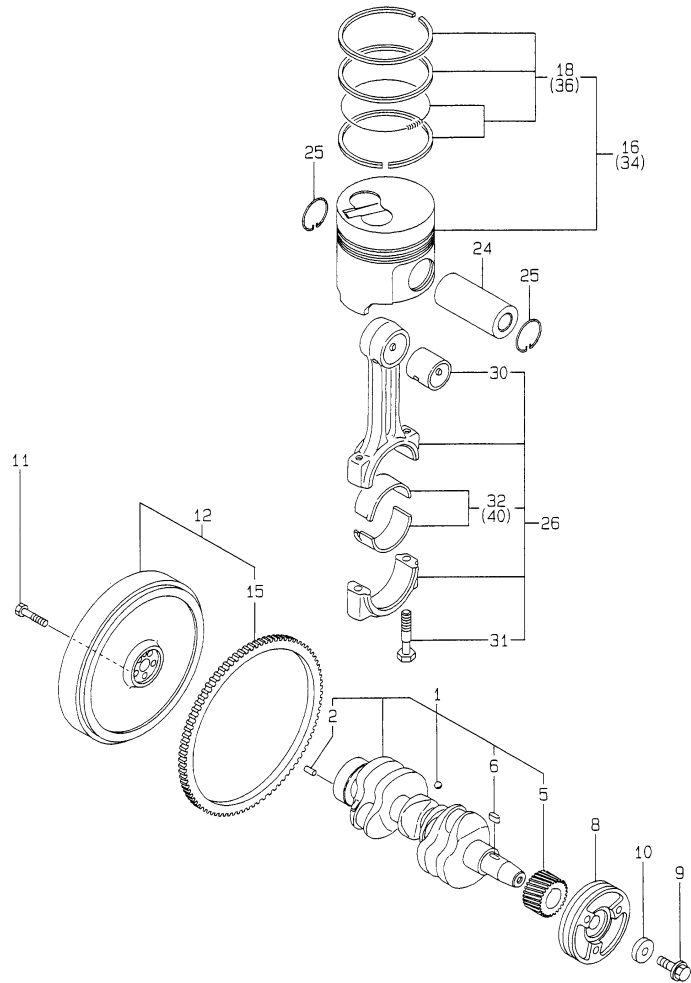
No.	Lev.	Parts No.	Description	Q'ty						I	R
				(A)	(B)	(C)	(D)	(E)	(F)		
1	1	119260-14200	TAPPET	6							
2	1	119260-14400	ROD, PUSH	6							
3	1	119260-14580	CAMSHAFT ASSY	1							
4	2	119620-02450	BEARING, THRUST	1							
7	2	119260-14100	GEAR, CAMSHAFT	1							
8	2	22512-040120	KEY, 4X 12	1							
9	1	119660-25022	RETAINER	1							
10	1	119660-25052	SHAFT, IDLE	1							
11	1	119260-25100	GEAR ASSY, IDLE	1							
13	2	119620-25912	BUSH	1							1
15	1	22242-000200	RING, 20	1							
16	1	26106-060122	BOLT, M6X 12 PLATED	3							
17	1	119660-01821	BEARING, FUEL CAM	1							
18	1	119225-14200	CAM ASSY	1							
22	2	22512-040120	KEY, 4X 12	1							
23	2	24102-063034	BEARING, BALL 6303U	1							
24	1	24101-062034	BEARING, BALL 6203	1							
25	1	26106-060162	BOLT, M6X 16 PLATED	3							
26	1	26587-080102	SCREW, M8X10	1							

Remarks

(1) REPAIR PART.

# Fig.8. CRANKSHAFT & PISTON

Y00D6110  
3TNE68-TS



(A)=3TNE68-TS

(B)=

(C)=

(D)=

(E)=

(F)=

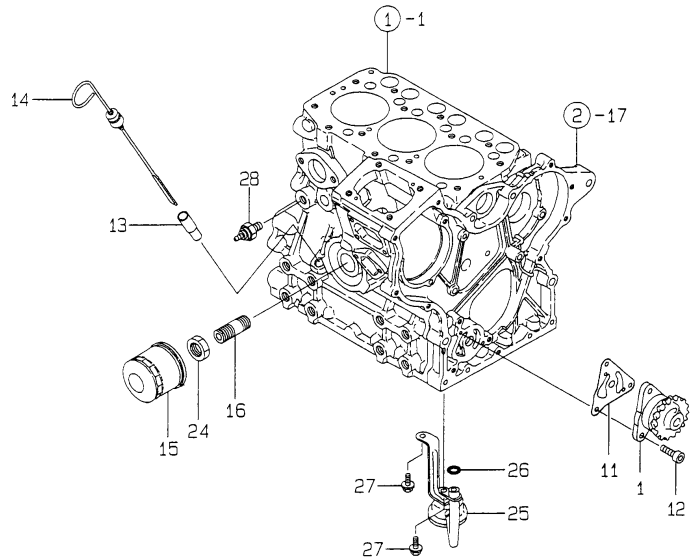
No.	Lev.	Parts No.	Description	Q'ty						I	R
				(A)	(B)	(C)	(D)	(E)	(F)		
1	1	119265-21700	CRANKSHAFT ASSY	1							
2	2	129100-01580	PIN, M8X16	1							
5	2	119260-21200	GEAR, CRANKSHAFT	1							
6	2	22512-040120	KEY, 4X 12	1							
8	1	119244-21650	V-PULLEY	1							
9	1	119621-21680	BOLT, FLANGE 12X1.25	1							
10	1	119620-21941	WASHER	1							
11	1	121111-21501	BOLT, FLYWHEEL	5							
12	1	119644-21590	FLYWHEEL ASSY	1							
15	2	119865-21600	GEAR, RING	1							
16	1	119265-22601	PISTON ASSY	3							
18	2	119265-22500	RING SET, PISTON	3							
24	1	119265-22300	PIN, PISTON	3							
25	1	22252-000200	RING, 20	6							
26	1	119265-23100	ROD ASSY, CONNECTING	3							
30	2	119260-23910	BEARING, PISTON PIN	3							1
31	2	119265-23200	BOLT, CONNECTING ROD	6							
32	2	719260-23600	BEARING, CRANK PIN	3							
34	1	719265-22900	PISTON ASSY, 0.25 OS	3							2
36	2	719265-22950	RING SET, 0.25 OS	3							2
40	1	719260-23610	BEARING ASSY, 0.25	3							3

Remarks

- (1) REPAIR PART.
- (2) OVER-SIZE(O.S=0.25)PART.
- (3) UNDER-SIZE(U.S=0.25)PART.

# Fig.9. LUB.OIL SYSTEM

Y0006110  
3TNE68-TS



(A)=3TNE68-TS

(B)=

(C)=

(D)=

(E)=

(F)=

No.	Lev.	Parts No.	Description	Q'ty						I	R
				(A)	(B)	(C)	(D)	(E)	(F)		
1	1	119260-32000	PUMP ASSY, OIL	1							
11	1	119660-32020	GASKET, PUMP	1							
12	1	26450-060202	BOLT, M6X 20	3							
13	1	121520-34810	GUIDE, DIPSTICK	1							
14	1	119265-34820	DIPSTICK, OIL	1							
15	1	119305-35150	FILTER, OIL	1							
16	1	119225-35300	VALVE ASSY	1							
24	1	129150-35350	NUT	1							
25	1	119260-35081	PIPE, OIL INLET	1							
26	1	24311-000120	O-RING, 1AP12.0	1							
27	1	26106-060122	BOLT, M6X 12 PLATED	2							
28	1	124160-39450	SWITCH, 0.5KG	1							

Fig.10. COOLING WATER SYSTEM

(A)=3TNE68-TS

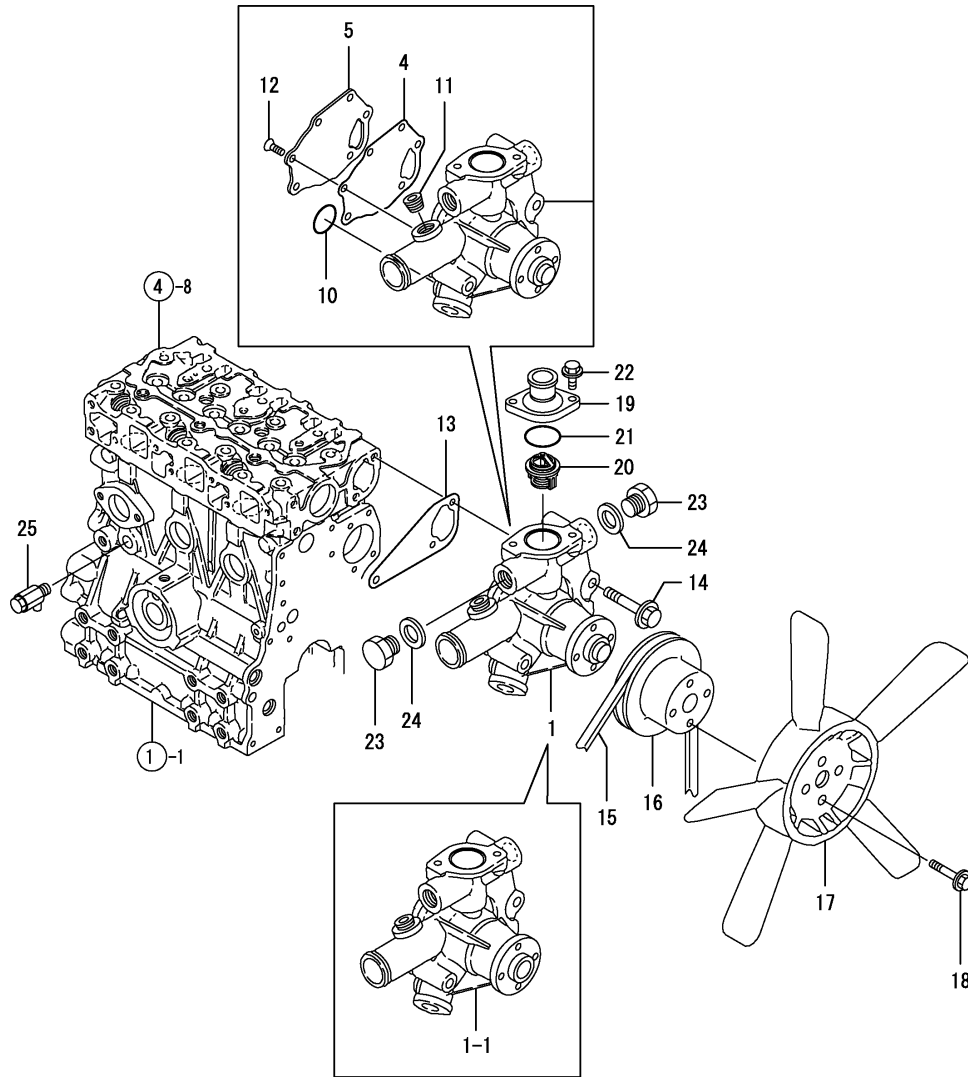
(B)=

(C)=

(D)=

(E)=

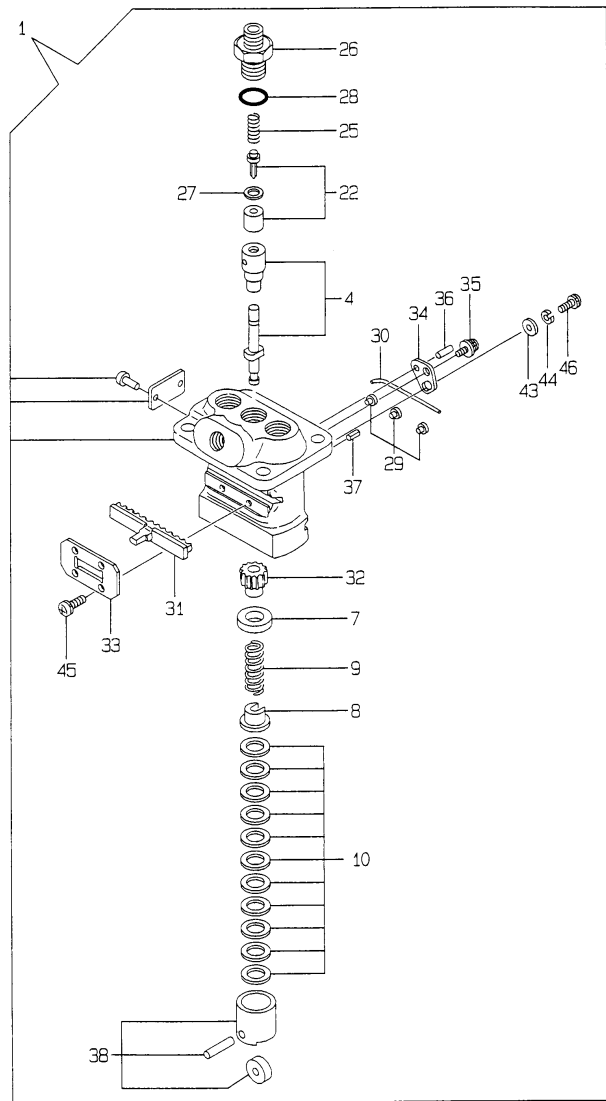
(F)=



No.	Lev.	Parts No.	Description	Q'ty						I	R
				(A)	(B)	(C)	(D)	(E)	(F)		
1	1	119244-42001	PUMP ASSY, WATER	1							
1-1	1	119233-42000	PUMP ASSY, WATER	1							N
(A=ED6046)											
4	2	119260-42050	GASKET, WATER PUMP	1							
4-1	2	119285-42051	GASKET, WATER PUMP	1							N
(A=ED6046)											
5	2	119260-42120	PLATE	1							
5-1	2	119285-42120	PLATE	1							N
(A=ED6046)											
10	2	119225-42320	O-RING	1							
10-1	2	119209-42320	O-RING, P21 EPDM	1							N
(A=ED6046)											
11	2	23871-030000	PLUG, R03	1							
11-1	2	129916-49740	PLUG, R03	1							N
(A=ED6046)											
12	2	26577-060122	SCREW, M6X12	3							
13	1	119260-42020	GASKET, WATER PUMP	1							
14	1	26106-080452	BOLT, M8X 45 PLATED	3							
15	1	119650-42291	V-BELT, 35	1							
16	1	119620-42350	V-PULLEY	1							
17	1	121023-44740	FAN, COOLING	1							
18	1	26014-060352	BOLT, M6X 35	4							
19	1	119260-49530	COVER, THERMOSTAT	1							
20	1	119260-49800	THERMOSTAT, 71	1							
21	1	24321-000350	O-RING, 1AG35.0	1							
22	1	26106-060182	BOLT, M6X 18 PLATED	2							
23	1	121450-42450	PLUG, M16	2							
24	1	124465-44950	GASKET, 16	2							
25	1	119620-49290	COCK ASSY, 1/4	1							

# Fig.11. FUEL INJECTION PUMP

Y00D6110  
3TNE68-TS



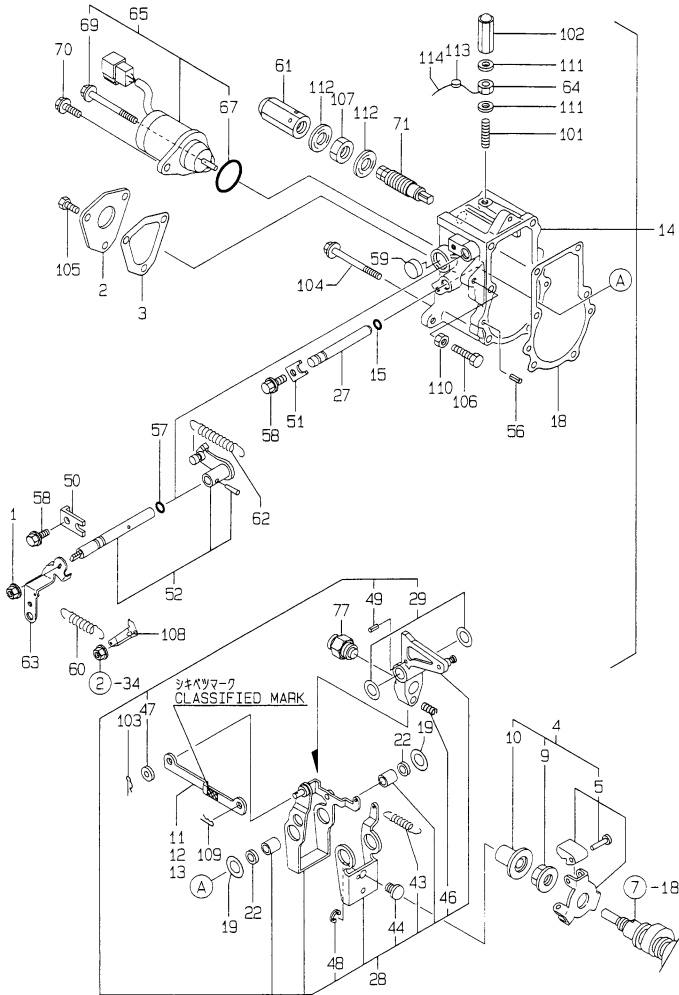
(A)=3TNE68-TS  
(B)=  
(C)=

(D)=  
(E)=  
(F)=

No.	Lev.	Parts No.	Description	Q'ty						I	R
				(A)	(B)	(C)	(D)	(E)	(F)		
1	1	719225-51100	PUMP ASSY, INJECTION	1							
4	2	119225-51100	PLUNGER ASSY	3							
7	2	119620-51170	RETAINER, SPRING A	3							
8	2	119620-51180	RETAINER, SPRING B	3							
9	2	119620-51190	SPRING, PLUNGER	3							
10	2	119620-51250	SHIM SET	3							
22	2	119225-51300	VALVE ASSY, DELIVERY	3							
25	2	105546-51330	SPRING, DELIVERY	3							
26	2	119620-51340	HOLDER, DELIVERY	3							
27	2	119620-51350	GASKET	3							
28	2	119620-51370	O-RING	3							
29	2	119620-51450	PIECE	3							
30	2	119620-51461	PIN	1							
31	2	119660-51500	RACK, CONTROL	1							
32	2	119620-51510	PINION	3							
33	2	119660-51530	RETAINER, RACK	1							
34	2	119620-51650	PLATE	2							
35	2	119620-51660	SCREW	2							
36	2	119620-51670	PIN	2							
37	2	119620-51680	PIN	1							
38	2	119620-51700	TAPPET ASSY	3							
43	2	22137-040000	WASHER, 4	2							
44	2	22217-040000	WASHER, SPRING 4	2							
45	2	26022-040082	SCREW, M4X 8	4							
46	2	26587-040102	SCREW, M4X10	2							

Fig.12. GOVERNOR

Y00D6110  
37NE68-TS



Remarks  
(1) SELECTIVE PARTS: CERTAIN THE CLASSIFICATION MARK, THEN PLACE YOUR ORDER.(REFER TO ILLUSTRATION ).

(A)=3TNE68-TS

(B)=

(C)=

(D)=

(E)=

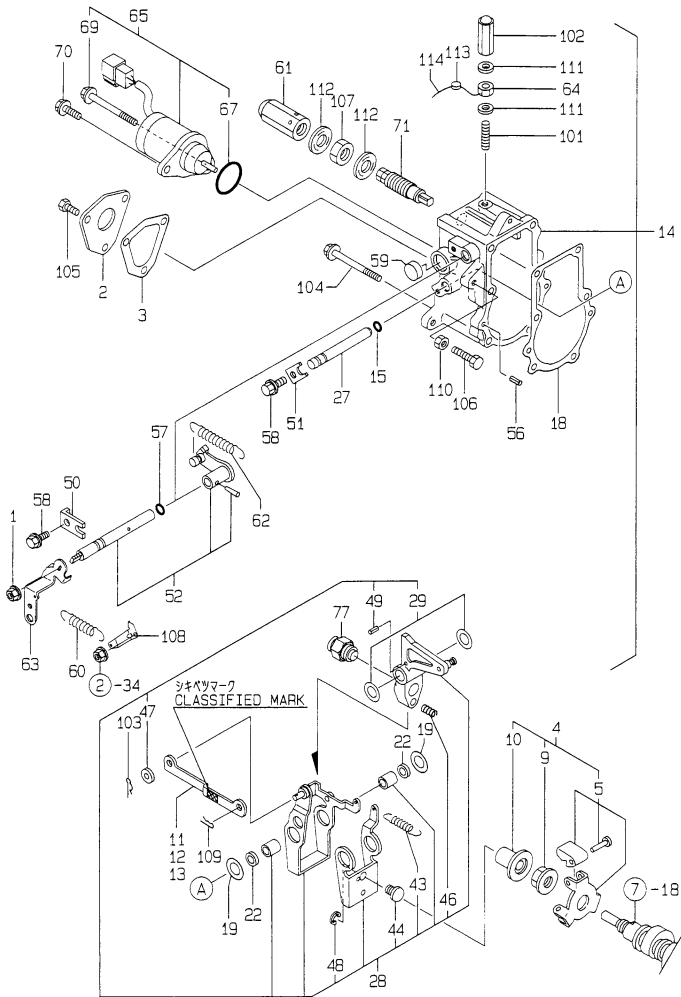
(F)=

No.	Lev.	Parts No.	Description	Q'ty						I	R
				(A)	(B)	(C)	(D)	(E)	(F)		
1	1	194990-22050	NUT, M8	1							
2	1	119660-61060	COVER, GOVERNOR CASE	1							
3	1	119660-61071	GASKET	1							
4	1	119600-61100	DRIVE ASSY	1							
5	2	119600-61200	WEIGHT ASSY,GOVERNOR	1							
9	2	119660-61300	NUT	1							
10	2	119660-61341	SLEEVE	1							
11	1	119660-61121	LINK, NO MARK	1							1
12	1	119660-61140	LINK, MARK :2	1							1
13	1	119660-61150	LINK, MARK :3	1							1
14	1	119632-61200	CASE ASSY, GOVERNOR	1							
15	2	129155-51280	O-RING, S6	1							
18	2	119660-61052	GASKET	1							
19	2	119660-61460	SHIM SET	1							
22	2	129155-61480	SPACER ASSY	2							
27	2	119660-61491	SHAFT	1							
28	2	119232-61510	LEVER ASSY, GOVERNOR	1							
29	3	174307-51700	SHIM SET	2							
43	3	119232-61540	SPRING	1							
44	3	119600-61541	SHIFTER	1							
46	3	119660-61651	SPRING, STARTING	1							
47	3	22117-040000	WASHER, 4	1							
48	3	22272-000040	RING, E- 4	1							
49	3	22351-030014	PIN, SPRING 3.0X14	1							
50	2	119600-61900	RETAINER, SHAFT	1							
51	2	119660-61901	RETAINER, SHAFT	1							
52	2	119285-66080	SHAFT ASSY	1							
56	2	22351-040010	PIN, SPRING 4.0X10	2							
57	2	24341-000070	O-RING, 1AS7.0	1							
58	2	26106-060102	BOLT, M6X 10 PLATED	2							
59	1	119640-61400	PLUG	1							
60	1	119840-61870	SPRING	1							
61	1	26687-120002	NUT, CAP M12	1							
62	1	119621-66021	SPRING, REGULATOR	1							
63	1	119640-66051	HANDLE, REGULATOR	1							
64	1	124550-66370	NUT, M6	1							
65	1	119233-66511	STOPPER ASSY	1							
67	2	24341-000280	O-RING, 1AS28.0	1							
69	2	26106-060952	BOLT, M6X 95 PLATED	1							
70	1	121465-59950	BOLT, M6X16	1							
71	1	119600-66530	LIMITER ASSY, FUEL	1							
77	1	119654-66700	ANGLEICH ASSY	1							
101	1	121575-66830	SCREW	1							
102	1	119600-66840	NUT, CAP	1							
103	1	22360-040000	PIN, SNAP 4	1							
104	1	26106-060702	BOLT, M6X 70 PLATED	5							
105	1	26116-050102	BOLT, M5X 10 PLATED	3							
106	1	26116-060304	BOLT, M6X 30 PLATED	1							
107	1	26776-120002	NUT, LOCK M12	1							
108	1	119656-66910	HOOK	1							
109	1	22360-060000	PIN, SNAP 6	1							



# Fig.12. GOVERNOR

Y00D6110  
37NE68-TS



(A)=3TNE68-TS  
(B)=  
(C)=

(D)=  
(E)=  
(F)=

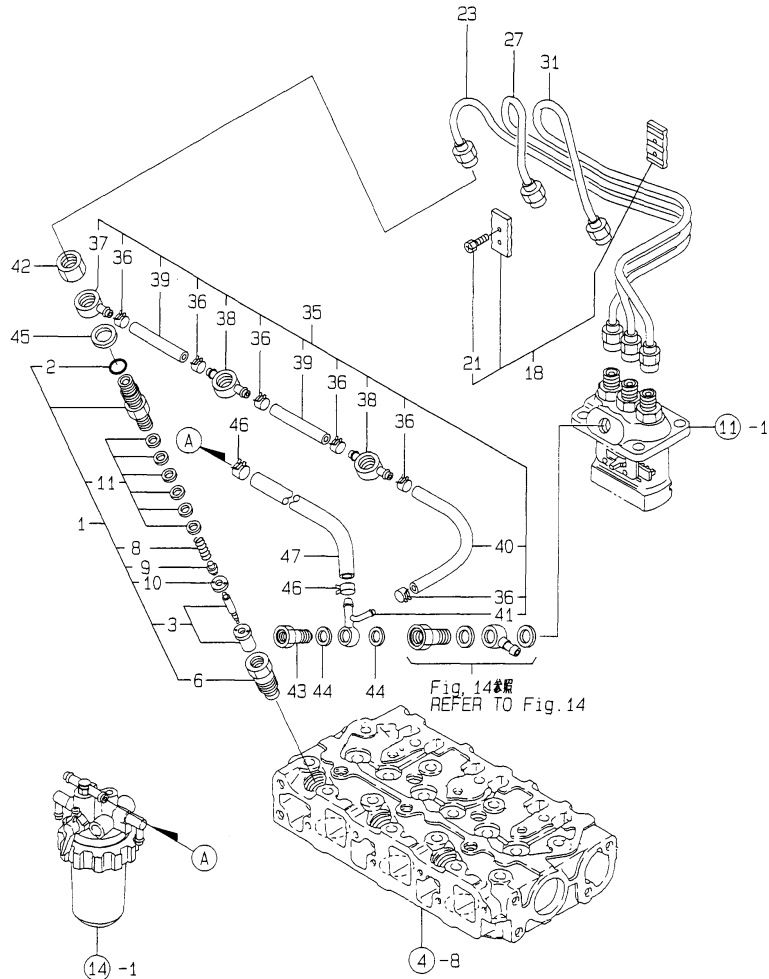
No.	Lev.	Parts No.	Description	Q'ty						I	R
				(A)	(B)	(C)	(D)	(E)	(F)		
110	1	26756-060002	NUT, LOCK M6	1							
111	1	22190-060003	SEAL WASER 6	2							
112	1	22190-120002	WASHER, SEAL 12	2							
113	1	135210-61090	LEAD	1							
114	1	22451-060000	WIRE, 0.6	1							

**Remarks**

(1) SELECTIVE PARTS: CERTAIN THE CLASSIFICATION MARK, THEN PLACE YOUR ORDER.(REFER TO ILLUSTRATION ).

# Fig.13. FUEL INJECTION VALVE

Y0006110  
37NE68-TS



(A)=3TNE68-TS

(B)=

(C)=

(D)=

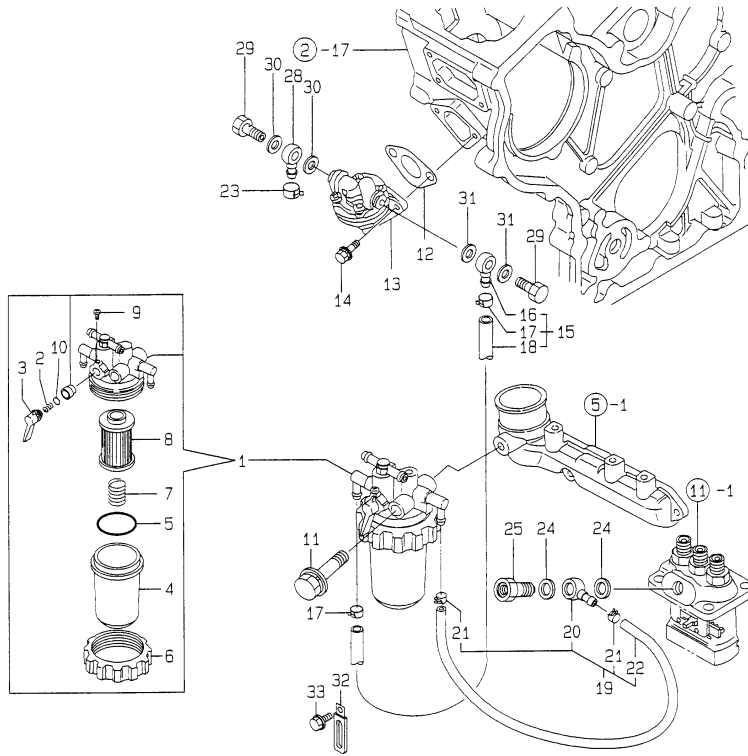
(E)=

(F)=

No.	Lev.	Parts No.	Description	Q'ty						I	R
				(A)	(B)	(C)	(D)	(E)	(F)		
1	1	719620-53700	VALVE ASSY,INJECTION	3							
2	2	129155-61830	O-RING, S10	3							
3	2	119620-53000	VALVE ASSY,INJECTION	3							
6	2	119620-53080	NUT, NOZZLE	3							
8	2	119620-53120	SPRING, NOZZLE	3							
9	2	114250-53130	SEAT, SPRING	3							
10	2	119620-53140	SPACER, VALVE STOP	3							
11	2	114250-53400	SHIM SET	3							
18	1	129150-59120	RETAINER, PIPE	1							
21	2	129150-59131	BOLT, M4X14	2							
23	1	119209-59810	PIPE ASSY, INJECTION	1							
27	1	119209-59820	PIPE ASSY, INJECTION	1							
31	1	119209-59830	PIPE ASSY, INJECTION	1							
35	1	119642-59540	PIPE ASSY, RETURN	1							
36	2	124066-59100	CLIP, HOSE 8	6							
37	2	119260-59520	JOINT	1							
38	2	119260-59530	JOINT	2							
39	2	105025-59550	PIPE, FUEL RETURN	2							
40	2	119642-59550	PIPE, FUEL RETURN	1							
41	2	119642-59570	JOINT, OVER FLOW	1							
42	1	119620-59700	NUT, NOZZLE	3							
43	1	124550-59820	BOLT, PIPE JOINT M8	1							
44	1	23414-080012	GASKET, 8X1.0	2							
45	1	23414-140000	GASKET, 14X1.0	3							
46	1	124766-59050	CLIP, HOSE 12	2							
47	1	119225-59560	PIPE, FUEL	1							

Fig.14. FUEL LINE

Y00D6110  
3TNE68-TS



(A)=3TNE68-TS

(B)=

(C)=

(D)=

(E)=

(F)=

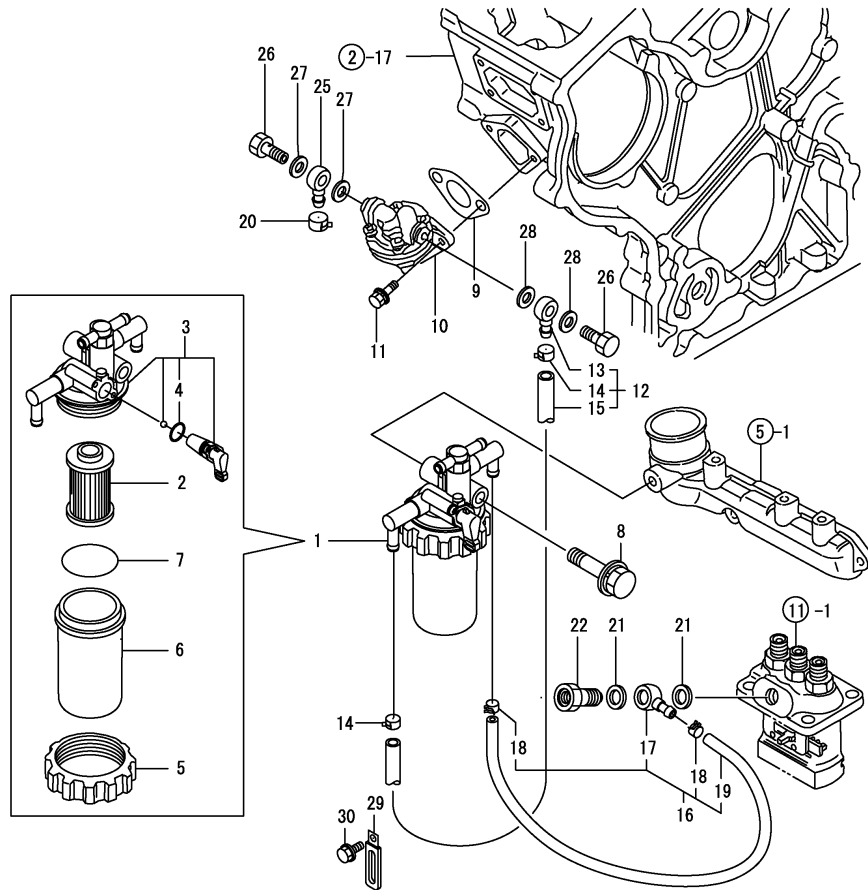
No.	Lev.	Parts No.	Description	Q'ty						I	R
				(A)	(B)	(C)	(D)	(E)	(F)		
1	1	119255-55620	FILTER ASSY, FUEL	1							
2	2	104200-55330	SPRING, VALVE	1							
3	2	119810-55340	LEVER	1							
4	2	121254-55510	COVER	1							
5	2	102103-55520	O-RING	1							
6	2	110250-55610	RING, RETAINING	1							
7	2	121250-55620	SPRING	1							
8	2	124550-55700	FILTER, FUEL L=90	1							
9	2	104200-55750	SCREW, M4	1							
10	2	24311-240100	O-RING, 1AP10A	1							
11	1	26014-080702	BOLT, M8X 70	1							
12	1	121520-01851	GASKET	1							
13	1	119600-52021	PUMP ASSY, FUEL FEED	1							
14	1	26106-060162	BOLT, M6X 16 PLATED	2							
15	1	119244-59020	PIPE ASSY, FUEL	1							
16	2	104264-59030	JOINT, PIPE 8	1							
17	2	124766-59050	CLIP, HOSE 12	2							
18	2	121522-59100	PIPE, FUEL D12X500	1							
19	1	119230-59031	PIPE ASSY, FUEL	1							
20	2	101304-59020	JOINT, PIPE 12	1							
21	2	124766-59050	CLIP, HOSE 12	2							
22	2	119230-59080	PIPE, FUEL D12X185	1							
23	1	124766-59050	CLIP, HOSE 12	1							
24	1	104200-59170	GASKET, 12	2							
25	1	119462-59190	BOLT ASSY, JOINT	1							
28	1	104264-59030	JOINT, PIPE 8	1							
29	1	105582-59150	BOLT, PIPE JOINT	2							
30	1	22190-080002	WASHER, SEAL 6	2							
31	1	22190-080002	WASHER, SEAL 6	2							
32	1	194180-51640	CLAMP, HARNESS	1							
33	1	26106-100122	BOLT, M10X 12 PLATED	1							

Remarks

\*This item is applicable to [(A)=EXXXXX-1] or previous machines. Refer to Fig.18.

Fig.18. (14A)FUEL LINE

Y00D6110  
3TNE68-TS



(A)=3TNE68-TS

(B)=

(C)=

(D)=

(E)=

(F)=

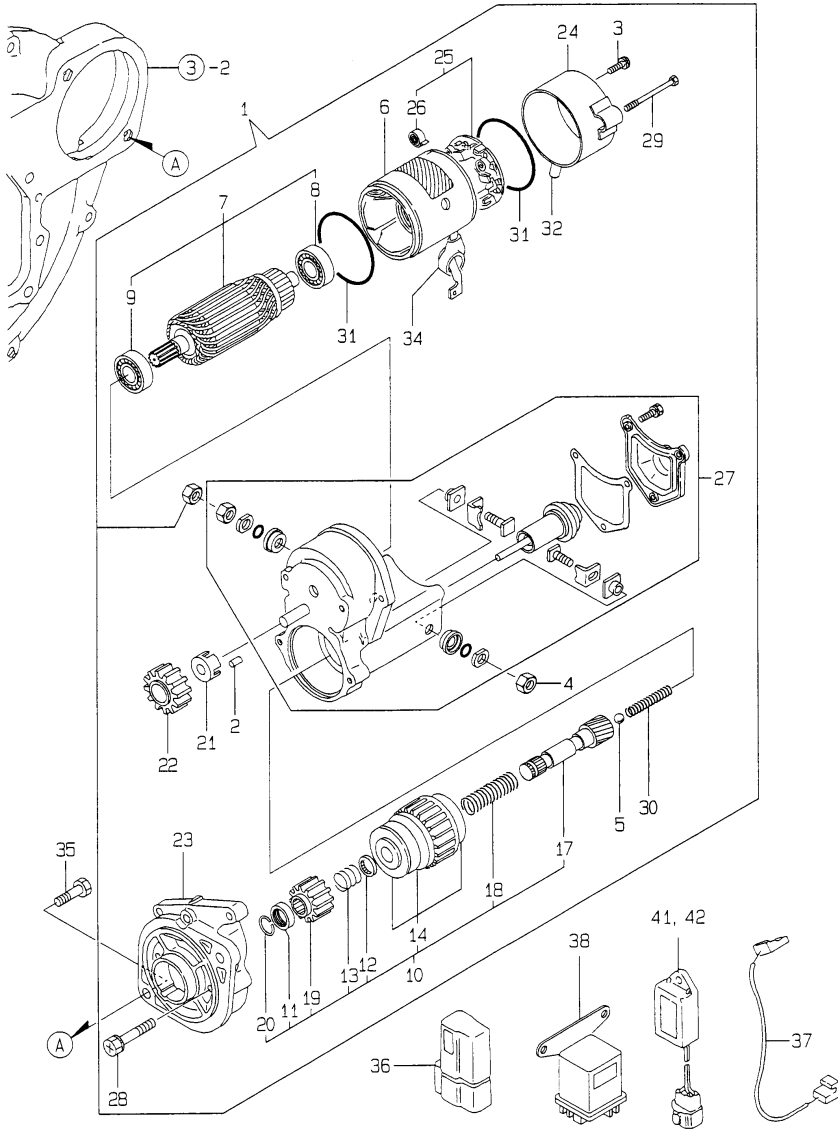
No.	Lev.	Parts No.	Description	Qty						I	R
				(A)	(B)	(C)	(D)	(E)	(F)		
1	1	119255-55630	FILTER ASSY, FUEL	1							
2	2	119255-55640	ELEMENT, FUEL	1							
3	2	119833-55640	BODY ASSY, FILTER	1							
4	3	24311-000110	O-RING, 1AP11.0	1							
5	2	119833-55660	RING, RETAINING	1							
6	2	119833-55670	BOWL, STRAINER	1							
7	2	24311-000440	O-RING, 1AP44.0	1							
8	1	26014-080702	BOLT, M8X 70	1							
9	1	121520-01851	GASKET	1							
10	1	119600-52021	PUMP ASSY, FUEL FEED	1							
11	1	26106-060162	BOLT, M6X 16 PLATED	2							
12	1	119244-59020	PIPE ASSY, FUEL	1							
13	2	104264-59030	JOINT, PIPE 8	1							
14	2	124766-59050	CLIP, HOSE 12	2							
15	2	121522-59100	PIPE, FUEL D12X500	1							
16	1	119230-59031	PIPE ASSY, FUEL	1							
17	2	101304-59020	JOINT, PIPE 12	1							
18	2	124766-59050	CLIP, HOSE 12	2							
19	2	119230-59080	PIPE, FUEL D12X185	1							
20	1	124766-59050	CLIP, HOSE 12	1							
21	1	104200-59170	GASKET, 12	2							
22	1	119462-59190	BOLT ASSY, JOINT	1							
25	1	104264-59030	JOINT, PIPE 8	1							
26	1	105582-59150	BOLT, PIPE JOINT	2							
27	1	22190-080002	WASHER, SEAL 6	2							
28	1	22190-080002	WASHER, SEAL 6	2							
29	1	194180-51640	CLAMP, HARNESS	1							
30	1	26106-100122	BOLT, M10X 12 PLATED	1							

Remarks

\*This item is applicable to [(A)=EXXXXX] or following machines. Refer to Fig.14.

Fig.15. STARTING MOTOR

Y00D6110  
3TNE68-TS



(A)=3TNE68-TS

(B)=

(C)=

(D)=

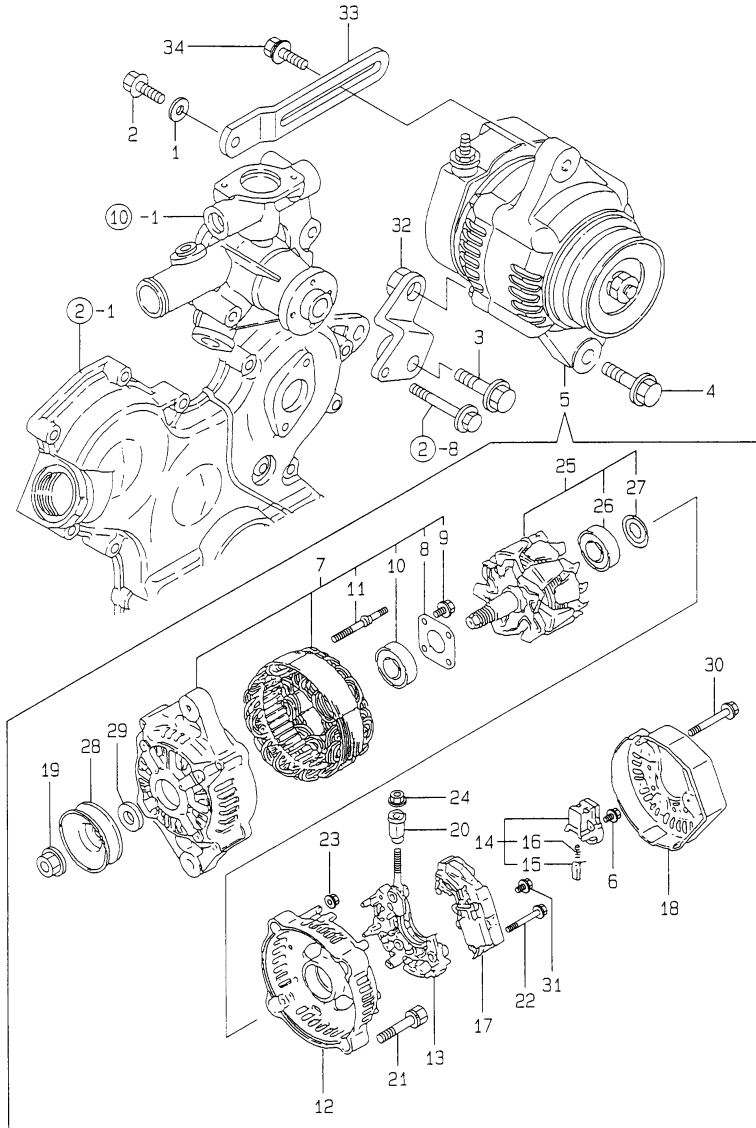
(E)=

(F)=

No.	Lev.	Parts No.	Description	Q'ty						I	R
				(A)	(B)	(C)	(D)	(E)	(F)		
1	1	119641-77011	STARTER, RA1.4	1							
2	2	X0283060061	ROLLER	5							
3	2	X0289030010	SCREW	2							
4	2	X9490561370	NUT	1							
5	2	X9491200240	BALL	1							
6	2	129407-77210	YOKE ASSY	1							
7	2	129407-77220	ARMATURE ASSY	1							
8	3	129129-77230	BEARING	1							
9	3	129129-77240	BEARING	1							
10	2	119641-77250	STARTER	1							
11	3	X0280210230	NUT	1							
12	3	X0283270140	RETAINER	1							
13	3	X9491703371	SPRING, COIL	1							
14	3	129129-77390	CLUTCH ASSY	1							
17	3	129129-77400	SHAFT	1							
18	3	129129-77410	SPRING, COIL	1							
19	3	X0283715640	PINION	1							
20	3	129129-77430	RING	1							
21	2	129129-77260	RETAINER	1							
22	2	129129-77270	PINION	1							
23	2	121120-77280	HOUSING	1							
24	2	129129-77290	FRAME	1							
25	2	129407-77300	HOLDER ASSY	1							
26	3	X9491730461	SPRING	4							
27	2	129407-77310	SWITCH ASSY	1							
28	2	129129-77320	BOLT	2							
29	2	129407-77330	BOLT	2							
30	2	129129-77340	SPRING	1							
31	2	129129-77350	O-RING	2							
32	2	129129-77361	BUSH	1							
34	2	129129-77380	CAP	1							
35	1	26116-120252	BOLT, M12X 25 PLATED	2							
36	1	119643-66900	DIODE	1							
37	1	119006-77900	CONNECTOR, STARTER	1							
38	1	119650-77910	RELAY ASSY, GLOW	1							
41	1	119632-77920	TIMER	1							
42	1	128300-77920	TIMER	1							

Fig.16. GENERATOR

Y00D6110  
3TNE68-TS



(A)=3TNE68-TS

(B)=

(C)=

(D)=

(E)=

(F)=

No.	Lev.	Parts No.	Description	Q'ty						I	R
				(A)	(B)	(C)	(D)	(E)	(F)		
1	1	22137-080000	WASHER, 8	1							
2	1	26106-080202	BOLT, M8X 20 PLATED	1							
3	1	26106-100402	BOLT, M10X 40 PLATED	1							
4	1	26106-100402	BOLT, M10X 40 PLATED	1							
5	1	128400-77200	GENERATOR, 12V-40A	1							
6	2	X9490065460	SCREW	6							
7	2	X0214005710	FRAME	1							
8	3	X0214110500	RETAINER	1							
9	3	X9490065200	SCREW	4							
10	3	X9491002950	BEARING, BALL	1							
11	3	X9490432120	STUD	2							
12	2	X0215015280	FRAME	1							
13	2	X0215803080	HOLDER	1							
14	2	X0216202190	HOLDER, BRUSH	1							
15	3	X0216600390	BRUSH	2							
16	3	X9491706990	SPRING	2							
17	2	X1260000600	REGULATOR	1							
18	2	X0215511130	COVER	1							
19	2	X9490562520	NUT	1							
20	2	X0216051700	BUSH	1							
21	2	X9490473410	BOLT	2							
22	2	X9131004251	SCREW	2							
23	2	X9490562480	NUT, M5	2							
24	2	X9490561001	NUT	1							
25	2	X0212003520	ROTOR ASSY	1							
26	3	X9491003670	BEARING, BALL	1							
27	3	X0215060070	COVER, BEARING	1							
28	2	X0210415670	PULLEY	1							
29	2	X0210450600	COLLAR	1							
30	2	X9490462040	BOLT	3							
31	2	X9490065470	SCREW	1							
32	1	119244-77450	BRACKET, GENERATOR	1							
33	1	121521-77330	ADJUSTER	1							
34	1	26014-080252	BOLT, M8X 25	1							

Fig.17. GASKET SET

(A)=3TNE68-TS

(B)=

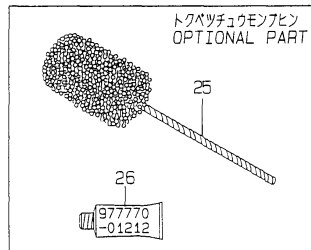
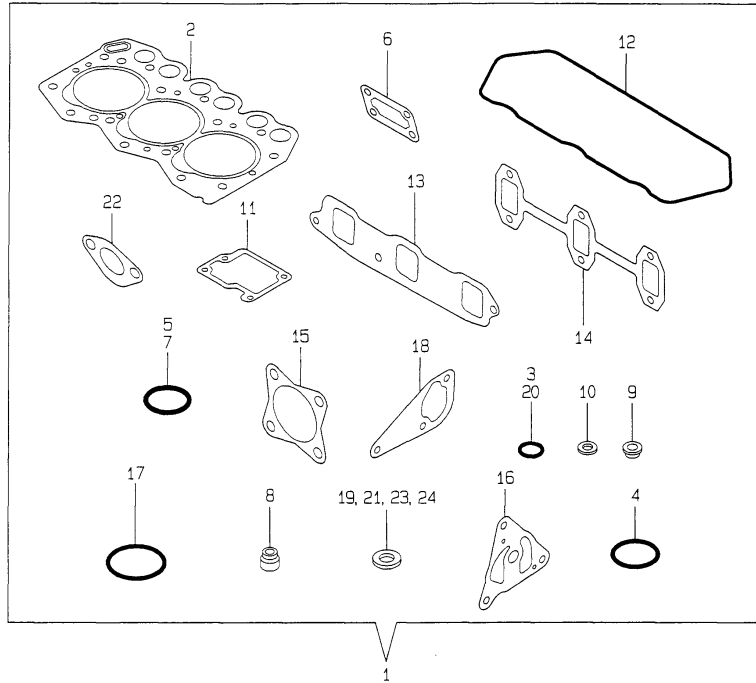
(C)=

(D)=

(E)=

(F)=

Y00D6110  
3TNE68-TS



No.	Lev.	Parts No.	Description	Q'ty						I	R
				(A)	(B)	(C)	(D)	(E)	(F)		
1	1	719265-92690	GASKET SET	1							1
2	2	119265-01341	GASKET, HEAD	1							
3	2	24311-000120	O-RING, 1AP12.0	5							
4	2	24311-000320	O-RING, 1AP32.0	2							
5	2	24341-000240	O-RING, 1AS24.0	1							
6	2	119660-01562	GASKET	1							
7	2	24311-000180	O-RING, 1AP18.0	1							
8	2	119260-11340	SEAL, VALVE STEM	6							
9	2	119600-11450	PROTECTOR, NOZZLE	3							
10	2	119600-11460	GASKET, NOZZLE	6							
11	2	119260-03031	GASKET	1							
12	2	119260-11310	GASKET, BONNET	1							
13	2	119270-12110	GASKET, MANIFOLD	1							
14	2	119260-13110	GASKET	1							
15	2	121000-13201	GASKET, SILENCER	1							
16	2	119660-32020	GASKET, PUMP	1							
17	2	24321-000350	O-RING, 1AG35.0	1							
18	2	119260-42020	GASKET, WATER PUMP	1							
19	2	124465-44950	GASKET, 16	2							
20	2	129155-61830	O-RING, S10	3							
21	2	23414-140000	GASKET, 14X1.0	3							
22	2	121520-01851	GASKET	1							
23	2	104200-59170	GASKET, 12	2							
24	2	23414-080012	GASKET, 8X1.0	2							
25	1	129400-92400	HONE	1							1
26	1	977770-01212	GASKET, LIQUID	1							1

Remarks  
(1) OPTIONAL PART.

## Parts No. Index

Parts No.	Fig. No.	Ref. No.
101304-59020	14	20
	18	17
102103-55520	14	5
104200-55330	14	2
104200-55750	14	9
104200-59170	14	24
	17	23
	18	21
104264-59030	14	16
		28
	18	13
		25
105010-11230	4	37
		41
105025-59550	13	39
105546-51330	11	25
105582-59150	14	29
	18	26
110250-55610	14	6
114250-11120	4	20
114250-11180	4	21
114250-53130	13	9
114250-53400	13	11
119006-77900	15	37
119209-42320	10	10 -1
119209-59810	13	23
119209-59820	13	27
119209-59830	13	31
119225-14200	7	18
119225-35300	9	16
119225-42320	10	10
119225-51100	11	4
119225-51300	11	22
119225-59560	13	47
119230-59031	14	19
	18	16
119230-59080	14	22
	18	19
119232-61510	12	28
119232-61540	12	43
119233-42000	10	1 -1
119233-66511	12	65
119244-03200	4	1
119244-21650	8	8
119244-42001	10	1
119244-59020	14	15
	18	12
119244-77450	16	32
119255-55620	14	1
119255-55630	18	1

Parts No.	Fig. No.	Ref. No.
119255-55640	18	2
119260-01200	1	23
119260-01490	2	17
119260-01510	2	20
119260-01590	2	1
119260-01770	3	12
119260-02020	1	6
119260-02410	1	16
119260-03020	4	51
119260-03031	4	52
	17	11
119260-07900	4	5
119260-11100	4	18
119260-11110	4	19
119260-11200	4	28
119260-11240	4	29
119260-11260	4	32
119260-11270	4	34
119260-11280	4	35
119260-11310	4	55
	17	12
119260-11340	4	24
	17	8
119260-11370	4	25
119260-11800	4	13
119260-13100	6	1
119260-13110	6	2
	17	14
119260-14100	7	7
119260-14200	7	1
119260-14400	7	2
119260-14580	7	3
119260-21200	8	5
119260-23910	8	30
119260-25100	7	11
119260-32000	9	1
119260-35081	9	25
119260-42020	10	13
	17	18
119260-42050	10	4
119260-42120	10	5
119260-49530	10	19
119260-49800	10	20
119260-59520	13	37
119260-59530	13	38
119265-01341	1	24
	17	2
119265-11260	4	33
119265-11700	4	8
119265-21700	8	1

Parts No.	Fig. No.	Ref. No.
119265-22300	8	24
119265-22500	8	18
119265-22601	8	16
119265-23100	8	26
119265-23200	8	31
119265-34820	9	14
119270-12100	5	1
119270-12110	5	2
	17	13
119285-42051	10	4 -1
119285-42120	10	5 -1
119285-66080	12	52
119305-35150	9	15
119454-01721	3	10
119462-59190	14	25
	18	22
119600-11450	4	26
	17	9
119600-11460	4	27
	17	10
119600-52021	14	13
	18	10
119600-61100	12	4
119600-61200	12	5
119600-61541	12	44
119600-61900	12	50
119600-66530	12	71
119600-66840	12	102
119620-01620	3	5
119620-01800	2	4
119620-02450	7	4
119620-11350	4	45
119620-11390	4	56
119620-21941	8	10
119620-25912	7	13
119620-42350	10	16
119620-49290	10	25
119620-51170	11	7
119620-51180	11	8
119620-51190	11	9
119620-51250	11	10
119620-51340	11	26
119620-51350	11	27
119620-51370	11	28
119620-51450	11	29
119620-51461	11	30
119620-51510	11	32
119620-51650	11	34
119620-51660	11	35
119620-51670	11	36

Parts No.	Fig. No.	Ref. No.
119620-51680	11	37
119620-51700	11	38
119620-53000	13	3
119620-53080	13	6
119620-53120	13	8
119620-53140	13	10
119620-59700	13	42
119620-77820	4	62
119621-21680	8	9
119621-66021	12	62
119623-01950	2	26
119632-61200	12	14
119632-77920	15	41
119640-61400	12	59
119640-66051	12	63
119641-77011	15	1
119641-77250	15	10
119642-59540	13	35
119642-59550	13	40
119642-59570	13	41
119643-66900	15	36
119644-21590	8	12
119645-01600	3	2
119650-42291	10	15
119650-77910	15	38
119654-66700	12	77
119656-66910	12	108
119660-01551	2	23
119660-01562	2	24
	17	6
119660-01570	2	25
119660-01640	3	6
119660-01821	7	17
119660-01911	2	5
119660-25022	7	9
119660-25052	7	10
119660-32020	9	11
	17	16
119660-51500	11	31
119660-51530	11	33
119660-61052	12	18
119660-61060	12	2
119660-61071	12	3
119660-61121	12	11
119660-61140	12	12
119660-61150	12	13
119660-61300	12	9
119660-61341	12	10
119660-61460	12	19
119660-61491	12	27



## Parts No. Index

Parts No.	Fig. No.	Ref. No.
119660-61651	12	46
119660-61901	12	51
119810-55340	14	3
119833-55640	18	3
119833-55660	18	5
119833-55670	18	6
119840-61870	12	60
119865-21600	8	15
121000-13201	6	7
	17	15
121023-01550	2	14
121023-44740	10	17
121111-21501	8	11
121120-01620	3	3
121120-77280	15	23
121250-55620	14	7
121254-55510	14	4
121400-01640	3	13
121450-01560	2	21
121450-42450	10	23
121465-59950	12	70
121520-01851	14	12
	17	22
	18	9
121520-34810	9	13
121521-77330	16	33
121522-59100	14	18
	18	15
121575-66830	12	101
124060-01050	1	5
124066-59100	13	36
124085-02220	3	8
124160-01751	2	12
	4	50
124160-11360	4	48
124160-39450	9	28
124465-44950	10	24
	17	19
124550-55700	14	8
124550-59820	13	43
124550-66370	12	64
124766-59050	13	46
	14	17
		21
		23
	18	14
		18
		20
128300-77920	15	42
128400-77200	16	5

Parts No.	Fig. No.	Ref. No.
129100-01580	3	1
	8	2
129129-77230	15	8
129129-77240	15	9
129129-77260	15	21
129129-77270	15	22
129129-77290	15	24
129129-77320	15	28
129129-77340	15	30
129129-77350	15	31
129129-77361	15	32
129129-77380	15	34
129129-77390	15	14
129129-77400	15	17
129129-77410	15	18
129129-77430	15	20
129150-35350	9	24
129150-59120	13	18
129150-59131	13	21
129155-51280	12	15
129155-61480	12	22
129155-61830	13	2
	17	20
129400-92400	17	25
129407-77210	15	6
129407-77220	15	7
129407-77300	15	25
129407-77310	15	27
129407-77330	15	29
129795-77800	4	61
129916-49740	10	11 -1
135210-61090	12	113
174307-51700	12	29
194180-51640	14	32
	18	29
194990-22050	2	33
	12	1
22117-040000	12	47
22137-040000	11	43
22137-080000	16	1
22190-060003	12	111
22190-080002	14	30
		31
	18	27
		28
22190-120002	12	112
22217-040000	11	44
22217-050000	4	57
22242-000100	4	44
22242-000200	7	15

Parts No.	Fig. No.	Ref. No.
22252-000200	8	25
22272-000040	12	48
22351-030014	12	49
22351-040010	2	22
	12	56
22351-060012	4	63
22360-040000	12	103
22360-060000	12	109
22451-060000	12	114
22512-040120	7	8
		22
	8	6
23414-080012	13	44
	17	24
23414-140000	13	45
	17	21
23871-030000	4	15
	10	11
24101-062034	7	24
24102-063034	7	23
24311-000110	18	4
24311-000120	2	6
	4	60
	9	26
	17	3
24311-000180	3	15
	17	7
24311-000320	2	13
	4	58
	17	4
24311-000440	18	7
24311-240100	14	10
24321-000350	10	21
	17	17
24341-000070	12	57
24341-000240	2	15
	17	5
24341-000280	12	67
26013-100202	1	29
26014-060352	10	18
26014-080252	16	34
26014-080702	14	11
	18	8
26022-040082	11	45
26106-060102	3	16
	12	58
26106-060122	1	25
	7	16
	9	27
26106-060162	2	7

Parts No.	Fig. No.	Ref. No.
26106-060162	5	3
	7	25
	14	14
	18	11
26106-060182	2	16
	10	22
26106-060222	3	9
26106-060282	5	4
26106-060302	2	36
26106-060352	2	8
	6	3
26106-060402	2	9
26106-060452	3	17
26106-060502	2	10
26106-060652	2	11
26106-060702	12	104
26106-060952	12	69
26106-080142	4	6
		7
26106-080202	16	2
26106-080452	4	46
	10	14
26106-100122	14	33
	18	30
26106-100402	16	3
		4
26106-100852	3	18
26116-050102	12	105
26116-060304	12	106
26116-120252	15	35
26206-100252	3	4
26216-060402	6	4
26216-080222	6	5
26366-060002	2	34
	6	6
26366-080002	4	47
26450-060202	9	12
26557-050102	4	59
26577-060122	10	12
26587-040102	11	46
26587-080102	7	26
26687-120002	12	61
26756-060002	4	39
		43
	12	110
26776-120002	12	107
27221-050080	4	16
27221-060100	1	11
27231-400000	1	12
27241-100000	1	13

## Parts No. Index

Parts No.	Fig. No.	Ref. No.
27241-250000	1	14
27241-300000	1	15
27241-350000	4	17
714250-11570	4	22
719225-51100	11	1
719260-02800	1	17
719260-02870	1	26
719260-02930	1	20
719260-11520	4	49
719260-11650	4	36
719260-11660	4	40
719260-23600	8	32
719260-23610	8	40
719265-01560	1	1
719265-22900	8	34
719265-22950	8	36
719265-92690	17	1
719620-53700	13	1
977770-01212	2	35
	3	19
	17	26
X0210415670	16	28
X0210450600	16	29
X0212003520	16	25
X0214005710	16	7
X0214110500	16	8
X0215015280	16	12
X0215060070	16	27
X0215511130	16	18
X0215803080	16	13
X0216051700	16	20
X0216202190	16	14
X0216600390	16	15
X0280210230	15	11
X0283060061	15	2
X0283270140	15	12
X0283715640	15	19
X0289030010	15	3
X1260000600	16	17
X9131004251	16	22
X9490065200	16	9
X9490065460	16	6
X9490065470	16	31
X9490432120	16	11
X9490462040	16	30
X9490473410	16	21
X9490561001	16	24
X9490561370	15	4
X9490562480	16	23
X9490562520	16	19

Parts No.	Fig. No.	Ref. No.
X9491002950	16	10
X9491003670	16	26
X9491200240	15	5
X9491703371	15	13
X9491706990	16	16
X9491730461	15	26

Parts No.	Fig. No.	Ref. No.
-----------	----------	----------

Parts No.	Fig. No.	Ref. No.
-----------	----------	----------