

OCD10-M60401EN

PREFACE

1. This parts catalog is the 2nd edition of 4TNE88-IKA for IHI Construction Machinery Limited.

Pub.No. : 000Y00D6041

Published : November.,2006

2. Model name

Engine model	Vehicle		Vehicle made by
	Products	Model name	
4TNE88-IKA	Excavator	50Z	IHI Construction Machinery Ltd.

Directions for the Parts Catalog.

1. This Parts Catalog shows both standard and optional parts.
2. Parts may change without prior notice.
3. The following is an example of the Parts Catalog format.

REF.	LEV.	PARTS NO.	DESCRIPTION	Q'TY						I	R
				(A)	(B)	(C)	(D)	(E)	(F)		
1	1	729595-51390	FUEL INJECTION PUMP	1	1	1	1	1			1
1-1	1	729595-51391	FUEL INJECTION PUMP	1	1	1	1	1		N	1
		(A=E00185) (B=E00200)									
3	2	26022-060162	SCREW M 6X 16	9	9	9	9	9			
3-1	2	26022-060162	SCREW M 6X 16	4	4	4	4	4		K	
		(A=E00156) (B=E00156) (C=E00156) (D=E00156) (E=E00156)									
4	2	129470-51040	CAMSHAFT	1	1	1	1	1			
5	2	122710-51050	BEARING, ROLLER	2	2	2	2	2			
6	2	129470-51060	RETAINER	1	1	1	1	1			

Remarks
(1) BOOST COMPEMSATOR TYPE. OPTIONAL PART, TO E00155,(4JH-DT, 4JH-DTZ

① Ref. No.

The Ref. No. listed may not be in accordance with the illustration Ref. No.

(Ex.) Illustration No.

List Ref No.

1

1

(Before change)

1-1

(After change)

For interchangeable symbols N, R and K, illustrations for new parts may be abbreviated.

② Lev. (Level)

Level indication

The numbers below indicate the level of relativity towards the main part.

1 ----- Main parts (Assembly parts)

2 ----- Sub component included in " 1 ".

3 ----- Sub component included in " 2 ".

Note) Parts that are not for sale are partially illustrated but not listed.

③ Interchangeability Symbol

When a part change takes place, one of the following interchangeability symbols is indicated beside the part.

Symbol	Interchangeability	Contents note
N	Old $\begin{matrix} \leftarrow \text{Yes} \\ \text{No} \rightarrow \end{matrix}$ New	New Part is interchangeable for Old Part but Old Part is not interchangeable for New Part.
Q	Old $\begin{matrix} \leftarrow \text{No} \\ \text{Yes} \rightarrow \end{matrix}$ New	New Part is not interchangeable for Old Part but Old Part is interchangeable for New Part.
R	Old $\begin{matrix} \leftarrow \text{Yes} \\ \text{Yes} \rightarrow \end{matrix}$ New	New/ Old Parts are both interchangeable.
S	Old $\begin{matrix} \leftarrow \text{No} \\ \text{No} \rightarrow \end{matrix}$ New	New/ Old Parts are both not interchangeable.
W		Part newly added.
Z		Part discontinued.
F		Not interchangeable by a single part but interchangeable together with related parts.
K		Changes only for used parts quantities.

④ Effective Machine No.

When a part changes, the effective Machine No. will be indicated in the (A)-(F) column.

Product Symbol	Product No.	Product Symbol	Product No.
C	Clutch No. Compressor No.	F	Machine No. (Agricultural Equip.)
D	Drive No.	M	Machine No.
E	Engine No.		

Note 1) A date may follow the symbol. (Ex.) 1996.01

Note 2) "XXXXX" and "ZZZZZ" are for parts that could not be predicted or for engine models that could not be identified.

Note 3) (A=E00185) is the E (Engine Serial Number) for the column (A) model (in this case 4JH-DT) after the parts design change.

⑤ Remarks

Figures or alphabets (symbols) are entered in the remarks column.

The comments (remarks) on parts that are indicated at the bottom of the illustration are the same symbols as those stated above.

Contents

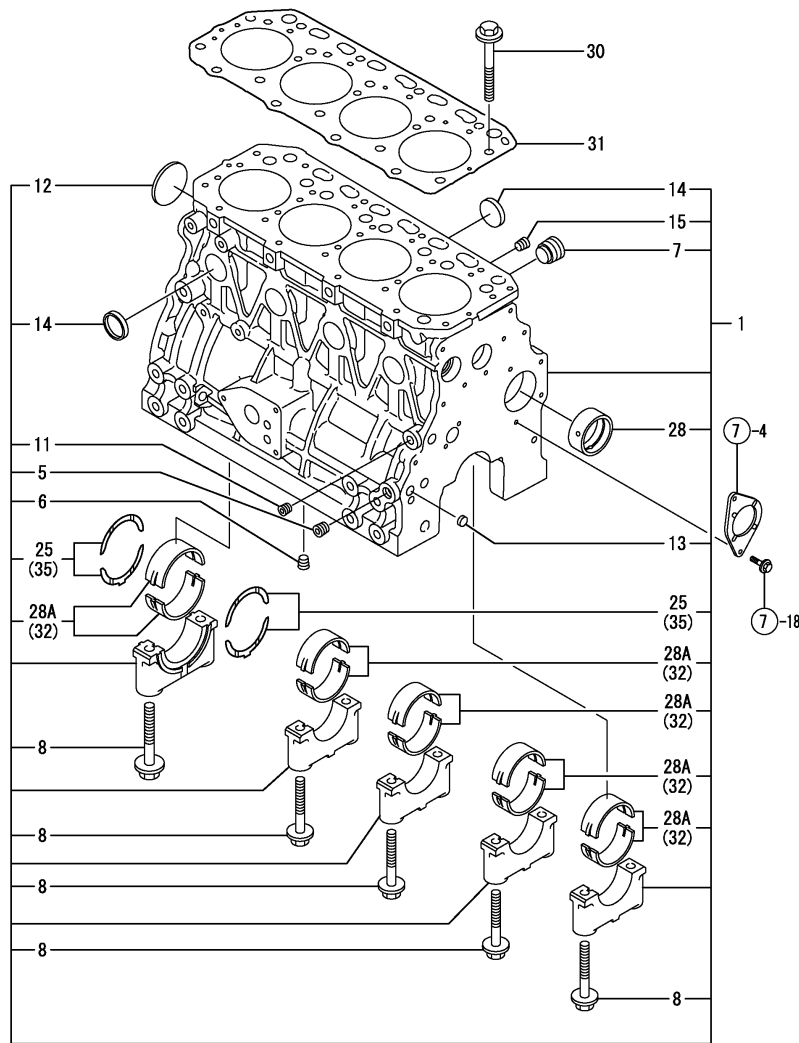
Fig. No. Fig. Name

Fig. No. Fig. Name

ENGINE SECTION

1. CYLINDER BLOCK
2. GEAR HOUSING
3. FLYWHEEL HOUSING & OIL SUMP
4. CYLINDER HEAD & BONNET
5. SUCTION MANIFOLD & AIR CLEANER
6. EXHAUST MANIFOLD & SILENCER
7. CAMSHAFT & DRIVING GEAR
8. CRANKSHAFT & PISTON
9. LUB.OIL SYSYEM
10. COOLING WATER SYSTEM
11. FUEL INJECTION PUMP
12. GOVERNOR
13. FUEL INJECTION VALVE
14. FUEL LINE
15. STARTING MOTOR
16. GENERATOR
17. GASKET SET

Fig.1. CYLINDER BLOCK



(A)=4TNE88-IKA
(B)=
(C)=

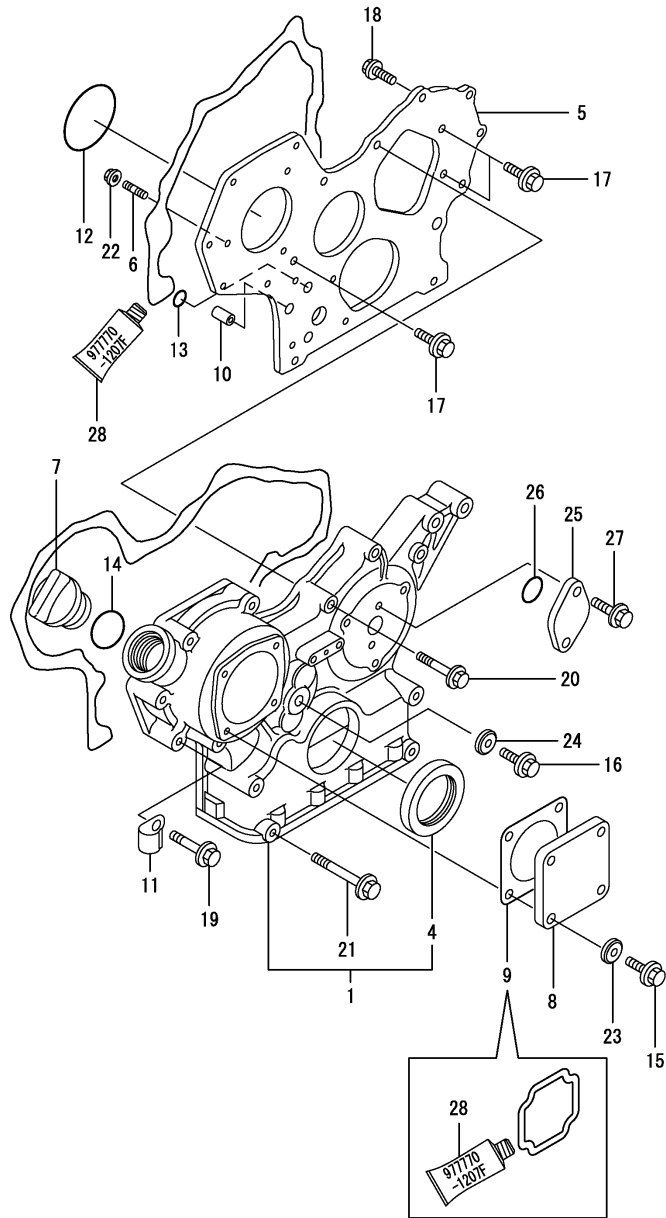
(D)=
(E)=
(F)=

No.	Lev.	Parts No.	Description	Q'ty						I	R
				(A)	(B)	(C)	(D)	(E)	(F)		
1	1	729407-01561	BLOCK ASSY, CYLINDER	1							
5	2	124160-01910	PLUG, PT1/4	2							
6	2	124160-01910	PLUG, PT1/4	1							
7	2	171051-01921	PLUG, NPTF1	1							
8	2	129150-02020	BOLT, METAL CAP	10							
11	2	23871-010000	PLUG, R01	1							
11-1	2	23876-010000	PLUG, R01	1							N
		(A=E43048)									
12	2	27231-500000	PLUG 50	1							
12-1	2	129001-01250	PLUG, 50	1							N
		(A=E46765)									
13	2	27241-120000	PLUG, 12	2							
14	2	27241-300000	PLUG 30	8							
15	2	23871-030000	PLUG, R03	1							
15-1	2	23876-030000	PLUG, R03	1							N
		(A=E43048)									
25	2	129150-02930	BEARING, THRUST	2							
25-1	2	129150-02931	BEARING, THRUST	2							N
		(A=EA1683)									
28	2	129795-02411	BUSH, CAMSHAFT	1							
28-1	2	129795-02412	BUSH, CAMSHAFT	1							N
		(A=EA1683)									
28A	2	129001-02930	BEARING, MAIN	5							3
28A-1	2	129001-02931	BEARING, MAIN	5							N 3
		(A=EA1683)									
30	1	129150-01200	BOLT, HEAD	18							
31	1	129407-01340	GASKET, HEAD	1							
32	1	129150-02870	BEARING, 0.25 US	5							1
32-1	1	129150-02871	BEARING, 0.25 US	5							N 1
		(A=EA1683)									
35	1	129150-02940	BEARING, THRUST 0.25	2							2
35-1	1	129150-02941	BEARING, THRUST 0.25	2							N 2
		(A=EA1683)									

Remarks

- (1) UNDER-SIZED(U.S=0.25)PART.
- (2) OVER-SIZED(O.S=0.25)PART.
- (3) REPAIR PART.

Fig.2. GEAR HOUSING



(A)=4TNE88-IKA

(B)=

(C)=

(D)=

(E)=

(F)=

No.	Lev.	Parts No.	Description	Q'ty						I	R
				(A)	(B)	(C)	(D)	(E)	(F)		
1	1	719810-01500	CASE ASSY, GEAR	1							
4	2	129795-01800	SEAL, OIL	1							
5	1	129400-01520	FLANGE, GEAR CASE	1							
6	1	121450-01560	STUD, M8X22	3							
7	1	124160-01751	COVER, FILLER	1							
8	1	124240-01871	COVER	1							
9	1	124240-01883	GASKET	1							Z
(A=EXXXXX)											
10	1	129795-01950	PIPE, KNOCK L=18	2							
11	1	129150-03100	RETAINER, PIPE	1							
12	1	121850-51960	O-RING	1							
13	1	24311-000160	O-RING, 1AP16.0	2							
13-1	1	119609-32040	O-RING, P16	2							R
(A=E68749)											
14	1	24311-000320	O-RING, 1AP32.0	1							
15	1	26106-080122	BOLT, M8X 12 PLATED	4							
16	1	26106-080162	BOLT, M8X 16 PLATED	1							
17	1	26106-080162	BOLT, M8X 16 PLATED	3							
18	1	26106-080202	BOLT, M8X 20 PLATED	2							
19	1	26106-080452	BOLT, M8X 45 PLATED	6							
20	1	26106-080552	BOLT, M8X 55 PLATED	3							
21	1	26106-080852	BOLT, M8X 85 PLATED	4							
21-1	1	129001-91841	BOLT, M8X85	4							R
(A=E51359)											
22	1	26366-080002	NUT, M8	3							
22-1	1	26306-080002	NUT, M8	3							N
(A=E64803)											
23	1	22190-080002	WASHER, SEAL 6	4							
24	1	22190-080002	WASHER, SEAL 6	1							
25	1	121023-01550	COVER	1							
25-1	1	121023-01551	COVER	1							R
(A=EA0284)											
26	1	24341-000240	O-RING, 1AS24.0	1							
27	1	26106-060122	BOLT, M6X 12 PLATED	2							
27-1	1	26106-060162	BOLT, M6X 16 PLATED	2							N
(A=EXXXXX)											
28	1	977770-1207F	GASKET.LIQUID	1							1

Remarks

(1) OPTIONAL PART.

Fig.3. FLYWHEEL HOUSING & OIL SUMP

(A)=4TNE88-IKA

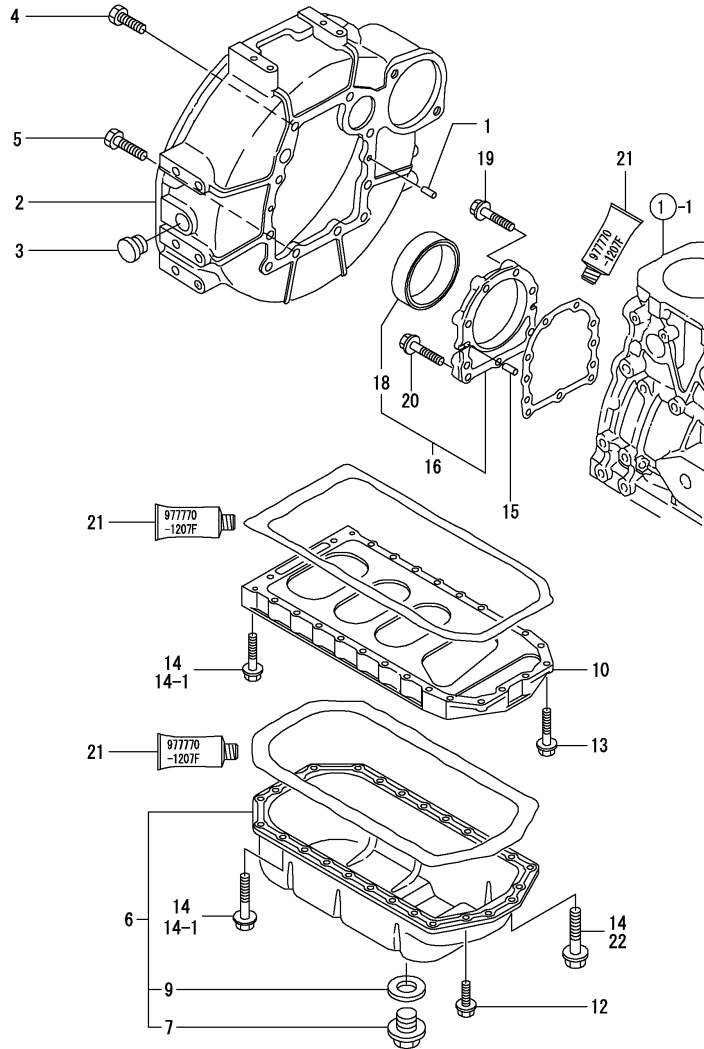
(B)=

(C)=

(D)=

(E)=

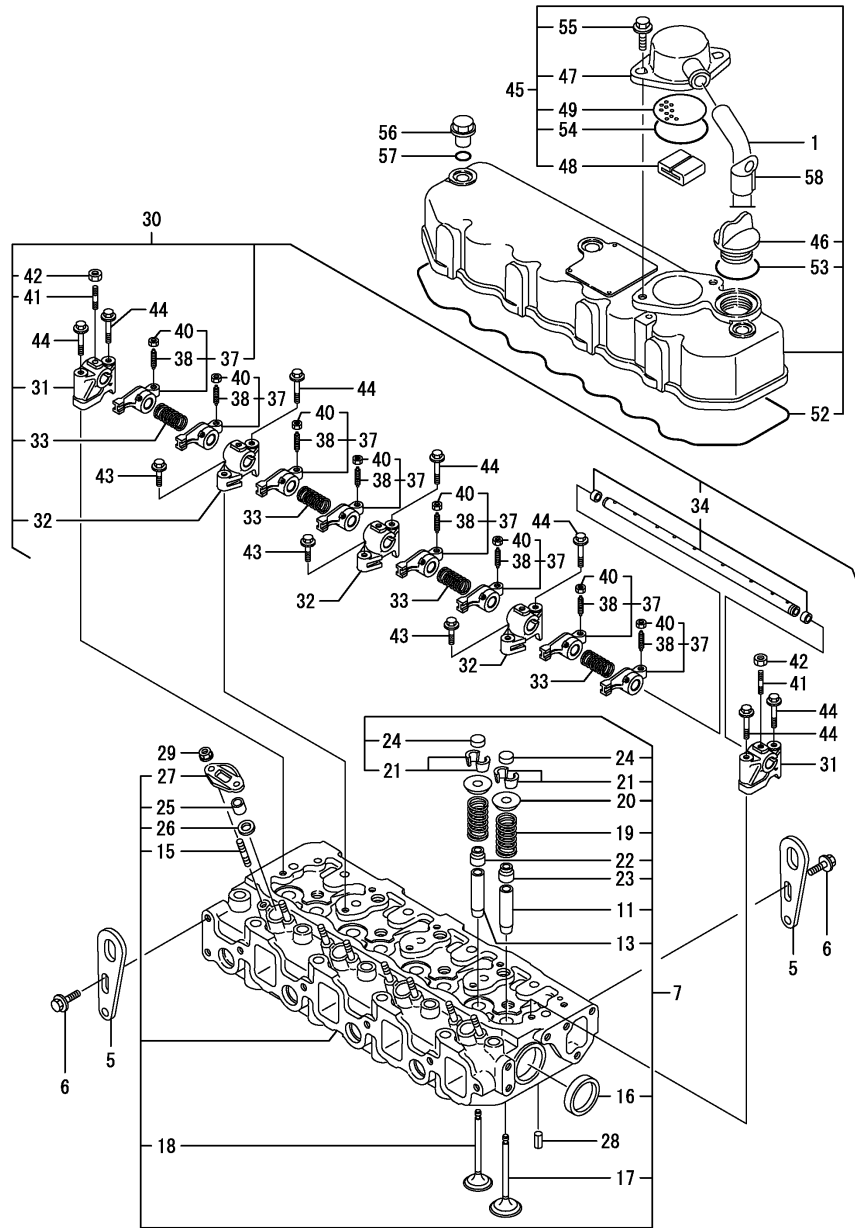
(F)=



No.	Lev.	Parts No.	Description	Q'ty						I	R
				(A)	(B)	(C)	(D)	(E)	(F)		
1	1	129100-01580	PIN, M8X16	2							
2	1	171301-01600	HOUSING, FLYWHEEL	1							
2-1	1	129612-01600	HOUSING, FLYWHEEL	1							R
(A=E30770)											
3	1	119620-01750	CAP	1							
4	1	26206-100252	BOLT, M10X 25 PLATED	6							
5	1	26206-100302	BOLT, M10X 30 PLATED	4							
6	1	129436-01780	SUMP ASSY, OIL	1							
7	2	119640-01640	PLUG, DRAIN M22	1							
9	2	22190-220002	WASHER, SEAL 22	1							
10	1	129400-01730	SPACER, OIL SUMP	1							
12	1	26106-080162	BOLT, M8X 16 PLATED	4							
13	1	26106-080252	BOLT, M8X 25 PLATED	2							
14	1	26106-080452	BOLT, M8X 45 PLATED	24							
14-1	1	26106-080452	BOLT, M8X 45 PLATED	20							K
(A=FROM 1ST)											
15	1	129100-01580	PIN, M8X16	2							
16	1	129100-01640	CASE ASSY, OIL SEAL	1							
18	2	129795-01780	SEAL, OIL	1							
19	1	129486-01670	BOLT, M8X30	6							
20	1	26106-080352	BOLT, M8X 35 PLATED	3							
21	1	977770-1207F	GASKET.LIQUID	1							1
22	1	26106-080502	BOLT, M8X 50 PLATED	4							W
(A=FROM 1ST)											

Remarks
(1) OPTIONAL PART.

Fig.4. CYLINDER HEAD & BONNET



(A)=4TNE88-IKA

(B)=

(C)=

(D)=

(E)=

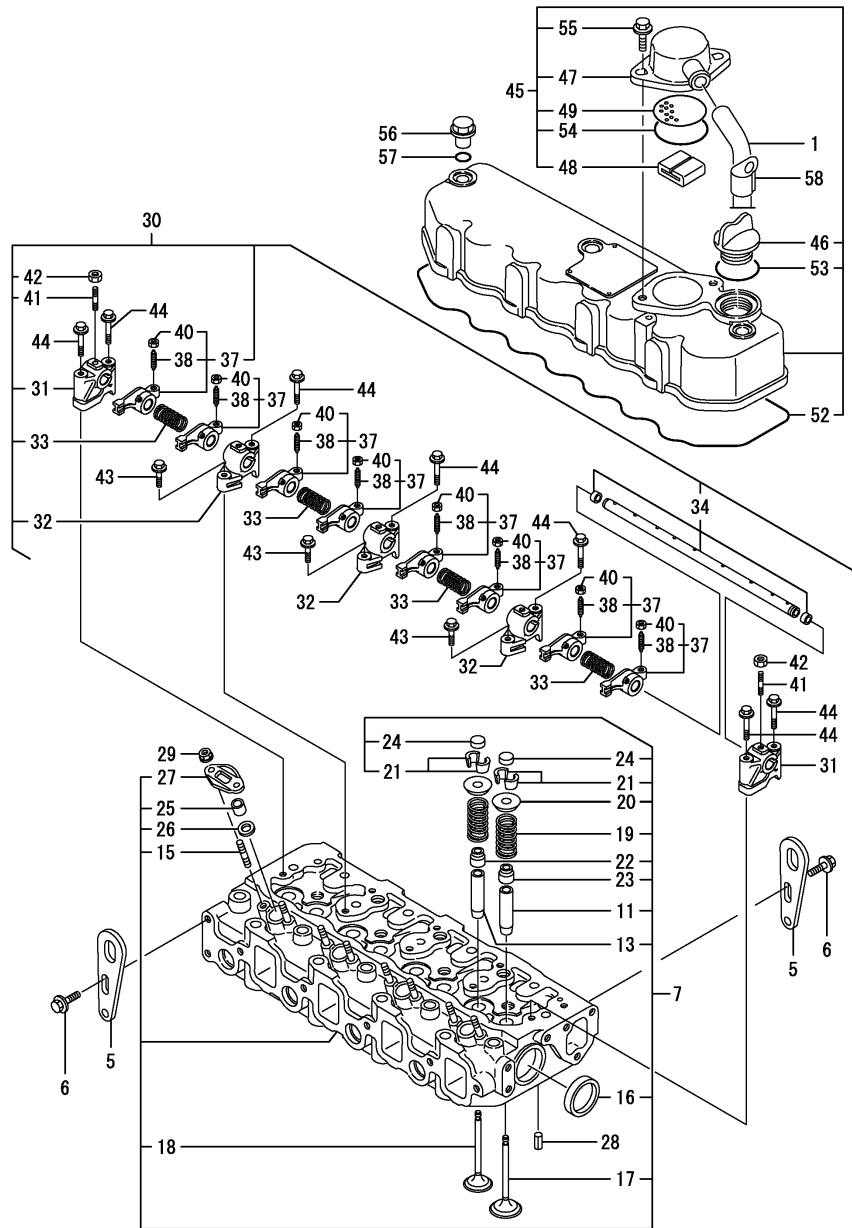
(F)=

No.	Lev.	Parts No.	Description	Q'ty						I	R
				(A)	(B)	(C)	(D)	(E)	(F)		
1	1	129410-03090	PIPE , BREATHER	1							
5	1	124736-07900	LIFTER	2							
6	1	26106-080142	BOLT, M8X 14 PLATED	4							
7	1	129407-11700	HEAD ASSY, CYLINDER	1							
11	2	120130-11860	GUIDE, VALVE	4							1
13	2	129150-11810	GUIDE, VALVE	4							1
15	2	26216-060202	STUD, M6X 20	8							
16	2	27241-400000	PLUG, 40	2							
17	2	129100-11100	VALVE, INTAKE	4							
18	2	129100-11110	VALVE, EXHAUST	4							
18-1	2	129100-11111	VALVE, EXHAUST	4							R
(A=E95884)											
18-2	2	129100-11112	VALVE, EXHAUST	4							R
(A=EA0284)											
19	2	129795-11120	SPRING, VALVE	8							
20	2	129795-11180	RETAINER, SPRING	8							
21	2	27310-080001	COTTER, 8	8							
22	2	121400-11340	SEAL, VALVE STEM	4							
23	2	124460-11340	SEAL, VALVE STEM	4							
24	2	129150-11370	CAP, VALVE	8							
25	2	119625-11871	PROTECTOR, NOZZLE	4							
25-1	2	119625-11870	PROTECTOR, NOZZLE	4							N
(A=E77692)											
26	2	119625-11880	SEAT, NOZZLE	4							
27	2	119625-11900	RETAINER, NOZZLE	4							
28	1	22351-060012	PIN, SPRING 6.0X12	2							
29	1	26366-060002	NUT, M6	8							
30	1	129555-11241	SHAFT ASSY, ROCKER	1							
31	2	129155-11260	SUPPORT, ROCKER ARM	2							
32	2	129155-11270	SUPPORT, ROCKER ARM	3							
33	2	129150-11280	SPRING	4							
34	2	129550-11290	SHAFT, ROCKER ARM	1							
37	2	729402-11650	ARM ASSY, ROCKER	8							
38	3	129150-11230	SCREW, VALVE ADJUST	8							
40	3	129150-11750	NUT, M8	8							
41	2	26226-080182	STUD, M8X 18	3							
41-1	2	119802-11280	STUD	3							R
(A=E69680)											
42	2	26756-080002	NUT, LOCK M8	3							
43	1	26106-080252	BOLT, M8X 25 PLATED	3							
44	1	26106-080502	BOLT, M8X 50 PLATED	7							
45	1	129400-11350	BONNET ASSY, HEAD	1							
46	2	124160-01751	COVER, FILLER	1							
47	2	129150-03020	COVER, BREATHER	1							
48	2	129150-03070	BAFFLE, BREATHER	1							
49	2	129150-03080	PLATE, BAFFLE	1							
52	2	129550-11310	GASKET, BONNET	1							
53	2	24311-000320	O-RING, 1AP32.0	1							
54	2	24341-000500	O-RING, 1AS50.0	1							
55	2	26106-080162	BOLT, M8X 16 PLATED	2							
56	1	124160-11360	KNOB	3							

Remarks

(1) REPAIR PART.

Fig.4. CYLINDER HEAD & BONNET



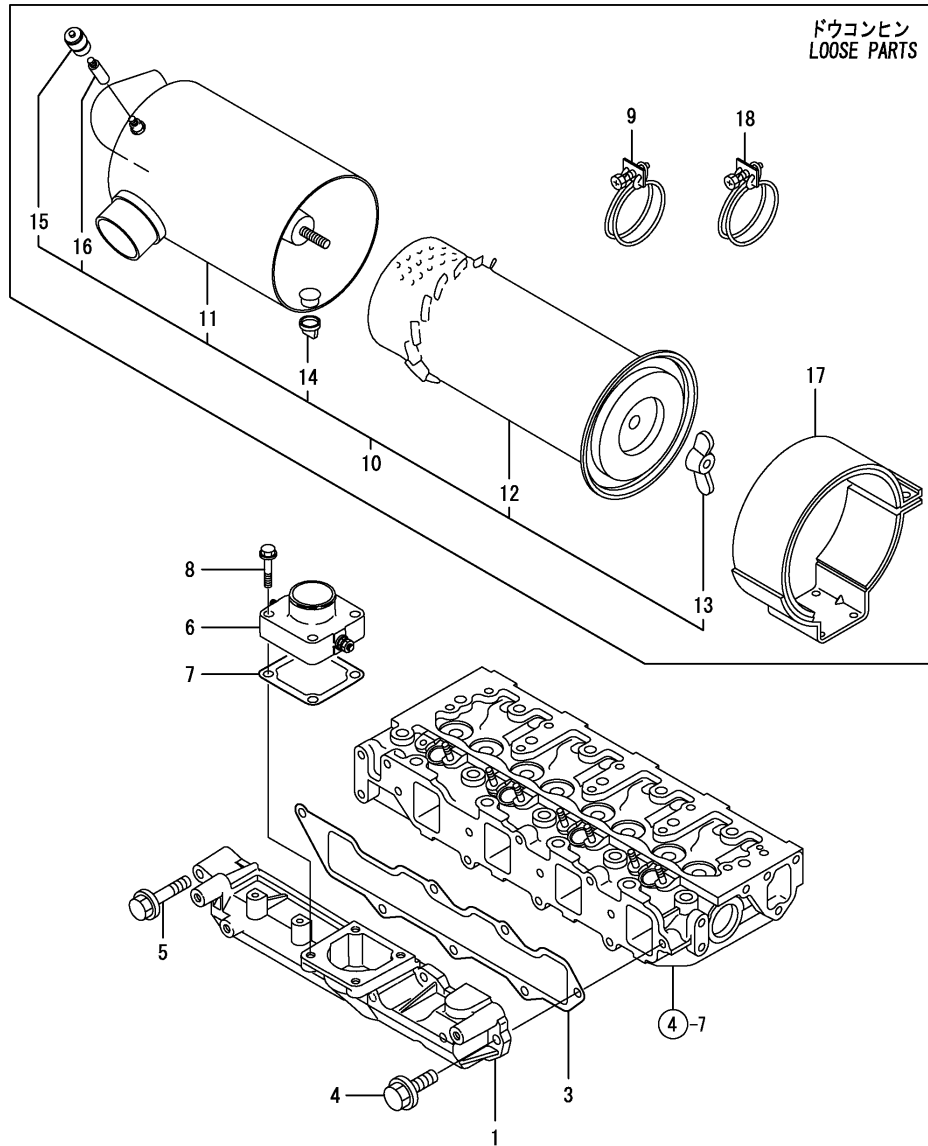
(A)=4TNE88-IKA
(B)=
(C)=

(D)=
(E)=
(F)=

No.	Lev.	Parts No.	Description	Q'ty						I	R
				(A)	(B)	(C)	(D)	(E)	(F)		
57	1	24311-000120	O-RING, 1AP12.0	3							
58	1	129150-03100	RETAINER, PIPE	1							W
(A=FROM 1ST.)											

Remarks
(1) REPAIR PART.

Fig.5. SUCTION MANIFOLD & AIR CLEANER



(A)=4TNE88-IKA

(B)=

(C)=

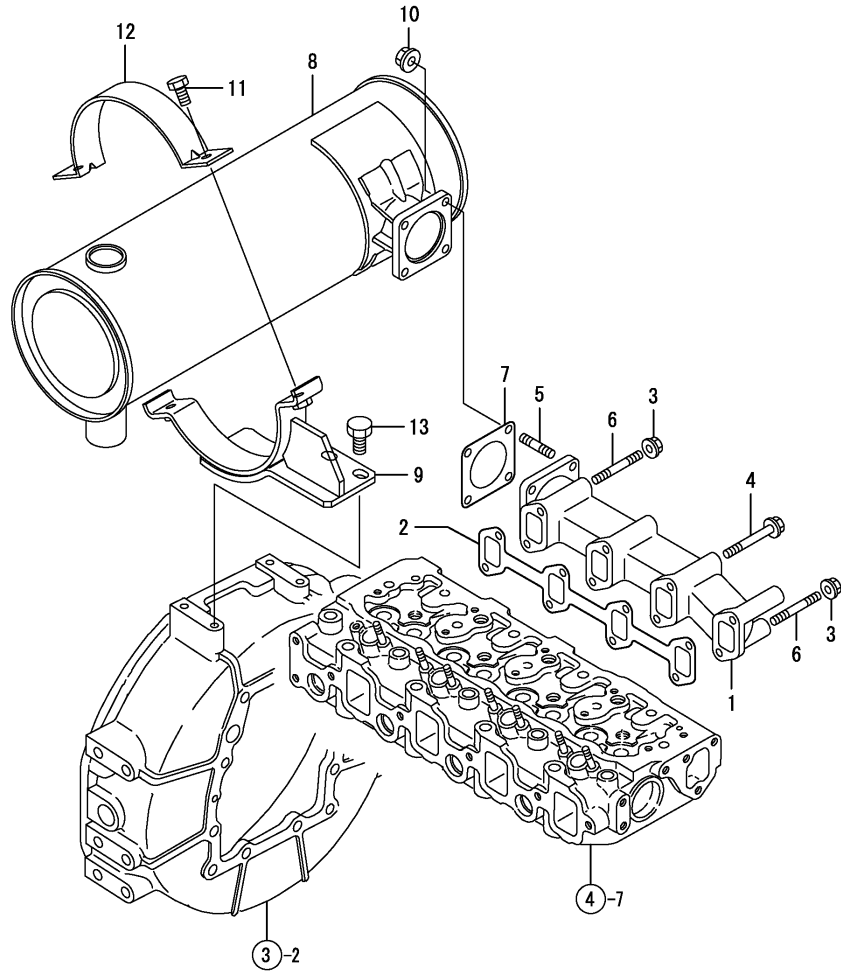
(D)=

(E)=

(F)=

No.	Lev.	Parts No.	Description	Q'ty						I	R
				(A)	(B)	(C)	(D)	(E)	(F)		
1	1	129407-12120	MANIFOLD, AIR INTAKE	1							
3	1	129407-12110	GASKET, MANIFOLD	1							
4	1	26106-080202	BOLT, M8X 20 PLATED	6							
5	1	26106-080502	BOLT, M8X 50 PLATED	1							
6	1	129120-77501	HEATER	1							
6-1	1	129120-77502	HEATER	1							N
(A=EA1683)											
7	1	129150-77511	GASKET	1							
8	1	26106-080352	BOLT, M8X 35 PLATED	4							
9	1	23000-070000	CLAMP, 70	1							
10	1	129612-12500	CLEANER ASSY, AIR	1							
11	2	129612-12630	BODY ASSY	1							
12	2	129612-12550	ELEMENT	1							
13	2	121820-12560	NUT	1							
14	2	121422-12580	VALVE, UNLOADER	1							
15	2	126650-12680	INDICATOR	1							
16	2	129612-12640	JOINT	1							
17	1	121872-12700	SUPPORT	1							
18	1	23000-060000	CLAMP, 60	1							

Fig.6. EXHAUST MANIFOLD & SILENCER



No.	Lev.	Parts No.	Description	Q'ty						I	R
				(A)	(B)	(C)	(D)	(E)	(F)		
1	1	129402-13100	MANIFOLD, EXHAUST	1							
1-1	1	129402-13101	MANIFOLD, EXHAUST	1							N
(A=E34732)											
2	1	129550-13110	GASKET	1							
3	1	194990-22050	NUT, M8	2							
3-1	1	26306-080002	NUT, M8	2							N
(A=E64803)											
4	1	26106-080802	BOLT, M8X 80 PLATED	6							
4-1	1	123900-13630	BOLT, M8X80	6							N
(A=E76888)											
5	1	26216-080222	STUD, M8X 22	4							
5-1	1	119131-18320	STUD, M8X22	4							N
(A=E31904)											
6	1	26216-080802	STUD, M8X 80	2							
6-1	1	123900-13610	STUD, M8X80	2							N
(A=E76888)											
7	1	129400-13201	GASKET, SILENCER	1							
8	1	129612-13530	SILENCER	1							
9	1	129612-13600	STAY, SILENCER	2							
10	1	194990-22050	NUT, M8	4							
10-1	1	26306-080002	NUT, M8	2							N
(A=E64803)											
11	1	26106-080352	BOLT, M8X 35 PLATED	4							
12	1	171091-13670	BAND	2							
13	1	26106-100162	BOLT, M10X 16 PLATED	4							

Fig.8. CRANKSHAFT & PISTON

(A)=4TNE88-IKA

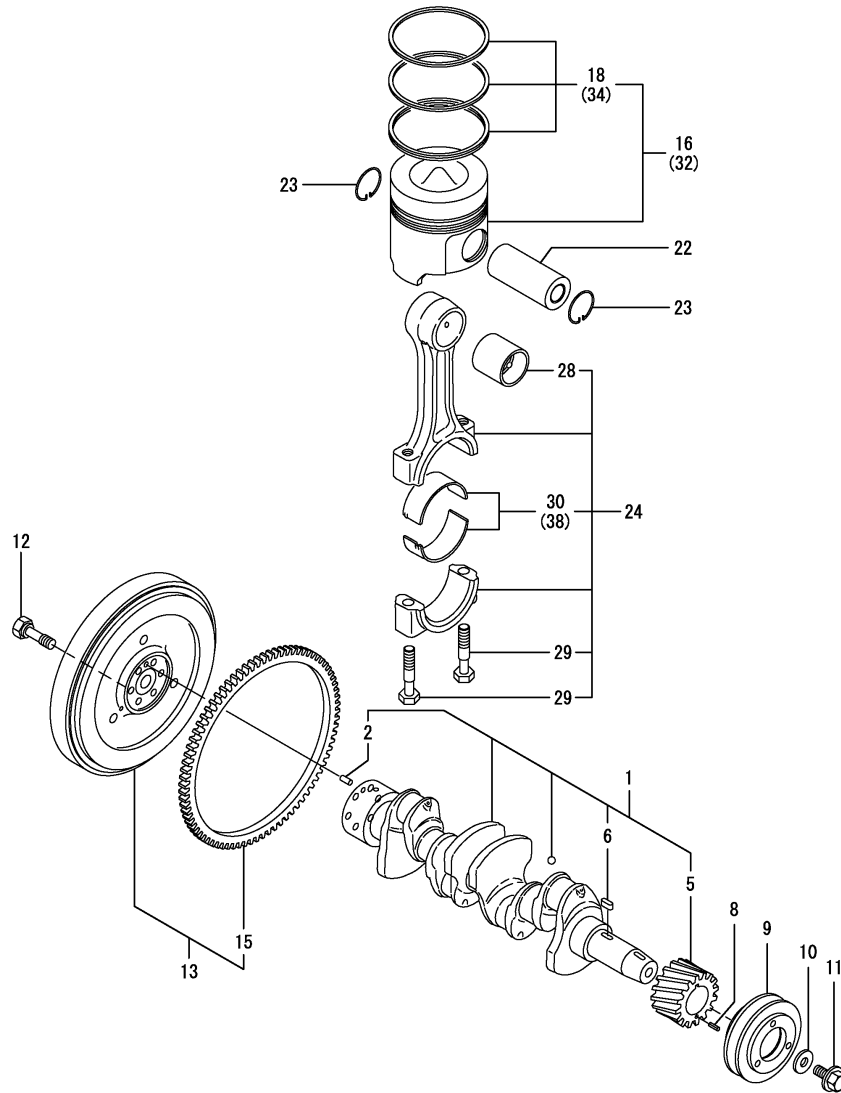
(B)=

(C)=

(D)=

(E)=

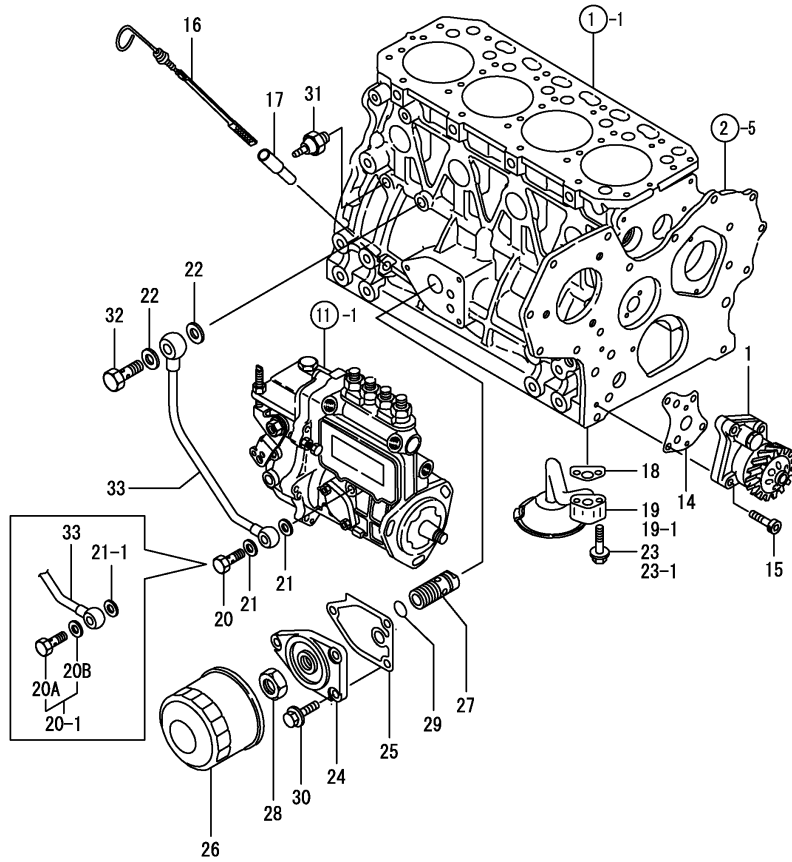
(F)=



No.	Lev.	Parts No.	Description	Q'ty						I	R
				(A)	(B)	(C)	(D)	(E)	(F)		
1	1	129407-21000	CRANKSHAFT ASSY	1							
1-1	1	129407-21100	CRANKSHAFT ASSY	1							N
(A=E54268)											
2	2	129100-01580	PIN, M8X16	1							
5	2	129150-21200	GEAR, CRANKSHAFT	1							
6	2	22512-070140	KEY, 7X 14	1							
8	1	22351-040010	PIN, SPRING 4.0X10	1							
9	1	171301-21650	V-PULLEY	1							
10	1	129795-21661	WASHER	1							
11	1	121850-21680	BOLT	1							
12	1	121111-21501	BOLT, FLYWHEEL	6							
13	1	129612-21590	FLYWHEEL ASSY	1							
15	2	119865-21600	GEAR, RING	1							
16	1	129001-22081	PISTON ASSY	4							
18	2	129001-22500	RING SET, PISTON	4							
22	1	129202-22300	PIN, PISTON D26 L70	4							
23	1	22252-000260	RING, 26	8							
24	1	729402-23100	ROD ASSY, CONNECTING	4							
28	2	129100-23910	BEARING, PISTON PIN	4							1
29	2	121550-23200	BOLT, CONNECTING ROD	8							
30	2	129150-23600	BEARING, CRANK PIN	4							
30-1	2	129150-23601	BEARING, CRANK PIN	4							N
(A=EA1683)											
32	1	129001-22901	PISTON ASSY, 0.25 OS	4							2
34	2	129001-22950	RING SET, 0.25 OS	4							2
38	1	129150-23610	BEARING, 0.25 US	4							3
38-1	1	129150-23611	BEARING, 0.25 US	4							N 3
(A=EA1683)											

Remarks
 (1) REPAIR PART.
 (2) OVER-SIZE (O.S=0.25) PART.
 (3) UNDER-SIZE(U.S=0.25) PART.

Fig.9. LUB.OIL SYSYEM



(A)=4TNE88-IKA

(B)=

(C)=

(D)=

(E)=

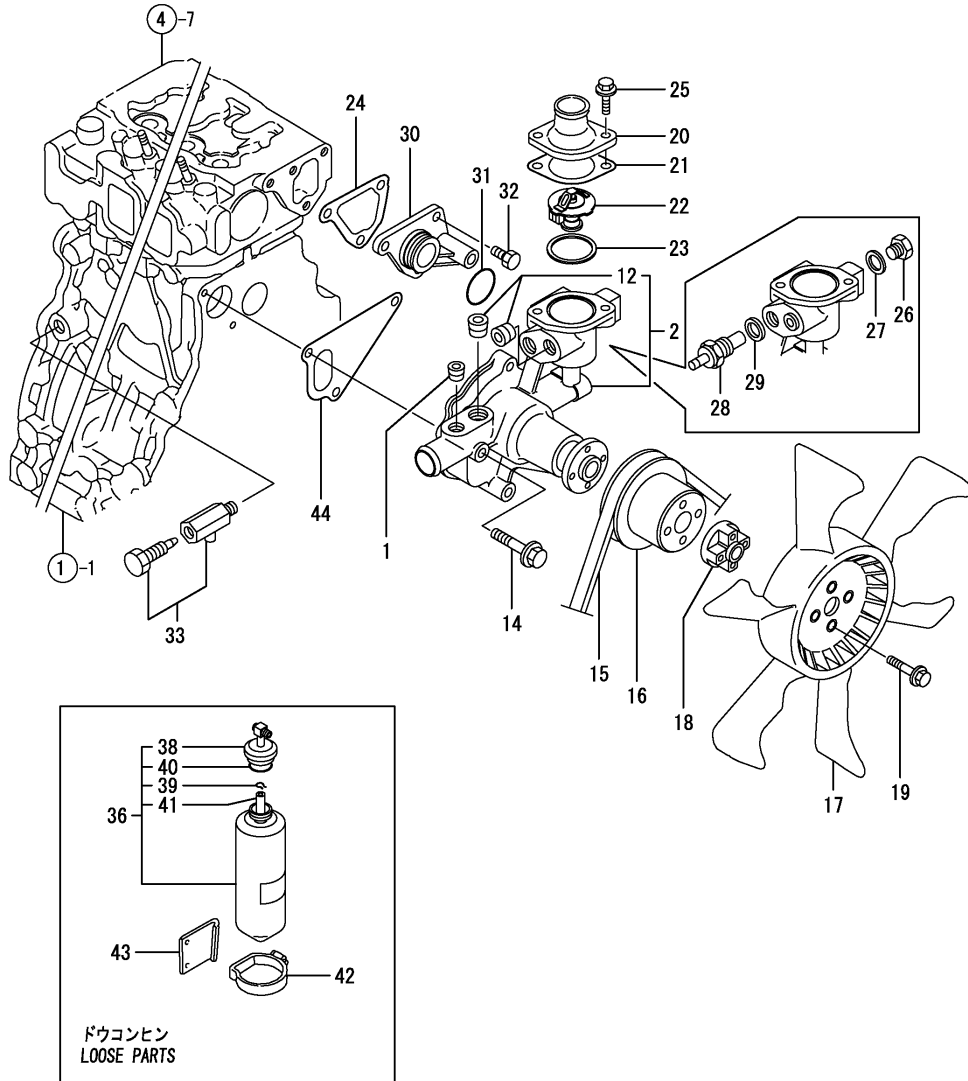
(F)=

No.	Lev.	Parts No.	Description	Q'ty						I	R
				(A)	(B)	(C)	(D)	(E)	(F)		
1	1	129407-32000	PUMP ASSY, OIL	1							
14	1	129150-32020	GASKET, PUMP	1							
15	1	26450-060252	BOLT, M6X 25	4							
16	1	171420-34820	DIPSTICK, OIL	1							
17	1	121520-34810	GUIDE, DIPSTICK	1							
18	1	129150-35041	GASKET	1							
18-1	1	129150-35042	GASKET	1							N
		(A=E94831)									
19	1	129436-35091	PIPE ASSY, OIL INLET	1							
19-1	1	129436-35070	PIPE ASSY, LUB. OIL	1							S
		(A=EZZZZZ)									
20	1	124550-59820	BOLT, PIPE JOINT M8	1							
20-1	1	124550-59830	BOLT ASSY, JOINT M8	1							N
		(A=E38536)									
20A	2	124550-59820	BOLT, PIPE JOINT M8	1							W
		(A=E38536)									
20B	2	22190-080002	WASHER, SEAL 6	1							W
		(A=E38536)									
21	1	22190-080002	WASHER, SEAL 6	2							
21-1	1	22190-080002	WASHER, SEAL 6	1							K
		(A=E38536)									
22	1	23414-100000	GASKET, 10X1.0	2							
22-1	1	22190-100002	WASHER, SEAL 10	2							N
		(A=E38536)									
23	1	26106-080352	BOLT, M8X 35 PLATED	2							
23-1	1	26106-080552	BOLT, M8X 55 PLATED	2							S
		(A=EZZZZZ)									
24	1	129150-35101	BRACKET, STRAINER	1							
25	1	129150-35111	GASKET	1							
26	1	129150-35153	FILTER 80X80L	1							1
27	1	129001-35300	BOLT, FILTER	1							
28	1	129150-35350	NUT	1							
29	1	24311-000160	O-RING, 1AP16.0	1							
30	1	26106-080202	BOLT, M8X 20 PLATED	3							
31	1	121252-39450	SWITCH, 0.5KG	1							
32	1	124160-39140	BOLT, PIPE JOINT M10	1							
33	1	129550-39450	PIPE ASSY, OIL	1							

Remarks

(1) REPAIR PART.

Fig.10. COOLING WATER SYSTEM



(A)=4TNE88-IKA

(B)=

(C)=

(D)=

(E)=

(F)=

No.	Lev.	Parts No.	Description	Q'ty						I	R
				(A)	(B)	(C)	(D)	(E)	(F)		
1	1	121850-11860 (A=E46125)	PLUG, PT1/4	1							Z
2	1	129001-42002	PUMP ASSY, WATER	1							
2-1	1	129001-42003 (A=E46125)	PUMP ASSY, WATER	1							N
2-2	1	129001-42004 (A=E99206)	PUMP ASSY, WATER	1							N
12	2	23871-030000	PLUG, R03	2							
12-1	2	129916-49740 (A=E99206)	PLUG, R03	2							N
14	1	26106-080602	BOLT, M8X 60 PLATED	3							
15	1	25132-003800	V-BELT, A38	1							
16	1	129556-42350	V-PULLEY, 96	1							
17	1	129612-44700	FAN, COOLING	1							
18	1	171353-44760	SPACER, FAN	1							
19	1	26014-060352	BOLT, M6X 35	4							
20	1	129350-49560	COVER, THERMOSTAT	1							
21	1	129795-49551	GASKET	1							
22	1	129155-49800	THERMOSTAT, 71	1							
22-1	1	129155-49801 (A=E82610)	THERMOSTAT, 71	1							N
23	1	129150-49811	GASKET, THERMOSTAT	1							
24	1	129100-49840	GASKET	1							
24-1	1	124395-49840 (A=E71674)	GASKET	1							R
25	1	26106-080202	BOLT, M8X 20 PLATED	2							
26	1	121450-42450	PLUG, M16	1							
27	1	124465-44950	GASKET, 16	1							
28	1	171056-49351	SENSOR	1							
29	1	129150-49360	GASKET	1							
30	1	129001-42040	JOINT	1							
31	1	24321-000300	O-RING, 1AG30.0	1							
31-1	1	129486-42140 (A=E44316)	O-RING, G30	1							N
32	1	26106-080162	BOLT, M8X 16 PLATED	3							
33	1	119620-49290	COCK ASSY, 1/4	1							
36	1	171064-44510	TANK ASSY, SUB	1							
38	2	121450-44531	CAP	1							
39	2	124450-44560	RETAINER	1							
40	2	121470-44581	GASKET	1							
41	2	23065-070225	HOSE 7X 225	1							
42	1	124450-44550	BAND	1							
43	1	121256-44600	BRACKET, SUB TANK	1							
44	1	129100-42020	GASKET, WATER PUMP	1							
44-1	1	129486-42021 (A=E46125)	GASKET, WATER PUMP	1							N

Fig.11. FUEL INJECTION PUMP

(A)=4TNE88-IKA

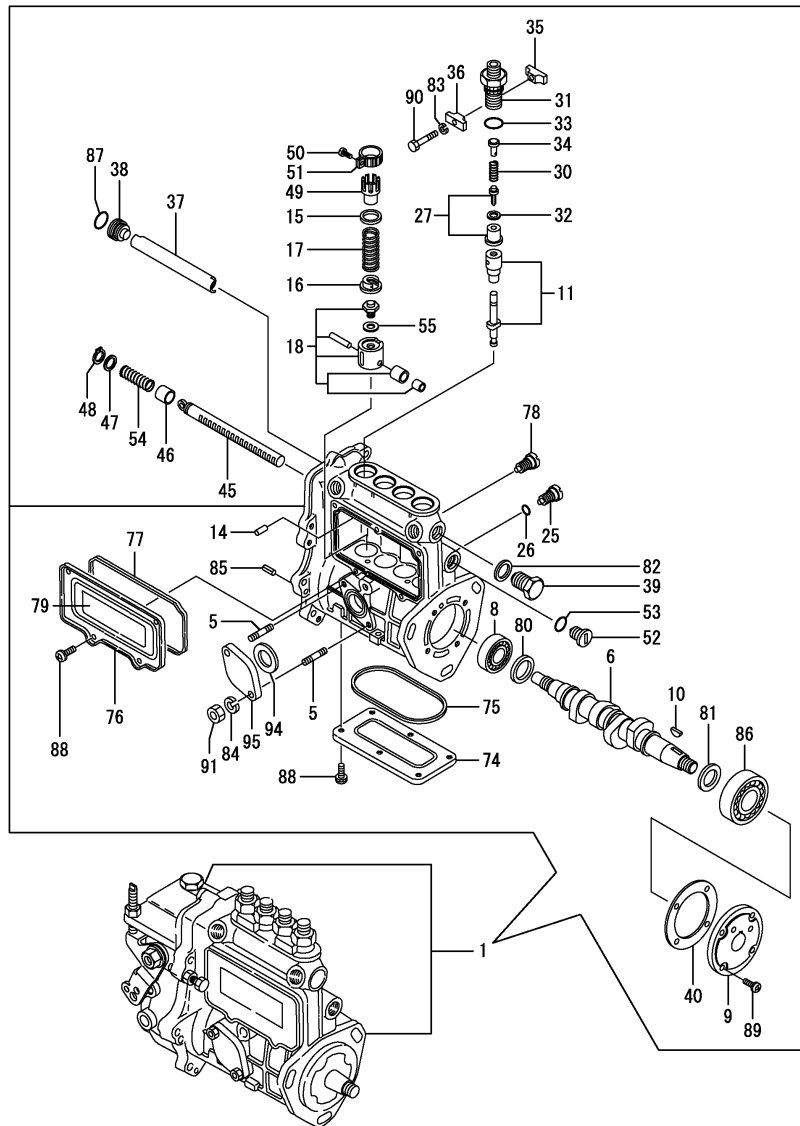
(B)=

(C)=

(D)=

(E)=

(F)=



No.	Lev.	Parts No.	Description	Q'ty						I	R
				(A)	(B)	(C)	(D)	(E)	(F)		
1	1	729613-51390	PUMP ASSY, INJECTION	1							1
5	2	129155-51020	STUD	2							
6	2	129470-51040	CAMSHAFT	1							
8	2	129155-51050	BEARING, 17BM001D	1							
8-1	2	129155-51051	BEARING	1							R
(A=E76888)											
9	2	129155-51060	SUPPORT, CAMSHAFT	1							
10	2	122710-51090	KEY	1							
11	2	129506-51100	PLUNGER ASSY	4							
14	2	129155-51140	PIN	4							
15	2	174307-51170	RETAINER, SPRING A	4							
16	2	129155-51180	RETAINER, SPRING	4							
17	2	124950-51190	SPRING, PLUNGER	4							
18	2	129155-51200	TAPPET ASSY	4							
25	2	129155-51270	STOPPER, TAPPET	4							
26	2	129155-51280	O-RING, S6	4							
27	2	129450-51300	VALVE ASSY, DELIVERY	4							
30	2	129155-51320	SPRING, DELIVERY	4							
31	2	129155-51340	RETAINER	4							
32	2	124550-51350	GASKET, DELIVERY	4							
33	2	124550-51370	O-RING	4							
33-1	2	24316-000150	O-RING, 4DP15.0	4							N
(A=EA1683)											
34	2	129155-51370	STOPPER, VALVE	4							
35	2	129155-51380	STOPPER	2							
36	2	129155-51390	STOPPER	2							
37	2	129555-51400	DEFLECTOR	1							
38	2	129155-51410	BOLT	1							
39	2	129155-51420	PLUG, M16	1							
40	2	129155-51450	SHIM SET, ADJUSTING	1							
45	2	129555-51500	RACK, CONTROL	1							
46	2	129155-51521	BUSH, RACK	1							
47	2	129155-51530	SPACER	1							
48	2	129155-51540	CIRCLIP	1							
49	2	129155-51550	PINION, CONTROL	4							
50	2	122117-51560	SCREW	4							
50-1	2	129100-51570	SCREW	4							N
(A=E62175)											
51	2	174307-51560	PINION	4							
51-1	2	129100-51560	PINION	4							N
(A=E62175)											
52	2	129155-51570	PLUG, M12	1							
53	2	129155-51580	O-RING	1							
54	2	129155-51591	SPRING, RACK	1							
55	2	129155-51600	SHIM SET, ADJUSTING	4							
74	2	129555-51700	COVER	1							
74-1	2	129155-51701	COVER	1							N
(A=E49114)											
75	2	129555-51710	GASKET	1							
75-1	2	129155-51711	GASKET	1							N
(A=E57685)											

Remarks

(1) GOVERNOR ASSY(FIG.NO.12) IS INCORPORATED IN THIS FUEL INJECTION PUMP ASSY(REF.NO.1).

Fig.11. FUEL INJECTION PUMP

(A)=4TNE88-IKA

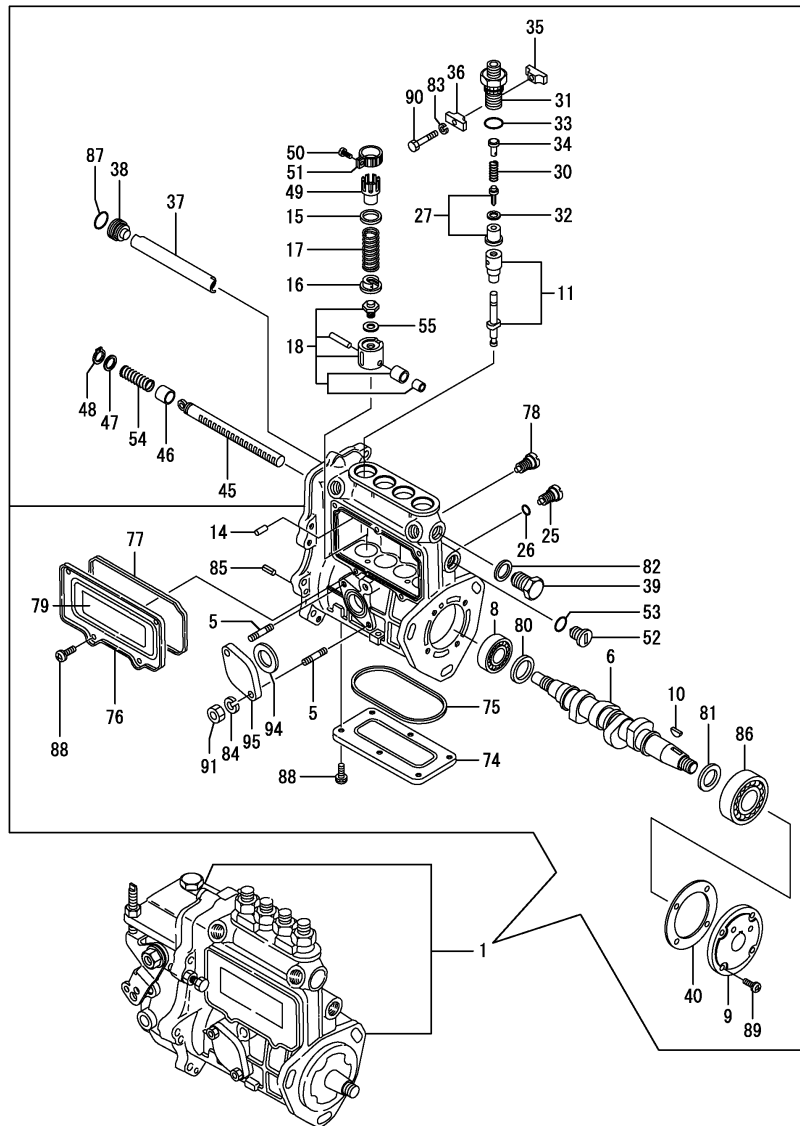
(B)=

(C)=

(D)=

(E)=

(F)=

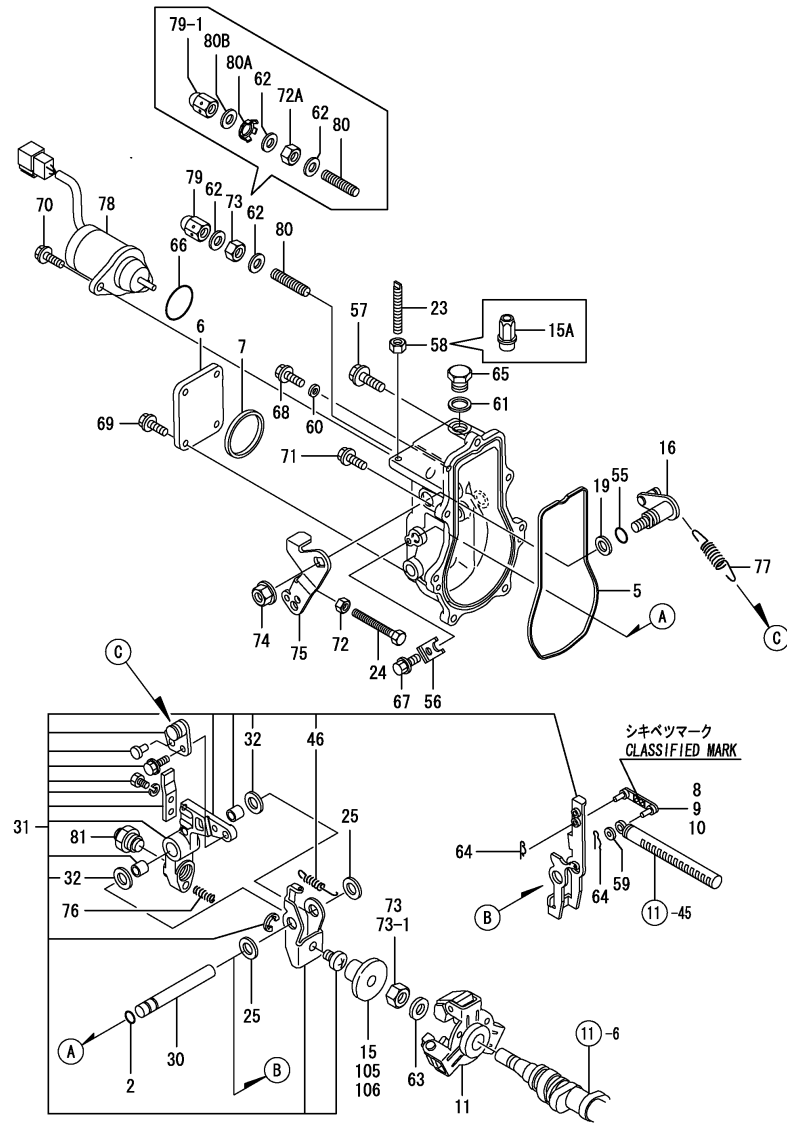


No.	Lev.	Parts No.	Description	Q'ty						I	R
				(A)	(B)	(C)	(D)	(E)	(F)		
76	2	129555-51750	COVER	1							
76-1	2	129155-51751	COVER	1							N
(A=E49114)											
77	2	129555-51760	GASKET	1							
77-1	2	129155-51761	GASKET	1							N
(A=EXXXXX)											
78	2	129155-51790	STOOPER, RACK	1							
79	2	129156-51910	LABEL, CAUTION	1							
80	2	129155-51930	SPACER, T=3.25	1							
81	2	129155-51940	SPACER, T=1.5	1							
82	2	22190-160002	WASHER, SEAL 16	1							
83	2	22217-050000	WASHER, SPRING 5	2							
84	2	22217-060000	WASHER, SPRING 6	2							
85	2	22351-050010	PIN, SPRING 5.0X10	2							
86	2	24101-063034	BEARING, BALL 6303	1							
87	2	24341-000160	O-RING, 1AS16.0	1							
87-1	2	119717-51420	O-RING	1							N
(A=EA1683)											
88	2	26022-050102	SCREW, M5X10	11							
89	2	26022-060162	SCREW, M6X16	4							
90	2	26116-050302	BOLT, M5X 30 PLATED	2							
91	2	26716-060002	NUT, M6	2							
94	2	129155-52050	GASKET	1							
94-1	2	129155-52051	GASKET	1							N
(A=EXXXXX)											
95	2	129100-52200	COVER	1							

Remarks

(1) GOVERNOR ASSY(FIG.NO.12) IS INCORPORATED IN THIS FUEL INJECTION PUMP ASSY(REF.NO.1).

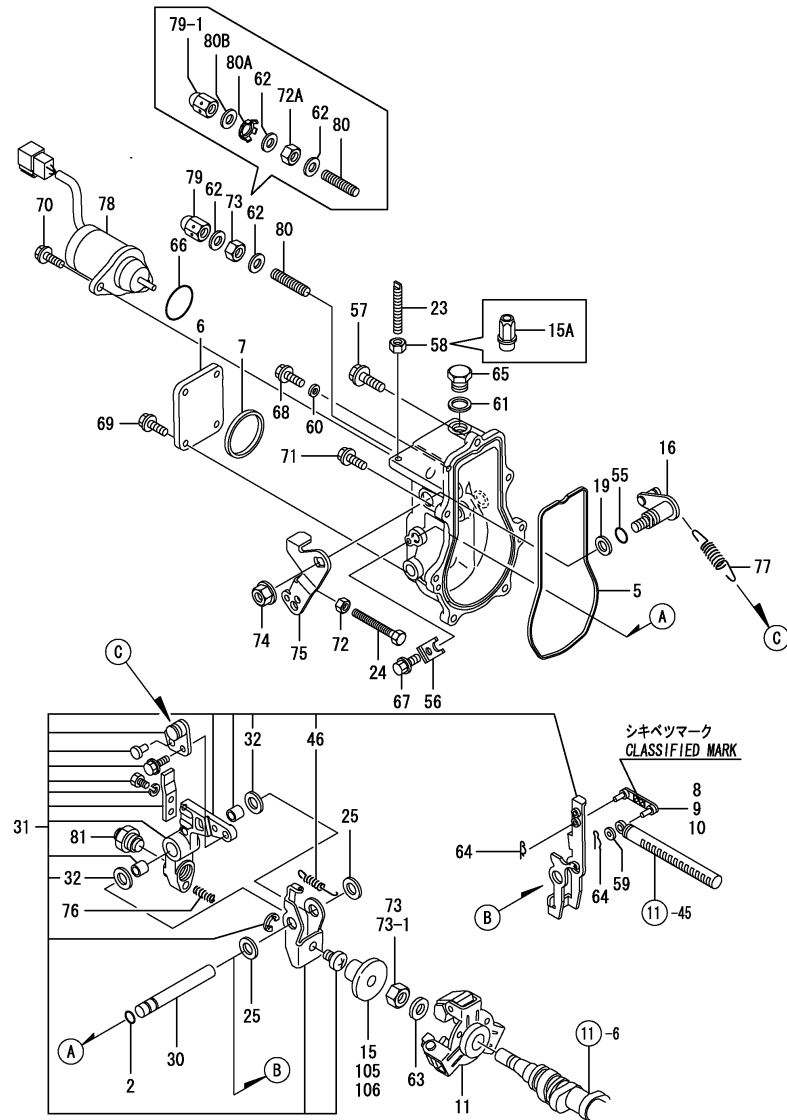
Fig.12. GOVERNOR



Remarks
 (1) SELECTIVE PARTS: CERTAIN THE CLASSIFICATION MARK, THEN PLACE YOUR ORDER.(REFER TO ILLUSTRATION).
 (2) SELECTIVE PARTS.

No.	Lev.	Parts No.	Description	Q'ty						I	R
				(A)	(B)	(C)	(D)	(E)	(F)		
2	2	129155-51280	O-RING, S6	1							
5	2	129052-61050	GASKET	1							
5-1	2	129052-61051	GASKET	1							N
(A=EXXXXX)											
6	2	129052-61060	COVER, GOVERNOR CASE	1							
7	2	129052-61070	GASKET	1							
7-1	2	129052-61071	GASKET	1							N
(A=EXXXXX)											
8	2	129155-61120	LINK, L=30 MARK 0	1							1
9	2	129155-61130	LINK, L=31 MARK 1	1							1
10	2	129155-61140	LINK, L=30.5 MARK 05	1							1
11	2	129155-61201	WEIGHT ASSY,GOVERNOR	1							
11-1	2	129155-61202	WEIGHT ASSY,GOVERNOR	1							R
(A=E49114)											
15	2	129155-61341	SLEEVE	1							2
15A	2	129209-61370	NUT, M6	1							W
(A=E73305)											
16	2	129100-61400	SHAFT ASSY	1							
19	2	129155-61430	SPACER	1							
23	2	129155-61450	BOLT, LIMITER	1							
24	2	129155-61460	BOLT, IDLE	1							
25	2	129155-61480	SPACER ASSY	2							
30	2	129052-61390	SHAFT	1							
31	2	129052-61500	LEVER ASSY, GOVERNOR	1							
31-1	2	119908-61501	LEVER ASSY, GOVERNOR	1							N
(A=E54939)											
32	3	174307-51700	SHIM SET	2							
46	3	129052-61540	SPRING, SET	1							
46-1	3	129486-61540	SPRING, SET	1							N
(A=E54939)											
55	2	129155-61830	O-RING, S10	1							
56	2	119660-61901	RETAINER, SHAFT	1							
57	2	129155-61950	BOLT	1							
58	2	124550-66370	NUT, M6	1							Z
(A=E73305)											
59	2	22117-040000	WASHER, 4	1							
60	2	22190-060002	WASHER, SEAL 6	1							
60-1	2	22190-060003	SEAL WASER 6	1							N
(A=E36172)											
61	2	22190-100002	WASHER, SEAL 10	1							
62	2	22190-120002	WASHER, SEAL 12	2							
63	2	22287-120000	WASHER, 12	1							
64	2	22372-040000	PIN, SNAP 4	2							
65	2	23887-100002	PLUG, 10	1							
66	2	24341-000280	O-RING, 1AS28.0	1							
66-1	2	158552-61900	O-RING	1							N
(A=EXXXXX)											
67	2	26106-060102	BOLT, M6X 10 PLATED	1							
68	2	26106-060102	BOLT, M6X 10 PLATED	1							
69	2	26106-060102	BOLT, M6X 10 PLATED	4							
70	2	26106-060142	BOLT, M6X 14 PLATED	2							

Fig.12. GOVERNOR



(A)=4TNE88-IKA

(B)=

(C)=

(D)=

(E)=

(F)=

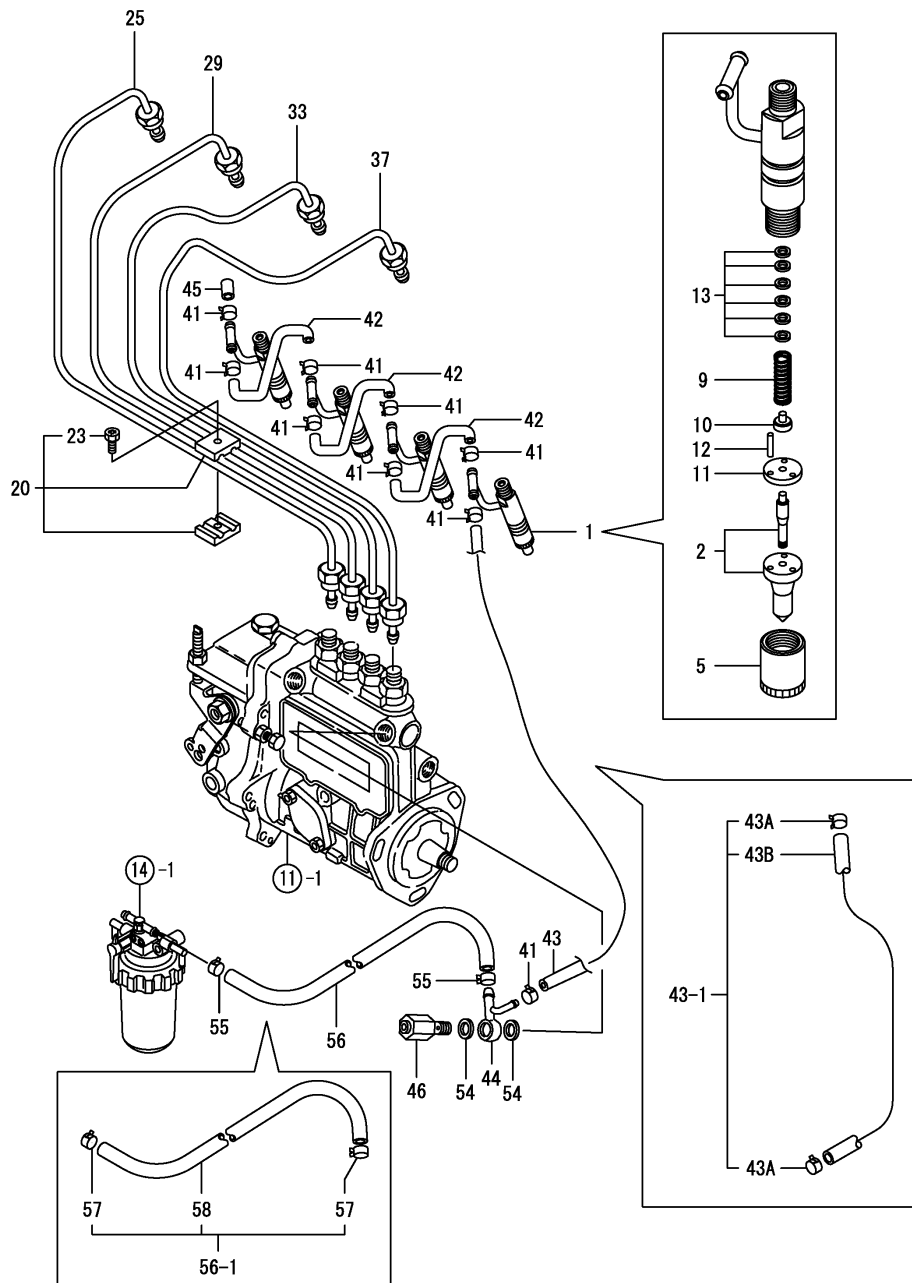
No.	Lev.	Parts No.	Description	Q'ty						I	R
				(A)	(B)	(C)	(D)	(E)	(F)		
71	2	26106-060202	BOLT, M6X 20 PLATED	6							
72	2	26756-060002	NUT, LOCK M6	1							
72A	2	26736-120002	NUT, M12	1							W
(A=E12375)											
73	2	26776-120002	NUT, LOCK M12	2							
73-1	2	26776-120002	NUT, LOCK M12	1							K
(A=E12375)											
74	2	26366-080002	NUT, M8	1							
75	2	129100-61440	LEVER, CONTROL	1							
76	2	129100-61650	SPRING, CONTROLLER	1							
77	2	129489-61700	SPRING, GOVERNOR	1							
78	2	119233-77931	SOLENOID, STOP	1							
78-1	2	119233-77932	SOLENOID, STOP	1							N
(A=E66216)											
79	2	26687-120002	NUT, CAP M12	1							
79-1	2	129209-61930	NUT, CAP	1							S
(A=E73305)											
80	2	129155-61470	BOLT, CONTROL	1							
80A	2	129209-61970	PLATE	1							W
(A=E73305)											
80B	2	23414-120016	GASKET, 12X1.0	1							W
(A=E73305)											
81	2	171353-61550	ANGLEICH ASSY	1							
105	2	129155-61350	SLEEVE, L=24.9	1							2
106	2	129155-61360	SLEEVE, L=25.2	1							2

Remarks

(1) SELECTIVE PARTS: CERTAIN THE CLASSIFICATION MARK, THEN PLACE YOUR ORDER.(REFER TO ILLUSTRATION)

(2) SELECTIVE PARTS.

Fig.13. FUEL INJECTION VALVE



(A)=4TNE88-IKA

(B)=

(C)=

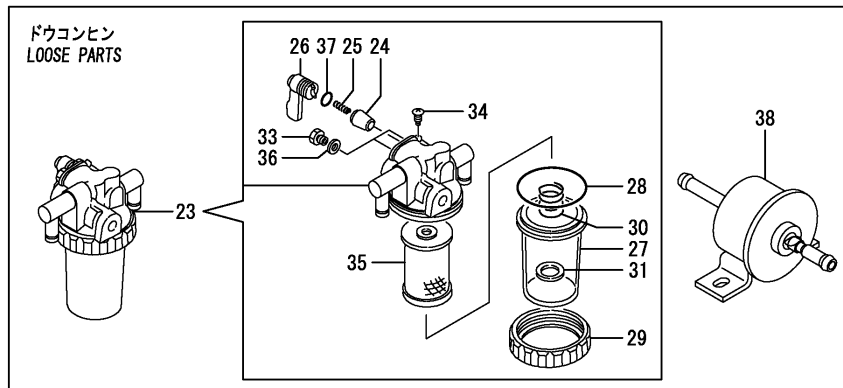
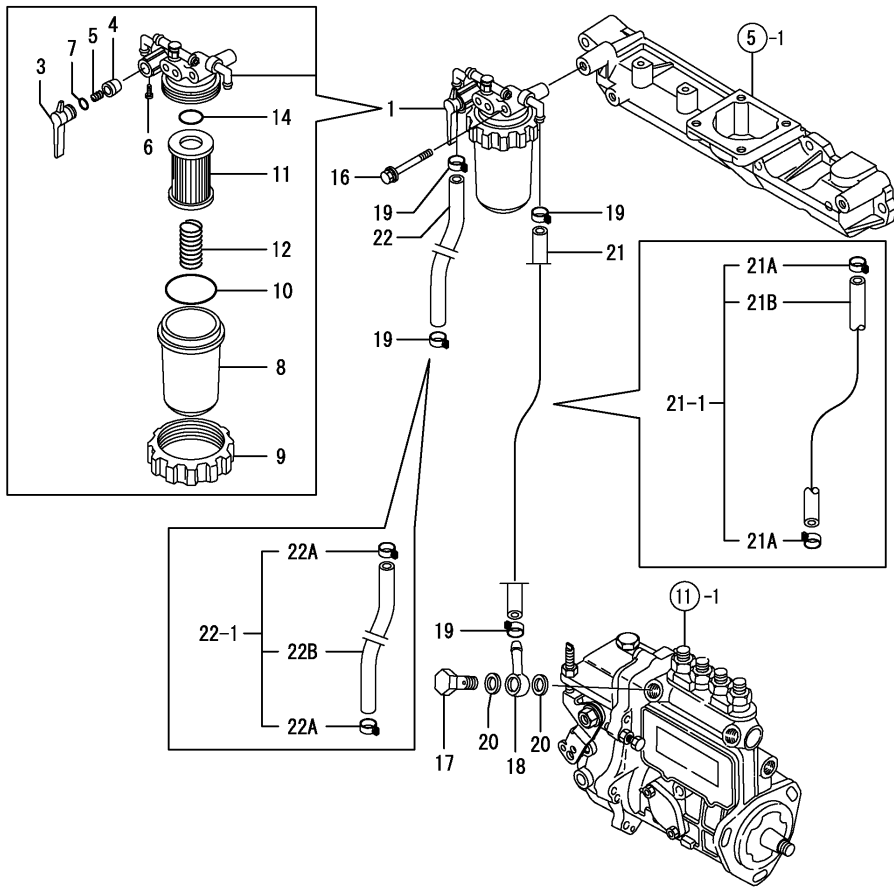
(D)=

(E)=

(F)=

No.	Lev.	Parts No.	Description	Q'ty						I	R
				(A)	(B)	(C)	(D)	(E)	(F)		
1	1	729503-53100	VALVE ASSY,INJECTION	4							
2	2	129503-53000	VALVE ASSY,INJECTION	4							
5	2	114250-53080	NUT, NOZZLE D16.95	4							
9	2	114250-53120	SPRING, NOZZLE	4							
10	2	114250-53130	SEAT, SPRING	4							
11	2	114250-53140	PLATE	4							
12	2	114250-53210	PIN	8							
13	2	114250-53400	SHIM SET	4							
20	1	119305-59120	RETAINER, PIPE	2							
23	2	129150-59131	BOLT, M4X14	2							
25	1	129407-59940	PIPE ASSY, INJECTION	1							
29	1	129407-59910	PIPE ASSY, INJECTION	1							
29-1	1	129612-59831	PIPE ASSY, INJECTION	1							N
		(A=E13341)									
33	1	129407-59930	PIPE ASSY, INJECTION	1							
33-1	1	129407-59920	PIPE ASSY, INJECTION	1							N
		(A=E13341)									
37	1	129407-59920	PIPE ASSY, INJECTION	1							
37-1	1	129407-59910	PIPE ASSY, INJECTION	1							N
		(A=E13341)									
41	1	124066-59100	CLIP, HOSE 8	9							
42	1	121250-59550	PIPE, FUEL D8X120	3							
43	1	119840-59560	PIPE, FUEL RETURN	1							
43-1	1	119840-59500	PIPE ASSY, RETURN	1							N
		(A=E46125)									
43A	2	124066-59100	CLIP, HOSE 8	2							W
		(A=E46125)									
43B	2	119840-59560	PIPE, FUEL RETURN	1							W
		(A=E46125)									
44	1	119840-59570	JOINT	1							
45	1	129150-59580	CAP	1							
46	1	129100-59951	VALVE ASSY, CHECK	1							
46-1	1	119813-59950	VALVE ASSY, CHECK	1							N
		(A=E90752)									
54	1	23414-120000	GASKET, 12X1.0	2							
54-1	1	22190-120002	WASHER, SEAL 12	2							N
		(A=E44316)									
55	1	124766-59050	CLIP, HOSE 12	2							Z
		(A=E36172)									
56	1	105025-59530	PIPE, FUEL D13X400	1							
56-1	1	129210-59150	PIPE ASSY, FUEL	1							N
		(A=E36172)									
57	2	124766-59050	CLIP, HOSE 12	2							W
		(A=E36172)									
58	2	105025-59530	PIPE, FUEL D13X400	1							W
		(A=E36172)									

Fig.14. FUEL LINE



(A)=4TNE88-IKA

(B)=

(C)=

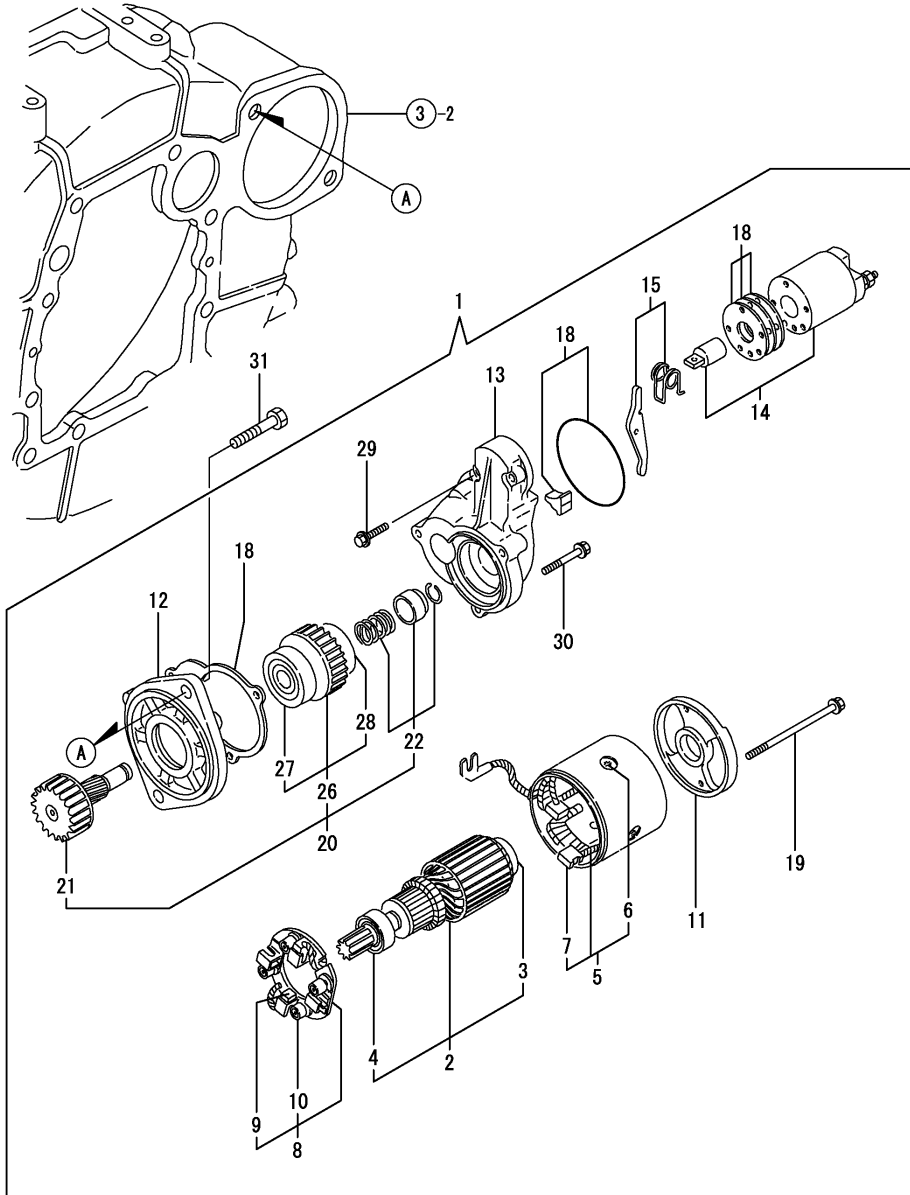
(D)=

(E)=

(F)=

No.	Lev.	Parts No.	Description	Qty						I	R
				(A)	(B)	(C)	(D)	(E)	(F)		
1	1	129052-55620	FILTER ASSY, FUEL	1							
3	2	129100-55670	LEVER	1							
4	2	104200-55321	VALVE, TAPER	1							
5	2	104200-55330	SPRING, VALVE	1							
6	2	104200-55750	SCREW, M4	1							
7	2	24311-240100	O-RING, 1AP10A	1							
8	2	129100-55680	CUP, STRAINER	1							
9	2	129100-55690	RING, RETAINING	1							
10	2	24321-000650	O-RING, 1AG65.0	1							
11	2	129100-55650	ELEMENT	1							
12	2	129100-55700	SPRING	1							
14	2	24311-000160	O-RING, 1AP16.0	1							
16	1	26014-080702	BOLT, M8X 70	1							
17	1	103854-39140	BOLT, PIPE JOINT	1							
18	1	101304-59020	JOINT, PIPE 12	1							
19	1	124766-59050	CLIP, HOSE 12	4							Z
		(A=E36172)									
20	1	22190-120002	WASHER, SEAL 12	2							
21	1	105312-59510	PIPE, FUEL	1							
21-1	1	129210-59050	PIPE ASSY, FUEL	1							N
		(A=E36172)									
21A	2	124766-59050	CLIP, HOSE 12	2							W
		(A=E36172)									
21B	2	105312-59510	PIPE, FUEL	1							W
		(A=E36172)									
22	1	105025-59530	PIPE, FUEL D13X400	1							
22-1	1	129210-59150	PIPE ASSY, FUEL	1							N
		(A=E36172)									
22A	2	124766-59050	CLIP, HOSE 12	2							W
		(A=E36172)									
22B	2	105025-59530	PIPE, FUEL D13X400	1							W
		(A=E36172)									
23	1	129335-55700	SEPARATOR ASSY,WATER	1							
24	2	104200-55321	VALVE, TAPER	1							
25	2	104200-55330	SPRING, VALVE	1							
26	2	104200-55341	HANDLE	1							
27	2	124064-55510	COVER	1							
28	2	102103-55520	O-RING	1							
29	2	110250-55610	RING, RETAINING	1							
30	2	121257-55720	SPRING	1							
31	2	121257-55731	FLOAT	1							
33	2	101720-55750	PLUG, 6	2							
34	2	104200-55750	SCREW, M4	1							
35	2	171081-55910	SCREEN	1							
36	2	23418-060000	GASKET, 6X1.0	2							
37	2	24311-240100	O-RING, 1AP10A	1							
38	1	119225-52102	PUMP ASSY, FUEL FEED	1							

Fig.15. STARTING MOTOR



(A)=4TNE88-IKA

(B)=

(C)=

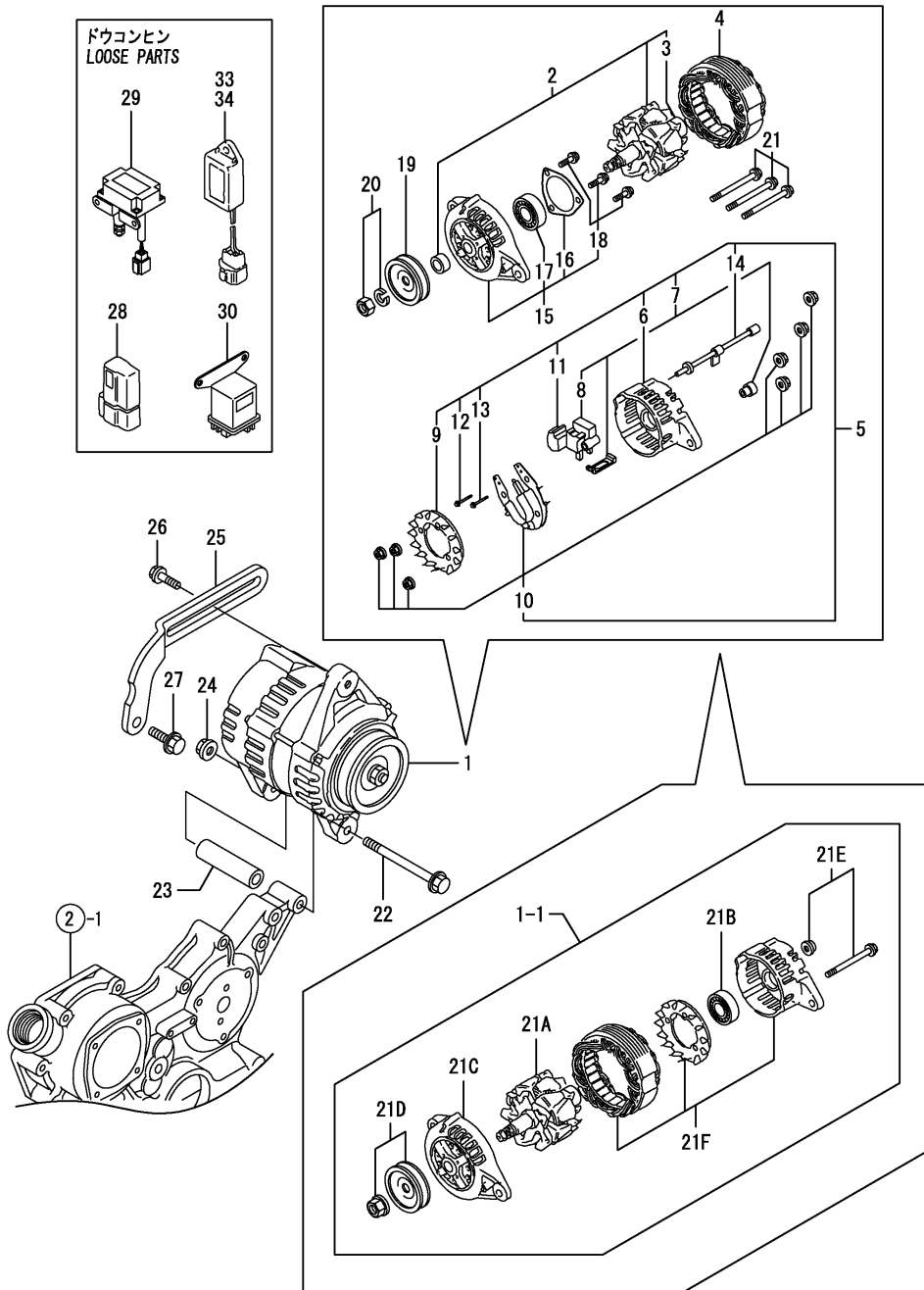
(D)=

(E)=

(F)=

No.	Lev.	Parts No.	Description	Q'ty						I	R
				(A)	(B)	(C)	(D)	(E)	(F)		
1	1	129400-77011	STARTER, S13-94A	1							
1-1	1	129400-77012	STARTING MOTOR	1							N
(A=E16404)											
2	2	129400-77400	ARMATURE ASSY	1							
3	3	X2130350900	BALL BEARING	1							
4	3	X2114255110	BEARING, BALL	1							
5	2	129400-77440	COIL ASSY, FIELD	1							
6	3	171008-77450	SCREW	4							
7	3	129400-77460	BRUSH (+)	2							
7-1	3	129486-77460	BRUSH	2							N
(A=E30770)											
8	2	129400-77470	HOLDER ASSY, BRUSH	1							
8-1	2	129486-77470	HOLDER ASSY, BRUSH	1							N
(A=E30770)											
9	3	129400-77480	BRUSH (-)	2							
9-1	3	129486-77460	BRUSH	2							N
(A=E30770)											
10	3	129400-77490	SPRING, BRUSH	4							
10-1	3	129486-77490	SPRING, START BRUSH	4							N
(A=E30770)											
11	2	129400-77510	COVER, REAR	1							
11-1	2	129900-77460	COVER, REAR	1							N
(A=E30770)											
12	2	171008-77510	HOUSING ASSY, GEAR	1							
13	2	129400-77520	HOUSING, CENTER	1							
14	2	129400-77530	SWITCH ASSY, MAGNETIC	1							
15	2	171008-77540	LEVER SET, SHIFT	1							
18	2	129400-77570	COVER KIT, DUST	1							
19	2	129400-77640	BOLT, THROUGH	2							
20	2	171008-77650	PINION ASSY	1							
21	3	171008-77660	SHAFT, PINION	1							
22	3	171008-77670	STOPPER SET, PINION	1							
26	3	X2114555500	CLUTCH ASSY	1							
27	4	X2114955020	BALL BEARING	1							
28	4	X2240410100	BEARING, BALL	1							
29	2	26106-060322	BOLT, M6X 32 PLATED	2							
30	2	26106-060402	BOLT, M6X 40 PLATED	3							
31	1	26116-120252	BOLT, M12X 25 PLATED	2							

Fig.16. GENERATOR



(A)=4TNE88-IKA

(B)=

(C)=

(D)=

(E)=

(F)=

No.	Lev.	Parts No.	Description	Q'ty						I	R
				(A)	(B)	(C)	(D)	(E)	(F)		
1	1	119836-77200	GENERATOR	1							
1-1	1	119836-77201	GENERATOR (AC)	1							R
		(A=E38536)									
2	2	119836-77700	ROTOR ASSY	1							Z
		(A=E38536)									
3	3	119836-77850	BALL BEARING	1							Z
		(A=E38536)									
4	2	119836-77710	STATOR ASSY	1							Z
		(A=E38536)									
5	2	119836-77721	COVER ASSY, REAR	1							Z
		(A=E38536)									
6	3	119836-77730	COVER, REAR	1							Z
		(A=E38536)									
7	3	119836-77741	BRUSH ASSY,REGULATOR	1							Z
		(A=E38536)									
8	4	119836-77750	BRUSH ASSY	1							Z
		(A=E38536)									
9	3	119836-77760	GUIDE, FAN SIDE	1							Z
		(A=E38536)									
10	3	119836-77770	DIODE ASSY	1							Z
		(A=E38536)									
11	3	119836-77780	CONDENSER	1							Z
		(A=E38536)									
12	3	119836-77871	BOLT (1)	1							Z
		(A=E38536)									
13	3	119836-77880	BOLT (2)	1							Z
		(A=E38536)									
14	3	119836-77890	WIRE ASSY, LEAD	1							Z
		(A=E38536)									
15	2	119836-77790	COVER ASSY, FRONT	1							Z
		(A=E38536)									
16	3	119836-77800	RETAINER, BEARING	1							Z
		(A=E38536)									
17	3	119836-77840	BALL BEARING	1							Z
		(A=E38536)									
18	3	119836-77860	SCREW KID	1							Z
		(A=E38536)									
19	2	119836-77810	PULLEY	1							Z
		(A=E38536)									
20	2	119836-77820	NUT ASSY, PULLEY	1							Z
		(A=E38536)									
21	2	119836-77830	BOLT, THROUGH	1							Z
		(A=E38536)									
21A	2	129612-77700	ROTOR ASSY	1							W
		(A=E38536)									
21B	2	129612-77710	BEARING, BALL	1							W
		(A=E38536)									
21C	2	129612-77730	BRACKET ASSY, FILTER	1							W
		(A=E38536)									
21D	2	129612-77740	PULLEY	1							W
		(A=E38536)									

Fig.16. GENERATOR

(A)=4TNE88-IKA

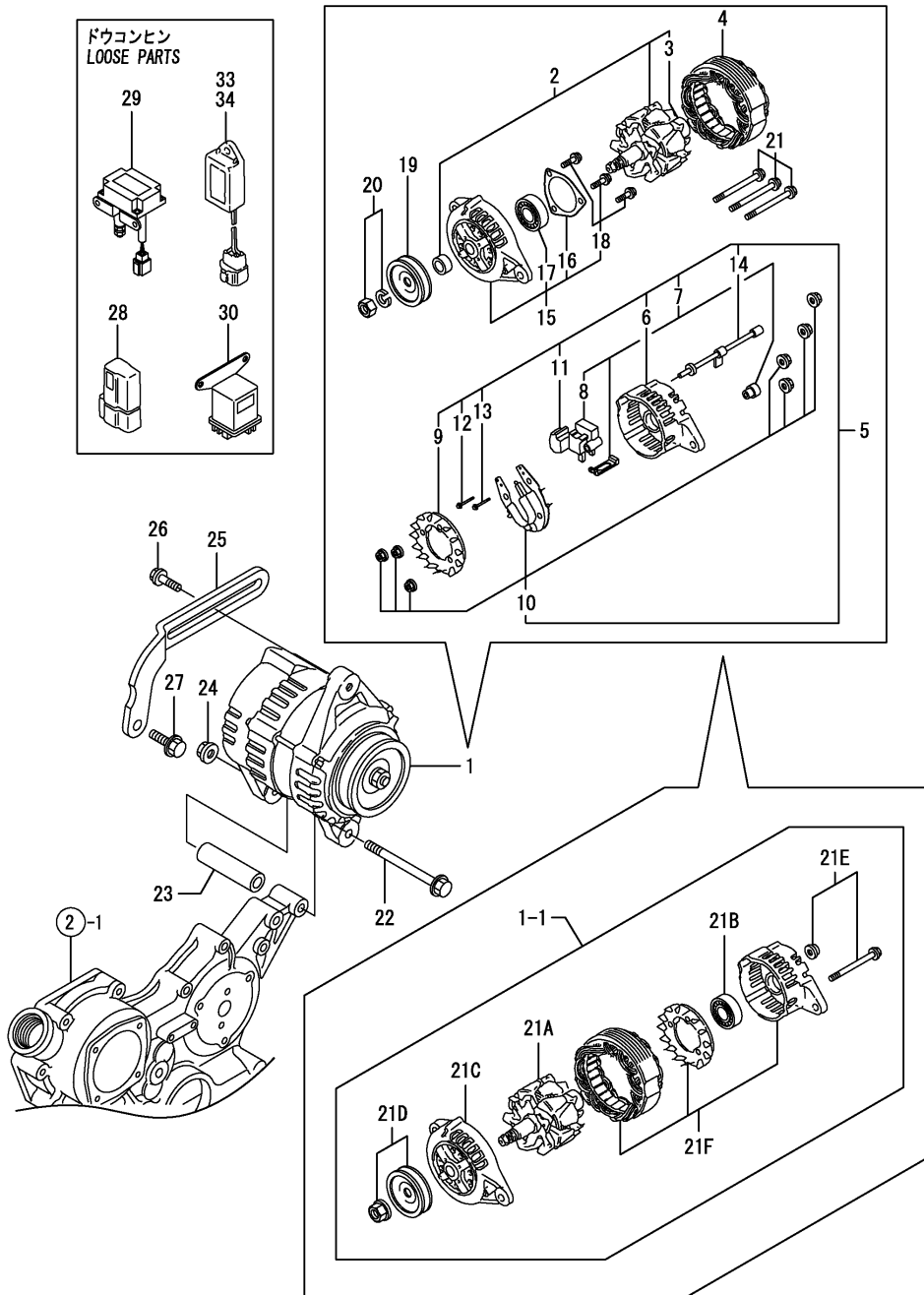
(B)=

(C)=

(D)=

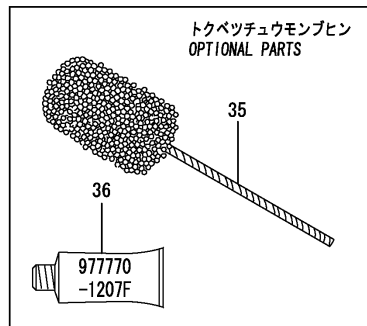
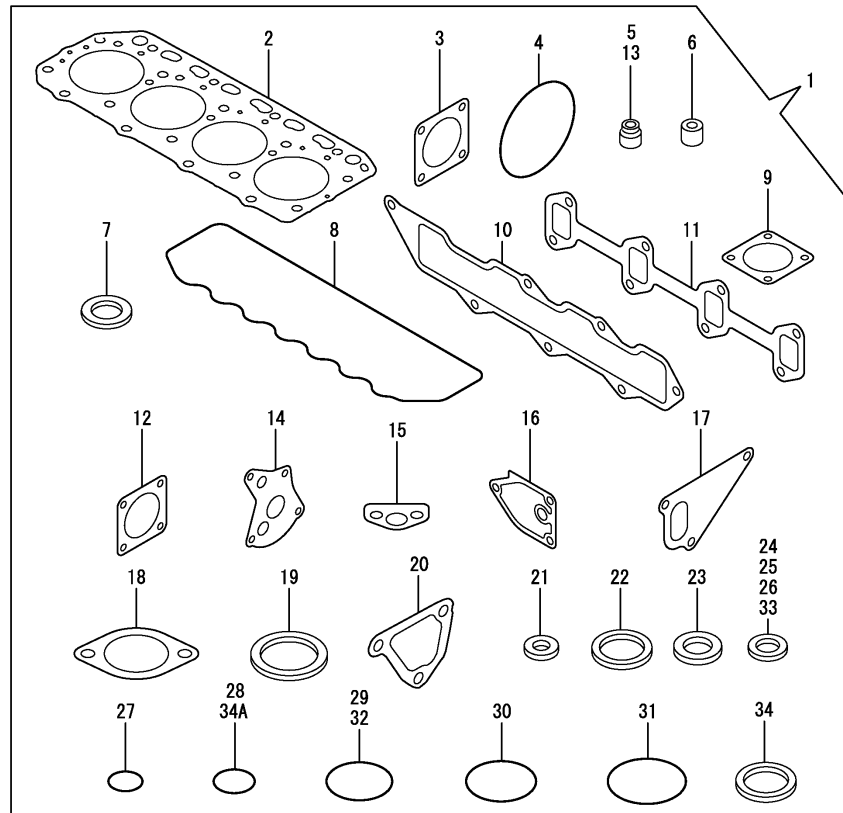
(E)=

(F)=



No.	Lev.	Parts No.	Description	Q'ty						I	R
				(A)	(B)	(C)	(D)	(E)	(F)		
21E	2	129612-77750	SCREW KIT	1							W
		(A=E38536)									
21F	2	119836-77920	BRACKET ASSY	1							W
		(A=E38536)									
22	1	129136-77250	BOLT M 8X105	1							
22-1	1	129136-77251	BOLT, M8X110	1							N
		(A=E33101)									
23	1	119820-77340	PIECE, DISTANCE	1							
24	1	26366-080002	NUT, M8	1							
24-1	1	129612-77260	NUT, ALTERNATOR	1							N
		(A=E39487)									
25	1	129100-77320	ADJUSTER	1							
26	1	26014-080252	BOLT, M8X 25	1							
26-1	1	119810-77340	BOLT, ADJUSTER	1							N
		(A=E33101)									
27	1	26106-080502	BOLT, M8X 50 PLATED	1							
27-1	1	26106-080452	BOLT, M8X 45 PLATED	1							N
		(A=EA1673)									
28	1	119643-66900	DIODE	1							
29	1	129136-77101	RELAY, SAFETY	1							
30	1	119650-77910	RELAY ASSY, GLOW	1							
33	1	119632-77920	TIMER	1							
33-1	1	129211-77920	TIMER	1							N
		(A=E57685)									
34	1	128300-77920	TIMER	1							

Fig.17. GASKET SET



Remarks
(1) OPTIONAL PARTS.

(A)=4TNE88-IKA
(B)=
(C)=

(D)=
(E)=
(F)=

No.	Lev.	Parts No.	Description	Qty						I	R
				(A)	(B)	(C)	(D)	(E)	(F)		
1	1	729407-92660	GASKET SET	1							1
1-1	1	729407-92661	GASKET SET	1							N 1
(A=EXXXXX)											
2	2	129407-01340	GASKET, HEAD	1							
3	2	124240-01883	GASKET	1							Z
(A=EXXXXX)											
4	2	121850-51960	O-RING	1							
5	2	124460-11340	SEAL, VALVE STEM	4							
6	2	119625-11871	PROTECTOR, NOZZLE	4							
6-1	2	119625-11870	PROTECTOR, NOZZLE	4							N
(A=E77692)											
7	2	119625-11880	SEAT, NOZZLE	4							
8	2	129550-11310	GASKET, BONNET	1							
9	2	129150-77511	GASKET	1							
10	2	129407-12110	GASKET, MANIFOLD	1							
11	2	129550-13110	GASKET	1							
12	2	129400-13201	GASKET, SILENCER	1							
13	2	121400-11340	SEAL, VALVE STEM	4							
14	2	129150-32020	GASKET, PUMP	1							
15	2	129150-35041	GASKET	1							
15-1	2	129150-35042	GASKET	1							N
(A=E94831)											
16	2	129150-35111	GASKET	1							
17	2	129100-42020	GASKET, WATER PUMP	1							
17-1	2	129486-42021	GASKET, WATER PUMP	1							N
(A=E46125)											
18	2	129795-49551	GASKET	1							
19	2	129150-49811	GASKET, THERMOSTAT	1							
20	2	129100-49840	GASKET	1							
20-1	2	124395-49840	GASKET	1							R
(A=E71674)											
21	2	129155-52050	GASKET	1							
22	2	22190-120002	WASHER, SEAL 12	2							
23	2	22190-080002	WASHER, SEAL 6	7							
24	2	23414-100000	GASKET, 10X1.0	4							
24-1	2	22190-100002	WASHER, SEAL 10	2							N
(A=E38536)											
25	2	124465-44950	GASKET, 16	1							
26	2	23414-120000	GASKET, 12X1.0	2							
26-1	2	22190-120002	WASHER, SEAL 12	2							N
(A=E44316)											
27	2	24311-000120	O-RING, 1AP12.0	3							
28	2	24311-000160	O-RING, 1AP16.0	3							
28-1	2	24311-000160	O-RING, 1AP16.0	1							K
(A=E68749)											
29	2	24311-000320	O-RING, 1AP32.0	2							
30	2	24341-000240	O-RING, 1AS24.0	1							
31	2	24341-000500	O-RING, 1AS50.0	1							
32	2	24321-000300	O-RING, 1AG30.0	1							
32-1	2	129486-42140	O-RING, G30	1							N
(A=E44316)											

Parts No. Index

Parts No.	Fig. No.	Ref. No.
101304-59020	14	18
101720-55750	14	33
102103-55520	14	28
103854-39140	14	17
104200-55321	14	4
		24
104200-55330	14	5
		25
104200-55341	14	26
104200-55750	14	6
		34
105025-59530	13	56
		58
	14	22
		22 B
105312-59510	14	21
		21 B
110250-55610	14	29
114250-53080	13	5
114250-53120	13	9
114250-53130	13	10
114250-53140	13	11
114250-53210	13	12
114250-53400	13	13
119131-18320	6	5 -1
119225-52102	14	38
119233-77931	12	78
119233-77932	12	78 -1
119305-59120	13	20
119609-32040	2	13 -1
	17	34 A
119620-01750	3	3
119620-49290	10	33
119625-11870	4	25 -1
	17	6 -1
119625-11871	4	25
	17	6
119625-11880	4	26
	17	7
119625-11900	4	27
119632-77920	16	33
119640-01640	3	7
119643-66900	16	28
119650-77910	16	30
119660-61901	12	56
119717-51420	11	87 -1
119802-11280	4	41 -1
119810-77340	16	26 -1
119813-59950	13	46 -1
119820-77340	16	23

Parts No.	Fig. No.	Ref. No.
119836-77200	16	1
119836-77201	16	1 -1
119836-77700	16	2
119836-77710	16	4
119836-77721	16	5
119836-77730	16	6
119836-77741	16	7
119836-77750	16	8
119836-77760	16	9
119836-77770	16	10
119836-77780	16	11
119836-77790	16	15
119836-77800	16	16
119836-77810	16	19
119836-77820	16	20
119836-77830	16	21
119836-77840	16	17
119836-77850	16	3
119836-77860	16	18
119836-77871	16	12
119836-77880	16	13
119836-77890	16	14
119836-77920	16	21 F
119840-59500	13	43 -1
119840-59560	13	43
		43 B
119840-59570	13	44
119865-21600	8	15
119908-61501	12	31 -1
120130-11860	4	11
121023-01550	2	25
121023-01551	2	25 -1
121111-21501	8	12
121250-59550	13	42
121252-39450	9	31
121256-44600	10	43
121257-55720	14	30
121257-55731	14	31
121400-11340	4	22
	17	13
121422-12580	5	14
121450-01560	2	6
121450-42450	10	26
121450-44531	10	38
121470-44581	10	40
121520-34810	9	17
121550-23200	8	29
121820-12560	5	13
121850-11860	10	1
121850-21680	8	11

Parts No.	Fig. No.	Ref. No.
121850-51960	2	12
	17	4
121872-12700	5	17
122117-51560	11	50
122710-51090	11	10
123900-13610	6	6 -1
123900-13630	6	4 -1
124064-55510	14	27
124066-59100	13	41
		43 A
124160-01751	2	7
	4	46
124160-01910	1	5
		6
124160-11360	4	56
124160-39140	9	32
124240-01871	2	8
124240-01883	2	9
	17	3
124395-49840	10	24 -1
	17	20 -1
124450-44550	10	42
124450-44560	10	39
124460-11340	4	23
	17	5
124465-44950	10	27
	17	25
124550-51350	11	32
124550-51370	11	33
124550-59820	9	20
		20 A
124550-59830	9	20 -1
124550-66370	12	58
124736-07900	4	5
124766-59050	13	55
		57
	14	19
		21 A
		22 A
124950-51190	11	17
126650-12680	5	15
128300-77920	16	34
129001-01250	1	12 -1
129001-02930	1	28 A
129001-02931	1	28 A-1
129001-22081	8	16
129001-22500	8	18
129001-22901	8	32
129001-22950	8	34
129001-35300	9	27

Parts No.	Fig. No.	Ref. No.
129001-42002	10	2
129001-42003	10	2 -1
129001-42004	10	2 -2
129001-42040	10	30
129001-91841	2	21 -1
129052-55620	14	1
129052-61050	12	5
129052-61051	12	5 -1
129052-61060	12	6
129052-61070	12	7
129052-61071	12	7 -1
129052-61390	12	30
129052-61500	12	31
129052-61540	12	46
129100-01580	3	1
		15
	8	2
129100-01640	3	16
129100-11100	4	17
129100-11110	4	18
129100-11111	4	18 -1
129100-11112	4	18 -2
129100-23910	8	28
129100-25061	7	9
129100-42020	10	44
	17	17
129100-49840	10	24
	17	20
129100-51560	11	51 -1
129100-51570	11	50 -1
129100-52200	11	95
129100-55650	14	11
129100-55670	14	3
129100-55680	14	8
129100-55690	14	9
129100-55700	14	12
129100-59951	13	46
129100-61400	12	16
129100-61440	12	75
129100-61650	12	76
129100-77320	16	25
129120-77501	5	6
129120-77502	5	6 -1
129136-77101	16	29
129136-77250	16	22
129136-77251	16	22 -1
129150-01200	1	30
129150-02020	1	8
129150-02450	7	4
129150-02870	1	32

Parts No. Index

Parts No.	Fig. No.	Ref. No.
129150-02871	1	32 -1
129150-02930	1	25
129150-02931	1	25 -1
129150-02940	1	35
129150-02941	1	35 -1
129150-03020	4	47
129150-03070	4	48
129150-03080	4	49
129150-03100	2	11
	4	58
129150-11230	4	38
129150-11280	4	33
129150-11370	4	24
129150-11750	4	40
129150-11810	4	13
129150-14101	7	7
129150-14200	7	1
129150-14400	7	2
129150-21200	8	5
129150-23600	8	30
129150-23601	8	30 -1
129150-23610	8	38
129150-23611	8	38 -1
129150-25101	7	10
129150-25900	7	15
129150-25920	7	13
129150-32020	9	14
	17	14
129150-35041	9	18
	17	15
129150-35042	9	18 -1
	17	15 -1
129150-35101	9	24
129150-35111	9	25
	17	16
129150-35153	9	26
129150-35350	9	28
129150-49360	10	29
	17	33
129150-49811	10	23
	17	19
129150-59131	13	23
129150-59580	13	45
129150-77511	5	7
	17	9
129155-11260	4	31
129155-11270	4	32
129155-49800	10	22
129155-49801	10	22 -1
129155-51020	11	5

Parts No.	Fig. No.	Ref. No.
129155-51050	11	8
129155-51051	11	8 -1
129155-51060	11	9
129155-51140	11	14
129155-51180	11	16
129155-51200	11	18
129155-51270	11	25
129155-51280	11	26
	12	2
129155-51320	11	30
129155-51340	11	31
129155-51370	11	34
129155-51380	11	35
129155-51390	11	36
129155-51410	11	38
129155-51420	11	39
129155-51450	11	40
129155-51521	11	46
129155-51530	11	47
129155-51540	11	48
129155-51550	11	49
129155-51570	11	52
129155-51580	11	53
129155-51591	11	54
129155-51600	11	55
129155-51701	11	74 -1
129155-51711	11	75 -1
129155-51751	11	76 -1
129155-51761	11	77 -1
129155-51790	11	78
129155-51930	11	80
129155-51940	11	81
129155-52050	11	94
	17	21
129155-52051	11	94 -1
129155-61120	12	8
129155-61130	12	9
129155-61140	12	10
129155-61201	12	11
129155-61202	12	11 -1
129155-61341	12	15
129155-61350	12	105
129155-61360	12	106
129155-61430	12	19
129155-61450	12	23
129155-61460	12	24
129155-61470	12	80
129155-61480	12	25
129155-61830	12	55
129155-61950	12	57

Parts No.	Fig. No.	Ref. No.
129156-51910	11	79
129202-22300	8	22
129209-61370	12	15 A
129209-61930	12	79 -1
129209-61970	12	80 A
129210-59050	14	21 -1
129210-59150	13	56 -1
	14	22 -1
129211-77920	16	33 -1
129335-55700	14	23
129350-49560	10	20
129400-01520	2	5
129400-01730	3	10
129400-11350	4	45
129400-13201	6	7
	17	12
129400-77011	15	1
129400-77012	15	1 -1
129400-77400	15	2
129400-77440	15	5
129400-77460	15	7
129400-77470	15	8
129400-77480	15	9
129400-77490	15	10
129400-77510	15	11
129400-77520	15	13
129400-77530	15	14
129400-77570	15	18
129400-77640	15	19
129400-92420	17	35
129402-13100	6	1
129402-13101	6	1 -1
129407-01340	1	31
	17	2
129407-11700	4	7
129407-12110	5	3
	17	10
129407-12120	5	1
129407-21000	8	1
129407-21100	8	1 -1
129407-32000	9	1
129407-59910	13	29
		37 -1
129407-59920	13	33 -1
		37
129407-59930	13	33
129407-59940	13	25
129410-03090	4	1
129436-01780	3	6
129436-35070	9	19 -1

Parts No.	Fig. No.	Ref. No.
129436-35091	9	19
129450-51300	11	27
129470-51040	11	6
129486-01670	3	19
129486-42021	10	44 -1
	17	17 -1
129486-42140	10	31 -1
	17	32 -1
129486-61540	12	46 -1
129486-77460	15	7 -1
		9 -1
129486-77470	15	8 -1
129486-77490	15	10 -1
129489-61700	12	77
129503-53000	13	2
129506-51100	11	11
129550-11290	4	34
129550-11310	4	52
	17	8
129550-13110	6	2
	17	11
129550-39450	9	33
129555-11241	4	30
129555-51400	11	37
129555-51500	11	45
129555-51700	11	74
129555-51710	11	75
129555-51750	11	76
129555-51760	11	77
129556-42350	10	16
129612-01600	3	2 -1
129612-12500	5	10
129612-12550	5	12
129612-12630	5	11
129612-12640	5	16
129612-13530	6	8
129612-13600	6	9
129612-21590	8	13
129612-44700	10	17
129612-59831	13	29 -1
129612-77260	16	24 -1
129612-77700	16	21 A
129612-77710	16	21 B
129612-77730	16	21 C
129612-77740	16	21 D
129612-77750	16	21 E
129795-01780	3	18
129795-01800	2	4
129795-01950	2	10
129795-02411	1	28

Parts No. Index

Parts No.	Fig. No.	Ref. No.
129795-02412	1	28 -1
129795-11120	4	19
129795-11180	4	20
129795-21661	8	10
129795-49551	10	21
	17	18
129900-77460	15	11 -1
129916-49740	10	12 -1
158552-61900	12	66 -1
171008-77450	15	6
171008-77510	15	12
171008-77540	15	15
171008-77650	15	20
171008-77660	15	21
171008-77670	15	22
171051-01921	1	7
171056-49351	10	28
171064-44510	10	36
171081-55910	14	35
171091-13670	6	12
171301-01600	3	2
171301-21650	8	9
171353-44760	10	18
171353-61550	12	81
171420-34820	9	16
174307-51170	11	15
174307-51560	11	51
174307-51700	12	32
194990-22050	6	3
		10
22117-040000	12	59
22190-060002	12	60
22190-060003	12	60 -1
22190-080002	2	23
		24
	9	20 B
		21
		21 -1
	17	23
22190-100002	9	22 -1
	12	61
	17	24 -1
22190-120002	12	62
	13	54 -1
	14	20
	17	22
		26 -1
22190-160002	11	82
22190-220002	3	9
	17	34

Parts No.	Fig. No.	Ref. No.
22217-050000	11	83
22217-060000	11	84
22217-120000	7	16
22252-000260	8	23
22287-120000	12	63
22351-040010	8	8
22351-050010	11	85
22351-060012	4	28
22372-040000	12	64
22512-070140	7	8
	8	6
23000-060000	5	18
23000-070000	5	9
23065-070225	10	41
23414-100000	9	22
	17	24
23414-120000	13	54
	17	26
23414-120016	12	80 B
23418-060000	14	36
23871-010000	1	11
23871-030000	1	15
	10	12
23876-010000	1	11 -1
23876-030000	1	15 -1
23887-100002	12	65
24101-063034	11	86
24311-000120	4	57
	17	27
24311-000160	2	13
	9	29
	14	14
	17	28
		28 -1
24311-000320	2	14
	4	53
	17	29
24311-240100	14	7
		37
24316-000150	11	33 -1
24321-000300	10	31
	17	32
24321-000650	14	10
24341-000160	11	87
24341-000240	2	26
	17	30
24341-000280	12	66
24341-000500	4	54
	17	31
25132-003800	10	15

Parts No.	Fig. No.	Ref. No.
26014-060352	10	19
26014-080252	16	26
26014-080702	14	16
26022-050102	11	88
26022-060162	11	89
26106-060102	12	67
		68
		69
26106-060122	2	27
26106-060142	12	70
26106-060162	2	27 -1
26106-060202	12	71
26106-060322	15	29
26106-060402	15	30
26106-080122	2	15
26106-080142	4	6
	7	18 -1
26106-080162	2	16
		17
	3	12
	4	55
	7	18
	10	32
26106-080202	2	18
	5	4
	9	30
	10	25
26106-080252	3	13
	4	43
26106-080352	3	20
	5	8
	6	11
	9	23
26106-080452	2	19
	3	14
		14 -1
	7	14
	16	27 -1
26106-080502	3	22
	4	44
	5	5
	16	27
26106-080552	2	20
	9	23 -1
26106-080602	10	14
26106-080802	6	4
26106-080852	2	21
26106-100162	6	13
26116-050302	11	90
26116-120252	15	31

Parts No.	Fig. No.	Ref. No.
26206-100252	3	4
26206-100302	3	5
26216-060202	4	15
26216-080222	6	5
26216-080802	6	6
26226-080182	4	41
26306-080002	2	22 -1
	6	3 -1
		10 -1
26366-060002	4	29
26366-080002	2	22
	12	74
	16	24
26450-060252	9	15
26687-120002	12	79
26716-060002	11	91
26716-120002	7	17
26736-120002	12	72 A
26756-060002	12	72
26756-080002	4	42
26776-120002	12	73
		73 -1
27231-500000	1	12
27241-120000	1	13
27241-300000	1	14
27241-400000	4	16
27310-080001	4	21
719810-01500	2	1
729402-11650	4	37
729402-14580	7	3
729402-23100	8	24
729407-01561	1	1
729407-92660	17	1
729407-92661	17	1 -1
729503-53100	13	1
729613-51390	11	1
977770-1207F	2	28
	3	21
	17	36
X2114255110	15	4
X2114555500	15	26
X2114955020	15	27
X2130350900	15	3
X2240410100	15	28