

OCD10-M60000EN

Directions for the Parts Catalog.

1. This Parts Catalog shows both standard and optional parts.
2. Parts may change without prior notice.
3. The following is an example of the Parts Catalog format.

REF.	LEV.	PARTS NO.	DESCRIPTION	Q'TY						I	R
				(A)	(B)	(C)	(D)	(E)	(F)		
1	1	729595-51390	FUEL INJECTION PUMP	1	1	1	1	1			1
1-1	1	729595-51391	FUEL INJECTION PUMP	1	1	1	1	1		N	1
		(A=E00185) (B=E00200)									
3	2	26022-060162	SCREW M 6X 16	9	9	9	9	9			
3-1	2	26022-060162	SCREW M 6X 16	4	4	4	4	4		K	
		(A=E00156) (B=E00156) (C=E00156) (D=E00156) (E=E00156)									
4	2	129470-51040	CAMSHAFT	1	1	1	1	1			
5	2	122710-51050	BEARING, ROLLER	2	2	2	2	2			
6	2	129470-51060	RETAINER	1	1	1	1	1			

Remarks
(1) BOOST COMPEMSATOR TYPE. OPTIONAL PART, TO E00155,(4JH-DT, 4JH-DTZ

① Ref. No.

The Ref. No. listed may not be in accordance with the illustration Ref. No.

(Ex.) Illustration No.

List Ref No.

1

1

(Before change)

1-1

(After change)

For interchangeable symbols N, R and K, illustrations for new parts may be abbreviated.

② Lev. (Level)

Level indication

The numbers below indicate the level of relativity towards the main part.

1 ----- Main parts (Assembly parts)

2 ----- Sub component included in " 1 ".

3 ----- Sub component included in " 2 ".

Note) Parts that are not for sale are partially illustrated but not listed.

③ Interchangeability Symbol

When a part change takes place, one of the following interchangeability symbols is indicated beside the part.

Symbol	Interchangeability	Contents note
N	Old $\begin{matrix} \leftarrow \text{Yes} \\ \text{No} \rightarrow \end{matrix}$ New	New Part is interchangeable for Old Part but Old Part is not interchangeable for New Part.
Q	Old $\begin{matrix} \leftarrow \text{No} \\ \text{Yes} \rightarrow \end{matrix}$ New	New Part is not interchangeable for Old Part but Old Part is interchangeable for New Part.
R	Old $\begin{matrix} \leftarrow \text{Yes} \\ \text{Yes} \rightarrow \end{matrix}$ New	New/ Old Parts are both interchangeable.
S	Old $\begin{matrix} \leftarrow \text{No} \\ \text{No} \rightarrow \end{matrix}$ New	New/ Old Parts are both not interchangeable.
W		Part newly added.
Z		Part discontinued.
F		Not interchangeable by a single part but interchangeable together with related parts.
K		Changes only for used parts quantities.

④ Effective Machine No.

When a part changes, the effective Machine No. will be indicated in the (A)-(F) column.

Product Symbol	Product No.	Product Symbol	Product No.
C	Clutch No. Compressor No.	F	Machine No. (Agricultural Equip.)
D	Drive No.	M	Machine No.
E	Engine No.		

Note 1) A date may follow the symbol. (Ex.) 1996.01

Note 2) "XXXXX" and "ZZZZZ" are for parts that could not be predicted or for engine models that could not be identified.

Note 3) (A=E00185) is the E (Engine Serial Number) for the column (A) model (in this case 4JH-DT) after the parts design change.

⑤ Remarks

Figures or alphabets (symbols) are entered in the remarks column.

The comments (remarks) on parts that are indicated at the bottom of the illustration are the same symbols as those stated above.

Contents

OCD10-M60000

Fig. No. Fig. Name

Fig. No. Fig. Name

3TNE68-ST

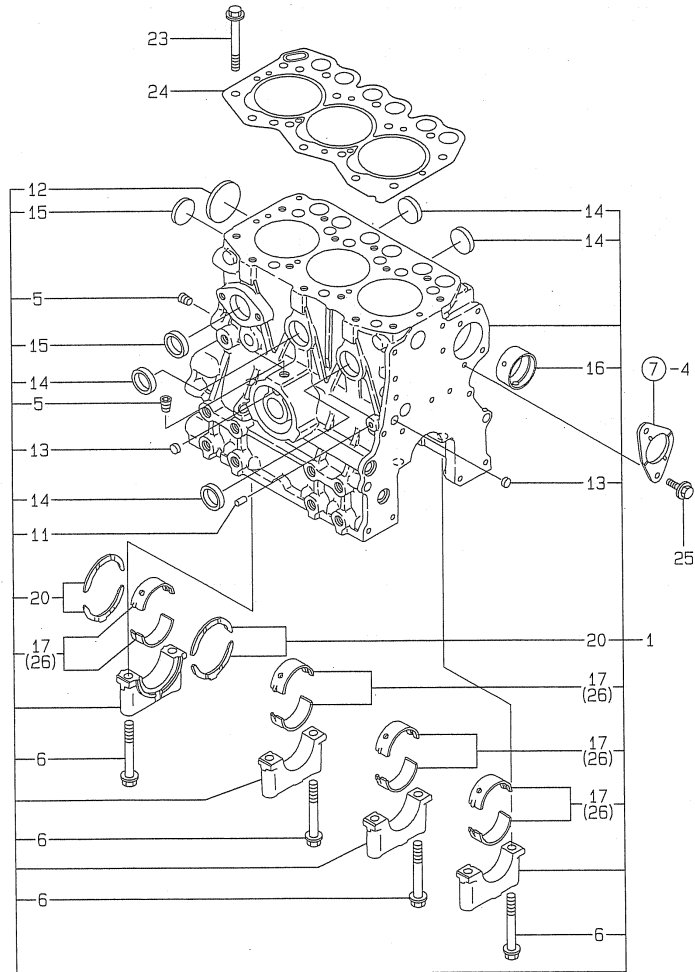
1. CYLINDER BLOCK
2. GEAR HOUSING
3. FLYWHEEL HOUSING & OIL SUMP
4. CYLINDER HEAD & BONNET
5. SUCTION MANIFOLD & AIR CLEANER
6. EXHAUST MANIFOLD & SILENCER
7. CAMSHAFT & DRIVING GEAR
8. CRANKSHAFT & PISTON
9. LUB.OIL SYSTEM
10. COOLING WATER SYSTEM
11. FUEL INJECTION PUMP
12. GOVERNOR
13. FUEL INJECTION VALVE
14. FUEL LINE
15. STARTING MOTOR
16. GENERATOR
17. ELECTRIC PARTS
18. GASKET SET

Fig.1. CYLINDER BLOCK

(A)=3TNE68-ST
(B)=
(C)=

(D)=
(E)=
(F)=

Y00D6000
3TNE68-ST



No.	Lev.	Parts No.	Description	Q'ty						I	R
				(A)	(B)	(C)	(D)	(E)	(F)		
1	1	719265-01560	BLOCK ASSY, CYLINDER	1							
5	2	124060-01050	PLUG, PT1/8	2							
6	2	119260-02020	BOLT, METAL CAP	8							
11	2	27221-060100	PLUG, 6X10	1							
12	2	27231-400000	PLUG 40	1							
13	2	27241-100000	PLUG, 10	2							
14	2	27241-250000	PLUG, 25	4							
15	2	27241-300000	PLUG 30	2							
16	2	119260-02410	BUSH, CAMSHAFT	1							
17	2	719260-02800	BEARING, MAIN	4							
20	2	719260-02930	BEARING, THRUST	2							
23	1	119260-01200	BOLT, HEAD	14							
24	1	119265-01341	GASKET, HEAD	1							
25	1	26106-060122	BOLT, M6X 12 PLATED	2							
26	1	719260-02870	BEARING, 0.25 US	4							1

Remarks

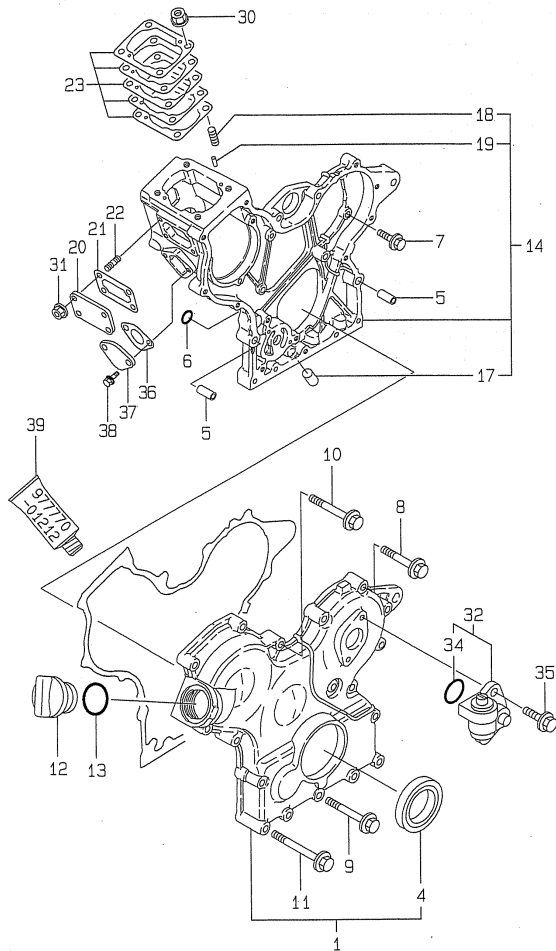
(1) UNDER-SIZE(U.S=0.25)PART.

Fig.2. GEAR HOUSING

(A)=3TNE68-ST
(B)=
(C)=

(D)=
(E)=
(F)=

Y00D6000
3TNE68-ST



No.	Lev.	Parts No.	Description	Q'ty						I	R
				(A)	(B)	(C)	(D)	(E)	(F)		
1	1	119260-01590	COVER ASSY, GEAR CASE	1							
4	2	119620-01800	SEAL, OIL	1							
5	1	119660-01911	PIPE, KNOCK	4							
6	1	24311-000120	O-RING, 1AP12.0	2							
7	1	26106-060162	BOLT, M6X 16 PLATED	5							
8	1	26106-060302	BOLT, M6X 30 PLATED	5							
9	1	26106-060402	BOLT, M6X 40 PLATED	3							
10	1	26106-060502	BOLT, M6X 50 PLATED	4							
11	1	26106-060652	BOLT, M6X 65 PLATED	6							
12	1	124160-01751	COVER, FILLER	1							
13	1	24311-000320	O-RING, 1AP32.0	1							
14	1	119260-01490	CASE ASSY, GEAR	1							
17	2	119260-01510	PLUG	1							
18	2	121450-01560	STUD, M8X22	4							
19	2	22351-040010	PIN, SPRING 4.0X10	2							
20	1	119660-01551	COVER	1							
21	1	119660-01562	GASKET	1							
22	1	119660-01570	STUD, M6X12	4							
23	1	119623-01950	SHIM SET, ADJUSTING	1							
30	1	194990-22050	NUT, M8	4							
31	1	26366-060002	NUT, M6	4							
32	1	129150-91400	GEAR	1							
34	2	24341-000240	O-RING, 1AS24.0	1							
35	1	26106-060162	BOLT, M6X 16 PLATED	2							
36	1	121520-01851	GASKET	1							
37	1	121520-01860	COVER	1							
38	1	26106-060162	BOLT, M6X 16 PLATED	2							
39	1	977770-01212	GASKET, LIQUID	1							1

Remarks

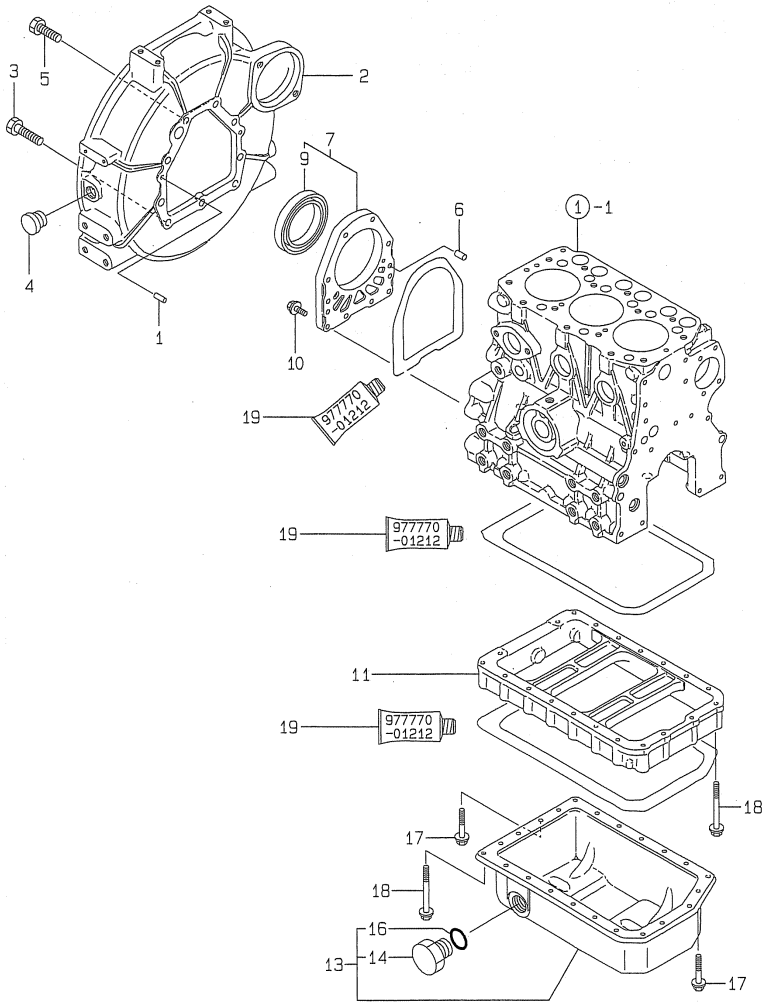
(1) OPTIONAL PART.

Fig.3. FLYWHEEL HOUSING & OIL SUMP

(A)=3TNE68-ST
(B)=
(C)=

(D)=
(E)=
(F)=

Y00D6000
3TNE68-ST



No.	Lev.	Parts No.	Description	Q'ty						I	R
				(A)	(B)	(C)	(D)	(E)	(F)		
1	1	129100-01580	PIN, M8X16	2							
2	1	119600-01600	HOUSING, FLYWHEEL	1							
3	1	121120-01620	BOLT, M10X28	3							
4	1	119620-01750	CAP	1							
5	1	26206-100252	BOLT, M10X 25 PLATED	6							
6	1	119620-01620	PIN, M6X10	2							
7	1	119660-01640	CASE ASSY, OIL SEAL	1							
9	2	124085-02220	SEAL, OIL	1							
10	1	26106-060222	BOLT, M6X 22 PLATED	10							
11	1	119454-01721	SPACER, OIL SUMP	1							
13	1	119260-01770	SUMP ASSY, OIL	1							
14	2	121400-01640	PLUG, 16	1							
16	2	24311-000180	O-RING, 1AP18.0	1							
17	1	26106-060102	BOLT, M6X 10 PLATED	3							
18	1	26106-060452	BOLT, M6X 45 PLATED	20							
19	1	977770-01212	GASKET, LIQUID	1							1

Remarks

(1) OPTIONAL PART.

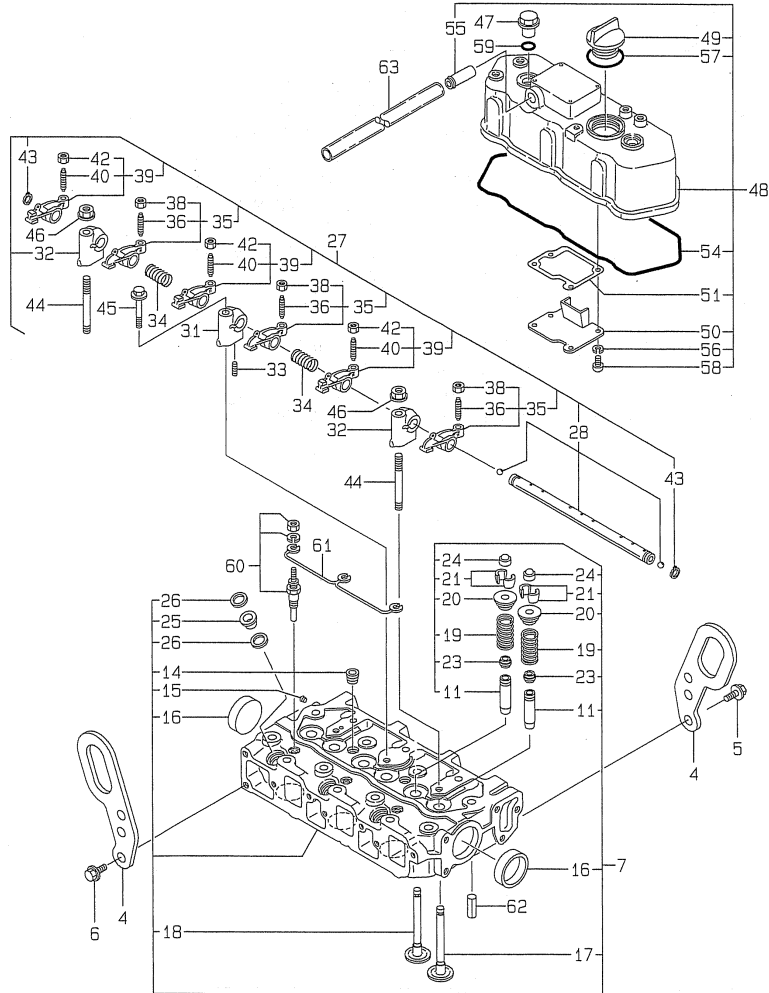
N:Old $\xrightarrow{\text{Yes}}$ New, Q:Old $\xrightarrow{\text{No}}$ New, R:Old $\xrightarrow{\text{Yes}}$ New, S:Old $\xrightarrow{\text{No}}$ New, W:Add, Z:Discontinued, F:Interchangeable by set, K:Q'ty Change

Fig.4. CYLINDER HEAD & BONNET

(A)=3TNE68-ST
(B)=
(C)=

(D)=
(E)=
(F)=

Y00D6000
3TNE68-ST



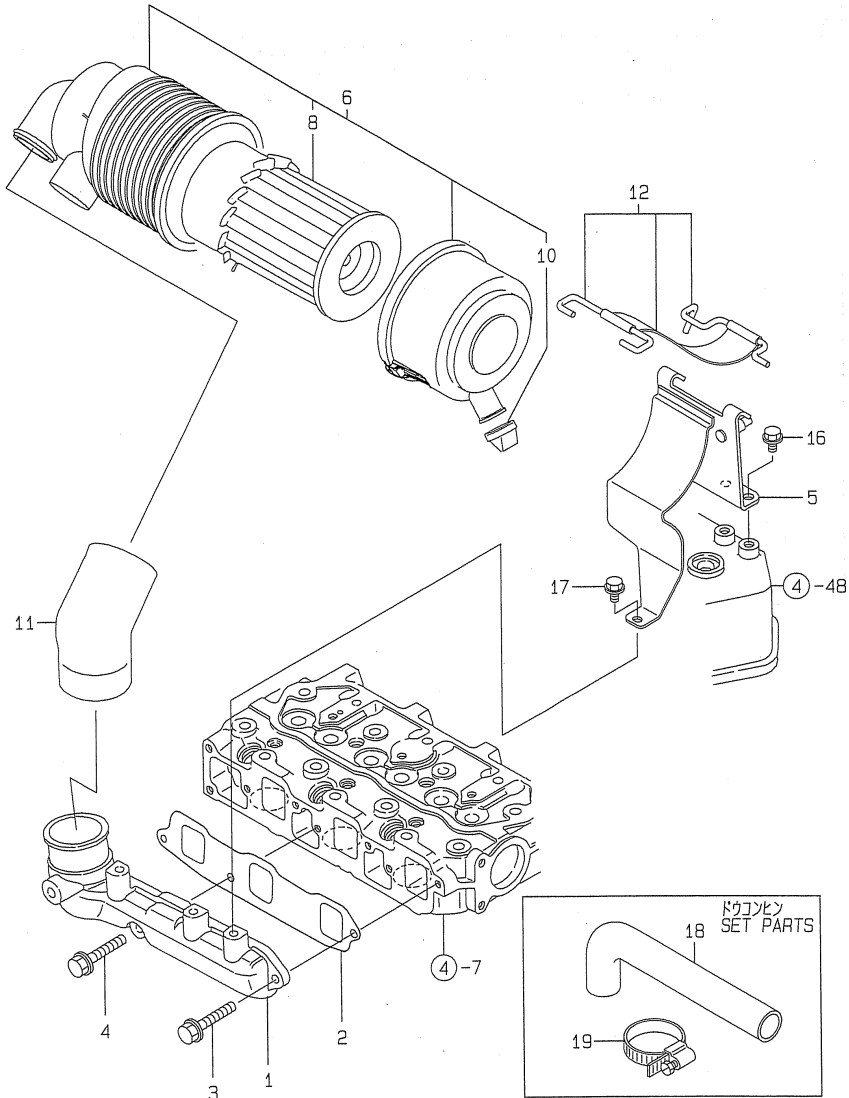
No.	Lev.	Parts No.	Description	Q'ty						I	R
				(A)	(B)	(C)	(D)	(E)	(F)		
4	1	119260-07900	LIFTER	2							
5	1	26106-080142	BOLT, M8X 14 PLATED	1							
6	1	26106-080142	BOLT, M8X 14 PLATED	2							
7	1	119265-11700	HEAD ASSY, CYLINDER	1							
11	2	119260-11800	GUIDE, VALVE	6							1
14	2	23871-030000	PLUG, R03	2							
15	2	27221-050080	PLUG, 5X 8	1							
16	2	27241-350000	PLUG, 35	2							
17	2	119260-11100	VALVE, INTAKE	3							
18	2	119260-11110	VALVE, EXHAUST	3							
19	2	114250-11120	SPRING, VALVE	6							
20	2	114250-11180	RETAINER, SPRING	6							
21	2	714250-11570	COTTER ASSY	6							
23	2	119260-11340	SEAL, VALVE STEM	6							
24	2	119260-11370	CAP, VALVE	6							
25	2	119600-11450	PROTECTOR, NOZZLE	3							
26	2	119600-11460	GASKET, NOZZLE	6							
27	1	119260-11200	SUPPORT ASSY, ARM	1							
28	2	119260-11240	SHAFT ASSY, ROCKER	1							
31	2	119260-11260	SUPPORT, ROCKER ARM	1							
32	2	119265-11260	SUPPORT, ROCKER ARM	2							
33	2	119260-11270	SCREW	1							
34	2	119260-11280	SPRING	2							
35	2	719260-11650	ARM ASSY, ROCKER	3							
36	3	105010-11230	SCREW, VALVE ADJUST	3							
38	3	26756-060002	NUT, LOCK M6	3							
39	2	719260-11660	ARM ASSY, ROCKER	3							
40	3	105010-11230	SCREW, VALVE ADJUST	3							
42	3	26756-060002	NUT, LOCK M6	3							
43	2	22242-000100	RING, 10	2							
44	1	119620-11350	STUD	2							
45	1	26106-080452	BOLT, M8X 45 PLATED	1							
46	1	26366-080002	NUT, M8	2							
47	1	124160-11360	KNOB	2							
48	1	719260-11520	BONNET ASSY, HEAD	1							
49	2	124160-01751	COVER, FILLER	1							
50	2	119260-03020	PLATE, SHELTER	1							
51	2	119260-03031	GASKET	1							
54	2	119260-11310	GASKET, BONNET	1							
55	2	119620-11390	JOINT	1							
56	2	22217-050000	WASHER, SPRING 5	4							
57	2	24311-000320	O-RING, 1AP32.0	1							
58	2	26557-050102	SCREW, M5X10	4							
59	1	24311-000120	O-RING, 1AP12.0	2							
60	1	129795-77800	PLUG, GLOW	3							
61	1	119620-77820	CONNECTOR, GLOW PLUG	1							
62	1	22351-060012	PIN, SPRING 6.0X12	2							
63	1	23065-120500	PIPE, 12X 500	1							

Remarks

(1) REPAIR PART.

Fig.5. SUCTION MANIFOLD & AIR CLEANER

Y00D6000
3TNE68-ST



(A)=3TNE68-ST
(B)=
(C)=

(D)=
(E)=
(F)=

No.	Lev.	Parts No.	Description	Q'ty						I	R
				(A)	(B)	(C)	(D)	(E)	(F)		
1	1	119270-12100	MANIFOLD, AIR INTAKE	1							
2	1	119270-12110	GASKET, MANIFOLD	1							
3	1	26106-060162	BOLT, M6X 16 PLATED	2							
4	1	26106-060282	BOLT, M6X 28 PLATED	1							
5	1	119489-12600	SUPPORT, AIR CLEANER	1							
6	1	119653-12500	CLEANER ASSY, AIR	1							
8	2	119655-12560	ELEMENT	1							
10	2	119808-12540	VALVE, UNLOADER	1							
11	1	119462-12550	PIPE, AIR INTAKE	1							
12	1	119865-12600	BAND ASSY, CLEANER	1							
16	1	26106-080122	BOLT, M8X 12 PLATED	2							
17	1	26106-060122	BOLT, M6X 12 PLATED	1							
18	1	119230-12240	PIPE, AIR INTAKE	1							
19	1	23000-054000	CLAMP, 54	1							

Fig.6. EXHAUST MANIFOLD & SILENCER

(A)=3TNE68-ST
(B)=
(C)=

(D)=
(E)=
(F)=

No.	Lev.	Parts No.	Description	Q'ty						I	R
				(A)	(B)	(C)	(D)	(E)	(F)		
1	1	119260-13110	GASKET	1							
2	1	26106-060402	BOLT, M6X 40 PLATED	2							
3	1	26216-060402	STUD, M6X 40	2							
4	1	26216-080222	STUD, M8X 22	3							
5	1	26366-060002	NUT, M6	2							
6	1	119225-13150	MANIFOLD, EXHAUST	1							
7	1	26106-060702	BOLT, M6X 70 PLATED	2							
8	1	119840-13650	STAY, SILENCER	1							
9	1	26106-100162	BOLT, M10X 16 PLATED	2							
10	1	119260-13202	GASKET, SILENCER	1							
11	1	119233-13540	SILENCER	1							
12	1	26014-080222	BOLT, M8X 22	2							
13	1	194990-22050	NUT, M8	3							
14	1	119831-13580	CLAMP	1							

Y00D6000
3TNE68-ST

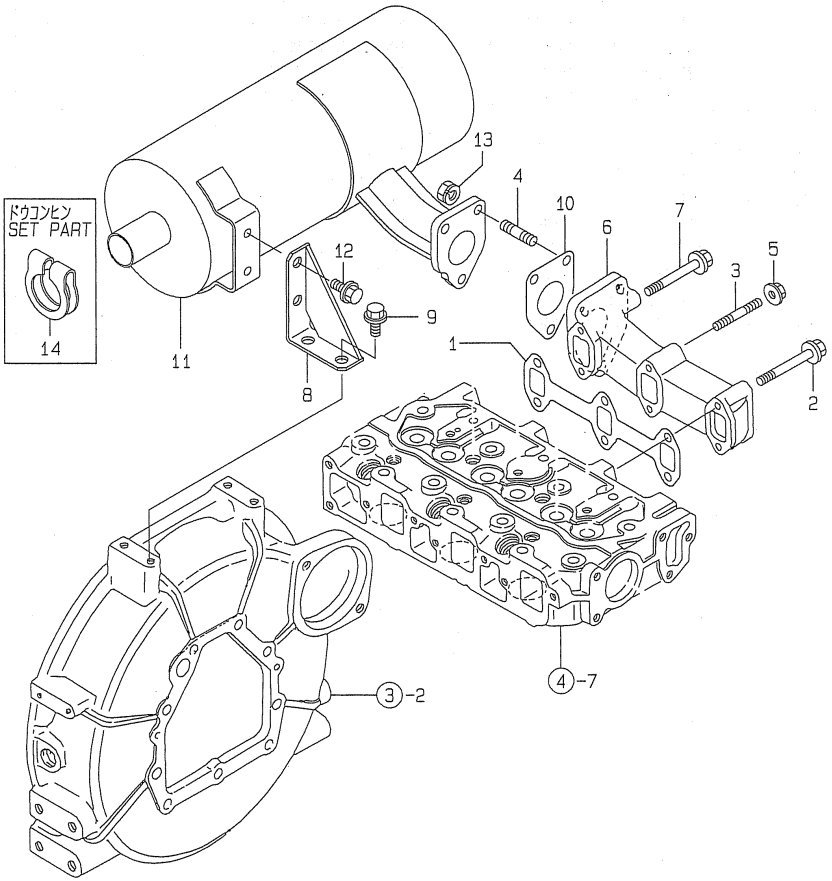
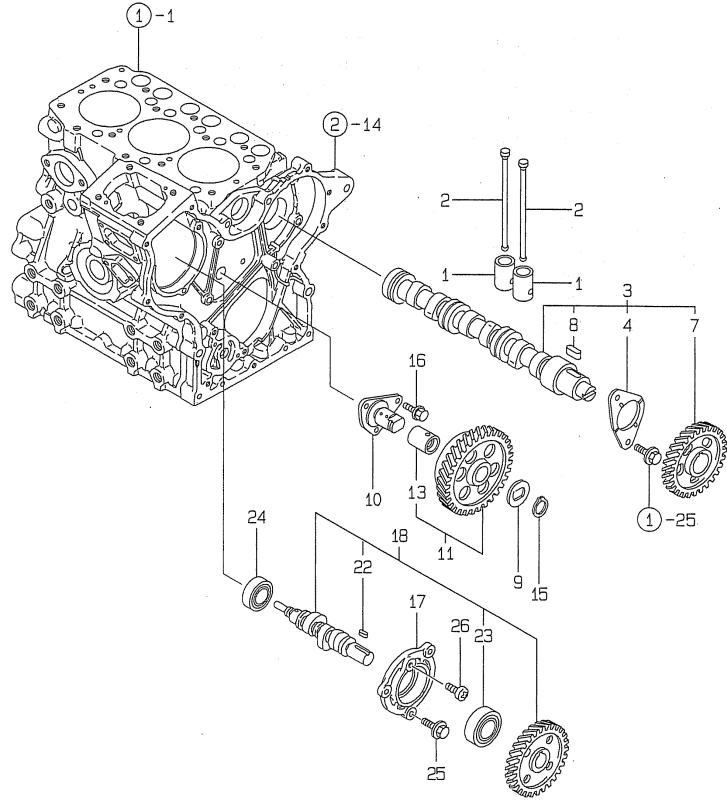


Fig.7. CAMSHAFT & DRIVING GEAR

(A)=3TNE68-ST
(B)=
(C)=

(D)=
(E)=
(F)=

Y00D6000
3TNE68-ST



No.	Lev.	Parts No.	Description	Q'ty						I	R
				(A)	(B)	(C)	(D)	(E)	(F)		
1	1	119260-14200	TAPPET	6							
2	1	119260-14400	ROD, PUSH	6							
3	1	119260-14580	CAMSHAFT ASSY	1							
4	2	119620-02450	BEARING, THRUST	1							
7	2	119260-14100	GEAR, CAMSHAFT	1							
8	2	22512-040120	KEY, 4X 12	1							
9	1	119660-25022	RETAINER	1							
10	1	119660-25052	SHAFT, IDLE	1							
11	1	119260-25100	GEAR ASSY, IDLE	1							
13	2	119620-25912	BUSH	1							1
15	1	22242-000200	RING, 20	1							
16	1	26106-060122	BOLT, M6X 12 PLATED	3							
17	1	119660-01821	BEARING, FUEL CAM	1							
18	1	119225-14200	CAM ASSY	1							
22	2	22512-040120	KEY, 4X 12	1							
23	2	24102-063034	BEARING, BALL 6303U	1							
24	1	24101-062034	BEARING, BALL 6203	1							
25	1	26106-060162	BOLT, M6X 16 PLATED	3							
26	1	26587-080102	SCREW, M8X10	1							

Remarks

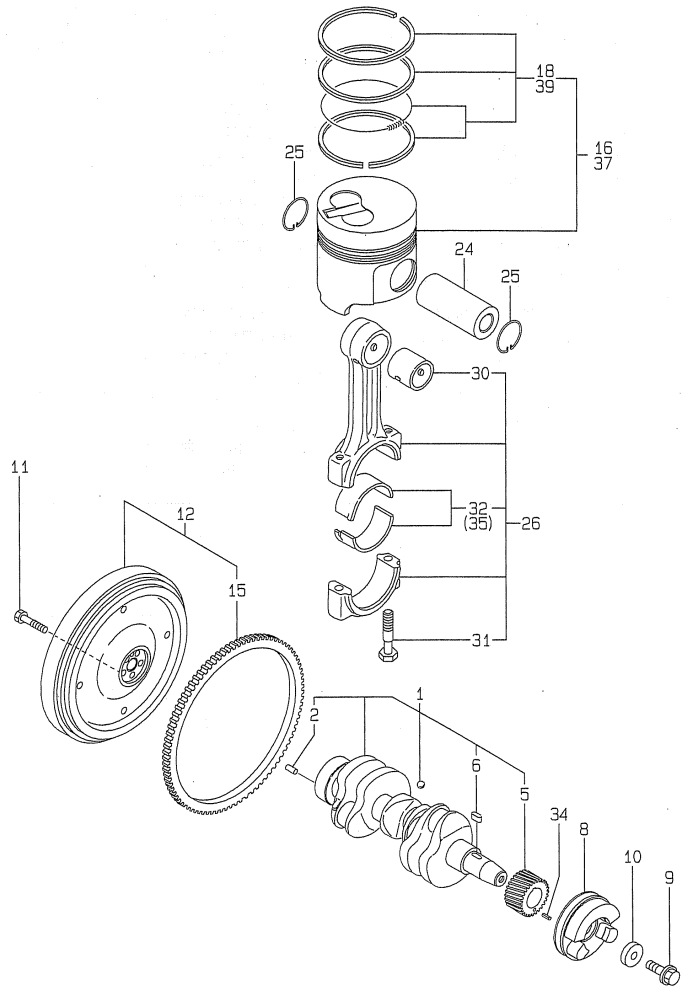
(1) REPAIR PART.

Fig.8. CRANKSHAFT & PISTON

(A)=3TNE68-ST
(B)=
(C)=

(D)=
(E)=
(F)=

Y00D6000
3TNE68-ST



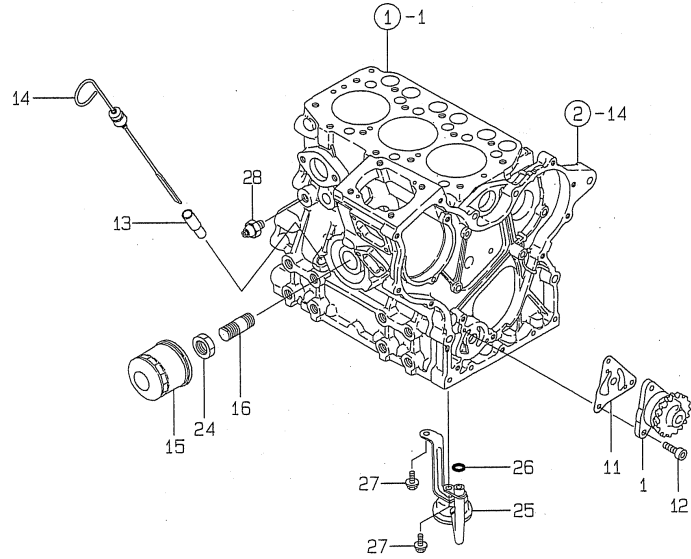
No.	Lev.	Parts No.	Description	Q'ty						I	R
				(A)	(B)	(C)	(D)	(E)	(F)		
1	1	119265-21700	CRANKSHAFT ASSY	1							
2	2	129100-01580	PIN, M8X16	1							
5	2	119260-21200	GEAR, CRANKSHAFT	1							
6	2	22512-040120	KEY, 4X 12	1							
8	1	119233-21680	V-PULLEY	1							
9	1	119621-21680	BOLT, FLANGE 12X1.25	1							
10	1	119620-21941	WASHER	1							
11	1	121111-21501	BOLT, FLYWHEEL	5							
12	1	119233-21580	FLYWHEEL ASSY	1							
15	2	119865-21600	GEAR, RING	1							
16	1	119265-22601	PISTON ASSY	3							
18	2	119265-22500	RING SET, PISTON	3							
24	1	119265-22300	PIN, PISTON	3							
25	1	22252-000200	RING, 20	6							
26	1	119265-23100	ROD ASSY, CONNECTING	3							
30	2	119260-23910	BEARING, PISTON PIN	3							1
31	2	119265-23200	BOLT, CONNECTING ROD	6							
32	2	719260-23600	BEARING, CRANK PIN	3							
34	1	22351-030010	PIN, SPRING 3.0X10	1							
35	1	719260-23610	BEARING ASSY, 0.25	3							2
37	1	119265-22930	PISTON ASSY, 0.25 OS	3							3
39	2	119265-22950	RING SET, 0.25 OS	3							3

Remarks

- (1) REPAIR PART.
- (2) UNDER-SIZE(U.S=0.25)PART.
- (3) OVER-SIZE(O.S=0.25)PART.

Fig.9. LUB.OIL SYSTEM

Y00D6000
3TNE68-ST



(A)=3TNE68-ST
(B)=
(C)=

(D)=
(E)=
(F)=

No.	Lev.	Parts No.	Description	Q'ty						I	R
				(A)	(B)	(C)	(D)	(E)	(F)		
1	1	119260-32000	PUMP ASSY, OIL	1							
11	1	119660-32020	GASKET, PUMP	1							
12	1	26450-060202	BOLT, M6X 20	3							
13	1	121520-34810	GUIDE, DIPSTICK	1							
14	1	129132-34800	DIPSTICK, OIL	1							
15	1	119305-35150	FILTER, OIL	1							
16	1	119225-35300	VALVE ASSY	1							
24	1	129150-35350	NUT	1							
25	1	119260-35081	PIPE, OIL INLET	1							
26	1	24311-000120	O-RING, 1AP12.0	1							
27	1	26106-060122	BOLT, M6X 12 PLATED	2							
28	1	121252-39450	SWITCH, 0.5KG	1							

Fig.10. COOLING WATER SYSTEM

(A)=3TNE68-ST

(B)=

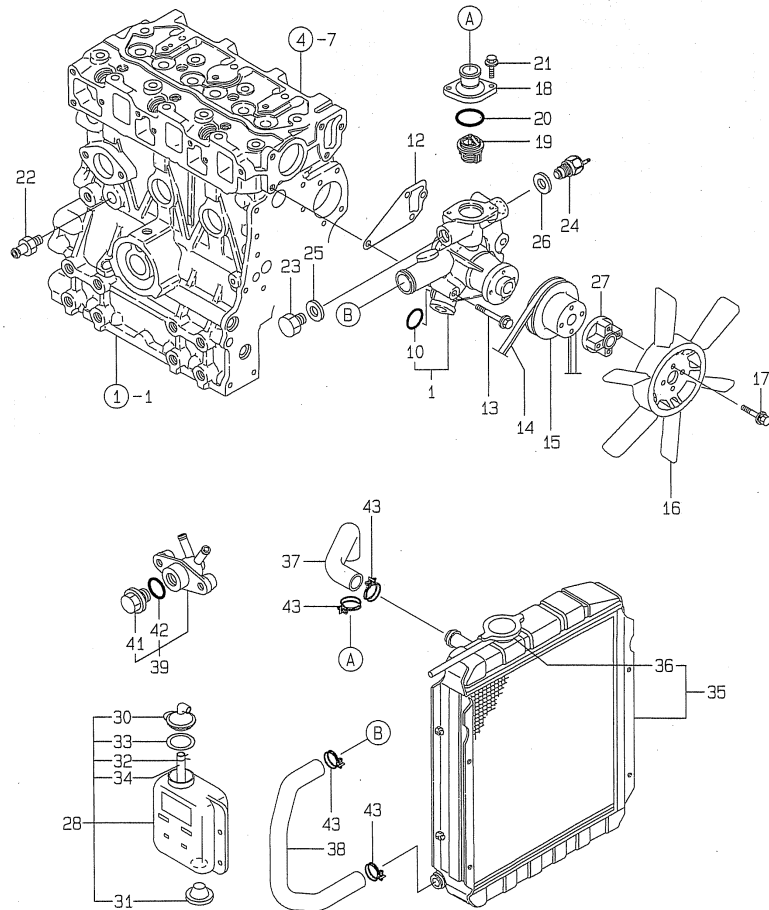
(C)=

(D)=

(E)=

(F)=

Y00D6000
3TNE68-ST



No.	Lev.	Parts No.	Description	Q'ty						I	R
				(A)	(B)	(C)	(D)	(E)	(F)		
1	1	119260-42002	PUMP ASSY, WATER	1							
10	2	119225-42320	O-RING	1							
12	1	119260-42020	GASKET, WATER PUMP	1							
13	1	26106-080452	BOLT, M8X 45 PLATED	3							
14	1	119225-42290	V-BELT, FM34.0	1							
15	1	119620-42350	V-PULLEY	1							
16	1	124251-44740	PLATE	1							
17	1	26014-060352	BOLT, M6X 35	4							
18	1	119260-49530	COVER, THERMOSTAT	1							
19	1	119260-49800	THERMOSTAT, 71	1							
20	1	24321-000350	O-RING, 1AG35.0	1							
21	1	26106-060182	BOLT, M6X 18 PLATED	2							
22	1	121550-49111	JOINT, PT1/4	1							
23	1	121450-42450	PLUG, M16	1							
24	1	124250-49351	SENSOR	1							
25	1	124465-44950	GASKET, 16	1							
26	1	129150-49360	GASKET	1							
27	1	171353-44760	SPACER, FAN	1							
28	1	121468-44510	TANK ASSY	1							
30	2	121450-44531	CAP	1							
31	2	121468-44540	PLUG	1							
32	2	124450-44560	RETAINER	1							
33	2	121470-44581	GASKET	1							
34	2	23065-070130	PIPE, 7X 130	1							
35	1	119632-44520	RADIATOR ASSY	1							
36	2	123682-44210	CAP, RADIATOR	1							M
36-1	2	129107-44590	CAP, RADIATOR	1							
37	1	119688-49010	PIPE, WATER	1							
38	1	119632-49020	PIPE, WATER	1							
39	1	121450-49110	COCK ASSY, 3-WAY	1							
41	2	121250-49121	PLUG, DRAIN	1							
42	2	24311-000160	O-RING, 1AP16.0	1							
43	1	23010-038000	CLAMP, 38	4							

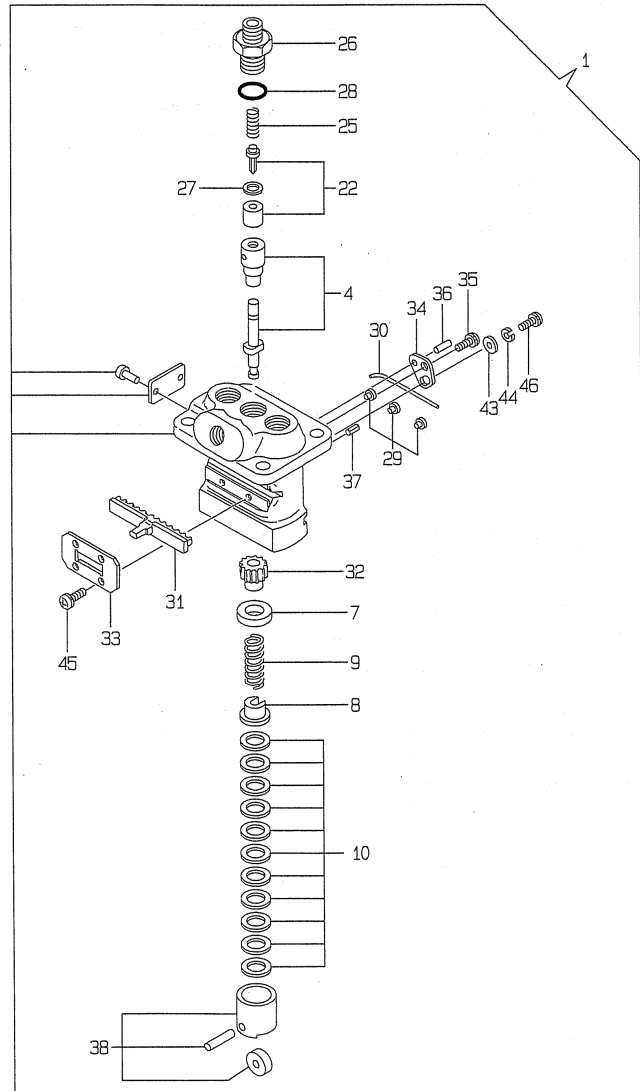
Remarks

(M) MISPRINT.

N:Old $\xrightarrow{\text{Yes}}$ New, Q:Old $\xrightarrow{\text{No}}$ New, R:Old $\xrightarrow{\text{Yes}}$ New, S:Old $\xrightarrow{\text{No}}$ New, W:Add, Z:Discontinued, F:Interchangeable by set, K:Q'ty Change

Fig.11. FUEL INJECTION PUMP

Y00D6000
3TNE68-ST



(A)=3TNE68-ST
(B)=
(C)=

(D)=
(E)=
(F)=

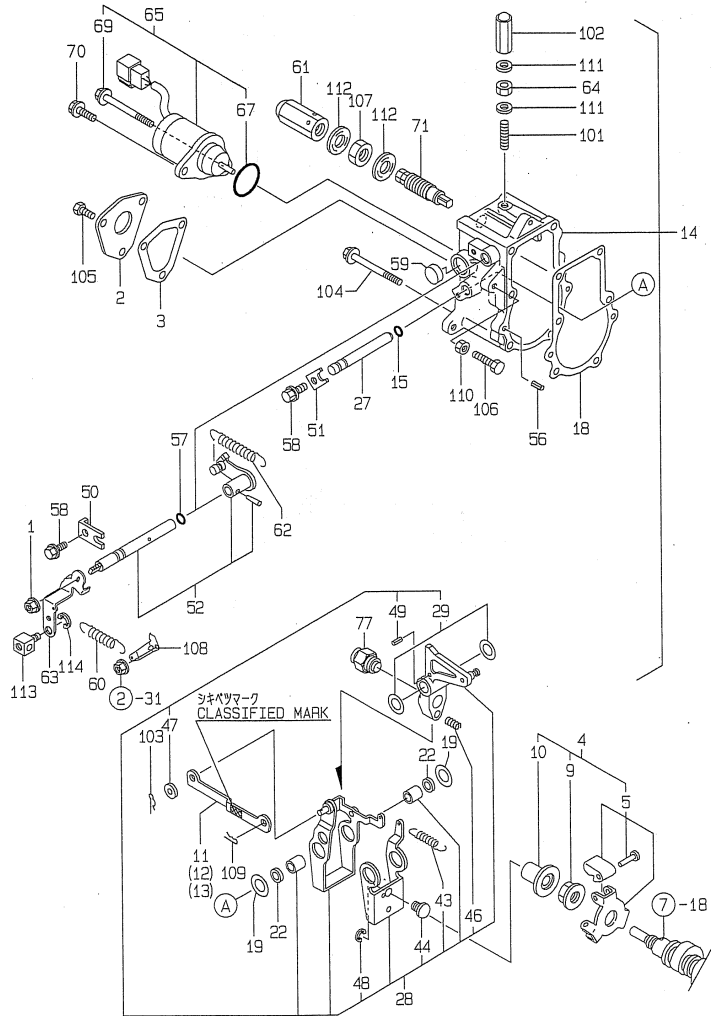
No.	Lev.	Parts No.	Description	Q'ty						I	R
				(A)	(B)	(C)	(D)	(E)	(F)		
1	1	719225-51100	PUMP ASSY, INJECTION	1							
4	2	119225-51100	PLUNGER ASSY	3							
7	2	119620-51170	RETAINER, SPRING A	3							
8	2	119620-51180	RETAINER, SPRING B	3							
9	2	119620-51190	SPRING, PLUNGER	3							
10	2	119620-51250	SHIM SET	3							
22	2	119225-51300	VALVE ASSY, DELIVERY	3							
25	2	105546-51330	SPRING, DELIVERY	3							
26	2	119620-51340	HOLDER, DELIVERY	3							
27	2	119620-51350	GASKET	3							
28	2	119620-51370	O-RING	3							
29	2	119620-51450	PIECE	3							
30	2	119620-51461	PIN	1							
31	2	119660-51500	RACK, CONTROL	1							
32	2	119620-51510	PINION	3							
33	2	119660-51530	RETAINER, RACK	1							
34	2	119620-51650	PLATE	2							
35	2	119620-51660	SCREW	2							
36	2	119620-51670	PIN	2							
37	2	119620-51680	PIN	1							
38	2	119620-51700	TAPPET ASSY	3							
43	2	22137-040000	WASHER, 4	2							
44	2	22217-040000	WASHER, SPRING 4	2							
45	2	26022-040082	SCREW, M4X 8	4							
46	2	26587-040102	SCREW, M4X10	2							

Fig.12. GOVERNOR

(A)=3TNE68-ST
(B)=
(C)=

(D)=
(E)=
(F)=

Y00D6000
3TNE68-ST



No.	Lev.	Parts No.	Description	Q'ty						I	R
				(A)	(B)	(C)	(D)	(E)	(F)		
1	1	194990-22050	NUT, M8	1							
2	1	119660-61060	COVER, GOVERNOR CASE	1							
3	1	119660-61071	GASKET	1							
4	1	119600-61100	DRIVE ASSY	1							
5	2	119600-61200	WEIGHT ASSY, GOVERNOR	1							
9	2	119660-61300	NUT	1							
10	2	119660-61341	SLEEVE	1							
11	1	119660-61121	LINK, NO MARK	1							1
12	1	119660-61140	LINK, MARK :2	1							1
13	1	119660-61150	LINK, MARK :3	1							1
14	1	119632-61200	CASE ASSY, GOVERNOR	1							
15	2	129155-51280	O-RING, S6	1							
18	2	119660-61052	GASKET	1							
19	2	119660-61460	SHIM SET	1							
22	2	129155-61480	SPACER ASSY	2							
27	2	119660-61491	SHAFT	1							
28	2	119232-61510	LEVER ASSY, GOVERNOR	1							
29	3	174307-51700	SHIM SET	2							
43	3	119232-61540	SPRING	1							
44	3	119600-61541	SHIFTER	1							
46	3	119660-61651	SPRING, STARTING	1							
47	3	22117-040000	WASHER, 4	1							
48	3	22272-000040	RING, E- 4	1							
49	3	22351-030014	PIN, SPRING 3.0X14	1							
50	2	119600-61900	RETAINER, SHAFT	1							
51	2	119660-61901	RETAINER, SHAFT	1							
52	2	119285-66080	SHAFT ASSY	1							
56	2	22351-040010	PIN, SPRING 4.0X10	2							
57	2	24341-000070	O-RING, 1AS7.0	1							
58	2	26106-060102	BOLT, M6X 10 PLATED	2							
59	1	119640-61400	PLUG	1							
60	1	119840-61870	SPRING	1							
61	1	26687-120002	NUT, CAP M12	1							
62	1	119600-66020	SPRING, REGULATOR	1							
63	1	119640-66051	HANDLE, REGULATOR	1							
64	1	124550-66370	NUT, M6	1							
65	1	119653-66500	STOPPER ASSY	1							
67	2	24341-000280	O-RING, 1AS28.0	1							
69	2	26106-060952	BOLT, M6X 95 PLATED	1							
70	1	121465-59950	BOLT, M6X16	1							
71	1	119600-66530	LIMITER ASSY, FUEL	1							
77	1	119610-66700	ANGLEICH ASSY	1							
101	1	121575-66830	SCREW	1							
102	1	119600-66840	NUT, CAP	1							
103	1	22360-040000	PIN, SNAP 4	1							
104	1	26106-060702	BOLT, M6X 70 PLATED	5							
105	1	26116-050102	BOLT, M5X 10 PLATED	3							
106	1	26116-060304	BOLT, M6X 30 PLATED	1							
107	1	26776-120002	NUT, LOCK M12	1							
108	1	119656-66910	HOOK	1							
109	1	22360-060000	PIN, SNAP 6	1							

Remarks

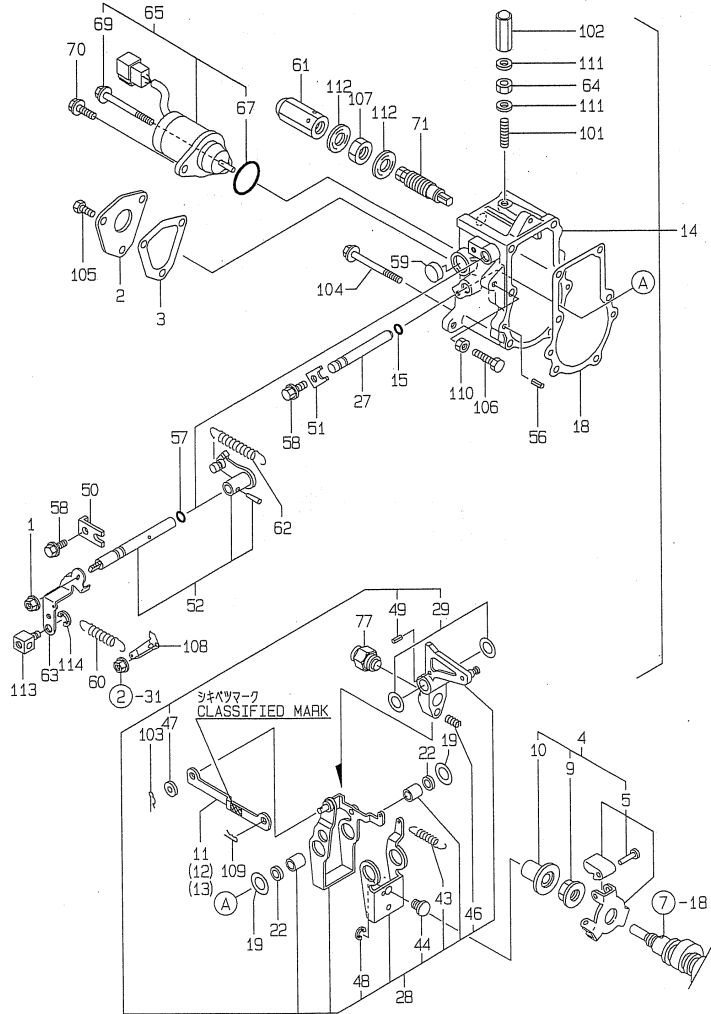
(1) SELECTIVE PARTS : CERTAIN THE CLASSIFICATION MARK, THEN PLACE YOUR ORDER.(REF. TO ILLUSTRATION)

Fig.12. GOVERNOR

(A)=3TNE68-ST
(B)=
(C)=

(D)=
(E)=
(F)=

Y00D6000
3TNE68-ST



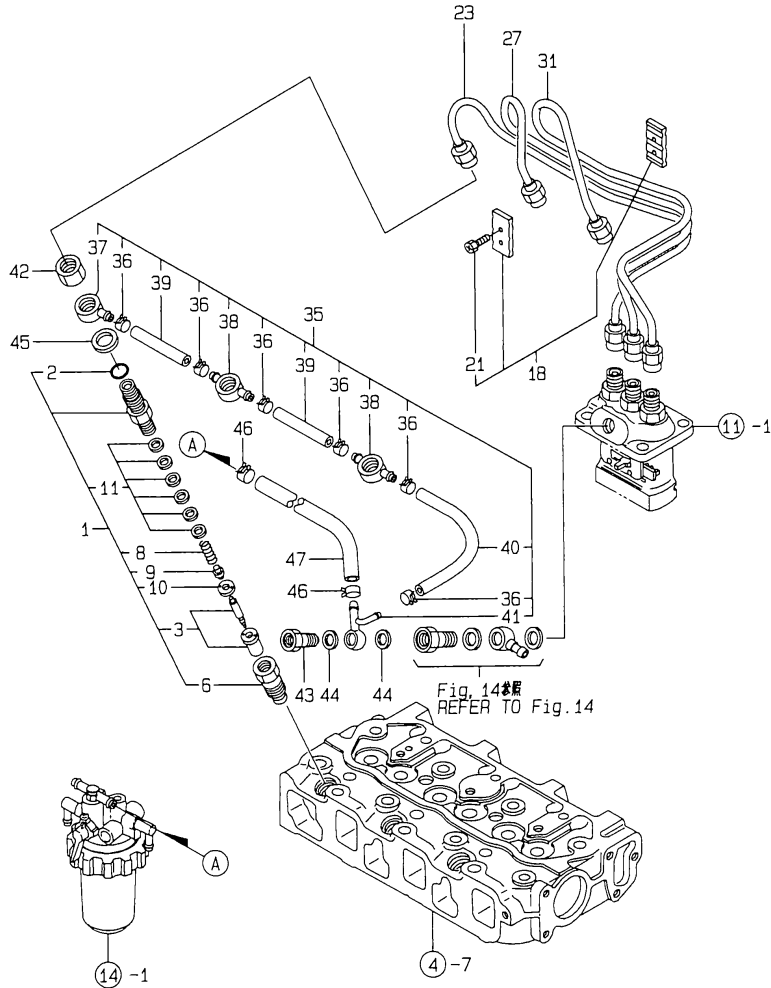
No.	Lev.	Parts No.	Description	Q'ty						I	R
				(A)	(B)	(C)	(D)	(E)	(F)		
110	1	26756-060002	NUT, LOCK M6	1							
111	1	22190-060003	SEAL WASER 6	2							
112	1	22190-120002	WASHER, SEAL 12	2							
113	1	124066-03770	RETAINER	1							
114	1	22272-000050	RING, E- 5	1							

Remarks

(1) SELECTIVE PARTS : CERTAIN THE CLASSIFICATION MARK, THEN PLACE YOUR ORDER.(REF. TO ILLUSTRATION)

Fig.13. FUEL INJECTION VALVE

Y00D6000
3TNE68-ST



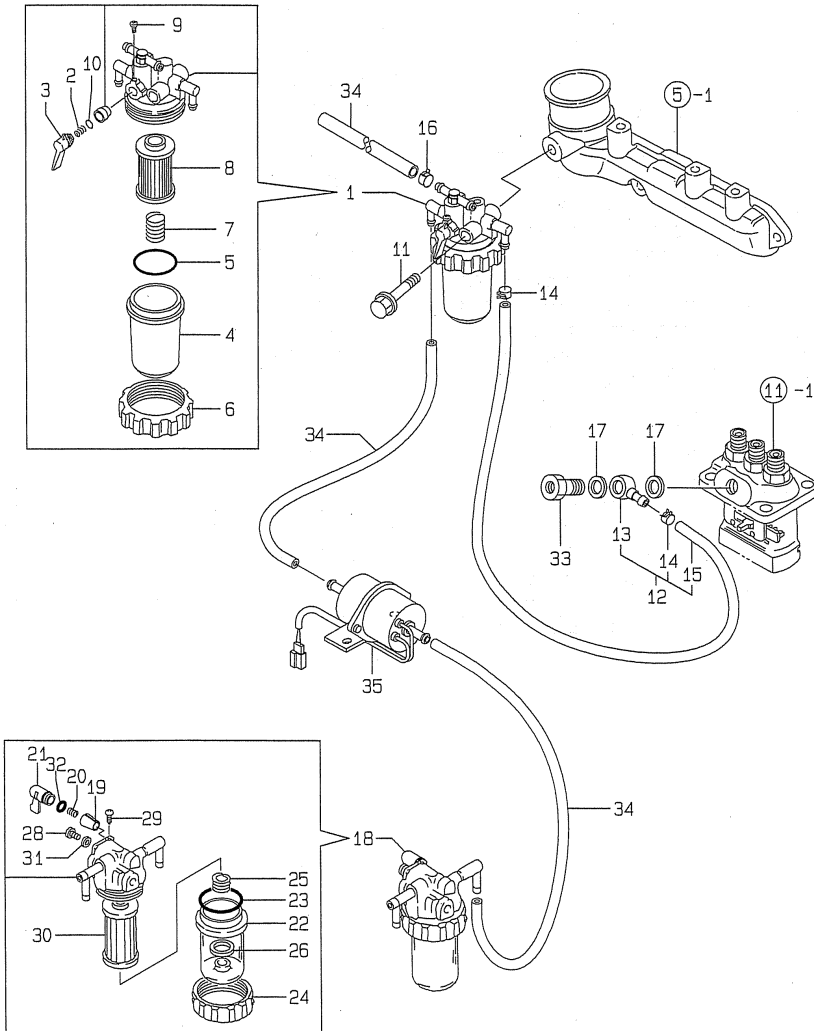
(A)=3TNE68-ST
(B)=
(C)=

(D)=
(E)=
(F)=

No.	Lev.	Parts No.	Description	Q'ty						I	R
				(A)	(B)	(C)	(D)	(E)	(F)		
1	1	719620-53700	VALVE ASSY,INJECTION	3							
2	2	129155-61830	O-RING, S10	3							
3	2	119620-53000	VALVE ASSY,INJECTION	3							
6	2	119620-53080	NUT, NOZZLE	3							
8	2	119620-53120	SPRING, NOZZLE	3							
9	2	114250-53130	SEAT, SPRING	3							
10	2	119620-53140	SPACER, VALVE STOP	3							
11	2	114250-53400	SHIM SET	3							
18	1	129150-59120	RETAINER, PIPE	1							
21	2	129150-59131	BOLT, M4X14	2							
23	1	119209-59810	PIPE ASSY, INJECTION	1							
27	1	119209-59820	PIPE ASSY, INJECTION	1							
31	1	119209-59830	PIPE ASSY, INJECTION	1							
35	1	119642-59540	PIPE ASSY, RETURN	1							
36	2	124066-59100	CLIP, HOSE 8	6							
37	2	119260-59520	JOINT	1							
38	2	119260-59530	JOINT	2							
39	2	105025-59550	PIPE, FUEL RETURN	2							
40	2	119642-59550	PIPE, FUEL RETURN	1							
41	2	119642-59570	JOINT, OVER FLOW	1							
42	1	119620-59700	NUT, NOZZLE	3							
43	1	124550-59820	BOLT, PIPE JOINT M8	1							
44	1	23414-080012	GASKET, 8X1.0	2							
45	1	23414-140000	GASKET, 14X1.0	3							
46	1	124766-59050	CLIP, HOSE 12	2							
47	1	119225-59560	PIPE, FUEL	1							

Fig.14. FUEL LINE

Y00D6000
3TNE68-ST



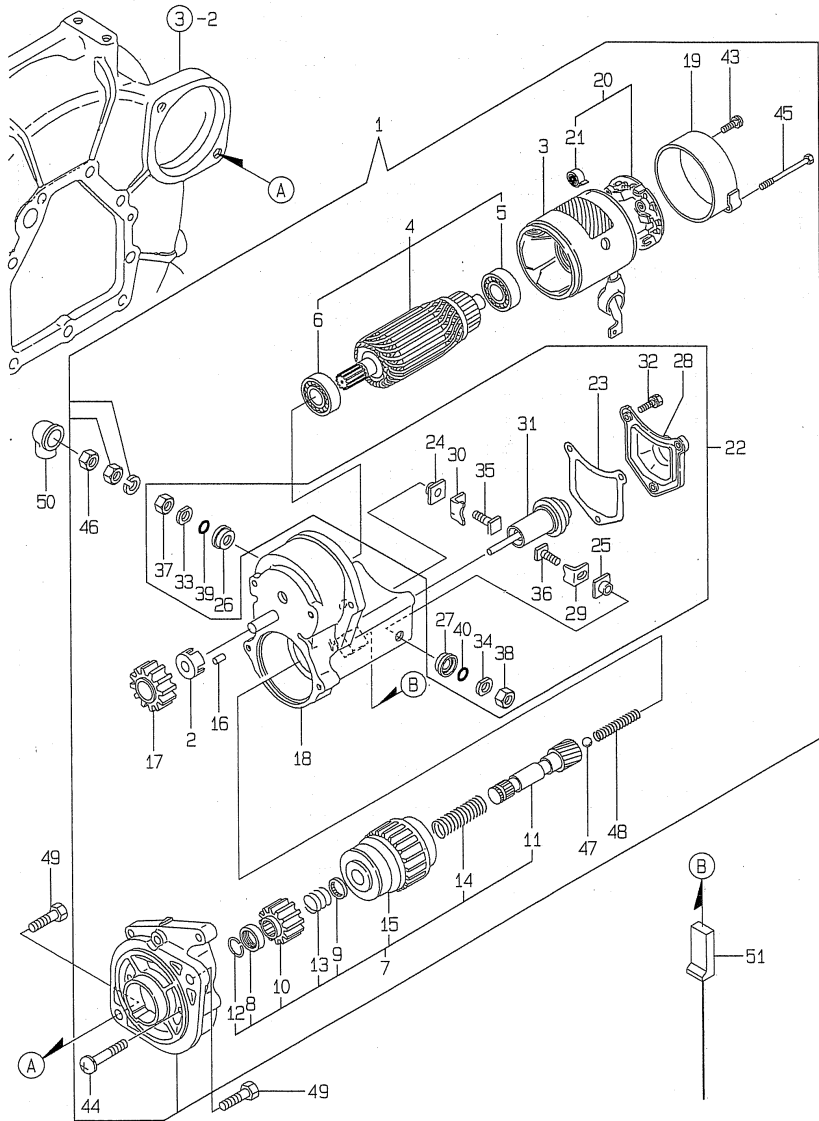
(A)=3TNE68-ST
(B)=
(C)=

(D)=
(E)=
(F)=

No.	Lev.	Parts No.	Description	Q'ty						I	R
				(A)	(B)	(C)	(D)	(E)	(F)		
1	1	119255-55620	FILTER ASSY, FUEL	1							
2	2	104200-55330	SPRING, VALVE	1							
3	2	119810-55340	LEVER	1							
4	2	121254-55510	COVER	1							
5	2	102103-55520	O-RING	1							
6	2	110250-55610	RING, RETAINING	1							
7	2	121250-55620	SPRING	1							
8	2	124550-55700	FILTER, FUEL L=90	1							
9	2	104200-55750	SCREW, M4	1							
10	2	24311-240100	O-RING, 1AP10A	1							
11	1	26014-080702	BOLT, M8X 70	1							
12	1	119230-59031	PIPE ASSY, FUEL	1							
13	2	101304-59020	JOINT, PIPE 12	1							
14	2	124766-59050	CLIP, HOSE 12	2							
15	2	119230-59080	PIPE, FUEL D12X185	1							
16	1	124766-59050	CLIP, HOSE 12	1							
17	1	104200-59170	GASKET, 12	2							
18	1	129335-55700	SEPARATOR ASSY,WATER	1							
19	2	104200-55321	VALVE, TAPER	1							
20	2	104200-55330	SPRING, VALVE	1							
21	2	104200-55341	HANDLE	1							
22	2	124064-55510	COVER	1							
23	2	102103-55520	O-RING	1							
24	2	110250-55610	RING, RETAINING	1							
25	2	121257-55720	SPRING	1							
26	2	121257-55731	FLOAT	1							
28	2	101720-55750	PLUG, 6	2							
29	2	104200-55750	SCREW, M4	1							
30	2	171081-55910	SCREEN	1							
31	2	23418-060000	GASKET, 6X1.0	2							
32	2	24311-240100	O-RING, 1AP10A	1							
33	1	119650-59200	BOLT, PIPE JOINT M12	1							
34	1	124732-59080	PIPE, FUEL D12X1000	3							
35	1	129322-77401	PUMP ASSY, FUEL FEED	1							

Fig.15. STARTING MOTOR

Y00D5000
3TNE68-ST



(A)=3TNE68-ST
(B)=
(C)=

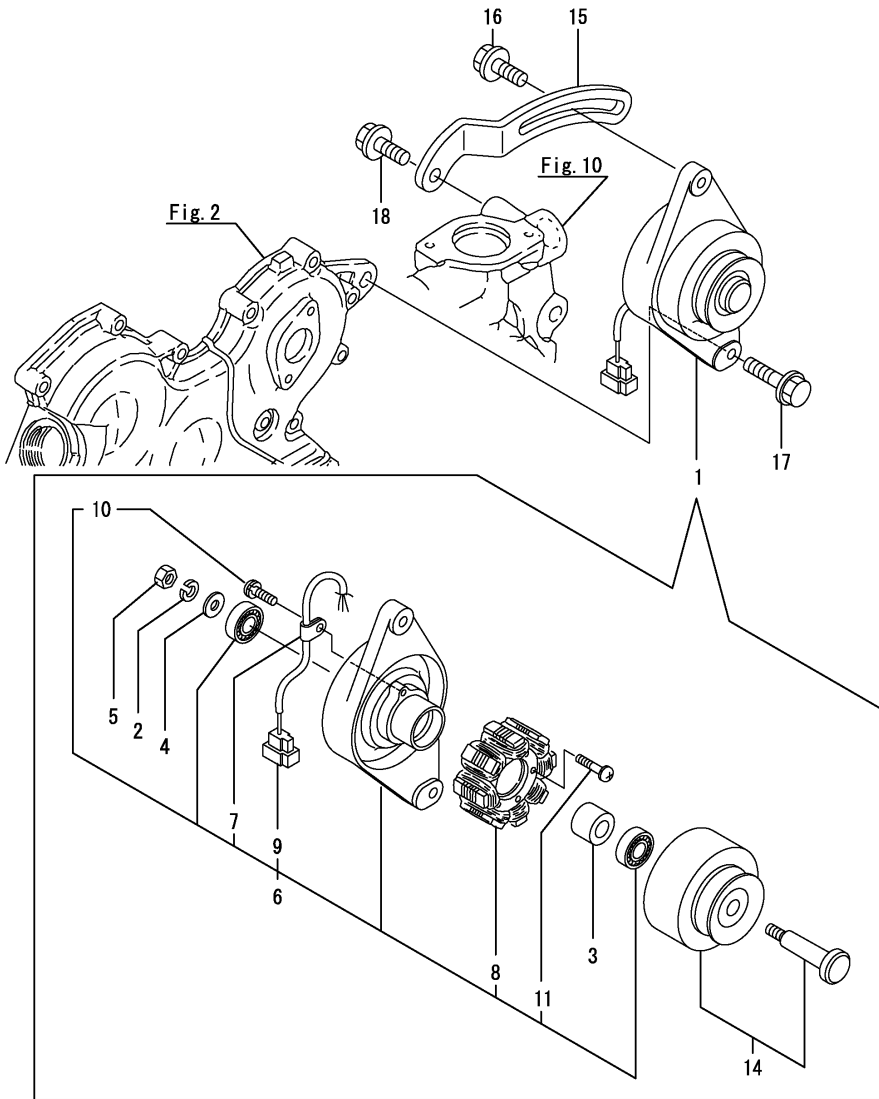
(D)=
(E)=
(F)=

No.	Lev.	Parts No.	Description	Q'ty						I	R
				(A)	(B)	(C)	(D)	(E)	(F)		
1	1	119620-77011	STARTER	1							
2	2	X0280630011	RETAINER	1							
3	2	X0281003751	YOKE ASSY	1							
4	2	X0282001531	ARMATURE ASSY	1							
5	3	X9491001360	BEARING	1							
6	3	X9491001860	BEARING, BALL	1							
7	2	X0283005050	CLUTCH, STARTER	1							
8	3	X0280210230	NUT	1							
9	3	X0283270140	RETAINER	1							
10	3	X0283715030	PINION, STARTER	1							
11	3	X0283810040	SHAFT	1							
12	3	X9490721080	RING	1							
13	3	X9491703371	SPRING, COIL	1							
14	3	X9491704260	SPRING	1							
15	3	121120-77930	CASE ASSY, STARTER	1							
16	2	X0283060061	ROLLER	5							
17	2	X0283711420	PINION	1							
18	2	X0284004910	HOUSING	1							
19	2	X0285040631	FRAME ASSY	1							
20	2	X0285100460	HOLDER ASSY, BRUSH	1							
21	3	X9491730461	SPRING	4							
22	2	X0534006460	SWITCH	1							
23	3	X0534040320	GASKET	1							
24	3	X0534490120	BUSH	1							
25	3	X0534490120	BUSH	1							
26	3	X0534490230	BUSH	1							
27	3	X0534490230	BUSH	1							
28	3	X0535050620	COVER	1							
29	3	X0535130241	PLATE	1							
30	3	X0535130320	PLATE	1							
31	3	X0536600401	PLUNGER	1							
32	3	X9151005141	BOLT	3							
33	3	X9490170900	WASHER	1							
34	3	X9490170900	WASHER	1							
35	3	X9490441303	BOLT	1							
36	3	X9490441312	BOLT	1							
37	3	X9490502820	NUT	1							
38	3	X9490502820	NUT	1							
39	3	X9491402100	O-RING	1							
40	3	X9491402100	O-RING	1							
43	2	X9490071810	SCREW	2							
44	2	X9490071970	SCREW	2							
45	2	X9490423330	BOLT	2							
46	2	X9490561370	NUT	1							
47	2	X9491200240	BALL	1							
48	2	X9491703380	SPRING	1							
49	1	26116-120252	BOLT, M12X 25 PLATED	2							
50	1	124160-77020	COVER, TERMINAL	1							
51	1	119643-77900	CONNECTOR, STARTER	1							

Fig.16. GENERATOR

(A)=3TNE68-ST
(B)=
(C)=

(D)=
(E)=
(F)=



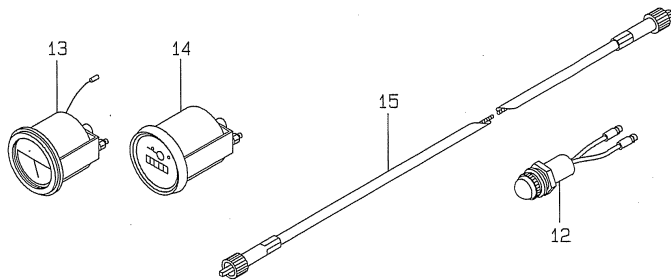
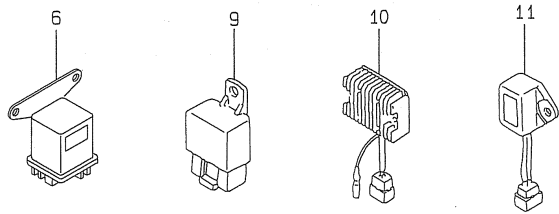
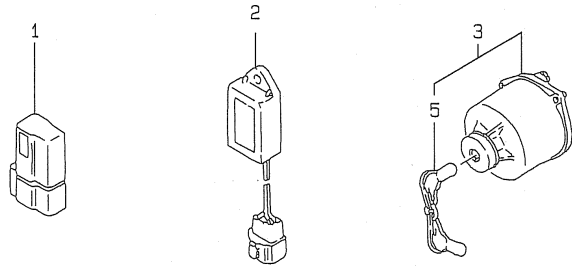
No.	Lev.	Parts No.	Description	Q'ty						I	R
				(A)	(B)	(C)	(D)	(E)	(F)		
1	1	129150-77202	GENERATOR	1							
1-1	1	129150-77203	DINAMO ASSY	1							N
(A=EXXXXX)											
2	2	XM219230000	WASHER, SPRING	1							
3	2	XM329830000	COLLAR	1							
4	2	XM860250000	WASHER, 10	1							
5	2	XM863720000	NUT	1							
6	2	129150-77210	PLATE ASSY	1							
7	3	XM069000000	CLAMP	1							
8	3	XM081780000	STATOR	1							
9	3	XM178780000	COUPLER	1							
10	3	XYSPS400800	SCREW	1							
11	3	XYSPS402400	SCREW	2							
14	2	129150-77230	FLYWHEEL ASSY	1							
14-1	2	129150-77280	FLYWHEEL ASSY	1							N
(A=EXXXXX)											
15	1	119650-77330	ADJUSTER	1							
16	1	26014-080252	BOLT, M8X 25	1							
17	1	26106-100402	BOLT, M10X 40 PLATED	1							
18	1	26106-080202	BOLT, M8X 20 PLATED	1							

Fig.17. ELECTRIC PARTS

(A)=3TNE68-ST
(B)=
(C)=

(D)=
(E)=
(F)=

Y0006000
3TNE68-ST



No.	Lev.	Parts No.	Description	Q'ty						I	R
				(A)	(B)	(C)	(D)	(E)	(F)		
1	1	119643-66900	DIODE	1							
2	1	119632-77920	TIMER	1							
3	1	129115-91250	SWITCH ASSY	1							
5	2	129115-91270	KEY ASSY	1							
6	1	119650-77910	RELAY ASSY, GLOW	1							
9	1	119247-77100	RELAY, SAFETY	1							
10	1	119640-77711	LIMITER, CURRENT	1							
11	1	121522-77721	INDICATOR	1							
12	1	124732-77720	LAMP, CHARGING	2							
13	1	171010-77850	THERMOSTAT	1							
14	1	171080-91100	TACHOMETER	1							
15	1	124737-91420	CABLE, TACHOMETER	1							

Fig.18. GASKET SET

(A)=3TNE68-ST

(B)=

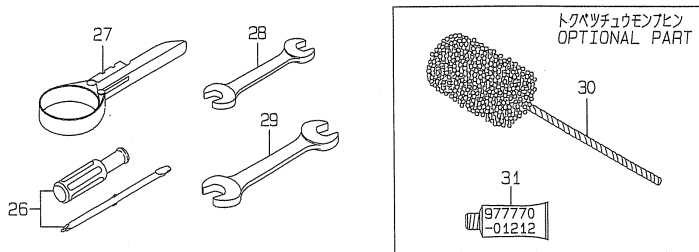
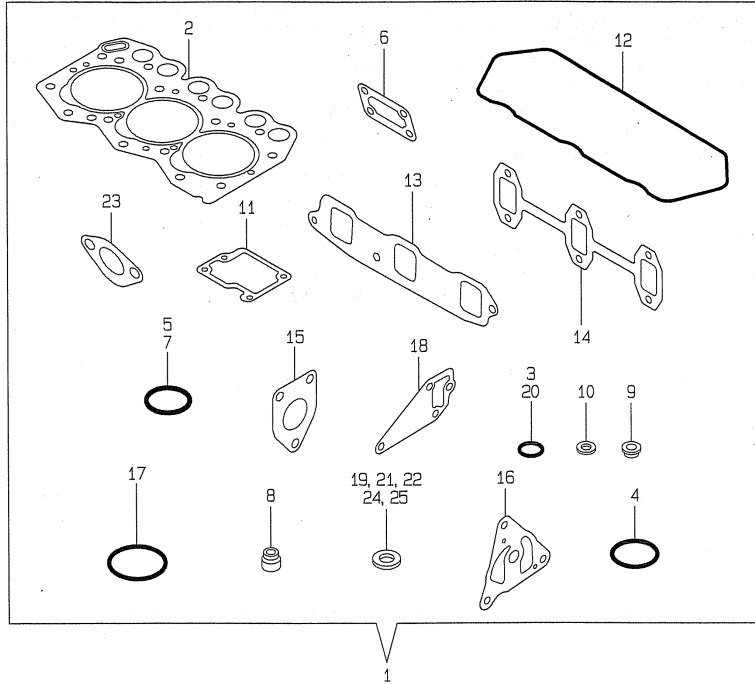
(C)=

(D)=

(E)=

(F)=

Y00D6000
3TNE68-ST



No.	Lev.	Parts No.	Description	Q'ty						I	R
				(A)	(B)	(C)	(D)	(E)	(F)		
1	1	719265-92690	GASKET SET	1							1
2	2	119265-01341	GASKET, HEAD	1							
3	2	24311-000120	O-RING, 1AP12.0	5							
4	2	24311-000320	O-RING, 1AP32.0	2							
5	2	24341-000240	O-RING, 1AS24.0	1							
6	2	119660-01562	GASKET	1							
7	2	24311-000180	O-RING, 1AP18.0	1							
8	2	119260-11340	SEAL, VALVE STEM	6							
9	2	119600-11450	PROTECTOR, NOZZLE	3							
10	2	119600-11460	GASKET, NOZZLE	6							
11	2	119260-03031	GASKET	1							
12	2	119260-11310	GASKET, BONNET	1							
13	2	119270-12110	GASKET, MANIFOLD	1							
14	2	119260-13110	GASKET	1							
15	2	119260-13202	GASKET, SILENCER	1							
16	2	119660-32020	GASKET, PUMP	1							
17	2	24321-000350	O-RING, 1AG35.0	1							
18	2	119260-42020	GASKET, WATER PUMP	1							
19	2	124465-44950	GASKET, 16	1							
20	2	129155-61830	O-RING, S10	3							
21	2	129150-49360	GASKET	1							
22	2	23414-140000	GASKET, 14X1.0	3							
23	2	121520-01851	GASKET	1							
24	2	104200-59170	GASKET, 12	2							
25	2	23414-080012	GASKET, 8X1.0	2							
26	1	104200-92350	DRIVER, SCREW	1							
27	1	119332-92751	WRENCH, FILTER 68	1							
28	1	28110-100120	SPANNER, 10X12	1							
29	1	28110-140170	SPANNER, 14X17	1							
30	1	129400-92400	HONE	1							1
31	1	97770-01212	GASKET, LIQUID	1							1

Remarks

(1) OPTIONAL PART.

N:Old $\begin{matrix} \leftarrow \text{Yes} \\ \text{No} \end{matrix}$ New, Q:Old $\begin{matrix} \leftarrow \text{No} \\ \text{Yes} \end{matrix}$ New, R:Old $\begin{matrix} \leftarrow \text{Yes} \\ \text{No} \end{matrix}$ New, S:Old $\begin{matrix} \leftarrow \text{No} \\ \text{Yes} \end{matrix}$ New, W:Add, Z:Discontinued, F:Interchangeable by set, K:Q'ty Change

Parts No. Index

Parts No.	Fig. No.	Ref. No.
101304-59020	14	13
101720-55750	14	28
102103-55520	14	5
		23
104200-55321	14	19
104200-55330	14	2
		20
104200-55341	14	21
104200-55750	14	9
		29
104200-59170	14	17
	18	24
104200-92350	18	26
105010-11230	4	36
		40
105025-59550	13	39
105546-51330	11	25
110250-55610	14	6
		24
114250-11120	4	19
114250-11180	4	20
114250-53130	13	9
114250-53400	13	11
119209-59810	13	23
119209-59820	13	27
119209-59830	13	31
119225-13150	6	6
119225-14200	7	18
119225-35300	9	16
119225-42290	10	14
119225-42320	10	10
119225-51100	11	4
119225-51300	11	22
119225-59560	13	47
119230-12240	5	18
119230-59031	14	12
119230-59080	14	15
119232-61510	12	28
119232-61540	12	43
119233-13540	6	11
119233-21580	8	12
119233-21680	8	8
119247-77100	17	9
119255-55620	14	1
119260-01200	1	23
119260-01490	2	14
119260-01510	2	17
119260-01590	2	1
119260-01770	3	13
119260-02020	1	6

Parts No.	Fig. No.	Ref. No.
119260-02410	1	16
119260-03020	4	50
119260-03031	4	51
	18	11
119260-07900	4	4
119260-11100	4	17
119260-11110	4	18
119260-11200	4	27
119260-11240	4	28
119260-11260	4	31
119260-11270	4	33
119260-11280	4	34
119260-11310	4	54
	18	12
119260-11340	4	23
	18	8
119260-11370	4	24
119260-11800	4	11
119260-13110	6	1
	18	14
119260-13202	6	10
	18	15
119260-14100	7	7
119260-14200	7	1
119260-14400	7	2
119260-14580	7	3
119260-21200	8	5
119260-23910	8	30
119260-25100	7	11
119260-32000	9	1
119260-35081	9	25
119260-42002	10	1
119260-42020	10	12
	18	18
119260-49530	10	18
119260-49800	10	19
119260-59520	13	37
119260-59530	13	38
119265-01341	1	24
	18	2
119265-11260	4	32
119265-11700	4	7
119265-21700	8	1
119265-22300	8	24
119265-22500	8	18
119265-22601	8	16
119265-22930	8	37
119265-22950	8	39
119265-23100	8	26
119265-23200	8	31

Parts No.	Fig. No.	Ref. No.
119270-12100	5	1
119270-12110	5	2
	18	13
119285-66080	12	52
119305-35150	9	15
119332-92751	18	27
119454-01721	3	11
119462-12550	5	11
119489-12600	5	5
119600-01600	3	2
119600-11450	4	25
	18	9
119600-11460	4	26
	18	10
119600-61100	12	4
119600-61200	12	5
119600-61541	12	44
119600-61900	12	50
119600-66020	12	62
119600-66530	12	71
119600-66840	12	102
119610-66700	12	77
119620-01620	3	6
119620-01750	3	4
119620-01800	2	4
119620-02450	7	4
119620-11350	4	44
119620-11390	4	55
119620-21941	8	10
119620-25912	7	13
119620-42350	10	15
119620-51170	11	7
119620-51180	11	8
119620-51190	11	9
119620-51250	11	10
119620-51340	11	26
119620-51350	11	27
119620-51370	11	28
119620-51450	11	29
119620-51461	11	30
119620-51510	11	32
119620-51650	11	34
119620-51660	11	35
119620-51670	11	36
119620-51680	11	37
119620-51700	11	38
119620-53000	13	3
119620-53080	13	6
119620-53120	13	8
119620-53140	13	10

Parts No.	Fig. No.	Ref. No.
119620-59700	13	42
119620-77011	15	1
119620-77820	4	61
119621-21680	8	9
119623-01950	2	23
119632-44520	10	35
119632-49020	10	38
119632-61200	12	14
119632-77920	17	2
119640-61400	12	59
119640-66051	12	63
119640-77711	17	10
119642-59540	13	35
119642-59550	13	40
119642-59570	13	41
119643-66900	17	1
119643-77900	15	51
119650-59200	14	33
119650-77330	16	15
119650-77910	17	6
119653-12500	5	6
119653-66500	12	65
119655-12560	5	8
119656-66910	12	108
119660-01551	2	20
119660-01562	2	21
	18	6
119660-01570	2	22
119660-01640	3	7
119660-01821	7	17
119660-01911	2	5
119660-25022	7	9
119660-25052	7	10
119660-32020	9	11
	18	16
119660-51500	11	31
119660-51530	11	33
119660-61052	12	18
119660-61060	12	2
119660-61071	12	3
119660-61121	12	11
119660-61140	12	12
119660-61150	12	13
119660-61300	12	9
119660-61341	12	10
119660-61460	12	19
119660-61491	12	27
119660-61651	12	46
119660-61901	12	51
119688-49010	10	37

Parts No. Index

Parts No.	Fig. No.	Ref. No.
119808-12540	5	10
119810-55340	14	3
119831-13580	6	14
119840-13650	6	8
119840-61870	12	60
119865-12600	5	12
119865-21600	8	15
121111-21501	8	11
121120-01620	3	3
121120-77930	15	15
121250-49121	10	41
121250-55620	14	7
121252-39450	9	28
121254-55510	14	4
121257-55720	14	25
121257-55731	14	26
121400-01640	3	14
121450-01560	2	18
121450-42450	10	23
121450-44531	10	30
121450-49110	10	39
121465-59950	12	70
121468-44510	10	28
121468-44540	10	31
121470-44581	10	33
121520-01851	2	36
	18	23
121520-01860	2	37
121520-34810	9	13
121522-77721	17	11
121550-49111	10	22
121575-66830	12	101
123682-44210	10	36
124060-01050	1	5
124064-55510	14	22
124066-03770	12	113
124066-59100	13	36
124085-02220	3	9
124160-01751	2	12
	4	49
124160-11360	4	47
124160-77020	15	50
124250-49351	10	24
124251-44740	10	16
124450-44560	10	32
124465-44950	10	25
	18	19
124550-55700	14	8
124550-59820	13	43
124550-66370	12	64

Parts No.	Fig. No.	Ref. No.
124732-59080	14	34
124732-77720	17	12
124737-91420	17	15
124766-59050	13	46
	14	14
		16
129100-01580	3	1
	8	2
129107-44590	10	36 -1
129115-91250	17	3
129115-91270	17	5
129132-34800	9	14
129150-35350	9	24
129150-49360	10	26
	18	21
129150-59120	13	18
129150-59131	13	21
129150-77202	16	1
129150-77203	16	1 -1
129150-77210	16	6
129150-77230	16	14
129150-77280	16	14 -1
129150-91400	2	32
129155-51280	12	15
129155-61480	12	22
129155-61830	13	2
	18	20
129322-77401	14	35
129335-55700	14	18
129400-92400	18	30
129795-77800	4	60
171010-77850	17	13
171080-91100	17	14
171081-55910	14	30
171353-44760	10	27
174307-51700	12	29
194990-22050	2	30
	6	13
	12	1
22117-040000	12	47
22137-040000	11	43
22190-060003	12	111
22190-120002	12	112
22217-040000	11	44
22217-050000	4	56
22242-000100	4	43
22242-000200	7	15
22252-000200	8	25
22272-000040	12	48
22272-000050	12	114

Parts No.	Fig. No.	Ref. No.
22351-030010	8	34
22351-030014	12	49
22351-040010	2	19
	12	56
22351-060012	4	62
22360-040000	12	103
22360-060000	12	109
22512-040120	7	8
		22
	8	6
23000-054000	5	19
23010-038000	10	43
23065-070130	10	34
23065-120500	4	63
23414-080012	13	44
	18	25
23414-140000	13	45
	18	22
23418-060000	14	31
23871-030000	4	14
24101-062034	7	24
24102-063034	7	23
24311-000120	2	6
	4	59
	9	26
	18	3
24311-000160	10	42
24311-000180	3	16
	18	7
24311-000320	2	13
	4	57
	18	4
24311-240100	14	10
		32
24321-000350	10	20
	18	17
24341-000070	12	57
24341-000240	2	34
	18	5
24341-000280	12	67
26014-060352	10	17
26014-080222	6	12
26014-080252	16	16
26014-080702	14	11
26022-040082	11	45
26106-060102	3	17
	12	58
26106-060122	1	25
	5	17
	7	16

Parts No.	Fig. No.	Ref. No.
26106-060122	9	27
26106-060162	2	7
		35
		38
	5	3
	7	25
26106-060182	10	21
26106-060222	3	10
26106-060282	5	4
26106-060302	2	8
26106-060402	2	9
	6	2
26106-060452	3	18
26106-060502	2	10
26106-060652	2	11
26106-060702	6	7
	12	104
26106-060952	12	69
26106-080122	5	16
26106-080142	4	5
		6
26106-080202	16	18
26106-080452	4	45
	10	13
26106-100162	6	9
26106-100402	16	17
26116-050102	12	105
26116-060304	12	106
26116-120252	15	49
26206-100252	3	5
26216-060402	6	3
26216-080222	6	4
26366-060002	2	31
	6	5
26366-080002	4	46
26450-060202	9	12
26557-050102	4	58
26587-040102	11	46
26587-080102	7	26
26687-120002	12	61
26756-060002	4	38
		42
	12	110
26776-120002	12	107
27221-050080	4	15
27221-060100	1	11
27231-400000	1	12
27241-100000	1	13
27241-250000	1	14
27241-300000	1	15

Parts No. Index

Parts No.	Fig. No.	Ref. No.
27241-350000	4	16
28110-100120	18	28
28110-140170	18	29
714250-11570	4	21
719225-51100	11	1
719260-02800	1	17
719260-02870	1	26
719260-02930	1	20
719260-11520	4	48
719260-11650	4	35
719260-11660	4	39
719260-23600	8	32
719260-23610	8	35
719265-01560	1	1
719265-92690	18	1
719620-53700	13	1
977770-01212	2	39
	3	19
	18	31
X0280210230	15	8
X0280630011	15	2
X0281003751	15	3
X0282001531	15	4
X0283005050	15	7
X0283060061	15	16
X0283270140	15	9
X0283711420	15	17
X0283715030	15	10
X0283810040	15	11
X0284004910	15	18
X0285040631	15	19
X0285100460	15	20
X0534006460	15	22
X0534040320	15	23
X0534490120	15	24
		25
X0534490230	15	26
		27
X0535050620	15	28
X0535130241	15	29
X0535130320	15	30
X0536600401	15	31
X9151005141	15	32
X9490071810	15	43
X9490071970	15	44
X9490170900	15	33
		34
X9490423330	15	45
X9490441303	15	35
X9490441312	15	36

Parts No.	Fig. No.	Ref. No.
X9490502820	15	37
		38
X9490561370	15	46
X9490721080	15	12
X9491001360	15	5
X9491001860	15	6
X9491200240	15	47
X9491402100	15	39
		40
X9491703371	15	13
X9491703380	15	48
X9491704260	15	14
X9491730461	15	21
XM069000000	16	7
XM081780000	16	8
XM178780000	16	9
XM219230000	16	2
XM329830000	16	3
XM860250000	16	4
XM863720000	16	5
XYS400800	16	10
XYS402400	16	11

Parts No.	Fig. No.	Ref. No.
-----------	----------	----------

Parts No.	Fig. No.	Ref. No.
-----------	----------	----------