

OCD10-M59700EN

# PREFACE

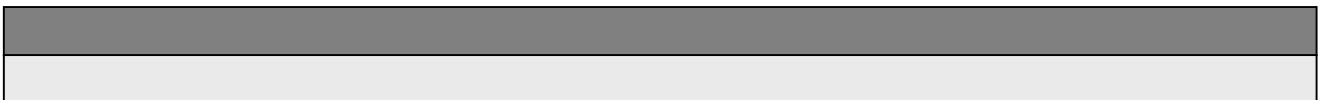
1. This Parts Catalog is the 1st edition of 4TNE88-YBB Diesel Engine for YUTANI IND..

Pub. No. : 000Y00D5970

Published : August, 1996

2. Model name

Engine model	Vehicle		Vehicle made by
	Products	Model name	
4TNE88-YBB	EXCAVATOR	—	YUTANI IND.



## Directions for the Parts Catalog.

1. This Parts Catalog shows both standard and optional parts.
2. Parts may change without prior notice.
3. The following is an example of the Parts Catalog format.

REF.	LEV.	PARTS NO.	DESCRIPTION	Q'TY						I	R
				(A)	(B)	(C)	(D)	(E)	(F)		
1	1	729595-51390	FUEL INJECTION PUMP	1	1	1	1	1			1
1-1	1	729595-51391	FUEL INJECTION PUMP	1	1	1	1	1		N	1
		(A=E00185) (B=E00200)									
3	2	26022-060162	SCREW M 6X 16	9	9	9	9	9			
3-1	2	26022-060162	SCREW M 6X 16	4	4	4	4	4		K	
		(A=E00156) (B=E00156) (C=E00156) (D=E00156) (E=E00156)									
4	2	129470-51040	CAMSHAFT	1	1	1	1	1			
5	2	122710-51050	BEARING, ROLLER	2	2	2	2	2			
6	2	129470-51060	RETAINER	1	1	1	1	1			

Remarks
(1) BOOST COMPEMSATOR TYPE. OPTIONAL PART, TO E00155,(4JH-DT, 4JH-DTZ

### ① Ref. No.

The Ref. No. listed may not be in accordance with the illustration Ref. No.

(Ex.) Illustration No.

List Ref No.

1

1

(Before change)

1-1

(After change)

For interchangeable symbols N, R and K, illustrations for new parts may be abbreviated.

### ② Lev. (Level)

Level indication

The numbers below indicate the level of relativity towards the main part.

1 ----- Main parts (Assembly parts)

2 ----- Sub component included in " 1 ".

3 ----- Sub component included in " 2 ".

Note) Parts that are not for sale are partially illustrated but not listed.

### ③ Interchangeability Symbol

When a part change takes place, one of the following interchangeability symbols is indicated beside the part.

Symbol	Interchangeability	Contents note
N	Old $\begin{matrix} \leftarrow \text{Yes} \\ \text{No} \rightarrow \end{matrix}$ New	New Part is interchangeable for Old Part but Old Part is not interchangeable for New Part.
Q	Old $\begin{matrix} \leftarrow \text{No} \\ \text{Yes} \rightarrow \end{matrix}$ New	New Part is not interchangeable for Old Part but Old Part is interchangeable for New Part.
R	Old $\begin{matrix} \leftarrow \text{Yes} \\ \text{Yes} \rightarrow \end{matrix}$ New	New/ Old Parts are both interchangeable.
S	Old $\begin{matrix} \leftarrow \text{No} \\ \text{No} \rightarrow \end{matrix}$ New	New/ Old Parts are both not interchangeable.
W		Part newly added.
Z		Part discontinued.
F		Not interchangeable by a single part but interchangeable together with related parts.
K		Changes only for used parts quantities.

### ④ Effective Machine No.

When a part changes, the effective Machine No. will be indicated in the (A)-(F) column.

Product Symbol	Product No.	Product Symbol	Product No.
C	Clutch No. Compressor No.	F	Machine No. (Agricultural Equip.)
D	Drive No.	M	Machine No.
E	Engine No.		

Note 1) A date may follow the symbol. (Ex.) 1996.01

Note 2) "XXXXX" and "ZZZZZ" are for parts that could not be predicted or for engine models that could not be identified.

Note 3) (A=E00185) is the E (Engine Serial Number) for the column (A) model (in this case 4JH-DT) after the parts design change.

### ⑤ Remarks

Figures or alphabets (symbols) are entered in the remarks column.

The comments (remarks) on parts that are indicated at the bottom of the illustration are the same symbols as those stated above.

# Contents

Fig. No. Fig. Name

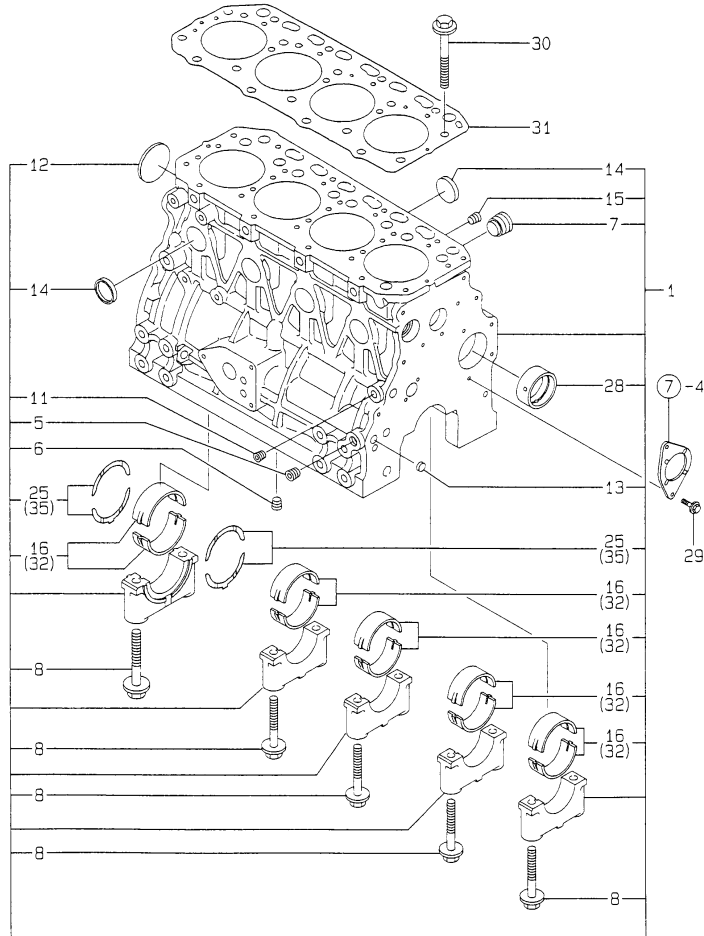
4TNE88-YBB

1. CYLINDER BLOCK
2. GEAR HOUSING
3. FLYWHEEL HOUSING & OIL SUMP
4. CYLINDER HEAD & BONNET
5. SUCTION MANIFOLD & AIR CLEANER
6. EXHAUST MANIFOLD & SILENCER
7. CAMSHAFT & DRIVING GEAR
8. CRANKSHAFT & PISTON
9. LUB.OIL SYSTEM
10. COOLING WATER SYSTEM
11. FUEL INJECTION PUMP
12. GOVERNOR
13. FUEL INJECTION VALVE
14. FUEL LINE
15. STARTING MOTOR
16. GENERATOR
17. GASKET SET

Fig. No. Fig. Name

# Fig.1. CYLINDER BLOCK

Y00D5970  
4TNE88-YBB



(A)=4TNE88-YBB

(B)=

(C)=

(D)=

(E)=

(F)=

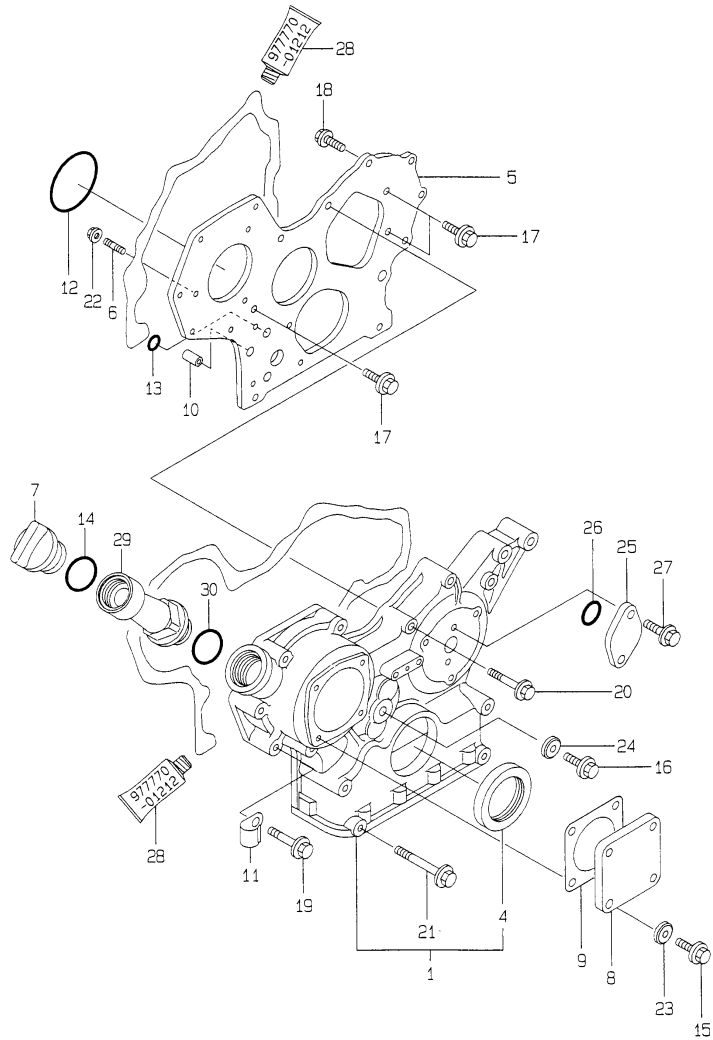
No.	Lev.	Parts No.	Description	Q'ty						I	R
				(A)	(B)	(C)	(D)	(E)	(F)		
1	1	729407-01561	BLOCK ASSY, CYLINDER	1							
5	2	124160-01910	PLUG, PT1/4	2							
6	2	124160-01910	PLUG, PT1/4	1							
7	2	171051-01921	PLUG, NPTF1	1							
8	2	129150-02020	BOLT, METAL CAP	10							
11	2	23871-010000	PLUG, R01	1							
12	2	27231-500000	PLUG 50	1							
13	2	27241-120000	PLUG, 12	2							
14	2	27241-300000	PLUG 30	8							
15	2	23871-030000	PLUG, R03	1							
16	2	129001-02800	BEARING, MAIN	5							
25	2	129150-02930	BEARING, THRUST	2							
28	2	129795-02411	BUSH, CAMSHAFT	1							
29	1	26106-080162	BOLT, M8X 16 PLATED	2							
30	1	129150-01200	BOLT, HEAD	18							
31	1	129407-01340	GASKET, HEAD	1							
32	1	129150-02870	BEARING, 0.25 US	5							1
35	1	129150-02940	BEARING, THRUST 0.25	2							2

**Remarks**

- (1) UNDER-SIZED(U.S=0.25)PART.
- (2) OVER-SIZED(O.S=0.25)PART.

Fig.2. GEAR HOUSING

Y00D5970  
4TNE88-YBB



(A)=4TNE88-YBB

(B)=

(C)=

(D)=

(E)=

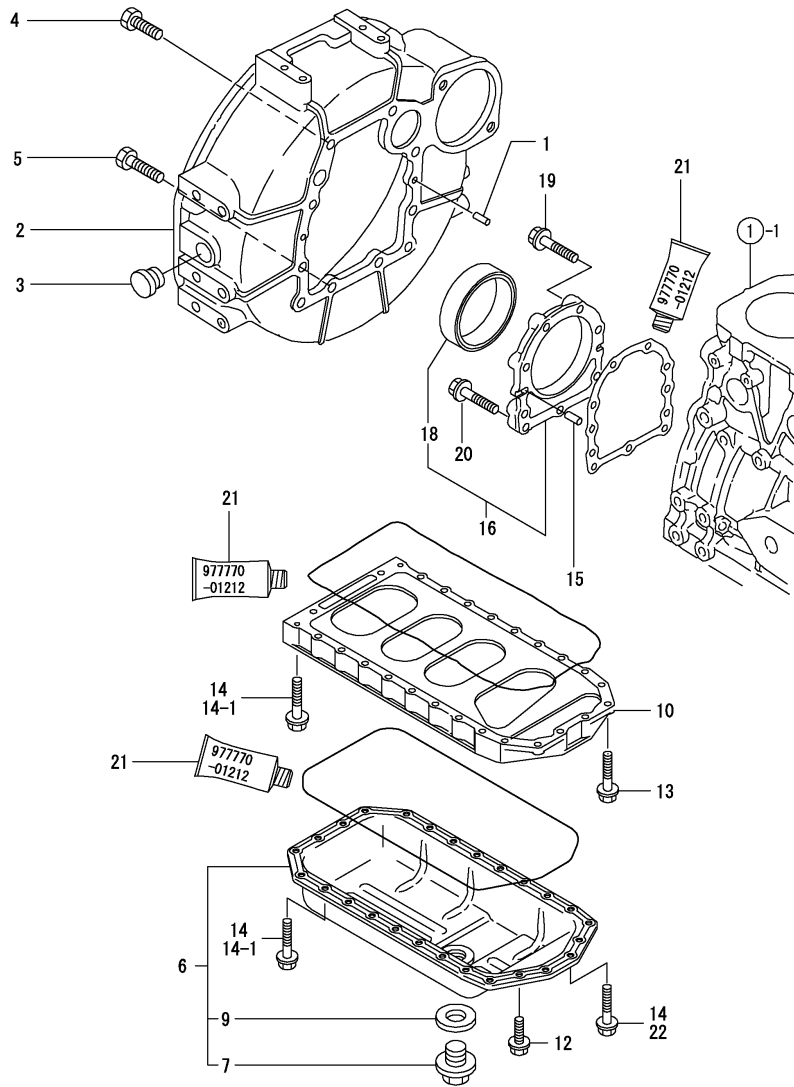
(F)=

No.	Lev.	Parts No.	Description	Q'ty						I	R
				(A)	(B)	(C)	(D)	(E)	(F)		
1	1	719810-01500	CASE ASSY, GEAR	1							
4	2	129795-01800	SEAL, OIL	1							
5	1	129400-01520	FLANGE, GEAR CASE	1							
6	1	121450-01560	STUD, M8X22	3							
7	1	124160-01751	COVER, FILLER	1							
8	1	124240-01871	COVER	1							
9	1	124240-01883	GASKET	1							
10	1	129795-01950	PIPE, KNOCK L=18	2							
11	1	129150-03100	RETAINER, PIPE	1							
12	1	121850-51960	O-RING	1							
13	1	24311-000160	O-RING, 1AP16.0	2							
14	1	24311-000320	O-RING, 1AP32.0	1							
15	1	26106-080122	BOLT, M8X 12 PLATED	4							
16	1	26106-080162	BOLT, M8X 16 PLATED	1							
17	1	26106-080162	BOLT, M8X 16 PLATED	3							
18	1	26106-080202	BOLT, M8X 20 PLATED	2							
19	1	26106-080452	BOLT, M8X 45 PLATED	6							
20	1	26106-080552	BOLT, M8X 55 PLATED	3							
21	1	26106-080852	BOLT, M8X 85 PLATED	4							
22	1	26366-080002	NUT, M8	3							
23	1	22190-080002	WASHER, SEAL 6	4							
24	1	22190-080002	WASHER, SEAL 6	1							
25	1	121023-01550	COVER	1							
26	1	24341-000240	O-RING, 1AS24.0	1							
27	1	26106-060122	BOLT, M6X 12 PLATED	2							
28	1	977770-01212	GASKET, LIQUID	1							1
29	1	171031-11741	PIPE	1							
30	1	24311-000320	O-RING, 1AP32.0	1							

Remarks

(1) OPTIONAL PART.

Fig.3. FLYWHEEL HOUSING & OIL SUMP



No.	Lev.	Parts No.	Description	Q'ty						I	R
				(A)	(B)	(C)	(D)	(E)	(F)		
1	1	129100-01580	PIN, M8X16	2							
2	1	171301-01600	HOUSING, FLYWHEEL	1							
3	1	119620-01750	CAP	1							
4	1	26206-100252	BOLT, M10X 25 PLATED	6							
5	1	26206-100302	BOLT, M10X 30 PLATED	4							
6	1	729402-01540	SUMP ASSY, OIL	1							
7	2	119640-01640	PLUG, DRAIN M22	1							
9	2	22190-220002	WASHER, SEAL 22	1							
10	1	129400-01730	SPACER, OIL SUMP	1							
12	1	26106-080162	BOLT, M8X 16 PLATED	4							
13	1	26106-080252	BOLT, M8X 25 PLATED	2							
14	1	26106-080452	BOLT, M8X 45 PLATED	24							
14-1	1	26106-080452	BOLT, M8X 45 PLATED	20							K
(A=FROM 1ST)											
15	1	129100-01580	PIN, M8X16	2							
16	1	129100-01640	CASE ASSY, OIL SEAL	1							
18	2	129795-01780	SEAL, OIL	1							
19	1	129486-01670	BOLT, M8X30	6							
20	1	26106-080352	BOLT, M8X 35 PLATED	3							
21	1	977770-01212	GASKET, LIQUID	1							1
22	1	26106-080502	BOLT, M8X 50 PLATED	4							W
(A=FROM 1ST)											

Remarks  
(1) OPTIONAL PART.

Fig.4. CYLINDER HEAD & BONNET

(A)=4TNE88-YBB

(B)=

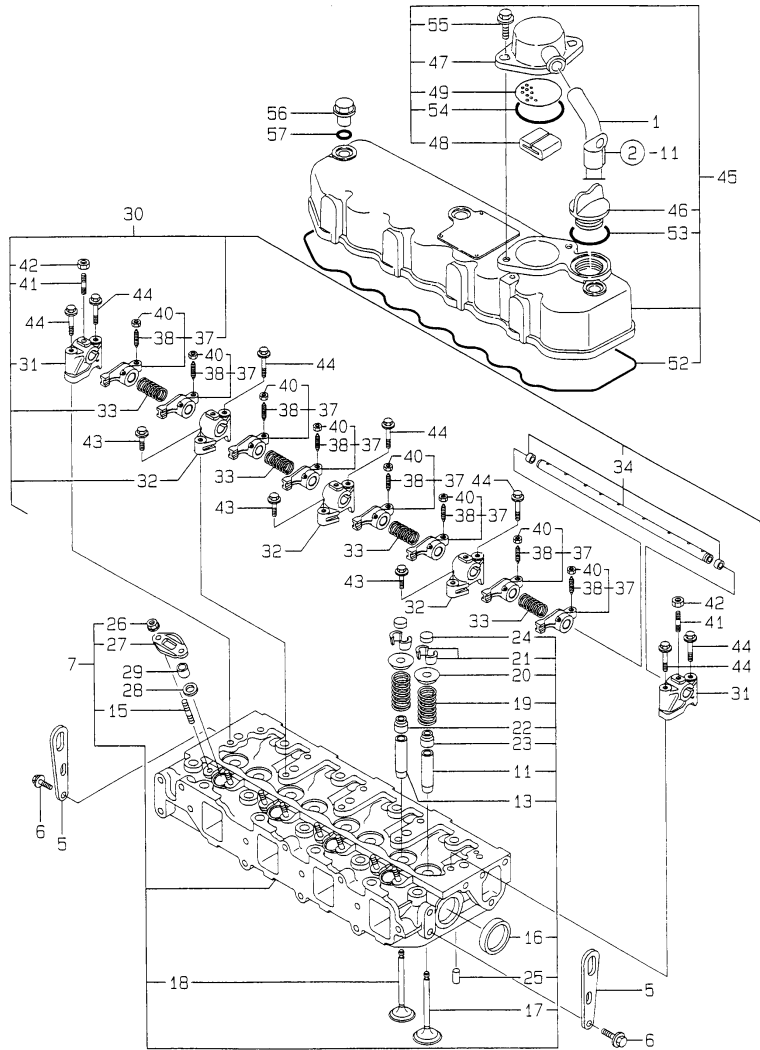
(C)=

(D)=

(E)=

(F)=

Y00D5970  
4TNE88-YBB



No.	Lev.	Parts No.	Description	Q'ty						I	R
				(A)	(B)	(C)	(D)	(E)	(F)		
1	1	171350-03090	PIPE , BREATHER 900	1							
5	1	124736-07900	LIFTER	2							
6	1	26106-080142	BOLT, M8X 14 PLATED	4							
7	1	129407-11700	HEAD ASSY, CYLINDER	1							
11	2	120130-11860	GUIDE, VALVE	4							1
13	2	129150-11810	GUIDE, VALVE	4							1
15	2	26216-060202	STUD, M6X 20	8							
16	2	27241-400000	PLUG, 40	2							
17	2	129100-11100	VALVE, INTAKE	4							
18	2	129100-11110	VALVE, EXHAUST	4							
19	2	129795-11120	SPRING, VALVE	8							
20	2	129795-11180	RETAINER, SPRING	8							
21	2	27310-080001	COTTER, 8	8							
22	2	121400-11340	SEAL, VALVE STEM	4							
23	2	124460-11340	SEAL, VALVE STEM	4							
24	2	129150-11370	CAP, VALVE	8							
25	2	22351-060012	PIN, SPRING 6.0X12	2							
26	2	26366-060002	NUT, M6	8							
27	2	119625-11900	RETAINER, NOZZLE	4							
28	1	119625-11880	SEAT, NOZZLE	4							
29	1	119625-11871	PROTECTOR, NOZZLE	4							
30	1	129500-11240	SHAFT ASSY, ROCKER	1							
31	2	129155-11260	SUPPORT, ROCKER ARM	2							
32	2	129155-11270	SUPPORT, ROCKER ARM	3							
33	2	129150-11280	SPRING	4							
34	2	129550-11290	SHAFT, ROCKER ARM	1							
37	2	129100-11650	ARM, ROCKER	8							
38	3	129150-11230	SCREW, VALVE ADJUST	8							
40	3	129150-11750	NUT, M8	8							
41	2	26226-080182	STUD, M8X 18	3							
42	2	26756-080002	NUT, LOCK M8	3							
43	1	26106-080252	BOLT, M8X 25 PLATED	3							
44	1	26106-080502	BOLT, M8X 50 PLATED	7							
45	1	129400-11350	BONNET ASSY, HEAD	1							
46	2	124160-01751	COVER, FILLER	1							
47	2	129150-03020	COVER, BREATHER	1							
48	2	129150-03070	BAFFLE, BREATHER	1							
49	2	129150-03080	PLATE, BAFFLE	1							
52	2	129550-11310	GASKET, BONNET	1							
53	2	24311-000320	O-RING, 1AP32.0	1							
54	2	24341-000500	O-RING, 1AS50.0	1							
55	2	26106-080162	BOLT, M8X 16 PLATED	2							
56	1	124160-11360	KNOB	3							
57	1	24311-000120	O-RING, 1AP12.0	3							

Remarks

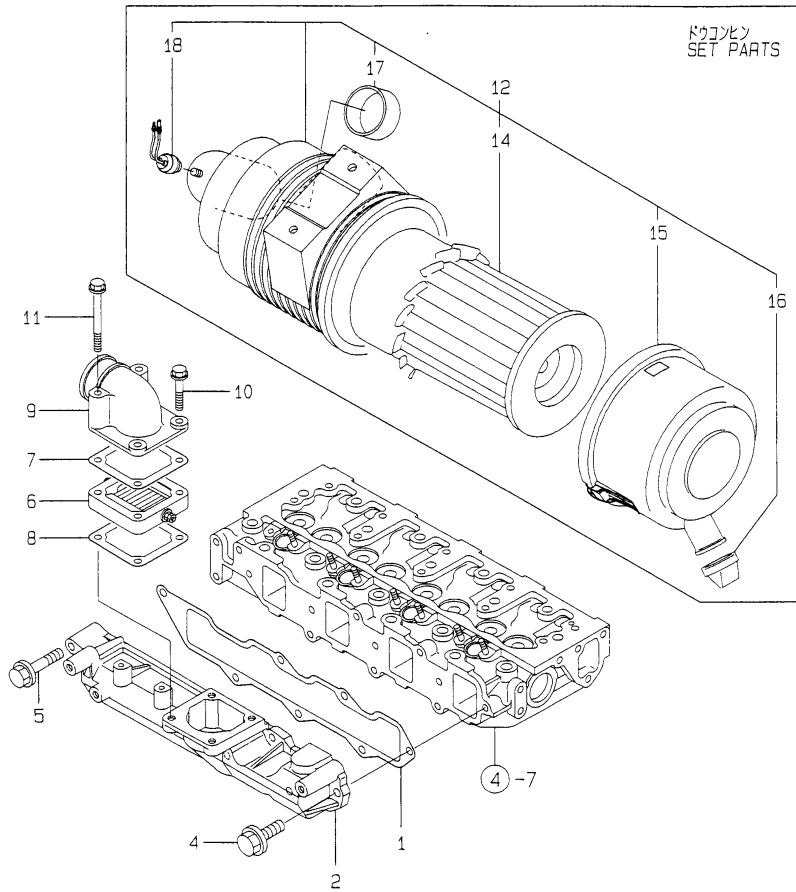
(1) REPAIR PART.

N:Old  $\xrightarrow{\text{Yes}}$  New, Q:Old  $\xrightarrow{\text{No}}$  New, R:Old  $\xrightarrow{\text{Yes}}$  New, S:Old  $\xrightarrow{\text{No}}$  New, W:Add, Z:Discontinued, F:Interchangeable by set, K:Q'ty Change



Fig.5. SUCTION MANIFOLD & AIR CLEANER

Y00D5970  
4TNE88-YBB



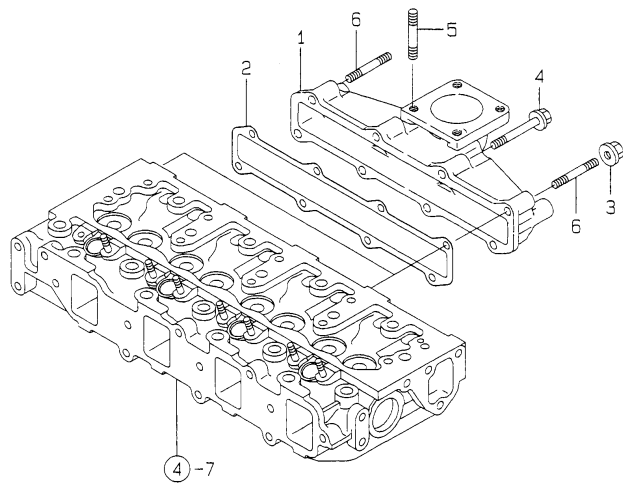
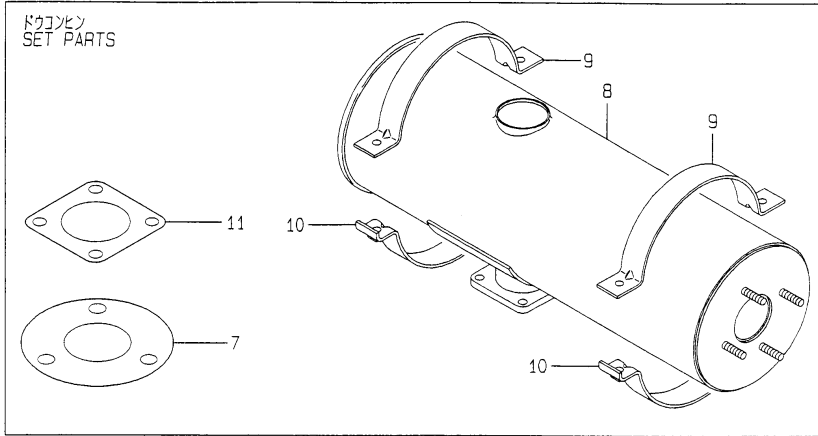
(A)=4TNE88-YBB  
(B)=  
(C)=

(D)=  
(E)=  
(F)=

No.	Lev.	Parts No.	Description	Q'ty						I	R
				(A)	(B)	(C)	(D)	(E)	(F)		
1	1	129407-12110	GASKET, MANIFOLD	1							
2	1	129407-12120	MANIFOLD, AIR INTAKE	1							
4	1	26106-080202	BOLT, M8X 20 PLATED	6							
5	1	26106-080502	BOLT, M8X 50 PLATED	1							
6	1	129100-77500	HEATER, AIR 12V	1							
7	1	129100-77510	GASKET	1							
8	1	129150-77511	GASKET	1							
9	1	171340-77520	BEND	1							
10	1	26106-080402	BOLT, M8X 40 PLATED	2							
11	1	26106-080802	BOLT, M8X 80 PLATED	2							
12	1	129612-12510	CLEANER ASSY, AIR	1							
14	2	119808-12520	ELEMENT	1							
15	2	119866-12530	COVER ASSY	1							
16	2	119808-12540	VALVE, UNLOADER	1							
17	2	129259-12570	RING	1							
18	2	119140-12680	INDICATOR	1							

Fig.6. EXHAUST MANIFOLD & SILENCER

Y00D5970  
4TNE88-YBB



(A)=4TNE88-YBB  
(B)=  
(C)=

(D)=  
(E)=  
(F)=

No.	Lev.	Parts No.	Description	Qty						I	R
				(A)	(B)	(C)	(D)	(E)	(F)		
1	1	129407-13100	MANIFOLD, EXHAUST	1							
2	1	129407-13110	GASKET	1							
3	1	194990-22050	NUT, M8	2							
4	1	26106-080402	BOLT, M8X 40 PLATED	6							
5	1	26216-080222	STUD, M8X 22	4							
6	1	26216-080402	STUD, M8X 40	2							
7	1	103954-13201	GASKET, SILENCER	1							
8	1	129612-13520	SILENCER	1							
9	1	171091-13670	BAND	2							
10	1	171091-13680	BAND	2							
11	1	124701-11911	GASKET, SILENCER	2							

# Fig.7. CAMSHAFT & DRIVING GEAR

(A)=4TNE88-YBB

(B)=

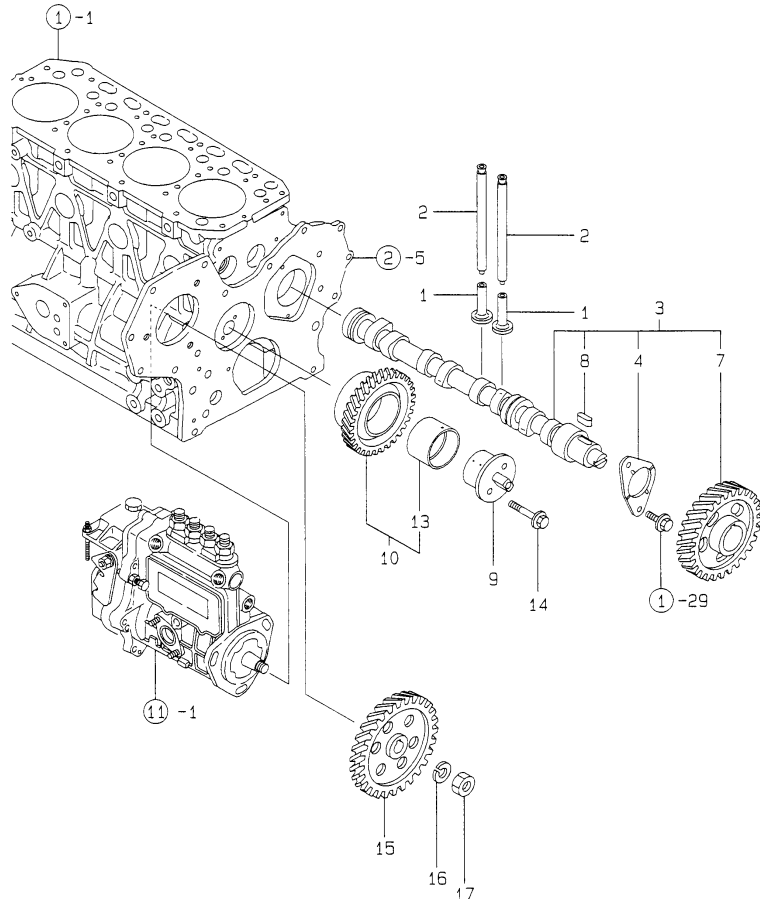
(C)=

(D)=

(E)=

(F)=

Y00D5970  
4TNE88-YBB



No.	Lev.	Parts No.	Description	Q'ty						I	R
				(A)	(B)	(C)	(D)	(E)	(F)		
1	1	129150-14200	TAPPET	8							
2	1	129150-14400	ROD, PUSH L=178	8							
3	1	729402-14580	CAMSHAFT ASSY	1							
4	2	129150-02450	BEARING, THRUST	1							
7	2	129150-14101	GEAR, CAMSHAFT	1							
8	2	22512-070140	KEY, 7X 14	1							
9	1	129100-25061	SHAFT, IDLE	1							
10	1	129150-25101	GEAR ASSY, IDLE	1							
13	2	129150-25920	BUSH, IDLE GEAR	1							1
14	1	26106-080452	BOLT, M8X 45 PLATED	2							
15	1	129150-25900	GEAR, PUMP	1							
16	1	22217-120000	WASHER, SPRING 12	1							
17	1	26716-120002	NUT, M12	1							

Remarks

(1) REPAIR PART.

# Fig.8. CRANKSHAFT & PISTON

(A)=4TNE88-YBB

(B)=

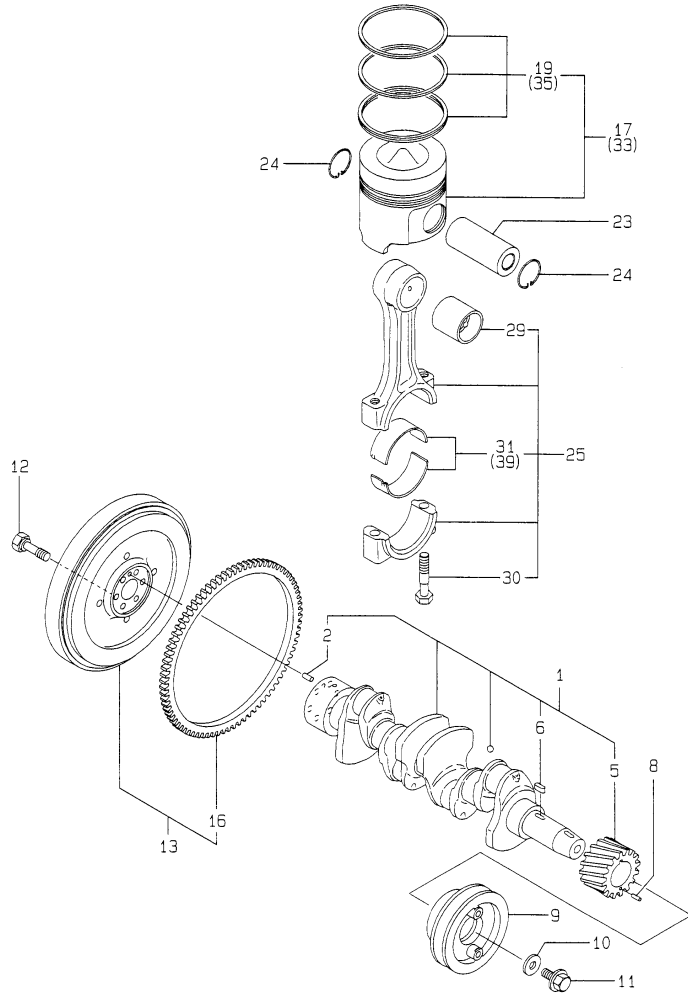
(C)=

(D)=

(E)=

(F)=

Y00D5970  
4TNE88-YBB



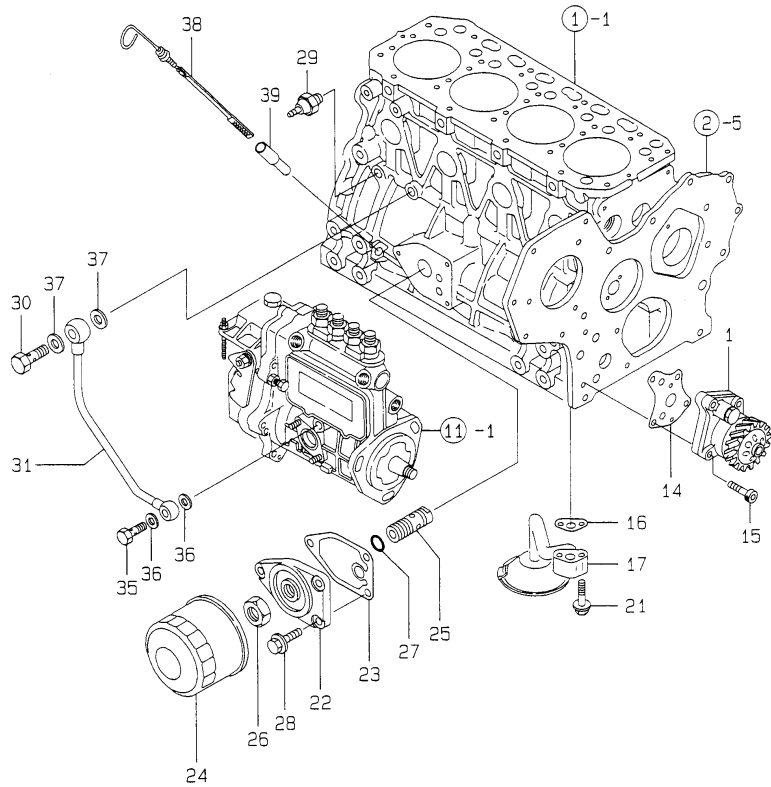
No.	Lev.	Parts No.	Description	Q'ty						I	R
				(A)	(B)	(C)	(D)	(E)	(F)		
1	1	129407-21000	CRANKSHAFT ASSY	1							
2	2	129100-01580	PIN, M8X16	1							
5	2	129150-21200	GEAR, CRANKSHAFT	1							
6	2	22512-070140	KEY, 7X 14	1							
8	1	22351-040010	PIN, SPRING 4.0X10	1							
9	1	129550-21650	V-PULLEY	1							
10	1	129795-21661	WASHER	1							
11	1	121850-21680	BOLT	1							
12	1	121111-21501	BOLT, FLYWHEEL	6							
13	1	129612-21581	FLYWHEEL ASSY	1							
16	2	119865-21600	GEAR, RING	1							
17	1	129001-22081	PISTON ASSY	4							
19	2	129001-22500	RING SET, PISTON	4							
23	1	129202-22300	PIN, PISTON D26 L70	4							
24	1	22252-000260	RING, 26	8							
25	1	729402-23100	ROD ASSY, CONNECTING	4							
29	2	129100-23910	BEARING, PISTON PIN	4							1
30	2	121550-23200	BOLT, CONNECTING ROD	8							
31	2	129150-23600	BEARING, CRANK PIN	4							
33	1	129001-22901	PISTON ASSY, 0.25 OS	4							2
35	2	129001-22950	RING SET, 0.25 OS	4							2
39	1	129150-23610	BEARING, 0.25 US	4							3

Remarks

- (1) REPAIR PART.
- (2) OVER-SIZE (O.S=0.25)PART.
- (3) UNDER-SIZE(U.S=0.25)PART.

# Fig.9. LUB.OIL SYSTEM

Y00D5970  
4TNE88-YBB



(A)=4TNE88-YBB

(B)=

(C)=

(D)=

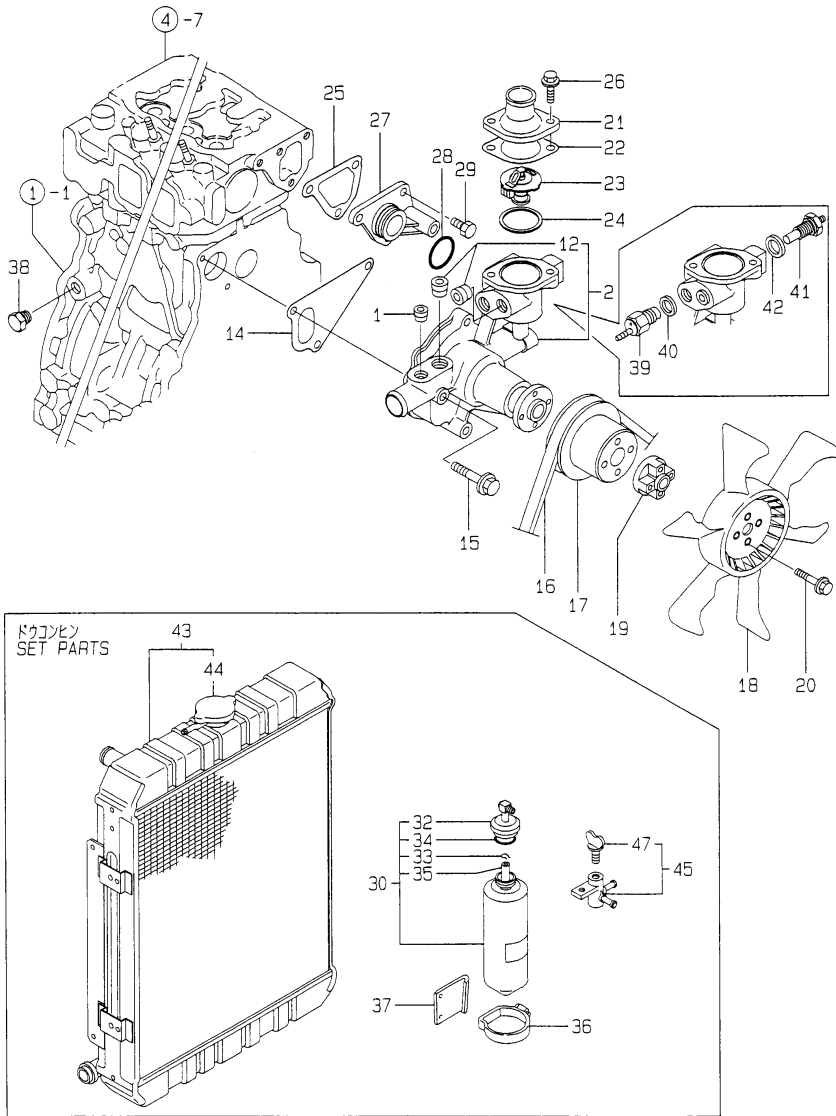
(E)=

(F)=

No.	Lev.	Parts No.	Description	Q'ty						I	R
				(A)	(B)	(C)	(D)	(E)	(F)		
1	1	129407-32000	PUMP ASSY, OIL	1							
14	1	129150-32020	GASKET, PUMP	1							
15	1	26450-060252	BOLT, M6X 25	4							
16	1	129150-35041	GASKET	1							
17	1	129150-35091	PIPE ASSY, OIL INLET	1							
21	1	26106-080352	BOLT, M8X 35 PLATED	2							
22	1	129150-35101	BRACKET, STRAINER	1							
23	1	129150-35111	GASKET	1							
24	1	129150-35151	FILTER, D80XL80	1							
25	1	129001-35300	BOLT, FILTER	1							
26	1	129150-35350	NUT	1							
27	1	24311-000160	O-RING, 1AP16.0	1							
28	1	26106-080202	BOLT, M8X 20 PLATED	3							
29	1	124160-39450	SWITCH, 0.5KG	1							
30	1	124160-39140	BOLT, PIPE JOINT M10	1							
31	1	129550-39450	PIPE ASSY, OIL	1							
35	1	124550-59820	BOLT, PIPE JOINT M8	1							
36	1	22190-080002	WASHER, SEAL 6	2							
37	1	23414-100000	GASKET, 10X1.0	2							
38	1	171420-34800	DIPSTICK, OIL	1							
39	1	121520-34810	GUIDE, DIPSTICK	1							

Fig.10. COOLING WATER SYSTEM

Y00D5970  
4TNE88-YBB



(A)=4TNE88-YBB

(B)=

(C)=

(D)=

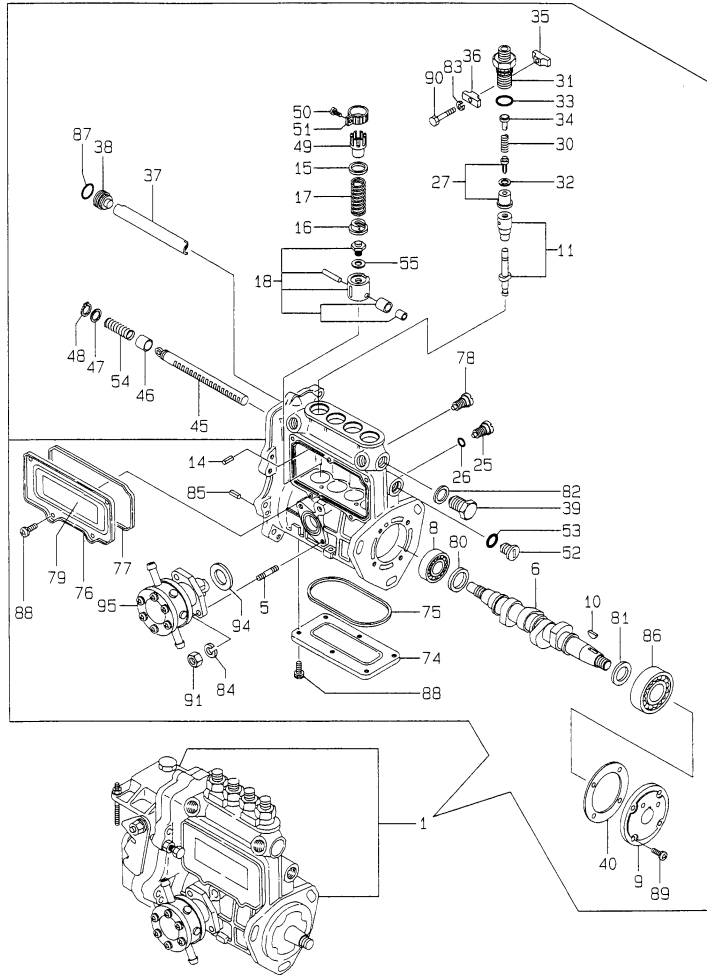
(E)=

(F)=

No.	Lev.	Parts No.	Description	Q'ty						I	R
				(A)	(B)	(C)	(D)	(E)	(F)		
1	1	121850-11860	PLUG, PT1/4	1							
2	1	129001-42002	PUMP ASSY, WATER	1							
12	2	23871-030000	PLUG, R03	2							
14	1	129100-42020	GASKET, WATER PUMP	1							
15	1	26106-080602	BOLT, M8X 60 PLATED	3							
16	1	25132-003900	V-BELT, A39	1							
17	1	129155-42350	V-PULLEY	1							
18	1	171440-44740	FAN, COOLING D350XQF	1							
19	1	171353-44760	SPACER, FAN	1							
20	1	26106-060352	BOLT, M6X 35 PLATED	4							
21	1	129350-49560	COVER, THERMOSTAT	1							
22	1	129795-49551	GASKET	1							
23	1	129155-49800	THERMOSTAT, 71	1							
24	1	129150-49811	GASKET, THERMOSTAT	1							
25	1	129100-49840	GASKET	1							
26	1	26106-080202	BOLT, M8X 20 PLATED	2							
27	1	129001-42040	JOINT	1							
28	1	24321-000300	O-RING, 1AG30.0	1							
29	1	26106-080162	BOLT, M8X 16 PLATED	3							
30	1	171064-44510	TANK ASSY, SUB	1							
32	2	121450-44531	CAP	1							
33	2	124450-44560	RETAINER	1							
34	2	121470-44581	GASKET	1							
35	2	23065-070225	HOSE 7X 225	1							
36	1	124450-44550	BAND	1							
37	1	121256-44600	BRACKET, SUB TANK	1							
38	1	171056-49120	PLUG, DRAIN	1							
39	1	121250-44901	SWITCH, 110	1							
40	1	124465-44950	GASKET, 16	1							
41	1	124250-49351	SENSOR	1							
42	1	129150-49360	GASKET	1							
43	1	129612-44510	RADIATOR	1							
44	2	119259-44570	CAP, RADIATOR	1							
45	1	129550-49100	COCK ASSY, 2-WAY	1							
47	2	129150-49080	COCK, DRAIN	1							

Fig.11. FUEL INJECTION PUMP

Y00D5970  
4TNE88-YBB



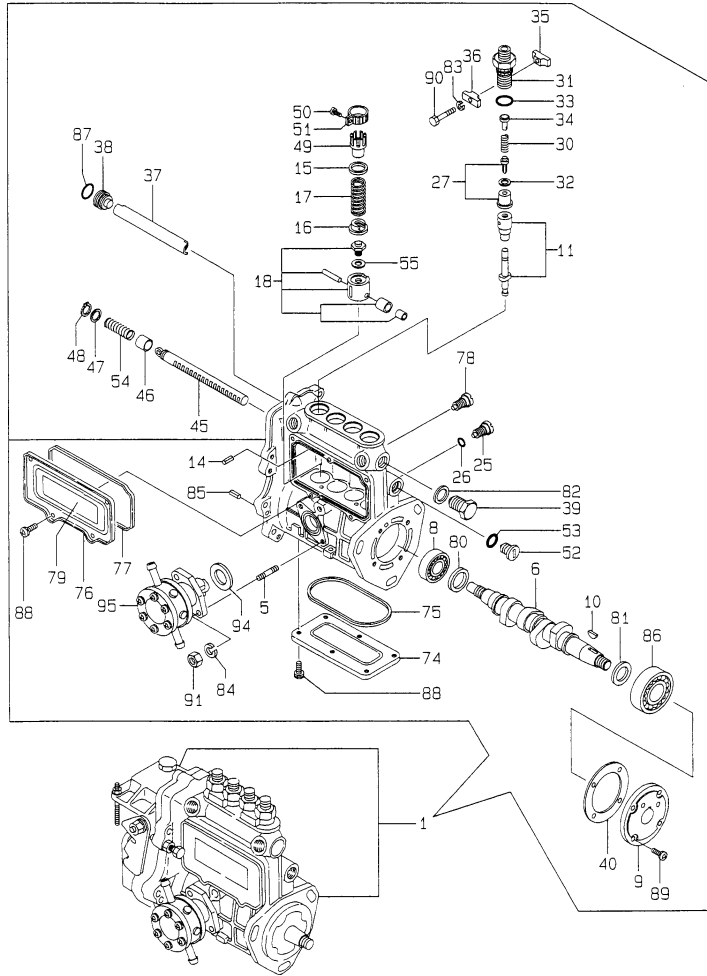
No.	Lev.	Parts No.	Description	Q'ty						I	R
				(A)	(B)	(C)	(D)	(E)	(F)		
1	1	729169-51380	PUMP ASSY, INJECTION	1							M
1-1	1	729619-51380	PUMP ASSY, INJECTION	1							1
5	2	129155-51020	STUD	2							
6	2	129470-51040	CAMSHAFT	1							
8	2	129155-51050	BEARING, 17BM001D	1							
9	2	129155-51060	SUPPORT, CAMSHAFT	1							
10	2	122710-51090	KEY	1							
11	2	129470-51101	PLUNGER ASSY	4							
14	2	129155-51140	PIN	4							
15	2	174307-51170	RETAINER, SPRING A	4							
16	2	129155-51180	RETAINER, SPRING	4							
17	2	124950-51190	SPRING, PLUNGER	4							
18	2	129155-51200	TAPPET ASSY	4							
25	2	129155-51270	STOPPER, TAPPET	4							
26	2	129155-51280	O-RING, S6	4							
27	2	129450-51300	VALVE ASSY, DELIVERY	4							
30	2	129155-51320	SPRING, DELIVERY	4							
31	2	129155-51340	RETAINER	4							
32	2	124550-51350	GASKET, DELIVERY	4							
33	2	124550-51370	O-RING	4							
34	2	129155-51370	STOPPER, VALVE	4							
35	2	129155-51380	STOPPER	2							
36	2	129155-51390	STOPPER	2							
37	2	129555-51400	DEFLECTOR	1							
38	2	129155-51410	BOLT	1							
39	2	129155-51420	PLUG, M16	1							
40	2	129155-51450	SHIM SET, ADJUSTING	1							
45	2	129555-51500	RACK, CONTROL	1							
46	2	129155-51521	BUSH, RACK	1							
47	2	129155-51530	SPACER	1							
48	2	129155-51540	CIRCLIP	1							
49	2	129155-51550	PINION, CONTROL	4							
50	2	122117-51560	SCREW	4							
51	2	174307-51560	PINION	4							
52	2	129155-51570	PLUG, M12	1							
53	2	129155-51580	O-RING	1							
54	2	129155-51591	SPRING, RACK	1							
55	2	129155-51600	SHIM SET, ADJUSTING	4							
74	2	129555-51700	COVER	1							
75	2	129555-51710	GASKET	1							
76	2	129555-51750	COVER	1							
77	2	129555-51760	GASKET	1							
78	2	129155-51790	STOOPER, RACK	1							
79	2	129156-51910	LABEL, CAUTION	1							
80	2	129155-51930	SPACER, T=3.25	1							
81	2	129155-51940	SPACER, T=1.5	1							
82	2	22190-160002	WASHER, SEAL 16	1							
83	2	22217-050000	WASHER, SPRING 5	2							
84	2	22217-060000	WASHER, SPRING 6	2							
85	2	22351-050010	PIN, SPRING 5.0X10	2							
86	2	24101-063034	BEARING, BALL 6303	1							

Remarks

(1) GOVERNOR ASSY(FIG.NO.12) IS INCORPORATED IN THIS FUEL INJECTION PUMP ASSY(REF.NO.1). (M) MISPRINT.

Fig.11. FUEL INJECTION PUMP

Y0005970  
4TNE88-YBB



(A)=4TNE88-YBB

(B)=

(C)=

(D)=

(E)=

(F)=

No.	Lev.	Parts No.	Description	Q'ty						I	R
				(A)	(B)	(C)	(D)	(E)	(F)		
87	2	24341-000160	O-RING, 1AS16.0	1							
88	2	26022-050102	SCREW, M5X10	11							
89	2	26022-060162	SCREW, M6X16	4							
90	2	26116-050302	BOLT, M5X 30 PLATED	2							
91	2	26716-060002	NUT, M6	2							
94	2	129155-52050	GASKET	1							
95	2	129100-52100	PUMP ASSY, FUEL FEED	1							

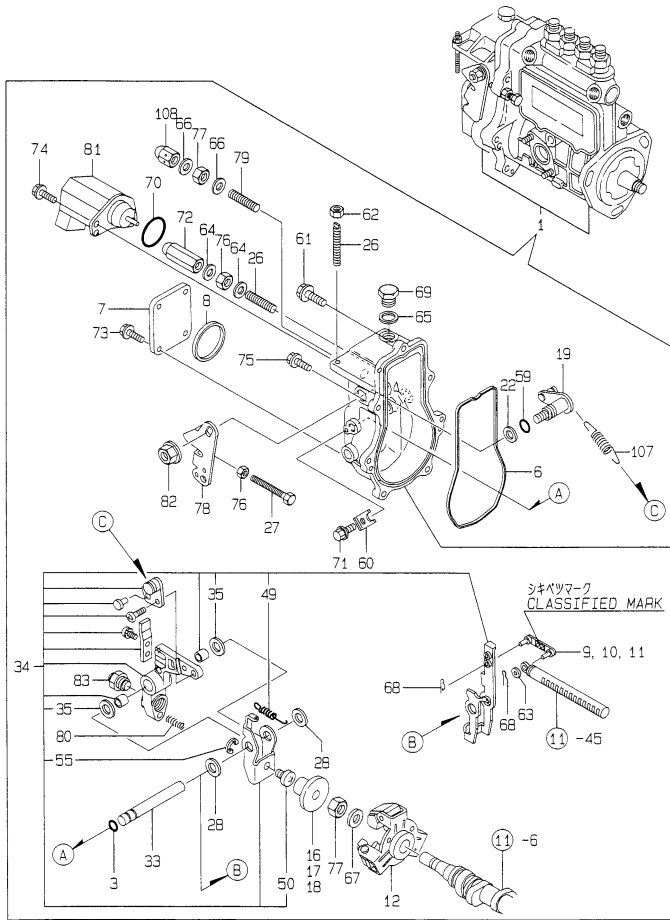
Remarks

(1) GOVERNOR ASSY(FIG.NO.12) IS INCORPORATED IN THIS FUEL INJECTION PUMP ASSY(REF.NO.1). (M) MISPRINT.



Fig.12. GOVERNOR

Y00D5970  
4TNE88-YBB



Remarks

- (1) SELECTIVE PARTS: CERTAIN THE CLASSIFICATION MARK, THEN PLACE YOUR ORDER.(REFER TO ILLUSTRATION).
- (2) SELECTIVE PARTS.
- \* THIS FIGURE(GOVERNOR ASSY) IS INCORPORATED IN THE FUEL INJECTION PUMP ASSY(FIG.11).

(A)=4TNE88-YBB

(B)=

(C)=

(D)=

(E)=

(F)=

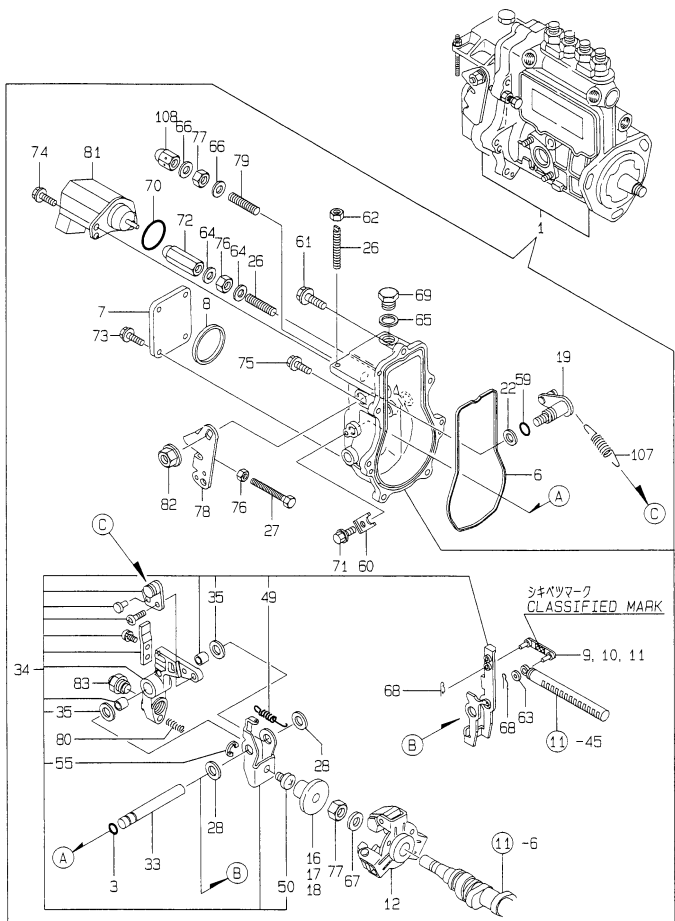
No.	Lev.	Parts No.	Description	Q'ty						I	R
				(A)	(B)	(C)	(D)	(E)	(F)		
1	1	729619-51380	PUMP ASSY, INJECTION	1							
3	2	129155-51280	O-RING, S6	1							
6	2	129052-61050	GASKET	1							
7	2	129052-61060	COVER, GOVERNOR CASE	1							
8	2	129052-61070	GASKET	1							
9	2	129155-61120	LINK, L=30 MARK 0	1							1
10	2	129155-61130	LINK, L=31 MARK 1	1							1
11	2	129155-61140	LINK, L=30.5 MARK 05	1							1
12	2	129155-61201	WEIGHT ASSY,GOVERNOR	1							
16	2	129155-61341	SLEEVE	1							2
17	2	129155-61350	SLEEVE, L=24.9	1							2
18	2	129155-61360	SLEEVE, L=25.2	1							2
19	2	129100-61400	SHAFT ASSY	1							
22	2	129155-61430	SPACER	1							
26	2	129155-61450	BOLT, LIMITER	2							
27	2	129155-61460	BOLT, IDLE	1							
28	2	129155-61480	SPACER ASSY	2							
33	2	129052-61390	SHAFT	1							
34	2	129052-61500	LEVER ASSY, GOVERNOR	1							
35	3	174307-51700	SHIM SET	2							
49	3	129052-61540	SPRING, SET	1							
50	3	129155-61540	SHIFTER	1							
55	3	22272-000040	RING, E- 4	1							
59	2	129155-61830	O-RING, S10	1							
60	2	119660-61901	RETAINER, SHAFT	1							
61	2	129155-61950	BOLT	1							
62	2	124550-66370	NUT, M6	1							
63	2	22117-040000	WASHER, 4	1							
64	2	22190-060002	WASHER, SEAL 6	2							
65	2	22190-100002	WASHER, SEAL 10	1							
66	2	22190-120002	WASHER, SEAL 12	2							
67	2	22287-120000	WASHER, 12	1							
68	2	22372-040000	PIN, SNAP 4	2							
69	2	23887-100002	PLUG, 10	1							
70	2	24341-000280	O-RING, 1AS28.0	1							
70-1	2	158552-61900	O-RING	1							N
(A=EXXXXX)											
71	2	26106-060102	BOLT, M6X 10 PLATED	1							
72	2	119600-66840	NUT, CAP	1							
73	2	26106-060102	BOLT, M6X 10 PLATED	4							
74	2	26106-060142	BOLT, M6X 14 PLATED	2							
75	2	26106-060202	BOLT, M6X 20 PLATED	6							
76	2	26756-060002	NUT, LOCK M6	2							
77	2	26776-120002	NUT, LOCK M12	2							
78	2	129100-61440	LEVER, CONTROL	1							
79	2	129155-61470	BOLT, CONTROL	1							
80	2	129100-61650	SPRING, CONTROLLER	1							
81	2	119285-77951	SOLENOID	1							
82	2	26366-080002	NUT, M8	1							
83	2	129132-61550	ANGLEICH ASSY	1							
107	2	129489-61700	SPRING, GOVERNOR	1							

# Fig.12. GOVERNOR

(A)=4TNE88-YBB  
(B)=  
(C)=

(D)=  
(E)=  
(F)=

Y00D5970  
4TNE88-YBB



No.	Lev.	Parts No.	Description	Q'ty						I	R
				(A)	(B)	(C)	(D)	(E)	(F)		
108	2	26687-120002	NUT, CAP M12	1							

---

---

---

---

---

---

---

---

---

---

---

---

---

---

---

---

---

---

---

---

---

---

---

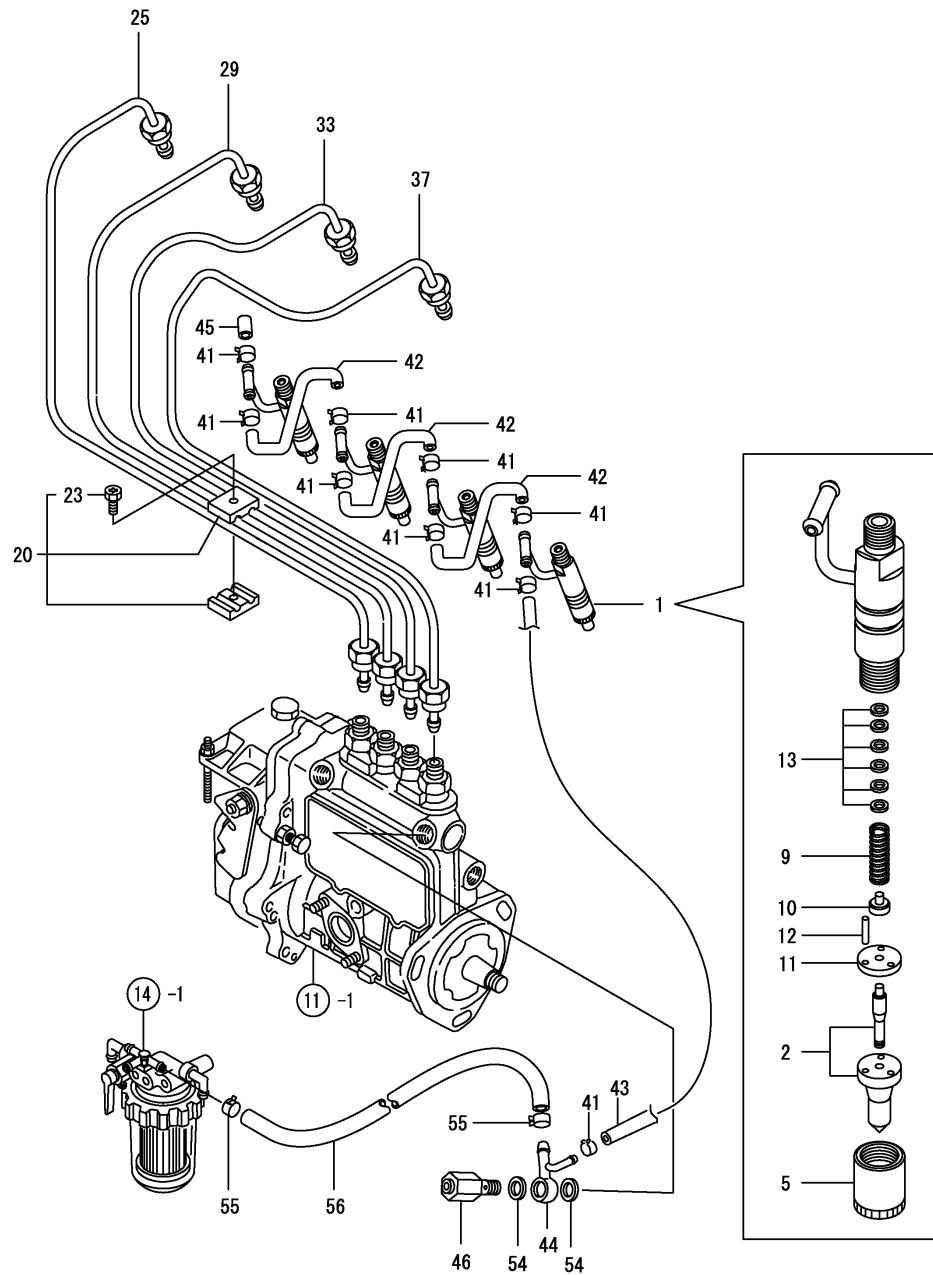
---

---

---

Remarks  
 (1) SELECTIVE PARTS: CERTAIN THE CLASSIFICATION MARK, THEN PLACE YOUR ORDER.(REFER TO ILLUSTRATION).  
 (2) SELECTIVE PARTS.  
 \* THIS FIGURE(GOVERNOR ASSY) IS INCORPORATED IN THE FUEL INJECTION PUMP ASSY(FIG.11).

Fig.13. FUEL INJECTION VALVE



(A)=4TNE88-YBB

(B)=

(C)=

(D)=

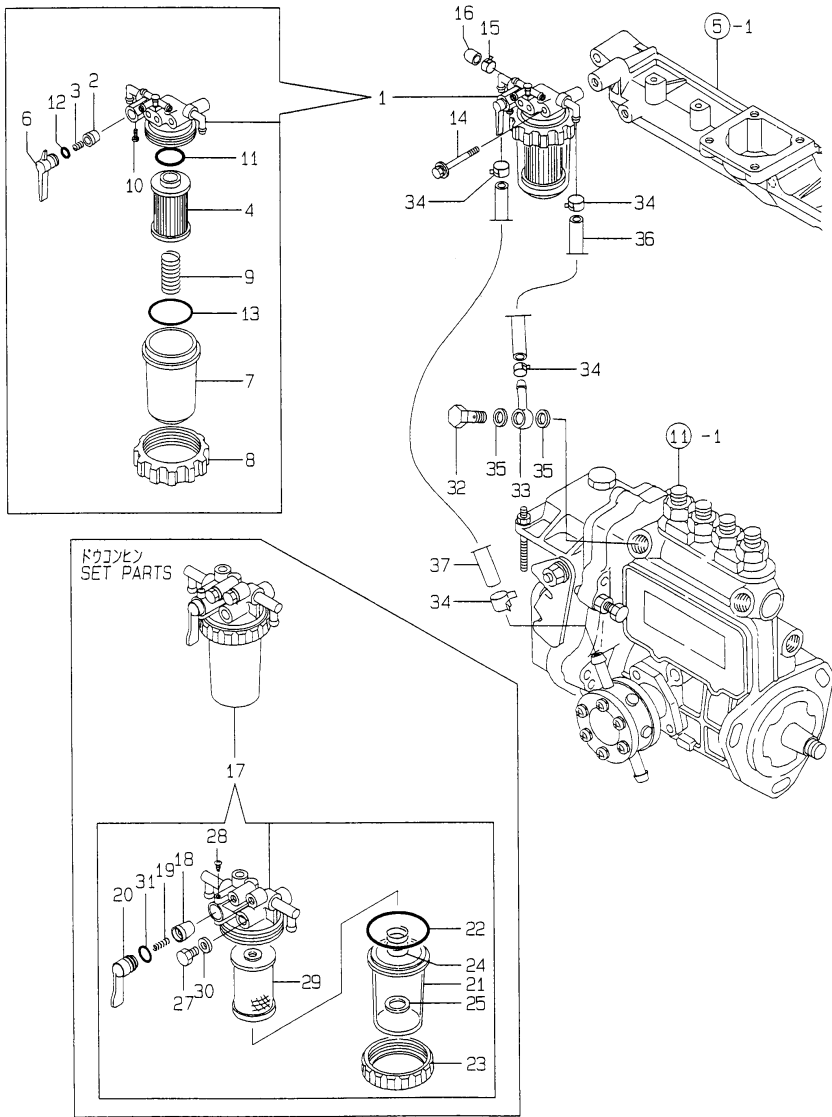
(E)=

(F)=

No.	Lev.	Parts No.	Description	Q'ty						I	R
				(A)	(B)	(C)	(D)	(E)	(F)		
1	1	729102-53100	VALVE ASSY,INJECTION	4							
2	2	129102-53000	VALVE ASSY,INJECTION	4							
5	2	114250-53080	NUT, NOZZLE D16.95	4							
9	2	114250-53120	SPRING, NOZZLE	4							
10	2	114250-53130	SEAT, SPRING	4							
11	2	114250-53140	PLATE	4							
12	2	114250-53210	PIN	8							
13	2	114250-53400	SHIM SET	4							
20	1	119305-59120	RETAINER, PIPE	2							
23	2	129150-59131	BOLT, M4X14	2							
25	1	129407-59940	PIPE ASSY, INJECTION	1							
29	1	129407-59930	PIPE ASSY, INJECTION	1							
29-1	1	129612-59831	PIPE ASSY, INJECTION	1							N
(A=E13038)											
33	1	129407-59920	PIPE ASSY, INJECTION	1							
37	1	129407-59910	PIPE ASSY, INJECTION	1							
41	1	124066-59100	CLIP, HOSE 8	9							
42	1	121250-59550	PIPE, FUEL D8X120	3							
43	1	119840-59560	PIPE, FUEL RETURN	1							
44	1	119840-59570	JOINT	1							
45	1	129150-59580	CAP	1							
46	1	129100-59951	VALVE ASSY, CHECK	1							
54	1	23414-120000	GASKET, 12X1.0	2							
55	1	124766-59050	CLIP, HOSE 12	2							
56	1	105025-59530	PIPE, FUEL D13X400	1							

# Fig.14. FUEL LINE

Y00D5970  
4TNE88-YBB



(A)=4TNE88-YBB

(B)=

(C)=

(D)=

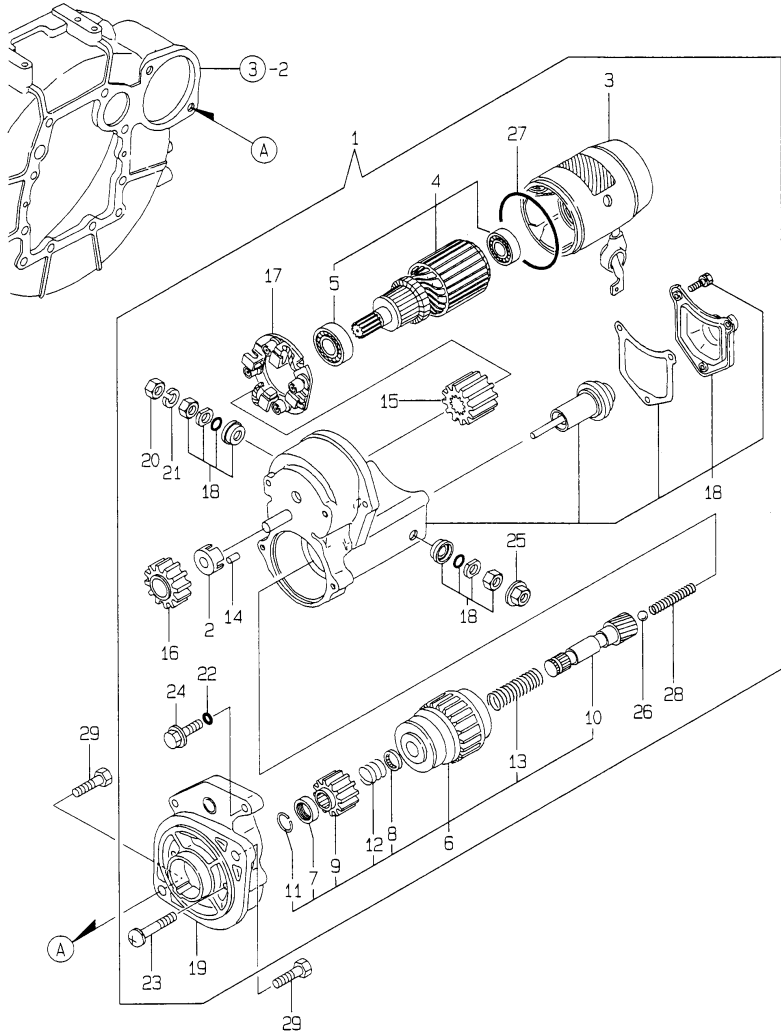
(E)=

(F)=

No.	Lev.	Parts No.	Description	Q'ty						I	R
				(A)	(B)	(C)	(D)	(E)	(F)		
1	1	129100-55621	FILTER ASSY, FUEL	1							
2	2	104200-55321	VALVE, TAPER	1							
3	2	104200-55330	SPRING, VALVE	1							
4	2	129100-55650	ELEMENT	1							
6	2	129100-55670	LEVER	1							
7	2	129100-55680	CUP, STRAINER	1							
8	2	129100-55690	RING, RETAINING	1							
9	2	129100-55700	SPRING	1							
10	2	104200-55750	SCREW, M4	1							
11	2	24311-000160	O-RING, 1AP16.0	1							
12	2	24311-240100	O-RING, 1AP10A	1							
13	2	24321-000650	O-RING, 1AG65.0	1							
14	1	26014-080702	BOLT, M8X 70	1							
15	1	124066-59100	CLIP, HOSE 8	1							
16	1	129150-59580	CAP	1							
17	1	129335-55700	SEPARATOR ASSY,WATER	1							
18	2	104200-55321	VALVE, TAPER	1							
19	2	104200-55330	SPRING, VALVE	1							
20	2	104200-55341	HANDLE	1							
21	2	124064-55510	COVER	1							
22	2	102103-55520	O-RING	1							
23	2	110250-55610	RING, RETAINING	1							
24	2	121257-55720	SPRING	1							
25	2	121257-55731	FLOAT	1							
27	2	101720-55750	PLUG, 6	2							
28	2	104200-55750	SCREW, M4	1							
29	2	171081-55910	SCREEN	1							
30	2	23418-060000	GASKET, 6X1.0	2							
31	2	24311-240100	O-RING, 1AP10A	1							
32	1	103854-39140	BOLT, PIPE JOINT	1							
33	1	101304-59020	JOINT, PIPE 12	1							
34	1	124766-59050	CLIP, HOSE 12	4							
35	1	22190-120002	WASHER, SEAL 12	2							
36	1	129555-59510	PIPE, D13/7.5X180	1							
37	1	105025-59530	PIPE, FUEL D13X400	1							

Fig.15. STARTING MOTOR

Y0005970  
4TNE88-YBB



(A)=4TNE88-YBB

(B)=

(C)=

(D)=

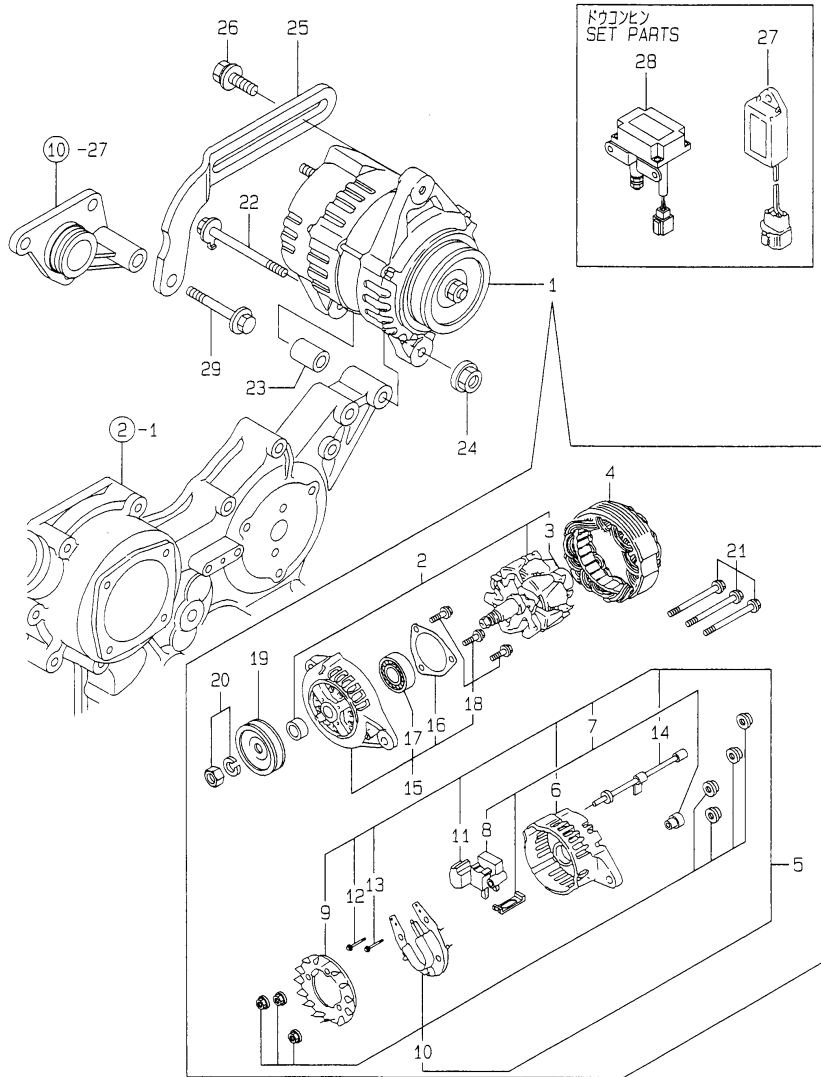
(E)=

(F)=

No.	Lev.	Parts No.	Description	Q'ty						I	R
				(A)	(B)	(C)	(D)	(E)	(F)		
1	1	129429-77010	STARTER ASSY	1							
2	2	X0280630011	RETAINER	1							
3	2	X0281003760	YORK	1							
4	2	X0282002140	ARMATURE	1							
5	3	X9491002160	BEARING	1							
6	2	X0283002081	CLUTCH ASSY	1							
7	3	X0280210230	NUT	1							
8	3	X0283270140	RETAINER	1							
9	3	X0283711770	PINION	1							
10	3	X0283810040	SHAFT	1							
11	3	X9490721080	RING	1							
12	3	X9491703371	SPRING, COIL	1							
13	3	X9491704260	SPRING	1							
14	2	X0283060061	ROLLER	5							
15	2	X0283711410	PINION	1							
16	2	X0283711420	PINION	1							
17	2	X0285100640	HOLDER	1							
18	2	X0534009490	SWITCH ASSY,MAGNET	1							
19	2	X1284017300	HOUSING	1							
20	2	X9019008651	NUT	1							
21	2	X9025808001	WASHER	1							
22	2	X9080110060	O-RING	2							
23	2	X9490064720	SCREW	2							
24	2	X9490422860	THROUGH BOLT	2							
25	2	X9490561370	NUT	1							
26	2	X9491200240	BALL	1							
27	2	X9491403680	O-RING	1							
28	2	X9491703380	SPRING	1							
29	1	26116-120252	BOLT, M12X 25 PLATED	2							

Fig.16. GENERATOR

Y00D5970  
4TNE88-YBB



(A)=4TNE88-YBB

(B)=

(C)=

(D)=

(E)=

(F)=

No.	Lev.	Parts No.	Description	Qty						I	R
				(A)	(B)	(C)	(D)	(E)	(F)		
1	1	119836-77200	GENERATOR	1							
2	2	119836-77700	ROTOR ASSY	1							
3	3	119836-77850	BALL BEARING	1							
4	2	119836-77710	STATOR ASSY	1							
5	2	119836-77721	COVER ASSY, REAR	1							
6	3	119836-77730	COVER, REAR	1							
7	3	119836-77741	BRUSH ASSY,REGULATOR	1							
8	4	119836-77750	BRUSH ASSY	1							
9	3	119836-77760	GUIDE, FAN SIDE	1							
10	3	119836-77770	DIODE ASSY	1							
11	3	119836-77780	CONDENSER	1							
12	3	119836-77871	BOLT (1)	1							
13	3	119836-77880	BOLT (2)	1							
14	3	119836-77890	WIRE ASSY, LEAD	1							
15	2	119836-77790	COVER ASSY, FRONT	1							
16	3	119836-77800	RETAINER, BEARING	1							
17	3	119836-77840	BALL BEARING	1							
18	3	119836-77860	SCREW KID	1							
19	2	119836-77810	PULLEY	1							
20	2	119836-77820	NUT ASSY, PULLEY	1							
21	2	119836-77830	BOLT, THROUGH	1							
22	1	129136-77250	BOLT M 8X105	1							
23	1	119820-77340	PIECE, DISTANCE	1							
24	1	26366-080002	NUT, M8	1							
25	1	129100-77320	ADJUSTER	1							
26	1	26014-080252	BOLT, M8X 25	1							
27	1	129211-77920	TIMER	1							
28	1	129136-77101	RELAY, SAFETY	1							
29	1	26106-080502	BOLT, M8X 50 PLATED	1							

Fig.17. GASKET SET

(A)=4TNE88-YBB

(B)=

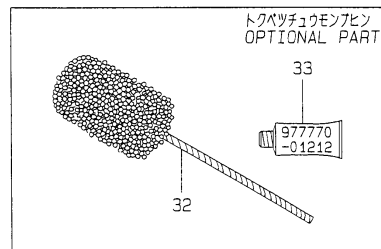
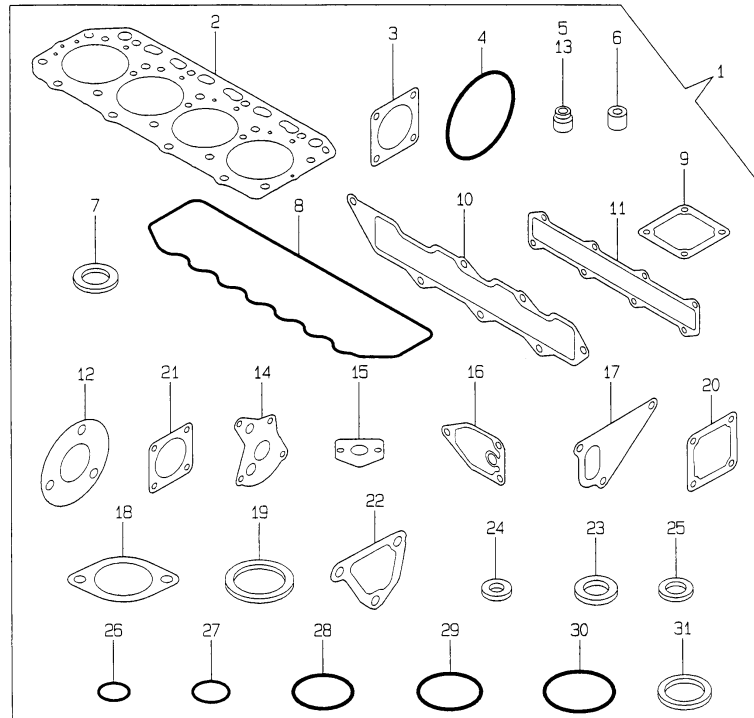
(C)=

(D)=

(E)=

(F)=

Y00D5970  
4TNE88-YBB



No.	Lev.	Parts No.	Description	Q'ty						I	R
				(A)	(B)	(C)	(D)	(E)	(F)		
1	1	729407-92640	GASKET SET	1							1
2	2	129407-01340	GASKET, HEAD	1							
3	2	124240-01883	GASKET	1							
4	2	121850-51960	O-RING	1							
5	2	124460-11340	SEAL, VALVE STEM	4							
6	2	119625-11871	PROTECTOR, NOZZLE	4							
7	2	119625-11880	SEAT, NOZZLE	4							
8	2	129550-11310	GASKET, BONNET	1							
9	2	129150-77511	GASKET	1							
10	2	129407-12110	GASKET, MANIFOLD	1							
11	2	129407-13110	GASKET	1							
12	2	103954-13201	GASKET, SILENCER	1							
13	2	121400-11340	SEAL, VALVE STEM	4							
14	2	129150-32020	GASKET, PUMP	1							
15	2	129150-35041	GASKET	1							
16	2	129150-35111	GASKET	1							
17	2	129100-42020	GASKET, WATER PUMP	1							
18	2	129795-49551	GASKET	1							
19	2	129150-49811	GASKET, THERMOSTAT	1							
20	2	129100-77510	GASKET	1							
21	2	124701-11911	GASKET, SILENCER	2							
22	2	129100-49840	GASKET	1							
23	2	129155-52050	GASKET	1							
24	2	22190-080002	WASHER, SEAL 6	6							
25	2	23414-100000	GASKET, 10X1.0	2							
26	2	24311-000120	O-RING, 1AP12.0	3							
27	2	24311-000160	O-RING, 1AP16.0	3							
28	2	24311-000320	O-RING, 1AP32.0	3							
29	2	24341-000240	O-RING, 1AS24.0	1							
30	2	24341-000500	O-RING, 1AS50.0	1							
31	2	22190-220002	WASHER, SEAL 22	1							
32	1	129400-92420	HONE	1							1
33	1	977770-01212	GASKET, LIQUID	1							1

Remarks

(1) OPTIONAL PART.

N:Old  $\xrightarrow{\text{Yes}}$  New, Q:Old  $\xrightarrow{\text{No}}$  New, R:Old  $\xrightarrow{\text{Yes}}$  New, S:Old  $\xrightarrow{\text{No}}$  New, W:Add, Z:Discontinued, F:Interchangeable by set, K:Q'ty Change

## Parts No. Index

Parts No.	Fig. No.	Ref. No.
101304-59020	14	33
101720-55750	14	27
102103-55520	14	22
103854-39140	14	32
103954-13201	6	7
	17	12
104200-55321	14	2
		18
104200-55330	14	3
		19
104200-55341	14	20
104200-55750	14	10
		28
105025-59530	13	56
	14	37
110250-55610	14	23
114250-53080	13	5
114250-53120	13	9
114250-53130	13	10
114250-53140	13	11
114250-53210	13	12
114250-53400	13	13
119140-12680	5	18
119259-44570	10	44
119285-77951	12	81
119305-59120	13	20
119600-66840	12	72
119620-01750	3	3
119625-11871	4	29
	17	6
119625-11880	4	28
	17	7
119625-11900	4	27
119640-01640	3	7
119660-61901	12	60
119808-12520	5	14
119808-12540	5	16
119820-77340	16	23
119836-77200	16	1
119836-77700	16	2
119836-77710	16	4
119836-77721	16	5
119836-77730	16	6
119836-77741	16	7
119836-77750	16	8
119836-77760	16	9
119836-77770	16	10
119836-77780	16	11
119836-77790	16	15
119836-77800	16	16

Parts No.	Fig. No.	Ref. No.
119836-77810	16	19
119836-77820	16	20
119836-77830	16	21
119836-77840	16	17
119836-77850	16	3
119836-77860	16	18
119836-77871	16	12
119836-77880	16	13
119836-77890	16	14
119840-59560	13	43
119840-59570	13	44
119865-21600	8	16
119866-12530	5	15
120130-11860	4	11
121023-01550	2	25
121111-21501	8	12
121250-44901	10	39
121250-59550	13	42
121256-44600	10	37
121257-55720	14	24
121257-55731	14	25
121400-11340	4	22
	17	13
121450-01560	2	6
121450-44531	10	32
121470-44581	10	34
121520-34810	9	39
121550-23200	8	30
121850-11860	10	1
121850-21680	8	11
121850-51960	2	12
	17	4
122117-51560	11	50
122710-51090	11	10
124064-55510	14	21
124066-59100	13	41
	14	15
124160-01751	2	7
	4	46
124160-01910	1	5
		6
124160-11360	4	56
124160-39140	9	30
124160-39450	9	29
124240-01871	2	8
124240-01883	2	9
	17	3
124250-49351	10	41
124450-44550	10	36
124450-44560	10	33

Parts No.	Fig. No.	Ref. No.
124460-11340	4	23
	17	5
124465-44950	10	40
124550-51350	11	32
124550-51370	11	33
124550-59820	9	35
124550-66370	12	62
124701-11911	6	11
	17	21
124736-07900	4	5
124766-59050	13	55
	14	34
124950-51190	11	17
129001-02800	1	16
129001-22081	8	17
129001-22500	8	19
129001-22901	8	33
129001-22950	8	35
129001-35300	9	25
129001-42002	10	2
129001-42040	10	27
129052-61050	12	6
129052-61060	12	7
129052-61070	12	8
129052-61390	12	33
129052-61500	12	34
129052-61540	12	49
129100-01580	3	1
		15
	8	2
129100-01640	3	16
129100-11100	4	17
129100-11110	4	18
129100-11650	4	37
129100-23910	8	29
129100-25061	7	9
129100-42020	10	14
	17	17
129100-49840	10	25
	17	22
129100-52100	11	95
129100-55621	14	1
129100-55650	14	4
129100-55670	14	6
129100-55680	14	7
129100-55690	14	8
129100-55700	14	9
129100-59951	13	46
129100-61400	12	19
129100-61440	12	78

Parts No.	Fig. No.	Ref. No.
129100-61650	12	80
129100-77320	16	25
129100-77500	5	6
129100-77510	5	7
	17	20
129102-53000	13	2
129132-61550	12	83
129136-77101	16	28
129136-77250	16	22
129150-01200	1	30
129150-02020	1	8
129150-02450	7	4
129150-02870	1	32
129150-02930	1	25
129150-02940	1	35
129150-03020	4	47
129150-03070	4	48
129150-03080	4	49
129150-03100	2	11
129150-11230	4	38
129150-11280	4	33
129150-11370	4	24
129150-11750	4	40
129150-11810	4	13
129150-14101	7	7
129150-14200	7	1
129150-14400	7	2
129150-21200	8	5
129150-23600	8	31
129150-23610	8	39
129150-25101	7	10
129150-25900	7	15
129150-25920	7	13
129150-32020	9	14
	17	14
129150-35041	9	16
	17	15
129150-35091	9	17
129150-35101	9	22
129150-35111	9	23
	17	16
129150-35151	9	24
129150-35350	9	26
129150-49080	10	47
129150-49360	10	42
129150-49811	10	24
	17	19
129150-59131	13	23
129150-59580	13	45
	14	16



## Parts No. Index

Parts No.	Fig. No.	Ref. No.
129150-77511	5	8
	17	9
129155-11260	4	31
129155-11270	4	32
129155-42350	10	17
129155-49800	10	23
129155-51020	11	5
129155-51050	11	8
129155-51060	11	9
129155-51140	11	14
129155-51180	11	16
129155-51200	11	18
129155-51270	11	25
129155-51280	11	26
	12	3
129155-51320	11	30
129155-51340	11	31
129155-51370	11	34
129155-51380	11	35
129155-51390	11	36
129155-51410	11	38
129155-51420	11	39
129155-51450	11	40
129155-51521	11	46
129155-51530	11	47
129155-51540	11	48
129155-51550	11	49
129155-51570	11	52
129155-51580	11	53
129155-51591	11	54
129155-51600	11	55
129155-51790	11	78
129155-51930	11	80
129155-51940	11	81
129155-52050	11	94
	17	23
129155-61120	12	9
129155-61130	12	10
129155-61140	12	11
129155-61201	12	12
129155-61341	12	16
129155-61350	12	17
129155-61360	12	18
129155-61430	12	22
129155-61450	12	26
129155-61460	12	27
129155-61470	12	79
129155-61480	12	28
129155-61540	12	50
129155-61830	12	59

Parts No.	Fig. No.	Ref. No.
129155-61950	12	61
129156-51910	11	79
129202-22300	8	23
129211-77920	16	27
129259-12570	5	17
129335-55700	14	17
129350-49560	10	21
129400-01520	2	5
129400-01730	3	10
129400-11350	4	45
129400-92420	17	32
129407-01340	1	31
	17	2
129407-11700	4	7
129407-12110	5	1
	17	10
129407-12120	5	2
129407-13100	6	1
129407-13110	6	2
	17	11
129407-21000	8	1
129407-32000	9	1
129407-59910	13	37
129407-59920	13	33
129407-59930	13	29
129407-59940	13	25
129429-77010	15	1
129450-51300	11	27
129470-51040	11	6
129470-51101	11	11
129486-01670	3	19
129489-61700	12	107
129500-11240	4	30
129550-11290	4	34
129550-11310	4	52
	17	8
129550-21650	8	9
129550-39450	9	31
129550-49100	10	45
129555-51400	11	37
129555-51500	11	45
129555-51700	11	74
129555-51710	11	75
129555-51750	11	76
129555-51760	11	77
129555-59510	14	36
129612-12510	5	12
129612-13520	6	8
129612-21581	8	13
129612-44510	10	43

Parts No.	Fig. No.	Ref. No.
129612-59831	13	29 -1
129795-01780	3	18
129795-01800	2	4
129795-01950	2	10
129795-02411	1	28
129795-11120	4	19
129795-11180	4	20
129795-21661	8	10
129795-49551	10	22
	17	18
158552-61900	12	70 -1
171031-11741	2	29
171051-01921	1	7
171056-49120	10	38
171064-44510	10	30
171081-55910	14	29
171091-13670	6	9
171091-13680	6	10
171301-01600	3	2
171340-77520	5	9
171350-03090	4	1
171353-44760	10	19
171420-34800	9	38
171440-44740	10	18
174307-51170	11	15
174307-51560	11	51
174307-51700	12	35
194990-22050	6	3
22117-040000	12	63
22190-060002	12	64
22190-080002	2	23
		24
	9	36
	17	24
22190-100002	12	65
22190-120002	12	66
	14	35
	3	9
	17	31
22217-050000	11	83
22217-060000	11	84
22217-120000	7	16
22252-000260	8	24
22272-000040	12	55
22287-120000	12	67
22351-040010	8	8
22351-050010	11	85
22351-060012	4	25
22372-040000	12	68

Parts No.	Fig. No.	Ref. No.
22512-070140	7	8
	8	6
23065-070225	10	35
23414-100000	9	37
	17	25
23414-120000	13	54
23418-060000	14	30
23871-010000	1	11
23871-030000	1	15
	10	12
23887-100002	12	69
24101-063034	11	86
24311-000120	4	57
	17	26
24311-000160	2	13
	9	27
	14	11
	17	27
24311-000320	2	14
		30
	4	53
	17	28
24311-240100	14	12
		31
24321-000300	10	28
24321-000650	14	13
24341-000160	11	87
24341-000240	2	26
	17	29
24341-000280	12	70
24341-000500	4	54
	17	30
25132-003900	10	16
26014-080252	16	26
26014-080702	14	14
26022-050102	11	88
26022-060162	11	89
26106-060102	12	71
		73
26106-060122	2	27
26106-060142	12	74
26106-060202	12	75
26106-060352	10	20
26106-080122	2	15
26106-080142	4	6
26106-080162	1	29
	2	16
		17
	3	12
	4	55

## Parts No. Index

Parts No.	Fig. No.	Ref. No.
26106-080162	10	29
26106-080202	2	18
	5	4
	9	28
	10	26
26106-080252	3	13
	4	43
26106-080352	3	20
	9	21
26106-080402	5	10
	6	4
26106-080452	2	19
	3	14
		14 -1
	7	14
26106-080502	3	22
	4	44
	5	5
	16	29
26106-080552	2	20
26106-080602	10	15
26106-080802	5	11
26106-080852	2	21
26116-050302	11	90
26116-120252	15	29
26206-100252	3	4
26206-100302	3	5
26216-060202	4	15
26216-080222	6	5
26216-080402	6	6
26226-080182	4	41
26366-060002	4	26
26366-080002	2	22
	12	82
	16	24
26450-060252	9	15
26687-120002	12	108
26716-060002	11	91
26716-120002	7	17
26756-060002	12	76
26756-080002	4	42
26776-120002	12	77
27231-500000	1	12
27241-120000	1	13
27241-300000	1	14
27241-400000	4	16
27310-080001	4	21
719810-01500	2	1
729102-53100	13	1
729169-51380	11	1

Parts No.	Fig. No.	Ref. No.
729402-01540	3	6
729402-14580	7	3
729402-23100	8	25
729407-01561	1	1
729407-92640	17	1
729619-51380	11	1 -1
	12	1
977770-01212	2	28
	3	21
	17	33
X0280210230	15	7
X0280630011	15	2
X0281003760	15	3
X0282002140	15	4
X0283002081	15	6
X0283060061	15	14
X0283270140	15	8
X0283711410	15	15
X0283711420	15	16
X0283711770	15	9
X0283810040	15	10
X0285100640	15	17
X0534009490	15	18
X1284017300	15	19
X9019008651	15	20
X9025808001	15	21
X9080110060	15	22
X9490064720	15	23
X9490422860	15	24
X9490561370	15	25
X9490721080	15	11
X9491002160	15	5
X9491200240	15	26
X9491403680	15	27
X9491703371	15	12
X9491703380	15	28
X9491704260	15	13

Parts No.	Fig. No.	Ref. No.
-----------	----------	----------

Parts No.	Fig. No.	Ref. No.
-----------	----------	----------