

OCD10-M59300EN

PREFACE

1. This Parts Catalog is the 1st edition of 3TNE68-USW1 Diesel Engine for SHIN DAIWA.

Pub. No. : 000Y00D5930
Published : November, 1996

2. Model name

Engine model	Vehicle		Vehicle made by
	Products	Model name	
3TNE68-USW1	WELDER	—	SHIN DAIWA

Directions for the Parts Catalog.

1. This Parts Catalog shows both standard and optional parts.
2. Parts may change without prior notice.
3. The following is an example of the Parts Catalog format.

REF.	LEV.	PARTS NO.	DESCRIPTION	Q'TY						I	R
				(A)	(B)	(C)	(D)	(E)	(F)		
1	1	729595-51390	FUEL INJECTION PUMP	1	1	1	1	1			1
1-1	1	729595-51391	FUEL INJECTION PUMP	1	1	1	1	1		N	1
		(A=E00185) (B=E00200)									
3	2	26022-060162	SCREW M 6X 16	9	9	9	9	9			
3-1	2	26022-060162	SCREW M 6X 16	4	4	4	4	4		K	
		(A=E00156) (B=E00156) (C=E00156) (D=E00156) (E=E00156)									
4	2	129470-51040	CAMSHAFT	1	1	1	1	1			
5	2	122710-51050	BEARING, ROLLER	2	2	2	2	2			
6	2	129470-51060	RETAINER	1	1	1	1	1			

Remarks
(1) BOOST COMPEMSATOR TYPE. OPTIONAL PART, TO E00155,(4JH-DT, 4JH-DTZ

① Ref. No.

The Ref. No. listed may not be in accordance with the illustration Ref. No.

(Ex.) Illustration No.

List Ref No.

1

1

(Before change)

1-1

(After change)

For interchangeable symbols N, R and K, illustrations for new parts may be abbreviated.

② Lev. (Level)

Level indication

The numbers below indicate the level of relativity towards the main part.

1 ----- Main parts (Assembly parts)

2 ----- Sub component included in " 1 ".

3 ----- Sub component included in " 2 ".

Note) Parts that are not for sale are partially illustrated but not listed.

③ Interchangeability Symbol

When a part change takes place, one of the following interchangeability symbols is indicated beside the part.

Symbol	Interchangeability	Contents note
N	Old $\begin{matrix} \leftarrow \text{Yes} \\ \text{No} \rightarrow \end{matrix}$ New	New Part is interchangeable for Old Part but Old Part is not interchangeable for New Part.
Q	Old $\begin{matrix} \leftarrow \text{No} \\ \text{Yes} \rightarrow \end{matrix}$ New	New Part is not interchangeable for Old Part but Old Part is interchangeable for New Part.
R	Old $\begin{matrix} \leftarrow \text{Yes} \\ \text{Yes} \rightarrow \end{matrix}$ New	New/ Old Parts are both interchangeable.
S	Old $\begin{matrix} \leftarrow \text{No} \\ \text{No} \rightarrow \end{matrix}$ New	New/ Old Parts are both not interchangeable.
W		Part newly added.
Z		Part discontinued.
F		Not interchangeable by a single part but interchangeable together with related parts.
K		Changes only for used parts quantities.

④ Effective Machine No.

When a part changes, the effective Machine No. will be indicated in the (A)-(F) column.

Product Symbol	Product No.	Product Symbol	Product No.
C	Clutch No. Compressor No.	F	Machine No. (Agricultural Equip.)
D	Drive No.	M	Machine No.
E	Engine No.		

Note 1) A date may follow the symbol. (Ex.) 1996.01

Note 2) "XXXXX" and "ZZZZZ" are for parts that could not be predicted or for engine models that could not be identified.

Note 3) (A=E00185) is the E (Engine Serial Number) for the column (A) model (in this case 4JH-DT) after the parts design change.

⑤ Remarks

Figures or alphabets (symbols) are entered in the remarks column.

The comments (remarks) on parts that are indicated at the bottom of the illustration are the same symbols as those stated above.

Contents

Fig. No. Fig. Name

3TNE68-USW1

1. CYLINDER BLOCK
2. GEAR HOUSING
3. MOUNTING FLANGE & OIL SUMP
4. CYLINDER HEAD & BONNET
5. SUCTION MANIFOLD & AIR CLEANER
6. EXHAUST MANIFOLD
7. CAMSHAFT & DRIVING GEAR
8. CRANKSHAFT & PISTON
9. LUB.OIL SYSTEM
10. COOLING WATER SYSTEM
11. FUEL INJECTION PUMP
12. GOVERNOR
13. FUEL INJECTION VALVE
14. FUEL LINE
15. STARTING MOTOR
16. GENERATOR
17. ELECTRIC PARTS
18. GASKET SET

Fig. No. Fig. Name

Fig.1. CYLINDER BLOCK

(A)=3TNE68-USW1

(B)=

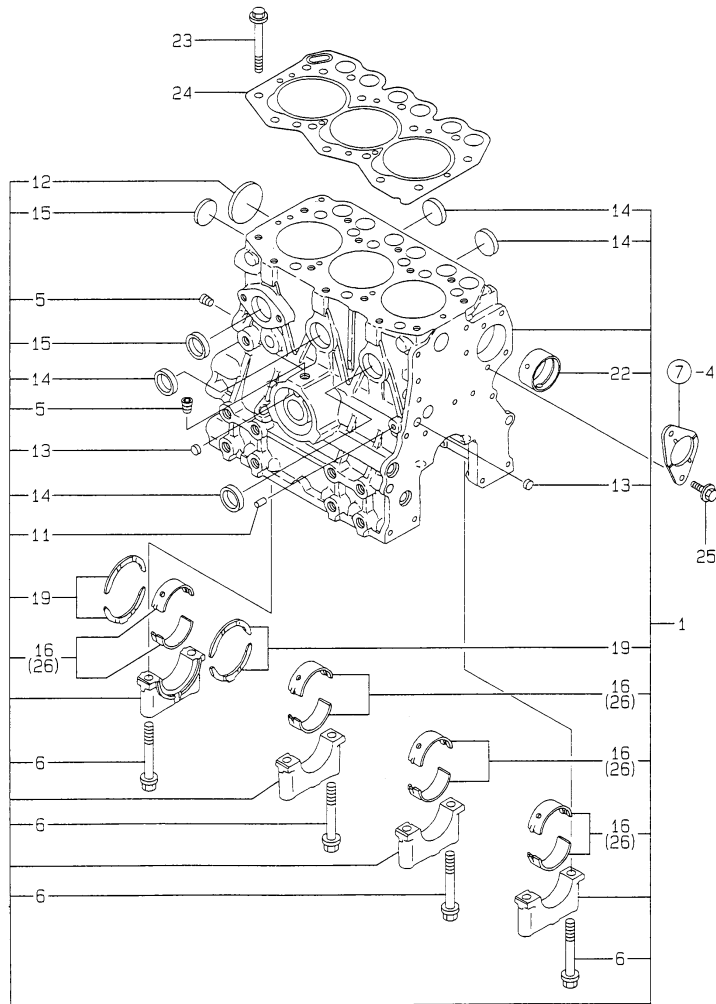
(C)=

(D)=

(E)=

(F)=

Y00D5930
3TNE68-USW1



No.	Lev.	Parts No.	Description	Q'ty						I	R
				(A)	(B)	(C)	(D)	(E)	(F)		
1	1	719265-01560	BLOCK ASSY, CYLINDER	1							
5	2	124060-01050	PLUG, PT1/8	2							
6	2	119260-02020	BOLT, METAL CAP	8							
11	2	27221-060100	PLUG, 6X10	1							
12	2	27231-400000	PLUG 40	1							
13	2	27241-100000	PLUG, 10	2							
14	2	27241-250000	PLUG, 25	4							
15	2	27241-300000	PLUG 30	2							
16	2	719260-02800	BEARING, MAIN	4							
19	2	719260-02930	BEARING, THRUST	2							
22	2	119260-02410	BUSH, CAMSHAFT	1							
23	1	119260-01200	BOLT, HEAD	14							
24	1	119265-01341	GASKET, HEAD	1							
25	1	26106-060122	BOLT, M6X 12 PLATED	2							
26	1	719260-02870	BEARING, 0.25 US	4							1

Remarks

(1) UNDER-SIZE(U.S=0.25)PART.

Fig.2. GEAR HOUSING

(A)=3TNE68-USW1

(B)=

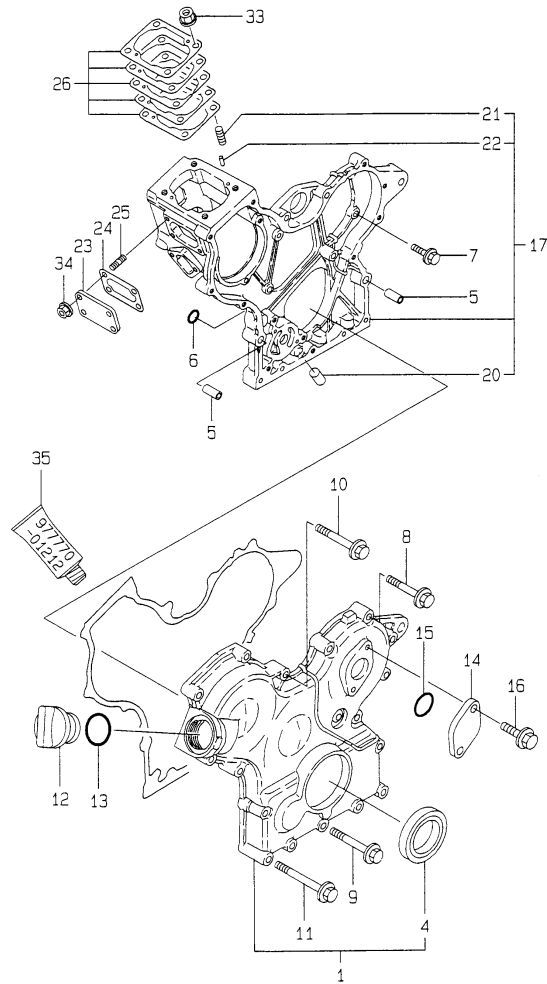
(C)=

(D)=

(E)=

(F)=

Y00D5930
3TNE68-USW1

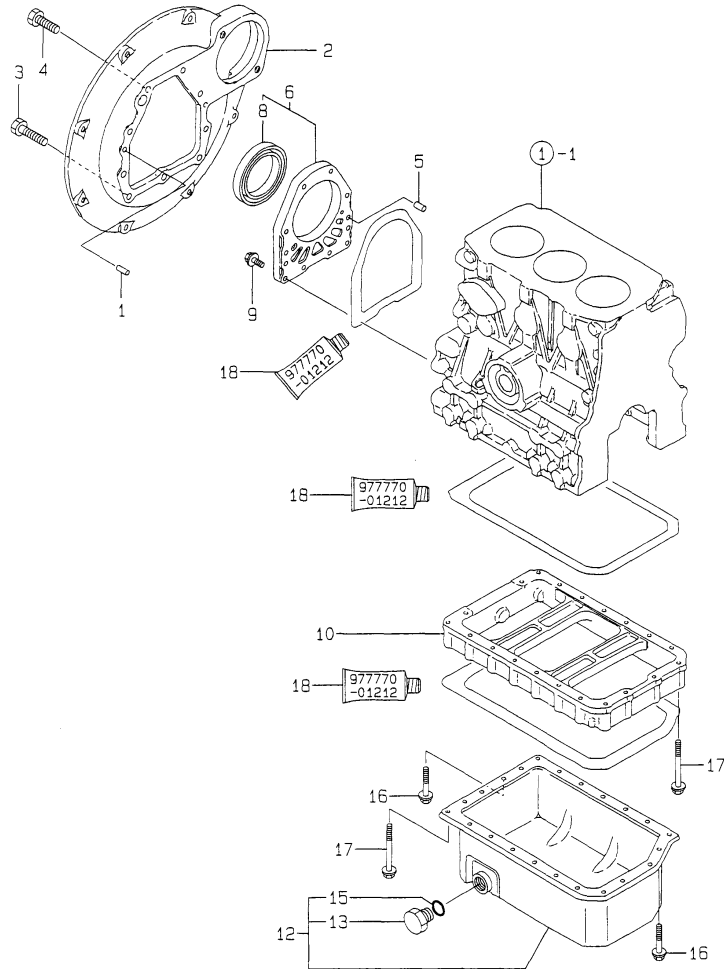


No.	Lev.	Parts No.	Description	Q'ty						I	R
				(A)	(B)	(C)	(D)	(E)	(F)		
1	1	119260-01590	COVER ASSY,GEAR CASE	1							
4	2	119620-01800	SEAL, OIL	1							
5	1	119660-01911	PIPE, KNOCK	4							
6	1	24311-000120	O-RING, 1AP12.0	2							
7	1	26106-060162	BOLT, M6X 16 PLATED	5							
8	1	26106-060302	BOLT, M6X 30 PLATED	5							
9	1	26106-060402	BOLT, M6X 40 PLATED	3							
10	1	26106-060502	BOLT, M6X 50 PLATED	4							
11	1	26106-060652	BOLT, M6X 65 PLATED	6							
12	1	124160-01751	COVER, FILLER	1							
13	1	24311-000320	O-RING, 1AP32.0	1							
14	1	121023-01550	COVER	1							
15	1	24341-000240	O-RING, 1AS24.0	1							
16	1	26106-060182	BOLT, M6X 18 PLATED	2							
17	1	119260-01490	CASE ASSY, GEAR	1							
20	2	119260-01510	PLUG	1							
21	2	121450-01560	STUD, M8X22	4							
22	2	22351-040010	PIN, SPRING 4.0X10	2							
23	1	119660-01551	COVER	1							
24	1	119660-01562	GASKET	1							
25	1	119660-01570	STUD, M6X12	4							
26	1	119623-01950	SHIM SET, ADJUSTING	1							
33	1	194990-22050	NUT, M8	4							
34	1	26366-060002	NUT, M6	4							
35	1	977770-01212	GASKET, LIQUID	1							1

Remarks
(1) OPTIONAL PART.

Fig.3. MOUNTING FLANGE & OIL SUMP

Y0005930
3TNE68-USW1



(A)=3TNE68-USW1

(B)=

(C)=

(D)=

(E)=

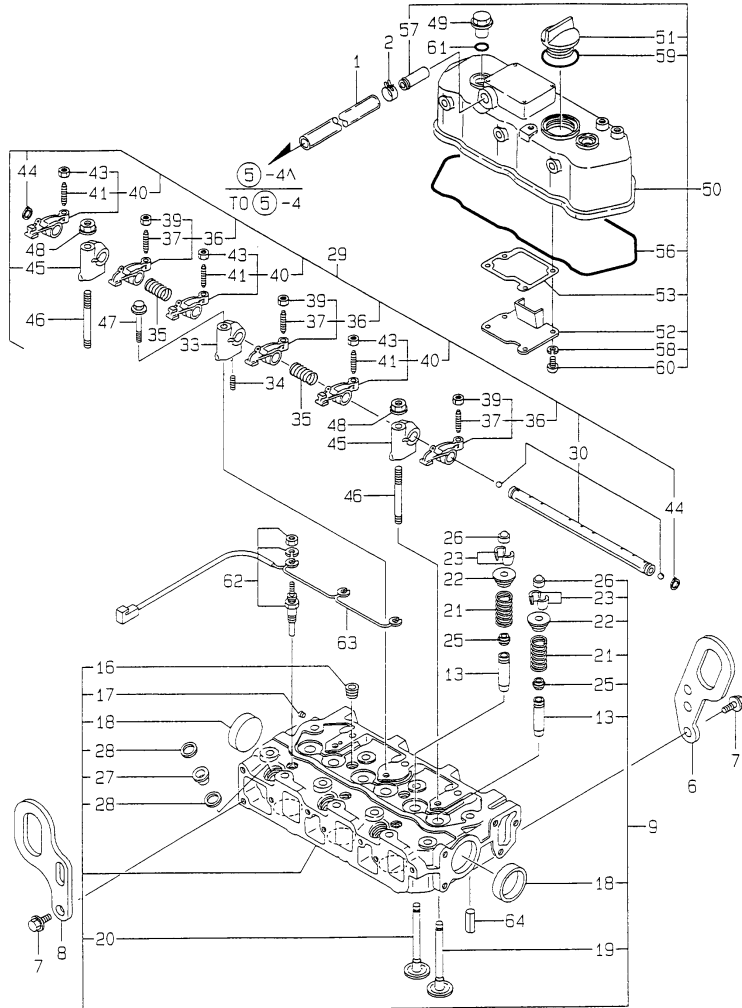
(F)=

No.	Lev.	Parts No.	Description	Q'ty						I	R
				(A)	(B)	(C)	(D)	(E)	(F)		
1	1	129100-01580	PIN, M8X16	2							
2	1	119645-01600	FLANGE, MOUNTING	1							
3	1	121120-01620	BOLT, M10X28	3							
4	1	26206-100252	BOLT, M10X 25 PLATED	6							
5	1	119620-01620	PIN, M6X10	2							
6	1	119660-01640	CASE ASSY, OIL SEAL	1							
8	2	124085-02220	SEAL, OIL	1							
9	1	26106-060222	BOLT, M6X 22 PLATED	10							
10	1	119454-01721	SPACER, OIL SUMP	1							
12	1	119265-01770	SUMP ASSY, OIL	1							
13	2	121400-01640	PLUG, 16	1							
15	2	24311-000180	O-RING, 1AP18.0	1							
16	1	26106-060102	BOLT, M6X 10 PLATED	3							
17	1	26106-060452	BOLT, M6X 45 PLATED	20							
18	1	977770-01212	GASKET, LIQUID	1							1

Remarks
(1) OPTIONAL PART.

Fig.4. CYLINDER HEAD & BONNET

Y00D5930
3TNE68-USW1



(A)=3TNE68-USW1

(B)=

(C)=

(D)=

(E)=

(F)=

No.	Lev.	Parts No.	Description	Q'ty						I	R
				(A)	(B)	(C)	(D)	(E)	(F)		
1	1	119285-03140	PIPE , BREATHER	1							
2	1	171008-03990	CLIP, HOSE 18.5	2							
6	1	119260-07900	LIFTER	1							
7	1	26106-080142	BOLT, M8X 14 PLATED	4							
8	1	119285-07900	LIFTER	1							
9	1	119265-11700	HEAD ASSY, CYLINDER	1							
13	2	119260-11800	GUIDE, VALVE	6							1
16	2	23871-030000	PLUG, R03	2							
17	2	27221-050080	PLUG, 5X 8	1							
18	2	27241-350000	PLUG, 35	2							
19	2	119260-11100	VALVE, INTAKE	3							
20	2	119260-11110	VALVE, EXHAUST	3							
21	2	114250-11120	SPRING, VALVE	6							
22	2	114250-11180	RETAINER, SPRING	6							
23	2	714250-11570	COTTER ASSY	6							
25	2	119260-11340	SEAL, VALVE STEM	6							
26	2	119260-11370	CAP, VALVE	6							
27	2	119600-11450	PROTECTOR, NOZZLE	3							
28	2	119600-11460	GASKET, NOZZLE	6							
29	1	119260-11200	SUPPORT ASSY, ARM	1							
30	2	119260-11240	SHAFT ASSY, ROCKER	1							
33	2	119260-11260	SUPPORT, ROCKER ARM	1							
34	2	119260-11270	SCREW	1							
35	2	119260-11280	SPRING	2							
36	2	719260-11650	ARM ASSY, ROCKER	3							
37	3	105010-11230	SCREW, VALVE ADJUST	3							
39	3	26756-060002	NUT, LOCK M6	3							
40	2	719260-11660	ARM ASSY, ROCKER	3							
41	3	105010-11230	SCREW, VALVE ADJUST	3							
43	3	26756-060002	NUT, LOCK M6	3							
44	2	22242-000100	RING, 10	2							
45	2	119265-11260	SUPPORT, ROCKER ARM	2							
46	1	119620-11350	STUD	2							
47	1	26106-080452	BOLT, M8X 45 PLATED	1							
48	1	26366-080002	NUT, M8	2							
49	1	124160-11360	KNOB	2							
50	1	719260-11520	BONNET ASSY, HEAD	1							
51	2	124160-01751	COVER, FILLER	1							
52	2	119260-03020	PLATE, SHELTER	1							
53	2	119260-03031	GASKET	1							
56	2	119260-11310	GASKET, BONNET	1							
57	2	119620-11390	JOINT	1							
58	2	22217-050000	WASHER, SPRING 5	4							
59	2	24311-000320	O-RING, 1AP32.0	1							
60	2	26557-050102	SCREW, M5X10	4							
61	1	24311-000120	O-RING, 1AP12.0	2							
62	1	129795-77800	PLUG, GLOW	3							
63	1	119645-77820	CONNECTOR, GLOW PLUG	1							
64	1	22351-060012	PIN, SPRING 6.0X12	2							

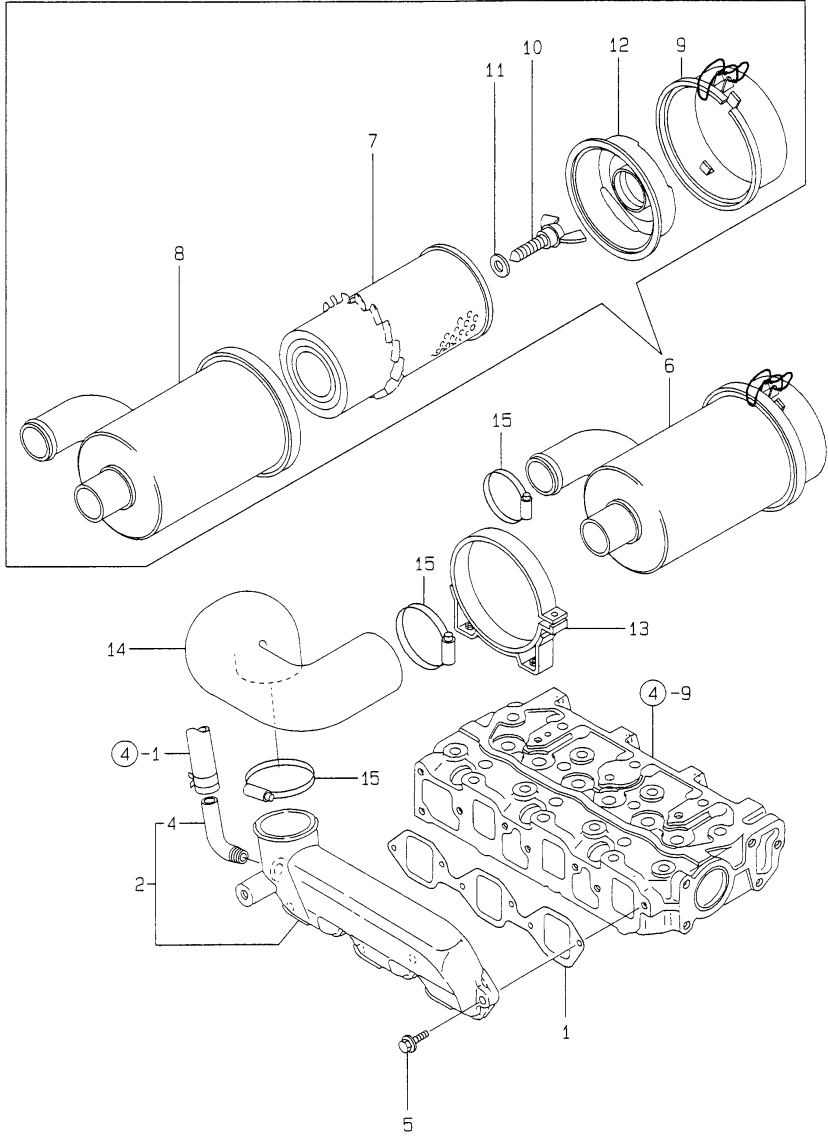
Remarks

(1) REPAIR PART.

N:Old $\xrightarrow{\text{Yes}}$ New, Q:Old $\xrightarrow{\text{No}}$ New, R:Old $\xrightarrow{\text{Yes}}$ New, S:Old $\xrightarrow{\text{No}}$ New, W:Add, Z:Discontinued, F:Interchangeable by set, K:Q'ty Change

Fig.5. SUCTION MANIFOLD & AIR CLEANER

Y0005930
3TNE68-USW1



(A)=3TNE68-USW1
(B)=
(C)=

(D)=
(E)=
(F)=

No.	Lev.	Parts No.	Description	Q'ty						I	R
				(A)	(B)	(C)	(D)	(E)	(F)		
1	1	119260-12111	GASKET, MANIFOLD	1							
2	1	119260-12150	MANIFOLD ASSY,INTAKE	1							
4	2	121500-12790	JOINT, PIPE PT1/4	1							
5	1	26106-060202	BOLT, M6X 20 PLATED	4							
6	1	121465-12500	CLEANER ASSY, AIR	1							
7	2	121465-12510	ELEMENT	1							
8	2	121465-12650	CASE ASSY	1							
9	2	121465-12660	PAN, DUST	1							
10	2	124064-12680	BOLT	1							
11	2	124064-12690	WASHER	1							
12	2	121465-12700	RETAINER, ELEMENT	1							
13	1	171126-12580	BAND, AIR CLEANER	1							
14	1	119245-12210	PIPE, AIR INTAKE	1							
15	1	23000-060000	CLAMP, 60	3							

Fig.6. EXHAUST MANIFOLD

Y00D5930
3TNE68-USW1

(A)=3TNE68-USW1
(B)=
(C)=

(D)=
(E)=
(F)=

No.	Lev.	Parts No.	Description	Q'ty						I	R
				(A)	(B)	(C)	(D)	(E)	(F)		
1	1	119260-13100	MANIFOLD, EXHAUST	1							
2	1	119260-13110	GASKET	1							
3	1	26106-060352	BOLT, M6X 35 PLATED	4							
4	1	26216-060402	STUD, M6X 40	2							
5	1	26216-080222	STUD, M8X 22	4							
6	1	26366-060002	NUT, M6	2							
7	1	194990-22050	NUT, M8	4							
8	1	121000-13201	GASKET, SILENCER	1							

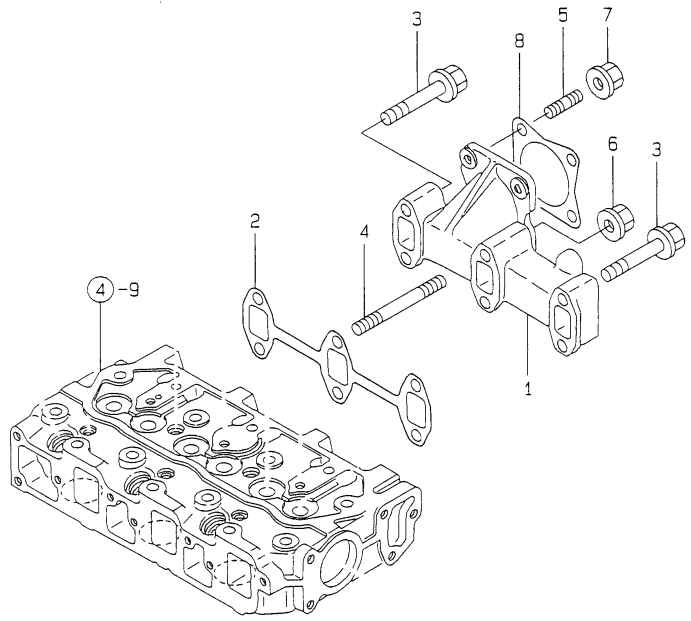


Fig.7. CAMSHAFT & DRIVING GEAR

(A)=3TNE68-USW1

(B)=

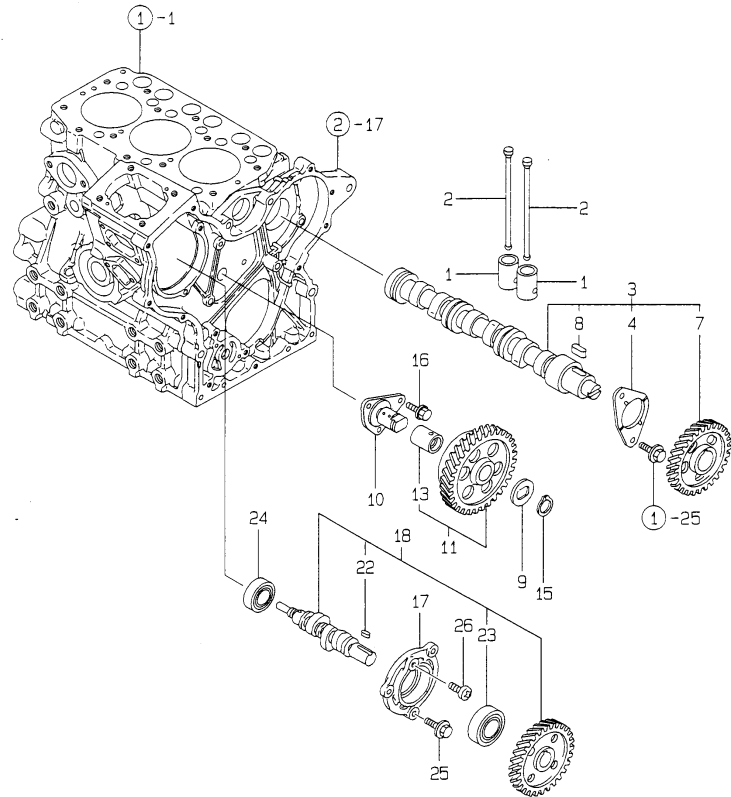
(C)=

(D)=

(E)=

(F)=

Y00D5930
3TNE68-USW1



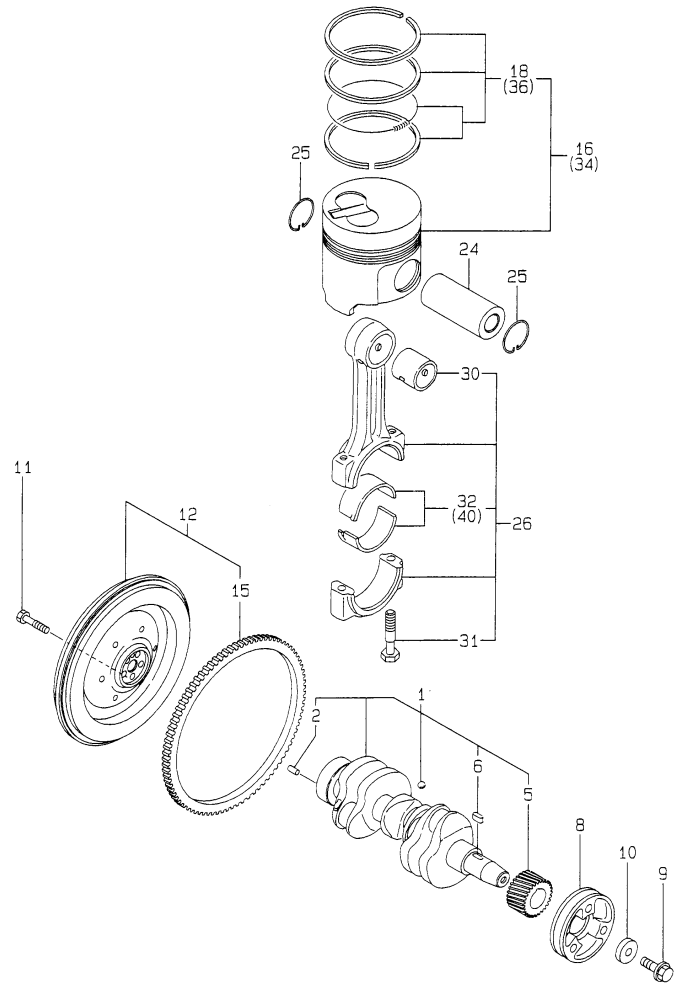
No.	Lev.	Parts No.	Description	Q'ty						I	R
				(A)	(B)	(C)	(D)	(E)	(F)		
1	1	119260-14200	TAPPET	6							
2	1	119260-14400	ROD, PUSH	6							
3	1	119260-14580	CAMSHAFT ASSY	1							
4	2	119620-02450	BEARING, THRUST	1							
7	2	119260-14100	GEAR, CAMSHAFT	1							
8	2	22512-040120	KEY, 4X 12	1							
9	1	119660-25022	RETAINER	1							
10	1	119660-25052	SHAFT, IDLE	1							
11	1	119260-25100	GEAR ASSY, IDLE	1							
13	2	119620-25912	BUSH	1							1
15	1	22242-000200	RING, 20	1							
16	1	26106-060122	BOLT, M6X 12 PLATED	3							
17	1	119660-01821	BEARING, FUEL CAM	1							
18	1	119225-14200	CAM ASSY	1							
22	2	22512-040120	KEY, 4X 12	1							
23	2	24102-063034	BEARING, BALL 6303U	1							
24	1	24101-062034	BEARING, BALL 6203	1							
25	1	26106-060162	BOLT, M6X 16 PLATED	3							
26	1	26587-080102	SCREW, M8X10	1							

Remarks

(1) REPAIR PART.

Fig.8. CRANKSHAFT & PISTON

Y00D5930
3TNE68-USW1



(A)=3TNE68-USW1

(B)=

(C)=

(D)=

(E)=

(F)=

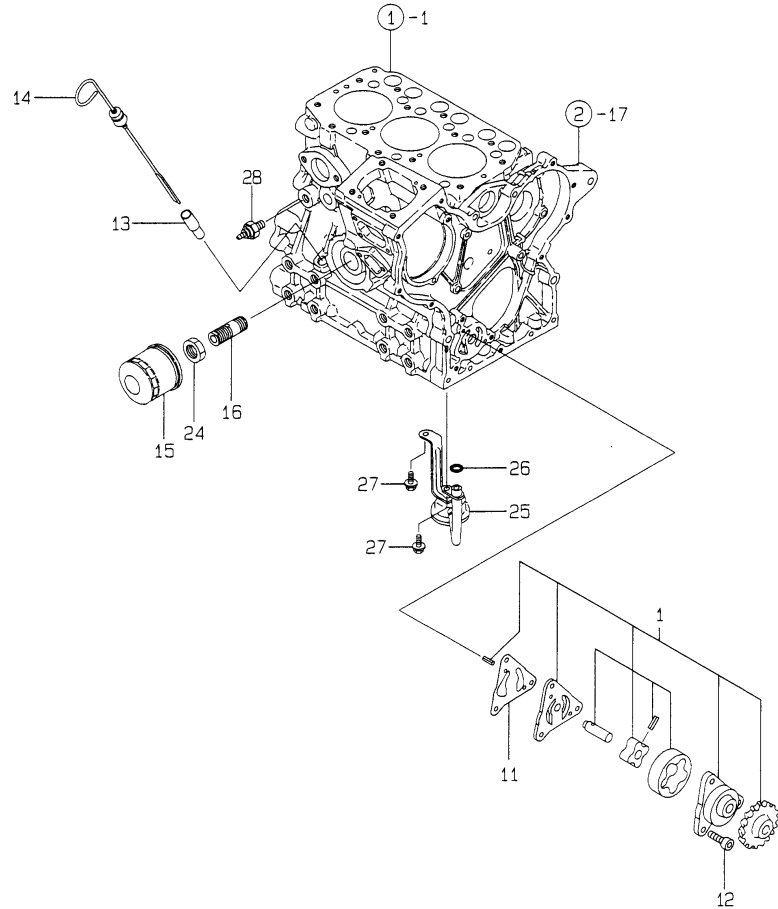
No.	Lev.	Parts No.	Description	Q'ty						I	R
				(A)	(B)	(C)	(D)	(E)	(F)		
1	1	119265-21700	CRANKSHAFT ASSY	1							
2	2	129100-01580	PIN, M8X16	1							
5	2	119260-21200	GEAR, CRANKSHAFT	1							
6	2	22512-040120	KEY, 4X 12	1							
8	1	119244-21650	V-PULLEY	1							
9	1	119621-21680	BOLT, FLANGE 12X1.25	1							
10	1	119620-21941	WASHER	1							
11	1	121111-21501	BOLT, FLYWHEEL	5							
12	1	119645-21590	FLYWHEEL ASSY	1							
15	2	119865-21600	GEAR, RING	1							
16	1	119265-22090	PISTON ASSY	3							
18	2	119265-22500	RING SET, PISTON	3							
24	1	119265-22300	PIN, PISTON	3							
25	1	22252-000200	RING, 20	6							
26	1	119265-23100	ROD ASSY, CONNECTING	3							
30	2	119260-23910	BEARING, PISTON PIN	3							1
31	2	119265-23200	BOLT, CONNECTING ROD	6							
32	2	719260-23600	BEARING, CRANK PIN	3							
34	1	719265-22900	PISTON ASSY, 0.25 OS	3							2
36	2	719265-22950	RING SET, 0.25 OS	3							2
40	1	719260-23610	BEARING ASSY, 0.25	3							3

Remarks

- (1) REPAIR PART.
- (2) OVER-SIZE(O.S=0.25)PART.
- (3) UNDER-SIZE(U.S=0.25)PART.

Fig.9. LUB.OIL SYSTEM

Y00D5930
3TNE68-USW1



(A)=3TNE68-USW1

(B)=

(C)=

(D)=

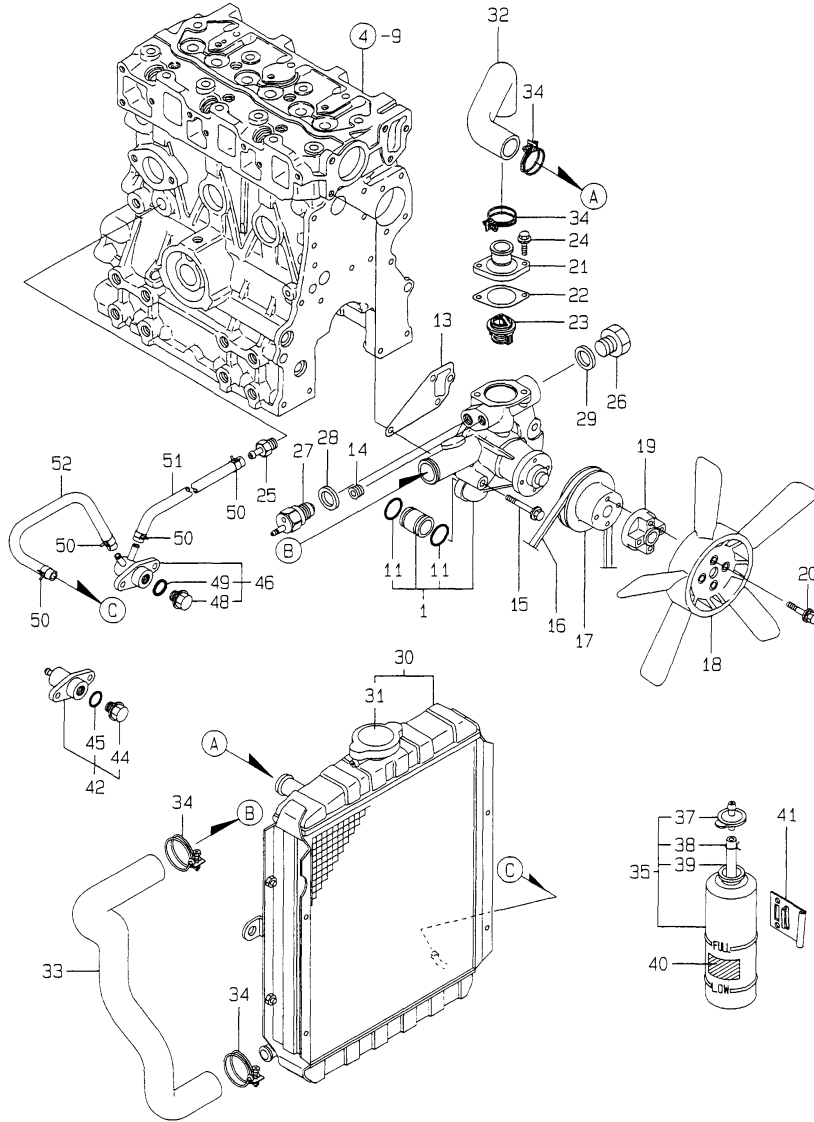
(E)=

(F)=

No.	Lev.	Parts No.	Description	Q'ty						I	R
				(A)	(B)	(C)	(D)	(E)	(F)		
1	1	119260-32000	PUMP ASSY, OIL	1							
11	1	119660-32020	GASKET, PUMP	1							
12	1	26450-060202	BOLT, M6X 20	3							
13	1	121520-34810	GUIDE, DIPSTICK	1							
14	1	119265-34830	DIPSTICK, OIL	1							
15	1	119305-35150	FILTER, OIL	1							
16	1	119225-35300	VALVE ASSY	1							
24	1	129150-35350	NUT	1							
25	1	119265-35080	PIPE, OIL INLET	1							
26	1	24311-000120	O-RING, 1AP12.0	1							
27	1	26106-060122	BOLT, M6X 12 PLATED	2							
28	1	124160-39450	SWITCH, 0.5KG	1							

Fig.10. COOLING WATER SYSTEM

Y00D5930
3TNE68-USW1



(A)=3TNE68-USW1

(B)=

(C)=

(D)=

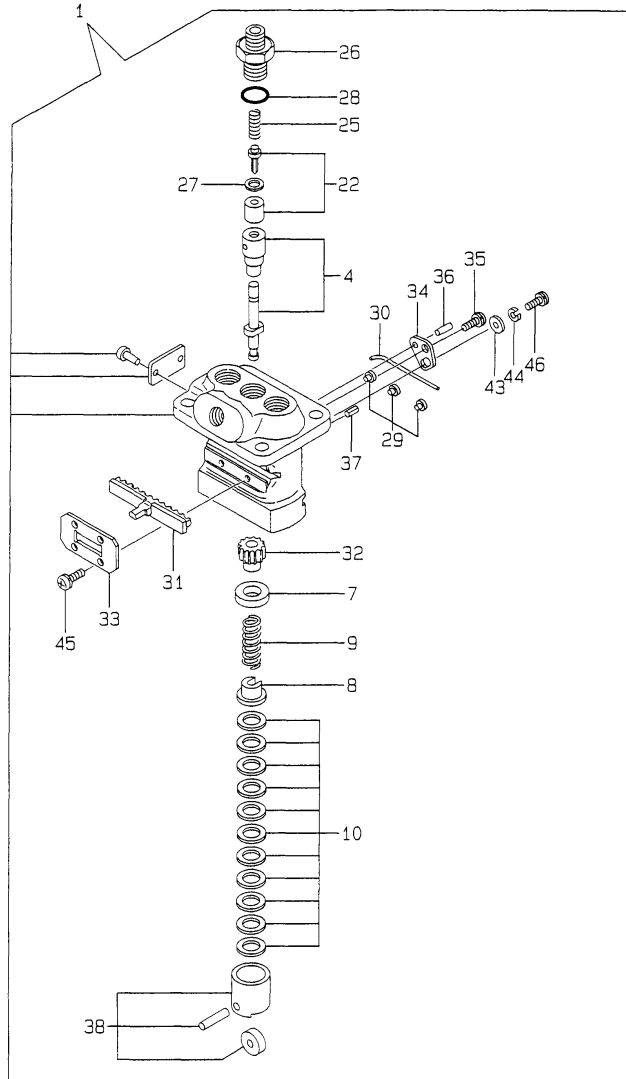
(E)=

(F)=

No.	Lev.	Parts No.	Description	Q'ty						I	R
				(A)	(B)	(C)	(D)	(E)	(F)		
1	1	119265-42002	PUMP ASSY, WATER	1							
11	2	24311-000210	O-RING, 1AP21.0	2							
13	1	119260-42020	GASKET, WATER PUMP	1							
14	1	171056-49120	PLUG, DRAIN	1							
15	1	26106-080452	BOLT, M8X 45 PLATED	3							
16	1	119256-42290	V-BELT, FM33.5	1							
17	1	119620-42350	V-PULLEY	1							
18	1	124700-44740	FAN, COOLING 5X310	1							
19	1	171353-44760	SPACER, FAN	1							
20	1	26106-060352	BOLT, M6X 35 PLATED	4							
21	1	129350-49530	COVER, THERMOSTAT	1							
22	1	129350-49541	GASKET	1							
23	1	129350-49800	THERMOSTAT, 71	1							
24	1	26106-080202	BOLT, M8X 20 PLATED	2							
25	1	121550-49111	JOINT, PT1/4	1							
26	1	121450-42450	PLUG, M16	1							
27	1	121250-44901	SWITCH, 110	1							
28	1	124465-44950	GASKET, 16	1							
29	1	124465-44950	GASKET, 16	1							
30	1	171002-44502	RADIATOR	1							
31	2	123682-44210	CAP, RADIATOR	1							
32	1	119645-49010	PIPE, WATER	1							
33	1	119645-49020	PIPE, WATER	1							
34	1	23010-038000	CLAMP, 38	4							
35	1	121450-44510	TANK ASSY, SUB	1							
37	2	121450-44530	CAP	1							
38	2	124450-44560	RETAINER	1							
39	2	23065-070180	PIPE, 7X 180	1							
40	1	121470-44540	LABEL, SUB-TANK	1							
41	1	121256-44600	BRACKET, SUB TANK	1							
42	1	721521-49100	COCK ASSY, 2-WAY	1							
44	2	121250-49121	PLUG, DRAIN	1							
45	2	24311-000160	O-RING, 1AP16.0	1							
46	1	121450-49110	COCK ASSY, 3-WAY	1							
48	2	121250-49121	PLUG, DRAIN	1							
49	2	24311-000160	O-RING, 1AP16.0	1							
50	1	124766-59050	CLIP, HOSE 12	4							
51	1	124732-59080	PIPE, FUEL D12X1000	1							
52	1	121024-59090	PIPE, FUEL D12X450	1							

Fig.11. FUEL INJECTION PUMP

Y00D5930
37NE68-USW1



(A)=3TNE68-USW1

(B)=

(C)=

(D)=

(E)=

(F)=

No.	Lev.	Parts No.	Description	Q'ty						I	R
				(A)	(B)	(C)	(D)	(E)	(F)		
1	1	719225-51100	PUMP ASSY, INJECTION	1							
4	2	119225-51100	PLUNGER ASSY	3							
7	2	119620-51170	RETAINER, SPRING A	3							
8	2	119620-51180	RETAINER, SPRING B	3							
9	2	119620-51190	SPRING, PLUNGER	3							
10	2	119620-51250	SHIM SET	3							
22	2	119225-51300	VALVE ASSY, DELIVERY	3							
25	2	105546-51330	SPRING, DELIVERY	3							
26	2	119620-51340	HOLDER, DELIVERY	3							
27	2	119620-51350	GASKET	3							
28	2	119620-51370	O-RING	3							
29	2	119620-51450	PIECE	3							
30	2	119620-51461	PIN	1							
31	2	119660-51500	RACK, CONTROL	1							
32	2	119620-51510	PINION	3							
33	2	119660-51530	RETAINER, RACK	1							
34	2	119620-51650	PLATE	2							
35	2	119620-51660	SCREW	2							
36	2	119620-51670	PIN	2							
37	2	119620-51680	PIN	1							
38	2	119620-51700	TAPPET ASSY	3							
43	2	22137-040000	WASHER, 4	2							
44	2	22217-040000	WASHER, SPRING 4	2							
45	2	26022-040082	SCREW, M4X 8	4							
46	2	26587-040102	SCREW, M4X10	2							

Fig.12. GOVERNOR

(A)=3TNE68-USW1

(B)=

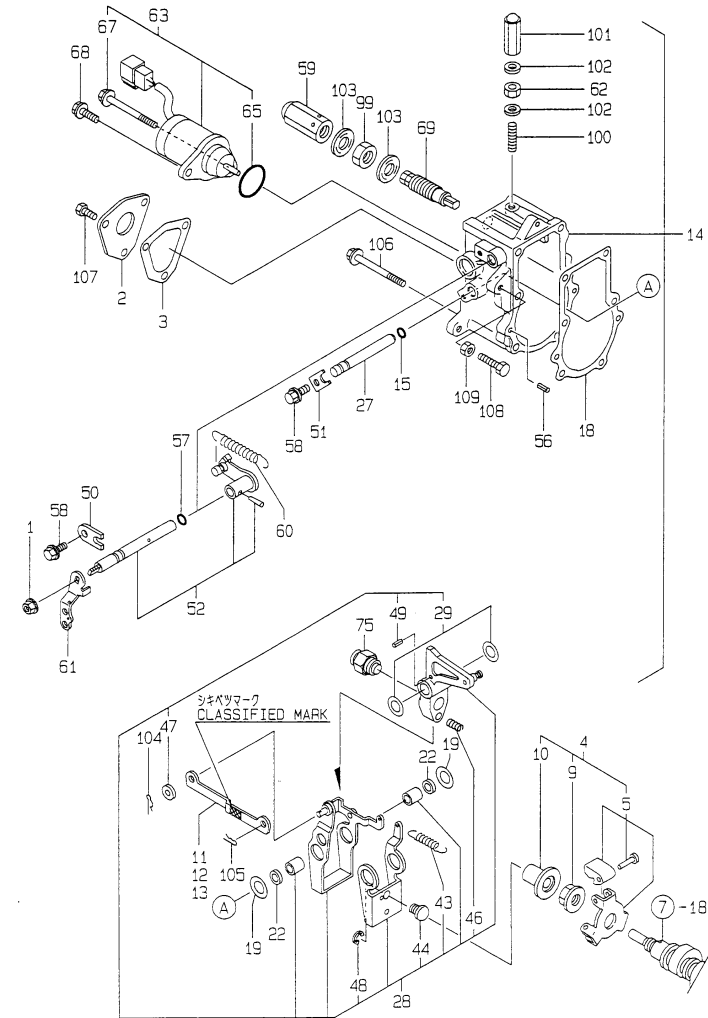
(C)=

(D)=

(E)=

(F)=

Y0005930
3TNE68-USW1



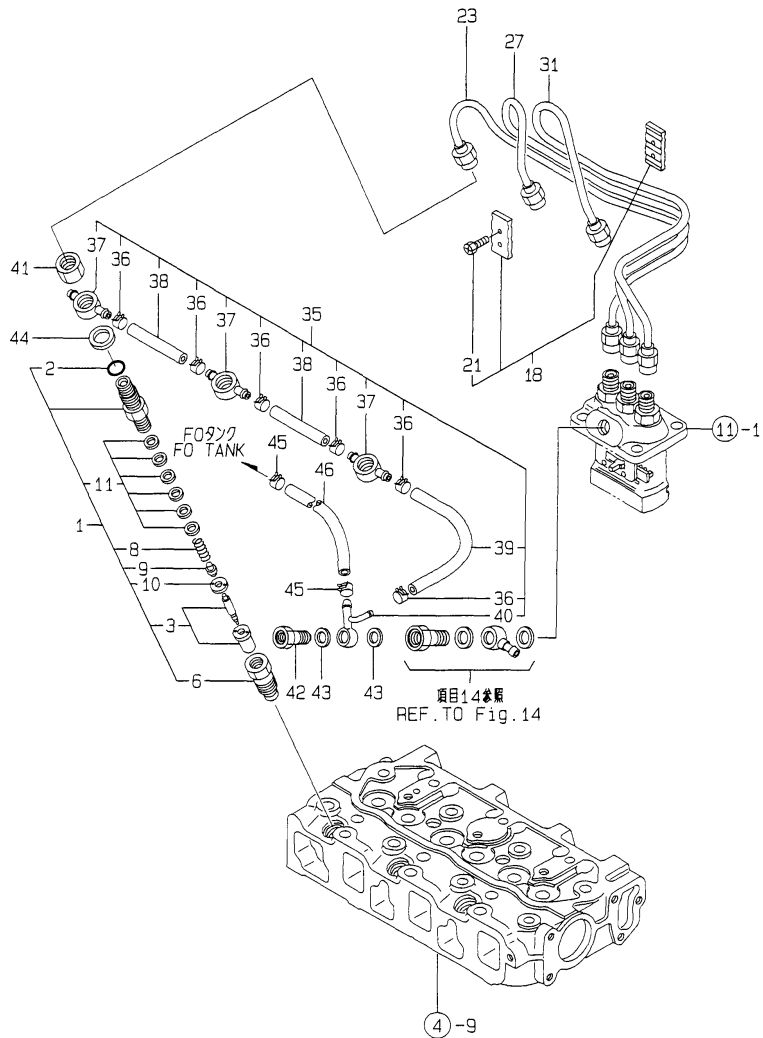
No.	Lev.	Parts No.	Description	Q'ty						I	R
				(A)	(B)	(C)	(D)	(E)	(F)		
1	1	194990-22050	NUT, M8	1							
2	1	119660-61060	COVER, GOVERNOR CASE	1							
3	1	119660-61071	GASKET	1							
4	1	119600-61100	DRIVE ASSY	1							
5	2	119600-61200	WEIGHT ASSY,GOVERNOR	1							
9	2	119660-61300	NUT	1							
10	2	119660-61341	SLEEVE	1							
11	1	119660-61121	LINK, NO MARK	1							1
12	1	119660-61140	LINK, MARK :2	1							1
13	1	119660-61150	LINK, MARK :3	1							1
14	1	119288-61200	CASE ASSY, GOVERNOR	1							
15	2	129155-51280	O-RING, S6	1							
18	2	119660-61052	GASKET	1							
19	2	119660-61460	SHIM SET	1							
22	2	129155-61480	SPACER ASSY	2							
27	2	119660-61491	SHAFT	1							
28	2	119288-61510	LEVER ASSY, GOVERNOR	1							
29	3	174307-51700	SHIM SET	2							
43	3	119232-61540	SPRING	1							
44	3	119600-61541	SHIFTER	1							
46	3	119600-61650	SPRING, STARTING	1							
47	3	22117-040000	WASHER, 4	1							
48	3	22272-000040	RING, E- 4	1							
49	3	22351-030014	PIN, SPRING 3.0X14	1							
50	2	119600-61900	RETAINER, SHAFT	1							
51	2	119660-61901	RETAINER, SHAFT	1							
52	2	119285-66080	SHAFT ASSY	1							
56	2	22351-040010	PIN, SPRING 4.0X10	2							
57	2	24341-000070	O-RING, 1AS7.0	1							
58	2	26106-060102	BOLT, M6X 10 PLATED	2							
59	1	129100-61930	NUT, CAP	1							
60	1	119260-66010	SPRING, REGULATOR	1							
61	1	119621-66051	LEVER, REGULATOR	1							
62	1	124550-66370	NUT, M6	1							
63	1	119653-66500	STOPPER ASSY	1							
65	2	24341-000280	O-RING, 1AS28.0	1							
67	2	26106-060952	BOLT, M6X 95 PLATED	1							
68	1	121465-59950	BOLT, M6X16	1							
69	1	119600-66530	LIMITER ASSY, FUEL	1							
75	1	119600-66700	ANGLEICH ASSY	1							
99	1	26776-120002	NUT, LOCK M12	1							
100	1	121575-66830	SCREW	1							
101	1	119600-66840	NUT, CAP	1							
102	1	22190-060003	SEAL WASER 6	2							
103	1	22190-120002	WASHER, SEAL 12	2							
104	1	22360-040000	PIN, SNAP 4	1							
105	1	22360-060000	PIN, SNAP 6	1							
106	1	26106-060702	BOLT, M6X 70 PLATED	5							
107	1	26116-050102	BOLT, M5X 10 PLATED	3							
108	1	26116-060304	BOLT, M6X 30 PLATED	1							
109	1	26756-060002	NUT, LOCK M6	1							

Remarks

(1) SELECTIVE PARTS : CERTAIN THE CLASSIFICATION MARK, THEN PLACE YOUR ORDER.(REF. TO ILLUSTRATION)

Fig.13. FUEL INJECTION VALVE

Y00D5930
3TNE68-USW1



(A)=3TNE68-USW1

(B)=

(C)=

(D)=

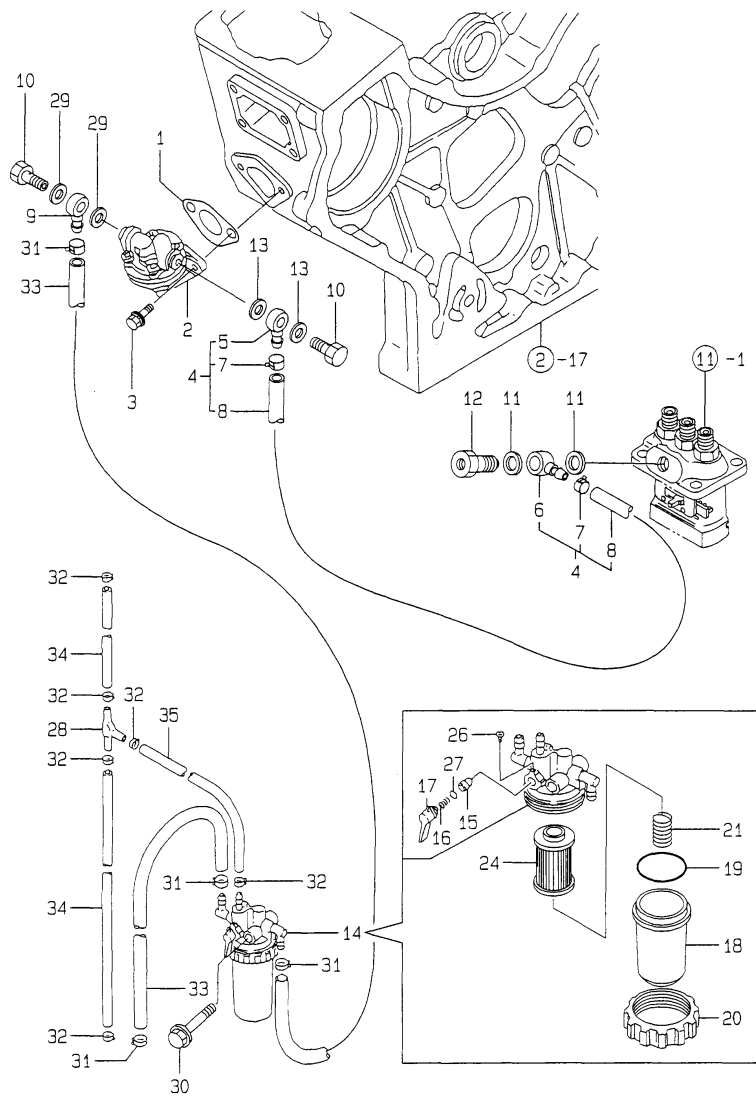
(E)=

(F)=

No.	Lev.	Parts No.	Description	Q'ty						I	R
				(A)	(B)	(C)	(D)	(E)	(F)		
1	1	719620-53700	VALVE ASSY,INJECTION	3							
2	2	129155-61830	O-RING, S10	3							
3	2	119620-53000	VALVE ASSY,INJECTION	3							
6	2	119620-53080	NUT, NOZZLE	3							
8	2	119620-53120	SPRING, NOZZLE	3							
9	2	114250-53130	SEAT, SPRING	3							
10	2	119620-53140	SPACER, VALVE STOP	3							
11	2	114250-53400	SHIM SET	3							
18	1	129150-59120	RETAINER, PIPE	1							
21	2	129150-59131	BOLT, M4X14	2							
23	1	119209-59810	PIPE ASSY, INJECTION	1							
27	1	119209-59820	PIPE ASSY, INJECTION	1							
31	1	119209-59830	PIPE ASSY, INJECTION	1							
35	1	119643-59540	PIPE ASSY, RETURN	1							
36	2	124066-59100	CLIP, HOSE 8	6							
37	2	119260-59530	JOINT	3							
38	2	105025-59550	PIPE, FUEL RETURN	2							
39	2	119642-59550	PIPE, FUEL RETURN	1							
40	2	119643-59570	JOINT, OVER FLOW	1							
41	1	119620-59700	NUT, NOZZLE	3							
42	1	124550-59820	BOLT, PIPE JOINT M8	1							
43	1	23414-080012	GASKET, 8X1.0	2							
44	1	23414-140000	GASKET, 14X1.0	3							
45	1	124766-59050	CLIP, HOSE 12	2							
46	1	121454-59090	PIPE, FUEL D12X700	1							

Fig.14. FUEL LINE

Y00D5930
3TNE68-USW1



(A)=3TNE68-USW1

(B)=

(C)=

(D)=

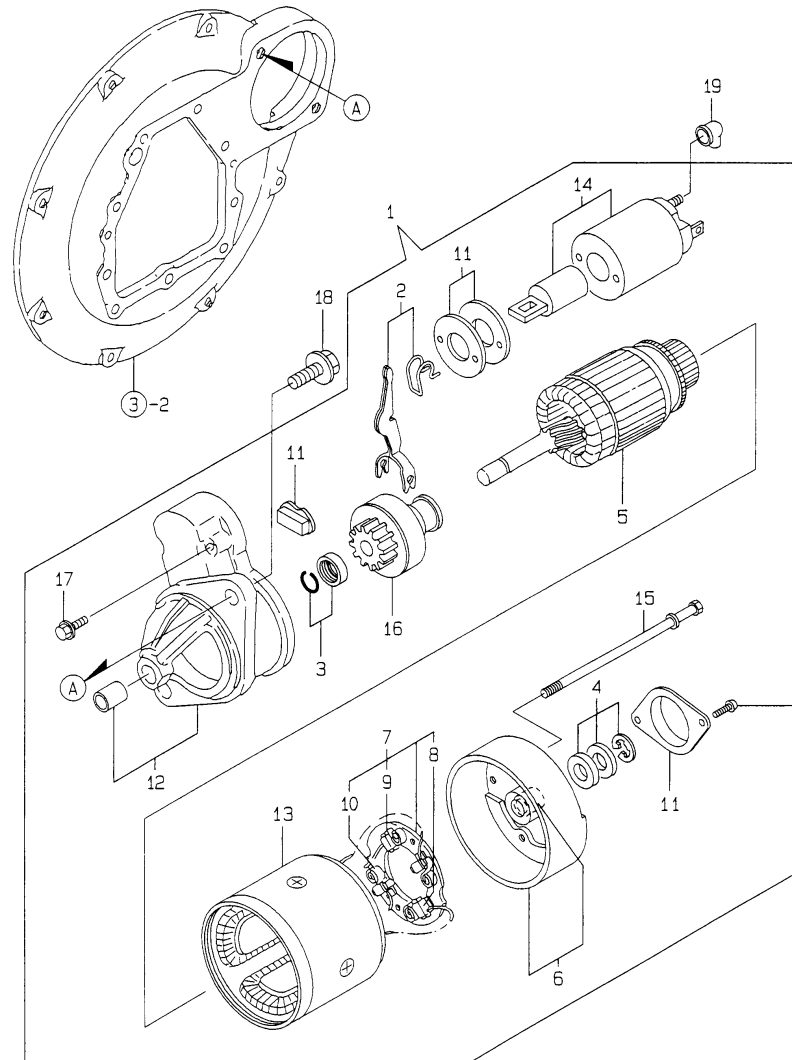
(E)=

(F)=

No.	Lev.	Parts No.	Description	Q'ty						I	R
				(A)	(B)	(C)	(D)	(E)	(F)		
1	1	121520-01851	GASKET	1							
2	1	119600-52021	PUMP ASSY, FUEL FEED	1							
3	1	26106-060162	BOLT, M6X 16 PLATED	2							
4	1	119650-59010	PIPE ASSY, FUEL	1							
5	2	101304-59020	JOINT, PIPE 12	1							
6	2	104264-59030	JOINT, PIPE 8	1							
7	2	124766-59050	CLIP, HOSE 12	2							
8	2	106430-59560	PIPE, FUEL	1							
9	1	104264-59030	JOINT, PIPE 8	1							
10	1	105582-59150	BOLT, PIPE JOINT	2							
11	1	104200-59170	GASKET, 12	2							
12	1	119650-59200	BOLT, PIPE JOINT M12	1							
13	1	22190-080002	WASHER, SEAL 6	2							
14	1	119645-55600	FILTER ASSY, FUEL	1							
15	2	104200-55321	VALVE, TAPER	1							
16	2	104200-55330	SPRING, VALVE	1							
17	2	119810-55340	LEVER	1							
18	2	121254-55510	COVER	1							
19	2	102103-55520	O-RING	1							
20	2	110250-55610	RING, RETAINING	1							
21	2	121250-55620	SPRING	1							
24	2	124550-55700	FILTER, FUEL L=90	1							
26	2	104200-55750	SCREW, M4	1							
27	2	24311-240100	O-RING, 1AP10A	1							
28	1	119643-55620	JOINT, 3-WAY	1							
29	1	22190-080002	WASHER, SEAL 6	2							
30	1	26106-080652	BOLT, M8X 65 PLATED	1							
31	1	124766-59050	CLIP, HOSE 12	4							
32	1	124066-59100	CLIP, HOSE 8	6							
33	1	106150-59510	PIPE, FUEL RETURN	2							
34	1	119000-59560	PIPE, FUEL RETURN	2							
35	1	124066-59580	PIPE ASSY, RETURN	1							

Fig.15. STARTING MOTOR

Y00D5930
37NE68-USW1



(A)=3TNE68-USW1

(B)=

(C)=

(D)=

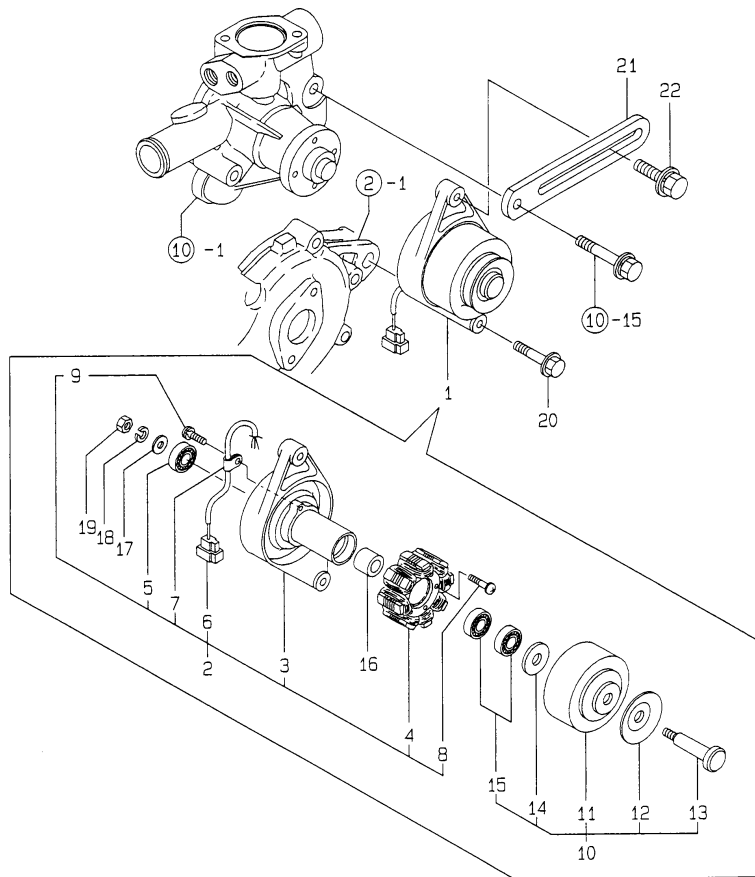
(E)=

(F)=

No.	Lev.	Parts No.	Description	Q'ty						I	R
				(A)	(B)	(C)	(D)	(E)	(F)		
1	1	119631-77011	STARTING MOTOR	1							
2	2	114371-77180	LEVER KIT, SHIFT	1							
3	2	X2114715500	STOPPER SET	1							
4	2	X2114811000	WASHER KIT, THRUST	1							
5	2	114371-77110	ARMATURE	1							
6	2	114371-77140	COVER ASSY, REAR	1							
7	2	114371-77160	HOLDER ASSY, BRUSH	1							
8	3	114371-79040	BRUSH	2							
9	3	114371-79050	BRUSH	1							
10	3	114371-79060	SPRING	4							
11	2	114371-77170	COVER ASSY, DUST	1							
12	2	119631-77651	CASE ASSY, GEAR	1							
13	2	124097-77710	YOKE ASSY	1							
14	2	X2114275010	SWITCH ASSY	1							
15	2	124195-77770	BOLT, THROUGH	2							
16	2	119631-77780	PINION ASSY	1							
17	2	114371-79070	BOLT	2							
18	1	26116-120252	BOLT, M12X 25 PLATED	2							
19	1	124160-77020	COVER, TERMINAL	1							

Fig.16. GENERATOR

Y00D5930
3TNE68-USW1



(A)=3TNE68-USW1

(B)=

(C)=

(D)=

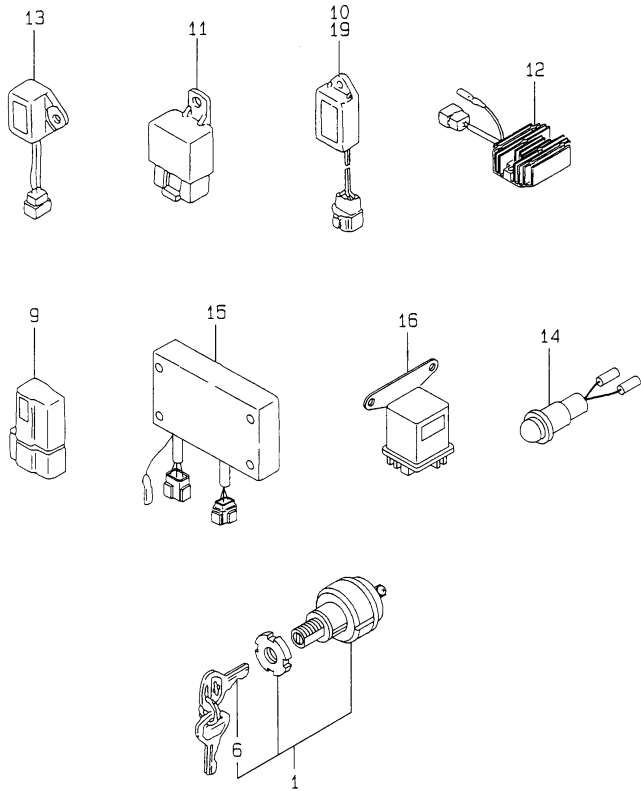
(E)=

(F)=

No.	Lev.	Parts No.	Description	Q'ty						I	R
				(A)	(B)	(C)	(D)	(E)	(F)		
1	1	171301-77201	DYNAMO ASSY, 15A	1							
2	2	XM08137	PLATE ASSY	1							
3	3	XM08138	PLATE	1							
4	3	XM08180	STATOR SET	1							
5	3	XM27436	BEARING, BALL	1							
6	3	XM17878	COUPLER	1							
7	3	XM36410	CLAMP	1							
8	3	26022-040252	SCREW, M4X25	2							
9	3	XYSPS4008	SCREW	1							
10	2	XM82184	FLYWHEEL ASSY	1							
11	3	XM82110	FLYWHEEL	1							
12	3	XM72174	PULLEY	1							
13	3	XM72664	SHAFT	1							
14	3	XM37336	WASHER	1							
15	3	XM27436	BEARING, BALL	2							
16	2	106383-44720	SPACER	1							
17	2	106383-44730	WASHER	1							
18	2	22212-100000	SPRING WASHER 10	1							
19	2	26716-100002	NUT, M10	1							
20	1	26106-100402	BOLT, M10X 40 PLATED	1							
21	1	121450-77330	ADJUSTER	1							
22	1	26014-080252	BOLT, M8X 25	1							

Fig.17. ELECTRIC PARTS

Y00D5930
3TNE68-USW1



(A)=3TNE68-USW1

(B)=

(C)=

(D)=

(E)=

(F)=

No.	Lev.	Parts No.	Description	Q'ty						I	R
				(A)	(B)	(C)	(D)	(E)	(F)		
1	1	194215-52110	SWITCH, STARTING	1							
6	2	194155-52160	KEY ASSY	1							
9	1	119643-66900	DIODE	1							
10	1	128300-77920	TIMER	1							
11	1	119247-77100	RELAY, SAFETY	2							
12	1	129132-77700	LIMITER, RS5136	1							
13	1	121522-77721	INDICATOR	1							
14	1	124732-77720	LAMP, CHARGING	1							
15	1	171440-77801	RELAY, EMERGENCY	1							
16	1	119650-77910	RELAY ASSY, GLOW	1							
19	1	119632-77920	TIMER	1							

Fig.18. GASKET SET

(A)=3TNE68-USW1

(B)=

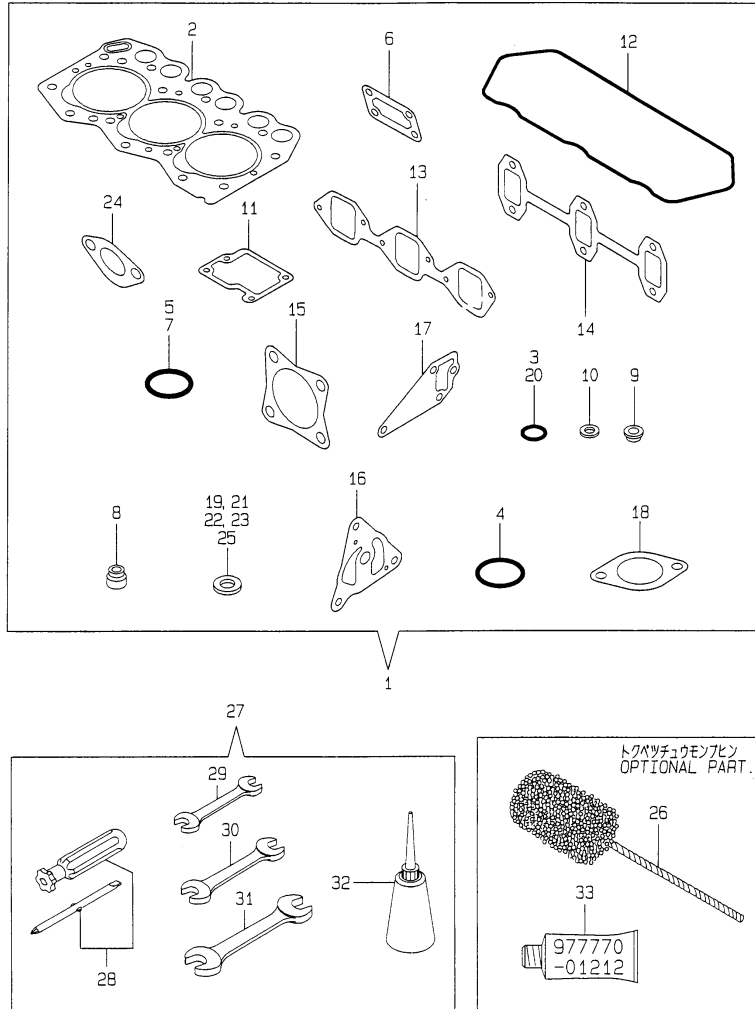
(C)=

(D)=

(E)=

(F)=

Y0005930
3TNE68-USW1



No.	Lev.	Parts No.	Description	Q'ty						I	R
				(A)	(B)	(C)	(D)	(E)	(F)		
1	1	719265-92680	GASKET SET	1							1
2	2	119265-01341	GASKET, HEAD	1							
3	2	24311-000120	O-RING, 1AP12.0	5							
4	2	24311-000320	O-RING, 1AP32.0	2							
5	2	24341-000240	O-RING, 1AS24.0	1							
6	2	119660-01562	GASKET	1							
7	2	24311-000180	O-RING, 1AP18.0	1							
8	2	119260-11340	SEAL, VALVE STEM	6							
9	2	119600-11450	PROTECTOR, NOZZLE	3							
10	2	119600-11460	GASKET, NOZZLE	6							
11	2	119260-03031	GASKET	1							
12	2	119260-11310	GASKET, BONNET	1							
13	2	119260-12111	GASKET, MANIFOLD	1							
14	2	119260-13110	GASKET	1							
15	2	121000-13201	GASKET, SILENCER	1							
16	2	119660-32020	GASKET, PUMP	1							
17	2	119260-42020	GASKET, WATER PUMP	1							
18	2	129350-49541	GASKET	1							
19	2	124465-44950	GASKET, 16	2							
20	2	129155-61830	O-RING, S10	3							
21	2	23414-080012	GASKET, 8X1.0	2							
22	2	22190-080002	WASHER, SEAL 6	4							
23	2	23414-140000	GASKET, 14X1.0	3							
24	2	121520-01851	GASKET	1							
25	2	104200-59170	GASKET, 12	2							
26	1	129400-92400	HONE	1							1
27	1	171001-93110	BOX, TOOL	1							
28	2	104200-92350	DRIVER, SCREW	1							
29	2	28110-100120	SPANNER, 10X12	1							
30	2	28110-140170	SPANNER, 14X17	1							
31	2	28110-190220	SPANNER, 19X22	1							
32	2	28210-000140	OILER	1							
33	1	977770-01212	GASKET, LIQUID	1							1

Remarks
(1) OPTIONAL PART.

Parts No. Index

Parts No.	Fig. No.	Ref. No.
101304-59020	14	5
102103-55520	14	19
104200-55321	14	15
104200-55330	14	16
104200-55750	14	26
104200-59170	14	11
	18	25
104200-92350	18	28
104264-59030	14	6
		9
105010-11230	4	37
		41
105025-59550	13	38
105546-51330	11	25
105582-59150	14	10
106150-59510	14	33
106383-44720	16	16
106383-44730	16	17
106430-59560	14	8
110250-55610	14	20
114250-11120	4	21
114250-11180	4	22
114250-53130	13	9
114250-53400	13	11
114371-77110	15	5
114371-77140	15	6
114371-77160	15	7
114371-77170	15	11
114371-77180	15	2
114371-79040	15	8
114371-79050	15	9
114371-79060	15	10
114371-79070	15	17
119000-59560	14	34
119209-59810	13	23
119209-59820	13	27
119209-59830	13	31
119225-14200	7	18
119225-35300	9	16
119225-51100	11	4
119225-51300	11	22
119232-61540	12	43
119244-21650	8	8
119245-12210	5	14
119247-77100	17	11
119256-42290	10	16
119260-01200	1	23
119260-01490	2	17
119260-01510	2	20
119260-01590	2	1

Parts No.	Fig. No.	Ref. No.
119260-02020	1	6
119260-02410	1	22
119260-03020	4	52
119260-03031	4	53
	18	11
119260-07900	4	6
119260-11100	4	19
119260-11110	4	20
119260-11200	4	29
119260-11240	4	30
119260-11260	4	33
119260-11270	4	34
119260-11280	4	35
119260-11310	4	56
	18	12
119260-11340	4	25
	18	8
119260-11370	4	26
119260-11800	4	13
119260-12111	5	1
	18	13
119260-12150	5	2
119260-13100	6	1
119260-13110	6	2
	18	14
119260-14100	7	7
119260-14200	7	1
119260-14400	7	2
119260-14580	7	3
119260-21200	8	5
119260-23910	8	30
119260-25100	7	11
119260-32000	9	1
119260-42020	10	13
	18	17
119260-59530	13	37
119260-66010	12	60
119265-01341	1	24
	18	2
119265-01770	3	12
119265-11260	4	45
119265-11700	4	9
119265-21700	8	1
119265-22090	8	16
119265-22300	8	24
119265-22500	8	18
119265-23100	8	26
119265-23200	8	31
119265-34830	9	14
119265-35080	9	25

Parts No.	Fig. No.	Ref. No.
119265-42002	10	1
119285-03140	4	1
119285-07900	4	8
119285-66080	12	52
119288-61200	12	14
119288-61510	12	28
119305-35150	9	15
119454-01721	3	10
119600-11450	4	27
	18	9
119600-11460	4	28
	18	10
119600-52021	14	2
119600-61100	12	4
119600-61200	12	5
119600-61541	12	44
119600-61650	12	46
119600-61900	12	50
119600-66530	12	69
119600-66700	12	75
119600-66840	12	101
119620-01620	3	5
119620-01800	2	4
119620-02450	7	4
119620-11350	4	46
119620-11390	4	57
119620-21941	8	10
119620-25912	7	13
119620-42350	10	17
119620-51170	11	7
119620-51180	11	8
119620-51190	11	9
119620-51250	11	10
119620-51340	11	26
119620-51350	11	27
119620-51370	11	28
119620-51450	11	29
119620-51461	11	30
119620-51510	11	32
119620-51650	11	34
119620-51660	11	35
119620-51670	11	36
119620-51680	11	37
119620-51700	11	38
119620-53000	13	3
119620-53080	13	6
119620-53120	13	8
119620-53140	13	10
119620-59700	13	41
119621-21680	8	9

Parts No.	Fig. No.	Ref. No.
119621-66051	12	61
119623-01950	2	26
119631-77011	15	1
119631-77651	15	12
119631-77780	15	16
119632-77920	17	19
119642-59550	13	39
119643-55620	14	28
119643-59540	13	35
119643-59570	13	40
119643-66900	17	9
119645-01600	3	2
119645-21590	8	12
119645-49010	10	32
119645-49020	10	33
119645-55600	14	14
119645-77820	4	63
119650-59010	14	4
119650-59200	14	12
119650-77910	17	16
119653-66500	12	63
119660-01551	2	23
119660-01562	2	24
	18	6
119660-01570	2	25
119660-01640	3	6
119660-01821	7	17
119660-01911	2	5
119660-25022	7	9
119660-25052	7	10
119660-32020	9	11
	18	16
119660-51500	11	31
119660-51530	11	33
119660-61052	12	18
119660-61060	12	2
119660-61071	12	3
119660-61121	12	11
119660-61140	12	12
119660-61150	12	13
119660-61300	12	9
119660-61341	12	10
119660-61460	12	19
119660-61491	12	27
119660-61901	12	51
119810-55340	14	17
119865-21600	8	15
121000-13201	6	8
	18	15
121023-01550	2	14

Parts No. Index

Parts No.	Fig. No.	Ref. No.
121024-59090	10	52
121111-21501	8	11
121120-01620	3	3
121250-44901	10	27
121250-49121	10	44
		48
121250-55620	14	21
121254-55510	14	18
121256-44600	10	41
121400-01640	3	13
121450-01560	2	21
121450-42450	10	26
121450-44510	10	35
121450-44530	10	37
121450-49110	10	46
121450-77330	16	21
121454-59090	13	46
121465-12500	5	6
121465-12510	5	7
121465-12650	5	8
121465-12660	5	9
121465-12700	5	12
121465-59950	12	68
121470-44540	10	40
121500-12790	5	4
121520-01851	14	1
	18	24
121520-34810	9	13
121522-77721	17	13
121550-49111	10	25
121575-66830	12	100
123682-44210	10	31
124060-01050	1	5
124064-12680	5	10
124064-12690	5	11
124066-59100	13	36
	14	32
	14	35
124066-59580	14	35
124085-02220	3	8
124097-77710	15	13
124160-01751	2	12
	4	51
124160-11360	4	49
124160-39450	9	28
124160-77020	15	19
124195-77770	15	15
124450-44560	10	38
124465-44950	10	28
		29
	18	19

Parts No.	Fig. No.	Ref. No.
124550-55700	14	24
124550-59820	13	42
124550-66370	12	62
124700-44740	10	18
124732-59080	10	51
124732-77720	17	14
124766-59050	10	50
	13	45
	14	7
		31
128300-77920	17	10
129100-01580	3	1
	8	2
129100-61930	12	59
129132-77700	17	12
129150-35350	9	24
129150-59120	13	18
129150-59131	13	21
129155-51280	12	15
129155-61480	12	22
129155-61830	13	2
	18	20
129350-49530	10	21
129350-49541	10	22
	18	18
129350-49800	10	23
129400-92400	18	26
129795-77800	4	62
171001-93110	18	27
171002-44502	10	30
171008-03990	4	2
171056-49120	10	14
171126-12580	5	13
171301-77201	16	1
171353-44760	10	19
171440-77801	17	15
174307-51700	12	29
194155-52160	17	6
194215-52110	17	1
194990-22050	2	33
	6	7
	12	1
22117-040000	12	47
22137-040000	11	43
22190-060003	12	102
22190-080002	14	13
		29
	18	22
22190-120002	12	103
22212-100000	16	18

Parts No.	Fig. No.	Ref. No.
22217-040000	11	44
22217-050000	4	58
22242-000100	4	44
22242-000200	7	15
22252-000200	8	25
22272-000040	12	48
22351-030014	12	49
22351-040010	2	22
	12	56
22351-060012	4	64
22360-040000	12	104
22360-060000	12	105
22512-040120	7	8
		22
	8	6
23000-060000	5	15
23010-038000	10	34
23065-070180	10	39
23414-080012	13	43
	18	21
23414-140000	13	44
	18	23
23871-030000	4	16
24101-062034	7	24
24102-063034	7	23
24311-000120	2	6
	4	61
	9	26
	18	3
24311-000160	10	45
		49
24311-000180	3	15
	18	7
24311-000210	10	11
24311-000320	2	13
	4	59
	18	4
24311-240100	14	27
24341-000070	12	57
24341-000240	2	15
	18	5
24341-000280	12	65
26014-080252	16	22
26022-040082	11	45
26022-040252	16	8
26106-060102	3	16
	12	58
26106-060122	1	25
	7	16
	9	27

Parts No.	Fig. No.	Ref. No.
26106-060162	2	7
	7	25
	14	3
26106-060182	2	16
26106-060202	5	5
26106-060222	3	9
26106-060302	2	8
26106-060352	6	3
	10	20
26106-060402	2	9
26106-060452	3	17
26106-060502	2	10
26106-060652	2	11
26106-060702	12	106
26106-060952	12	67
26106-080142	4	7
26106-080202	10	24
26106-080452	4	47
	10	15
26106-080652	14	30
26106-100402	16	20
26116-050102	12	107
26116-060304	12	108
26116-120252	15	18
26206-100252	3	4
26216-060402	6	4
26216-080222	6	5
26366-060002	2	34
	6	6
26366-080002	4	48
26450-060202	9	12
26557-050102	4	60
26587-040102	11	46
26587-080102	7	26
26716-100002	16	19
26756-060002	4	39
		43
	12	109
26776-120002	12	99
27221-050080	4	17
27221-060100	1	11
27231-400000	1	12
27241-100000	1	13
27241-250000	1	14
27241-300000	1	15
27241-350000	4	18
28110-100120	18	29
28110-140170	18	30
28110-190220	18	31
28210-000140	18	32

Parts No. Index

Parts No.	Fig. No.	Ref. No.
714250-11570	4	23
719225-51100	11	1
719260-02800	1	16
719260-02870	1	26
719260-02930	1	19
719260-11520	4	50
719260-11650	4	36
719260-11660	4	40
719260-23600	8	32
719260-23610	8	40
719265-01560	1	1
719265-22900	8	34
719265-22950	8	36
719265-92680	18	1
719620-53700	13	1
721521-49100	10	42
977770-01212	2	35
	3	18
	18	33
X2114275010	15	14
X2114715500	15	3
X2114811000	15	4
XM08137	16	2
XM08138	16	3
XM08180	16	4
XM17878	16	6
XM27436	16	5
		15
XM36410	16	7
XM37336	16	14
XM72174	16	12
XM72664	16	13
XM82110	16	11
XM82184	16	10
XYSPS4008	16	9

Parts No.	Fig. No.	Ref. No.
-----------	----------	----------

Parts No.	Fig. No.	Ref. No.
-----------	----------	----------

Parts No.	Fig. No.	Ref. No.
-----------	----------	----------