

OCD10-M57400EN

PREFACE

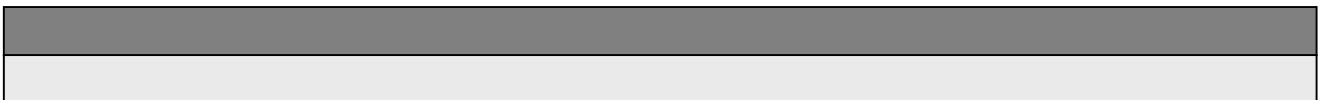
1. This Parts Catalog is the 1st edition of 3TNE82A-YB Diesel Engine for SHINKO ZOHKI.

Pub. No. : 000Y00D5740

Published : May, 1996

2. Model name

Engine model	Vehicle		Vehicle made by
	Products	Model name	
3TNE82A-YB	EXCAVATOR	—	SHINKO ZOHKI



Directions for the Parts Catalog.

1. This Parts Catalog shows both standard and optional parts.
2. Parts may change without prior notice.
3. The following is an example of the Parts Catalog format.

REF.	LEV.	PARTS NO.	DESCRIPTION	Q'TY						I	R
				(A)	(B)	(C)	(D)	(E)	(F)		
1	1	729595-51390	FUEL INJECTION PUMP	1	1	1	1	1			1
1-1	1	729595-51391	FUEL INJECTION PUMP	1	1	1	1	1		N	1
		(A=E00185) (B=E00200)									
3	2	26022-060162	SCREW M 6X 16	9	9	9	9	9			
3-1	2	26022-060162	SCREW M 6X 16	4	4	4	4	4		K	
		(A=E00156) (B=E00156) (C=E00156) (D=E00156) (E=E00156)									
4	2	129470-51040	CAMSHAFT	1	1	1	1	1			
5	2	122710-51050	BEARING, ROLLER	2	2	2	2	2			
6	2	129470-51060	RETAINER	1	1	1	1	1			

Remarks
(1) BOOST COMPEMSATOR TYPE. OPTIONAL PART, TO E00155,(4JH-DT, 4JH-DTZ

① Ref. No.

The Ref. No. listed may not be in accordance with the illustration Ref. No.

(Ex.) Illustration No.

List Ref No.

1

1

(Before change)

1-1

(After change)

For interchangeable symbols N, R and K, illustrations for new parts may be abbreviated.

② Lev. (Level)

Level indication

The numbers below indicate the level of relativity towards the main part.

1 ----- Main parts (Assembly parts)

2 ----- Sub component included in " 1 ".

3 ----- Sub component included in " 2 ".

Note) Parts that are not for sale are partially illustrated but not listed.

③ Interchangeability Symbol

When a part change takes place, one of the following interchangeability symbols is indicated beside the part.

Symbol	Interchangeability	Contents note
N	Old $\begin{matrix} \leftarrow \text{Yes} \\ \text{No} \rightarrow \end{matrix}$ New	New Part is interchangeable for Old Part but Old Part is not interchangeable for New Part.
Q	Old $\begin{matrix} \leftarrow \text{No} \\ \text{Yes} \rightarrow \end{matrix}$ New	New Part is not interchangeable for Old Part but Old Part is interchangeable for New Part.
R	Old $\begin{matrix} \leftarrow \text{Yes} \\ \text{Yes} \rightarrow \end{matrix}$ New	New/ Old Parts are both interchangeable.
S	Old $\begin{matrix} \leftarrow \text{No} \\ \text{No} \rightarrow \end{matrix}$ New	New/ Old Parts are both not interchangeable.
W		Part newly added.
Z		Part discontinued.
F		Not interchangeable by a single part but interchangeable together with related parts.
K		Changes only for used parts quantities.

④ Effective Machine No.

When a part changes, the effective Machine No. will be indicated in the (A)-(F) column.

Product Symbol	Product No.	Product Symbol	Product No.
C	Clutch No. Compressor No.	F	Machine No. (Agricultural Equip.)
D	Drive No.	M	Machine No.
E	Engine No.		

Note 1) A date may follow the symbol. (Ex.) 1996.01

Note 2) "XXXXX" and "ZZZZZ" are for parts that could not be predicted or for engine models that could not be identified.

Note 3) (A=E00185) is the E (Engine Serial Number) for the column (A) model (in this case 4JH-DT) after the parts design change.

⑤ Remarks

Figures or alphabets (symbols) are entered in the remarks column.

The comments (remarks) on parts that are indicated at the bottom of the illustration are the same symbols as those stated above.

Contents

Fig. No. Fig. Name

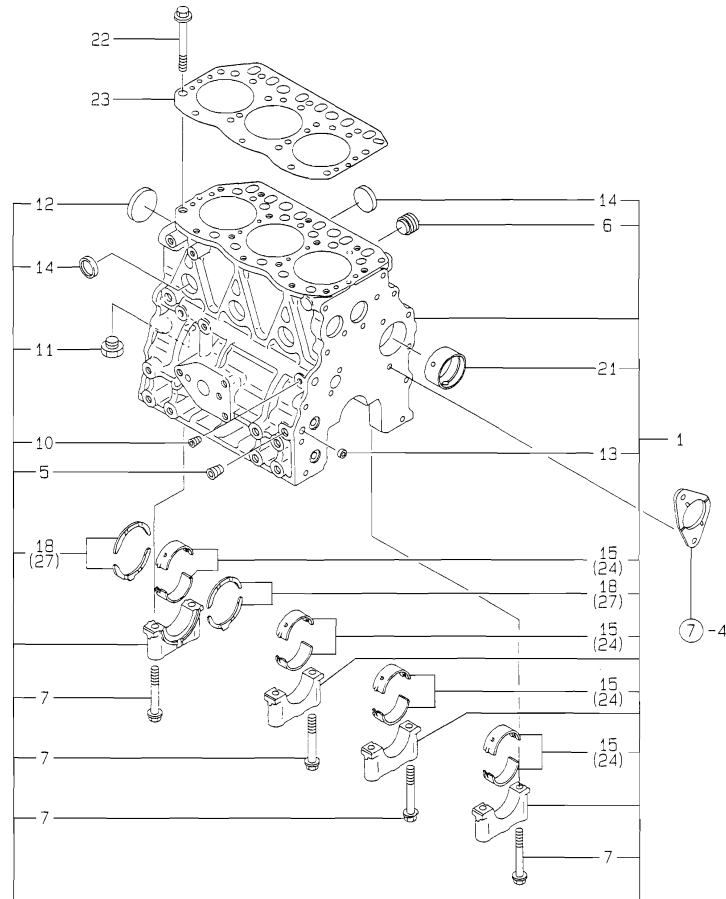
3TNE82A-YB

1. CYLINDER BLOCK
2. GEAR HOUSING
3. FLYWHEEL HOUSING & OIL SUMP
4. CYLINDER HEAD & BONNET
5. SUCTION MANIFOLD & AIR CLEANER
6. EXHAUST MANIFOLD & SILENCER
7. CAMSHAFT & DRIVING GEAR
8. CRANKSHAFT & PISTON
9. LUB.OIL SYSTEM
10. COOLING WATER SYSTEM
11. FUEL INJECTION PUMP
12. GOVERNOR
13. FUEL INJECTION VALVE
14. FUEL LINE
15. STARTING MOTOR
16. GENERATOR
17. GASKET SET

Fig. No. Fig. Name

Fig.1. CYLINDER BLOCK

Y00D5740
3TNE82A-YB



(A)=3TNE82A-YB

(B)=

(C)=

(D)=

(E)=

(F)=

No.	Lev.	Parts No.	Description	Q'ty						I	R
				(A)	(B)	(C)	(D)	(E)	(F)		
1	1	719813-01560	BLOCK ASSY, CYLINDER	1							
5	2	124160-01910	PLUG, PT1/4	2							
6	2	171051-01921	PLUG, NPTF1	1							
7	2	119620-02020	BOLT, METAL CAP	8							
10	2	23871-010000	PLUG, R01	1							
11	2	23887-120002	PLUG, 12	1							
12	2	27231-500000	PLUG 50	1							
13	2	27241-120000	PLUG, 12	2							
14	2	27241-300000	PLUG 30	6							
15	2	719810-02800	BEARING, MAIN	4							
18	2	719810-02930	BEARING, THRUST	2							
21	2	129795-02411	BUSH, CAMSHAFT	1							
22	1	119810-01200	BOLT, HEAD	14							
23	1	119812-01330	GASKET, HEAD	1							
24	1	119810-02870	BEARING, 0.25 US	4							1
27	1	119810-02940	BEARING, THRUST 0.25	2							2

Remarks

- (1) UNDER-SIZE(U.S=0.25)PART.
- (2) OVER-SIZE(O.S=0.25)PART.

Fig.2. GEAR HOUSING

(A)=3TNE82A-YB

(B)=

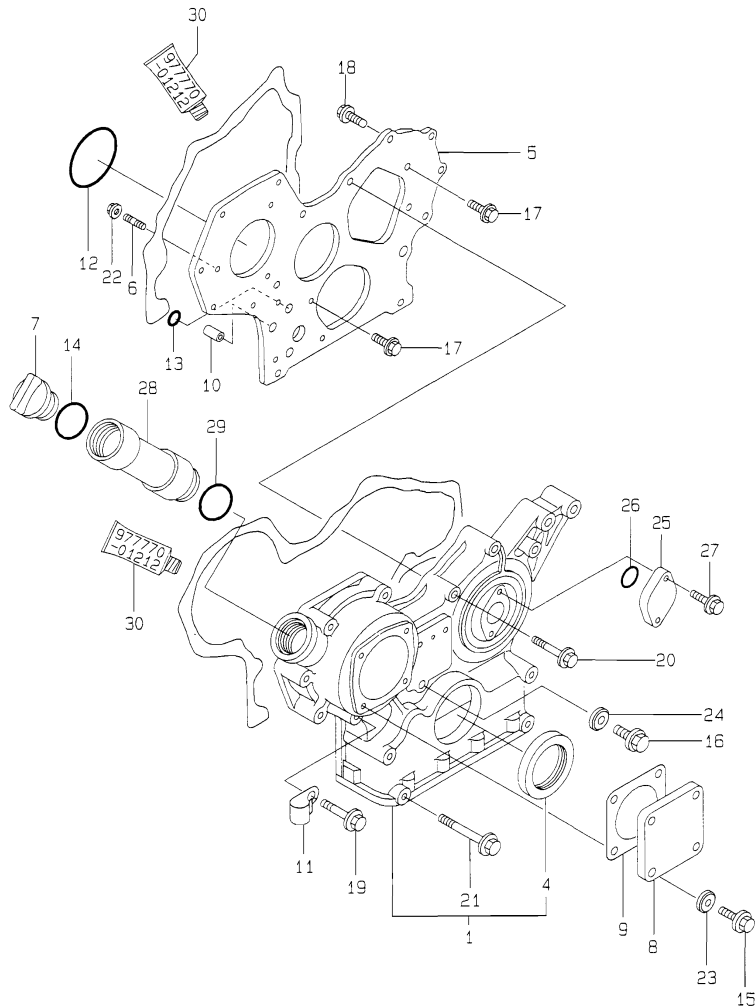
(C)=

(D)=

(E)=

(F)=

Y00D5740
3TNE82A-YB

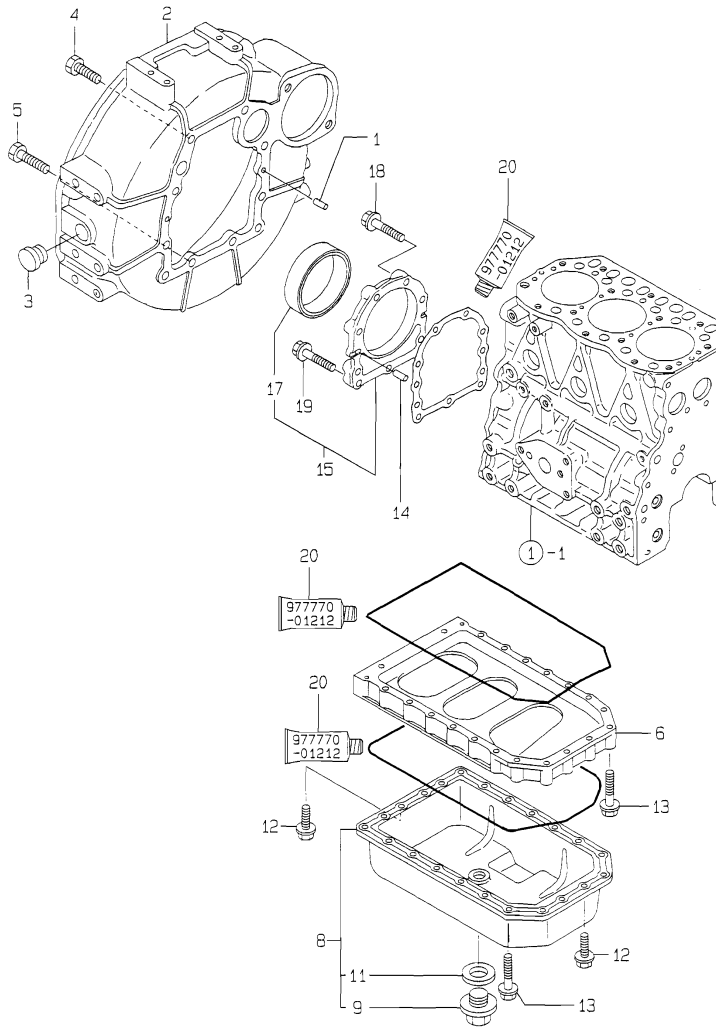


No.	Lev.	Parts No.	Description	Q'ty						I	R
				(A)	(B)	(C)	(D)	(E)	(F)		
1	1	719810-01500	CASE ASSY, GEAR	1							
4	2	129795-01800	SEAL, OIL	1							
5	1	129400-01520	FLANGE, GEAR CASE	1							
6	1	121450-01560	STUD, M8X22	3							
7	1	124160-01751	COVER, FILLER	1							
8	1	124240-01871	COVER	1							
9	1	124240-01883	GASKET	1							
10	1	129795-01950	PIPE, KNOCK L=18	2							
11	1	129150-03100	RETAINER, PIPE	1							
12	1	121850-51960	O-RING	1							
13	1	24311-000160	O-RING, 1AP16.0	2							
14	1	24311-000320	O-RING, 1AP32.0	1							
15	1	26106-080122	BOLT, M8X 12 PLATED	4							
16	1	26106-080162	BOLT, M8X 16 PLATED	1							
17	1	26106-080162	BOLT, M8X 16 PLATED	3							
18	1	26106-080202	BOLT, M8X 20 PLATED	2							
19	1	26106-080452	BOLT, M8X 45 PLATED	6							
20	1	26106-080552	BOLT, M8X 55 PLATED	3							
21	1	26106-080852	BOLT, M8X 85 PLATED	4							
22	1	26366-080002	NUT, M8	3							
23	1	22190-080002	WASHER, SEAL 6	4							
24	1	22190-080002	WASHER, SEAL 6	1							
25	1	121023-01550	COVER	1							
26	1	24341-000240	O-RING, 1AS24.0	1							
27	1	26106-060122	BOLT, M6X 12 PLATED	2							
28	1	171031-11741	PIPE	1							
29	1	24311-000320	O-RING, 1AP32.0	1							
30	1	977770-01212	GASKET, LIQUID	1							1

Remarks
(1) OPTIONAL PART.

Fig.3. FLYWHEEL HOUSING & OIL SUMP

Y00D5740
37NE82A-YB



(A)=3TNE82A-YB

(B)=

(C)=

(D)=

(E)=

(F)=

No.	Lev.	Parts No.	Description	Q'ty						I	R
				(A)	(B)	(C)	(D)	(E)	(F)		
1	1	129100-01580	PIN, M8X16	2							
2	1	171301-01600	HOUSING, FLYWHEEL	1							
3	1	119620-01750	CAP	1							
4	1	26206-100252	BOLT, M10X 25 PLATED	6							
5	1	26206-100302	BOLT, M10X 30 PLATED	4							
6	1	119810-01730	SPACER, OIL SUMP	1							
8	1	119810-01790	SUMP ASSY, OIL	1							
9	2	119640-01640	PLUG, DRAIN M22	1							
11	2	22190-220002	WASHER, SEAL 22	1							
12	1	26106-080162	BOLT, M8X 16 PLATED	6							
13	1	26106-080452	BOLT, M8X 45 PLATED	22							
14	1	129100-01580	PIN, M8X16	2							
15	1	719810-01650	CASE ASSY, OIL SEAL	1							
17	2	119810-01780	SEAL, 769310	1							
18	1	26106-080302	BOLT, M8X 30 PLATED	6							
19	1	26106-080352	BOLT, M8X 35 PLATED	3							
20	1	977770-01212	GASKET, LIQUID	1							1

Remarks

(1) OPTIONAL PART.

Fig.4. CYLINDER HEAD & BONNET

(A)=3TNE82A-YB

(B)=

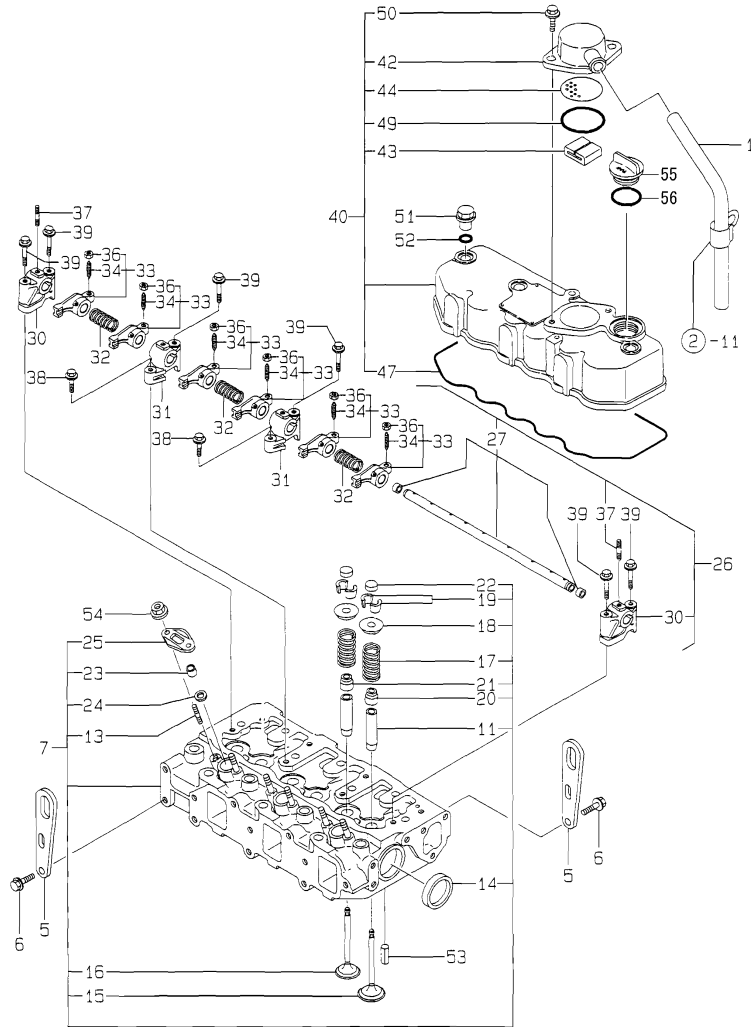
(C)=

(D)=

(E)=

(F)=

Y00D5740
3TNE82A-YB



No.	Lev.	Parts No.	Description	Q'ty						I	R
				(A)	(B)	(C)	(D)	(E)	(F)		
1	1	23065-160800	PIPE, 16X 800	1							
5	1	124736-07900	LIFTER	2							
6	1	26106-080142	BOLT, M8X 14 PLATED	4							
7	1	119812-11700	HEAD ASSY, CYLINDER	1							
11	2	124060-11800	GUIDE, VALVE	6							1
13	2	26216-060302	STUD, M6X 30	6							
14	2	27241-400000	PLUG, 40	2							
15	2	119810-11100	VALVE, INTAKE	3							
16	2	119810-11110	VALVE, EXHAUST	3							
17	2	119810-11120	SPRING, VALVE	6							
18	2	104211-11180	RETAINER, SPRING	6							
19	2	27310-070001	COTTER, 7	6							
20	2	124160-11340	SEAL, VALVE STEM	3							
21	2	124950-11340	SEAL, VALVE STEM	3							
22	2	104211-11370	CAP, VALVE	6							
23	2	119625-11871	PROTECTOR, NOZZLE	3							
24	2	119625-11880	SEAT, NOZZLE	3							
25	2	119625-11900	RETAINER, NOZZLE	3							
26	1	119865-11210	SUPPORT ASSY	1							
27	2	119810-11240	SHAFT ASSY, ROCKER	1							
30	2	129155-11260	SUPPORT, ROCKER ARM	2							
31	2	129155-11270	SUPPORT, ROCKER ARM	2							
32	2	129150-11280	SPRING	3							
33	2	719810-11660	ARM ASSY, ROCKER	6							
34	3	129150-11230	SCREW, VALVE ADJUST	6							
36	3	129150-11750	NUT, M8	6							
37	2	26226-080182	STUD, M8X 18	3							
38	1	26106-080252	BOLT, M8X 25 PLATED	2							
39	1	26106-080502	BOLT, M8X 50 PLATED	6							
40	1	719810-11520	BONNET ASSY, HEAD	1							
42	2	129150-03020	COVER, BREATHER	1							
43	2	129150-03070	BAFFLE, BREATHER	1							
44	2	129150-03080	PLATE, BAFFLE	1							
47	2	119865-11310	GASKET, BONNET	1							
49	2	24341-000500	O-RING, 1AS50.0	1							
50	2	26106-080162	BOLT, M8X 16 PLATED	2							
51	1	124160-11360	KNOB	3							
52	1	24311-000120	O-RING, 1AP12.0	3							
53	1	22351-060012	PIN, SPRING 6.0X12	2							
54	1	26366-060002	NUT, M6	6							
55	1	124160-01751	COVER, FILLER	1							
56	1	24311-000320	O-RING, 1AP32.0	1							

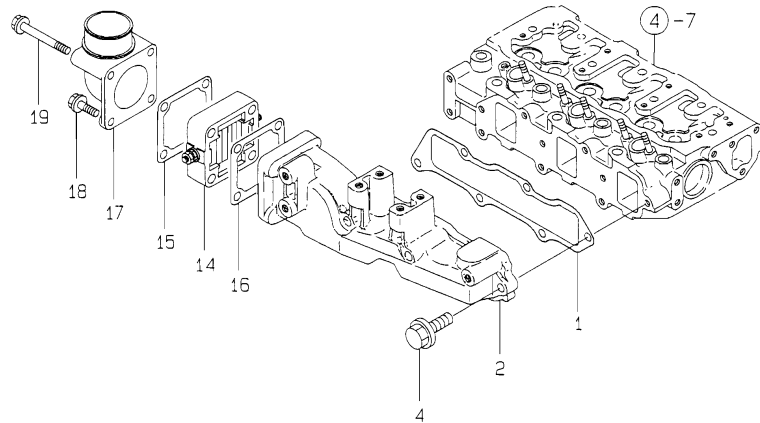
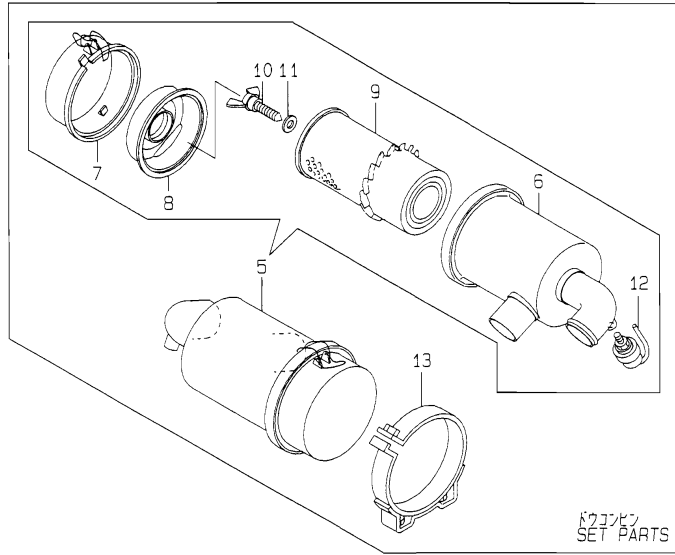
Remarks

(1) REPAIR PART.

N:Old $\xrightarrow{\text{Yes}}$ New, Q:Old $\xrightarrow{\text{No}}$ New, R:Old $\xrightarrow{\text{Yes}}$ New, S:Old $\xrightarrow{\text{No}}$ New, W:Add, Z:Discontinued, F:Interchangeable by set, K:Q'ty Change

Fig.5. SUCTION MANIFOLD & AIR CLEANER

Y00D5740
3TNE82A-YB



(A)=3TNE82A-YB

(B)=

(C)=

(D)=

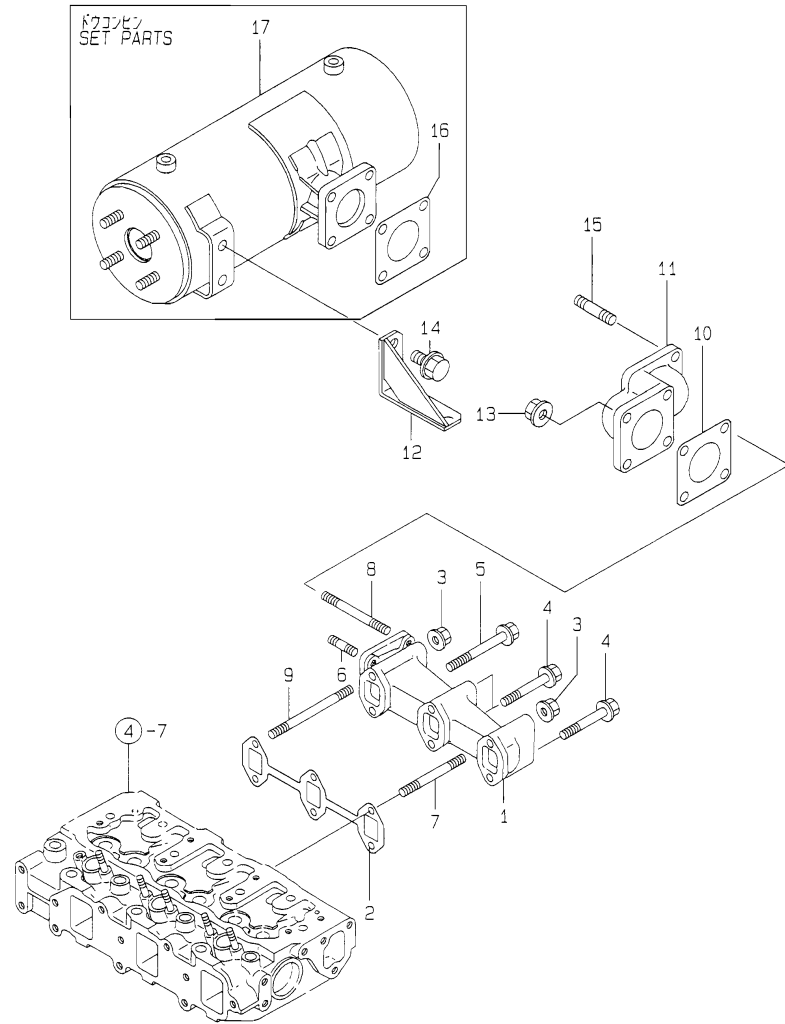
(E)=

(F)=

No.	Lev.	Parts No.	Description	Q'ty						I	R
				(A)	(B)	(C)	(D)	(E)	(F)		
1	1	119813-12110	GASKET, MANIFOLD	1							
2	1	119813-12100	MANIFOLD, AIR INTAKE	1							
4	1	26106-080252	BOLT, M8X 25 PLATED	6							
5	1	119869-12520	CLEANER ASSY, AIR	1							
6	2	119869-12650	CASE ASSY	1							
7	2	129350-12660	PAN ASSY, DUST	1							
8	2	121120-12541	RETAINER, ELEMENT	1							
9	2	129350-12900	ELEMENT	1							
10	2	121120-12561	BOLT	1							
11	2	121120-12571	WASHER, SEAL	1							
12	2	121262-12800	INDICATOR	1							
13	1	170903-12560	BAND, AIR CLEANER	1							
14	1	129100-77500	HEATER, AIR 12V	1							
15	1	129100-77510	GASKET, AIR HEATER	1							
16	1	129150-77511	GASKET	1							
17	1	171340-77520	BEND	1							
18	1	26106-080402	BOLT, M8X 40 PLATED	2							
19	1	26106-080802	BOLT, M8X 80 PLATED	2							

Fig.6. EXHAUST MANIFOLD & SILENCER

Y00D5740
3TNE82A-YB



(A)=3TNE82A-YB
(B)=
(C)=

(D)=
(E)=
(F)=

No.	Lev.	Parts No.	Description	Q'ty						I	R
				(A)	(B)	(C)	(D)	(E)	(F)		
1	1	119840-13100	MANIFOLD, EXHAUST	1							
2	1	119810-13110	GASKET	1							
3	1	194990-22050	NUT, M8	2							
4	1	26106-080602	BOLT, M8X 60 PLATED	3							
5	1	26106-080802	BOLT, M8X 80 PLATED	1							
6	1	26216-080222	STUD, M8X 22	2							
7	1	26216-080602	STUD, M8X 60	1							
8	1	26216-080702	STUD, M8X 70	2							
9	1	26216-080802	STUD, M8X 80	1							
10	1	124701-11911	GASKET, SILENCER	1							
11	1	119840-13150	PIPE	1							
12	1	119840-13650	STAY, SILENCER	1							
13	1	194990-22050	NUT, M8	2							
14	1	26106-100162	BOLT, M10X 16 PLATED	2							
15	1	26216-080222	STUD, M8X 22	2							
16	1	124701-11911	GASKET, SILENCER	2							
17	1	119640-13510	SILENCER	1							

Fig.7. CAMSHAFT & DRIVING GEAR

(A)=3TNE82A-YB

(B)=

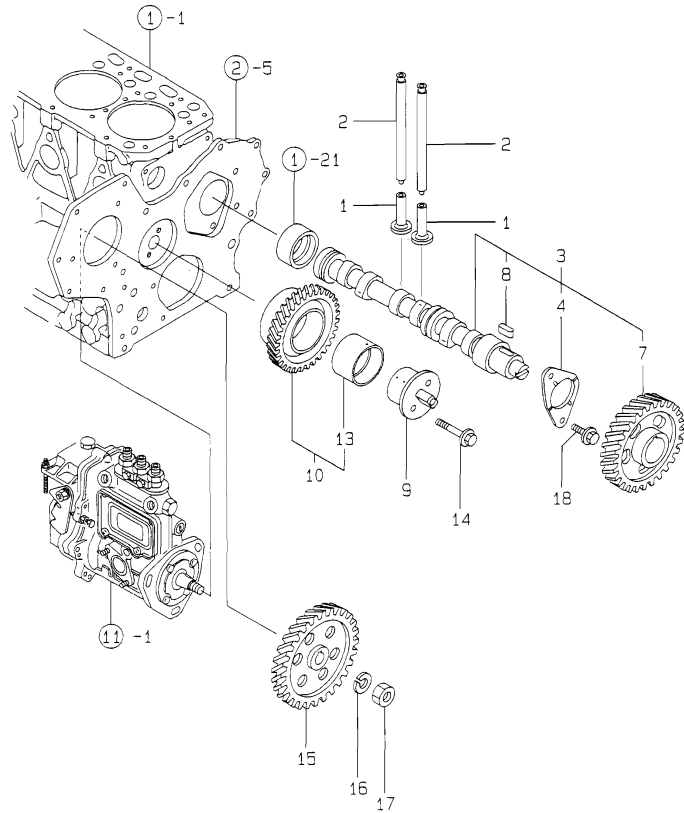
(C)=

(D)=

(E)=

(F)=

Y00D5740
3TNE82A-YB



No.	Lev.	Parts No.	Description	Q'ty						I	R
				(A)	(B)	(C)	(D)	(E)	(F)		
1	1	129150-14200	TAPPET	6							
2	1	119810-14400	ROD, PUSH	6							
3	1	119810-14580	CAMSHAFT ASSY	1							
4	2	129150-02450	BEARING, THRUST	1							
7	2	129150-14101	GEAR, CAMSHAFT	1							
8	2	22512-070140	KEY, 7X 14	1							
9	1	129100-25061	SHAFT, IDLE	1							
10	1	129150-25101	GEAR ASSY, IDLE	1							
13	2	129150-25920	BUSH, IDLE GEAR	1							1
14	1	26106-080452	BOLT, M8X 45 PLATED	2							
15	1	129150-25900	GEAR, PUMP	1							
16	1	22217-120000	WASHER, SPRING 12	1							
17	1	26716-120002	NUT, M12	1							
18	1	26106-080162	BOLT, M8X 16 PLATED	2							

Remarks

(1) REPAIR PART.

Fig.8. CRANKSHAFT & PISTON

(A)=3TNE82A-YB

(B)=

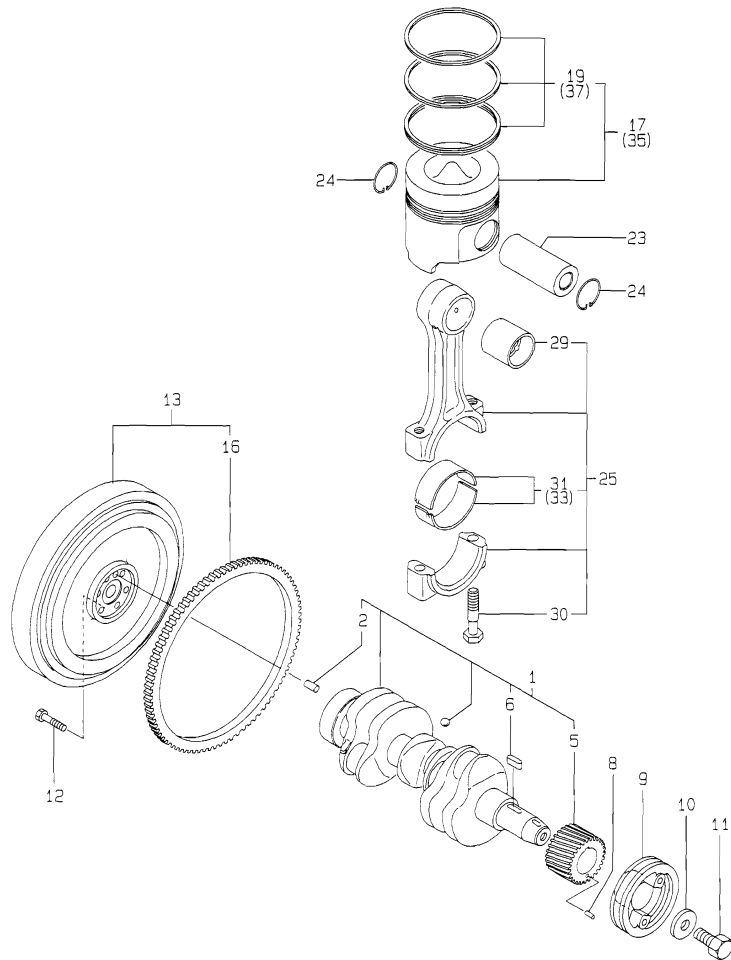
(C)=

(D)=

(E)=

(F)=

Y00D5740
3TNE82A-YB



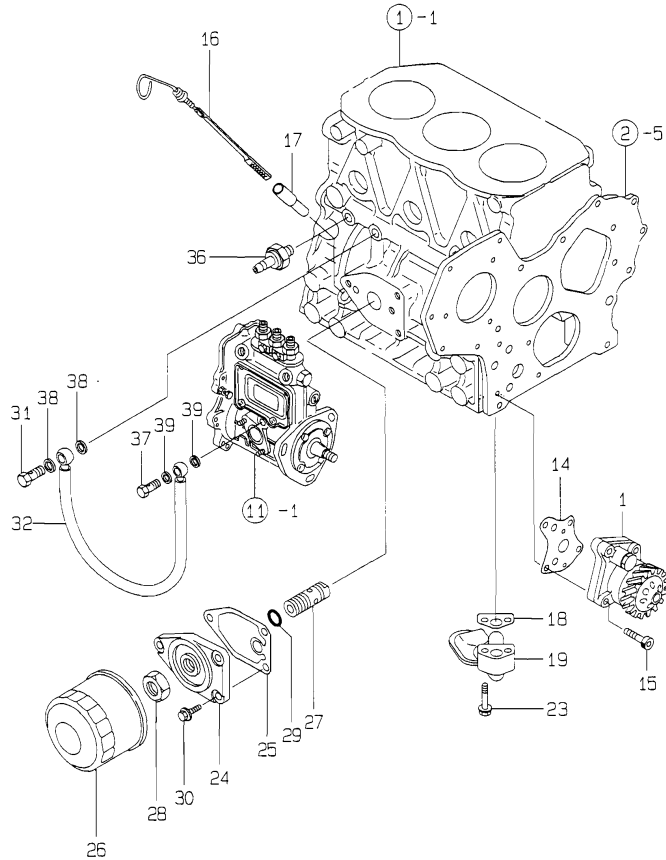
No.	Lev.	Parts No.	Description	Q'ty						I	R
				(A)	(B)	(C)	(D)	(E)	(F)		
1	1	119813-21000	CRANKSHAFT ASSY	1							
2	2	129100-01580	PIN, M8X16	1							
5	2	129150-21200	GEAR, CRANKSHAFT	1							
6	2	22512-070140	KEY, 7X 14	1							
8	1	22351-040010	PIN, SPRING 4.0X10	1							
9	1	129550-21650	V-PULLEY	1							
10	1	129795-21661	WASHER	1							
11	1	121850-21680	BOLT	1							
12	1	121111-21501	BOLT, FLYWHEEL	6							
13	1	171325-21590	FLYWHEEL ASSY	1							
16	2	119865-21600	GEAR, RING	1							
17	1	119813-22080	PISTON ASSY	3							
19	2	119813-22500	RING SET, PISTON	3							
23	1	119813-22300	PIN, PISTON	3							
24	1	129792-22400	CIRCLIP, 23	6							
25	1	719810-23100	ROD ASSY, CONNECTING	3							
29	2	119810-23910	BEARING, PISTON PIN	3							1
30	2	119810-23200	BOLT, CONNECTING ROD	6							
31	2	119810-23600	BEARING, CRANK PIN	3							
33	1	119810-23610	BEARING, 0.25 US	3							2
35	1	119813-22900	PISTON ASSY, 0.25 OS	3							3
37	2	129003-22950	RING SET, 0.25 OS	3							3

Remarks

- (1) REPAIR PART.
- (2) UNDER-SIZE(U.S=0.25)PART.
- (3) OVER-SIZE(O.S=0.25)PART.

Fig.9. LUB.OIL SYSTEM

Y0005740
3TNE82A-YB



(A)=3TNE82A-YB
(B)=
(C)=

(D)=
(E)=
(F)=

No.	Lev.	Parts No.	Description	Q'ty						I	R
				(A)	(B)	(C)	(D)	(E)	(F)		
1	1	129001-32001	PUMP ASSY, OIL	1							
14	1	129150-32020	GASKET, PUMP	1							
15	1	26450-060252	BOLT, M6X 25	4							
16	1	119640-34800	DIPSTICK, OIL	1							
17	1	121520-34810	GUIDE, DIPSTICK	1							
18	1	129150-35041	GASKET	1							
19	1	119810-35401	PIPE ASSY, OIL INLET	1							
23	1	26106-080352	BOLT, M8X 35 PLATED	2							
24	1	129150-35101	BRACKET, STRAINER	1							
25	1	129150-35111	GASKET	1							
26	1	129150-35151	FILTER, D80XL80	1							
27	1	129001-35300	BOLT, FILTER	1							
28	1	129150-35350	NUT	1							
29	1	24311-000160	O-RING, 1AP16.0	1							
30	1	26106-080202	BOLT, M8X 20 PLATED	3							
31	1	124160-39140	BOLT, PIPE JOINT M10	1							
32	1	119810-39200	PIPE ASSY, OIL	1							
36	1	124160-39450	SWITCH, 0.5KG	1							
37	1	124550-59820	BOLT, PIPE JOINT M8	1							
38	1	23414-100000	GASKET, 10X1.0	2							
39	1	22190-080002	WASHER, SEAL 6	2							

Fig.10. COOLING WATER SYSTEM

(A)=3TNE82A-YB

(B)=

(C)=

(D)=

(E)=

(F)=

No.	Lev.	Parts No.	Description	Q'ty						I	R
				(A)	(B)	(C)	(D)	(E)	(F)		
1	1	119810-42001	PUMP ASSY, WATER	1							
11	2	129150-42320	O-RING	1							
12	2	23871-030000	PLUG, R03	2							
14	1	129150-42020	GASKET, WATER PUMP	1							
15	1	26106-080352	BOLT, M8X 35 PLATED	1							
16	1	26106-080552	BOLT, M8X 55 PLATED	3							
17	1	25132-003900	V-BELT, A39	1							
18	1	129403-42380	V-PULLEY, D=110	1							
19	1	171340-44740	FAN, COOLING D335XNF	1							
20	1	171353-44760	SPACER, FAN	1							
21	1	26106-060352	BOLT, M6X 35 PLATED	4							
22	1	129350-49530	COVER, THERMOSTAT	1							
23	1	129795-49551	GASKET	1							
24	1	129155-49800	THERMOSTAT, 71	1							
25	1	129150-49811	GASKET, THERMOSTAT	1							
26	1	26106-080202	BOLT, M8X 20 PLATED	2							
27	1	121250-44901	SWITCH, 110	1							
28	1	124465-44950	GASKET, 16	1							
29	1	124250-49351	SENSOR	1							
30	1	129150-49360	GASKET	1							
31	1	119869-44530	RADIATOR	1							
32	2	119259-44570	CAP, RADIATOR	1							
33	1	124450-44550	BAND	1							
34	1	121256-44600	BRACKET, SUB TANK	1							
35	1	171056-49120	PLUG, DRAIN	1							
36	1	124450-44510	TANK ASSY, SUB	1							
38	2	124450-44530	CAP	1							
39	2	124450-44560	RETAINER	1							
40	2	23061-070230	PIPE, 7X 230	1							
41	1	129550-49100	COCK ASSY, 2-WAY	1							
42	2	129150-49080	COCK, DRAIN	1							
46	1	124738-49150	PIPE, DRAIN L=300	1							

Y0005740
3TNE82A-YB

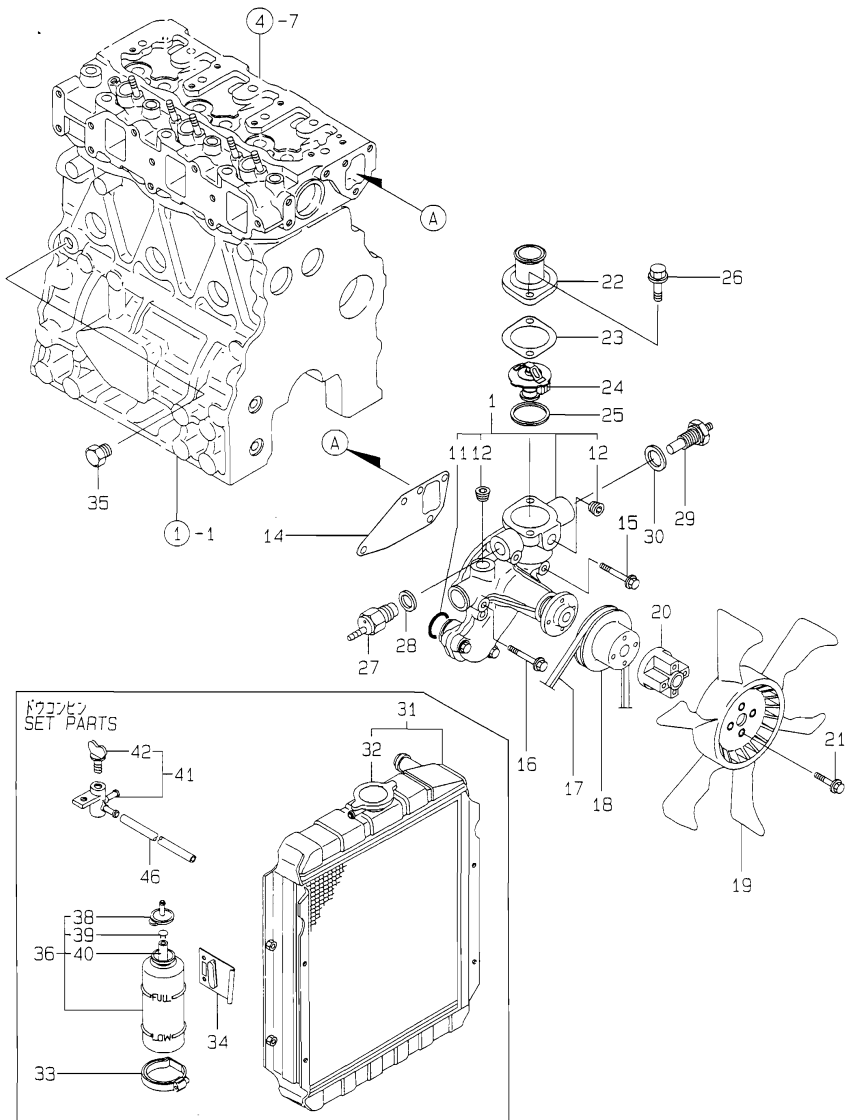


Fig.11. FUEL INJECTION PUMP

(A)=3TNE82A-YB

(B)=

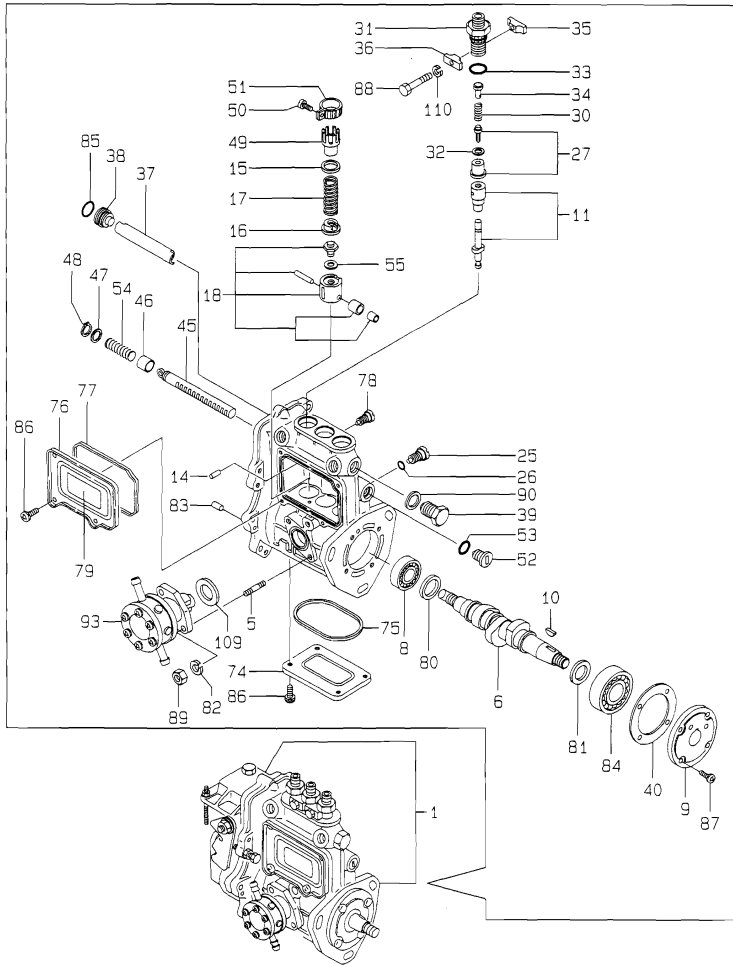
(C)=

(D)=

(E)=

(F)=

Y0005740
3TNE82A-YB



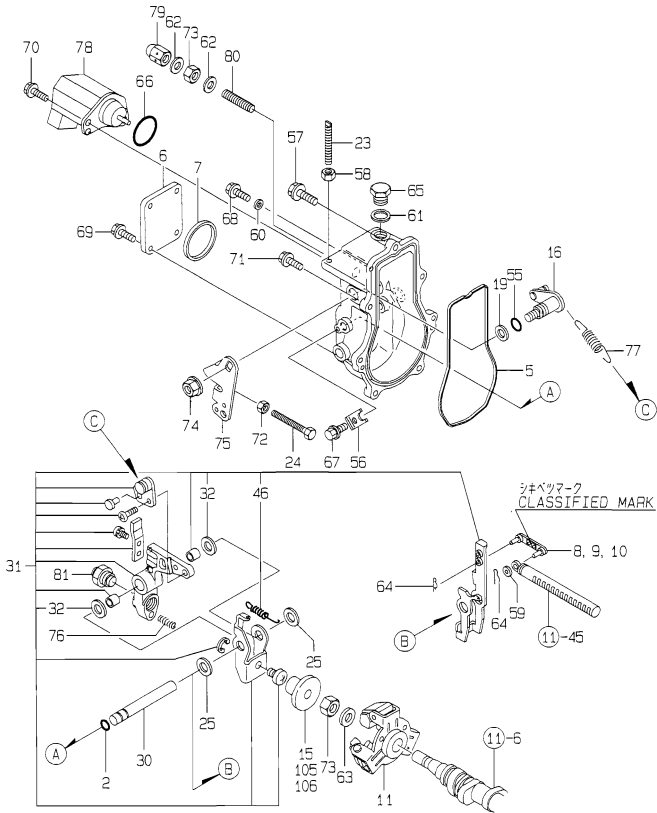
No.	Lev.	Parts No.	Description	Q'ty						I	R
				(A)	(B)	(C)	(D)	(E)	(F)		
1	1	719910-51350	PUMP ASSY, INJECTION	1							1
5	2	129155-51020	STUD	2							
6	2	119810-51040	CAMSHAFT	1							
8	2	129155-51050	BEARING, 17BM001D	1							
9	2	129155-51060	SUPPORT, CAMSHAFT	1							
10	2	122710-51090	KEY	1							
11	2	129108-51100	PLUNGER ASSY	3							
14	2	129155-51140	PIN	3							
15	2	174307-51170	RETAINER, SPRING A	3							
16	2	129155-51180	RETAINER, SPRING	3							
17	2	124950-51190	SPRING, PLUNGER	3							
18	2	129155-51200	TAPPET ASSY	3							
25	2	129155-51270	STOPPER, TAPPET	3							
26	2	129155-51280	O-RING, S6	3							
27	2	129505-51300	VALVE ASSY, DELIVERY	3							
30	2	129155-51320	SPRING, DELIVERY	3							
31	2	129155-51340	RETAINER	3							
32	2	124550-51350	GASKET, DELIVERY	3							
33	2	124550-51370	O-RING	3							
34	2	129155-51370	STOPPER, VALVE	3							
35	2	129155-51380	STOPPER	2							
36	2	129155-51390	STOPPER	2							
37	2	129155-51400	DEFLECTOR	1							
38	2	129155-51410	BOLT	1							
39	2	129155-51420	PLUG, M16	1							
40	2	129155-51450	SHIM SET, ADJUSTING	1							
45	2	129155-51500	RACK, CONTROL	1							
46	2	129155-51521	BUSH, RACK	1							
47	2	129155-51530	SPACER	1							
48	2	129155-51540	CIRCLIP	1							
49	2	129155-51550	PINION, CONTROL	3							
50	2	122117-51560	SCREW	3							
51	2	174307-51560	PINION	3							
52	2	129155-51570	PLUG, M12	1							
53	2	129155-51580	O-RING	1							
54	2	129155-51591	SPRING, RACK	1							
55	2	129155-51600	SHIM SET, ADJUSTING	3							
74	2	129155-51700	COVER	1							
75	2	129155-51710	GASKET	1							
76	2	129155-51750	COVER	1							
77	2	129155-51760	GASKET	1							
78	2	129155-51790	STOOPER, RACK	1							
79	2	129156-51910	LABEL, CAUTION	1							
80	2	129155-51930	SPACER, T=3.25	1							
81	2	129155-51940	SPACER, T=1.5	1							
82	2	22217-060000	WASHER, SPRING 6	2							
83	2	22351-050010	PIN, SPRING 5.0X10	2							
84	2	24101-063034	BEARING, BALL 6303	1							
85	2	24341-000160	O-RING, 1AS16.0	1							
86	2	26022-050102	SCREW, M5X10	8							
87	2	26022-060162	SCREW, M6X16	4							

Remarks

(1) GOVERNOR(FIG.12) IS INCORPORATED IN THIS FUEL INJECTION PUMP ASSY (REF.NO.1).

Fig.12. GOVERNOR

Y0005740
3TNE82A-YB



(A)=3TNE82A-YB

(B)=

(C)=

(D)=

(E)=

(F)=

No.	Lev.	Parts No.	Description	Q'ty						I	R
				(A)	(B)	(C)	(D)	(E)	(F)		
2	2	129155-51280	O-RING, S6	1							
5	2	129052-61050	GASKET	1							
6	2	129052-61060	COVER, GOVERNOR CASE	1							
7	2	129052-61070	GASKET	1							
8	2	129155-61120	LINK, L=30 MARK 0	1							1
9	2	129155-61130	LINK, L=31 MARK 1	1							1
10	2	129155-61140	LINK, L=30.5 MARK 05	1							1
11	2	129155-61201	WEIGHT ASSY,GOVERNOR	1							
15	2	129155-61341	SLEEVE	1							2
16	2	129100-61400	SHAFT ASSY	1							
19	2	129155-61430	SPACER	1							
23	2	129155-61450	BOLT, LIMITER	1							
24	2	129155-61460	BOLT, IDLE	1							
25	2	129155-61480	SPACER ASSY	2							
30	2	129052-61390	SHAFT	1							
31	2	129052-61500	LEVER ASSY, GOVERNOR	1							
32	3	174307-51700	SHIM SET	2							
46	3	129052-61540	SPRING, SET	1							
55	2	129155-61830	O-RING, S10	1							
56	2	119660-61901	RETAINER, SHAFT	1							
57	2	129155-61950	BOLT	1							
58	2	124550-66370	NUT, M6	1							
59	2	22117-040000	WASHER, 4	1							
60	2	22190-060002	WASHER, SEAL 6	1							
61	2	22190-100002	WASHER, SEAL 10	1							
62	2	22190-120002	WASHER, SEAL 12	2							
63	2	22287-120000	WASHER, 12	1							
64	2	22372-040000	PIN, SNAP 4	2							
65	2	23887-100002	PLUG, 10	1							
66	2	24341-000280	O-RING, 1AS28.0	1							
66-1	2	158552-61900	O-RING	1							N
		(A=EXXXXX)									
67	2	26106-060102	BOLT, M6X 10 PLATED	1							
68	2	26106-060102	BOLT, M6X 10 PLATED	1							
69	2	26106-060102	BOLT, M6X 10 PLATED	4							
70	2	26106-060142	BOLT, M6X 14 PLATED	2							
71	2	26106-060202	BOLT, M6X 20 PLATED	6							
72	2	26756-060002	NUT, LOCK M6	1							
73	2	26776-120002	NUT, LOCK M12	2							
74	2	26366-080002	NUT, M8	1							
75	2	129100-61440	LEVER, CONTROL	1							
76	2	129100-61650	SPRING, CONTROLLER	1							
77	2	171353-61710	SPRING, GOVERNOR	1							
78	2	119285-77950	SOLENOID	1							
79	2	26687-120002	NUT, CAP M12	1							
80	2	129155-61470	BOLT, CONTROL	1							
81	2	171353-61550	ANGLEICH ASSY	1							
105	2	129155-61350	SLEEVE, L=24.9	1							2
106	2	129155-61360	SLEEVE, L=25.2	1							2

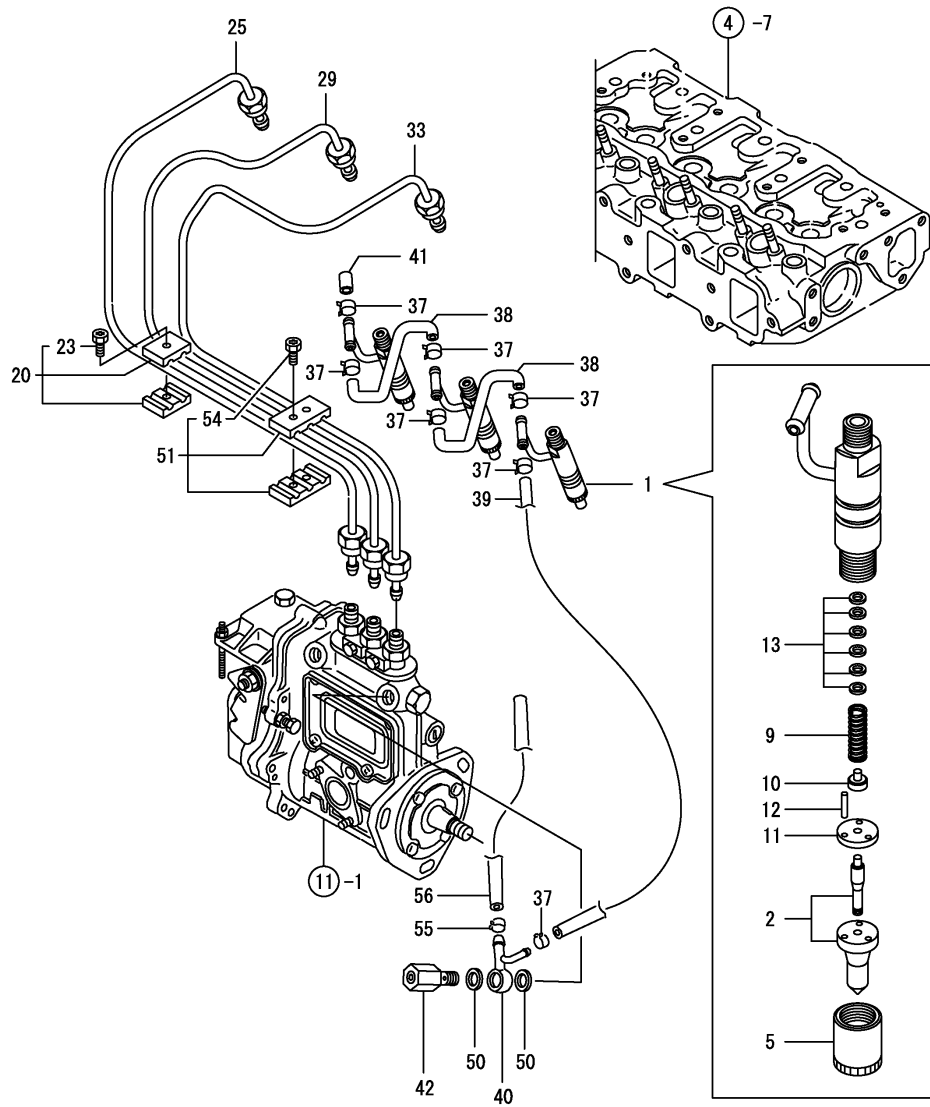
Remarks

(1) SELECTIVE PARTS: CERTAIN THE CLASSIFICATION MARK, THEN PLACE YOUR ORDER.(REFER TO ILLUSTRATION).

(2) SELECTIVE PARTS.

* THIS FIGURE(GOVERNOR ASSY) IS INCORPORATED IN THE FUEL INJECTION PUMP ASSY(FIG.11).

Fig.13. FUEL INJECTION VALVE



(A)=3TNE82A-YB

(B)=

(C)=

(D)=

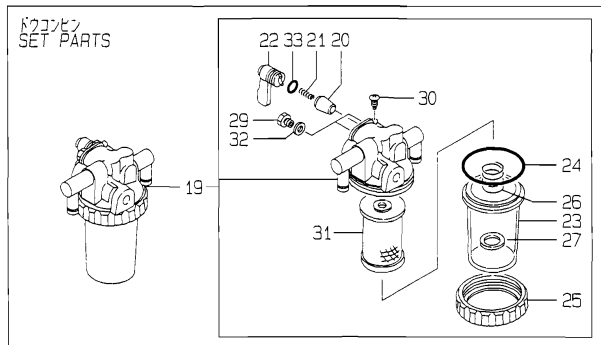
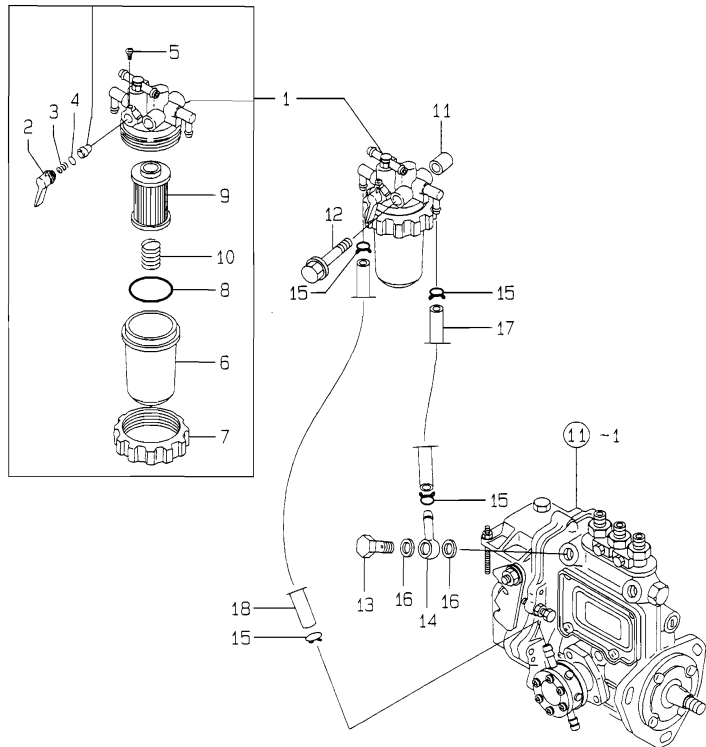
(E)=

(F)=

No.	Lev.	Parts No.	Description	Q'ty						I	R
				(A)	(B)	(C)	(D)	(E)	(F)		
1	1	729500-53200	VALVE ASSY,INJECTION	3							
2	2	129500-53050	VALVE ASSY,INJECTION	3							
5	2	114250-53080	NUT, NOZZLE D16.95	3							
9	2	114250-53120	SPRING, NOZZLE	3							
10	2	114250-53130	SEAT, SPRING	3							
11	2	114250-53140	PLATE	3							
12	2	114250-53210	PIN	6							
13	2	114250-53400	SHIM SET	3							
20	1	119305-59120	RETAINER, PIPE	1							
23	2	129150-59131	BOLT, M4X14	1							
25	1	119813-59811	PIPE ASSY, INJECTION	1							
29	1	119813-59821	PIPE ASSY, INJECTION	1							
33	1	119813-59831	PIPE ASSY, INJECTION	1							
37	1	124066-59100	CLIP, HOSE 8	7							
38	1	121250-59550	PIPE, FUEL D8X120	2							
39	1	119840-59560	PIPE, FUEL RETURN	1							
40	1	119840-59570	JOINT	1							
41	1	129150-59580	CAP	1							
42	1	129100-59951	VALVE ASSY, CHECK	1							
50	1	23414-120000	GASKET, 12X1.0	2							
51	1	129150-59120	RETAINER, PIPE	1							
54	2	129150-59131	BOLT, M4X14	2							
55	1	124766-59050	CLIP, HOSE 12	2							
56	1	129255-59580	PIPE, FUEL	1							

Fig.14. FUEL LINE

Y00D5740
3TNE82A-YB



(A)=3TNE82A-YB

(B)=

(C)=

(D)=

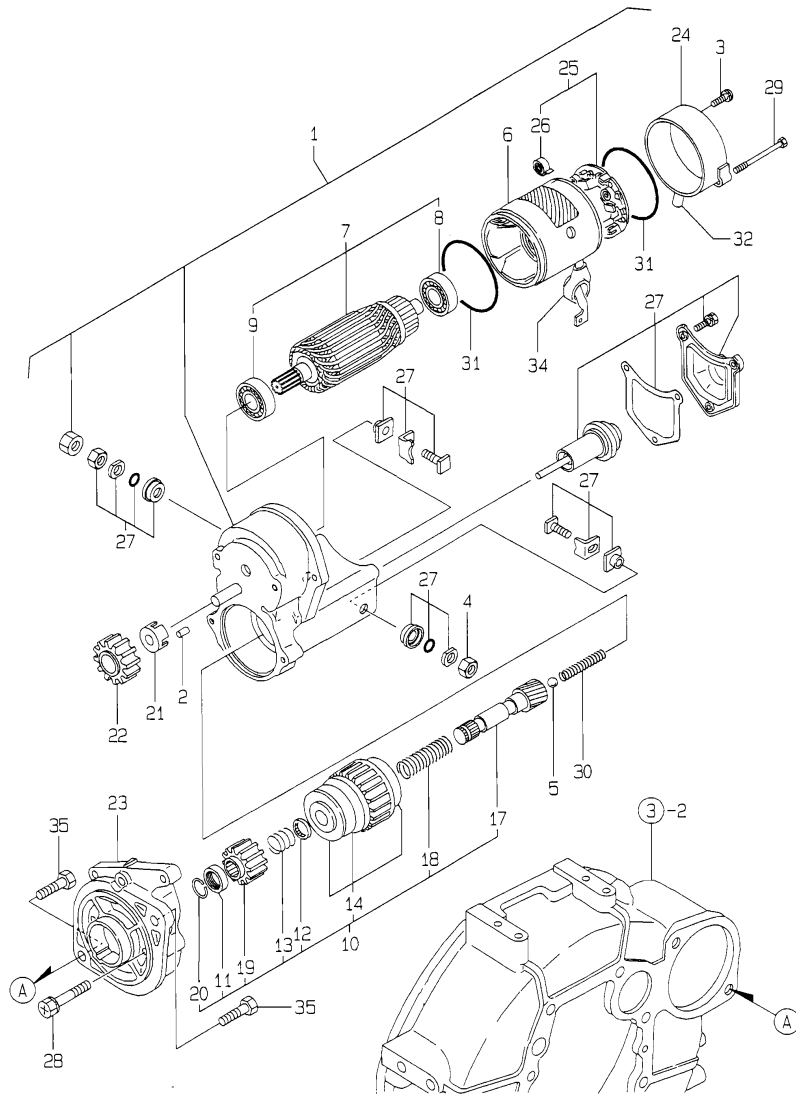
(E)=

(F)=

No.	Lev.	Parts No.	Description	Q'ty						I	R
				(A)	(B)	(C)	(D)	(E)	(F)		
1	1	119833-55620	FILTER ASSY, FUEL	1							
2	2	119810-55340	LEVER	1							
3	2	104200-55330	SPRING, VALVE	1							
4	2	24311-240100	O-RING, 1AP10A	1							
5	2	104200-55750	SCREW, M4	1							
6	2	121254-55510	COVER	1							
7	2	110250-55610	RING, RETAINING	1							
8	2	102103-55520	O-RING	1							
9	2	119810-55650	ELEMENT	1							
10	2	121250-55620	SPRING	1							
11	1	129411-55690	SPACER	1							
12	1	26014-080852	BOLT, M8X 85	1							
13	1	103854-39140	BOLT, PIPE JOINT	1							
14	1	101304-59020	JOINT, PIPE 12	1							
15	1	124766-59050	CLIP, HOSE 12	4							
16	1	22190-120002	WASHER, SEAL 12	2							
17	1	129555-59510	PIPE, D13/7.5X180	1							
18	1	129255-59580	PIPE, FUEL	1							
19	1	129335-55700	SEPARATOR ASSY,WATER	1							
20	2	104200-55321	VALVE, TAPER	1							
21	2	104200-55330	SPRING, VALVE	1							
22	2	104200-55341	HANDLE	1							
23	2	124064-55510	COVER	1							
24	2	102103-55520	O-RING	1							
25	2	110250-55610	RING, RETAINING	1							
26	2	121257-55720	SPRING	1							
27	2	121257-55731	FLOAT	1							
29	2	101720-55750	PLUG, 6	2							
30	2	104200-55750	SCREW, M4	1							
31	2	171081-55910	SCREEN	1							
32	2	23418-060000	GASKET, 6X1.0	2							
33	2	24311-240100	O-RING, 1AP10A	1							

Fig.15. STARTING MOTOR

Y0005740
3TNE82A-YB



(A)=3TNE82A-YB

(B)=

(C)=

(D)=

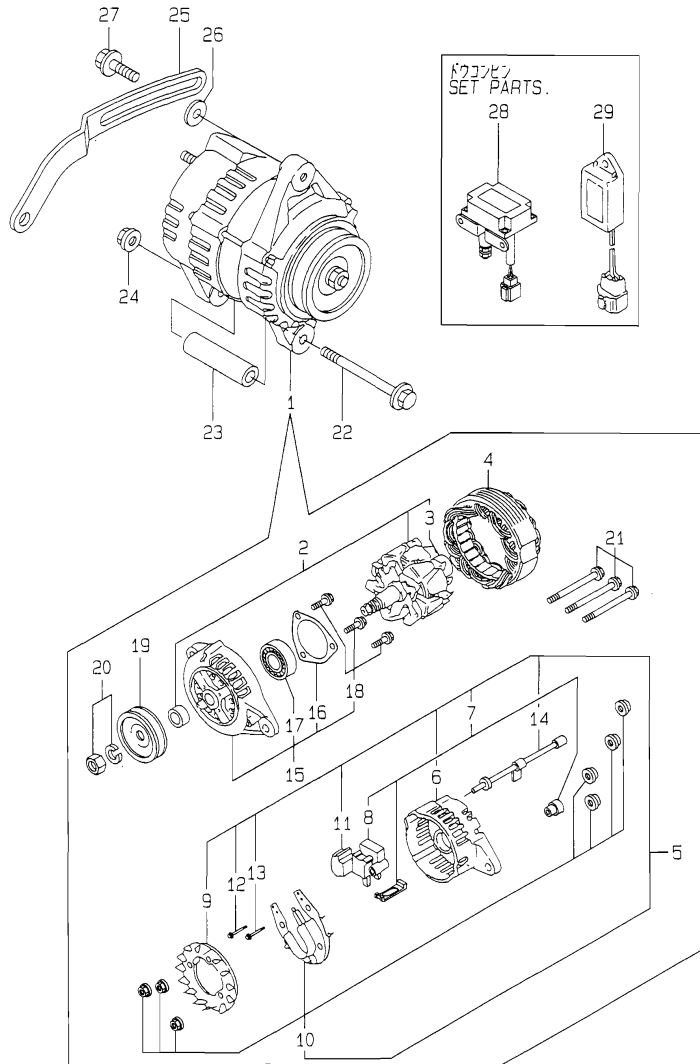
(E)=

(F)=

No.	Lev.	Parts No.	Description	Q'ty						I	R
				(A)	(B)	(C)	(D)	(E)	(F)		
1	1	129129-77010	STARTER ASSY	1							
2	2	X0283060061	ROLLER	5							
3	2	X0289030010	SCREW	2							
4	2	X9490561370	NUT	1							
5	2	X9491200240	BALL	1							
6	2	129129-77210	YOKE ASSY	1							
7	2	129129-77220	ARMATURE ASSY	1							
8	3	129129-77230	BEARING	1							
9	3	129129-77240	BEARING	1							
10	2	129129-77250	STARTER	1							
11	3	X0280210230	NUT	1							
12	3	X0283270140	RETAINER	1							
13	3	X9491703371	SPRING, COIL	1							
14	3	129129-77390	CLUTCH ASSY, STARTER	1							
17	3	129129-77400	SHAFT	1							
18	3	129129-77410	SPRING, COIL	1							
19	3	129129-77420	PINION	1							
20	3	129129-77430	RING	1							
21	2	129129-77260	RETAINER	1							
22	2	129129-77270	PINION	1							
23	2	129129-77280	HOUSING	1							
24	2	129129-77290	FRAME	1							
25	2	129129-77300	HOLDER ASSY	1							
26	3	X9491730461	SPRING	4							
27	2	129129-77310	SWITCH ASSY	1							
28	2	129129-77320	BOLT	2							
29	2	129129-77330	BOLT	2							
30	2	129129-77340	SPRING	1							
31	2	129129-77350	O-RING	2							
32	2	129129-77361	BUSH	1							
34	2	129129-77380	CAP	1							
35	1	26116-120252	BOLT, M12X 25 PLATED	2							

Fig.16. GENERATOR

Y00D5740
3TNE82A-YB



(A)=3TNE82A-YB

(B)=

(C)=

(D)=

(E)=

(F)=

No.	Lev.	Parts No.	Description	Qty						I	R
				(A)	(B)	(C)	(D)	(E)	(F)		
1	1	119836-77200	GENERATOR	1							
2	2	119836-77700	ROTOR ASSY	1							
3	3	119836-77850	BALL BEARING	1							
4	2	119836-77710	STATOR ASSY	1							
5	2	119836-77721	COVER ASSY, REAR	1							
6	3	119836-77730	COVER, REAR	1							
7	3	119836-77741	BRUSH ASSY,REGULATOR	1							
8	4	119836-77750	BRUSH ASSY	1							
9	3	119836-77760	GUIDE, FAN SIDE	1							
10	3	119836-77770	DIODE ASSY	1							
11	3	119836-77780	CONDENSER	1							
12	3	119836-77871	BOLT (1)	1							
13	3	119836-77880	BOLT (2)	1							
14	3	119836-77890	WIRE ASSY, LEAD	1							
15	2	119836-77790	COVER ASSY, FRONT	1							
16	3	119836-77800	RETAINER, BEARING	1							
17	3	119836-77840	BALL BEARING	1							
18	3	119836-77860	SCREW KID	1							
19	2	119836-77810	PULLEY	1							
20	2	119836-77820	NUT ASSY, PULLEY	1							
21	2	119836-77830	BOLT, THROUGH	1							
22	1	129136-77250	BOLT M 8X105	1							
23	1	119820-77340	PIECE, DISTANCE	1							
24	1	26366-080002	NUT, M8	1							
25	1	129211-77330	ADJUSTER	1							
26	1	121236-77340	SPACER	1							
27	1	26014-080252	BOLT, M8X 25	1							
28	1	129136-77101	RELAY, SAFETY	1							
29	1	119632-77920	TIMER	1							
29-1	1	129211-77920	TIMER	1							N

(A=*FROM 1ST)

Fig.17. GASKET SET

(A)=3TNE82A-YB

(B)=

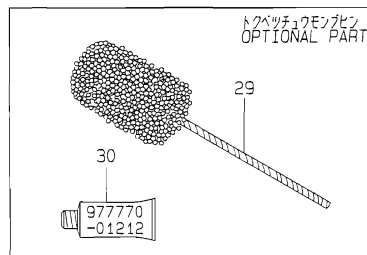
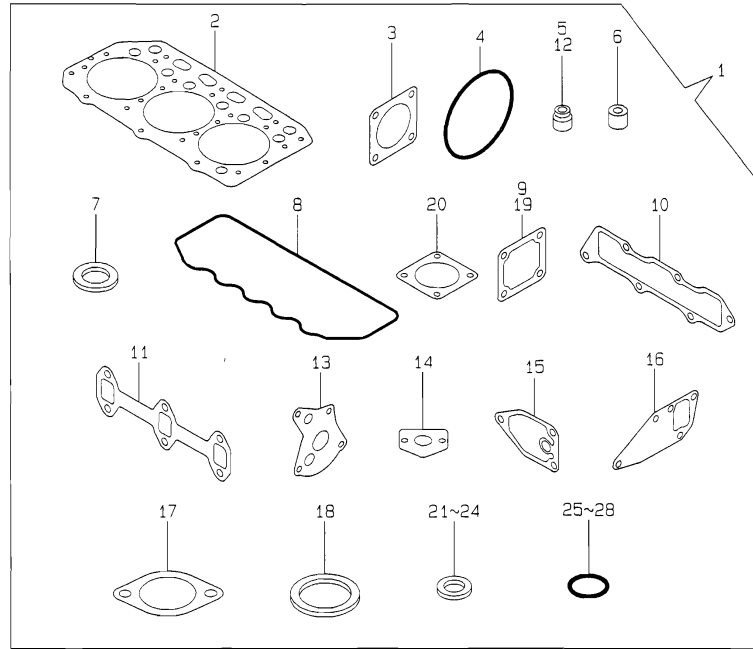
(C)=

(D)=

(E)=

(F)=

Y00D5740
3TNE82A-YB



No.	Lev.	Parts No.	Description	Q'ty						I	R
				(A)	(B)	(C)	(D)	(E)	(F)		
1	1	719812-92630	GASKET SET	1							1
2	2	119812-01330	GASKET, HEAD	1							
3	2	124240-01883	GASKET	1							
4	2	121850-51960	O-RING	1							
5	2	124160-11340	SEAL, VALVE STEM	3							
6	2	119625-11871	PROTECTOR, NOZZLE	3							
7	2	119625-11880	SEAT, NOZZLE	3							
8	2	119865-11310	GASKET, BONNET	1							
9	2	129150-77511	GASKET	1							
10	2	119813-12110	GASKET, MANIFOLD	1							
11	2	119810-13110	GASKET	1							
12	2	124950-11340	SEAL, VALVE STEM	3							
13	2	129150-32020	GASKET, PUMP	1							
14	2	129150-35041	GASKET	1							
15	2	129150-35111	GASKET	1							
16	2	129150-42020	GASKET, WATER PUMP	1							
17	2	129795-49551	GASKET	1							
18	2	129150-49811	GASKET, THERMOSTAT	1							
19	2	129100-77510	GASKET, AIR HEATER	1							
20	2	124701-11911	GASKET, SILENCER	3							
21	2	124465-44950	GASKET, 16	1							
22	2	129150-49360	GASKET	1							
23	2	22190-120002	WASHER, SEAL 12	2							
24	2	23414-120000	GASKET, 12X1.0	2							
25	2	24311-000120	O-RING, 1AP12.0	3							
26	2	24311-000160	O-RING, 1AP16.0	2							
27	2	24311-000320	O-RING, 1AP32.0	2							
28	2	24341-000240	O-RING, 1AS24.0	1							
29	1	129400-92420	FLEX HORN	1							1
30	1	977770-01212	GASKET, LIQUID	1							1

Remarks

(1) OPTIONAL PART.

Parts No. Index

Parts No.	Fig. No.	Ref. No.
101304-59020	14	14
101720-55750	14	29
102103-55520	14	8
		24
103854-39140	14	13
104200-55321	14	20
104200-55330	14	3
		21
104200-55341	14	22
104200-55750	14	5
		30
104211-11180	4	18
104211-11370	4	22
110250-55610	14	7
		25
114250-53080	13	5
114250-53120	13	9
114250-53130	13	10
114250-53140	13	11
114250-53210	13	12
114250-53400	13	13
119259-44570	10	32
119285-77950	12	78
119305-59120	13	20
119620-01750	3	3
119620-02020	1	7
119625-11871	4	23
	17	6
119625-11880	4	24
	17	7
119625-11900	4	25
119632-77920	16	29
119640-01640	3	9
119640-13510	6	17
119640-34800	9	16
119660-61901	12	56
119810-01200	1	22
119810-01730	3	6
119810-01780	3	17
119810-01790	3	8
119810-02870	1	24
119810-02940	1	27
119810-11100	4	15
119810-11110	4	16
119810-11120	4	17
119810-11240	4	27
119810-13110	6	2
	17	11
119810-14400	7	2
119810-14580	7	3

Parts No.	Fig. No.	Ref. No.
119810-23200	8	30
119810-23600	8	31
119810-23610	8	33
119810-23910	8	29
119810-35401	9	19
119810-39200	9	32
119810-42001	10	1
119810-51040	11	6
119810-55340	14	2
119810-55650	14	9
119812-01330	1	23
	17	2
119812-11700	4	7
119813-12100	5	2
119813-12110	5	1
	17	10
119813-21000	8	1
119813-22080	8	17
119813-22300	8	23
119813-22500	8	19
119813-22900	8	35
119813-59811	13	25
119813-59821	13	29
119813-59831	13	33
119820-77340	16	23
119833-55620	14	1
119836-77200	16	1
119836-77700	16	2
119836-77710	16	4
119836-77721	16	5
119836-77730	16	6
119836-77741	16	7
119836-77750	16	8
119836-77760	16	9
119836-77770	16	10
119836-77780	16	11
119836-77790	16	15
119836-77800	16	16
119836-77810	16	19
119836-77820	16	20
119836-77830	16	21
119836-77840	16	17
119836-77850	16	3
119836-77860	16	18
119836-77871	16	12
119836-77880	16	13
119836-77890	16	14
119840-13100	6	1
119840-13150	6	11
119840-13650	6	12

Parts No.	Fig. No.	Ref. No.
119840-59560	13	39
119840-59570	13	40
119865-11210	4	26
119865-11310	4	47
	17	8
119865-21600	8	16
119869-12520	5	5
119869-12650	5	6
119869-44530	10	31
121023-01550	2	25
121111-21501	8	12
121120-12541	5	8
121120-12561	5	10
121120-12571	5	11
121236-77340	16	26
121250-44901	10	27
121250-55620	14	10
121250-59550	13	38
121254-55510	14	6
121256-44600	10	34
121257-55720	14	26
121257-55731	14	27
121262-12800	5	12
121450-01560	2	6
121520-34810	9	17
121850-21680	8	11
121850-51960	2	12
	17	4
122117-51560	11	50
122710-51090	11	10
124060-11800	4	11
124064-55510	14	23
124066-59100	13	37
124160-01751	2	7
	4	55
124160-01910	1	5
124160-11340	4	20
	17	5
124160-11360	4	51
124160-39140	9	31
124160-39450	9	36
124240-01871	2	8
124240-01883	2	9
	17	3
124250-49351	10	29
124450-44510	10	36
124450-44530	10	38
124450-44550	10	33
124450-44560	10	39
124465-44950	10	28

Parts No.	Fig. No.	Ref. No.
124465-44950	17	21
124550-51350	11	32
124550-51370	11	33
124550-59820	9	37
124550-66370	12	58
124701-11911	6	10
		16
	17	20
124736-07900	4	5
124738-49150	10	46
124766-59050	13	55
	14	15
124950-11340	4	21
	17	12
124950-51190	11	17
129001-32001	9	1
129001-35300	9	27
129003-22950	8	37
129052-61050	12	5
129052-61060	12	6
129052-61070	12	7
129052-61390	12	30
129052-61500	12	31
129052-61540	12	46
129100-01580	3	1
		14
	8	2
129100-25061	7	9
129100-52100	11	93
129100-59951	13	42
129100-61400	12	16
129100-61440	12	75
129100-61650	12	76
129100-77500	5	14
129100-77510	5	15
	17	19
129108-51100	11	11
129129-77010	15	1
129129-77210	15	6
129129-77220	15	7
129129-77230	15	8
129129-77240	15	9
129129-77250	15	10
129129-77260	15	21
129129-77270	15	22
129129-77280	15	23
129129-77290	15	24
129129-77300	15	25
129129-77310	15	27
129129-77320	15	28

Parts No. Index

Parts No.	Fig. No.	Ref. No.
129129-77330	15	29
129129-77340	15	30
129129-77350	15	31
129129-77361	15	32
129129-77380	15	34
129129-77390	15	14
129129-77400	15	17
129129-77410	15	18
129129-77420	15	19
129129-77430	15	20
129136-77101	16	28
129136-77250	16	22
129150-02450	7	4
129150-03020	4	42
129150-03070	4	43
129150-03080	4	44
129150-03100	2	11
129150-11230	4	34
129150-11280	4	32
129150-11750	4	36
129150-14101	7	7
129150-14200	7	1
129150-21200	8	5
129150-25101	7	10
129150-25900	7	15
129150-25920	7	13
129150-32020	9	14
	17	13
129150-35041	9	18
	17	14
129150-35101	9	24
129150-35111	9	25
	17	15
129150-35151	9	26
129150-35350	9	28
129150-42020	10	14
	17	16
129150-42320	10	11
129150-49080	10	42
129150-49360	10	30
	17	22
129150-49811	10	25
	17	18
129150-59120	13	51
129150-59131	13	23
		54
129150-59580	13	41
129150-77511	5	16
	17	9
129155-11260	4	30

Parts No.	Fig. No.	Ref. No.
129155-11270	4	31
129155-49800	10	24
129155-51020	11	5
129155-51050	11	8
129155-51060	11	9
129155-51140	11	14
129155-51180	11	16
129155-51200	11	18
129155-51270	11	25
129155-51280	11	26
	12	2
129155-51320	11	30
129155-51340	11	31
129155-51370	11	34
129155-51380	11	35
129155-51390	11	36
129155-51400	11	37
129155-51410	11	38
129155-51420	11	39
129155-51450	11	40
129155-51500	11	45
129155-51521	11	46
129155-51530	11	47
129155-51540	11	48
129155-51550	11	49
129155-51570	11	52
129155-51580	11	53
129155-51591	11	54
129155-51600	11	55
129155-51700	11	74
129155-51710	11	75
129155-51750	11	76
129155-51760	11	77
129155-51790	11	78
129155-51930	11	80
129155-51940	11	81
129155-52050	11	109
129155-61120	12	8
129155-61130	12	9
129155-61140	12	10
129155-61201	12	11
129155-61341	12	15
129155-61350	12	105
129155-61360	12	106
129155-61430	12	19
129155-61450	12	23
129155-61460	12	24
129155-61470	12	80
129155-61480	12	25
129155-61830	12	55

Parts No.	Fig. No.	Ref. No.
129155-61950	12	57
129156-51910	11	79
129211-77330	16	25
129211-77920	16	29 -1
129255-59580	13	56
	14	18
129335-55700	14	19
129350-12660	5	7
129350-12900	5	9
129350-49530	10	22
129400-01520	2	5
129400-92420	17	29
129403-42380	10	18
129411-55690	14	11
129500-53050	13	2
129505-51300	11	27
129550-21650	8	9
129550-49100	10	41
129555-59510	14	17
129792-22400	8	24
129795-01800	2	4
129795-01950	2	10
129795-02411	1	21
129795-21661	8	10
129795-49551	10	23
	17	17
158552-61900	12	66 -1
170903-12560	5	13
171031-11741	2	28
171051-01921	1	6
171056-49120	10	35
171081-55910	14	31
171301-01600	3	2
171325-21590	8	13
171340-44740	10	19
171340-77520	5	17
171353-44760	10	20
171353-61550	12	81
171353-61710	12	77
174307-51170	11	15
174307-51560	11	51
174307-51700	12	32
194990-22050	6	3
		13
22117-040000	12	59
22190-060002	12	60
22190-080002	2	23
		24
	9	39
22190-100002	12	61

Parts No.	Fig. No.	Ref. No.
22190-120002	12	62
	14	16
	17	23
22190-160002	11	90
22190-220002	3	11
22217-050000	11	110
22217-060000	11	82
22217-120000	7	16
22287-120000	12	63
22351-040010	8	8
22351-050010	11	83
22351-060012	4	53
22372-040000	12	64
22512-070140	7	8
	8	6
23061-070230	10	40
23065-160800	4	1
23414-100000	9	38
23414-120000	13	50
	17	24
23418-060000	14	32
23871-010000	1	10
23871-030000	10	12
23887-100002	12	65
23887-120002	1	11
24101-063034	11	84
24311-000120	4	52
	17	25
24311-000160	2	13
	9	29
	17	26
24311-000320	2	14
		29
	4	56
	17	27
24311-240100	14	4
		33
24341-000160	11	85
24341-000240	2	26
	17	28
24341-000280	12	66
24341-000500	4	49
25132-003900	10	17
26014-080252	16	27
26014-080852	14	12
26022-050102	11	86
26022-060162	11	87
26106-060102	12	67
		68
		69

Parts No. Index

Parts No.	Fig. No.	Ref. No.
26106-060122	2	27
26106-060142	12	70
26106-060202	12	71
26106-060352	10	21
26106-080122	2	15
26106-080142	4	6
26106-080162	2	16
		17
	3	12
	4	50
	7	18
26106-080202	2	18
	9	30
	10	26
26106-080252	4	38
	5	4
26106-080302	3	18
26106-080352	3	19
	9	23
	10	15
26106-080402	5	18
26106-080452	2	19
	3	13
	7	14
26106-080502	4	39
26106-080552	2	20
	10	16
26106-080602	6	4
26106-080802	5	19
	6	5
26106-080852	2	21
26106-100162	6	14
26116-050302	11	88
26116-120252	15	35
26206-100252	3	4
26206-100302	3	5
26216-060302	4	13
26216-080222	6	6
		15
26216-080602	6	7
26216-080702	6	8
26216-080802	6	9
26226-080182	4	37
26366-060002	4	54
26366-080002	2	22
	12	74
	16	24
26450-060252	9	15
26687-120002	12	79
26716-060002	11	89

Parts No.	Fig. No.	Ref. No.
26716-120002	7	17
26756-060002	12	72
26776-120002	12	73
27231-500000	1	12
27241-120000	1	13
27241-300000	1	14
27241-400000	4	14
27310-070001	4	19
719810-01500	2	1
719810-01650	3	15
719810-02800	1	15
719810-02930	1	18
719810-11520	4	40
719810-11660	4	33
719810-23100	8	25
719812-92630	17	1
719813-01560	1	1
719910-51350	11	1
729500-53200	13	1
977770-01212	2	30
	3	20
	17	30
X0280210230	15	11
X0283060061	15	2
X0283270140	15	12
X0289030010	15	3
X9490561370	15	4
X9491200240	15	5
X9491703371	15	13
X9491730461	15	26

Parts No.	Fig. No.	Ref. No.
-----------	----------	----------

Parts No.	Fig. No.	Ref. No.
-----------	----------	----------