

0CD10-M57000EN

PREFACE

1. This Parts Catalog is the 1st edition of DGY17/20/27/31 Diesel Engine for SHIN-DAIWA.

Pub. No. : 000Y00D5700

Published : April, 1996

2. Model name

Engine model	Vehicle		Vehicle made by
	Products	Model name	
DGY17/20/27/31	GENERATOR	—	SHIN-DAIWA

Directions for the Parts Catalog.

1. The parts stipulated in this Parts Catalog are not necessarily standard equipped parts.
2. Parts may change without prior notice.
3. The following is an example of the Parts Catalog format.

REF.	LEV.	PARTS NO.	DESCRIPTION	Q'TY						I	R
				(A)	(B)	(C)	(D)	(E)	(F)		
1	1	729595-51390	FUEL INJECTION PUMP	1	1	1	1	1			1
1-1	1	729595-51391	FUEL INJECTION PUMP	1	1	1	1	1		N	1
		(A=E00185) (B=E00200)									
3	2	26022-060162	SCREW M 6X 16	9	9	9	9	9			
3-1	2	26022-060162	SCREW M 6X 16	4	4	4	4	4		K	
		(A=E00156) (B=E00156) (C=E00156) (D=E00156) (E=E00156)									
4	2	129470-51040	CAMSHAFT	1	1	1	1	1			
5	2	122710-51050	BEARING, ROLLER	2	2	2	2	2			
6	2	129470-51060	RETAINER	1	1	1	1	1			

Remarks
(1) BOOST COMPEMSATOR TYPE. OPTIONAL PART, TO E00155,(4JH-DT, 4JH-DTZ

① Ref. No.

The Ref. No. listed may not be in accordance with the illustration Ref. No.

(Ex.) Illustration No.

List Ref No.

1

1

(Before change)

1-1

(After change)

For interchangeable symbols N, R and K, illustrations for new parts may be abbreviated.

② Lev. (Level)

Level indication

The numbers below indicate the level of relativity towards the main part.

1 ----- Main parts (Assembly parts)

2 ----- Sub component included in " 1 ".

3 ----- Sub component included in " 2 ".

Note) Parts that are not for sale are partially illustrated but not listed.

③ Interchangeability Mark

When a part change takes place, one of the following interchangeability symbols is indicated beside the part.

Symbol	Interchangeability	Contents note
N	Old $\begin{matrix} \leftarrow \text{Yes} \\ \text{No} \rightarrow \end{matrix}$ New	New Part is interchangeable for Old Part but Old Part is not interchangeable for New Part.
Q	Old $\begin{matrix} \leftarrow \text{No} \\ \text{Yes} \rightarrow \end{matrix}$ New	New Part is not interchangeable for Old Part but Old Part is interchangeable for New Part.
R	Old $\begin{matrix} \leftarrow \text{Yes} \\ \text{Yes} \rightarrow \end{matrix}$ New	New/ Old Parts are both interchangeable.
S	Old $\begin{matrix} \leftarrow \text{No} \\ \text{No} \rightarrow \end{matrix}$ New	New/ Old Parts are both not interchangeable.
W		Part newly added.
Z		Part discontinued.
F		Not interchangeable by a single part but interchangeable together with related parts.
K		Changes only for used parts quantities.

④ Effective Machine No.

When a part changes, the effective Machine No. will be indicated in the (A)-(F) column.

Product Symbol	Product No.	Product Symbol	Product No.
C	Clutch No. Compressor No.	F	Machine No. (Agricultural Equip.)
D	Drive No.	M	Machine No.
E	Engine No.		

Note 1) A date may follow the symbol. (Ex.) 1996.01

Note 2) "XXXXX" and "ZZZZZ" are for parts that could not be predicted or for engine models that could not be identified.

Note 3) (A=E00185) is the E (Engine Serial Number) for the column (A) model (in this case 4JH-DT) after the parts design change.

⑤ Remarks Mark

Figures or alphabets (symbols) are entered in the remarks column.

The comments (remarks) on parts that are indicated at the bottom of the illustration are the same symbols as those stated above.

Contents

Fig. No. Fig. Name

Fig. No. Fig. Name

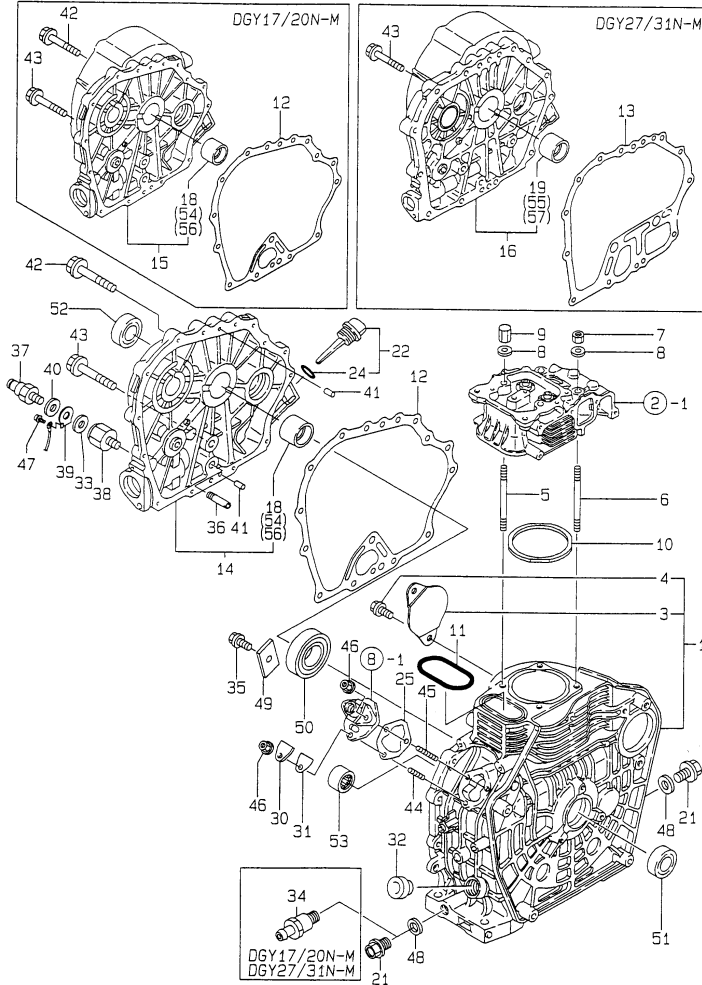
DGY17/20/27/31

1. CYLINDER BLOCK
2. CYLINDER HEAD & BONNET
3. AIR CLEANER
4. MUFFLER
5. CRANKSHAFT,PISTON & CAMSHAFT
6. LUB.OIL PUMP & GOVERNOR
7. COOLING & STARTING DEVICE
8. FUEL INJECTION PUMP
9. FUEL TANK & FUEL LINE
10. FUEL TANK & FUEL LINE
11. STARTING MOTOR & DYNAMO
12. LABEL
13. SAFETY LABEL
14. TOOLS & GASKET SET
15. FRAME & BATTERY
16. SOUND PROOF CASE
17. GENERATOR
18. GENERATOR
19. PANEL
20. PANEL

Fig.1. CYLINDER BLOCK

(A)=DGY17/20N-2
 (B)=DGY17/20N-E2
 (C)=DGY17/20N-M
 (D)=DGY27/31N-M
 (E)=
 (F)=

Y0005700
 DGY17-31N-(E) 2, M



No.	Lev.	Parts No.	Description	Q'ty						I	R
				(A)	(B)	(C)	(D)	(E)	(F)		
1A	1	714270-01560	BLOCK ASSY, CYLINDER	1							
1B	1	714271-01560	BLOCK ASSY, CYLINDER		1	1					
1C	1	714371-01560	BLOCK ASSY, CYLINDER				1				
3	2	114350-01700	COVER	1	1	1	1				
4	2	26106-100122	BOLT, M10X 12 PLATED	2	2	2	2				
5A	1	114250-01200	BOLT, HEAD	2	2	2					
5B	1	114350-01200	BOLT, HEAD						2		
6A	1	114250-01210	BOLT, HEAD	2	2	2					
6B	1	114350-01210	BOLT, HEAD						2		
7A	1	114250-01220	NUT, CYLINDER HEAD	2	2	2					
7B	1	114350-01220	NUT, CYLINDER HEAD						2		
8A	1	124950-01250	WASHER	4	4	4					
8B	1	105225-01240	WASHER						4		
9A	1	114250-01250	NUT, CAP	2	2	2					
9B	1	114350-01250	NUT, CYLINDER HEAD						2		
10A	1	114250-01340	GASKET, HEAD	1	1	1					G
10B	1	114350-01340	GASKET, HEAD						1		G
11A	1	114250-01380	O-RING	1	1	1					G
11B	1	114350-01380	O-RING						1		G
12	1	114250-01412	GASKET, CRANK CASE	1	1	1					G
13	1	114350-01412	GASKET, CRANK CASE						1		G
14	1	114260-01454	COVER, CRANK CASE	1	1						
15	1	183250-01451	COVER, CRANK CASE			1					
16	1	183350-01451	COVER, CRANK CASE				1				
18	2	114250-02100	BEARING, MAIN	1	1	1					1
19	2	114350-02100	BEARING, MAIN						1		1
21	1	105425-01690	PLUG, 16	2	2	1	1				
22A	1	160710-01760	CAP ASSY, L82	1	1	1					
22B	1	160910-01740	CAP ASSY						1		
24	2	24311-000180	O-RING, 1AP18.0	1	1	1	1				G
25	1	114250-01800	SHIM SET	1	1	1	1				
30	1	114250-01830	COVER	1	1	1	1				
31	1	114250-01841	GASKET	1	1	1	1				G
32	1	160110-01870	PLUG, RUBBER	1	1	1	1				
33	1	183366-08290	WASHER	1	1	1	1				
34	1	183366-08351	NIPPLE, DRAIN				1	1			
35	1	26106-080122	BOLT, M8X 12 PLATED	1	1	1	1				
36	1	114250-35150	PIPE, OIL INLET	1	1	1	1				
37	1	183250-39450	SWITCH, 1.0KG	1	1	1	1				
38	1	183366-39460	JOINT	1	1	1	1				
39	1	171022-39470	TERMINAL, EARTH	1	1	1	1				
40	1	22117-100000	WASHER, 10	1	1	1	1				
41	1	114270-01600	PIN, M8X12	2	2	2	2				
42	1	26106-060252	BOLT, M6X 25 PLATED	14	14	14					
43	1	26106-080352	BOLT, M8X 35 PLATED	1	1	1	15				
44	1	26226-060182	STUD, M6X 18	1	1	1	1				
45	1	26226-060222	STUD, M6X 22	2	2	2	2				
46	1	26366-060002	NUT, M6	3	3	3	3				
47	1	26557-040082	SCREW, M4X 8	1	1	1	1				
48	1	22190-160002	WASHER, SEAL 16	2	2	2	2				G
49	1	114250-02030	RETAINER, BEARING	1	1	1	1				

Remarks

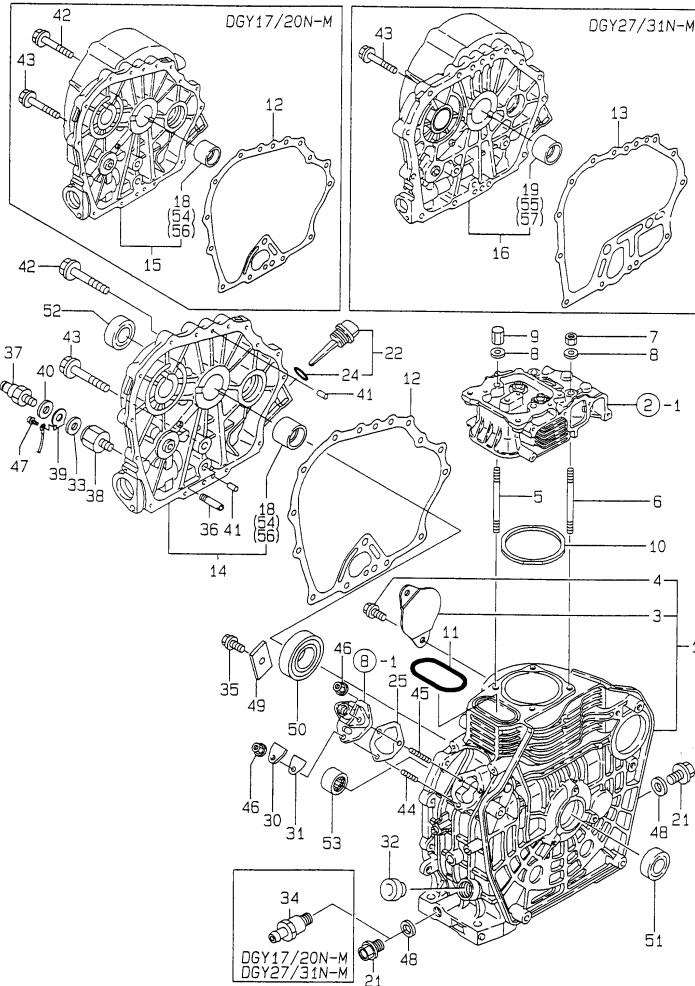
- (1) ONLY FOR REPAIR.
- (2) UNDER-SIZE(U.S=0.25)PART.
- (3) UNDER-SIZE(U.S=0.50)PART.
- (G) THESE PARTS ARE SOLD BY FIG.14, REF.NO.20.

Fig.1. CYLINDER BLOCK

(A)=DGY17/20N-2
 (B)=DGY17/20N-E2
 (C)=DGY17/20N-M

(D)=DGY27/31N-M
 (E)=
 (F)=

Y0005700
 DGY17-31N- (E) 2, M



No.	Lev.	Parts No.	Description	Qty						I	R
				(A)	(B)	(C)	(D)	(E)	(F)		
50A	1	114250-02113	BEARING, HR6306G3C3	1	1	1					
50B	1	114350-02113	BEARING, B35-135G3C3						1		
51	1	160110-02220	SEAL, OIL	1	1	1	1	1			
52A	1	160210-02220	SEAL, 25X41.2X8	1	1	1					
52B	1	160110-02220	SEAL, OIL						1		
53	1	24162-152112	BEARING, 152112	1	1	1	1	1			
54	1	114250-02200	BEARING, 0.25 US	1	1	1					2
55	1	114350-02200	BEARING, 0.25 US						1		2
56	1	114250-02210	BEARING, 0.50 US	1	1	1					3
57	1	114350-02210	BEARING, 0.50 US						1		3

Remarks

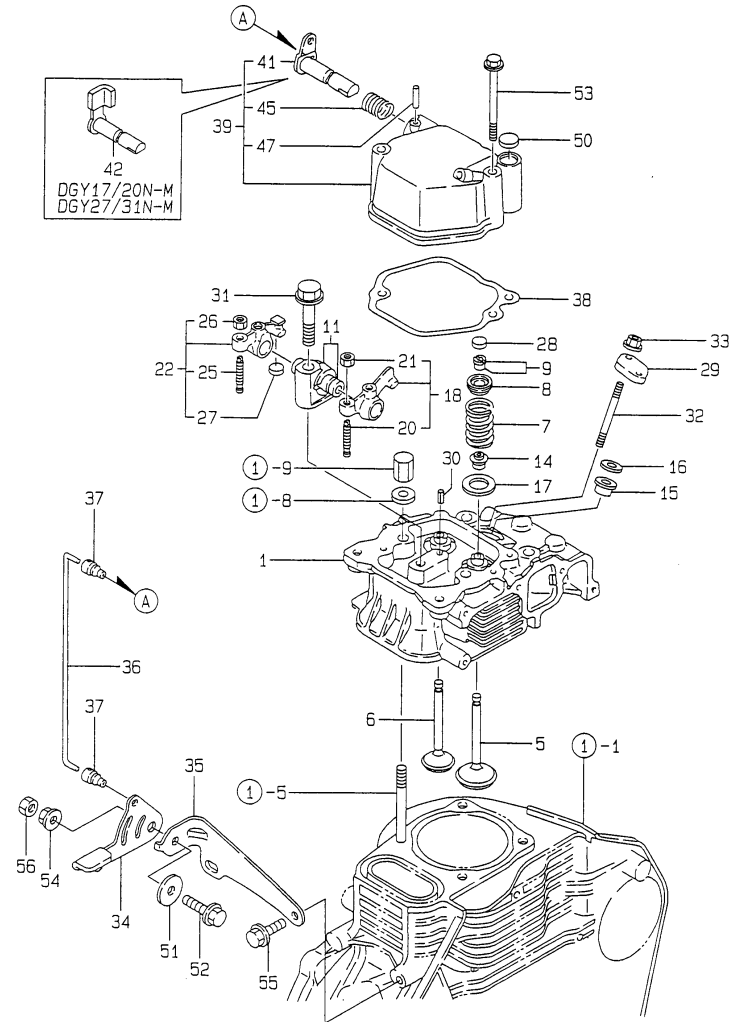
- (1) ONLY FOR REPAIR.
- (2) UNDER-SIZE(U.S=0.25)PART.
- (3) UNDER-SIZE(U.S=0.50)PART.
- (G) THESE PARTS ARE SOLD BY FIG.14, REF.NO.20.

Fig.2. CYLINDER HEAD & BONNET

(A)=DGY17/20N-2
(B)=DGY17/20N-E2
(C)=DGY17/20N-M

(D)=DGY27/31N-M
(E)=
(F)=

Y0005700
DGY17-31N- (E) 2, M



No.	Lev.	Parts No.	Description	Q'ty						I	R
				(A)	(B)	(C)	(D)	(E)	(F)		
1A	1	114250-11020	HEAD ASSY, CYLINDER	1	1	1					
1B	1	114870-11021	HEAD ASSY, CYLINDER						1		
5A	1	114250-11101	VALVE, INTAKE	1	1	1					
5B	1	114350-11101	VALVE, INTAKE						1		
6A	1	114250-11113	VALVE, EXHAUST	1	1	1					
6B	1	114350-11113	VALVE, EXHAUST						1		
7A	1	114250-11120	SPRING, VALVE	2	2	2					
7B	1	114350-11120	SPRING, VALVE						2		
8A	1	114250-11180	RETAINER, SPRING	2	2	2					
8B	1	101158-11180	RETAINER, SPRING						2		
9A	1	714250-11570	COTTER ASSY	2	2	2					
9B	1	27310-060001	COTTER, 6						2		
11	1	114250-11290	SUPPORT, ROCKER ARM	1	1	1	1				
14A	1	114250-11340	SEAL, VALVE STEM	2	2	2					G
14B	1	114350-11340	SEAL, VALVE STEM						2		G
15	1	114250-11460	GASKET, NOZZLE	1	1	1	1				G
16	1	114350-11470	SPACER, NOZZLE	1	1	1	1				
17	1	114250-11600	WASHER	2	2	2	2				
18	1	114250-11651	ARM, ROCKER	1	1	1	1				
20	2	114250-11240	SCREW, VALVE ADJUST	1	1	1	1				
21	2	26756-060002	NUT, LOCK M6	1	1	1	1				
22A	1	714270-11660	ARM ASSY, ROCKER	1	1	1					
22B	1	714370-11660	ARM ASSY, ROCKER						1		
25	2	114250-11240	SCREW, VALVE ADJUST	1	1	1	1				
26	2	26756-060002	NUT, LOCK M6	1	1	1	1				
27A	2	119260-11370	CAP, VALVE	1	1	1					
27B	2	105010-11490	CAP, VALVE						1		
28A	1	119260-11370	CAP, VALVE	1	1	1					
28B	1	105010-11490	CAP, VALVE						1		
29	1	114250-11900	RETAINER, NOZZLE	1	1	1	1				
30	1	22351-040008	PIN, SPRING 4.0X 8	1	1	1	1				
31	1	26106-080452	BOLT, M8X 45 PLATED	1	1	1	1				
32	1	26226-060502	STUD, M6X 50	2	2	2	2				
33	1	26366-060002	NUT, M6	2	2	2	2				
34	1	183250-03410	LEVER, DECOMPRESSION	1	1						
35	1	183250-03450	BRACKET, LEVER	1	1						
36	1	183250-03510	LINK	1	1						
37	1	183250-03550	JOINT	2	2						
38	1	114250-11311	GASKET, BONNET	1	1	1	1				G
39A	1	183250-11951	BONNET ASSY, HEAD	1	1						
39B	1	114250-11951	BONNET ASSY, HEAD						1		
41	2	183250-03601	SHAFT, DECOMPRESSION	1	1						
42	2	114250-03591	LEVER ASSY						1		
45	2	114250-03640	SPRING, DECOMPRESSION	1	1	1	1				
47	2	22312-030160	PIN, PARALLEL M3X16	1	1	1	1				
50	1	129100-61850	PLUG, 12	1	1	1	1				
51	1	160670-66350	COLLAR	1	1						
52	1	26106-060202	BOLT, M6X 20 PLATED	1	1						
53	1	26106-060552	BOLT, M6X 55 PLATED	2	2	2	2				
54	1	26366-060002	NUT, M6	1	1						
55	1	26476-060142	SCREW, TAPPING M6X14	2	2						

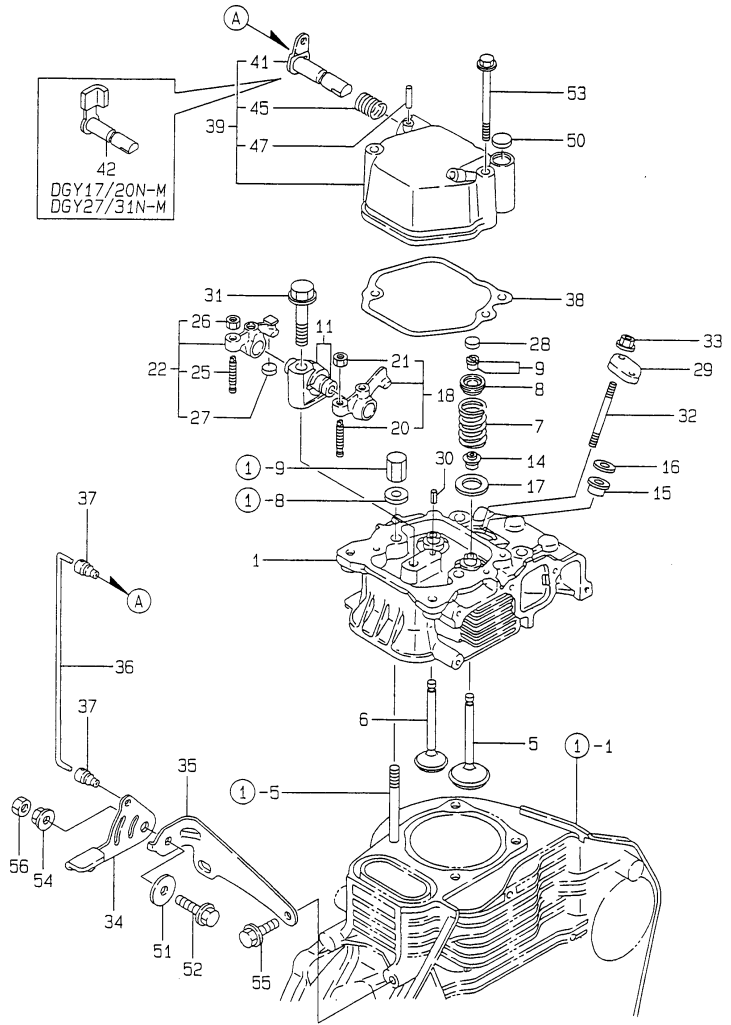
Remarks
(G) THESE PARTS ARE SOLD BY FIG.14,
REF.NO.20.

Fig.2. CYLINDER HEAD & BONNET

(A)=DGY17/20N-2
 (B)=DGY17/20N-E2
 (C)=DGY17/20N-M

(D)=DGY27/31N-M
 (E)=
 (F)=

Y0005700
 DGY17-31N- (E) 2, M

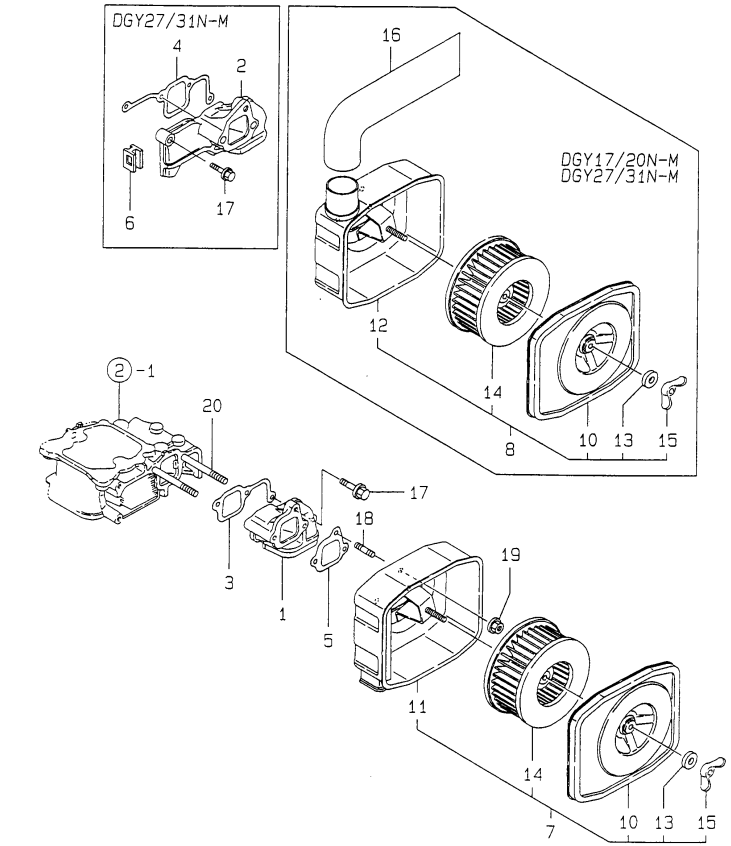


No.	Lev.	Parts No.	Description	Q'ty						I	R
				(A)	(B)	(C)	(D)	(E)	(F)		
56	1	26756-060002	NUT, LOCK M6	1	1						

Remarks
 (G) THESE PARTS ARE SOLD BY FIG.14,
 REF.NO.20.

Fig.3. AIR CLEANER

Y0005700
 DGY17~31N- (E) 2, M



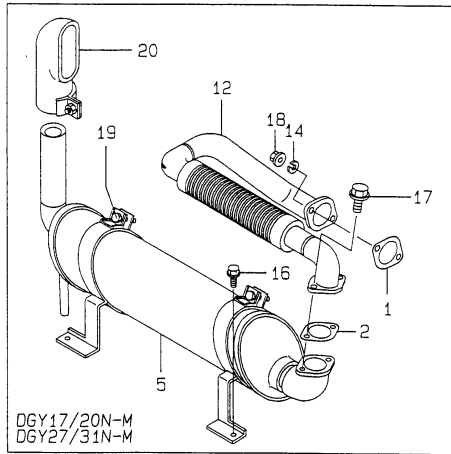
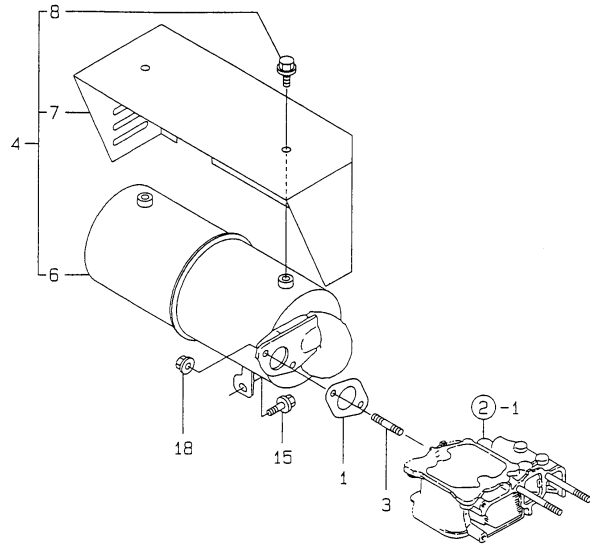
(A)=DGY17/20N-2
 (B)=DGY17/20N-E2
 (C)=DGY17/20N-M
 (D)=DGY27/31N-M
 (E)=
 (F)=

No.	Lev.	Parts No.	Description	Q'ty						I	R
				(A)	(B)	(C)	(D)	(E)	(F)		
1	1	114250-12010	PIPE, AIR INTAKE	1	1	1					
2	1	114350-12011	PIPE, AIR INTAKE				1				
3	1	114250-12201	GASKET	1	1	1					G
4	1	114350-12202	GASKET, AIR INTAKE				1				G
5	1	114250-12211	GASKET, AIR CLEANER	1	1	1	1				G
6	1	114650-12350	GROMMET				1				
7	1	714250-12560	CLEANER ASSY, AIR	1	1						
8	1	783366-12560	CLEANER ASSY, AIR			1	1				
10	2	114250-12520	COVER, AIR CLEANER	1	1	1	1				
11	2	114250-12530	CASE ASSY, CLEANER	1	1						
12	2	183366-12530	CASE ASSY			1	1				
13	2	114250-12560	WASHER, SEAL M6	1	1	1	1				
14	2	114250-12580	ELEMENT	1	1	1	1				
15	2	114250-12550	NUT, WING M6	1	1	1	1				
16	1	183366-12590	HOSE, CLEANER			1	1				
17	1	26106-060252	BOLT, M6X 25 PLATED	1	1	1	2				
18	1	26226-060142	STUD, M6X 14	1	1	1	1				
19	1	26366-060002	NUT, M6	3	3	3	3				
20	1	26226-060552	STUD, M6X 55	2	2	2	2				

Remarks
 (G) THESE PARTS ARE SOLD BY FIG.14,
 REF.NO.20.

Fig.4. MUFFLER

Y0005700
DGY17-31N- (E) 2, M



DGY17/20N-M
DGY27/31N-M

(A)=DGY17/20N-2
(B)=DGY17/20N-E2
(C)=DGY17/20N-M

(D)=DGY27/31N-M
(E)=
(F)=

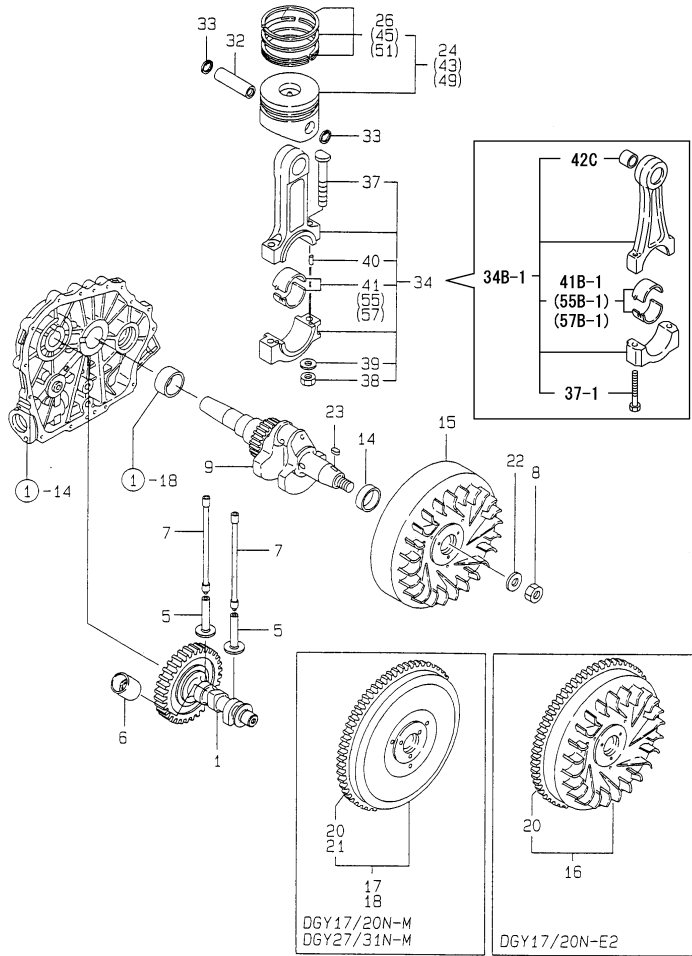
No.	Lev.	Parts No.	Description	Q'ty						I	R
				(A)	(B)	(C)	(D)	(E)	(F)		
1	1	114250-13201	GASKET, MUFFLER	1	1	1	1				G
2	1	183671-13211	GASKET, PIPE			1	1				
3	1	26216-080182	STUD, M8X 18	2	2	2	2				
4	1	183284-13050	MUFFLER ASSY	1	1						
5	1	183366-13300	MUFFLER ASSY			1	1				
6	2	183284-13500	MUFFLER	1	1						
7	2	183284-13550	COVER	1	1						
8	2	114252-13950	BOLT, M6X8	4	4						
12A	1	183294-13601	PIPE			1					
12B	1	183394-13601	PIPE				1				
14	1	22213-080000	WASHER, SPRING 8			2	2				
15	1	26106-080162	BOLT, M8X 16 PLATED	1	1						
16	1	26014-060142	BOLT, M6X 14			4	4				
17	1	26013-080302	BOLT, M8X 30			2	2				
18	1	26366-080002	NUT, M8	2	2	2	2				
19	1	26106-060202	BOLT, M6X 20 PLATED			2	2				
20	1	114658-13800	PIPE			1	1				

Remarks

(G) THESE PARTS ARE SOLD BY FIG.14,
REF.NO.20.

Fig.5. CRANKSHAFT,PISTON & CAMSHAFT

Y00D5700
DGY17~31N- (E) 2, M



(A)=DGY17/20N-2
(B)=DGY17/20N-E2
(C)=DGY17/20N-M

(D)=DGY27/31N-M
(E)=
(F)=

No.	Lev.	Parts No.	Description	Q'ty						I	R
				(A)	(B)	(C)	(D)	(E)	(F)		
1A	1	714780-14580	CAMSHAFT ASSY	1	1	1					
1A-1	1	714780-14581	CAMSHAFT ASSY, D	1	1	1					R
		(A=EZZZZZ) (B=EZZZZZ) (C=EZZZZZ)									
1B	1	714880-14580	CAMSHAFT ASSY								1
5	1	114250-14200	TAPPET	2	2	2	2				
6	1	114250-14260	TAPPET	1	1	1	1				
7A	1	114250-14450	ROD ASSY, PUSH	2	2	2					
7B	1	114350-14450	ROD ASSY, PUSH								2
8	1	103854-01221	NUT, CYLINDER HEAD	1	1	1	1				
9A	1	783292-21700	CRANKSHAFT ASSY	1	1	1					
9B	1	783392-21700	CRANKSHAFT ASSY								1
9B-1	1	783886-21700	CRANKSHAFT ASSY								1
		(D=*1998.11.)									F 5
14A	1	183250-21350	SPACER, CRANKSHAFT	1	1	1					
14B	1	183350-21350	SPACER, CRANKSHAFT								1
15	1	114780-21400	FLYWHEEL	1							
16	1	114781-21590	FLYWHEEL ASSY		1						
17	1	183266-21590	FLYWHEEL ASSY			1					
18	1	183366-21590	FLYWHEEL ASSY								1
20	2	114262-21600	GEAR, RING		1	1					
21	2	114362-21600	GEAR, RING								1
22	1	114250-21550	WASHER	1	1	1	1				
23	1	22512-040120	KEY, 4X 12	1	1	1	1				
24A	1	714280-22720	PISTON ASSY, D	1	1	1					
24B	1	714380-22720	PISTON ASSY, D								1
26A	2	714250-22502	RING SET, PISTON	1	1	1					
26B	2	714350-22502	RING SET, PISTON								1
32A	1	114250-22302	PIN, PISTON D=19	1	1	1					
32B	1	114350-22301	PIN, PISTON D=21								1
33A	1	22252-000190	RING, 19	2	2	2					
33B	1	22252-000210	RING, 21								2
34A	1	714250-23703	ROD ASSY, CONNECTING	1	1	1					
34B	1	714350-23704	ROD ASSY, CONNECTING								1
34B-1	1	714380-23700	ROD ASSY, CONNECTING								1
		(D=*1998.11.)									F 5
37	2	114250-23200	BOLT, CONNECTING ROD	2	2	2	2				
37-1	2	118200-23200	BOLT, CONNECTING ROD								2
		(D=*1998.11.)									S
38	2	114250-23220	NUT	2	2	2	2				
		(D=*1998.11.)									Z
39	2	114250-23250	WASHER	2	2	2	2				
		(D=*1998.11.)									Z
40	2	22312-030080	PIN, PARALLEL M3X 8	2	2	2	2				
		(D=*1998.11.)									Z
41A	2	714250-23600	BEARING, CRANK PIN	1	1	1					
41B	2	714350-23600	BEARING, CRANK PIN								1
41B-1	2	714380-23600	BEARING, CRANK PIN								1
		(D=*1998.11.)									S
42C	2	114380-23100	BEARING, PISTON PIN								1
		(D=*1998.11.)									W
43A	1	714280-22620	PISTON ASSY, 0.25 OS	1	1	1					

Remarks

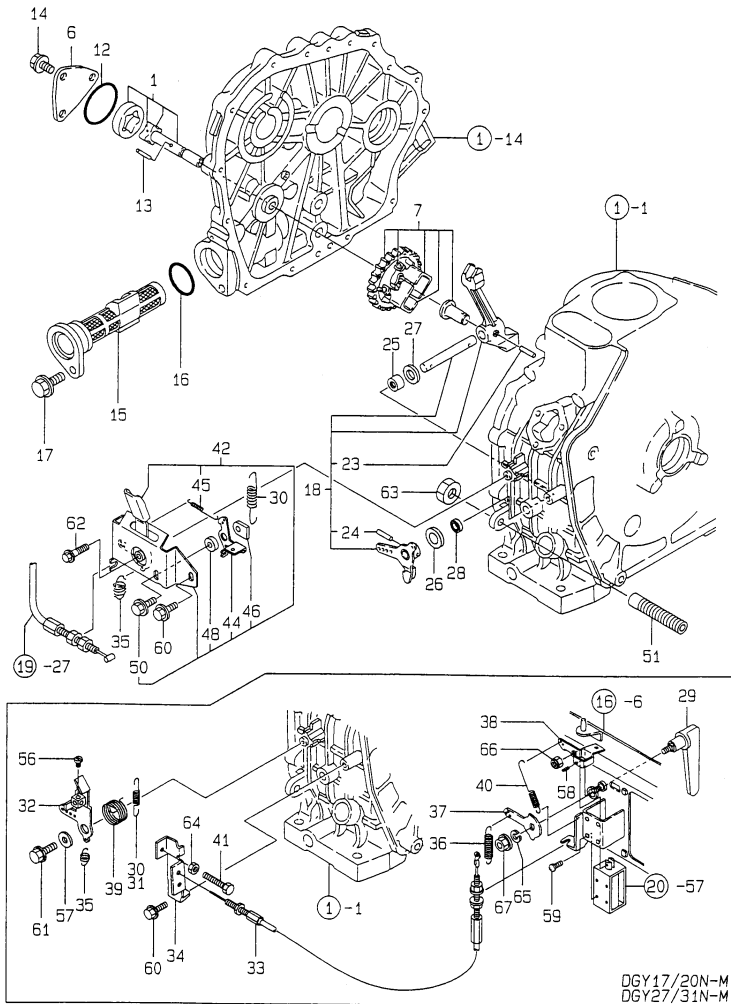
- (1) OVER-SIZE(O.S=0.25)PART.
- (2) OVER-SIZE(O.S=0.50)PART.
- (3) UNDER-SIZE(U.S=0.25)PART.
- (4) UNDER-SIZE(U.S=0.50)PART.
- (5) REF.NO.9B-1 & 34B-1 INTERCHANGEABLE BY SET.

Fig.6. LUB.OIL PUMP & GOVERNOR

(A)=DGY17/20N-2
(B)=DGY17/20N-E2
(C)=DGY17/20N-M

(D)=DGY27/31N-M
(E)=
(F)=

Y00D5700
DGY17-31N- (E) 2, M



No.	Lev.	Parts No.	Description	Qty						I	R
				(A)	(B)	(C)	(D)	(E)	(F)		
1	1	114250-32010	PUMP ASSY, OIL	1	1	1	1				
6	1	114250-32070	COVER	1	1	1	1				
7	1	714770-61700	GOVERNOR ASSY	1	1	1	1				
12	1	103338-32570	O-RING	1	1	1	1				G
13	1	22312-030160	PIN, PARALLEL M3X16	1	1	1	1				
14	1	26476-060142	SCREW, TAPPING M6X14	3	3	3	3				
15	1	114250-35070	FILTER, OIL	1	1	1	1				
16	1	24341-000224	O-RING, 1AS22.4	1	1	1	1				G
17	1	26106-060162	BOLT, M6X 16 PLATED	1	1	1	1				
18A	1	714250-61501	LEVER ASSY, GOVERNOR	1	1	1					
18B	1	714350-61501	LEVER ASSY, GOVERNOR						1		
23	2	22322-030200	PIN, TAPER 3X20	1	1	1	1				
24	2	22322-030200	PIN, TAPER 3X20	1	1	1	1				
25	1	114270-61520	BEARING, NEEDLE 8	2	2	2	2				
26	1	114770-61610	WASHER, THRUST	1	1	1	1				
27	1	114770-61190	WASHER	1	1	1	1				
28	1	114770-61600	SEAL, OIL	1	1	1	1				
29	1	183267-66350	LEVER, LOCK						1		
30	1	114770-66010	SPRING, REGULATOR	1	1	1					
31	1	114870-66010	SPRING, REGULATOR						1		
32	1	114883-66060	HANDLE, REGULATOR						1		
33	1	183266-66110	WIRE						1		
34	1	114252-66120	BRACKET						1		
35	1	114250-66200	SPRING, RETURN	1	1	1	1				
36	1	183266-66210	SPRING						1		
37	1	183266-66230	LEVER, LOCK						1		
38	1	183267-66240	LEVER, LOCK						1		
39	1	114252-66252	SPRING, RETURN						1		
40	1	183250-66331	SPRING						1		
41	1	114250-66440	BOLT, ADJUSTING						1		
42	1	183250-66511	BRACKET ASSY, HANDLE	1	1						
44	2	183250-66321	LEVER, LOCK	1	1						
45	2	183250-66331	SPRING	1	1						
46	2	183250-66341	NUT, LOCK	1	1						
48	2	183250-66361	COLLAR	1	1						
50	2	26106-060162	BOLT, M6X 16 PLATED	1	1						
51A	1	114770-66550	LIMITER ASSY, FUEL	1	1	1					1
51B	1	114250-66550	LIMITER ASSY, FUEL	1	1	1	1				2
56	1	105225-66990	SCREW, M5X8.5						1		
57	1	183350-55130	WASHER						1		
58	1	22351-030012	PIN, SPRING 3.0X12						1		
59	1	26023-030082	SCREW, M3X 8						4		
60	1	26476-060142	SCREW, TAPPING M6X14	1	1	1	1				
61	1	26476-060202	SCREW, TAPPING M6X20						1		
62	1	26106-060202	BOLT, M6X 20 PLATED	1	1						
63	1	26696-100002	NUT, LOCK M10	1	1	1	1				
64	1	26757-060002	NUT, LOCK M6						1		
65	1	22217-080000	WASHER, SPRING 8						1		
66	1	26347-060002	NUT, M6						1		
67	1	26756-080002	NUT, LOCK M8						1		

Remarks

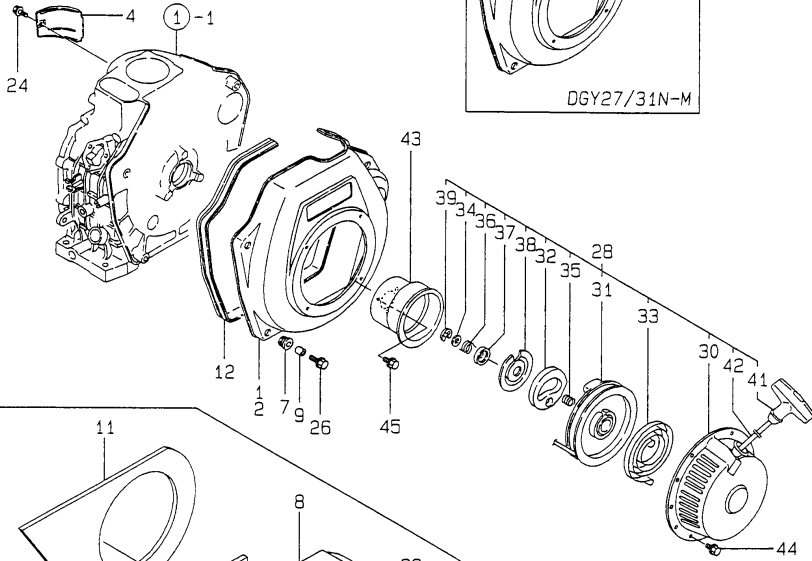
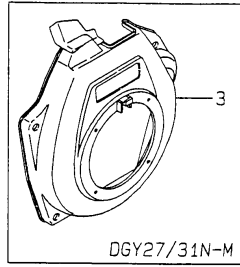
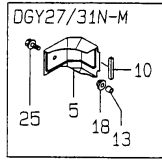
- (1) FOR DGY17N-2/17N-E2/17N-M.
- (2) FOR DGY20N-2/20N-E2/20N-M.
- (G) THESE PARTS ARE SOLD BY FIG.14, REF.NO.20.

Fig.7. COOLING & STARTING DEVICE

(A)=DGY17/20N-2
 (B)=DGY17/20N-E2
 (C)=DGY17/20N-M

(D)=DGY27/31N-M
 (E)=
 (F)=

Y0005700
 DGY17~31N- (E) 2, M

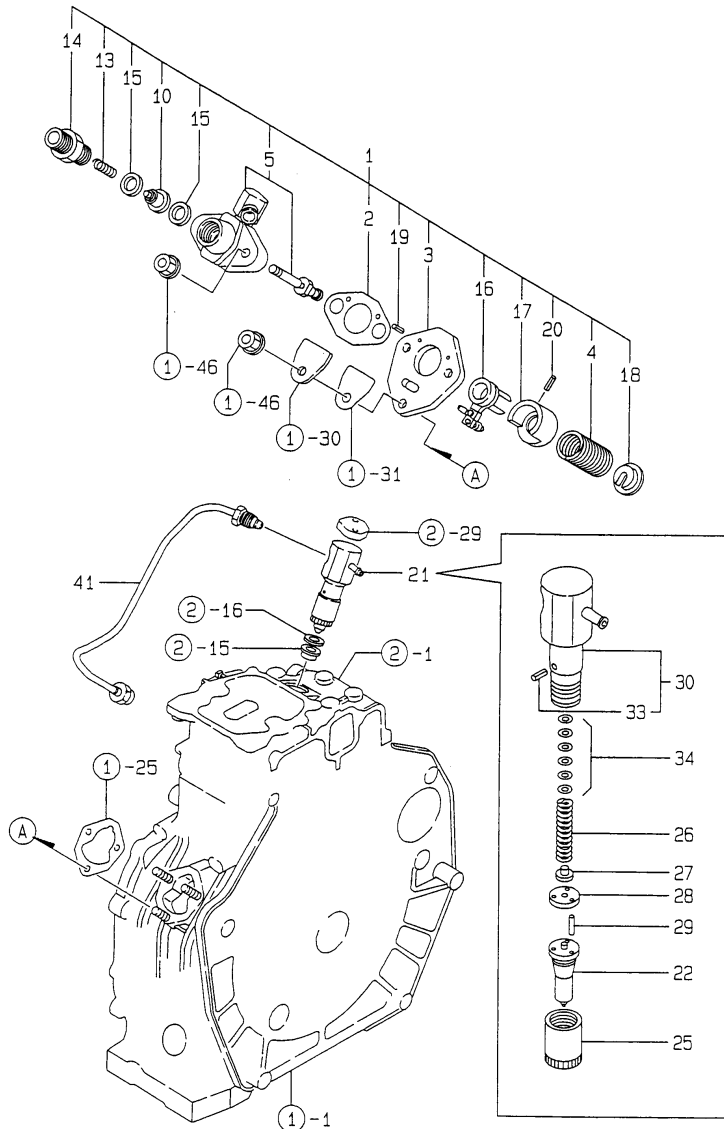


DGY17/20N-M
 DGY27/31N-M

No.	Lev.	Parts No.	Description	Q'ty						I	R
				(A)	(B)	(C)	(D)	(E)	(F)		
1	1	114780-45100	CASE, COOLING FAN	1	1						
2	1	183266-45110-2	CASE, COOLING FAN			1					
3	1	183366-45111-1	CASE, COOLING FAN				1				
4	1	114250-45211	COVER	1	1	1					
5	1	114870-45201	COVER					1			
6	1	183366-45220	COVER ASSY			1	1				
7	1	114250-45300	ABSORBER	4	4	4	4				
8	1	183366-45300	SCROLL			1	1				
9	1	114250-45310	COLLAR	4	4	4	4				
10	1	114350-45320	RUBBER, SEAL					1			
11	1	183366-45320	ISOLATOR			1	1				
12	1	114250-45330	SEAL, FAN CASE L=875	1	1	1	1				
13	1	114350-45340	COLLAR					1			
14	1	183266-45360	SPONGE			1					
15	1	183366-45410	COVER, FAN			1	1				
16A	1	183266-45460	STAY, SCROLL			1					
16B	1	183366-45460	STAY, SCROLL					1			
17	1	183366-45600	FAN, COOLING			1	1				
18	1	183720-55210	GROMMET					1			
19	1	26557-060142	SCREW M 6X 14			1	1				
20	1	26106-060142	BOLT, M6X 14 PLATED			1	1				
21	1	26014-080302	BOLT, M8X 30			3	3				
22	1	26106-060082	BOLT, M6X 8 PLATED			7	7				
23	1	26106-060122	BOLT, M6X 12 PLATED			14	14				
24	1	26476-060142	SCREW, TAPPING M6X14	1	1	1					
25	1	26476-060202	SCREW, TAPPING M6X20					1			
26	1	114370-45350	BOLT	4	4	4	4				
28	1	714260-76821	STARTER ASSY, RECOIL	1	1						
30	3	114260-76520	CASE, STARTER	1	1						
31	3	160260-76520	REEL	1	1						
32	3	160260-76530	RATCHET	1	1						
33	3	160260-76540	SPRING, SPIRAL	1	1						
34	3	160260-76550	WASHER, THRUST	1	1						
35	3	160260-76560	SPRING, FRICTION	1	1						
36	3	160290-76570	SPRING, RETURN	1	1						
37	3	160260-76580	COVER	1	1						
38	3	160260-76590	PLATE, FRICTION	1	1						
39	3	160260-76600	CIRCLIP	1	1						
41	3	160260-76620	KNOB, STARTER	1	1						
42	3	160260-76630	ROPE, STARTER	1	1						
43	1	114250-76590	PULLEY, STARTER	1	1						
44	1	26106-060082	BOLT, M6X 8 PLATED	4	4						
45	1	26106-060122	BOLT, M6X 12 PLATED	3	3						
46	1	183294-95300	SPONGE ASSY			1	1				

Fig.8. FUEL INJECTION PUMP

Y00D5700
DGY17~31N- (E) 2, M



(A)=DGY17/20N-2
(B)=DGY17/20N-E2
(C)=DGY17/20N-M

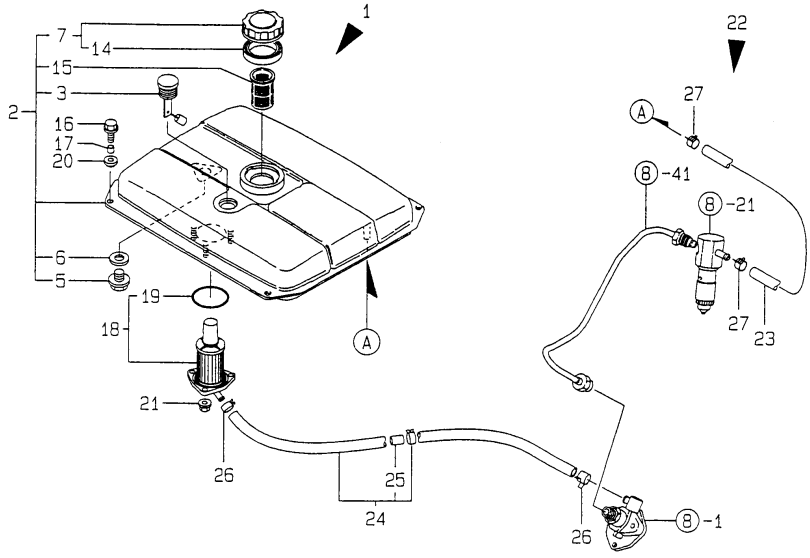
(D)=DGY27/31N-M
(E)=
(F)=

No.	Lev.	Parts No.	Description	Q'ty						I	R
				(A)	(B)	(C)	(D)	(E)	(F)		
1A	1	783250-51701	PUMP ASSY, INJECTION	1	1	1					
1B	1	783350-51701	PUMP ASSY, INJECTION							1	
2	2	105546-51020	GASKET	1	1	1	1	1			
3	2	114250-51080	PLATE	1	1	1	1	1			
4	2	114250-51160	SPRING, PLUNGER	1	1	1	1	1			
5A	2	183250-51200	BODY ASSY, PUMP	1	1	1					
5B	2	183350-51200	BODY ASSY, PUMP							1	
10	2	114250-51300	VALVE ASSY, DELIVERY	1	1	1	1	1			
13	2	105546-51330	SPRING, DELIVERY	1	1	1	1	1			
14	2	114250-51340	HOLDER, DELIVERY	1	1	1	1	1			
15	2	124550-51350	GASKET, DELIVERY	2	2	2	2	2			
16	2	114250-51600	LEVER ASSY, CONTROL	1	1	1	1	1			
17	2	114250-51640	SEAT, SPRING A	1	1	1	1	1			
18	2	114250-51650	SEAT, SPRING B	1	1	1	1	1			
19	2	22351-020006	PIN, SPRING 2.0X 6	2	2	2	2	2			
20	2	22351-030008	PIN, SPRING 3.0X 8	1	1	1	1	1			
21A	1	714250-53101	VALVE ASSY,INJECTION	1	1	1					
21B	1	714870-53100	VALVE ASSY,INJECTION							1	
22A	2	114250-53001	VALVE ASSY,INJECTION	1	1	1					
22B	2	114870-53000	VALVE ASSY,INJECTION							1	
25	2	114250-53080	NUT, NOZZLE D16.95	1	1	1	1	1			
26	2	114250-53120	SPRING, NOZZLE	1	1	1	1	1			
27	2	114250-53130	SEAT, SPRING	1	1	1	1	1			
28	2	114250-53140	PLATE	1	1	1	1	1			
29	2	114250-53210	PIN	2	2	2	2	2			
30	2	114250-53300	HOLDER ASSY, NOZZLE	1	1	1	1	1			
33	3	114250-53331	PIN	1	1	1	1	1			
34	2	114250-53400	SHIM SET	1	1	1	1	1			
41A	1	183250-59800	PIPE ASSY, INJECTION	1	1						
41B	1	114250-59800	PIPE ASSY, INJECTION							1	
41C	1	114350-59800	PIPE ASSY, INJECTION							1	

Fig.9. FUEL TANK & FUEL LINE

Y00D5700
DGY17-31N-(E) 2, M

DGY17/20N-2
DGY17/20N-E2



(A)=DGY17/20N-2
(B)=DGY17/20N-E2
(C)=DGY17/20N-M

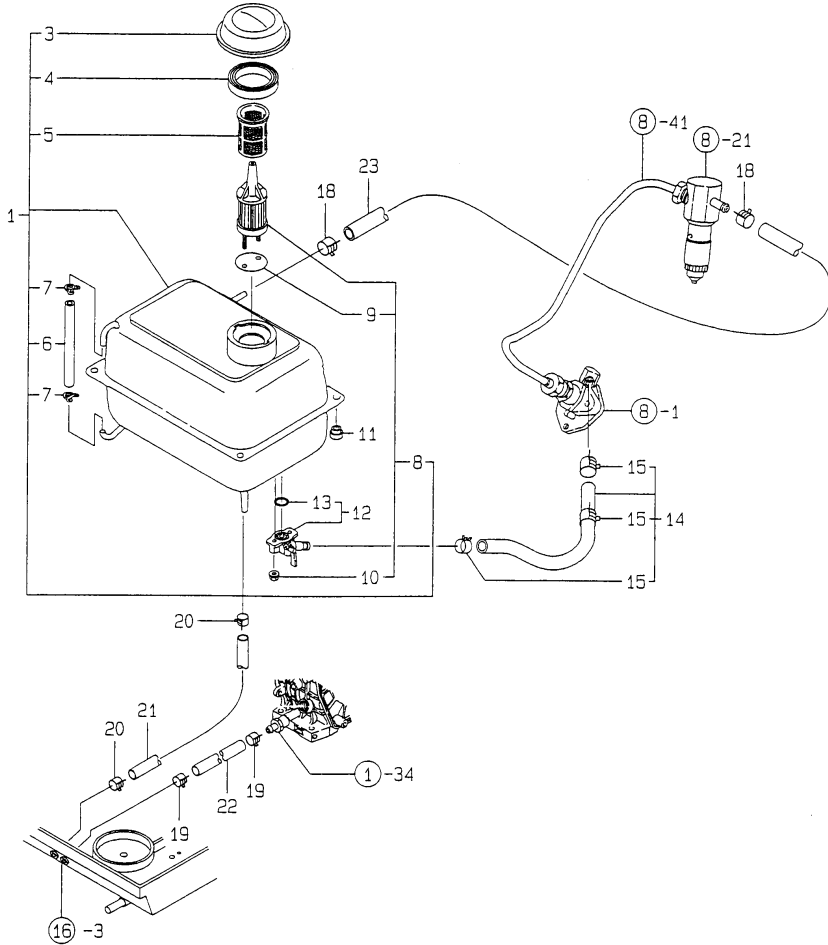
(D)=DGY27/31N-M
(E)=
(F)=

No.	Lev.	Parts No.	Description	Q'ty						I	R
				(A)	(B)	(C)	(D)	(E)	(F)		
1	1	183254-55110-3	TANK ASSY, FUEL	1	1						
2	2	X2A05276KD0	TANK ASSY, FUEL	1	1						
3	3	X3A06146KA0	GAUGE, FUEL	1	1						
5	3	104200-55080	PLUG, DRAIN	1	1						
6	3	22190-120002	WASHER, SEAL 12	1	1						
7	3	160710-55061	CAP ASSY	1	1						
14	4	160393-55050	GASKET	1	1						
15	3	160710-55100	FILTER, FUEL	1	1						
16	2	X3A06123K03	BOLT	4	4						
17	2	X5M07994000	COLLAR	4	4						
18	2	183254-55120	FILTER, FUEL	1	1						
19	3	24341-000450	O-RING, 1AS45.0	1	1						
20	2	183720-55210	GROMMET	4	4						
21	2	26366-060002	NUT, M6	3	3						
22	1	183254-59100	HOSE ASSY, FUEL	1	1						
23	2	X3A06356K01	HOSE, FUEL	1	1						
24	2	X3A06873KA0	HOSE, FUEL	1	1						
25	3	183250-59040	PIECE	1	1						
26	2	106990-44660	CLIP, HOSE 12.5	2	2						
27	2	124722-59050	CLIP, HOSE 9	2	2						

Fig.10. FUEL TANK & FUEL LINE

Y00D5700
DGY17-31N- (E) 2, M

DGY17/20N-M
DGY27/31N-M



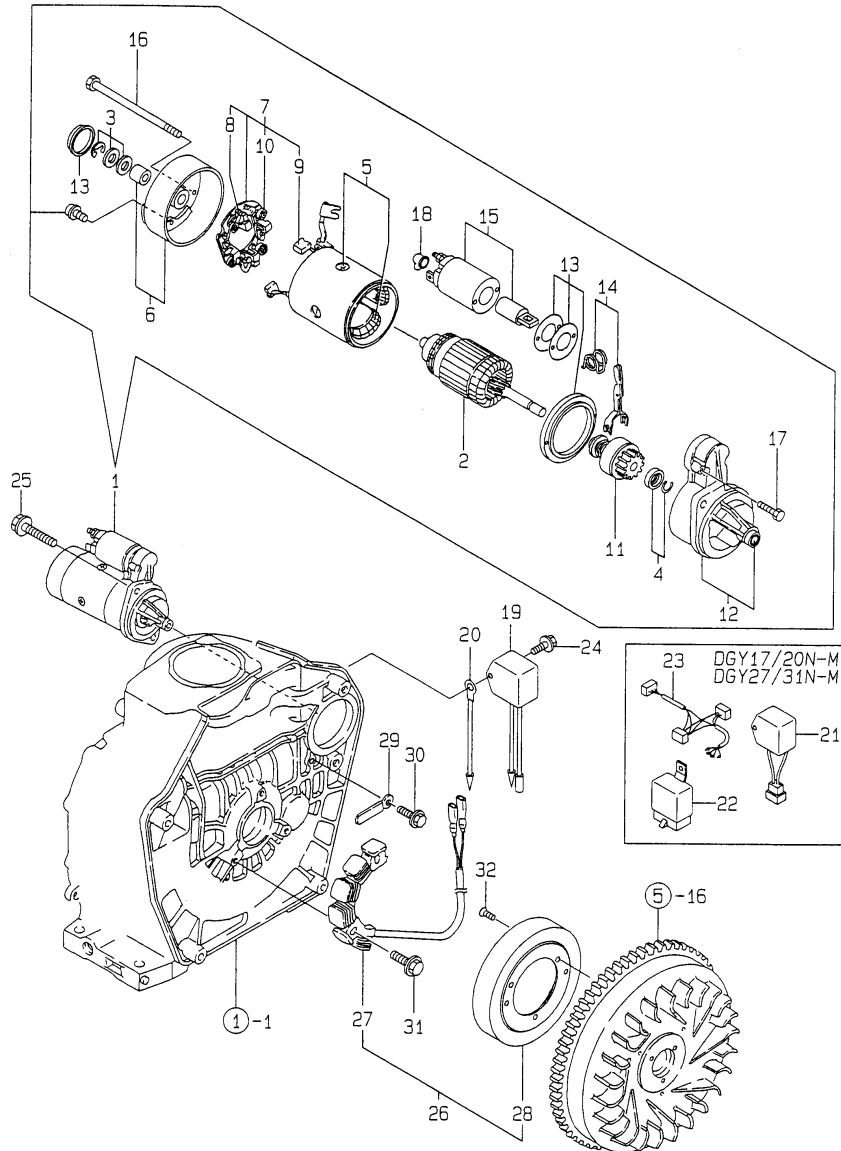
(A)=DGY17/20N-2
(B)=DGY17/20N-E2
(C)=DGY17/20N-M

(D)=DGY27/31N-M
(E)=
(F)=

No.	Lev.	Parts No.	Description	Q'ty						I	R
				(A)	(B)	(C)	(D)	(E)	(F)		
1	1	783366-55700	TANK ASSY, FUEL			1	1				
3	2	105015-55040	CAP, FUEL TANK			1	1				
4	2	101504-55051	GASKET			1	1				
5	2	160710-55100	FILTER, FUEL			1	1				
6	2	183366-55150	GAUGE, LEVEL			1	1				
7	2	103854-55220	RETAINER			2	2				
8	1	114250-55121	FILTER ASSY, FUEL			1	1				
9	2	114250-55130	GASKET			1	1				
10	1	26366-060002	NUT, M6			2	2				
11	1	183720-55210	GROMMET			4	4				
12	1	183250-55320	COCK ASSY, FUEL			1	1				
13	2	24341-000150	O-RING, 1AS15.0			1	1				
14	1	183366-59010	PIPE ASSY, FUEL			1	1				
15	2	106990-44660	CLIP, HOSE 12.5			3	3				
18	1	124722-59050	CLIP, HOSE 9			2	2				
19	1	171008-03990	CLIP, HOSE 18.5			2	2				
20	1	106990-44660	CLIP, HOSE 12.5			2	2				
21	1	183366-59330	PIPE, FUEL RETURN			1	1				
22A	1	183366-59341	PIPE			1					
22B	1	183366-59351	PIPE, FUEL RETURN				1				
23	1	183671-59060	PIPE, FUEL RETURN			1	1				

Fig.11. STARTING MOTOR & DYNAMO

Y0005700
DGY17-31N- (E) 2, M



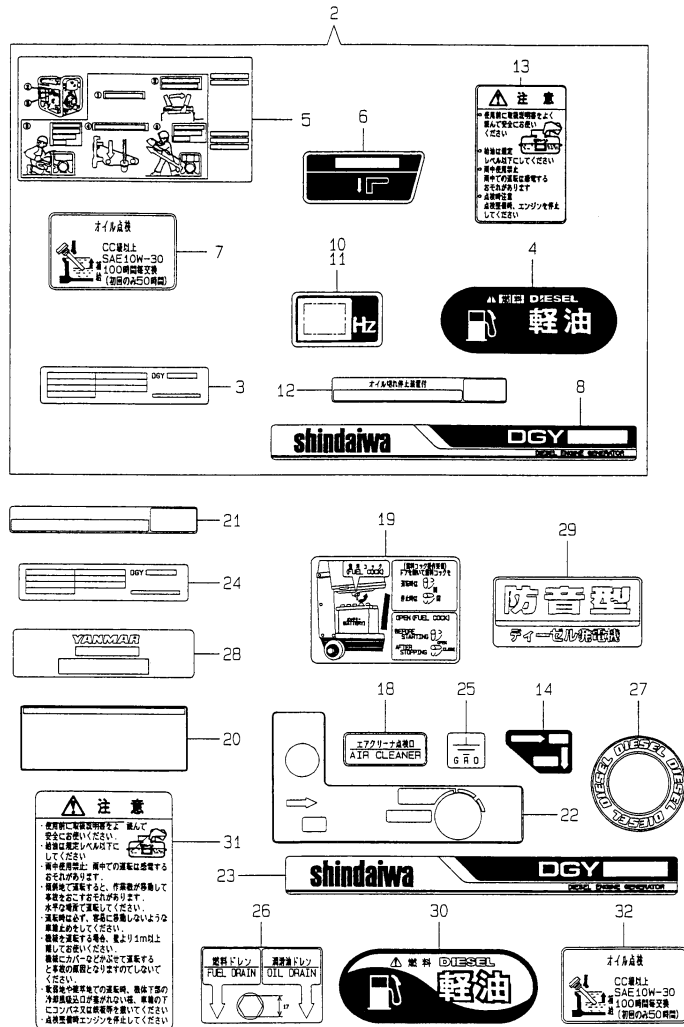
(A)=DGY17/20N-2
(B)=DGY17/20N-E2
(C)=DGY17/20N-M

(D)=DGY27/31N-M
(E)=
(F)=

No.	Lev.	Parts No.	Description	Qty						I	R
				(A)	(B)	(C)	(D)	(E)	(F)		
1	1	114362-77011	STARTER(HITACHI 12V	1	1	1					
2	2	114381-77110	ARMATURE	1	1	1					
3	2	X2114811000	WASHER KIT, THRUST	1	1	1					
4	2	X2114715500	STOPPER SET, PINION	1	1	1					
5	2	114381-77130	COIL ASSY, FIELD	1	1	1					
6	2	114381-77140	COVER, REAR	1	1	1					
7	2	114371-77160	HOLDER ASSY, BRUSH	1	1	1					
8	3	114371-79040	BRUSH (-)	2	2	2					
9	3	114371-79050	BRUSH (+)	1	1	1					
10	3	114371-79060	SPRING, BRUSH	3	3	3					
11	2	X2114455080	PINION ASSY	1	1	1					
12	2	114381-77150	HOUSING ASSY, GEAR	1	1	1					
13	2	114371-77170	COVER KIT, DUST	1	1	1					
14	2	X2114560130	LEVER KIT, SHIFT	1	1	1					
15	2	X2114275010	SWITCH ASSY, MAGNET	1	1	1					
16	2	X2114680050	BOLT, THROUGH	2	2	2					
17	2	114371-79070	BOLT M 6X 37	2	2	2					
18	2	X2114274200	COVER, TERMINAL	1	1	1					
19	1	160970-77350	RECTIFIER, ZR2117	1							
20	1	183350-77400	WIRE, LEAD	1	1	1					
21	1	183256-78300	REGULATOR			1	1				
22	1	183256-78310	RELAY			1	1				
23	1	183267-91390	HARNESS, WIRE			1	1				
24	1	26106-060122	BOLT, M6X 12 PLATED	1							
25	1	26106-100302	BOLT, M10X 30 PLATED	2	2	2					
26	1	114351-78251	DYNAMO ASSY	1	1	1					
27	2	114351-78751	STATOR ASSY	1	1	1					
28	2	114351-78761	WHEEL, DYNAMO	1	1	1					
29	1	160710-78710	CLAMP, CORD	1	1	1					
30	1	26476-060142	SCREW, TAPPING M6X14	1	1	1					
31	1	26476-060202	SCREW, TAPPING M6X20	3	3	3					
32	1	26577-060142	SCREW M 6X 14	3	3	3					

Fig.12. LABEL

Y00D5700
DGY17-31N- (E) 2, M



Remarks

- (1) FOR DGY17N-2, 17N-E2.
- (2) FOR DGY20N-2, 20N-E2.
- (3) FOR DGY17N-M, 27N-M.
- (4) FOR DGY20N-M, 31N-M.

(A)=DGY17/20N-2
(B)=DGY17/20N-E2
(C)=DGY17/20N-M

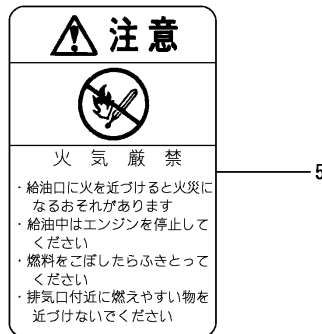
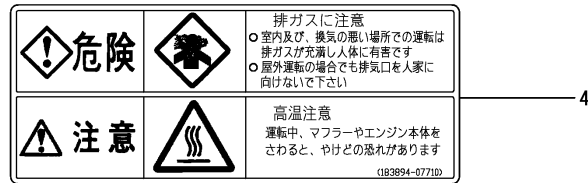
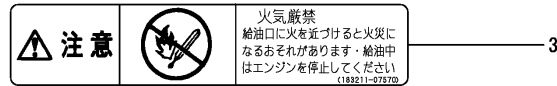
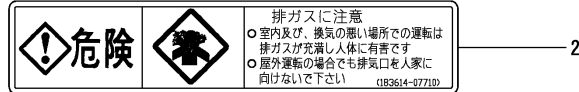
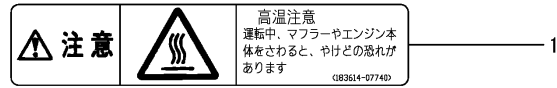
(D)=DGY27/31N-M
(E)=
(F)=

No.	Lev.	Parts No.	Description	Q'ty						I	R
				(A)	(B)	(C)	(D)	(E)	(F)		
2A	1	183254-07240	LABEL,ASSY	1							1
2B	1	183264-07240	LABEL,ASSY	1							2
2C	1	183855-07240	LABEL,ASSY		1						1
2D	1	183265-07240	LABEL,ASSY		1						2
3A	2	X3A06330K01	LABEL, MARK PLATE	1							1
3B	2	X3A06330K02	LABEL, MARK PLATE	1							2
3C	2	X3A06330K03	LABEL, MARK PLATE		1						1
3D	2	X3A06330K04	LABEL, MARK PLATE		1						2
4	2	X3A06339K01	LABEL, MARK PLATE	1	1						
5	2	X3A06341K01	LABEL, MARK PLATE	1	1						
6	2	X3A06813K01	LABEL, MARK PLATE	1	1						
7	2	X3A06856K01	LABEL, MARK PLATE	1	1						
8A	2	X3A06917K01	LABEL, MARK PLATE	1							1
8B	2	X3A06917K02	LABEL, MARK PLATE	1							2
8C	2	X3A06917K03	LABEL, MARK PLATE		1						1
8D	2	X3A06917K04	LABEL, MARK PLATE		1						2
10	2	183610-07230	LABEL, 50HZ	1	1						1
11	2	183620-07230	LABEL, 60HZ	1	1						2
12	2	183254-07450	LABEL, OIL CAUTION	1	1						
13	2	183614-07750	LABEL, CAUTION	1	1						
14	1	183250-07480	LABEL, RUN-STOP	1	1						
18	1	183366-07280	LABEL, AIR CLEANER			1	1				
19	1	183366-07251	LABEL, F.O. COCK			1	1				
20	1	183292-07210	LABEL, OPERATION			1	1				
21	1	183250-07450	LABEL			1	1				
22	1	183267-07230	LABEL			1	1				
23A	1	183257-07900	LABEL, GENERATOR			1					3
23B	1	183267-07900	LABEL, GENERATOR			1					4
23C	1	183357-07900	LABEL, GENERATOR				1				3
23D	1	183367-07900	LABEL, GENERATOR				1				4
24A	1	183294-07230	LABEL, GENERATOR			1					3
24B	1	183298-07230	LABEL, GENERATOR			1					4
24C	1	183394-07230	LABEL, GENERATOR				1				3
24D	1	183398-07230	LABEL, GENERATOR				1				4
25	1	183210-07390	LABEL, G.R.D.			1	1				
26	1	183366-07240	LABEL, DAIN			1	1				
27	1	114261-07350	LABEL	1	1						
28	1	183250-07750	LABEL	1	1	1	1				
29	1	183356-07310	LABEL			2	2				
30	1	170903-07420	LABEL			1	1				
31	1	183632-07600	LABEL, CAUTION			1	1				
32	1	183284-07790	LABEL, OIL			1	1				

Fig.13. SAFETY LABEL

(A)=DGY17/20N-2
(B)=DGY17/20N-E2
(C)=DGY17/20N-M

(D)=DGY27/31N-M
(E)=
(F)=

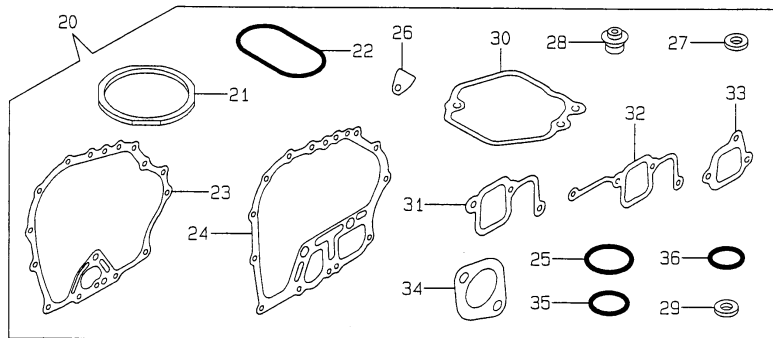
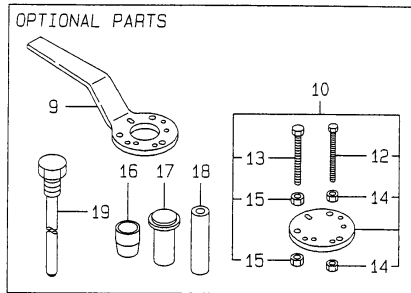
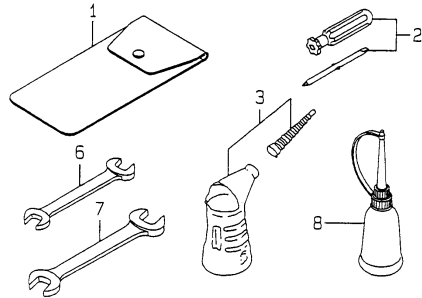


No.	Lev.	Parts No.	Description	Q'ty						I	R
				(A)	(B)	(C)	(D)	(E)	(F)		
1	1	183614-07740	LABEL,CAUTION	1	1						
2	1	183614-07710	LABEL,EXH.GAS CAUTN	1	1						
3	1	183211-07570	LABEL,NO FIRE	1	1						
4	1	183894-07710	LABEL,EXH.GAS CAUTN				1	1			
4-1	1	183894-07711	LABEL, CAUTION (C=EZZZZZ) (D=EZZZZZ)			1	1				N
5	1	183614-07720	LABEL,NO FIRE			1	1				

※貼付位置は取扱説明書を参照ください。

Fig.14. TOOLS & GASKET SET

Y00D5700
DGY17-31N- (E) 2, M



(A)=DGY17/20N-2
(B)=DGY17/20N-E2
(C)=DGY17/20N-M

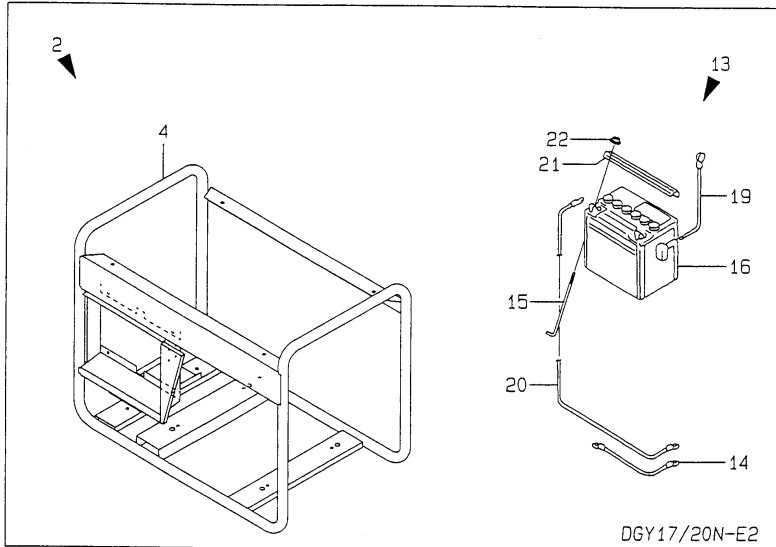
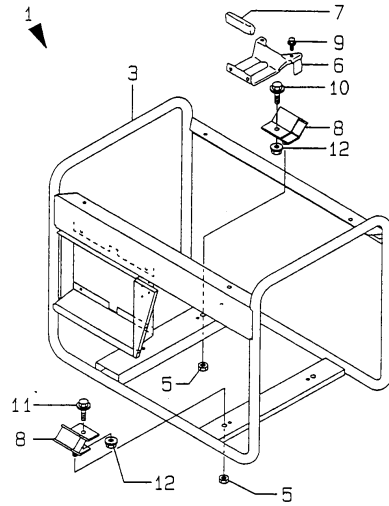
(D)=DGY27/31N-M
(E)=
(F)=

No.	Lev.	Parts No.	Description	Q'ty						I	R
				(A)	(B)	(C)	(D)	(E)	(F)		
1	1	114250-92600	BAG, TOOL	1	1	1	1				
2	1	160330-92730	DRIVE, SCREW	1	1	1	1				
3	1	7E4133-99290	JUG ASSY, OIL			1	1				
6	1	28110-100120	SPANNER, 10X12	1	1	1	1				
7	1	28110-140170	SPANNER, 14X17	1	1	1	1				
8	1	28210-000150	OILER	1	1	1	1				
9	1	114250-92101	F.W. LOCKING HANDLE	1	1	1	1				1
10	1	114250-92130	REMOVER, FLYWHEEL	1	1	1	1				1
12	2	26116-060454	BOLT M 6X 45 PLATED	4	4	4	4				1
13	2	26116-080454	BOLT, M8X 45 PLATED	3	3	3	3				1
14	2	26716-060002	NUT, M6	8	8	8	8				1
15	2	26716-080002	NUT, M8	6	6	6	6				1
16A	1	114250-92301	GUIDE	1	1	1					1
16B	1	114361-92300	GUIDE, OIL SEAL				1				1
17A	1	114250-92311	INSTALLING TOOL	1	1	1					1
17B	1	114350-92311	INSTALLING TOOL	1	1	1	1				1
18A	1	114250-92350	INSTALLING TOOL	1	1	1					1
18B	1	114350-92350	INSTALLING TOOL				1				1
19A	1	183254-92350	TOOL, ROTOR REMOVER	1	1						1
19B	1	183262-92350	TOOL, ROTOR REMOVER			1					1
19C	1	183362-92350	TOOL, ROTOR REMOVER				1				1
20A	1	714250-92604	GASKET SET	1	1	1					1
20B	1	714350-92604	GASKET SET				1				1
21A	2	114250-01340	GASKET, HEAD	1	1	1					
21B	2	114350-01340	GASKET, HEAD				1				
22A	2	114250-01380	O-RING	1	1	1					
22B	2	114350-01380	O-RING				1				
23	2	114250-01412	GASKET, CRANK CASE	1	1	1					
24	2	114350-01412	GASKET, CRANK CASE				1				
25	2	24311-000180	O-RING, 1AP18.0	2	2	2	2				
26	2	114250-01841	GASKET	1	1	1	1				
27	2	22190-160002	WASHER, SEAL 16	2	2	2	2				
28A	2	114250-11340	SEAL, VALVE STEM	2	2	2					
28B	2	114350-11340	SEAL, VALVE STEM				2				
29	2	114250-11460	GASKET, NOZZLE	1	1	1	1				
30	2	114250-11311	GASKET, BONNET	1	1	1	1				
31	2	114250-12201	GASKET	1	1	1					
32	2	114350-12202	GASKET, AIR INTAKE				1				
33	2	114250-12211	GASKET, AIR CLEANER	1	1	1	1				
34	2	114250-13201	GASKET, MUFFLER	1	1	1	1				
35	2	103338-32570	O-RING	1	1	1	1				
36	2	24341-000224	O-RING, 1AS22.4	1	1	1	1				

Remarks
(1) OPTIONAL PART.

Fig.15. FRAME & BATTERY

Y0005700
 DGY17~31N- (E) 2, M



(A)=DGY17/20N-2
 (B)=DGY17/20N-E2
 (C)=DGY17/20N-M

(D)=DGY27/31N-M
 (E)=
 (F)=

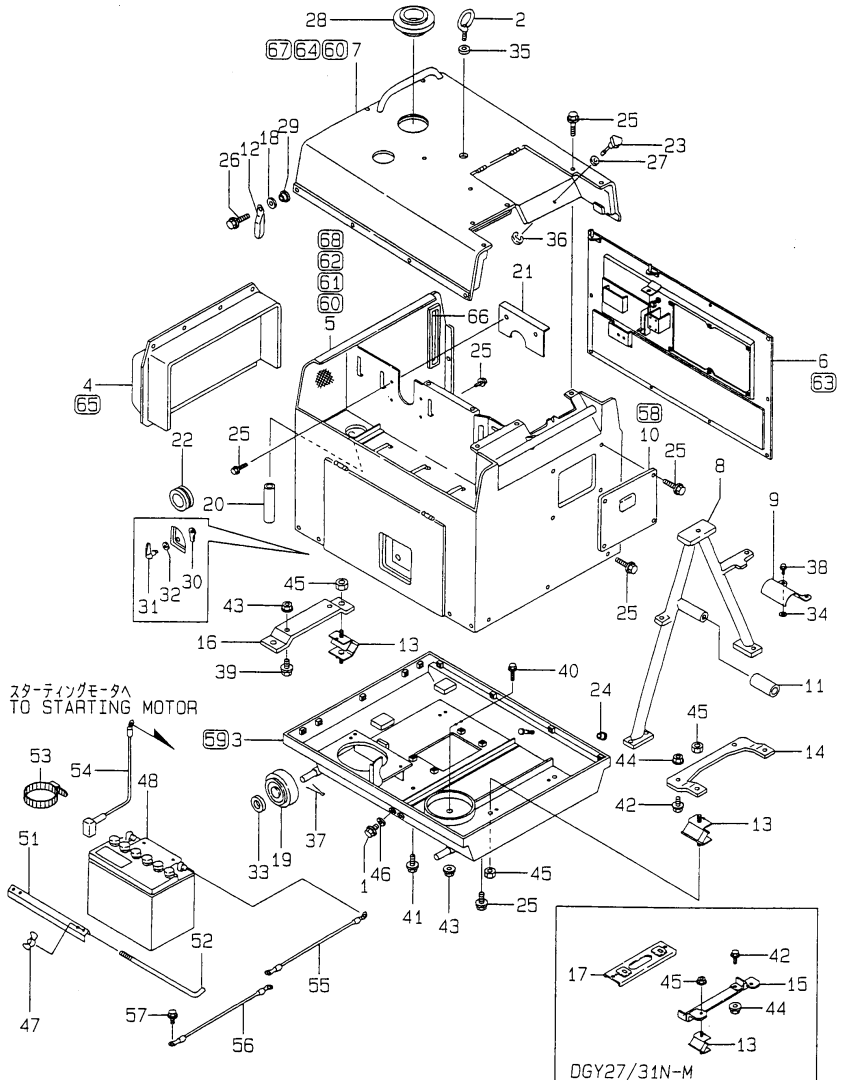
No.	Lev.	Parts No.	Description	Q'ty						I	R
				(A)	(B)	(C)	(D)	(E)	(F)		
1	1	183254-08100-1	FRAME ASSY	1							
2	1	183255-08110	FRAME ASSY		1						
3	2	X1A02513KF0	FRAME	1							
4	2	X1A02514KF0	FRAME		1						
5	2	X4A05719K02	NUT	4	4						
6	2	183250-08150	STOPPER	1	1						
7	2	183250-08160	RUBBER, STOPPER	1	1						
8	2	183284-08250	DAMPER	4	4						
9	2	26106-080162	BOLT, M8X 16 PLATED	2	2						
10	2	26106-080252	BOLT, M8X 25 PLATED	2	2						
11	2	26106-080352	BOLT, M8X 35 PLATED	2	2						
12	2	26366-080002	NUT, M8	4	4						
13	1	183255-79100	CABLE ASSY, BATTERY		1						
14	2	X3A06120K00	CORD ASSY		1						
15	2	X4A05899K01	BOLT, L198		2						
16	2	183251-79510	BATTERY, 12N18-3		1						
19	2	183251-79550	CABLE (+)		1						
20	2	183920-79560	CABLE, -		1						
21	2	183350-79630	RETAINER, BATTERY		1						
22	2	X4A05900K01	NUT		2						

Fig.16. SOUND PROOF CASE

(A)=DGY17/20N-2
(B)=DGY17/20N-E2
(C)=DGY17/20N-M

(D)=DGY27/31N-M
(E)=
(F)=

Y00D5700
DGY17~31N- (E) 2, M



注) 図番を□で囲んでいるものは、内側に付けるスポンジ、グラスウール又はシールを示しています。
Note) The enclosed drawing numbers indicate the parts lined with rubber sponge, glass wool or some kinds of seal.

No.	Lev.	Parts No.	Description	Q'ty						I	R
				(A)	(B)	(C)	(D)	(E)	(F)		
1	1	105425-01690	PLUG, 16			2	2				
2	1	105990-07920	BOLT, EYE M14			1	1				
3	1	183366-08051	CASE			1	1				
4	1	183366-08080-R	COVER			1	1				
5	1	183366-08091-R	CASE			1	1				
6	1	183267-08100-R	CASE			1	1				
7	1	183366-08111-R	CASE			1	1				
8	1	183294-08120	FRAME, LIFTING			1	1				
9A	1	183266-08150	STOPPER			1					
9B	1	183366-08150	STOPPER				1				
10	1	183366-08170-R	COVER			1	1				
11	1	183366-08180	RUBBER			1	1				
12	1	183366-08190-R	STOPPER			1	1				
13	1	183250-08220	DAMPER			4	4				
14	1	183266-08240	STAY, DAMPER			1					
15	1	183392-08230	STAY, DAMPER				1				
16	1	183267-08240	STAY, DAMPER			1					
17	1	183392-08250	STAY, DAMPER				1				
18	1	183366-08290	WASHER			1	1				
19	1	183266-08360	WHEEL, 100			4	4				
20	1	183366-08400	PIPE, WATER DRAIN			1	1				
21	1	183366-08461	FLANGE			1	1				
22	1	183366-08470	COVER, MUFFLER			1	1				
23	1	183101-08550	BOLT			1	1				
24	1	183210-08810	NUT			1	1				
25	1	183366-08900	BOLT, M6X14			52	52				
26	1	183267-08910	BOLT, M6X25			1	1				
27	1	183350-55130	WASHER			1	1				
28	1	183366-55210	GROMMET			1	1				
29	1	160810-55480	PIECE			1	1				
30	1	194312-61810	CAM, BONNET LOCK			1	1				
31	1	194555-61820	LEVER, BONNET LOCK			1	1				
32	1	194312-61840	WASHER, BWW-626			1	1				
33	1	22117-120000	WASHER, 12			4	4				
34	1	22137-080000	WASHER, 8			2	2				
35	1	22137-140000	WASHER, 14			1	1				
36	1	22272-000050	RING, E-5			4	1				
37	1	22417-320250	PIN, COTTER 3.2X25			4	4				
38	1	26106-080202	BOLT, M8X 20 PLATED			2	2				
39	1	26106-080252	BOLT, M8X 25 PLATED			2					
40A	1	26106-080602	BOLT, M8X 60 PLATED			1					
40B	1	26106-080452	BOLT, M8X 45 PLATED				1				
41	1	26106-100162	BOLT, M10X 16 PLATED			2	2				
42	1	26106-100382	BOLT, M10X 38 PLATED			2	3				
43	1	26366-080002	NUT, M8			4	4				
44	1	26366-100002	NUT, M10			2	2				
45	1	26696-100002	NUT, LOCK M10			8	8				
46	1	22190-160002	WASHER, SEAL 16			2	2				
47	1	101147-12550	NUT			2	2				
48	1	183350-79510	BATTERY ASSY, 26A19L			1	1				
51	1	183350-79630-1	RETAINER, BATTERY			1	1				

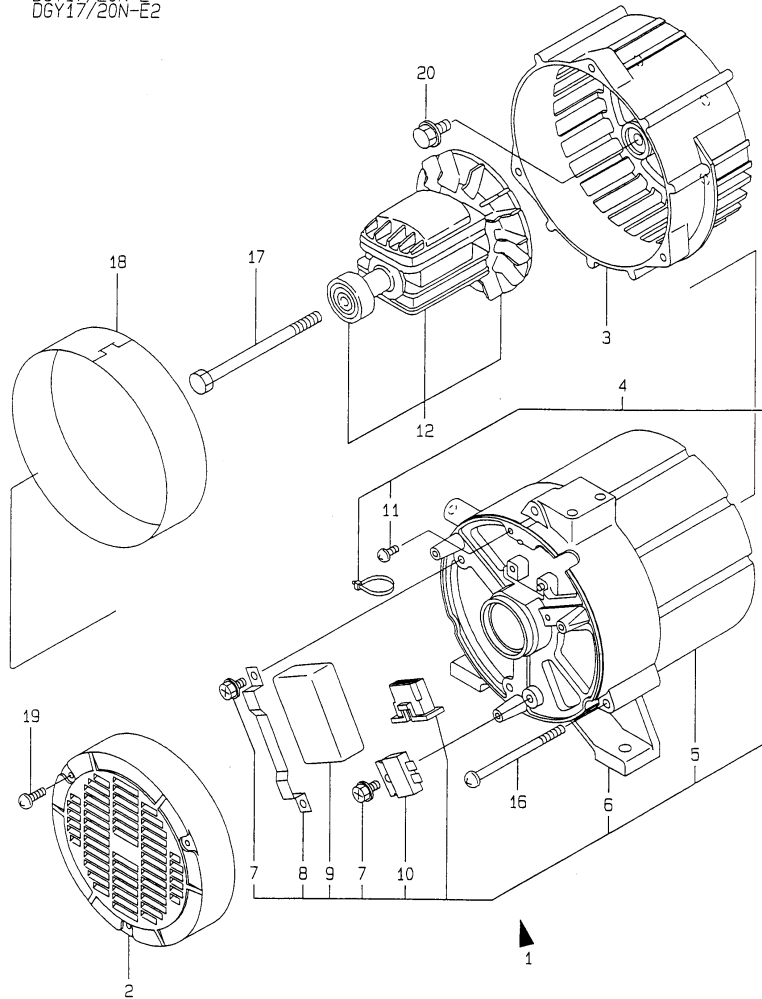
Fig.17. GENERATOR

(A)=DGY17/20N-2
 (B)=DGY17/20N-E2
 (C)=DGY17/20N-M

(D)=DGY27/31N-M
 (E)=
 (F)=

Y0005700
 DGY17~31N- (E) 2, M

DGY17/20N-2
 DGY17/20N-E2



No.	Lev.	Parts No.	Description	Q'ty						I	R
				(A)	(B)	(C)	(D)	(E)	(F)		
1A	1	183254-74100	GENERATOR, 50HZ	1	1						1
1B	1	183264-74100	GENERATOR ASSY, 60HZ	1	1						2
2	2	X2A04444K03	COVER	1	1						
3	2	X2A04946KA0	COVER	1	1						
4A	2	X2A05229KA0	STATOR ASSY, 50HZ	1	1						1
4B	2	X2A05229KB0	STATOR ASSY, 60HZ	1	1						2
5A	3	X2A05230KA0	STATOR	1	1						1
5B	3	X2A05230KB0	STATOR	1	1						2
6	3	X2A05231KA0	COVER	1	1						
7	3	X4M47065000	SCREW, M5X10	3	3						
8	3	X4M71519000	BAND	1	1						
9	3	183740-74170	CONDENSER	2	2						
10	3	183250-74460	RECTIFIER	1	1						
11	3	26023-040082	SCREW, M4X 8	1	1						
12	2	X2A05232KA0	ROTOR ASSY	1	1						
16	2	X3A06121K06	BOLT, THROUGH	4	4						
17	2	X3A06122K03	BOLT, M8XL190	1	1						
18	2	X4A05721K05	BAND	1	1						
19	2	26023-040162	SCREW, M4X16	3	3						
20	2	26106-080182	BOLT, M8X 18 PLATED	4	4						

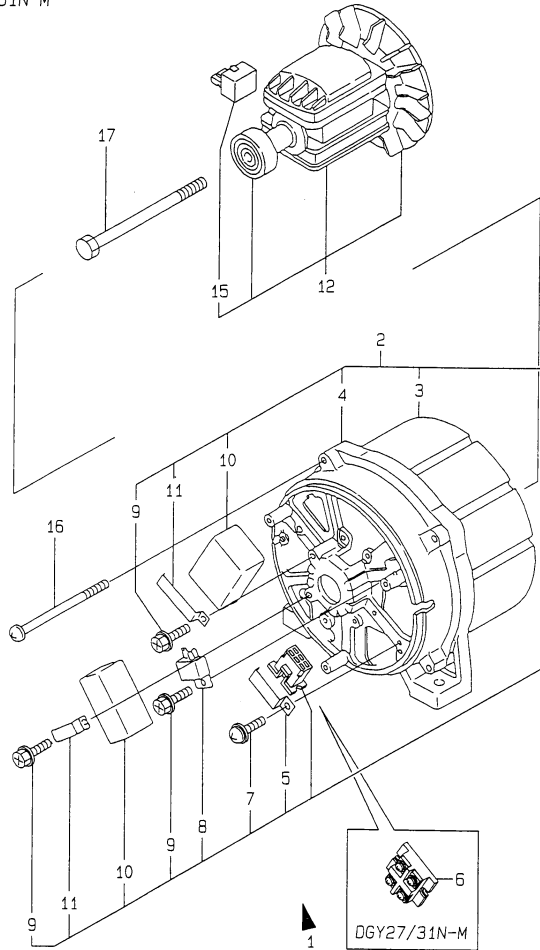
Remarks

- (1) FOR DGY17N-2/17N-E2.
- (2) FOR DGY20N-2/20N-E2.

Fig.18. GENERATOR

Y00D5700
DGY17~31N- (E) 2, M

DGY17/20N-M
DGY27/31N-M



(A)=DGY17/20N-2
(B)=DGY17/20N-E2
(C)=DGY17/20N-M

(D)=DGY27/31N-M
(E)=
(F)=

No.	Lev.	Parts No.	Description	Q'ty						I	R
				(A)	(B)	(C)	(D)	(E)	(F)		
1A	1	183284-74050	GENERATOR, 2.0KVA 50			1					1
1B	1	183288-74050	GENERATOR, 2.0KVA 60			1					2
1C	1	183384-74050	GENERATOR, 3.0KVA				1				3
1D	1	183388-74050	GENERATOR, 3.0KVA					1			4
2A	2	183730-74200	STATOR ASSY			1					1
2B	2	183740-74200	STATOR ASSY			1					2
2C	2	183830-74200	STATOR					1			3
2D	2	183840-74200	STATOR ASSY					1			4
3A	3	183730-74290	STATOR			1					1
3B	3	183740-74290	STATOR			1					2
3C	3	183830-74290	STATOR					1			3
3D	3	183840-74290	STATOR					1			4
4	3	183740-74250	COVER, REAR			1	1				
5	3	183740-74310	CLAMP			1					
6	3	183620-74270	TERMINAL					1			
7	3	183350-74380	SCREW, M4X14			1	1				
8	3	183210-74470	RECTIFIER			1	1				
9	3	183620-74310	SCREW M 5X10			3	3				
10	3	183740-74170	CONDENSER			2	2				
11	3	183740-74180	CLAMP			2	2				
12A	2	183741-74351	ROTOR ASSY			1					
12B	2	183840-74351	ROTOR ASSY					1			
15	3	183294-74080	RECTIFIER, ROTOR			1	2				
16A	1	183262-74410	BOLT, THROUGH M6X90			4					
16B	1	183362-74410	BOLT, THROUGH M6X110					4			
17A	1	26116-081902	BOLT, M8X190 PLATED			1					
17B	1	183382-74430	BOLT, M10X188					1			

Remarks

- (1) ONLY FOR DGY17N-M.
- (2) ONLY FOR DGY20N-M.
- (3) ONLY FOR DGY27N-M.
- (4) ONLY FOR DGY31N-M.

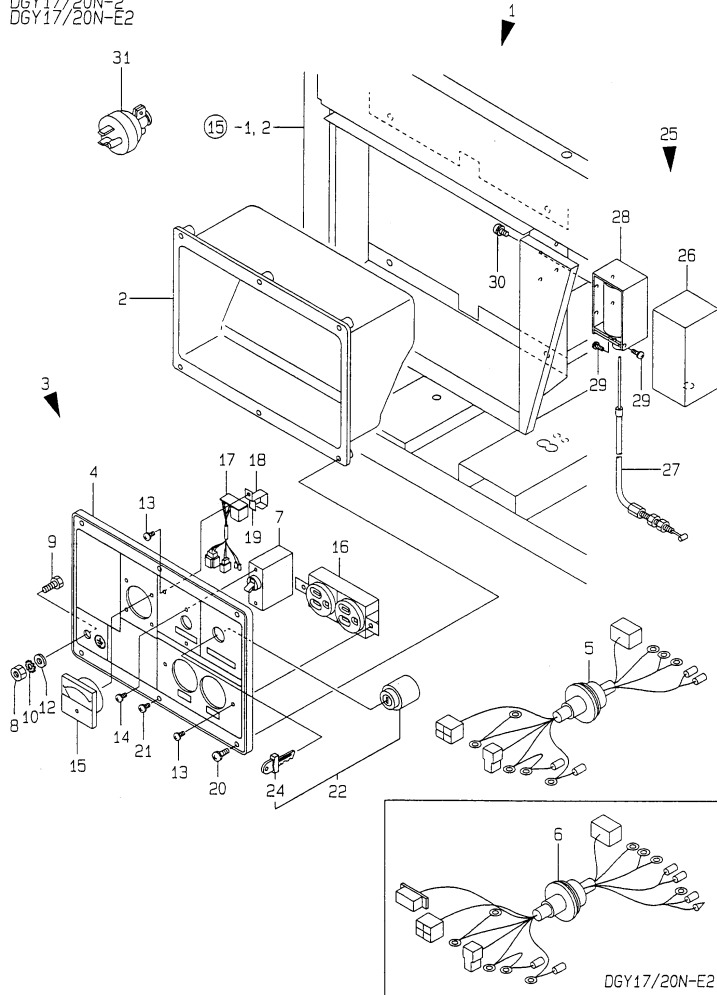
Fig.19. PANEL

(A)=DGY17/20N-2
 (B)=DGY17/20N-E2
 (C)=DGY17/20N-M

(D)=DGY27/31N-M
 (E)=
 (F)=

Y005700
 DGY17-31N- (E) 2, M

DGY17/20N-2
 DGY17/20N-E2



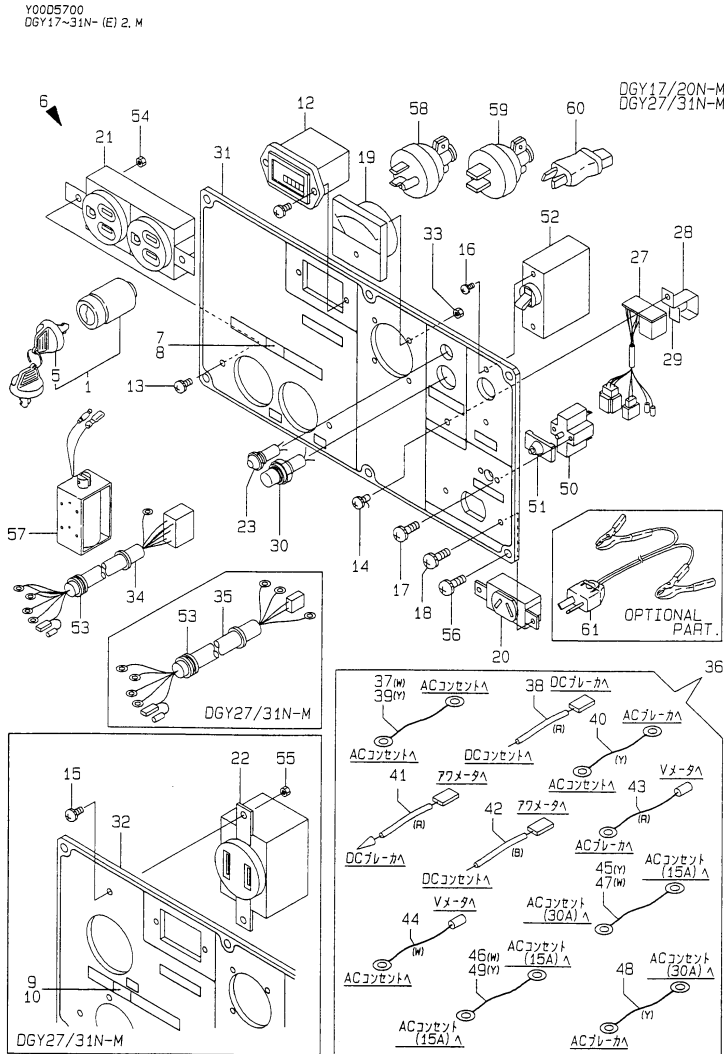
No.	Lev.	Parts No.	Description	Q'ty						I	R
				(A)	(B)	(C)	(D)	(E)	(F)		
1A	1	183254-91100	BOARD ASSY, SWITCH	1							1
1B	1	183264-91100	BOARD ASSY, SWITCH	1							2
1C	1	183255-91100	BOARD ASSY, SWITCH		1						3
1D	1	183265-91100	BOARD ASSY, SWITCH		1						4
2	2	X1A02279K01	BOX	1	1						
3A	2	X1A02465KA0	PANEL ASSY	1							1
3B	2	X1A02465KB0	PANEL ASSY	1							2
3C	2	X1A02466KA0	PANEL ASSY		1						3
3D	2	X1A02466KB0	PANEL ASSY		1						4
4	3	X2A05143KA0	PANEL	1	1						
5	3	X2A05174KA0	WIREHARNES	1							
6	3	X2A05175KA0	HARNES, WIRE		1						
7A	3	X2A06285K06	BREAKER, AC	1	1						1
7B	3	183000-96540	BREAKER, AC 20A	1	1						2
8	3	X4A02757K01	NUT	1	1						
9	3	X4A05872K01	BOLT	1	1						
10	3	X4A05873K01	WASHER	1	1						
11	3	X4M57215000	CLAMP	1	1						5
12	3	183350-55130	WASHER	1	1						
13	3	183976-91080	SCREW, M4X10	3	3						
14	3	183976-91090	SCREW, M3X5	2	2						
15	3	183730-91210	REGULATOR, VOLTAGE	1	1						
16	3	183920-91320	SOCKET, 125VX2	1	1						
17	3	183284-91600	RELAY ASSY	1	1						
18	3	183284-91680	HOLDER	1	1						
19	3	183284-91690	CUSHION	1	1						
20	2	X4A01031K01	SCREW	4	4						
21	2	X4A05871K01	SCREW	2	2						
22	2	183920-91450	SWITCH ASSY, KEY		1						
24	3	183920-91280	KEY, STARTER SWITCH		1						
25A	1	183254-66400	STOP DEVICE ASSY	1							
25B	1	183255-66400	STOP DEVICE ASSY		1						
26	2	183250-66410	COVER	1	1						
27A	2	183350-66420	WIRE, L=180	1							
27B	2	X3A06352K03	WIRE		1						
28	2	183972-91690	SOLENOID	1	1						
29	2	26022-040082	SCREW, M4X 8	2	2						
30	2	26023-030082	SCREW, M3X 8	4	4						
31	1	183720-91750	PLUG, 125VX15A	2							

Remarks

- (1) FOR DGY17N-2.
- (2) FOR DGY20N-2.
- (3) FOR DGY17N-E2.
- (4) FOR DGY20N-E2.
- (5) NOT ILLUSTRATED.

Fig.20. PANEL

(A)=DGY17/20N-2
 (B)=DGY17/20N-E2
 (C)=DGY17/20N-M
 (D)=DGY27/31N-M
 (E)=
 (F)=



No.	Lev.	Parts No.	Description	Q'ty						I	R
				(A)	(B)	(C)	(D)	(E)	(F)		
1	1	160797-77250	SWITCH ASSY, KEY			1	1				
5	2	160797-77270	KEY, REVERSE			1	1				
6A	1	183294-91050	PANEL ASSY			1					1
6B	1	183298-91050	PANEL ASSY			1					2
6C	1	183394-91050	PANEL ASSY				1				3
6D	1	183894-91050	PANEL ASSY				1				4
7	2	183284-07410	LABEL, AMPERE			1					1
8	2	183284-07400	LABEL, AMPERE			1					2
9	2	183394-07400	LABEL, AMPERE				1				3
10	2	183384-07400	LABEL, AMPERE				1				4
12	2	183367-91070	METER, HOUR			1	1				
13	2	183976-91080	SCREW, M4X10			2	2				
14	2	183976-91080	SCREW, M4X10			1	1				
15	2	183976-91080	SCREW, M4X10				2				
16	2	183976-91090	SCREW, M3X5			2	2				
17	2	183976-91090	SCREW, M3X5			2	2				
18	2	183294-91090	SCREW, M3X12			2	2				
19	2	183730-91210	REGULATOR, VOLTAGE			1	1				
20	2	183825-91250	CONSENT			1	1				
21	2	183920-91320	SOCKET, 125VX2			1	1				
22	2	183830-91320	SOCKET, 30A				1				
23	2	183794-91510	LAMP ASSY, PILOT			1	1				
27	2	183294-91600	RELAY ASSY			1	1				
28	2	183284-91680	HOLDER			1	1				
29	2	183284-91690	CUSHION			1	1				
30	2	183131-91701	LAMP, ALARM			1	1				
31	2	183294-91900	BOARD, PANEL			1					
32	2	183394-91900	BOARD, PANEL				1				
33	2	183925-91990	NUT, LOCK			2	2				
34	2	183294-95500	HARNESS, WIRE			1					
35	2	183394-95500	HARNESS, WIRE				1				
36A	2	183294-95810	HARNESS ASSY, WIRE			1					
36B	2	183394-95810	HARNESS ASSY, WIRE				1				
37	3	183284-95620	HARNESS, WIRE			1					
38	3	183294-95670	HARNESS, WIRE			1	1				
39	3	183284-95680	HARNESS, WIRE			1					
40	3	183294-95820	HARNESS, WIRE			1					
41	3	183294-95850	HARNESS, WIRE			1	1				
42	3	183294-95860	HARNESS, WIRE			1	1				
43	3	183294-95890	HARNESS, WIRE			1	1				
44	3	183294-95900	HARNESS, WIRE			1	1				
45	3	183888-95270	HARNESS, WIRE				1				
46	3	183284-95820	HARNESS, WIRE				1				
47	3	183384-95820	HARNESS, WIRE				1				
48	3	183294-95870	HARNESS, WIRE				1				
49	3	183384-95890	HARNESS, WIRE				1				
50	2	183284-96310	BREAKER, DC			1	1				
51	2	183284-96320	CAP, BREAKER			1	1				
52A	2	183000-96400	BREAKER, AC 17.5A			1					1
52B	2	183000-96540	BREAKER, AC 20A			1					2
52C	2	183000-96560	BREAKER, AC 27A				1				3

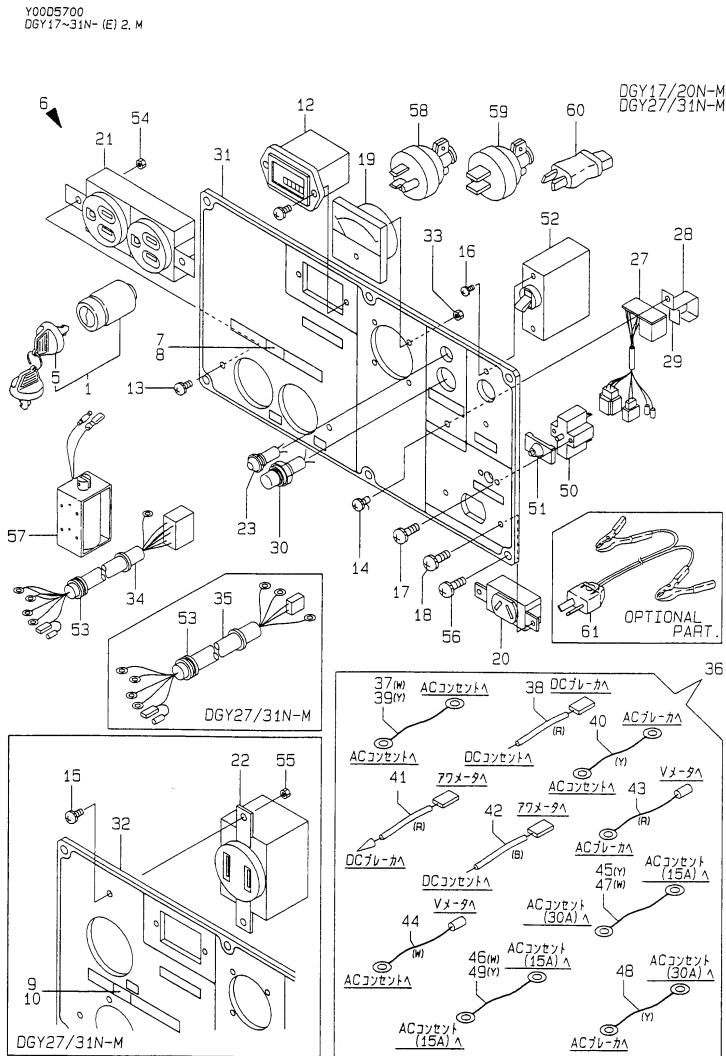
Remarks

- (1) FOR DGY17N-M.
- (2) FOR DGY20N-M.
- (3) FOR DGY27N-M.
- (4) FOR DGY31N-M.
- (5) OPTIONAL PART.

Fig.20. PANEL

(A)=DGY17/20N-2
 (B)=DGY17/20N-E2
 (C)=DGY17/20N-M
 (D)=DGY27/31N-M
 (E)=
 (F)=

No.	Lev.	Parts No.	Description	Q'ty						I	R
				(A)	(B)	(C)	(D)	(E)	(F)		
52D	2	183000-96520	BREAKER, AC 30A				1				4
53	2	183625-98040	GROMMET			1	1				
54	2	26757-040002	NUT, LOCK M4			2	2				
55	2	26757-040002	NUT, LOCK M4				2				
56	1	183896-91090	SCREW, M5X10			6	6				
57	1	183250-91690	DC.SOLENOID(12V.10W)			1	1				
58	1	183720-91750	PLUG, 125VX15A			1	1				
59	1	183392-91750	PLUG, 30A-250V				1				
60	1	183720-91790	PLUG, DC12V			1	1				
61	1	183210-91880	CABLE, CHARGING			1	1				5



Remarks

- (1) FOR DGY17N-M.
- (2) FOR DGY20N-M.
- (3) FOR DGY27N-M.
- (4) FOR DGY31N-M.
- (5) OPTIONAL PART.

Parts No. Index

Parts No.	Fig. No.	Ref. No.
101147-12550	16	47
101158-11180	2	8 B
101504-55051	10	4
103338-32570	6	12
	14	35
103854-01221	5	8
103854-55220	10	7
104200-55080	9	5
105010-11490	2	27 B
		28 B
105015-55040	10	3
105225-01240	1	8 B
105225-66990	6	56
105425-01690	1	21
	16	1
105546-51020	8	2
105546-51330	8	13
105990-07920	16	2
106990-44660	9	26
	10	15
		20
114250-01200	1	5 A
114250-01210	1	6 A
114250-01220	1	7 A
114250-01250	1	9 A
114250-01340	1	10 A
	14	21 A
114250-01380	1	11 A
	14	22 A
114250-01412	1	12
	14	23
114250-01800	1	25
114250-01830	1	30
114250-01841	1	31
	14	26
114250-02030	1	49
114250-02100	1	18
114250-02113	1	50 A
114250-02200	1	54
114250-02210	1	56
114250-03591	2	42
114250-03640	2	45
114250-11020	2	1 A
114250-11101	2	5 A
114250-11113	2	6 A
114250-11120	2	7 A
114250-11180	2	8 A
114250-11240	2	20
		25
114250-11290	2	11

Parts No.	Fig. No.	Ref. No.
114250-11311	2	38
	14	30
114250-11340	2	14 A
	14	28 A
114250-11460	2	15
	14	29
114250-11600	2	17
114250-11651	2	18
114250-11900	2	29
114250-11951	2	39 B
114250-12010	3	1
114250-12201	3	3
	14	31
114250-12211	3	5
	14	33
114250-12520	3	10
114250-12530	3	11
114250-12550	3	15
114250-12560	3	13
114250-12580	3	14
114250-13201	4	1
	14	34
114250-14200	5	5
114250-14260	5	6
114250-14450	5	7 A
114250-21550	5	22
114250-22302	5	32 A
114250-23200	5	37
114250-23220	5	38
114250-23250	5	39
114250-32010	6	1
114250-32070	6	6
114250-35070	6	15
114250-35150	1	36
114250-45211	7	4
114250-45300	7	7
114250-45310	7	9
114250-45330	7	12
114250-51080	8	3
114250-51160	8	4
114250-51300	8	10
114250-51340	8	14
114250-51600	8	16
114250-51640	8	17
114250-51650	8	18
114250-53001	8	22 A
114250-53080	8	25
114250-53120	8	26
114250-53130	8	27
114250-53140	8	28

Parts No.	Fig. No.	Ref. No.
114250-53210	8	29
114250-53300	8	30
114250-53331	8	33
114250-53400	8	34
114250-55121	10	8
114250-55130	10	9
114250-59800	8	41 B
114250-66200	6	35
114250-66440	6	41
114250-66550	6	51 B
114250-76590	7	43
114250-92101	14	9
114250-92130	14	10
114250-92301	14	16 A
114250-92311	14	17 A
114250-92350	14	18 A
114250-92600	14	1
114252-13950	4	8
114252-66120	6	34
114252-66252	6	39
114260-01454	1	14
114260-76520	7	30
114261-07350	12	27
114262-21600	5	20
114270-01600	1	41
114270-61520	6	25
114350-01200	1	5 B
114350-01210	1	6 B
114350-01220	1	7 B
114350-01250	1	9 B
114350-01340	1	10 B
	14	21 B
114350-01380	1	11 B
	14	22 B
114350-01412	1	13
	14	24
114350-01700	1	3
114350-02100	1	19
114350-02113	1	50 B
114350-02200	1	55
114350-02210	1	57
114350-11101	2	5 B
114350-11113	2	6 B
114350-11120	2	7 B
114350-11340	2	14 B
	14	28 B
114350-11470	2	16
114350-12011	3	2
114350-12202	3	4
	14	32

Parts No.	Fig. No.	Ref. No.
114350-14450	5	7 B
114350-22301	5	32 B
114350-45320	7	10
114350-45340	7	13
114350-59800	8	41 C
114350-92311	14	17 B
114350-92350	14	18 B
114351-78251	11	26
114351-78751	11	27
114351-78761	11	28
114361-92300	14	16 B
114362-21600	5	21
114362-77011	11	1
114370-45350	7	26
114371-77160	11	7
114371-77170	11	13
114371-79040	11	8
114371-79050	11	9
114371-79060	11	10
114371-79070	11	17
114380-23100	5	42 C
114381-77110	11	2
114381-77130	11	5
114381-77140	11	6
114381-77150	11	12
114650-12350	3	6
114658-13800	4	20
114770-61190	6	27
114770-61600	6	28
114770-61610	6	26
114770-66010	6	30
114770-66550	6	51 A
114780-21400	5	15
114780-45100	7	1
114781-21590	5	16
114870-11021	2	1 B
114870-45201	7	5
114870-53000	8	22 B
114870-66010	6	31
114883-66060	6	32
118200-23200	5	37 -1
119260-11370	2	27 A
		28 A
121750-59890	16	53
124550-51350	8	15
124722-59050	9	27
	10	18
124950-01250	1	8 A
129100-61850	2	50
160110-01870	1	32

Parts No. Index

Parts No.	Fig. No.	Ref. No.
160110-02220	1	51
		52 B
160210-02220	1	52 A
160260-76520	7	31
160260-76530	7	32
160260-76540	7	33
160260-76550	7	34
160260-76560	7	35
160260-76580	7	37
160260-76590	7	38
160260-76600	7	39
160260-76620	7	41
160260-76630	7	42
160290-76570	7	36
160330-92730	14	2
160393-55050	9	14
160670-66350	2	51
160710-01760	1	22 A
160710-55061	9	7
160710-55100	9	15
	10	5
160710-78710	11	29
160797-77250	20	1
160797-77270	20	5
160810-55480	16	29
160910-01740	1	22 B
160970-77350	11	19
170903-07420	12	30
171008-03990	10	19
171022-39470	1	39
183000-96400	20	52 A
183000-96520	20	52 D
183000-96540	19	7 B
	20	52 B
183000-96560	20	52 C
183101-08550	16	23
183131-91701	20	30
183210-07390	12	25
183210-08810	16	24
183210-74470	18	8
183210-91880	20	61
183211-07570	13	3
183250-01451	1	15
183250-03410	2	34
183250-03450	2	35
183250-03510	2	36
183250-03550	2	37
183250-03601	2	41
183250-07450	12	21
183250-07480	12	14

Parts No.	Fig. No.	Ref. No.
183250-07750	12	28
183250-08150	15	6
183250-08160	15	7
183250-08220	16	13
183250-11951	2	39 A
183250-21350	5	14 A
183250-39450	1	37
183250-51200	8	5 A
183250-55320	10	12
183250-59040	9	25
183250-59800	8	41 A
183250-66321	6	44
183250-66331	6	40
		45
183250-66341	6	46
183250-66361	6	48
183250-66410	19	26
183250-66511	6	42
183250-74460	17	10
183250-91690	20	57
183251-79510	15	16
183251-79550	15	19
183251-79560	16	54
183251-79570	16	56
183254-07240	12	2 A
183254-07450	12	12
183254-08100-1	15	1
183254-55110-3	9	1
183254-55120	9	18
183254-59100	9	22
183254-66400	19	25 A
183254-74100	17	1 A
183254-91100	19	1 A
183254-92350	14	19 A
183255-08110	15	2
183255-66400	19	25 B
183255-79100	15	13
183255-91100	19	1 C
183256-78300	11	21
183256-78310	11	22
183257-07900	12	23 A
183262-74410	18	16 A
183262-92350	14	19 B
183264-07240	12	2 B
183264-74100	17	1 B
183264-91100	19	1 B
183265-07240	12	2 D
183265-91100	19	1 D
183266-08150	16	9 A
183266-08240	16	14

Parts No.	Fig. No.	Ref. No.
183266-08360	16	19
183266-21590	5	17
183266-45110-2	7	2
183266-45360	7	14
183266-45460	7	16 A
183266-66110	6	33
183266-66210	6	36
183266-66230	6	37
183267-07230	12	22
183267-07900	12	23 B
183267-08100-R	16	6
183267-08240	16	16
183267-08910	16	26
183267-66240	6	38
183267-66350	6	29
183267-91390	11	23
183284-07400	20	8
183284-07410	20	7
183284-07790	12	32
183284-08250	15	8
183284-13050	4	4
183284-13500	4	6
183284-13550	4	7
183284-74050	18	1 A
183284-91600	19	17
183284-91680	19	18
	20	28
183284-91690	19	19
	20	29
183284-95620	20	37
183284-95680	20	39
183284-95820	20	46
183284-96310	20	50
183284-96320	20	51
183288-74050	18	1 B
183292-07210	12	20
183294-07230	12	24 A
183294-08120	16	8
183294-13601	4	12 A
183294-74080	18	15
183294-91050	20	6 A
183294-91090	20	18
183294-91600	20	27
183294-91900	20	31
183294-95300	7	46
183294-95350	16	60
183294-95400	16	61
183294-95500	20	34
183294-95670	20	38
183294-95810	20	36 A

Parts No.	Fig. No.	Ref. No.
183294-95820	20	40
183294-95850	20	41
183294-95860	20	42
183294-95870	20	48
183294-95890	20	43
183294-95900	20	44
183298-07230	12	24 B
183298-91050	20	6 B
183350-01451	1	16
183350-21350	5	14 B
183350-51200	8	5 B
183350-55130	6	57
	16	27
	19	12
183350-66420	19	27 A
183350-74380	18	7
183350-77400	11	20
183350-79510	16	48
183350-79630	15	21
183350-79630-1	16	51
183356-07310	12	29
183357-07900	12	23 C
183362-74410	18	16 B
183362-92350	14	19 C
183366-07240	12	26
183366-07251	12	19
183366-07280	12	18
183366-08051	16	3
183366-08080-R	16	4
183366-08091-R	16	5
183366-08111-R	16	7
183366-08150	16	9 B
183366-08170-R	16	10
183366-08180	16	11
183366-08190-R	16	12
183366-08290	1	33
	16	18
183366-08351	1	34
183366-08400	16	20
183366-08461	16	21
183366-08470	16	22
183366-08900	16	25
183366-12530	3	12
183366-12590	3	16
183366-13300	4	5
183366-21590	5	18
183366-39460	1	38
183366-45111-1	7	3
183366-45220	7	6
183366-45300	7	8

Parts No. Index

Parts No.	Fig. No.	Ref. No.
183366-45320	7	11
183366-45410	7	15
183366-45460	7	16 B
183366-45600	7	17
183366-55150	10	6
183366-55210	16	28
183366-59010	10	14
183366-59330	10	21
183366-59341	10	22 A
183366-59351	10	22 B
183366-95240	16	58
183366-95300	16	59
183366-95500	16	62
183366-95520	16	63
183366-95530	16	64
183366-95550	16	65
183366-95680	16	67
183366-95852	16	68
183366-95950	16	66
183367-07900	12	23 D
183367-91070	20	12
183382-74430	18	17 B
183384-07400	20	10
183384-74050	18	1 C
183384-95820	20	47
183384-95890	20	49
183388-74050	18	1 D
183392-08230	16	15
183392-08250	16	17
183392-91750	20	59
183394-07230	12	24 C
183394-07400	20	9
183394-13601	4	12 B
183394-91050	20	6 C
183394-91900	20	32
183394-95500	20	35
183394-95810	20	36 B
183398-07230	12	24 D
183610-07230	12	10
183614-07710	13	2
183614-07720	13	5
183614-07740	13	1
183614-07750	12	13
183620-07230	12	11
183620-74270	18	6
183620-74310	18	9
183625-98040	20	53
183632-07600	12	31
183671-13211	4	2
183671-59060	10	23

Parts No.	Fig. No.	Ref. No.
183720-55210	7	18
	9	20
	10	11
183720-91750	19	31
	20	58
183720-91790	20	60
183730-74200	18	2 A
183730-74290	18	3 A
183730-91210	19	15
	20	19
183740-74170	17	9
	18	10
183740-74180	18	11
183740-74200	18	2 B
183740-74250	18	4
183740-74290	18	3 B
183740-74310	18	5
183741-74351	18	12 A
183794-91510	20	23
183825-91250	20	20
183830-74200	18	2 C
183830-74290	18	3 C
183830-91320	20	22
183840-74200	18	2 D
183840-74290	18	3 D
183840-74351	18	12 B
183855-07240	12	2 C
183888-95270	20	45
183894-07710	13	4
183894-07711	13	4 -1
183894-91050	20	6 D
183896-91090	20	56
183920-79560	15	20
	16	55
183920-79650	16	52
183920-91280	19	24
183920-91320	19	16
	20	21
183920-91450	19	22
183925-91990	20	33
183972-91690	19	28
183976-91080	19	13
	20	13
		14
		15
183976-91090	19	14
	20	16
		17
194312-61810	16	30
194312-61840	16	32

Parts No.	Fig. No.	Ref. No.
194555-61820	16	31
22117-100000	1	40
22117-120000	16	33
22137-080000	16	34
22137-140000	16	35
22190-120002	9	6
22190-160002	1	48
	14	27
	16	46
22213-080000	4	14
22217-080000	6	65
22252-000190	5	33 A
22252-000210	5	33 B
22272-000050	16	36
22312-030080	5	40
22312-030160	2	47
	6	13
22322-030200	6	23
		24
22351-020006	8	19
22351-030008	8	20
22351-030012	6	58
22351-040008	2	30
22417-320250	16	37
22512-040120	5	23
24162-152112	1	53
24311-000180	1	24
	14	25
24341-000150	10	13
24341-000224	6	16
	14	36
24341-000450	9	19
26013-080302	4	17
26014-060142	4	16
26014-080302	7	21
26022-040082	19	29
26023-030082	6	59
	19	30
26023-040082	17	11
26023-040162	17	19
26106-060082	7	22
		44
26106-060122	7	23
		45
		46
	11	24
	16	57
26106-060142	7	20
26106-060162	6	17
		50
26106-060202	2	52

Parts No.	Fig. No.	Ref. No.
26106-060202	4	19
	6	62
26106-060252	1	42
	3	17
26106-060552	2	53
26106-080122	1	35
26106-080162	4	15
	15	9
26106-080182	17	20
26106-080202	16	38
26106-080252	15	10
	16	39
26106-080352	1	43
	15	11
26106-080452	2	31
	16	40 B
26106-080602	16	40 A
26106-100122	1	4
26106-100162	16	41
26106-100302	11	25
26106-100382	16	42
26116-060454	14	12
26116-080454	14	13
26116-081902	18	17 A
26216-080182	4	3
26226-060142	3	18
26226-060182	1	44
26226-060222	1	45
26226-060502	2	32
26226-060552	3	20
26347-060002	6	66
26366-060002	1	46
	2	33
		54
	3	19
	9	21
	10	10
26366-080002	4	18
	15	12
	16	43
26366-100002	16	44
26476-060142	2	55
	6	14
		60
	7	24
	11	30
26476-060202	6	61
	7	25
	11	31
26557-040082	1	47

Parts No. Index

Parts No.	Fig. No.	Ref. No.
26557-060142	7	19
26577-060142	11	32
26696-100002	6	63
	16	45
26716-060002	14	14
26716-080002	14	15
26756-060002	2	21
		26
		56
26756-080002	6	67
26757-040002	20	54
		55
26757-060002	6	64
27310-060001	2	9 B
28110-100120	14	6
28110-140170	14	7
28210-000150	14	8
714250-11570	2	9 A
714250-12560	3	7
714250-22502	5	26 A
714250-22542	5	45 A
714250-22550	5	51 A
714250-23600	5	41 A
714250-23610	5	55 A
714250-23620	5	57 A
714250-23703	5	34 A
714250-53101	8	21 A
714250-61501	6	18 A
714250-92604	14	20 A
714260-76821	7	28
714270-01560	1	1 A
714270-11660	2	22 A
714271-01560	1	1 B
714280-22580	5	49 A
714280-22620	5	43 A
714280-22720	5	24 A
714350-22502	5	26 B
714350-22542	5	45 B
714350-22550	5	51 B
714350-23600	5	41 B
714350-23610	5	55 B
714350-23620	5	57 B
714350-23704	5	34 B
714350-61501	6	18 B
714350-92604	14	20 B
714370-11660	2	22 B
714371-01560	1	1 C
714380-22580	5	49 B
714380-22620	5	43 B
714380-22720	5	24 B

Parts No.	Fig. No.	Ref. No.
714380-23600	5	41 B-1
714380-23610	5	55 B-1
714380-23620	5	57 B-1
714380-23700	5	34 B-1
714770-61700	6	7
714780-14580	5	1 A
714780-14581	5	1 A-1
714870-53100	8	21 B
714880-14580	5	1 B
783250-51701	8	1 A
783292-21700	5	9 A
783350-51701	8	1 B
783366-12560	3	8
783366-55700	10	1
783392-21700	5	9 B
783886-21700	5	9 B-1
7E4133-99290	14	3
X1A02279K01	19	2
X1A02465KA0	19	3 A
X1A02465KB0	19	3 B
X1A02466KA0	19	3 C
X1A02466KB0	19	3 D
X1A02513KF0	15	3
X1A02514KF0	15	4
X2114274200	11	18
X2114275010	11	15
X2114455080	11	11
X2114560130	11	14
X2114680050	11	16
X2114715500	11	4
X2114811000	11	3
X2A04444K03	17	2
X2A04946KA0	17	3
X2A05143KA0	19	4
X2A05174KA0	19	5
X2A05175KA0	19	6
X2A05229KA0	17	4 A
X2A05229KB0	17	4 B
X2A05230KA0	17	5 A
X2A05230KB0	17	5 B
X2A05231KA0	17	6
X2A05232KA0	17	12
X2A05276KD0	9	2
X2A06285K06	19	7 A
X3A06120K00	15	14
X3A06121K06	17	16
X3A06122K03	17	17
X3A06123K03	9	16
X3A06146KA0	9	3
X3A06330K01	12	3 A

Parts No.	Fig. No.	Ref. No.
X3A06330K02	12	3 B
X3A06330K03	12	3 C
X3A06330K04	12	3 D
X3A06339K01	12	4
X3A06341K01	12	5
X3A06352K03	19	27 B
X3A06356K01	9	23
X3A06813K01	12	6
X3A06856K01	12	7
X3A06873KA0	9	24
X3A06917K01	12	8 A
X3A06917K02	12	8 B
X3A06917K03	12	8 C
X3A06917K04	12	8 D
X4A01031K01	19	20
X4A02757K01	19	8
X4A05719K02	15	5
X4A05721K05	17	18
X4A05871K01	19	21
X4A05872K01	19	9
X4A05873K01	19	10
X4A05899K01	15	15
X4A05900K01	15	22
X4M47065000	17	7
X4M57215000	19	11
X4M71519000	17	8
X5M07994000	9	17

Parts No.	Fig. No.	Ref. No.
-----------	----------	----------