

0CD10-M56900EN

# PREFACE

1. This Parts Catalog is the 1st edition of EGY17M/20M Diesel Engine for SHIN-DAIWA.

Pub. No. : 000Y00D5690

Published : March, 1996

2. Model name

Engine model	Vehicle		Vehicle made by
	Products	Model name	
EGY17M/20M	—	—	SHIN-DAIWA

## Directions for the Parts Catalog.

1. This Parts Catalog shows both standard and optional parts.
2. Parts may change without prior notice.
3. The following is an example of the Parts Catalog format.

REF.	LEV.	PARTS NO.	DESCRIPTION	Q'TY						I	R
				(A)	(B)	(C)	(D)	(E)	(F)		
1	1	729595-51390	FUEL INJECTION PUMP	1	1	1	1	1			1
1-1	1	729595-51391	FUEL INJECTION PUMP	1	1	1	1	1		N	1
		(A=E00185) (B=E00200)									
3	2	26022-060162	SCREW M 6X 16	9	9	9	9	9			
3-1	2	26022-060162	SCREW M 6X 16	4	4	4	4	4		K	
		(A=E00156) (B=E00156) (C=E00156) (D=E00156) (E=E00156)									
4	2	129470-51040	CAMSHAFT	1	1	1	1	1			
5	2	122710-51050	BEARING, ROLLER	2	2	2	2	2			
6	2	129470-51060	RETAINER	1	1	1	1	1			

Remarks
(1) BOOST COMPEMSATOR TYPE. OPTIONAL PART, TO E00155,(4JH-DT, 4JH-DTZ

### ① Ref. No.

The Ref. No. listed may not be in accordance with the illustration Ref. No.

(Ex.) Illustration No.

List Ref No.

1

1

(Before change)

1-1

(After change)

For interchangeable symbols N, R and K, illustrations for new parts may be abbreviated.

### ② Lev. (Level)

Level indication

The numbers below indicate the level of relativity towards the main part.

1 ----- Main parts (Assembly parts)

2 ----- Sub component included in " 1 ".

3 ----- Sub component included in " 2 ".

Note) Parts that are not for sale are partially illustrated but not listed.

### ③ Interchangeability Symbol

When a part change takes place, one of the following interchangeability symbols is indicated beside the part.

Symbol	Interchangeability	Contents note
N	Old $\begin{matrix} \leftarrow \text{Yes} \\ \text{No} \rightarrow \end{matrix}$ New	New Part is interchangeable for Old Part but Old Part is not interchangeable for New Part.
Q	Old $\begin{matrix} \leftarrow \text{No} \\ \text{Yes} \rightarrow \end{matrix}$ New	New Part is not interchangeable for Old Part but Old Part is interchangeable for New Part.
R	Old $\begin{matrix} \leftarrow \text{Yes} \\ \text{Yes} \rightarrow \end{matrix}$ New	New/ Old Parts are both interchangeable.
S	Old $\begin{matrix} \leftarrow \text{No} \\ \text{No} \rightarrow \end{matrix}$ New	New/ Old Parts are both not interchangeable.
W		Part newly added.
Z		Part discontinued.
F		Not interchangeable by a single part but interchangeable together with related parts.
K		Changes only for used parts quantities.

### ④ Effective Machine No.

When a part changes, the effective Machine No. will be indicated in the (A)-(F) column.

Product Symbol	Product No.	Product Symbol	Product No.
C	Clutch No. Compressor No.	F	Machine No. (Agricultural Equip.)
D	Drive No.	M	Machine No.
E	Engine No.		

Note 1) A date may follow the symbol. (Ex.) 1996.01

Note 2) "XXXXX" and "ZZZZZ" are for parts that could not be predicted or for engine models that could not be identified.

Note 3) (A=E00185) is the E (Engine Serial Number) for the column (A) model (in this case 4JH-DT) after the parts design change.

### ⑤ Remarks

Figures or alphabets (symbols) are entered in the remarks column.

The comments (remarks) on parts that are indicated at the bottom of the illustration are the same symbols as those stated above.

# Contents

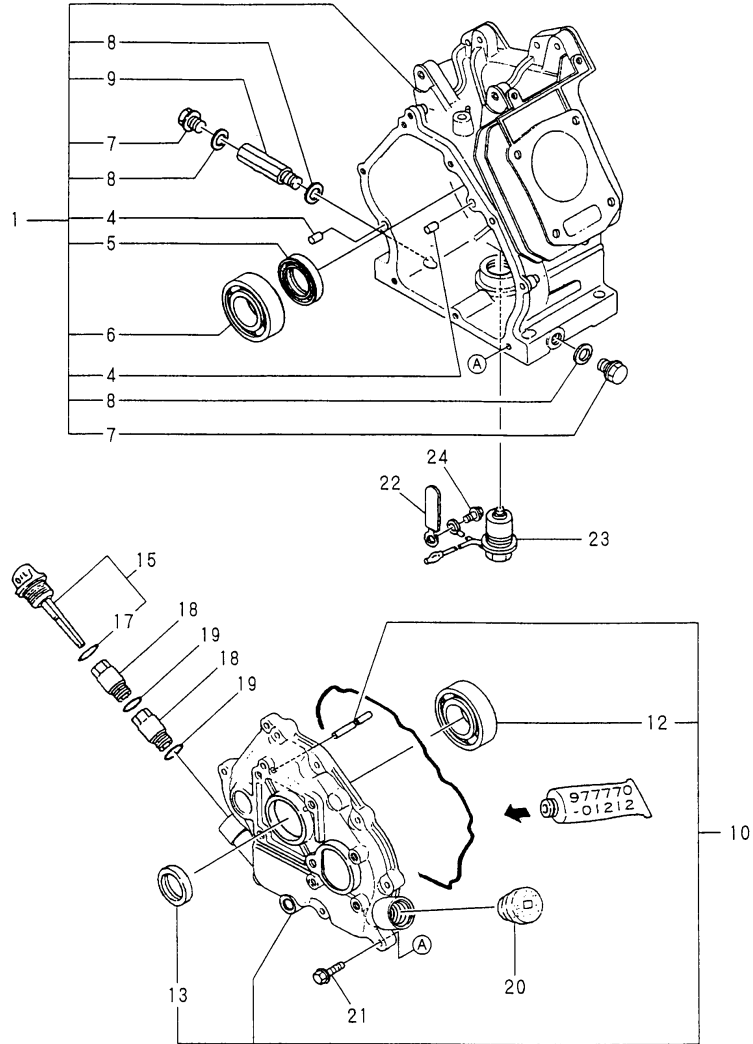
Fig. No.    Fig. Name

Fig. No.    Fig. Name

EGY17M-N/20M-N

1. CYLINDER BLOCK
2. CYLINDER HEAD & BONNET
3. AIR CLEANER & MUFFLER
4. CRANKSHAFT,PISTON & CAMSHAFT
5. FUEL TANK & FUEL PIPE
6. CARBURETOR
7. GOVERNOR & CONTROL DEVICE
8. FLY.MAGNETO & STARTING DEVICE
9. TOOL & LABEL
10. SOUND-PROOF CASE
11. GENERATOR
13. (11A)RECTIFIER & HARNESS(FROM EZZZZZ)
12. PANEL

Fig.1. CYLINDER BLOCK

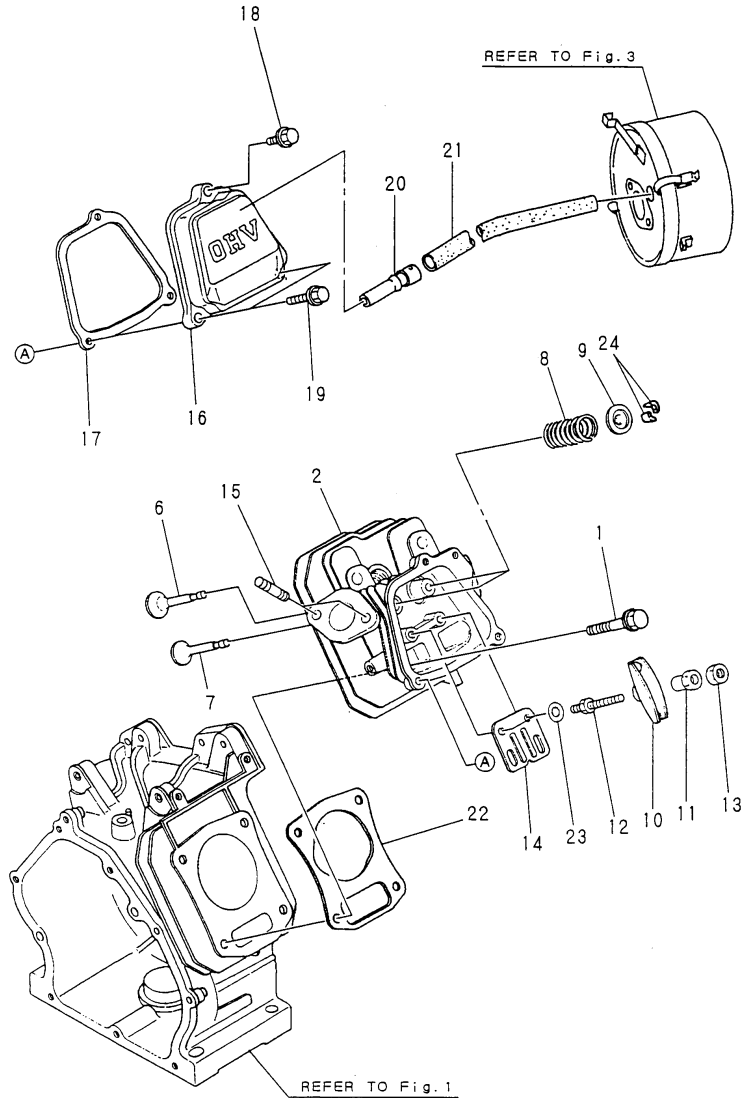


(A)=EGY17M-N  
(B)=EGY20M-N  
(C)=

(D)=  
(E)=  
(F)=

No.	Lev.	Parts No.	Description	Q'ty						I	R
				(A)	(B)	(C)	(D)	(E)	(F)		
1	1	760697-01560	BLOCK ASSY, CYLINDER	1	1						
4	2	114270-01600	PIN, M8X12	2	2						
5	2	160690-02220	SEAL, TC25416	1	1						
6	2	24101-062050	BEARING, BALL 6205C3	1	1						
7	2	160610-01690	PLUG, M12	2	2						
8	2	104200-59170	GASKET, 12	3	3						
9	2	160802-01700	JOINT, DRAIN	1	1						
10	1	760694-01500	COVER ASSY	1	1						
12	2	24101-062050	BEARING, BALL 6205C3	1	1						
13	2	160690-02220	SEAL, TC25416	1	1						
15	1	160591-01760	CAP ASSY	1	1						
17	2	24311-000180	O-RING, 1AP18.0	1	1						
18	1	160797-01851	JOINT	2	2						
19	1	24311-000180	O-RING, 1AP18.0	2	2						
20	1	160110-01870	PLUG, RUBBER	1	1						
21	1	26476-060252	SCREW, TAPPING M6X25	8	8						
22	1	160260-78700	CLAMP	1	1						
23	1	160770-78820	SENSOR	1	1						
24	1	26476-060142	SCREW, TAPPING M6X14	1	1						

Fig.2. CYLINDER HEAD & BONNET

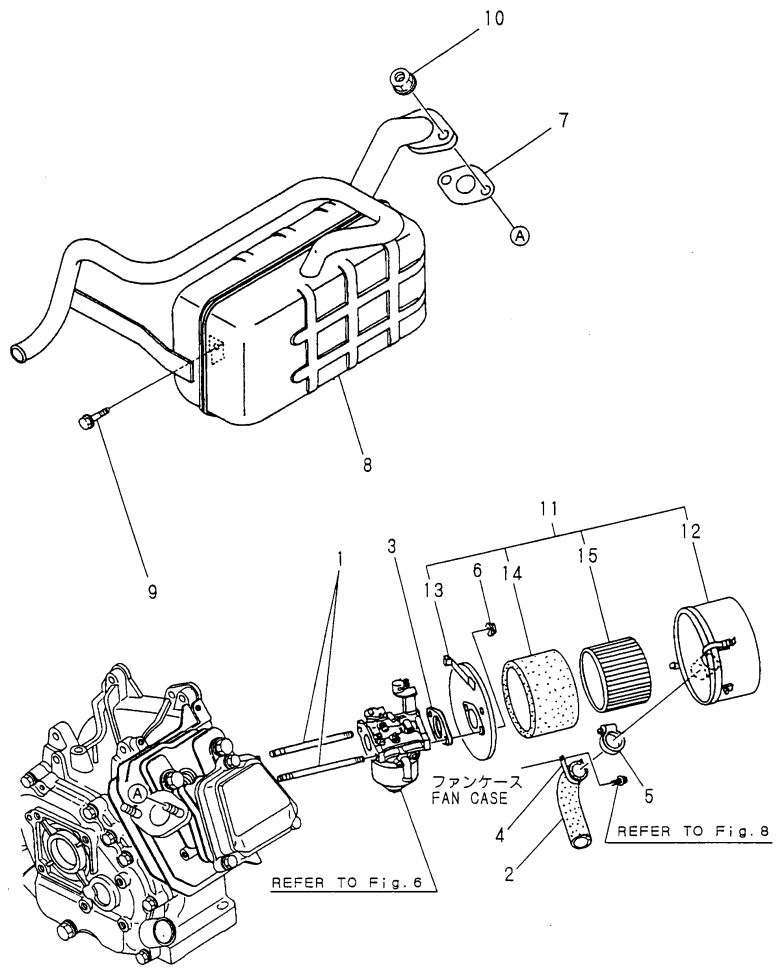


(A)=EGY17M-N  
(B)=EGY20M-N  
(C)=

(D)=  
(E)=  
(F)=

No.	Lev.	Parts No.	Description	Q'ty						I	R
				(A)	(B)	(C)	(D)	(E)	(F)		
1	1	160610-04201	BOLT, FLANGE M8X53	4	4						
2	1	160690-11010	HEAD, CYLINDER	1	1						
6	1	160690-11130	VALVE, INTAKE	1	1						
7	1	160690-11140	VALVE, EXHAUST	1	1						
8	1	160690-11150	SPRING, VALVE	2	2						
9	1	101158-11180	RETAINER, SPRING	2	2						
10	1	160690-11200	ARM, ROCKER	2	2						
11	1	160690-11220	PIVOT, ROCKER ARM	2	2						
12	1	160690-11271	BOLT	2	2						
13	1	160690-11280	NUT, M6X0.5	2	2						
14	1	160690-11290	PLATE, GUIDE	1	1						
15	1	160690-11050	BOLT, 2D M8X18	2	2						
16	1	160690-11300	BONNET	1	1						
17	1	160690-11310	GASKET, BONNET	1	1						
18	1	26106-060202	BOLT, M6X 20 PLATED	1	1						
19	1	26106-060352	BOLT, M6X 35 PLATED	2	2						
20	1	160690-03050	BREATHER	1	1						
21	1	160810-03180	PIPE , BREATHER	1	1						
22	1	160690-01330	GASKET, HEAD	1	1						
23	1	22137-060000	WASHER, 6	2	2						
24	1	27310-060001	COTTER, 6	2	2						

Fig.3. AIR CLEANER & MUFFLER

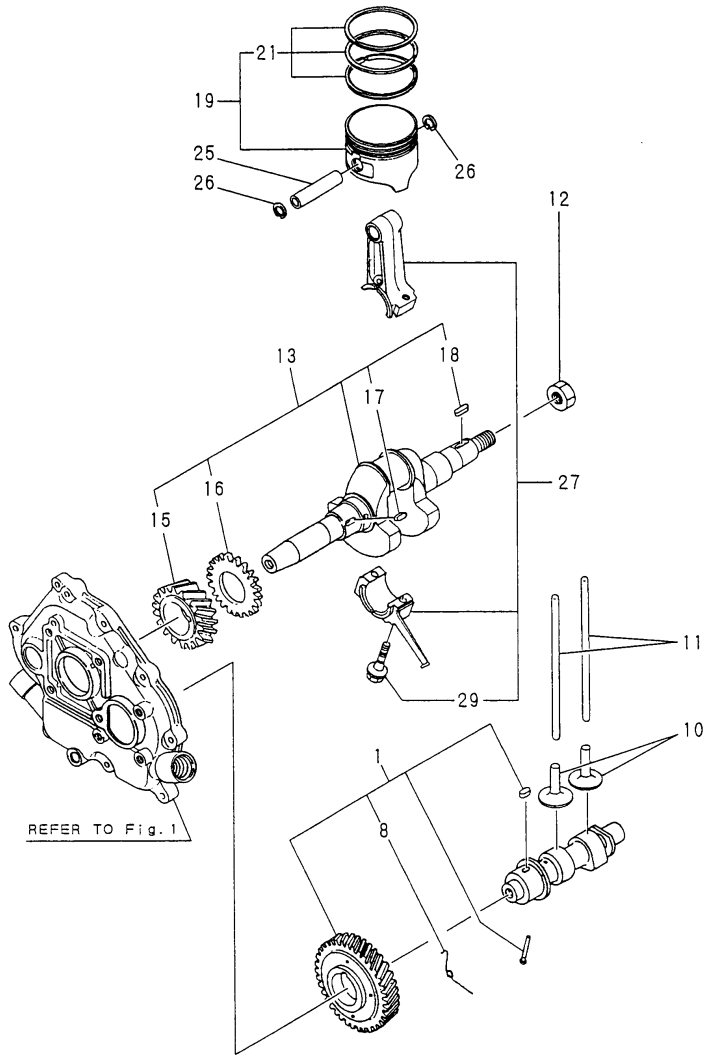


(A)=EGY17M-N  
(B)=EGY20M-N  
(C)=

(D)=  
(E)=  
(F)=

No.	Lev.	Parts No.	Description	Q'ty						I	R
				(A)	(B)	(C)	(D)	(E)	(F)		
1	1	160610-04570	BOLT, M6X70	2	2						
2	1	129470-49040	PIPE, WATER	1	1						
3	1	160610-56150	GASKET, CARBURETOR	1	1						
4	1	160802-78270	CLAMP, CORD	1	1						
5	1	23000-035000	CLAMP, 35	1	1						
6	1	26366-060002	NUT, M6	2	2						
7	1	160690-13200	GASKET, MUFFLER	1	1						
8	1	183732-13500	MUFFLER	1	1						
9	1	26106-080142	BOLT, M8X 14 PLATED	1	1						
10	1	26366-080002	NUT, M8	2	2						
11	1	160697-12551	CLEANER ASSY, AIR	1	1						
12	2	160697-12610	BODY, AIR CLEANER	1	1						
13	2	160697-12620	PLATE	1	1						
14	2	160697-12560	ELEMENT	1	1						
15	2	160697-12570	HOLDER, ELEMENT	1	1						

Fig.4. CRANKSHAFT,PISTON & CAMSHAFT



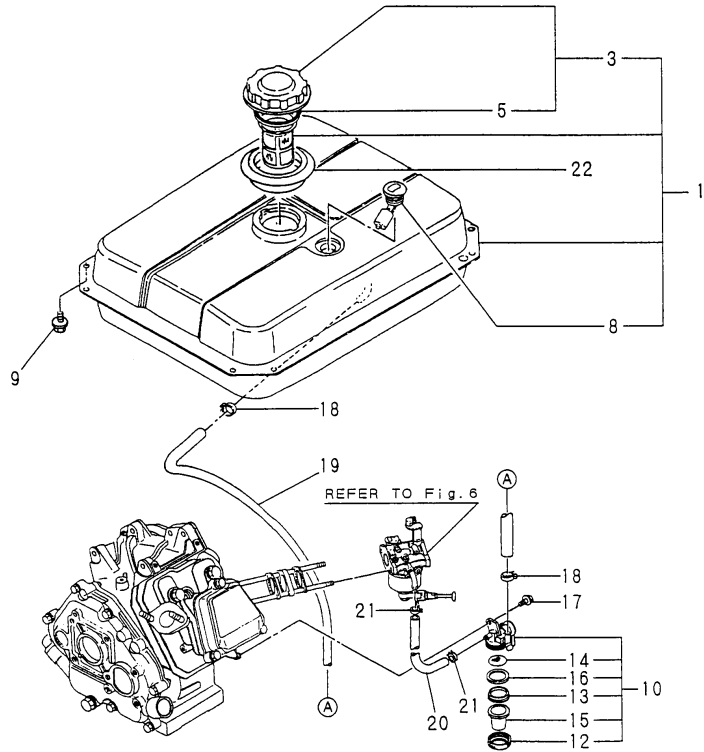
(A)=EGY17M-N  
(B)=EGY20M-N  
(C)=

(D)=  
(E)=  
(F)=

No.	Lev.	Parts No.	Description	Q'ty						I	R
				(A)	(B)	(C)	(D)	(E)	(F)		
1	1	160697-14050	CAMSHAFT ASSY	1	1						
8	2	160690-14570	SPRING,DECOMPRESSION	1	1						
10	1	160490-14200	TAPPET	2	2						
11	1	114250-14400	ROD, PUSH	2	2						
12	1	160610-04910	NUT, FLYWHEEL M14	1	1						
13	1	760694-21700	CRANKSHAFT ASSY	1	1						
15	2	160690-21201	GEAR, CRANKSHAFT	1	1						
16	2	160590-21210	GEAR, IDLE	1	1						
17	2	22512-040120	KEY, 4X 12	1	1						
18	2	22512-040160	KEY, 4X 16	1	1						
19	1	160690-22011	PISTON ASSY	1	1						
21	2	760690-22501	RING SET, PISTON	1	1						
25	1	160690-22300	PIN, PISTON	1	1						
26	1	22252-000160	RING, 16	2	2						
27	1	760690-23700	ROD ASSY, CONNECTING	1	1						
29	2	26106-060302	BOLT, M6X 30 PLATED	2	2						



Fig.5. FUEL TANK & FUEL PIPE



(A)=EGY17M-N  
(B)=EGY20M-N  
(C)=

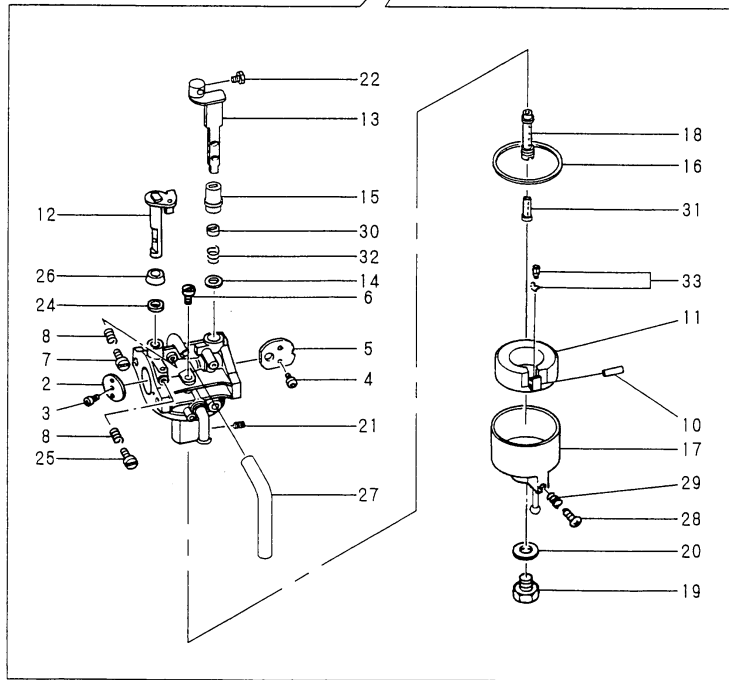
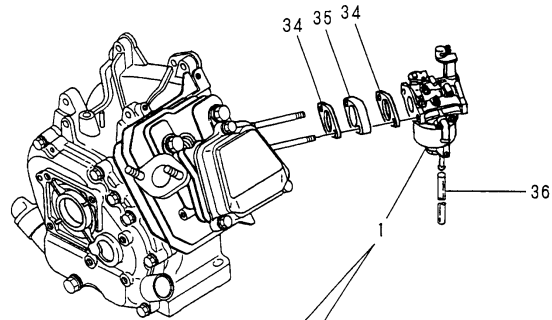
(D)=  
(E)=  
(F)=

No.	Lev.	Parts No.	Description	Q'ty						I	R
				(A)	(B)	(C)	(D)	(E)	(F)		
1	1	783432-55700	TANK ASSY, FUEL	1	1						
3	2	183131-55060	CAP ASSY	1	1						
5	3	183131-55050	GASKET	1	1						
8	2	183621-55150	GAUGE	1	1						
9	1	26106-080142	BOLT, M8X 14 PLATED	4	4						
10	1	160664-55300	COCK ASSY, FUEL	1	1						
12	2	160710-55360	RING	1	1						
13	2	160710-55370	GASKET	1	1						
14	2	160710-55381	FILTER, FUEL	1	1						
15	2	160610-55390	CUP, FUEL COCK L37	1	1						
16	2	160692-55421	PLATE	1	1						
17	1	26106-060082	BOLT, M6X 8 PLATED	1	1						
18	1	106990-44660	CLIP, HOSE 12.5	2	2						
19	1	160693-59350	PIPE, FUEL A-282	1	1						
20	1	160792-59360	PIPE, FUEL	1	1						
21	1	124060-77680	CLIP, HOSE 10	2	2						
22	1	183366-55210	GROMMET	1	1						

Fig.6. CARBURETOR

(A)=EGY17M-N  
(B)=EGY20M-N  
(C)=

(D)=  
(E)=  
(F)=

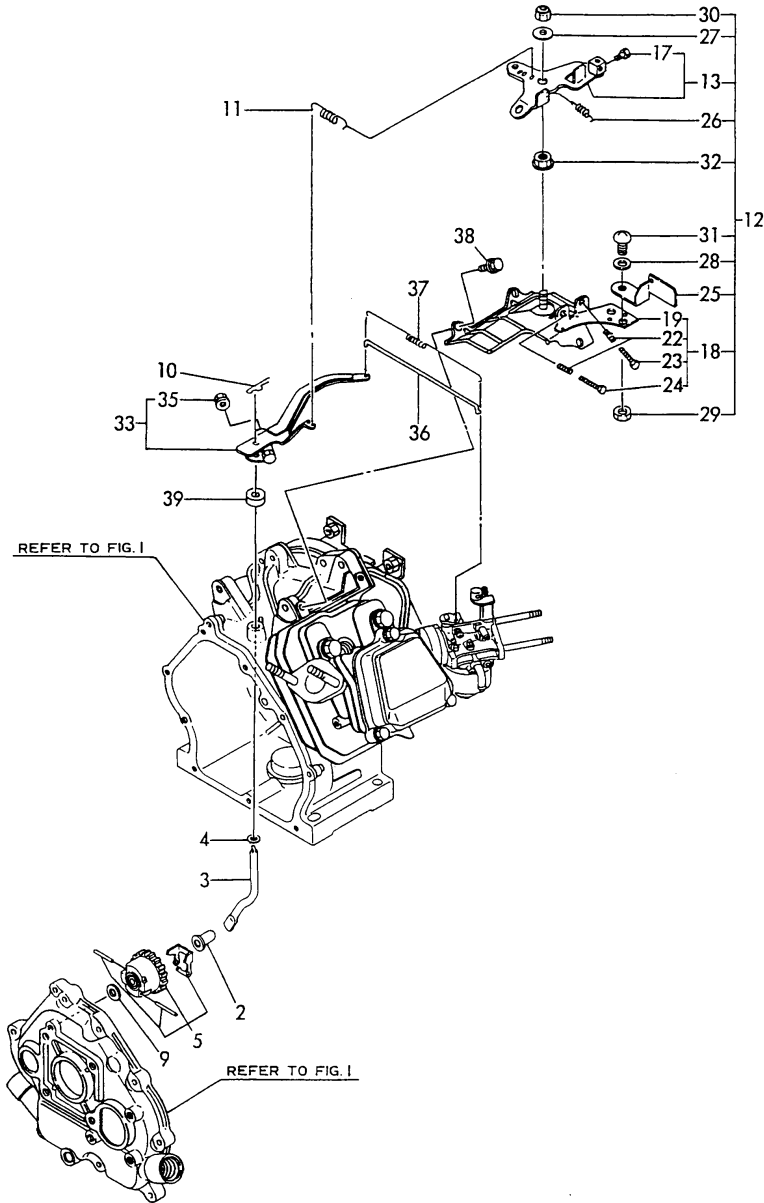


No.	Lev.	Parts No.	Description	Q'ty						I	R
				(A)	(B)	(C)	(D)	(E)	(F)		
1	1	160697-56021	CARBURETOR ASSY	1	1						
2	2	160592-56540	VALVE, THROTTLE	1	1						
3	2	160120-56670	SCREW	1	1						
4	2	160903-56670	SCREW	2	2						
5	2	160691-56680	VALVE, CHOKE	1	1						
6	2	160410-56941	JET, PILOT	1	1						
7	2	160692-56710	SCREW	1	1						
8	2	181230-56380	SPRING	2	2						
10	2	160610-56630	PIN, FLOAT	1	1						
11	2	160697-56620	FLOAT ASSY	1	1						
12	2	160692-56640	SHAFT, THROTTLE	1	1						
13	2	160691-56700	LEVER, CHOKE	1	1						
14	2	160810-56580	RING, CHOKE SHAFT	1	1						
15	2	160594-56590	RING, CHOKE LEVER	1	1						
16	2	160610-56610	GASKET	1	1						
17	2	160730-56641	BODY, FLOAT CHAMBER	1	1						
18	2	160693-56570	NOZZLE, MAIN	1	1						
19	2	160610-56660	BOLT	1	1						
20	2	160610-56611	GASKET	1	1						
21	2	160697-56801	JET, MAIN	1	1						
22	2	26117-040088	BOLT M 4X 8 PLATED	1	1						
24	2	160640-56850	SEAL	1	1						
25	2	160667-56750	ADJUSTER	1	1						
26	2	160702-56720	RING	1	1						
27	2	160692-56770	HOSE	1	1						
28	2	160610-56900	SCREW	1	1						
29	2	181230-56380	SPRING	1	1						
30	2	160692-56800	RUBBER, SEAL	1	1						
31	2	160590-56800	NOZZLE, MAIN	1	1						
32	2	160691-56720	SPRING	1	1						
33	2	160692-56560	VALVE ASSY, NEEDLE	1	1						1
34	1	160610-56150	GASKET, CARBURETOR	2	2						
35	1	160690-56160	SPACER, CARBURETOR	1	1						
36	1	160730-56880	HOSE, D5/3	1	1						

Remarks

(1) REPAIR PART.

Fig.7. GOVERNOR & CONTROL DEVICE



(A)=EGY17M-N  
(B)=EGY20M-N  
(C)=

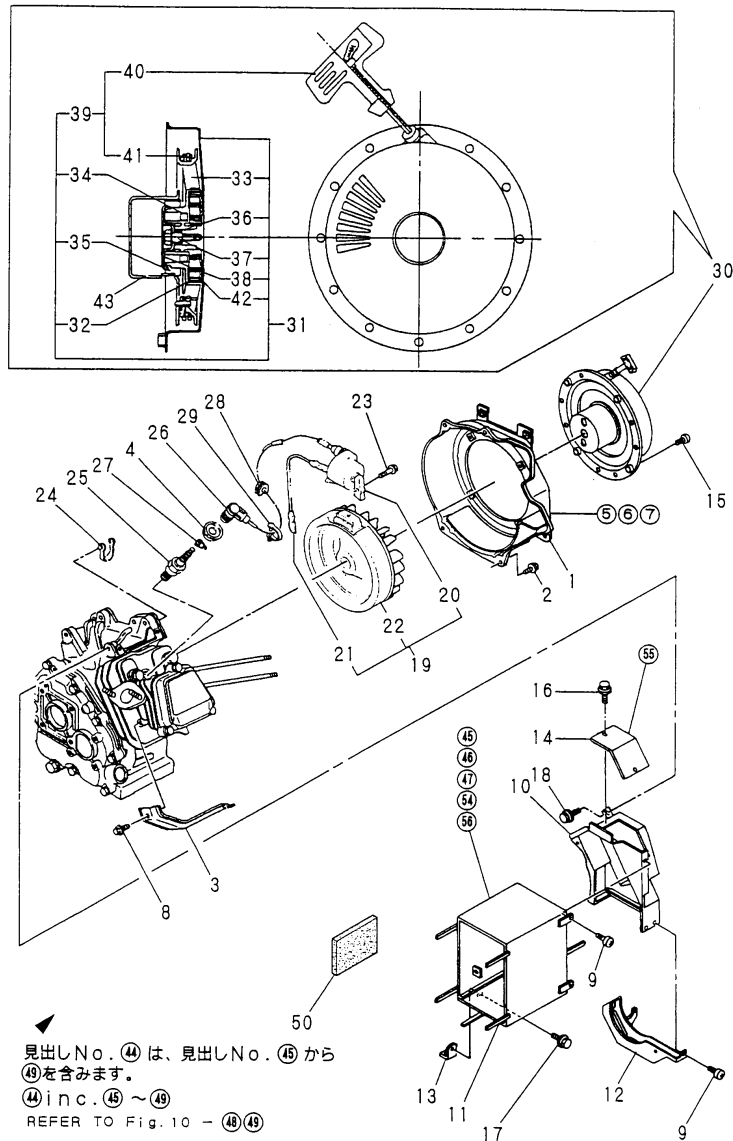
(D)=  
(E)=  
(F)=

No.	Lev.	Parts No.	Description	Q'ty						I	R
				(A)	(B)	(C)	(D)	(E)	(F)		
2	1	160690-61301	SPINDLE	1	1						
3	1	160690-61311	SHAFT	1	1						
4	1	160690-61450	WASHER	1	1						
5	1	160690-61600	GEAR ASSY, GOVERNOR	1	1						
9	1	160120-76940	WASHER	1	1						
10	1	22372-080000	PIN, SNAP 8	1	1						
11	1	160697-66010	SPRING, GOVERNOR	1	1						
12	1	160697-66100	CONTROLLER ASSY	1	1						
13	2	160692-66051	LEVER ASSY, CONTROL	1	1						
17	3	26117-040088	BOLT M 4X 8 PLATED	1	1						
18	2	160697-66110	BASE ASSY	1	1						
19	3	160697-66121	BASE ASSY	1	1						
22	3	160520-66291	SPRING	2	2						
23	3	26117-040257	BOLT, M4X 25 PLATED	1	1						
24	3	26117-040357	BOLT, M4X 35 PLATED	1	1						
25	2	160797-66310	LEVER, CONTROL	1	1						
26	2	160797-66320	SPRING, CONTROL	1	1						
27	2	160670-66350	COLLAR	1	1						
28	2	22137-040000	WASHER, 4	1	1						
29	2	26347-040002	NUT, M4	1	1						
30	2	26347-060002	NUT, M6	1	1						
31	2	26557-040102	SCREW, M4X10	1	1						
32	2	26366-060002	NUT, M6	1	1						
33	1	160690-66180	LEVER ASSY, GOVERNOR	1	1						
35	2	26366-060002	NUT, M6	1	1						
36	1	160690-66200	LINK, THROTTLE	1	1						
37	1	160690-66210	SPRING, TENSION	1	1						
38	1	26476-060142	SCREW, TAPPING M6X14	3	3						
39	1	114770-61600	SEAL, OIL	1	1						

Fig.8. FLY.MAGNETO & STARTING DEVICE

(A)=EGY17M-N  
(B)=EGY20M-N  
(C)=

(D)=  
(E)=  
(F)=



見出しNo. ④は、見出しNo. ⑤から  
⑧を含みます。

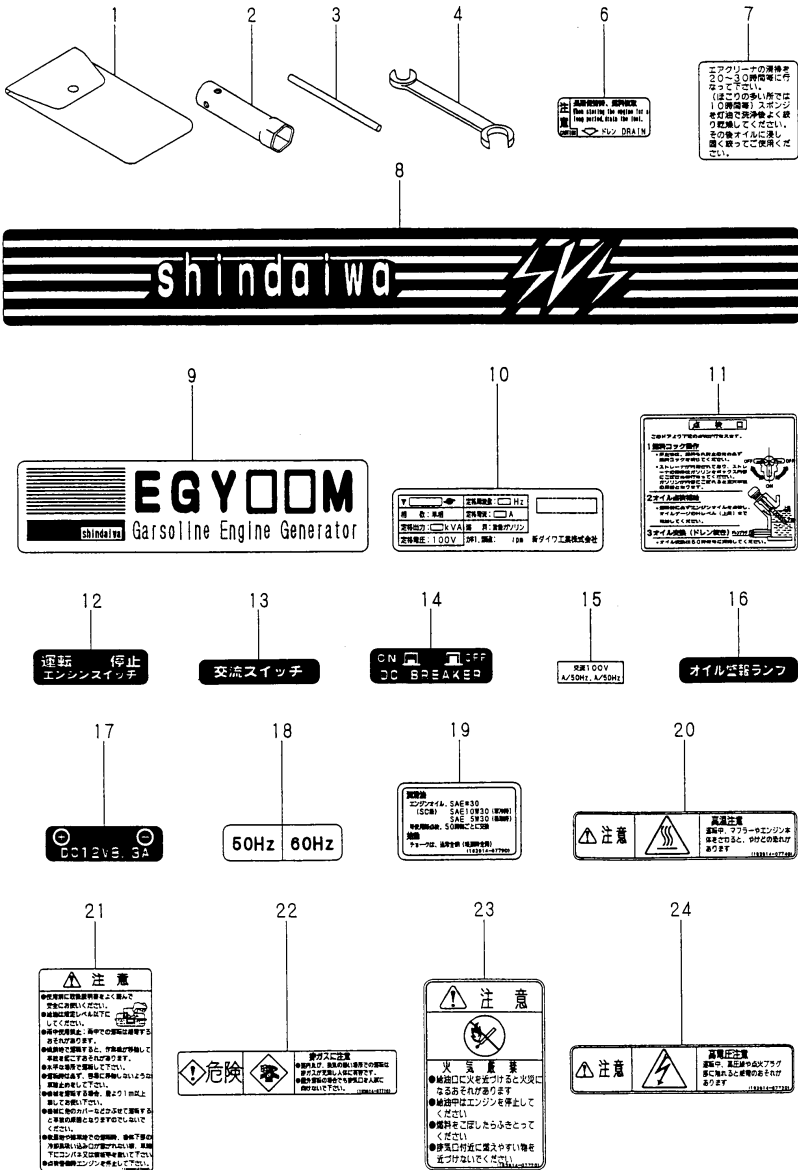
④inc.⑤～⑧

REFER TO Fig. 10 - ⑧⑨

注) 図番を○で囲んでいるものは、内側に付けるスポンジ又はグラスウールを示しています。  
NOTE) THE ENCIRCLED DRAWING NUMBERS INDICATES THE PARTS LINED WITH RUBBER SPONGE OR GLASS WOOL.

No.	Lev.	Parts No.	Description	Q'ty						I	R
				(A)	(B)	(C)	(D)	(E)	(F)		
1	1	160697-45150	CASE, COOLING FAN	1	1						
2	1	26476-060142	SCREW, TAPPING M6X14	4	4						
3	1	160690-45200	COVER	1	1						
4	1	160797-45230	COVER	1	1						
5	1	160697-45900	SEAL, 0.2X50X400	1	1						
6	1	160897-45920	SPONGE	2	2						
7	1	160897-45930	SPONGE	2	2						
8	1	26476-060142	SCREW, TAPPING M6X14	1	1						
9	1	183210-08850	SCREW, M6X10	3	3						
10	1	183732-45050	DUCT, COOLING	1	1						
11	1	183732-45060	DUCT, COOLING	1	1						
12	1	183732-45070	DUCT, COOLING	1	1						
13	1	183632-45090	STAY, DUCT	1	1						
14	1	183732-45540	COVER	1	1						
15	1	26022-060162	SCREW, M6X16	4	4						
16	1	26106-060102	BOLT, M6X 10 PLATED	2	2						
17	1	26106-060122	BOLT, M6X 12 PLATED	3	3						
18	1	26476-060142	SCREW, TAPPING M6X14	3	3						
19	1	160690-78082	MAGNETIC ASSY	1	1						
20	2	160690-78532	COIL, IGNITION	1	1						
21	2	160690-78230	WIRE	1	1						
22	2	160690-78541	ROTOR	1	1						
23	1	26476-060302	SCREW, TAPPING M6X30	2	2						
24	1	29610-000650	CLAMP, SPEED 065	1	1						
25	1	160793-78010	PLUG, SPARK	1	1						
26	1	160700-78040	CAP, PLUG	1	1						
27	1	160700-78050	TERMINAL, PLUG	1	1						
28	1	160700-78720	GROMMET	1	1						
29	1	29610-000950	CLAMP, SPEED 095	1	1						
30	1	160697-76051	STARTER ASSY, RECOIL	1	1						
31	2	160697-76251	STARTER ASSY, RECOIL	1	1						
32	3	160697-76510	SPRING	1	1						
33	3	160697-76520	REEL	1	1						
34	3	160641-76530	SPRING, DOG	2	2						
35	3	160890-76540	DOG	2	2						
36	3	160697-76550	SPRING, BRAKE	1	1						
37	3	160641-76570	SCREW	1	1						
38	3	160697-76570	RETAINER	1	1						
39	3	160697-76620	HANDLE ASSY	1	1						
40	4	160900-76620	HANDLE	1	1						
41	4	160697-76580	ROPE, STARTER	1	1						
42	3	160697-76630	CASE, SPRING	1	1						
43	2	160697-76591	PULLEY, STARTER	1	1						
44	1	183732-95700	INSULATOR ASSY	1	1						
45	2	183732-95750	INSULATOR	1	1						
46	2	183732-95760	INSULATOR	2	2						
47	2	183732-95790	INSULATOR	1	1						
48	2	183732-95770	INSULATOR	1	1						
49	2	183732-95780	INSULATOR	1	1						
50	1	183732-45950	SEAT	1	1						

Fig.9. TOOL & LABEL



(A)=EGY17M-N  
(B)=EGY20M-N  
(C)=

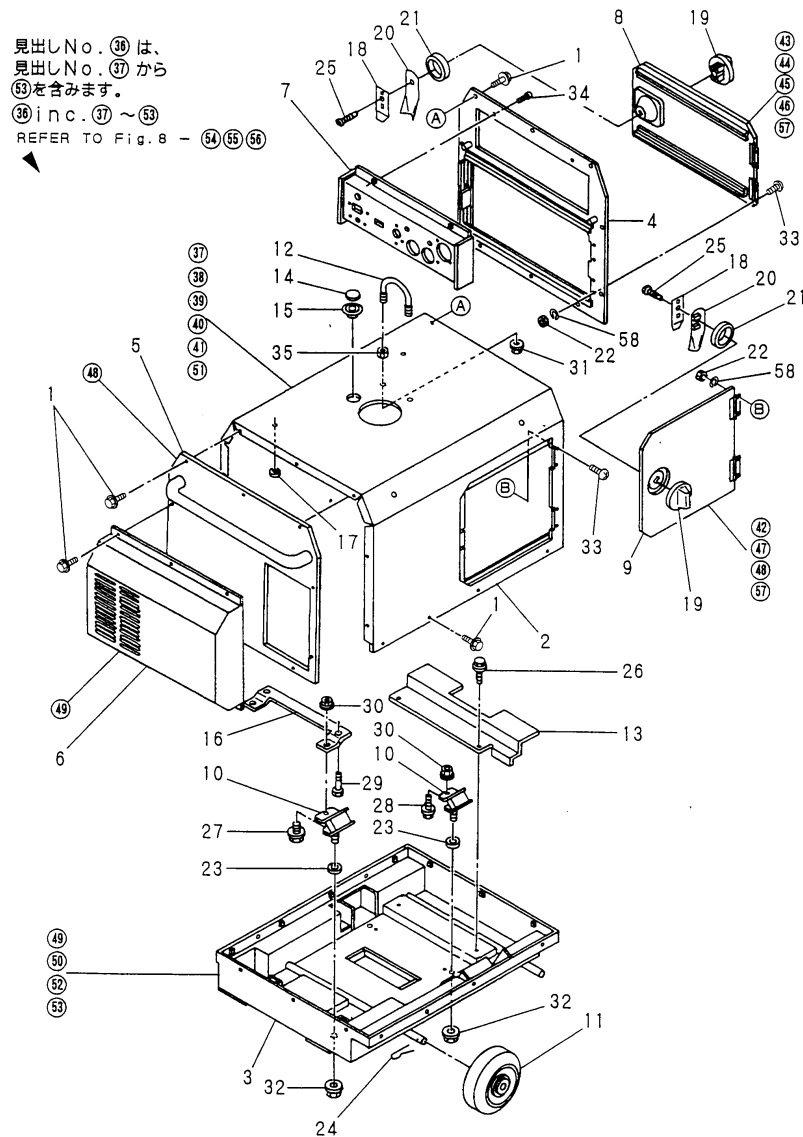
(D)=  
(E)=  
(F)=

No.	Lev.	Parts No.	Description	Qty						I	R
				(A)	(B)	(C)	(D)	(E)	(F)		
1	1	160110-92610	BAG, TOOL	1	1						
2	1	160120-92700	WRENCH, 21 L86	1	1						
3	1	160110-92710	HANDLE, WRENCH	1	1						
4	1	28110-100120	SPANNER, 10X12	1	1						
6	1	160520-07272	LABEL, DRAIN	1	1						
7	1	160520-07370	LABEL, CLEANER	1	1						
8	1	183432-07750	LABEL	2	2						
9A	1	183432-07760	LABEL	1							
9B	1	183432-07770	LABEL		1						
10A	1	183432-07800	LABEL, GENERATOR	1							
10B	1	183432-07810	LABEL, GENERATOR		1						
11	1	183131-07360	LABEL, CHECK	1	1						
12	1	183730-07420	LABEL, ENGINE SWITCH	1	1						
13	1	183730-07430	LABEL, AC SWITCH	1	1						
14	1	183731-07430	LABEL, DC BREAKER	1	1						
15	1	183730-07450	LABEL, AMPERE	1	1						
16	1	183730-07470	LABEL, OIL ALERT	1	1						
17	1	183730-07920	LABEL, DC CONSENT	1	1						
18	1	183130-07220	LABEL, 50/60HZ	1	1						
19	1	183614-07790	LABEL, OIL	1	1						
20	1	183614-07740	LABEL, CAUTION	1	1						
21	1	183632-07600	LABEL, CAUTION	1	1						
22	1	183614-07710	LABEL, EXH. GAS CAUTN	1	1						
23	1	183614-07720	LABEL, NO FIRE	1	1						
24	1	183614-07730	LABEL, PLUG	1	1						

Fig.10. SOUND-PROOF CASE

(A)=EGY17M-N  
(B)=EGY20M-N  
(C)=

(D)=  
(E)=  
(F)=



見出しNo. ⑬は、  
見出しNo. ⑳から  
⑳を含みます。  
⑳inc. ㉑～㉓  
REFER TO Fig. 8 - ㉔ ㉕ ㉖

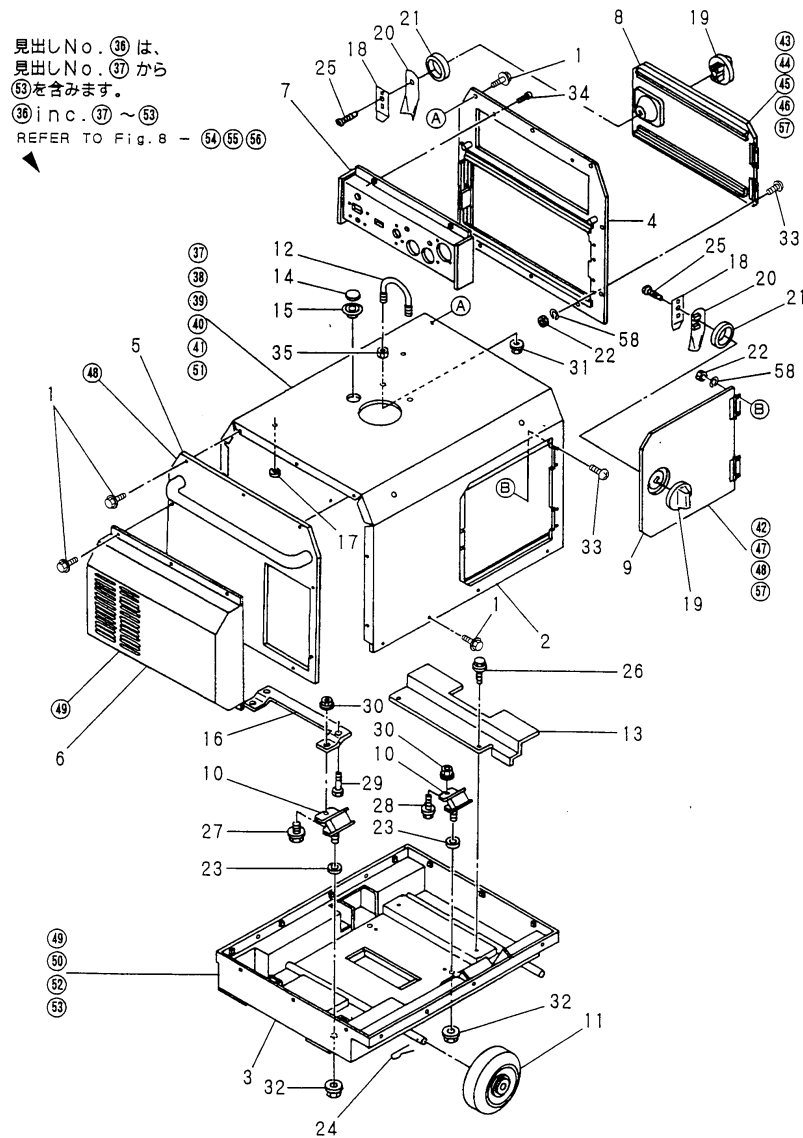
注) 図番を○で囲んでいるものは、内側に付けるスポンジ又はグラスウールを示しています。  
NOTE) THE ENCIRCLED DRAWING NUMBERS INDICATES THE PARTS LINED WITH RUBBER SPONGE OR GLASS WOOL.

No.	Lev.	Parts No.	Description	Q'ty						I	R
				(A)	(B)	(C)	(D)	(E)	(F)		
1	1	183732-08900	BOLT	31	31						
2	1	183732-08050	CASE	1	1						
3	1	183732-08060	CASE	1	1						
4	1	183732-08070	CASE	1	1						
5	1	183732-08080	CASE	1	1						
6	1	183732-08090	CASE, MUFFLER	1	1						
7	1	183732-08100	PANEL	1	1						
8	1	183732-08110	DOOR, FRONT	1	1						
9	1	183732-08120	DOOR, SIDE	1	1						
10	1	183730-08210	DAMPER	4	4						
11	1	183266-08360	WHEEL, 100	4	4						
12	1	183833-08490	HOOK	1	1						
13	1	183732-08630	PLATE	1	1						
14	1	183131-08910	WINDOW	1	1						
15	1	183131-08920	GROMMET	1	1						
16	1	183732-08950	MOUNT	1	1						
17	1	183732-08960	WASHER	2	2						
18	1	1E6910-35660	PLATE, STOPPER	2	2						
19	1	1E6460-91573	KNOB, SACKER	2	2						
20	1	1E6460-91580	STOPPER	2	2						
21	1	1E6460-91591	COLLAR, 25X32X8.6	2	2						
22	1	183925-91990	NUT, LOCK	8	8						
23	1	22117-120000	WASHER, 12	4	4						
24	1	22417-320250	PIN, COTTER 3.2X25	4	4						
25	1	183732-08910	SCREW, M5X16	2	2						
26	1	26106-060122	BOLT, M6X 12 PLATED	2	2						
27	1	26106-080202	BOLT, M8X 20 PLATED	2	2						
28	1	26106-080502	BOLT, M8X 50 PLATED	2	2						
29	1	26116-080302	BOLT, M8X 30 PLATED	2	2						
30	1	26366-080002	NUT, M8	5	5						
31	1	26366-100002	NUT, M10	2	2						
32	1	26376-100002	NUT, M10	4	4						
33	1	26557-030122	SCREW, M3X12	8	8						
34	1	26557-040102	SCREW, M4X10	4	4						
35	1	26757-100002	NUT, LOCK M10	2	2						
36	1	183732-95100	SPONGE ASSY	1	1						
37	2	183732-95110	SPONGE	1	1						
38	2	183732-95120	SPONGE	1	1						
39	2	183732-95130	SPONGE	2	2						
40	2	183732-95140	SPONGE	1	1						
41	2	183732-95150	SPONGE	1	1						
42	2	183732-95160	SPONGE	1	1						
43	2	183732-95170	DOOR, FRONT	1	1						
44	2	183732-95180	DOOR, FRONT	1	1						
45	2	183732-95190	SPONGE	1	1						
46	2	183732-95200	SPONGE	1	1						
47	2	183732-95210	SPONGE	2	2						
48	2	183732-95220	SPONGE	1	1						
49	2	183732-95230	CASE	1	1						
50	2	183732-95240	CASE	2	2						
51	2	183732-95270	SPONGE	1	1						

Fig.10. SOUND-PROOF CASE

(A)=EGY17M-N  
(B)=EGY20M-N  
(C)=

(D)=  
(E)=  
(F)=

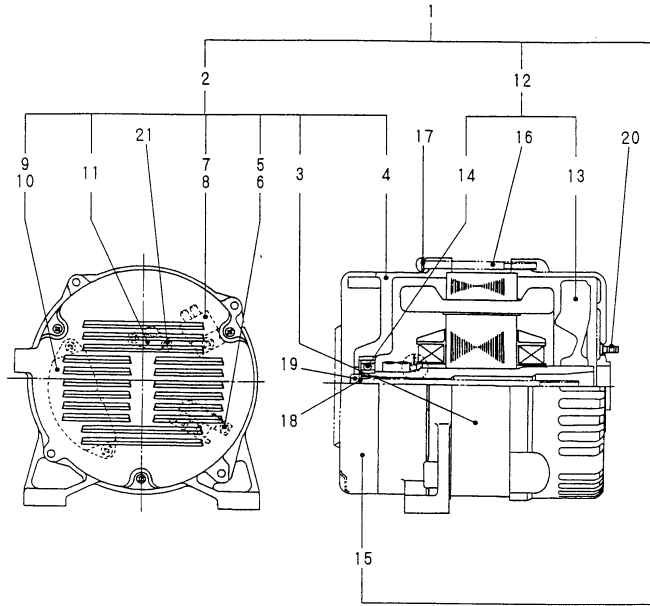


見出しNo. ⑬は、  
見出しNo. ⑰から  
⑳を含みます。  
⑳inc. ㉑～㉓  
REFER TO Fig. 8 - ㉔㉕㉖

No.	Lev.	Parts No.	Description	Q'ty						I	R
				(A)	(B)	(C)	(D)	(E)	(F)		
52	2	183732-95280	CASE	1	1						
53	2	183732-95290	CASE	1	1						
54	2	183732-95250	SPONGE, DUCT	2	2						
55	2	183732-95260	SPONGE	1	1						
56	2	183732-95300	DUCT, COOLING	6	6						
57	1	183703-95540	SPONGE	2	2						
58	1	22217-030000	WASHER, SPRING 3	8	8						

注) 図番を○で囲んでいるものは、内側に付けるスポンジ又はグラスウールを示しています。  
NOTE) THE ENCIRCLED DRAWING NUMBERS INDICATES THE PARTS LINED WITH RUBBER SPONGE OR GLASS WOOL.

Fig.11. GENERATOR



(A)=EGY17M-N  
(B)=EGY20M-N  
(C)=

(D)=  
(E)=  
(F)=

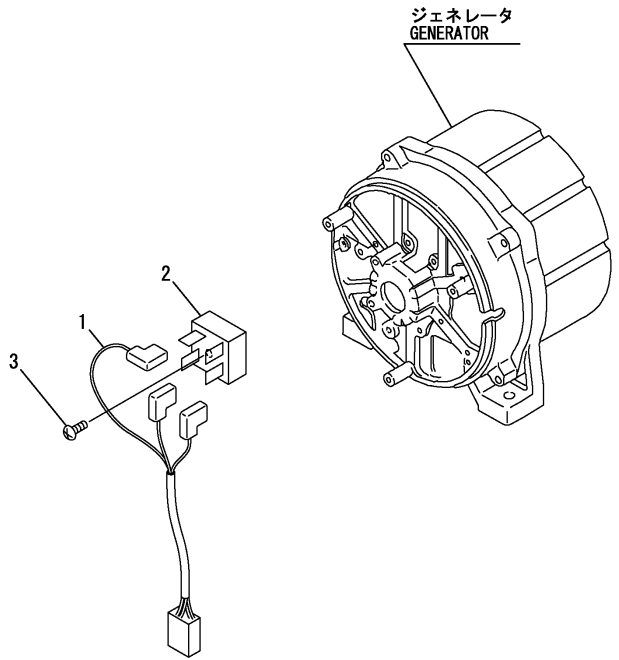
No.	Lev.	Parts No.	Description	Q'ty						I	R
				(A)	(B)	(C)	(D)	(E)	(F)		
1	1	183432-74050	GENERATOR, 2.0KVA	1	1						
2	2	183432-74200	STATOR ASSY	1	1						
3	3	183432-74290	STATOR	1	1						
3-1	3	183432-74291	STATOR	1	1						F 1
		(A=EZZZZZ) (B=EZZZZZ)									
4	3	183740-74250	COVER, REAR	1	1						
4-1	3	184110-74180	COVER, REAR	1	1						N
		(A=EZZZZZ) (B=EZZZZZ)									
5	3	183740-74310	CLAMP	1	1						
6	3	183350-74380	SCREW, M4X14	1	1						
7	3	183210-74470	RECTIFIER	1	1						
7-1	3	183387-74250	RECTIFIER	1	1						F 2
		(A=EZZZZZ) (B=EZZZZZ)									
8	3	183620-74310	SCREW	1	1						
8-1	3	183387-74260	SCREW	1	1						N
		(A=EZZZZZ) (B=EZZZZZ)									
9	3	183731-74450	REGULATOR, VOLTAGE	1	1						
9-1	3	183733-74450	AVR	1	1						N
		(A=EXXXXX) (B=EXXXXX)									
9-2	3	183733-74451	AVR(RS2877)	1	1						N
		(A=EZZZZZ) (B=EZZZZZ)									
9-3	3	183733-74452	AVR(RS290)	1	1						N
		(A=EZZZZZ) (B=EZZZZZ)									
10	3	183620-74310	SCREW	2	2						
10-1	3	184110-74200	SCREW	2	2						N
		(A=EZZZZZ) (B=EZZZZZ)									
11	3	183250-74271	BRUSH ASSY	1	1						
11-1	3	183250-74272	BRUSH ASSY	1	1						N
		(A=EZZZZZ) (B=EZZZZZ)									
12	2	183432-74350	ROTOR ASSY	1	1						
12-1	2	183432-74351	ROTOR ASSY	1	1						N
		(A=EZZZZZ) (B=EZZZZZ)									
13	3	183740-74360	FAN	1	1						
14	3	183740-74370	BEARING	1	1						
15	2	183840-74150	COVER, FRONT	1	1						
16	1	183262-74410	BOLT, THROUGH M6X90	4	4						
17	1	22217-060000	WASHER, SPRING 6	4	4						
18	1	22217-080000	WASHER, SPRING 8	1	1						
19	1	26116-081902	BOLT, M8X190 PLATED	1	1						
20	1	183730-74950	SCREW, M8X18	4	4						
21	1	26023-040142	SCREW, M4X14	2	2						

Remarks

- (1)Interchangeable by simultaneous replacement with No.7-1.
  - (2)Interchangeable by simultaneous replacement with Fig.11A
- No.1 HARNESS.



Fig.13. (11A)RECTIFIER & HARNESS(FROM EZZZZZ)

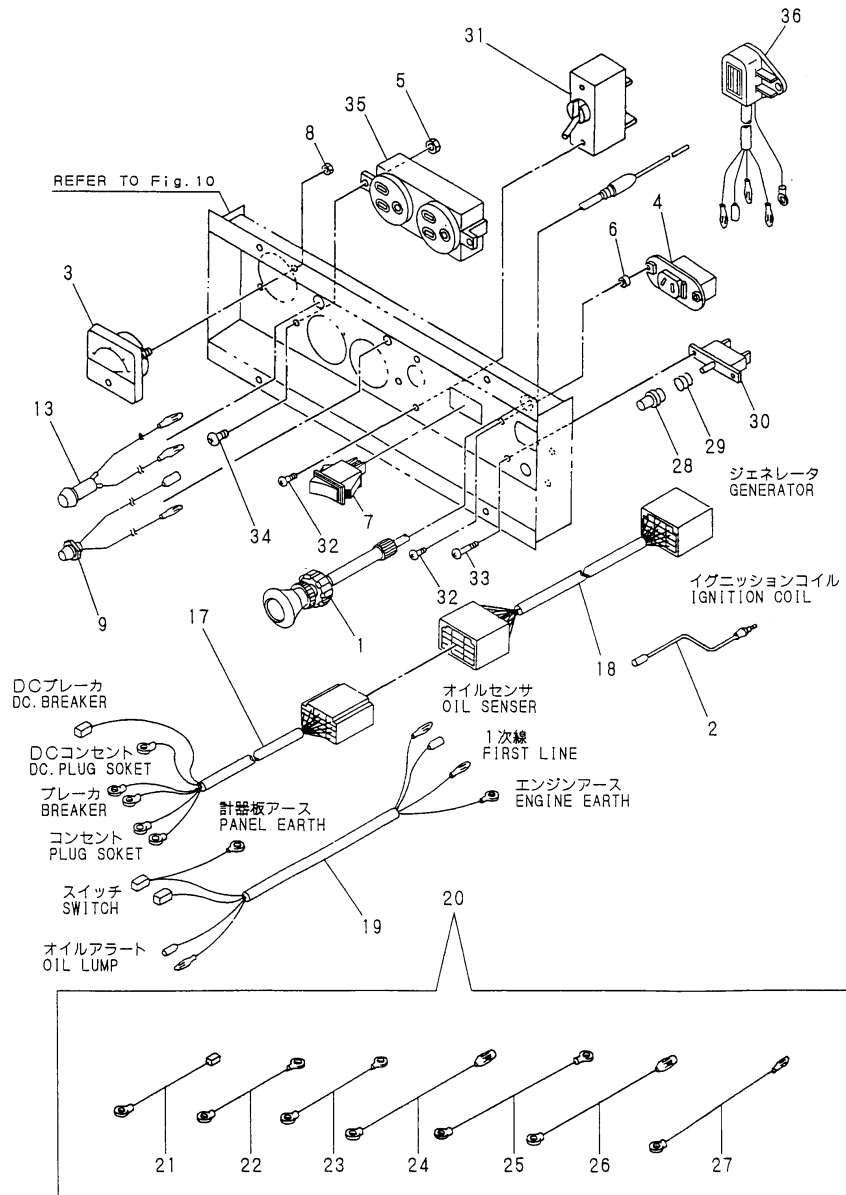


(A)=EGY17M-N  
(B)=EGY20M-N  
(C)=

(D)=  
(E)=  
(F)=

No.	Lev.	Parts No.	Description	Q'ty						I	R
				(A)	(B)	(C)	(D)	(E)	(F)		
1	1	184120-99200 (A=EZZZZZ) (B=EZZZZZ)	HARNESS ASSY	1	1						W
2	1	183387-74250 (A=EZZZZZ) (B=EZZZZZ)	RECTIFIER	1	1						W
3	1	183387-74260 (A=EZZZZZ) (B=EZZZZZ)	SCREW	1	1						W

Fig.12. PANEL



(A)=EGY17M-N  
(B)=EGY20M-N  
(C)=

(D)=  
(E)=  
(F)=

No.	Lev.	Parts No.	Description	Q'ty						I	R
				(A)	(B)	(C)	(D)	(E)	(F)		
1	1	183732-56900	WIRE ASSY, CHOKE	1	1						
2	1	160671-78200	WIRE, LEAD	1	1						
3	1	183730-91210	REGULATOR, VOLTAGE	1	1						
4	1	183825-91250	CONSENT	1	1						
5	1	183920-91320	SOCKET, 125VX2	1	1						
6	1	183730-91360	SPACER	2	2						
7	1	183730-91450	SWITCH, STOP	1	1						
8	1	183925-91990	NUT, LOCK	2	2						
9	1	183732-95500	ALERT ASSY	1	1						
13	1	183732-95510	LAMP ASSY, PILOT	1	1						
17	1	183732-95600	HARNESS ASSY, WIRE	1	1						
18	1	183732-95610	HARNESS ASSY, WIRE	1	1						
19	1	183732-95620	HARNESS ASSY, WIRE	1	1						
20	1	183732-95630	HARNESS ASSY, WIRE	1	1						
21	2	183732-95900	HARNESS, WIRE	1	1						
22	2	183732-95910	HARNESS, WIRE	1	1						
23	2	183732-95920	HARNESS, WIRE	1	1						
24	2	183732-95930	HARNESS, WIRE	1	1						
25	2	183732-95940	HARNESS, WIRE	1	1						
26	2	183732-95950	HARNESS, WIRE	1	1						
27	2	183732-95960	HARNESS, WIRE	1	1						
28	1	183000-96310	CAP, BREAKER	1	1						
29	1	183000-96320	SPRING	1	1						
30	1	183000-96330	BREAKER	1	1						
31	1	183000-96540	BREAKER, AC 20A	1	1						
32	1	26557-030062	SCREW, M3X 6	4	4						
33	1	26557-030122	SCREW, M3X12	2	2						
34	1	26557-040062	SCREW, M4X 6	2	2						
35	1	26757-040002	NUT, LOCK M4	2	2						
36	1	160770-78830	SENSOR	1	1						

## Parts No. Index

Parts No.	Fig. No.	Ref. No.
101158-11180	2	9
104200-59170	1	8
106990-44660	5	18
114250-14400	4	11
114270-01600	1	4
114770-61600	7	39
124060-77680	5	21
129470-49040	3	2
160110-01870	1	20
160110-92610	9	1
160110-92710	9	3
160120-56670	6	3
160120-76940	7	9
160120-92700	9	2
160260-78700	1	22
160410-56941	6	6
160490-14200	4	10
160520-07272	9	6
160520-07370	9	7
160520-66291	7	22
160590-21210	4	16
160590-56800	6	31
160591-01760	1	15
160592-56540	6	2
160594-56590	6	15
160610-01690	1	7
160610-04201	2	1
160610-04570	3	1
160610-04910	4	12
160610-55390	5	15
160610-56150	3	3
	6	34
160610-56610	6	16
160610-56611	6	20
160610-56630	6	10
160610-56660	6	19
160610-56900	6	28
160640-56850	6	24
160641-76530	8	34
160641-76570	8	37
160664-55300	5	10
160667-56750	6	25
160670-66350	7	27
160671-78200	12	2
160690-01330	2	22
160690-02220	1	5
		13
160690-03050	2	20
160690-11010	2	2
160690-11050	2	15

Parts No.	Fig. No.	Ref. No.
160690-11130	2	6
160690-11140	2	7
160690-11150	2	8
160690-11200	2	10
160690-11220	2	11
160690-11271	2	12
160690-11280	2	13
160690-11290	2	14
160690-11300	2	16
160690-11310	2	17
160690-13200	3	7
160690-14570	4	8
160690-21201	4	15
160690-22011	4	19
160690-22300	4	25
160690-45200	8	3
160690-56160	6	35
160690-61301	7	2
160690-61311	7	3
160690-61450	7	4
160690-61600	7	5
160690-66180	7	33
160690-66200	7	36
160690-66210	7	37
160690-78082	8	19
160690-78230	8	21
160690-78532	8	20
160690-78541	8	22
160691-56680	6	5
160691-56700	6	13
160691-56720	6	32
160692-55421	5	16
160692-56560	6	33
160692-56640	6	12
160692-56710	6	7
160692-56770	6	27
160692-56800	6	30
160692-66051	7	13
160693-56570	6	18
160693-59350	5	19
160697-12551	3	11
160697-12560	3	14
160697-12570	3	15
160697-12610	3	12
160697-12620	3	13
160697-14050	4	1
160697-45150	8	1
160697-45900	8	5
160697-56021	6	1
160697-56620	6	11

Parts No.	Fig. No.	Ref. No.
160697-56801	6	21
160697-66010	7	11
160697-66100	7	12
160697-66110	7	18
160697-66121	7	19
160697-76051	8	30
160697-76251	8	31
160697-76510	8	32
160697-76520	8	33
160697-76550	8	36
160697-76570	8	38
160697-76580	8	41
160697-76591	8	43
160697-76620	8	39
160697-76630	8	42
160700-78040	8	26
160700-78050	8	27
160700-87720	8	28
160702-56720	6	26
160710-55360	5	12
160710-55370	5	13
160710-55381	5	14
160730-56641	6	17
160730-56880	6	36
160770-78820	1	23
160770-78830	12	36
160792-59360	5	20
160793-78010	8	25
160797-01851	1	18
160797-45230	8	4
160797-66310	7	25
160797-66320	7	26
160802-01700	1	9
160802-78270	3	4
160810-03180	2	21
160810-56580	6	14
160890-76540	8	35
160897-45920	8	6
160897-45930	8	7
160900-76620	8	40
160903-56670	6	4
181230-56380	6	8
		29
183000-96310	12	28
183000-96320	12	29
183000-96330	12	30
183000-96540	12	31
183130-07220	9	18
183131-07360	9	11
183131-08910	10	14

Parts No.	Fig. No.	Ref. No.
183131-08920	10	15
183131-55050	5	5
183131-55060	5	3
183210-08850	8	9
183210-74470	11	7
183250-74271	11	11
183250-74272	11	11 -1
183262-74410	11	16
183266-08360	10	11
183350-74380	11	6
183366-55210	5	22
183387-74250	11	7 -1
	13	2
183387-74260	11	8 -1
	13	3
183432-07750	9	8
183432-07760	9	9 A
183432-07770	9	9 B
183432-07800	9	10 A
183432-07810	9	10 B
183432-74050	11	1
183432-74200	11	2
183432-74290	11	3
183432-74291	11	3 -1
183432-74350	11	12
183432-74351	11	12 -1
183614-07710	9	22
183614-07720	9	23
183614-07730	9	24
183614-07740	9	20
183614-07790	9	19
183620-74310	11	8
		10
183621-55150	5	8
183632-07600	9	21
183632-45090	8	13
183703-95540	10	57
183730-07420	9	12
183730-07430	9	13
183730-07450	9	15
183730-07470	9	16
183730-07920	9	17
183730-08210	10	10
183730-74950	11	20
183730-91210	12	3
183730-91360	12	6
183730-91450	12	7
183731-07430	9	14
183731-74450	11	9
183732-08050	10	2

## Parts No. Index

Parts No.	Fig. No.	Ref. No.
183732-08060	10	3
183732-08070	10	4
183732-08080	10	5
183732-08090	10	6
183732-08100	10	7
183732-08110	10	8
183732-08120	10	9
183732-08630	10	13
183732-08900	10	1
183732-08910	10	25
183732-08950	10	16
183732-08960	10	17
183732-13500	3	8
183732-45050	8	10
183732-45060	8	11
183732-45070	8	12
183732-45540	8	14
183732-45950	8	50
183732-56900	12	1
183732-95100	10	36
183732-95110	10	37
183732-95120	10	38
183732-95130	10	39
183732-95140	10	40
183732-95150	10	41
183732-95160	10	42
183732-95170	10	43
183732-95180	10	44
183732-95190	10	45
183732-95200	10	46
183732-95210	10	47
183732-95220	10	48
183732-95230	10	49
183732-95240	10	50
183732-95250	10	54
183732-95260	10	55
183732-95270	10	51
183732-95280	10	52
183732-95290	10	53
183732-95300	10	56
183732-95500	12	9
183732-95510	12	13
183732-95600	12	17
183732-95610	12	18
183732-95620	12	19
183732-95630	12	20
183732-95700	8	44
183732-95750	8	45
183732-95760	8	46
183732-95770	8	48

Parts No.	Fig. No.	Ref. No.
183732-95780	8	49
183732-95790	8	47
183732-95900	12	21
183732-95910	12	22
183732-95920	12	23
183732-95930	12	24
183732-95940	12	25
183732-95950	12	26
183732-95960	12	27
183733-74450	11	9 -1
183733-74451	11	9 -2
183733-74452	11	9 -3
183740-74250	11	4
183740-74310	11	5
183740-74360	11	13
183740-74370	11	14
183825-91250	12	4
183833-08490	10	12
183840-74150	11	15
183920-91320	12	5
183925-91990	10	22
	12	8
184110-74180	11	4 -1
184110-74200	11	10 -1
184120-99200	13	1
1E6460-91573	10	19
1E6460-91580	10	20
1E6460-91591	10	21
1E6910-35660	10	18
22117-120000	10	23
22137-040000	7	28
22137-060000	2	23
22217-030000	10	58
22217-060000	11	17
22217-080000	11	18
22252-000160	4	26
22372-080000	7	10
22417-320250	10	24
22512-040120	4	17
22512-040160	4	18
23000-035000	3	5
24101-062050	1	6
		12
24311-000180	1	17
		19
26022-060162	8	15
26023-040142	11	21
26106-060082	5	17
26106-060102	8	16
26106-060122	8	17

Parts No.	Fig. No.	Ref. No.
26106-060122	10	26
26106-060202	2	18
26106-060302	4	29
26106-060352	2	19
26106-080142	3	9
	5	9
26106-080202	10	27
26106-080502	10	28
26116-080302	10	29
26116-081902	11	19
26117-040088	6	22
	7	17
26117-040257	7	23
26117-040357	7	24
26347-040002	7	29
26347-060002	7	30
26366-060002	3	6
	7	32
		35
26366-080002	3	10
	10	30
26366-100002	10	31
26376-100002	10	32
26476-060142	1	24
	7	38
	8	2
		8
		18
26476-060252	1	21
26476-060302	8	23
26557-030062	12	32
26557-030122	10	33
	12	33
26557-040062	12	34
26557-040102	7	31
	10	34
26757-040002	12	35
26757-100002	10	35
27310-060001	2	24
28110-100120	9	4
29610-000650	8	24
29610-000950	8	29
760690-22501	4	21
760690-23700	4	27
760694-01500	1	10
760694-21700	4	13
760697-01560	1	1
783432-55700	5	1

Parts No.	Fig. No.	Ref. No.
-----------	----------	----------