

OCD10-M56500EN

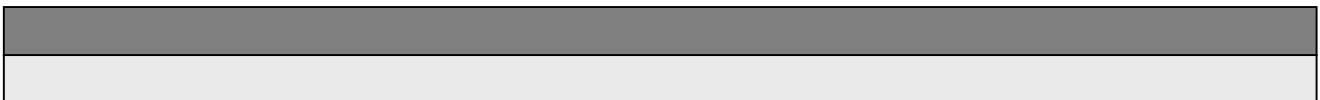
PREFACE

1. This Parts Catalog is the 1st edition of EP1700-3500(S)DBL Diesel Engine for HOKUETSU.

Pub. No. : 000Y00D5650
Published : December, 1995

2. Model name

Engine model	Vehicle		Vehicle made by
	Products	Model name	
EP1700-3500(S)DBL	GENERATOR	—	HOKUETSU



Directions for the Parts Catalog.

1. This Parts Catalog shows both standard and optional parts.
2. Parts may change without prior notice.
3. The following is an example of the Parts Catalog format.

REF.	LEV.	PARTS NO.	DESCRIPTION	Q'TY						I	R
				(A)	(B)	(C)	(D)	(E)	(F)		
1	1	729595-51390	FUEL INJECTION PUMP	1	1	1	1	1			1
1-1	1	729595-51391	FUEL INJECTION PUMP	1	1	1	1	1		N	1
		(A=E00185) (B=E00200)									
3	2	26022-060162	SCREW M 6X 16	9	9	9	9	9			
3-1	2	26022-060162	SCREW M 6X 16	4	4	4	4	4		K	
		(A=E00156) (B=E00156) (C=E00156) (D=E00156) (E=E00156)									
4	2	129470-51040	CAMSHAFT	1	1	1	1	1			
5	2	122710-51050	BEARING, ROLLER	2	2	2	2	2			
6	2	129470-51060	RETAINER	1	1	1	1	1			

Remarks
(1) BOOST COMPEMSATOR TYPE. OPTIONAL PART, TO E00155,(4JH-DT, 4JH-DTZ

① Ref. No.

The Ref. No. listed may not be in accordance with the illustration Ref. No.

(Ex.) Illustration No.

List Ref No.

1

1

(Before change)

1-1

(After change)

For interchangeable symbols N, R and K, illustrations for new parts may be abbreviated.

② Lev. (Level)

Level indication

The numbers below indicate the level of relativity towards the main part.

1 ----- Main parts (Assembly parts)

2 ----- Sub component included in " 1 ".

3 ----- Sub component included in " 2 ".

Note) Parts that are not for sale are partially illustrated but not listed.

③ Interchangeability Symbol

When a part change takes place, one of the following interchangeability symbols is indicated beside the part.

Symbol	Interchangeability	Contents note
N	Old $\begin{matrix} \leftarrow \text{Yes} \\ \text{No} \rightarrow \end{matrix}$ New	New Part is interchangeable for Old Part but Old Part is not interchangeable for New Part.
Q	Old $\begin{matrix} \leftarrow \text{No} \\ \text{Yes} \rightarrow \end{matrix}$ New	New Part is not interchangeable for Old Part but Old Part is interchangeable for New Part.
R	Old $\begin{matrix} \leftarrow \text{Yes} \\ \text{Yes} \rightarrow \end{matrix}$ New	New/ Old Parts are both interchangeable.
S	Old $\begin{matrix} \leftarrow \text{No} \\ \text{No} \rightarrow \end{matrix}$ New	New/ Old Parts are both not interchangeable.
W		Part newly added.
Z		Part discontinued.
F		Not interchangeable by a single part but interchangeable together with related parts.
K		Changes only for used parts quantities.

④ Effective Machine No.

When a part changes, the effective Machine No. will be indicated in the (A)-(F) column.

Product Symbol	Product No.	Product Symbol	Product No.
C	Clutch No. Compressor No.	F	Machine No. (Agricultural Equip.)
D	Drive No.	M	Machine No.
E	Engine No.		

Note 1) A date may follow the symbol. (Ex.) 1996.01

Note 2) "XXXXX" and "ZZZZZ" are for parts that could not be predicted or for engine models that could not be identified.

Note 3) (A=E00185) is the E (Engine Serial Number) for the column (A) model (in this case 4JH-DT) after the parts design change.

⑤ Remarks

Figures or alphabets (symbols) are entered in the remarks column.

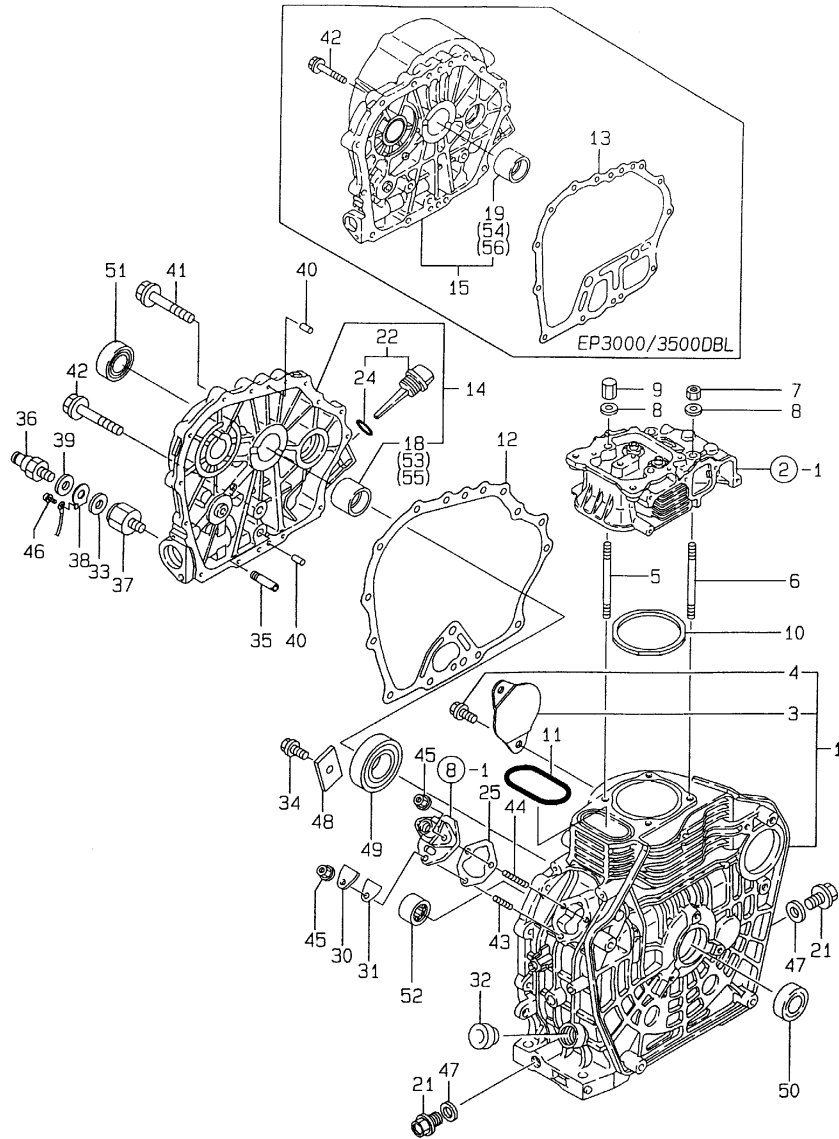
The comments (remarks) on parts that are indicated at the bottom of the illustration are the same symbols as those stated above.

Contents

OCD10-M56500

Fig. No.	Fig. Name	Fig. No.	Fig. Name
EP1700-3500DBL		25.	FUEL INJECTION PUMP
1.	CYLINDER BLOCK	26.	FUEL TANK & FUEL LINE
2.	CYLINDER HEAD & BONNET	27.	STARTING MOTOR & DYNAMO
3.	AIR CLEANER	28.	TOOLS,LABEL & GASKET SET
4.	MUFFLER	29.	SAFETY LABEL
5.	CRANKSHAFT,PISTON & CAMSHAFT	30.	SOUND PROOF CASE
6.	LUB.OIL PUMP & GOVERNOR	31.	GENERATOR
7.	COOLING & STARTING DEVICE	32.	PANEL
8.	FUEL INJECTION PUMP		
9.	FUEL TANK & FUEL LINE		
10.	STARTING MOTOR & DYNAMO		
11.	TOOL,LABEL & GASKET SET		
12.	SAFETY LABEL		
13.	FRAME & BATTERY		
14.	GENERATOR(EP1700/2000DBL)		
15.	GENERATOR(EP3000DBL)		
16.	GENERATOR(EP3500DBL)		
17.	PANEL		
18.	CYLINDER BLOCK		
19.	CYLINDER HEAD & BONNET		
20.	AIR CLEANER		
21.	MUFFLER		
22.	CRANKSHAFT.PISTON & CAMSHAFT		
23.	LUB.OIL PUMP & GOVERNOR		
24.	COOLING & STARTING DEVICE		

Fig.1. CYLINDER BLOCK



(A)=EP17/2000DBL
(B)=
(C)=EP30/3500DBL

(D)=
(E)=
(F)=

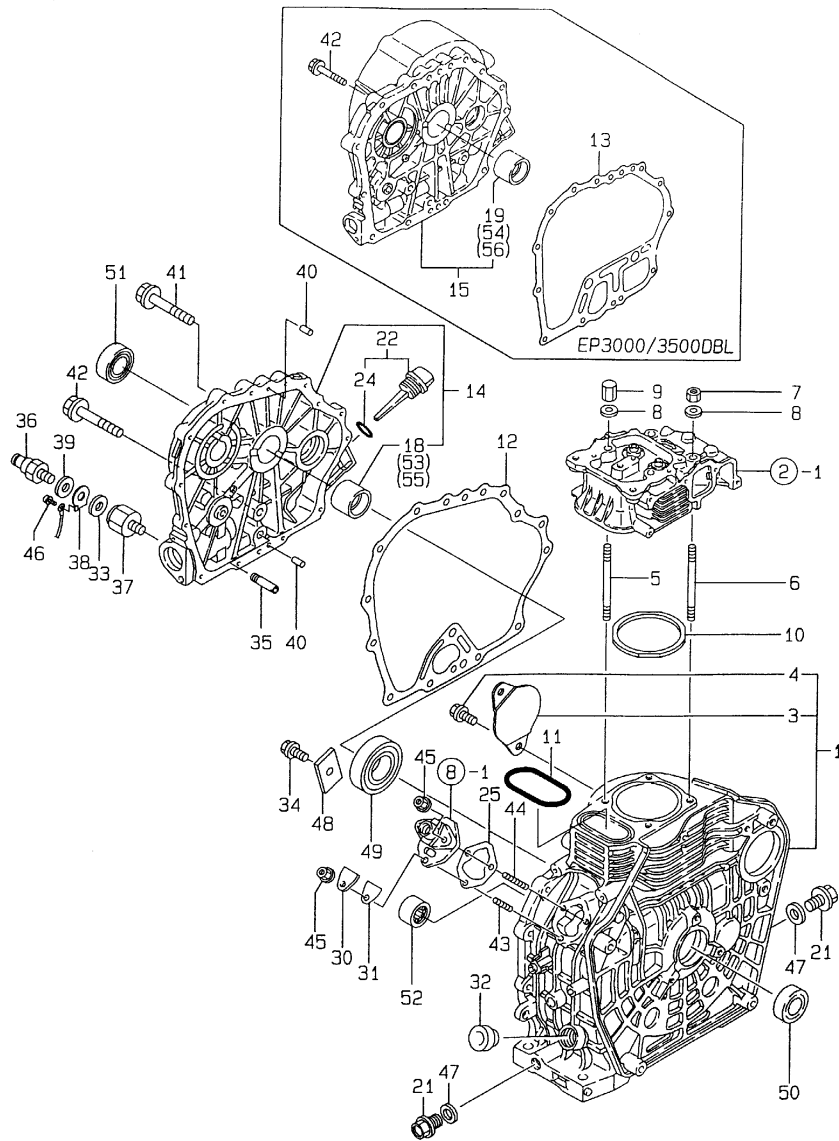
No.	Lev.	Parts No.	Description	Q'ty						I	R
				(A)	(B)	(C)	(D)	(E)	(F)		
1A	1	714270-01560	BLOCK ASSY, CYLINDER	1							
1B	1	714871-01560	BLOCK ASSY, CYLINDER			1					
3	2	114350-01700	COVER	1		1					
4	2	26106-100122	BOLT, M10X 12 PLATED	2	2						
5A	1	114250-01200	BOLT, HEAD	2							
5B	1	114350-01200	BOLT, HEAD			2					
6A	1	114250-01210	BOLT, HEAD	2							
6B	1	114350-01210	BOLT, HEAD			2					
7A	1	114250-01220	NUT, CYLINDER HEAD	2							
7B	1	114350-01220	NUT, CYLINDER HEAD				2				
8A	1	124950-01250	WASHER	4							
8B	1	105225-01240	WASHER			4					
9A	1	114250-01250	NUT, CAP	2							
9B	1	114350-01250	NUT, CYLINDER HEAD			2					
10A	1	114250-01340	GASKET, HEAD	1							G
10B	1	114870-01340	GASKET, HEAD			1					G
11A	1	114250-01380	O-RING	1							G
11B	1	114350-01380	O-RING			1					G
12	1	114250-01412	GASKET, CRANK CASE	1							G
13	1	114350-01412	GASKET, CRANK CASE			1					G
14	1	114260-01454	COVER, CRANK CASE	1							
15	1	183350-01451	COVER, CRANK CASE			1					
18	2	114250-02100	BEARING, MAIN	1							1
19	2	114350-02100	BEARING, MAIN			1					1
21	1	105425-01690	PLUG, 16	2	2						
22A	1	160710-01760	CAP ASSY, L82	1							
22B	1	160910-01740	CAP ASSY			1					
24	2	24311-000180	O-RING, 1AP18.0	1	1						G
25	1	114250-01800	SHIM SET	1	1						
30	1	114250-01830	COVER	1	1						
31	1	114250-01841	GASKET	1	1						G
32	1	160110-01870	PLUG, RUBBER	1	1						
33	1	183366-08290	WASHER	1	1						
34	1	26106-080122	BOLT, M8X 12 PLATED	1	1						
35	1	114250-35150	PIPE, OIL INLET	1	1						
36	1	183250-39450	SWITCH, 1.0KG	1	1						
37	1	183366-39460	JOINT	1	1						
38	1	171022-39470	TERMINAL, EARTH	1	1						
39	1	22117-100000	WASHER, 10	1	1						
40	1	114270-01600	PIN, M8X12	2	2						
41	1	26106-060252	BOLT, M6X 25 PLATED	14							
42	1	26106-080352	BOLT, M8X 35 PLATED	1	15						
43	1	26226-060182	STUD, M6X 18	1	1						
44	1	26226-060222	STUD, M6X 22	2	2						
45	1	26366-060002	NUT, M6	3	3						
46	1	26557-040082	SCREW, M4X 8	1	1						
47	1	22190-160002	WASHER, SEAL 16	2	2						G
48	1	114250-02030	RETAINER, BEARING	1	1						
49A	1	114250-02113	BEARING, HR6306G3C3	1							
49B	1	114350-02113	BEARING, B35-135G3C3			1					
50	1	160110-02220	SEAL, OIL	1	1						

Remarks
 (1) ONLY FOR REPAIR.
 (2) UNDER-SIZE(U.S=0.25)PART.
 (3) UNDER-SIZE(U.S=0.50)PART.
 (G) THESE PARTS ARE SOLD BY FIG.11,
 REF.NO.20A,B.

Fig.1. CYLINDER BLOCK

(A)=EP17/2000DBL
 (B)=
 (C)=EP30/3500DBL

(D)=
 (E)=
 (F)=



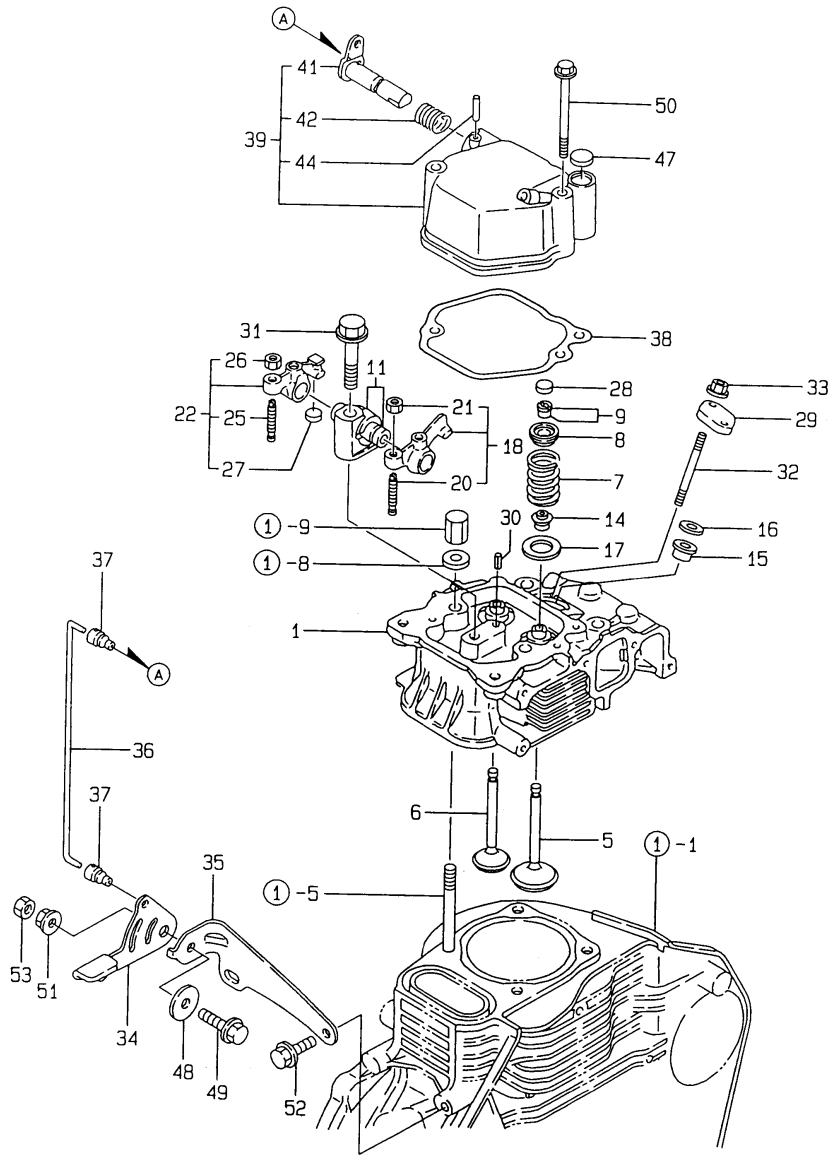
No.	Lev.	Parts No.	Description	Q'ty						I	R
				(A)	(B)	(C)	(D)	(E)	(F)		
51A	1	160210-02220	SEAL, 25X41.2X8	1							
51B	1	160110-02220	SEAL, OIL			1					
52	1	24162-152112	BEARING, 152112	1		1					
53	1	114250-02200	BEARING, 0.25 US	1							2
54	1	114350-02200	BEARING, 0.25 US			1					2
55	1	114250-02210	BEARING, 0.50 US	1							3
56	1	114350-02210	BEARING, 0.50 US			1					3

Remarks
 (1) ONLY FOR REPAIR.
 (2) UNDER-SIZE(U.S=0.25)PART.
 (3) UNDER-SIZE(U.S=0.50)PART.
 (G) THESE PARTS ARE SOLD BY FIG.11,
 REF.NO.20A,B.

Fig.2. CYLINDER HEAD & BONNET

(A)=EP17/2000DBL
(B)=
(C)=EP30/3500DBL

(D)=
(E)=
(F)=



No.	Lev.	Parts No.	Description	Q'ty						I	R
				(A)	(B)	(C)	(D)	(E)	(F)		
1A	1	114250-11020	HEAD ASSY, CYLINDER	1							
1B	1	114870-11021	HEAD ASSY, CYLINDER			1					
5A	1	114250-11101	VALVE, INTAKE	1							
5B	1	114350-11101	VALVE, INTAKE			1					
6A	1	114250-11113	VALVE, EXHAUST	1							
6B	1	114350-11113	VALVE, EXHAUST			1					
7A	1	114250-11120	SPRING, VALVE	2							
7B	1	114350-11120	SPRING, VALVE			2					
8A	1	114250-11180	RETAINER, SPRING	2							
8B	1	101158-11180	RETAINER, SPRING			2					
9A	1	714250-11570	COTTER ASSY	2							
9B	1	27310-060001	COTTER, 6			2					
11	1	114250-11290	SUPPORT, ROCKER ARM	1		1					
14A	1	114250-11340	SEAL, VALVE STEM	2							G
14B	1	114350-11340	SEAL, VALVE STEM			2					G
15	1	114250-11460	GASKET, NOZZLE	1	1						G
16	1	114350-11470	SPACER, NOZZLE	1	1						
17	1	114250-11600	WASHER	2	2						
18	1	114250-11651	ARM, ROCKER	1	1						
20	2	114250-11240	SCREW, VALVE ADJUST	1	1						
21	2	26756-060002	NUT, LOCK M6	1	1						
22A	1	714270-11660	ARM ASSY, ROCKER	1							
22B	1	714370-11660	ARM ASSY, ROCKER		1						
25	2	114250-11240	SCREW, VALVE ADJUST	1	1						
26	2	26756-060002	NUT, LOCK M6	1	1						
27A	2	119260-11370	CAP, VALVE	1							
27B	2	105010-11490	CAP, VALVE			1					
28A	1	119260-11370	CAP, VALVE	1							
28B	1	105010-11490	CAP, VALVE		1						
29	1	114250-11900	RETAINER, NOZZLE	1	1						
30	1	22351-040008	PIN, SPRING 4.0X 8	1	1						
31	1	26106-080452	BOLT, M8X 45 PLATED	1	1						
32	1	26226-060502	STUD, M6X 50	2	2						
33	1	26366-060002	NUT, M6	2	2						
34	1	183250-03410	LEVER, DECOMPRESSION	1	1						
35	1	183250-03450	BRACKET, LEVER	1	1						
36A	1	183250-03510	LINK	1							
36B	1	183350-03510	LINK		1						
37	1	183250-03550	JOINT	2	2						
38	1	114250-11311	GASKET, BONNET	1	1						G
39	1	183250-11951	BONNET ASSY, HEAD	1	1						
41	2	183250-03601	SHAFT, DECOMPRESSION	1	1						
42	2	114250-03640	SPRING, DECOMPRESSION	1	1						
44	2	22312-030160	PIN, PARALLEL M3X16	1	1						
47	1	129100-61850	PLUG, 12	1	1						
48	1	160670-66350	COLLAR	1	1						
49	1	26106-060202	BOLT, M6X 20 PLATED	1	1						
50	1	26106-060552	BOLT, M6X 55 PLATED	2	2						
51	1	26366-060002	NUT, M6	1	1						
52	1	26476-060142	SCREW, TAPPING M6X14	2	2						
53	1	26756-060002	NUT, LOCK M6	1	1						

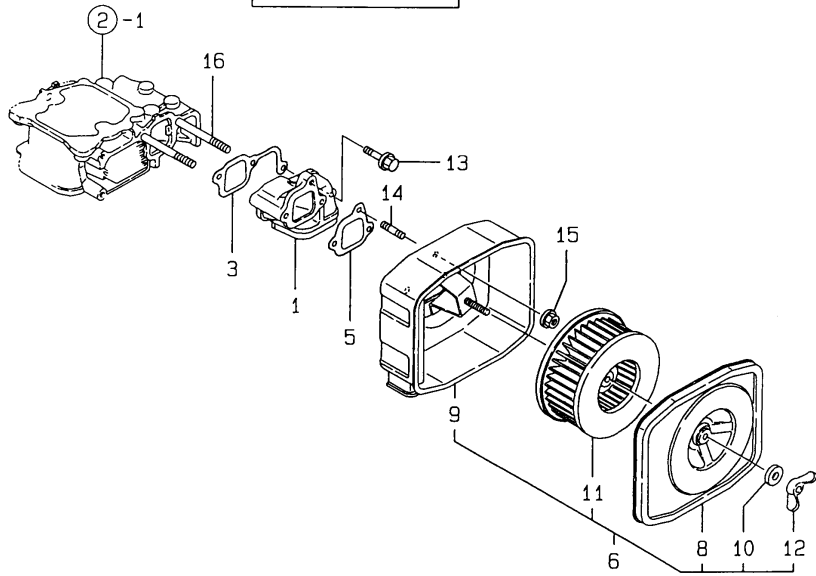
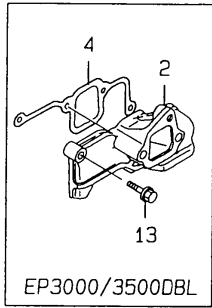
Remarks
(G) THESE PARTS ARE SOLD BY FIG.11,
REF.NO.20A,B.

Fig.3. AIR CLEANER

(A)=EP17/2000DBL
 (B)=
 (C)=EP30/3500DBL

(D)=
 (E)=
 (F)=

No.	Lev.	Parts No.	Description	Q'ty						I	R
				(A)	(B)	(C)	(D)	(E)	(F)		
1	1	114250-12010	PIPE, AIR INTAKE	1							
2	1	114350-12011	PIPE, AIR INTAKE			1					
3	1	114250-12201	GASKET	1							G
4	1	114350-12202	GASKET, AIR INTAKE			1					G
5	1	114250-12211	GASKET, AIR CLEANER	1		1					G
6	1	714250-12560	CLEANER ASSY, AIR	1		1					
8	2	114250-12520	COVER, AIR CLEANER	1		1					
9	2	114250-12530	CASE ASSY, CLEANER	1		1					
10	2	114250-12560	WASHER, SEAL M6	1		1					
11	2	114250-12580	ELEMENT	1		1					
12	2	114250-12550	NUT, WING M6	1		1					
13	1	26106-060252	BOLT, M6X 25 PLATED	1		2					
14	1	26226-060142	STUD, M6X 14	1		1					
15	1	26366-060002	NUT, M6	3		3					
16	1	26226-060552	STUD, M6X 55	2		2					

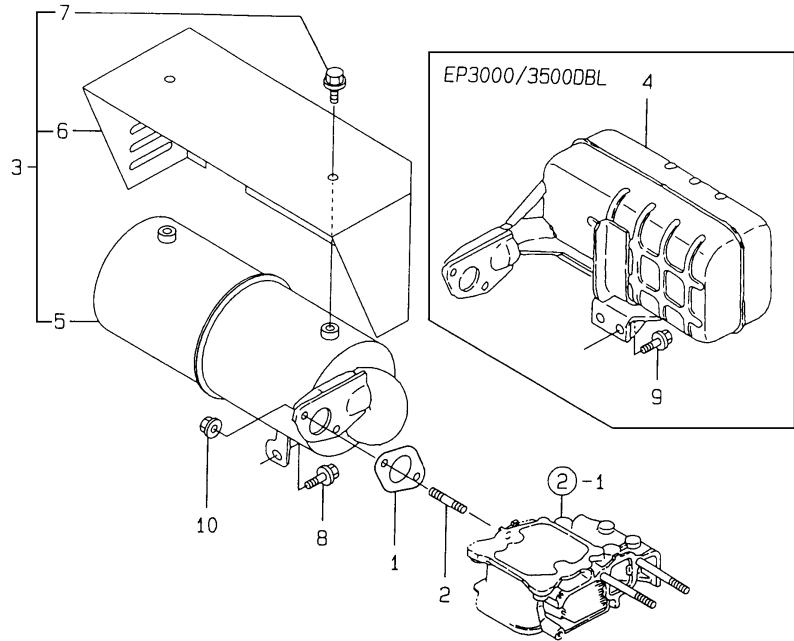


Remarks
 (G) THESE PARTS ARE SOLD BY FIG.11,
 REF.NO.20A,B.

Fig.4. MUFFLER

(A)=EP17/2000DBL
 (B)=
 (C)=EP30/3500DBL

(D)=
 (E)=
 (F)=



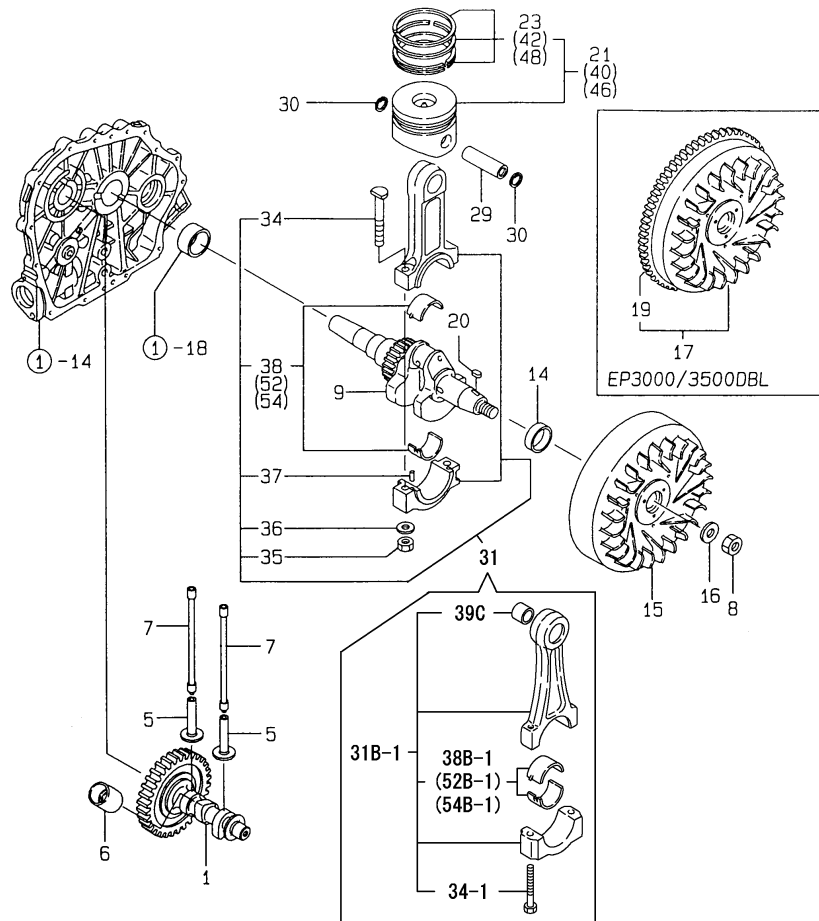
No.	Lev.	Parts No.	Description	Q'ty						I	R	
				(A)	(B)	(C)	(D)	(E)	(F)			
1	1	114250-13201	GASKET, MUFFLER	1		1						G
2	1	26216-080182	STUD, M8X 18	2		2						
3	1	183284-13050	MUFFLER ASSY	1								
4	1	183854-13510	MUFFLER ASSY			1						
5	2	183284-13500	MUFFLER	1								
6	2	183284-13550	COVER	1								
7	2	114252-13950	BOLT, M6X8	4								
8	1	26106-080162	BOLT, M8X 16 PLATED	1								
9	1	26106-060162	BOLT, M6X 16 PLATED			2						
10	1	26366-080002	NUT, M8	2		2						

Remarks
 (G) THESE PARTS ARE SOLD BY FIG.11,
 REF.NO.20A,B.

Fig.5. CRANKSHAFT,PISTON & CAMSHAFT

(A)=EP17/2000DBL
(B)=
(C)=EP30/3500DBL

(D)=
(E)=
(F)=



No.	Lev.	Parts No.	Description	Qty						I	R
				(A)	(B)	(C)	(D)	(E)	(F)		
1A	1	714780-14580	CAMSHAFT ASSY	1							
1A-1	1	714780-14581	CAMSHAFT ASSY, D	1							R
(A=EZZZZZ)											
1B	1	714880-14580	CAMSHAFT ASSY			1					
5	1	114250-14200	TAPPET	2		2					
6	1	114250-14260	TAPPET	1		1					
7A	1	114250-14450	ROD ASSY, PUSH	2							
7B	1	114350-14450	ROD ASSY, PUSH			2					
8	1	103854-01221	NUT, CYLINDER HEAD	1		1					
9A	1	783292-21700	CRANKSHAFT ASSY	1							
9B	1	783392-21700	CRANKSHAFT ASSY			1					
9B-1	1	783886-21700	CRANKSHAFT ASSY			1					F 5
(C=*1998.11.)											
14A	1	183250-21350	SPACER, CRANKSHAFT	1							
14B	1	183350-21350	SPACER, CRANKSHAFT			1					
15	1	114780-21400	FLYWHEEL	1							
16	1	114250-21550	WASHER	1		1					
17	1	114881-21590	FLYWHEEL ASSY			1					
19	2	114362-21600	GEAR, RING			1					
20	1	22512-040120	KEY, 4X 12	1		1					
21A	1	714280-22720	PISTON ASSY, D	1							
21B	1	714880-22720	PISTON ASSY, D			1					
23A	2	714250-22502	RING SET, PISTON	1							
23B	2	714870-22500	RING SET, PISTON			1					
29A	1	114250-22302	PIN, PISTON D=19	1							
29B	1	114350-22301	PIN, PISTON D=21			1					
30A	1	22252-000190	RING, 19	2							
30B	1	22252-000210	RING, 21			2					
31A	1	714250-23703	ROD ASSY, CONNECTING	1							
31B	1	714350-23704	ROD ASSY, CONNECTING			1					
31B-1	1	714380-23700	ROD ASSY, CONNECTING			1					F 5
(C=*1998.11.)											
34	2	114250-23200	BOLT, CONNECTING ROD	2		2					
34-1	2	118200-23200	BOLT, CONNECTING ROD			2					S
(C=*1998.11.)											
35	2	114250-23220	NUT	2		2					Z
(C=*1998.11.)											
36	2	114250-23250	WASHER	2		2					Z
(C=*1998.11.)											
37	2	22312-030080	PIN, PARALLEL M3X 8	2		2					Z
(C=*1998.11.)											
38A	2	714250-23600	BEARING, CRANK PIN	1							
38B	2	714350-23600	BEARING, CRANK PIN			1					
38B-1	2	714380-23600	BEARING, CRANK PIN			1					S
(C=*1998.11.)											
39C	2	114380-23100	BEARING, PISTON PIN			1					W
(C=*1998.11.)											
40A	1	714280-22620	PISTON ASSY, 0.25 OS	1							1
40B	1	714880-22620	PISTON ASSY, 0.25 OS			1					1
42A	2	714250-22542	RING SET, 0.25 OS	1							1
42B	2	714870-22540	RING SET, 0.25 OS			1					1

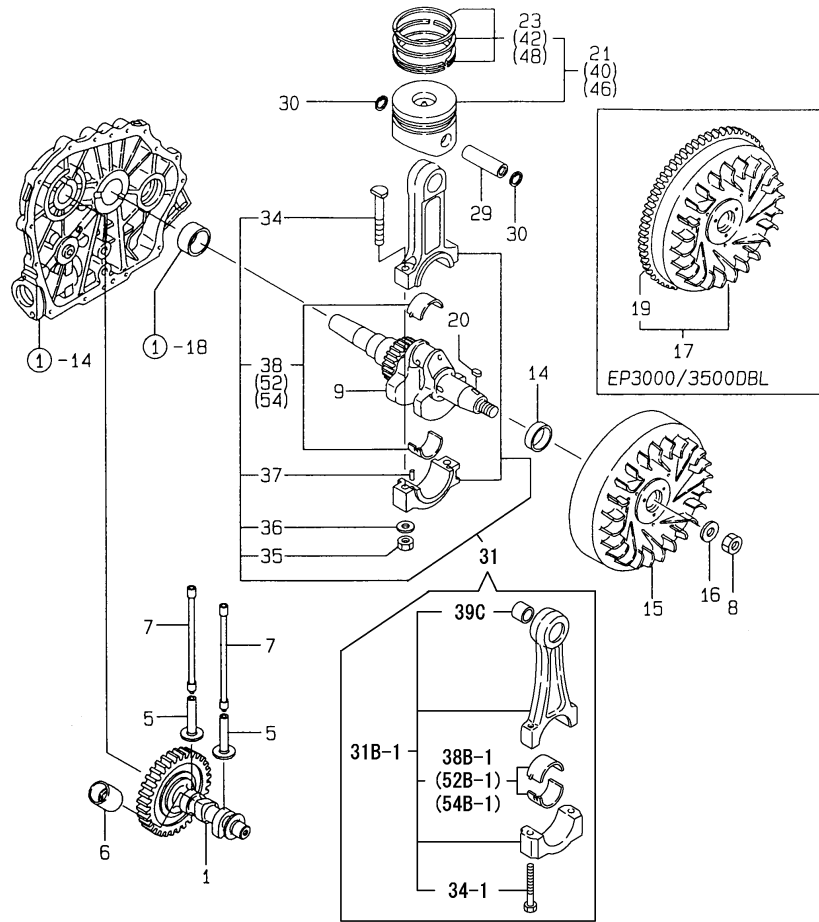
Remarks

- (1) OVER-SIZE(O.S=0.25)PART.
- (2) OVER-SIZE(O.S=0.50)PART.
- (3) UNDER-SIZE(U.S=0.25)PART.
- (4) UNDER-SIZE(U.S=0.50)PART.
- (5) REF.NO.9B-1 & 31B-1 INTERCHANGEABLE BY SET.

Fig.5. CRANKSHAFT,PISTON & CAMSHAFT

(A)=EP17/2000DBL
 (B)=
 (C)=EP30/3500DBL

(D)=
 (E)=
 (F)=



No.	Lev.	Parts No.	Description	Q'ty						I	R
				(A)	(B)	(C)	(D)	(E)	(F)		
46A	1	714280-22580	PISTON ASSY, 0.50 OS	1							2
46B	1	714880-22580	PISTON ASSY, 0.50 OS			1					2
48A	2	714250-22550	RING SET, 0.50 OS	1							2
48B	2	714870-22550	RING SET, 0.50 OS			1					2
52A	1	714250-23610	BEARING ASSY, 0.25	1							3
52B	1	714350-23610	BEARING ASSY, 0.25			1					3
52B-1	1	714380-23610	METAL ASSY, 0.25 (C=*1998.11.)			1					S 3
54A	1	714250-23620	BEARING, 0.50 US	1							4
54B	1	714350-23620	BEARING, 0.50 US			1					4
54B-1	1	714380-23620	BEARING, 0.50 US (C=*1998.11.)			1					S 4

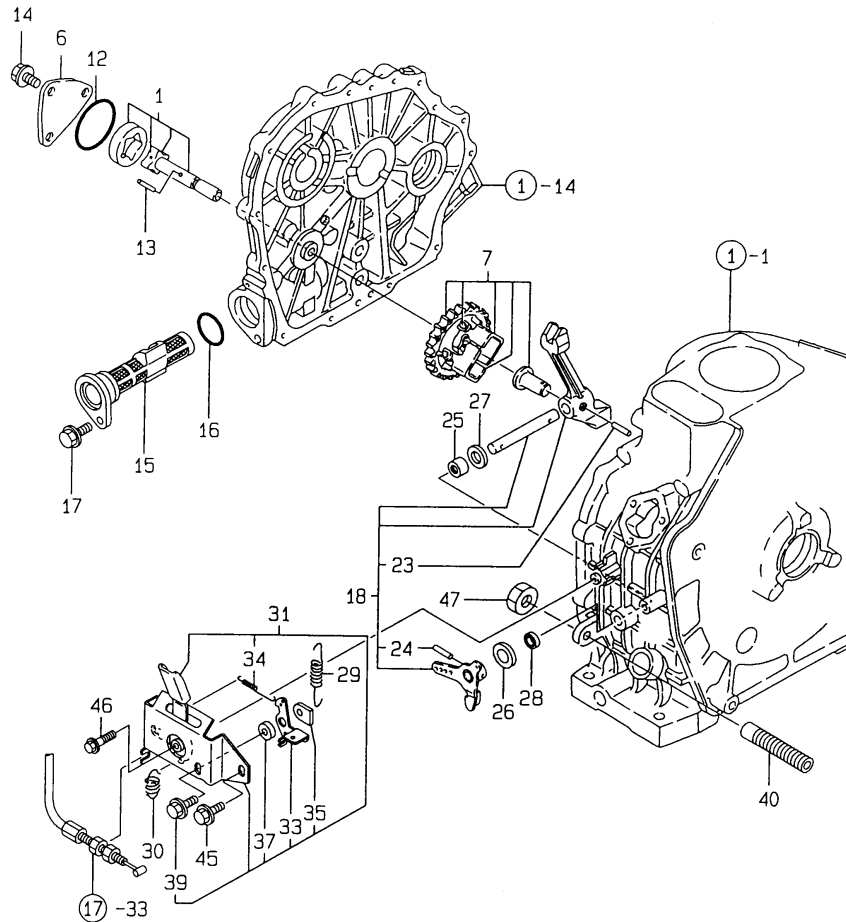
Remarks

- (1) OVER-SIZE(O.S=0.25)PART.
- (2) OVER-SIZE(O.S=0.50)PART.
- (3) UNDER-SIZE(U.S=0.25)PART.
- (4) UNDER-SIZE(U.S=0.50)PART.
- (5) REF.NO.9B-1 & 31B-1 INTERCHANGEABLE BY SET.

Fig.6. LUB.OIL PUMP & GOVERNOR

(A)=EP17/2000DBL
 (B)=
 (C)=EP30/3500DBL

(D)=
 (E)=
 (F)=



No.	Lev.	Parts No.	Description	Qty						I	R
				(A)	(B)	(C)	(D)	(E)	(F)		
1	1	114250-32010	PUMP ASSY, OIL	1		1					
6	1	114250-32070	COVER	1		1					
7	1	714770-61700	GOVERNOR ASSY	1		1					
12	1	103338-32570	O-RING	1		1					G
13	1	22312-030160	PIN, PARALLEL M3X16	1		1					
14	1	26476-060142	SCREW, TAPPING M6X14	3		3					
15	1	114250-35070	FILTER, OIL	1		1					
16	1	24341-000224	O-RING, 1AS22.4	1		1					G
17	1	26106-060162	BOLT, M6X 16 PLATED	1		1					
18A	1	714250-61501	LEVER ASSY, GOVERNOR	1							
18B	1	714350-61501	LEVER ASSY, GOVERNOR			1					
23	2	22322-030200	PIN, TAPER 3X20	1		1					
24	2	22322-030200	PIN, TAPER 3X20	1		1					
25	1	114270-61520	BEARING, NEEDLE 8	2		2					
26	1	114770-61610	WASHER, THRUST	1		1					
27	1	114770-61190	WASHER	1		1					
28	1	114770-61600	SEAL, OIL	1		1					
29A	1	114770-66010	SPRING, REGULATOR	1							
29B	1	114870-66010	SPRING, REGULATOR			1					
30	1	114250-66200	SPRING, RETURN	1		1					
31	1	183250-66511	BRACKET ASSY, HANDLE	1		1					
33	2	183250-66321	LEVER, LOCK	1		1					
34	2	183250-66331	SPRING	1		1					
35	2	183250-66341	NUT, LOCK	1		1					
37	2	183250-66361	COLLAR	1		1					
39	2	26106-060162	BOLT, M6X 16 PLATED	1		1					
40A	1	114770-66550	LIMITER ASSY, FUEL	1							1
40B	1	114250-66550	LIMITER ASSY, FUEL	1		1					2
45	1	26476-060142	SCREW, TAPPING M6X14	1		1					
46	1	26106-060202	BOLT, M6X 20 PLATED	1		1					
47	1	26696-100002	NUT, LOCK M10	1		1					

Remarks

- (1) ONLY FOR EP1700DBL.
- (2) ONLY FOR EP2000DBL.
- (G) THESE PARTS ARE SOLD BY FIG.11, REF.NO.20A,B.

Fig.7. COOLING & STARTING DEVICE

(A)=EP17/2000DBL

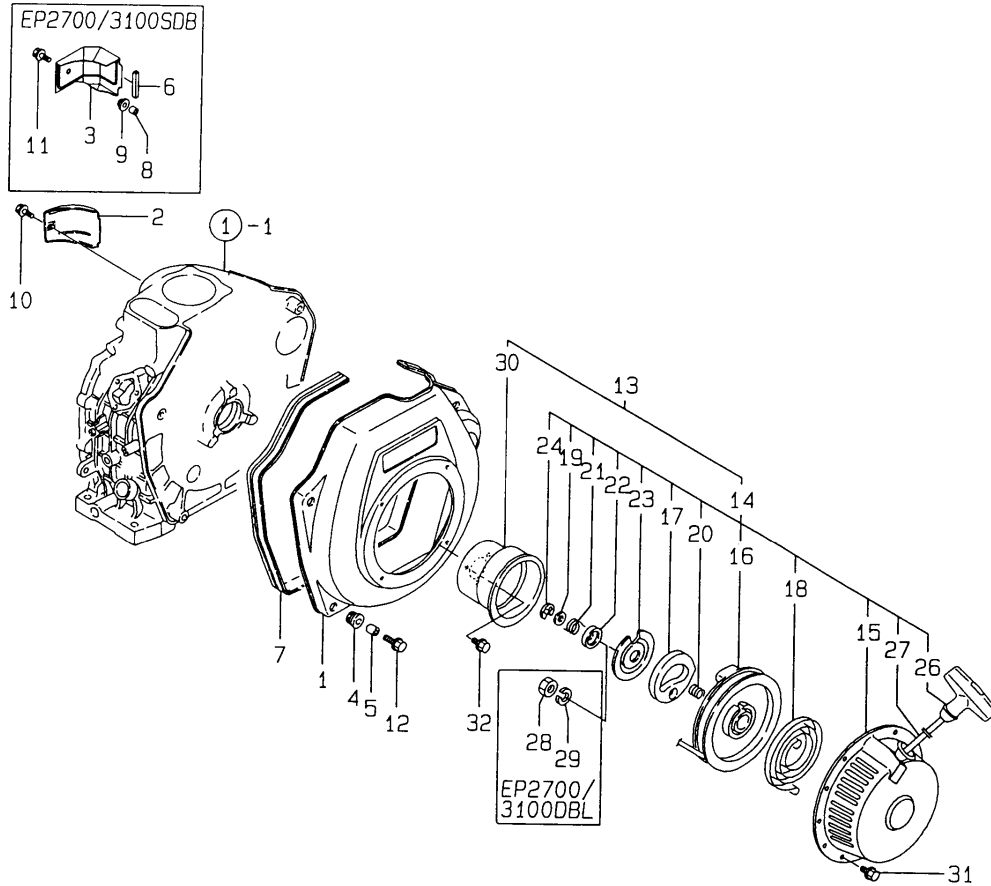
(B)=

(C)=EP30/3500DBL

(D)=

(E)=

(F)=

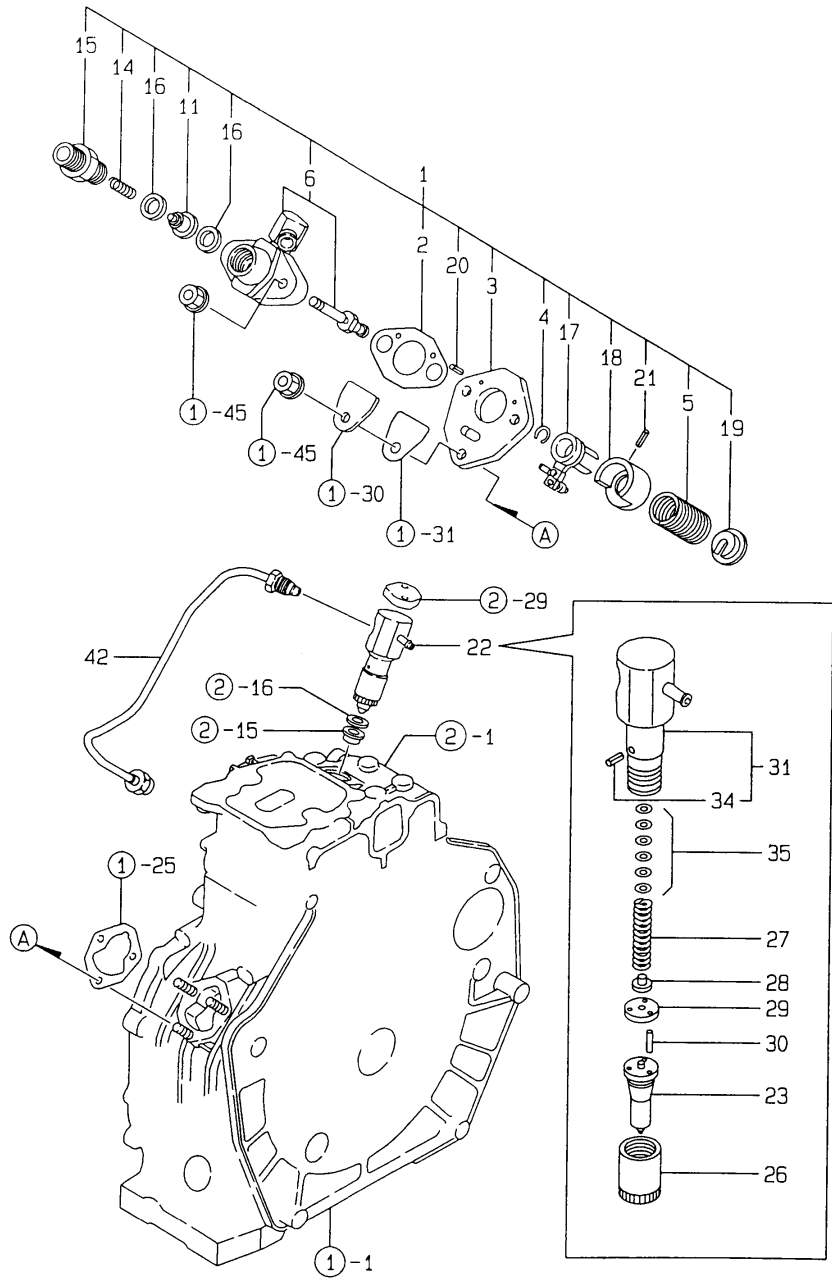


No.	Lev.	Parts No.	Description	Q'ty						I	R
				(A)	(B)	(C)	(D)	(E)	(F)		
1A	1	114780-45100-2	CASE, COOLING FAN	1							
1B	1	114360-45101-4	CASE, COOLING FAN			1					
2	1	114250-45211	COVER	1							
3	1	114870-45201	COVER			1					
4	1	114250-45300	ABSORBER	4		4					
5	1	114250-45310	COLLAR	4		4					
6	1	114350-45320	RUBBER, SEAL			1					
7	1	114250-45330	SEAL, FAN CASE L=875	1		1					
8	1	114350-45340	COLLAR			1					
9	1	183720-55210	GROMMET			1					
10	1	26476-060142	SCREW, TAPPING M6X14	1							
11	1	26476-060202	SCREW, TAPPING M6X20			1					
12	1	114370-45350	BOLT		4	4					
13A	1	114260-76050	STARTER ASSY, RECOIL	1							
13B	1	114880-76050	STARTER ASSY, RECOIL			1					
14A	2	114260-76250	STARTER ASSY, RECOIL	1							
14B	2	114880-76250	STARTER ASSY, RECOIL			1					
15A	3	114260-76520	CASE, STARTER	1							
15B	3	114880-76510	CASE, STARTER			1					
16A	3	160260-76520	REEL	1							
16B	3	160810-76520	REEL			1					
17A	3	160260-76530	RATCHET	1							
17B	3	160840-76530	RATCHET			1					
18A	3	160260-76540	SPRING, SPIRAL	1							
18B	3	160810-76540	SPRING, SPIRAL			1					
19	3	160260-76550	WASHER, THRUST	1							
20A	3	160260-76560	SPRING, FRICTION	1							
20B	3	160840-76560	SPRING, FRICTION			1					
21	3	160290-76570	SPRING, RETURN	1							
22	3	160260-76580	COVER	1							
23A	3	160260-76590	PLATE, FRICTION	1							
23B	3	160810-76580	PLATE, FRICTION			1					
24	3	160260-76600	CIRCLIP	1							
26A	3	160260-76620	KNOB, STARTER	1							
26B	3	160810-76620	KNOB, STARTER			1					
27A	3	160260-76630	ROPE, STARTER	1							
27B	3	160810-76630	ROPE, STARTER			1					
28	3	181130-76680	NUT			1					
29	3	181130-76700	WASHER			1					
30A	2	114250-76590	PULLEY, STARTER	1							
30B	2	114350-76590	PULLEY, STARTER			1					
31	1	26106-060082	BOLT, M6X 8 PLATED	4		4					
32	1	26106-060122	BOLT, M6X 12 PLATED	3		3					

Fig.8. FUEL INJECTION PUMP

(A)=EP17/2000DBL
 (B)=
 (C)=EP30/3500DBL

(D)=
 (E)=
 (F)=

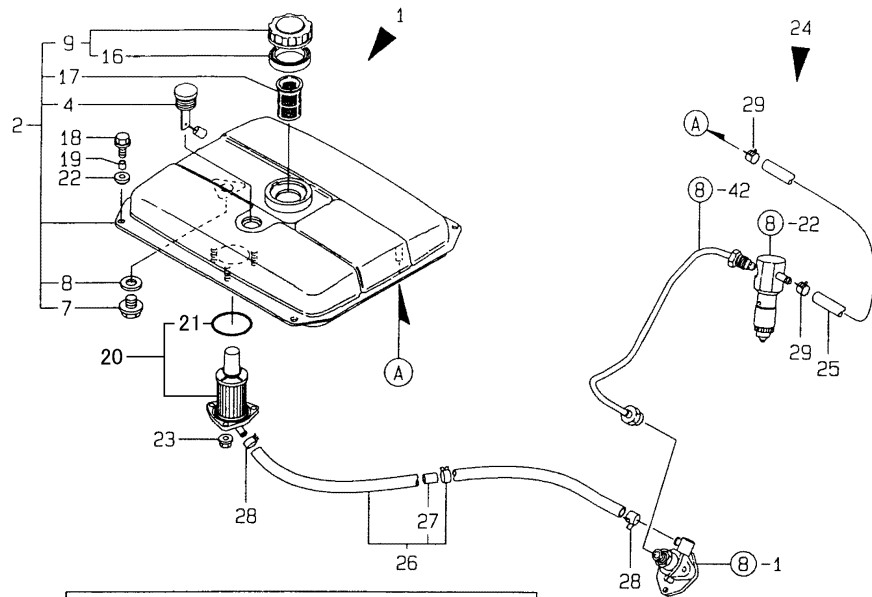


No.	Lev.	Parts No.	Description	Qty						I	R
				(A)	(B)	(C)	(D)	(E)	(F)		
1A	1	783250-51701	PUMP ASSY, INJECTION	1							
1B	1	783350-51701	PUMP ASSY, INJECTION			1					
2	2	105546-51020	GASKET	1		1					
3	2	114250-51080	PLATE	1		1					
4	2	114250-51150	RING, SNAP			1					
5	2	114250-51160	SPRING, PLUNGER	1		1					
6A	2	183250-51200	BODY ASSY, PUMP	1							
6B	2	183350-51200	BODY ASSY, PUMP			1					
11	2	114250-51300	VALVE ASSY, DELIVERY	1		1					
14	2	105546-51330	SPRING, DELIVERY	1		1					
15	2	114250-51340	HOLDER, DELIVERY	1		1					
16	2	124550-51350	GASKET, DELIVERY	2		2					
17	2	114250-51600	LEVER ASSY, CONTROL	1		1					
18	2	114250-51640	SEAT, SPRING A	1		1					
19	2	114250-51650	SEAT, SPRING B	1		1					
20	2	22351-020006	PIN, SPRING 2.0X 6	2		2					
21	2	22351-030008	PIN, SPRING 3.0X 8	1		1					
22A	1	714250-53101	VALVE ASSY,INJECTION	1							
22B	1	714870-53100	VALVE ASSY,INJECTION			1					
23A	2	114250-53001	VALVE ASSY,INJECTION	1							
23B	2	114870-53000	VALVE ASSY,INJECTION			1					
26	2	114250-53080	NUT, NOZZLE D16.95	1		1					
27	2	114250-53120	SPRING, NOZZLE	1		1					
28	2	114250-53130	SEAT, SPRING	1		1					
29	2	114250-53140	PLATE	1		1					
30	2	114250-53210	PIN	2		2					
31	2	114250-53300	HOLDER ASSY, NOZZLE	1		1					
34	3	114250-53331	PIN	1		1					
35	2	114250-53400	SHIM SET	1		1					
42A	1	183250-59800	PIPE ASSY, INJECTION	1							
42B	1	183350-59800	PIPE ASSY, INJECTION			1					

Fig.9. FUEL TANK & FUEL LINE

(A)=EP17/2000DBL
 (B)=
 (C)=EP30/3500DBL

(D)=
 (E)=
 (F)=

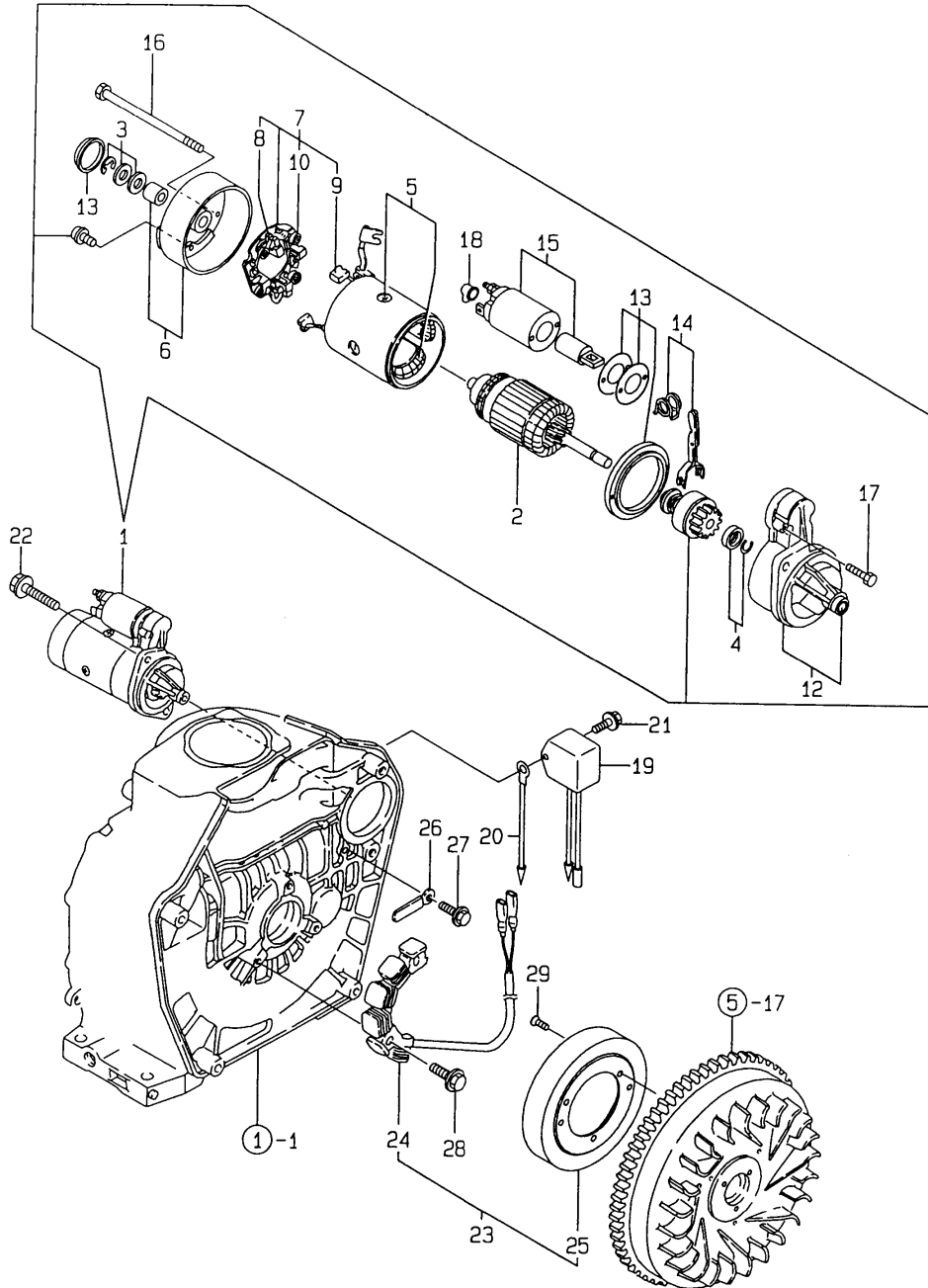


No.	Lev.	Parts No.	Description	Q'ty						I	R
				(A)	(B)	(C)	(D)	(E)	(F)		
1A	1	183254-55110	TANK ASSY, FUEL	1							
1B	1	183854-55110	TANK ASSY, FUEL			1					
2	2	X2A05276KB0	TANK ASSY, FUEL	1							
3	2	X2A05277KB0	TANK ASSY, FUEL			1					
4	3	X3A06146KA0	GAUGE, FUEL	1		1					
7	3	104200-55080	PLUG, DRAIN	1		1					
8	3	22190-120002	WASHER, SEAL 12	1		1					
9	3	160710-55061	CAP ASSY	1		1					
16	4	160393-55050	GASKET	1		1					
17	3	160710-55100	FILTER, FUEL	1		1					
18	2	X3A06123K03	BOLT	4		8					
19	2	X5M07994000	COLLAR	4		8					
20	2	183254-55120	FILTER, FUEL	1		1					
21	3	24341-000450	O-RING, 1AS45.0	1		1					
22	2	183720-55210	GROMMET	4		8					
23	2	26366-060002	NUT, M6	3		3					
24A	1	183254-59100	HOSE ASSY, FUEL	1							
24B	1	183854-59100	HOSE ASSY, FUEL			1					
25A	2	X3A06356K01	HOSE, FUEL	1							
25B	2	X3A06356K02	HOSE, FUEL			1					
26A	2	X3A06873KA0	HOSE, FUEL	1							
26B	2	X3A06873KB0	HOSE, FUEL L195			1					
27	3	183250-59040	PIECE	1		1					
28	2	106990-44660	CLIP, HOSE 12.5	2		2					
29	2	124722-59050	CLIP, HOSE 9	2		2					

Fig.10. STARTING MOTOR & DYNAMO

(A)=EP17/2000DBL
 (B)=
 (C)=EP30/3500DBL

(D)=
 (E)=
 (F)=

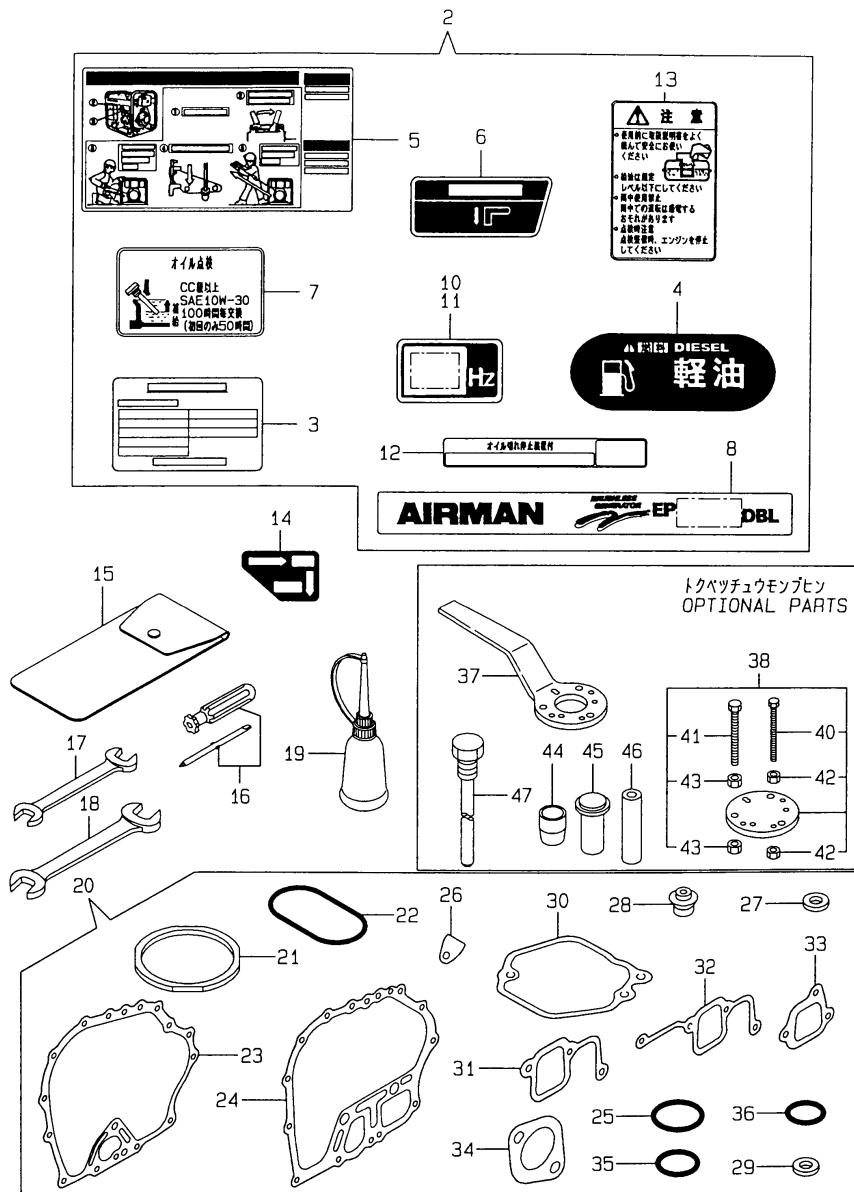


No.	Lev.	Parts No.	Description	Qty						I	R
				(A)	(B)	(C)	(D)	(E)	(F)		
1	1	114362-77011	STARTER			1					
2	2	114381-77110	ARMATURE			1					
3	2	X2114811000	WASHER KIT, THRUST			1					
4	2	X2114715500	STOPPER SET			1					
5	2	114381-77130	COIL ASSY, FIELD			1					
6	2	114381-77140	COVER			1					
7	2	114371-77160	HOLDER ASSY, BRUSH			1					
8	3	114371-79040	BRUSH			2					
9	3	114371-79050	BRUSH			1					
10	3	114371-79060	SPRING			4					
12	2	114381-77151	CASE ASSY			1					
13	2	114371-77170	COVER ASSY, DUST			1					
14	2	114371-77180	LEVER KIT, SHIFT			1					
15	2	X2114275010	SWITCH ASSY			1					
16	2	124195-77770	BOLT, THROUGH			2					
17	2	114371-79070	BOLT			2					
18	2	X2114274200	COVER			1					
19	1	160970-77350	RECTIFIER, ZR2117			1					
20	1	183350-77400	WIRE, LEAD			1					
21	1	26106-060122	BOLT, M6X 12 PLATED			1					
22	1	26106-100302	BOLT, M10X 30 PLATED			2					
23	1	114351-78251	DYNAMO ASSY			1					
24	2	114351-78751	STATOR ASSY			1					
25	2	114351-78761	WHEEL, DYNAMO			1					
26	1	160710-78710	CLAMP, CORD			1					
27	1	26476-060142	SCREW, TAPPING M6X14			1					
28	1	26476-060202	SCREW, TAPPING M6X20			3					
29	1	26577-060142	SCREW M 6X 14			3					

Fig.11. TOOL,LABEL & GASKET SET

(A)=EP17/2000DBL
(B)=
(C)=EP30/3500DBL

(D)=
(E)=
(F)=



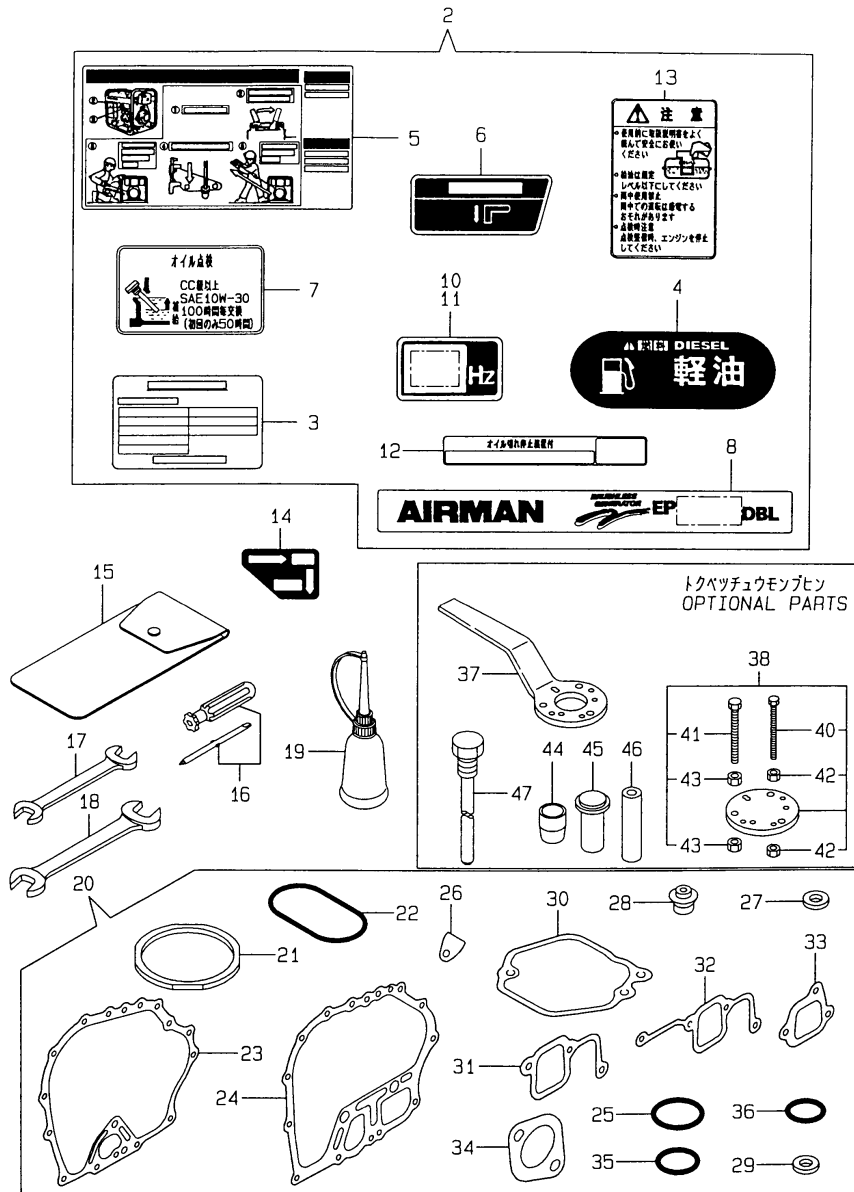
No.	Lev.	Parts No.	Description	Q'ty						I	R
				(A)	(B)	(C)	(D)	(E)	(F)		
2A	1	183254-07220	LABEL,ASSY	1						1	
2B	1	183264-07220	LABEL,ASSY	1						2	
2C	1	183855-07220	LABEL,ASSY			1				1	
2D	1	183865-07220	LABEL,ASSY			1				2	
3A	2	X3A06328K01	LABEL, MARK PLATE	1						1	
3B	2	X3A06328K02	LABEL, MARK PLATE	1						2	
3C	2	X3A06383K01	MARK PLATE,PW			1				1	
3D	2	X3A06383K02	MARK PLATE,PW			1				2	
4	2	X3A06339K01	LABEL, MARK PLATE	1		1					
5	2	X3A06341K01	LABEL, MARK PLATE	1		1					
6	2	X3A06813K01	LABEL, MARK PLATE	1		1					
7	2	X3A06856K01	LABEL, MARK PLATE	1		1					
8A	2	X3A06913K01	LABEL, MARK PLATE	1						1	
8B	2	X3A06913K02	LABEL, MARK PLATE	1						2	
8C	2	X3A06914K01	MARK PLATE,YM			1				1	
8D	2	X3A06914K02	MARK PLATE,YM			1				2	
10	2	183610-07230	LABEL, 50HZ	1		1				1	
11	2	183620-07230	LABEL, 60HZ	1		1				2	
12	2	183254-07450	LABEL, OIL CAUTION	1		1					
13	2	183614-07750	LABEL, CAUTION	1							
14	1	183250-07480	LABEL, RUN-STOP	1		1					
15	1	114250-92600	BAG, TOOL	1		1					
16	1	160330-92730	DRIVE, SCREW	1		1					
17	1	28110-100120	SPANNER, 10X12	1		1					
18	1	28110-140170	SPANNER, 14X17	1		1					
19	1	28210-000150	OILER	1		1					
20A	1	714250-92602	GASKET SET	1						3	
20B	1	714870-92601	GASKET SET			1				3	
21A	2	114250-01340	GASKET, HEAD	1							
21B	2	114870-01340	GASKET, HEAD			1					
22A	2	114250-01380	O-RING	1							
22B	2	114350-01380	O-RING			1					
23	2	114250-01412	GASKET, CRANK CASE	1							
24	2	114350-01412	GASKET, CRANK CASE			1					
25	2	24311-000180	O-RING, 1AP18.0	2		2					
26	2	114250-01841	GASKET	1		1					
27	2	22190-160002	WASHER, SEAL 16	2		2					
28A	2	114250-11340	SEAL, VALVE STEM	2							
28B	2	114350-11340	SEAL, VALVE STEM			2					
29	2	114250-11460	GASKET, NOZZLE	1		1					
30	2	114250-11311	GASKET, BONNET	1		1					
31	2	114250-12201	GASKET	1							
32	2	114350-12202	GASKET, AIR INTAKE			1					
33	2	114250-12211	GASKET, AIR CLEANER	1		1					
34	2	114250-13201	GASKET, MUFFLER	1		1					
35	2	103338-32570	O-RING	1		1					
36	2	24341-000224	O-RING, 1AS22.4	1		1					
37	1	114250-92101	HANDLE	1		1					3
38	1	114250-92130	TOOL, WHEEL REMOVER	1		1					3
40	2	26116-060454	BOLT M 6X 45 PLATED	4		4					3
41	2	26116-080454	BOLT, M8X 45 PLATED	3		3					3

Remarks
(1) Only for EP1700/3000DBL.
(2) Only for EP2000/3500DBL.
(3) Optional parts

Fig.11. TOOL,LABEL & GASKET SET

(A)=EP17/2000DBL
 (B)=
 (C)=EP30/3500DBL

(D)=
 (E)=
 (F)=



No.	Lev.	Parts No.	Description	Qty						I	R
				(A)	(B)	(C)	(D)	(E)	(F)		
42	2	26716-060002	NUT, M6	8		8					3
43	2	26716-080002	NUT, M8	6		6					3
44A	1	114250-92301	GUIDE	1							3
44B	1	114361-92300	GUIDE, OIL SEAL			1					3
45A	1	114250-92311	INSTALLING TOOL	1							3
45B	1	114350-92311	INSTALLING TOOL	1		1					3
46A	1	114250-92350	INSTALLING TOOL	1							3
46B	1	114350-92350	INSTALLING TOOL			1					3
47A	1	183254-92350	TOOL, ROTOR REMOVER	1							3
47B	1	183854-92350	TOOL, ROTOR REMOVER			1					3

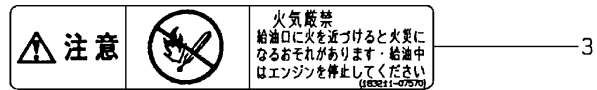
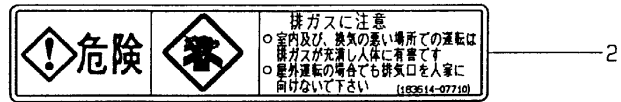
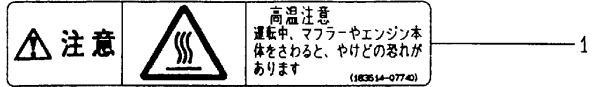
Remarks
 (1) Only for EP1700/3000DBL.
 (2) Only for EP2000/3500DBL.
 (3) Optional parts

Fig.12. SAFETY LABEL

(A)=EP17/2000DBL
 (B)=
 (C)=EP30/3500DBL

(D)=
 (E)=
 (F)=

No.	Lev.	Parts No.	Description	Q'ty						I	R	
				(A)	(B)	(C)	(D)	(E)	(F)			
1	1	183614-07740	LABEL,CAUTION	1		1						
2	1	183614-07710	LABEL,EXH.GAS CAUTN	1		1						
3	1	183211-07570	LABEL,NO FIRE	1		1						

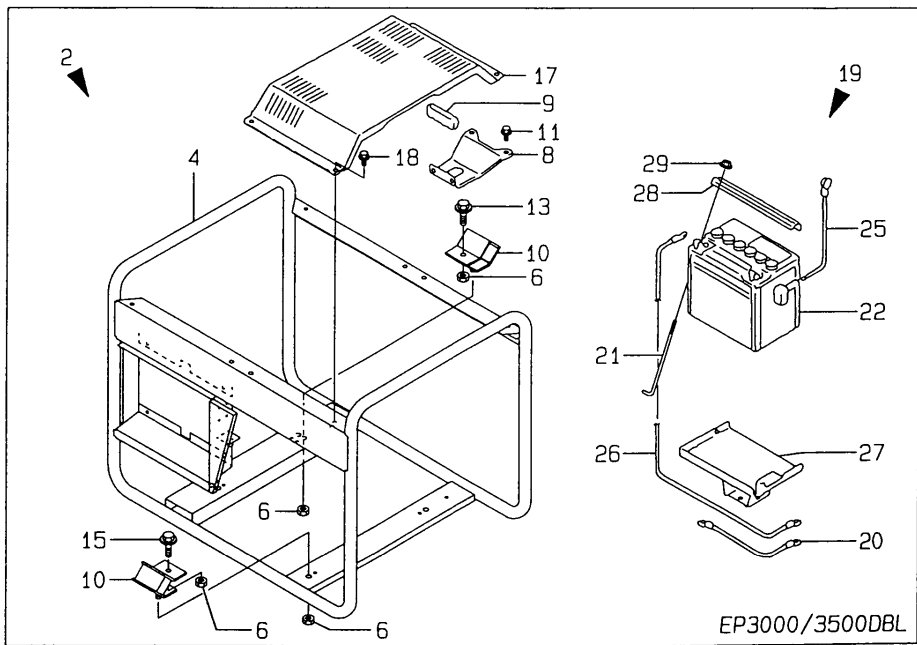
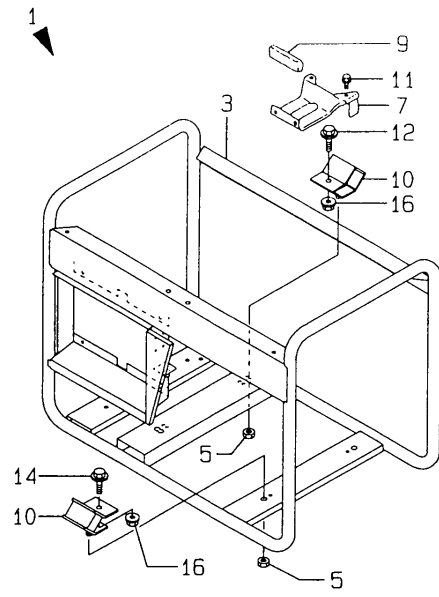


※貼付位置は取扱説明書を参照ください。

Fig.13. FRAME & BATTERY

(A)=EP17/2000DBL
 (B)=
 (C)=EP30/3500DBL

(D)=
 (E)=
 (F)=

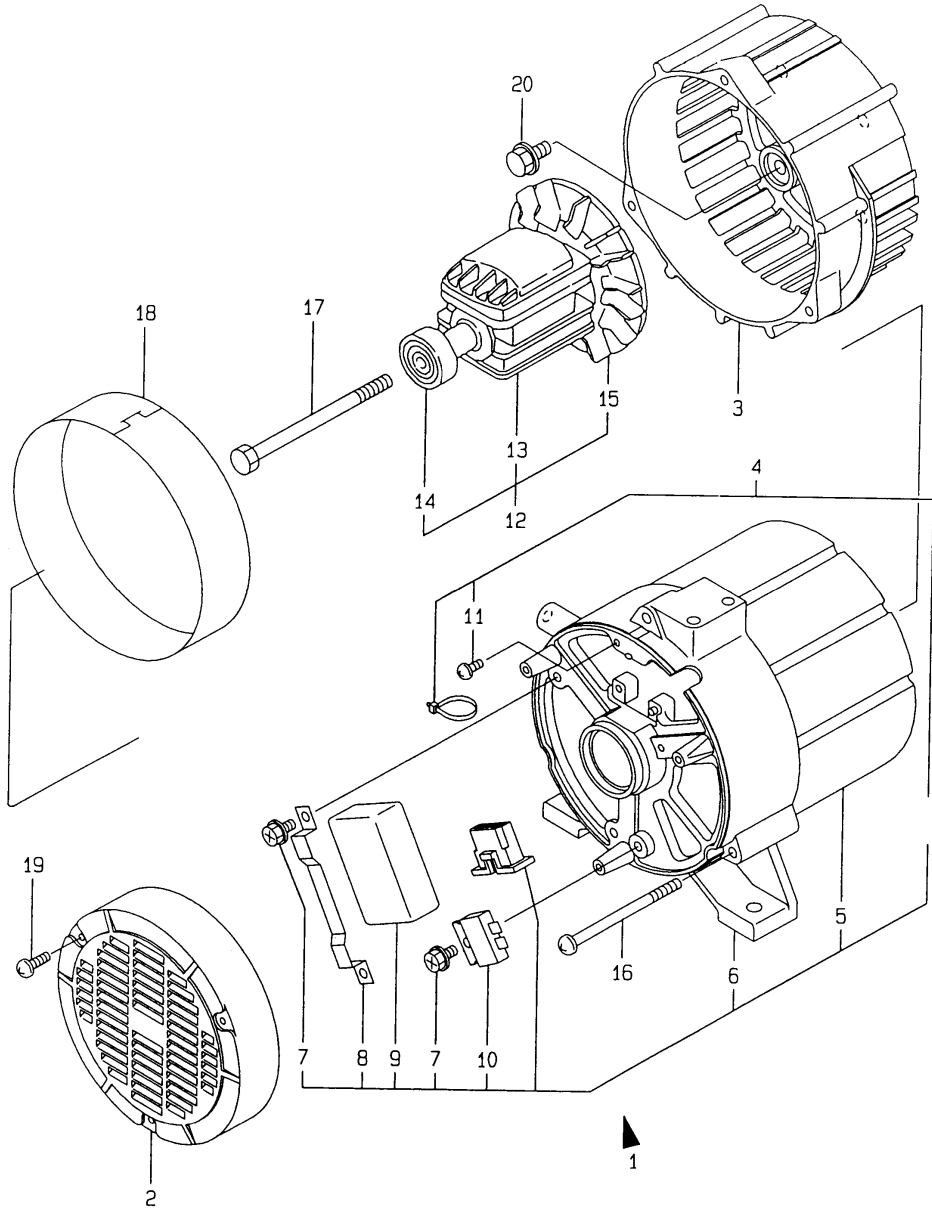


No.	Lev.	Parts No.	Description	Qty						I	R
				(A)	(B)	(C)	(D)	(E)	(F)		
1	1	183254-08100	FRAME ASSY	1							
2	1	183854-08100	FRAME ASSY			1					
3	2	X1A02513KB0	FRAME	1							
4	2	X1A02524KB0	FRAME			1					
5	2	X4A05719K02	NUT	4							
6	2	X4A05719K02	NUT			8					
7	2	183250-08150	STOPPER	1							
8	2	183350-08150	STOPPER			1					
9	2	183250-08160	RUBBER, STOPPER	1		1					
10	2	183284-08250	DAMPER	4		4					
11	2	26106-080162	BOLT, M8X 16 PLATED	2		2					
12	2	26106-080252	BOLT, M8X 25 PLATED	2							
13	2	X3A06403K02	BOLT			2					
14	2	26106-080352	BOLT, M8X 35 PLATED	2							
15	2	X3A06403K03	BOLT			2					
16	2	26366-080002	NUT, M8	4							
17	2	183384-08350-1	COVER, ENGINE			1					
18	2	26106-060122	BOLT, M6X 12 PLATED			3					
19	1	183855-79100	CABLE ASSY, BATTERY			1					
20	2	X3A06120K00	CORD ASSY			1					
21	2	X4A05899K01	BOLT, L198			2					
22	2	183350-79510	BATTERY ASSY, 26A19L			1					
25	2	183350-79560	CABLE, +			1					
26	2	183251-79570	CABLE (-)			1					
27	2	183350-79610-1	BRACKET, BATTERY			1					
28	2	183350-79630-1	RETAINER, BATTERY			1					
29	2	26366-050002	NUT, M5			2					

Fig.14. GENERATOR(EP1700/2000DBL)

(A)=EP17/2000DBL
 (B)=
 (C)=EP30/3500DBL

(D)=
 (E)=
 (F)=



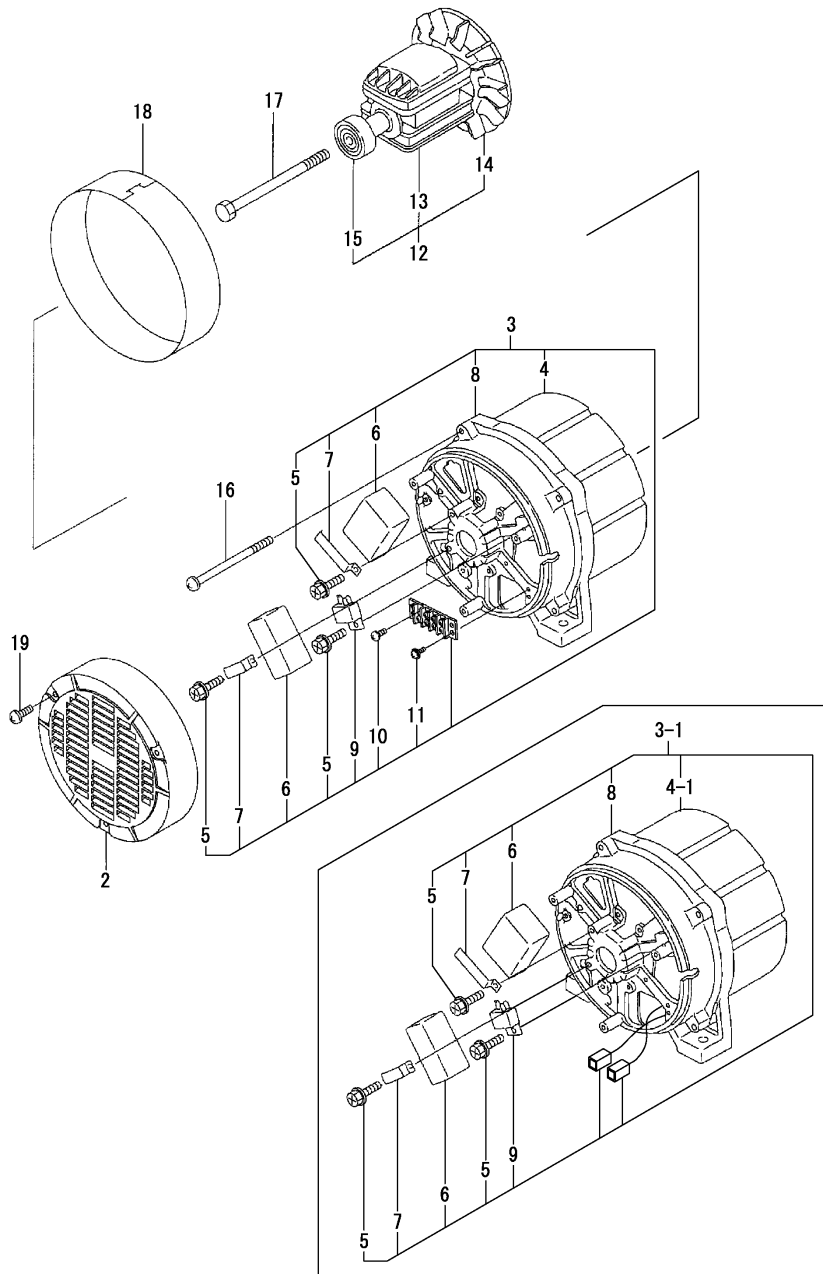
No.	Lev.	Parts No.	Description	Q'ty						I	R
				(A)	(B)	(C)	(D)	(E)	(F)		
1A	1	183254-74100	GENERATOR, 50HZ	1							1
1B	1	183264-74100	GENERATOR ASSY, 60HZ	1							2
2	2	X2A04444K03	COVER	1							
3	2	X2A04946KA0	COVER	1							
4A	2	X2A05229KA0	STATOR ASSY, 50HZ	1							1
4B	2	X2A05229KB0	STATOR ASSY, 60HZ	1							2
5A	3	X2A05230KA0	STATOR	1							1
5B	3	X2A05230KB0	STATOR	1							2
6	3	X2A05231KA0	COVER	1							
7	3	X4M47065000	SCREW, M5X10	3							
8	3	X4M71519000	BAND	1							
9	3	183740-74170	CONDENSER	2							
10	3	183250-74460	RECTIFIER	1							
11	3	26023-040082	SCREW, M4X 8	1							
12	2	X2A05232KA0	ROTOR ASSY	1							
13	3	X2A04849KH0	ROTOR	1							
14	3	X4A01823K01	BEARING, BALL 6202ZZ	1							
15	3	183640-74360	FAN	1							
16	2	X3A06121K06	BOLT, THROUGH	4							
17	2	X3A06122K03	BOLT, M8XL190	1							
18	2	X4A05721K05	BAND	1							
19	2	26023-040162	SCREW, M4X16	3							
20	2	26106-080182	BOLT, M8X 18 PLATED	4							

Remarks
 (1) Only for EP1700DBL.
 (2) Only for EP2000DBL.

Fig.15. GENERATOR(EP3000DBL)

(A)=EP17/2000DBL
 (B)=
 (C)=EP30/3500DBL

(D)=
 (E)=
 (F)=

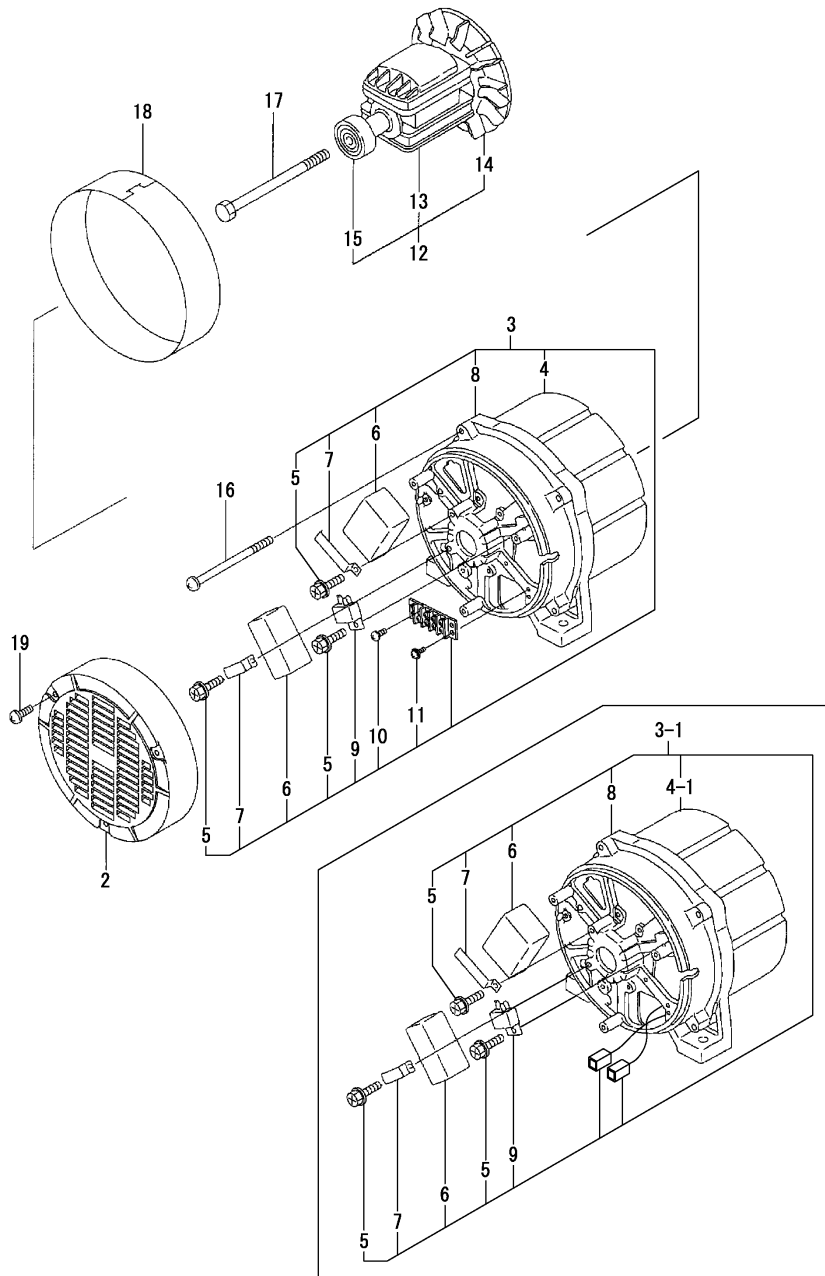


No.	Lev.	Parts No.	Description	Qty						I	R
				(A)	(B)	(C)	(D)	(E)	(F)		
2	2	X2A04759K01	COVER			1					
3	2	X2A05267KA0	STATOR ASSY			1					
3-1	2	X2A07485KA0	STATOR ASSY			1					S
			(C=MXXXXX)								
4	3	X2A05268KA0	STATOR			1					
4-1	3	X2A07486KA0	STATOR			1					S
			(C=MXXXXX)								
5	3	X4M47065000	SCREW, M5X10			3					
6	3	183740-74170	CONDENSER			2					
7	3	183740-74180	CLAMP			2					
8	3	183740-74250	COVER, REAR			1					
9	3	183250-74460	RECTIFIER			1					
10	3	26022-040082	SCREW, M4X 8			8					Z
			(C=MXXXXX)								
11	3	26023-040202	SCREW, M4X20			2					Z
			(C=MXXXXX)								
12	2	X2A05278KA0	ROTOR ASSY			1					
13	3	X2A05279KA0	ROTOR			1					
14	3	183740-74360	FAN			1					
15	3	183740-74370	BEARING			1					
16	2	X3A06121K04	BOLT, THROUGH			4					
17	2	X3A06125K04	BOLT			1					
18	2	X3A06384K01	BAND			1					
19	2	26023-040162	SCREW, M4X16			3					

Fig.16. GENERATOR(EP3500DBL)

(A)=EP17/2000DBL
 (B)=
 (C)=EP30/3500DBL

(D)=
 (E)=
 (F)=

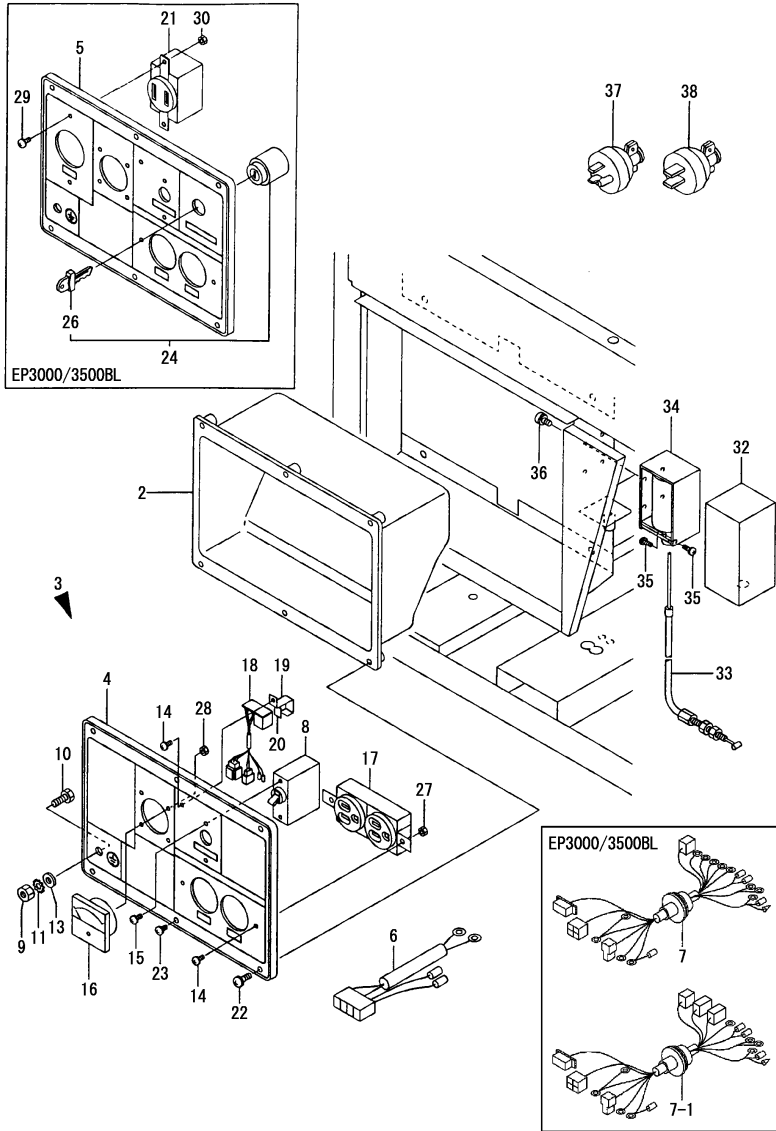


No.	Lev.	Parts No.	Description	Qty						I	R
				(A)	(B)	(C)	(D)	(E)	(F)		
2	2	X2A04759K01	COVER			1					
3	2	X2A05267KB0	STATOR ASSY			1					
3-1	2	X2A07485KB0	STATOR ASSY			1					S
			(C=MXXXXX)								
4	3	X2A05268KB0	STATOR			1					
4-1	3	X2A07486KB0	STATOR			1					S
			(C=MXXXXX)								
5	3	X4M47065000	SCREW, M5X10			3					
6	3	183740-74170	CONDENSER			2					
7	3	183740-74180	CLAMP			2					
8	3	183740-74250	COVER, REAR			1					
9	3	183250-74460	RECTIFIER			1					
10	3	26022-040082	SCREW, M4X 8			4					Z
			(C=MXXXXX)								
11	3	26023-040202	SCREW, M4X20			2					Z
			(C=MXXXXX)								
12	2	X2A05278KA0	ROTOR ASSY			1					
13	3	X2A05279KA0	ROTOR			1					
14	3	183740-74360	FAN			1					
15	3	183740-74370	BEARING			1					
16	2	X3A06121K04	BOLT, THROUGH			4					
17	2	X3A06125K04	BOLT			1					
18	2	X3A06384K01	BAND			1					
19	2	26023-040162	SCREW, M4X16			3					

Fig.17. PANEL

(A)=EP17/2000DBL
(B)=
(C)=EP30/3500DBL

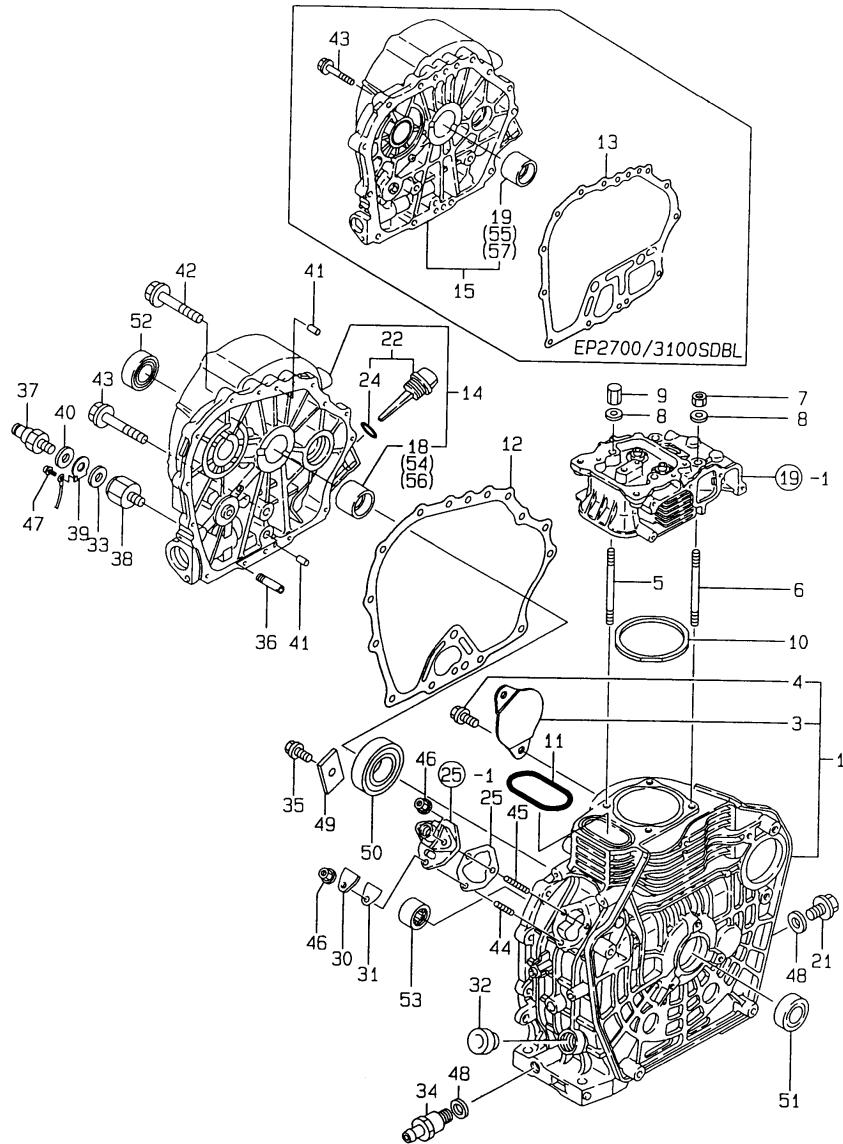
(D)=
(E)=
(F)=



No.	Lev.	Parts No.	Description	Q'ty						I	R
				(A)	(B)	(C)	(D)	(E)	(F)		
2	2	X1A02279K01	BOX	1		1					
3	2	X1A02465KA0	PANEL ASSY	1							1
3A	2	X1A02465KB0	PANEL ASSY	1							2
3B	2	X1A02467KA0	PANEL ASSY			1					3
3B-1	2	X1A03767KA0	PANEL ASSY (C=MXXXXX)			1					S 3
3C	2	X1A02467KB0	PANEL ASSY			1					4
3C-1	2	X1A03767KB0	PANEL ASSY (C=MXXXXX)			1					S 4
4	3	X2A05143KA0	PANEL	1							
5	3	X2A05168KA0	PANEL			1					3
5A	3	X2A05168KB0	PANEL			1					4
6	3	X2A05174KA0	WIREHARNES	1							
7	3	X2A05176KA0	HARNES, WIRE			1					
7-1	3	X2A07483KA0	HARNES			1					S
			(C=MXXXXX)								
8	3	X2A06285K06	BREAKER, AC	1							1
8A	3	183000-96540	BREAKER, AC 20A	1							2
8B	3	183000-96520	BREAKER, AC 30A			1					3
8C	3	183000-96570	BREAKER, AC 35A			1					4
9	3	X4A02757K01	NUT	1		1					
10	3	X4A05872K01	BOLT	1		1					
11	3	X4A05873K01	WASHER	1		1					
12	3	X4M57215000	CLAMP	1		1					5
13	3	183350-55130	WASHER	1		1					
14	3	183976-91080	SCREW, M4X10	3		3					
15	3	183976-91090	SCREW, M3X5	2		2					
16	3	183730-91210	REGULATOR, VOLTAGE	1		1					
17	3	183920-91320	SOCKET, 125VX2	1		1					
18	3	183284-91600	RELAY ASSY	2		2					
19	3	183284-91680	HOLDER	1		1					
20	3	183284-91690	CUSHION	1		1					
21	3	183830-91320	SOCKET, 30A	1		1					
22	2	X4A01031K01	SCREW	4		4					
23	2	X4A05871K01	SCREW	2		2					
24	2	183920-91450	SWITCH ASSY, KEY			1					
26	3	183920-91280	KEY, STARTER			1					
27	2	26757-040002	NUT, LOCK M4	2		2					
28	2	183925-91990	NUT, LOCK	2		2					
29	2	183976-91080	SCREW, M4X10	2		2					
30	2	26757-040002	NUT, LOCK M4	2		2					
32	2	183250-66410	COVER	1		1					
33	2	183350-66420	WIRE, L=180	1							
33A	2	183285-66420	WIRE			1					
34	2	183972-91690	SOLENOID	1		1					
35	2	26022-040082	SCREW, M4X 8	2		2					
36	2	26023-030082	SCREW, M3X 8	4		4					
37	1	183720-91750	PLUG, 125VX15A	2		2					
38	1	183392-91750	PLUG, 30A-250V			1					

Remarks
 (1) Only for EP1700DBL.
 (2) Only for EP2000DBL.
 (3) Only for EP3000DBL.
 (4) Only for EP3500DBL.
 (5) Not illustrated.

Fig.18. CYLINDER BLOCK



(A)=
(B)=EP17/2000SDB
(C)=

(D)=EP27/3100SDB
(E)=
(F)=

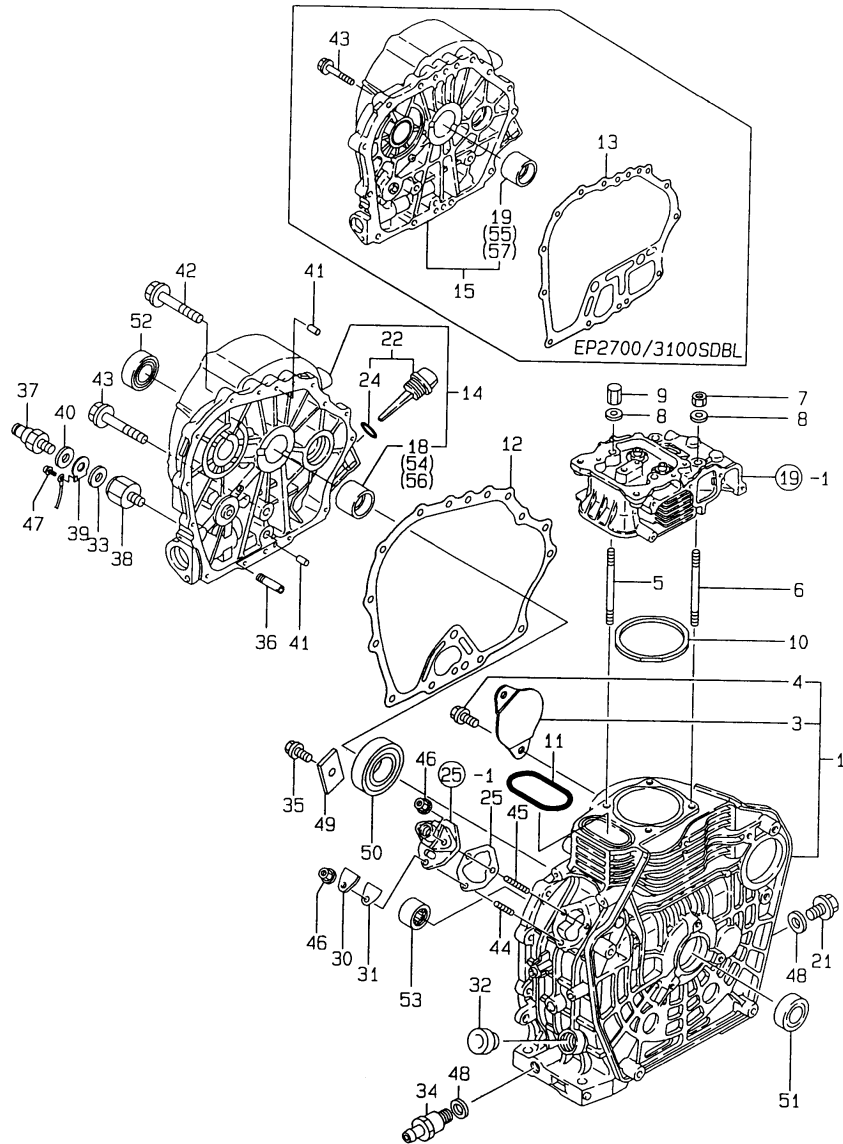
No.	Lev.	Parts No.	Description	Q'ty						I	R
				(A)	(B)	(C)	(D)	(E)	(F)		
1A	1	714271-01560	BLOCK ASSY, CYLINDER		1						
1B	1	714371-01560	BLOCK ASSY, CYLINDER				1				
3	2	114350-01700	COVER		1		1				
4	2	26106-100122	BOLT, M10X 12 PLATED		2		2				
5A	1	114250-01200	BOLT, HEAD		2						
5B	1	114350-01200	BOLT, HEAD						2		
6A	1	114250-01210	BOLT, HEAD		2						
6B	1	114350-01210	BOLT, HEAD						2		
7A	1	114250-01220	NUT, CYLINDER HEAD		2						
7B	1	114350-01220	NUT, CYLINDER HEAD						2		
8A	1	124950-01250	WASHER		4						
8B	1	105225-01240	WASHER						4		
9A	1	114250-01250	NUT, CAP		2						
9B	1	114350-01250	NUT, CYLINDER HEAD						2		
10A	1	114250-01340	GASKET, HEAD		1						G
10B	1	114350-01340	GASKET, HEAD						1		G
11A	1	114250-01380	O-RING		1						G
11B	1	114350-01380	O-RING						1		G
12	1	114250-01412	GASKET, CRANK CASE		1						G
13	1	114350-01412	GASKET, CRANK CASE						1		G
14	1	183250-01451	COVER, CRANK CASE		1						
15	1	183350-01451	COVER, CRANK CASE						1		
18	2	114250-02100	BEARING, MAIN		1						1
19	2	114350-02100	BEARING, MAIN						1		1
21	1	105425-01690	PLUG, 16		1		1				
22A	1	160710-01760	CAP ASSY, L82		1						
22B	1	160910-01740	CAP ASSY						1		
24	2	24311-000180	O-RING, 1AP18.0		1		1				G
25	1	114250-01800	SHIM SET		1		1				
30	1	114250-01830	COVER		1		1				
31	1	114250-01841	GASKET		1		1				G
32	1	160110-01870	PLUG, RUBBER		1		1				
33	1	183366-08290	WASHER		1		1				
34	1	183366-08351	NIPPLE, DRAIN		1		1				
35	1	26106-080122	BOLT, M8X 12 PLATED		1		1				
36	1	114250-35150	PIPE, OIL INLET		1		1				
37	1	183250-39450	SWITCH, 1.0KG		1		1				
38	1	183366-39460	JOINT		1		1				
39	1	171022-39470	TERMINAL, EARTH		1		1				
40	1	22117-100000	WASHER, 10		1		1				
41	1	114270-01600	PIN, M8X12		2		2				
42	1	26106-060252	BOLT, M6X 25 PLATED		14						
43	1	26106-080352	BOLT, M8X 35 PLATED		1		15				
44	1	26226-060182	STUD, M6X 18		1		1				
45	1	26226-060222	STUD, M6X 22		2		2				
46	1	26366-060002	NUT, M6		3		3				
47	1	26557-040082	SCREW, M4X 8		1		1				
48	1	22190-160002	WASHER, SEAL 16		2		2				G
49	1	114250-02030	RETAINER, BEARING		1		1				
50A	1	114250-02113	BEARING, HR6306G3C3		1						
50B	1	114350-02113	BEARING, B35-135G3C3						1		

Remarks
 (1) ONLY FOR REPAIR.
 (2) UNDER-SIZE(U.S=0.25)PART.
 (3) UNDER-SIZE(U.S=0.50)PART.
 (G) THESE PARTS ARE SOLD BY FIG.11,
 REF.NO.35A,B.

Fig.18. CYLINDER BLOCK

(A)=
(B)=EP17/2000SDB
(C)=

(D)=EP27/3100SDB
(E)=
(F)=



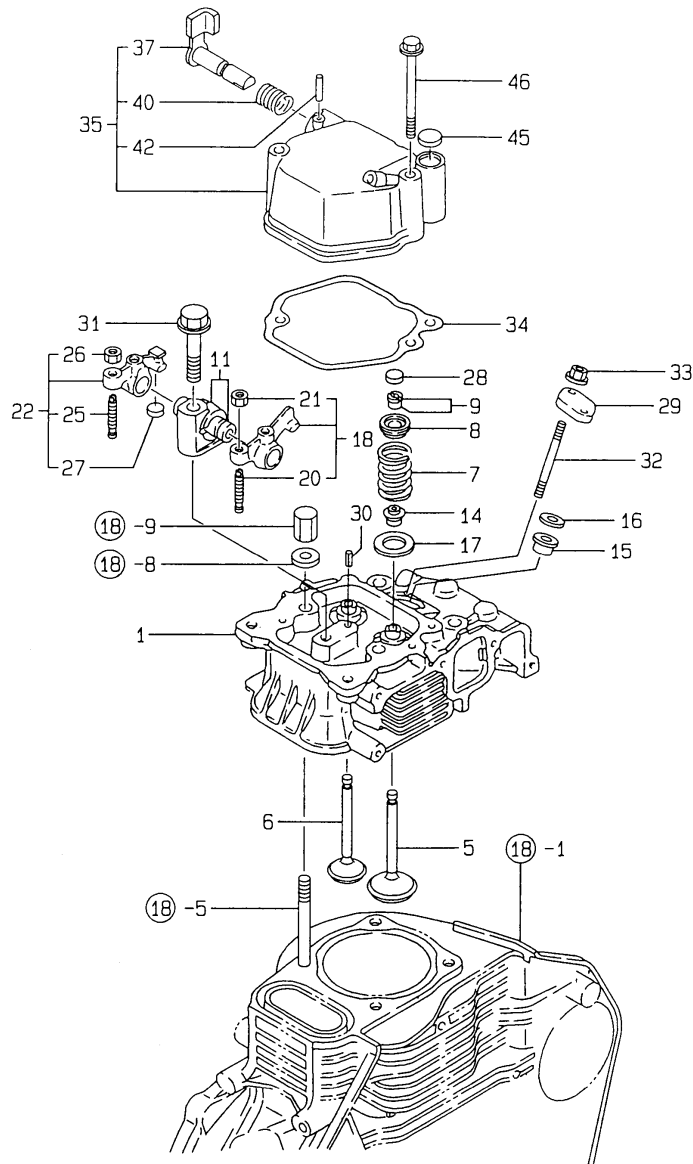
No.	Lev.	Parts No.	Description	Q'ty						I	R
				(A)	(B)	(C)	(D)	(E)	(F)		
51	1	160110-02220	SEAL, OIL		1		1				
52A	1	160210-02220	SEAL, 25X41.2X8		1						
52B	1	160110-02220	SEAL, OIL				1				
53	1	24162-152112	BEARING, 152112		1		1				
54	1	114250-02200	BEARING, 0.25 US		1						2
55	1	114350-02200	BEARING, 0.25 US					1			2
56	1	114250-02210	BEARING, 0.50 US		1						3
57	1	114350-02210	BEARING, 0.50 US					1			3

Remarks
 (1) ONLY FOR REPAIR.
 (2) UNDER-SIZE(U.S=0.25)PART.
 (3) UNDER-SIZE(U.S=0.50)PART.
 (G) THESE PARTS ARE SOLD BY FIG.11,
 REF.NO.35A,B.

Fig.19. CYLINDER HEAD & BONNET

(A)=
(B)=EP17/2000SDB
(C)=

(D)=EP27/3100SDB
(E)=
(F)=



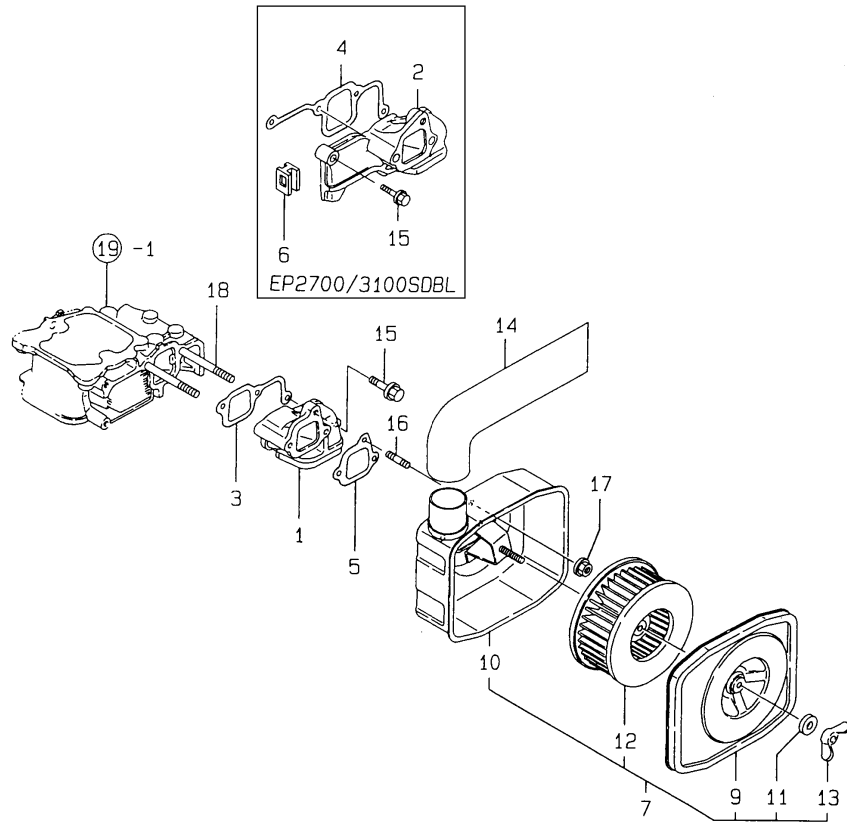
No.	Lev.	Parts No.	Description	Q'ty						I	R
				(A)	(B)	(C)	(D)	(E)	(F)		
1A	1	114250-11020	HEAD ASSY, CYLINDER		1						
1B	1	114870-11021	HEAD ASSY, CYLINDER				1				
5A	1	114250-11101	VALVE, INTAKE		1						
5B	1	114350-11101	VALVE, INTAKE					1			
6A	1	114250-11113	VALVE, EXHAUST		1						
6B	1	114350-11113	VALVE, EXHAUST					1			
7A	1	114250-11120	SPRING, VALVE		2						
7B	1	114350-11120	SPRING, VALVE					2			
8A	1	114250-11180	RETAINER, SPRING		2						
8B	1	101158-11180	RETAINER, SPRING					2			
9A	1	714250-11570	COTTER ASSY		2						
9B	1	27310-060001	COTTER, 6					2			
11	1	114250-11290	SUPPORT, ROCKER ARM		1			1			
14A	1	114250-11340	SEAL, VALVE STEM		2						G
14B	1	114350-11340	SEAL, VALVE STEM					2			G
15	1	114250-11460	GASKET, NOZZLE		1		1				G
16	1	114350-11470	SPACER, NOZZLE		1		1				
17	1	114250-11600	WASHER		2		2				
18	1	114250-11651	ARM, ROCKER		1		1				
20	2	114250-11240	SCREW, VALVE ADJUST		1		1				
21	2	26756-060002	NUT, LOCK M6		1		1				
22A	1	714270-11660	ARM ASSY, ROCKER		1						
22B	1	714370-11660	ARM ASSY, ROCKER				1				
25	2	114250-11240	SCREW, VALVE ADJUST		1		1				
26	2	26756-060002	NUT, LOCK M6		1		1				
27A	2	119260-11370	CAP, VALVE		1						
27B	2	105010-11490	CAP, VALVE					1			
28A	1	119260-11370	CAP, VALVE		1						
28B	1	105010-11490	CAP, VALVE					1			
29	1	114250-11900	RETAINER, NOZZLE		1		1				
30	1	22351-040008	PIN, SPRING 4.0X 8		1		1				
31	1	26106-080452	BOLT, M8X 45 PLATED		1		1				
32	1	26226-060502	STUD, M6X 50		2		2				
33	1	26366-060002	NUT, M6		2		2				
34	1	114250-11311	GASKET, BONNET		1		1				G
35	1	114250-11951	BONNET ASSY, HEAD		1		1				
37	2	114250-03591	LEVER ASSY		1		1				
40	2	114250-03640	SPRING, DECOMPRESSION		1		1				
42	2	22312-030160	PIN, PARALLEL M3X16		1		1				
45	1	129100-61850	PLUG, 12		1		1				
46	1	26106-060552	BOLT, M6X 55 PLATED		2		2				

Remarks
(G) THESE PARTS ARE SOLD BY FIG.11,
REF.NO.35A,B.

Fig.20. AIR CLEANER

(A)=
(B)=EP17/2000SDB
(C)=

(D)=EP27/3100SDB
(E)=
(F)=



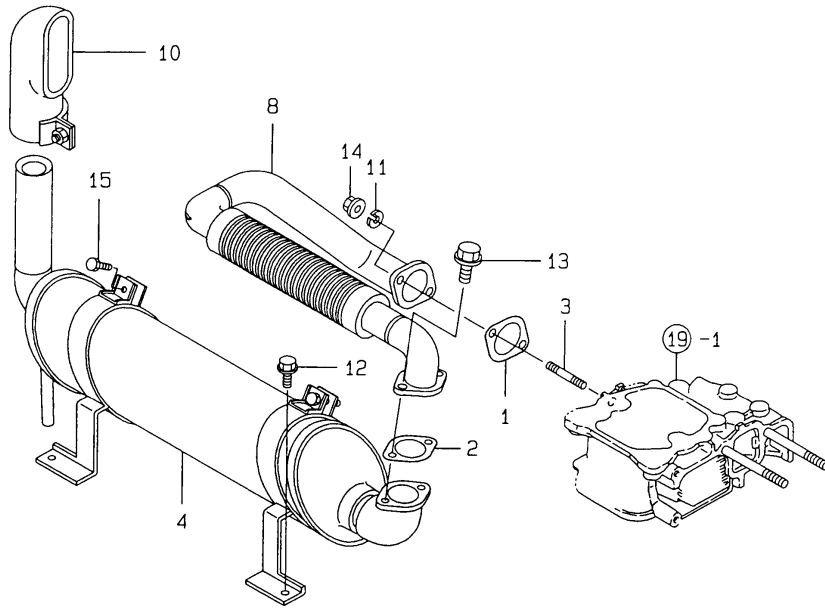
No.	Lev.	Parts No.	Description	Q'ty						I	R
				(A)	(B)	(C)	(D)	(E)	(F)		
1	1	114250-12010	PIPE, AIR INTAKE		1						
2	1	114350-12011	PIPE, AIR INTAKE				1				
3	1	114250-12201	GASKET		1						G
4	1	114350-12202	GASKET, AIR INTAKE				1				G
5	1	114250-12211	GASKET, AIR CLEANER		1		1				G
6	1	114650-12350	GROMMET				1				
7	1	783366-12560	CLEANER ASSY, AIR		1		1				
9	2	114250-12520	COVER, AIR CLEANER		1		1				
10	2	183366-12530	CASE ASSY		1		1				
11	2	114250-12560	WASHER, SEAL M6		1		1				
12	2	114250-12580	ELEMENT		1		1				
13	2	114250-12550	NUT, WING M6		1		1				
14	1	183366-12590	HOSE, CLEANER		1		1				
15	1	26106-060252	BOLT, M6X 25 PLATED		1		2				
16	1	26226-060142	STUD, M6X 14		1		1				
17	1	26366-060002	NUT, M6		3		3				
18	1	26226-060552	STUD, M6X 55		2		2				

Remarks
(G) THESE PARTS ARE SOLD BY FIG.11,
REF.NO.35A,B.

Fig.21. MUFFLER

(A)=
(B)=EP17/2000SDB
(C)=

(D)=EP27/3100SDB
(E)=
(F)=



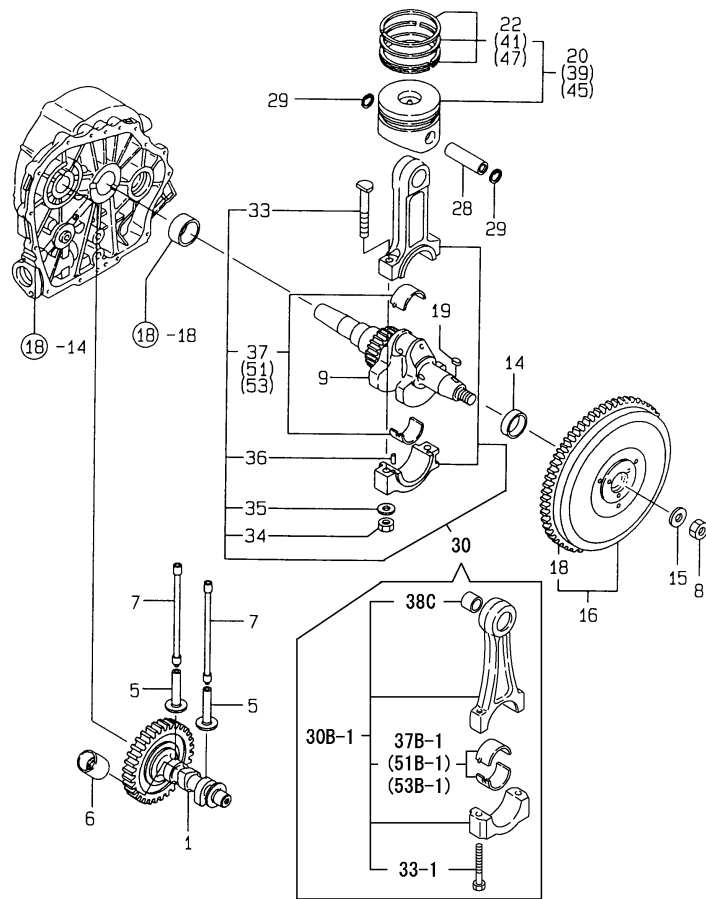
No.	Lev.	Parts No.	Description	Q'ty						I	R	
				(A)	(B)	(C)	(D)	(E)	(F)			
1	1	114250-13201	GASKET, MUFFLER		1		1					G
2	1	183671-13211	GASKET, PIPE		1		1					
3	1	26216-080182	STUD, M8X 18		2		2					
4	1	183366-13300	MUFFLER ASSY		1		1					
8A	1	183294-13601	PIPE		1							
8B	1	183394-13601	PIPE				1					
10	1	114658-13800	PIPE		1		1					
11	1	22213-080000	WASHER, SPRING 8		2		2					
12	1	26014-060142	BOLT, M6X 14		4		4					
13	1	26013-080302	BOLT, M8X 30		2		2					
14	1	26366-080002	NUT, M8		2		2					
15	1	26106-060202	BOLT, M6X 20 PLATED		2		2					

Remarks
(G) THESE PARTS ARE SOLD BY FIG.11,
REF.NO.35A,B.

Fig.22. CRANKSHAFT.PISTON & CAMSHAFT

(A)=
(B)=EP17/2000SDB
(C)=

(D)=EP27/3100SDB
(E)=
(F)=



No.	Lev.	Parts No.	Description	Q'ty						I	R
				(A)	(B)	(C)	(D)	(E)	(F)		
1A	1	714780-14580	CAMSHAFT ASSY		1						
1A-1	1	714780-14581 (B=EZZZZZ)	CAMSHAFT ASSY, D		1						R
1B	1	714880-14580	CAMSHAFT ASSY						1		
5	1	114250-14200	TAPPET		2				2		
6	1	114250-14260	TAPPET		1				1		
7A	1	114250-14450	ROD ASSY, PUSH		2						
7B	1	114350-14450	ROD ASSY, PUSH						2		
8	1	103854-01221	NUT, CYLINDER HEAD		1				1		
9A	1	783292-21700	CRANKSHAFT ASSY		1						
9B	1	783392-21700	CRANKSHAFT ASSY						1		
9B-1	1	783886-21700	CRANKSHAFT ASSY						1		F 5
				(D=*1998.11.)							
14A	1	183250-21350	SPACER, CRANKSHAFT		1						
14B	1	183350-21350	SPACER, CRANKSHAFT						1		
15	1	114250-21550	WASHER		1				1		
16A	1	183266-21590	FLYWHEEL ASSY		1						
16B	1	183366-21590	FLYWHEEL ASSY						1		
18A	2	114262-21600	GEAR, RING		1						
18B	2	114362-21600	GEAR, RING						1		
19	1	22512-040120	KEY, 4X 12		1				1		
20A	1	714280-22720	PISTON ASSY, D		1						
20B	1	714380-22720	PISTON ASSY, D						1		
22A	2	714250-22502	RING SET, PISTON		1						
22B	2	714350-22502	RING SET, PISTON						1		
28A	1	114250-22302	PIN, PISTON D=19		1						
28B	1	114350-22301	PIN, PISTON D=21						1		
29A	1	22252-000190	RING, 19		2						
29B	1	22252-000210	RING, 21						2		
30A	1	714250-23703	ROD ASSY, CONNECTING		1						
30B	1	714350-23704	ROD ASSY, CONNECTING						1		
30B-1	1	714380-23700	ROD ASSY, CONNECTING						1		F 5
				(D=*1998.11.)							
33	2	114250-23200	BOLT, CONNECTING ROD		2				2		
33-1	2	118200-23200	BOLT, CONNECTING ROD						2		S
				(D=*1998.11.)							
34	2	114250-23220	NUT		2				2		Z
				(D=*1998.11.)							
35	2	114250-23250	WASHER		2				2		Z
				(D=*1998.11.)							
36	2	22312-030080	PIN, PARALLEL M3X 8		2				2		Z
				(D=*1998.11.)							
37A	2	714250-23600	BEARING, CRANK PIN		1						
37B	2	714350-23600	BEARING, CRANK PIN						1		
37B-1	2	714380-23600	BEARING, CRANK PIN						1		S
				(D=*1998.11.)							
38C	2	114380-23100	BEARING, PISTON PIN						1		W
				(D=*1998.11.)							
39A	1	714280-22620	PISTON ASSY, 0.25 OS		1						1
39B	1	714380-22620	PISTON ASSY, 0.25 OS						1		1
41A	2	714250-22542	RING SET, 0.25 OS		1						1

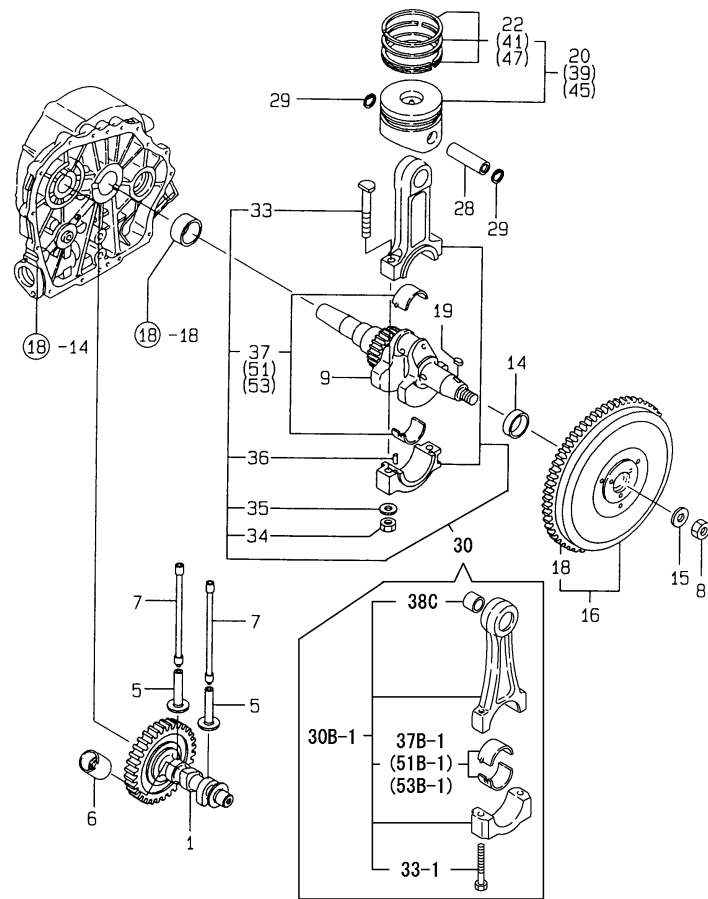
Remarks

- (1) OVER-SIZE(O.S=0.25)PART.
- (2) OVER-SIZE(O.S=0.50)PART.
- (3) UNDER-SIZE(U.S=0.25)PART.
- (4) UNDER-SIZE(U.S=0.50)PART.
- (5) REF.NO.9B-1 & 30B-1 INTERCHANGEABLE BY SET.

Fig.22. CRANKSHAFT.PISTON & CAMSHAFT

(A)=
(B)=EP17/2000SDB
(C)=

(D)=EP27/3100SDB
(E)=
(F)=



No.	Lev.	Parts No.	Description	Q'ty						I	R
				(A)	(B)	(C)	(D)	(E)	(F)		
41B	2	714350-22542	RING SET, 0.25 OS				1				1
45A	1	714280-22580	PISTON ASSY, 0.50 OS		1						2
45B	1	714380-22580	PISTON ASSY, 0.50 OS				1				2
47A	2	714250-22550	RING SET, 0.50 OS		1						2
47B	2	714350-22550	RING SET, 0.50 OS				1				2
51A	1	714250-23610	BEARING ASSY, 0.25		1						3
51B	1	714350-23610	BEARING ASSY, 0.25				1				3
51B-1	1	714380-23610	METAL ASSY, 0.25				1				S 3
			(D=*1998.11.)								
53A	1	714250-23620	BEARING, 0.50 US		1						4
53B	1	714350-23620	BEARING, 0.50 US				1				4
53B-1	1	714380-23620	BEARING, 0.50 US				1				S 4
			(D=*1998.11.)								

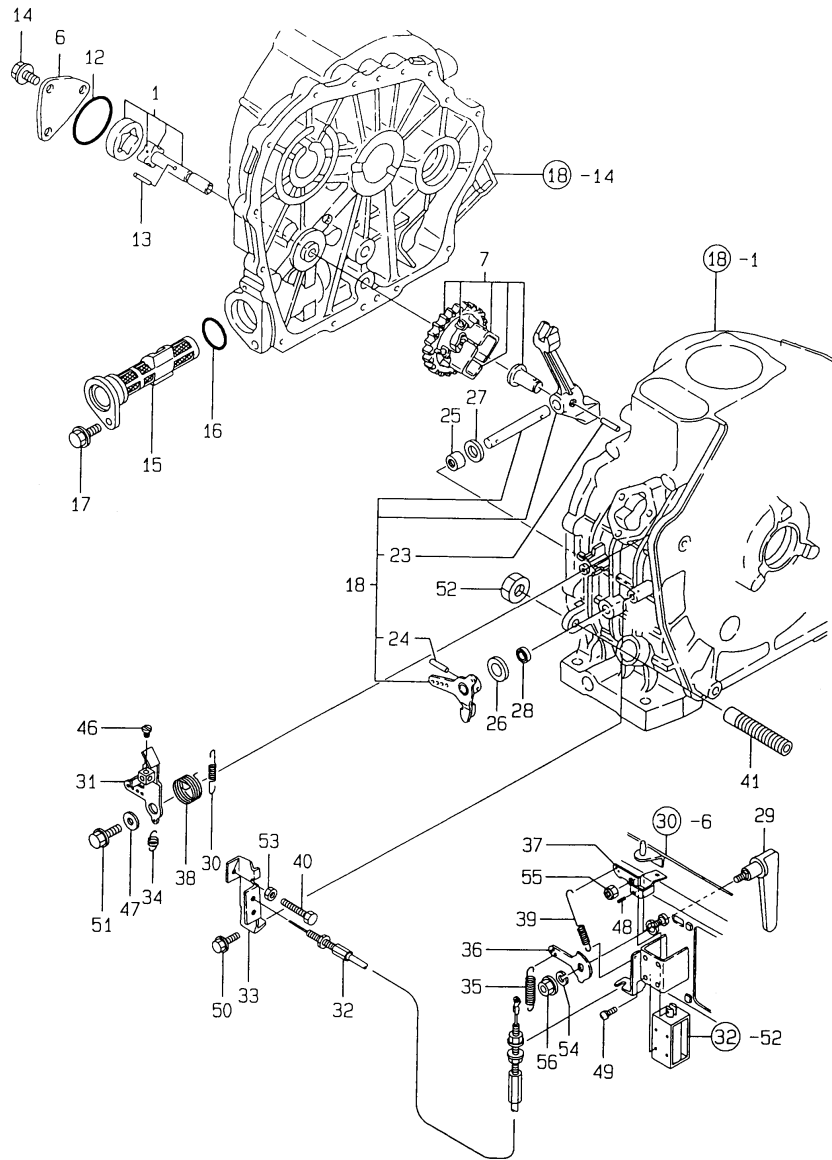
Remarks

- (1) OVER-SIZE(O.S=0.25)PART.
- (2) OVER-SIZE(O.S=0.50)PART.
- (3) UNDER-SIZE(U.S=0.25)PART.
- (4) UNDER-SIZE(U.S=0.50)PART.
- (5) REF.NO.9B-1 & 30B-1 INTERCHANGEABLE BY SET.

Fig.23. LUB.OIL PUMP & GOVERNOR

(A)=
(B)=EP17/2000SDB
(C)=

(D)=EP27/3100SDB
(E)=
(F)=



No.	Lev.	Parts No.	Description	Q'ty						I	R
				(A)	(B)	(C)	(D)	(E)	(F)		
1	1	114250-32010	PUMP ASSY, OIL		1		1				
6	1	114250-32070	COVER		1		1				
7	1	714770-61700	GOVERNOR ASSY		1		1				
12	1	103338-32570	O-RING		1		1				G
13	1	22312-030160	PIN, PARALLEL M3X16		1		1				
14	1	26476-060142	SCREW, TAPPING M6X14		3		3				
15	1	114250-35070	FILTER, OIL		1		1				
16	1	24341-000224	O-RING, 1AS22.4		1		1				G
17	1	26106-060162	BOLT, M6X 16 PLATED		1		1				
18A	1	714250-61501	LEVER ASSY, GOVERNOR		1						
18B	1	714350-61501	LEVER ASSY, GOVERNOR						1		
23	2	22322-030200	PIN, TAPER 3X20		1		1				
24	2	22322-030200	PIN, TAPER 3X20		1		1				
25	1	114270-61520	BEARING, NEEDLE 8		2		2				
26	1	114770-61610	WASHER, THRUST		1		1				
27	1	114770-61190	WASHER		1		1				
28	1	114770-61600	SEAL, OIL		1		1				
29	1	183267-66350	LEVER, LOCK		1		1				
30A	1	114770-66010	SPRING, REGULATOR		1						
30B	1	114870-66010	SPRING, REGULATOR						1		
31	1	114883-66060	HANDLE, REGULATOR		1		1				
32	1	183266-66110	WIRE		1		1				
33	1	114252-66120	BRACKET		1		1				
34	1	114250-66200	SPRING, RETURN		1		1				
35	1	183266-66210	SPRING		1		1				
36	1	183266-66230	LEVER, LOCK		1		1				
37	1	183267-66240	LEVER, LOCK		1		1				
38	1	114252-66252	SPRING, RETURN		1		1				
39	1	183250-66331	SPRING		1		1				
40	1	114250-66440	BOLT, ADJUSTING		1		1				
41A	1	114770-66550	LIMITER ASSY, FUEL		1						1
41B	1	114250-66550	LIMITER ASSY, FUEL		1		1				2
46	1	105225-66990	SCREW, M5X8.5		1		1				
47	1	183350-55130	WASHER		1		1				
48	1	22351-030012	PIN, SPRING 3.0X12		1		1				
49	1	26023-030082	SCREW, M3X 8		4		4				
50	1	26476-060142	SCREW, TAPPING M6X14		1		1				
51	1	26476-060202	SCREW, TAPPING M6X20		1		1				
52	1	26696-100002	NUT, LOCK M10		1		1				
53	1	26757-060002	NUT, LOCK M6		1		1				
54	1	22217-080000	WASHER, SPRING 8		1		1				
55	1	26347-060002	NUT, M6		1		1				
56	1	26756-080002	NUT, LOCK M8		1		1				

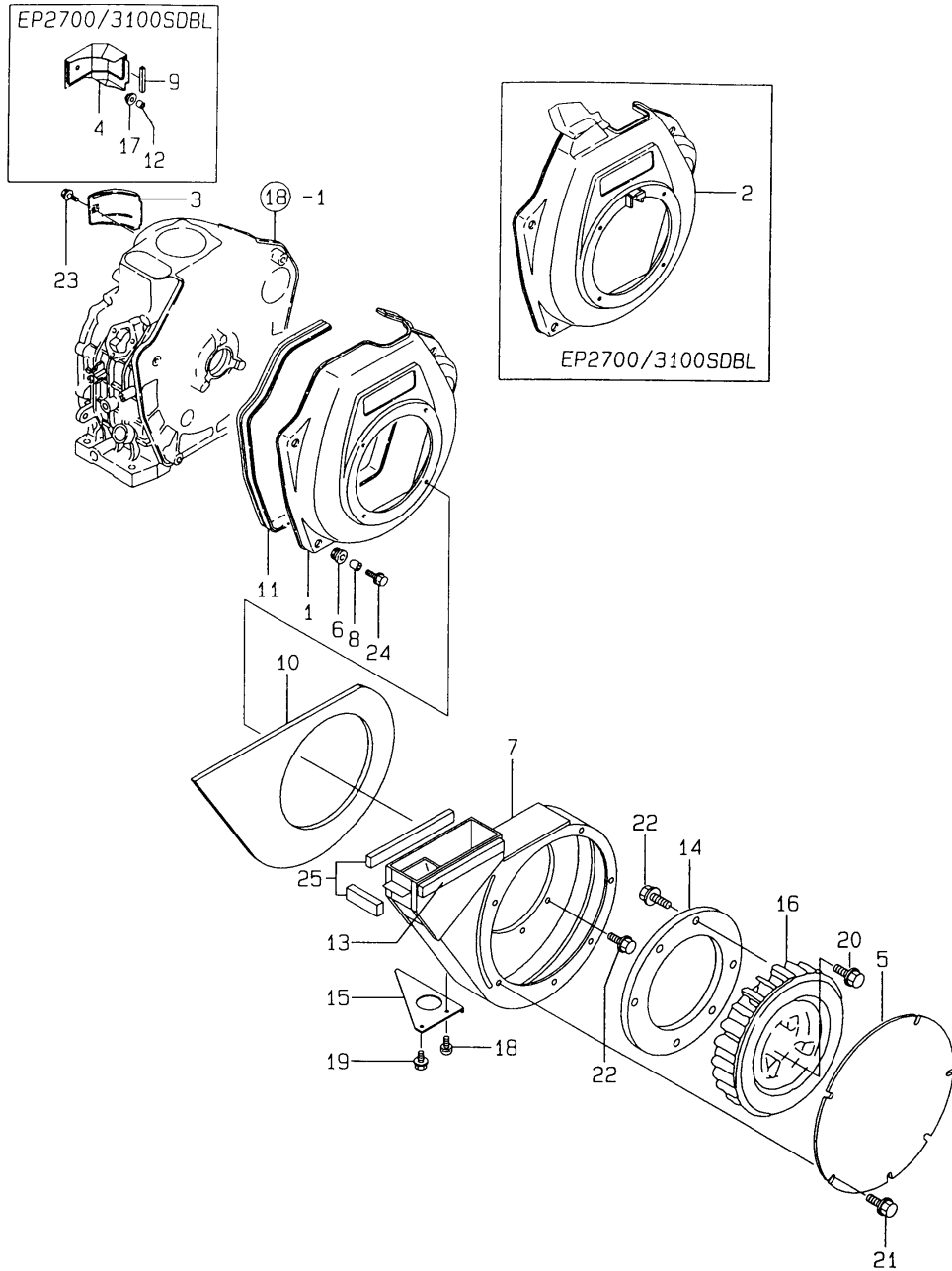
Remarks

- (1) ONLY FOR EP1700SDB.
- (2) ONLY FOR EP2000SDB.
- (G) THESE PARTS ARE SOLD BY FIG.11, REF.NO.35A,B.

Fig.24. COOLING & STARTING DEVICE

(A)=
(B)=EP17/2000SDB
(C)=

(D)=EP27/3100SDB
(E)=
(F)=

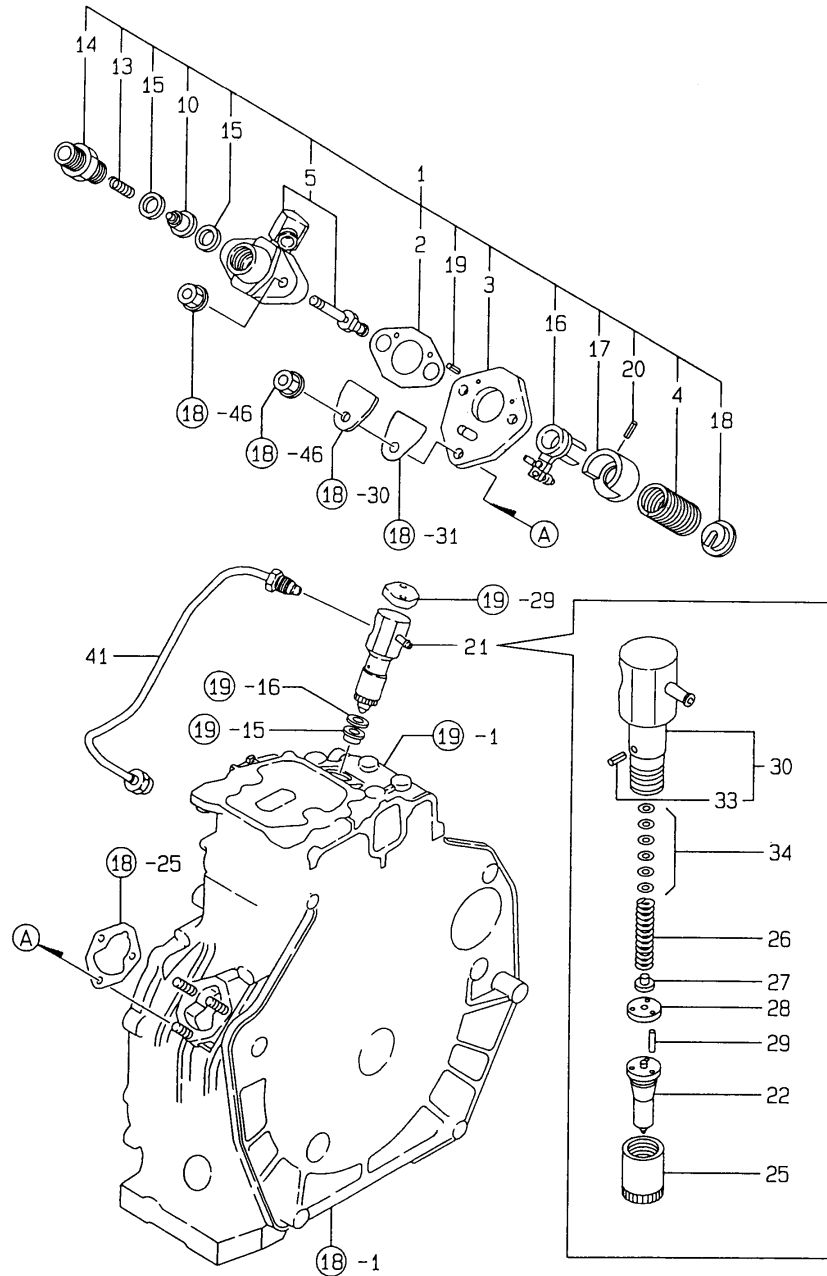


No.	Lev.	Parts No.	Description	Q'ty						I	R
				(A)	(B)	(C)	(D)	(E)	(F)		
1	1	183266-45110-2	CASE, COOLING FAN		1						
2	1	183366-45111-1	CASE, COOLING FAN				1				
3	1	114250-45211	COVER		1						
4	1	114870-45201	COVER				1				
5	1	183366-45220	COVER ASSY		1		1				
6	1	114250-45300	ABSORBER		4		4				
7	1	183366-45300	SCROLL		1		1				
8	1	114250-45310	COLLAR		4		4				
9	1	114350-45320	RUBBER, SEAL				1				
10	1	183366-45320	ISOLATOR		1		1				
11	1	114250-45330	SEAL, FAN CASE L=875		1		1				
12	1	114350-45340	COLLAR				1				
13	1	183266-45360	SPONGE		1						
14	1	183366-45410	COVER, FAN		1		1				
15A	1	183266-45460	STAY, SCROLL		1						
15B	1	183366-45460	STAY, SCROLL				1				
16	1	183366-45600	FAN, COOLING		1		1				
17	1	183720-55210	GROMMET				1				
18	1	26557-060142	SCREW M 6X 14		1		1				
19	1	26106-060142	BOLT, M6X 14 PLATED		1		1				
20	1	26014-080302	BOLT, M8X 30		3		3				
21	1	26106-060082	BOLT, M6X 8 PLATED		7		7				
22	1	26106-060122	BOLT, M6X 12 PLATED		14		14				
23A	1	26476-060142	SCREW, TAPPING M6X14		1						
23B	1	26476-060202	SCREW, TAPPING M6X20				1				
24	1	114370-45350	BOLT		4		4				
25	1	183294-95300	SPONGE ASSY		1		1				

Fig.25. FUEL INJECTION PUMP

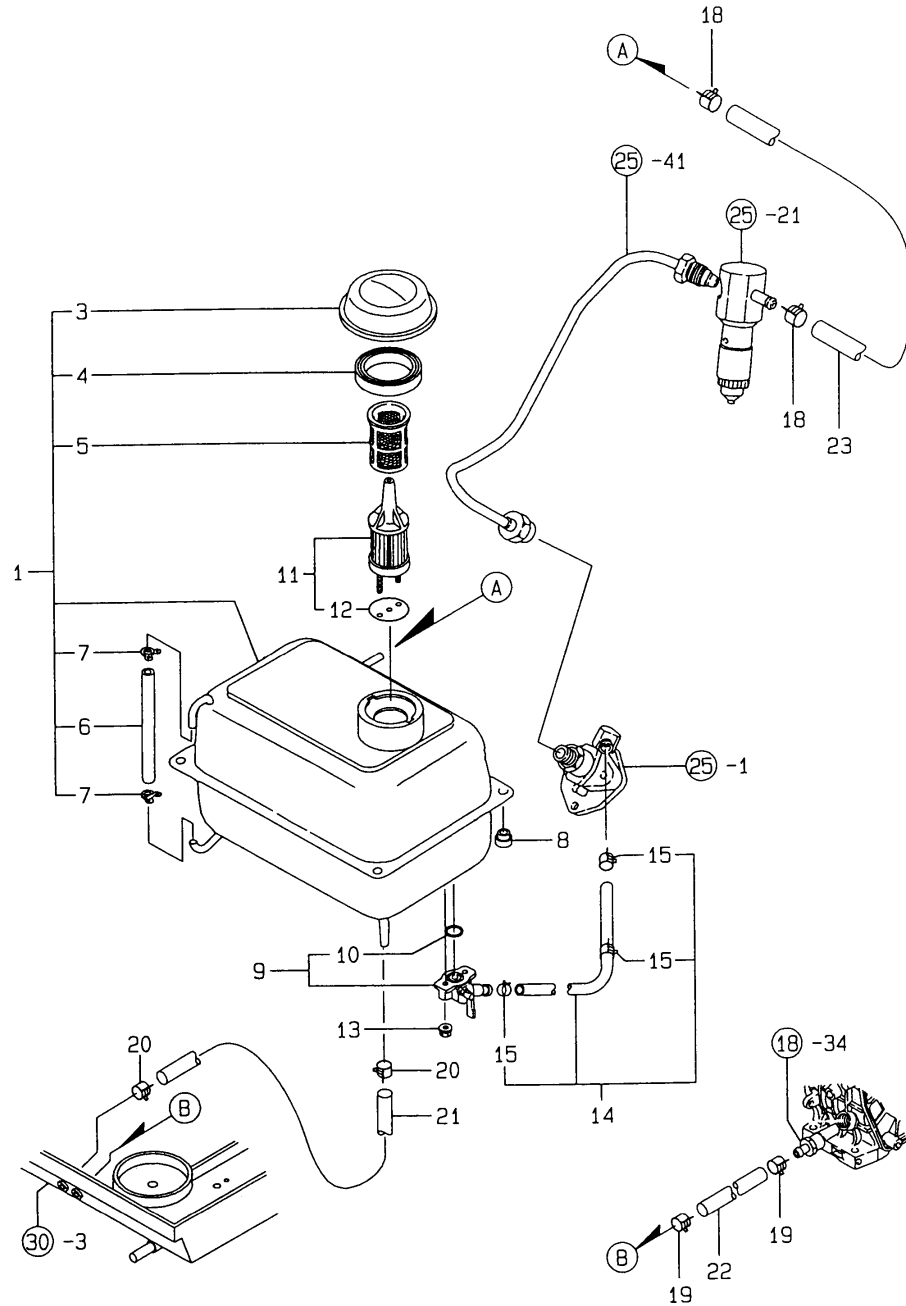
(A)=
(B)=EP17/2000SDB
(C)=

(D)=EP27/3100SDB
(E)=
(F)=



No.	Lev.	Parts No.	Description	Q'ty						I	R
				(A)	(B)	(C)	(D)	(E)	(F)		
1A	1	783250-51701	PUMP ASSY, INJECTION		1						
1B	1	783350-51701	PUMP ASSY, INJECTION						1		
2	2	105546-51020	GASKET		1				1		
3	2	114250-51080	PLATE		1				1		
4	2	114250-51160	SPRING, PLUNGER		1				1		
5A	2	183250-51200	BODY ASSY, PUMP		1						
5B	2	183350-51200	BODY ASSY, PUMP							1	
10	2	114250-51300	VALVE ASSY, DELIVERY		1				1		
13	2	105546-51330	SPRING, DELIVERY		1				1		
14	2	114250-51340	HOLDER, DELIVERY		1				1		
15	2	124550-51350	GASKET, DELIVERY		2				2		
16	2	114250-51600	LEVER ASSY, CONTROL		1				1		
17	2	114250-51640	SEAT, SPRING A		1				1		
18	2	114250-51650	SEAT, SPRING B		1				1		
19	2	22351-020006	PIN, SPRING 2.0X 6		2				2		
20	2	22351-030008	PIN, SPRING 3.0X 8		1				1		
21A	1	714250-53101	VALVE ASSY,INJECTION		1						
21B	1	714870-53100	VALVE ASSY,INJECTION							1	
22A	2	114250-53001	VALVE ASSY,INJECTION		1						
22B	2	114870-53000	VALVE ASSY,INJECTION							1	
25	2	114250-53080	NUT, NOZZLE D16.95		1				1		
26	2	114250-53120	SPRING, NOZZLE		1				1		
27	2	114250-53130	SEAT, SPRING		1				1		
28	2	114250-53140	PLATE		1				1		
29	2	114250-53210	PIN		2				2		
30	2	114250-53300	HOLDER ASSY, NOZZLE		1				1		
33	3	114250-53331	PIN		1				1		
34	2	114250-53400	SHIM SET		1				1		
41A	1	114250-59800	PIPE ASSY, INJECTION		1						
41B	1	114350-59800	PIPE ASSY, INJECTION							1	

Fig.26. FUEL TANK & FUEL LINE

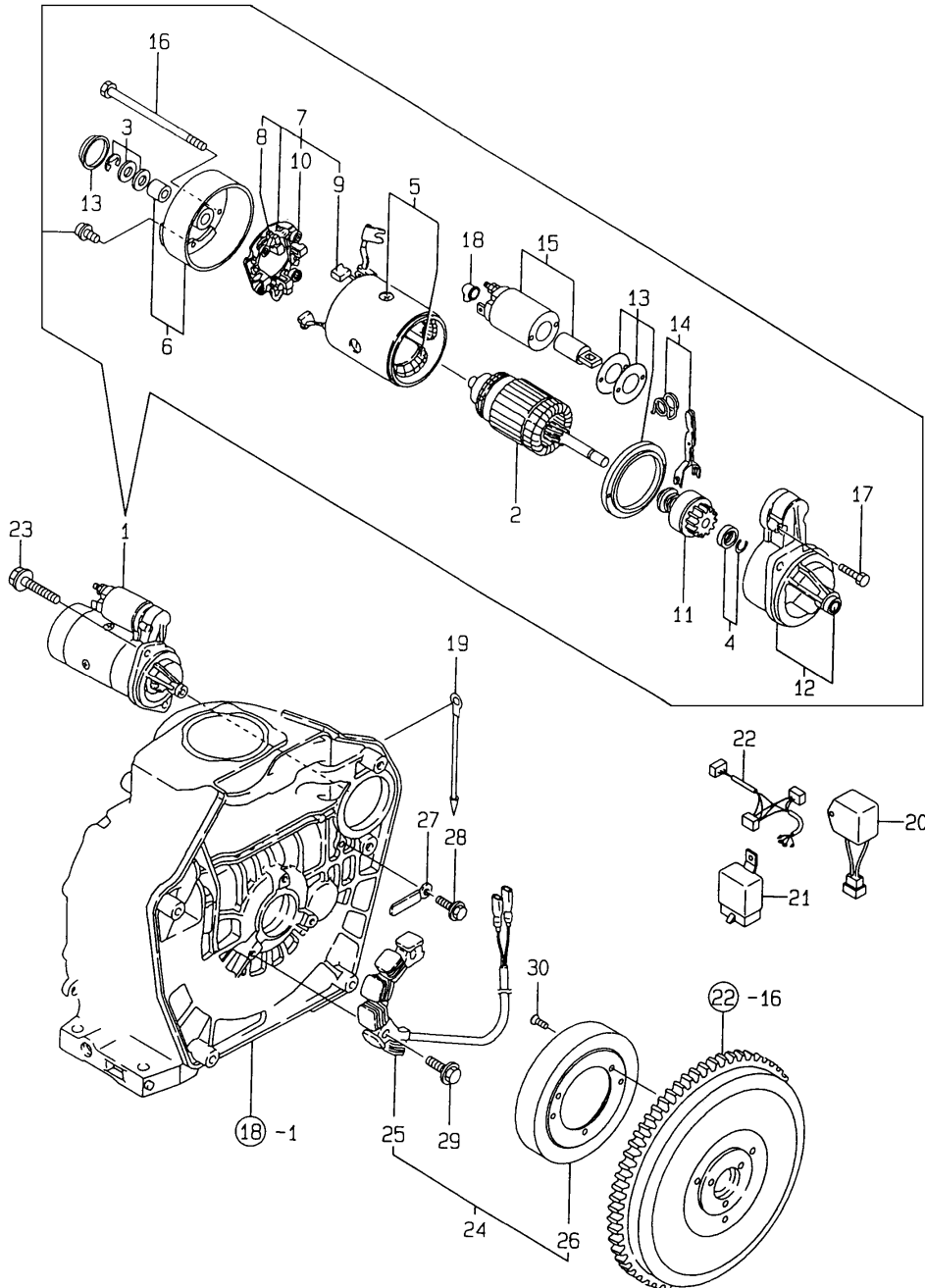


(A)=
(B)=EP17/2000SDB
(C)=

(D)=EP27/3100SDB
(E)=
(F)=

No.	Lev.	Parts No.	Description	Q'ty						I	R
				(A)	(B)	(C)	(D)	(E)	(F)		
1	1	783366-55700-1	TANK ASSY, FUEL		1		1				
3	2	105015-55040	CAP, FUEL TANK		1		1				
4	2	101504-55051	GASKET		1		1				
5	2	160710-55100	FILTER, FUEL		1		1				
6	2	183366-55150	GAUGE, LEVEL		1		1				
7	2	103854-55220	RETAINER		2		2				
8	1	183720-55210	GROMMET		4		4				
9	1	183250-55320	COCK ASSY, FUEL		1		1				
10	2	24341-000150	O-RING, 1AS15.0		1		1				
11	1	114250-55121	FILTER ASSY, FUEL		1		1				
12	2	114250-55130	GASKET		1		1				
13	2	26366-060002	NUT, M6		2		2				
14	1	183366-59010	PIPE ASSY, FUEL		1		1				
15	2	106990-44660	CLIP, HOSE 12.5		3		3				
18	1	124722-59050	CLIP, HOSE 9		2		2				
19	1	171008-03990	CLIP, HOSE 18.5		2		2				
20	1	106990-44660	CLIP, HOSE 12.5		2		2				
21	1	183366-59330	PIPE, FUEL RETURN		1		1				
22A	1	183366-59341	PIPE		1						
22B	1	183366-59351	PIPE, FUEL RETURN				1				
23	1	183671-59060	PIPE, FUEL RETURN		1		1				

Fig.27. STARTING MOTOR & DYNAMO



(A)=
(B)=EP17/2000SDB
(C)=

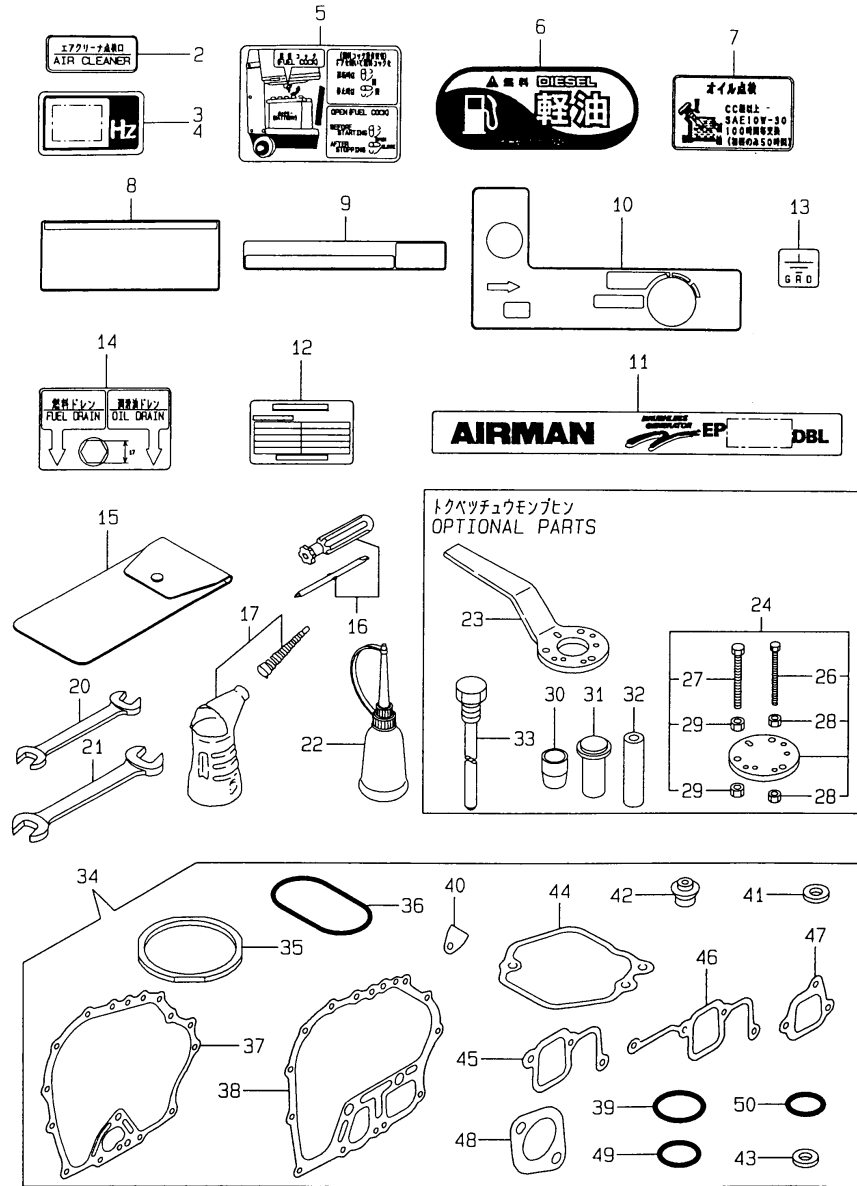
(D)=EP27/3100SDB
(E)=
(F)=

No.	Lev.	Parts No.	Description	Qty						I	R
				(A)	(B)	(C)	(D)	(E)	(F)		
1	1	114362-77011	STARTER		1		1				
2	2	114381-77110	ARMATURE		1		1				
3	2	X2114811000	WASHER KIT, THRUST		1		1				
4	2	X2114715500	STOPPER SET		1		1				
5	2	114381-77130	COIL ASSY, FIELD		1		1				
6	2	114381-77140	COVER		1		1				
7	2	114371-77160	HOLDER ASSY, BRUSH		1		1				
8	3	114371-79040	BRUSH		2		2				
9	3	114371-79050	BRUSH		1		1				
10	3	114371-79060	SPRING		4		4				
11	2	X211445508	PINION ASSY		1		1				
12	2	114381-77150	HOUSING ASSY, GEAR		1		1				
13	2	114371-77170	COVER ASSY, DUST		1		1				
14	2	X2114560130	LEVER KIT, SHIFT		1		1				
15	2	X2114275010	SWITCH ASSY		1		1				
16	2	X2114680050	BOLT, THROUGH		2		2				
17	2	114371-79070	BOLT		2		2				
18	2	X2114274200	COVER		1		1				
19	1	183350-77400	WIRE, LEAD		1		1				
20	1	183256-78300	REGULATOR		1		1				
21	1	183256-78310	RELAY		1		1				
22	1	183267-91390	HARNES, WIRE		1		1				
23	1	26106-100302	BOLT, M10X 30 PLATED		2		2				
24	1	114351-78251	DYNAMO ASSY		1		1				
25	2	114351-78751	STATOR ASSY		1		1				
26	2	114351-78761	WHEEL, DYNAMO		1		1				
27	1	160710-78710	CLAMP, CORD		1		1				
28	1	26476-060142	SCREW, TAPPING M6X14		1		1				
29	1	26476-060202	SCREW, TAPPING M6X20		3		3				
30	1	26577-060142	SCREW M 6X 14		3		3				

Fig.28. TOOLS,LABEL & GASKET SET

(A)=
(B)=EP17/2000SDB
(C)=

(D)=EP27/3100SDB
(E)=
(F)=



No.	Lev.	Parts No.	Description	Q'ty						I	R
				(A)	(B)	(C)	(D)	(E)	(F)		
2	1	183366-07280	LABEL, AIR CLEANER	1	1						
3	1	183610-07230	LABEL, 50HZ	1	1						1
4	1	183620-07230	LABEL, 60HZ	1	1						2
5	1	183366-07251	LABEL, F.O. COCK	1	1						
6	1	170903-07420	LABEL	1	1						
7	1	183284-07790	LABEL, OIL	1	1						
8	1	183292-07210	LABEL, OPERATION	1	1						
9	1	183250-07450	LABEL	1	1						
10	1	183267-07230	LABEL	1	1						
11A	1	183294-07750	LABEL	2							1
11B	1	183298-07750	LABEL	2							2
11C	1	183394-07750	LABEL				2				1
11D	1	183398-07750	LABEL				2				2
12A	1	183252-07870	LABEL, GENERATOR	1							1
12B	1	183262-07870	LABEL, GENERATOR	1							2
12C	1	183352-07870	LABEL, GENERATOR					1			1
12D	1	183362-07870	LABEL, GENERATOR					1			2
13	1	183210-07390	LABEL, G.R.D.	1	1						
14	1	183366-07240	LABEL, DAIN	1	1						
15	1	114250-92600	BAG, TOOL	1	1						
16	1	160330-92730	DRIVE, SCREW	1	1						
17	1	7E4133-99290	JUG ASSY, OIL	1	1						
20	1	28110-100120	SPANNER, 10X12	1	1						
21	1	28110-140170	SPANNER, 14X17	1	1						
22	1	28210-000150	OILER	1	1						
23	1	114250-92101	HANDLE	1	1						3
24	1	114250-92130	TOOL, WHEEL REMOVER	1	1						3
26	2	26116-060454	BOLT M 6X 45 PLATED	4	4						3
27	2	26116-080454	BOLT, M8X 45 PLATED	3	3						3
28	2	26716-060002	NUT, M6	8	8						3
29	2	26716-080002	NUT, M8	6	6						3
30A	1	114250-92301	GUIDE	1							3
30B	1	114361-92300	GUIDE, OIL SEAL				1				3
31A	1	114250-92311	INSTALLING TOOL	1							3
31B	1	114350-92311	INSTALLING TOOL	1	1						3
32A	1	114250-92350	INSTALLING TOOL	1							3
32B	1	114350-92350	INSTALLING TOOL				1				3
33A	1	183262-92350	TOOL, ROTOR REMOVER	1							3
33B	1	183362-92350	TOOL, ROTOR REMOVER				1				3
34A	1	714250-92602	GASKET SET	1							3
34B	1	714350-92602	GASKET SET				1				3
35A	2	114250-01340	GASKET, HEAD	1							
35B	2	114350-01340	GASKET, HEAD					1			
36A	2	114250-01380	O-RING	1							
36B	2	114350-01380	O-RING				1				
37	2	114250-01412	GASKET, CRANK CASE	1							
38	2	114350-01412	GASKET, CRANK CASE					1			
39	2	24311-000180	O-RING, 1AP18.0	2	2						
40	2	114250-01841	GASKET	1	1						
41	2	22190-160002	WASHER, SEAL 16	2	2						
42A	2	114250-11340	SEAL, VALVE STEM	2							

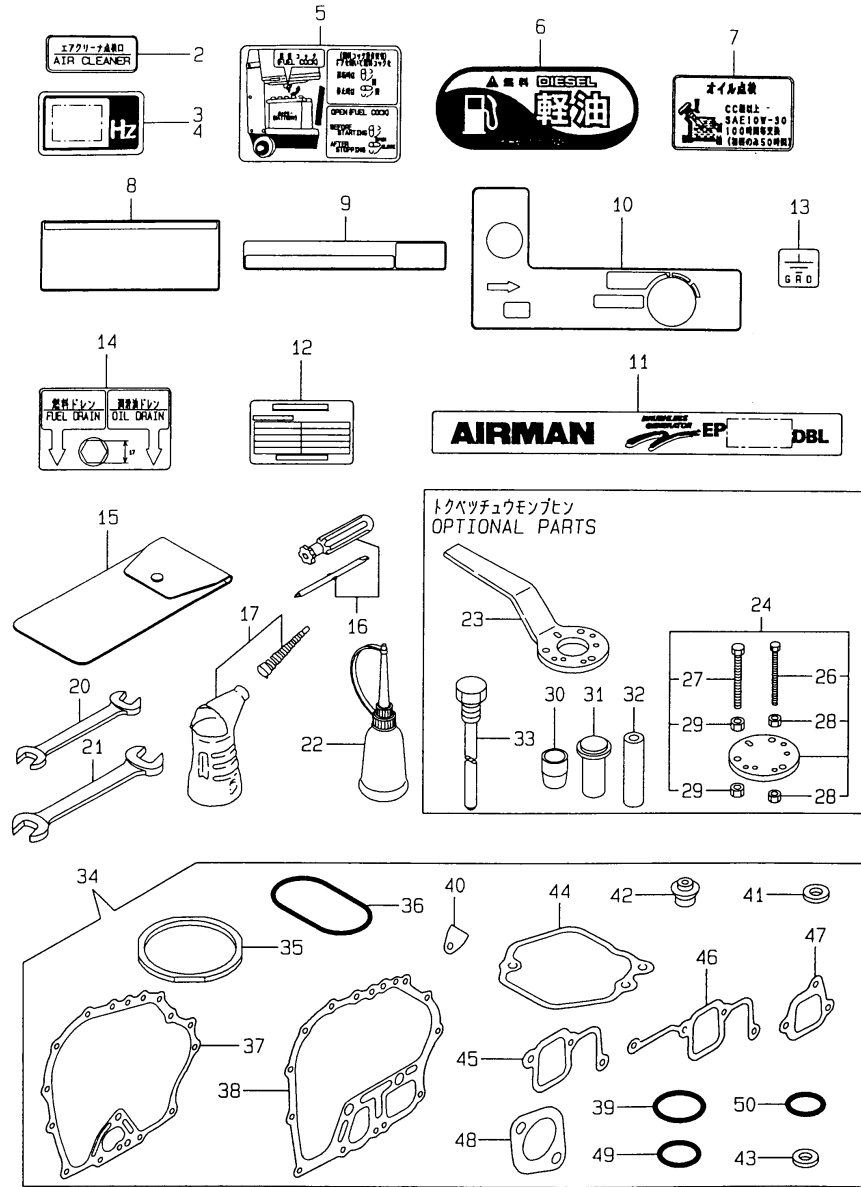
Remarks

- (1) ONLY FOR EP1700/2700SDB.
- (2) ONLY FOR EP2000/3100SDB.
- (3) OPTIONAL PART.

Fig.28. TOOLS,LABEL & GASKET SET

(A)=
(B)=EP17/2000SDB
(C)=

(D)=EP27/3100SDB
(E)=
(F)=



No.	Lev.	Parts No.	Description	Qty						I	R	
				(A)	(B)	(C)	(D)	(E)	(F)			
42B	2	114350-11340	SEAL, VALVE STEM				2					
43	2	114250-11460	GASKET, NOZZLE			1		1				
44	2	114250-11311	GASKET, BONNET			1		1				
45	2	114250-12201	GASKET			1						
46	2	114350-12202	GASKET, AIR INTAKE						1			
47	2	114250-12211	GASKET, AIR CLEANER			1		1				
48	2	114250-13201	GASKET, MUFFLER			1		1				
49	2	103338-32570	O-RING			1		1				
50	2	24341-000224	O-RING, 1AS22.4			1		1				

Remarks
 (1) ONLY FOR EP1700/2700SDB.
 (2) ONLY FOR EP2000/3100SDB.
 (3) OPTIONAL PART.

Fig.29. SAFETY LABEL

(A)=
(B)=EP17/2000SDB
(C)=

(D)=EP27/3100SDB
(E)=
(F)=

1

注意

- 使用前に取扱説明書をよく読んで安全にお使いください。
- 給油は規定レベル以下にしてください。
- 雨中使用禁止：雨中での運転は感電するおそれがあります。
- 傾斜地で運転すると、作業機が移動して事故を起こすおそれがあります。
- 水平な場所で運転してください。
- 運転時は必ず、容易に移動しないような車輪止めをしてください。
- 機械を運転する場合、壁より1m以上離してお使いください。
機械に他のカバーなどがぶせて運転すると事故の原因となりますのでしないでください。
- 軟弱地や雑草地での運転時、機体下部の冷却風吸込口が塞がれない様、車輪の下にコンパネ又は鉄板等を敷いてください
- 点検整備時エンジンを停止してください

083632-07600

2

危険 **注意**

排ガスに注意

- 室内及び、換気の悪い場所での運転は排ガスが充満し人体に有害です
- 屋外運転の場合でも排気口を人家に向けないで下さい

高温注意

運転中、マフラーやエンジン本体をさわると、やけどの恐れがあります

083894-07710

2-1

危険 **注意**

排ガスに注意

- 排ガスにより死に至るおそれがあります。
- 屋外での使用してください。
- 屋外運転の場合でも排気口を人家に向けないで下さい。

高温注意

運転中、マフラーやエンジン本体をさわると、やけどの恐れがあります

083894-07710

3

注意

火気厳禁

- 給油口に火を近づけると火災になるおそれがあります
- 給油中はエンジンを停止してください
- 燃料をこぼしたらふきとってください
- 排気口付近に燃えやすい物を近づけないでください

083614-07720

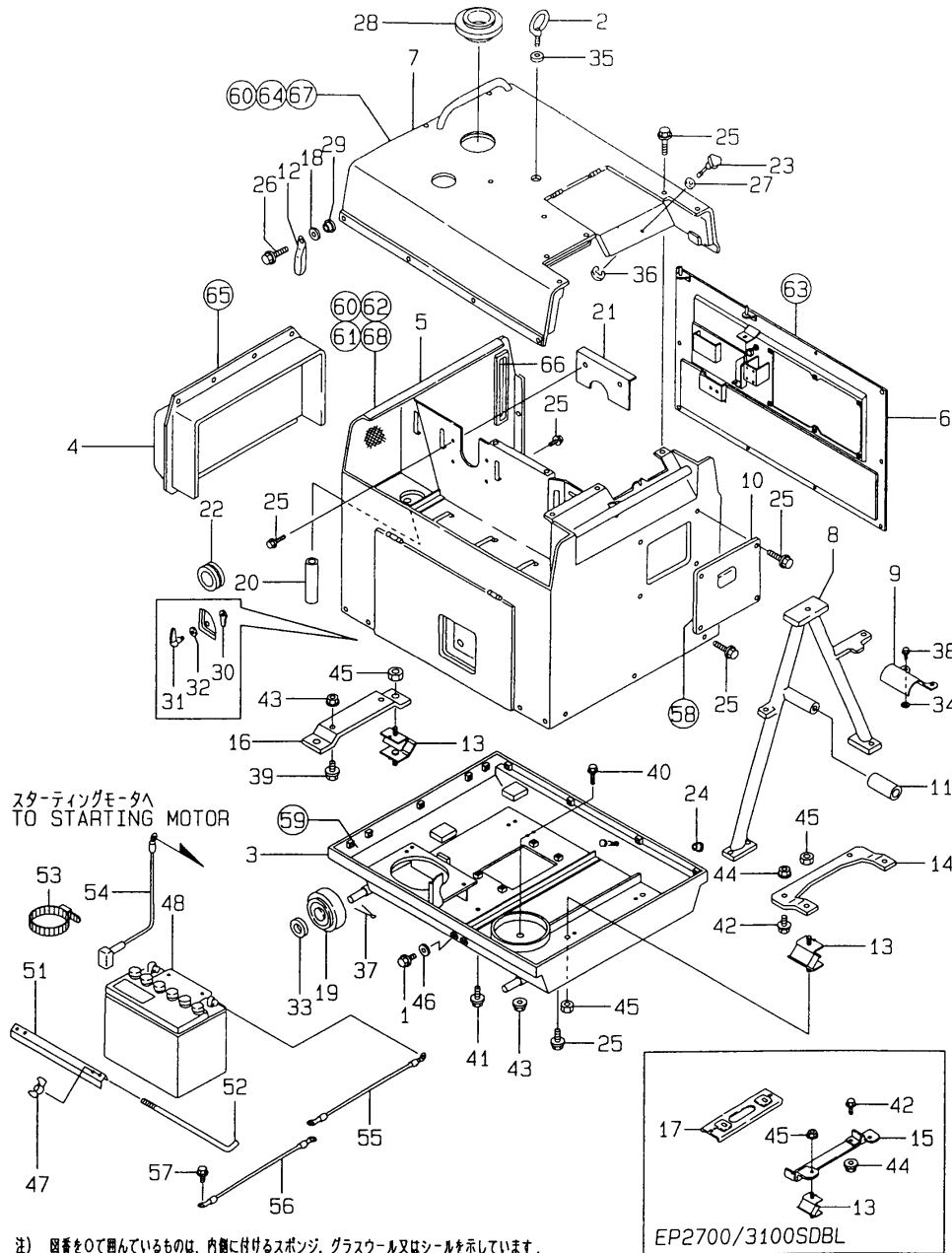
No.	Lev.	Parts No.	Description	Q'ty						I	R	
				(A)	(B)	(C)	(D)	(E)	(F)			
1	1	183632-07600	LABEL, CAUTION		1		1					
2	1	183894-07710	LABEL, EXH. GAS CAUTN		1		1					
2-1	1	183894-07711	LABEL, CAUTION		1		1					N
			(B=EZZZZZ) (D=EZZZZZ)									
3	1	183614-07720	LABEL, NO FIRE		1		1					

※貼付位置は取扱説明書を参照ください。

Fig.30. SOUND PROOF CASE

(A)=
(B)=EP17/2000SDB
(C)=

(D)=EP27/3100SDB
(E)=
(F)=



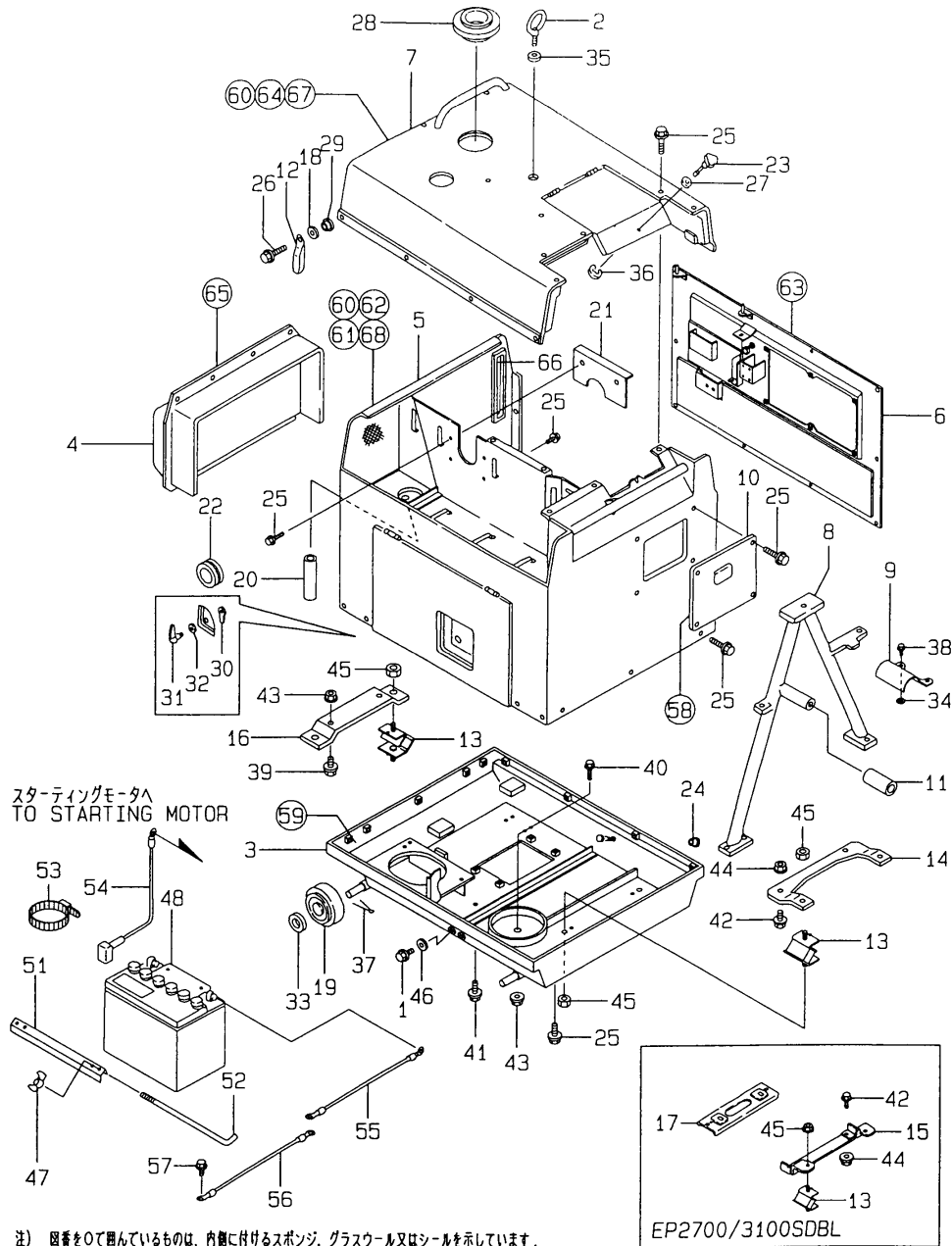
注) 図番を〇で囲んでいるものは、内側に付けるスポンジ、グラスウール又はシールを示しています。
Note) The encircled drawing numbers indicate the parts lined with rubber sponge, glass wool or some kinds of seal.

No.	Lev.	Parts No.	Description	Q'ty						I	R
				(A)	(B)	(C)	(D)	(E)	(F)		
1	1	105425-01690	PLUG, 16		2		2				
2	1	105990-07920	BOLT, EYE M14		1		1				
3	1	183366-08051-1	CASE		1		1				
4	1	183366-08080-4	COVER		1		1				
5	1	183366-08091-4	CASE		1		1				
6	1	183267-08100-1	CASE		1		1				
7	1	183366-08111-4	CASE		1		1				
8	1	183294-08120	FRAME, LIFTING		1		1				
9A	1	183266-08150	STOPPER		1						
9B	1	183366-08150	STOPPER						1		
10	1	183366-08170-4	COVER		1		1				
11	1	183366-08180	RUBBER		1		1				
12	1	183366-08190-1	STOPPER		1		1				
13	1	183250-08220	DAMPER		4		4				
14	1	183266-08240	STAY, DAMPER		1						
15	1	183392-08230	STAY, DAMPER						1		
16	1	183267-08240	STAY, DAMPER		1						
17	1	183392-08250	STAY, DAMPER						1		
18	1	183366-08290	WASHER		1		1				
19	1	183266-08360	WHEEL, 100		4		4				
20	1	183366-08400	PIPE, WATER DRAIN		1		1				
21	1	183366-08461	FLANGE		1						
22	1	183366-08470	COVER, MUFFLER		1		1				
23	1	183101-08550	BOLT		1		1				
24	1	183210-08810	NUT		1		1				
25	1	183366-08900	BOLT, M6X14		52		52				
26	1	183267-08910	BOLT, M6X25		1		1				
27	1	183350-55130	WASHER		1		1				
28	1	183366-55210	GROMMET		1		1				
29	1	160810-55480	PIECE		1		1				
30	1	194312-61810	CAM, BONNET LOCK		1		1				
31	1	194555-61820	LEVER, BONNET LOCK		1		1				
32	1	194312-61840	WASHER, BWW-626		1		1				
33	1	22117-120000	WASHER, 12		4		4				
34	1	22137-080000	WASHER, 8		2		2				
35	1	22137-140000	WASHER, 14		1		1				
36	1	22272-000050	RING, E- 5		4		1				
37	1	22417-320250	PIN, COTTER 3.2X25		4		4				
38	1	26106-080202	BOLT, M8X 20 PLATED		2		2				
39	1	26106-080252	BOLT, M8X 25 PLATED		2						
40A	1	26106-080602	BOLT, M8X 60 PLATED		1						
40B	1	26106-080452	BOLT, M8X 45 PLATED							1	
41	1	26106-100162	BOLT, M10X 16 PLATED		2		2				
42	1	26106-100382	BOLT, M10X 38 PLATED		2		3				
43	1	26366-080002	NUT, M8		4		4				
44	1	26366-100002	NUT, M10		2		2				
45	1	26696-100002	NUT, LOCK M10		8		8				
46	1	22190-160002	WASHER, SEAL 16		2		2				
47	1	101147-12550	NUT		2		2				
48	1	183350-79510	BATTERY ASSY, 26A19L		1		1				
51	1	183350-79630-1	RETAINER, BATTERY		1		1				

Fig.30. SOUND PROOF CASE

(A)=
(B)=EP17/2000SDB
(C)=

(D)=EP27/3100SDB
(E)=
(F)=



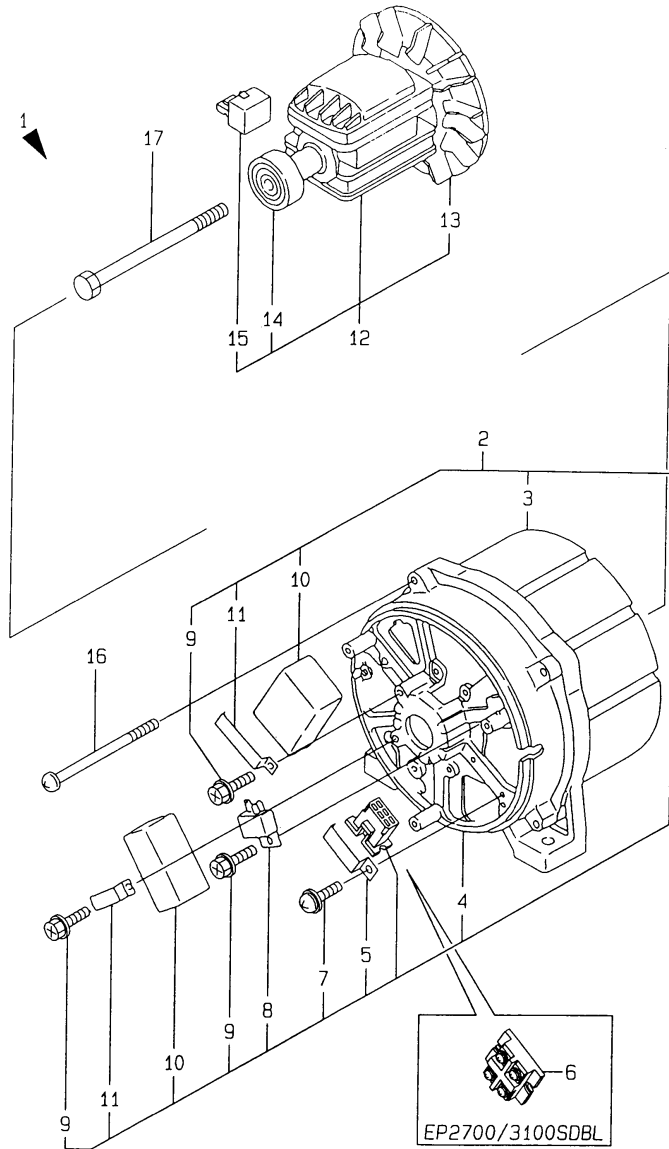
注) 図番を○で囲んでいるものは、内側に付けるスポンジ、グラスウール又はシールを示しています。
 Note) The encircled drawing numbers indicate the parts lined with rubber sponge, glass wool or some kinds of seal.

No.	Lev.	Parts No.	Description	Q'ty						I	R
				(A)	(B)	(C)	(D)	(E)	(F)		
52	1	183920-79650	BOLT, BATTERY		2		2				
53	1	121750-59890	BAND, 140		2		2				
54	1	183251-79560	CABLE, +		1		1				
55	1	183920-79560	CABLE, -		1		1				
56	1	183251-79570	CABLE (-)		1		1				
57	1	26106-060122	BOLT, M6X 12 PLATED		2		2				
58	1	183366-95240	SPONGE		1		1				
59	1	183366-95300	SPONGE		1		1				
60	1	183294-95350	SEAT ASSY		1		1				
61	1	183294-95400	CAP ASSY		1		1				
62	1	183366-95500	SPONGE ASSY		1		1				
63	1	183366-95520	SPONGE ASSY		1		1				
64	1	183366-95530	SPONGE ASSY		1		1				
65	1	183366-95550	SPONGE ASSY		1		1				
66	1	183366-95950	SEAT		1		1				
67	1	183366-95680	WOOL, GLASS		1		1				
68	1	183366-95852	WOOL ASSY, GLASS		1		1				

Fig.31. GENERATOR

(A)=
(B)=EP17/2000SDB
(C)=

(D)=EP27/3100SDB
(E)=
(F)=



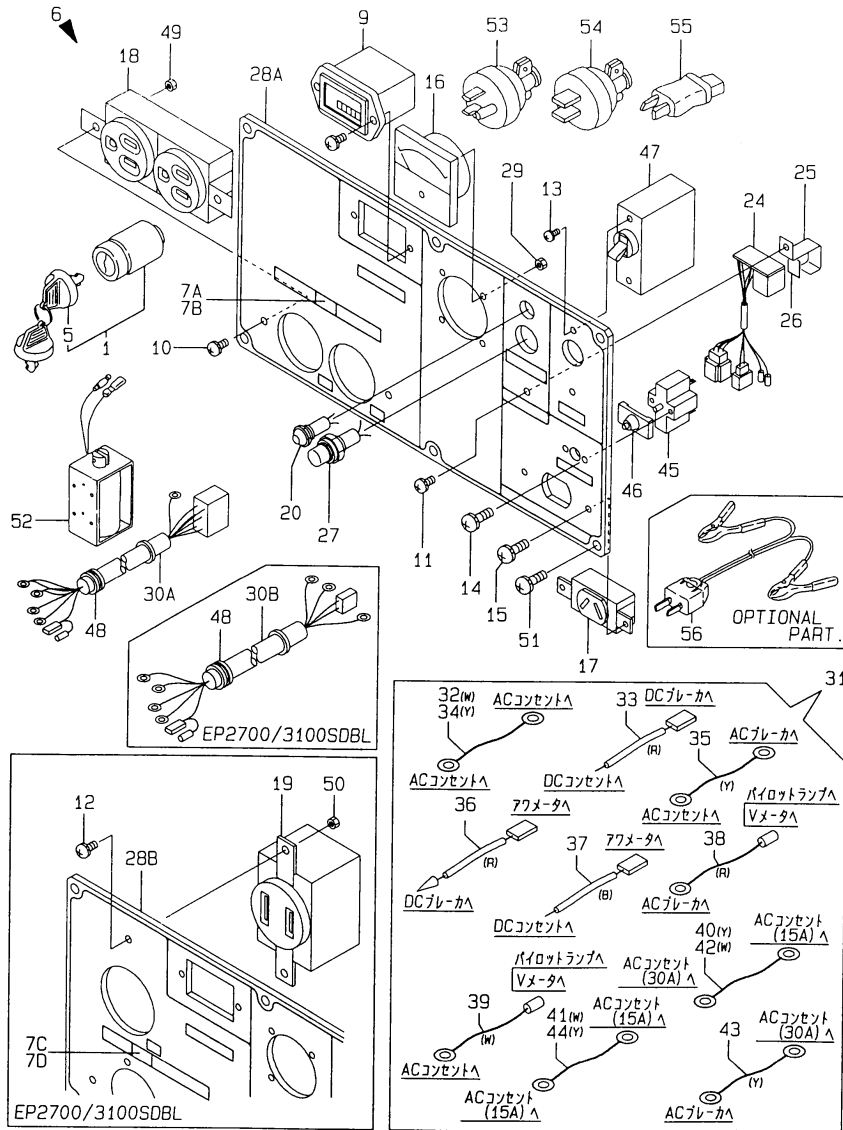
No.	Lev.	Parts No.	Description	Q'ty						I	R
				(A)	(B)	(C)	(D)	(E)	(F)		
1A	1	183284-74050	GENERATOR, 2.0KVA 50		1						1
1B	1	183288-74050	GENERATOR, 2.0KVA 60		1						2
1C	1	183384-74050	GENERATOR, 3.0KVA				1				3
1D	1	183388-74050	GENERATOR, 3.0KVA						1		4
2A	2	183730-74200	STATOR ASSY		1						1
2B	2	183740-74200	STATOR ASSY		1						2
2C	2	183830-74200	STATOR						1		3
2D	2	183840-74200	STATOR ASSY						1		4
3A	3	183730-74290	STATOR		1						1
3B	3	183740-74290	STATOR		1						2
3C	3	183830-74290	STATOR						1		3
3D	3	183840-74290	STATOR						1		4
4	3	183740-74250	COVER, REAR		1				1		
5	3	183740-74310	CLAMP		1						
6	3	183620-74270	TERMINAL						1		
7	3	183350-74380	SCREW, M4X14		1				1		
8	3	183210-74470	RECTIFIER		1				1		
9	3	183620-74310	SCREW		3				3		
10	3	183740-74170	CONDENSER		2				2		
11	3	183740-74180	CLAMP		2				2		
12A	2	183741-74351	ROTOR ASSY		1						
12B	2	183840-74351	ROTOR ASSY						1		
13	3	183740-74360	FAN		1				1		
14	3	183740-74370	BEARING		1				1		
15	3	183294-74080	RECTIFIER, ROTOR		2				2		
16A	1	183262-74410	BOLT, THROUGH M6X90		4						
16B	1	183362-74410	BOLT, THROUGH M6X110							4	
17A	1	26116-081902	BOLT, M8X190 PLATED		1						
17B	1	183382-74430	BOLT, M10X188						1		

Remarks

- (1) ONLY FOR EP1700SDB.
- (2) ONLY FOR EP2000SDB.
- (3) ONLY FOR EP2700SDB.
- (4) ONLY FOR EP3100SDB.

Fig.32. PANEL

(A)= (D)=EP27/3100SDB
 (B)=EP17/2000SDB (E)=
 (C)= (F)=



No.	Lev.	Parts No.	Description	Q'ty						I	R
				(A)	(B)	(C)	(D)	(E)	(F)		
1	1	160797-77250	SWITCH ASSY, KEY	1			1				
5	2	160797-77270	KEY, REVERSE	1			1				
6A	1	183294-91050	PANEL ASSY	1							1
6B	1	183298-91050	PANEL ASSY		1						2
6C	1	183394-91050	PANEL ASSY						1		3
6D	1	183894-91050	PANEL ASSY						1		4
7A	2	183284-07410	LABEL, AMPERE		1						1
7B	2	183284-07400	LABEL, AMPERE		1						2
7C	2	183394-07400	LABEL, AMPERE						1		3
7D	2	183384-07400	LABEL, AMPERE						1		4
9	2	183367-91070	METER, HOUR		1		1				
10	2	183976-91080	SCREW, M4X10		2		2				
11	2	183976-91080	SCREW, M4X10		1		1				
12	2	183976-91080	SCREW, M4X10						2		
13	2	183976-91090	SCREW, M3X5		2		2				
14	2	183294-91090	SCREW, M3X12		2		2				
15	2	183976-91090	SCREW, M3X5		2		2				
16	2	183730-91210	REGULATOR, VOLTAGE		1		1				
17	2	183825-91250	CONSENT		1		1				
18	2	183920-91320	SOCKET, 125VX2		1		1				
19	2	183830-91320	SOCKET, 30A						1		
20	2	183794-91510	LAMP ASSY, PILOT		1		1				
24	2	183294-91600	RELAY ASSY		1		1				
25	2	183284-91680	HOLDER		1		1				
26	2	183284-91690	CUSHION		1		1				
27	2	183131-91701	LAMP, ALARM		1		1				
28A	2	183294-91900	BOARD, PANEL		1						
28B	2	183394-91900	BOARD, PANEL							1	
29	2	183925-91990	NUT, LOCK		2		2				
30A	2	183294-95500	HARNESS, WIRE		1						
30B	2	183394-95500	HARNESS, WIRE							1	
31A	2	183294-95810	HARNESS ASSY, WIRE		1						
31B	2	183394-95810	HARNESS ASSY, WIRE							1	
32	3	183284-95620	HARNESS, WIRE		1						
33	3	183294-95670	HARNESS, WIRE		1		1				
34	3	183284-95680	HARNESS, WIRE		1						
35	3	183294-95820	HARNESS, WIRE		1						
36	3	183294-95850	HARNESS, WIRE		1		1				
37	3	183294-95860	HARNESS, WIRE		1		1				
38	3	183294-95830	HARNESS, WIRE		1		1				
39	3	183294-95900	HARNESS, WIRE		1		1				
40	3	183888-95270	HARNESS, WIRE							1	
41	3	183284-95820	HARNESS, WIRE							1	
42	3	183384-95820	HARNESS, WIRE							1	
43	3	183294-95870	HARNESS, WIRE							1	
44	3	183384-95890	HARNESS, WIRE							1	
45	2	183284-96310	BREAKER, DC		1		1				
46	2	183284-96320	CAP, BREAKER		1		1				
47A	2	183000-96400	BREAKER, AC 17.5A		1						1
47B	2	183000-96540	BREAKER, AC 20A		1						2
47C	2	183000-96560	BREAKER, AC 27A						1		3

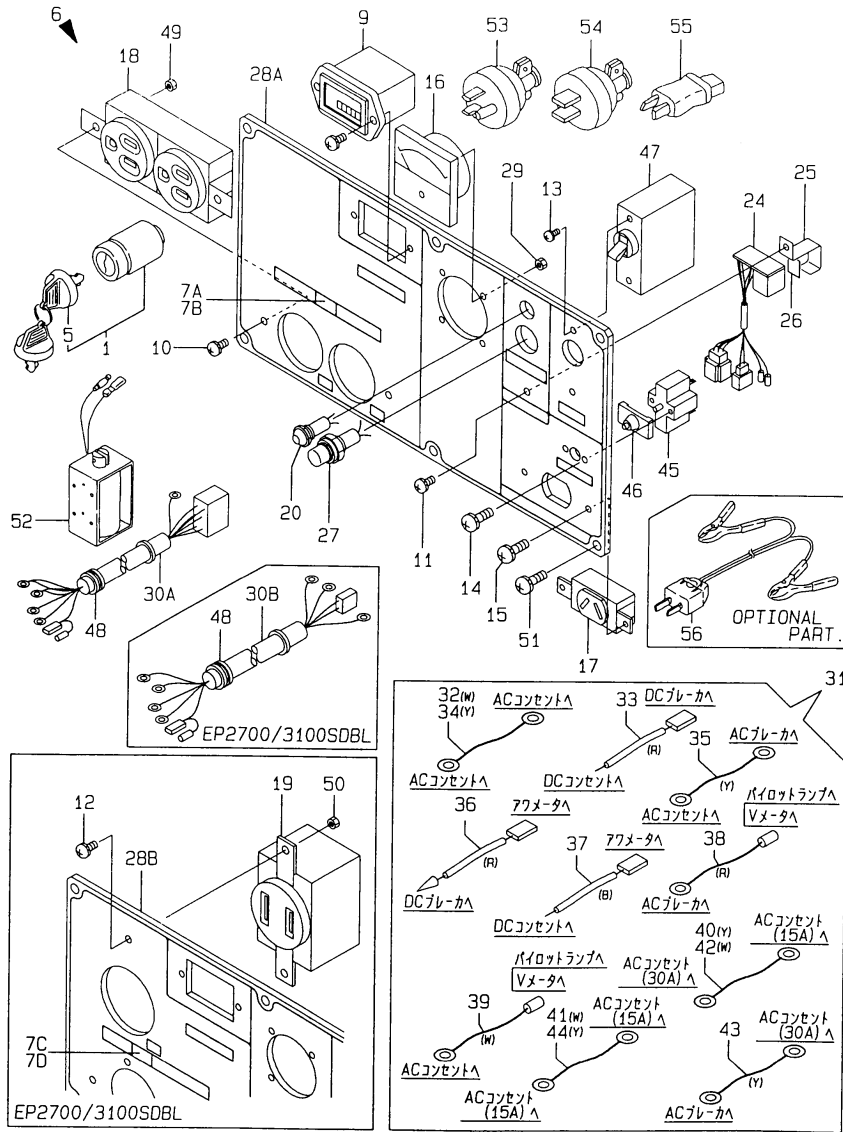
Remarks

- (1) ONLY FOR EP1700SDB.
- (2) ONLY FOR EP2000SDB.
- (3) ONLY FOR EP2700SDB.
- (4) ONLY FOR EP3100SDB.
- (5) OPTIONAL PART.

Fig.32. PANEL

(A)=
(B)=EP17/2000SDB
(C)=

(D)=EP27/3100SDB
(E)=
(F)=



No.	Lev.	Parts No.	Description	Q'ty						I	R
				(A)	(B)	(C)	(D)	(E)	(F)		
47D	2	183000-96520	BREAKER, AC 30A				1				4
48	2	183625-98040	GROMMET		1		1				
49	2	26757-040002	NUT, LOCK M4		2		2				
50	2	26757-040002	NUT, LOCK M4				2				
51	1	183896-91090	SCREW, M5X10		6		6				
52	1	183250-91690	DC.SOLENOID(12V.10W)		1		1				
53	1	183720-91750	PLUG, 125VX15A		2		2				
54	1	183392-91750	PLUG, 30A-250V				1				
55	1	183720-91790	PLUG, DC12V		1		1				
56	1	183210-91880	CABLE, CHARGING		1		1				5

Remarks

- (1) ONLY FOR EP1700SDB.
- (2) ONLY FOR EP2000SDB.
- (3) ONLY FOR EP2700SDB.
- (4) ONLY FOR EP3100SDB.
- (5) OPTIONAL PART.

Parts No. Index

Parts No.	Fig. No.	Ref. No.
101147-12550	30	47
101158-11180	2	8 B
	19	8 B
101504-55051	26	4
103338-32570	6	12
	11	35
	23	12
	28	49
103854-01221	5	8
	22	8
103854-55220	26	7
104200-55080	9	7
105010-11490	2	27 B
		28 B
	19	27 B
		28 B
105015-55040	26	3
105225-01240	1	8 B
	18	8 B
105225-66990	23	46
105425-01690	1	21
	18	21
	30	1
105546-51020	8	2
	25	2
105546-51330	8	14
	25	13
105990-07920	30	2
106990-44660	9	28
	26	15
		20
114250-01200	1	5 A
	18	5 A
114250-01210	1	6 A
	18	6 A
114250-01220	1	7 A
	18	7 A
114250-01250	1	9 A
	18	9 A
114250-01340	1	10 A
	11	21 A
	18	10 A
	28	35 A
114250-01380	1	11 A
	11	22 A
	18	11 A
	28	36 A
114250-01412	1	12
	11	23
	18	12

Parts No.	Fig. No.	Ref. No.
114250-01412	28	37
114250-01800	1	25
	18	25
114250-01830	1	30
	18	30
114250-01841	1	31
	11	26
	18	31
	28	40
114250-02030	1	48
	18	49
114250-02100	1	18
	18	18
114250-02113	1	49 A
	18	50 A
114250-02200	1	53
	18	54
114250-02210	1	55
	18	56
114250-03591	19	37
114250-03640	2	42
	19	40
114250-11020	2	1 A
	19	1 A
114250-11101	2	5 A
	19	5 A
114250-11113	2	6 A
	19	6 A
114250-11120	2	7 A
	19	7 A
114250-11180	2	8 A
	19	8 A
114250-11240	2	20
		25
	19	20
		25
114250-11290	2	11
	19	11
114250-11311	2	38
	11	30
	19	34
	28	44
114250-11340	2	14 A
	11	28 A
	19	14 A
	28	42 A
114250-11460	2	15
	11	29
	19	15
	28	43

Parts No.	Fig. No.	Ref. No.
114250-11600	2	17
	19	17
114250-11651	2	18
	19	18
114250-11900	2	29
	19	29
114250-11951	19	35
114250-12010	3	1
	20	1
114250-12201	3	3
	11	31
	20	3
	28	45
114250-12211	3	5
	11	33
	20	5
	28	47
114250-12520	3	8
	20	9
114250-12530	3	9
114250-12550	3	12
	20	13
114250-12560	3	10
	20	11
114250-12580	3	11
	20	12
114250-13201	4	1
	11	34
	21	1
	28	48
114250-14200	5	5
	22	5
114250-14260	5	6
	22	6
114250-14450	5	7 A
	22	7 A
114250-21550	5	16
	22	15
114250-22302	5	29 A
	22	28 A
114250-23200	5	34
	22	33
114250-23220	5	35
	22	34
114250-23250	5	36
	22	35
114250-32010	6	1
	23	1
114250-32070	6	6
	23	6

Parts No.	Fig. No.	Ref. No.
114250-35070	6	15
	23	15
114250-35150	1	35
	18	36
114250-45211	7	2
	24	3
114250-45300	7	4
	24	6
114250-45310	7	5
	24	8
114250-45330	7	7
	24	11
114250-51080	8	3
	25	3
114250-51150	8	4
114250-51160	8	5
	25	4
114250-51300	8	11
	25	10
114250-51340	8	15
	25	14
114250-51600	8	17
	25	16
114250-51640	8	18
	25	17
114250-51650	8	19
	25	18
114250-53001	8	23 A
	25	22 A
114250-53080	8	26
	25	25
114250-53120	8	27
	25	26
114250-53130	8	28
	25	27
114250-53140	8	29
	25	28
114250-53210	8	30
	25	29
114250-53300	8	31
	25	30
114250-53331	8	34
	25	33
114250-53400	8	35
	25	34
114250-55121	26	11
114250-55130	26	12
114250-59800	25	41 A
114250-66200	6	30
	23	34

Parts No. Index

Parts No.	Fig. No.	Ref. No.
114250-66440	23	40
114250-66550	6	40 B
	23	41 B
114250-76590	7	30 A
114250-92101	11	37
	28	23
114250-92130	11	38
	28	24
114250-92301	11	44 A
	28	30 A
114250-92311	11	45 A
	28	31 A
114250-92350	11	46 A
	28	32 A
114250-92600	11	15
	28	15
114252-13950	4	7
114252-66120	23	33
114252-66252	23	38
114260-01454	1	14
114260-76050	7	13 A
114260-76250	7	14 A
114260-76520	7	15 A
114262-21600	22	18 A
114270-01600	1	40
	18	41
114270-61520	6	25
	23	25
114350-01200	1	5 B
	18	5 B
114350-01210	1	6 B
	18	6 B
114350-01220	1	7 B
	18	7 B
114350-01250	1	9 B
	18	9 B
114350-01340	18	10 B
	28	35 B
114350-01380	1	11 B
	11	22 B
	18	11 B
	28	36 B
114350-01412	1	13
	11	24
	18	13
	28	38
114350-01700	1	3
	18	3
114350-02100	1	19
	18	19

Parts No.	Fig. No.	Ref. No.
114350-02113	1	49 B
	18	50 B
114350-02200	1	54
	18	55
114350-02210	1	56
	18	57
114350-11101	2	5 B
	19	5 B
114350-11113	2	6 B
	19	6 B
114350-11120	2	7 B
	19	7 B
114350-11340	2	14 B
	11	28 B
	19	14 B
	28	42 B
114350-11470	2	16
	19	16
114350-12011	3	2
	20	2
114350-12202	3	4
	11	32
	20	4
	28	46
114350-14450	5	7 B
	22	7 B
114350-22301	5	29 B
	22	28 B
114350-45320	7	6
	24	9
114350-45340	7	8
	24	12
114350-59800	25	41 B
114350-76590	7	30 B
114350-92311	11	45 B
	28	31 B
114350-92350	11	46 B
	28	32 B
114351-78251	10	23
	27	24
114351-78751	10	24
	27	25
114351-78761	10	25
	27	26
114360-45101-4	7	1 B
114361-92300	11	44 B
	28	30 B
114362-21600	5	19
	22	18 B
114362-77011	10	1

Parts No.	Fig. No.	Ref. No.
114362-77011	27	1
114370-45350	7	12
	24	24
114371-77160	10	7
	27	7
114371-77170	10	13
	27	13
114371-77180	10	14
114371-79040	10	8
	27	8
114371-79050	10	9
	27	9
114371-79060	10	10
	27	10
114371-79070	10	17
	27	17
114380-23100	5	39 C
	22	38 C
114381-77110	10	2
	27	2
114381-77130	10	5
	27	5
114381-77140	10	6
	27	6
114381-77150	27	12
114381-77151	10	12
114650-12350	20	6
114658-13800	21	10
114770-61190	6	27
	23	27
114770-61600	6	28
	23	28
114770-61610	6	26
	23	26
114770-66010	6	29 A
	23	30 A
114770-66550	6	40 A
	23	41 A
114780-21400	5	15
114780-45100-2	7	1 A
114870-01340	1	10 B
	11	21 B
114870-11021	2	1 B
	19	1 B
114870-45201	7	3
	24	4
114870-53000	8	23 B
	25	22 B
114870-66010	6	29 B
	23	30 B

Parts No.	Fig. No.	Ref. No.
114880-76050	7	13 B
114880-76250	7	14 B
114880-76510	7	15 B
114881-21590	5	17
114883-66060	23	31
118200-23200	5	34 -1
	22	33 -1
119260-11370	2	27 A
	19	27 A
	19	27 A
	19	28 A
	19	28 A
	19	28 A
121750-59890	30	53
124195-77770	10	16
124550-51350	8	16
	25	15
124722-59050	9	29
	26	18
124950-01250	1	8 A
	18	8 A
129100-61850	2	47
	19	45
160110-01870	1	32
	18	32
160110-02220	1	50
	18	51 B
	18	51
	18	52 B
160210-02220	1	51 A
	18	52 A
160260-76520	7	16 A
160260-76530	7	17 A
160260-76540	7	18 A
160260-76550	7	19
160260-76560	7	20 A
160260-76580	7	22
160260-76590	7	23 A
160260-76600	7	24
160260-76620	7	26 A
160260-76630	7	27 A
160290-76570	7	21
160330-92730	11	16
	28	16
160393-55050	9	16
160670-66350	2	48
160710-01760	1	22 A
	18	22 A
160710-55061	9	9
160710-55100	9	17
	26	5
160710-78710	10	26

Parts No. Index

Parts No.	Fig. No.	Ref. No.
160710-78710	27	27
160797-77250	32	1
160797-77270	32	5
160810-55480	30	29
160810-76520	7	16 B
160810-76540	7	18 B
160810-76580	7	23 B
160810-76620	7	26 B
160810-76630	7	27 B
160840-76530	7	17 B
160840-76560	7	20 B
160910-01740	1	22 B
	18	22 B
160970-77350	10	19
170903-07420	28	6
171008-03990	26	19
171022-39470	1	38
	18	39
181130-76680	7	28
181130-76700	7	29
183000-96400	32	47 A
183000-96520	17	8 B
	32	47 D
183000-96540	17	8 A
	32	47 B
183000-96560	32	47 C
183000-96570	17	8 C
183101-08550	30	23
183131-91701	32	27
183210-07390	28	13
183210-08810	30	24
183210-74470	31	8
183210-91880	32	56
183211-07570	12	3
183250-01451	18	14
183250-03410	2	34
183250-03450	2	35
183250-03510	2	36 A
183250-03550	2	37
183250-03601	2	41
183250-07450	28	9
183250-07480	11	14
183250-08150	13	7
183250-08160	13	9
183250-08220	30	13
183250-11951	2	39
183250-21350	5	14 A
	22	14 A
183250-39450	1	36
	18	37

Parts No.	Fig. No.	Ref. No.
183250-51200	8	6 A
	25	5 A
183250-55320	26	9
183250-59040	9	27
183250-59800	8	42 A
183250-66321	6	33
183250-66331	6	34
	23	39
183250-66341	6	35
183250-66361	6	37
183250-66410	17	32
183250-66511	6	31
183250-74460	14	10
	15	9
	16	9
183250-91690	32	52
183251-79560	30	54
183251-79570	13	26
	30	56
183252-07870	28	12 A
183254-07220	11	2 A
183254-07450	11	12
183254-08100	13	1
183254-55110	9	1 A
183254-55120	9	20
183254-59100	9	24 A
183254-74100	14	1 A
183254-92350	11	47 A
183256-78300	27	20
183256-78310	27	21
183262-07870	28	12 B
183262-74410	31	16 A
183262-92350	28	33 A
183264-07220	11	2 B
183264-74100	14	1 B
183266-08150	30	9 A
183266-08240	30	14
183266-08360	30	19
183266-21590	22	16 A
183266-45110-2	24	1
183266-45360	24	13
183266-45460	24	15 A
183266-66110	23	32
183266-66210	23	35
183266-66230	23	36
183267-07230	28	10
183267-08100-1	30	6
183267-08240	30	16
183267-08910	30	26
183267-66240	23	37

Parts No.	Fig. No.	Ref. No.
183267-66350	23	29
183267-91390	27	22
183284-07400	32	7 B
183284-07410	32	7 A
183284-07790	28	7
183284-08250	13	10
183284-13050	4	3
183284-13500	4	5
183284-13550	4	6
183284-74050	31	1 A
183284-91600	17	18
183284-91680	17	19
	32	25
183284-91690	17	20
	32	26
183284-95620	32	32
183284-95680	32	34
183284-95820	32	41
183284-96310	32	45
183284-96320	32	46
183285-66420	17	33 A
183288-74050	31	1 B
183292-07210	28	8
183294-07750	28	11 A
183294-08120	30	8
183294-13601	21	8 A
183294-74080	31	15
183294-91050	32	6 A
183294-91090	32	14
183294-91600	32	24
183294-91900	32	28 A
183294-95300	24	25
183294-95350	30	60
183294-95400	30	61
183294-95500	32	30 A
183294-95670	32	33
183294-95810	32	31 A
183294-95820	32	35
183294-95830	32	38
183294-95850	32	36
183294-95860	32	37
183294-95870	32	43
183294-95900	32	39
183298-07750	28	11 B
183298-91050	32	6 B
183350-01451	1	15
	18	15
183350-03510	2	36 B
183350-08150	13	8
183350-21350	5	14 B

Parts No.	Fig. No.	Ref. No.
183350-21350	22	14 B
183350-51200	8	6 B
	25	5 B
183350-55130	17	13
	23	47
	30	27
183350-59800	8	42 B
183350-66420	17	33
183350-74380	31	7
183350-77400	10	20
	27	19
183350-79510	13	22
	30	48
183350-79560	13	25
183350-79610-1	13	27
183350-79630-1	13	28
	30	51
183352-07870	28	12 C
183362-07870	28	12 D
183362-74410	31	16 B
183362-92350	28	33 B
183366-07240	28	14
183366-07251	28	5
183366-07280	28	2
183366-08051-1	30	3
183366-08080-4	30	4
183366-08091-4	30	5
183366-08111-4	30	7
183366-08150	30	9 B
183366-08170-4	30	10
183366-08180	30	11
183366-08190-1	30	12
183366-08290	1	33
	18	33
	30	18
183366-08351	18	34
183366-08400	30	20
183366-08461	30	21
183366-08470	30	22
183366-08900	30	25
183366-12530	20	10
183366-12590	20	14
183366-13300	21	4
183366-21590	22	16 B
183366-39460	1	37
	18	38
183366-45111-1	24	2
183366-45220	24	5
183366-45300	24	7
183366-45320	24	10

Parts No. Index

Parts No.	Fig. No.	Ref. No.
183366-45410	24	14
183366-45460	24	15 B
183366-45600	24	16
183366-55150	26	6
183366-55210	30	28
183366-59010	26	14
183366-59330	26	21
183366-59341	26	22 A
183366-59351	26	22 B
183366-95240	30	58
183366-95300	30	59
183366-95500	30	62
183366-95520	30	63
183366-95530	30	64
183366-95550	30	65
183366-95680	30	67
183366-95852	30	68
183366-95950	30	66
183367-91070	32	9
183382-74430	31	17 B
183384-07400	32	7 D
183384-08350-1	13	17
183384-74050	31	1 C
183384-95820	32	42
183384-95890	32	44
183388-74050	31	1 D
183392-08230	30	15
183392-08250	30	17
183392-91750	17	38
	32	54
183394-07400	32	7 C
183394-07750	28	11 C
183394-13601	21	8 B
183394-91050	32	6 C
183394-91900	32	28 B
183394-95500	32	30 B
183394-95810	32	31 B
183398-07750	28	11 D
183610-07230	11	10
	28	3
183614-07710	12	2
183614-07720	29	3
183614-07740	12	1
183614-07750	11	13
183620-07230	11	11
	28	4
183620-74270	31	6
183620-74310	31	9
183625-98040	32	48
183632-07600	29	1

Parts No.	Fig. No.	Ref. No.
183640-74360	14	15
183671-13211	21	2
183671-59060	26	23
183720-55210	7	9
	9	22
	24	17
	26	8
183720-91750	17	37
	32	53
183720-91790	32	55
183730-74200	31	2 A
183730-74290	31	3 A
183730-91210	17	16
	32	16
183740-74170	14	9
	15	6
	16	6
	31	10
183740-74180	15	7
	16	7
	31	11
183740-74200	31	2 B
183740-74250	15	8
	16	8
	31	4
183740-74290	31	3 B
183740-74310	31	5
183740-74360	15	14
	16	14
	31	13
183740-74370	15	15
	16	15
	31	14
183741-74351	31	12 A
183794-91510	32	20
183825-91250	32	17
183830-74200	31	2 C
183830-74290	31	3 C
183830-91320	17	21
	32	19
183840-74200	31	2 D
183840-74290	31	3 D
183840-74351	31	12 B
183854-08100	13	2
183854-13510	4	4
183854-55110	9	1 B
183854-59100	9	24 B
183854-92350	11	47 B
183855-07220	11	2 C
183855-79100	13	19

Parts No.	Fig. No.	Ref. No.
183865-07220	11	2 D
183888-95270	32	40
183894-07710	29	2
183894-07711	29	2 -1
183894-91050	32	6 D
183896-91090	32	51
183920-79560	30	55
183920-79650	30	52
183920-91280	17	26
183920-91320	17	17
	32	18
183920-91450	17	24
183925-91990	17	28
	32	29
183972-91690	17	34
183976-91080	17	14
	29	29
	32	10
		11
		12
183976-91090	17	15
	32	13
		15
194312-61810	30	30
194312-61840	30	32
194555-61820	30	31
22117-100000	1	39
	18	40
22117-120000	30	33
22137-080000	30	34
22137-140000	30	35
22190-120002	9	8
22190-160002	1	47
	11	27
	18	48
	28	41
	30	46
22213-080000	21	11
22217-080000	23	54
22252-000190	5	30 A
	22	29 A
22252-000210	5	30 B
	22	29 B
22272-000050	30	36
22312-030080	5	37
	22	36
22312-030160	2	44
	6	13
	19	42
	23	13

Parts No.	Fig. No.	Ref. No.
22322-030200	6	23
		24
	23	23
		24
22351-020006	8	20
	25	19
22351-030008	8	21
	25	20
22351-030012	23	48
22351-040008	2	30
	19	30
22417-320250	30	37
22512-040120	5	20
	22	19
24162-152112	1	52
	18	53
24311-000180	1	24
	11	25
	18	24
	28	39
24341-000150	26	10
24341-000224	6	16
	11	36
	23	16
	28	50
24341-000450	9	21
26013-080302	21	13
26014-060142	21	12
26014-080302	24	20
26022-040082	15	10
	16	10
	17	35
26023-030082	17	36
	23	49
26023-040082	14	11
26023-040162	14	19
	15	19
	16	19
26023-040202	15	11
	16	11
26106-060082	7	31
	24	21
26106-060122	7	32
	10	21
	13	18
	24	22
	30	57
26106-060142	24	19
26106-060162	4	9
	6	17

Parts No. Index

Parts No.	Fig. No.	Ref. No.
26106-060162	6	39
	23	17
26106-060202	2	49
	6	46
	21	15
26106-060252	1	41
	3	13
	18	42
	20	15
26106-060552	2	50
	19	46
26106-080122	1	34
	18	35
26106-080162	4	8
	13	11
26106-080182	14	20
26106-080202	30	38
26106-080252	13	12
	30	39
26106-080352	1	42
	13	14
	18	43
26106-080452	2	31
	19	31
	30	40 B
26106-080602	30	40 A
26106-100122	1	4
	18	4
26106-100162	30	41
26106-100302	10	22
	27	23
26106-100382	30	42
26116-060454	11	40
	28	26
26116-080454	11	41
	28	27
26116-081902	31	17 A
26216-080182	4	2
	21	3
26226-060142	3	14
	20	16
26226-060182	1	43
	18	44
26226-060222	1	44
	18	45
26226-060502	2	32
	19	32
26226-060552	3	16
	20	18
26347-060002	23	55

Parts No.	Fig. No.	Ref. No.
26366-050002	13	29
26366-060002	1	45
	2	33
		51
	3	15
	9	23
	18	46
	19	33
	20	17
	26	13
26366-080002	4	10
	13	16
	21	14
	30	43
26366-100002	30	44
26476-060142	2	52
	6	14
		45
	7	10
	10	27
	23	14
		50
	24	23 A
	27	28
26476-060202	7	11
	10	28
	23	51
	24	23 B
	27	29
26557-040082	1	46
	18	47
26557-060142	24	18
26577-060142	10	29
	27	30
26696-100002	6	47
	23	52
	30	45
26716-060002	11	42
	28	28
26716-080002	11	43
	28	29
26756-060002	2	21
		26
		53
	19	21
		26
26756-080002	23	56
26757-040002	17	27
		30
		49

Parts No.	Fig. No.	Ref. No.
26757-040002	32	50
26757-060002	23	53
27310-060001	2	9 B
	19	9 B
28110-100120	11	17
	28	20
28110-140170	11	18
	28	21
28210-000150	11	19
	28	22
714250-11570	2	9 A
	19	9 A
714250-12560	3	6
714250-22502	5	23 A
	22	22 A
714250-22542	5	42 A
	22	41 A
714250-22550	5	48 A
	22	47 A
714250-23600	5	38 A
	22	37 A
714250-23610	5	52 A
	22	51 A
714250-23620	5	54 A
	22	53 A
714250-23703	5	31 A
	22	30 A
714250-53101	8	22 A
	25	21 A
714250-61501	6	18 A
	23	18 A
714250-92602	11	20 A
	28	34 A
714270-01560	1	1 A
714270-11660	2	22 A
	19	22 A
714271-01560	18	1 A
714280-22580	5	46 A
	22	45 A
714280-22620	5	40 A
	22	39 A
714280-22720	5	21 A
	22	20 A
714350-22502	22	22 B
714350-22542	22	41 B
714350-22550	22	47 B
714350-23600	5	38 B
	22	37 B
714350-23610	5	52 B
	22	51 B

Parts No.	Fig. No.	Ref. No.
714350-23620	5	54 B
	22	53 B
714350-23704	5	31 B
	22	30 B
714350-61501	6	18 B
	23	18 B
714350-92602	28	34 B
714370-11660	2	22 B
	19	22 B
714371-01560	18	1 B
714380-22580	22	45 B
714380-22620	22	39 B
714380-22720	22	20 B
714380-23600	5	38 B-1
	22	37 B-1
714380-23610	5	52 B-1
	22	51 B-1
714380-23620	5	54 B-1
	22	53 B-1
714380-23700	5	31 B-1
	22	30 B-1
714770-61700	6	7
	23	7
714780-14580	5	1 A
	22	1 A
714780-14581	5	1 A-1
	22	1 A-1
714870-22500	5	23 B
714870-22540	5	42 B
714870-22550	5	48 B
714870-53100	8	22 B
	25	21 B
714870-92601	11	20 B
714871-01560	1	1 B
714880-14580	5	1 B
	22	1 B
714880-22580	5	46 B
714880-22620	5	40 B
714880-22720	5	21 B
783250-51701	8	1 A
	25	1 A
783292-21700	5	9 A
	22	9 A
783350-51701	8	1 B
	25	1 B
783366-12560	20	7
783366-55700-1	26	1
783392-21700	5	9 B
	22	9 B
783886-21700	5	9 B-1

Parts No. Index

Parts No.	Fig. No.	Ref. No.
783886-21700	22	9 B-1
7E4133-99290	28	17
X1A02279K01	17	2
X1A02465KA0	17	3
X1A02465KB0	17	3 A
X1A02467KA0	17	3 B
X1A02467KB0	17	3 C
X1A02513KB0	13	3
X1A02524KB0	13	4
X1A03767KA0	17	3 B-1
X1A03767KB0	17	3 C-1
X2114274200	10	18
	27	18
X2114275010	10	15
	27	15
X211445508	27	11
X2114560130	27	14
X2114680050	27	16
X2114715500	10	4
	27	4
X2114811000	10	3
	27	3
X2A04444K03	14	2
X2A04759K01	15	2
	16	2
X2A04849KH0	14	13
X2A04946KA0	14	3
X2A05143KA0	17	4
X2A05168KA0	17	5
X2A05168KB0	17	5 A
X2A05174KA0	17	6
X2A05176KA0	17	7
X2A05229KA0	14	4 A
X2A05229KB0	14	4 B
X2A05230KA0	14	5 A
X2A05230KB0	14	5 B
X2A05231KA0	14	6
X2A05232KA0	14	12
X2A05267KA0	15	3
X2A05267KB0	16	3
X2A05268KA0	15	4
X2A05268KB0	16	4
X2A05276KB0	9	2
X2A05277KB0	9	3
X2A05278KA0	15	12
	16	12
X2A05279KA0	15	13
	16	13
X2A06285K06	17	8
X2A07483KA0	17	7 -1

Parts No.	Fig. No.	Ref. No.
X2A07485KA0	15	3 -1
X2A07485KB0	16	3 -1
X2A07486KA0	15	4 -1
X2A07486KB0	16	4 -1
X3A06120K00	13	20
X3A06121K04	15	16
	16	16
X3A06121K06	14	16
X3A06122K03	14	17
X3A06123K03	9	18
X3A06125K04	15	17
	16	17
X3A06146KA0	9	4
X3A06328K01	11	3 A
X3A06328K02	11	3 B
X3A06339K01	11	4
X3A06341K01	11	5
X3A06356K01	9	25 A
X3A06356K02	9	25 B
X3A06383K01	11	3 C
X3A06383K02	11	3 D
X3A06384K01	15	18
	16	18
X3A06403K02	13	13
X3A06403K03	13	15
X3A06813K01	11	6
X3A06856K01	11	7
X3A06873KA0	9	26 A
X3A06873KB0	9	26 B
X3A06913K01	11	8 A
X3A06913K02	11	8 B
X3A06914K01	11	8 C
X3A06914K02	11	8 D
X4A01031K01	17	22
X4A01823K01	14	14
X4A02757K01	17	9
X4A05719K02	13	5
		6
X4A05721K05	14	18
X4A05871K01	17	23
X4A05872K01	17	10
X4A05873K01	17	11
X4A05899K01	13	21
X4M47065000	14	7
	15	5
	16	5
X4M57215000	17	12
X4M71519000	14	8
X5M07994000	9	19

Parts No.	Fig. No.	Ref. No.
-----------	----------	----------

Parts No.	Fig. No.	Ref. No.
-----------	----------	----------