

0CD10-M56301EN

P R E F A C E

1. This parts catalog is the last edition of 4TNE88-DGD for DENYO CO.,LTD.

Pub.No. : 0CD10-G56301
Published : August, 2009

2. Model name

Engine model	Vehicle	Vehicle made by
4TNE88-DGD	GENERATOR	DENYO CO.,LTD

Directions for the Parts Catalog.

1. This Parts Catalog shows both standard and optional parts.
2. Parts may change without prior notice.
3. The following is an example of the Parts Catalog format.

REF.	LEV.	PARTS NO.	DESCRIPTION	Q'TY						I	R
				(A)	(B)	(C)	(D)	(E)	(F)		
1	1	729595-51390	FUEL INJECTION PUMP	1	1	1	1	1			1
1-1	1	729595-51391	FUEL INJECTION PUMP	1	1	1	1	1		N	1
		(A=E00185) (B=E00200)									
3	2	26022-060162	SCREW M 6X 16	9	9	9	9	9			
3-1	2	26022-060162	SCREW M 6X 16	4	4	4	4	4		K	
		(A=E00156) (B=E00156) (C=E00156) (D=E00156) (E=E00156)									
4	2	129470-51040	CAMSHAFT	1	1	1	1	1			
5	2	122710-51050	BEARING, ROLLER	2	2	2	2	2			
6	2	129470-51060	RETAINER	1	1	1	1	1			

Remarks
(1) BOOST COMPEMSATOR TYPE. OPTIONAL PART, TO E00155,(4JH-DT, 4JH-DTZ

① Ref. No.

The Ref. No. listed may not be in accordance with the illustration Ref. No.

(Ex.) Illustration No.

List Ref No.

1

1

(Before change)

1-1

(After change)

For interchangeable symbols N, R and K, illustrations for new parts may be abbreviated.

② Lev. (Level)

Level indication

The numbers below indicate the level of relativity towards the main part.

1 ----- Main parts (Assembly parts)

2 ----- Sub component included in " 1 ".

3 ----- Sub component included in " 2 ".

Note) Parts that are not for sale are partially illustrated but not listed.

③ Interchangeability Symbol

When a part change takes place, one of the following interchangeability symbols is indicated beside the part.

Symbol	Interchangeability	Contents note
N	Old $\begin{matrix} \leftarrow \text{Yes} \\ \text{No} \rightarrow \end{matrix}$ New	New Part is interchangeable for Old Part but Old Part is not interchangeable for New Part.
Q	Old $\begin{matrix} \leftarrow \text{No} \\ \text{Yes} \rightarrow \end{matrix}$ New	New Part is not interchangeable for Old Part but Old Part is interchangeable for New Part.
R	Old $\begin{matrix} \leftarrow \text{Yes} \\ \text{Yes} \rightarrow \end{matrix}$ New	New/ Old Parts are both interchangeable.
S	Old $\begin{matrix} \leftarrow \text{No} \\ \text{No} \rightarrow \end{matrix}$ New	New/ Old Parts are both not interchangeable.
W		Part newly added.
Z		Part discontinued.
F		Not interchangeable by a single part but interchangeable together with related parts.
K		Changes only for used parts quantities.

④ Effective Machine No.

When a part changes, the effective Machine No. will be indicated in the (A)-(F) column.

Product Symbol	Product No.	Product Symbol	Product No.
C	Clutch No. Compressor No.	F	Machine No. (Agricultural Equip.)
D	Drive No.	M	Machine No.
E	Engine No.		

Note 1) A date may follow the symbol. (Ex.) 1996.01

Note 2) "XXXXX" and "ZZZZZ" are for parts that could not be predicted or for engine models that could not be identified.

Note 3) (A=E00185) is the E (Engine Serial Number) for the column (A) model (in this case 4JH-DT) after the parts design change.

⑤ Remarks

Figures or alphabets (symbols) are entered in the remarks column.

The comments (remarks) on parts that are indicated at the bottom of the illustration are the same symbols as those stated above.

Contents

OCD10-M56301

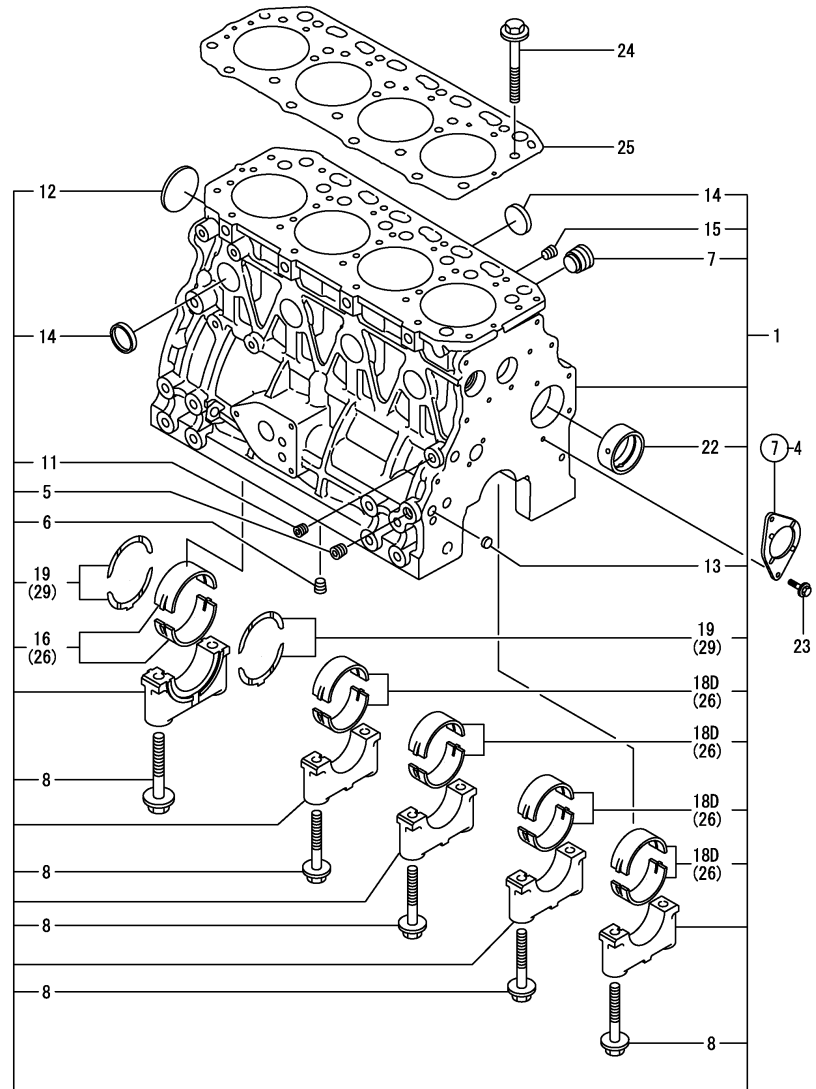
Fig. No. Fig. Name

Fig. No. Fig. Name

4TNE88-DGD

1. BLOCK, CYLINDER
2. GEAR HOUSING
3. FLYWHEEL HOUSING & OIL SUMP
4. CYLINDER HEAD & BONNET
5. SUCTION MANIFOLD & AIR CLEANER
6. EXHAUST MANIFOLD
7. CAMSHAFT & DRIVING GEAR
8. CRANKSHAFT & PISTON
9. LUB.OIL SYSTEM
10. COOLING WATER SYSTEM(OLD)
11. FUEL INJECTION PUMP
12. GOVERNOR
13. FUEL INJECTION VALVE
14. FUEL LINE
15. STARTING MOTOR(OLD)
16. GENERATOR
17. PULSER
18. GASKET SET
19. COOLING WATER SYSTEM(NEW)
20. STARTING MOTOR(NEW)

Fig.1. BLOCK, CYLINDER



(A)=4TNE88-DGD
(B)=
(C)=

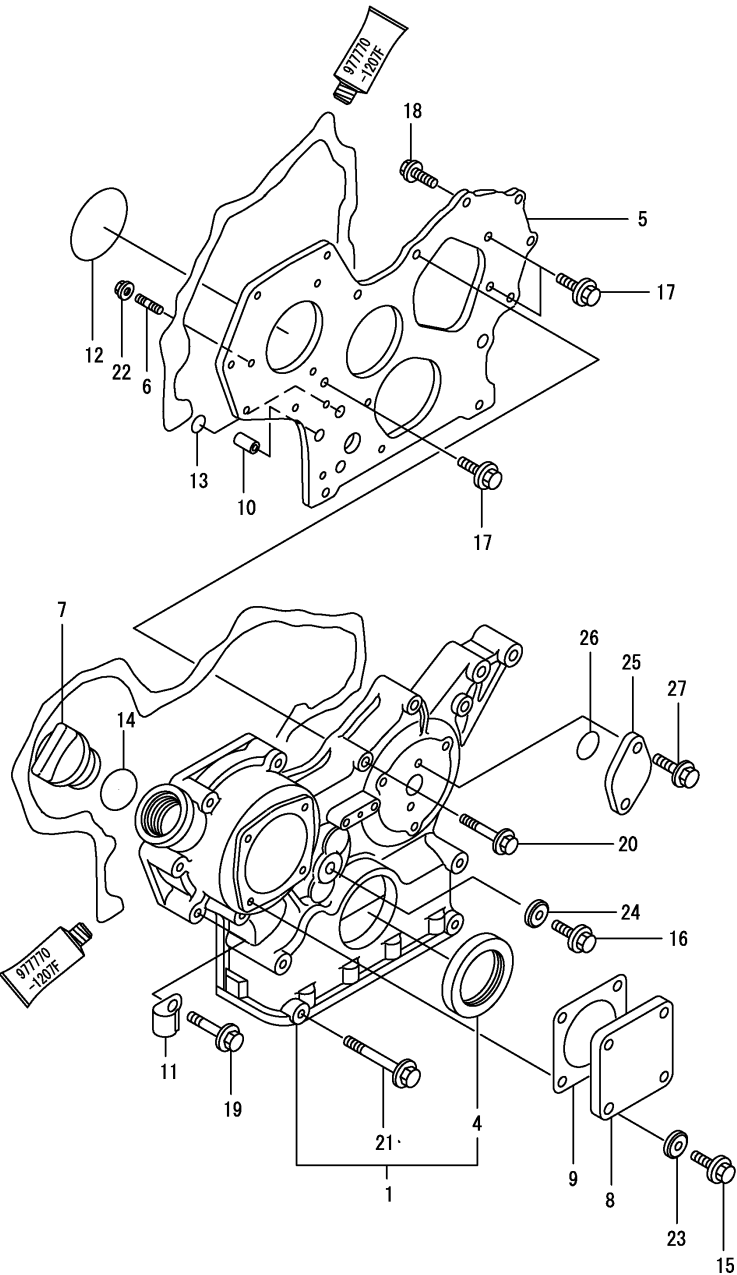
(D)=
(E)=
(F)=

No.	Lev.	Parts No.	Description	Q'ty						I	R
				(A)	(B)	(C)	(D)	(E)	(F)		
1	1	729407-01561	BLOCK ASSY, CYLINDER	1							
5	2	124160-01910	PLUG, PT1/4	2							
6	2	124160-01910	PLUG, PT1/4	1							
7	2	171051-01921	PLUG, NPTF1	1							
8	2	129150-02020	BOLT, METAL CAP	10							
11	2	23871-010000	PLUG, R01	1							
11-1	2	23876-010000	PLUG, R01	1							N
		(A=*1999.07)									
12	2	27231-500000	PLUG 50	1							
12-1	2	129001-01250	PLUG, 50	1							N
		(A=*1999.12)									
13	2	27241-120000	PLUG, 12	2							
14	2	27241-300000	PLUG 30	8							
15	2	23871-030000	PLUG, R03	1							
15-1	2	23876-030000	PLUG, R03	1							N
		(A=*1999.07)									
18D	2	129001-02931	BEARING, MAIN	5							W 3
		(A=*2006.05)									
19	2	129150-02930	BEARING, THRUST	2							S
19-1	2	129150-02931	BEARING, THRUST	2							S
		(A=*2006.05)									
22	2	129795-02411	BUSH, CAMSHAFT	1							
22-1	2	129795-02412	BUSH, CAMSHAFT	1							S
		(A=*2006.05)									
23	1	26106-080162	BOLT, M8X 16 PLATED	2							
23-1	1	26106-080142	BOLT, M8X 14 PLATED	2							R
		(A=*2005.12)									
24	1	129150-01200	BOLT, HEAD	18							
25	1	129407-01340	GASKET, HEAD	1							
26	1	129150-02870	BEARING, 0.25 US	5							1
26-1	1	129150-02871	BEARING, 0.25 US	5							S 1
		(A=*2006.05)									
29	1	129150-02940	BEARING, THRUST 0.25	2							2
29-1	1	129150-02941	BEARING, THRUST 0.25	2							S 2
		(A=*2006.05)									

Remarks

- (1) UNDER-SIZED(U.S=0.25)PART.
- (2) OVER-SIZED(O.S=0.25)PART.
- (3) REPAIR PART.

Fig.2. GEAR HOUSING

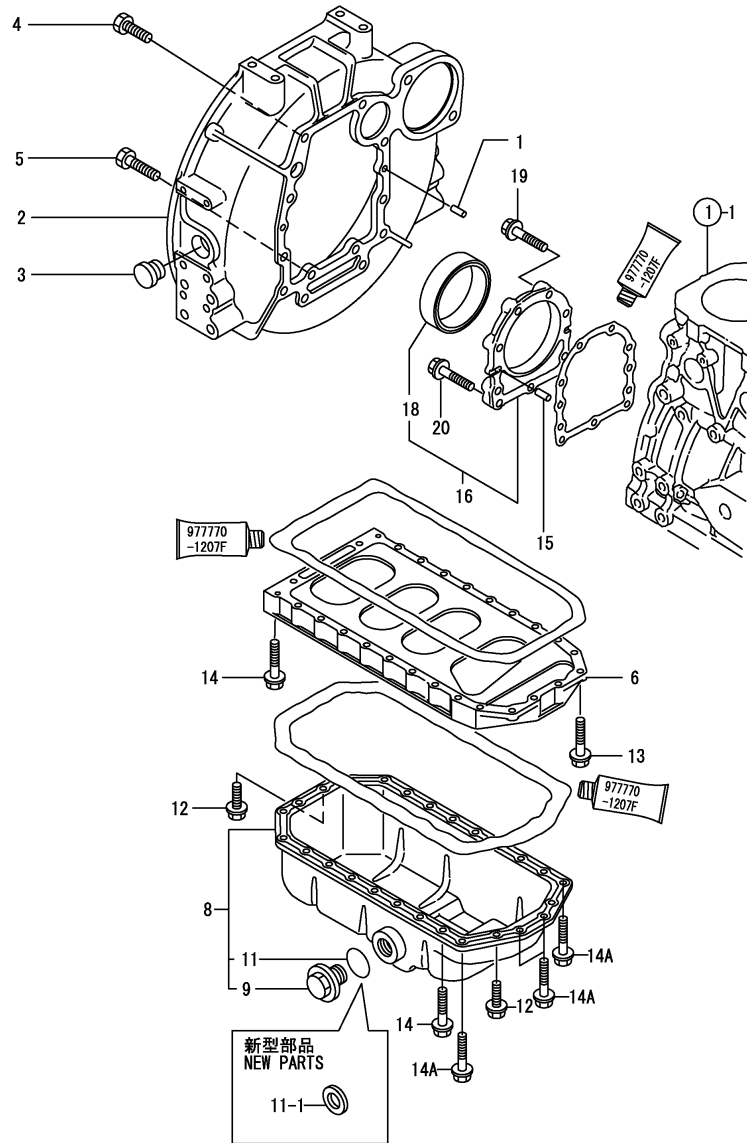


(A)=4TNE88-DGD
(B)=
(C)=

(D)=
(E)=
(F)=

No.	Lev.	Parts No.	Description	Q'ty						I	R
				(A)	(B)	(C)	(D)	(E)	(F)		
1	1	719810-01500	CASE ASSY, GEAR	1							
4	2	129795-01800	SEAL, OIL	1							
5	1	129400-01520	FLANGE, GEAR CASE	1							
6	1	121450-01560	STUD, M8X22	3							
7	1	124160-01751	COVER, FILLER	1							
8	1	124240-01871	COVER	1							
9	1	124240-01883	GASKET	1							
10	1	129795-01950	PIPE, KNOCK L=18	2							
11	1	129150-03100	RETAINER, PIPE	1							
12	1	121850-51960	O-RING	1							
13	1	24311-000160	O-RING, 1AP16.0	2							
13-1	1	119609-32040	O-RING, P16	2							R
(A=*2001.10)											
14	1	24311-000320	O-RING, 1AP32.0	1							
15	1	26106-080122	BOLT, M8X 12 PLATED	4							
16	1	26106-080162	BOLT, M8X 16 PLATED	1							
17	1	26106-080162	BOLT, M8X 16 PLATED	3							
18	1	26106-080202	BOLT, M8X 20 PLATED	2							
19	1	26106-080452	BOLT, M8X 45 PLATED	6							
20	1	26106-080552	BOLT, M8X 55 PLATED	3							
21	1	26106-080852	BOLT, M8X 85 PLATED	4							
22	1	26366-080002	NUT, M8	3							
22-1	1	26306-080002	NUT, M8	3							N
(A=*2001.05)											
23	1	22190-080002	WASHER, SEAL 6	4							
24	1	22190-080002	WASHER, SEAL 6	1							
25	1	121023-01550	COVER	1							
25-1	1	121023-01551	COVER	1							R
(A=*2005.10)											
26	1	24341-000240	O-RING, 1AS24.0	1							
27	1	26106-060122	BOLT, M6X 12 PLATED	2							
27-1	1	26106-060162	BOLT, M6X 16 PLATED	2							R
(A=*2005.10)											

Fig.3. FLYWHEEL HOUSING & OIL SUMP



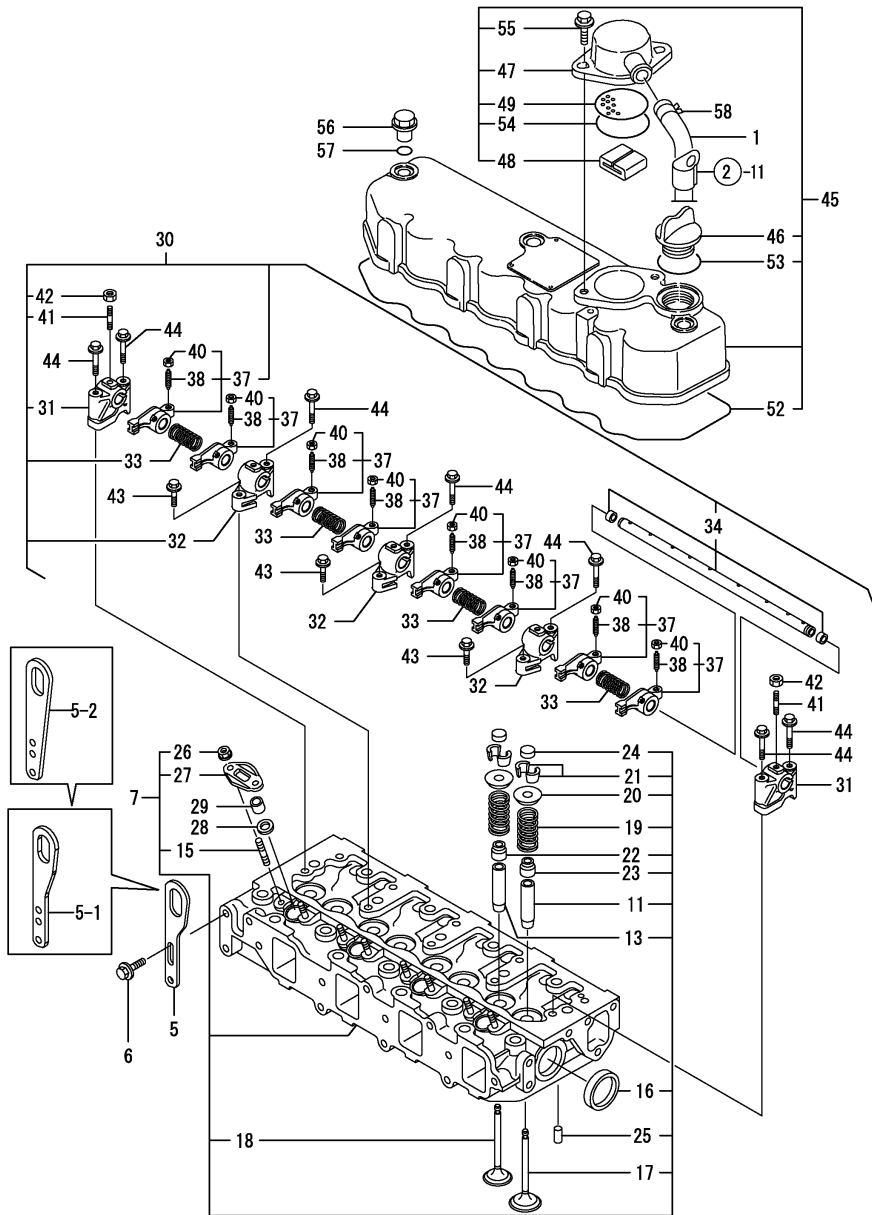
(A)=4TNE88-DGD
(B)=
(C)=

(D)=
(E)=
(F)=

No.	Lev.	Parts No.	Description	Q'ty						I	R
				(A)	(B)	(C)	(D)	(E)	(F)		
1	1	129100-01580	PIN, M8X16	2							
2	1	171440-01600	HOUSING, FLYWHEEL	1							
3	1	119620-01750	CAP	1							
4	1	26206-100252	BOLT, M10X 25 PLATED	6							
5	1	26206-100302	BOLT, M10X 30 PLATED	4							
6	1	129400-01730	SPACER, OIL SUMP	1							
8	1	129400-01770	SUMP ASSY, OIL	1							
8-1	1	129688-01780	OIL PAN ASSY, DEEP	1						N	1
(A=REF. TO R)											
9	2	171301-01640	PLUG, 22	1							
9-1	2	119640-01640	PLUG, DRAIN M22	1							N
(A=*2004.03)											
11	2	24341-000250	O-RING, 1AS25.0	1							
11-1	2	22190-220002	WASHER, SEAL 22	1							N
(A=*2004.03)											
12	1	26106-080162	BOLT, M8X 16 PLATED	4							
13	1	26106-080252	BOLT, M8X 25 PLATED	2							
14	1	26106-080452	BOLT, M8X 45 PLATED	24							
14-1	1	26106-080452	BOLT, M8X 45 PLATED	20							K
(A=*2009.03)											
14A	1	26106-080502	BOLT, M8X 50 PLATED	4							W
(A=*2009.03)											
15	1	129100-01580	PIN, M8X16	2							
16	1	129100-01640	CASE ASSY, OIL SEAL	1							
18	2	129795-01780	SEAL, OIL	1							
19	1	26106-080302	BOLT, M8X 30 PLATED	6							
19-1	1	129486-01670	BOLT, M8X30	6							R
(A=*1996.6)											
20	1	26106-080352	BOLT, M8X 35 PLATED	3							

Remarks
(1)For repair.

Fig.4. CYLINDER HEAD & BONNET



(A)=4TNE88-DGD

(B)=

(C)=

(D)=

(E)=

(F)=

No.	Lev.	Parts No.	Description	Q'ty						I	R
				(A)	(B)	(C)	(D)	(E)	(F)		
1	1	129410-03100	PIPE , BREATHER	1							
5	1	124736-07900	LIFTER	2							
5-1	1	129604-07900	LIFTER	2							N
(A=*2009.05)											
5-2	1	129900-07900	LIFTER	2							N
(A=*2009.08)											
6	1	26106-080142	BOLT, M8X 14 PLATED	4							
7	1	129407-11700	HEAD ASSY, CYLINDER	1							
11	2	120130-11860	GUIDE, VALVE	4							1
13	2	129150-11810	GUIDE, VALVE	4							1
15	2	26216-060202	STUD, M6X 20	8							
16	2	27241-400000	PLUG, 40	2							
17	2	129100-11100	VALVE, INTAKE	4							
18	2	129100-11110	VALVE, EXHAUST	4							
18-1	1	129100-11111	VALVE, EXHAUST	4							R
(A=*2004.08)											
18-2	1	129100-11112	VALVE, EXHAUST	4							R
(A=*2005.10)											
19	2	129795-11120	SPRING, VALVE	8							
20	2	129795-11180	RETAINER, SPRING	8							
21	2	27310-080001	COTTER, 8	8							
22	2	121400-11340	SEAL, VALVE STEM	4							
23	2	124460-11340	SEAL, VALVE STEM	4							
24	2	129150-11370	CAP, VALVE	8							
25	2	22351-060012	PIN, SPRING 6.0X12	2							
26	2	26366-060002	NUT, M6	8							
27	2	119625-11900	RETAINER, NOZZLE	4							
28	1	119625-11880	SEAT, NOZZLE	4							
29	1	119625-11871	PROTECTOR, NOZZLE	4							
29-1	1	119625-11870	PROTECTOR, NOZZLE	4							N
(A=*1997.08)											
30	1	129500-11240	SHAFT ASSY, ROCKER	1							
31	2	129155-11260	SUPPORT, ROCKER ARM	2							
32	2	129155-11270	SUPPORT, ROCKER ARM	3							
33	2	129150-11280	SPRING	4							
34	2	129550-11290	SHAFT, ROCKER ARM	1							
37	2	129100-11650	ARM, ROCKER	8							
38	3	129150-11230	SCREW, VALVE ADJUST	8							
40	3	129150-11750	NUT, M8	8							
41	2	26226-080182	STUD, M8X 18	3							
41-1	2	119802-11280	STUD	3							R
(A=*2002.01)											
42	2	26756-080002	NUT, LOCK M8	3							
43	1	26106-080252	BOLT, M8X 25 PLATED	3							
44	1	26106-080502	BOLT, M8X 50 PLATED	7							
45	1	129400-11350	BONNET ASSY, HEAD	1							
46	2	124160-01751	COVER, FILLER	1							
47	2	129150-03020	COVER, BREATHER	1							
48	2	129150-03070	BAFFLE, BREATHER	1							
49	2	129150-03080	PLATE, BAFFLE	1							
52	2	129550-11310	GASKET, BONNET	1							

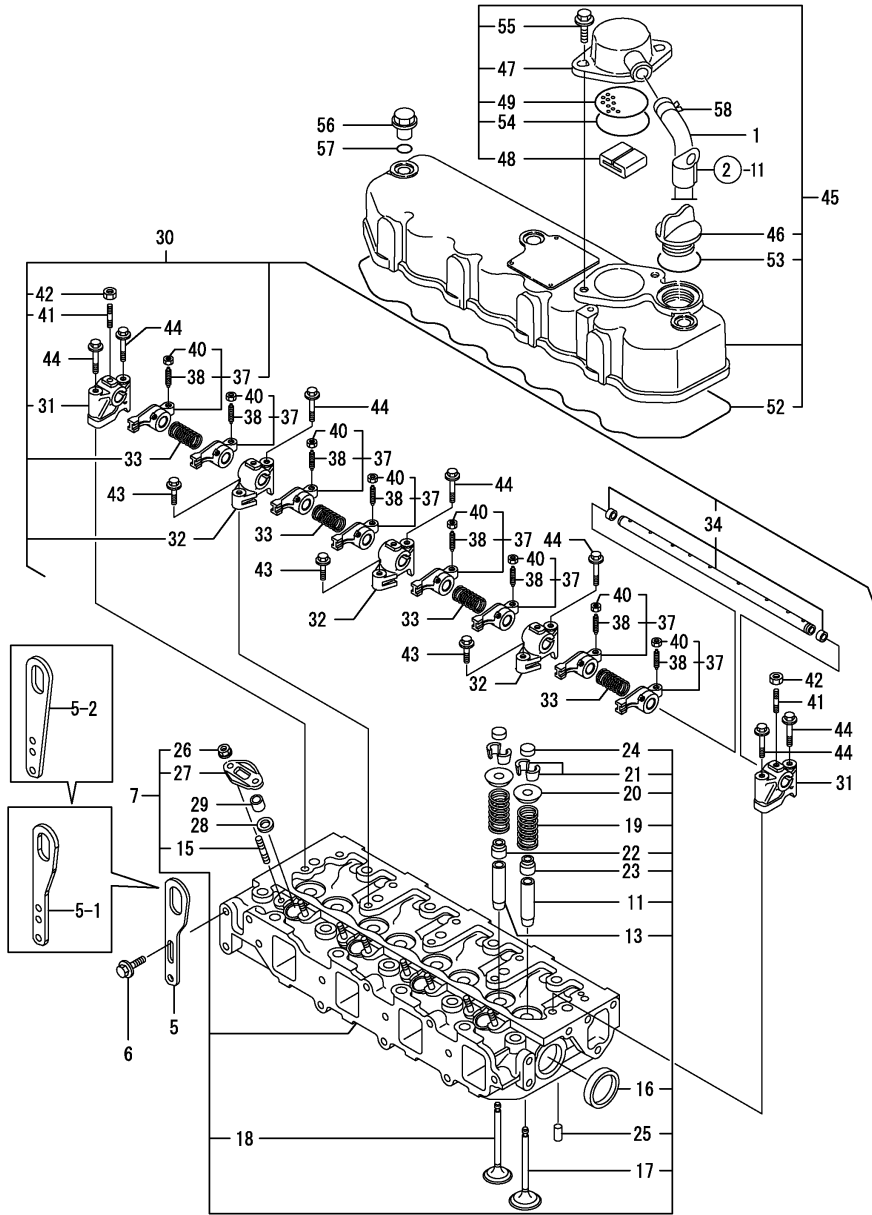
Remarks

(1) REPAIR PART.

Fig.4. CYLINDER HEAD & BONNET

(A)=4TNE88-DGD
(B)=
(C)=

(D)=
(E)=
(F)=



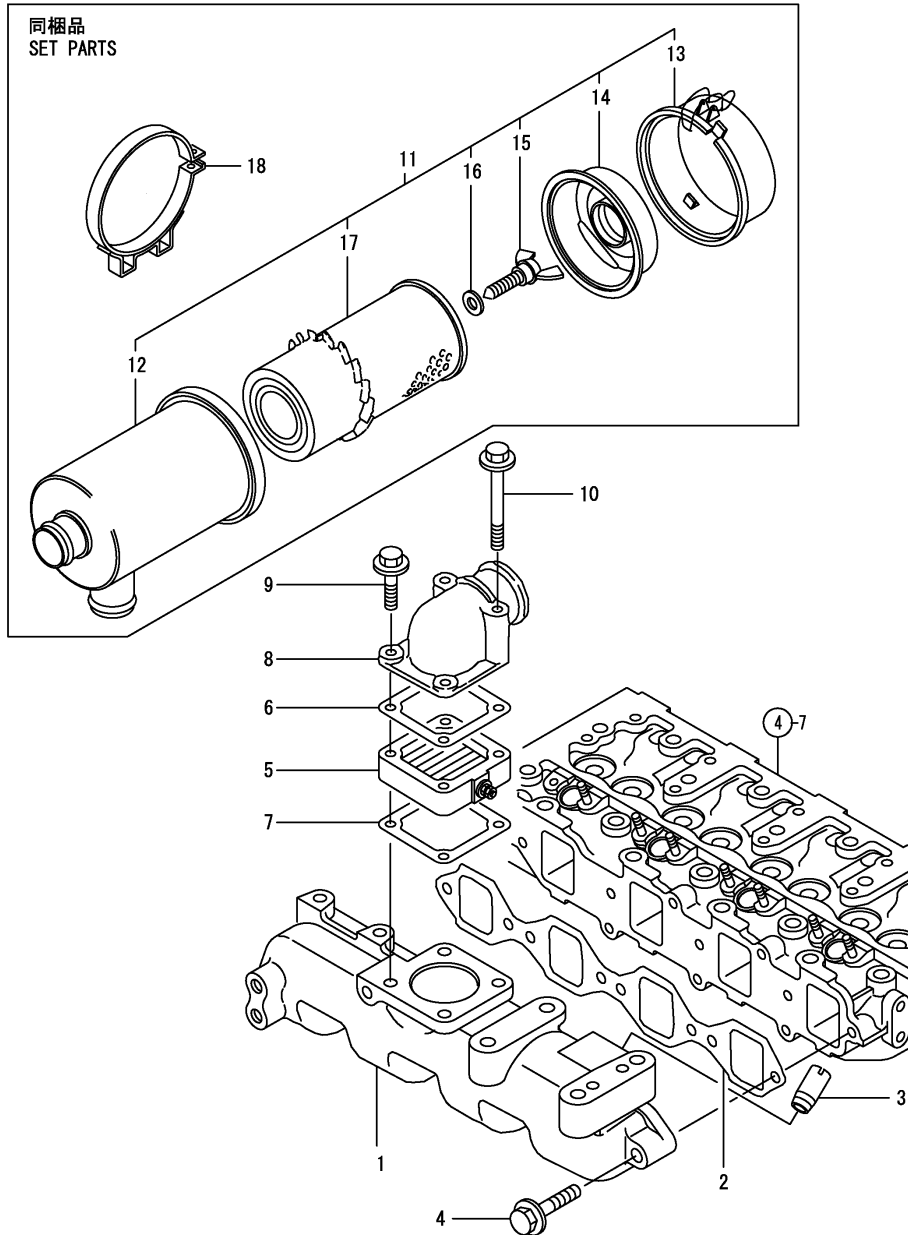
No.	Lev.	Parts No.	Description	Q'ty						I	R
				(A)	(B)	(C)	(D)	(E)	(F)		
53	2	24311-000320	O-RING, 1AP32.0	1							
54	2	24341-000500	O-RING, 1AS50.0	1							
55	2	26106-080162	BOLT, M8X 16 PLATED	2							
56	1	124160-11360	KNOB	3							
57	1	24311-000120	O-RING, 1AP12.0	3							
58	1	129410-03990	CLAMP 22	2							

Remarks
(1) REPAIR PART.

Fig.5. SUCTION MANIFOLD & AIR CLEANER

(A)=4TNE88-DGD
(B)=
(C)=

(D)=
(E)=
(F)=

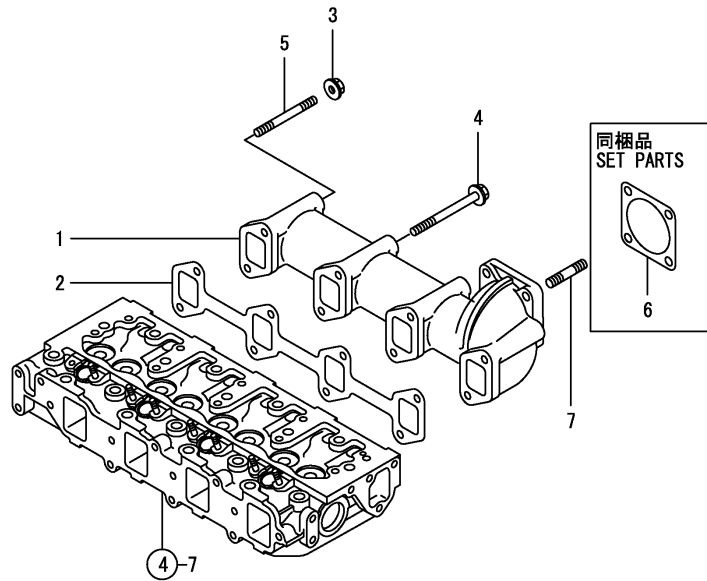


No.	Lev.	Parts No.	Description	Q'ty						I	R
				(A)	(B)	(C)	(D)	(E)	(F)		
1	1	129400-12100	MANIFOLD, AIR INTAKE	1							
2	1	129550-12111	GASKET, MANIFOLD	1							
2-1	1	129550-12112	GASKET, MANIFOLD	1							S
(A=*2004.06)											
3	1	104407-44480	JOINT	1							
4	1	26106-080352	BOLT, M8X 35 PLATED	5							
5	1	129100-77500	HEATER, AIR 12V	1							
6	1	129100-77510	GASKET, AIR HEATER	1							
7	1	129150-77511	GASKET	1							
8	1	171340-77520	BEND	1							
9	1	26106-080402	BOLT, M8X 40 PLATED	2							
10	1	26106-080802	BOLT, M8X 80 PLATED	2							
11	1	121252-12502	CLEANER ASSY, AIR	1							
11-1	1	121252-12503	CLEANER ASSY, AIR	1							R
(A=*2002.02)											
12	2	121252-12521	BODY, AIR CLEANER	1							
13	2	121120-12531	PAN, DUST	1							
14	2	121120-12541	RETAINER, ELEMENT	1							
15	2	121120-12561	BOLT	1							
16	2	121120-12571	WASHER, SEAL	1							
17	2	121120-12901	ELEMENT	1							
18	1	171002-12560	BAND, AIR CLEANER	1							

Fig.6. EXHAUST MANIFOLD

(A)=4TNE88-DGD
(B)=
(C)=

(D)=
(E)=
(F)=

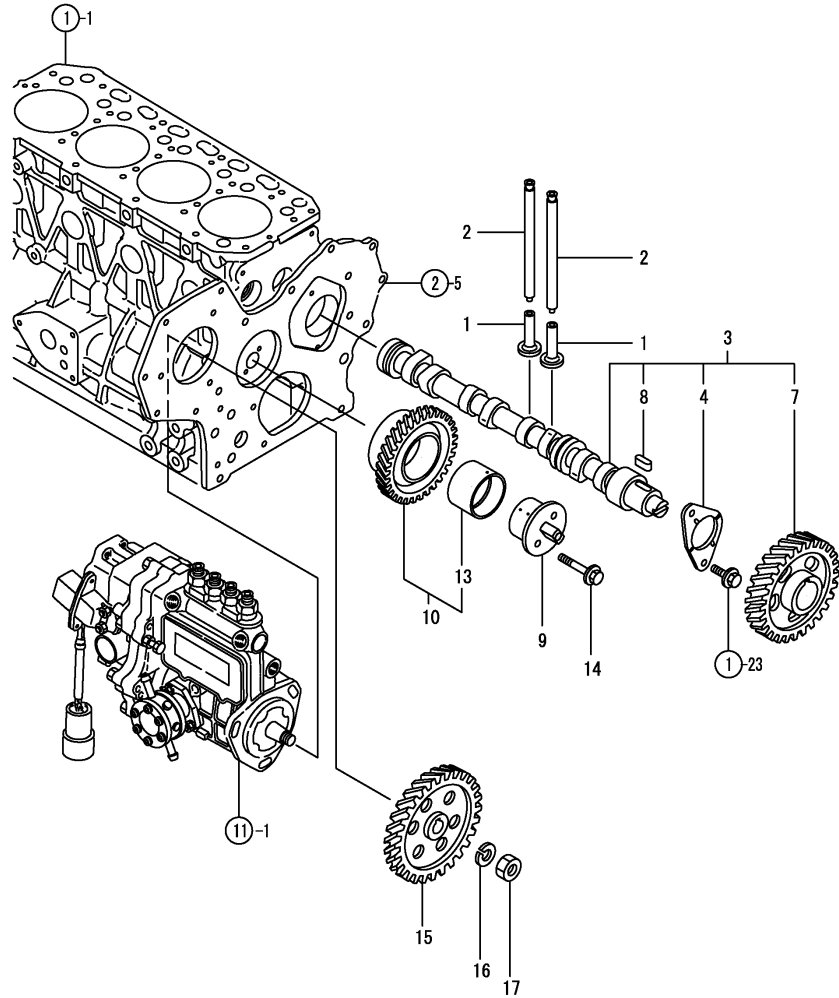


No.	Lev.	Parts No.	Description	Q'ty						I	R
				(A)	(B)	(C)	(D)	(E)	(F)		
1	1	129400-13101	MANIFOLD, EXHAUST	1							
2	1	129550-13110	GASKET	1							
3	1	194990-22050	NUT, M8	2							
3-1	1	26366-080002 (A=*1998.05)	NUT, M8	2							R
3-2	1	26306-080002 (A=*2001.05)	NUT, M8	2							N
4	1	26106-080802	BOLT, M8X 80 PLATED	6							
4-1	1	123900-13630 (A=*2002.08)	BOLT, M8X80	6							R
5	1	26216-080802	STUD, M8X 80	2							
5-1	1	123900-13610 (A=*2002.08)	STUD, M8X80	2							R
6	1	129400-13201	GASKET, SILENCER	1							
7	1	26216-080222	STUD, M8X 22	4							
7-1	1	119131-18320 (A=*1998.11)	STUD, M8X22	4							N

Fig.7. CAMSHAFT & DRIVING GEAR

(A)=4TNE88-DGD
(B)=
(C)=

(D)=
(E)=
(F)=



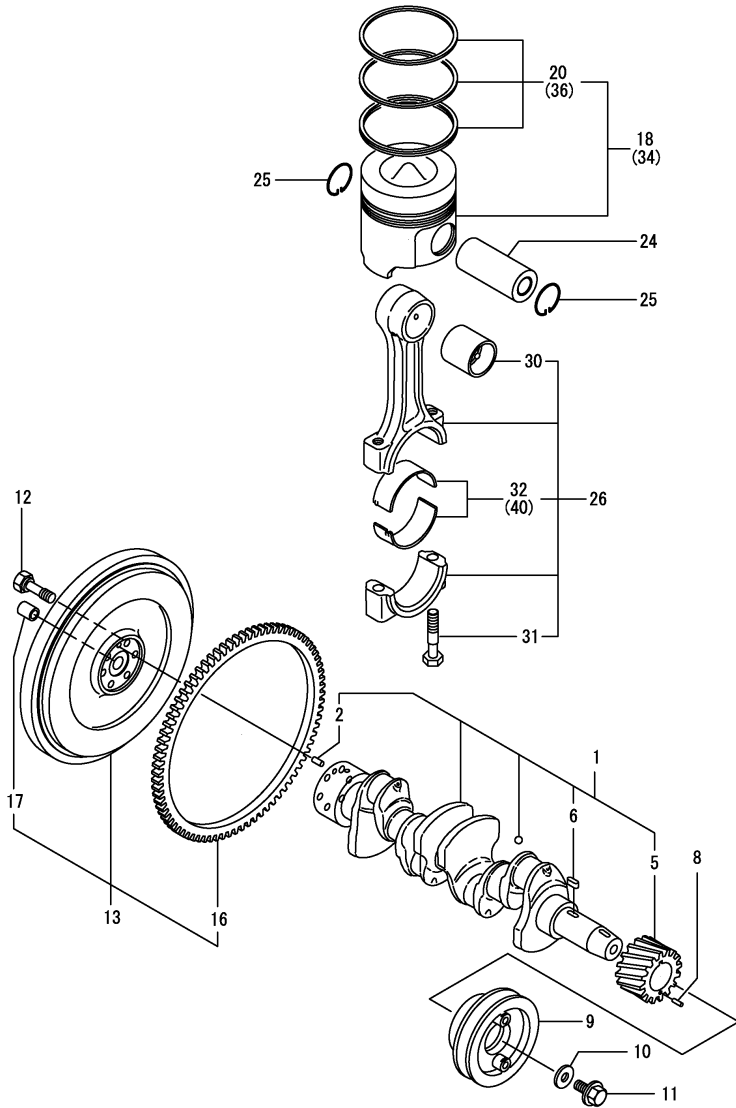
No.	Lev.	Parts No.	Description	Q'ty						I	R
				(A)	(B)	(C)	(D)	(E)	(F)		
1	1	129150-14200	TAPPET	8							
2	1	129150-14400	ROD, PUSH L=178	8							
3	1	729402-14580	CAMSHAFT ASSY	1							
4	2	129150-02450	BEARING, THRUST	1							
7	2	129150-14101	GEAR, CAMSHAFT	1							
8	2	22512-070140	KEY, 7X 14	1							
9	1	129100-25061	SHAFT, IDLE	1							
10	1	129150-25101	GEAR ASSY, IDLE	1							
13	2	129150-25920	BUSH, IDLE GEAR	1							1
14	1	26106-080452	BOLT, M8X 45 PLATED	2							
15	1	129150-25900	GEAR, PUMP	1							
16	1	22217-120000	WASHER, SPRING 12	1							
17	1	26716-120002	NUT, M12	1							

Remarks
(1) REPAIR PART.

Fig.8. CRANKSHAFT & PISTON

(A)=4TNE88-DGD
(B)=
(C)=

(D)=
(E)=
(F)=



No.	Lev.	Parts No.	Description	Q'ty						I	R
				(A)	(B)	(C)	(D)	(E)	(F)		
1	1	129407-21000	CRANKSHAFT ASSY	1							
1-1	1	129407-21100	CRANKSHAFT ASSY	1							S
(A=*2000.06)											
2	2	129100-01580	PIN, M8X16	1							
5	2	129150-21200	GEAR, CRANKSHAFT	1							
6	2	22512-070140	KEY, 7X 14	1							
8	1	22351-040010	PIN, SPRING 4.0X10	1							
9	1	129550-21650	V-PULLEY	1							
10	1	129795-21661	WASHER	1							
11	1	121850-21680	BOLT	1							
12	1	121111-21501	BOLT, FLYWHEEL	6							
13	1	129619-21590	FLYWHEEL ASSY	1							
16	2	124550-21600	GEAR, RING	1							
17	2	24107-060034	BEARING, BALL 6003ZZ	1							
18	1	129001-22081	PISTON ASSY	4							
20	2	129001-22500	RING SET, PISTON	4							
24	1	129202-22300	PIN, PISTON D26 L70	4							
25	1	22252-000260	RING, 26	8							
26	1	729402-23100	ROD ASSY, CONNECTING	4							
30	2	129100-23910	BEARING, PISTON PIN	4							1
31	2	121550-23200	BOLT, CONNECTING ROD	8							
32	2	129150-23600	BEARING, CRANK PIN	4							
32-1	2	129150-23601	BEARING, CRANK PIN	4							S
(A=*2006.05)											
34	1	129001-22901	PISTON ASSY, 0.25 OS	4							2
36	2	129001-22950	RING SET, 0.25 OS	4							2
40	1	129150-23610	BEARING, 0.25 US	4							3
40-1	1	129150-23611	BEARING, 0.25 US	4							S 3
(A=*2006.05)											

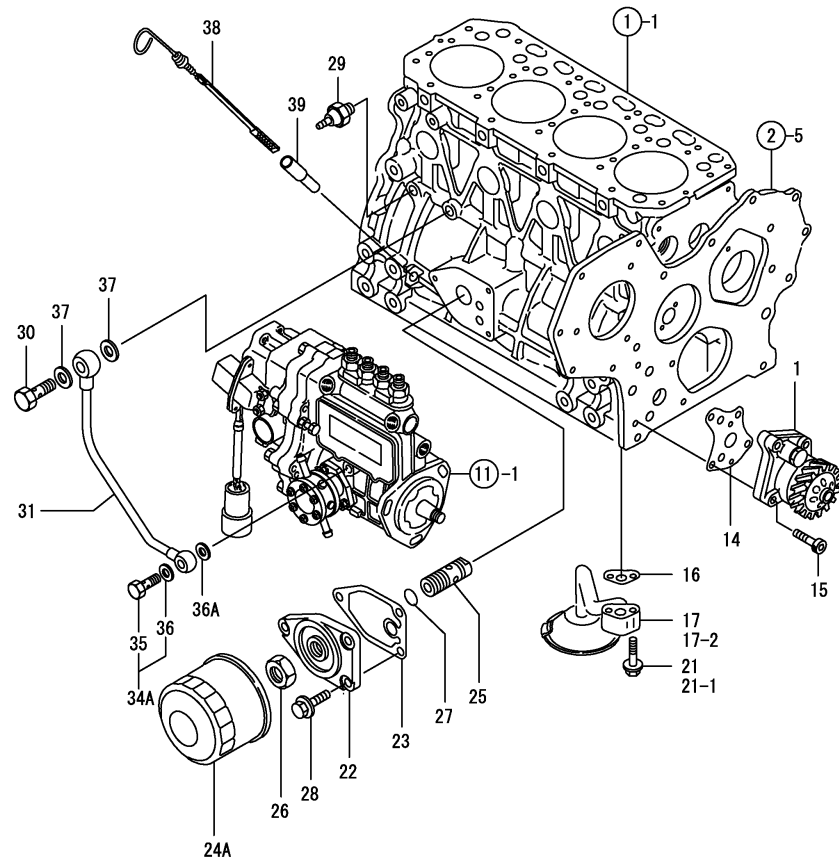
Remarks

- (1) REPAIR PART.
- (2) OVER-SIZE (O.S=0.25) PART.
- (3) UNDER-SIZE(U.S=0.25) PART.

Fig.9. LUB.OIL SYSTEM

(A)=4TNE88-DGD
(B)=
(C)=

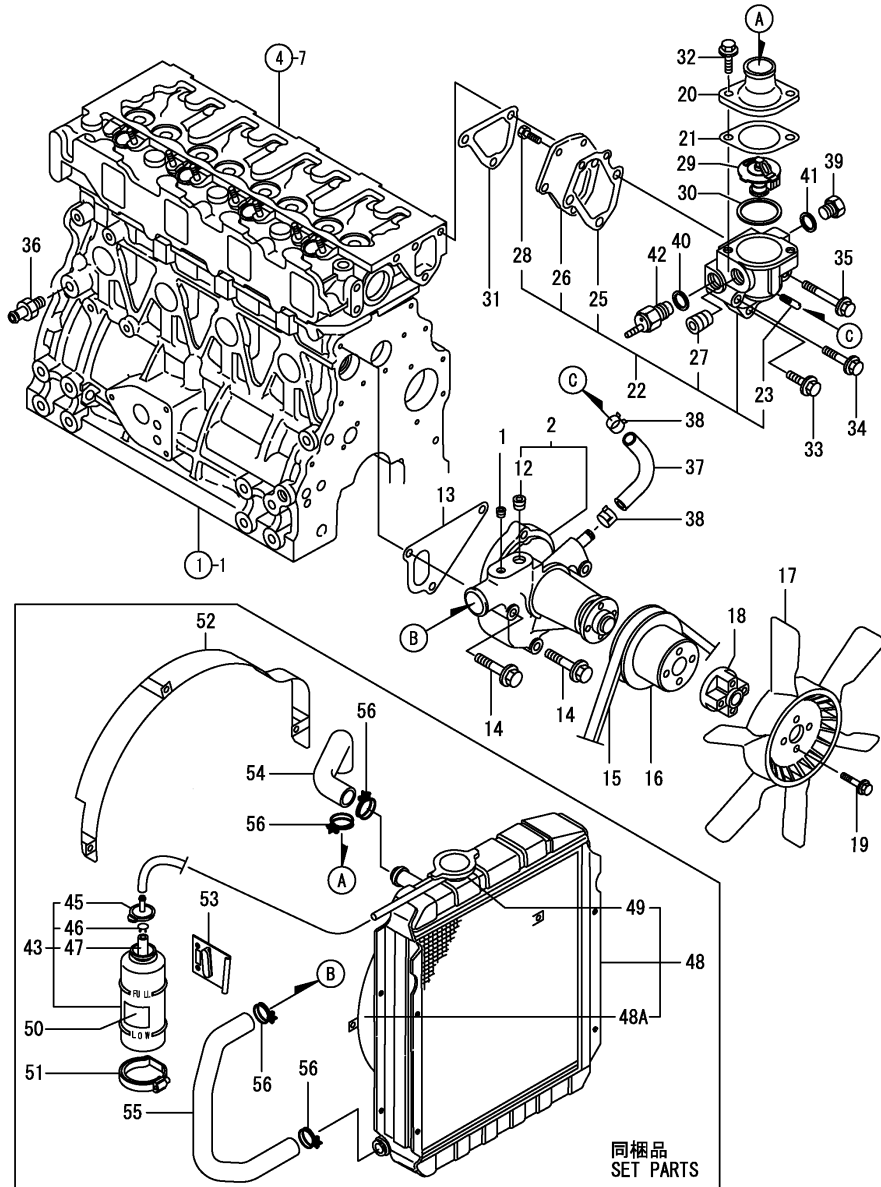
(D)=
(E)=
(F)=



No.	Lev.	Parts No.	Description	Q'ty						I	R
				(A)	(B)	(C)	(D)	(E)	(F)		
1	1	129407-32000	PUMP ASSY, OIL	1							
14	1	129150-32020	GASKET, PUMP	1							
15	1	26450-060252	BOLT, M6X 25	4							
16	1	129150-35041	GASKET	1							
16-1	1	129150-35042	GASKET	1							N
(A=*2004.06)											
17	1	129436-35090	PIPE ASSY, OIL INLET	1							
17-1	1	129436-35091	PIPE ASSY, OIL INLET	1							N
(A=*1996.09)											
17-2	1	129436-35070	PIPE ASSY, LUB. OIL	1							S
(A=EZZZZZ)											
21	1	26106-080352	BOLT, M8X 35 PLATED	2							
21-1	1	26106-080552	BOLT, M8X 55 PLATED	2							S
(A=EZZZZZ)											
22	1	129150-35101	BRACKET, STRAINER	1							
23	1	129150-35111	GASKET	1							
24A	1	129150-35153	FILTER 80X80L	1							
25	1	129001-35300	BOLT, FILTER	1							
26	1	129150-35350	NUT	1							
27	1	24311-000160	O-RING, 1AP16.0	1							
28	1	26106-080202	BOLT, M8X 20 PLATED	3							
29	1	124160-39450	SWITCH, 0.5KG	1							
29-1	1	114250-39450	SWITCH, 0.5KG	1							N
(A=*2006.02)											
30	1	124160-39140	BOLT, PIPE JOINT M10	1							
31	1	129550-39450	PIPE ASSY, OIL	1							
34A	1	124550-59830	BOLT ASSY, JOINT M8	1							W
(A=*1999.02)											
35	2	124550-59820	BOLT, PIPE JOINT M8	1							
36	2	22190-080002	WASHER, SEAL 6	2							
36-1	2	22190-080002	WASHER, SEAL 6	1							K
(A=*1999.12)											
36A	1	22190-080002	WASHER, SEAL 6	1							
(A=*1999.12)											
37	1	23414-100000	GASKET, 10X1.0	2							
37-1	1	22190-100002	WASHER, SEAL 10	2							N
(A=*1999.12)											
38	1	171420-34820	DIPSTICK, OIL	1							
39	1	121520-34810	GUIDE, DIPSTICK	1							

Remarks
(1) REPAIR PART.

Fig.10. COOLING WATER SYSTEM(OLD)



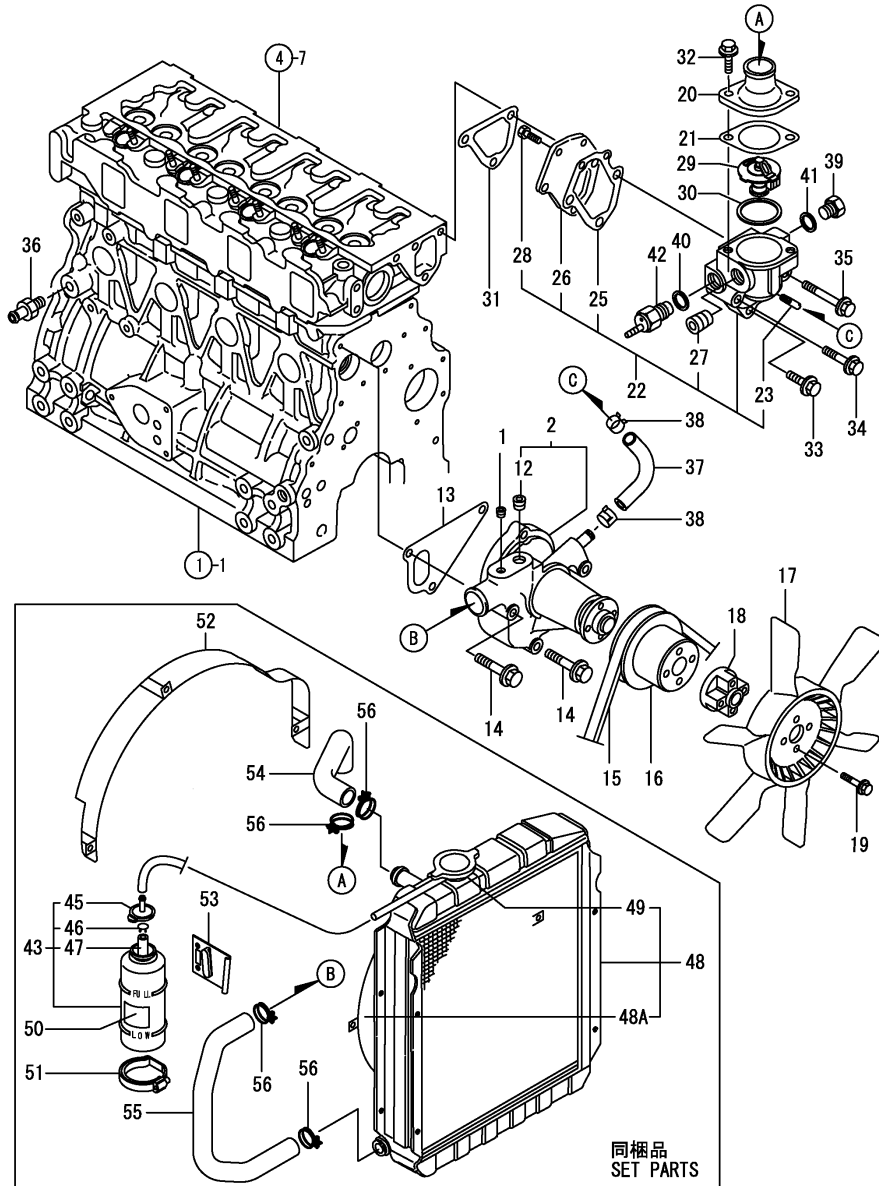
(A)=4TNE88-DGD
(B)=
(C)=

(D)=
(E)=
(F)=

No.	Lev.	Parts No.	Description	Q'ty						I	R
				(A)	(B)	(C)	(D)	(E)	(F)		
1	1	121850-11860 (A=*2005.10)	PLUG, PT1/4	1							Z
2	1	129100-42002	PUMP ASSY, WATER	1							
2-1	1	129001-42001 (A=*1995.12)	PUMP ASSY, WATER	1							S
2-2	1	129001-42002 (A=*1996.05)	PUMP ASSY, WATER	1							N
2-3	1	129001-42003 (A=*1999.08)	PUMP ASSY, WATER	1							Z
12	2	23871-030000	PLUG, R03	1							
12-1	2	23871-030000 (A=*1995.12)	PLUG, R03	2							K
12-2	2	23876-030000 (A=*1999.07)	PLUG, R03	2							N
12-3	2	23876-030000 (A=*2005.09)	PLUG, R03	2							Z
13	1	129100-42020	GASKET, WATER PUMP	1							Z
14	1	26106-080602	BOLT, M8X 60 PLATED	3							Z
15	1	25132-003700	V-BELT, A37	1							Z
16	1	129155-42350	V-PULLEY	1							
17	1	129403-44740	FAN, COOLING 370	1							
18	1	171353-44760	SPACER, FAN	1							
19	1	26106-060352	BOLT, M6X 35 PLATED	4							
20	1	129350-49530	COVER, THERMOSTAT	1							Z
21	1	129795-49551	GASKET	1							Z
22	1	129100-49800	CASE ASSY, THERMOSTAT	1							Z
23	2	124770-11770	JOINT, PIPE PT1/8	1							Z
25	2	129100-49820	GASKET	1							Z
26	2	129100-49830	COVER, THERMOSTAT	1							Z
27	2	23871-030000	PLUG, R03	1							Z
28	2	26116-060162	BOLT, M6X 16 PLATED	2							Z
29	1	129155-49800	THERMOSTAT, 71	1							Z
30	1	129150-49811	GASKET, THERMOSTAT	1							Z
31	1	129100-49840	GASKET	1							Z
32	1	26106-080202	BOLT, M8X 20 PLATED	2							Z
33	1	26106-080252	BOLT, M8X 25 PLATED	1							Z
34	1	26106-080502	BOLT, M8X 50 PLATED	1							Z
35	1	26106-080602	BOLT, M8X 60 PLATED	1							Z
36	1	121550-49111	JOINT, PT1/4	1							
37	1	129132-49050	PIPE, WATER	1							
38	1	23000-016000	CLAMP, 16	2							
39	1	121450-42450	PLUG, M16	1							
40	1	124465-44950	GASKET, 16	1							
41	1	124465-44950	GASKET, 16	1							
42	1	121250-44901	SWITCH, 110	1							
43	1	124450-44510	TANK ASSY, SUB	1							
45	2	124450-44530	CAP	1							
46	2	124450-44560	RETAINER	1							
47	2	23061-070230	PIPE, 7X 230	1							
48	1	171460-44500	RADIATOR	1							
48A	2	171460-44560	SHROUD	1							W

N:Old $\xrightarrow{\text{Yes}}$ New, Q:Old $\xrightarrow{\text{No}}$ New, R:Old $\xrightarrow{\text{Yes}}$ New, S:Old $\xrightarrow{\text{No}}$ New, W:Add, Z:Discontinued, F:Interchangeable by set, K:Q'ty Change
 ++ CONTINUE ++
 Copyright (C) YANMAR CO., LTD. All Rights Reserved.

Fig.10. COOLING WATER SYSTEM(OLD)



(A)=4TNE88-DGD
(B)=
(C)=

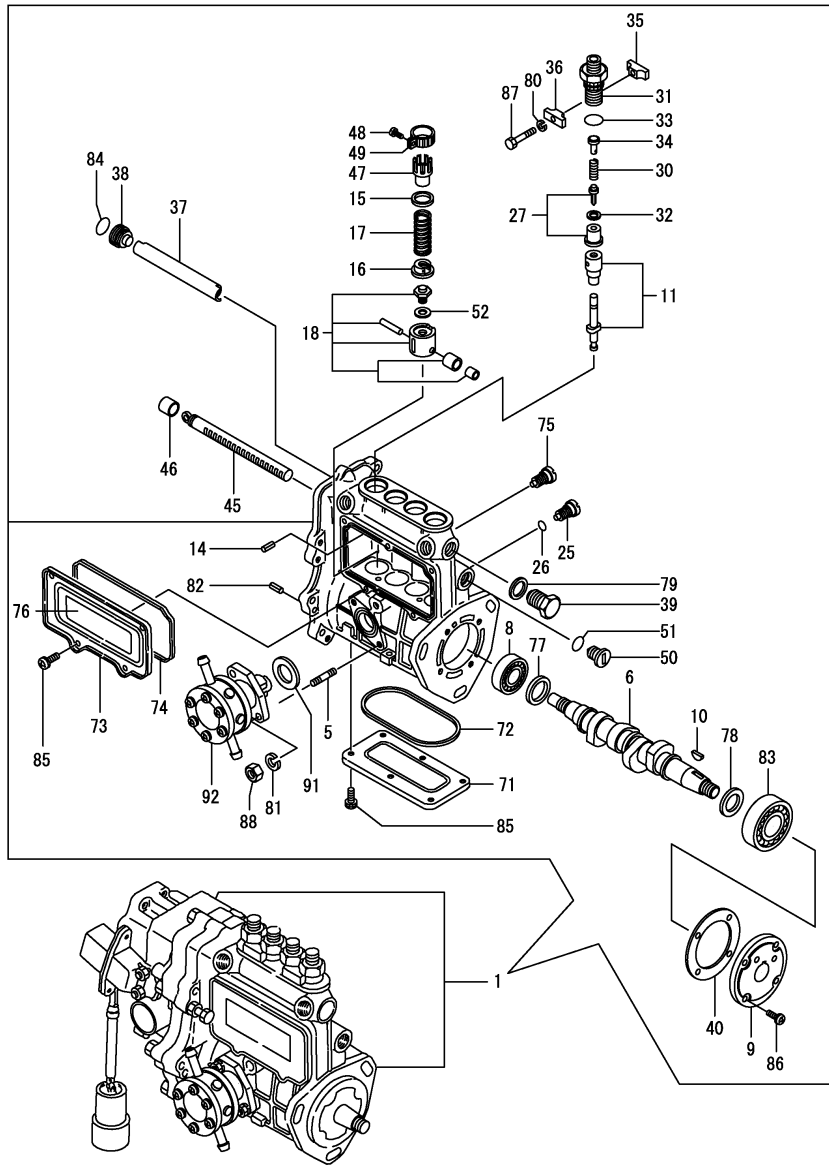
(D)=
(E)=
(F)=

No.	Lev.	Parts No.	Description	Q'ty						I	R
				(A)	(B)	(C)	(D)	(E)	(F)		
(A=*1995.12)											
49	2	124450-44590	CAP, RADIATOR	1							
49-1	2	119259-44570	CAP, RADIATOR	1							N
(A=*2009.05)											
50	1	121470-44540	LABEL, SUB-TANK	1							
51	1	124450-44550	BAND	1							
52	1	129411-44560	PROTECTOR, FAN	1							
53	1	121256-44600	BRACKET, SUB TANK	1							
54	1	171420-49010	PIPE, WATER	1							
55	1	171420-49020	PIPE, WATER	1							
56	1	23010-038000	CLAMP, 38	4							

Fig.11. FUEL INJECTION PUMP

(A)=4TNE88-DGD
(B)=
(C)=

(D)=
(E)=
(F)=



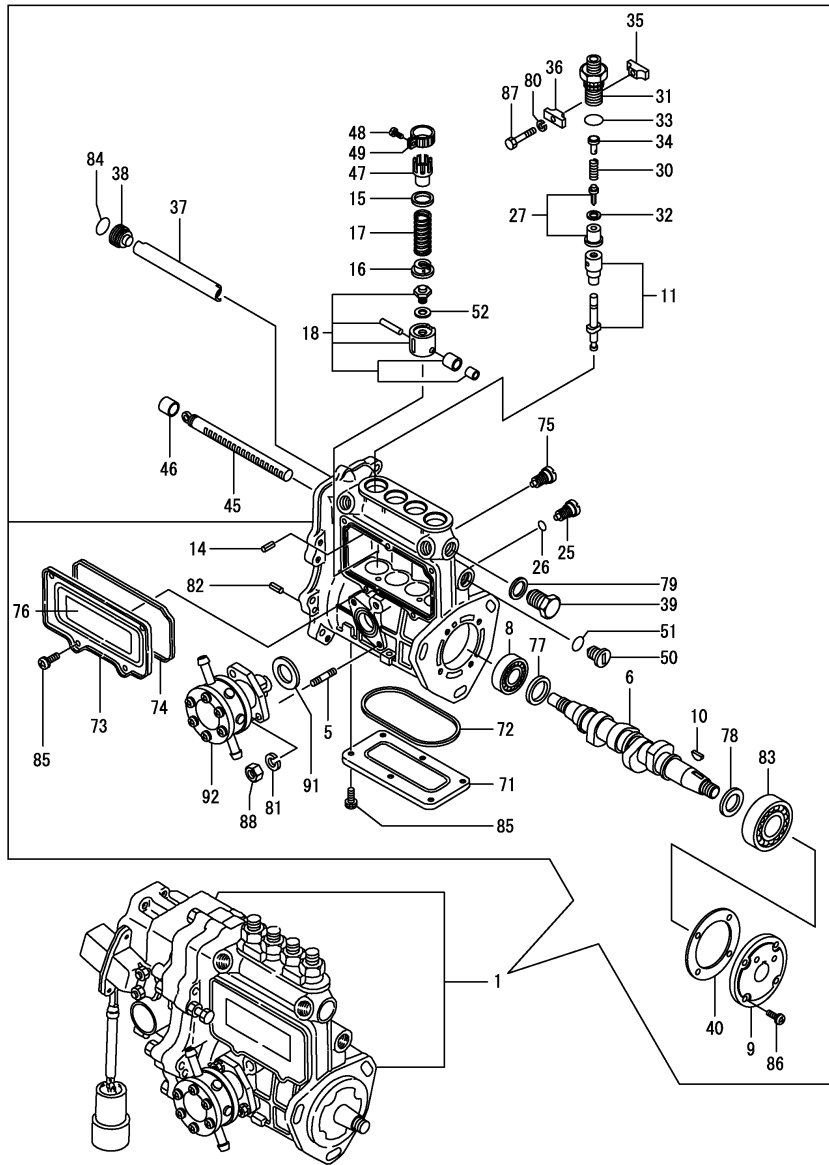
No.	Lev.	Parts No.	Description	Q'ty						I	R
				(A)	(B)	(C)	(D)	(E)	(F)		
1	1	729619-51200	PUMP ASSY, INJECTION	1							1
5	2	129155-51020	STUD	2							
6	2	129470-51040	CAMSHAFT	1							
8	2	129155-51050	BEARING, 17BM001D	1							
8-1	2	129155-51051	BEARING	1							N
(A=*2007.09)											
9	2	129155-51060	SUPPORT, CAMSHAFT	1							
10	2	122710-51090	KEY	1							
11	2	129506-51100	PLUNGER ASSY	4							
11-1	2	129619-51100	PLUNGER ASSY	4							N
14	2	129155-51140	PIN	4							
15	2	174307-51170	RETAINER, SPRING A	4							
15-1	2	158600-51170	RETAINER, SPRING	4							R
(A=*2009.03)											
16	2	129155-51180	RETAINER, SPRING	4							
17	2	124950-51190	SPRING, PLUNGER	4							
18	2	129155-51200	TAPPET ASSY	4							
25	2	129155-51270	STOPPER, TAPPET	4							
26	2	129155-51280	O-RING, S6	4							
27	2	129100-51300	VALVE ASSY, DELIVERY	4							
30	2	129155-51320	SPRING, DELIVERY	4							
31	2	129155-51340	RETAINER	4							
32	2	124550-51350	GASKET, DELIVERY	4							
33	2	124550-51370	O-RING	4							
33-1	2	24316-000150	O-RING, 4DP15.0	4							N
(A=*2007.09)											
34	2	129155-51370	STOPPER, VALVE	4							
35	2	129155-51380	STOPPER	2							
36	2	129155-51390	STOPPER	2							
37	2	129555-51400	DEFLECTOR	1							
38	2	129155-51410	BOLT	1							
38-1	2	158600-51410	PLUG, DEFLECTOR	1							N
(A=*2007.09)											
39	2	129155-51420	PLUG, M16	1							
39-1	2	158600-51420	PLUG, DEFLECTOR	1							N
(A=*2007.09)											
40	2	129155-51450	SHIM SET, ADJUSTING	1							
45	2	129555-51500	RACK, CONTROL	1							
46	2	129155-51521	BUSH, RACK	1							
47	2	129155-51550	PINION, CONTROL	4							
48	2	122117-51560	SCREW	4							
48-1	2	129100-51570	SCREW	4							N
(A=*2007.09)											
49	2	174307-51560	PINION	4							
49-1	2	129100-51560	PINION	4							N
(A=*2007.09)											
50	2	129155-51570	PLUG, M12	1							
51	2	129155-51580	O-RING	1							
52	2	129155-51600	SHIM SET, ADJUSTING	4							
71	2	129555-51700	COVER	1							
71-1	2	129555-51701	COVER	1							N

Remarks
(1) GOVERNOR ASSY(FIG.NO.12) IS INCORPORATED IN THIS FUEL INJECTION PUMP ASSY(REF.NO.1).

Fig.11. FUEL INJECTION PUMP

(A)=4TNE88-DGD
(B)=
(C)=

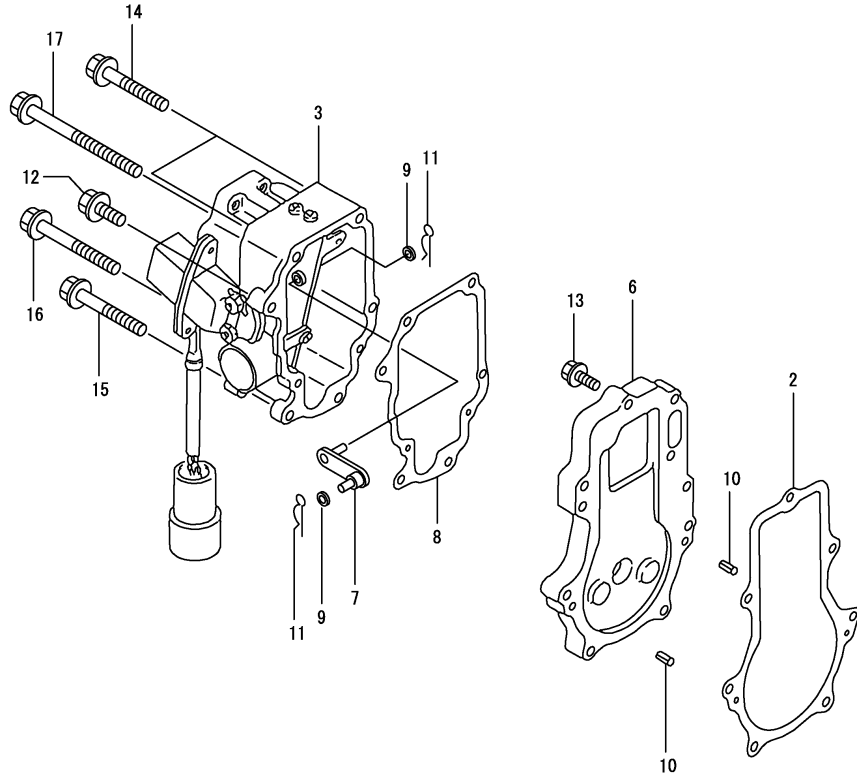
(D)=
(E)=
(F)=



No.	Lev.	Parts No.	Description	Q'ty						I	R
				(A)	(B)	(C)	(D)	(E)	(F)		
		(A=*2007.09)									
72	2	129555-51710	GASKET	1							
72-1	2	129555-51711	GASKET	1							N
		(A=*2007.09)									
73	2	129555-51750	COVER	1							
73-1	2	129555-51751	COVER	1							N
		(A=*2007.09)									
74	2	129555-51760	GASKET	1							
74-1	2	129555-51761	GASKET	1							N
		(A=*2007.09)									
75	2	129155-51790	STOOPER, RACK	1							
76	2	129156-51910	LABEL, CAUTION	1							
77	2	129155-51930	SPACER, T=3.25	1							
78	2	129155-51940	SPACER, T=1.5	1							
79	2	22190-160002	WASHER, SEAL 16	1							
80	2	22217-050000	WASHER, SPRING 5	2							
81	2	22217-060000	WASHER, SPRING 6	2							
82	2	22351-050010	PIN, SPRING 5.0X10	2							
83	2	24101-063034	BEARING, BALL 6303	1							
84	2	24341-000160	O-RING, 1AS16.0	1							
84-1	2	119717-51420	O-RING	1							N
		(A=*2007.09)									
85	2	26022-050102	SCREW, M5X10	11							
85-1	2	26022-050122	SCREW, M5X12	11							N
		(A=*2007.09)									
86	2	26022-060162	SCREW, M6X16	4							
87	2	26116-050302	BOLT, M5X 30 PLATED	2							
88	2	26716-060002	NUT, M6	2							
91	2	129155-52050	GASKET	1							
91-1	2	129155-52051	GASKET	1							N
		(A=*2003.07)									
92	2	129100-52100	PUMP ASSY, FUEL FEED	1							
92-1	2	129100-52101	PUMP ASSY, FUEL FEED	1							N
		(A=*2004.08)									

Remarks
(1) GOVERNOR ASSY(FIG.NO.12) IS
INCORPORATED IN THIS FUEL
INJECTION PUMP ASSY(REF.NO.1).

Fig.12. GOVERNOR



(A)=4TNE88-DGD
(B)=
(C)=

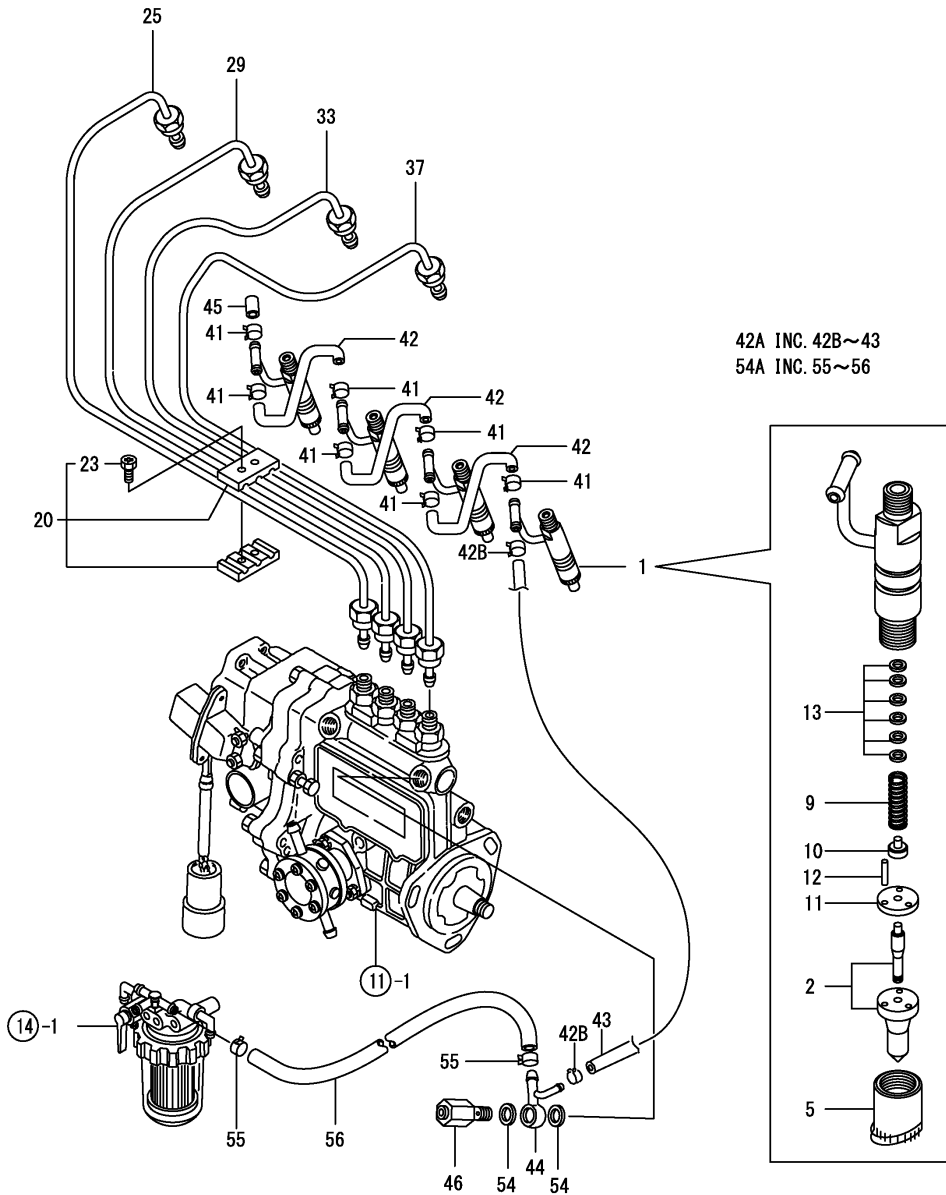
(D)=
(E)=
(F)=

No.	Lev.	Parts No.	Description	Q'ty						I	R
				(A)	(B)	(C)	(D)	(E)	(F)		
2	2	129116-61051	GASKET	1							
3	2	119649-61100	ACTUATOR	1							
3-1	2	129611-61100	ACTUATOR	1							N
(A=*1996.10)											
6	2	129116-61110	SPACER	1							
7	2	129116-61120	LINK	1							
7-1	2	129116-61121	LINK	1							R
(A=*1997.05)											
8	2	119649-61151	GASKET	1							
9	2	22117-04000	WASHER, 4	2							
10	2	22351-040010	PIN, SPRING 4.0X10	2							
11	2	22360-050000	SNAP PIN 5	2							
12	2	26106-060202	BOLT, M6X 20 PLATED	1							
13	2	26106-060222	BOLT, M6X 22 PLATED	7							
14	2	26106-060452	BOLT, M6X 45 PLATED	2							
15	2	26106-060602	BOLT, M6X 60 PLATED	1							
16	2	26106-060702	BOLT, M6X 70 PLATED	1							
17	2	26106-060852	BOLT, M6X 85 PLATED	1							

Remarks

* THIS FIGURE(GOVERNOR ASSY) IS INCORPORATED IN THE FUEL INJECTION PUMP ASSY(FIG.11).

Fig.13. FUEL INJECTION VALVE

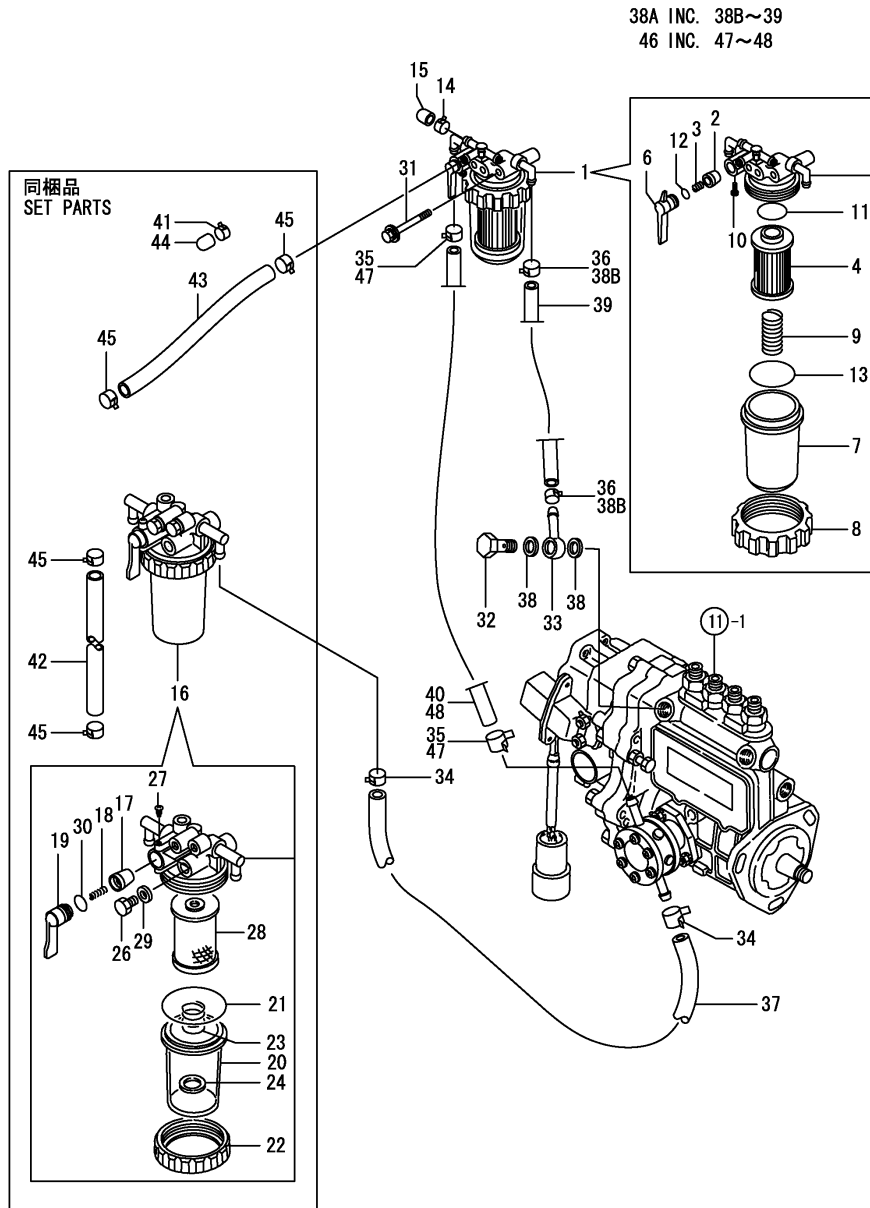


(A)=4TNE88-DGD
(B)=
(C)=

(D)=
(E)=
(F)=

No.	Lev.	Parts No.	Description	Q'ty						I	R
				(A)	(B)	(C)	(D)	(E)	(F)		
1	1	719810-53100	VALVE ASSY,INJECTION	4							
2	2	119810-53000	VALVE ASSY,INJECTION	4							
5	2	114250-53080	NUT, NOZZLE D16.95	4							
9	2	114250-53120	SPRING, NOZZLE	4							
10	2	114250-53130	SEAT, SPRING	4							
11	2	114250-53140	PLATE	4							
12	2	114250-53210	PIN	8							
13	2	114250-53400	SHIM SET	4							
13-1	2	119803-53400	SHIM SET	4							R
(A=*2007.10)											
20	1	129150-59120	RETAINER, PIPE	2							
23	2	129150-59131	BOLT, M4X14	2							
23-1	2	129150-59131	BOLT, M4X14	4							K
(A=*2008.08)											
25	1	129400-59910	PIPE ASSY, INJECTION	1							
25-1	1	129409-59810	PIPE ASSY, INJECTION	1							N
(A=*1996.06)											
29	1	129400-59920	PIPE ASSY, INJECTION	1							
29-1	1	129409-59820	PIPE ASSY, INJECTION	1							N
(A=*1996.06)											
33	1	129400-59930	PIPE ASSY, INJECTION	1							
33-1	2	129409-59830	PIPE ASSY, INJECTION	1							N
(A=*1996.06)											
37	1	129400-59940	PIPE ASSY, INJECTION	1							
37-1	2	129409-59840	PIPE ASSY, INJECTION	1							N
(A=*1996.06)											
41	1	124066-59100	CLIP, HOSE 8	7							
42	1	121250-59550	PIPE, FUEL D8X120	3							
42A	1	119840-59500	PIPE ASSY, RETURN	1							W
(A=*2000.01)											
42B	2	124066-59100	CLIP, HOSE 8	2							
43	2	119840-59560	PIPE, FUEL RETURN	1							
44	1	119840-59570	JOINT	1							
45	1	129150-59580	CAP	1							
46	1	129100-59951	VALVE ASSY, CHECK	1							
46-1	1	119813-59950	VALVE ASSY, CHECK	1							N
(A=*2003.12)											
54	1	23414-120000	GASKET, 12X1.0	2							
54-1	1	22190-120002	WASHER, SEAL 12	2							N
(A=*1999.07)											
54A	1	129210-59150	PIPE ASSY, FUEL	1							W
(A=*1998.08)											
55	2	124766-59050	CLIP, HOSE 12	2							
56	2	105025-59530	PIPE, FUEL D13X400	1							

Fig.14. FUEL LINE



(A)=4TNE88-DGD

(B)=

(C)=

(D)=

(E)=

(F)=

No.	Lev.	Parts No.	Description	Q'ty						I	R
				(A)	(B)	(C)	(D)	(E)	(F)		
1	1	129100-55621	FILTER ASSY, FUEL	1							
2	2	104200-55321	VALVE, TAPER	1							
3	2	104200-55330	SPRING, VALVE	1							
4	2	129100-55650	ELEMENT	1							
6	2	129100-55670	LEVER	1							
7	2	129100-55680	CUP, STRAINER	1							
8	2	129100-55690	RING, RETAINING	1							
9	2	129100-55700	SPRING	1							
10	2	104200-55750	SCREW, M4	1							
11	2	24311-000160	O-RING, 1AP16.0	1							
12	2	24311-240100	O-RING, 1AP10A	1							
13	2	24321-000650	O-RING, 1AG65.0	1							
14	1	124066-59100	CLIP, HOSE 8	1							
15	1	129150-59580	CAP	1							
16	1	129335-55700	SEPARATOR ASSY, WATER	1							
17	2	104200-55321	VALVE, TAPER	1							
18	2	104200-55330	SPRING, VALVE	1							
19	2	104200-55341	HANDLE	1							
20	2	124064-55510	COVER	1							
21	2	102103-55520	O-RING	1							
22	2	110250-55610	RING, RETAINING	1							
23	2	121257-55720	SPRING	1							
24	2	121257-55731	FLOAT	1							
26	2	101720-55750	PLUG, 6	2							
27	2	104200-55750	SCREW, M4	1							
28	2	171081-55910	SCREEN	1							
29	2	23418-060000	GASKET, 6X1.0	2							
30	2	24311-240100	O-RING, 1AP10A	1							
31	1	26014-080702	BOLT, M8X 70	1							
32	1	103854-39140	BOLT, PIPE JOINT	1							
33	1	101304-59020	JOINT, PIPE 12	1							
34	1	124766-59050	CLIP, HOSE 12	2							
35	1	124766-59050	CLIP, HOSE 12	2							Z
36	1	124766-59050	CLIP, HOSE 12	2							Z
37	1	105025-59510	PIPE, FUEL	1							
38	1	104200-59170	GASKET, 12	2							
38-1	1	22190-120002	WASHER, SEAL 12	2							N
(A=*1998.08)											
38A	1	129210-59040	PIPE ASSY, FUEL	1							W
(A=*1998.08)											
38B	2	124766-59050	CLIP, HOSE 12	2							W
(A=*1998.08)											
39	2	129555-59510	PIPE, D13/7.5X180	1							
40	1	105025-59530	PIPE, FUEL D13X400	1							Z
41	1	124766-59050	CLIP, HOSE 12	1							
42	1	124070-59130	PIPE, FUEL 2M	2							
43	1	105582-59540	PIPE, FUEL L=300	1							
43-1	1	124936-59090	PIPE, FUEL	1							
(A=*1998.08)											
44	1	129461-59580	CAP, FUEL OIL	1							
45	1	124060-77680	CLIP, HOSE 10	6							

N:Old \xrightarrow{Yes} New, Q:Old \xrightarrow{No} New, R:Old \xrightarrow{Yes} New, S:Old \xrightarrow{No} New, W:Add, Z:Discontinued, F:Interchangeable by set, K:Q'ty Change

++ CONTINUE ++

Copyright (C) YANMAR CO., LTD. All Rights Reserved.

Fig.14. FUEL LINE

(A)=4TNE88-DGD
(B)=
(C)=

(D)=
(E)=
(F)=

No.	Lev.	Parts No.	Description	Q'ty						I	R
				(A)	(B)	(C)	(D)	(E)	(F)		
46	1	129210-59150 (A=*1998.08)	PIPE ASSY, FUEL	1							W
47	2	124766-59050 (A=*1998.08)	CLIP, HOSE 12	2							W
48	2	105025-59530 (A=*1998.08)	PIPE, FUEL D13X400	1							W

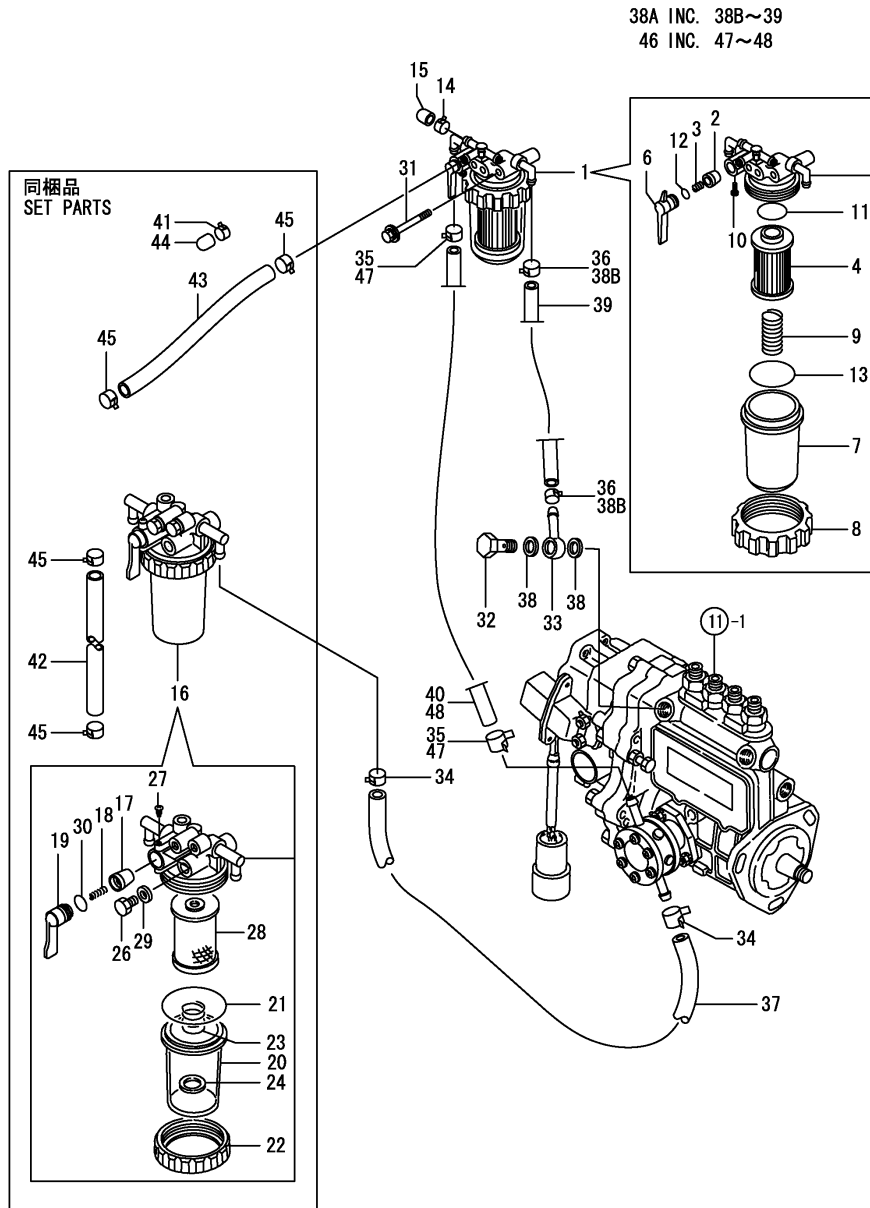
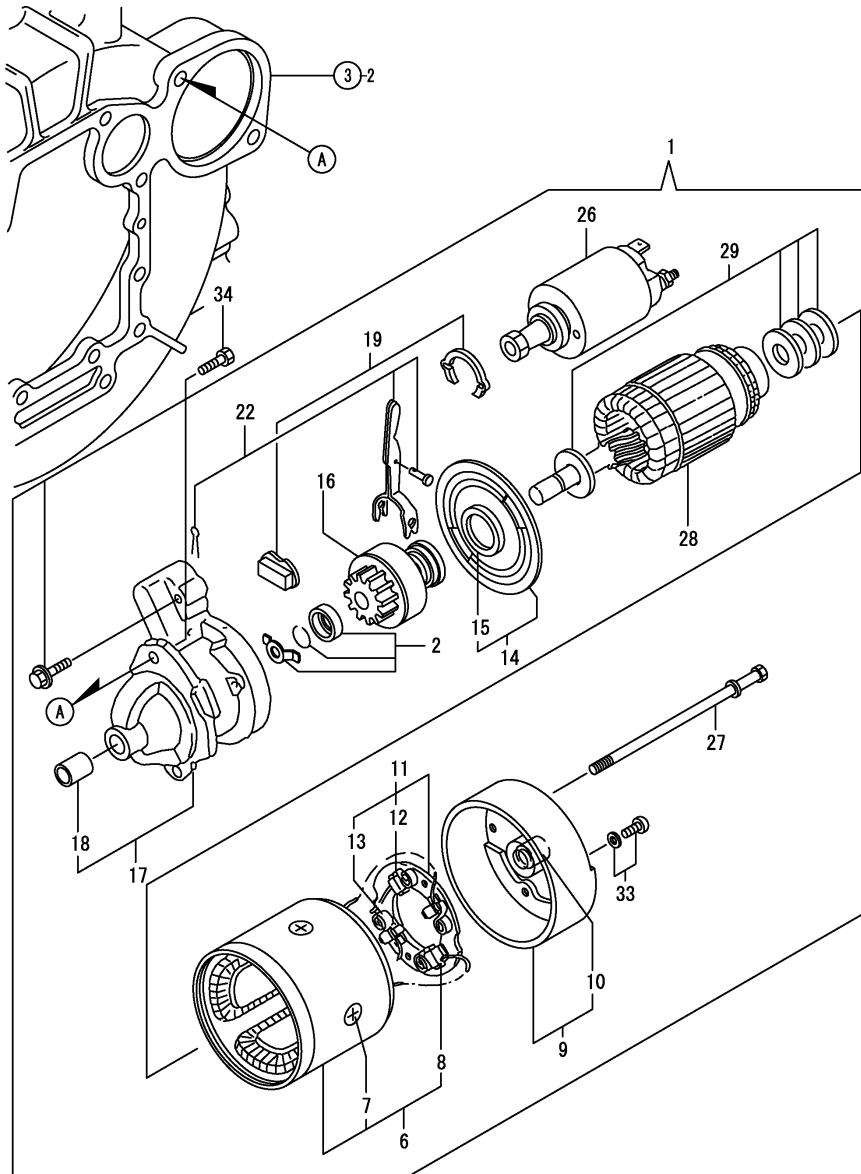


Fig.15. STARTING MOTOR(OLD)



(A)=4TNE88-DGD
(B)=
(C)=

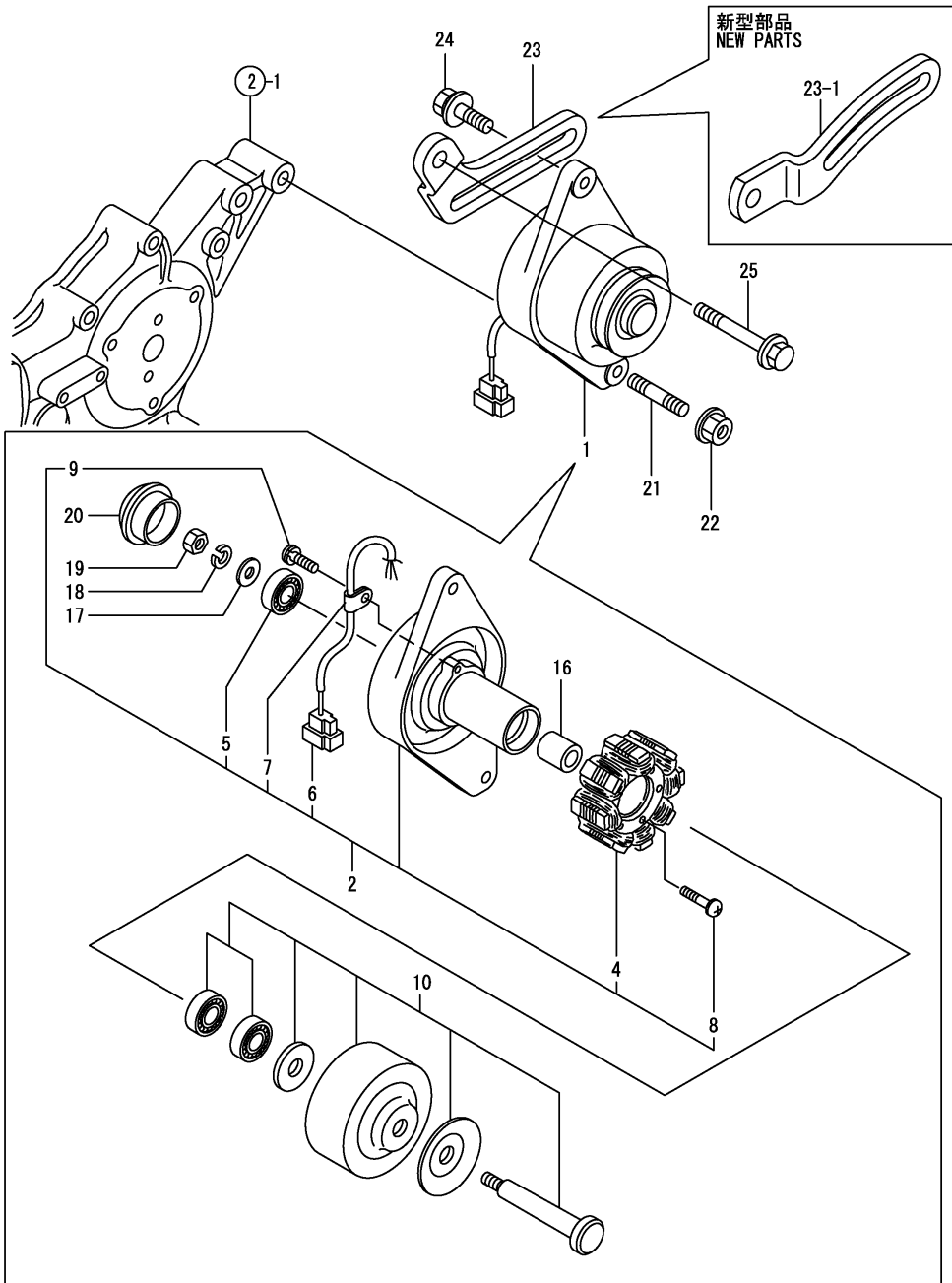
(D)=
(E)=
(F)=

No.	Lev.	Parts No.	Description	Q'ty						I	R
				(A)	(B)	(C)	(D)	(E)	(F)		
1	1	124250-77012	STARTER, S12-77A	1							Z
2	2	124250-77070	STOPPER SET, PINION	1							Z
6	2	124250-77110	COIL ASSY, FIELD	1							Z
7	3	124250-77120	SCREW SET, PORE CORE	4							Z
8	3	124250-77130	BRUSH (+)	2							Z
9	2	124250-77140	COVER ASSY, REAR	1							Z
10	3	124250-77150	METAL, REAR COVER	1							Z
11	2	124250-77160	HOLDER ASSY, BRUSH	1							Z
12	3	124250-77170	BRUSH (-)	2							Z
13	3	124250-77180	SPRING, BRUSH	4							Z
14	2	124250-77190	BEARING ASSY, CENTER	1							Z
15	3	124250-77520	BEARING	1							Z
16	2	124250-77210	PINION ASSY	1							Z
17	2	124250-77220	CASE ASSY, GEAR	1							Z
18	3	124250-77230	METAL, GEAR CASE	1							Z
19	2	124250-77240	COVER SET, DUST	1							Z
22	2	124250-77270	LEVER SET, SHIFT	1							Z
26	2	124250-77310	SWITCH, MAGNETIC	1							Z
27	2	124250-77320	BOLT, THROUGH	2							Z
28	2	124250-77500	ARMATURE ASSY	1							Z
29	2	124250-77510	WASHER KIT	1							Z
33	2	26557-040122	SCREW, M4X12	2							Z
34	1	26116-120252	BOLT, M12X 25 PLATED	2							Z

Fig.16. GENERATOR

(A)=4TNE88-DGD
(B)=
(C)=

(D)=
(E)=
(F)=

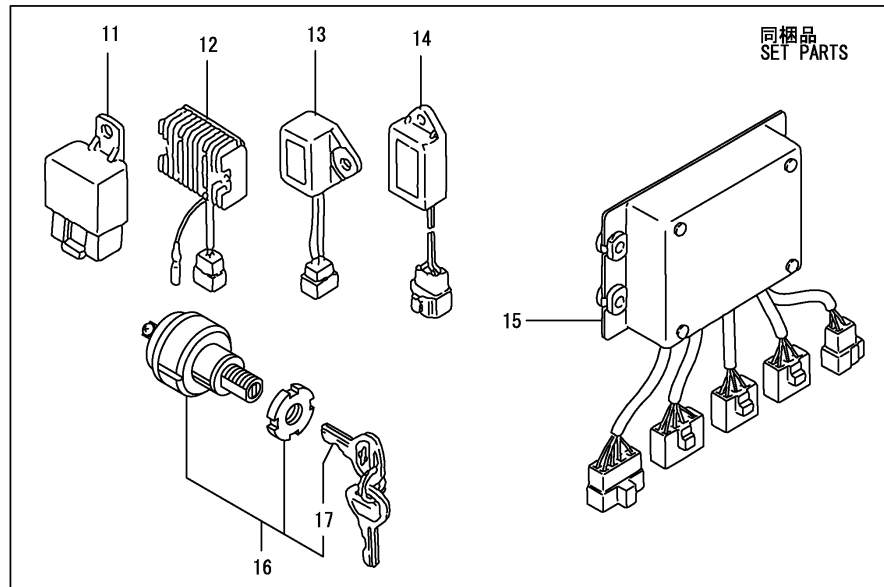
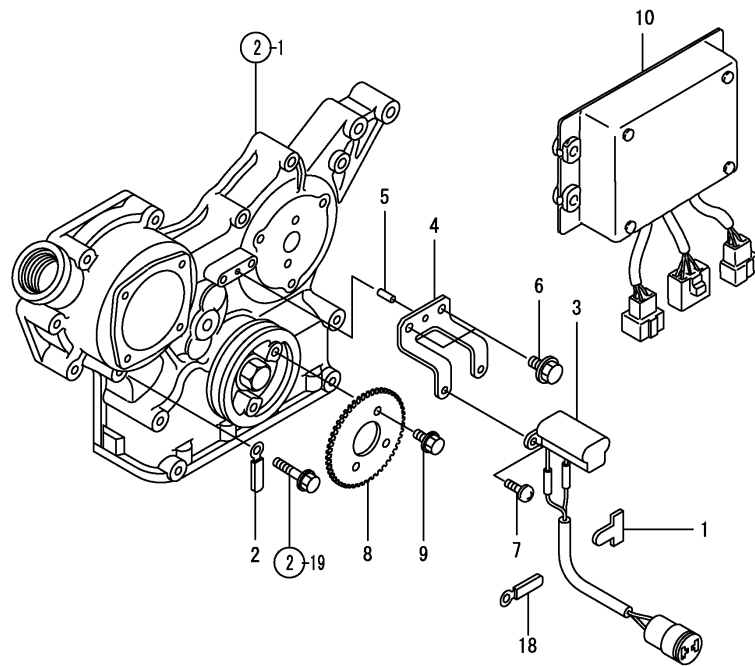


No.	Lev.	Parts No.	Description	Q'ty						I	R
				(A)	(B)	(C)	(D)	(E)	(F)		
1	1	171301-77201	DYNAMO ASSY, 15A	1							
2	2	XM08137	PLATE ASSY	1							
4	3	XM08180	STATOR ASSY	1							
5	3	XM27436	BALL BEARING	1							
6	3	XM17878	COUPLER	1							
7	3	XM36410	CLAMP	1							
8	3	26022-040252	SCREW, M4X25	2							
9	3	XYSPS4008	SCREW	1							
10	2	XM82184	FLYWHEEL ASSY	1							
16	2	106383-44720	SPACER	1							
17	2	106383-44730	WASHER	1							
18	2	22212-100000	SPRING WASHER 10	1							
19	2	26716-100002	NUT, M10	1							
20	2	XM61014	CAP	1							
21	1	129795-01900	STUD	1							
22	1	26366-100002	NUT, M10	1							
22-1	1	26306-100002	NUT, M10	1							R
(A=*2001.05)											
23	1	129400-77330	ADJUSTER	1							
23-1	1	129619-77330	ADJUSTER	1							N
(A=*1996.08)											
24	1	26014-080252	BOLT, M8X 25	1							
24-1	1	119810-77340	BOLT, ADJUSTER	1							N
(A=*1998.02)											

Fig.17. PULSER

(A)=4TNE88-DGD
(B)=
(C)=

(D)=
(E)=
(F)=

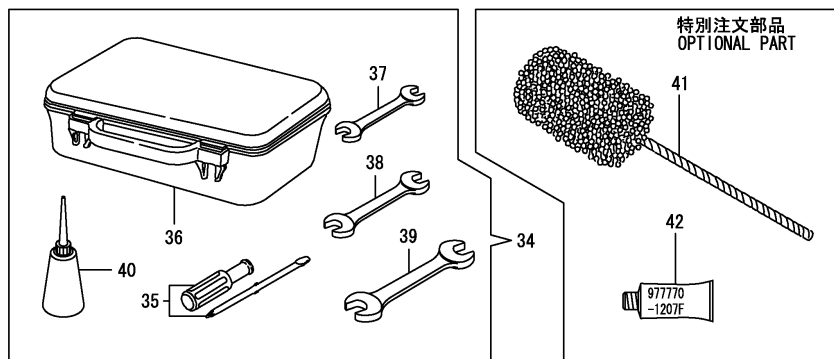
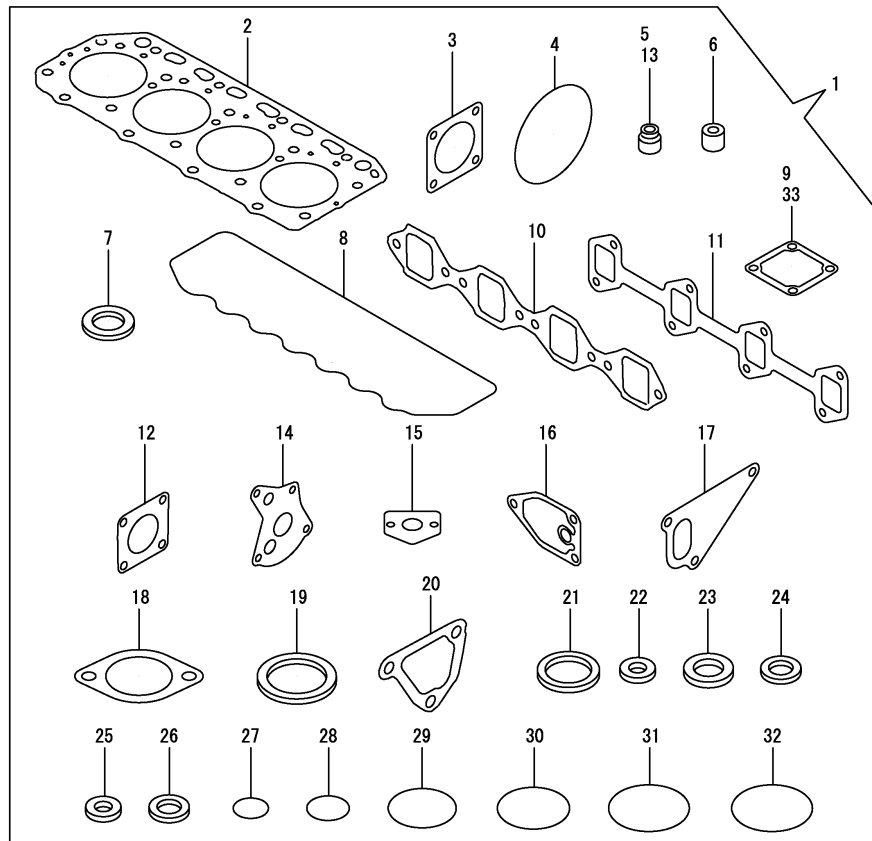


No.	Lev.	Parts No.	Description	Q'ty						I	R
				(A)	(B)	(C)	(D)	(E)	(F)		
1	1	172010-08160	STICKER, WIRE	1							
2	1	194180-51640	CLAMP, HARNESS	1							
3	1	119649-78500	PULSAR	1							
4	1	129116-78510	BRACKET, PULSAR	1							
5	1	22351-040010	PIN, SPRING 4.0X10	1							
6	1	26116-060122	BOLT, M6X 12 PLATED	2							
7	1	26557-040082	SCREW, M4X 8	2							
8	1	119649-78650	GEAR, PULSAR	1							
9	1	26106-100142	BOLT, M10X 14 PLATED	2							
10	1	129111-78802	CONTROLLER, MAIN 4P	1							
11	1	119247-77100	RELAY, SAFETY	1							
12	1	129132-77700	LIMITER, RS5136	1							
12-1	1	119233-77710	LIMITER, CURRENT	1							N
		(A=*1997.12)									
12-3	1	119233-77711	LIMITER, CURRENT	1							N
		(A=*2005.10)									
12-4	1	119233-77712	LIMITER, CURRENT 15A	1							S
		(A=*2009.03)									
13	1	121522-77721	INDICATOR	1							
13-1	1	119653-77720	DUMMY, UNIT	1							N
		(A=*1997.12)									
13-2	1	119653-77720	DUMMY, UNIT	1							Z
		(A=*2001.03)									
14	1	128300-77920	TIMER	1							
15	1	119140-78811	CONTROLLER, SUB	1							
16	1	121400-91251	SWITCH, STARTER	2							
17	2	121400-91271	KEY, SWITCH	2							
18	1	194440-51620	CLAMP	1							

Fig.18. GASKET SET

(A)=4TNE88-DGD
(B)=
(C)=

(D)=
(E)=
(F)=



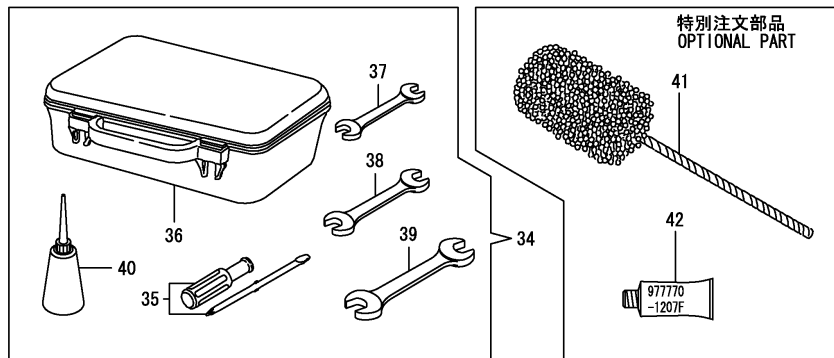
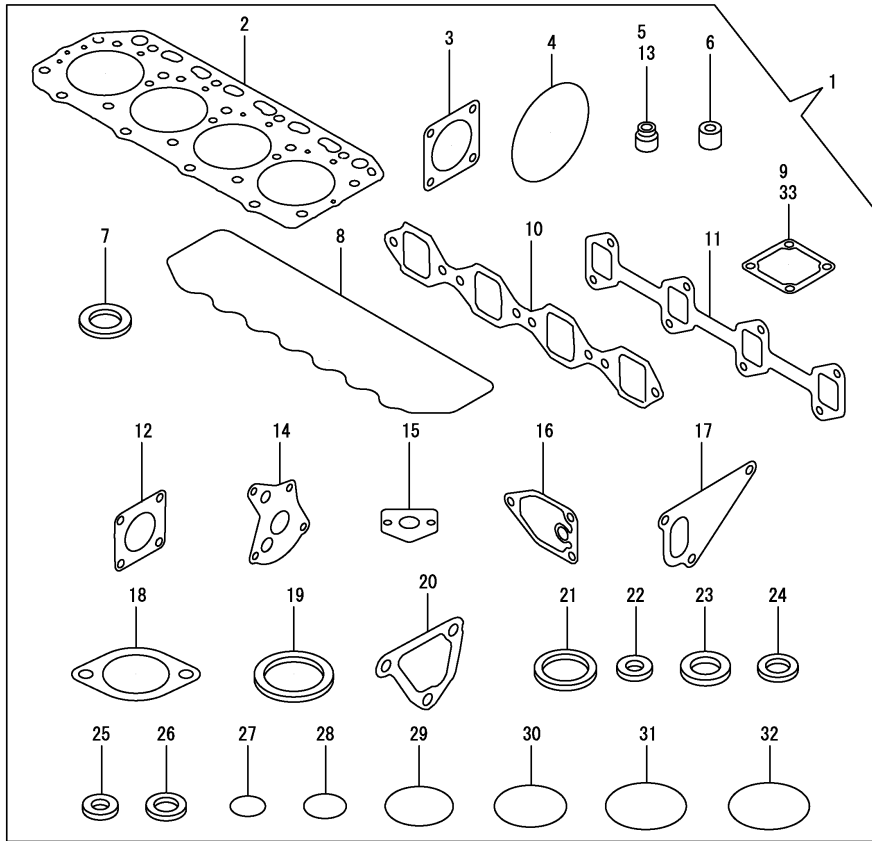
No.	Lev.	Parts No.	Description	Q'ty						I	R
				(A)	(B)	(C)	(D)	(E)	(F)		
1	1	729407-92620	GASKET SET	1							1
1-1	1	729407-92621	GASKET SET	1							1
2	2	129407-01340	GASKET, HEAD								
3	2	124240-01883	GASKET	1							
4	2	121850-51960	O-RING	1							
5	2	124460-11340	SEAL, VALVE STEM	4							
6	2	119625-11871	PROTECTOR, NOZZLE	4							
6-1	2	119625-11870	PROTECTOR, NOZZLE	4							N
(A=*1997.08)											
7	2	119625-11880	SEAT, NOZZLE	4							
8	2	129550-11310	GASKET, BONNET	1							
9	2	129150-77511	GASKET	1							
10	2	129550-12111	GASKET, MANIFOLD	1							
10-1	2	129550-12112	GASKET, MANIFOLD	1							S
(A=*2004.06)											
11	2	129550-13110	GASKET	1							
12	2	129400-13201	GASKET, SILENCER	1							
13	2	121400-11340	SEAL, VALVE STEM	4							
14	2	129150-32020	GASKET, PUMP	1							
15	2	129150-35041	GASKET	1							
15-1	2	129150-35042	GASKET	1							S
(A=*2004.06)											
16	2	129150-35111	GASKET	1							
17	2	129100-42020	GASKET, WATER PUMP	1							
18	2	129795-49551	GASKET	1							
19	2	129150-49811	GASKET, THERMOSTAT	1							
20	2	129100-49840	GASKET	1							
21	2	129155-52050	GASKET	1							
21-1	2	129155-52051	GASKET	1							N
(A=*2003.07)											
22	2	104200-59170	GASKET, 12	2							
22-1	1	22190-120002	WASHER, SEAL 12	2							N
(A=*1998.08)											
23	2	22190-080002	WASHER, SEAL 6	7							
24	2	23414-100000	GASKET, 10X1.0	2							
25	2	124465-44950	GASKET, 16	2							
26	2	23414-120000	GASKET, 12X1.0	2							
26-1	1	22190-120002	WASHER, SEAL 12	2							N
(A=*1999.07)											
27	2	24311-000120	O-RING, 1AP12.0	3							
28	2	24311-000160	O-RING, 1AP16.0	3							
29	2	24311-000320	O-RING, 1AP32.0	2							
30	2	24341-000240	O-RING, 1AS24.0	1							
31	2	24341-000500	O-RING, 1AS50.0	1							
32	2	24321-000650	O-RING, 1AG65.0	1							
33	2	129100-77510	GASKET, AIR HEATER	1							
34	1	171001-93100	BOX, TOOL	1							
35	2	104200-92350	DRIVER, SCREW	1							
36	2	104200-92600	BOX, TOOL	1							
37	2	28110-100120	SPANNER, 10X12	1							
38	2	28110-140170	SPANNER, 14X17	1							

Remarks
(1) OPTIONAL PART.

Fig.18. GASKET SET

(A)=4TNE88-DGD
(B)=
(C)=

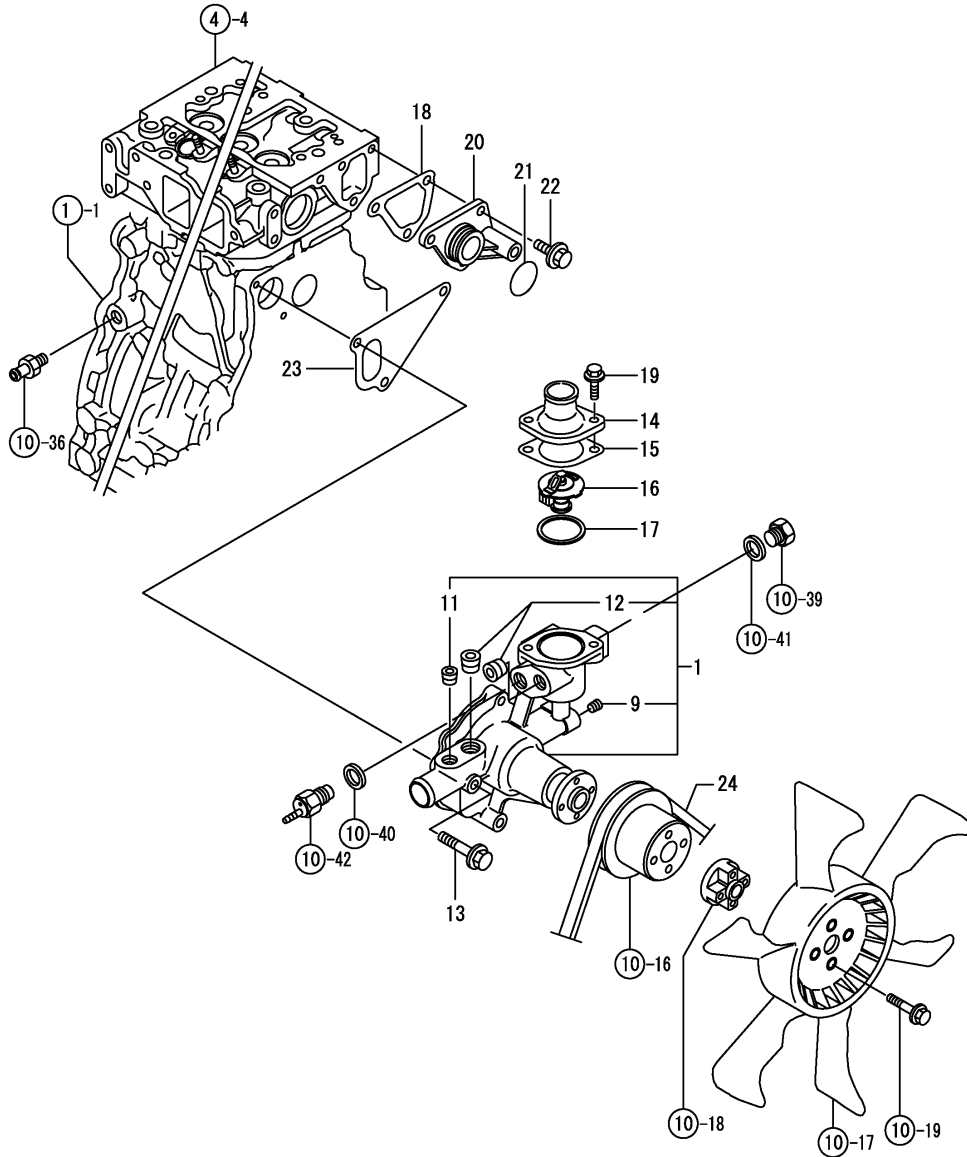
(D)=
(E)=
(F)=



No.	Lev.	Parts No.	Description	Q'ty						I	R
				(A)	(B)	(C)	(D)	(E)	(F)		
39	2	28110-190220	SPANNER, 19X22	1							
40	2	28210-000140	OILER	1							
41	1	129400-92420	FLEX HORN	1							1
42	1	977770-1207F	GASKET.LIQUID	1							1

Remarks
(1) OPTIONAL PART.

Fig.19. COOLING WATER SYSTEM(NEW)



(A)=4TNE88-DGD
(B)=
(C)=

(D)=
(E)=
(F)=

No.	Lev.	Parts No.	Description	Q'ty						I	R
				(A)	(B)	(C)	(D)	(E)	(F)		
1	1	129001-42004 (A=*2005.10)	PUMP ASSY, WATER	1							W
9	2	23876-010000	PLUG, R01	1							W
11	2	23876-020000	PLUG, R02	1							W
12	2	129916-49740	PLUG, R03	2							W
13	1	26106-080602	BOLT, M8X 60 PLATED	3							W
14	1	129350-49560	COVER, THERMOSTAT	1							W
15	1	129795-49551	GASKET	1							W
17	1	129150-49811	GASKET, THERMOSTAT	1							W
19	1	26106-080202	BOLT, M8X 20 PLATED	2							W
20	1	129001-42040	JOINT	1							W
24	1	25132-003800	V-BELT, A38	1							W

Fig.20. STARTING MOTOR(NEW)

(A)=4TNE88-DGD

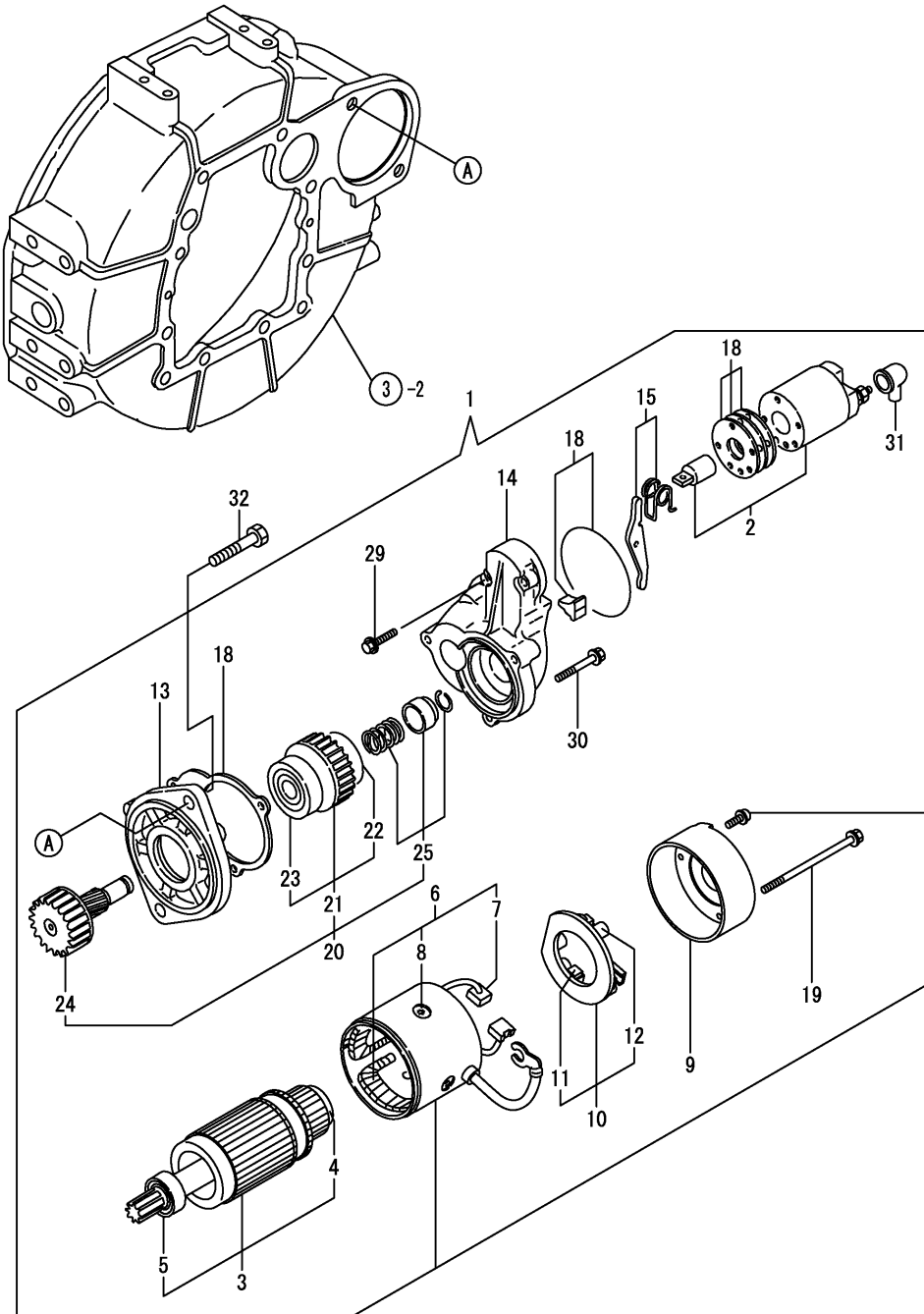
(B)=

(C)=

(D)=

(E)=

(F)=



No.	Lev.	Parts No.	Description	Q'ty						I	R
				(A)	(B)	(C)	(D)	(E)	(F)		
1	1	129136-77011	STARTER	1							W
2	2	129136-77310	SWITCH ASSY	1							W
3	2	129900-77400	ARMATURE ASSY	1							W
4	3	X2130350900	BALL BEARING	1							W
5	3	X2114255110	BEARING, BALL	1							W
6	2	129900-77440	COIL ASSY, FIELD	1							W
7	3	129900-77450	BRUSH (+)	2							W
8	3	171008-77450	SCREW	4							W
9	2	129900-77460	COVER, REAR	1							W
10	2	129900-77480	HOLDER ASSY, BRASH	1							W
11	3	129900-77500	BRASH (-)	2							W
12	3	129400-77490	SPRING, BRUSH	4							W
13	2	171008-77510	HOUSING ASSY, GEAR	1							W
14	2	129136-77520	CENTER HOUSING	1							W
15	2	171008-77540	LEVER SET, SHIFT	1							W
18	2	129400-77571	DUST COVER,(NON-ASB.	1							W
19	2	129900-77640	BOLT, THROUGH	2							W
20	2	171008-77650	PINION ASSY	1							W
21	3	X2114555500	CLUTCH ASSY	1							W
22	4	X2114955020	BALL BEARING	1							W
23	4	X2240410100	BEARING, BALL	1							W
24	3	171008-77660	SHAFT, PINION	1							W
25	3	171008-77670	STOPPER SET, PINION	1							W
29	2	26106-060322	BOLT, M6X 32 PLATED	2							W
30	2	26106-060402	BOLT, M6X 40 PLATED	3							W
31	2	171008-77750	COVER, M TERMINAL	1							W
32	1	26116-120252	BOLT, M12X 25 PLATED	2							W

Parts No. Index

Parts No.	Fig. No.	Ref. No.
101304-59020	14	33
101720-55750	14	26
102103-55520	14	21
103854-39140	14	32
104200-55321	14	2
		17
104200-55330	14	3
		18
104200-55341	14	19
104200-55750	14	10
		27
104200-59170	14	38
	18	22
104200-92350	18	35
104200-92600	18	36
104407-44480	5	3
105025-59510	14	37
105025-59530	13	56
	14	40
		48
105582-59540	14	43
106383-44720	16	16
106383-44730	16	17
110250-55610	14	22
114250-39450	9	29 -1
114250-53080	13	5
114250-53120	13	9
114250-53130	13	10
114250-53140	13	11
114250-53210	13	12
114250-53400	13	13
119131-18320	6	7 -1
119140-78811	17	15
119233-77710	17	12 -1
119233-77711	17	12 -3
119233-77712	17	12 -4
119247-77100	17	11
119259-44570	10	49 -1
119609-32040	2	13 -1
119620-01750	3	3
119625-11870	4	29 -1
	18	6 -1
119625-11871	4	29
	18	6
119625-11880	4	28
	18	7
119625-11900	4	27
119640-01640	3	9 -1
119649-61100	12	3
119649-61151	12	8

Parts No.	Fig. No.	Ref. No.
119649-78500	17	3
119649-78650	17	8
119653-77720	17	13 -1
		13 -2
119717-51420	11	84 -1
119802-11280	4	41 -1
119803-53400	13	13 -1
119810-53000	13	2
119810-77340	16	24 -1
119813-59950	13	46 -1
119840-59500	13	42 A
119840-59560	13	43
119840-59570	13	44
120130-11860	4	11
121023-01550	2	25
121023-01551	2	25 -1
121111-21501	8	12
121120-12531	5	13
121120-12541	5	14
121120-12561	5	15
121120-12571	5	16
121120-12901	5	17
121250-44901	10	42
121250-59550	13	42
121252-12502	5	11
121252-12503	5	11 -1
121252-12521	5	12
121256-44600	10	53
121257-55720	14	23
121257-55731	14	24
121400-11340	4	22
	18	13
121400-91251	17	16
121400-91271	17	17
121450-01560	2	6
121450-42450	10	39
121470-44540	10	50
121520-34810	9	39
121522-77721	17	13
121550-23200	8	31
121550-49111	10	36
121850-11860	10	1
121850-21680	8	11
121850-51960	2	12
	18	4
122117-51560	11	48
122710-51090	11	10
123900-13610	6	5 -1
123900-13630	6	4 -1
124060-77680	14	45

Parts No.	Fig. No.	Ref. No.
124064-55510	14	20
124066-59100	13	41
		42 B
	14	14
124070-59130	14	42
124160-01751	2	7
	4	46
124160-01910	1	5
		6
124160-11360	4	56
124160-39140	9	30
124160-39450	9	29
124240-01871	2	8
124240-01883	2	9
	18	3
124250-77012	15	1
124250-77070	15	2
124250-77110	15	6
124250-77120	15	7
124250-77130	15	8
124250-77140	15	9
124250-77150	15	10
124250-77160	15	11
124250-77170	15	12
124250-77180	15	13
124250-77190	15	14
124250-77210	15	16
124250-77220	15	17
124250-77230	15	18
124250-77240	15	19
124250-77270	15	22
124250-77310	15	26
124250-77320	15	27
124250-77500	15	28
124250-77510	15	29
124250-77520	15	15
124450-44510	10	43
124450-44530	10	45
124450-44550	10	51
124450-44560	10	46
124450-44590	10	49
124460-11340	4	23
	18	5
124465-44950	10	40
		41
	18	25
124550-21600	8	16
124550-51350	11	32
124550-51370	11	33
124550-59820	9	35

Parts No.	Fig. No.	Ref. No.
124550-59830	9	34 A
124736-07900	4	5
124766-59050	13	55
	14	34
		35
		36
		38 B
		41
		47
124770-11770	10	23
124936-59090	14	43 -1
124950-51190	11	17
128300-77920	17	14
129001-01250	1	12 -1
129001-02931	1	18 D
129001-22081	8	18
129001-22500	8	20
129001-22901	8	34
129001-22950	8	36
129001-35300	9	25
129001-42001	10	2 -1
129001-42002	10	2 -2
129001-42003	10	2 -3
129001-42004	19	1
129001-42040	19	20
129100-01580	3	1
		15
	8	2
129100-01640	3	16
129100-11100	4	17
129100-11110	4	18
129100-11111	4	18 -1
129100-11112	4	18 -2
129100-11650	4	37
129100-23910	8	30
129100-25061	7	9
129100-42002	10	2
129100-42020	10	13
	18	17
129100-49800	10	22
129100-49820	10	25
129100-49830	10	26
129100-49840	10	31
	18	20
129100-51300	11	27
129100-51560	11	49 -1
129100-51570	11	48 -1
129100-52100	11	92
129100-52101	11	92 -1
129100-55621	14	1

Parts No. Index

Parts No.	Fig. No.	Ref. No.
129100-55650	14	4
129100-55670	14	6
129100-55680	14	7
129100-55690	14	8
129100-55700	14	9
129100-59951	13	46
129100-77500	5	5
129100-77510	5	6
	18	33
129111-78802	17	10
129116-61051	12	2
129116-61110	12	6
129116-61120	12	7
129116-61121	12	7 -1
129116-78510	17	4
129132-49050	10	37
129132-77700	17	12
129136-77011	20	1
129136-77310	20	2
129136-77520	20	14
129150-01200	1	24
129150-02020	1	8
129150-02450	7	4
129150-02870	1	26
129150-02871	1	26 -1
129150-02930	1	19
129150-02931	1	19 -1
129150-02940	1	29
129150-02941	1	29 -1
129150-03020	4	47
129150-03070	4	48
129150-03080	4	49
129150-03100	2	11
129150-11230	4	38
129150-11280	4	33
129150-11370	4	24
129150-11750	4	40
129150-11810	4	13
129150-14101	7	7
129150-14200	7	1
129150-14400	7	2
129150-21200	8	5
129150-23600	8	32
129150-23601	8	32 -1
129150-23610	8	40
129150-23611	8	40 -1
129150-25101	7	10
129150-25900	7	15
129150-25920	7	13
129150-32020	9	14

Parts No.	Fig. No.	Ref. No.
129150-32020	18	14
129150-35041	9	16
	18	15
129150-35042	9	16 -1
	18	15 -1
129150-35101	9	22
129150-35111	9	23
	18	16
129150-35153	9	24 A
129150-35350	9	26
129150-49811	10	30
	18	19
	19	17
129150-59120	13	20
129150-59131	13	23
		23 -1
129150-59580	13	45
	14	15
129150-77511	5	7
	18	9
129155-11260	4	31
129155-11270	4	32
129155-42350	10	16
129155-49800	10	29
129155-51020	11	5
129155-51050	11	8
129155-51051	11	8 -1
129155-51060	11	9
129155-51140	11	14
129155-51180	11	16
129155-51200	11	18
129155-51270	11	25
129155-51280	11	26
129155-51320	11	30
129155-51340	11	31
129155-51370	11	34
129155-51380	11	35
129155-51390	11	36
129155-51410	11	38
129155-51420	11	39
129155-51450	11	40
129155-51521	11	46
129155-51550	11	47
129155-51570	11	50
129155-51580	11	51
129155-51600	11	52
129155-51790	11	75
129155-51930	11	77
129155-51940	11	78
129155-52050	11	91

Parts No.	Fig. No.	Ref. No.
129155-52050	18	21
129155-52051	11	91 -1
	18	21 -1
129156-51910	11	76
129202-22300	8	24
129210-59040	14	38 A
129210-59150	13	54 A
	14	46
129335-55700	14	16
129350-49530	10	20
129350-49560	19	14
129400-01520	2	5
129400-01730	3	6
129400-01770	3	8
129400-11350	4	45
129400-12100	5	1
129400-13101	6	1
129400-13201	6	6
	18	12
129400-59910	13	25
129400-59920	13	29
129400-59930	13	33
129400-59940	13	37
129400-77330	16	23
129400-77490	20	12
129400-77571	20	18
129400-92420	18	41
129403-44740	10	17
129407-01340	1	25
	18	2
129407-11700	4	7
129407-21000	8	1
129407-21100	8	1 -1
129407-32000	9	1
129409-59810	13	25 -1
129409-59820	13	29 -1
129409-59830	13	33 -1
129409-59840	13	37 -1
129410-03100	4	1
129410-03990	4	58
129411-44560	10	52
129436-35070	9	17 -2
129436-35090	9	17
129436-35091	9	17 -1
129461-59580	14	44
129470-51040	11	6
129486-01670	3	19 -1
129500-11240	4	30
129506-51100	11	11
129550-11290	4	34

Parts No.	Fig. No.	Ref. No.
129550-11310	4	52
	18	8
129550-12111	5	2
	18	10
129550-12112	5	2 -1
	18	10 -1
129550-13110	6	2
	18	11
129550-21650	8	9
129550-39450	9	31
129555-51400	11	37
129555-51500	11	45
129555-51700	11	71
129555-51701	11	71 -1
129555-51710	11	72
129555-51711	11	72 -1
129555-51750	11	73
129555-51751	11	73 -1
129555-51760	11	74
129555-51761	11	74 -1
129555-59510	14	39
129604-07900	4	5 -1
129611-61100	12	3 -1
129619-21590	8	13
129619-51100	11	11 -1
129619-77330	16	23 -1
129688-01780	3	8 -1
129795-01780	3	18
129795-01800	2	4
129795-01900	16	21
129795-01950	2	10
129795-02411	1	22
129795-02412	1	22 -1
129795-11120	4	19
129795-11180	4	20
129795-21661	8	10
129795-49551	10	21
	18	18
	19	15
129900-07900	4	5 -2
129900-77400	20	3
129900-77440	20	6
129900-77450	20	7
129900-77460	20	9
129900-77480	20	10
129900-77500	20	11
129900-77640	20	19
129916-49740	19	12
158600-51170	11	15 -1
158600-51410	11	38 -1

Parts No. Index

Parts No.	Fig. No.	Ref. No.
158600-51420	11	39 -1
171001-93100	18	34
171002-12560	5	18
171008-77450	20	8
171008-77510	20	13
171008-77540	20	15
171008-77650	20	20
171008-77660	20	24
171008-77670	20	25
171008-77750	20	31
171051-01921	1	7
171081-55910	14	28
171301-01640	3	9
171301-77201	16	1
171340-77520	5	8
171353-44760	10	18
171420-34820	9	38
171420-49010	10	54
171420-49020	10	55
171440-01600	3	2
171460-44500	10	48
171460-44560	10	48 A
172010-08160	17	1
174307-51170	11	15
174307-51560	11	49
194180-51640	17	2
194440-51620	17	18
194990-22050	6	3
22117-040000	12	9
22190-080002	2	23
		24
	9	36
		36 -1
		36 A
	18	23
22190-100002	9	37 -1
22190-120002	13	54 -1
	14	38 -1
	18	22 -1
		26 -1
22190-160002	11	79
22190-220002	3	11 -1
22212-100000	16	18
22217-050000	11	80
22217-060000	11	81
22217-120000	7	16
22252-000260	8	25
22351-040010	8	8
	12	10
	17	5

Parts No.	Fig. No.	Ref. No.
22351-050010	11	82
22351-060012	4	25
22360-050000	12	11
22512-070140	7	8
	8	6
23000-016000	10	38
23010-038000	10	56
23061-070230	10	47
23414-100000	9	37
	18	24
23414-120000	13	54
	18	26
23418-060000	14	29
23871-010000	1	11
23871-030000	1	15
	10	12
		12 -1
		27
23876-010000	1	11 -1
	19	9
23876-020000	19	11
23876-030000	1	15 -1
	10	12 -2
		12 -3
24101-063034	11	83
24107-060034	8	17
24311-000120	4	57
	18	27
24311-000160	2	13
	9	27
	14	11
	18	28
24311-000320	2	14
	4	53
	18	29
24311-240100	14	12
		30
24316-000150	11	33 -1
24321-000650	14	13
	18	32
24341-000160	11	84
24341-000240	2	26
	18	30
24341-000250	3	11
24341-000500	4	54
	18	31
25132-003700	10	15
25132-003800	19	24
26014-080252	16	24
26014-080702	14	31

Parts No.	Fig. No.	Ref. No.
26022-040252	16	8
26022-050102	11	85
26022-050122	11	85 -1
26022-060162	11	86
26106-060122	2	27
26106-060162	2	27 -1
26106-060202	12	12
26106-060222	12	13
26106-060322	20	29
26106-060352	10	19
26106-060402	20	30
26106-060452	12	14
26106-060602	12	15
26106-060702	12	16
26106-060852	12	17
26106-080122	2	15
26106-080142	1	23 -1
	4	6
26106-080162	1	23
	2	16
		17
	3	12
	4	55
26106-080202	2	18
	9	28
	10	32
	19	19
26106-080252	3	13
	4	43
	10	33
26106-080302	3	19
26106-080352	3	20
	5	4
	9	21
26106-080402	5	9
26106-080452	2	19
	3	14
		14 -1
	7	14
26106-080502	3	14 A
	4	44
	10	34
26106-080552	2	20
	9	21 -1
26106-080602	10	14
		35
	19	13
26106-080802	5	10
	6	4
26106-080852	2	21

Parts No.	Fig. No.	Ref. No.
26106-100142	17	9
26116-050302	11	87
26116-060122	17	6
26116-060162	10	28
26116-120252	15	34
	20	32
26206-100252	3	4
26206-100302	3	5
26216-060202	4	15
26216-080222	6	7
26216-080802	6	5
26226-080182	4	41
26306-080002	2	22 -1
	6	3 -2
26306-100002	16	22 -1
26366-060002	4	26
26366-080002	2	22
	6	3 -1
26366-100002	16	22
26450-060252	9	15
26557-040082	17	7
26557-040122	15	33
26716-060002	11	88
26716-100002	16	19
26716-120002	7	17
26756-080002	4	42
27231-500000	1	12
27241-120000	1	13
27241-300000	1	14
27241-400000	4	16
27310-080001	4	21
28110-100120	18	37
28110-140170	18	38
28110-190220	18	39
28210-000140	18	40
719810-01500	2	1
719810-53100	13	1
729402-14580	7	3
729402-23100	8	26
729407-01561	1	1
729407-92620	18	1
729407-92621	18	1 -1
729619-51200	11	1
977770-1207F	18	42
X2114255110	20	5
X2114555500	20	21
X2114955020	20	22
X2130350900	20	4
X2240410100	20	23
XM08137	16	2

Parts No. Index

Parts No.	Fig. No.	Ref. No.
XM08180	16	4
XM17878	16	6
XM27436	16	5
XM36410	16	7
XM61014	16	20
XM82184	16	10
XYSPS4008	16	9

Parts No.	Fig. No.	Ref. No.
-----------	----------	----------

Parts No.	Fig. No.	Ref. No.
-----------	----------	----------

Parts No.	Fig. No.	Ref. No.
-----------	----------	----------