

0CD10-M56200EN

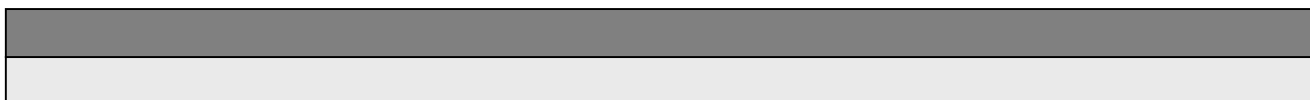
PREFACE

1. This Parts Catalog is the 1st edition of 3TNE84-YW Diesel Engine for ISEKI NOHKI.

Pub. No. : 000Y00D5620
Published : September, 1995

2. Model name

Engine model	Vehicle		Vehicle made by
	Products	Model name	
3TNE84-YW	WHEEL LOADER	—	ISEKI NOHKI



Directions for the Parts Catalog.

1. The parts stipulated in this Parts Catalog are not necessarily standard equipped parts.
2. Parts may change without prior notice.
3. The following is an example of the Parts Catalog format.

REF.	LEV.	PARTS NO.	DESCRIPTION	Q'TY						I	R
				(A)	(B)	(C)	(D)	(E)	(F)		
1	1	729595-51390	FUEL INJECTION PUMP	1	1	1	1	1			1
1-1	1	729595-51391	FUEL INJECTION PUMP	1	1	1	1	1		N	1
		(A=E00185) (B=E00200)									
3	2	26022-060162	SCREW M 6X 16	9	9	9	9	9			
3-1	2	26022-060162	SCREW M 6X 16	4	4	4	4	4		K	
		(A=E00156) (B=E00156) (C=E00156) (D=E00156) (E=E00156)									
4	2	129470-51040	CAMSHAFT	1	1	1	1	1			
5	2	122710-51050	BEARING, ROLLER	2	2	2	2	2			
6	2	129470-51060	RETAINER	1	1	1	1	1			

Remarks
(1) BOOST COMPEMSATOR TYPE. OPTIONAL PART, TO E00155,(4JH-DT, 4JH-DTZ

① Ref. No.

The Ref. No. listed may not be in accordance with the illustration Ref. No.

(Ex.) Illustration No.

List Ref No.

1

1

(Before change)

1-1

(After change)

For interchangeable symbols N, R and K, illustrations for new parts may be abbreviated.

② Lev. (Level)

Level indication

The numbers below indicate the level of relativity towards the main part.

1 ----- Main parts (Assembly parts)

2 ----- Sub component included in " 1 ".

3 ----- Sub component included in " 2 ".

Note) Parts that are not for sale are partially illustrated but not listed.

③ Interchangeability Mark

When a part change takes place, one of the following interchangeability symbols is indicated beside the part.

Symbol	Interchangeability	Contents note
N	Old $\begin{matrix} \leftarrow \text{Yes} \\ \text{No} \rightarrow \end{matrix}$ New	New Part is interchangeable for Old Part but Old Part is not interchangeable for New Part.
Q	Old $\begin{matrix} \leftarrow \text{No} \\ \text{Yes} \rightarrow \end{matrix}$ New	New Part is not interchangeable for Old Part but Old Part is interchangeable for New Part.
R	Old $\begin{matrix} \leftarrow \text{Yes} \\ \text{Yes} \rightarrow \end{matrix}$ New	New/ Old Parts are both interchangeable.
S	Old $\begin{matrix} \leftarrow \text{No} \\ \text{No} \rightarrow \end{matrix}$ New	New/ Old Parts are both not interchangeable.
W		Part newly added.
Z		Part discontinued.
F		Not interchangeable by a single part but interchangeable together with related parts.
K		Changes only for used parts quantities.

④ Effective Machine No.

When a part changes, the effective Machine No. will be indicated in the (A)-(F) column.

Product Symbol	Product No.	Product Symbol	Product No.
C	Clutch No. Compressor No.	F	Machine No. (Agricultural Equip.)
D	Drive No.	M	Machine No.
E	Engine No.		

Note 1) A date may follow the symbol. (Ex.) 1996.01

Note 2) "XXXXX" and "ZZZZZ" are for parts that could not be predicted or for engine models that could not be identified.

Note 3) (A=E00185) is the E (Engine Serial Number) for the column (A) model (in this case 4JH-DT) after the parts design change.

⑤ Remarks Mark

Figures or alphabets (symbols) are entered in the remarks column.

The comments (remarks) on parts that are indicated at the bottom of the illustration are the same symbols as those stated above.

Contents

Fig. No. Fig. Name

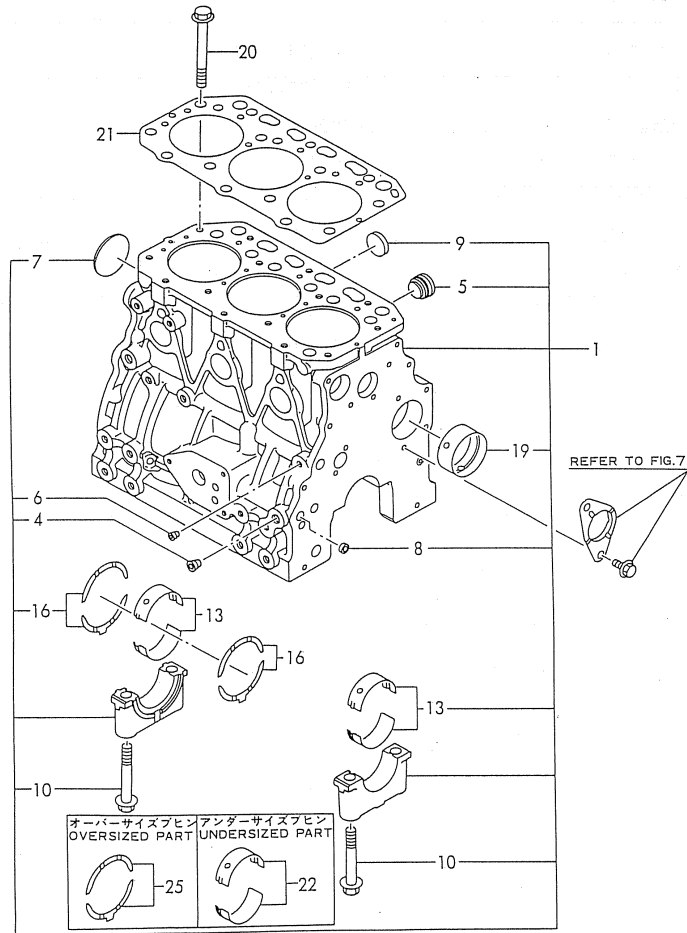
3TNE84-YW

1. CYLINDER BLOCK
2. GEAR HOUSING
3. MOUNTING FLANGE & L.O SUMP
4. CYLINDER HEAD & BONNET
5. SUCTION MANIFOLD & AIR CLEANER
6. EXHAUST MANIFOLD
7. CAMSHAFT & DRIVING GEAR
8. CRANKSHAFT & PISTON
9. LUB.OIL SYSTEM
10. COOLING WATER SYSTEM
11. FUEL INJECTION PUMP
12. FUEL INJECTION LINE
13. FUEL LINE
14. GOVERNOR
15. ENGINE STOP DEVICE
16. STARTING MOTOR
17. GENERATOR
18. GASKET SET(OPTIONAL) & TOOL

Fig. No. Fig. Name

Fig.1. CYLINDER BLOCK

Y00D5620



(A)=3TNE84-YW

(B)=

(C)=

(D)=

(E)=

(F)=

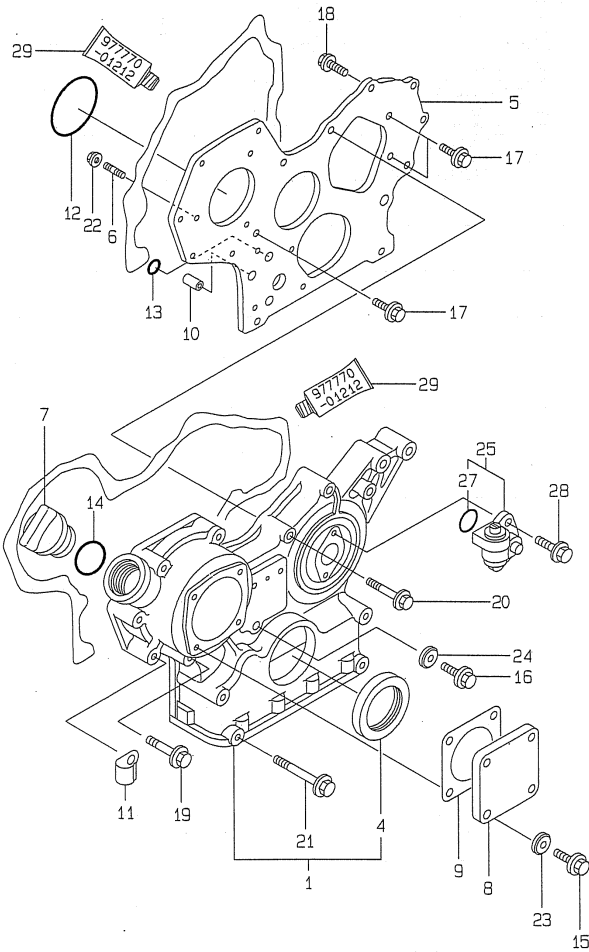
No.	Lev.	Parts No.	Description	Q'ty						I	R
				(A)	(B)	(C)	(D)	(E)	(F)		
1	1	729002-01560	BLOCK ASSY, CYLINDER	1							
4	2	124160-01910	PLUG, PT1/4	3							
5	2	171051-01921	PLUG, NPTF1	1							
6	2	23871-010000	PLUG, R01	1							
7	2	27231-500000	PLUG 50	1							
8	2	27241-120000	PLUG, 12	2							
9	2	27241-300000	PLUG 30	6							
10	2	129150-02020	BOLT, METAL CAP	8							
13	2	129001-02800	BEARING, MAIN	4							
16	2	129150-02930	BEARING, THRUST	2							
19	2	129795-02411	BUSH, CAMSHAFT	1							
20	1	129150-01200	BOLT, HEAD	14							
21	1	129002-01331	GASKET, HEAD	1							
22	1	129150-02870	BEARING, 0.25 US	4							1
25	1	129150-02940	BEARING, THRUST 0.25	2							2

Remarks

- (1) UNDER-SIZE(U.S=0.25)PART.
- (2) OVER-SIZE(O.S=0.25)PART.

Fig.2. GEAR HOUSING

Y00D5620
3TNE84-YW



(A)=3TNE84-YW

(B)=

(C)=

(D)=

(E)=

(F)=

No.	Lev.	Parts No.	Description	Q'ty						I	R
				(A)	(B)	(C)	(D)	(E)	(F)		
1	1	719810-01500	CASE ASSY, GEAR	1							
4	2	129795-01800	SEAL, OIL	1							
5	1	129400-01520	FLANGE, GEAR CASE	1							
6	1	121450-01560	STUD, M8X22	3							
7	1	124160-01751	COVER, FILLER	1							
8	1	124240-01871	COVER	1							
9	1	124240-01883	GASKET	1							
10	1	129795-01950	PIPE, KNOCK L=18	2							
11	1	129150-03100	RETAINER, PIPE	1							
12	1	121850-51960	O-RING	1							
13	1	24311-000160	O-RING, 1AP16.0	2							
14	1	24311-000320	O-RING, 1AP32.0	1							
15	1	26106-080122	BOLT, M8X 12 PLATED	4							
16	1	26106-080162	BOLT, M8X 16 PLATED	1							
17	1	26106-080162	BOLT, M8X 16 PLATED	3							
18	1	26106-080202	BOLT, M8X 20 PLATED	2							
19	1	26106-080452	BOLT, M8X 45 PLATED	6							
20	1	26106-080552	BOLT, M8X 55 PLATED	3							
21	1	26106-080852	BOLT, M8X 85 PLATED	4							
22	1	26366-080002	NUT, M8	3							
23	1	22190-080002	WASHER, SEAL 6	4							
24	1	22190-080002	WASHER, SEAL 6	1							
25	1	129150-91400	GEAR	1							
27	2	24341-000240	O-RING, 1AS24.0	1							
28	1	26106-060162	BOLT, M6X 16 PLATED	2							
29	1	977770-01212	GASKET, LIQUID	1							1

Remarks

(1) OPTIONAL PART.

N:Old $\xrightarrow{\text{Yes}}$ New, Q:Old $\xrightarrow{\text{No}}$ New, R:Old $\xrightarrow{\text{Yes}}$ New, S:Old $\xrightarrow{\text{No}}$ New, W:Add, Z:Discontinued, F:Interchangeable by set, K:Q'ty Change

Fig.3. MOUNTING FLANGE & L.O SUMP

(A)=3TNE84-YW

(B)=

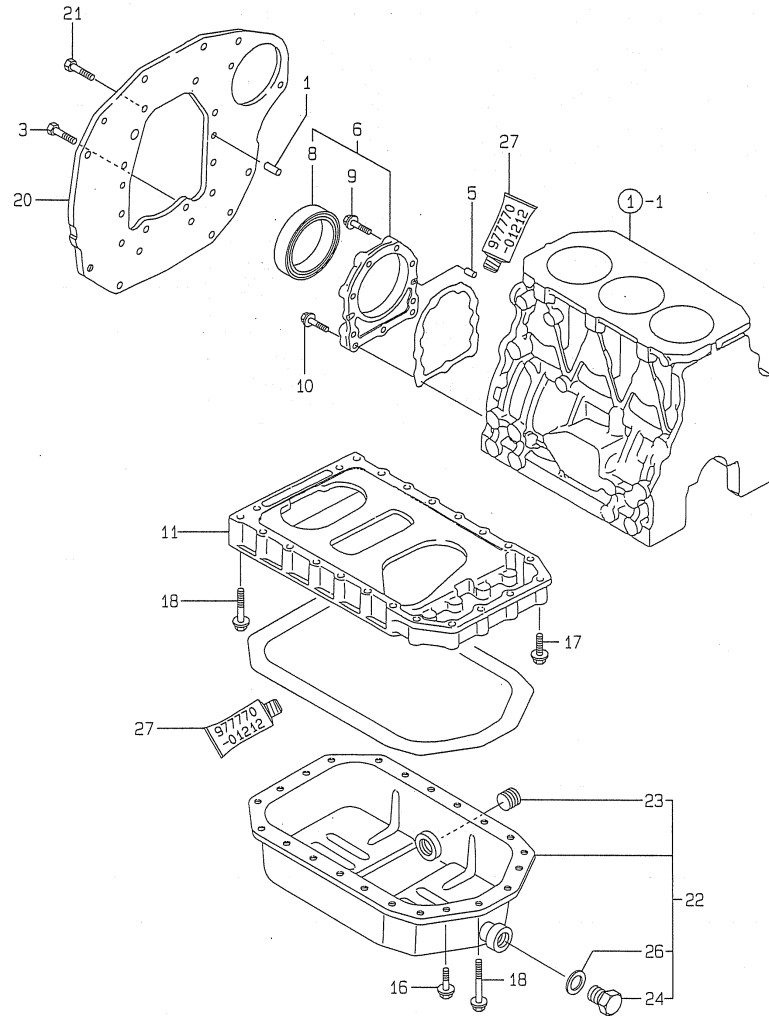
(C)=

(D)=

(E)=

(F)=

Y00D5620
3TNE84-YW



No.	Lev.	Parts No.	Description	Q'ty						I	R
				(A)	(B)	(C)	(D)	(E)	(F)		
1	1	129100-01580	PIN, M8X16	2							
3	1	26206-100252	BOLT, M10X 25 PLATED	4							
5	1	129100-01580	PIN, M8X16	2							
6	1	129100-01640	CASE ASSY, OIL SEAL	1							
8	2	129795-01780	SEAL, OIL	1							
9	1	26106-080302	BOLT, M8X 30 PLATED	6							
10	1	26106-080352	BOLT, M8X 35 PLATED	3							
11	1	129100-01730	SPACER, OIL SUMP	1							
16	1	26106-080162	BOLT, M8X 16 PLATED	4							
17	1	26106-080252	BOLT, M8X 25 PLATED	2							
18	1	26106-080452	BOLT, M8X 45 PLATED	20							
20	1	129150-01600	FLANGE, MOUNTING	1							
21	1	26206-100202	BOLT, M10X 20 PLATED	6							
22	1	129112-01770	SUMP ASSY, OIL	1							
23	2	129137-01640	PLUG, M22	1							
24	2	105425-01690	PLUG, 16	1							
26	2	22190-160002	WASHER, SEAL 16	1							
27	1	977770-01212	GASKET, LIQUID	1							1

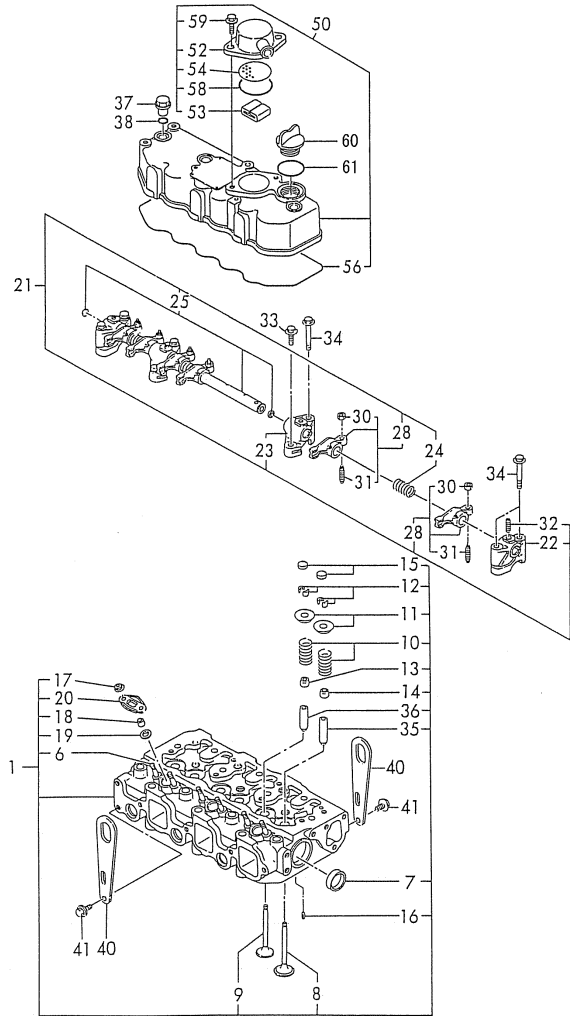
Remarks

(1) OPTIONAL PART.

N:Old $\xrightarrow{\text{Yes}}$ New, Q:Old $\xrightarrow{\text{No}}$ New, R:Old $\xrightarrow{\text{Yes}}$ New, S:Old $\xrightarrow{\text{No}}$ New, W:Add, Z:Discontinued, F:Interchangeable by set, K:Q'ty Change

Fig.4. CYLINDER HEAD & BONNET

Y00D5620



(A)=3TNE84-YW

(B)=

(C)=

(D)=

(E)=

(F)=

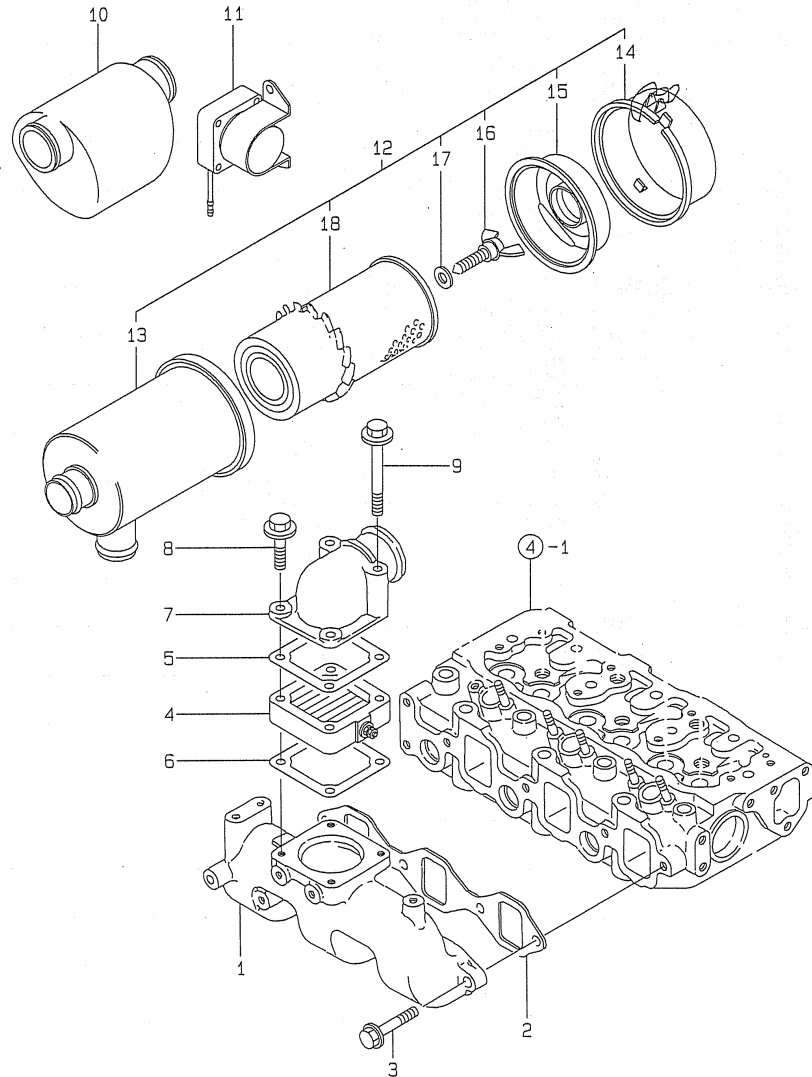
No.	Lev.	Parts No.	Description	Q'ty						I	R
				(A)	(B)	(C)	(D)	(E)	(F)		
1	1	129001-11700	HEAD ASSY, CYLINDER	1							
6	2	26216-060202	STUD, M6X 20	6							
7	2	27241-400000	PLUG, 40	2							
8	2	129100-11100	VALVE, INTAKE	3							
9	2	129100-11110	VALVE, EXHAUST	3							
10	2	129795-11120	SPRING, VALVE	6							
11	2	129795-11180	RETAINER, SPRING	6							
12	2	27310-080001	COTTER, 8	6							
13	2	121400-11340	SEAL, VALVE STEM	3							
14	2	124460-11340	SEAL, VALVE STEM	3							
15	2	129150-11370	CAP, VALVE	6							
16	2	22351-060012	PIN, SPRING 6.0X12	2							
17	2	26366-060002	NUT, M6	6							
18	2	119625-11871	PROTECTOR, NOZZLE	3							
19	2	119625-11880	SEAT, NOZZLE	3							
20	2	119625-11900	RETAINER, NOZZLE	3							
21	1	129155-11241	SHAFT ASSY, ROCKER	1							
22	2	129155-11260	SUPPORT, ROCKER ARM	2							
23	2	129155-11270	SUPPORT, ROCKER ARM	2							
24	2	129150-11280	SPRING	3							
25	2	129150-11290	SHAFT, ROCKER ARM	1							
28	2	729402-11650	ARM ASSY, ROCKER	6							
30	3	129150-11750	NUT, M8	6							
31	3	129150-11230	SCREW, VALVE ADJUST	6							
32	2	26226-080182	STUD, M8X 18	3							
33	1	26106-080252	BOLT, M8X 25 PLATED	2							
34	1	26106-080502	BOLT, M8X 50 PLATED	6							
35	1	120130-11860	GUIDE, VALVE	3							1
36	1	129150-11810	GUIDE, VALVE	3							1
37	1	124160-11360	KNOB	3							
38	1	24311-000120	O-RING, 1AP12.0	3							
40	1	124736-07900	LIFTER	2							
41	1	26106-080142	BOLT, M8X 14 PLATED	4							
50	1	129100-11350	BONNET ASSY, HEAD	1							
52	2	129150-03020	COVER, BREATHER	1							
53	2	129150-03070	BAFFLE, BREATHER	1							
54	2	129150-03080	PLATE, BAFFLE	1							
56	2	129150-11310	GASKET, BONNET	1							
58	2	24341-000500	O-RING, 1AS50.0	1							
59	2	26106-080162	BOLT, M8X 16 PLATED	2							
60	1	124160-01751	COVER, FILLER	1							
61	1	24311-000320	O-RING, 1AP32.0	1							

Remarks

(1) REPAIR PART.

Fig.5. SUCTION MANIFOLD & AIR CLEANER

Y00D5620
3TNE84-YW



(A)=3TNE84-YW

(B)=

(C)=

(D)=

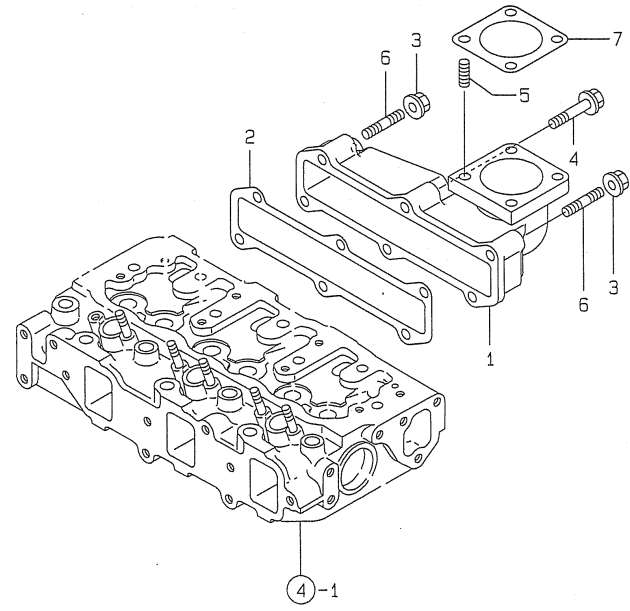
(E)=

(F)=

No.	Lev.	Parts No.	Description	Q'ty						I	R
				(A)	(B)	(C)	(D)	(E)	(F)		
1	1	129150-12100	MANIFOLD, AIR INTAKE	1							
2	1	129150-12111	GASKET, MANIFOLD	1							
3	1	26106-080252	BOLT, M8X 25 PLATED	4							
4	1	129100-77500	HEATER, AIR 12V	1							
5	1	129100-77510	GASKET, AIR HEATER	1							
6	1	129150-77511	GASKET	1							
7	1	171340-77520	BEND	1							
8	1	26106-080402	BOLT, M8X 40 PLATED	2							
9	1	26106-080802	BOLT, M8X 80 PLATED	2							
10	1	121855-12060	SILENCER ASSY	1							
11	1	129100-77910	RELAY, MAGNETIC	1							
12	1	121252-12502	CLEANER ASSY, AIR	1							
13	2	121252-12521	BODY, AIR CLEANER	1							
14	2	121120-12531	PAN, DUST	1							
15	2	121120-12541	RETAINER, ELEMENT	1							
16	2	121120-12561	BOLT	1							
17	2	121120-12571	WASHER, SEAL	1							
18	2	121120-12901	ELEMENT	1							

Fig.6. EXHAUST MANIFOLD

Y00D5620
3TNEB4-YW



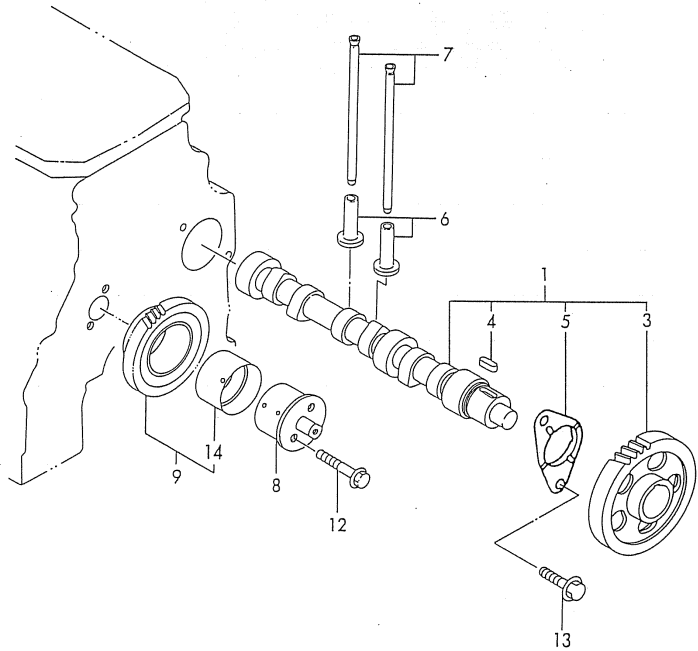
(A)=3TNE84-YW
(B)=
(C)=

(D)=
(E)=
(F)=

No.	Lev.	Parts No.	Description	Q'ty						I	R
				(A)	(B)	(C)	(D)	(E)	(F)		
1	1	129001-13100	MANIFOLD, EXHAUST	1							
2	1	129001-13110	GASKET	1							
3	1	194990-22050	NUT, M8	2							
4	1	26106-080402	BOLT, M8X 40 PLATED	4							
5	1	26216-080222	STUD, M8X 22	4							
6	1	26216-080402	STUD, M8X 40	2							
7	1	124701-11911	GASKET, SILENCER	1							

Fig.7. CAMSHAFT & DRIVING GEAR

Y00D5620



(A)=3TNE84-YW
(B)=
(C)=

(D)=
(E)=
(F)=

No.	Lev.	Parts No.	Description	Q'ty						I	R
				(A)	(B)	(C)	(D)	(E)	(F)		
1	1	129129-14580	CAMSHAFT ASSY	1							
3	2	129150-14101	GEAR, CAMSHAFT	1							
4	2	22512-070140	KEY, 7X 14	1							
5	2	129150-02450	BEARING, THRUST	1							
6	1	129150-14200	TAPPET	6							
7	1	129150-14400	ROD, PUSH L=178	6							
8	1	129100-25061	SHAFT, IDLE	1							
9	1	129150-25101	GEAR ASSY, IDLE	1							
12	1	26106-080452	BOLT, M8X 45 PLATED	2							
13	1	26106-080162	BOLT, M8X 16 PLATED	2							
14	1	129150-25920	BUSH, IDLE GEAR	1							1

Remarks
(1) REPAIR PART.

Fig.8. CRANKSHAFT & PISTON

(A)=3TNE84-YW

(B)=

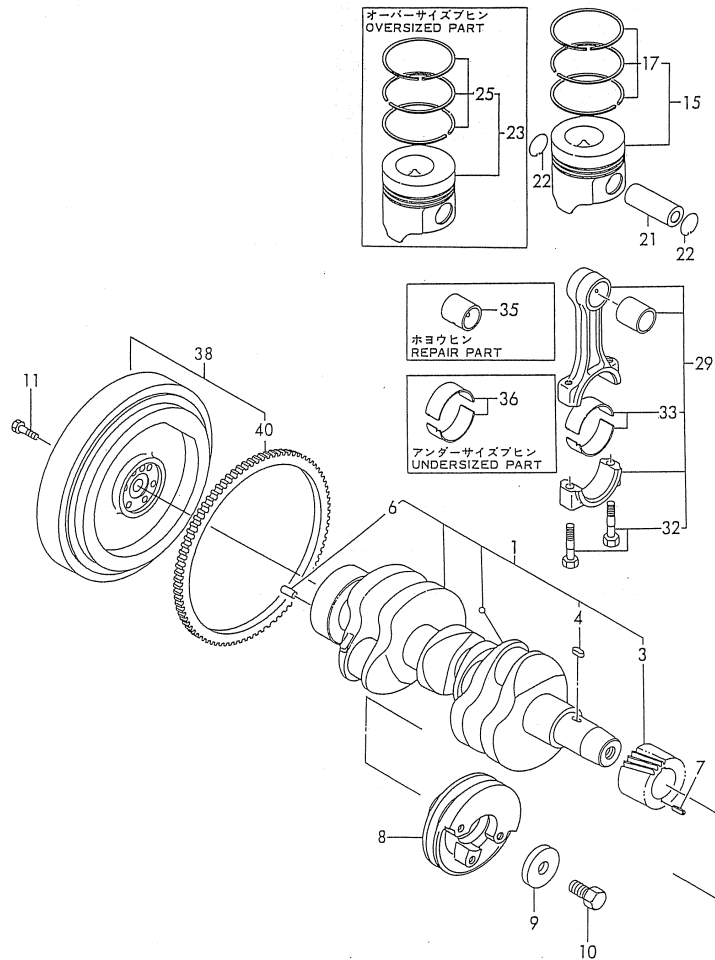
(C)=

(D)=

(E)=

(F)=

Y00D5620



No.	Lev.	Parts No.	Description	Q'ty						I	R
				(A)	(B)	(C)	(D)	(E)	(F)		
1	1	129001-21000	CRANKSHAFT ASSY	1							
3	2	129150-21200	GEAR, CRANKSHAFT	1							
4	2	22512-070140	KEY, 7X 14	1							
6	2	129100-01580	PIN, M8X16	1							
7	1	22351-040010	PIN, SPRING 4.0X10	1							
8	1	171340-21650	V-PULLEY	1							
9	1	129795-21661	WASHER	1							
10	1	121850-21680	BOLT	1							
11	1	121111-21501	BOLT, FLYWHEEL	6							
15	1	129002-22081	PISTON ASSY	3							
17	2	129002-22500	RING SET, PISTON	3							
21	1	129202-22300	PIN, PISTON D26 L70	3							
22	1	22252-000260	RING, 26	6							
23	1	129002-22900	PISTON ASSY, 0.25 OS	3							1
25	2	129002-22950	RING SET, 0.25 OS	3							1
29	1	729402-23100	ROD ASSY, CONNECTING	3							
32	2	121550-23200	BOLT, CONNECTING ROD	6							
33	2	129150-23600	BEARING, CRANK PIN	3							
35	1	129100-23910	BEARING, PISTON PIN	3							2
36	1	129150-23610	BEARING, 0.25 US	3							3
38	1	171350-21590	FLYWHEEL ASSY	1							
40	2	124550-21600	GEAR, RING	1							

Remarks

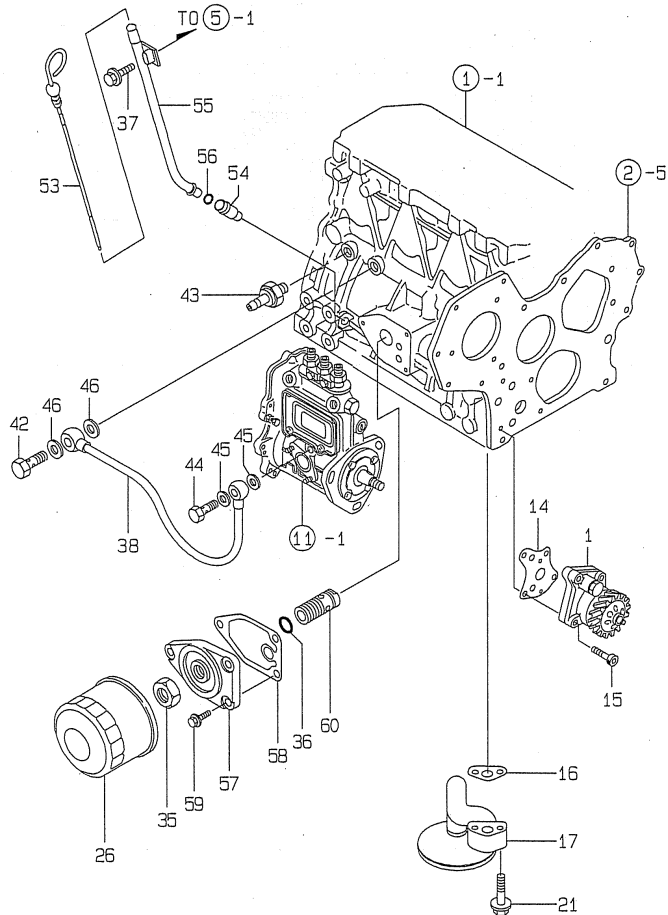
(1) OVER-SIZE(O.S=0.25)PART.

(2) REPAIR PART.

(3) UNDER-SIZE(U.S=0.25)PART.

Fig.9. LUB.OIL SYSTEM

Y00D5620
3TNE84-YW



(A)=3TNE84-YW

(B)=

(C)=

(D)=

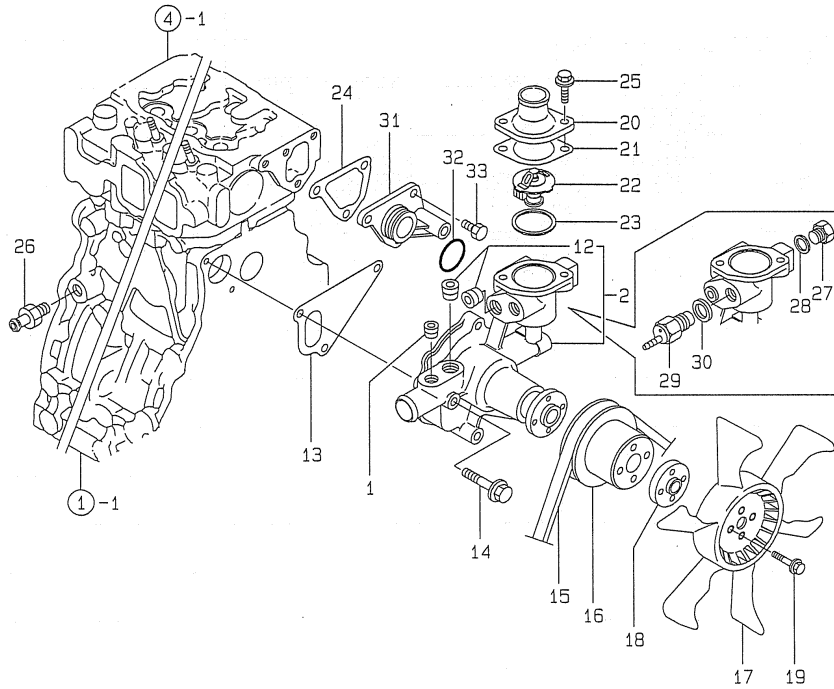
(E)=

(F)=

No.	Lev.	Parts No.	Description	Q'ty						I	R
				(A)	(B)	(C)	(D)	(E)	(F)		
1	1	129001-32001	PUMP ASSY, OIL	1							
14	1	129150-32020	GASKET, PUMP	1							
15	1	26450-060252	BOLT, M6X 25	4							
16	1	129150-35041	GASKET	1							
17	1	129150-35091	PIPE ASSY, OIL INLET	1							
21	1	26106-080352	BOLT, M8X 35 PLATED	2							
26	1	129150-35151	FILTER, D80XL80	1							
35	1	129150-35350	NUT	1							
36	1	24311-000160	O-RING, 1AP16.0	1							
37	1	26106-080252	BOLT, M8X 25 PLATED	3							
38	1	129150-39450	PIPE ASSY, OIL	1							
42	1	124160-39140	BOLT, PIPE JOINT M10	1							
43	1	121252-39450	SWITCH, 0.5KG	1							
44	1	124550-59820	BOLT, PIPE JOINT M8	1							
45	1	23414-080000	GASKET, 8X1.0	2							
46	1	23414-100000	GASKET, 10X1.0	2							
53	1	129128-34800	DIPSTICK, OIL	1							
54	1	119260-34810	GUIDE, DIPSTICK	1							
55	1	129136-34820	GUIDE, DIPSTICK	1							
56	1	24311-240100	O-RING, 1AP10A	1							
57	1	129150-35101	BRACKET, STRAINER	1							
58	1	129150-35111	GASKET	1							
59	1	26106-080202	BOLT, M8X 20 PLATED	3							
60	1	129001-35300	BOLT, FILTER	1							

Fig.10. COOLING WATER SYSTEM

Y00D5620
3TNEB4-YW



(A)=3TNEB4-YW

(B)=

(C)=

(D)=

(E)=

(F)=

No.	Lev.	Parts No.	Description	Q'ty						I	R
				(A)	(B)	(C)	(D)	(E)	(F)		
1	1	121850-11860	PLUG, PT1/4	1							
2	1	129001-42001	PUMP ASSY, WATER	1							
12	2	23871-030000	PLUG, R03	2							
13	1	129100-42020	GASKET, WATER PUMP	1							
14	1	26106-080602	BOLT, M8X 60 PLATED	3							
15	1	25132-003800	V-BELT, A38	1							
16	1	129550-42350	V-PULLEY, D=120	1							
17	1	171440-44740	FAN, COOLING D350XQF	1							
18	1	124574-44761	SPACER, FAN	1							
19	1	26014-060252	BOLT, M6X 25	4							
20	1	129350-49530	COVER, THERMOSTAT	1							
21	1	129795-49551	GASKET	1							
22	1	129574-49800	THERMOSTAT, 82	1							
23	1	129150-49811	GASKET, THERMOSTAT	1							
24	1	129100-49840	GASKET	1							
25	1	26106-080202	BOLT, M8X 20 PLATED	2							
26	1	121550-49111	JOINT, PT1/4	1							
27	1	121450-42450	PLUG, M16	1							
28	1	124465-44950	GASKET, 16	1							
29	1	124250-49351	SENSOR	1							
30	1	129150-49360	GASKET	1							
31	1	129001-42040	JOINT	1							
32	1	24321-000300	O-RING, 1AG30.0	1							
33	1	26106-080182	BOLT, M8X 18 PLATED	3							

Fig.11. FUEL INJECTION PUMP

(A)=3TNE84-YW

(B)=

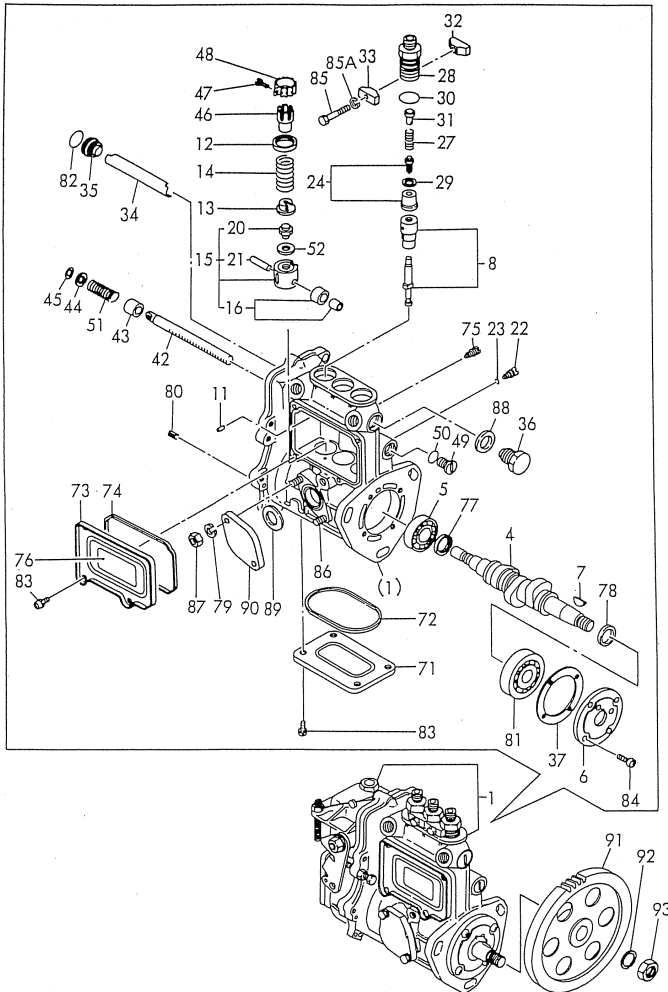
(C)=

(D)=

(E)=

(F)=

Y00D5620



No.	Lev.	Parts No.	Description	Q'ty						I	R
				(A)	(B)	(C)	(D)	(E)	(F)		
1	1	729213-51370	PUMP ASSY, INJECTION	1							1
4	2	119810-51040	CAMSHAFT	1							
5	2	129155-51050	BEARING, 17BM001D	1							
6	2	129155-51060	SUPPORT, CAMSHAFT	1							
7	2	122710-51090	KEY	1							
8	2	129506-51100	PLUNGER ASSY	3							
11	2	129155-51140	PIN	3							
12	2	174307-51170	RETAINER, SPRING A	3							
13	2	129155-51180	RETAINER, SPRING	3							
14	2	124950-51190	SPRING, PLUNGER	3							
15	2	129155-51200	TAPPET ASSY	3							
16	3	711100-51540	ROLLER ASSY	3							
20	3	129155-51250	BOLT, ADJUSTING	3							
21	3	174100-54120	PIN	3							
22	2	129155-51270	STOPPER, TAPPET	3							
23	2	129155-51280	O-RING, S6	3							
24	2	129505-51300	VALVE ASSY, DELIVERY	3							
27	2	129155-51320	SPRING, DELIVERY	3							
28	2	129155-51340	RETAINER	3							
29	2	124550-51350	GASKET, DELIVERY	3							
30	2	124550-51370	O-RING	3							
31	2	129155-51370	STOPPER, VALVE	3							
32	2	129155-51380	STOPPER	2							
33	2	129155-51390	STOPPER	2							
34	2	129155-51400	DEFLECTOR	1							
35	2	129155-51410	BOLT	1							
36	2	129155-51420	PLUG, M16	1							
37	2	129155-51450	SHIM SET, ADJUSTING	1							
42	2	129155-51500	RACK, CONTROL	1							
43	2	129155-51521	BUSH, RACK	1							
44	2	129155-51530	SPACER	1							
45	2	129155-51540	CIRCLIP	1							
46	2	129155-51550	PINION, CONTROL	3							
47	2	122117-51560	SCREW	3							
48	2	174307-51560	PINION	3							
49	2	129155-51570	PLUG, M12	1							
50	2	129155-51580	O-RING	1							
51	2	129155-51591	SPRING, RACK	1							
52	2	129155-51600	SHIM SET, ADJUSTING	3							
71	2	129155-51700	COVER	1							
72	2	129155-51710	GASKET	1							
73	2	129155-51750	COVER	1							
74	2	129155-51760	GASKET	1							
75	2	129155-51790	STOOPER, RACK	1							
76	2	129156-51910	LABEL, CAUTION	1							
77	2	129155-51930	SPACER, T=3.25	1							
78	2	129155-51940	SPACER, T=1.5	1							
79	2	22217-060000	WASHER, SPRING 6	2							
80	2	22351-050010	PIN, SPRING 5.0X10	2							
81	2	24101-063034	BEARING, BALL 6303	1							
82	2	24341-000160	O-RING, 1AS16.0	1							

Remarks

(1) GOVERNOR ASSY(FIG.NO.14)IS INCORPORATED IN THIS FUEL INJECTION PUMP ASSY(REF NO.1)

Fig.11. FUEL INJECTION PUMP

(A)=3TNE84-YW

(B)=

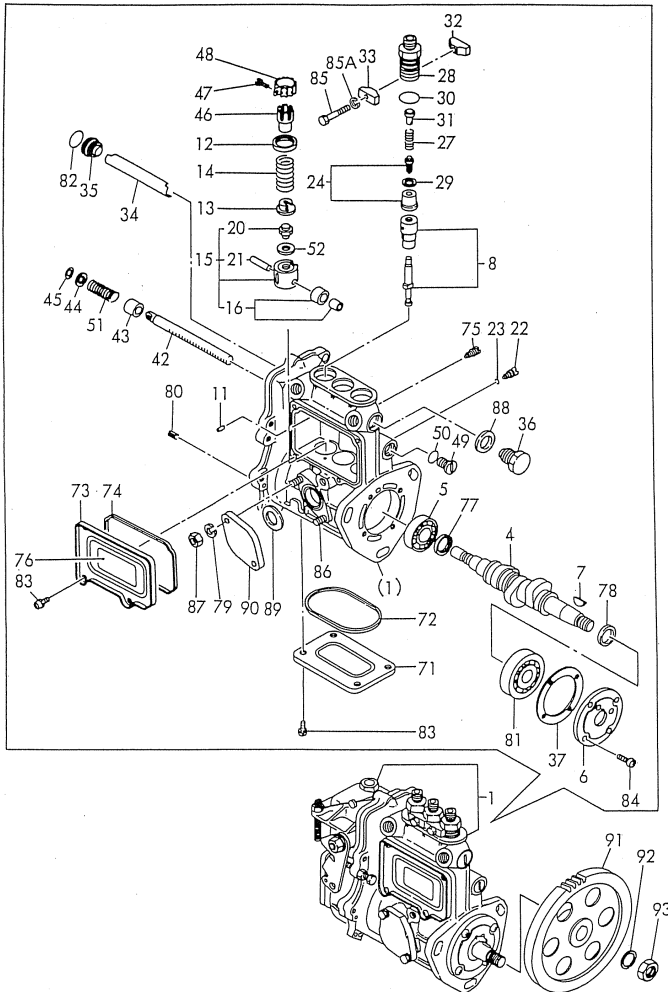
(C)=

(D)=

(E)=

(F)=

Y00D5620



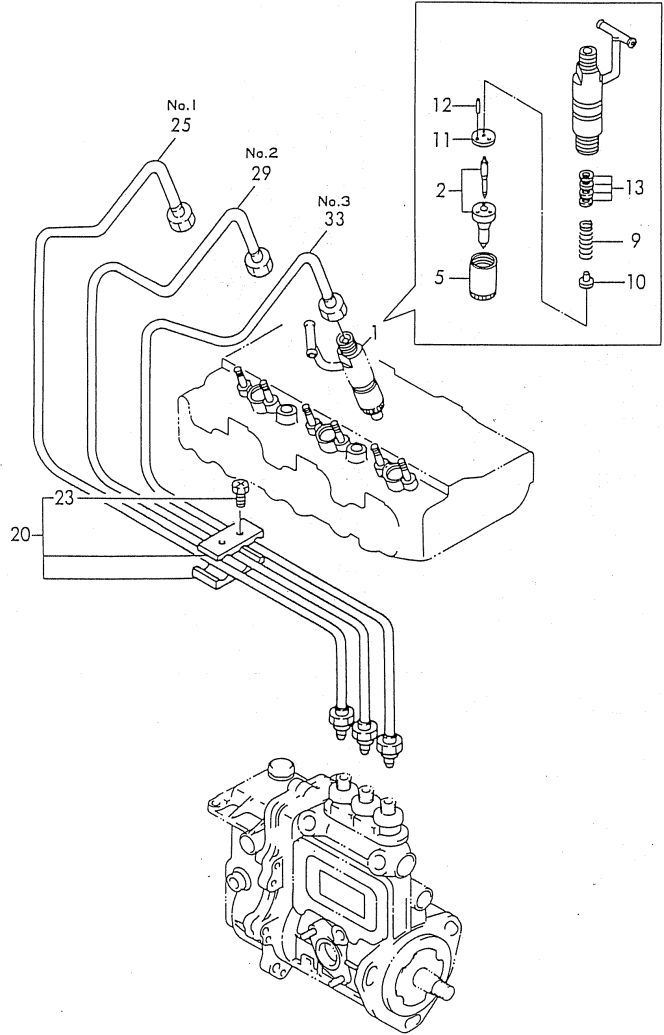
No.	Lev.	Parts No.	Description	Q'ty						I	R
				(A)	(B)	(C)	(D)	(E)	(F)		
83	2	26022-050102	SCREW, M5X10	8							
84	2	26022-060162	SCREW, M6X16	4							
85	2	26116-050302	BOLT, M5X 30 PLATED	2							
85A	2	22217-050000	WASHER, SPRING 5	2							
86	2	129155-51020	STUD	2							
87	2	26716-060002	NUT, M6	2							
88	2	22190-160002	WASHER, SEAL 16	1							
89	2	129155-52050	GASKET	1							
90	2	129100-52200	COVER	1							
91	1	129150-25900	GEAR, PUMP	1							
92	1	22217-120000	WASHER, SPRING 12	1							
93	1	26716-120002	NUT, M12	1							

Remarks

(1) GOVERNOR ASSY(FIG.NO.14)IS INCORPORATED IN THIS FUEL INJECTION PUMP ASSY(REF NO.1)

Fig.12. FUEL INJECTION LINE

Y00D5620



(A)=3TNE84-YW

(B)=

(C)=

(D)=

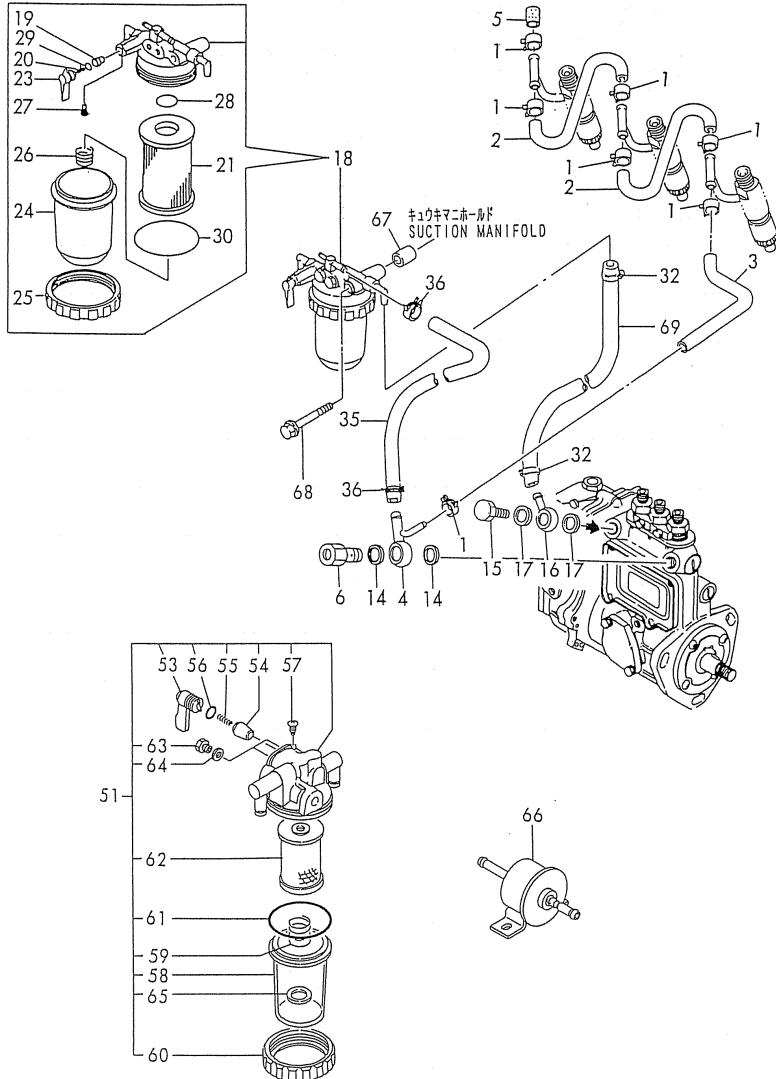
(E)=

(F)=

No.	Lev.	Parts No.	Description	Q'ty						I	R
				(A)	(B)	(C)	(D)	(E)	(F)		
1	1	729503-53100	VALVE ASSY,INJECTION	3							
2	2	129503-53000	VALVE ASSY,INJECTION	3							
5	2	114250-53080	NUT, NOZZLE D16.95	3							
9	2	114250-53120	SPRING, NOZZLE	3							
10	2	114250-53130	SEAT, SPRING	3							
11	2	114250-53140	PLATE	3							
12	2	114250-53210	PIN	6							
13	2	114250-53400	SHIM SET	3							
20	1	129150-59120	RETAINER, PIPE	1							
23	2	129150-59131	BOLT, M4X14	2							
25	1	129100-59912	PIPE ASSY, INJECTION	1							
29	1	129100-59922	PIPE ASSY, INJECTION	1							
33	1	129100-59932	PIPE ASSY, INJECTION	1							

Fig.13. FUEL LINE

Y00D5620



(A)=3TNE84-YW

(B)=

(C)=

(D)=

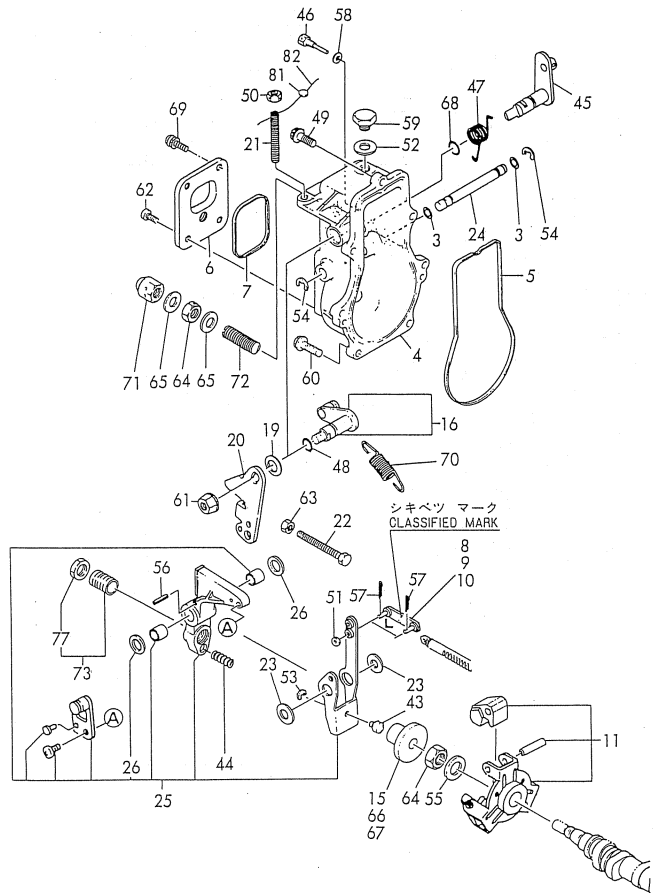
(E)=

(F)=

No.	Lev.	Parts No.	Description	Q'ty						I	R
				(A)	(B)	(C)	(D)	(E)	(F)		
1	1	124066-59100	CLIP, HOSE 8	7							
2	1	121250-59550	PIPE, FUEL D8X120	2							
3	1	119840-59560	PIPE, FUEL RETURN	1							
4	1	119840-59570	JOINT	1							
5	1	129150-59580	CAP	1							
6	1	129100-59951	VALVE ASSY, CHECK	1							
14	1	23414-120000	GASKET, 12X1.0	2							
15	1	103854-39140	BOLT, PIPE JOINT	1							
16	1	101304-59020	JOINT, PIPE 12	1							
17	1	104200-59170	GASKET, 12	2							
18	1	129052-55620	FILTER ASSY, FUEL	1							
19	2	104200-55321	VALVE, TAPER	1							
20	2	104200-55330	SPRING, VALVE	1							
21	2	129100-55650	ELEMENT	1							
23	2	129100-55670	LEVER	1							
24	2	129100-55680	CUP, STRAINER	1							
25	2	129100-55690	RING, RETAINING	1							
26	2	129100-55700	SPRING	1							
27	2	104200-55750	SCREW, M4	1							
28	2	24311-000160	O-RING, 1AP16.0	1							
29	2	24311-240100	O-RING, 1AP10A	1							
30	2	24321-000650	O-RING, 1AG65.0	1							
32	1	124766-59050	CLIP, HOSE 12	2							
35	1	129255-59580	PIPE, FUEL	1							
36	1	124766-59050	CLIP, HOSE 12	2							
51	1	129335-55700	SEPARATOR ASSY, WATER	1							
53	2	104200-55341	HANDLE	1							
54	2	104200-55321	VALVE, TAPER	1							
55	2	104200-55330	SPRING, VALVE	1							
56	2	24311-240100	O-RING, 1AP10A	1							
57	2	104200-55750	SCREW, M4	1							
58	2	124064-55510	COVER	1							
59	2	121257-55720	SPRING	1							
60	2	110250-55610	RING, RETAINING	1							
61	2	102103-55520	O-RING	1							
62	2	171081-55910	SCREEN	1							
63	2	101720-55750	PLUG, 6	2							
64	2	23418-060000	GASKET, 6X1.0	2							
65	2	121257-55731	FLOAT	1							
66	1	119225-52102	PUMP ASSY, FUEL FEED	1							
67	1	129411-55690	SPACER	1							
68	1	26014-080852	BOLT, M8X 85	1							
69	1	129150-59511	PIPE, FUEL	1							

Fig.14. GOVERNOR

Y0005620



Remarks

- (1) SELECTIVE PARTS : CERTAIN THE CLASSIFICATION MARK, THEN PLACE YOUR ORDER.(ILLUSTRATION)
- (2) SELECTIVE PARTS.

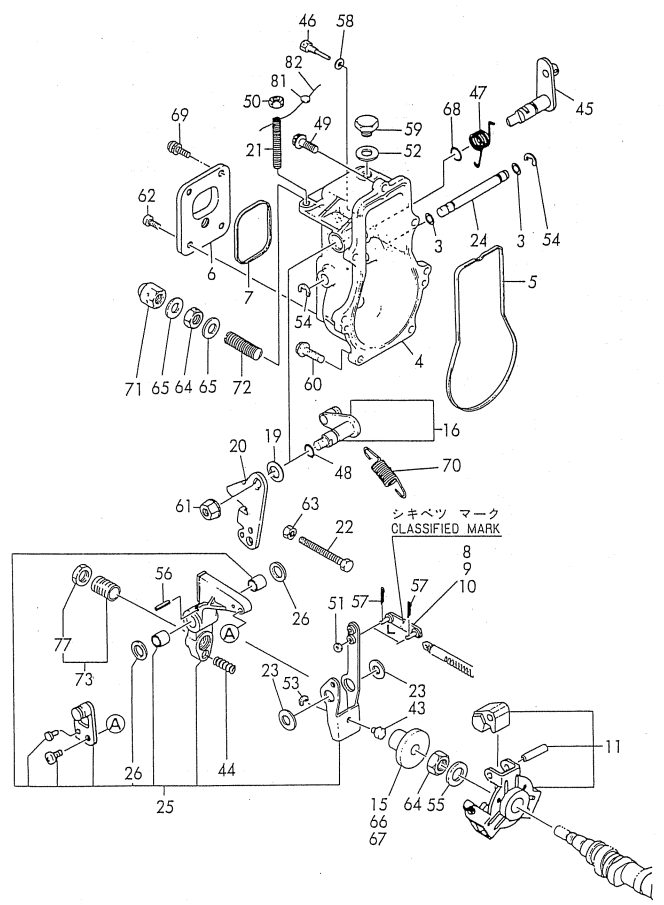
(A)=3TNE84-YW
(B)=
(C)=

(D)=
(E)=
(F)=

No.	Lev.	Parts No.	Description	Q'ty						I	R
				(A)	(B)	(C)	(D)	(E)	(F)		
3	2	129155-51280	O-RING, S6	2							
4	2	129155-61012	CASE, GOVERNOR	1							
5	2	129155-61050	GASKET	1							
6	2	129155-61060	COVER, GOVERNOR CASE	1							
7	2	129155-61070	GASKET	1							
8	2	129155-61120	LINK, L=30 MARK 0	1							1
9	2	129155-61130	LINK, L=31 MARK 1	1							1
10	2	129155-61140	LINK, L=30.5 MARK 05	1							1
11	2	129155-61201	WEIGHT ASSY,GOVERNOR	1							
15	2	129155-61341	SLEEVE	1							2
16	2	129100-61400	SHAFT ASSY	1							
19	2	129155-61430	SPACER	1							
20	2	129100-61440	LEVER, CONTROL	1							
21	2	129155-61450	BOLT, LIMITER	1							
22	2	129155-61460	BOLT, IDLE	1							
23	2	129155-61480	SPACER ASSY	2							
24	2	129155-61490	SHAFT	1							
25	2	129500-61501	LEVER ASSY, GOVERNOR	1							
26	3	174307-51700	SHIM SET	2							
43	2	129155-61540	SHIFTER	1							
44	2	129100-61650	SPRING, CONTROLLER	1							
45	2	129255-61802	LEVER, STOP	1							
46	2	129155-61810	PIN	1							
47	2	129100-61821	SPRING, RETURN	1							
48	2	129155-61830	O-RING, S10	1							
49	2	129155-61950	BOLT	1							
50	2	124550-66370	NUT, M6	1							
51	2	22117-040000	WASHER, 4	1							
52	2	22190-100002	WASHER, SEAL 10	1							
53	2	22272-000040	RING, E- 4	1							
54	2	22272-000060	RING, E- 6	2							
55	2	22287-120000	WASHER, 12	1							
56	2	22351-030016	PIN, SPRING 3.0X16	1							
57	2	22372-040000	PIN, SNAP 4	2							
58	2	22190-060002	WASHER, SEAL 6	1							
59	2	23887-100002	PLUG, 10	1							
60	2	26106-060202	BOLT, M6X 20 PLATED	6							
61	2	26366-080002	NUT, M8	1							
62	2	26022-050102	SCREW, M5X10	1							
63	2	26756-060002	NUT, LOCK M6	1							
64	2	26776-120002	NUT, LOCK M12	2							
65	2	22190-120002	WASHER, SEAL 12	2							
66	2	129155-61350	SLEEVE, L=24.9	1							2
67	2	129155-61360	SLEEVE, L=25.2	1							2
68	2	24311-240100	O-RING, 1AP10A	1							
69	2	26023-050102	SCREW, M5X10	2							
70	2	171353-61710	SPRING, GOVERNOR	1							
71	2	26687-120002	NUT, CAP M12	1							
72	2	129155-61470	BOLT, CONTROL	1							
73	2	171353-61550	ANGLEICH ASSY	1							
77	3	129155-61590	NUT, LOCK	1							

Fig.14. GOVERNOR

Y0005620



(A)=3TNE84-YW
(B)=
(C)=

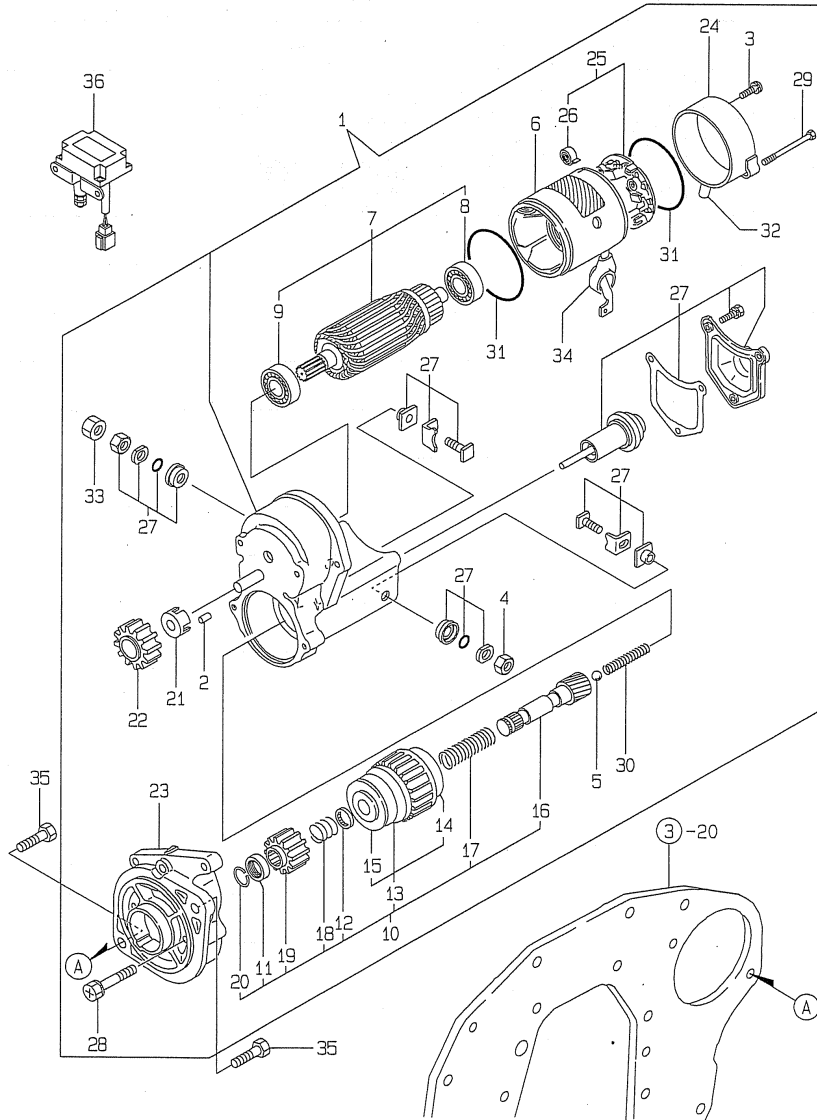
(D)=
(E)=
(F)=

No.	Lev.	Parts No.	Description	Q'ty						I	R
				(A)	(B)	(C)	(D)	(E)	(F)		
81	1	135210-61090	LEAD	1							
82	1	22451-060000	WIRE, 0.6	1							

Remarks
 (1) SELECTIVE PARTS : CERTAIN THE CLASSIFICATION MARK, THEN PLACE YOUR ORDER.(ILLUSTRATION)
 (2) SELECTIVE PARTS.

Fig.16. STARTING MOTOR

Y00D5620
3TNE84-YW



(A)=3TNE84-YW

(B)=

(C)=

(D)=

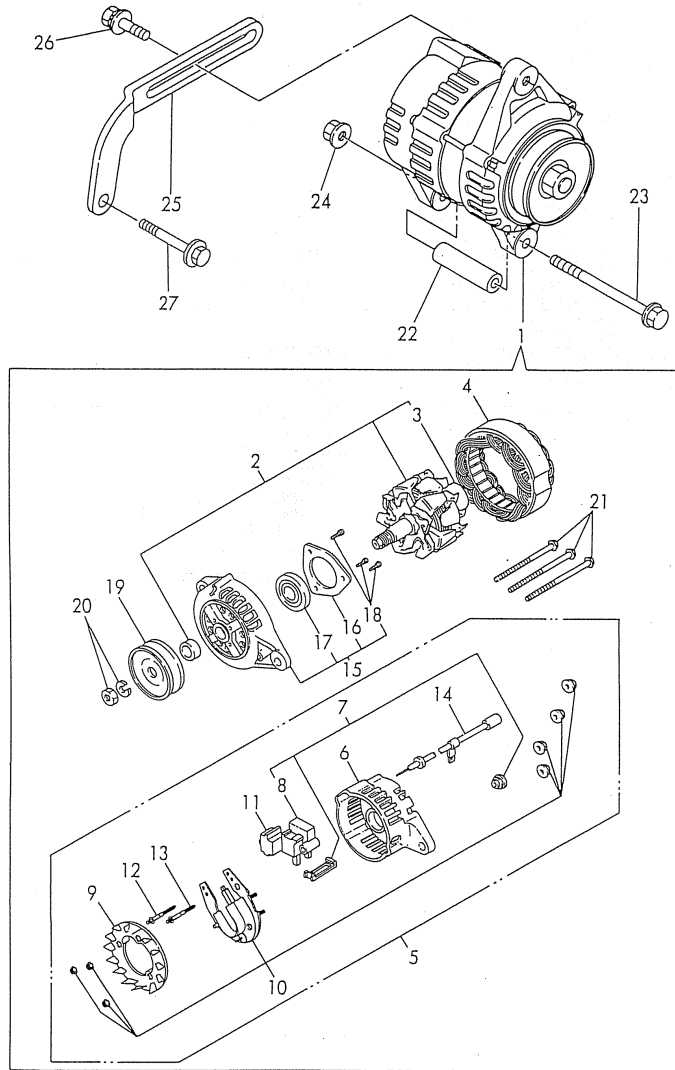
(E)=

(F)=

No.	Lev.	Parts No.	Description	Qty						I	R
				(A)	(B)	(C)	(D)	(E)	(F)		
1	1	129407-77010	STARTER, RA1.4	1							
2	2	X0283060061	ROLLER	5							
3	2	X0289030010	SCREW	2							
4	2	X9490561370	NUT	1							
5	2	X9491200240	BALL	1							
6	2	129407-77210	YOKE ASSY	1							
7	2	129407-77220	ARMATURE ASSY	1							
8	3	129129-77230	BEARING	1							
9	3	129129-77240	BEARING	1							
10	2	129407-77250	STARTER	1							
11	3	X0280210230	NUT	1							
12	3	X0283270140	RETAINER	1							
13	3	129407-77390	CLUTCH ASSY	1							
14	4	129129-77440	BEARING	1							
15	4	129129-77450	BEARING	1							
16	3	129129-77400	SHAFT	1							
17	3	129129-77410	SPRING, COIL	1							
18	3	129407-77410	SPRING	1							
19	3	129129-77420	PINION	1							
20	3	129129-77430	RING	1							
21	2	129129-77260	RETAINER	1							
22	2	129129-77270	PINION	1							
23	2	129407-77280	HOUSING	1							
24	2	129129-77290	FRAME	1							
25	2	129407-77300	HOLDER ASSY	1							
26	3	X9491730461	SPRING	4							
27	2	129407-77310	SWITCH ASSY	1							
28	2	129129-77320	BOLT	2							
29	2	129407-77330	BOLT	2							
30	2	129129-77340	SPRING	1							
31	2	129129-77350	O-RING	2							
32	2	129129-77361	BUSH	1							
33	2	129129-77370	NUT	1							
34	2	129129-77380	CAP	1							
35	1	26116-120252	BOLT, M12X 25 PLATED	2							
36	1	129136-77101	RELAY, SAFETY	1							

Fig.17. GENERATOR

Y0005620



(A)=3TNE84-YW

(B)=

(C)=

(D)=

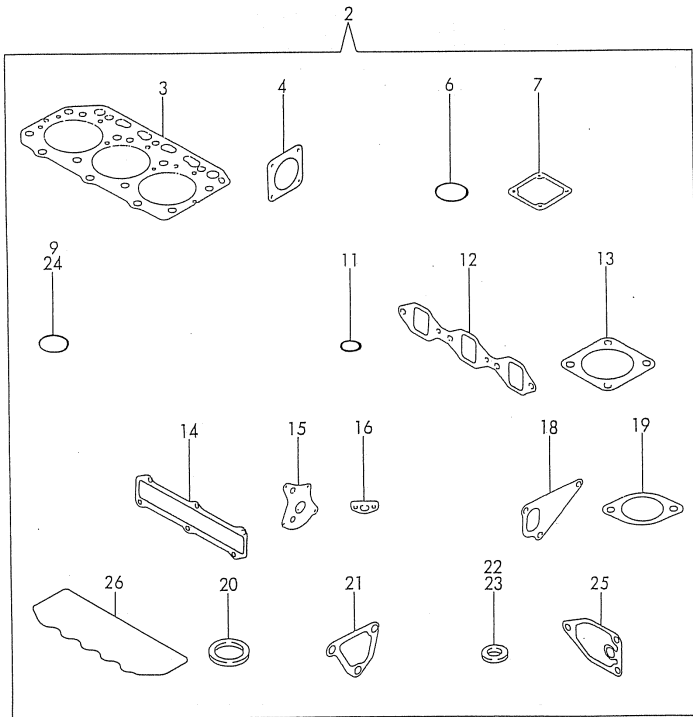
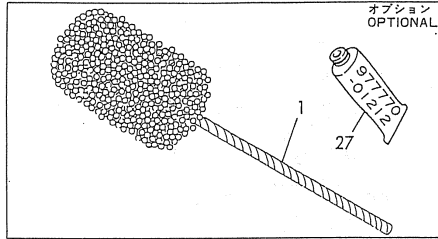
(E)=

(F)=

No.	Lev.	Parts No.	Description	Q'ty						I	R
				(A)	(B)	(C)	(D)	(E)	(F)		
1	1	119836-77200	GENERATOR	1							
2	2	119836-77700	ROTOR ASSY	1							
3	3	119836-77850	BALL BEARING	1							
4	2	119836-77710	STARTER ASSY	1							
5	2	119836-77721	COVER ASSY, REAR	1							
6	3	119836-77730	COVER, REAR	1							
7	3	119836-77741	BRUSH ASSY,REGULATOR	1							
8	4	119836-77750	BRUSH ASSY	1							
9	3	119836-77760	GUIDE, FAN SIDE	1							
10	3	119836-77770	DIODE ASSY	1							
11	3	119836-77780	CONDENSER	1							
12	3	119836-77871	BOLT (1)	1							
13	3	119836-77880	BOLT (2)	1							
14	3	119836-77890	WIRE ASSY, LEAD	1							
15	2	119836-77790	COVER ASSY, FRONT	1							
16	3	119836-77800	RETAINER, BEARING	1							
17	3	119836-77840	BALL BEARING	1							
18	3	119836-77860	SCREW KID	1							
19	2	119836-77810	PULLEY	1							
20	2	119836-77820	NUT ASSY, PULLEY	1							
21	2	119836-77830	BOLT, THROUGH	1							
22	1	119820-77340	PIECE, DISTANCE	1							
23	1	129136-77250	BOLT M 8X105	1							
24	1	26366-080002	NUT, M8	1							
25	1	129100-77330	ADJUSTER	1							
26	1	26014-080252	BOLT, M8X 25	1							
27	1	26106-080502	BOLT, M8X 50 PLATED	1							

Fig.18. GASKET SET(OPTIONAL) & TOOL

Y00D5620



(A)=3TNE84-YW
(B)=
(C)=

(D)=
(E)=
(F)=

No.	Lev.	Parts No.	Description	Q'ty						I	R
				(A)	(B)	(C)	(D)	(E)	(F)		
1	1	129400-92420	FLEX HORN	1							1
2	1	729211-92650	GASKET SET	1							1
3	2	129002-01331	GASKET, HEAD	1							
4	2	124240-01883	GASKET	1							
6	2	121850-51960	O-RING	1							
7	2	129150-77511	GASKET	1							
9	2	24311-000320	O-RING, 1AP32.0	2							
11	2	24311-000120	O-RING, 1AP12.0	3							
12	2	129150-12111	GASKET, MANIFOLD	1							
13	2	124701-11911	GASKET, SILENCER	1							
14	2	129001-13110	GASKET	1							
15	2	129150-32020	GASKET, PUMP	1							
16	2	129150-35041	GASKET	1							
18	2	129100-42020	GASKET, WATER PUMP	1							
19	2	129795-49551	GASKET	1							
20	2	129150-49811	GASKET, THERMOSTAT	1							
21	2	129100-49840	GASKET	1							
22	2	124465-44950	GASKET, 16	1							
23	2	129150-49360	GASKET	1							
24	2	24341-000240	O-RING, 1AS24.0	1							
25	2	129150-35111	GASKET	1							
26	2	129150-11310	GASKET, BONNET	1							
27	1	977770-01212	GASKET, LIQUID	1							1

Remarks
(1) OPTIONAL PART.

Parts No. Index

Parts No.	Fig. No.	Ref. No.
101304-59020	13	16
101720-55750	13	63
102103-55520	13	61
103854-39140	13	15
104200-55321	13	19
		54
104200-55330	13	20
		55
104200-55341	13	53
104200-55750	13	27
		57
104200-59170	13	17
105425-01690	3	24
110250-55610	13	60
114250-53080	12	5
114250-53120	12	9
114250-53130	12	10
114250-53140	12	11
114250-53210	12	12
114250-53400	12	13
119225-52102	13	66
119260-34810	9	54
119625-11871	4	18
119625-11880	4	19
119625-11900	4	20
119810-51040	11	4
119820-77340	17	22
119836-77200	17	1
119836-77700	17	2
119836-77710	17	4
119836-77721	17	5
119836-77730	17	6
119836-77741	17	7
119836-77750	17	8
119836-77760	17	9
119836-77770	17	10
119836-77780	17	11
119836-77790	17	15
119836-77800	17	16
119836-77810	17	19
119836-77820	17	20
119836-77830	17	21
119836-77840	17	17
119836-77850	17	3
119836-77860	17	18
119836-77871	17	12
119836-77880	17	13
119836-77890	17	14
119840-59560	13	3
119840-59570	13	4

Parts No.	Fig. No.	Ref. No.
120130-11860	4	35
121111-21501	8	11
121120-12531	5	14
121120-12541	5	15
121120-12561	5	16
121120-12571	5	17
121120-12901	5	18
121250-59550	13	2
121252-12502	5	12
121252-12521	5	13
121252-39450	9	43
121257-55720	13	59
121257-55731	13	65
121400-11340	4	13
121450-01560	2	6
121450-42450	10	27
121550-23200	8	32
121550-49111	10	26
121850-11860	10	1
121850-21680	8	10
121850-51960	2	12
	18	6
121855-12060	5	10
122117-51560	11	47
122710-51090	11	7
124064-55510	13	58
124066-59100	13	1
124160-01751	2	7
	4	60
124160-01910	1	4
124160-11360	4	37
124160-39140	9	42
124240-01871	2	8
124240-01883	2	9
	18	4
124250-49351	10	29
124460-11340	4	14
124465-44950	10	28
	18	22
124550-21600	8	40
124550-51350	11	29
124550-51370	11	30
124550-59820	9	44
124550-66370	14	50
124574-44761	10	18
124701-11911	6	7
	18	13
124736-07900	4	40
124766-59050	13	32
		36

Parts No.	Fig. No.	Ref. No.
124950-51190	11	14
129001-02800	1	13
129001-11700	4	1
129001-13100	6	1
129001-13110	6	2
	18	14
129001-21000	8	1
129001-32001	9	1
129001-35300	9	60
129001-42001	10	2
129001-42040	10	31
129002-01331	1	21
	18	3
129002-22081	8	15
129002-22500	8	17
129002-22900	8	23
129002-22950	8	25
129052-55620	13	18
129100-01580	3	1
		5
	8	6
129100-01640	3	6
129100-01730	3	11
129100-11100	4	8
129100-11110	4	9
129100-11350	4	50
129100-23910	8	35
129100-25061	7	8
129100-42020	10	13
	18	18
129100-49840	10	24
	18	21
129100-52200	11	90
129100-55650	13	21
129100-55670	13	23
129100-55680	13	24
129100-55690	13	25
129100-55700	13	26
129100-59912	12	25
129100-59922	12	29
129100-59932	12	33
129100-59951	13	6
129100-61400	14	16
129100-61440	14	20
129100-61650	14	44
129100-61821	14	47
129100-77330	17	25
129100-77500	5	4
129100-77510	5	5
129100-77910	5	11

Parts No.	Fig. No.	Ref. No.
129107-66810	15	6
129107-66820	15	7
129107-66830	15	3
129112-01770	3	22
129128-34800	9	53
129129-14580	7	1
129129-77230	16	8
129129-77240	16	9
129129-77260	16	21
129129-77270	16	22
129129-77290	16	24
129129-77320	16	28
129129-77340	16	30
129129-77350	16	31
129129-77361	16	32
129129-77370	16	33
129129-77380	16	34
129129-77400	16	16
129129-77410	16	17
129129-77420	16	19
129129-77430	16	20
129129-77440	16	14
129129-77450	16	15
129136-34820	9	55
129136-66800	15	1
129136-66852	15	13
129136-77101	16	36
129136-77250	17	23
129137-01640	3	23
129150-01200	1	20
129150-01600	3	20
129150-02020	1	10
129150-02450	7	5
129150-02870	1	22
129150-02930	1	16
129150-02940	1	25
129150-03020	4	52
129150-03070	4	53
129150-03080	4	54
129150-03100	2	11
129150-11230	4	31
129150-11280	4	24
129150-11290	4	25
129150-11310	4	56
	18	26
129150-11370	4	15
129150-11750	4	30
129150-11810	4	36
129150-12100	5	1
129150-12111	5	2

Parts No. Index

Parts No.	Fig. No.	Ref. No.
129150-12111	18	12
129150-14101	7	3
129150-14200	7	6
129150-14400	7	7
129150-21200	8	3
129150-23600	8	33
129150-23610	8	36
129150-25101	7	9
129150-25900	11	91
129150-25920	7	14
129150-32020	9	14
	18	15
129150-35041	9	16
	18	16
129150-35091	9	17
129150-35101	9	57
129150-35111	9	58
	18	25
129150-35151	9	26
129150-35350	9	35
129150-39450	9	38
129150-49360	10	30
	18	23
129150-49811	10	23
	18	20
129150-59120	12	20
129150-59131	12	23
129150-59511	13	69
129150-59580	13	5
129150-77511	5	6
	18	7
129150-91400	2	25
129155-11241	4	21
129155-11260	4	22
129155-11270	4	23
129155-51020	11	86
129155-51050	11	5
129155-51060	11	6
129155-51140	11	11
129155-51180	11	13
129155-51200	11	15
129155-51250	11	20
129155-51270	11	22
129155-51280	11	23
	14	3
129155-51320	11	27
129155-51340	11	28
129155-51370	11	31
129155-51380	11	32
129155-51390	11	33

Parts No.	Fig. No.	Ref. No.
129155-51400	11	34
129155-51410	11	35
129155-51420	11	36
129155-51450	11	37
129155-51500	11	42
129155-51521	11	43
129155-51530	11	44
129155-51540	11	45
129155-51550	11	46
129155-51570	11	49
129155-51580	11	50
129155-51591	11	51
129155-51600	11	52
129155-51700	11	71
129155-51710	11	72
129155-51750	11	73
129155-51760	11	74
129155-51790	11	75
129155-51930	11	77
129155-51940	11	78
129155-52050	11	89
129155-61012	14	4
129155-61050	14	5
129155-61060	14	6
129155-61070	14	7
129155-61120	14	8
129155-61130	14	9
129155-61140	14	10
129155-61201	14	11
129155-61341	14	15
129155-61350	14	66
129155-61360	14	67
129155-61430	14	19
129155-61450	14	21
129155-61460	14	22
129155-61470	14	72
129155-61480	14	23
129155-61490	14	24
129155-61540	14	43
129155-61590	14	77
129155-61810	14	46
129155-61830	14	48
129155-61950	14	49
129156-51910	11	76
129202-22300	8	21
129255-59580	13	35
129255-61802	14	45
129335-55700	13	51
129350-49530	10	20
129400-01520	2	5

Parts No.	Fig. No.	Ref. No.
129400-92420	18	1
129407-77010	16	1
129407-77210	16	6
129407-77220	16	7
129407-77250	16	10
129407-77280	16	23
129407-77300	16	25
129407-77310	16	27
129407-77330	16	29
129407-77390	16	13
129407-77410	16	18
129411-55690	13	67
129500-61501	14	25
129503-53000	12	2
129505-51300	11	24
129506-51100	11	8
129550-42350	10	16
129566-66880	15	4
129566-66890	15	5
129574-49800	10	22
129795-01780	3	8
129795-01800	2	4
129795-01950	2	10
129795-02411	1	19
129795-11120	4	10
129795-11180	4	11
129795-21661	8	9
129795-49551	10	21
	18	19
135210-61090	14	81
171051-01921	1	5
171081-55910	13	62
171340-21650	8	8
171340-77520	5	7
171350-21590	8	38
171353-61550	14	73
171353-61710	14	70
171440-44740	10	17
174100-54120	11	21
174307-51170	11	12
174307-51560	11	48
174307-51700	14	26
194990-22050	6	3
22117-040000	14	51
22117-080000	15	8
22190-060002	14	58
22190-080002	2	23
		24
22190-100002	14	52
22190-120002	14	65

Parts No.	Fig. No.	Ref. No.
22190-160002	3	26
	11	88
22217-050000	11	85 A
22217-060000	11	79
22217-120000	11	92
22252-000260	8	22
22272-000040	14	53
22272-000060	14	54
22287-120000	14	55
22351-030016	14	56
22351-040010	8	7
22351-050010	11	80
22351-060012	4	16
22360-080000	15	9
22372-040000	14	57
22451-060000	14	82
22512-070140	7	4
	8	4
23414-080000	9	45
23414-100000	9	46
23414-120000	13	14
23418-060000	13	64
23871-010000	1	6
23871-030000	10	12
23887-100002	14	59
24101-063034	11	81
24311-000120	4	38
	18	11
24311-000160	2	13
	9	36
	13	28
24311-000320	2	14
	4	61
	18	9
24311-240100	9	56
	13	29
	14	68
24321-000300	10	32
24321-000650	13	30
24341-000160	11	82
24341-000240	2	27
	18	24
24341-000500	4	58
25132-003800	10	15
26014-060252	10	19
26014-080252	17	26
26014-080852	13	68
26022-050102	11	83
	14	62

Parts No. Index

Parts No.	Fig. No.	Ref. No.
26022-060162	11	84
26023-050102	14	69
26106-060162	2	28
26106-060202	14	60
26106-080122	2	15
	15	10
		11
26106-080142	4	41
26106-080162	2	16
		17
	3	16
	4	59
	7	13
26106-080182	10	33
26106-080202	2	18
	9	59
	10	25
26106-080252	3	17
	4	33
	5	3
	9	37
26106-080302	3	9
26106-080352	3	10
	9	21
26106-080402	5	8
	6	4
26106-080452	2	19
	3	18
	7	12
26106-080502	4	34
	17	27
26106-080552	2	20
26106-080602	10	14
26106-080802	5	9
26106-080852	2	21
26116-050102	15	12
26116-050302	11	85
26116-120252	16	35
26206-100202	3	21
26206-100252	3	3
26216-060202	4	6
26216-080222	6	5
26216-080402	6	6
26226-080182	4	32
26366-060002	4	17
26366-080002	2	22
	14	61
	17	24
26450-060252	9	15
26687-120002	14	71

Parts No.	Fig. No.	Ref. No.
26716-060002	11	87
26716-120002	11	93
26756-060002	14	63
26776-120002	14	64
27231-500000	1	7
27241-120000	1	8
27241-300000	1	9
27241-400000	4	7
27310-080001	4	12
711100-51540	11	16
719810-01500	2	1
729002-01560	1	1
729211-92650	18	2
729213-51370	11	1
729402-11650	4	28
729402-23100	8	29
729503-53100	12	1
977770-01212	2	29
	3	27
	18	27
X0280210230	16	11
X0283060061	16	2
X0283270140	16	12
X0289030010	16	3
X9490561370	16	4
X9491200240	16	5
X9491730461	16	26

Parts No.	Fig. No.	Ref. No.
-----------	----------	----------

Parts No.	Fig. No.	Ref. No.
-----------	----------	----------