

OCD10-M56100EN

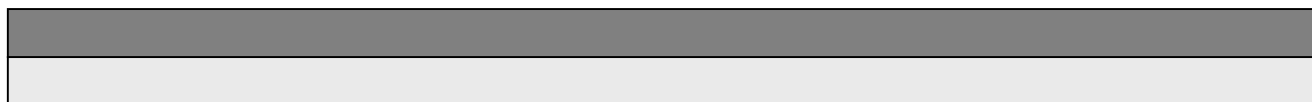
PREFACE

1. This Parts Catalog is the 1st edition of 3TNE84T-YW Diesel Engine for ISEKI NOHKI.

Pub. No. : 000Y00D5610
Published : September, 1995

2. Model name

Engine model	Vehicle		Vehicle made by
	Products	Model name	
3TNE84T-YW	WHEEL LOADER	—	ISEKI NOHKI



Directions for the Parts Catalog.

- The parts stipulated in this Parts Catalog are not necessarily standard equipped parts.
- Parts may change without prior notice.
- The following is an example of the Parts Catalog format.

REF.	LEV.	PARTS NO.	DESCRIPTION	Q'TY						I	R
				(A)	(B)	(C)	(D)	(E)	(F)		
1	1	729595-51390	FUEL INJECTION PUMP	1	1	1	1	1			1
1-1	1	729595-51391	FUEL INJECTION PUMP	1	1	1	1	1		N	1
		(A=E00185) (B=E00200)									
3	2	26022-060162	SCREW M 6X 16	9	9	9	9	9			
3-1	2	26022-060162	SCREW M 6X 16	4	4	4	4	4		K	
		(A=E00156) (B=E00156) (C=E00156) (D=E00156) (E=E00156)									
4	2	129470-51040	CAMSHAFT	1	1	1	1	1			
5	2	122710-51050	BEARING, ROLLER	2	2	2	2	2			
6	2	129470-51060	RETAINER	1	1	1	1	1			

Remarks
(1) BOOST COMPEMSATOR TYPE. OPTIONAL PART, TO E00155,(4JH-DT, 4JH-DTZ

① Ref. No.

The Ref. No. listed may not be in accordance with the illustration Ref. No.

(Ex.) Illustration No.

List Ref No.

1

1

(Before change)

1-1

(After change)

For interchangeable symbols N, R and K, illustrations for new parts may be abbreviated.

② Lev. (Level)

Level indication

The numbers below indicate the level of relativity towards the main part.

1 ----- Main parts (Assembly parts)

2 ----- Sub component included in " 1 ".

3 ----- Sub component included in " 2 ".

Note) Parts that are not for sale are partially illustrated but not listed.

③ Interchangeability Mark

When a part change takes place, one of the following interchangeability symbols is indicated beside the part.

Symbol	Interchangeability	Contents note
N	Old $\begin{matrix} \leftarrow \text{Yes} \\ \text{No} \rightarrow \end{matrix}$ New	New Part is interchangeable for Old Part but Old Part is not interchangeable for New Part.
Q	Old $\begin{matrix} \leftarrow \text{No} \\ \text{Yes} \rightarrow \end{matrix}$ New	New Part is not interchangeable for Old Part but Old Part is interchangeable for New Part.
R	Old $\begin{matrix} \leftarrow \text{Yes} \\ \text{Yes} \rightarrow \end{matrix}$ New	New/ Old Parts are both interchangeable.
S	Old $\begin{matrix} \leftarrow \text{No} \\ \text{No} \rightarrow \end{matrix}$ New	New/ Old Parts are both not interchangeable.
W		Part newly added.
Z		Part discontinued.
F		Not interchangeable by a single part but interchangeable together with related parts.
K		Changes only for used parts quantities.

④ Effective Machine No.

When a part changes, the effective Machine No. will be indicated in the (A)-(F) column.

Product Symbol	Product No.	Product Symbol	Product No.
C	Clutch No. Compressor No.	F	Machine No. (Agricultural Equip.)
D	Drive No.	M	Machine No.
E	Engine No.		

Note 1) A date may follow the symbol. (Ex.) 1996.01

Note 2) "XXXXX" and "ZZZZZ" are for parts that could not be predicted or for engine models that could not be identified.

Note 3) (A=E00185) is the E (Engine Serial Number) for the column (A) model (in this case 4JH-DT) after the parts design change.

⑤ Remarks Mark

Figures or alphabets (symbols) are entered in the remarks column.

The comments (remarks) on parts that are indicated at the bottom of the illustration are the same symbols as those stated above.

Contents

Fig. No. Fig. Name

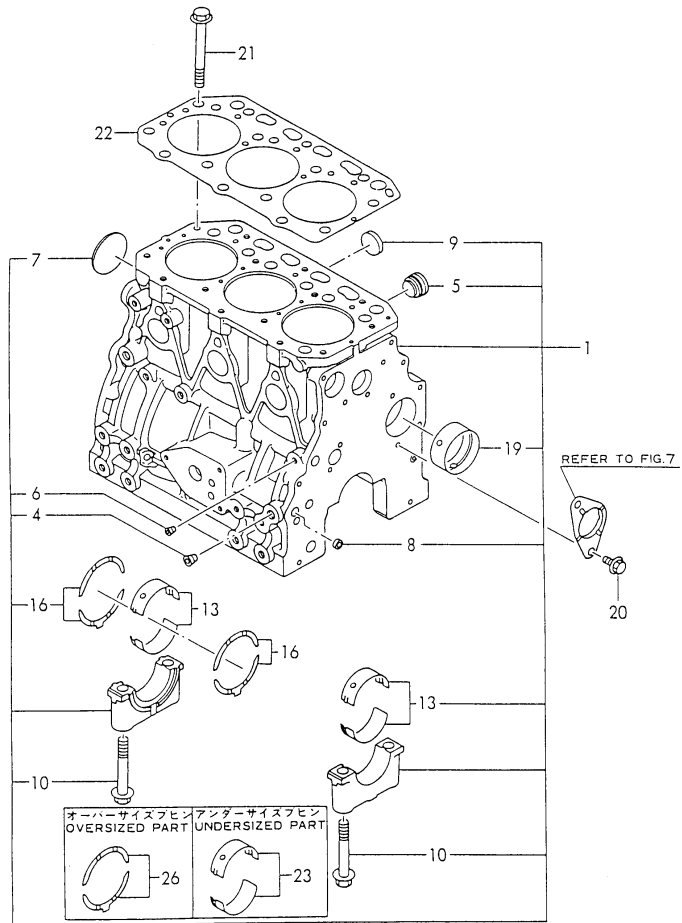
Fig. No. Fig. Name

3TNE84T-YW

1. CYLINDER BLOCK
2. GEAR HOUSING
3. MOUNTING FLANGE & L.O SUMP
4. CYLINDER HEAD & BONNET
5. SUCTION MANIFOLD
6. EXHAUST MANIFOLD
7. CAMSHAFT & DRIVING GEAR
8. TURBOCHARGER
9. TURBOCHARGER COMPONENT PART
10. CRANKSHAFT & PISTON
11. LUB.OIL SYSTEM
12. LUB.OIL LINE
13. COOLING WATER SYSTEM
14. FUEL INJECTION PUMP
15. FUEL INJECTION LINE
16. FUEL LINE
17. GOVERNOR
18. ENGINE STOP DEVICE
19. STARTING MOTOR
20. GENERATOR
21. GASKET SET & TOOL(OPTIONAL)

Fig.1. CYLINDER BLOCK

Y00D5610



(A)=3TNE84T-YW

(B)=

(C)=

(D)=

(E)=

(F)=

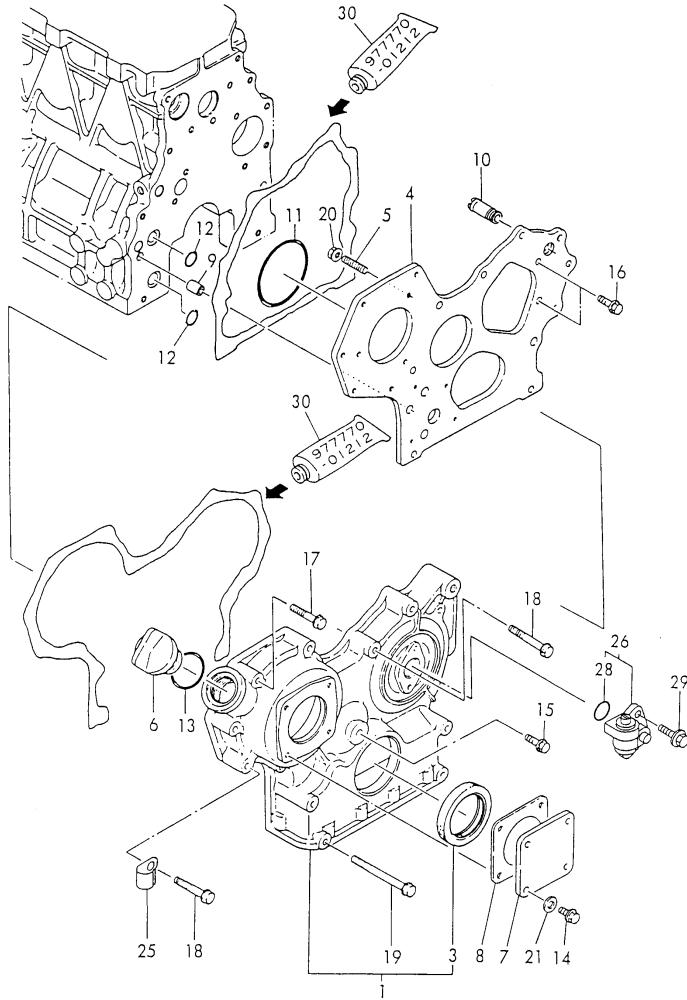
No.	Lev.	Parts No.	Description	Q'ty						I	R
				(A)	(B)	(C)	(D)	(E)	(F)		
1	1	729012-01560	BLOCK ASSY, CYLINDER	1							
4	2	124160-01910	PLUG, PT1/4	3							
5	2	171051-01921	PLUG, NPTF1	1							
6	2	23871-010000	PLUG, R01	1							
7	2	27231-500000	PLUG 50	1							
8	2	27241-120000	PLUG, 12	2							
9	2	27241-300000	PLUG 30	6							
10	2	129150-02020	BOLT, METAL CAP	8							
13	2	129001-02800	BEARING, MAIN	4							
16	2	129150-02930	BEARING, THRUST	2							
19	2	129795-02411	BUSH, CAMSHAFT	1							
20	1	26106-080162	BOLT, M8X 16 PLATED	2							
21	1	129150-01200	BOLT, HEAD	14							
22	1	129002-01331	GASKET, HEAD	1							
23	1	129150-02870	BEARING, 0.25 US	4							1
26	1	129150-02940	BEARING, THRUST 0.25	2							2

Remarks

- (1) UNDER-SIZE(U.S=0.25)PART.
- (2) OVER-SIZE(O.S=0.25)PART.

Fig.2. GEAR HOUSING

Y00D5610



(A)=3TNE84T-YW

(B)=

(C)=

(D)=

(E)=

(F)=

No.	Lev.	Parts No.	Description	Q'ty						I	R
				(A)	(B)	(C)	(D)	(E)	(F)		
1	1	719810-01500	CASE ASSY, GEAR	1							
3	2	129795-01800	SEAL, OIL	1							
4	1	129103-01530	FLANGE, GEAR CASE	1							
5	1	121450-01560	STUD, M8X22	3							
6	1	124160-01751	COVER, FILLER	1							
7	1	124240-01871	COVER	1							
8	1	124240-01883	GASKET	1							
9	1	129795-01950	PIPE, KNOCK L=18	2							
10	1	129122-44480	JOINT	1							
11	1	121850-51960	O-RING	1							
12	1	24311-000160	O-RING, 1AP16.0	2							
13	1	24311-000320	O-RING, 1AP32.0	1							
14	1	26106-080122	BOLT, M8X 12 PLATED	4							
15	1	26106-080162	BOLT, M8X 16 PLATED	1							
16	1	26106-080202	BOLT, M8X 20 PLATED	2							
17	1	26106-080452	BOLT, M8X 45 PLATED	6							
18	1	26106-080552	BOLT, M8X 55 PLATED	3							
19	1	26106-080852	BOLT, M8X 85 PLATED	4							
20	1	26366-080002	NUT, M8	3							
21	1	22190-080002	WASHER, SEAL 6	4							
25	1	129150-03100	RETAINER, PIPE	1							
26	1	129150-91400	GEAR	1							
28	2	24341-000240	O-RING, 1AS24.0	1							
29	1	26106-060162	BOLT, M6X 16 PLATED	2							
30	1	977770-01212	GASKET, LIQUID	1							1

Remarks

(1) OPTIONAL PART.

N:Old $\begin{matrix} \leftarrow \text{Yes} \\ \text{No} \end{matrix}$ New, Q:Old $\begin{matrix} \leftarrow \text{No} \\ \text{Yes} \end{matrix}$ New, R:Old $\begin{matrix} \leftarrow \text{Yes} \\ \text{Yes} \end{matrix}$ New, S:Old $\begin{matrix} \leftarrow \text{No} \\ \text{No} \end{matrix}$ New, W:Add, Z:Discontinued, F:Interchangeable by set, K:Q'ty Change

Fig.3. MOUNTING FLANGE & L.O SUMP

(A)=3TNE84T-YW

(B)=

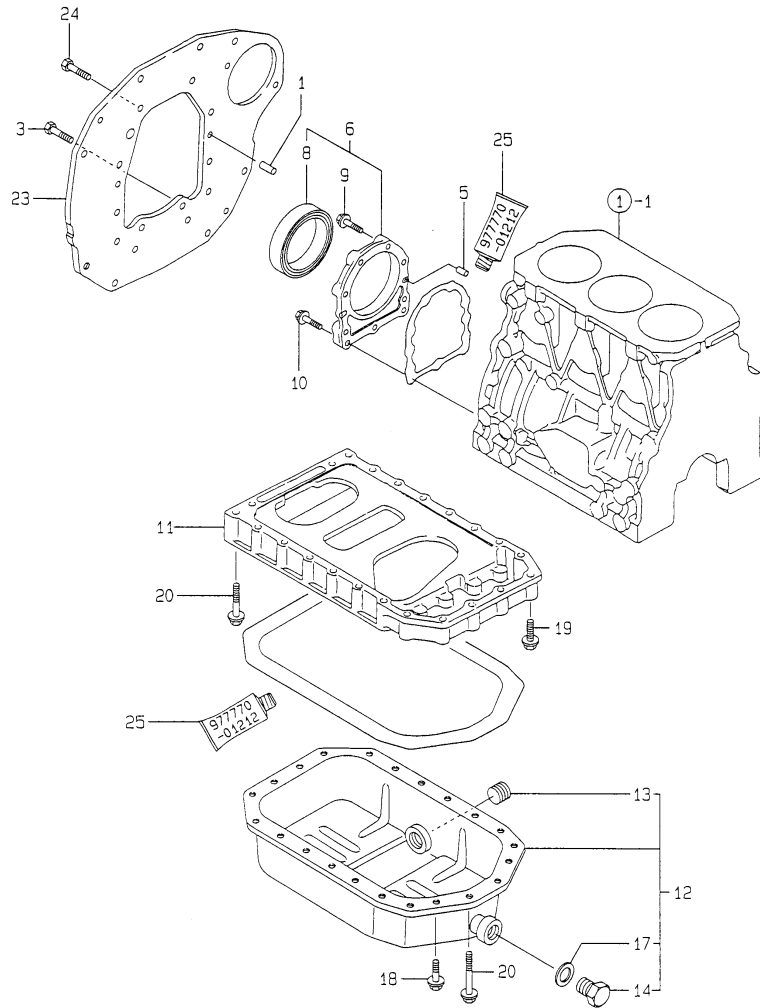
(C)=

(D)=

(E)=

(F)=

Y0005610
3TNE84T-YW



No.	Lev.	Parts No.	Description	Q'ty						I	R
				(A)	(B)	(C)	(D)	(E)	(F)		
1	1	129100-01580	PIN, M8X16	2							
3	1	26206-100252	BOLT, M10X 25 PLATED	4							
5	1	129100-01580	PIN, M8X16	2							
6	1	129100-01640	CASE ASSY, OIL SEAL	1							
8	2	129795-01780	SEAL, OIL	1							
9	1	26106-080302	BOLT, M8X 30 PLATED	6							
10	1	26106-080352	BOLT, M8X 35 PLATED	3							
11	1	129100-01730	SPACER, OIL SUMP	1							
12	1	129112-01770	SUMP ASSY, OIL	1							
13	2	129137-01640	PLUG, M22	1							
14	2	105425-01690	PLUG, 16	1							
17	2	22190-160002	WASHER, SEAL 16	1							
18	1	26106-080162	BOLT, M8X 16 PLATED	4							
19	1	26106-080252	BOLT, M8X 25 PLATED	2							
20	1	26106-080452	BOLT, M8X 45 PLATED	20							
23	1	129150-01600	FLANGE, MOUNTING	1							
24	1	26206-100202	BOLT, M10X 20 PLATED	6							
25	1	977770-01212	GASKET, LIQUID	1							1

Remarks

(1) OPTIONAL PART.

Fig.4. CYLINDER HEAD & BONNET

(A)=3TNE84T-YW

(B)=

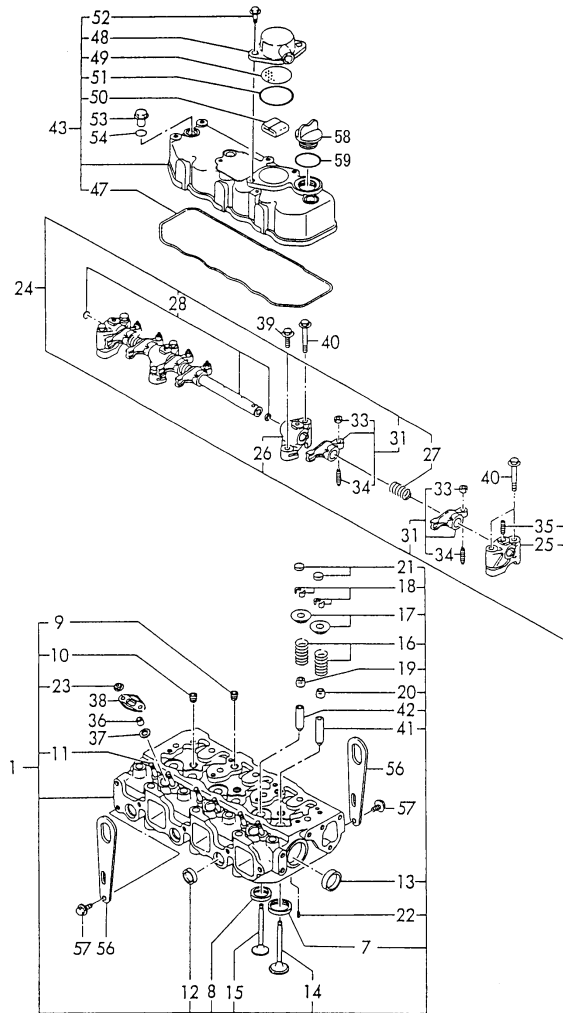
(C)=

(D)=

(E)=

(F)=

Y0005610



No.	Lev.	Parts No.	Description	Q'ty						I	R
				(A)	(B)	(C)	(D)	(E)	(F)		
1	1	729202-11710	HEAD ASSY, CYLINDER	1							
7	2	129470-11080	SEAT, INTAKE VALVE	3							
8	2	129470-11090	SEAT, EXHAUST VALVE	3							
9	2	121850-11860	PLUG, PT1/4	2							
10	2	23871-030000	PLUG, R03	3							
11	2	26216-060202	STUD, M6X 20	6							
12	2	27241-220000	PLUG, 22	3							
13	2	27241-400000	PLUG, 40	2							
14	2	129100-11100	VALVE, INTAKE	3							
15	2	129100-11130	VALVE, EXHAUST	3							
16	2	129795-11120	SPRING, VALVE	6							
17	2	129795-11180	RETAINER, SPRING	6							
18	2	27310-080001	COTTER, 8	6							
19	2	121400-11340	SEAL, VALVE STEM	3							
20	2	124460-11340	SEAL, VALVE STEM	3							
21	2	129150-11370	CAP, VALVE	6							
22	2	22351-060012	PIN, SPRING 6.0X12	2							
23	2	26366-060002	NUT, M6	6							
24	1	129155-11241	SHAFT ASSY, ROCKER	1							
25	2	129155-11260	SUPPORT, ROCKER ARM	2							
26	2	129155-11270	SUPPORT, ROCKER ARM	2							
27	2	129150-11280	SPRING	3							
28	2	129150-11290	SHAFT, ROCKER ARM	1							
31	2	729402-11650	ARM ASSY, ROCKER	6							
33	3	129150-11750	NUT, M8	6							
34	3	129150-11230	SCREW, VALVE ADJUST	6							
35	2	26226-080182	STUD, M8X 18	3							
36	1	119625-11871	PROTECTOR, NOZZLE	3							
37	1	119625-11880	SEAT, NOZZLE	3							
38	1	119625-11900	RETAINER, NOZZLE	3							
39	1	26106-080252	BOLT, M8X 25 PLATED	2							
40	1	26106-080502	BOLT, M8X 50 PLATED	6							
41	1	120130-11860	GUIDE, VALVE	3							1
42	1	129150-11810	GUIDE, VALVE	3							1
43	1	129100-11350	BONNET ASSY, HEAD	1							
47	2	129150-11310	GASKET, BONNET	1							
48	2	129150-03020	COVER, BREATHER	1							
49	2	129150-03080	PLATE, BAFFLE	1							
50	2	129150-03070	BAFFLE, BREATHER	1							
51	2	24341-000500	O-RING, 1AS50.0	1							
52	2	26106-080162	BOLT, M8X 16 PLATED	2							
53	1	124160-11360	KNOB	3							
54	1	24311-000120	O-RING, 1AP12.0	3							
56	1	124736-07900	LIFTER	2							
57	1	26106-080142	BOLT, M8X 14 PLATED	4							
58	1	124160-01751	COVER, FILLER	1							
59	1	24311-000320	O-RING, 1AP32.0	1							

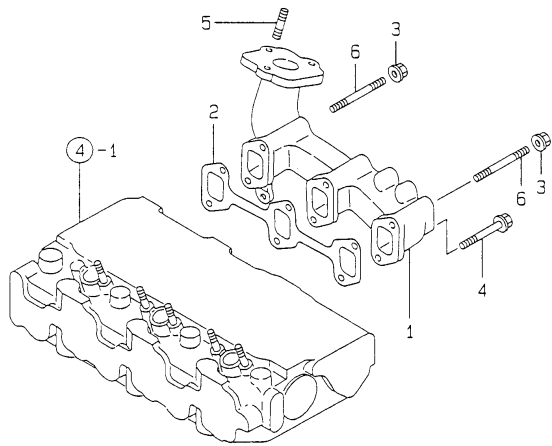
Remarks

(1) REPAIR PART.

N:Old $\begin{matrix} \text{Yes} \\ \text{No} \end{matrix}$ New, Q:Old $\begin{matrix} \text{No} \\ \text{Yes} \end{matrix}$ New, R:Old $\begin{matrix} \text{Yes} \\ \text{No} \end{matrix}$ New, S:Old $\begin{matrix} \text{No} \\ \text{Yes} \end{matrix}$ New, W:Add, Z:Discontinued, F:Interchangeable by set, K:Q'ty Change

Fig.6. EXHAUST MANIFOLD

Y00D5610
3TNE84T-YW



(A)=3TNE84T-YW
(B)=
(C)=

(D)=
(E)=
(F)=

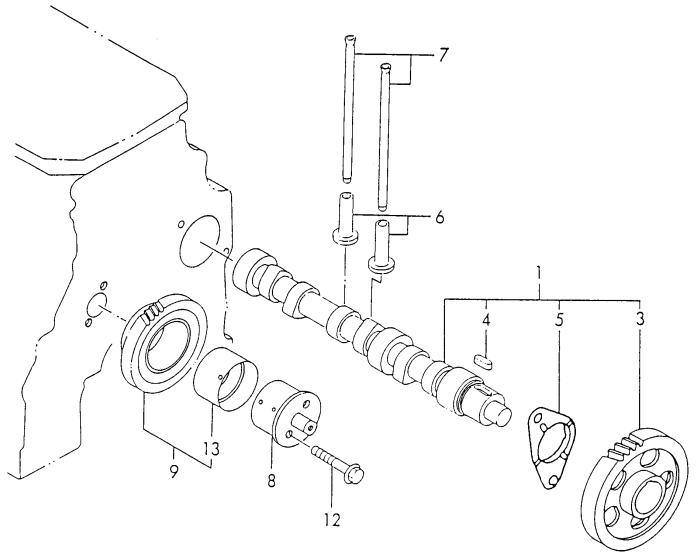
No.	Lev.	Parts No.	Description	Q'ty						I	R
				(A)	(B)	(C)	(D)	(E)	(F)		
1	1	129139-13100	MANIFOLD, EXHAUST	1							
2	1	129150-13110	GASKET	1							
3	1	194990-22050	NUT, M8	2							
4	1	26106-080802	BOLT, M8X 80 PLATED	4							
5	1	26216-080222	STUD, M8X 22	3							
6	1	26216-080802	STUD, M8X 80	2							

Fig.7. CAMSHAFT & DRIVING GEAR

(A)=3TNE84T-YW
(B)=
(C)=

(D)=
(E)=
(F)=

Y00D5610

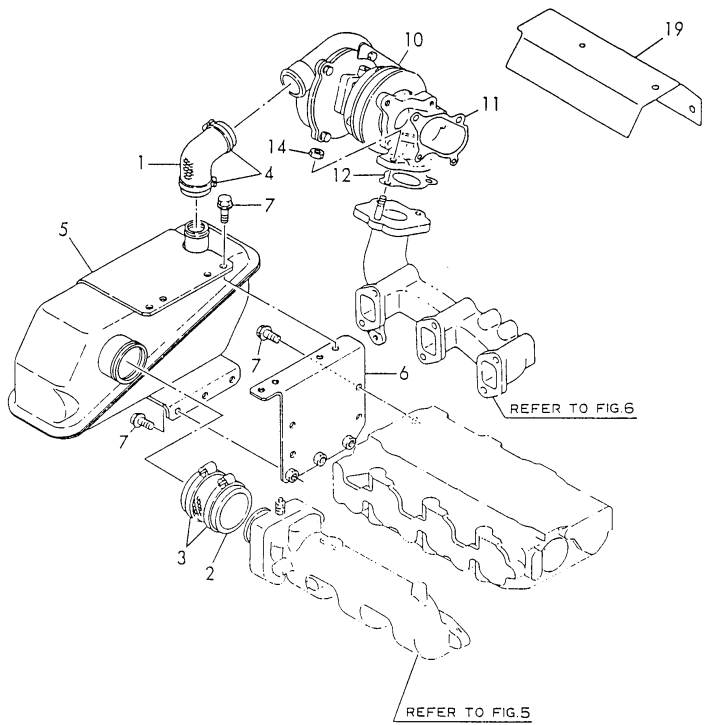


No.	Lev.	Parts No.	Description	Q'ty						I	R
				(A)	(B)	(C)	(D)	(E)	(F)		
1	1	129129-14580	CAMSHAFT ASSY	1							
3	2	129150-14101	GEAR, CAMSHAFT	1							
4	2	22512-070140	KEY, 7X 14	1							
5	2	129150-02450	BEARING, THRUST	1							
6	1	129150-14200	TAPPET	6							
7	1	129150-14400	ROD, PUSH L=178	6							
8	1	129100-25061	SHAFT, IDLE	1							
9	1	129150-25101	GEAR ASSY, IDLE	1							
12	1	26106-080452	BOLT, M8X 45 PLATED	2							
13	1	129150-25920	BUSH, IDLE GEAR	1							1

Remarks
(1) REPAIR PART.

Fig.8. TURBOCHARGER

Y0005610



(A)=3TNE84T-YW

(B)=

(C)=

(D)=

(E)=

(F)=

No.	Lev.	Parts No.	Description	Q'ty						I	R
				(A)	(B)	(C)	(D)	(E)	(F)		
1	1	129139-12050	HOSE, WATER	1							
2	1	129122-12060	HOSE	1							
3	1	23000-060000	CLAMP, 60	2							
4	1	23000-041000	CLAMP, 41	2							
5	1	129139-12200	TANK, SURGE	1							
6	1	129122-12211	BRACKET	1							
7	1	26106-080162	BOLT, M8X 16 PLATED	11							
10	1	129137-18010	TURBINE, RHB31W/G	1							
11	1	129403-18091	GASKET	1							
12	1	129477-18101	GASKET	1							
14	1	194990-22050	NUT, M8	3							
19	1	129137-13410	COVER, TURBINE	1							

Fig.9. TURBOCHARGER COMPONENT PART

Y00D5610

(A)=3TNE84T-YW

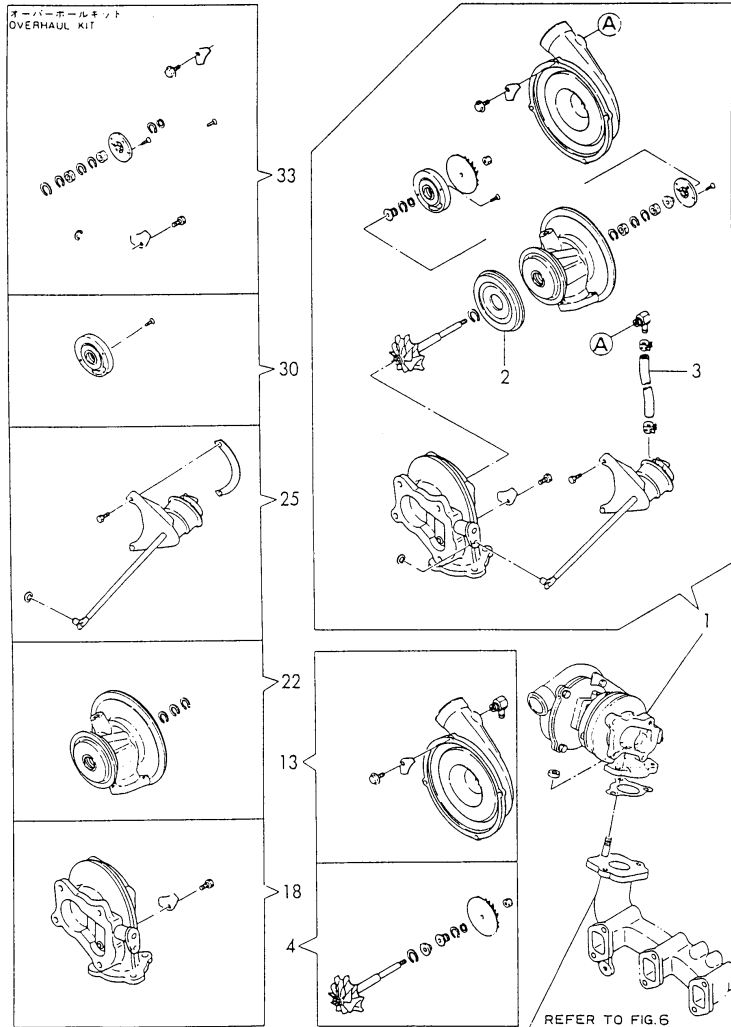
(B)=

(C)=

(D)=

(E)=

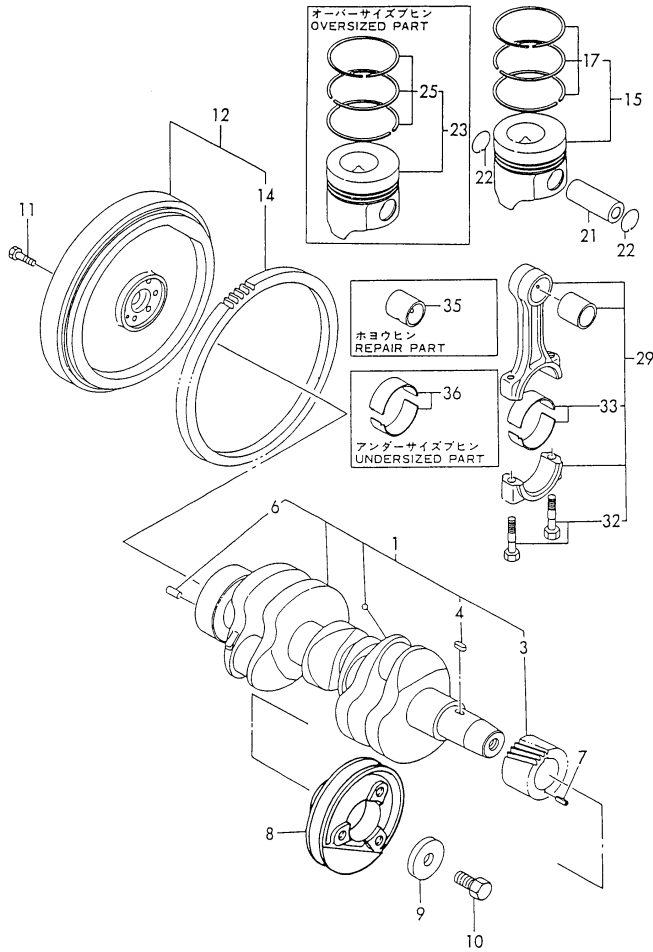
(F)=



No.	Lev.	Parts No.	Description	Q'ty						I	R
				(A)	(B)	(C)	(D)	(E)	(F)		
1	1	129137-18010	TURBINE, RHB31W/G	1							
2	2	129403-18720	PROTECTOR, HEAT	1							
3	2	129403-18750	HOSE	1							
4	2	129403-18770	ROTOR ASSY, TURBO	1							
13	2	129403-18780	HOUSING ASSY, BLOWER	1							
18	2	XNB13982500	HOUSING ASSY, TURBO	1							
22	2	129403-18800	HOUSING ASSY, BEARING	1							
25	2	XNB13982600	CONTROL ASSY	1							
30	2	XNB13981500	SEAL PLATE ASSY	1							
33	2	XNB13982700	OVERHAUL KIT	1							

Fig.10. CRANKSHAFT & PISTON

Y00D5610



(A)=3TNE84T-YW

(B)=

(C)=

(D)=

(E)=

(F)=

No.	Lev.	Parts No.	Description	Q'ty						I	R
				(A)	(B)	(C)	(D)	(E)	(F)		
1	1	129001-21000	CRANKSHAFT ASSY	1							
3	2	129150-21200	GEAR, CRANKSHAFT	1							
4	2	22512-070140	KEY, 7X 14	1							
6	2	129100-01580	PIN, M8X16	1							
7	1	22351-040010	PIN, SPRING 4.0X10	1							
8	1	171340-21650	V-PULLEY	1							
9	1	129795-21661	WASHER	1							
10	1	121850-21680	BOLT	1							
11	1	121111-21501	BOLT, FLYWHEEL	6							
12	1	171350-21590	FLYWHEEL ASSY	1							
14	2	124550-21600	GEAR, RING	1							
15	1	129002-22090	PISTON ASSY	3							
17	2	129002-22510	RING SET, PISTON	3							
21	1	129202-22300	PIN, PISTON D26 L70	3							
22	1	22252-000260	RING, 26	6							
23	1	129002-22900	PISTON ASSY, 0.25 OS	3							1
25	2	129002-22950	RING SET, 0.25 OS	3							1
29	1	729402-23100	ROD ASSY, CONNECTING	3							
32	2	121550-23200	BOLT, CONNECTING ROD	6							
33	2	129150-23600	BEARING, CRANK PIN	3							
35	1	129100-23910	BEARING, PISTON PIN	3							2
36	1	129150-23610	BEARING, 0.25 US	3							3

Remarks

(1) OVER-SIZE(O.S=0.25)PART.

(2) REPAIR PART.

(3) UNDER-SIZE(U.S=0.25)PART.

Fig.11. LUB.OIL SYSTEM

(A)=3TNE84T-YW

(B)=

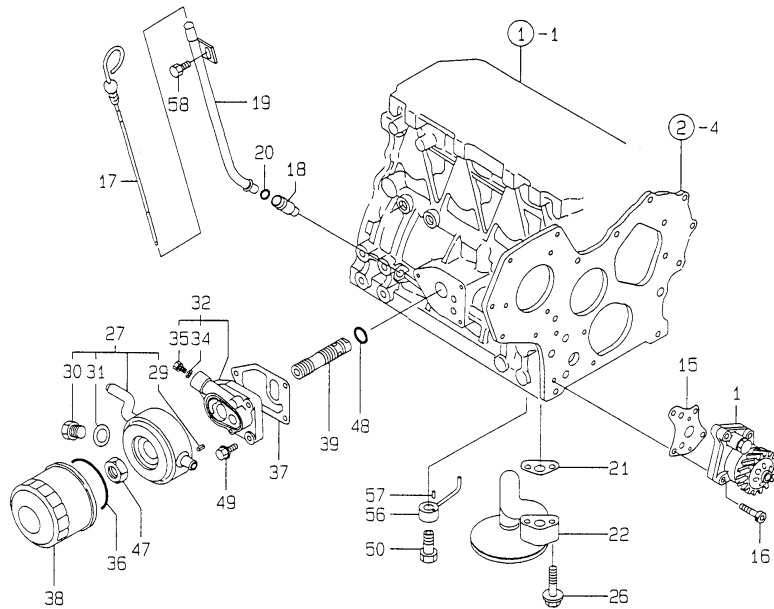
(C)=

(D)=

(E)=

(F)=

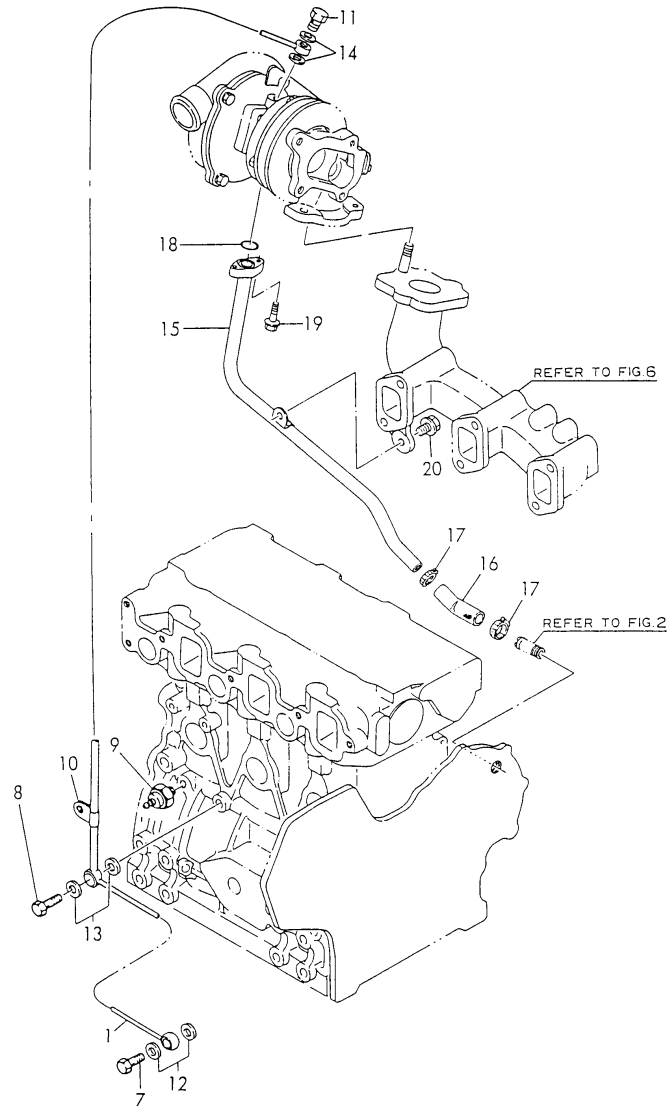
Y00D5610
3TNE84T-YW



No.	Lev.	Parts No.	Description	Q'ty						I	R
				(A)	(B)	(C)	(D)	(E)	(F)		
1	1	129418-32000	PUMP ASSY, OIL	1							
15	1	129150-32020	GASKET, PUMP	1							
16	1	26450-060252	BOLT, M6X 25	4							
17	1	129128-34800	DIPSTICK, OIL	1							
18	1	119260-34810	GUIDE, DIPSTICK	1							
19	1	129136-34820	GUIDE, DIPSTICK	1							
20	1	24311-240100	O-RING, 1AP10A	1							
21	1	129150-35041	GASKET	1							
22	1	129150-35091	PIPE ASSY, OIL INLET	1							
26	1	26106-080352	BOLT, M8X 35 PLATED	2							
27	1	129012-33000	COOLER ASSY, OIL	1							
29	2	129120-33040	PIN	2							
30	2	129120-33051	PLUG, DRAIN	1							
31	2	129120-33060	GASKET	1							
32	1	129120-35001	BRACKET ASSY	1							
34	2	23414-100000	GASKET, 10X1.0	1							
35	2	23881-100002	PLUG, 10	1							
36	1	129120-35110	GASKET	1							
37	1	129120-35121	GASKET	1							
38	1	129150-35151	FILTER, D80XL80	1							
39	1	129407-35300	BOLT, FILTER	1							
47	1	129150-35350	NUT	1							
48	1	24311-000160	O-RING, 1AP16.0	1							
49	1	26106-080252	BOLT, M8X 25 PLATED	3							
50	1	129792-39410	VALVE ASSY, CHECK	3							
56	1	129553-39650	NOZZLE	3							
57	1	22351-030010	PIN, SPRING 3.0X10	3							
58	1	26106-080252	BOLT, M8X 25 PLATED	1							

Fig.12. LUB.OIL LINE

Y0005610



(A)=3TNE84T-YW
(B)=
(C)=

(D)=
(E)=
(F)=

No.	Lev.	Parts No.	Description	Q'ty						I	R
				(A)	(B)	(C)	(D)	(E)	(F)		
1	1	129139-39030	PIPE ASSY, OIL	1							
7	1	105010-39140	BOLT, PIPE JOINT	1							
8	1	124160-39140	BOLT, PIPE JOINT M10	1							
9	1	121252-39450	SWITCH, 0.5KG	1							
10	1	124223-39900	RETAINER	1							
11	1	124550-59820	BOLT, PIPE JOINT M8	1							
12	1	23414-080000	GASKET, 8X1.0	2							
13	1	23414-100000	GASKET, 10X1.0	2							
14	1	22190-080002	WASHER, SEAL 6	2							
15	1	129139-39601	PIPE, OIL	1							
16	1	129403-39610	JOINT, RUBBER	1							
17	1	23000-022000	CLAMP, 22	2							
18	1	24314-000160	O-RING, 4CP16.0	1							
19	1	26106-060162	BOLT, M6X 16 PLATED	2							
20	1	26106-080122	BOLT, M8X 12 PLATED	1							

Fig.13. COOLING WATER SYSTEM

(A)=3TNE84T-YW

(B)=

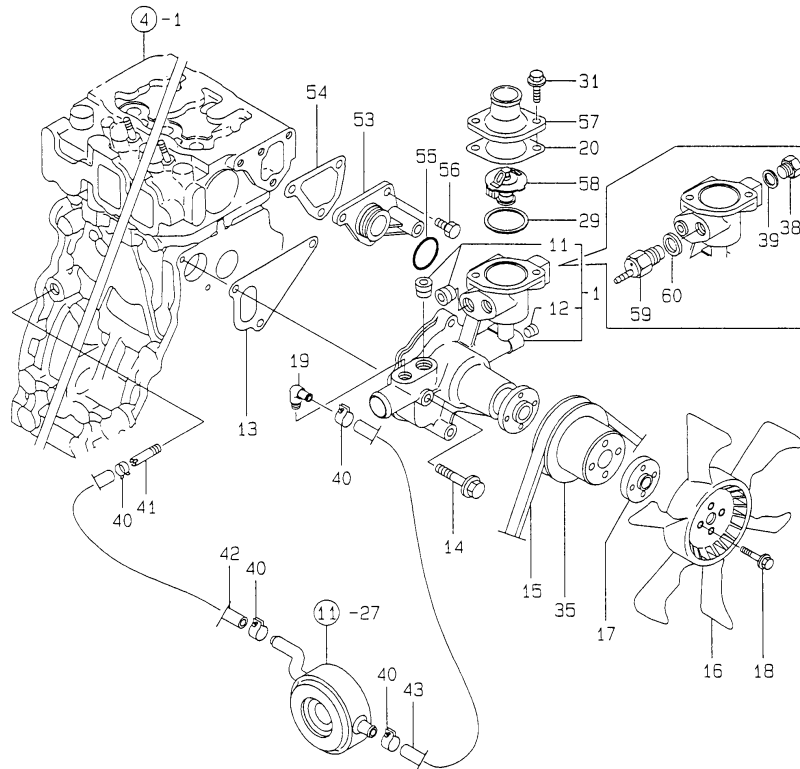
(C)=

(D)=

(E)=

(F)=

Y00D5610
3TNE84T-YW



No.	Lev.	Parts No.	Description	Q'ty						I	R
				(A)	(B)	(C)	(D)	(E)	(F)		
1	1	129001-42001	PUMP ASSY, WATER	1							
11	2	23871-030000	PLUG, R03	2							
12	2	23871-010000	PLUG, R01	1							
13	1	129100-42020	GASKET, WATER PUMP	1							
14	1	26106-080602	BOLT, M8X 60 PLATED	3							
15	1	25132-003800	V-BELT, A38	1							
16	1	171440-44740	FAN, COOLING D350XQF	1							
17	1	124574-44761	SPACER, FAN	1							
18	1	26014-060252	BOLT, M6X 25	4							
19	1	129103-49301	ELBOW, PT1/4	1							
20	1	129795-49551	GASKET	1							
29	1	129150-49811	GASKET, THERMOSTAT	1							
31	1	26106-080202	BOLT, M8X 20 PLATED	2							
35	1	129550-42350	V-PULLEY, D=120	1							
38	1	121450-42450	PLUG, M16	1							
39	1	124465-44950	GASKET, 16	1							
40	1	23000-022000	CLAMP, 22	4							
41	1	104207-44480	JOINT	1							
42	1	129012-49030	HOSE, WATER	1							
43	1	129403-49050	PIPE, WATER	1							
53	1	129001-42040	JOINT	1							
54	1	129100-49840	GASKET	1							
55	1	24321-000300	O-RING, 1AG30.0	1							
56	1	26106-080182	BOLT, M8X 18 PLATED	3							
57	1	129350-49560	COVER, THERMOSTAT	1							
58	1	129574-49800	THERMOSTAT, 82	1							
59	1	124250-49351	SENSOR	1							
60	1	129150-49360	GASKET	1							

Fig.14. FUEL INJECTION PUMP

(A)=3TNE84T-YW

(B)=

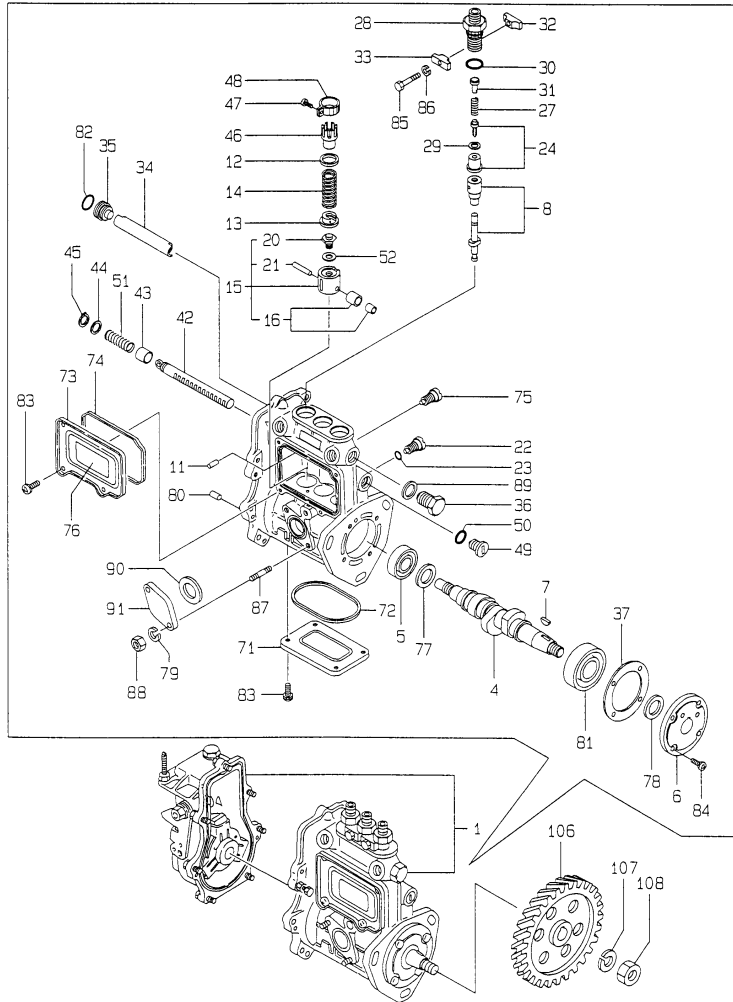
(C)=

(D)=

(E)=

(F)=

Y00D5610
3TNE84T-YW



No.	Lev.	Parts No.	Description	Q'ty						I	R
				(A)	(B)	(C)	(D)	(E)	(F)		
1	1	729012-51390	PUMP ASSY, INJECTION	1							1
4	2	119810-51040	CAMSHAFT	1							
5	2	129155-51050	BEARING, 17BM001D	1							
6	2	129155-51060	SUPPORT, CAMSHAFT	1							
7	2	122710-51090	KEY	1							
8	2	129506-51100	PLUNGER ASSY	3							
11	2	129155-51140	PIN	3							
12	2	174307-51170	RETAINER, SPRING A	3							
13	2	129155-51180	RETAINER, SPRING	3							
14	2	124950-51190	SPRING, PLUNGER	3							
15	2	129155-51200	TAPPET ASSY	3							
16	3	711100-51540	ROLLER ASSY	3							
20	3	129155-51250	BOLT, ADJUSTING	3							
21	3	174100-54120	PIN	3							
22	2	129155-51270	STOPPER, TAPPET	3							
23	2	129155-51280	O-RING, S6	3							
24	2	129505-51300	VALVE ASSY, DELIVERY	3							
27	2	129155-51320	SPRING, DELIVERY	3							
28	2	129155-51340	RETAINER	3							
29	2	124550-51350	GASKET, DELIVERY	3							
30	2	124550-51370	O-RING	3							
31	2	129155-51370	STOPPER, VALVE	3							
32	2	129155-51380	STOPPER	2							
33	2	129155-51390	STOPPER	2							
34	2	129155-51400	DEFLECTOR	1							
35	2	129155-51410	BOLT	1							
36	2	129155-51420	PLUG, M16	1							
37	2	129155-51450	SHIM SET, ADJUSTING	1							
42	2	129155-51500	RACK, CONTROL	1							
43	2	129155-51521	BUSH, RACK	1							
44	2	129155-51530	SPACER	1							
45	2	129155-51540	CIRCLIP	1							
46	2	129155-51550	PINION, CONTROL	3							
47	2	122117-51560	SCREW	3							
48	2	174307-51560	PINION	3							
49	2	129155-51570	PLUG, M12	1							
50	2	129155-51580	O-RING	1							
51	2	129155-51591	SPRING, RACK	1							
52	2	129155-51600	SHIM SET, ADJUSTING	3							
71	2	129155-51700	COVER	1							
72	2	129155-51710	GASKET	1							
73	2	129155-51750	COVER	1							
74	2	129155-51760	GASKET	1							
75	2	129155-51790	STOOPER, RACK	1							
76	2	129156-51910	LABEL, CAUTION	1							
77	2	129155-51930	SPACER, T=3.25	1							
78	2	129155-51940	SPACER, T=1.5	1							
79	2	22217-060000	WASHER, SPRING 6	2							
80	2	22351-050010	PIN, SPRING 5.0X10	2							
81	2	24101-063034	BEARING, BALL 6303	1							
82	2	24341-000160	O-RING, 1AS16.0	1							

Remarks

(1) GOVERNOR ASSY(FIG.NO.17)IS
INCORPORATED IN THIS FUEL
INJECTION PUMP ASSY(REF NO.1)

Fig.14. FUEL INJECTION PUMP

(A)=3TNE84T-YW

(B)=

(C)=

(D)=

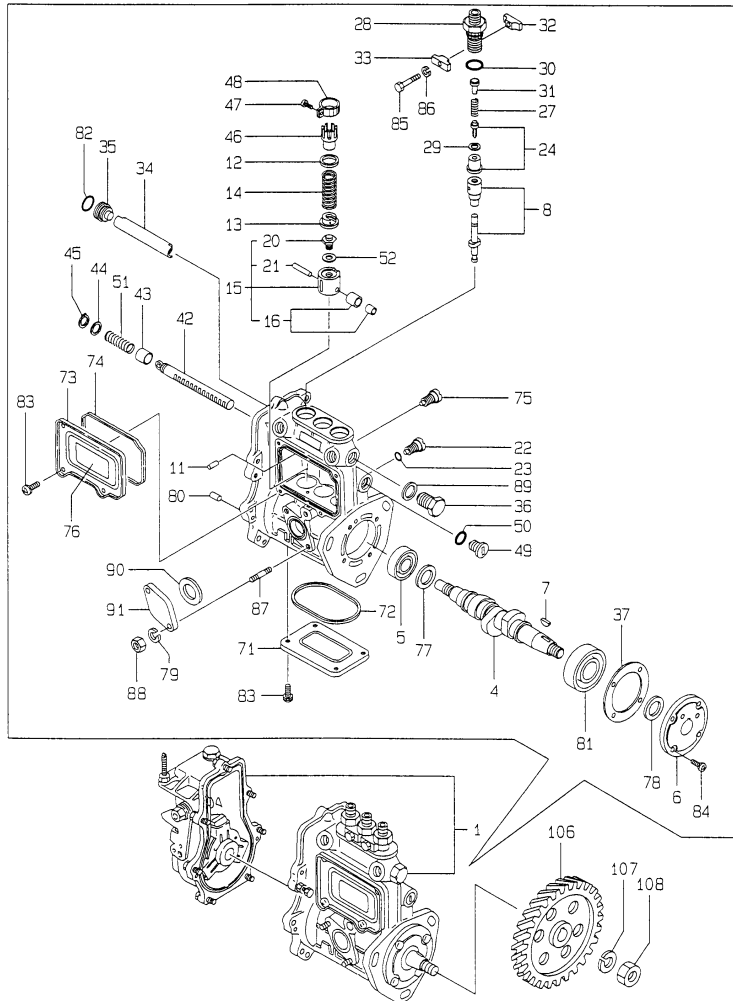
(E)=

(F)=

Q'ty

No.	Lev.	Parts No.	Description	(A)	(B)	(C)	(D)	(E)	(F)	I	R
83	2	26022-050102	SCREW, M5X10	8							
84	2	26022-060162	SCREW, M6X16	4							
85	2	26116-050302	BOLT, M5X 30 PLATED	2							
86	2	22217-050000	WASHER, SPRING 5	2							
87	2	129155-51020	STUD	2							
88	2	26716-060002	NUT, M6	2							
89	2	22190-160002	WASHER, SEAL 16	1							
90	2	129155-52050	GASKET	1							
91	2	129100-52200	COVER	1							
106	1	129150-25900	GEAR, PUMP	1							
107	1	22217-120000	WASHER, SPRING 12	1							
108	1	26716-120002	NUT, M12	1							

Y0005610
3TNE84T-YW

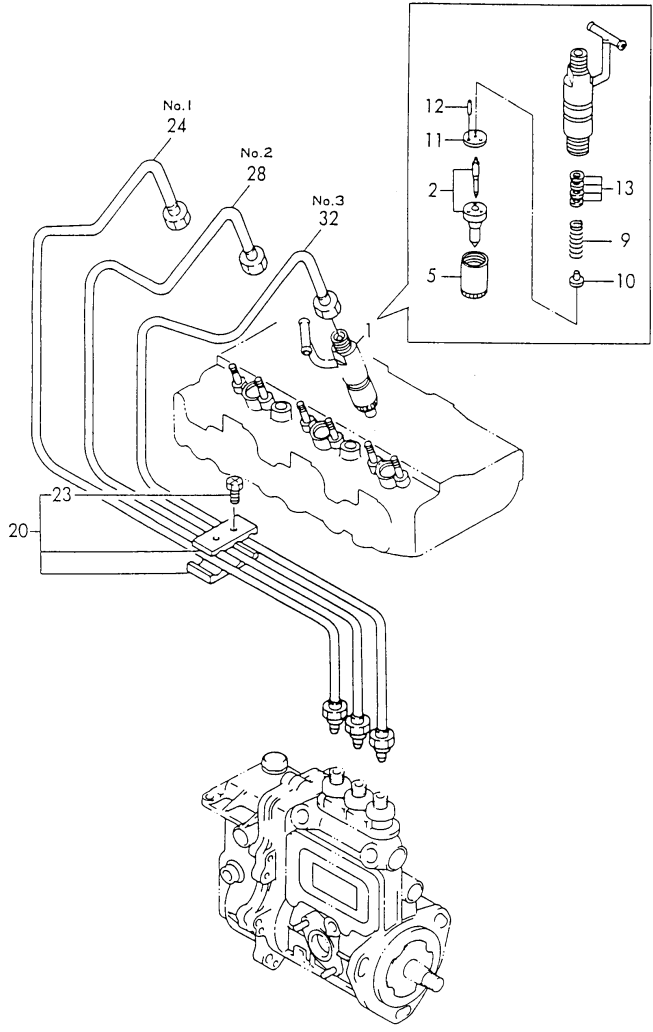


Remarks

(1) GOVERNOR ASSY(FIG.NO.17)IS
INCORPORATED IN THIS FUEL
INJECTION PUMP ASSY(REF NO.1)

Fig.15. FUEL INJECTION LINE

Y00D5610



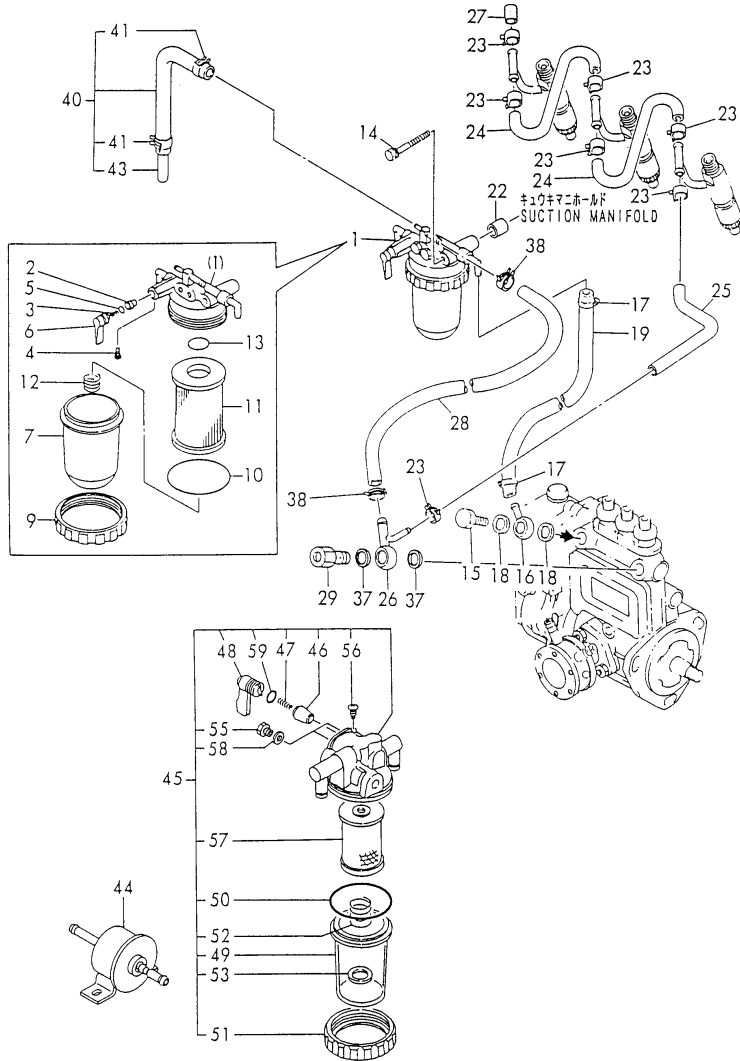
(A)=3TNE84T-YW
(B)=
(C)=

(D)=
(E)=
(F)=

No.	Lev.	Parts No.	Description	Q'ty						I	R
				(A)	(B)	(C)	(D)	(E)	(F)		
1	1	729503-53200	VALVE ASSY,INJECTION	3							
2	2	129503-53050	VALVE ASSY,INJECTION	3							
5	2	114250-53080	NUT, NOZZLE D16.95	3							
9	2	114250-53120	SPRING, NOZZLE	3							
10	2	114250-53130	SEAT, SPRING	3							
11	2	114250-53140	PLATE	3							
12	2	114250-53210	PIN	6							
13	2	114250-53400	SHIM SET	3							
20	1	129150-59120	RETAINER, PIPE	1							
23	2	129150-59131	BOLT, M4X14	2							
24	1	129100-59912	PIPE ASSY, INJECTION	1							
28	1	129100-59922	PIPE ASSY, INJECTION	1							
32	1	129100-59932	PIPE ASSY, INJECTION	1							

Fig.16. FUEL LINE

Y0005610



(A)=3TNE84T-YW

(B)=

(C)=

(D)=

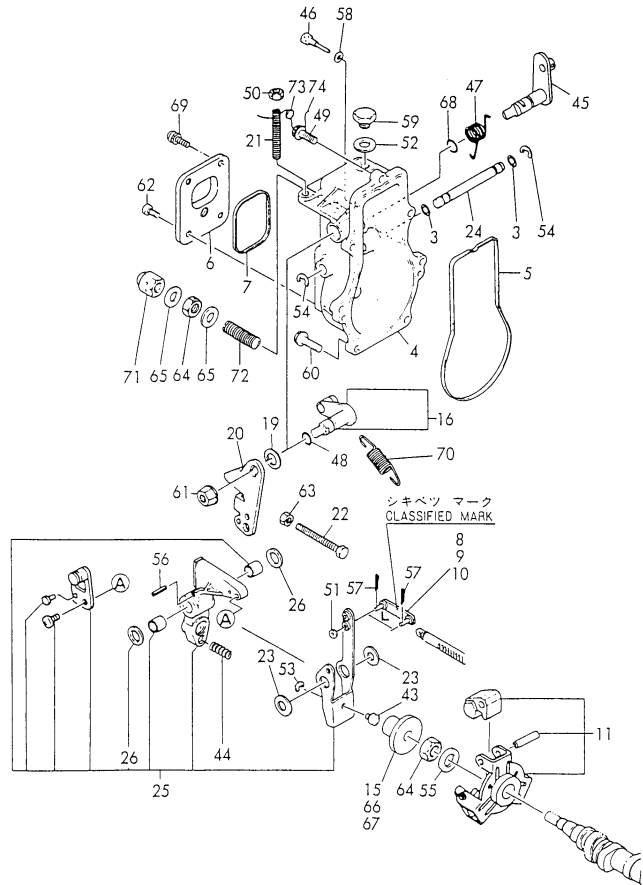
(E)=

(F)=

No.	Lev.	Parts No.	Description	Q'ty						I	R
				(A)	(B)	(C)	(D)	(E)	(F)		
1	1	129052-55620	FILTER ASSY, FUEL	1							
2	2	104200-55321	VALVE, TAPER	1							
3	2	104200-55330	SPRING, VALVE	1							
4	2	104200-55750	SCREW, M4	1							
5	2	24311-240100	O-RING, 1AP10A	1							
6	2	129100-55670	LEVER	1							
7	2	129100-55680	CUP, STRAINER	1							
9	2	129100-55690	RING, RETAINING	1							
10	2	24321-000650	O-RING, 1AG65.0	1							
11	2	129100-55650	ELEMENT	1							
12	2	129100-55700	SPRING	1							
13	2	24311-000160	O-RING, 1AP16.0	1							
14	1	26014-080852	BOLT, M8X 85	1							
15	1	103854-39140	BOLT, PIPE JOINT	1							
16	1	101304-59020	JOINT, PIPE 12	1							
17	1	124766-59050	CLIP, HOSE 12	2							
18	1	104200-59170	GASKET, 12	2							
19	1	129555-59510	PIPE, D13/7.5X180	1							
22	1	129411-55690	SPACER	1							
23	1	124066-59100	CLIP, HOSE 8	7							
24	1	121250-59550	PIPE, FUEL D8X120	2							
25	1	119840-59560	PIPE, FUEL RETURN	1							
26	1	119840-59570	JOINT	1							
27	1	129150-59580	CAP	1							
28	1	129255-59580	PIPE, FUEL	1							
29	1	129100-59951	VALVE ASSY, CHECK	1							
37	1	23414-120000	GASKET, 12X1.0	2							
38	1	124766-59050	CLIP, HOSE 12	2							
40	1	119840-59601	BEND	1							
41	2	124766-59050	CLIP, HOSE 12	2							
43	2	119840-59621	JOINT	1							
44	1	119225-52102	PUMP ASSY, FUEL FEED	1							
45	1	129335-55700	SEPARATOR ASSY,WATER	1							
46	2	104200-55321	VALVE, TAPER	1							
47	2	104200-55330	SPRING, VALVE	1							
48	2	104200-55341	HANDLE	1							
49	2	124064-55510	COVER	1							
50	2	102103-55520	O-RING	1							
51	2	110250-55610	RING, RETAINING	1							
52	2	121257-55720	SPRING	1							
53	2	121257-55731	FLOAT	1							
55	2	101720-55750	PLUG, 6	2							
56	2	104200-55750	SCREW, M4	1							
57	2	171081-55910	SCREEN	1							
58	2	23418-060000	GASKET, 6X1.0	2							
59	2	24311-240100	O-RING, 1AP10A	1							

Fig.17. GOVERNOR

Y0005610



Remarks

- (1) SELECTIVE PARTS : CERTAIN THE CLASSIFICATION MARK, THEN PLACE YOUR ORDER.(ILLUSTRATION)
- (2) SELECTIVE PARTS.

(A)=3TNE84T-YW

(B)=

(C)=

(D)=

(E)=

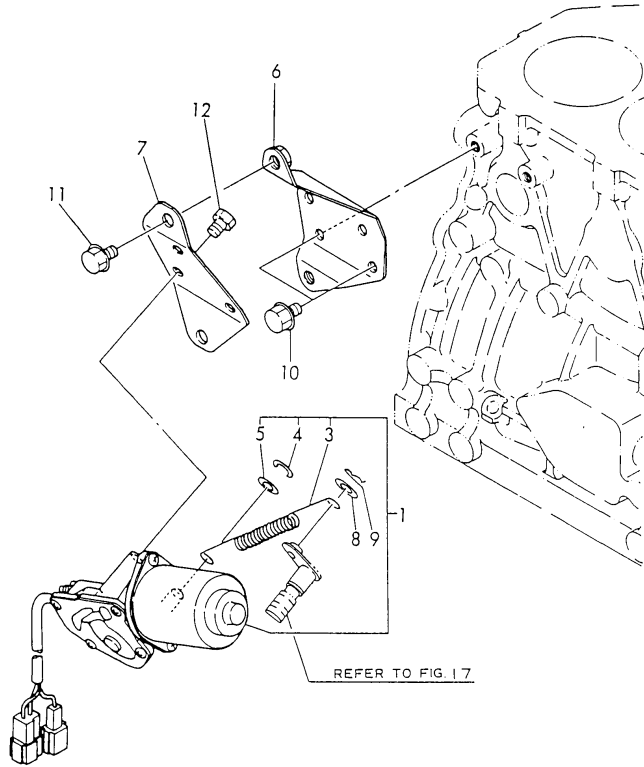
(F)=

No.	Lev.	Parts No.	Description	Q'ty						I	R
				(A)	(B)	(C)	(D)	(E)	(F)		
3	2	129155-51280	O-RING, S6	2							
4	2	129155-61012	CASE, GOVERNOR	1							
5	2	129155-61050	GASKET	1							
6	2	129155-61060	COVER, GOVERNOR CASE	1							
7	2	129155-61070	GASKET	1							
8	2	129155-61120	LINK, L=30 MARK 0	1							1
9	2	129155-61130	LINK, L=31 MARK 1	1							1
10	2	129155-61140	LINK, L=30.5 MARK 05	1							1
11	2	129155-61201	WEIGHT ASSY,GOVERNOR	1							
15	2	129155-61341	SLEEVE	1							2
16	2	129100-61400	SHAFT ASSY	1							
19	2	129155-61430	SPACER	1							
20	2	129100-61440	LEVER, CONTROL	1							
21	2	129155-61450	BOLT, LIMITER	1							
22	2	129155-61460	BOLT, IDLE	1							
23	2	129155-61480	SPACER ASSY	2							
24	2	129155-61490	SHAFT	1							
25	2	129500-61501	LEVER ASSY, GOVERNOR	1							
26	3	174307-51700	SHIM SET	2							
43	2	129155-61540	SHIFTER	1							
44	2	129100-61650	SPRING, CONTROLLER	1							
45	2	129255-61802	LEVER, STOP	1							
46	2	129155-61810	PIN	1							
47	2	129100-61821	SPRING, RETURN	1							
48	2	129155-61830	O-RING, S10	1							
49	2	129155-61950	BOLT	1							
50	2	124550-66370	NUT, M6	1							
51	2	22117-040000	WASHER, 4	1							
52	2	22190-100002	WASHER, SEAL 10	1							
53	2	22272-000040	RING, E- 4	1							
54	2	22272-000060	RING, E- 6	2							
55	2	22287-120000	WASHER, 12	1							
56	2	22351-030016	PIN, SPRING 3.0X16	1							
57	2	22372-040000	PIN, SNAP 4	2							
58	2	22190-060002	WASHER, SEAL 6	1							
59	2	23887-100002	PLUG, 10	1							
60	2	26106-060202	BOLT, M6X 20 PLATED	6							
61	2	26366-080002	NUT, M8	1							
62	2	26022-050102	SCREW, M5X10	1							
63	2	26756-060002	NUT, LOCK M6	1							
64	2	26776-120002	NUT, LOCK M12	2							
65	2	22190-120002	WASHER, SEAL 12	2							
66	2	129155-61350	SLEEVE, L=24.9	1							2
67	2	129155-61360	SLEEVE, L=25.2	1							2
68	2	24311-240100	O-RING, 1AP10A	1							
69	2	26023-050102	SCREW, M5X10	2							
70	2	129489-61700	SPRING, GOVERNOR	1							
71	2	26687-120002	NUT, CAP M12	1							
72	2	129155-61470	BOLT, CONTROL	1							
73	1	135210-61090	LEAD	1							
74	1	22451-060000	WIRE, 0.6	1							

N:Old $\xrightarrow{\text{Yes}}$ New, Q:Old $\xrightarrow{\text{No}}$ New, R:Old $\xrightarrow{\text{Yes}}$ New, S:Old $\xrightarrow{\text{No}}$ New, W:Add, Z:Discontinued, F:Interchangeable by set, K:Q'ty Change

Fig.18. ENGINE STOP DEVICE

Y0005610



(A)=3TNE84T-YW
(B)=
(C)=

(D)=
(E)=
(F)=

No.	Lev.	Parts No.	Description	Q'ty						I	R
				(A)	(B)	(C)	(D)	(E)	(F)		
1	1	129136-66800	MOTOR ASSY, STOP	1							
3	2	129107-66830	SPRING, STOP MOTOR	1							
4	2	129566-66880	RING, SNAP	1							
5	2	129566-66890	WASHER	1							
6	1	129107-66810	BRACKET, STOP MOTOR	1							
7	1	129107-66820	BRACKET, STOP MOTOR	1							
8	1	22117-080000	WASHER, 8	1							
9	1	22360-080000	SNAP PIN 8	1							
10	1	26106-080122	BOLT, M8X 12 PLATED	2							
11	1	26106-080122	BOLT, M8X 12 PLATED	2							
12	1	26116-050102	BOLT, M5X 10 PLATED	3							

Fig.19. STARTING MOTOR

(A)=3TNE84T-YW

(B)=

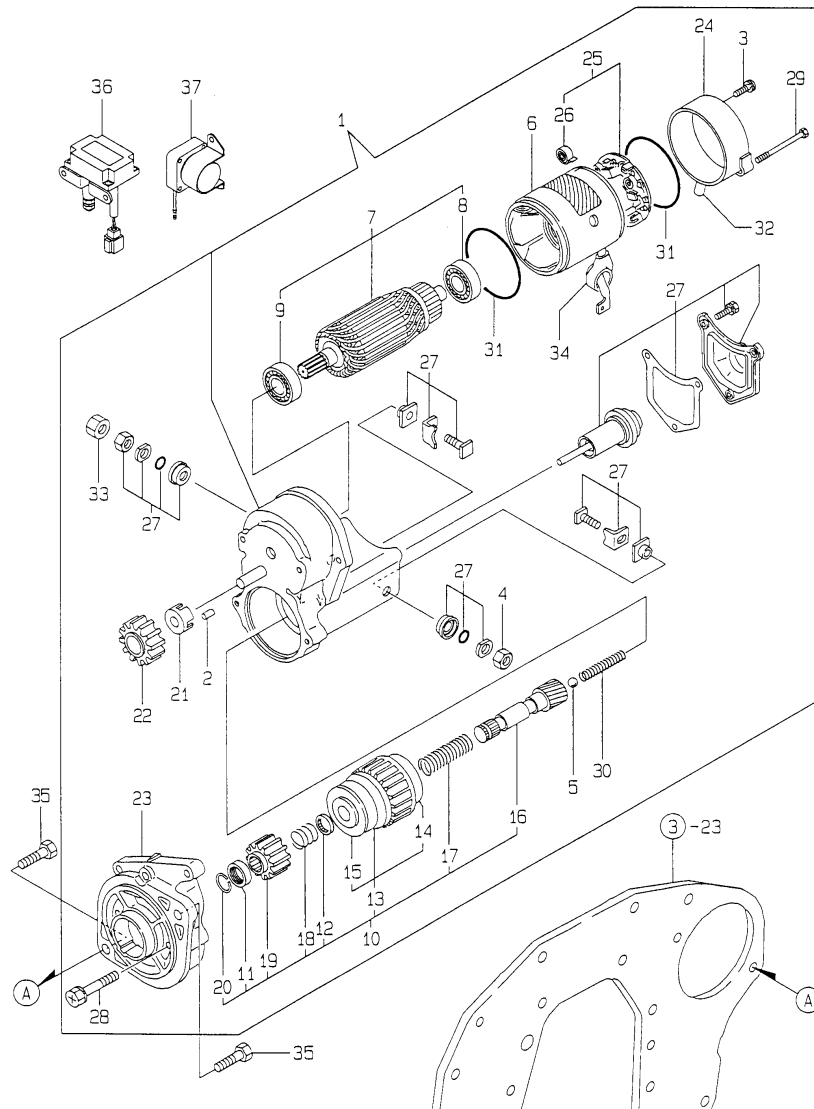
(C)=

(D)=

(E)=

(F)=

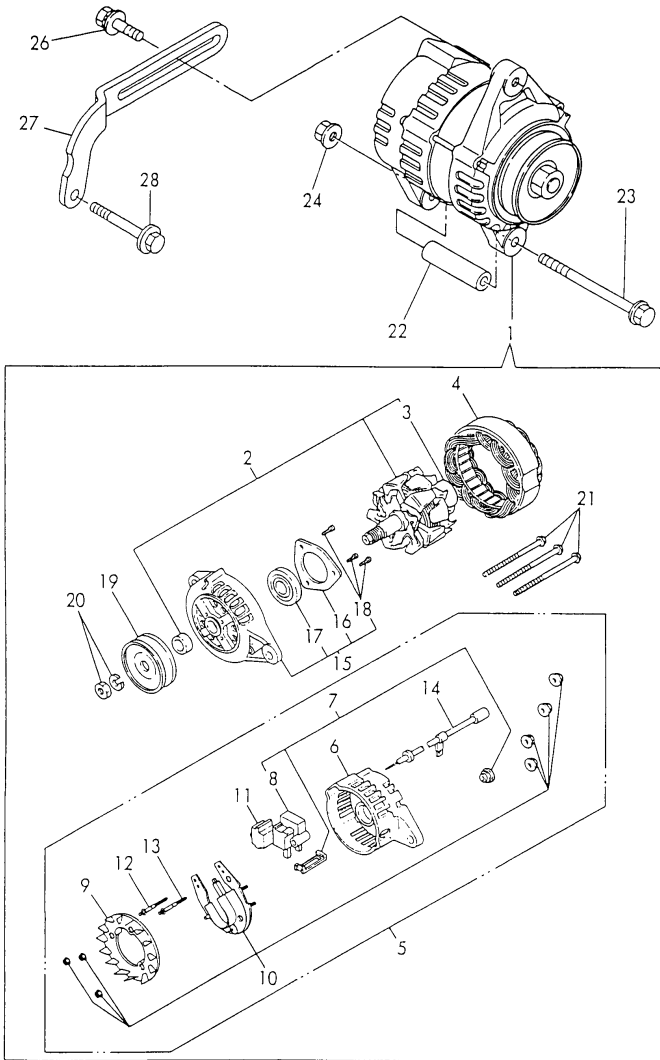
Y0005610
3TNE84T-YW



No.	Lev.	Parts No.	Description	Q'ty						I	R
				(A)	(B)	(C)	(D)	(E)	(F)		
1	1	129407-77010	STARTER, RA1.4	1							
2	2	X0283060061	ROLLER	5							
3	2	X0289030010	SCREW	2							
4	2	X9490561370	NUT	1							
5	2	X9491200240	BALL	1							
6	2	129407-77210	YOKE ASSY	1							
7	2	129407-77220	ARMATURE ASSY	1							
8	3	129129-77230	BEARING	1							
9	3	129129-77240	BEARING	1							
10	2	129407-77250	STARTER	1							
11	3	X0280210230	NUT	1							
12	3	X0283270140	RETAINER	1							
13	3	129407-77390	CLUTCH ASSY	1							
14	4	129129-77440	BEARING	1							
15	4	129129-77450	BEARING	1							
16	3	129129-77400	SHAFT	1							
17	3	129129-77410	SPRING, COIL	1							
18	3	129407-77410	SPRING	1							
19	3	129129-77420	PINION	1							
20	3	129129-77430	RING	1							
21	2	129129-77260	RETAINER	1							
22	2	129129-77270	PINION	1							
23	2	129407-77280	HOUSING	1							
24	2	129129-77290	FRAME	1							
25	2	129407-77300	HOLDER ASSY	1							
26	3	X9491730461	SPRING	4							
27	2	129407-77310	SWITCH ASSY	1							
28	2	129129-77320	BOLT	2							
29	2	129407-77330	BOLT	2							
30	2	129129-77340	SPRING	1							
31	2	129129-77350	O-RING	2							
32	2	129129-77361	BUSH	1							
33	2	129129-77370	NUT	1							
34	2	129129-77380	CAP	1							
35	1	26116-120252	BOLT, M12X 25 PLATED	2							
36	1	129136-77101	RELAY, SAFETY	1							
37	1	129100-77910	RELAY, MAGNETIC	1							

Fig.20. GENERATOR

Y00D5610



(A)=3TNE84T-YW

(B)=

(C)=

(D)=

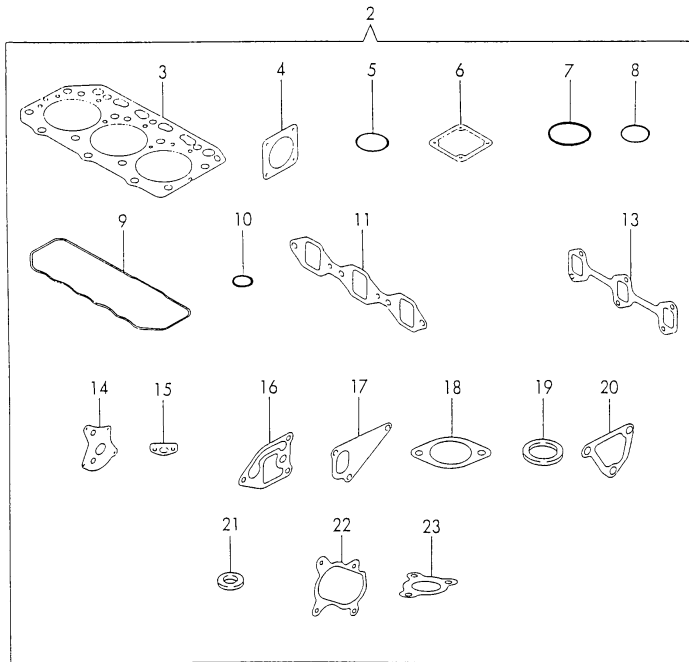
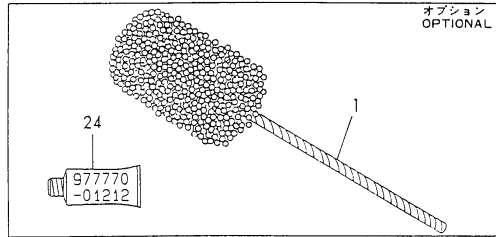
(E)=

(F)=

No.	Lev.	Parts No.	Description	Q'ty						I	R
				(A)	(B)	(C)	(D)	(E)	(F)		
1	1	119836-77200	GENERATOR	1							
2	2	119836-77700	ROTOR ASSY	1							
3	3	119836-77850	BALL BEARING	1							
4	2	119836-77710	STARTER ASSY	1							
5	2	119836-77721	COVER ASSY, REAR	1							
6	3	119836-77730	COVER, REAR	1							
7	3	119836-77741	BRUSH ASSY,REGULATOR	1							
8	4	119836-77750	BRUSH ASSY	1							
9	3	119836-77760	GUIDE, FAN SIDE	1							
10	3	119836-77770	DIODE ASSY	1							
11	3	119836-77780	CONDENSER	1							
12	3	119836-77871	BOLT (1)	1							
13	3	119836-77880	BOLT (2)	1							
14	3	119836-77890	WIRE ASSY, LEAD	1							
15	2	119836-77790	COVER ASSY, FRONT	1							
16	3	119836-77800	RETAINER, BEARING	1							
17	3	119836-77840	BALL BEARING	1							
18	3	119836-77860	SCREW KID	1							
19	2	119836-77810	PULLEY	1							
20	2	119836-77820	NUT ASSY, PULLEY	1							
21	2	119836-77830	BOLT, THROUGH	1							
22	1	119820-77340	PIECE, DISTANCE	1							
23	1	129136-77250	BOLT M 8X105	1							
24	1	26366-080002	NUT, M8	1							
26	1	26014-080252	BOLT, M8X 25	1							
27	1	129100-77330	ADJUSTER	1							
28	1	26106-080502	BOLT, M8X 50 PLATED	1							

Fig.21. GASKET SET & TOOL(OPTIONAL)

Y0005610



(A)=3TNE84T-YW

(B)=

(C)=

(D)=

(E)=

(F)=

No.	Lev.	Parts No.	Description	Q'ty						I	R
				(A)	(B)	(C)	(D)	(E)	(F)		
1	1	129400-92420	FLEX HORN	1							1
2	1	729012-92610	GASKET SET	1							1
3	2	129002-01331	GASKET, HEAD	1							
4	2	124240-01883	GASKET	1							
5	2	121850-51960	O-RING	1							
6	2	129150-77511	GASKET	1							
7	2	24341-000500	O-RING, 1AS50.0	1							
8	2	24311-000320	O-RING, 1AP32.0	2							
9	2	129150-11310	GASKET, BONNET	1							
10	2	24311-000120	O-RING, 1AP12.0	3							
11	2	129150-12111	GASKET, MANIFOLD	1							
13	2	129150-13110	GASKET	1							
14	2	129150-32020	GASKET, PUMP	1							
15	2	129150-35041	GASKET	1							
16	2	129120-35121	GASKET	1							
17	2	129100-42020	GASKET, WATER PUMP	1							
18	2	129795-49551	GASKET	1							
19	2	129150-49811	GASKET, THERMOSTAT	1							
20	2	129100-49840	GASKET	1							
21	2	124465-44950	GASKET, 16	1							
22	2	129403-18091	GASKET	1							
23	2	129477-18101	GASKET	1							
24	1	977770-01212	GASKET, LIQUID	1							1

Remarks
(1) OPTIONAL PART.

Parts No. Index

Parts No.	Fig. No.	Ref. No.
101304-59020	16	16
101720-55750	16	55
102103-55520	16	50
103854-39140	16	15
104200-55321	16	2
		46
104200-55330	16	3
		47
104200-55341	16	48
104200-55750	16	4
		56
104200-59170	16	18
104207-44480	13	41
105010-39140	12	7
105425-01690	3	14
110250-55610	16	51
114250-53080	15	5
114250-53120	15	9
114250-53130	15	10
114250-53140	15	11
114250-53210	15	12
114250-53400	15	13
119225-52102	16	44
119260-34810	11	18
119625-11871	4	36
119625-11880	4	37
119625-11900	4	38
119810-51040	14	4
119820-77340	20	22
119836-77200	20	1
119836-77700	20	2
119836-77710	20	4
119836-77721	20	5
119836-77730	20	6
119836-77741	20	7
119836-77750	20	8
119836-77760	20	9
119836-77770	20	10
119836-77780	20	11
119836-77790	20	15
119836-77800	20	16
119836-77810	20	19
119836-77820	20	20
119836-77830	20	21
119836-77840	20	17
119836-77850	20	3
119836-77860	20	18
119836-77871	20	12
119836-77880	20	13
119836-77890	20	14

Parts No.	Fig. No.	Ref. No.
119840-59560	16	25
119840-59570	16	26
119840-59601	16	40
119840-59621	16	43
120130-11860	4	41
121111-21501	10	11
121250-59550	16	24
121252-39450	12	9
121257-55720	16	52
121257-55731	16	53
121400-11340	4	19
121450-01560	2	5
121450-42450	13	38
121550-23200	10	32
121850-11860	4	9
121850-21680	10	10
121850-51960	2	11
	21	5
122117-51560	14	47
122710-51090	14	7
124064-55510	16	49
124066-59100	16	23
124160-01751	2	6
	4	58
124160-01910	1	4
124160-11360	4	53
124160-39140	12	8
124223-39900	12	10
124240-01871	2	7
124240-01883	2	8
	21	4
124250-49351	13	59
124460-11340	4	20
124465-44950	13	39
	21	21
124550-21600	10	14
124550-51350	14	29
124550-51370	14	30
124550-59820	12	11
124550-66370	17	50
124574-44761	13	17
124736-07900	4	56
124766-59050	16	17
		38
		41
124950-51190	14	14
129001-02800	1	13
129001-21000	10	1
129001-42001	13	1
129001-42040	13	53

Parts No.	Fig. No.	Ref. No.
129002-01331	1	22
	21	3
129002-22090	10	15
129002-22510	10	17
129002-22900	10	23
129002-22950	10	25
129012-33000	11	27
129012-49030	13	42
129052-55620	16	1
129100-01580	3	1
		5
	10	6
129100-01640	3	6
129100-01730	3	11
129100-11100	4	14
129100-11130	4	15
129100-11350	4	43
129100-23910	10	35
129100-25061	7	8
129100-42020	13	13
	21	17
129100-49840	13	54
	21	20
129100-52200	14	91
129100-55650	16	11
129100-55670	16	6
129100-55680	16	7
129100-55690	16	9
129100-55700	16	12
129100-59912	15	24
129100-59922	15	28
129100-59932	15	32
129100-59951	16	29
129100-61400	17	16
129100-61440	17	20
129100-61650	17	44
129100-61821	17	47
129100-77330	20	27
129100-77910	19	37
129103-01530	2	4
129103-49301	13	19
129107-66810	18	6
129107-66820	18	7
129107-66830	18	3
129112-01770	3	12
129120-33040	11	29
129120-33051	11	30
129120-33060	11	31
129120-35001	11	32
129120-35110	11	36

Parts No.	Fig. No.	Ref. No.
129120-35121	11	37
	21	16
129120-77501	5	12
129122-12060	8	2
129122-12100	5	1
129122-12211	8	6
129122-44480	2	10
129128-34800	11	17
129129-14580	7	1
129129-77230	19	8
129129-77240	19	9
129129-77260	19	21
129129-77270	19	22
129129-77290	19	24
129129-77320	19	28
129129-77340	19	30
129129-77350	19	31
129129-77361	19	32
129129-77370	19	33
129129-77380	19	34
129129-77400	19	16
129129-77410	19	17
129129-77420	19	19
129129-77430	19	20
129129-77440	19	14
129129-77450	19	15
129136-34820	11	19
129136-66800	18	1
129136-77101	19	36
129136-77250	20	23
129137-01640	3	13
129137-13410	8	19
129137-18010	8	10
	9	1
129139-12050	8	1
129139-12200	8	5
129139-13100	6	1
129139-39030	12	1
129139-39601	12	15
129150-01200	1	21
129150-01600	3	23
129150-02020	1	10
129150-02450	7	5
129150-02870	1	23
129150-02930	1	16
129150-02940	1	26
129150-03020	4	48
129150-03070	4	50
129150-03080	4	49
129150-03100	2	25

Parts No. Index

Parts No.	Fig. No.	Ref. No.
129150-11230	4	34
129150-11280	4	27
129150-11290	4	28
129150-11310	4	47
	21	9
129150-11370	4	21
129150-11750	4	33
129150-11810	4	42
129150-12111	5	2
	21	11
129150-13110	6	2
	21	13
129150-14101	7	3
129150-14200	7	6
129150-14400	7	7
129150-21200	10	3
129150-23600	10	33
129150-23610	10	36
129150-25101	7	9
129150-25900	14	106
129150-25920	7	13
129150-32020	11	15
	21	14
129150-35041	11	21
	21	15
129150-35091	11	22
129150-35151	11	38
129150-35350	11	47
129150-49360	13	60
129150-49811	13	29
	21	19
129150-59120	15	20
129150-59131	15	23
129150-59580	16	27
129150-77511	5	13
	21	6
129150-91400	2	26
129155-11241	4	24
129155-11260	4	25
129155-11270	4	26
129155-51020	14	87
129155-51050	14	5
129155-51060	14	6
129155-51140	14	11
129155-51180	14	13
129155-51200	14	15
129155-51250	14	20
129155-51270	14	22
129155-51280	14	23
	17	3

Parts No.	Fig. No.	Ref. No.
129155-51320	14	27
129155-51340	14	28
129155-51370	14	31
129155-51380	14	32
129155-51390	14	33
129155-51400	14	34
129155-51410	14	35
129155-51420	14	36
129155-51450	14	37
129155-51500	14	42
129155-51521	14	43
129155-51530	14	44
129155-51540	14	45
129155-51550	14	46
129155-51570	14	49
129155-51580	14	50
129155-51591	14	51
129155-51600	14	52
129155-51700	14	71
129155-51710	14	72
129155-51750	14	73
129155-51760	14	74
129155-51790	14	75
129155-51930	14	77
129155-51940	14	78
129155-52050	14	90
129155-61012	17	4
129155-61050	17	5
129155-61060	17	6
129155-61070	17	7
129155-61120	17	8
129155-61130	17	9
129155-61140	17	10
129155-61201	17	11
129155-61341	17	15
129155-61350	17	66
129155-61360	17	67
129155-61430	17	19
129155-61450	17	21
129155-61460	17	22
129155-61470	17	72
129155-61480	17	23
129155-61490	17	24
129155-61540	17	43
129155-61810	17	46
129155-61830	17	48
129155-61950	17	49
129156-51910	14	76
129202-22300	10	21
129255-59580	16	28

Parts No.	Fig. No.	Ref. No.
129255-61802	17	45
129335-55700	16	45
129350-49560	13	57
129400-92420	21	1
129403-18091	8	11
	21	22
129403-18720	9	2
129403-18750	9	3
129403-18770	9	4
129403-18780	9	13
129403-18800	9	22
129403-39610	12	16
129403-49050	13	43
129407-35300	11	39
129407-77010	19	1
129407-77210	19	6
129407-77220	19	7
129407-77250	19	10
129407-77280	19	23
129407-77300	19	25
129407-77310	19	27
129407-77330	19	29
129407-77390	19	13
129407-77410	19	18
129411-55690	16	22
129418-32000	11	1
129470-11080	4	7
129470-11090	4	8
129477-18101	8	12
	21	23
129489-61700	17	70
129500-61501	17	25
129503-53050	15	2
129505-51300	14	24
129506-51100	14	8
129550-42350	13	35
129553-39650	11	56
129555-59510	16	19
129566-66880	18	4
129566-66890	18	5
129574-49800	13	58
129792-39410	11	50
129795-01780	3	8
129795-01800	2	3
129795-01950	2	9
129795-02411	1	19
129795-11120	4	16
129795-11180	4	17
129795-21661	10	9
129795-49551	13	20

Parts No.	Fig. No.	Ref. No.
129795-49551	21	18
135210-61090	17	73
171051-01921	1	5
171081-55910	16	57
171340-21650	10	8
171350-21590	10	12
171440-44740	13	16
174100-54120	14	21
174307-51170	14	12
174307-51560	14	48
174307-51700	17	26
194990-22050	6	3
	8	14
22117-040000	17	51
22117-080000	18	8
22190-060002	17	58
22190-080002	2	21
	12	14
22190-100002	17	52
22190-120002	17	65
22190-160002	3	17
	14	89
22217-050000	14	86
22217-060000	14	79
22217-120000	14	107
22252-000260	10	22
22272-000040	17	53
22272-000060	17	54
22287-120000	17	55
22351-030010	11	57
22351-030016	17	56
22351-040010	10	7
22351-050010	14	80
22351-060012	4	22
22360-080000	18	9
22372-040000	17	57
22451-060000	17	74
22512-070140	7	4
	10	4
23000-022000	12	17
	13	40
23000-041000	8	4
23000-060000	8	3
23414-080000	12	12
23414-100000	11	34
	12	13
23414-120000	16	37
23418-060000	16	58
23871-010000	1	6
	13	12

Parts No. Index

Parts No.	Fig. No.	Ref. No.
23871-030000	4	10
	13	11
23881-100002	11	35
23887-100002	17	59
24101-063034	14	81
24311-000120	4	54
	21	10
24311-000160	2	12
	11	48
	16	13
24311-000320	2	13
	4	59
	21	8
24311-240100	11	20
	16	5
		59
	17	68
24314-000160	12	18
24321-000300	13	55
24321-000650	16	10
24341-000160	14	82
24341-000240	2	28
24341-000500	4	51
	21	7
25132-003800	13	15
26014-060252	13	18
26014-080252	20	26
26014-080852	16	14
26022-050102	14	83
	17	62
26022-060162	14	84
26023-050102	17	69
26106-060162	2	29
	12	19
26106-060202	17	60
26106-080122	2	14
	12	20
	18	10
		11
26106-080142	4	57
26106-080162	1	20
	2	15
	3	18
	4	52
	8	7
26106-080182	13	56
26106-080202	2	16
	13	31
26106-080252	3	19
	4	39

Parts No.	Fig. No.	Ref. No.
26106-080252	5	3
	11	49
		58
26106-080302	3	9
26106-080352	3	10
	5	14
	11	26
26106-080452	2	17
	3	20
	7	12
26106-080502	4	40
	20	28
26106-080552	2	18
26106-080602	13	14
26106-080802	6	4
26106-080852	2	19
26116-050102	18	12
26116-050302	14	85
26116-120252	19	35
26206-100202	3	24
26206-100252	3	3
26216-060202	4	11
26216-080222	6	5
26216-080802	6	6
26226-080182	4	35
26366-060002	4	23
26366-080002	2	20
	17	61
	20	24
26450-060252	11	16
26687-120002	17	71
26716-060002	14	88
26716-120002	14	108
26756-060002	17	63
26776-120002	17	64
27231-500000	1	7
27241-120000	1	8
27241-220000	4	12
27241-300000	1	9
27241-400000	4	13
27310-080001	4	18
711100-51540	14	16
719810-01500	2	1
729012-01560	1	1
729012-51390	14	1
729012-92610	21	2
729202-11710	4	1
729402-11650	4	31
729402-23100	10	29
729503-53200	15	1

Parts No.	Fig. No.	Ref. No.
977770-01212	2	30
	3	25
	21	24
X0280210230	19	11
X0283060061	19	2
X0283270140	19	12
X0289030010	19	3
X9490561370	19	4
X9491200240	19	5
X9491730461	19	26
XNB13981500	9	30
XNB13982500	9	18
XNB13982600	9	25
XNB13982700	9	33

Parts No.	Fig. No.	Ref. No.
-----------	----------	----------