

OCD10-M55900EN

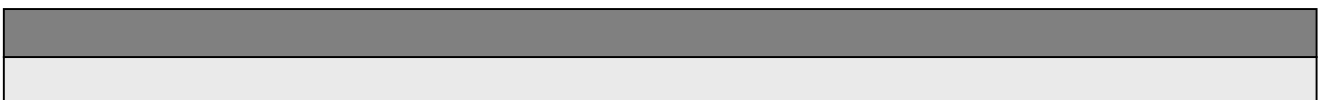
# PREFACE

1. This Parts Catalog is the 1st edition of 4TNE84-TW Diesel Engine for OSAKA SEIMITSU KIKAI.

Pub. No. : 000Y00D5590  
Published : December, 1995

2. Model name

Engine model	Vehicle		Vehicle made by
	Products	Model name	
4TNE84-TW	WELDER	—	OSAKA SEIMITSU KIKAI



## Directions for the Parts Catalog.

1. This Parts Catalog shows both standard and optional parts.
2. Parts may change without prior notice.
3. The following is an example of the Parts Catalog format.

REF.	LEV.	PARTS NO.	DESCRIPTION	Q'TY						I	R
				(A)	(B)	(C)	(D)	(E)	(F)		
1	1	729595-51390	FUEL INJECTION PUMP	1	1	1	1	1			1
1-1	1	729595-51391	FUEL INJECTION PUMP	1	1	1	1	1		N	1
		(A=E00185) (B=E00200)									
3	2	26022-060162	SCREW M 6X 16	9	9	9	9	9			
3-1	2	26022-060162	SCREW M 6X 16	4	4	4	4	4		K	
		(A=E00156) (B=E00156) (C=E00156) (D=E00156) (E=E00156)									
4	2	129470-51040	CAMSHAFT	1	1	1	1	1			
5	2	122710-51050	BEARING, ROLLER	2	2	2	2	2			
6	2	129470-51060	RETAINER	1	1	1	1	1			

Remarks
(1) BOOST COMPEMSATOR TYPE. OPTIONAL PART, TO E00155,(4JH-DT, 4JH-DTZ

### ① Ref. No.

The Ref. No. listed may not be in accordance with the illustration Ref. No.

(Ex.) Illustration No.

List Ref No.

1

1

(Before change)

1-1

(After change)

For interchangeable symbols N, R and K, illustrations for new parts may be abbreviated.

### ② Lev. (Level)

Level indication

The numbers below indicate the level of relativity towards the main part.

1 ----- Main parts (Assembly parts)

2 ----- Sub component included in " 1 ".

3 ----- Sub component included in " 2 ".

Note) Parts that are not for sale are partially illustrated but not listed.

### ③ Interchangeability Symbol

When a part change takes place, one of the following interchangeability symbols is indicated beside the part.

Symbol	Interchangeability	Contents note
N	Old $\begin{matrix} \leftarrow \text{Yes} \\ \text{No} \rightarrow \end{matrix}$ New	New Part is interchangeable for Old Part but Old Part is not interchangeable for New Part.
Q	Old $\begin{matrix} \leftarrow \text{No} \\ \text{Yes} \rightarrow \end{matrix}$ New	New Part is not interchangeable for Old Part but Old Part is interchangeable for New Part.
R	Old $\begin{matrix} \leftarrow \text{Yes} \\ \text{Yes} \rightarrow \end{matrix}$ New	New/ Old Parts are both interchangeable.
S	Old $\begin{matrix} \leftarrow \text{No} \\ \text{No} \rightarrow \end{matrix}$ New	New/ Old Parts are both not interchangeable.
W		Part newly added.
Z		Part discontinued.
F		Not interchangeable by a single part but interchangeable together with related parts.
K		Changes only for used parts quantities.

### ④ Effective Machine No.

When a part changes, the effective Machine No. will be indicated in the (A)-(F) column.

Product Symbol	Product No.	Product Symbol	Product No.
C	Clutch No. Compressor No.	F	Machine No. (Agricultural Equip.)
D	Drive No.	M	Machine No.
E	Engine No.		

Note 1) A date may follow the symbol. (Ex.) 1996.01

Note 2) "XXXXX" and "ZZZZZ" are for parts that could not be predicted or for engine models that could not be identified.

Note 3) (A=E00185) is the E (Engine Serial Number) for the column (A) model (in this case 4JH-DT) after the parts design change.

### ⑤ Remarks

Figures or alphabets (symbols) are entered in the remarks column.

The comments (remarks) on parts that are indicated at the bottom of the illustration are the same symbols as those stated above.

# Contents

Fig. No.    Fig. Name

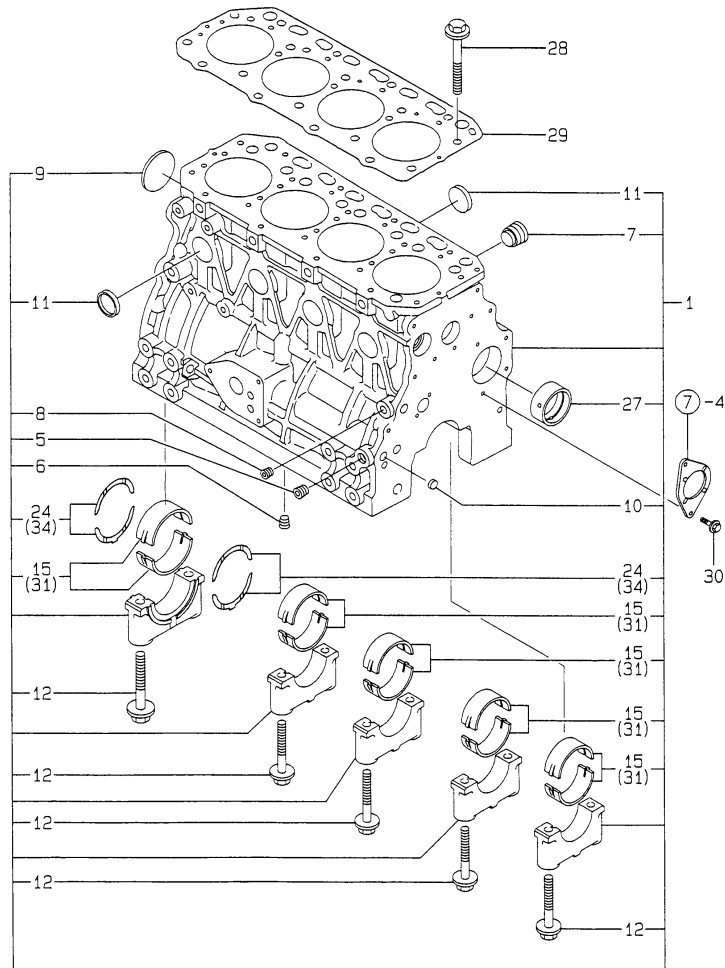
Fig. No.    Fig. Name

4TNE84-TW

1. CYLINDER BLOCK
2. GEAR HOUSING
3. FLYWHEEL HOUSING & OIL SUMP
4. CYLINDER HEAD & BONNET
5. SUCTION MANIFOLD & AIR CLEANER
6. EXHAUST MANIFOLD
7. CAMSHAFT & DRIVING GEAR
8. CRANKSHAFT & PISTON
9. LUB.OIL SYSTEM
10. COOLING WATER SYSTEM
11. FUEL INJECTION PUMP
12. GOVERNOR
13. FUEL INJECTION VALVE
14. FUEL LINE
15. STARTING MOTOR
16. GENERATOR
17. GASKET SET

# Fig.1. CYLINDER BLOCK

Y00D5590  
4TNE84-TW



(A)=4TNE84-TW

(B)=

(C)=

(D)=

(E)=

(F)=

No.	Lev.	Parts No.	Description	Q'ty						I	R
				(A)	(B)	(C)	(D)	(E)	(F)		
1	1	729408-01560	BLOCK ASSY, CYLINDER	1							
5	2	124160-01910	PLUG, PT1/4	2							
6	2	124160-01910	PLUG, PT1/4	1							
7	2	171051-01921	PLUG, NPTF1	1							
8	2	23871-010000	PLUG, R01	1							
9	2	27231-500000	PLUG 50	1							
10	2	27241-120000	PLUG, 12	2							
11	2	27241-300000	PLUG 30	8							
12	2	129150-02020	BOLT, METAL CAP	10							
15	2	129001-02800	BEARING, MAIN	5							
24	2	129150-02930	BEARING, THRUST	2							
27	2	129795-02411	BUSH, CAMSHAFT	1							
28	1	129150-01200	BOLT, HEAD	18							
29	1	129408-01330	GASKET, HEAD	1							
30	1	26106-080162	BOLT, M8X 16 PLATED	2							
31	1	129150-02870	BEARING, 0.25 US	5							1
34	1	129150-02940	BEARING, THRUST 0.25	2							2

**Remarks**

- (1) UNDER-SIZED(U.S=0.25)PART.
- (2) OVER-SIZED(O.S=0.25)PART.

# Fig.2. GEAR HOUSING

(A)=4TNE84-TW

(B)=

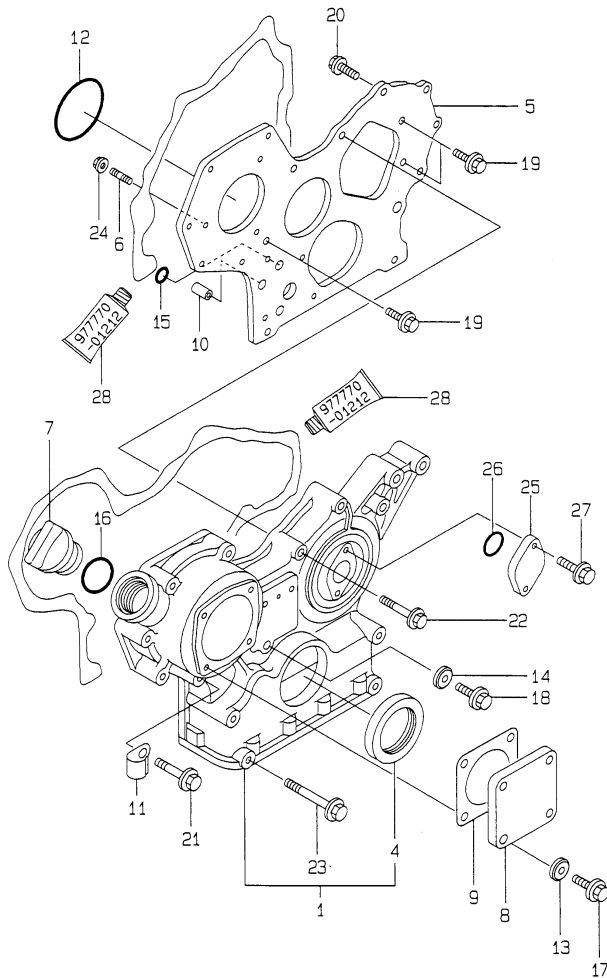
(C)=

(D)=

(E)=

(F)=

Y0005590  
4TNE84-TW



No.	Lev.	Parts No.	Description	Q'ty						I	R
				(A)	(B)	(C)	(D)	(E)	(F)		
1	1	719810-01500	CASE ASSY, GEAR	1							
4	2	129795-01800	SEAL, OIL	1							
5	1	129400-01520	FLANGE, GEAR CASE	1							
6	1	121450-01560	STUD, M8X22	3							
7	1	124160-01751	COVER, FILLER	1							
8	1	124240-01871	COVER	1							
9	1	124240-01883	GASKET	1							
10	1	129795-01950	PIPE, KNOCK L=18	2							
11	1	129150-03100	RETAINER, PIPE	1							
12	1	121850-51960	O-RING	1							
13	1	22190-080002	WASHER, SEAL 6	4							
14	1	22190-080002	WASHER, SEAL 6	1							
15	1	24311-000160	O-RING, 1AP16.0	2							
16	1	24311-000320	O-RING, 1AP32.0	1							
17	1	26106-080122	BOLT, M8X 12 PLATED	4							
18	1	26106-080162	BOLT, M8X 16 PLATED	1							
19	1	26106-080162	BOLT, M8X 16 PLATED	3							
20	1	26106-080202	BOLT, M8X 20 PLATED	2							
21	1	26106-080452	BOLT, M8X 45 PLATED	6							
22	1	26106-080552	BOLT, M8X 55 PLATED	3							
23	1	26106-080852	BOLT, M8X 85 PLATED	4							
24	1	26366-080002	NUT, M8	3							
25	1	121023-01550	COVER	1							
26	1	24341-000240	O-RING, 1AS24.0	1							
27	1	26106-060122	BOLT, M6X 12 PLATED	2							
28	1	97770-01212	GASKET, LIQUID	1							1

Remarks

(1) OPTIONAL PART.

Fig.3. FLYWHEEL HOUSING & OIL SUMP

(A)=4TNE84-TW

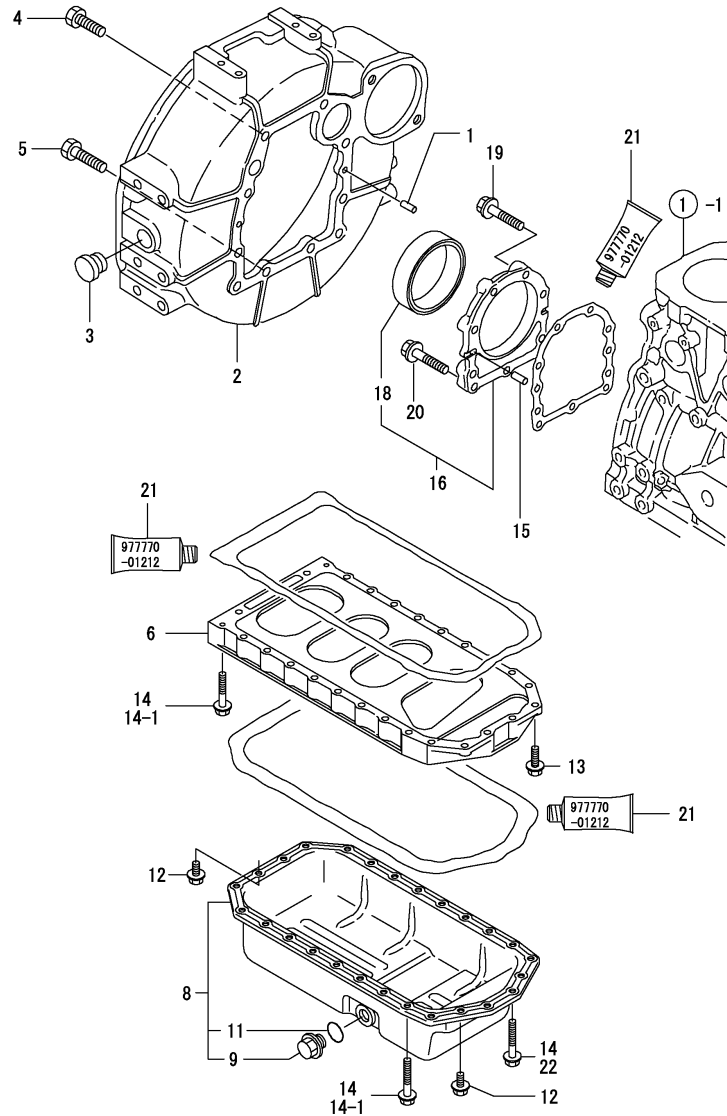
(B)=

(C)=

(D)=

(E)=

(F)=

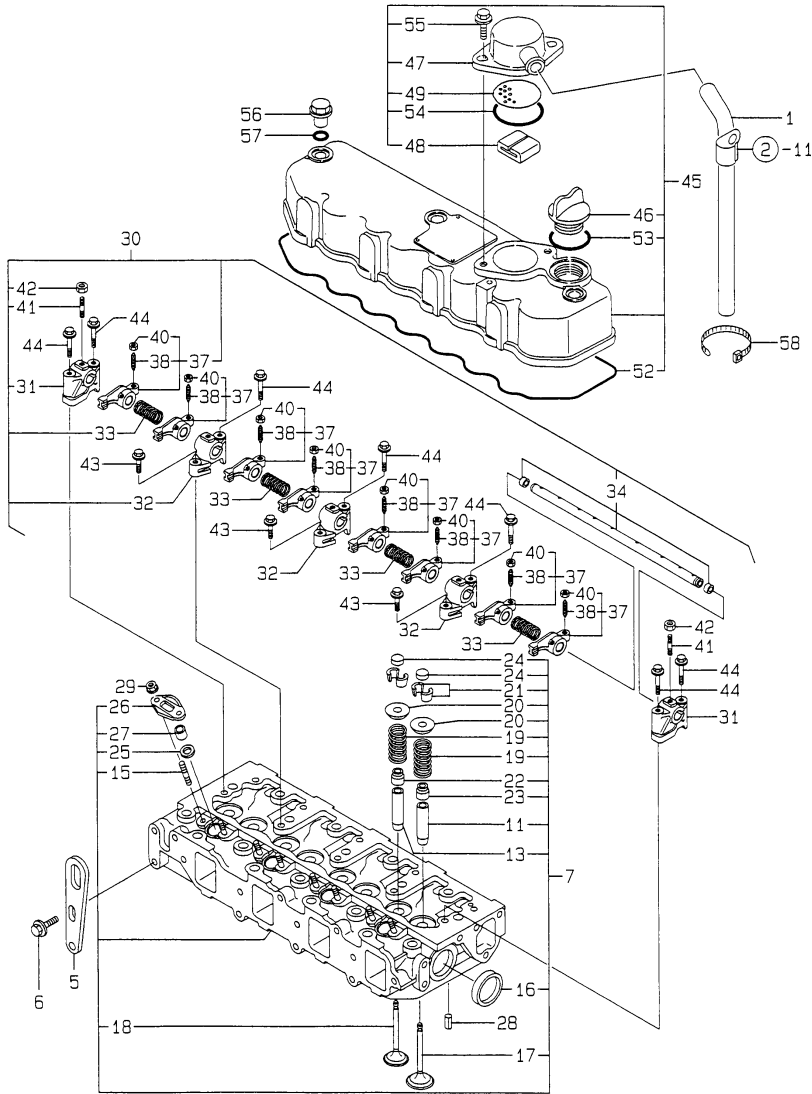


No.	Lev.	Parts No.	Description	Q'ty						I	R
				(A)	(B)	(C)	(D)	(E)	(F)		
1	1	129100-01580	PIN, M8X16	2							
2	1	171301-01600	HOUSING, FLYWHEEL	1							
3	1	119620-01750	CAP	1							
4	1	26206-100252	BOLT, M10X 25 PLATED	6							
5	1	26206-100302	BOLT, M10X 30 PLATED	4							
6	1	129400-01730	SPACER, OIL SUMP	1							
8	1	129400-01770	SUMP ASSY, OIL	1							
9	2	171301-01640	PLUG, 22	1							
11	2	24341-000250	O-RING, 1AS25.0	1							
12	1	26106-080162	BOLT, M8X 16 PLATED	4							
13	1	26106-080252	BOLT, M8X 25 PLATED	2							
14	1	26106-080452	BOLT, M8X 45 PLATED	24							
14-1	1	26106-080452	BOLT, M8X 45 PLATED	20							K
(A=FROM 1ST)											
15	1	129100-01580	PIN, M8X16	2							
16	1	129100-01640	CASE ASSY, OIL SEAL	1							
18	2	129795-01780	SEAL, OIL	1							
19	1	26106-080302	BOLT, M8X 30 PLATED	6							
20	1	26106-080352	BOLT, M8X 35 PLATED	3							
21	1	977770-01212	GASKET, LIQUID	1							1
22	1	26106-080502	BOLT, M8X 50 PLATED	4							W
(A=FROM 1ST)											

Remarks  
(1) OPTIONAL PART.

Fig.4. CYLINDER HEAD & BONNET

Y00D5590  
4TNE84-TW



(A)=4TNE84-TW

(B)=

(C)=

(D)=

(E)=

(F)=

No.	Lev.	Parts No.	Description	Q'ty						I	R
				(A)	(B)	(C)	(D)	(E)	(F)		
1	1	23065-160800	PIPE, 16X 800	1							
5	1	124736-07900	LIFTER	1							
6	1	26106-080142	BOLT, M8X 14 PLATED	2							
7	1	129407-11700	HEAD ASSY, CYLINDER	1							
11	2	120130-11860	GUIDE, VALVE	4							1
13	2	129150-11810	GUIDE, VALVE	4							1
15	2	26216-060202	STUD, M6X 20	8							
16	2	27241-400000	PLUG, 40	2							
17	2	129100-11100	VALVE, INTAKE	4							
18	2	129100-11110	VALVE, EXHAUST	4							
19	2	129795-11120	SPRING, VALVE	8							
20	2	129795-11180	RETAINER, SPRING	8							
21	2	27310-080001	COTTER, 8	8							
22	2	121400-11340	SEAL, VALVE STEM	4							
23	2	124460-11340	SEAL, VALVE STEM	4							
24	2	129150-11370	CAP, VALVE	8							
25	2	119625-11880	SEAT, NOZZLE	4							
26	2	119625-11900	RETAINER, NOZZLE	4							
27	2	119625-11871	PROTECTOR, NOZZLE	4							
28	1	22351-060012	PIN, SPRING 6.0X12	2							
29	1	26366-060002	NUT, M6	8							
30	1	129555-11241	SHAFT ASSY, ROCKER	1							
31	2	129155-11260	SUPPORT, ROCKER ARM	2							
32	2	129155-11270	SUPPORT, ROCKER ARM	3							
33	2	129150-11280	SPRING	4							
34	2	129550-11290	SHAFT, ROCKER ARM	1							
37	2	729402-11650	ARM ASSY, ROCKER	8							
38	3	129150-11230	SCREW, VALVE ADJUST	8							
40	3	129150-11750	NUT, M8	8							
41	2	26226-080182	STUD, M8X 18	3							
42	2	26756-080002	NUT, LOCK M8	3							
43	1	26106-080252	BOLT, M8X 25 PLATED	3							
44	1	26106-080502	BOLT, M8X 50 PLATED	7							
45	1	129400-11350	BONNET ASSY, HEAD	1							
46	2	124160-01751	COVER, FILLER	1							
47	2	129150-03020	COVER, BREATHER	1							
48	2	129150-03070	BAFFLE, BREATHER	1							
49	2	129150-03080	PLATE, BAFFLE	1							
52	2	129550-11310	GASKET, BONNET	1							
53	2	24311-000320	O-RING, 1AP32.0	1							
54	2	24341-000500	O-RING, 1AS50.0	1							
55	2	26106-080162	BOLT, M8X 16 PLATED	2							
56	1	124160-11360	KNOB	3							
57	1	24311-000120	O-RING, 1AP12.0	3							
58	1	121750-59890	BAND, 140	1							

Remarks

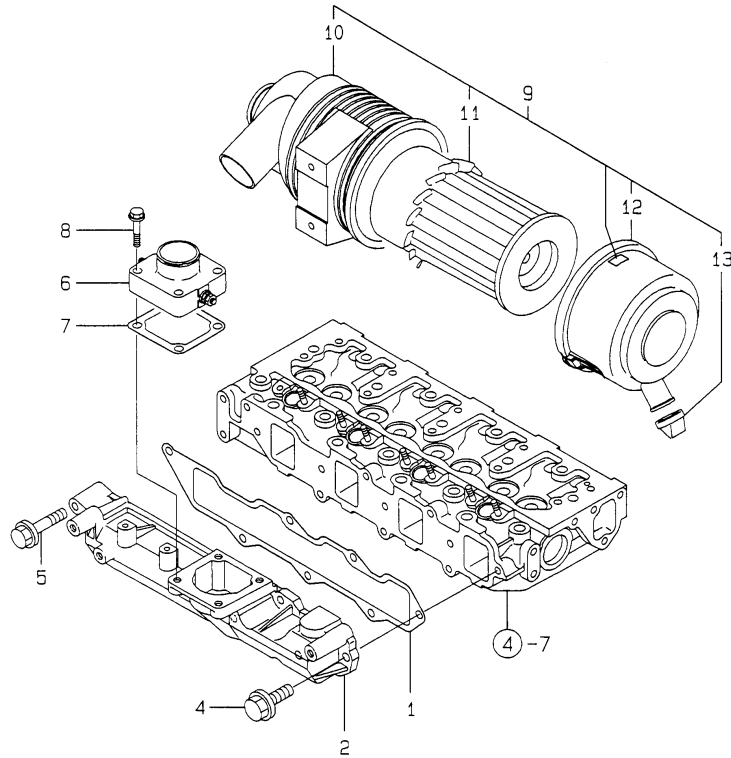
(1) REPAIR PART.

N:Old  $\xrightarrow{\text{Yes}}$  New, Q:Old  $\xrightarrow{\text{No}}$  New, R:Old  $\xrightarrow{\text{Yes}}$  New, S:Old  $\xrightarrow{\text{No}}$  New, W:Add, Z:Discontinued, F:Interchangeable by set, K:Q'ty Change



Fig.5. SUCTION MANIFOLD & AIR CLEANER

Y00D5590  
4TNE84-TW



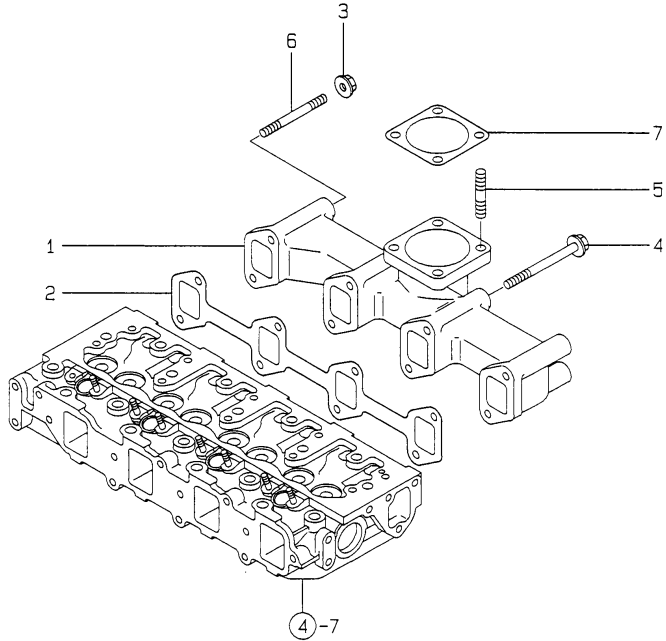
(A)=4TNE84-TW  
(B)=  
(C)=

(D)=  
(E)=  
(F)=

No.	Lev.	Parts No.	Description	Q'ty						I	R
				(A)	(B)	(C)	(D)	(E)	(F)		
1	1	129407-12110	GASKET, MANIFOLD	1							
2	1	129407-12120	MANIFOLD, AIR INTAKE	1							
4	1	26106-080202	BOLT, M8X 20 PLATED	6							
5	1	26106-080502	BOLT, M8X 50 PLATED	1							
6	1	129120-77501	HEATER	1							
7	1	129150-77511	GASKET	1							
8	1	26106-080352	BOLT, M8X 35 PLATED	4							
9	1	129619-12500	CLEANER ASSY, AIR	1							
10	2	129619-12510	BODY	1							
11	2	119808-12520	ELEMENT	1							
12	2	119808-12530	COVER	1							
13	2	119808-12540	VALVE, UNLOADER	1							

Fig.6. EXHAUST MANIFOLD

Y00D5590  
4TNE84-TW



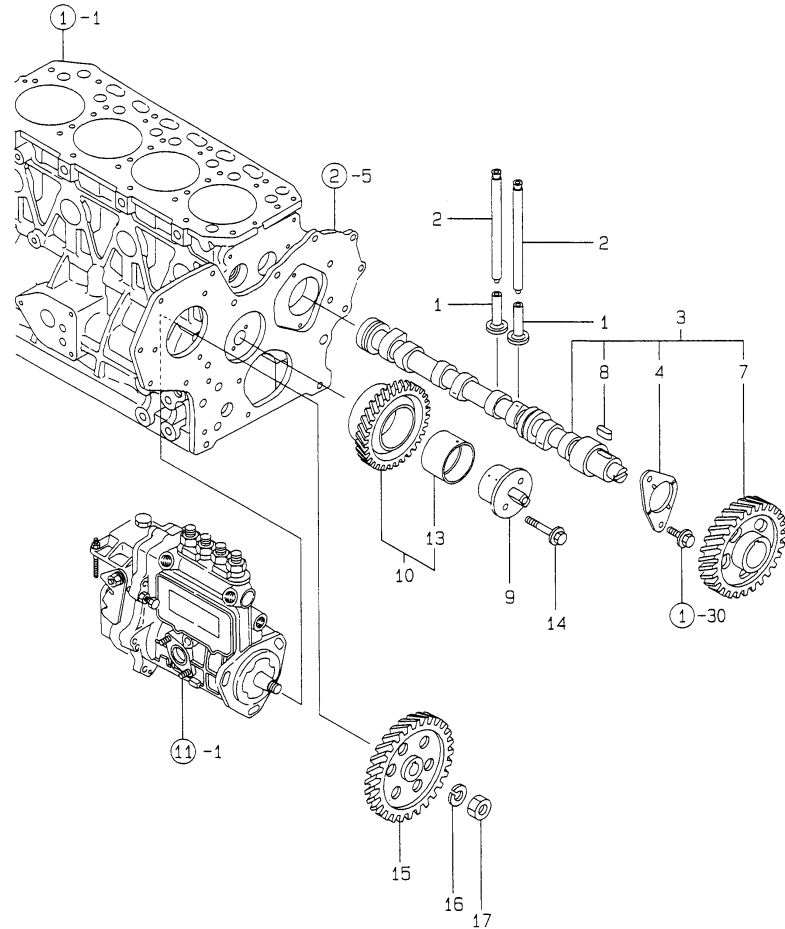
(A)=4TNE84-TW  
(B)=  
(C)=

(D)=  
(E)=  
(F)=

No.	Lev.	Parts No.	Description	Q'ty						I	R
				(A)	(B)	(C)	(D)	(E)	(F)		
1	1	129411-13100	MANIFOLD, EXHAUST	1							
2	1	129550-13110	GASKET	1							
3	1	194990-22050	NUT, M8	2							
4	1	26106-080802	BOLT, M8X 80 PLATED	6							
5	1	26216-080222	STUD, M8X 22	4							
6	1	26216-080802	STUD, M8X 80	2							
7	1	129400-13201	GASKET, SILENCER	1							

# Fig.7. CAMSHAFT & DRIVING GEAR

Y00D5590  
4TNE84-TW



(A)=4TNE84-TW

(B)=

(C)=

(D)=

(E)=

(F)=

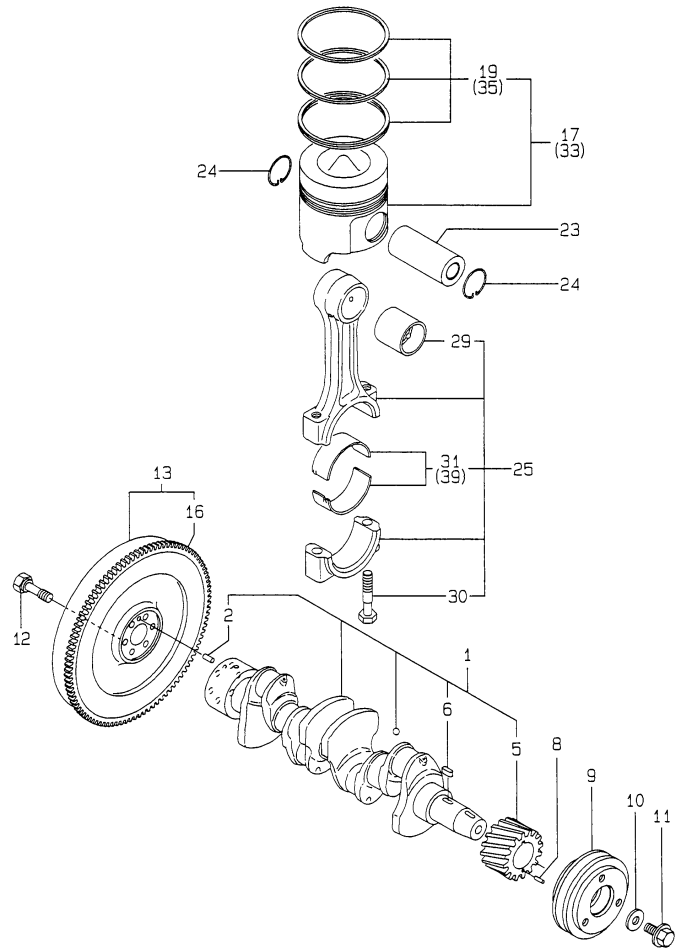
No.	Lev.	Parts No.	Description	Q'ty						I	R
				(A)	(B)	(C)	(D)	(E)	(F)		
1	1	129150-14200	TAPPET	8							
2	1	129150-14400	ROD, PUSH L=178	8							
3	1	729402-14580	CAMSHAFT ASSY	1							
4	2	129150-02450	BEARING, THRUST	1							
7	2	129150-14101	GEAR, CAMSHAFT	1							
8	2	22512-070140	KEY, 7X 14	1							
9	1	129100-25061	SHAFT, IDLE	1							
10	1	129150-25101	GEAR ASSY, IDLE	1							
13	2	129150-25920	BUSH, IDLE GEAR	1							1
14	1	26106-080452	BOLT, M8X 45 PLATED	2							
15	1	129150-25900	GEAR, PUMP	1							
16	1	22217-120000	WASHER, SPRING 12	1							
17	1	26716-120002	NUT, M12	1							

Remarks

(1) REPAIR PART.

# Fig.8. CRANKSHAFT & PISTON

Y00D5590  
4TNE84-TW



(A)=4TNE84-TW

(B)=

(C)=

(D)=

(E)=

(F)=

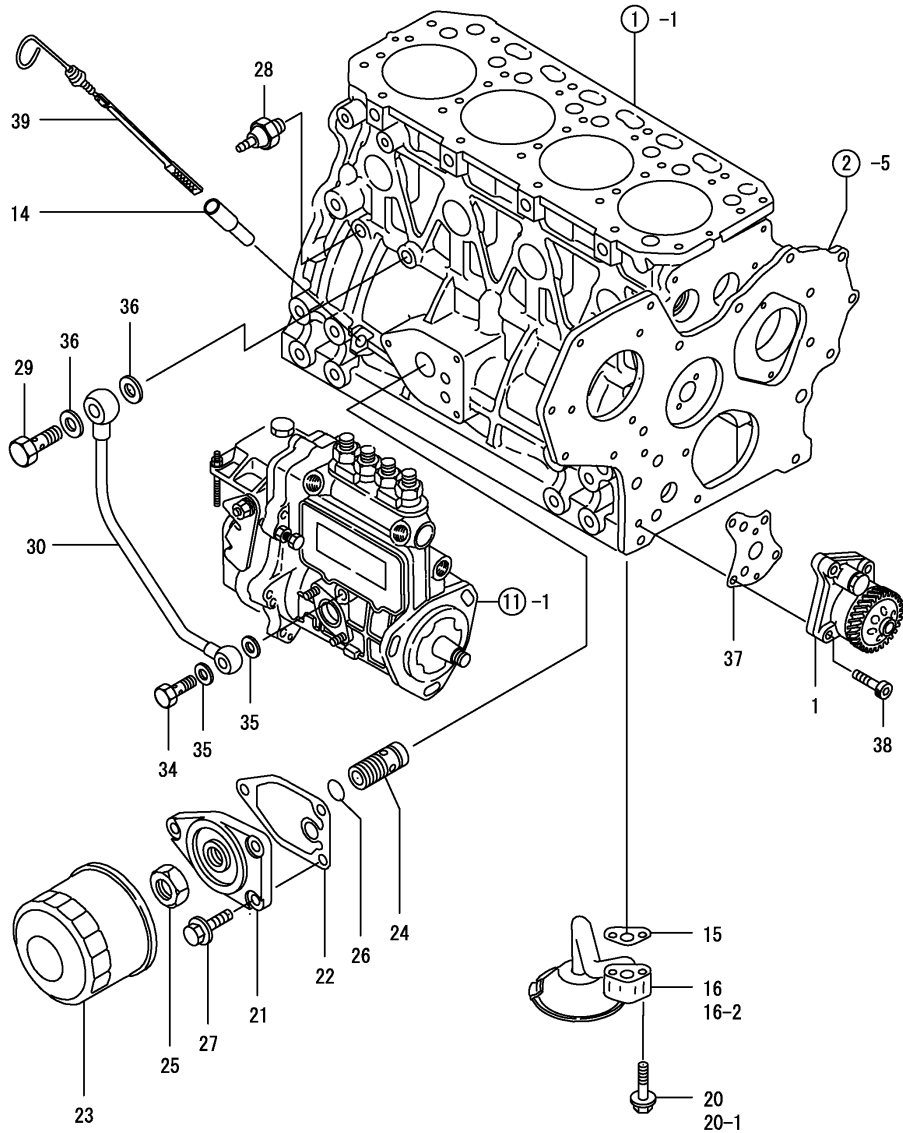
No.	Lev.	Parts No.	Description	Q'ty						I	R
				(A)	(B)	(C)	(D)	(E)	(F)		
1	1	129407-21000	CRANKSHAFT ASSY	1							
2	2	129100-01580	PIN, M8X16	1							
5	2	129150-21200	GEAR, CRANKSHAFT	1							
6	2	22512-070140	KEY, 7X 14	1							
8	1	22351-040010	PIN, SPRING 4.0X10	1							
9	1	171301-21650	V-PULLEY	1							
10	1	129795-21661	WASHER	1							
11	1	121850-21680	BOLT	1							
12	1	121111-21501	BOLT, FLYWHEEL	6							
13	1	171420-21580	FLYWHEEL ASSY	1							
16	2	119865-21600	GEAR, RING	1							
17	1	129002-22081	PISTON ASSY	4							
19	2	129002-22500	RING SET, PISTON	4							
23	1	129202-22300	PIN, PISTON D26 L70	4							
24	1	22252-000260	RING, 26	8							
25	1	729402-23100	ROD ASSY, CONNECTING	4							
29	2	129100-23910	BEARING, PISTON PIN	4							1
30	2	121550-23200	BOLT, CONNECTING ROD	8							
31	2	129150-23600	BEARING, CRANK PIN	4							
33	1	129002-22901	PISTON ASSY, 0.25 OS	4							2
35	2	129002-22950	RING SET, 0.25 OS	4							2
39	1	129150-23610	BEARING, 0.25 US	4							3

Remarks

- (1) REPAIR PART.
- (2) OVER-SIZE (O.S=0.25) PART.
- (3) UNDER-SIZE(U.S=0.25) PART.

Fig.9. LUB.OIL SYSTEM

Y00D5590  
4TNE84-TW



(A)=4TNE84-TW

(B)=

(C)=

(D)=

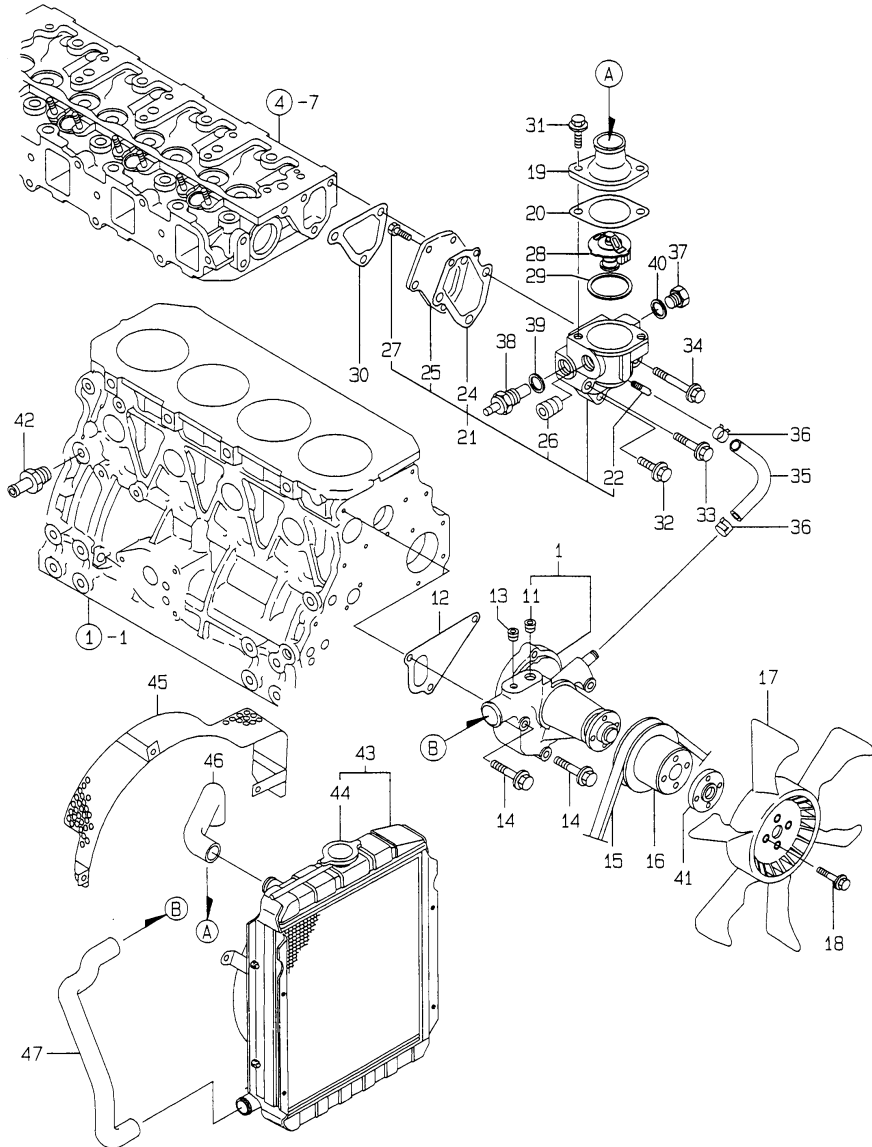
(E)=

(F)=

No.	Lev.	Parts No.	Description	Q'ty						I	R
				(A)	(B)	(C)	(D)	(E)	(F)		
1	1	129407-32000	PUMP ASSY, OIL	1							
14	1	121520-34810	GUIDE, DIPSTICK	1							
15	1	129150-35041	GASKET	1							
15-1	1	129150-35042 (A=EZZZZZ)	GASKET	1							N
16	1	129436-35090	PIPE ASSY, OIL INLET	1							
16-1	1	129436-35091 (A=EZZZZZ)	PIPE ASSY, OIL INLET	1							N
16-2	1	129436-35070 (A=EZZZZZ)	PIPE ASSY	1							S
20	1	26106-080352	BOLT, M8X 35 PLATED	2							
20-1	1	26106-080552 (A=EZZZZZ)	BOLT, M8X 55 PLATED	2							S
21	1	129150-35101	BRACKET, STRAINER	1							
22	1	129150-35111	GASKET	1							
23	1	129150-35151	FILTER, D80XL80	1							
24	1	129001-35300	BOLT, FILTER	1							
25	1	129150-35350	NUT	1							
26	1	24311-000160	O-RING, 1AP16.0	1							
27	1	26106-080202	BOLT, M8X 20 PLATED	3							
28	1	124160-39450	SWITCH, 0.5KG	1							
29	1	124160-39140	BOLT, PIPE JOINT M10	1							
30	1	129550-39450	PIPE ASSY, OIL	1							
34	1	124550-59820	BOLT, PIPE JOINT M8	1							
35	1	22190-080002	WASHER, SEAL 6	2							
36	1	23414-100000	GASKET, 10X1.0	2							
37	1	129150-32020	GASKET, PUMP	1							
38	1	26450-060252	BOLT, M6X 25	4							
39	1	171420-34820	DIPSTICK, OIL	1							

Fig.10. COOLING WATER SYSTEM

00D5590  
4TNEB4-TW



(A)=4TNEB4-TW

(B)=

(C)=

(D)=

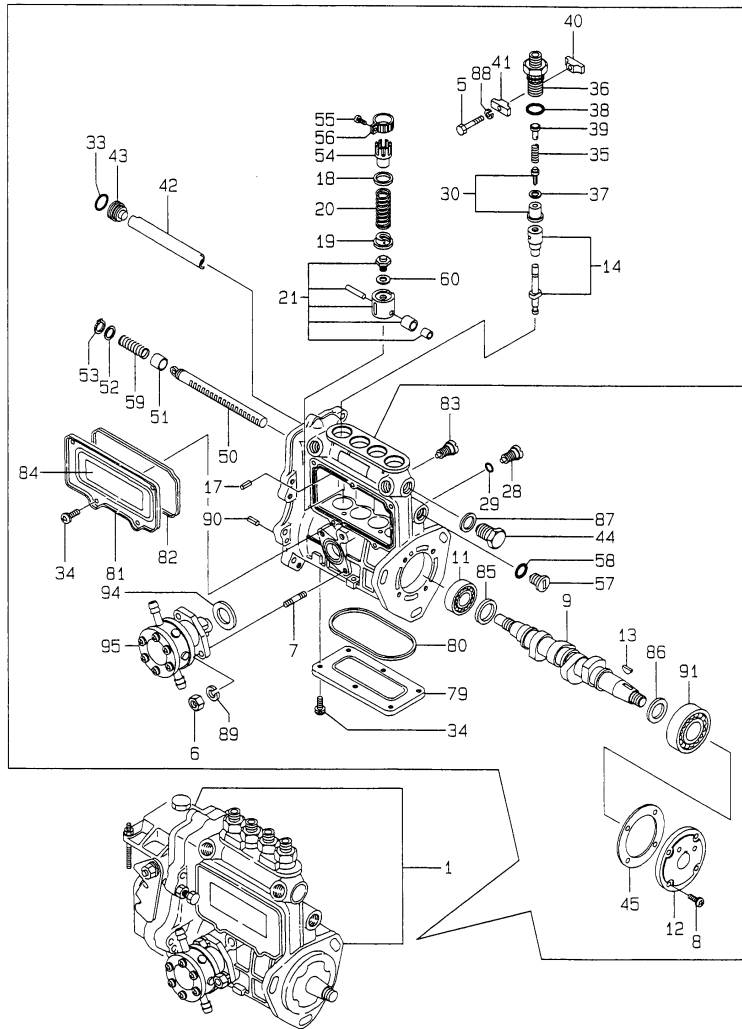
(E)=

(F)=

No.	Lev.	Parts No.	Description	Q'ty						I	R
				(A)	(B)	(C)	(D)	(E)	(F)		
1	1	129100-42002	PUMP ASSY, WATER	1							
11	2	23871-030000	PLUG, R03	1							
12	1	129100-42020	GASKET, WATER PUMP	1							
13	1	121850-11860	PLUG, PT1/4	1							
14	1	26106-080602	BOLT, M8X 60 PLATED	3							
15	1	25132-003700	V-BELT, A37	1							
16	1	129403-42380	V-PULLEY, D=110	1							
17	1	129432-44740	FAN, COOLING D370XEF	1							
18	1	26014-060252	BOLT, M6X 25	4							
19	1	129350-49530	COVER, THERMOSTAT	1							
20	1	129795-49551	GASKET	1							
21	1	129100-49800	CASE ASSY,THERMOSTAT	1							
22	2	124770-11770	JOINT, PIPE PT1/8	1							
24	2	129100-49820	GASKET	1							
25	2	129100-49830	COVER, THERMOSTAT	1							
26	2	23871-030000	PLUG, R03	1							
27	2	26116-060162	BOLT, M6X 16 PLATED	2							
28	1	129155-49800	THERMOSTAT, 71	1							
29	1	129150-49811	GASKET, THERMOSTAT	1							
30	1	129100-49840	GASKET	1							
31	1	26106-080202	BOLT, M8X 20 PLATED	2							
32	1	26106-080252	BOLT, M8X 25 PLATED	1							
33	1	26106-080502	BOLT, M8X 50 PLATED	1							
34	1	26106-080602	BOLT, M8X 60 PLATED	1							
35	1	129132-49050	PIPE, WATER	1							
36	1	23000-016000	CLAMP, 16	2							
37	1	121450-42450	PLUG, M16	1							
38	1	121250-44901	SWITCH, 110	1							
39	1	124465-44950	GASKET, 16	1							
40	1	124465-44950	GASKET, 16	1							
41	1	124574-44761	SPACER, FAN	1							
42	1	121550-49111	JOINT, PT1/4	1							
43	1	171460-44500	RADIATOR	1							
44	2	123682-44210	CAP, RADIATOR	1							
45	1	129411-44560	PROTECTOR, FAN	1							
46	1	171420-49010	PIPE, WATER	1							
47	1	171420-49020	PIPE, WATER	1							

Fig.11. FUEL INJECTION PUMP

Y00D5590  
4TNE84-TW



(A)=4TNE84-TW

(B)=

(C)=

(D)=

(E)=

(F)=

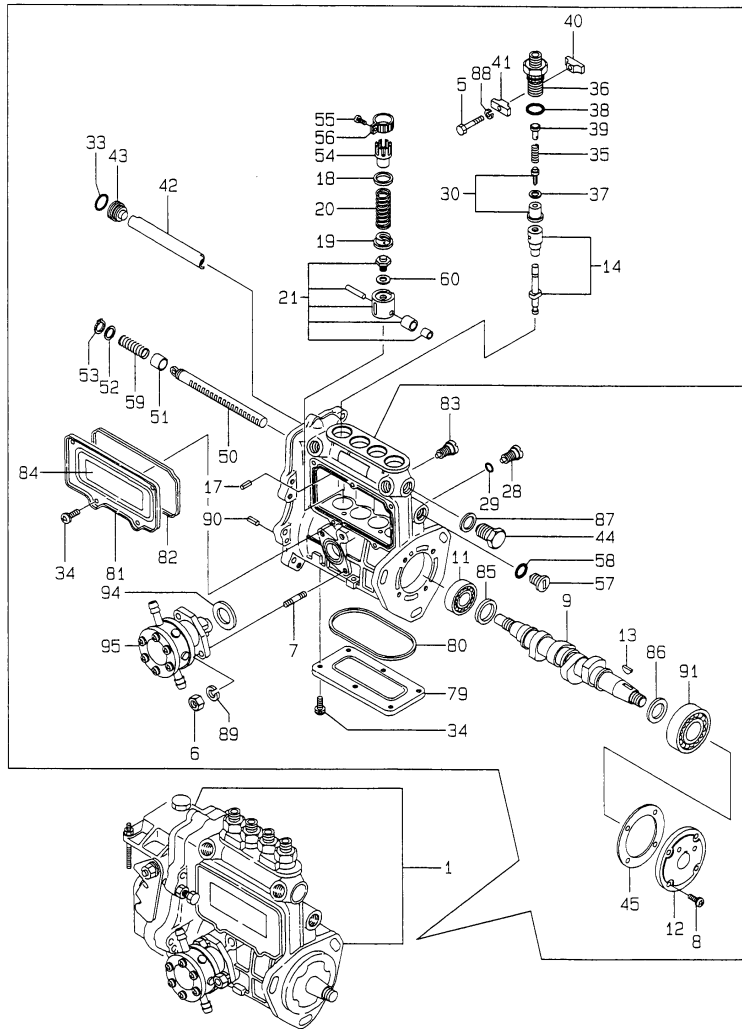
No.	Lev.	Parts No.	Description	Q'ty						I	R
				(A)	(B)	(C)	(D)	(E)	(F)		
1	1	729614-51360	PUMP ASSY, INJECTION	1							1
5	2	26116-050302	BOLT, M5X 30 PLATED	2							
6	2	26716-060002	NUT, M6	2							
7	2	129155-51020	STUD	2							
8	2	26022-060162	SCREW, M6X16	4							
9	2	129470-51040	CAMSHAFT	1							
11	2	129155-51050	BEARING, 17BM001D	1							
12	2	129155-51060	SUPPORT, CAMSHAFT	1							
13	2	122710-51090	KEY	1							
14	2	129506-51100	PLUNGER ASSY	4							
17	2	129155-51140	PIN	4							
18	2	174307-51170	RETAINER, SPRING A	4							
19	2	129155-51180	RETAINER, SPRING	4							
20	2	124950-51190	SPRING, PLUNGER	4							
21	2	129155-51200	TAPPET ASSY	4							
28	2	129155-51270	STOPPER, TAPPET	4							
29	2	129155-51280	O-RING, S6	4							
30	2	129100-51300	VALVE ASSY, DELIVERY	4							
33	2	24341-000160	O-RING, 1AS16.0	1							
34	2	26022-050102	SCREW, M5X10	11							
35	2	129155-51320	SPRING, DELIVERY	4							
36	2	129155-51340	RETAINER	4							
37	2	124550-51350	GASKET, DELIVERY	4							
38	2	124550-51370	O-RING	4							
39	2	129155-51370	STOPPER, VALVE	4							
40	2	129155-51380	STOPPER	2							
41	2	129155-51390	STOPPER	2							
42	2	129555-51400	DEFLECTOR	1							
43	2	129155-51410	BOLT	1							
44	2	129155-51420	PLUG, M16	1							
45	2	129155-51450	SHIM SET, ADJUSTING	1							
50	2	129555-51500	RACK, CONTROL	1							
51	2	129155-51521	BUSH, RACK	1							
52	2	129155-51530	SPACER	1							
53	2	129155-51540	CIRCLIP	1							
54	2	129155-51550	PINION, CONTROL	4							
55	2	122117-51560	SCREW	4							
56	2	174307-51560	PINION	4							
57	2	129155-51570	PLUG, M12	1							
58	2	129155-51580	O-RING	1							
59	2	129155-51591	SPRING, RACK	1							
60	2	129155-51600	SHIM SET, ADJUSTING	4							
79	2	129555-51700	COVER	1							
80	2	129555-51710	GASKET	1							
81	2	129555-51750	COVER	1							
82	2	129555-51760	GASKET	1							
83	2	129155-51790	STOOPER, RACK	1							
84	2	129156-51910	LABEL, CAUTION	1							
85	2	129155-51930	SPACER, T=3.25	1							
86	2	129155-51940	SPACER, T=1.5	1							
87	2	22190-160002	WASHER, SEAL 16	1							

Remarks

(1) GOVERNOR ASSY(FIG.12) IS INCORPORATED IN THIS FOP.CMP (REF.NO.1).

# Fig.11. FUEL INJECTION PUMP

Y00D5590  
4TNE84-TW



(A)=4TNE84-TW

(B)=

(C)=

(D)=

(E)=

(F)=

No.	Lev.	Parts No.	Description	Q'ty						I	R
				(A)	(B)	(C)	(D)	(E)	(F)		
88	2	22217-050000	WASHER, SPRING 5	2							
89	2	22217-060000	WASHER, SPRING 6	2							
90	2	22351-050010	PIN, SPRING 5.0X10	2							
91	2	24101-063034	BEARING, BALL 6303	1							
94	2	129155-52050	GASKET	1							
95	2	129100-52100	PUMP ASSY, FUEL FEED	1							

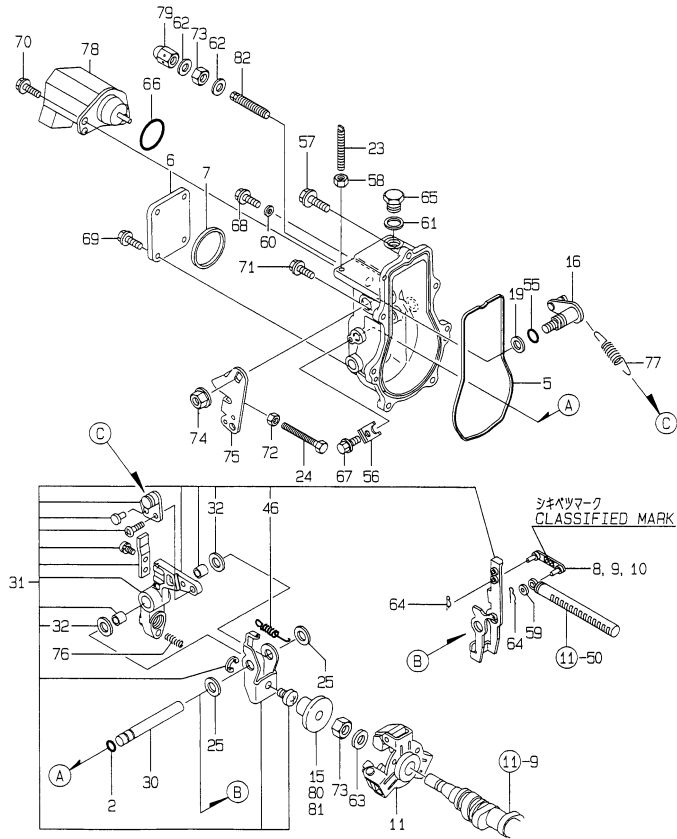
**Remarks**

(1) GOVERNOR ASSY(FIG.12) IS INCORPORATED IN THIS FOP.CMP (REF.NO.1).



Fig.12. GOVERNOR

Y00D5590  
4TNE84-TW



(A)=4TNE84-TW

(B)=

(C)=

(D)=

(E)=

(F)=

No.	Lev.	Parts No.	Description	Q'ty						I	R
				(A)	(B)	(C)	(D)	(E)	(F)		
2	2	129155-51280	O-RING, S6	1							
5	2	129052-61050	GASKET	1							
6	2	129052-61060	COVER, GOVERNOR CASE	1							
7	2	129052-61070	GASKET	1							
8	2	129155-61120	LINK, L=30 MARK 0	1							1
9	2	129155-61130	LINK, L=31 MARK 1	1							1
10	2	129155-61140	LINK, L=30.5 MARK 05	1							1
11	2	129155-61201	WEIGHT ASSY,GOVERNOR	1							
15	2	129155-61341	SLEEVE	1							2
16	2	129100-61400	SHAFT ASSY	1							
19	2	129155-61430	SPACER	1							
23	2	129155-61450	BOLT, LIMITER	1							
24	2	129155-61460	BOLT, IDLE	1							
25	2	129155-61480	SPACER ASSY	2							
30	2	129052-61390	SHAFT	1							
31	2	129052-61500	LEVER ASSY, GOVERNOR	1							
32	3	174307-51700	SHIM SET	2							
46	3	129052-61540	SPRING, SET	1							
55	2	129155-61830	O-RING, S10	1							
56	2	119660-61901	RETAINER, SHAFT	1							
57	2	129155-61950	BOLT	1							
58	2	124550-66370	NUT, M6	1							
59	2	22117-040000	WASHER, 4	1							
60	2	22190-060002	WASHER, SEAL 6	1							
61	2	22190-100002	WASHER, SEAL 10	1							
62	2	22190-120002	WASHER, SEAL 12	2							
63	2	22287-120000	WASHER, 12	1							
64	2	22372-040000	PIN, SNAP 4	2							
65	2	23887-100002	PLUG, 10	1							
66	2	24341-000280	O-RING, 1AS28.0	1							
66-1	2	158552-61900	O-RING	1							N
		(A=EXXXXX)									
67	2	26106-060102	BOLT, M6X 10 PLATED	1							
68	2	26106-060102	BOLT, M6X 10 PLATED	1							
69	2	26106-060102	BOLT, M6X 10 PLATED	4							
70	2	26106-060142	BOLT, M6X 14 PLATED	2							
71	2	26106-060202	BOLT, M6X 20 PLATED	6							
72	2	26756-060002	NUT, LOCK M6	1							
73	2	26776-120002	NUT, LOCK M12	2							
74	2	26366-080002	NUT, M8	1							
75	2	129100-61440	LEVER, CONTROL	1							
76	2	129100-61650	SPRING, CONTROLLER	1							
77	2	171353-61710	SPRING, GOVERNOR	1							
78	2	119285-77950	SOLENOID	1							
79	2	26687-120002	NUT, CAP M12	1							
80	2	129155-61350	SLEEVE, L=24.9	1							2
81	2	129155-61360	SLEEVE, L=25.2	1							2
82	2	129129-61450	LIMITER ASSY, FUEL	1							

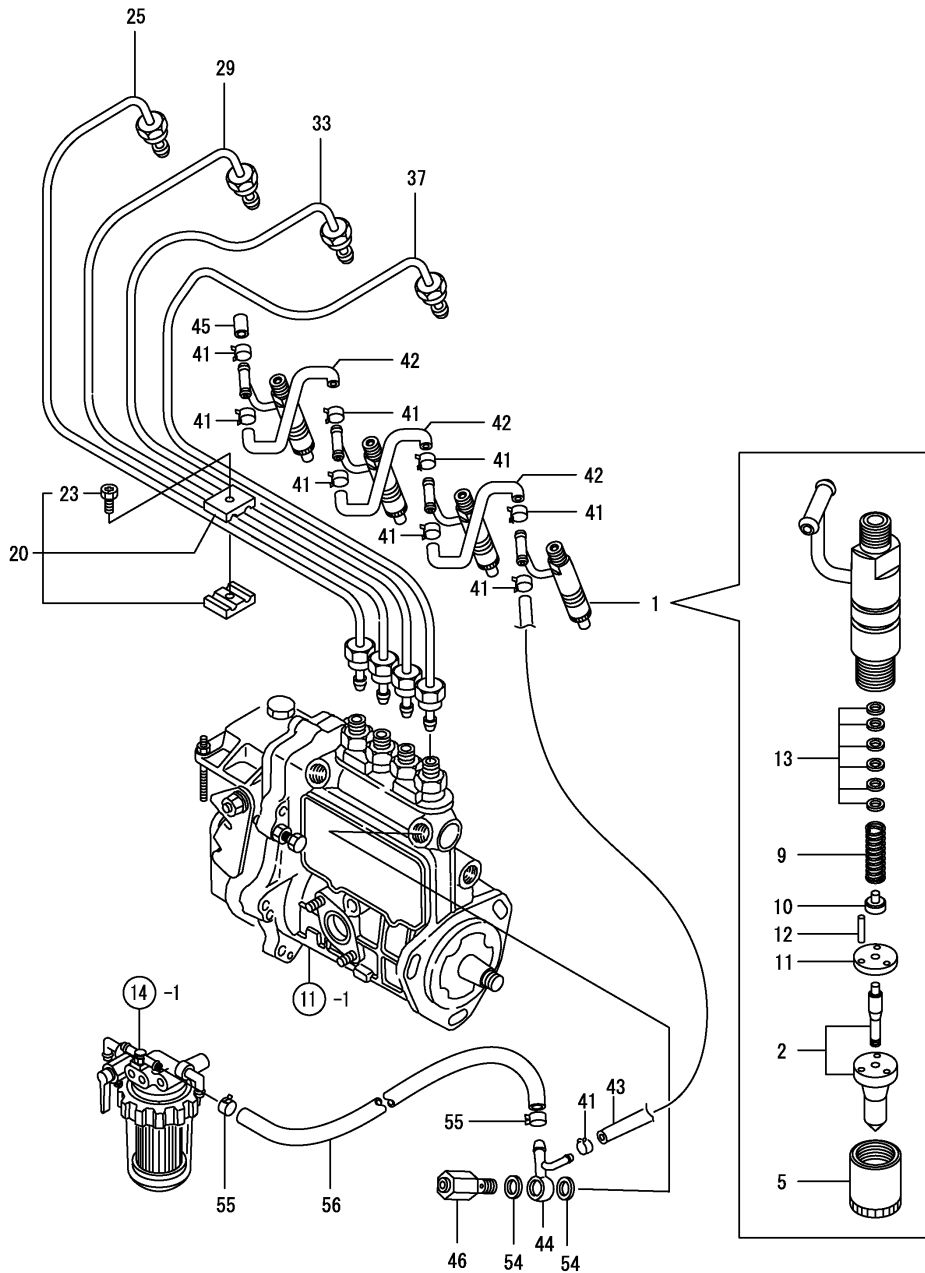
Remarks

(1) SELECTIVE PARTS: CERTAIN THE CLASSIFICATION MARK, THEN PLACE YOUR ORDER.(REFER TO ILLUSTRATION).

(2) SELECTIVE PARTS.

\* THIS FIGURE(GOVERNOR ASSY) IS INCORPORATED IN THE FUEL INJECTION PUMP ASSY(FIG.11).

Fig.13. FUEL INJECTION VALVE



(A)=4TNE84-TW

(B)=

(C)=

(D)=

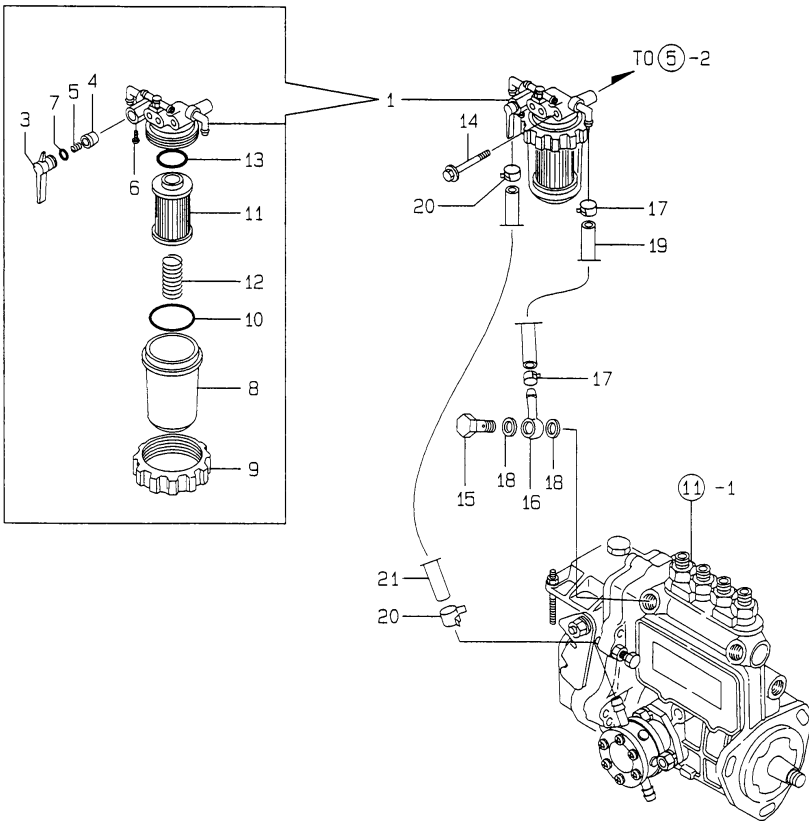
(E)=

(F)=

No.	Lev.	Parts No.	Description	Q'ty						I	R
				(A)	(B)	(C)	(D)	(E)	(F)		
1	1	729503-53100	VALVE ASSY,INJECTION	4							
2	2	129503-53000	VALVE ASSY,INJECTION	4							
5	2	114250-53080	NUT, NOZZLE D16.95	4							
9	2	114250-53120	SPRING, NOZZLE	4							
10	2	114250-53130	SEAT, SPRING	4							
11	2	114250-53140	PLATE	4							
12	2	114250-53210	PIN	8							
13	2	114250-53400	SHIM SET	4							
20	1	119305-59120	RETAINER, PIPE	2							
23	2	129150-59131	BOLT, M4X14	2							
25	1	129407-59811	PIPE ASSY, INJECTION	1							
29	1	129407-59822	PIPE ASSY, INJECTION	1							
33	1	129407-59832	PIPE ASSY, INJECTION	1							
37	1	129407-59841	PIPE ASSY, INJECTION	1							
41	1	124066-59100	CLIP, HOSE 8	9							
42	1	121250-59550	PIPE, FUEL D8X120	3							
43	1	119840-59560	PIPE, FUEL RETURN	1							
44	1	119840-59570	JOINT	1							
45	1	129150-59580	CAP	1							
46	1	129100-59951	VALVE ASSY, CHECK	1							
54	1	23414-120000	GASKET, 12X1.0	2							
55	1	124766-59050	CLIP, HOSE 12	2							
56	1	105025-59530	PIPE, FUEL D13X400	1							

# Fig.14. FUEL LINE

Y00D5590  
4TNE84-TW



(A)=4TNE84-TW

(B)=

(C)=

(D)=

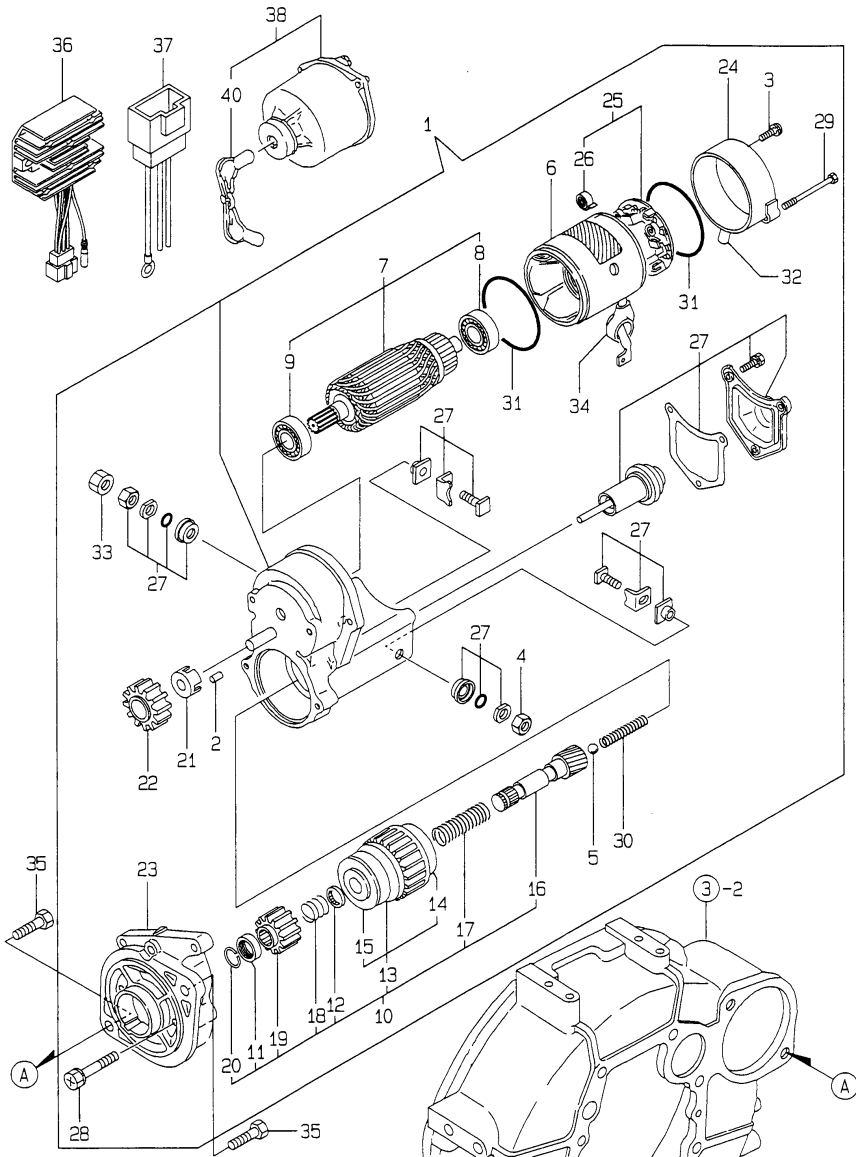
(E)=

(F)=

No.	Lev.	Parts No.	Description	Q'ty						I	R
				(A)	(B)	(C)	(D)	(E)	(F)		
1	1	129052-55620	FILTER ASSY, FUEL	1							
3	2	129100-55670	LEVER	1							
4	2	104200-55321	VALVE, TAPER	1							
5	2	104200-55330	SPRING, VALVE	1							
6	2	104200-55750	SCREW, M4	1							
7	2	24311-240100	O-RING, 1AP10A	1							
8	2	129100-55680	CUP, STRAINER	1							
9	2	129100-55690	RING, RETAINING	1							
10	2	24321-000650	O-RING, 1AG65.0	1							
11	2	129100-55650	ELEMENT	1							
12	2	129100-55700	SPRING	1							
13	2	24311-000160	O-RING, 1AP16.0	1							
14	1	26014-080702	BOLT, M8X 70	1							
15	1	103854-39140	BOLT, PIPE JOINT	1							
16	1	101304-59020	JOINT, PIPE 12	1							
17	1	124766-59050	CLIP, HOSE 12	2							
18	1	104200-59170	GASKET, 12	2							
19	1	105312-59510	PIPE, FUEL	1							
20	1	124766-59050	CLIP, HOSE 12	2							
21	1	105025-59530	PIPE, FUEL D13X400	1							

Fig.15. STARTING MOTOR

Y0005590  
4TNE84-TW



(A)=4TNE84-TW

(B)=

(C)=

(D)=

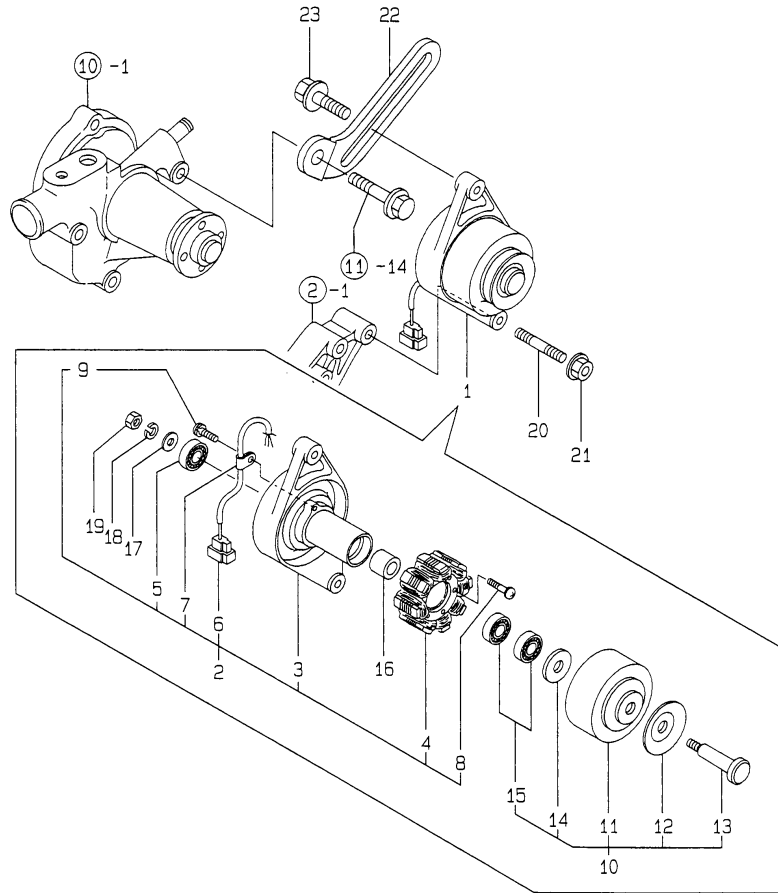
(E)=

(F)=

No.	Lev.	Parts No.	Description	Qty						I	R
				(A)	(B)	(C)	(D)	(E)	(F)		
1	1	129407-77010	STARTER, RA1.4	1							
2	2	X0283060061	ROLLER	5							
3	2	X0289030010	SCREW	2							
4	2	X9490561370	NUT	1							
5	2	X9491200240	BALL	1							
6	2	129407-77210	YOKE ASSY	1							
7	2	129407-77220	ARMATURE ASSY	1							
8	3	129129-77230	BEARING	1							
9	3	129129-77240	BEARING	1							
10	2	129407-77250	STARTER	1							
11	3	X0280210230	NUT	1							
12	3	X0283270140	RETAINER	1							
13	3	129407-77390	CLUTCH ASSY	1							
14	4	129129-77440	BEARING, BALL	1							
15	4	129129-77450	BEARING, BALL	1							
16	3	129129-77400	SHAFT	1							
17	3	129129-77410	SPRING, COIL	1							
18	3	129407-77410	SPRING	1							
19	3	129129-77420	PINION, STARTER	1							
20	3	129129-77430	RING	1							
21	2	129129-77260	RETAINER	1							
22	2	129129-77270	PINION	1							
23	2	129407-77280	HOUSING	1							
24	2	129129-77290	FRAME	1							
25	2	129407-77300	HOLDER ASSY	1							
26	3	X9491730461	SPRING	4							
27	2	129407-77310	SWITCH ASSY	1							
28	2	129129-77320	BOLT	2							
29	2	129407-77330	BOLT	2							
30	2	129129-77340	SPRING	1							
31	2	129129-77350	O-RING	2							
32	2	129129-77361	BUSH	1							
33	2	129129-77370	NUT	1							
34	2	129129-77380	CAP	1							
35	1	26116-120252	BOLT, M12X 25 PLATED	2							
36	1	129132-77700	LIMITER, RS5136	1							
37	1	119285-77910	CONNECTOR	1							
38	1	129115-91250	SWITCH ASSY	1							
40	2	129115-91270	KEY ASSY	1							

Fig.16. GENERATOR

Y0005590  
4TNE84-TW



(A)=4TNE84-TW

(B)=

(C)=

(D)=

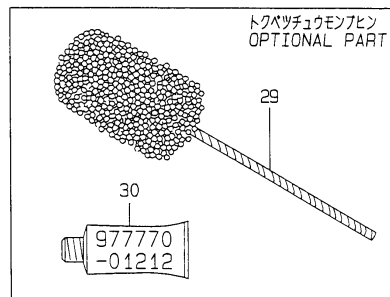
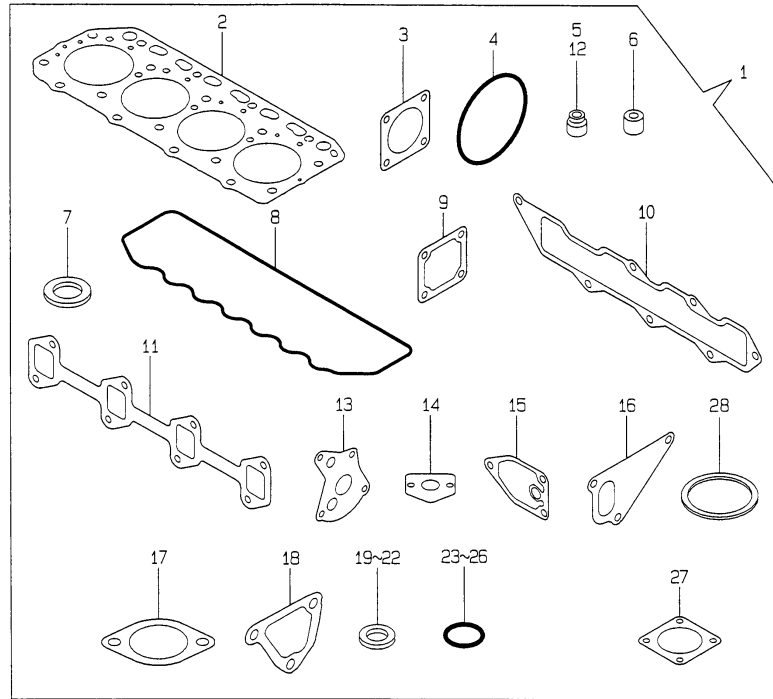
(E)=

(F)=

No.	Lev.	Parts No.	Description	Q'ty						I	R
				(A)	(B)	(C)	(D)	(E)	(F)		
1	1	171301-77201	DYNAMO ASSY, 15A	1							
2	2	XM08137	PLATE ASSY	1							
3	3	XM08138	PLATE	1							
4	3	XM08180	STATOR SET	1							
5	3	XM27436	BEARING, BALL	1							
6	3	XM17878	COUPLER	1							
7	3	XM36410	CLAMP	1							
8	3	26022-040252	SCREW, M4X25	2							
9	3	XYSPS4008	SCREW	1							
10	2	XM82184	FLYWHEEL ASSY	1							
11	3	XM82110	FLYWHEEL	1							
12	3	XM72174	PULLEY	1							
13	3	XM72664	SHAFT	1							
14	3	XM37336	WASHER	1							
15	3	XM27436	BEARING, BALL	2							
16	2	106383-44720	SPACER	1							
17	2	106383-44730	WASHER	1							
18	2	22212-100000	SPRING WASHER 10	1							
19	2	26716-100002	NUT, M10	1							
20	1	121450-01570	STUD	1							
21	1	26366-100002	NUT, M10	1							
22	1	129400-77330	ADJUSTER	1							
23	1	26014-080252	BOLT, M8X 25	1							

# Fig.17. GASKET SET

Y00D5590  
4TNE84-TW



(A)=4TNE84-TW

(B)=

(C)=

(D)=

(E)=

(F)=

No.	Lev.	Parts No.	Description	Q'ty						I	R
				(A)	(B)	(C)	(D)	(E)	(F)		
1	1	729408-92610	GASKET SET	1							1
2	2	129408-01330	GASKET, HEAD	1							
3	2	124240-01883	GASKET	1							
4	2	121850-51960	O-RING	1							
5	2	124460-11340	SEAL, VALVE STEM	4							
6	2	119625-11871	PROTECTOR, NOZZLE	4							
7	2	119625-11880	SEAT, NOZZLE	4							
8	2	129550-11310	GASKET, BONNET	1							
9	2	129150-77511	GASKET	1							
10	2	129407-12110	GASKET, MANIFOLD	1							
11	2	129550-13110	GASKET	1							
12	2	121400-11340	SEAL, VALVE STEM	4							
13	2	129150-32020	GASKET, PUMP	1							
14	2	129150-35041	GASKET	1							
15	2	129150-35111	GASKET	1							
16	2	129100-42020	GASKET, WATER PUMP	1							
17	2	129795-49551	GASKET	1							
18	2	129100-49840	GASKET	1							
19	2	124465-44950	GASKET, 16	2							
20	2	104200-59170	GASKET, 12	2							
21	2	23414-120000	GASKET, 12X1.0	2							
22	2	23414-100000	GASKET, 10X1.0	2							
23	2	24311-000120	O-RING, 1AP12.0	3							
24	2	24311-000160	O-RING, 1AP16.0	3							
25	2	24311-000320	O-RING, 1AP32.0	2							
26	2	24341-000500	O-RING, 1AS50.0	1							
27	2	129400-13201	GASKET, SILENCER	1							
28	2	129150-49811	GASKET, THERMOSTAT	1							
29	1	129400-92420	HONE	1							1
30	1	977770-01212	GASKET, LIQUID	1							1

Remarks

(1) OPTIONAL PART.

## Parts No. Index

Parts No.	Fig. No.	Ref. No.
101304-59020	14	16
103854-39140	14	15
104200-55321	14	4
104200-55330	14	5
104200-55750	14	6
104200-59170	14	18
	17	20
105025-59530	13	56
	14	21
105312-59510	14	19
106383-44720	16	16
106383-44730	16	17
114250-53080	13	5
114250-53120	13	9
114250-53130	13	10
114250-53140	13	11
114250-53210	13	12
114250-53400	13	13
119285-77910	15	37
119285-77950	12	78
119305-59120	13	20
119620-01750	3	3
119625-11871	4	27
	17	6
119625-11880	4	25
	17	7
119625-11900	4	26
119660-61901	12	56
119808-12520	5	11
119808-12530	5	12
119808-12540	5	13
119840-59560	13	43
119840-59570	13	44
119865-21600	8	16
120130-11860	4	11
121023-01550	2	25
121111-21501	8	12
121250-44901	10	38
121250-59550	13	42
121400-11340	4	22
	17	12
121450-01560	2	6
121450-01570	16	20
121450-42450	10	37
121520-34810	9	14
121550-23200	8	30
121550-49111	10	42
121750-59890	4	58
121850-11860	10	13
121850-21680	8	11

Parts No.	Fig. No.	Ref. No.
121850-51960	2	12
	17	4
122117-51560	11	55
122710-51090	11	13
123682-44210	10	44
124066-59100	13	41
124160-01751	2	7
	4	46
124160-01910	1	5
		6
124160-11360	4	56
124160-39140	9	29
124160-39450	9	28
124240-01871	2	8
124240-01883	2	9
	17	3
124460-11340	4	23
	17	5
124465-44950	10	39
		40
	17	19
124550-51350	11	37
124550-51370	11	38
124550-59820	9	34
124550-66370	12	58
124574-44761	10	41
124736-07900	4	5
124766-59050	13	55
	14	17
		20
124770-11770	10	22
124950-51190	11	20
129001-02800	1	15
129001-35300	9	24
129002-22081	8	17
129002-22500	8	19
129002-22901	8	33
129002-22950	8	35
129052-55620	14	1
129052-61050	12	5
129052-61060	12	6
129052-61070	12	7
129052-61390	12	30
129052-61500	12	31
129052-61540	12	46
129100-01580	3	1
		15
	8	2
129100-01640	3	16
129100-11100	4	17

Parts No.	Fig. No.	Ref. No.
129100-11110	4	18
129100-23910	8	29
129100-25061	7	9
129100-42002	10	1
129100-42020	10	12
	17	16
129100-49800	10	21
129100-49820	10	24
129100-49830	10	25
129100-49840	10	30
	17	18
129100-51300	11	30
129100-52100	11	95
129100-55650	14	11
129100-55670	14	3
129100-55680	14	8
129100-55690	14	9
129100-55700	14	12
129100-59951	13	46
129100-61400	12	16
129100-61440	12	75
129100-61650	12	76
129115-91250	15	38
129115-91270	15	40
129120-77501	5	6
129129-61450	12	82
129129-77230	15	8
129129-77240	15	9
129129-77260	15	21
129129-77270	15	22
129129-77290	15	24
129129-77320	15	28
129129-77340	15	30
129129-77350	15	31
129129-77361	15	32
129129-77370	15	33
129129-77380	15	34
129129-77400	15	16
129129-77410	15	17
129129-77420	15	19
129129-77430	15	20
129129-77440	15	14
129129-77450	15	15
129132-49050	10	35
129132-77700	15	36
129150-01200	1	28
129150-02020	1	12
129150-02450	7	4
129150-02870	1	31
129150-02930	1	24

Parts No.	Fig. No.	Ref. No.
129150-02940	1	34
129150-03020	4	47
129150-03070	4	48
129150-03080	4	49
129150-03100	2	11
129150-11230	4	38
129150-11280	4	33
129150-11370	4	24
129150-11750	4	40
129150-11810	4	13
129150-14101	7	7
129150-14200	7	1
129150-14400	7	2
129150-21200	8	5
129150-23600	8	31
129150-23610	8	39
129150-25101	7	10
129150-25900	7	15
129150-25920	7	13
129150-32020	9	37
	17	13
129150-35041	9	15
	17	14
129150-35042	9	15 -1
129150-35101	9	21
129150-35111	9	22
	17	15
129150-35151	9	23
129150-35350	9	25
129150-49811	10	29
	17	28
129150-59131	13	23
129150-59580	13	45
129150-77511	5	7
	17	9
129155-11260	4	31
129155-11270	4	32
129155-49800	10	28
129155-51020	11	7
129155-51050	11	11
129155-51060	11	12
129155-51140	11	17
129155-51180	11	19
129155-51200	11	21
129155-51270	11	28
129155-51280	11	29
	12	2
129155-51320	11	35
129155-51340	11	36
129155-51370	11	39

## Parts No. Index

Parts No.	Fig. No.	Ref. No.
129155-51380	11	40
129155-51390	11	41
129155-51410	11	43
129155-51420	11	44
129155-51450	11	45
129155-51521	11	51
129155-51530	11	52
129155-51540	11	53
129155-51550	11	54
129155-51570	11	57
129155-51580	11	58
129155-51591	11	59
129155-51600	11	60
129155-51790	11	83
129155-51930	11	85
129155-51940	11	86
129155-52050	11	94
129155-61120	12	8
129155-61130	12	9
129155-61140	12	10
129155-61201	12	11
129155-61341	12	15
129155-61350	12	80
129155-61360	12	81
129155-61430	12	19
129155-61450	12	23
129155-61460	12	24
129155-61480	12	25
129155-61830	12	55
129155-61950	12	57
129156-51910	11	84
129202-22300	8	23
129350-49530	10	19
129400-01520	2	5
129400-01730	3	6
129400-01770	3	8
129400-11350	4	45
129400-13201	6	7
	17	27
129400-77330	16	22
129400-92420	17	29
129403-42380	10	16
129407-11700	4	7
129407-12110	5	1
	17	10
129407-12120	5	2
129407-21000	8	1
129407-32000	9	1
129407-59811	13	25
129407-59822	13	29

Parts No.	Fig. No.	Ref. No.
129407-59832	13	33
129407-59841	13	37
129407-77010	15	1
129407-77210	15	6
129407-77220	15	7
129407-77250	15	10
129407-77280	15	23
129407-77300	15	25
129407-77310	15	27
129407-77330	15	29
129407-77390	15	13
129407-77410	15	18
129408-01330	1	29
	17	2
129411-13100	6	1
129411-44560	10	45
129432-44740	10	17
129436-35070	9	16 -2
129436-35090	9	16
129436-35091	9	16 -1
129470-51040	11	9
129503-53000	13	2
129506-51100	11	14
129550-11290	4	34
129550-11310	4	52
	17	8
129550-13110	6	2
	17	11
129550-39450	9	30
129555-11241	4	30
129555-51400	11	42
129555-51500	11	50
129555-51700	11	79
129555-51710	11	80
129555-51750	11	81
129555-51760	11	82
129619-12500	5	9
129619-12510	5	10
129795-01780	3	18
129795-01800	2	4
129795-01950	2	10
129795-02411	1	27
129795-11120	4	19
129795-11180	4	20
129795-21661	8	10
129795-49551	10	20
	17	17
158552-61900	12	66 -1
171051-01921	1	7
171301-01600	3	2

Parts No.	Fig. No.	Ref. No.
171301-01640	3	9
171301-21650	8	9
171301-77201	16	1
171353-61710	12	77
171420-21580	8	13
171420-34820	9	39
171420-49010	10	46
171420-49020	10	47
171460-44500	10	43
174307-51170	11	18
174307-51560	11	56
174307-51700	12	32
194990-22050	6	3
22117-040000	12	59
22190-060002	12	60
22190-080002	2	13
		14
	9	35
22190-100002	12	61
22190-120002	12	62
22190-160002	11	87
22212-100000	16	18
22217-050000	11	88
22217-060000	11	89
22217-120000	7	16
22252-000260	8	24
22287-120000	12	63
22351-040010	8	8
22351-050010	11	90
22351-060012	4	28
22372-040000	12	64
22512-070140	7	8
	8	6
23000-016000	10	36
23065-160800	4	1
23414-100000	9	36
	17	22
23414-120000	13	54
	17	21
23871-010000	1	8
23871-030000	10	11
		26
23887-100002	12	65
24101-063034	11	91
24311-000120	4	57
	17	23
24311-000160	2	15
	9	26
	14	13
	17	24

Parts No.	Fig. No.	Ref. No.
24311-000320	2	16
	4	53
	17	25
24311-240100	14	7
24321-000650	14	10
24341-000160	11	33
24341-000240	2	26
24341-000250	3	11
24341-000280	12	66
24341-000500	4	54
	17	26
25132-003700	10	15
26014-060252	10	18
26014-080252	16	23
26014-080702	14	14
26022-040252	16	8
26022-050102	11	34
26022-060162	11	8
26106-060102	12	67
		68
		69
26106-060122	2	27
26106-060142	12	70
26106-060202	12	71
26106-080122	2	17
26106-080142	4	6
26106-080162	1	30
	2	18
		19
	3	12
	4	55
26106-080202	2	20
	5	4
	9	27
	10	31
26106-080252	3	13
	4	43
	10	32
26106-080302	3	19
26106-080352	3	20
	5	8
	9	20
26106-080452	2	21
	3	14
		14 -1
	7	14
26106-080502	3	22
	4	44
	5	5
	10	33



## Parts No. Index

Parts No.	Fig. No.	Ref. No.
26106-080552	2	22
	9	20 -1
26106-080602	10	14
		34
26106-080802	6	4
26106-080852	2	23
26116-050302	11	5
26116-060162	10	27
26116-120252	15	35
26206-100252	3	4
26206-100302	3	5
26216-060202	4	15
26216-080222	6	5
26216-080802	6	6
26226-080182	4	41
26366-060002	4	29
26366-080002	2	24
	12	74
26366-100002	16	21
26450-060252	9	38
26687-120002	12	79
26716-060002	11	6
26716-100002	16	19
26716-120002	7	17
26756-060002	12	72
26756-080002	4	42
26776-120002	12	73
27231-500000	1	9
27241-120000	1	10
27241-300000	1	11
27241-400000	4	16
27310-080001	4	21
719810-01500	2	1
729402-11650	4	37
729402-14580	7	3
729402-23100	8	25
729408-01560	1	1
729408-92610	17	1
729503-53100	13	1
729614-51360	11	1
977770-01212	2	28
	3	21
	17	30
X0280210230	15	11
X0283060061	15	2
X0283270140	15	12
X0289030010	15	3
X9490561370	15	4
X9491200240	15	5
X9491730461	15	26

Parts No.	Fig. No.	Ref. No.
XM08137	16	2
XM08138	16	3
XM08180	16	4
XM17878	16	6
XM27436	16	5
		15
XM36410	16	7
XM37336	16	14
XM72174	16	12
XM72664	16	13
XM82110	16	11
XM82184	16	10
XYSPS4008	16	9

Parts No.	Fig. No.	Ref. No.
-----------	----------	----------

Parts No.	Fig. No.	Ref. No.
-----------	----------	----------