

OCD10-M55700EN

PREFACE

1. This Parts Catalog is the 1st edition of 3TNE74-MB Diesel Engine for MAEDA IND..

Pub. No. : 000Y00D5570
Published : November, 1995

2. Model name

Engine model	Vehicle		Vehicle made by
	Products	Model name	
3TNE74-MB	CRAWLER CRANE	—	MAEDA IND.

Directions for the Parts Catalog.

1. This Parts Catalog shows both standard and optional parts.
2. Parts may change without prior notice.
3. The following is an example of the Parts Catalog format.

REF.	LEV.	PARTS NO.	DESCRIPTION	Q'TY						I	R
				(A)	(B)	(C)	(D)	(E)	(F)		
1	1	729595-51390	FUEL INJECTION PUMP	1	1	1	1	1			1
1-1	1	729595-51391	FUEL INJECTION PUMP	1	1	1	1	1		N	1
		(A=E00185) (B=E00200)									
3	2	26022-060162	SCREW M 6X 16	9	9	9	9	9			
3-1	2	26022-060162	SCREW M 6X 16	4	4	4	4	4		K	
		(A=E00156) (B=E00156) (C=E00156) (D=E00156) (E=E00156)									
4	2	129470-51040	CAMSHAFT	1	1	1	1	1			
5	2	122710-51050	BEARING, ROLLER	2	2	2	2	2			
6	2	129470-51060	RETAINER	1	1	1	1	1			

Remarks
(1) BOOST COMPEMSATOR TYPE. OPTIONAL PART, TO E00155,(4JH-DT, 4JH-DTZ

① Ref. No.

The Ref. No. listed may not be in accordance with the illustration Ref. No.

(Ex.) Illustration No.

List Ref No.

1

1

(Before change)

1-1

(After change)

For interchangeable symbols N, R and K, illustrations for new parts may be abbreviated.

② Lev. (Level)

Level indication

The numbers below indicate the level of relativity towards the main part.

1 ----- Main parts (Assembly parts)

2 ----- Sub component included in " 1 ".

3 ----- Sub component included in " 2 ".

Note) Parts that are not for sale are partially illustrated but not listed.

③ Interchangeability Symbol

When a part change takes place, one of the following interchangeability symbols is indicated beside the part.

Symbol	Interchangeability	Contents note
N	Old $\begin{matrix} \leftarrow \text{Yes} \\ \text{No} \rightarrow \end{matrix}$ New	New Part is interchangeable for Old Part but Old Part is not interchangeable for New Part.
Q	Old $\begin{matrix} \leftarrow \text{No} \\ \text{Yes} \rightarrow \end{matrix}$ New	New Part is not interchangeable for Old Part but Old Part is interchangeable for New Part.
R	Old $\begin{matrix} \leftarrow \text{Yes} \\ \text{Yes} \rightarrow \end{matrix}$ New	New/ Old Parts are both interchangeable.
S	Old $\begin{matrix} \leftarrow \text{No} \\ \text{No} \rightarrow \end{matrix}$ New	New/ Old Parts are both not interchangeable.
W		Part newly added.
Z		Part discontinued.
F		Not interchangeable by a single part but interchangeable together with related parts.
K		Changes only for used parts quantities.

④ Effective Machine No.

When a part changes, the effective Machine No. will be indicated in the (A)-(F) column.

Product Symbol	Product No.	Product Symbol	Product No.
C	Clutch No. Compressor No.	F	Machine No. (Agricultural Equip.)
D	Drive No.	M	Machine No.
E	Engine No.		

Note 1) A date may follow the symbol. (Ex.) 1996.01

Note 2) "XXXXX" and "ZZZZZ" are for parts that could not be predicted or for engine models that could not be identified.

Note 3) (A=E00185) is the E (Engine Serial Number) for the column (A) model (in this case 4JH-DT) after the parts design change.

⑤ Remarks

Figures or alphabets (symbols) are entered in the remarks column.

The comments (remarks) on parts that are indicated at the bottom of the illustration are the same symbols as those stated above.

Contents

OCD10-M55700

Fig. No. Fig. Name

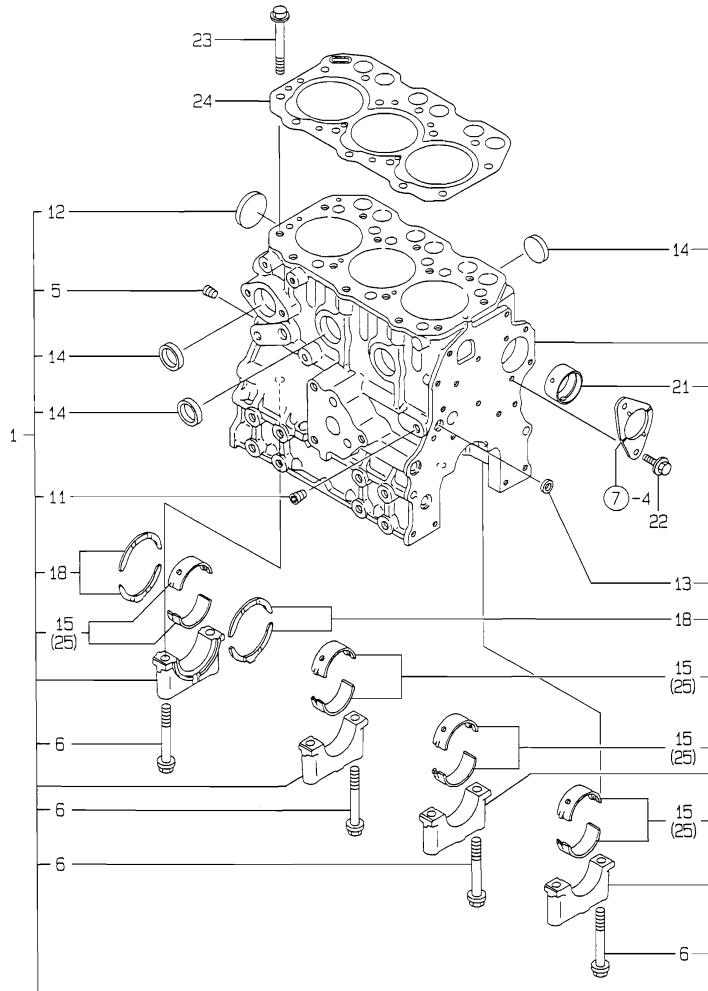
3TNE74-MB

1. CYLINDER BLOCK
2. GEAR HOUSING
3. FLYWHEEL HOUSING & OIL SUMP
4. CYLINDER HEAD & BONNET
5. SUCTION MANIFOLD & AIR CLEANER
6. EXHAUST MANIFOLD & SILENCER
7. CAMSHAFT & DRIVING GEAR
8. CRANKSHAFT & PISTON
9. LUB.OIL SYSTEM
10. COOLING WATER SYSTEM
11. FUEL INJECTION PUMP
12. GOVERNOR
13. FUEL INJECTION VALVE
14. FUEL LINE
15. ENGINE STOP DEVICE
16. STARTING MOTOR
17. GENERATOR
18. ELECTRIC PART
19. SAFETY LABEL
20. GASKET SET

Fig. No. Fig. Name

Fig.1. CYLINDER BLOCK

Y00D5570
3TNE74-MB



(A)=3TNE74-MB
(B)=
(C)=

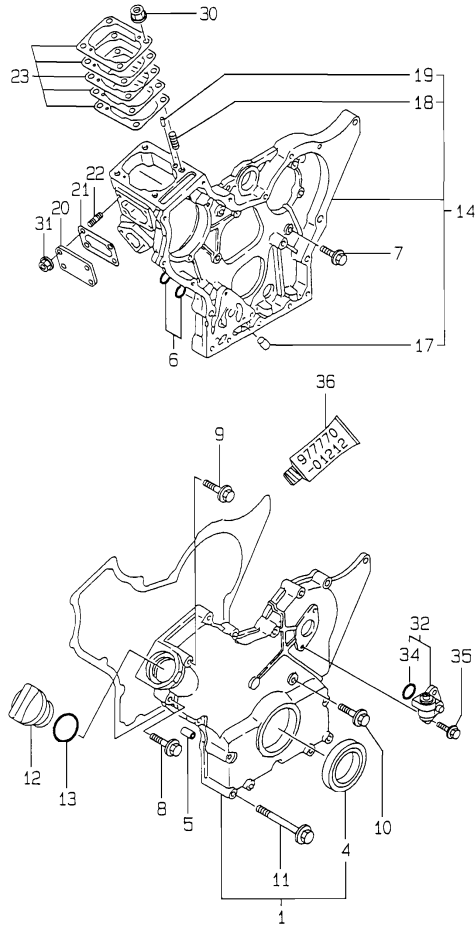
(D)=
(E)=
(F)=

No.	Lev.	Parts No.	Description	Q'ty						I	R
				(A)	(B)	(C)	(D)	(E)	(F)		
1	1	719623-01560	BLOCK ASSY, CYLINDER	1							
5	2	119600-01050	PLUG, PT1/4	1							
6	2	119620-02020	BOLT, METAL CAP	8							
11	2	23871-010000	PLUG, R01	1							
12	2	27231-450000	PLUG 45	1							
13	2	27241-120000	PLUG, 12	1							
14	2	27241-300000	PLUG 30	6							
15	2	719620-02800	BEARING, MAIN	4							
18	2	719620-02930	BEARING, THRUST	2							
21	2	119620-02410	BUSH, CAMSHAFT	1							
22	1	26106-060122	BOLT, M6X 12 PLATED	2							
23	1	119620-01200	BOLT, HEAD	14							
24	1	119623-01330	GASKET, HEAD	1							
25	1	719620-02870	BEARING, 0.25 US	4							1

Remarks
(1)UNDER-SIZE(U.S=0.25)PART.

Fig.2. GEAR HOUSING

Y0005570
3TNE74-MB



(A)=3TNE74-MB
(B)=
(C)=

(D)=
(E)=
(F)=

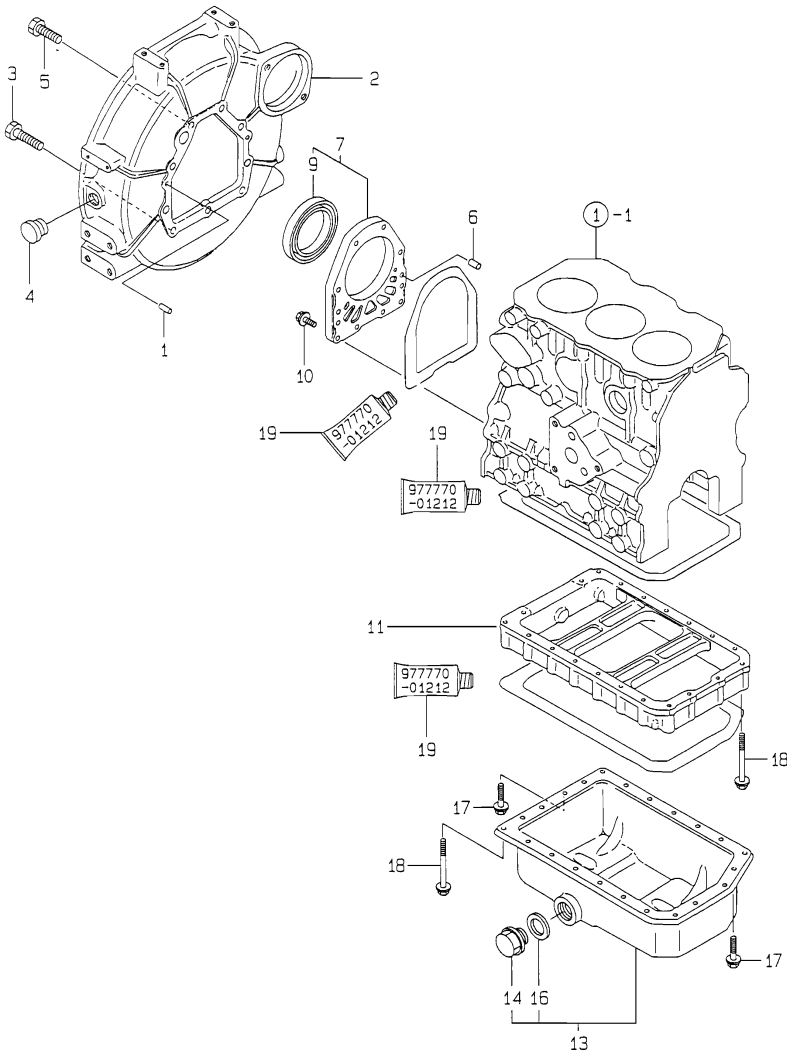
No.	Lev.	Parts No.	Description	Q'ty						I	R
				(A)	(B)	(C)	(D)	(E)	(F)		
1	1	119610-01590	COVER ASSY, GEAR CASE	1							
4	2	119620-01800	SEAL, OIL	1							
5	1	119660-01911	PIPE, KNOCK	4							
6	1	24311-000120	O-RING, 1AP12.0	2							
7	1	26106-060162	BOLT, M6X 16 PLATED	7							
8	1	26106-060302	BOLT, M6X 30 PLATED	8							
9	1	26106-060602	BOLT, M6X 60 PLATED	1							
10	1	26106-060602	BOLT, M6X 60 PLATED	3							
11	1	26106-060802	BOLT, M6X 80 PLATED	6							
12	1	124160-01751	COVER, FILLER	1							
13	1	24311-000320	O-RING, 1AP32.0	1							
14	1	119610-01490	CASE ASSY, GEAR	1							
17	2	119660-01510	PLUG, 10X14	1							
18	2	121450-01560	STUD, M8X22	4							
19	2	22351-040010	PIN, SPRING 4.0X10	2							
20	1	119660-01551	COVER	1							
21	1	119660-01562	GASKET	1							
22	1	119660-01570	STUD, M6X12	4							
23	1	119623-01950	SHIM SET, ADJUSTING	1							
30	1	194990-22050	NUT, M8	4							
31	1	26366-060002	NUT, M6	4							
32	1	129150-91400	GEAR	1							
34	2	24341-000240	O-RING, 1AS24.0	1							
35	1	26106-060162	BOLT, M6X 16 PLATED	2							
36	1	977770-01212	GASKET, LIQUID	1							1

Remarks

(1) OPTIONAL PART.

Fig.3. FLYWHEEL HOUSING & OIL SUMP

Y0005570
3TNE74-MB



(A)=3TNE74-MB
(B)=
(C)=

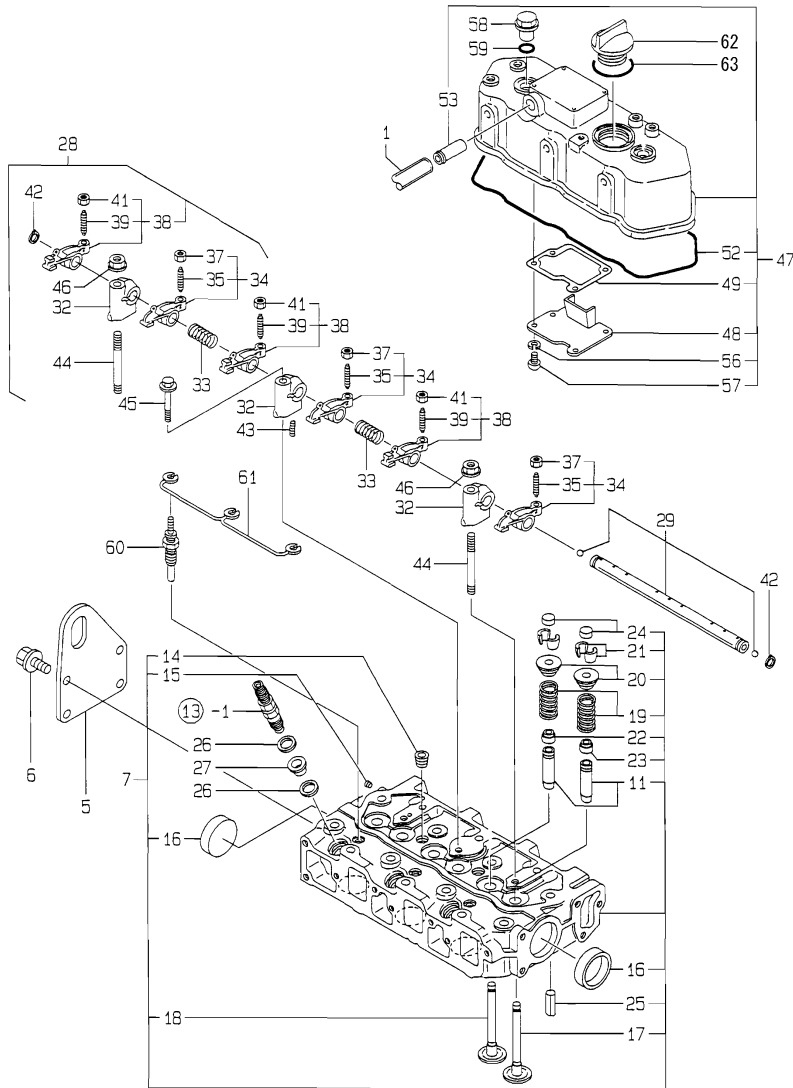
(D)=
(E)=
(F)=

No.	Lev.	Parts No.	Description	Q'ty						I	R
				(A)	(B)	(C)	(D)	(E)	(F)		
1	1	129100-01580	PIN, M8X16	2							
2	1	119600-01600	HOUSING, FLYWHEEL	1							
3	1	121120-01620	BOLT, M10X28	3							
4	1	119620-01750	CAP	1							
5	1	26206-100252	BOLT, M10X 25 PLATED	6							
6	1	119620-01620	PIN, M6X10	2							
7	1	119660-01640	CASE ASSY, OIL SEAL	1							
9	2	124085-02220	SEAL, OIL	1							
10	1	26106-060222	BOLT, M6X 22 PLATED	10							
11	1	119600-01722	SPACER, OIL SUMP	1							
13	1	719631-01540	SUMP ASSY, OIL	1							
14	2	119640-01640	PLUG, DRAIN M22	1							
16	2	22190-220002	WASHER, SEAL 22	1							
17	1	26106-060122	BOLT, M6X 12 PLATED	3							
18	1	26106-060452	BOLT, M6X 45 PLATED	20							
19	1	977770-01212	GASKET, LIQUID	1							1

Remarks
(1) OPTIONAL PART.

Fig.4. CYLINDER HEAD & BONNET

Y0005570
3TNE74-MB



(A)=3TNE74-MB
(B)=
(C)=

(D)=
(E)=
(F)=

No.	Lev.	Parts No.	Description	Q'ty						I	R
				(A)	(B)	(C)	(D)	(E)	(F)		
1	1	23065-120500	PIPE, 12X 500	1							
5	1	119632-07900	LIFTER	1							
6	1	26106-060122	BOLT, M6X 12 PLATED	4							
7	1	719623-11700	HEAD ASSY, CYLINDER	1							
11	2	119620-11801	GUIDE, VALVE	6							1
14	2	121850-11860	PLUG, PT1/4	2							
15	2	27221-050080	PLUG, 5X 8	1							
16	2	27241-400000	PLUG, 40	2							
17	2	119623-11100	VALVE, INTAKE	3							
18	2	119620-11110	VALVE, EXHAUST	3							
19	2	119620-11120	SPRING, VALVE	6							
20	2	119620-11180	RETAINER, SPRING	6							
21	2	27310-070001	COTTER, 7	6							
22	2	124160-11340	SEAL, VALVE STEM	3							
23	2	124950-11340	SEAL, VALVE STEM	3							
24	2	104211-11370	CAP, VALVE	6							
25	2	22351-060012	PIN, SPRING 6.0X12	2							
26	1	119600-11460	GASKET, NOZZLE	6							
27	1	119600-11450	PROTECTOR, NOZZLE	3							
28	1	119620-11200	SUPPORT ASSY, ARM	1							
29	2	119620-11240	SHAFT ASSY, ROCKER	1							
32	2	119620-11260	SUPPORT, ROCKER ARM	3							
33	2	119620-11280	SPRING	2							
34	2	719620-11650	ARM ASSY, ROCKER	3							
35	3	105010-11230	SCREW, VALVE ADJUST	3							
37	3	26756-060002	NUT, LOCK M6	3							
38	2	719620-11660	ARM ASSY, ROCKER	3							
39	3	105010-11230	SCREW, VALVE ADJUST	3							
41	3	26756-060002	NUT, LOCK M6	3							
42	2	22242-000120	RING, 12	2							
43	2	26979-050162	SCREW, M5X16	1							
44	1	119620-11350	STUD	2							
45	1	26106-080452	BOLT, M8X 45 PLATED	1							
46	1	26366-080002	NUT, M8	2							
47	1	119620-11330	BONNET ASSY, HEAD	1							
48	2	119620-03020	PLATE, SHELTER	1							
49	2	119620-03031	GASKET	1							
52	2	119620-11310	GASKET, BONNET	1							
53	2	119620-11390	JOINT	1							
56	2	22217-050000	WASHER, SPRING 5	4							
57	2	26557-050102	SCREW, M5X10	4							
58	1	124160-11360	KNOB	2							
59	1	24311-000120	O-RING, 1AP12.0	2							
60	1	129155-77801	PLUG, GLOW	3							
61	1	119620-77820	CONNECTOR, GLOW PLUG	1							
62	1	124160-01751	COVER, FILLER	1							
63	1	24311-000320	O-RING, 1AP32.0	1							

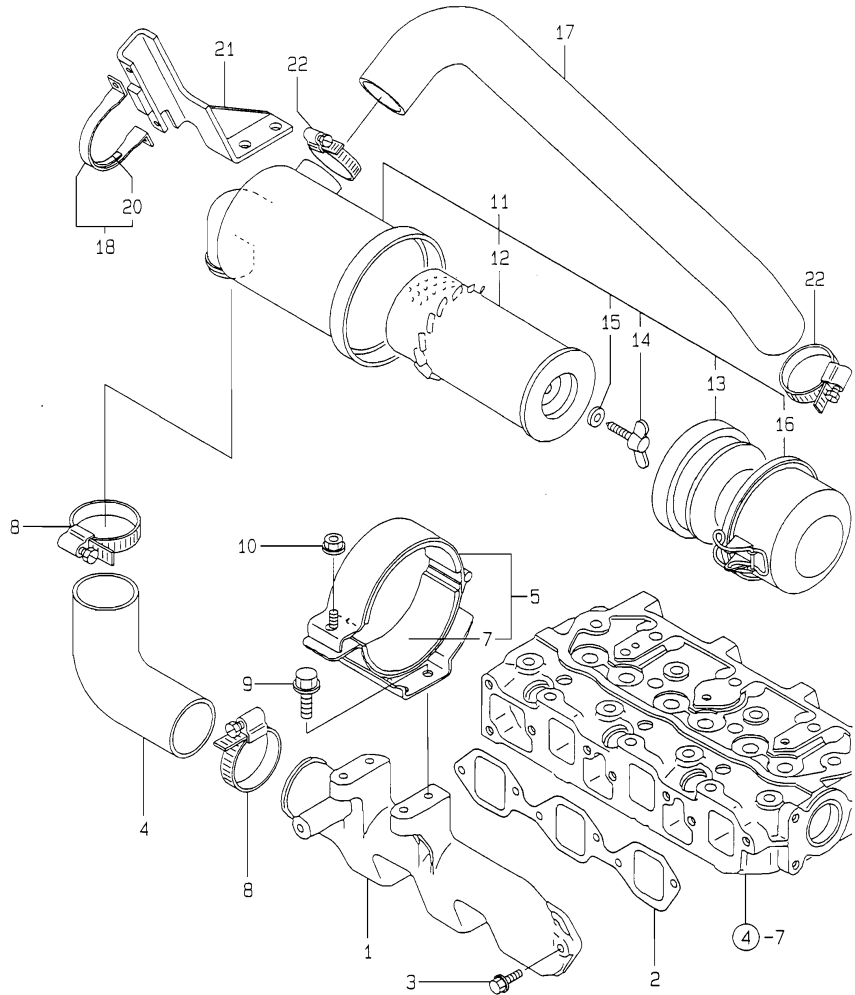
Remarks

(1) REPAIR PART.

N:Old $\begin{matrix} \text{Yes} \\ \text{No} \end{matrix}$ New, Q:Old $\begin{matrix} \text{No} \\ \text{Yes} \end{matrix}$ New, R:Old $\begin{matrix} \text{Yes} \\ \text{Yes} \end{matrix}$ New, S:Old $\begin{matrix} \text{No} \\ \text{No} \end{matrix}$ New, W:Add, Z:Discontinued, F:Interchangeable by set, K:Q'ty Change

Fig.5. SUCTION MANIFOLD & AIR CLEANER

Y00D5570
3TNE74-MB



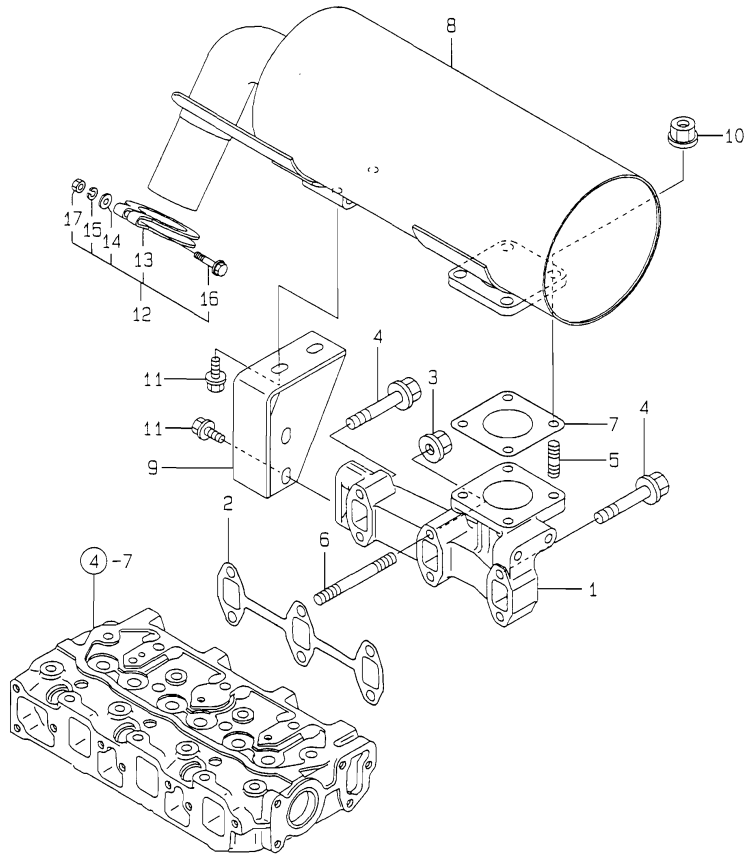
(A)=3TNE74-MB
(B)=
(C)=

(D)=
(E)=
(F)=

No.	Lev.	Parts No.	Description	Q'ty						I	R
				(A)	(B)	(C)	(D)	(E)	(F)		
1	1	119645-12100	MANIFOLD, AIR INTAKE	1							
2	1	119620-12111	GASKET, MANIFOLD	1							
3	1	26106-060202	BOLT, M6X 20 PLATED	6							
4	1	119632-12551	PIPE, AIR INTAKE	1							
5	1	119632-12590	SUPPORT ASSY,CLEANER	1							
7	2	119640-12580	SEAT, RUBBER	2							
8	1	23000-060000	CLAMP, 60	2							
9	1	26014-080202	BOLT, M8X 20	4							
10	1	26366-080002	NUT, M8	1							
11	1	119632-12510	CLEANER ASSY, AIR	1							
12	2	121465-12510	ELEMENT	1							
13	2	121024-12660	PAN ASSY, DUST	1							
14	2	124064-12680	BOLT	1							
15	2	124064-12690	WASHER	1							
16	2	121465-12700	RETAINER, ELEMENT	1							
17	1	119632-12211	PIPE, AIR INTAKE	1							
18	1	129132-12800	BAND, AIR CLEANER	1							
20	2	129132-12860	SEAT, RUBBER	1							
21	1	119632-12810	SUPPORT, AIR CLEANER	1							
22	1	23000-060000	CLAMP, 60	2							

Fig.6. EXHAUST MANIFOLD & SILENCER

Y0005570
3TNE74-MB



(A)=3TNE74-MB
(B)=
(C)=

(D)=
(E)=
(F)=

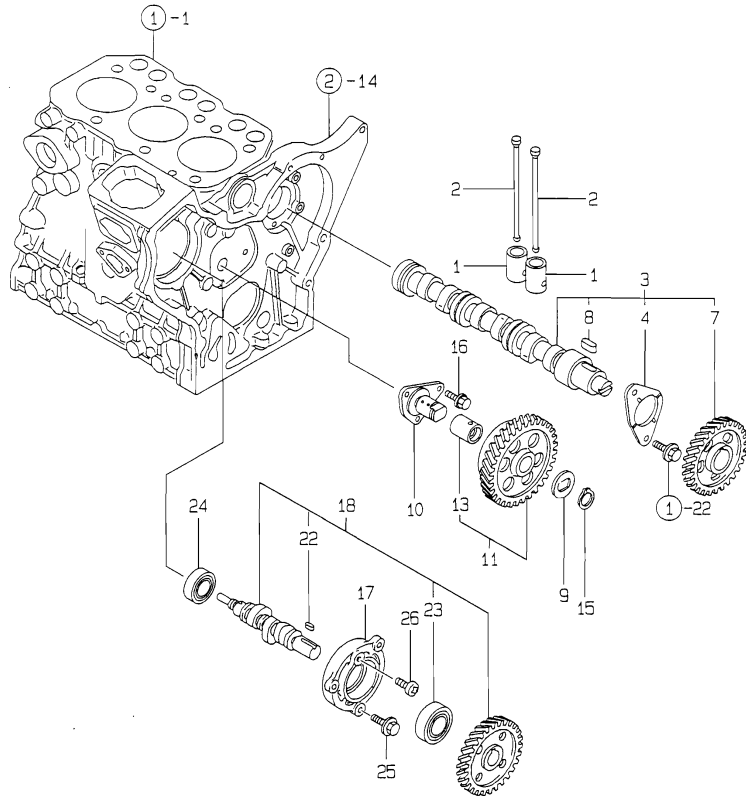
No.	Lev.	Parts No.	Description	Q'ty						I	R
				(A)	(B)	(C)	(D)	(E)	(F)		
1	1	119631-13101	MANIFOLD, EXHAUST	1							
2	1	119620-13110	GASKET	1							
3	1	194990-22050	NUT, M8	2							
4	1	26106-080402	BOLT, M8X 40 PLATED	4							
5	1	26216-080222	STUD, M8X 22	4							
6	1	26216-080552	STUD, M8X 55	2							
7	1	124701-11911	GASKET, SILENCER	1							
8	1	119632-13511	SILENCER	1							
9	1	119631-13650	STAY, SILENCER	1							
10	1	194990-22050	NUT, M8	4							
11	1	26014-080202	BOLT, M8X 20	4							
12	1	121120-13590	CLAMP	1							
13	2	121120-13580	CLAMP	1							
14	2	22137-100000	WASHER, 10	1							
15	2	22217-100000	WASHER, SPRING 10	1							
16	2	26106-100652	BOLT, M10X 65 PLATED	1							
17	2	26706-100002	NUT, M10	1							

Fig.7. CAMSHAFT & DRIVING GEAR

(A)=3TNE74-MB
(B)=
(C)=

(D)=
(E)=
(F)=

Y00D5570
3TNE74-MB



No.	Lev.	Parts No.	Description	Q'ty						I	R
				(A)	(B)	(C)	(D)	(E)	(F)		
1	1	119620-14200	TAPPET	6							
2	1	119620-14401	ROD, PUSH	6							
3	1	119629-14580	CAMSHAFT ASSY	1							
4	2	119620-02450	BEARING, THRUST	1							
7	2	119620-14100	GEAR, CAMSHAFT	1							
8	2	22512-040120	KEY, 4X 12	1							
9	1	119660-25022	RETAINER	1							
10	1	119660-25052	SHAFT, IDLE	1							
11	1	119620-25102	GEAR ASSY, IDLE	1							
13	2	119620-25912	BUSH	1							1
15	1	22242-000200	RING, 20	1							
16	1	26106-060122	BOLT, M6X 12 PLATED	3							
17	1	119660-01821	BEARING, FUEL CAM	1							
18	1	719660-14590	CAMSHAFT	1							
22	2	22512-040120	KEY, 4X 12	1							
23	2	24102-063034	BEARING, BALL 6303U	1							
24	1	24101-062034	BEARING, BALL 6203	1							
25	1	26106-060162	BOLT, M6X 16 PLATED	3							
26	1	26587-080102	SCREW, M8X10	1							

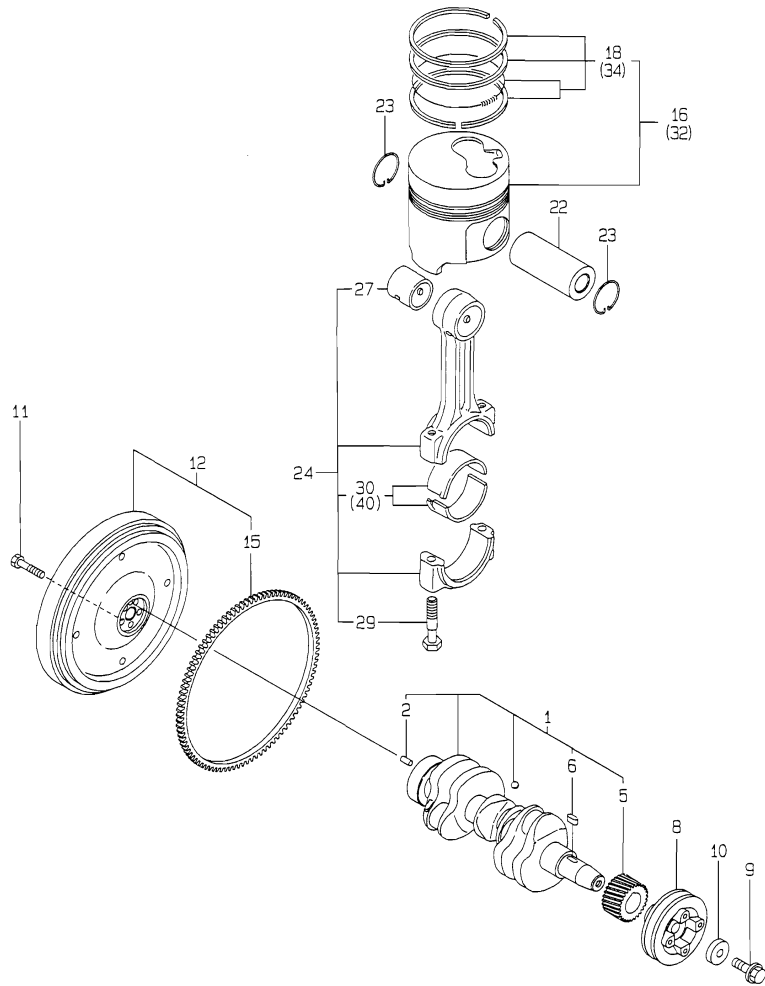
Remarks
(1) REPAIR PART.

Fig.8. CRANKSHAFT & PISTON

(A)=3TNE74-MB
(B)=
(C)=

(D)=
(E)=
(F)=

Y00D5570
3TNE74-MB



No.	Lev.	Parts No.	Description	Q'ty						I	R
				(A)	(B)	(C)	(D)	(E)	(F)		
1	1	119623-21700	CRANKSHAFT ASSY	1							
2	2	129100-01580	PIN, M8X16	1							
5	2	119644-21200	GEAR, CRANKSHAFT	1							
6	2	22512-040120	KEY, 4X 12	1							
8	1	119660-21651	V-PULLEY	1							
9	1	119621-21680	BOLT, FLANGE 12X1.25	1							
10	1	119620-21941	WASHER	1							
11	1	121111-21501	BOLT, FLYWHEEL	5							
12	1	119640-21590	FLYWHEEL ASSY	1							
15	2	119865-21600	GEAR, RING	1							
16	1	119623-22080	PISTON ASSY	3							
18	2	119623-22500	RING SET, PISTON	3							
22	1	114350-22301	PIN, PISTON D=21	3							
23	1	22252-000210	RING, 21	6							
24	1	719620-23100	ROD ASSY, CONNECTING	3							
27	2	119620-23910	BEARING, PISTON PIN	3							1
29	2	105225-23200	BOLT, CONNECTING ROD	6							
30	2	719620-23600	BEARING, CRANK PIN	3							
32	1	119623-22900	PISTON ASSY, 0.25 OS	3							2
34	2	119623-22950	RING SET, 0.25 OS	3							2
40	1	719620-23610	BEARING ASSY, 0.25	3							3

Remarks

- (1) REPAIR PART.
- (2) OVER-SIZE(O.S=0.25)PART.
- (3) UNDER-SIZE(U.S=0.25)PART.

Fig.9. LUB.OIL SYSTEM

Y0005570
3TNE74-MB

(A)=3TNE74-MB
(B)=
(C)=

(D)=
(E)=
(F)=

No.	Lev.	Parts No.	Description	Q'ty						I	R
				(A)	(B)	(C)	(D)	(E)	(F)		
1	1	119660-32001	PUMP ASSY, OIL	1							
11	1	119660-32020	GASKET, PUMP	1							
12	1	26450-060202	BOLT, M6X 20	3							
13	1	121520-34810	GUIDE, DIPSTICK	1							
14	1	119631-34800	DIPSTICK, OIL	1							
15	1	119660-35102	BRACKET, FILTER	1							
16	1	119660-35113	GASKET	1							
17	1	119305-35150	FILTER, OIL	1							
18	1	119660-35300	VALVE ASSY, CONTROL	1							
26	1	129150-35350	NUT	1							
27	1	24311-000160	O-RING, 1AP16.0	1							
28	1	26106-080202	BOLT, M8X 20 PLATED	3							
29	1	119600-35081	PIPE ASSY, OIL INLET	1							
30	1	24311-000120	O-RING, 1AP12.0	1							
31	1	26106-060102	BOLT, M6X 10 PLATED	2							
32	1	124160-39450	SWITCH, 0.5KG	1							

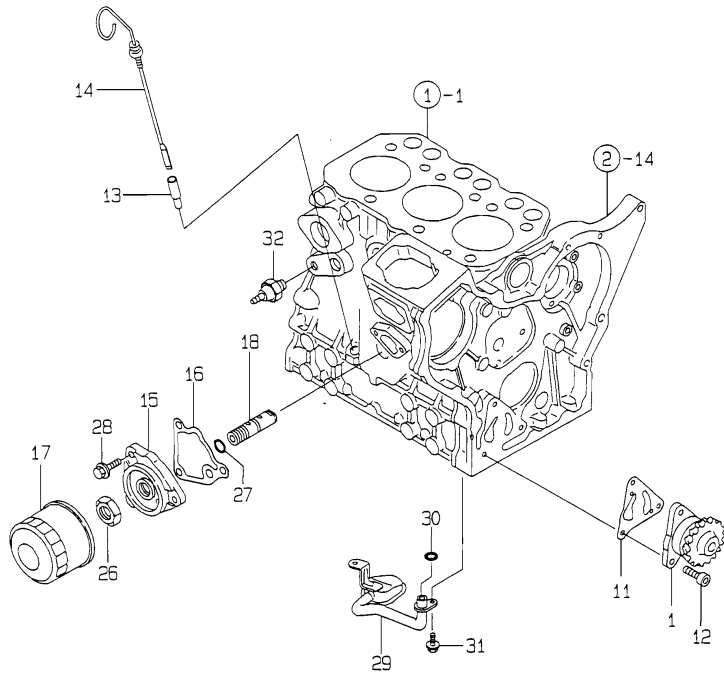


Fig.10. COOLING WATER SYSTEM

(A)=3TNE74-MB

(B)=

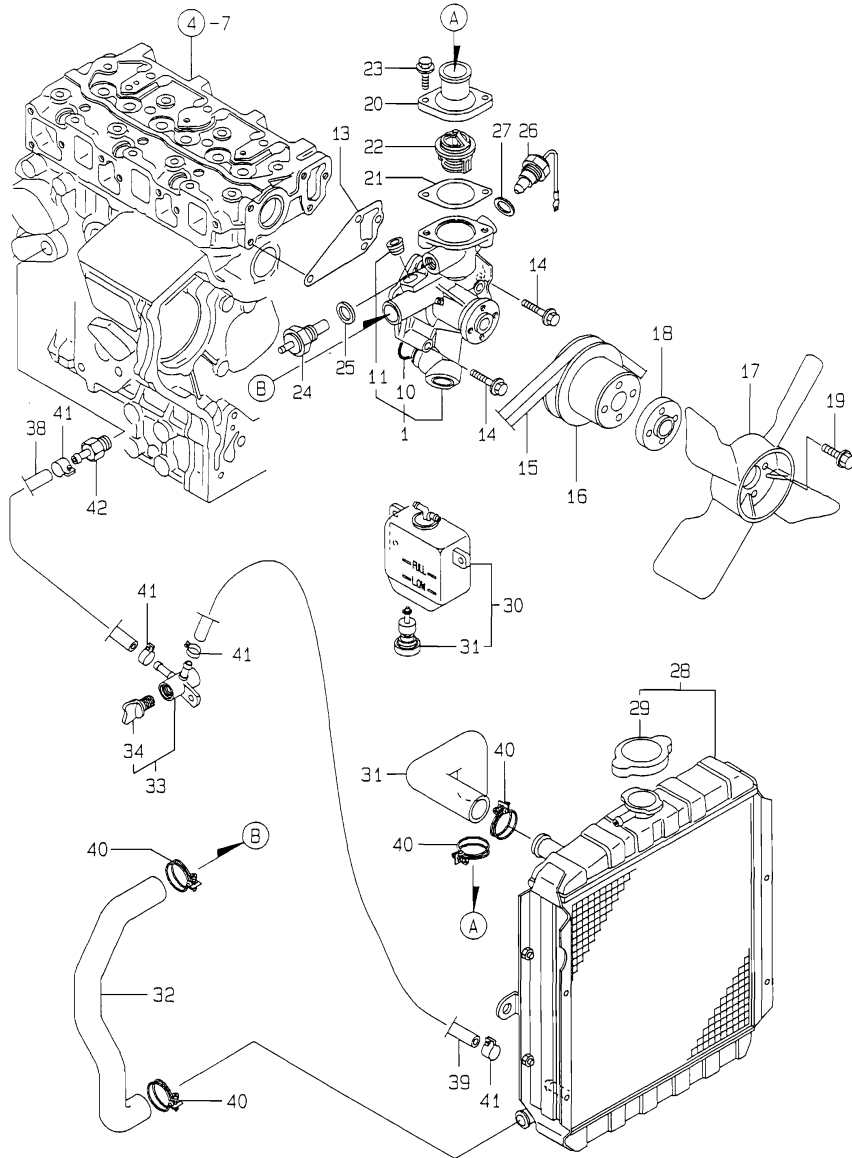
(C)=

(D)=

(E)=

(F)=

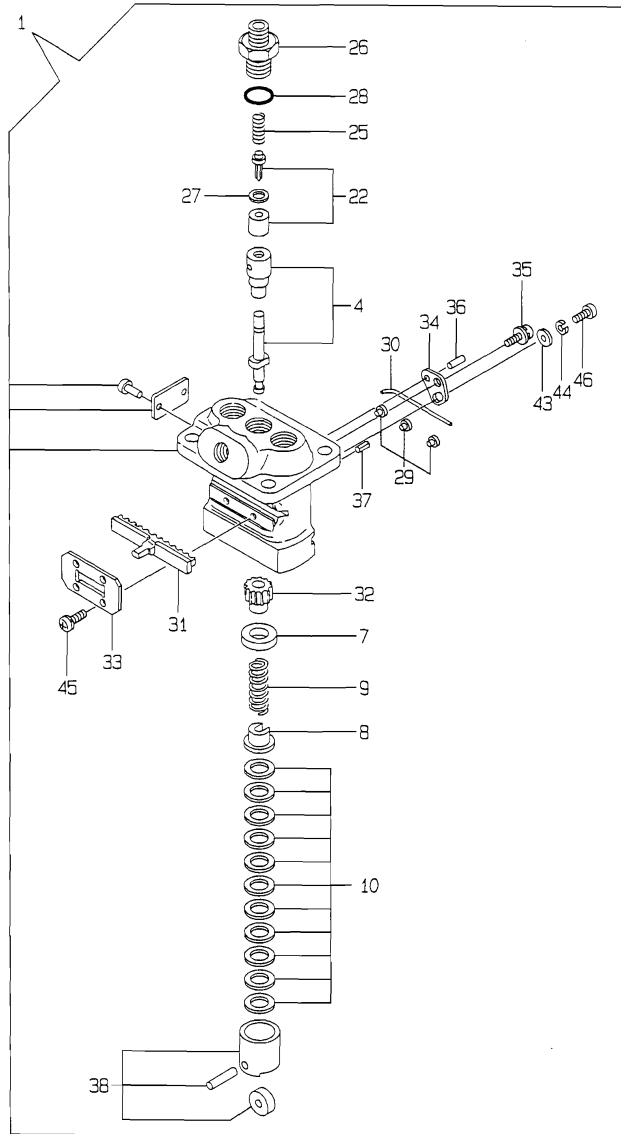
Y00D5570
3TNE74-MB



No.	Lev.	Parts No.	Description	Qty						I	R
				(A)	(B)	(C)	(D)	(E)	(F)		
1	1	119660-42004	PUMP ASSY, WATER	1							
10	2	119620-42320	O-RING	1							
11	2	23871-030000	PLUG, R03	1							
13	1	119620-42020	GASKET, WATER PUMP	1							
14	1	26106-080452	BOLT, M8X 45 PLATED	4							
15	1	119656-42291	V-BELT, 36	1							
16	1	119660-42350	V-PULLEY	1							
17	1	121450-44740	FAN, COOLING	1							
18	1	124574-44761	SPACER, FAN	1							
19	1	26014-060252	BOLT, M6X 25	4							
20	1	129350-49530	COVER, THERMOSTAT	1							
21	1	129350-49541	GASKET	1							
22	1	129350-49800	THERMOSTAT, 71	1							
23	1	26106-080202	BOLT, M8X 20 PLATED	2							
24	1	121250-44901	SWITCH, 110	1							
25	1	124465-44950	GASKET, 16	1							
26	1	119650-44900	SWITCH	1							
27	1	129150-49360	GASKET	1							
28	1	119600-44500	RADIATOR	1							
29	2	124450-44590	CAP, RADIATOR	1							
30	1	121468-44511	TANK ASSY, SUB	1							
31	2	121470-44550	SWITCH	1							
32	1	119688-49010	PIPE, WATER	1							
33	1	119632-49020	PIPE, WATER	1							
34	1	129150-49100	COCK ASSY, 3-WAY	1							
35	2	129150-49080	COCK, DRAIN	1							
39	1	121024-59090	PIPE, FUEL D12X450	1							
40	1	106800-59560	PIPE, FUEL	1							
41	1	23010-035000	CLAMP, 35	4							
42	1	124766-59050	CLIP, HOSE 12	4							
43	1	121550-49111	JOINT, PT1/4	1							

Fig.11. FUEL INJECTION PUMP

Y0005570
3TNE74-MB



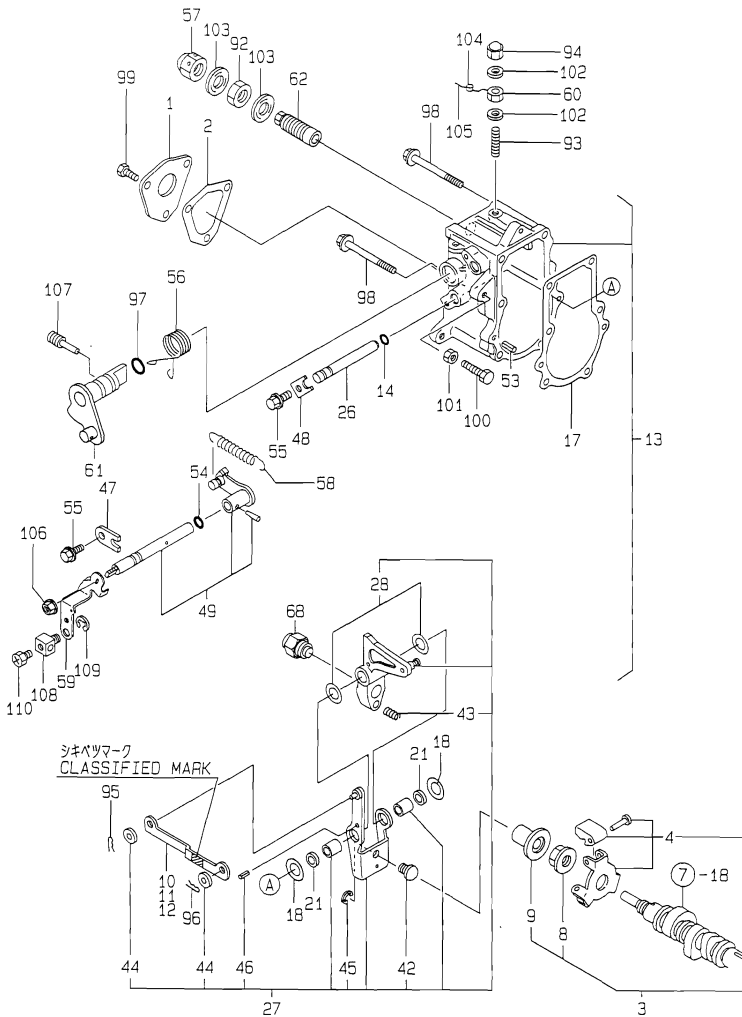
(A)=3TNE74-MB
(B)=
(C)=

(D)=
(E)=
(F)=

No.	Lev.	Parts No.	Description	Q'ty						I	R
				(A)	(B)	(C)	(D)	(E)	(F)		
1	1	719621-51100	PUMP ASSY, INJECTION	1							
4	2	119620-51101	PLUNGER ASSY	3							
7	2	119620-51170	RETAINER, SPRING A	3							
8	2	119620-51180	RETAINER, SPRING B	3							
9	2	119620-51190	SPRING, PLUNGER	3							
10	2	119620-51250	SHIM SET	3							
22	2	119620-51300	VALVE ASSY, DELIVERY	3							
25	2	105546-51330	SPRING, DELIVERY	3							
26	2	119620-51340	HOLDER, DELIVERY	3							
27	2	119620-51350	GASKET	3							
28	2	119620-51370	O-RING	3							
29	2	119620-51450	PIECE	3							
30	2	119620-51461	PIN	1							
31	2	119660-51500	RACK, CONTROL	1							
32	2	119620-51510	PINION	3							
33	2	119660-51530	RETAINER, RACK	1							
34	2	119620-51650	PLATE	2							
35	2	119620-51660	SCREW	2							
36	2	119620-51670	PIN	2							
37	2	119620-51680	PIN	1							
38	2	119620-51700	TAPPET ASSY	3							
43	2	22137-040000	WASHER, 4	2							
44	2	22217-040000	WASHER, SPRING 4	2							
45	2	26022-040082	SCREW, M4X 8	4							
46	2	26587-040102	SCREW, M4X10	2							

Fig.12. GOVERNOR

Y00D5570
3TNE74-MB



(A)=3TNE74-MB
(B)=
(C)=

(D)=
(E)=
(F)=

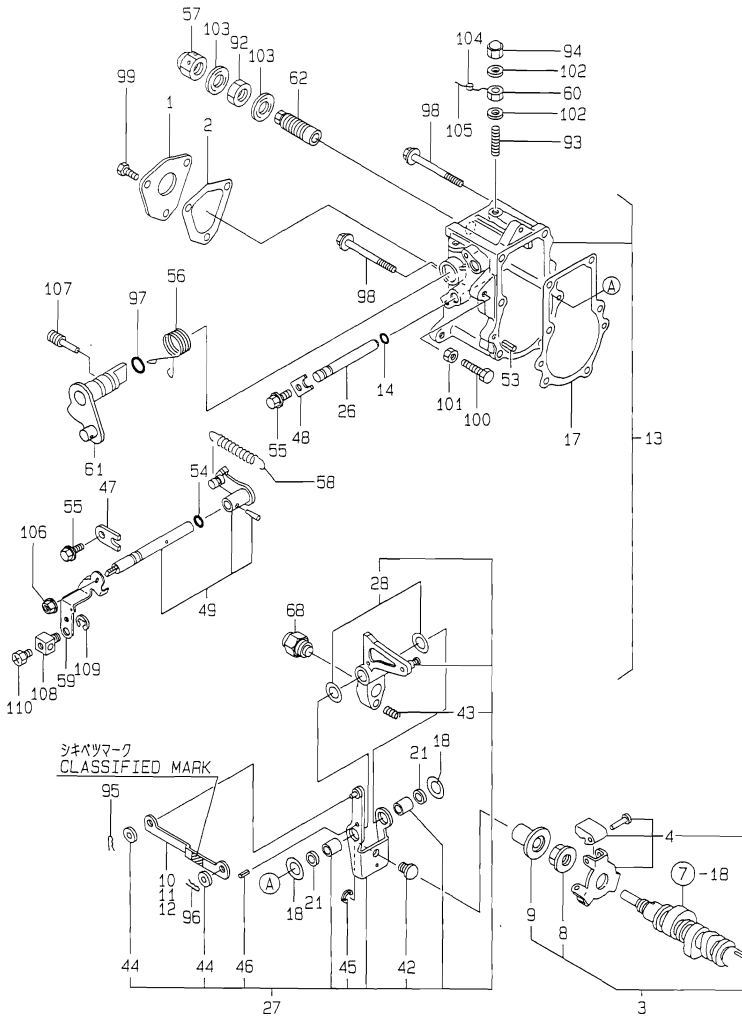
No.	Lev.	Parts No.	Description	Q'ty						I	R
				(A)	(B)	(C)	(D)	(E)	(F)		
1	1	119660-61060	COVER, GOVERNOR CASE	1							
2	1	119660-61071	GASKET	1							
3	1	119600-61100	DRIVE ASSY	1							
4	2	119600-61200	WEIGHT ASSY, GOVERNOR	1							
8	2	119660-61300	NUT	1							
9	2	119660-61341	SLEEVE	1							
10	1	119660-61121	LINK, NO MARK	1							1
11	1	119660-61140	LINK, MARK :2	1							1
12	1	119660-61150	LINK, MARK :3	1							1
13	1	119270-61200	CASE ASSY, GOVERNOR	1							
14	2	129155-51280	O-RING, S6	1							
17	2	119660-61052	GASKET	1							
18	2	119660-61460	SHIM SET	1							
21	2	129155-61480	SPACER ASSY	2							
26	2	119660-61491	SHAFT	1							
27	2	119600-61500	LEVER ASSY, GOVERNOR	1							
28	3	174307-51700	SHIM SET	2							
42	3	119600-61541	SHIFTER	1							
43	3	119600-61650	SPRING, STARTING	1							
44	3	22117-040000	WASHER, 4	2							
45	3	22272-000040	RING, E- 4	1							
46	3	22351-030014	PIN, SPRING 3.0X14	1							
47	2	119600-61900	RETAINER, SHAFT	1							
48	2	119660-61901	RETAINER, SHAFT	1							
49	2	119621-66091	SHAFT ASSY	1							
53	2	22351-040010	PIN, SPRING 4.0X10	2							
54	2	24341-000070	O-RING, 1AS7.0	1							
55	2	26106-060102	BOLT, M6X 10 PLATED	2							
56	1	119655-66680	SPRING, RETURN	1							
57	1	129100-61930	NUT, CAP	1							
58	1	119645-66020	SPRING, REGULATOR	1							
59	1	119640-66051	HANDLE, REGULATOR	1							
60	1	124550-66370	NUT, M6	1							
61	1	119230-66520	HANDLE, STOP	1							
62	1	119600-66530	LIMITER ASSY, FUEL	1							
68	1	119610-66700	ANGLEICH ASSY	1							
92	1	26776-120002	NUT, LOCK M12	1							
93	1	121575-66830	SCREW	1							
94	1	119600-66840	NUT, CAP	1							
95	1	22360-040000	PIN, SNAP 4	1							
96	1	22360-060000	PIN, SNAP 6	1							
97	1	24311-240100	O-RING, 1AP10A	1							
98	1	26106-060702	BOLT, M6X 70 PLATED	6							
99	1	26116-050102	BOLT, M5X 10 PLATED	3							
100	1	26116-060304	BOLT, M6X 30 PLATED	1							
101	1	26756-060002	NUT, LOCK M6	1							
102	1	22190-060003	SEAL WASER 6	2							
103	1	22190-120002	WASHER, SEAL 12	2							
104	1	135210-61090	LEAD	1							
105	1	22451-060000	WIRE, 0.6	1							
106	1	194990-22050	NUT, M8	1							

Remarks

(1) SELECTIVE PART: CERTAIN THE CLASSIFICATION MARK, THEN PLACE YOUR ORDER. (REFER TO ILLUSTRATION).

Fig.12. GOVERNOR

Y00D5570
3TNE74-MB



(A)=3TNE74-MB
(B)=
(C)=

(D)=
(E)=
(F)=

No.	Lev.	Parts No.	Description	Q'ty						I	R
				(A)	(B)	(C)	(D)	(E)	(F)		
107	1	124250-03640	SCREW	1							
108	1	124066-03770	RETAINER	1							
109	1	22272-000050	RING, E- 5	1							
110	1	26116-040088	BOLT, M4X 8 PLATED	1							

Remarks

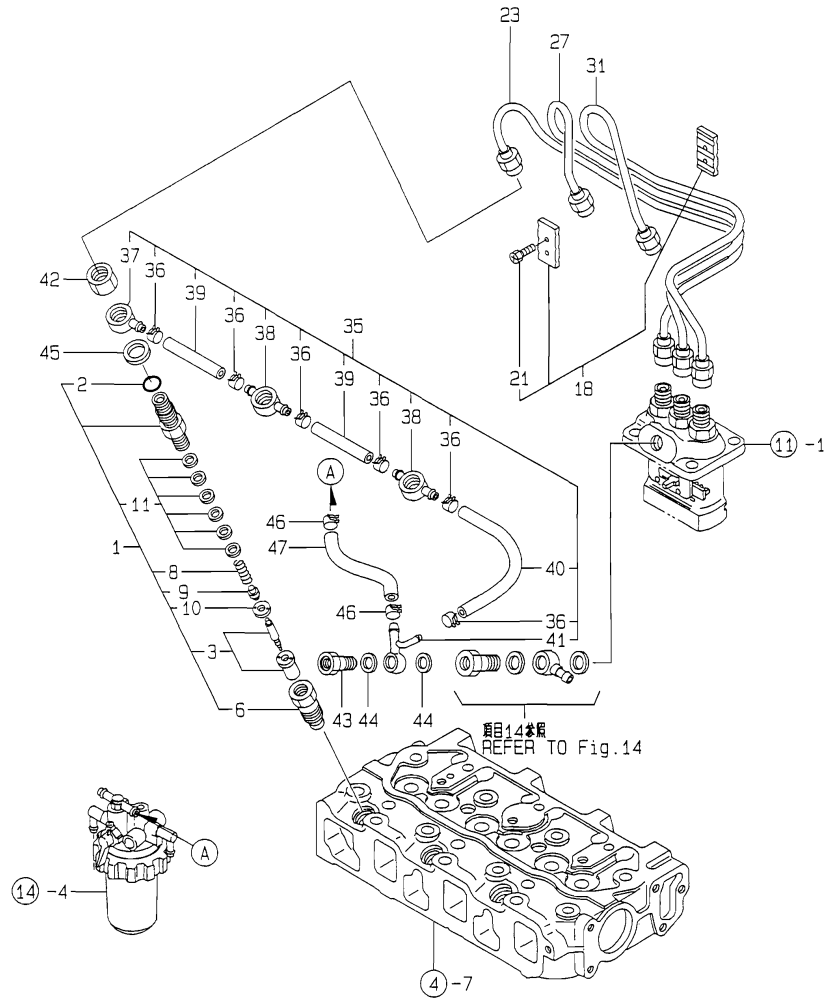
(1) SELECTIVE PART: CERTAIN THE CLASSIFICATION MARK, THEN PLACE YOUR ORDER. (REFER TO ILLUSTRATION).

Fig.13. FUEL INJECTION VALVE

Y00D5570
3TNE74-MB

(A)=3TNE74-MB
(B)=
(C)=

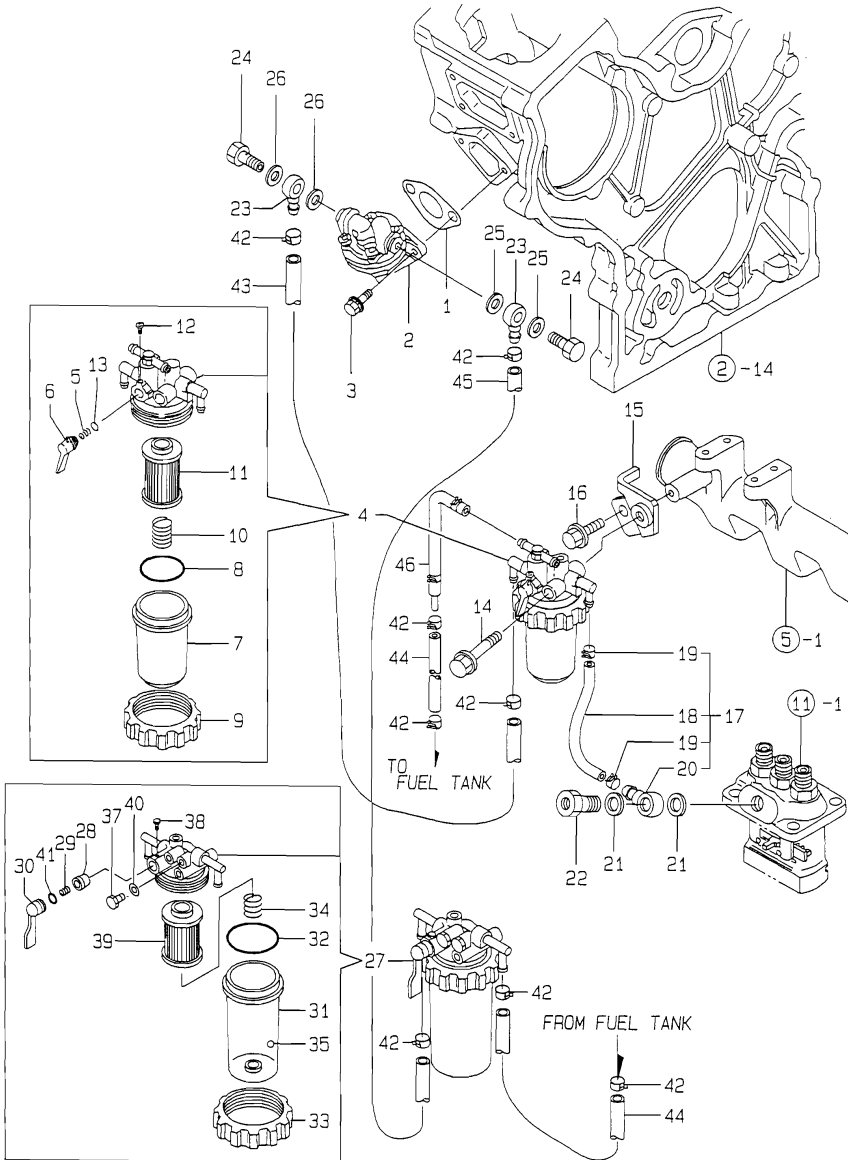
(D)=
(E)=
(F)=



No.	Lev.	Parts No.	Description	Q'ty						I	R
				(A)	(B)	(C)	(D)	(E)	(F)		
1	1	719620-53700	VALVE ASSY,INJECTION	3							
2	2	129155-61830	O-RING, S10	3							
3	2	119620-53000	VALVE ASSY,INJECTION	3							
6	2	119620-53080	NUT, NOZZLE	3							
8	2	119620-53120	SPRING, NOZZLE	3							
9	2	114250-53130	SEAT, SPRING	3							
10	2	119620-53140	SPACER, VALVE STOP	3							
11	2	114250-53400	SHIM SET	3							
18	1	129150-59120	RETAINER, PIPE	1							
21	2	129150-59131	BOLT, M4X14	2							
23	1	119620-59811	PIPE ASSY, INJECTION	1							
27	1	119620-59821	PIPE ASSY, INJECTION	1							
31	1	119620-59831	PIPE ASSY, INJECTION	1							
35	1	119642-59540	PIPE ASSY, RETURN	1							
36	2	124066-59100	CLIP, HOSE 8	6							
37	2	119260-59520	JOINT	1							
38	2	119260-59530	JOINT	2							
39	2	105025-59550	PIPE, FUEL RETURN	2							
40	2	119642-59550	PIPE, FUEL RETURN	1							
41	2	119642-59570	JOINT, OVER FLOW	1							
42	1	119620-59700	NUT, NOZZLE	3							
43	1	124550-59820	BOLT, PIPE JOINT M8	1							
44	1	23414-080012	GASKET, 8X1.0	2							
45	1	23414-140000	GASKET, 14X1.0	3							
46	1	124766-59050	CLIP, HOSE 12	2							
47	1	121250-59080	PIPE, FUEL D12X180	1							

Fig.14. FUEL LINE

Y0005570
3TNE74-MB



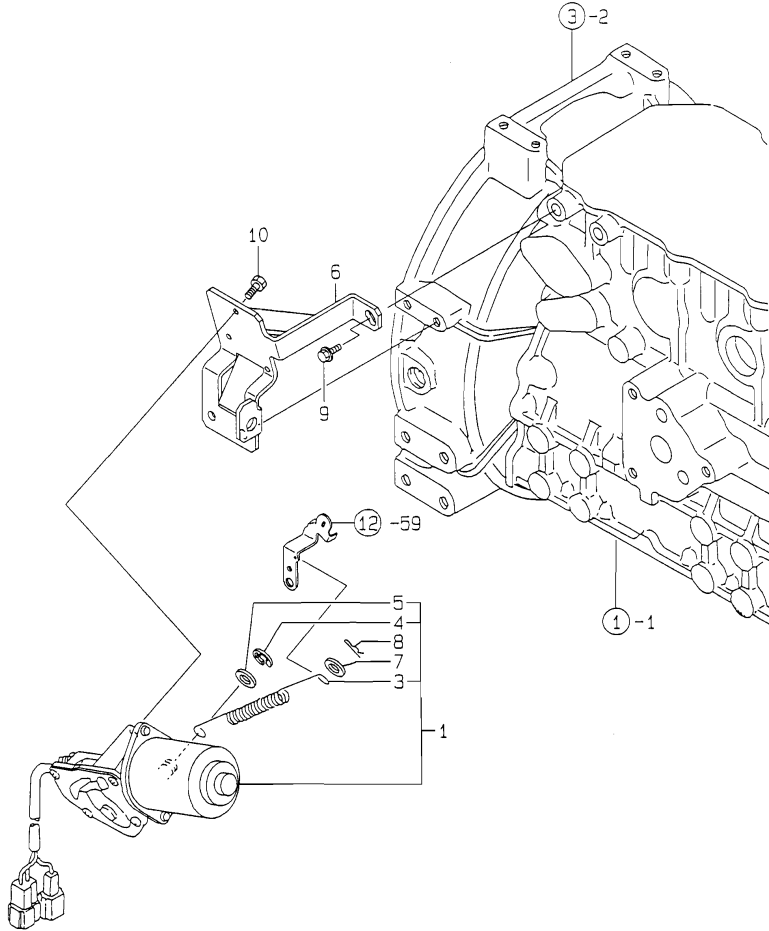
(A)=3TNE74-MB
(B)=
(C)=

(D)=
(E)=
(F)=

No.	Lev.	Parts No.	Description	Q'ty						I	R
				(A)	(B)	(C)	(D)	(E)	(F)		
1	1	121520-01851	GASKET	1							
2	1	119600-52021	PUMP ASSY, FUEL FEED	1							
3	1	26014-060202	BOLT, M6X 20	2							
4	1	119255-55620	FILTER ASSY, FUEL	1							
5	2	104200-55330	SPRING, VALVE	1							
6	2	119810-55340	LEVER	1							
7	2	121254-55510	COVER	1							
8	2	102103-55520	O-RING	1							
9	2	110250-55610	RING, RETAINING	1							
10	2	121250-55620	SPRING	1							
11	2	124550-55700	FILTER, FUEL L=90	1							
12	2	104200-55750	SCREW, M4	1							
13	2	24311-240100	O-RING, 1AP10A	1							
14	1	26014-080702	BOLT, M8X 70	1							
15	1	119632-55630	BRACKET, STRAINER	1							
16	1	26106-080142	BOLT, M8X 14 PLATED	1							
17	1	124767-59031	PIPE ASSY, FUEL	1							
18	2	101304-59020	JOINT, PIPE 12	1							
19	2	124766-59050	CLIP, HOSE 12	1							
20	2	124767-59080	PIPE, FUEL	1							
21	1	104200-59170	GASKET, 12	2							
22	1	119650-59200	BOLT, PIPE JOINT M12	1							
23	2	104264-59030	JOINT, PIPE 8	2							
24	1	105582-59150	BOLT, PIPE JOINT	2							
25	1	22190-080002	WASHER, SEAL 6	2							
26	1	22190-080002	WASHER, SEAL 6	2							
27	1	129335-55700	SEPARATOR ASSY, WATER	1							
28	2	104200-55321	VALVE, TAPER	1							
29	2	104200-55330	SPRING, VALVE	1							
30	2	104200-55341	HANDLE	1							
31	2	124064-55510	COVER	1							
32	2	102103-55520	O-RING	1							
33	2	110250-55610	RING, RETAINING	1							
34	2	121257-55720	SPRING	1							
35	2	121257-55731	FLOAT	1							
37	2	101720-55750	PLUG, 6	2							
38	2	104200-55750	SCREW, M4	1							
39	2	171081-55910	SCREEN	1							
40	2	23418-060000	GASKET, 6X1.0	2							
41	2	24311-240100	O-RING, 1AP10A	1							
42	1	124766-59050	CLIP, HOSE 12	8							
43	1	121024-59090	PIPE, FUEL D12X450	1							
44	1	121454-59090	PIPE, FUEL D12X700	2							
45	1	121522-59100	PIPE, FUEL D12X500	1							
46	1	119840-59601	BEND	1							

Fig.15. ENGINE STOP DEVICE

Y00D5570
3TNE74-MB



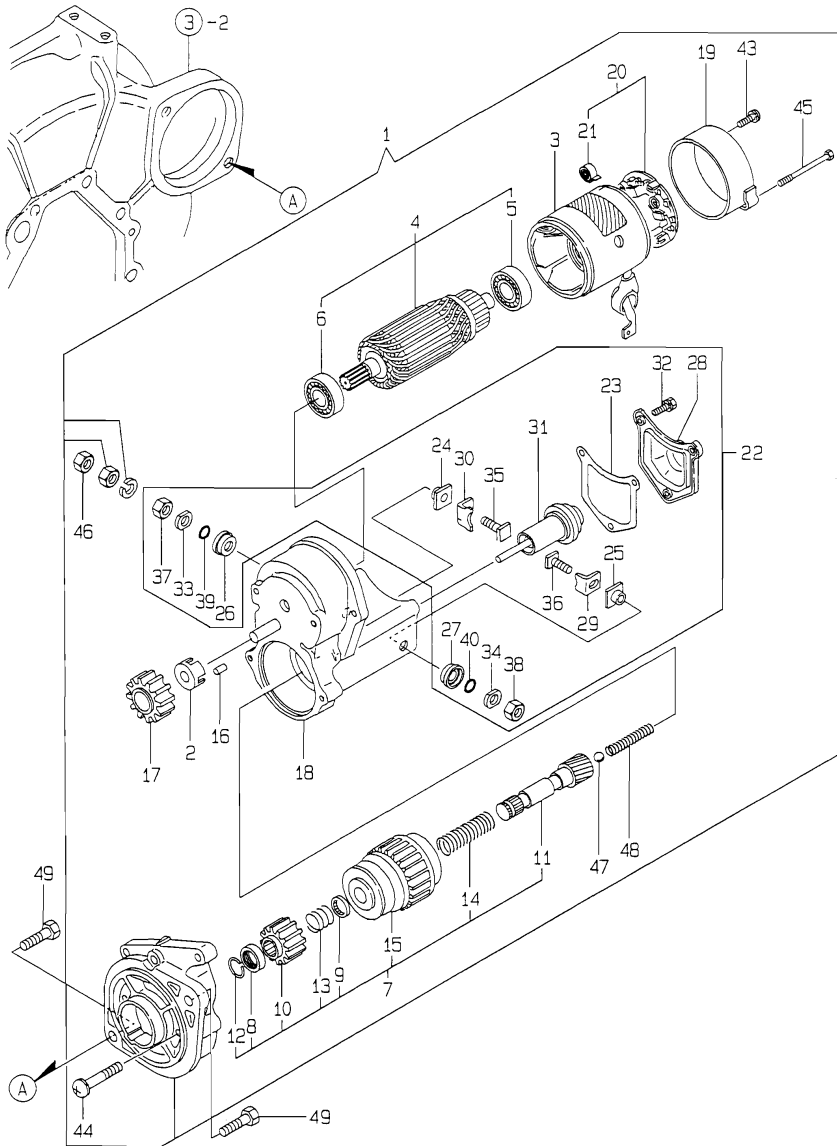
(A)=3TNE74-MB
(B)=
(C)=

(D)=
(E)=
(F)=

No.	Lev.	Parts No.	Description	Q'ty						I	R
				(A)	(B)	(C)	(D)	(E)	(F)		
1	1	119230-66791	MOTOR ASSY, STOP	1							
3	2	129555-66820	SPRING, STOP MOTOR	1							
4	2	129566-66880	RING, SNAP	1							
5	2	129566-66890	WASHER	1							
6	1	119640-66811	BRACKET, STOP MOTOR	1							
7	1	22117-080000	WASHER, 8	1							
8	1	22360-080000	SNAP PIN 8	1							
9	1	26106-080162	BOLT, M8X 16 PLATED	3							
10	1	26116-050102	BOLT, M5X 10 PLATED	3							

Fig.16. STARTING MOTOR

Y00D5570
3TNE74-MB



(A)=3TNE74-MB
(B)=
(C)=

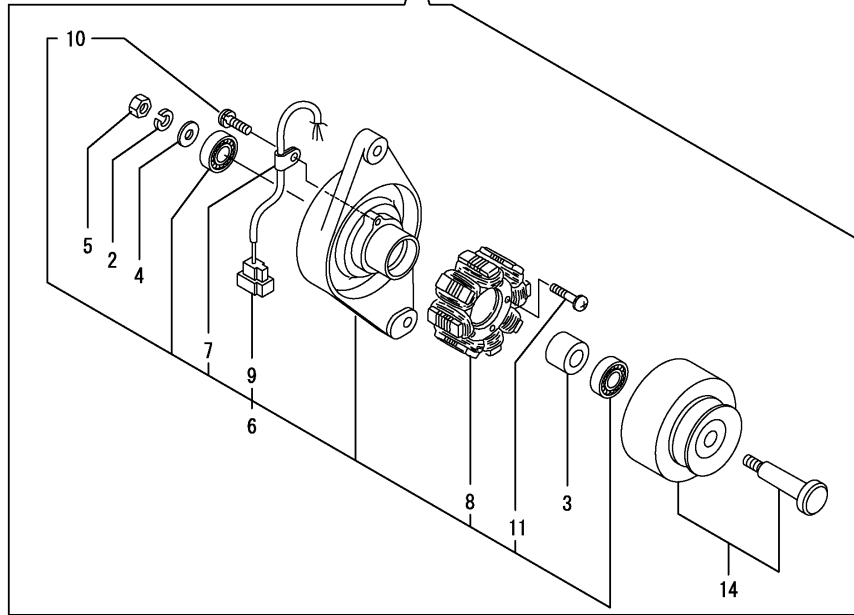
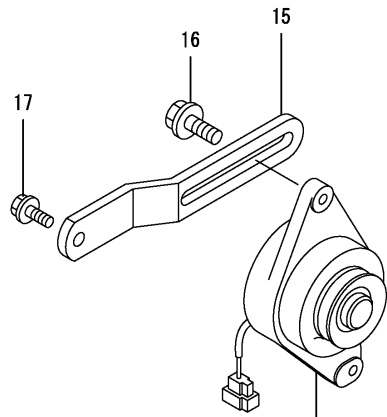
(D)=
(E)=
(F)=

No.	Lev.	Parts No.	Description	Q'ty						I	R
				(A)	(B)	(C)	(D)	(E)	(F)		
1	1	119620-77011	STARTER	1							
2	2	X0280630011	RETAINER	1							
3	2	X0281003751	YOKE ASSY	1							
4	2	X0282001531	ARMATURE ASSY	1							
5	3	X9491001360	BEARING	1							
6	3	X9491001860	BALL BEARING	1							
7	2	X0283005050	CLUTCH, STARTER	1							
8	3	X0280210230	NUT	1							
9	3	X0283270140	RETAINER	1							
10	3	X0283715030	PINION, STARTER	1							
11	3	X0283810040	SHAFT	1							
12	3	X9490721080	RING	1							
13	3	X9491703371	SPRING, COIL	1							
14	3	X9491704260	SPRING	1							
15	3	121120-77930	CASE ASSY, STARTER	1							
16	2	X0283060061	ROLLER	5							
17	2	X0283711420	PINION	1							
18	2	X0284004910	HOUSING, STARTER	1							
19	2	X0285040631	FRAME ASSY	1							
20	2	X0285100460	HOLDER ASSY, BRUSH	1							
21	3	X9491730461	SPRING	4							
22	2	X0534006460	SWITCH, MAGNETIC	1							
23	3	X0534040320	GASKET	1							
24	3	X0534490120	BUSH	1							
25	3	X0534490120	BUSH	1							
26	3	X0534490230	BUSH	1							
27	3	X0534490230	BUSH	1							
28	3	X0535050620	COVER	1							
29	3	X0535130241	PLATE (B)	1							
30	3	X0535130320	PLATE (A)	1							
31	3	X0536600401	PLUNGER	1							
32	3	X9151005141	BOLT W/WASHER	3							
33	3	X9490170900	WASHER	1							
34	3	X9490170900	WASHER	1							
35	3	X9490441303	BOLT	1							
36	3	X9490441312	BOLT	1							
37	3	X9490502820	NUT	1							
38	3	X9490502820	NUT	1							
39	3	X9491402100	O-RING	1							
40	3	X9491402100	O-RING	1							
43	2	X9490071810	SCREW W/WASHER	2							
44	2	X9490071970	SCREW W/WASHER	2							
45	2	X9490423330	BOLT W/WASHER	2							
46	2	X9490561370	NUT	1							
47	2	X9491200240	BALL	1							
48	2	X9491703380	SPRING	1							
49	1	26116-120252	BOLT, M12X 25 PLATED	2							

Fig.17. GENERATOR

(A)=3TNE74-MB
(B)=
(C)=

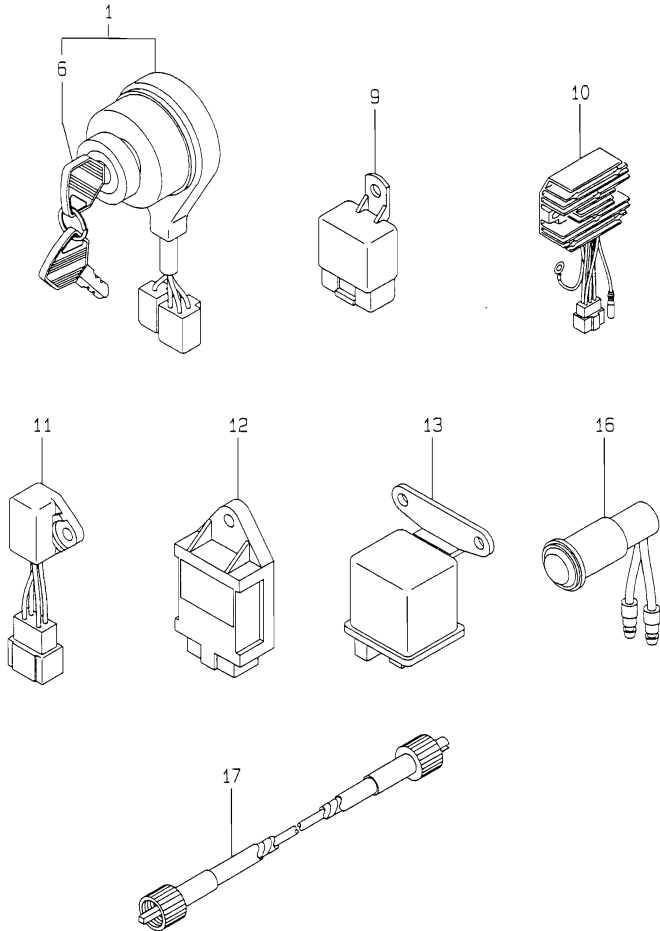
(D)=
(E)=
(F)=



No.	Lev.	Parts No.	Description	Q'ty						I	R
				(A)	(B)	(C)	(D)	(E)	(F)		
1	1	129150-77202	GENERATOR	1							
1-1	1	129150-77203	DINAMO ASSY	1							N
(A=EXXXXX)											
2	2	XM219230000	WASHER, SPRING	1							
3	2	XM329830000	COLLAR	1							
4	2	XM860250000	WASHER, 10	1							
5	2	XM863720000	NUT	1							
6	2	129150-77210	PLATE ASSY	1							
7	3	XM069000000	CLAMP	1							
8	3	XM081780000	STATOR	1							
9	3	XM178780000	COUPLER	1							
10	3	XYSPS400800	SCREW	1							
11	3	XYSPS402400	SCREW	2							
14	2	129150-77230	FLYWHEEL ASSY	1							
14-1	2	129150-77280	FLYWHEEL ASSY	1							N
(A=EXXXXX)											
15	1	119660-77330	ADJUSTER	1							
16	1	26014-080252	BOLT, M8X 25	1							
17	1	26106-080162	BOLT, M8X 16 PLATED	1							

Fig.18. ELECTRIC PART

Y00D5570
3TNE74-MB



(A)=3TNE74-MB
(B)=
(C)=

(D)=
(E)=
(F)=

No.	Lev.	Parts No.	Description	Q'ty						I	R
				(A)	(B)	(C)	(D)	(E)	(F)		
1	1	194940-52110	SWITCH, STARTING	1							
6	2	198360-52160	KEY ASSY	1							
9	1	119247-77100	RELAY, SAFETY	2							
10	1	119640-77711	LIMITER, CURRENT	1							
11	1	121522-77721	INDICATOR	1							
12	1	119650-77900	CONTROLLER	1							
13	1	119650-77910	RELAY ASSY, GLOW	1							
16	1	124770-91040	LAMP, PILOT 12V 3.4W	1							
17	1	124737-91420	CABLE, TACHOMETER	1							

Fig.19. SAFETY LABEL

(A)=3TNE74-MB
(B)=
(C)=

(D)=
(E)=
(F)=

Y00D5570
3TNE74-MB

No.	Lev.	Parts No.	Description	Q'ty						I	R
				(A)	(B)	(C)	(D)	(E)	(F)		
1	1	105250-07310	LABEL, RADIATOR	1							
2	1	129612-07310	LABEL	1							
3	1	105250-07320	LABEL,NO FIRE	1							
4	1	129612-07320	LABEL	1							
5	1	105250-07330	LABEL	1							
6	1	129612-07330	LABEL	1							
7	1	105250-07340	LABEL,EXH.GAS CAUTN	1							

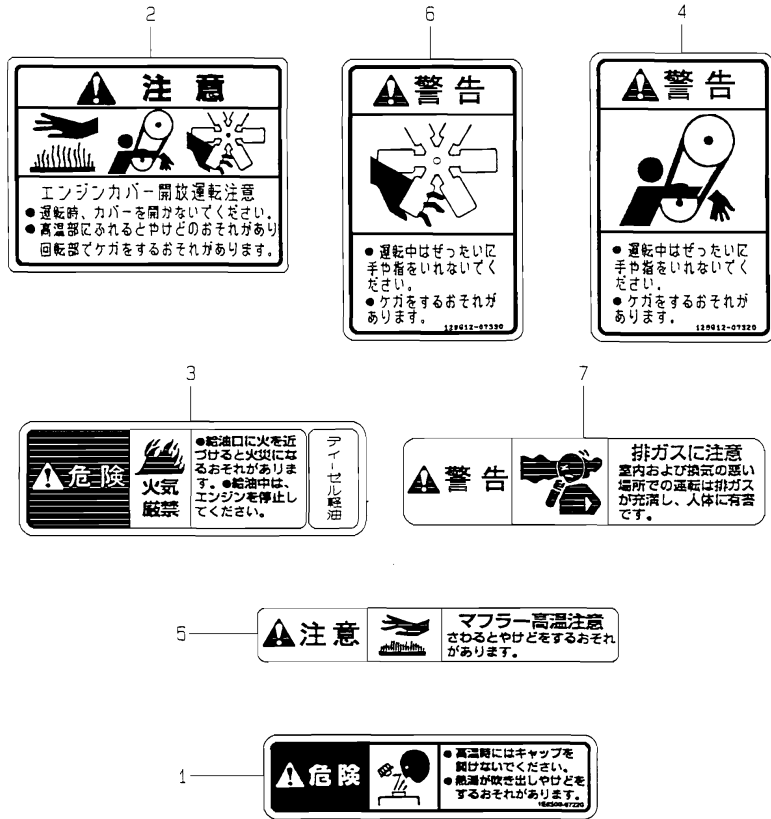
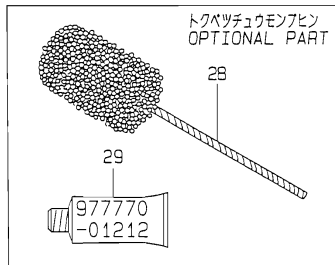
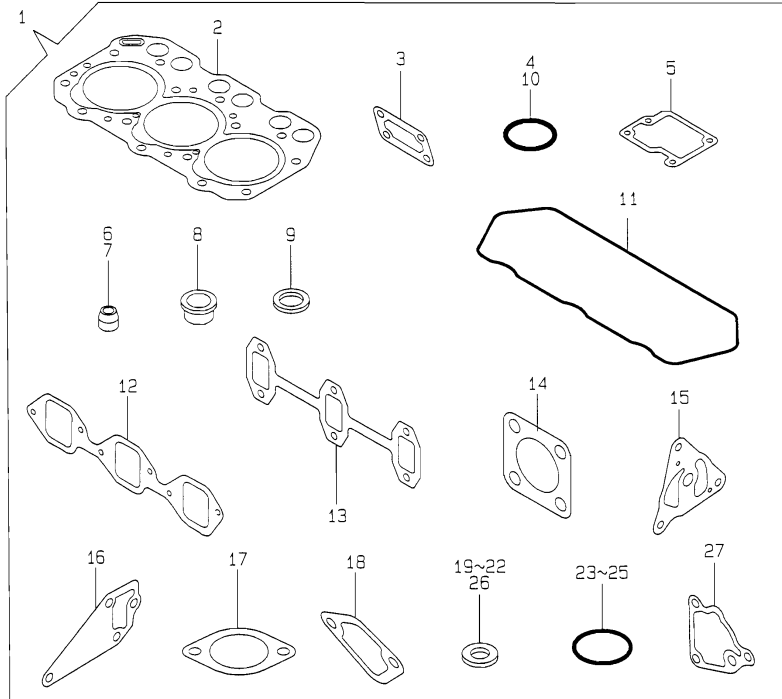


Fig.20. GASKET SET

(A)=3TNE74-MB
(B)=
(C)=

(D)=
(E)=
(F)=

Y0005570
3TNE74-MB



No.	Lev.	Parts No.	Description	Q'ty						I	R
				(A)	(B)	(C)	(D)	(E)	(F)		
1	1	719623-92640	GASKET SET	1							1
2	2	119623-01330	GASKET, HEAD	1							
3	2	119660-01562	GASKET	1							
4	2	24311-000320	O-RING, 1AP32.0	1							
5	2	119620-03031	GASKET	1							
6	2	124950-11340	SEAL, VALVE STEM	3							
7	2	124160-11340	SEAL, VALVE STEM	3							
8	2	119600-11450	PROTECTOR, NOZZLE	3							
9	2	119600-11460	GASKET, NOZZLE	6							
10	2	24311-000320	O-RING, 1AP32.0	1							
11	2	119620-11310	GASKET, BONNET	1							
12	2	119620-12111	GASKET, MANIFOLD	1							
13	2	119620-13110	GASKET	1							
14	2	124701-11911	GASKET, SILENCER	1							
15	2	119660-32020	GASKET, PUMP	1							
16	2	119620-42020	GASKET, WATER PUMP	1							
17	2	129350-49541	GASKET	1							
18	2	121520-01851	GASKET	1							
19	2	124465-44950	GASKET, 16	1							
20	2	104200-59170	GASKET, 12	2							
21	2	23414-140000	GASKET, 14X1.0	3							
22	2	22190-080002	WASHER, SEAL 6	4							
23	2	24311-000120	O-RING, 1AP12.0	4							
24	2	129155-61830	O-RING, S10	3							
25	2	24341-000240	O-RING, 1AS24.0	1							
26	2	22190-220002	WASHER, SEAL 22	1							
27	2	119660-35113	GASKET	1							
28	1	129400-92410	FLEX HORN	1							1
29	1	977770-01212	GASKET, LIQUID	1							1

Remarks
(1) OPTIONAL PART.

Parts No. Index

Parts No.	Fig. No.	Ref. No.
101304-59020	14	18
101720-55750	14	37
102103-55520	14	8
		32
104200-55321	14	28
104200-55330	14	5
		29
104200-55341	14	30
104200-55750	14	12
		38
104200-59170	14	21
	20	20
104211-11370	4	24
104264-59030	14	23
105010-11230	4	35
		39
105025-59550	13	39
105225-23200	8	29
105250-07310	19	1
105250-07320	19	3
105250-07330	19	5
105250-07340	19	7
105546-51330	11	25
105582-59150	14	24
106800-59560	10	40
110250-55610	14	9
		33
114250-53130	13	9
114250-53400	13	11
114350-22301	8	22
119230-66520	12	61
119230-66791	15	1
119247-77100	18	9
119255-55620	14	4
119260-59520	13	37
119260-59530	13	38
119270-61200	12	13
119305-35150	9	17
119600-01050	1	5
119600-01600	3	2
119600-01722	3	11
119600-11450	4	27
	20	8
119600-11460	4	26
	20	9
119600-35081	9	29
119600-44500	10	28
119600-52021	14	2
119600-61100	12	3
119600-61200	12	4

Parts No.	Fig. No.	Ref. No.
119600-61500	12	27
119600-61541	12	42
119600-61650	12	43
119600-61900	12	47
119600-66530	12	62
119600-66840	12	94
119610-01490	2	14
119610-01590	2	1
119610-66700	12	68
119620-01200	1	23
119620-01620	3	6
119620-01750	3	4
119620-01800	2	4
119620-02020	1	6
119620-02410	1	21
119620-02450	7	4
119620-03020	4	48
119620-03031	4	49
	20	5
119620-11110	4	18
119620-11120	4	19
119620-11180	4	20
119620-11200	4	28
119620-11240	4	29
119620-11260	4	32
119620-11280	4	33
119620-11310	4	52
	20	11
119620-11330	4	47
119620-11350	4	44
119620-11390	4	53
119620-11801	4	11
119620-12111	5	2
	20	12
119620-13110	6	2
	20	13
119620-14100	7	7
119620-14200	7	1
119620-14401	7	2
119620-21941	8	10
119620-23910	8	27
119620-25102	7	11
119620-25912	7	13
119620-42020	10	13
	20	16
119620-42320	10	10
119620-51101	11	4
119620-51170	11	7
119620-51180	11	8
119620-51190	11	9

Parts No.	Fig. No.	Ref. No.
119620-51250	11	10
119620-51300	11	22
119620-51340	11	26
119620-51350	11	27
119620-51370	11	28
119620-51450	11	29
119620-51461	11	30
119620-51510	11	32
119620-51650	11	34
119620-51660	11	35
119620-51670	11	36
119620-51680	11	37
119620-51700	11	38
119620-53000	13	3
119620-53080	13	6
119620-53120	13	8
119620-53140	13	10
119620-59700	13	42
119620-59811	13	23
119620-59821	13	27
119620-59831	13	31
119620-77011	16	1
119620-77820	4	61
119621-21680	8	9
119621-66091	12	49
119623-01330	1	24
	20	2
119623-01950	2	23
119623-11100	4	17
119623-21700	8	1
119623-22080	8	16
119623-22500	8	18
119623-22900	8	32
119623-22950	8	34
119629-14580	7	3
119631-13101	6	1
119631-13650	6	9
119631-34800	9	14
119632-07900	4	5
119632-12211	5	17
119632-12510	5	11
119632-12551	5	4
119632-12590	5	5
119632-12810	5	21
119632-13511	6	8
119632-49020	10	33
119632-55630	14	15
119640-01640	3	14
119640-12580	5	7
119640-21590	8	12

Parts No.	Fig. No.	Ref. No.
119640-66051	12	59
119640-66811	15	6
119640-77711	18	10
119642-59540	13	35
119642-59550	13	40
119642-59570	13	41
119644-21200	8	5
119645-12100	5	1
119645-66020	12	58
119650-44900	10	26
119650-59200	14	22
119650-77900	18	12
119650-77910	18	13
119655-66680	12	56
119656-42291	10	15
119660-01510	2	17
119660-01551	2	20
119660-01562	2	21
	20	3
119660-01570	2	22
119660-01640	3	7
119660-01821	7	17
119660-01911	2	5
119660-21651	8	8
119660-25022	7	9
119660-25052	7	10
119660-32001	9	1
119660-32020	9	11
	20	15
119660-35102	9	15
119660-35113	9	16
	20	27
119660-35300	9	18
119660-42004	10	1
119660-42350	10	16
119660-51500	11	31
119660-51530	11	33
119660-61052	12	17
119660-61060	12	1
119660-61071	12	2
119660-61121	12	10
119660-61140	12	11
119660-61150	12	12
119660-61300	12	8
119660-61341	12	9
119660-61460	12	18
119660-61491	12	26
119660-61901	12	48
119660-77330	17	15
119688-49010	10	32

Parts No. Index

Parts No.	Fig. No.	Ref. No.
119810-55340	14	6
119840-59601	14	46
119865-21600	8	15
121024-12660	5	13
121024-59090	10	39
	14	43
121111-21501	8	11
121120-01620	3	3
121120-13580	6	13
121120-13590	6	12
121120-77930	16	15
121250-44901	10	24
121250-55620	14	10
121250-59080	13	47
121254-55510	14	7
121257-55720	14	34
121257-55731	14	35
121450-01560	2	18
121450-44740	10	17
121454-59090	14	44
121465-12510	5	12
121465-12700	5	16
121468-44511	10	30
121470-44550	10	31
121520-01851	14	1
	20	18
121520-34810	9	13
121522-59100	14	45
121522-77721	18	11
121550-49111	10	43
121575-66830	12	93
121850-11860	4	14
124064-12680	5	14
124064-12690	5	15
124064-55510	14	31
124066-03770	12	108
124066-59100	13	36
124085-02220	3	9
124160-01751	2	12
	4	62
124160-11340	4	22
	20	7
124160-11360	4	58
124160-39450	9	32
124250-03640	12	107
124450-44590	10	29
124465-44950	10	25
	20	19
124550-55700	14	11
124550-59820	13	43

Parts No.	Fig. No.	Ref. No.
124550-66370	12	60
124574-44761	10	18
124701-11911	6	7
	20	14
124737-91420	18	17
124766-59050	10	42
	13	46
	14	19
		42
124767-59031	14	17
124767-59080	14	20
124770-91040	18	16
124950-11340	4	23
	20	6
129100-01580	3	1
	8	2
129100-61930	12	57
129132-12800	5	18
129132-12860	5	20
129150-35350	9	26
129150-49080	10	35
129150-49100	10	34
129150-49360	10	27
129150-59120	13	18
129150-59131	13	21
129150-77202	17	1
129150-77203	17	1 -1
129150-77210	17	6
129150-77230	17	14
129150-77280	17	14 -1
129150-91400	2	32
129155-51280	12	14
129155-61480	12	21
129155-61830	13	2
	20	24
129155-77801	4	60
129335-55700	14	27
129350-49530	10	20
129350-49541	10	21
	20	17
129350-49800	10	22
129400-92410	20	28
129555-66820	15	3
129566-66880	15	4
129566-66890	15	5
129612-07310	19	2
129612-07320	19	4
129612-07330	19	6
135210-61090	12	104
171081-55910	14	39

Parts No.	Fig. No.	Ref. No.
174307-51700	12	28
194940-52110	18	1
194990-22050	2	30
	6	3
		10
	12	106
198360-52160	18	6
22117-040000	12	44
22117-080000	15	7
22137-040000	11	43
22137-100000	6	14
22190-060003	12	102
22190-080002	14	25
		26
	20	22
22190-120002	12	103
22190-220002	3	16
	20	26
22217-040000	11	44
22217-050000	4	56
22217-100000	6	15
22242-000120	4	42
22242-000200	7	15
22252-000210	8	23
22272-000040	12	45
22272-000050	12	109
22351-030014	12	46
22351-040010	2	19
	12	53
22351-060012	4	25
22360-040000	12	95
22360-060000	12	96
22360-080000	15	8
22451-060000	12	105
22512-040120	7	8
		22
	8	6
23000-060000	5	8
		22
23010-035000	10	41
23065-120500	4	1
23414-080012	13	44
23414-140000	13	45
	20	21
23418-060000	14	40
23871-010000	1	11
23871-030000	10	11
24101-062034	7	24
24102-063034	7	23
24311-000120	2	6

Parts No.	Fig. No.	Ref. No.
24311-000120	4	59
	9	30
	20	23
24311-000160	9	27
24311-000320	2	13
	4	63
	20	4
		10
24311-240100	12	97
	14	13
		41
24341-000070	12	54
24341-000240	2	34
	20	25
26014-060202	14	3
26014-060252	10	19
26014-080202	5	9
	6	11
26014-080252	17	16
26014-080702	14	14
26022-040082	11	45
26106-060102	9	31
	12	55
26106-060122	1	22
	3	17
	4	6
	7	16
26106-060162	2	7
		35
	7	25
26106-060202	5	3
26106-060222	3	10
26106-060302	2	8
26106-060452	3	18
26106-060602	2	9
		10
26106-060702	12	98
26106-060802	2	11
26106-080142	14	16
26106-080162	15	9
	17	17
26106-080202	9	28
	10	23
26106-080402	6	4
26106-080452	4	45
	10	14
26106-100652	6	16
26116-040088	12	110
26116-050102	12	99
	15	10

Parts No. Index

Parts No.	Fig. No.	Ref. No.
26116-060304	12	100
26116-120252	16	49
26206-100252	3	5
26216-080222	6	5
26216-080552	6	6
26366-060002	2	31
26366-080002	4	46
	5	10
26450-060202	9	12
26557-050102	4	57
26587-040102	11	46
26587-080102	7	26
26706-100002	6	17
26756-060002	4	37
		41
	12	101
26776-120002	12	92
26979-050162	4	43
27221-050080	4	15
27231-450000	1	12
27241-120000	1	13
27241-300000	1	14
27241-400000	4	16
27310-070001	4	21
719620-02800	1	15
719620-02870	1	25
719620-02930	1	18
719620-11650	4	34
719620-11660	4	38
719620-23100	8	24
719620-23600	8	30
719620-23610	8	40
719620-53700	13	1
719621-51100	11	1
719623-01560	1	1
719623-11700	4	7
719623-92640	20	1
719631-01540	3	13
719660-14590	7	18
977770-01212	2	36
	3	19
	20	29
X0280210230	16	8
X0280630011	16	2
X0281003751	16	3
X0282001531	16	4
X0283005050	16	7
X0283060061	16	16
X0283270140	16	9
X0283711420	16	17

Parts No.	Fig. No.	Ref. No.
X0283715030	16	10
X0283810040	16	11
X0284004910	16	18
X0285040631	16	19
X0285100460	16	20
X0534006460	16	22
X0534040320	16	23
X0534490120	16	24
		25
X0534490230	16	26
		27
X0535050620	16	28
X0535130241	16	29
X0535130320	16	30
X0536600401	16	31
X9151005141	16	32
X9490071810	16	43
X9490071970	16	44
X9490170900	16	33
		34
X9490423330	16	45
X9490441303	16	35
X9490441312	16	36
X9490502820	16	37
		38
X9490561370	16	46
X9490721080	16	12
X9491001360	16	5
X9491001860	16	6
X9491200240	16	47
X9491402100	16	39
		40
X9491703371	16	13
X9491703380	16	48
X9491704260	16	14
X9491730461	16	21
XM069000000	17	7
XM081780000	17	8
XM178780000	17	9
XM219230000	17	2
XM329830000	17	3
XM860250000	17	4
XM863720000	17	5
XYSPS400800	17	10
XYSPS402400	17	11

Parts No.	Fig. No.	Ref. No.
-----------	----------	----------

Parts No.	Fig. No.	Ref. No.
-----------	----------	----------