

0CD10-M55401EN

PREFACE

1. This Parts Catalog is the 1st edition of L60(A)DEGHA Diesel Engine for HAYASHI.

Pub. No. : 000Y00D5541

Published : August, 1995

2. Model name

Engine model	Vehicle		Vehicle made by
	Products	Model name	
L60(A)DEGHA	GENERATOR	—	HAYASHI

Directions for the Parts Catalog.

1. The parts stipulated in this Parts Catalog are not necessarily standard equipped parts.
2. Parts may change without prior notice.
3. The following is an example of the Parts Catalog format.

REF.	LEV.	PARTS NO.	DESCRIPTION	Q'TY						I	R
				(A)	(B)	(C)	(D)	(E)	(F)		
1	1	729595-51390	FUEL INJECTION PUMP	1	1	1	1	1			1
1-1	1	729595-51391	FUEL INJECTION PUMP	1	1	1	1	1		N	1
		(A=E00185) (B=E00200)									
3	2	26022-060162	SCREW M 6X 16	9	9	9	9	9			
3-1	2	26022-060162	SCREW M 6X 16	4	4	4	4	4		K	
		(A=E00156) (B=E00156) (C=E00156) (D=E00156) (E=E00156)									
4	2	129470-51040	CAMSHAFT	1	1	1	1	1			
5	2	122710-51050	BEARING, ROLLER	2	2	2	2	2			
6	2	129470-51060	RETAINER	1	1	1	1	1			

Remarks
(1) BOOST COMPEMSATOR TYPE. OPTIONAL PART, TO E00155,(4JH-DT, 4JH-DTZ

① Ref. No.

The Ref. No. listed may not be in accordance with the illustration Ref. No.

(Ex.) Illustration No.

List Ref No.

1

1

(Before change)

1-1

(After change)

For interchangeable symbols N, R and K, illustrations for new parts may be abbreviated.

② Lev. (Level)

Level indication

The numbers below indicate the level of relativity towards the main part.

1 ----- Main parts (Assembly parts)

2 ----- Sub component included in " 1 ".

3 ----- Sub component included in " 2 ".

Note) Parts that are not for sale are partially illustrated but not listed.

③ Interchangeability Mark

When a part change takes place, one of the following interchangeability symbols is indicated beside the part.

Symbol	Interchangeability	Contents note
N	Old $\begin{matrix} \leftarrow \text{Yes} \\ \text{No} \rightarrow \end{matrix}$ New	New Part is interchangeable for Old Part but Old Part is not interchangeable for New Part.
Q	Old $\begin{matrix} \leftarrow \text{No} \\ \text{Yes} \rightarrow \end{matrix}$ New	New Part is not interchangeable for Old Part but Old Part is interchangeable for New Part.
R	Old $\begin{matrix} \leftarrow \text{Yes} \\ \text{Yes} \rightarrow \end{matrix}$ New	New/ Old Parts are both interchangeable.
S	Old $\begin{matrix} \leftarrow \text{No} \\ \text{No} \rightarrow \end{matrix}$ New	New/ Old Parts are both not interchangeable.
W		Part newly added.
Z		Part discontinued.
F		Not interchangeable by a single part but interchangeable together with related parts.
K		Changes only for used parts quantities.

④ Effective Machine No.

When a part changes, the effective Machine No. will be indicated in the (A)-(F) column.

Product Symbol	Product No.	Product Symbol	Product No.
C	Clutch No. Compressor No.	F	Machine No. (Agricultural Equip.)
D	Drive No.	M	Machine No.
E	Engine No.		

Note 1) A date may follow the symbol. (Ex.) 1996.01

Note 2) " XXXXX " and " ZZZZZ " are for parts that could not be predicted or for engine models that could not be identified.

Note 3) (A=E00185) is the E (Engine Serial Number) for the column (A) model (in this case 4JH-DT) after the parts design change.

⑤ Remarks Mark

Figures or alphabets (symbols) are entered in the remarks column.

The comments (remarks) on parts that are indicated at the bottom of the illustration are the same symbols as those stated above.

Contents

Fig. No. Fig. Name

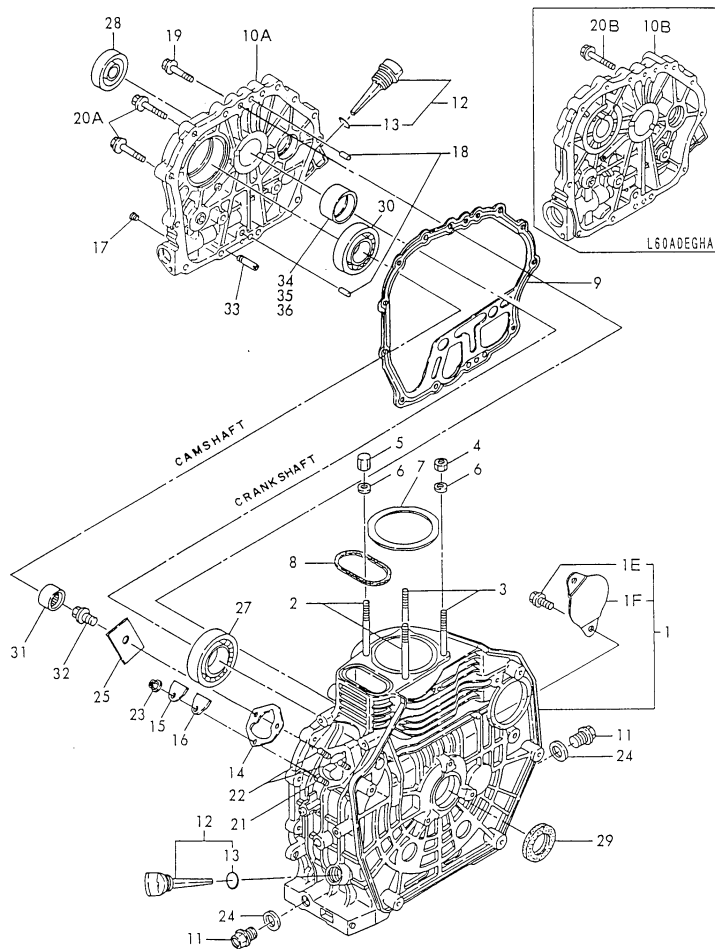
ENGINE L60(A)DEGHA

1. CYLINDER BLOCK
2. CRANK, ROD & PISTON
3. CYLINDER HEAD
4. AIR CLEANER & MUFFLER
5. LUB.OIL & GOVERNOR
6. STARTING & CONTROL
7. FUEL INJECTION DEVICE
8. FUEL TANK & PIPE
9. STARTING MOTOR & DYNAMO
10. LABELS,TOOLS & GASKET SET

Fig. No. Fig. Name

Fig.1. CYLINDER BLOCK

YU005541



Remarks
 (2) UNDER-SIZED PART.
 (3) REPAIR PART.
 (G) THESE PARTS ARE SOLD BY FIG.10,
 REF.NO.23,23-1.

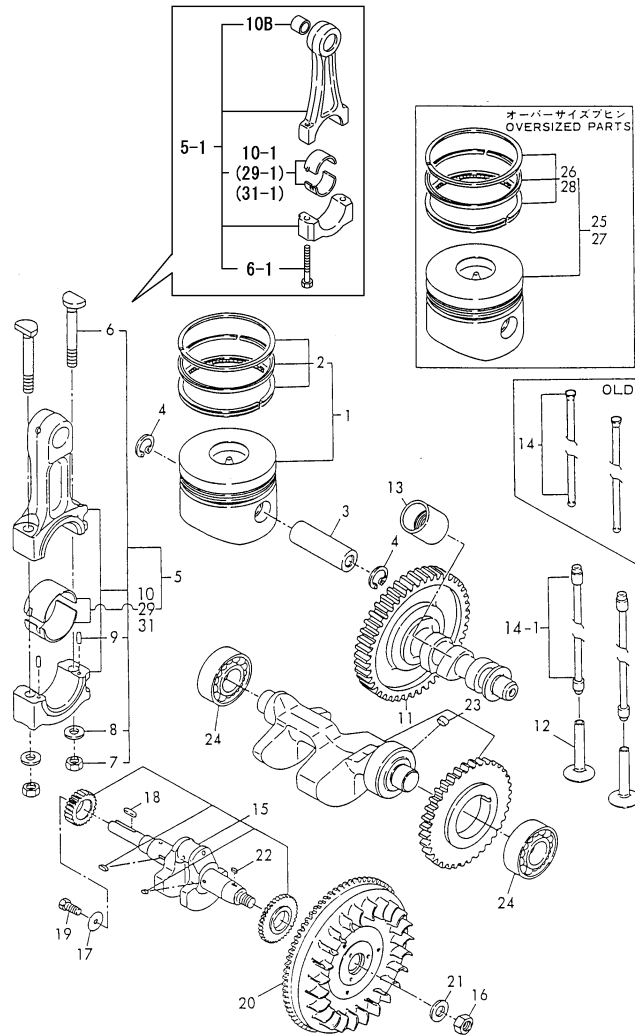
(A)=L60DEGHA
 (B)=L60ADEGHA
 (C)=

(D)=
 (E)=
 (F)=

No.	Lev.	Parts No.	Description	Q'ty						I	R
				(A)	(B)	(C)	(D)	(E)	(F)		
1A	1	714351-01564	BLOCK ASSY, CYLINDER	1							
1B	1	713471-01560	BLOCK ASSY, CYLINDER		1						
1E	2	114350-01700	COVER	1	1						
1F	2	26106-100122	BOLT, M10X 12 PLATED	2	2						
2	1	114350-01200	BOLT, HEAD	2	2						
3	1	114350-01210	BOLT, HEAD	2	2						
4	1	114350-01220	NUT, CYLINDER HEAD	2	2						
5	1	114350-01250	NUT, CYLINDER HEAD	2	2						
6	1	105225-01240	WASHER	4	4						
7	1	114350-01340	GASKET, HEAD	1	1						G
8	1	114350-01380	O-RING	1	1						G
9	1	114350-01411	GASKET, CRANK CASE	1							1
9-1	1	114350-01412	GASKET, CRANK CASE	1	1						N G
(A=58254)											
10A	1	114360-01452	COVER, CRANK CASE	1							1
10A-1	1	114360-01453	COVER, CRANK CASE	1							S
(A=58254)											
10B	1	114360-01454	COVER, CRANK CASE		1						
11	1	105425-01690	PLUG, 16	2	2						
12	1	160910-01740	CAP ASSY	2	2						
13	2	24311-000180	O-RING, 1AP18.0	2	2						G
14	1	114250-01800	SHIM SET	1	1						
15	1	114250-01830	COVER	1	1						
16	1	114250-01840	GASKET	1	1						G
17	1	23871-010000	PLUG, R01	1	1						
18	1	22312-080120	PIN, PARALLEL M8X12	2							
18-1	1	114270-01600	PIN, M8X12	2	2						R
(A=*1994.02)											
19	1	26106-060352	BOLT, M6X 35 PLATED	13							
20A	1	26106-080352	BOLT, M8X 35 PLATED	2							
20B	1	26106-080352	BOLT, M8X 35 PLATED		15						
21	1	26226-060182	STUD, M6X 18	1	1						
22	1	26226-060222	STUD, M6X 22	2	2						
23	1	26366-060002	NUT, M6	3	3						
24	1	43400-500490	SEAL WASHER 16S	2							G
24-1	1	22190-160002	WASHER, SEAL 16	2	2						N G
(A=EXXX)											
25	1	114250-02030	RETAINER, BEARING	1	1						
27	1	114350-02113	BEARING, B35-135G3C3	1	1						
28	1	160110-02220	SEAL, OIL	1	1						
29	1	160110-02220	SEAL, OIL	1	1						
30	1	24101-062060	BEARING, BALL 6206C3	1							
31	1	24162-152112	BEARING, 152112	1	1						
32	1	26106-080122	BOLT, M8X 12 PLATED	1	1						
33	1	114250-35150	PIPE, OIL INLET	1	1						W
(A=*1988.07)											
34	1	114350-02200	BEARING, 0.25 US	1	1						2
35	1	114350-02210	BEARING, 0.50 US	1	1						2
36	1	114350-02100	BEARING, MAIN	1	1						3

Fig.2. CRANK, ROD & PISTON

1UUU5541



Remarks
 (1) OVER-SIZED PART.
 (2) UNDER-SIZED PART.
 (3) REF.NO.5-1,15A-1,15B-1 & 23B-1
 INTERCHANGEABLE BY SET.

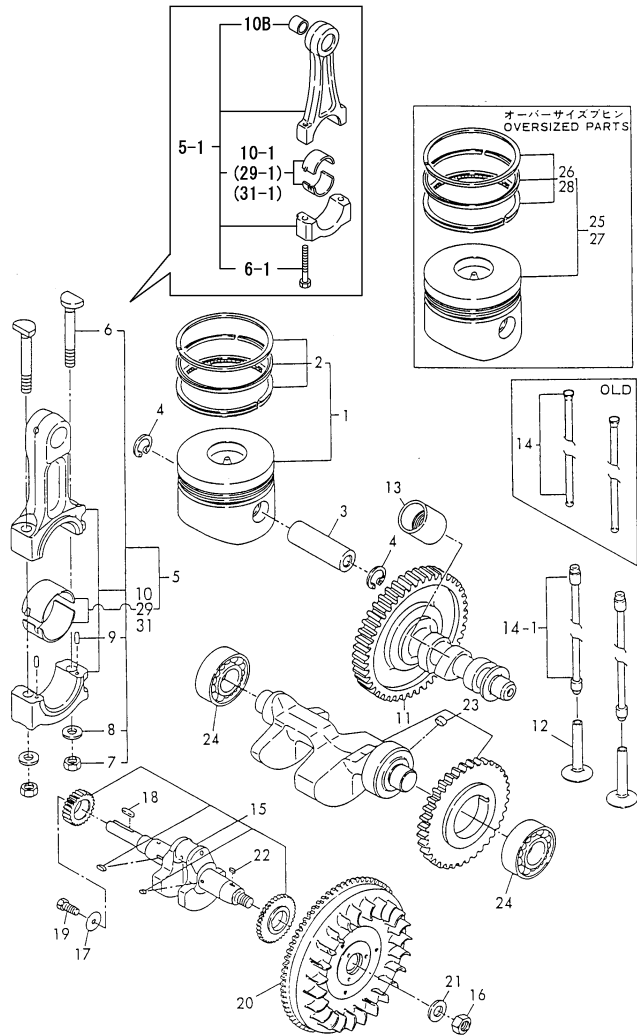
(A)=L60DEGHA
 (B)=L60ADEGHA
 (C)=

(D)=
 (E)=
 (F)=

No.	Lev.	Parts No.	Description	Q'ty						I	R
				(A)	(B)	(C)	(D)	(E)	(F)		
1A	1	714360-22725	PISTON ASSY,21-70-25	1							
1B	1	714380-22720	PISTON ASSY, D		1						
2	2	714350-22502	RING SET, PISTON	1	1						
3	1	114350-22301	PIN, PISTON D=21	1	1						
4	1	22252-000210	RING, 21	2	2						
5	1	714350-23704	ROD ASSY, CONNECTING	1	1						
5-1	1	714380-23700	ROD ASSY, CONNECTING	1	1					F	3
		(A=*1998.11.) (B=*1998.11.)									
6	2	114250-23200	BOLT, CONNECTING ROD	2	2						
6-1	2	118200-23200	BOLT, CONNECTING ROD	2	2						S
		(A=*1998.11.) (B=*1998.11.)									
7	2	114250-23220	NUT	2	2						Z
		(A=*1998.11.) (B=*1998.11.)									
8	2	114250-23250	WASHER	2	2						Z
		(A=*1998.11.) (B=*1998.11.)									
9	2	22312-030080	PIN, PARALLEL M3X 8	2	2						Z
		(A=*1998.11.) (B=*1998.11.)									
10	2	714350-23600	BEARING, CRANK PIN	1	1						
10-1	2	714380-23600	BEARING, CRANK PIN	1	1						S
		(A=*1998.11.) (B=*1998.11.)									
10B	2	114380-23100	BEARING, PISTON PIN	1	1						W
		(A=*1998.11.) (B=*1998.11.)									
11A	1	714360-14580	CAMSHAFT ASSY	1							
11B	1	714880-14580	CAMSHAFT ASSY		1						
12	1	114250-14200	TAPPET	2	2						
13	1	114250-14260	TAPPET	1	1						
14	1	114350-14401	ROD, PUSH	2							
14-1	1	114350-14450	ROD ASSY, PUSH	2	2						S
		(A=E50047)									
15A	1	714361-21711	CRANKSHAFT ASSY	1							
15A-1	1	714361-21712	CRANKSHAFT ASSY	1							F 3
		(A=*1998.11.)									
15B	1	714361-21721	CRANKSHAFT ASSY		1						
15B-1	1	714361-21722	CRANKSHAFT ASSY		1						F 3
		(B=*1998.11.)									
16	1	103854-01221	NUT, CYLINDER HEAD	1	1						
17	1	160310-14550	WASHER	1	1						
18	1	22512-070360	KEY, 7X 36	1	1						
19	1	26106-080202	BOLT, M8X 20 PLATED	1	1						
20A	1	114362-21590	FLYWHEEL ASSY	1							
20B	1	114881-21590	FLYWHEEL ASSY		1						
21	1	114250-21550	WASHER	1	1						
22	1	22512-040120	KEY, 4X 12	1	1						
23A	1	714350-28511	SHAFT ASSY, BALANCER	1							
23B	1	714350-28520	SHAFT ASSY, BALANCER		1						
23B-1	1	714870-28510	SHAFT ASSY, BALANCER		1						F 3
		(B=*1998.11.)									
24	1	24101-062024	BEARING, BALL 6202	2	2						
25A	1	714360-22625	PISTON ASSY, 0.25 OS	1							1
25A-1	1	714360-22626	PISTON ASSY, 0.25 OS	1							N 1
		(A=EXXX)									

Fig.2. CRANK, ROD & PISTON

TUUU5541



(A)=L60DEGHA
(B)=L60ADEGHA
(C)=

(D)=
(E)=
(F)=

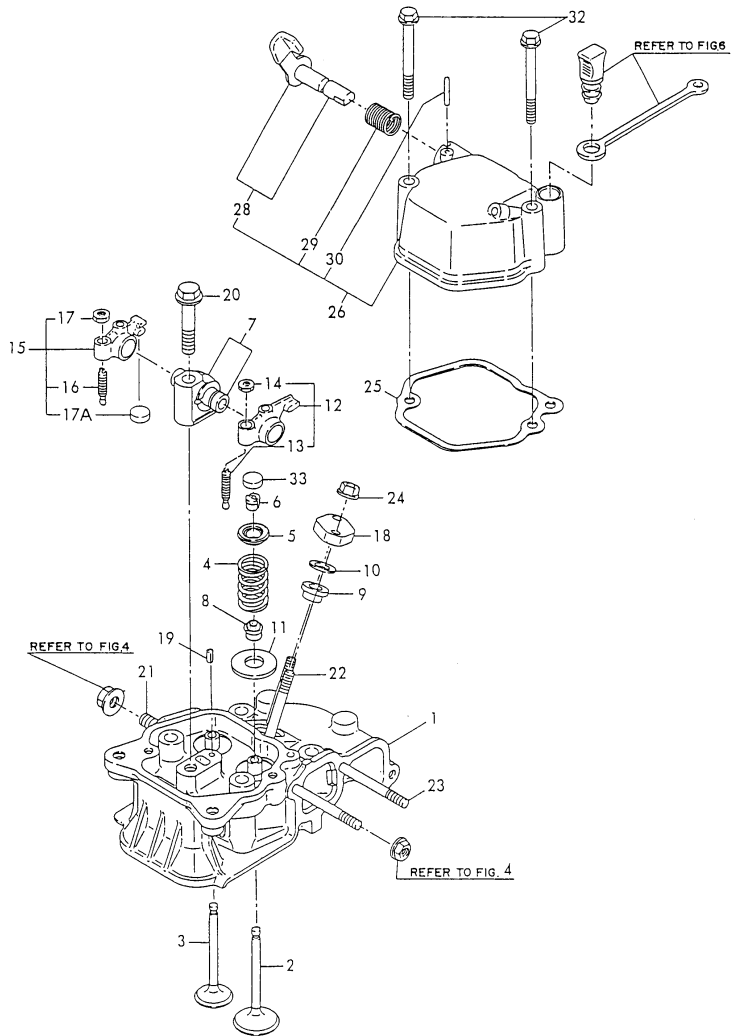
No.	Lev.	Parts No.	Description	Q'ty						I	R
				(A)	(B)	(C)	(D)	(E)	(F)		
25B	1	714380-22620	PISTON ASSY, 0.25 OS		1						1
26	2	714350-22541	RING SET, 0.25 OS	1							
26-1	2	714350-22542	RING SET, 0.25 OS	1	1						N 1
(A=EXXX)											
27A	1	714360-22580	PISTON ASSY, 0.50 OS	1							1
27B	1	714380-22580	PISTON ASSY, 0.50 OS		1						1
28	2	714350-22550	RING SET, 0.50 OS	1	1						1
29	1	714350-23610	BEARING ASSY, 0.25	1	1						2
29-1	1	714380-23610	METAL ASSY, 0.25	1	1						S 2
(A=*1998.11.) (B=*1998.11.)											
31	1	714350-23620	BEARING, 0.50 US	1	1						2
31-1	1	714380-23620	BEARING, 0.50 US	1	1						S 2
(A=*1998.11.) (B=*1998.11.)											

Remarks

- (1) OVER-SIZED PART.
- (2) UNDER-SIZED PART.
- (3) REF.NO.5-1,15A-1,15B-1 & 23B-1 INTERCHANGEABLE BY SET.

Fig.3. CYLINDER HEAD

10005541



(A)=L60DEGHA
(B)=L60ADEGHA
(C)=

(D)=
(E)=
(F)=

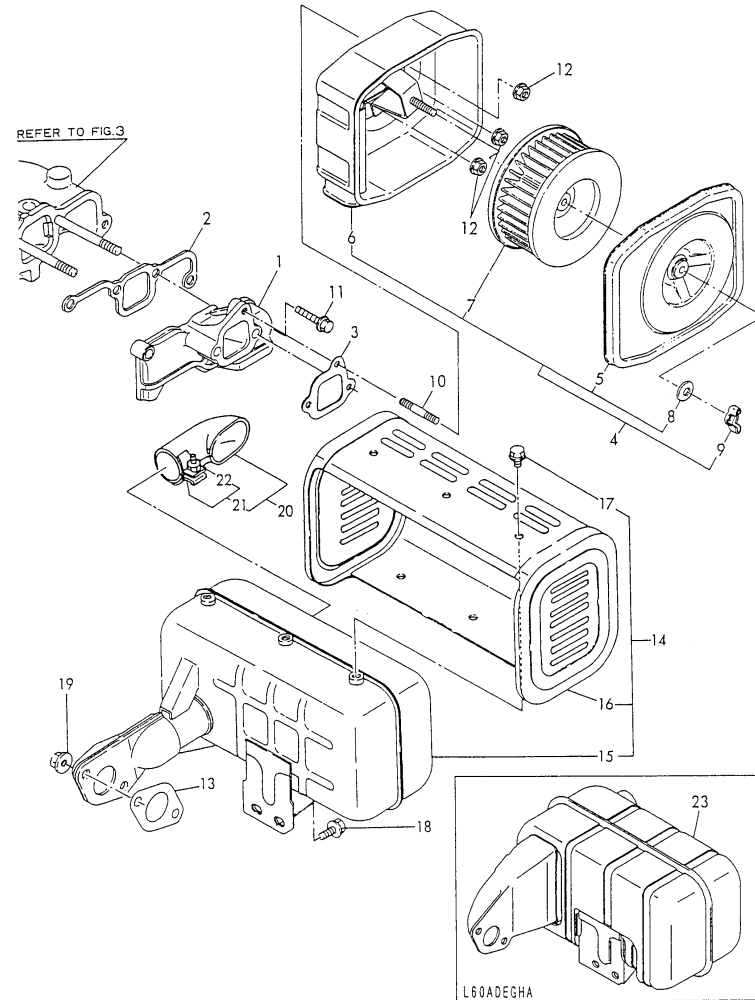
No.	Lev.	Parts No.	Description	Q'ty						I	R
				(A)	(B)	(C)	(D)	(E)	(F)		
1A	1	114350-11021	HEAD ASSY, CYLINDER	1							
1B	1	114870-11020	HEAD ASSY, CYLINDER		1						
2	1	114350-11101	VALVE, INTAKE	1	1						
3	1	114350-11112	VALVE, EXHAUST	1							
3-1	1	114350-11113	VALVE, EXHAUST	1	1						N
(A=EXXX)											
4	1	114350-11120	SPRING, VALVE	2	2						
5	1	101158-11180	RETAINER, SPRING	2	2						
6	1	105010-11190	COTTER	4							
6-1	1	27310-060000	COTTER 6	4	4						R
(A=EXXX)											
7	1	114250-11290	SUPPORT, ROCKER ARM	1	1						
8	1	114350-11340	SEAL, VALVE STEM	2	2						
9	1	114250-11460	GASKET, NOZZLE	1	1						G
10	1	114350-11470	SPACER, NOZZLE	1	1						
11	1	114250-11600	WASHER	2	2						
12	1	114250-11651	ARM, ROCKER	1	1						
13	2	114250-11240	SCREW, VALVE ADJUST	1	1						
14	2	26756-060002	NUT, LOCK M6	1	1						
15	1	114250-11661	ARM, ROCKER	1							
15-1	1	714370-11660	ARM ASSY, ROCKER	1	1						N
(A=EXXX)											
16	2	114250-11240	SCREW, VALVE ADJUST	1	1						
17	2	26756-060002	NUT, LOCK M6	1	1						
17A	2	105010-11490	CAP, VALVE	1	1						W
(A=EXXX)											
18	1	114250-11900	RETAINER, NOZZLE	1	1						
19	1	22351-040008	PIN, SPRING 4.0X 8	1	1						
20	1	26106-080452	BOLT, M8X 45 PLATED	1	1						
21	1	26216-080182	STUD, M8X 18	2	2						
22	1	26226-060502	STUD, M6X 50	2	2						
23	1	26226-060552	STUD, M6X 55	2	2						
24	1	26366-060002	NUT, M6	2	2						
25	1	114250-11310	GASKET, BONNET	1	1						G
26	1	114250-11951	BONNET ASSY, HEAD	1	1						
28	2	114250-03591	LEVER ASSY	1	1						
29	2	114250-03640	SPRING, DECOMPRESSION	1	1						
30	2	22312-030160	PIN, PARALLEL M3X16	1	1						
32	1	26106-060552	BOLT, M6X 55 PLATED	2	2						
33	1	105010-11490	CAP, VALVE	1	1						W
(A=EXXX)											

Remarks

(G) THESE PARTS ARE SOLD BY FIG.10,
REF.NO.23,23-1.

Fig.4. AIR CLEANER & MUFFLER

10003341



(A)=L60DEGHA
(B)=L60ADEGHA
(C)=

(D)=
(E)=
(F)=

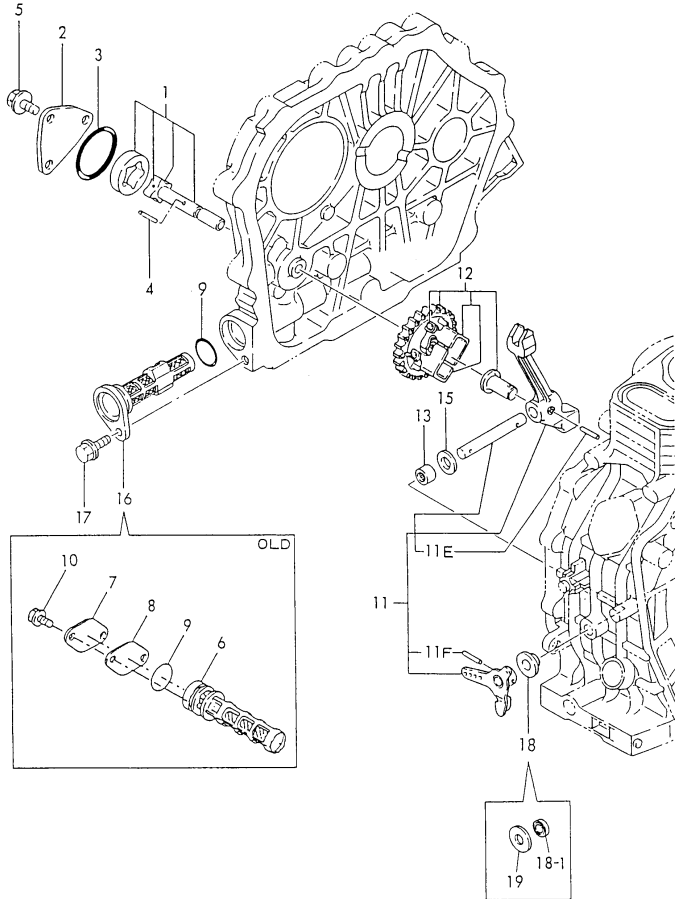
No.	Lev.	Parts No.	Description	Q'ty						I	R
				(A)	(B)	(C)	(D)	(E)	(F)		
1	1	114350-12011	PIPE, AIR INTAKE	1	1						
2	1	114350-12201	GASKET	1	1						G
3	1	114250-12210	GASKET, AIR CLEANER	1	1						G
4	1	714250-12560	CLEANER ASSY, AIR	1	1						
5	2	114250-12520	COVER, AIR CLEANER	1	1						
6	2	114250-12530	CASE ASSY, CLEANER	1	1						
7	2	114250-12580	ELEMENT	1	1						
8	2	114250-12560	WASHER, SEAL M6	1	1						
9	2	114250-12550	NUT, WING M6	1	1						
10	1	26226-060142	STUD, M6X 14	1	1						
11	1	26106-060252	BOLT, M6X 25 PLATED	1							
11-1	1	26106-060252	BOLT, M6X 25 PLATED	2	2						K
(A=E50047)											
12	1	26366-060002	NUT, M6	3	3						
13	1	114250-13200	GASKET, MUFFLER	1	1						G
14	1	114350-13523	MUFFLER	1							
15	2	114350-13533	MUFFLER	1							
16	2	114350-13703	COVER	1							
17	2	26106-060082	BOLT, M6X 8 PLATED	6							
18	1	26106-060122	BOLT, M6X 12 PLATED	2	2						
19	1	26366-080002	NUT, M8	2	2						
20	1	114252-13800	EXTENSION ASSY	1	1						
21	2	114252-13910	CLAMP	1	1						
22	3	114252-13960	SCREW 6X 25	1	1						
23	1	114870-13551	MUFFLER ASSY		1						

Remarks

(G) THESE PARTS ARE SOLD BY FIG.10,
REF.NO.23,23-1.

Fig.5. LUB.OIL & GOVERNOR

10003341



(A)=L60DEGHA
(B)=L60ADEGHA
(C)=

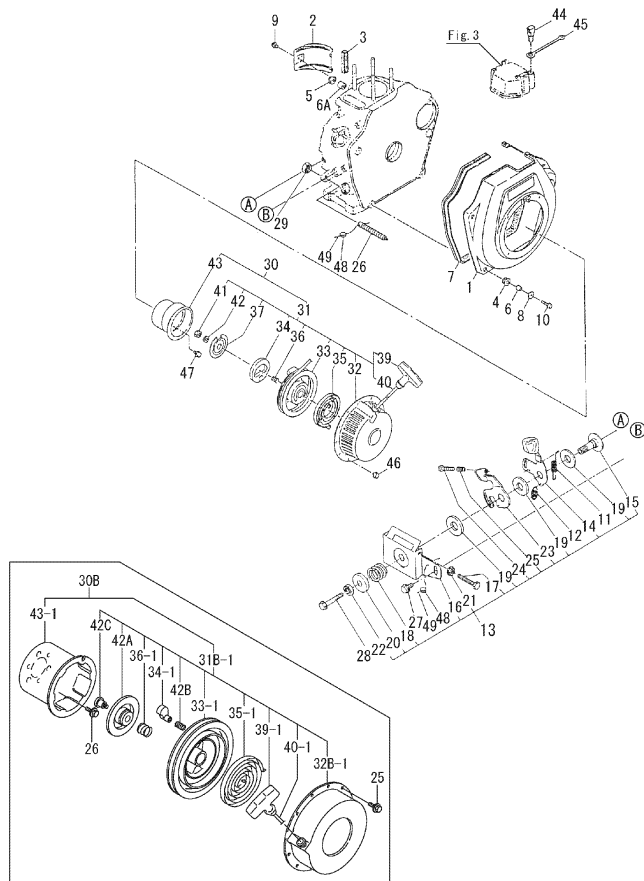
(D)=
(E)=
(F)=

No.	Lev.	Parts No.	Description	Q'ty						I	R
				(A)	(B)	(C)	(D)	(E)	(F)		
1	1	114250-32010	PUMP ASSY, OIL	1	1						
2	1	114250-32070	COVER	1	1						
3	1	103338-32570	O-RING	1	1						G
4	1	22312-030160	PIN, PARALLEL M3X16	1	1						
5	1	26476-060142	SCREW, TAPPING M6X14	3	3						
6	1	114250-35060	FILTER, OIL	1							Z 1
		(A=58254)									
7	1	114250-35250	COVER	1							Z 1
		(A=58254)									
8	1	114250-35270	GASKET	1							Z 1
		(A=58254)									
9	1	24341-000224	O-RING, 1AS22.4	1	1						G
10	1	26106-060122	BOLT, M6X 12 PLATED	2							Z 1
		(A=58254)									
11	1	714350-61500	LEVER ASSY, GOVERNOR	1	1						
11E	2	22322-030200	PIN, TAPER 3X20	1	1						
11F	2	22322-030200	PIN, TAPER 3X20	1	1						
12A	1	714250-61700	GOVERNOR ASSY	1							
12B	1	714770-61700	GOVERNOR ASSY		1						
13	1	121450-61520	BEARING, NEEDLE 8	2							
13-1	1	114270-61520	BEARING, NEEDLE 8	2	2						R
		(A=EXXX)									
15	1	22137-080000	WASHER, 8	1							
15-1	1	114770-61190	WASHER	1	1						N
		(A=EXXX)									
16	1	114250-35070	FILTER, OIL	1	1						W
		(A=58254)									
17	1	26106-060162	BOLT, M6X 16 PLATED	1	1						W
		(A=58254)									
18	1	114250-61900	BUSH	1							2
18-1	1	114770-61600	SEAL, OIL	1	1						S
		(A=*1991.06)									
19	1	114770-61610	WASHER, THRUST	1	1						W
		(A=*1991.06)									

Remarks

(G) THESE PARTS ARE SOLD BY FIG.10,
REF.NO.23,23-1.

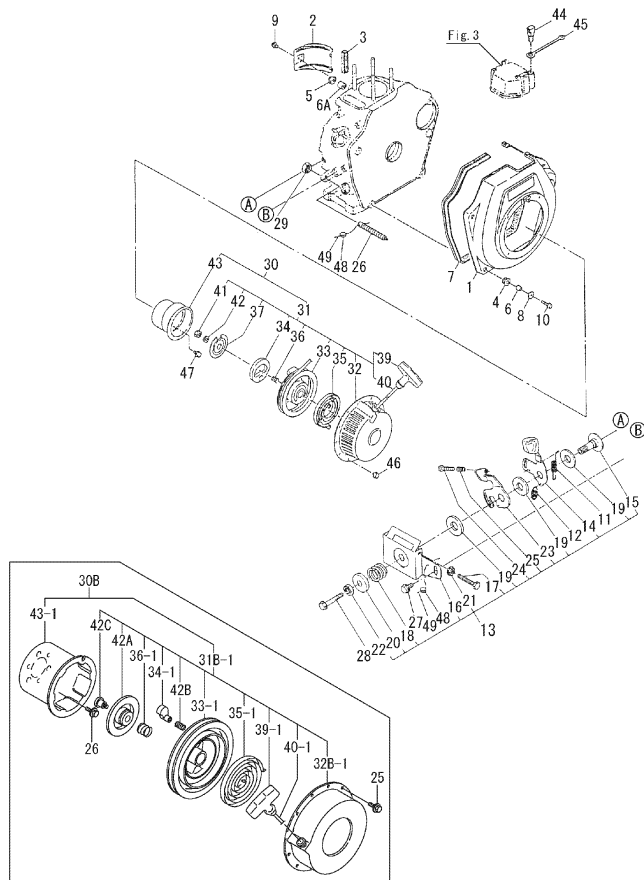
Fig.6. STARTING & CONTROL



No.	Lev.	Parts No.	Description	Q'ty						I	R
				(A)	(B)	(C)	(D)	(E)	(F)		
1	1	114360-45101	CASE, COOLING FAN	1	1						
2A	1	114350-45201	COVER	1							
2B	1	114870-45201	COVER		1						
3	1	114350-45320	RUBBER, SEAL	1	1						
4	1	114250-45300	ABSORBER	5							
4-1	1	114250-45300	ABSORBER	4	4						K
(A=*1994.07)											
5	1	183720-55210	GROMMET	1	1						
6	1	114250-45310	COLLAR	5							
6-1	1	114250-45310	COLLAR	4	4						K
(A=*1994.07)											
6A	1	114350-45340	COLLAR	1	1						
(A=FROM 1ST)											
7	1	114250-45330	SEAL, FAN CASE L=875	1	1						
8	1	160120-76940	WASHER	5							
9	1	26476-060202	SCREW, TAPPING M6X20	1	1						
10	1	26476-060252	SCREW, TAPPING M6X25	5							
10-1	1	114370-45350	BOLT	5							R
(A=*1993.06)											
10-2	1	114370-45350	BOLT	4	4						K
(A=*1994.07)											
11	1	114374-66120	SPRING, REGULATOR	1	1						
12	1	114250-66200	SPRING, RETURN	1	1						
13	1	114374-66500	BRACKET ASSY, HANDLE	1	1						
14	2	183250-66050	HANDLE, REGULATOR	1	1						
15	2	183250-66070	SHAFT, HANDLE	1	1						
16	2	183250-66100	BRACKET, RADIATOR	1	1						
17	2	114250-66440	BOLT, ADJUSTING	1	1						
18	2	104200-66820	SPRING	1	1						
19	2	114374-66130	PLATE, FRICTION	3	3						
20	2	104200-66850	WASHER	1	1						
21	2	26757-060002	NUT, LOCK M6	1	1						
22	2	26696-100002	NUT, LOCK M10	1	1						
23	2	114374-66100	LEVER, CHANGE	1	1						
24	2	26557-040162	SCREW, M4X16	1	1						
25	2	160520-66290	SPRING	1	1						
26	1	114250-66550	LIMITER ASSY, FUEL	1	1						
27	1	26476-060142	SCREW, TAPPING M6X14	1	1						
28	1	26476-060452	SCREW, TAPPING M6X45	1							
28-1	1	26106-060452	BOLT, M6X 45 PLATED	1	1						N
(A=EXXX)											
29A	1	26696-100002	NUT, LOCK M10	1							
29B	1	114870-66770	NUT, M10		1						
30A	1	114360-76050	STARTER ASSY, RECOIL	1							
30B	1	114880-76050	STARTER ASSY, RECOIL		1						
30B-1	1	114880-76051	STARTER ASSY, RECOIL	1							R 1
(B=EZZZZZ)											
31A	2	114360-76250	STARTER ASSY, RECOIL	1							
31B	2	114880-76250	STARTER ASSY, RECOIL		1						
31B-1	2	114880-76251	STARTER ASSY, RECOIL	1							S
(B=EZZZZZ)											

Remarks
 (1) Interchangeable by simultaneous replacement with Ref.31B-1 and Ref.43-1.

Fig.6. STARTING & CONTROL



(A)=L60DEGHA
(B)=L60ADEGHA
(C)=

(D)=
(E)=
(F)=

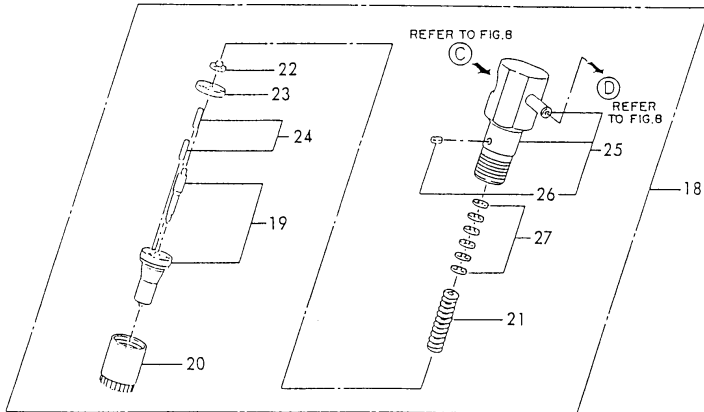
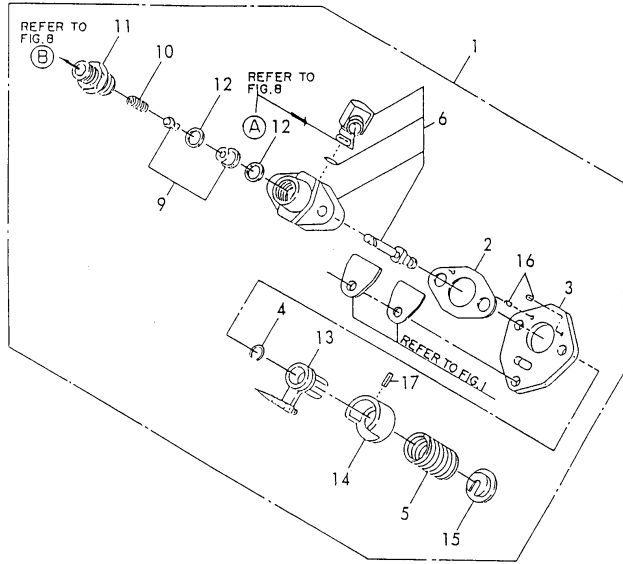
No.	Lev.	Parts No.	Description	Q'ty						I	R
				(A)	(B)	(C)	(D)	(E)	(F)		
32A	3	114360-76510	CASE, STARTER	1							
32B	3	114880-76510	CASE, STARTER		1						
32B-1	3	114880-76511	CASE, STARTER		1						S
(B=EZZZZZ)											
33	3	160810-76520	REEL	1	1						
33-1	3	114880-76520	REEL		1						S
(B=EZZZZZ)											
34	3	160840-76530	RATCHET	1	1						
34-1	3	114870-76530	RATCHET		2						S
(B=EZZZZZ)											
35	3	160810-76540	SPRING, SPIRAL	1	1						
35-1	3	114870-76540	SPRING, SPIRAL		1						S
(B=EZZZZZ)											
36	3	160840-76560	SPRING, FRICTION	1	1						
36-1	3	114870-76560	SPRING, FRICTION		1						S
(B=EZZZZZ)											
37	3	160810-76580	PLATE, FRICTION	1	1						
37-1	3	160910-76580	PLATE, FRICTION		1						Z
(B=EZZZZZ)											
39	3	160810-76620	KNOB, STARTER	1	1						
39-1	4	114870-76620	KNOB, STARTER		1						S
(B=EZZZZZ)											
40	3	160810-76630	ROPE, STARTER	1	1						
40-1	4	114870-76630	ROPE, STARTER		1						S
(B=EZZZZZ)											
41	3	181130-76680	NUT	1	1						
41-1	3	181130-76680	NUT		1						Z
(B=EZZZZZ)											
42	3	181130-76700	WASHER	1	1						
42-1	3	181130-76700	WASHER, SPRING		1						Z
(B=EZZZZZ)											
42A	3	114880-76550	GUIDE, RATCHET		1						W
(B=EZZZZZ)											
42B	3	114870-76570	SPRING, RETURN		2						W
(B=EZZZZZ)											
42C	3	114870-76580	SCREW		1						W
(B=EZZZZZ)											
43	2	114350-76590	PULLEY, STARTER	1	1						
43-1	2	114350-76591	PULLEY, STARTER		1						S
(B=EZZZZZ)											
44	1	114250-76600	PLUNGER	1	1						
45	1	114250-76610	HOLDER, PLUNGER	1	1						
46	1	26106-060082	BOLT, M6X 8 PLATED	4	4						
47	1	26106-060122	BOLT, M6X 12 PLATED	3	3						
48	1	135210-61090	LEAD	2	2						W
(A=E19123)											
49	1	22451-060000	WIRE, 0.6	2	2						W
(A=E19123)											

Remarks

(1) Interchangeable by simultaneous replacement with Ref.31B-1 and Ref.43-1.

Fig.7. FUEL INJECTION DEVICE

10000001



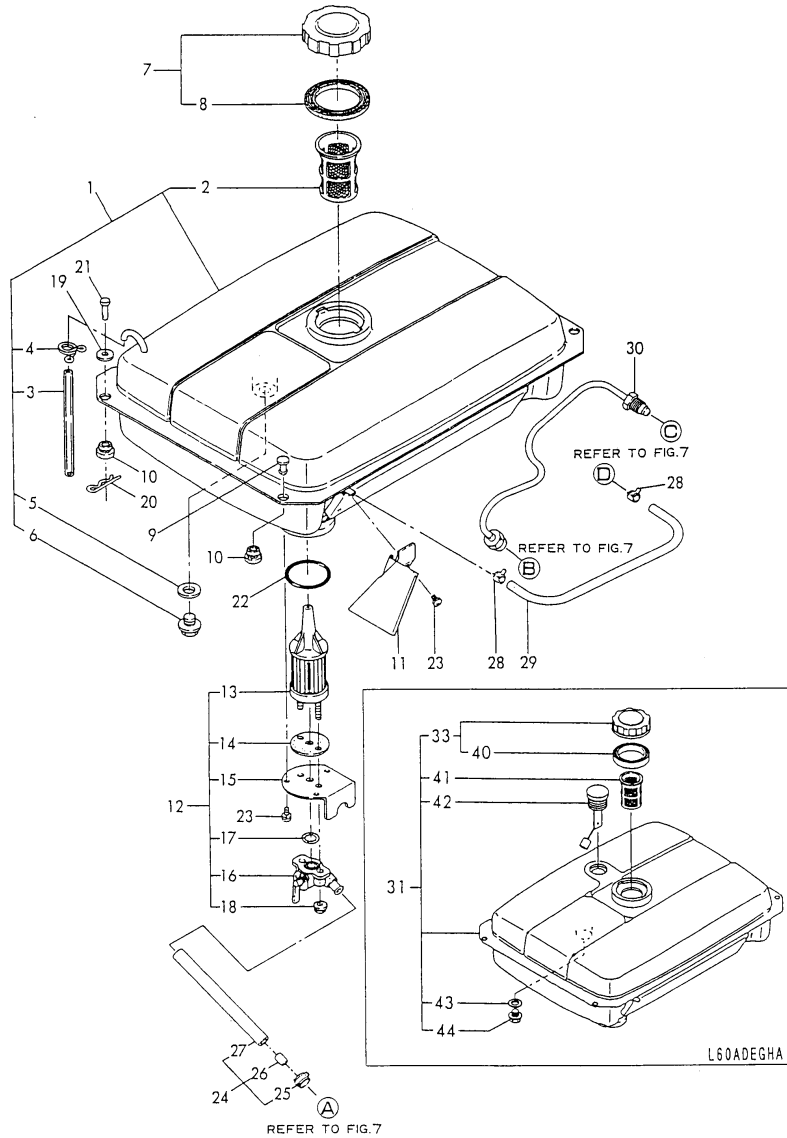
(A)=L60DEGHA
(B)=L60ADEGHA
(C)=

(D)=
(E)=
(F)=

No.	Lev.	Parts No.	Description	Q'ty						I	R
				(A)	(B)	(C)	(D)	(E)	(F)		
1	1	783350-51701	PUMP ASSY, INJECTION	1	1						
2	2	105546-51020	GASKET	1	1						
3	2	114250-51080	PLATE	1	1						
4	2	114250-51150	RING, SNAP	1	1						
5	2	114250-51160	SPRING, PLUNGER	1	1						
6	2	183350-51200	BODY ASSY, PUMP	1	1						
9	2	114250-51300	VALVE ASSY, DELIVERY	1	1						
10	2	105546-51330	SPRING, DELIVERY	1	1						
11	2	114250-51340	HOLDER, DELIVERY	1	1						
12	2	124550-51350	GASKET, DELIVERY	2	2						
13	2	114250-51600	LEVER ASSY, CONTROL	1	1						
14	2	114250-51640	SEAT, SPRING A	1	1						
15	2	114250-51650	SEAT, SPRING B	1	1						
16	2	22351-020006	PIN, SPRING 2.0X 6	2	2						
17	2	22351-030008	PIN, SPRING 3.0X 8	1	1						
18A	1	714350-53100	VALVE ASSY,INJECTION	1							
18B	1	714870-53100	VALVE ASSY,INJECTION		1						
19A	2	114350-53000	VALVE ASSY,INJECTION	1							
19B	2	114870-53000	VALVE ASSY,INJECTION		1						
20	2	114250-53080	NUT, NOZZLE D16.95	1	1						
21	2	114250-53120	SPRING, NOZZLE	1	1						
22	2	114250-53130	SEAT, SPRING	1	1						
23	2	114250-53140	PLATE	1	1						
24	2	114250-53210	PIN	2	2						
25	2	114250-53300	HOLDER ASSY, NOZZLE	1	1						
26	3	114250-53331	PIN	1	1						
27	2	114250-53400	SHIM SET	1	1						

Fig.8. FUEL TANK & PIPE

10000041



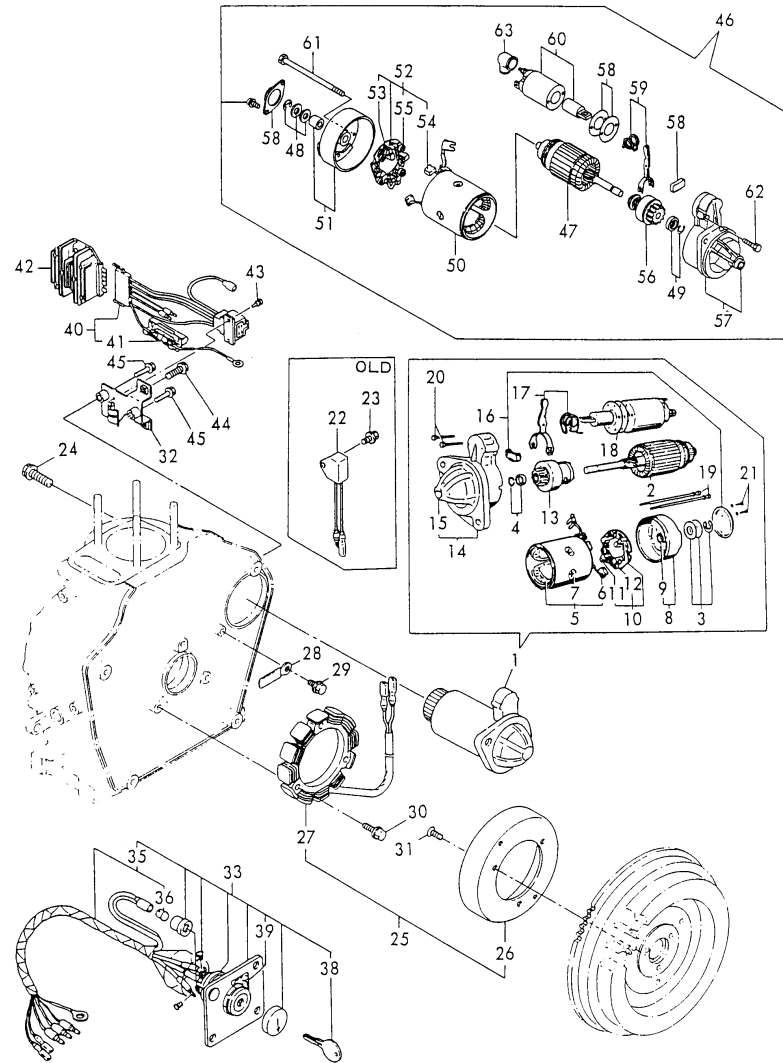
(A)=L60DEGHA
(B)=L60ADEGHA
(C)=

(D)=
(E)=
(F)=

No.	Lev.	Parts No.	Description	Q'ty						I	R
				(A)	(B)	(C)	(D)	(E)	(F)		
1	1	783350-55700	TANK ASSY, FUEL	1							
2	2	160710-55100	FILTER, FUEL	1							
3	2	012220-50010	PIPE, GAUGE	1							
4	2	103854-55220	RETAINER	2							
5	2	23414-120016	GASKET, 12X1.0	1							
6	2	23887-120002	PLUG, 12	1							
7	1	183250-55060	CAP, FUEL TANK	1							
8	2	160393-55050	GASKET	1							
9	1	183350-55100	PIN, 6X12	2	2						
10	1	183720-55210	GROMMET	4	4						
11	1	183350-55260	PLATE, GUIDE	1	1						
12A	1	183350-55300	COCK ASSY, FUEL	1							
12B	1	183350-55301	COCK ASSY, FUEL		1						
13A	2	114350-55120	FILTER ASSY, FUEL	1							
13B	2	114250-55121	FILTER ASSY, FUEL		1						
14	2	114250-55130	GASKET	1	1						
15	2	183350-55170	PLATE	1	1						
16	2	183250-55320	COCK ASSY, FUEL	1	1						
17	2	24341-000150	O-RING, 1AS15.0	1	1						
18	2	26366-060002	NUT, M6	2	2						
19A	1	160120-76940	WASHER	2							
19B	1	183350-55130	WASHER		2						
20	1	22360-060000	PIN, SNAP 6	2	2						
21A	1	22487-060140	PIN, H 6X 14	2							
21B	1	183350-55120	PIN, 6X14		2						
22	1	24311-000400	O-RING, 1AP40.0	1	1						
23	1	26022-050102	SCREW, M5X10	5	5						
24A	1	183350-59010	PIPE ASSY, FUEL	1							
24B	1	183382-59010	PIPE ASSY, FUEL		1						
25	2	106990-44660	CLIP, HOSE 12.5	3	3						
26	2	183250-59040	PIECE	1	1						
27A	2	183350-59370	PIPE, FUEL	1							
27B	2	183382-59050	PIPE, FUEL		1						
28	1	124722-59050	CLIP, HOSE 9	2	2						
29A	1	183350-59060	PIPE, FUEL RETURN	1							
29B	1	114353-59060	HOSE, RUBBER		1						
30	1	114350-59800	PIPE ASSY, INJECTION	1	1						
31	1	783350-55720	TANK ASSY, FUEL	1							
33	2	160710-55061	CAP ASSY	1							
40	3	160393-55050	GASKET	1							
41	2	160710-55100	FILTER, FUEL	1							
42	2	183621-55150	GAUGE	1							
43	2	23414-120000	GASKET, 12X1.0	1							
44	2	23887-120002	PLUG, 12	1							

Fig.9. STARTING MOTOR & DYNAMO

Y0005541



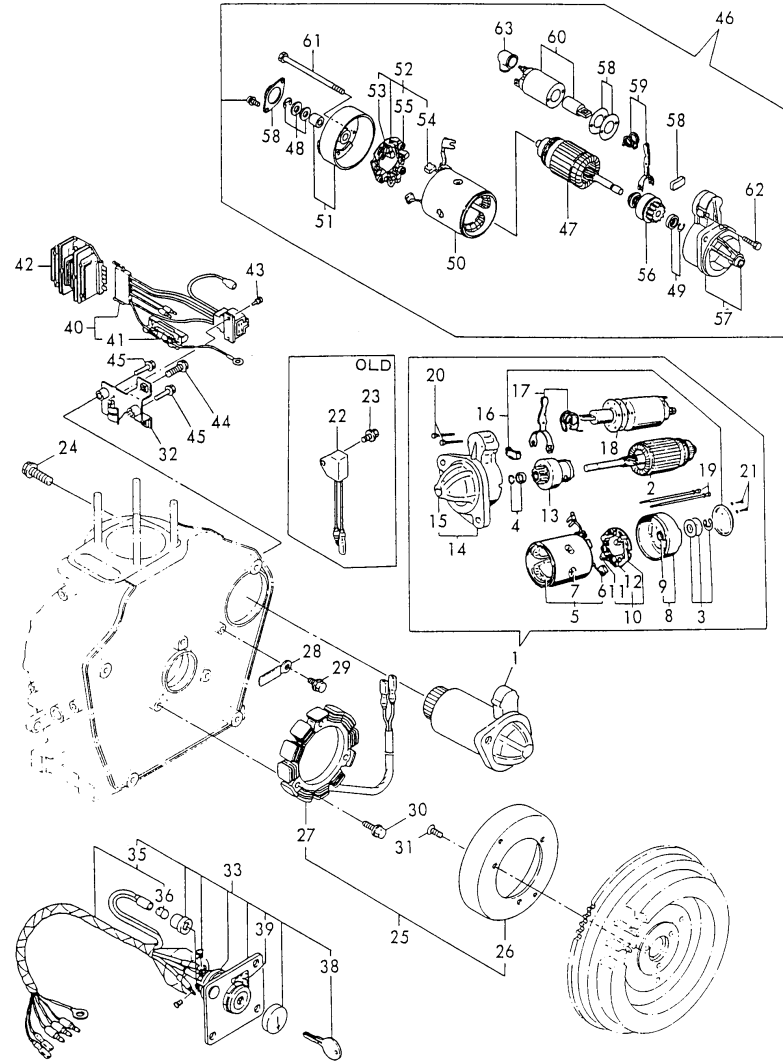
(A)=L60DEGHA
(B)=L60ADEGHA
(C)=

(D)=
(E)=
(F)=

No.	Lev.	Parts No.	Description	Qty						I	R
				(A)	(B)	(C)	(D)	(E)	(F)		
1	1	114362-77010	STARTER, S114-414A	1							
2	2	X211461104	ARMATURE	1							
3	2	X21148110	WASHER SET, THRUST	1							
4	2	X21147155	STOPPER SET, PINION	1							
5	2	X211412105	COIL ASSY, FIELD	1							
6	3	X21145312	BRUSH, +	2							
7	3	X21143215	SCREW, CORE	4							
8	2	X211473002	COVER, REAR	1							
9	3	X21145352	METAL	1							
10	2	X211489001	HOLDER ASSY, BRUSH	1							
11	3	X21148313	BRUSH (-)	1							
12	3	X21149314	SPRING, BRUSH	3							
13	2	X211445508	PINION ASSY	1							
14	2	X211416603	HOUSING ASSY, GEAR	1							
15	3	X21145352	METAL	1							
16	2	X211478006	COVER KIT	1							
17	2	X211456013	LEVER KIT, SHIFT	1							
18	2	X211427501	SWITCH, MAGNETIC	1							
19	2	X211468005	BOLT, THROUGH	2							
20	2	X21145867	BOLT, M6	2							
21	2	X21142835	SCREW SET	1							
22	1	160970-77350	RECTIFIER, ZR2117	1							Z
(A=EXXX)											
23	1	26106-060122	BOLT, M6X 12 PLATED	1							Z
(A=EXXX)											
24	1	26106-100302	BOLT, M10X 30 PLATED	2	2						
25	1	514354-78110	DYNAMO ASSY	1							
25-1	1	114354-78300	DYNAMO ASSY	1	1						R
(A=EXXX)											
26	2	114354-78810	WHEEL, DYNAMO	1	1						
27	2	114354-78800	STATOR ASSY	1	1						
28	1	160710-78710	CLAMP, CORD	1	1						
29	1	26476-060142	SCREW, TAPPING M6X14	1	1						
30	1	26476-060202	SCREW, TAPPING M6X20	3	3						
31	1	26577-060142	SCREW M 6X 14	3	3						
32A	1	114253-77410	BRACKET	1							W
(A=EXXX)											
32B	1	114385-77400	BRACKET		1						
33	1	114351-77500	PANEL ASSY	1	1						W
(A=EXXX)											
35	2	114351-77700	HARNES, WIRE	1	1						W
(A=EXXX)											
36	3	29220-083200	BULB (12V/3.4W)	1	1						W
(A=EXXX)											
38	2	106100-77630	KEY, SWITCH	1	1						W
(A=EXXX)											
39	2	105198-07120	LABEL, STARTER	1	1						W
(A=EXXX)											
40	1	114351-77540	HARNES, WIRE	1	1						W
(A=EXXX)											
41	2	29411-150000	FUSE, CARTRIDGE 15A	2	2						W

Fig.9. STARTING MOTOR & DYNAMO

Y0005541



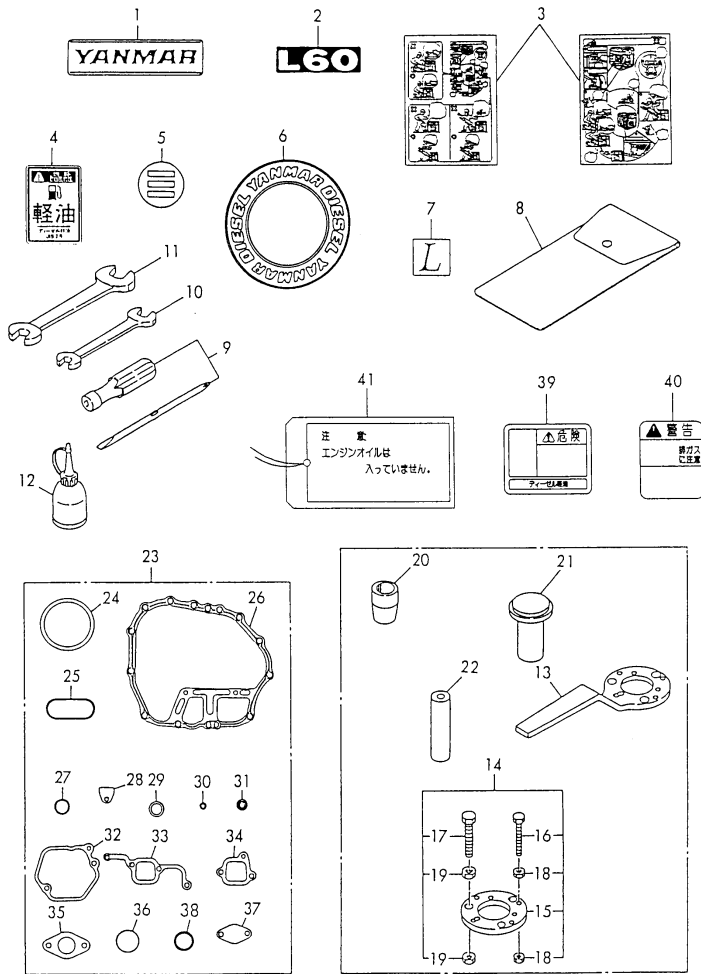
(A)=L60DEGHA
(B)=L60ADEGHA
(C)=

(D)=
(E)=
(F)=

No.	Lev.	Parts No.	Description	Q'ty						I	R
				(A)	(B)	(C)	(D)	(E)	(F)		
		(A=EXXX)									
42	1	119660-77710	LIMITER, CURRENT 15A	1	1						W
		(A=EXXX)									
43A	1	26023-040102	SCREW, M4X10		2						W
		(A=EXXX)									
43B-1	1	26023-040102	SCREW, M4X10			2					N
		(B=FROM 1ST)									
44	1	26106-060202	BOLT, M6X 20 PLATED	2	2						W
		(A=EXXX)									
45A	1	26106-060252	BOLT, M6X 25 PLATED		2						W
		(A=EXXX)									
45B	1	26106-060122	BOLT, M6X 12 PLATED			2					
46	1	114362-77011	STARTER(HITACHI 12V			1					
47	2	114381-77110	ARMATURE			1					
48	2	X2114811000	WASHER KIT, THRUST			1					
49	2	X2114715500	STOPPER SET, PINION			1					
50	2	114381-77130	COIL ASSY, FIELD			1					
51	2	114381-77140	COVER, REAR			1					
52	2	114371-77160	HOLDER ASSY, BRUSH			1					
53	3	114371-79040	BRUSH (-)			2					
54	3	114371-79050	BRUSH (+)			1					
55	3	114371-79060	SPRING, BRUSH			4					
56	2	X2114455080	PINION ASSY			1					
57	2	114381-77150	HOUSING ASSY, GEAR			1					
58	2	114371-77170	COVER KIT, DUST			1					
59	2	X2114560130	LEVER KIT, SHIFT			1					
60	2	X2114275010	SWITCH ASSY, MAGNET			1					
61	2	X2114680050	BOLT, THROUGH			2					
62	2	114371-79070	BOLT M 6X 37			2					
63	2	X2114274200	COVER, TERMINAL			1					

Fig.10. LABELS,TOOLS & GASKET SET

TUUU554L



(A)=L60DEGHA
(B)=L60ADEGHA
(C)=

(D)=
(E)=
(F)=

No.	Lev.	Parts No.	Description	Q'ty						I	R
				(A)	(B)	(C)	(D)	(E)	(F)		
1A	1	114250-07110	LABEL, YANMAR	1							
1B	1	114250-07111	LABEL, YANMAR		1						
2	1	183350-07120	LABEL(L60)	1							
3A	1	114250-07800	LABEL	1							
3B	1	114250-07250	LABEL, HOW TO START		1						
4	1	114250-07190	LABEL	1							
5	1	114250-07300	LABEL	1							Z
		(A=58254)									
6A	1	114250-07350	LABEL, YANMAR DIESEL	1							
6B	1	114261-07350	LABEL		1						
7	1	114250-07950	LABEL -L-	1							
8	1	114250-92600	BAG, TOOL	1	1						
9	1	160330-92730	DRIVE, SCREW	1	1						
10	1	28110-100120	SPANNER, 10X12	1	1						
11	1	28110-140170	SPANNER, 14X17	1	1						
12	1	28210-000150	OILER	1	1						
13	1	114250-92101	F.W. LOCKING HANDLE	1	1						1
14	1	114250-92130	REMOVER, FLYWHEEL	1	1						1
15	2	114250-92121	TOOL, WHEEL REMOVER	1	1						1
16	2	26116-060454	BOLT M 6X 45 PLATED	4	4						1
17	2	26116-080454	BOLT, M8X 45 PLATED	3	3						1
18	2	26716-060002	NUT, M6	8	8						1
19	2	26716-080002	NUT, M8	6	6						1
20	1	114350-92301	GUIDE, OIL SEAL	1	1						1
21	1	114350-92311	INSTALLING TOOL	1	1						1
22	1	114350-92350	INSTALLING TOOL	1	1						1
23	1	714350-92602	GASKET SET	1							1
23-1	1	714350-92610	GASKET SET	1	1						N 1
		(A=EXXX)									
24	2	114350-01340	GASKET, HEAD	1	1						1
25	2	114350-01380	O-RING	1	1						1
26	2	114350-01412	GASKET, CRANK CASE	1	1						1
27	2	24311-000180	O-RING, 1AP18.0	2	2						1
28	2	114250-01840	GASKET	1	1						1
29	2	43400-500490	SEAL WASHER 16S	2							1
29-1	2	22190-160002	WASHER, SEAL 16	2	2						N 1
		(A=EXXX)									
30	2	114350-11340	SEAL, VALVE STEM	2	2						1
31	2	114250-11460	GASKET, NOZZLE	1	1						1
32	2	114250-11310	GASKET, BONNET	1	1						1
33	2	114350-12200	GASKET	1							1
33-1	2	114350-12201	GASKET	1	1						N 1
		(A=EXXX)									
34	2	114250-12210	GASKET, AIR CLEANER	1	1						1
35	2	114250-13200	GASKET, MUFFLER	1	1						1
36	2	103338-32570	O-RING	1	1						1
37	2	114250-35270	GASKET	1							Z 1
		(A=58254)									
38	2	24341-000224	O-RING, 1AS22.4	1	1						W 1
		(A=EXXX)									
39	1	114370-07100	LABEL,NO FIRE		1						

Remarks
(1) OPTIONAL PARTS

Parts No. Index

Parts No.	Fig. No.	Ref. No.
012220-50010	8	3
101158-11180	3	5
103338-32570	5	3
	10	36
103854-01221	2	16
103854-55220	8	4
104200-66820	6	18
104200-66850	6	20
105010-11190	3	6
105010-11490	3	17 A
		33
105198-07120	9	39
105225-01240	1	6
105425-01690	1	11
105546-51020	7	2
105546-51330	7	10
106100-77630	9	38
106990-44660	8	25
114250-01800	1	14
114250-01830	1	15
114250-01840	1	16
	10	28
114250-02030	1	25
114250-03591	3	28
114250-03640	3	29
114250-07110	10	1 A
114250-07111	10	1 B
114250-07190	10	4
114250-07250	10	3 B
114250-07300	10	5
114250-07350	10	6 A
114250-07500	10	41
114250-07800	10	3 A
114250-07950	10	7
114250-11240	3	13
		16
114250-11290	3	7
114250-11310	3	25
	10	32
114250-11460	3	9
	10	31
114250-11600	3	11
114250-11651	3	12
114250-11661	3	15
114250-11900	3	18
114250-11951	3	26
114250-12210	4	3
	10	34
114250-12520	4	5
114250-12530	4	6

Parts No.	Fig. No.	Ref. No.
114250-12550	4	9
114250-12560	4	8
114250-12580	4	7
114250-13200	4	13
	10	35
114250-14200	2	12
114250-14260	2	13
114250-21550	2	21
114250-23200	2	6
114250-23220	2	7
114250-23250	2	8
114250-32010	5	1
114250-32070	5	2
114250-35060	5	6
114250-35070	5	16
114250-35150	1	33
114250-35250	5	7
114250-35270	5	8
	10	37
114250-45300	6	4
		4 -1
114250-45310	6	6
		6 -1
114250-45330	6	7
114250-51080	7	3
114250-51150	7	4
114250-51160	7	5
114250-51300	7	9
114250-51340	7	11
114250-51600	7	13
114250-51640	7	14
114250-51650	7	15
114250-53080	7	20
114250-53120	7	21
114250-53130	7	22
114250-53140	7	23
114250-53210	7	24
114250-53300	7	25
114250-53331	7	26
114250-53400	7	27
114250-55121	8	13 B
114250-55130	8	14
114250-61900	5	18
114250-66200	6	12
114250-66440	6	17
114250-66550	6	26
114250-76600	6	44
114250-76610	6	45
114250-92101	10	13
114250-92121	10	15

Parts No.	Fig. No.	Ref. No.
114250-92130	10	14
114250-92600	10	8
114252-13800	4	20
114252-13910	4	21
114252-13960	4	22
114253-77410	9	32 A
114261-07350	10	6 B
114270-01600	1	18 -1
114270-61520	5	13 -1
114350-01200	1	2
114350-01210	1	3
114350-01220	1	4
114350-01250	1	5
114350-01340	1	7
	10	24
114350-01380	1	8
	10	25
114350-01411	1	9
114350-01412	1	9 -1
	10	26
114350-01700	1	1 E
114350-02100	1	36
114350-02113	1	27
114350-02200	1	34
114350-02210	1	35
114350-11021	3	1 A
114350-11101	3	2
114350-11112	3	3
114350-11113	3	3 -1
114350-11120	3	4
114350-11340	3	8
	10	30
114350-11470	3	10
114350-12011	4	1
114350-12200	10	33
114350-12201	4	2
	10	33 -1
114350-13523	4	14
114350-13533	4	15
114350-13703	4	16
114350-14401	2	14
114350-14450	2	14 -1
114350-22301	2	3
114350-45201	6	2 A
114350-45320	6	3
114350-45340	6	6 A
114350-53000	7	19 A
114350-55120	8	13 A
114350-59800	8	30
114350-76590	6	43

Parts No.	Fig. No.	Ref. No.
114350-76591	6	43 -1
114350-92301	10	20
114350-92311	10	21
114350-92350	10	22
114351-77500	9	33
114351-77540	9	40
114351-77700	9	35
114353-59060	8	29 B
114354-78300	9	25 -1
114354-78800	9	27
114354-78810	9	26
114360-01452	1	10 A
114360-01453	1	10 A-1
114360-01454	1	10 B
114360-45101	6	1
114360-76050	6	30 A
114360-76250	6	31 A
114360-76510	6	32 A
114362-21590	2	20 A
114362-77010	9	1
114362-77011	9	46
114370-07100	10	39
114370-07110	10	40
114370-45350	6	10 -1
		10 -2
114371-77160	9	52
114371-77170	9	58
114371-79040	9	53
114371-79050	9	54
114371-79060	9	55
114371-79070	9	62
114374-66100	6	23
114374-66120	6	11
114374-66130	6	19
114374-66500	6	13
114380-23100	2	10 B
114381-77110	9	47
114381-77130	9	50
114381-77140	9	51
114381-77150	9	57
114385-77400	9	32 B
114770-61190	5	15 -1
114770-61600	5	18 -1
114770-61610	5	19
114870-11020	3	1 B
114870-13551	4	23
114870-45201	6	2 B
114870-53000	7	19 B
114870-66770	6	29 B
114870-76530	6	34 -1

Parts No. Index

Parts No.	Fig. No.	Ref. No.
114870-76540	6	35 -1
114870-76560	6	36 -1
114870-76570	6	42 B
114870-76580	6	42 C
114870-76620	6	39 -1
114870-76630	6	40 -1
114880-76050	6	30 B
114880-76051	6	30 B-1
114880-76250	6	31 B
114880-76251	6	31 B-1
114880-76510	6	32 B
114880-76511	6	32 B-1
114880-76520	6	33 -1
114880-76550	6	42 A
114881-21590	2	20 B
118200-23200	2	6 -1
119660-77710	9	42
121450-61520	5	13
124550-51350	7	12
124722-59050	8	28
135210-61090	6	48
160110-02220	1	28
		29
160120-76940	6	8
	8	19 A
160310-14550	2	17
160330-92730	10	9
160393-55050	8	8
		40
160520-66290	6	25
160710-55061	8	33
160710-55100	8	2
		41
160710-78710	9	28
160810-76520	6	33
160810-76540	6	35
160810-76580	6	37
160810-76620	6	39
160810-76630	6	40
160840-76530	6	34
160840-76560	6	36
160910-01740	1	12
160910-76580	6	37 -1
160970-77350	9	22
181130-76680	6	41
		41 -1
181130-76700	6	42
		42 -1
183250-55060	8	7
183250-55320	8	16

Parts No.	Fig. No.	Ref. No.
183250-59040	8	26
183250-66050	6	14
183250-66070	6	15
183250-66100	6	16
183350-07120	10	2
183350-51200	7	6
183350-55100	8	9
183350-55120	8	21 B
183350-55130	8	19 B
183350-55170	8	15
183350-55260	8	11
183350-55300	8	12 A
183350-55301	8	12 B
183350-59010	8	24 A
183350-59060	8	29 A
183350-59370	8	27 A
183382-59010	8	24 B
183382-59050	8	27 B
183621-55150	8	42
183720-55210	6	5
	8	10
22137-080000	5	15
22190-160002	1	24 -1
	10	29 -1
22252-000210	2	4
22312-030080	2	9
22312-030160	3	30
	5	4
22312-080120	1	18
22322-030200	5	11 E
		11 F
22351-020006	7	16
22351-030008	7	17
22351-040008	3	19
22360-060000	8	20
22451-060000	6	49
22487-060140	8	21 A
22512-040120	2	22
22512-070360	2	18
23414-120000	8	43
23414-120016	8	5
23871-010000	1	17
23887-120002	8	6
		44
24101-062024	2	24
24101-062060	1	30
24162-152112	1	31
24311-000180	1	13
	10	27
24311-000400	8	22

Parts No.	Fig. No.	Ref. No.
24341-000150	8	17
24341-000224	5	9
	10	38
26022-050102	8	23
26023-040102	9	43 A
		43 B-1
26106-060082	4	17
	6	46
26106-060122	4	18
	5	10
	6	47
	9	23
		45 B
26106-060162	5	17
26106-060202	9	44
26106-060252	4	11
		11 -1
	9	45 A
26106-060352	1	19
26106-060452	6	28 -1
26106-060552	3	32
26106-080122	1	32
26106-080202	2	19
26106-080352	1	20 A
		20 B
26106-080452	3	20
26106-100122	1	1 F
26106-100302	9	24
26116-060454	10	16
26116-080454	10	17
26216-080182	3	21
26226-060142	4	10
26226-060182	1	21
26226-060222	1	22
26226-060502	3	22
26226-060552	3	23
26366-060002	1	23
	3	24
	4	12
	8	18
26366-080002	4	19
26476-060142	5	5
	6	27
	9	29
26476-060202	6	9
	9	30
26476-060252	6	10
26476-060452	6	28
26557-040162	6	24
26577-060142	9	31

Parts No.	Fig. No.	Ref. No.
26696-100002	6	22
		29 A
26716-060002	10	18
26716-080002	10	19
26756-060002	3	14
		17
26757-060002	6	21
27310-060000	3	6 -1
28110-100120	10	10
28110-140170	10	11
28210-000150	10	12
29220-083200	9	36
29411-150000	9	41
43400-500490	1	24
	10	29
514354-78110	9	25
713471-01560	1	1 B
714250-12560	4	4
714250-61700	5	12 A
714350-22502	2	2
714350-22541	2	26
714350-22542	2	26 -1
714350-22550	2	28
714350-23600	2	10
714350-23610	2	29
714350-23620	2	31
714350-23704	2	5
714350-28511	2	23 A
714350-28520	2	23 B
714350-53100	7	18 A
714350-61500	5	11
714350-92602	10	23
714350-92610	10	23 -1
714351-01564	1	1 A
714360-14580	2	11 A
714360-22580	2	27 A
714360-22625	2	25 A
714360-22626	2	25 A-1
714360-22725	2	1 A
714361-21711	2	15 A
714361-21712	2	15 A-1
714361-21721	2	15 B
714361-21722	2	15 B-1
714370-11660	3	15 -1
714380-22580	2	27 B
714380-22620	2	25 B
714380-22720	2	1 B
714380-23600	2	10 -1
714380-23610	2	29 -1
714380-23620	2	31 -1

Parts No. Index

Parts No.	Fig. No.	Ref. No.
714380-23700	2	5 -1
714770-61700	5	12 B
714870-28510	2	23 B-1
714870-53100	7	18 B
714880-14580	2	11 B
783350-51701	7	1
783350-55700	8	1
783350-55720	8	31
X211412105	9	5
X211416603	9	14
X2114274200	9	63
X211427501	9	18
X2114275010	9	60
X21142835	9	21
X21143215	9	7
X211445508	9	13
X2114455080	9	56
X21145312	9	6
X21145352	9	9
		15
X211456013	9	17
X2114560130	9	59
X21145867	9	20
X211461104	9	2
X211468005	9	19
X2114680050	9	61
X21147155	9	4
X2114715500	9	49
X211473002	9	8
X211478006	9	16
X21148110	9	3
X2114811000	9	48
X21148313	9	11
X211489001	9	10
X21149314	9	12

Parts No.	Fig. No.	Ref. No.
-----------	----------	----------

Parts No.	Fig. No.	Ref. No.
-----------	----------	----------

Parts No.	Fig. No.	Ref. No.
-----------	----------	----------