

OCD10-M54400EN

## Directions for the Parts Catalog.

1. This Parts Catalog shows both standard and optional parts.
2. Parts may change without prior notice.
3. The following is an example of the Parts Catalog format.

REF.	LEV.	PARTS NO.	DESCRIPTION	Q'TY						I	R
				(A)	(B)	(C)	(D)	(E)	(F)		
1	1	729595-51390	FUEL INJECTION PUMP	1	1	1	1	1			1
1-1	1	729595-51391	FUEL INJECTION PUMP	1	1	1	1	1		N	1
		(A=E00185) (B=E00200)									
3	2	26022-060162	SCREW M 6X 16	9	9	9	9	9			
3-1	2	26022-060162	SCREW M 6X 16	4	4	4	4	4		K	
		(A=E00156) (B=E00156) (C=E00156) (D=E00156) (E=E00156)									
4	2	129470-51040	CAMSHAFT	1	1	1	1	1			
5	2	122710-51050	BEARING, ROLLER	2	2	2	2	2			
6	2	129470-51060	RETAINER	1	1	1	1	1			

Remarks
(1) BOOST COMPEMSATOR TYPE. OPTIONAL PART, TO E00155,(4JH-DT, 4JH-DTZ

### ① Ref. No.

The Ref. No. listed may not be in accordance with the illustration Ref. No.

(Ex.) Illustration No.

List Ref No.

1

1

(Before change)

1-1

(After change)

For interchangeable symbols N, R and K, illustrations for new parts may be abbreviated.

### ② Lev. (Level)

Level indication

The numbers below indicate the level of relativity towards the main part.

1 ----- Main parts (Assembly parts)

2 ----- Sub component included in " 1 ".

3 ----- Sub component included in " 2 ".

Note) Parts that are not for sale are partially illustrated but not listed.

### ③ Interchangeability Symbol

When a part change takes place, one of the following interchangeability symbols is indicated beside the part.

Symbol	Interchangeability	Contents note
N	Old $\begin{matrix} \leftarrow \text{Yes} \\ \text{No} \rightarrow \end{matrix}$ New	New Part is interchangeable for Old Part but Old Part is not interchangeable for New Part.
Q	Old $\begin{matrix} \leftarrow \text{No} \\ \text{Yes} \rightarrow \end{matrix}$ New	New Part is not interchangeable for Old Part but Old Part is interchangeable for New Part.
R	Old $\begin{matrix} \leftarrow \text{Yes} \\ \text{Yes} \rightarrow \end{matrix}$ New	New/ Old Parts are both interchangeable.
S	Old $\begin{matrix} \leftarrow \text{No} \\ \text{No} \rightarrow \end{matrix}$ New	New/ Old Parts are both not interchangeable.
W		Part newly added.
Z		Part discontinued.
F		Not interchangeable by a single part but interchangeable together with related parts.
K		Changes only for used parts quantities.

### ④ Effective Machine No.

When a part changes, the effective Machine No. will be indicated in the (A)-(F) column.

Product Symbol	Product No.	Product Symbol	Product No.
C	Clutch No. Compressor No.	F	Machine No. (Agricultural Equip.)
D	Drive No.	M	Machine No.
E	Engine No.		

Note 1) A date may follow the symbol. (Ex.) 1996.01

Note 2) "XXXXX" and "ZZZZZ" are for parts that could not be predicted or for engine models that could not be identified.

Note 3) (A=E00185) is the E (Engine Serial Number) for the column (A) model (in this case 4JH-DT) after the parts design change.

### ⑤ Remarks

Figures or alphabets (symbols) are entered in the remarks column.

The comments (remarks) on parts that are indicated at the bottom of the illustration are the same symbols as those stated above.

# Contents

Fig. No.    Fig. Name

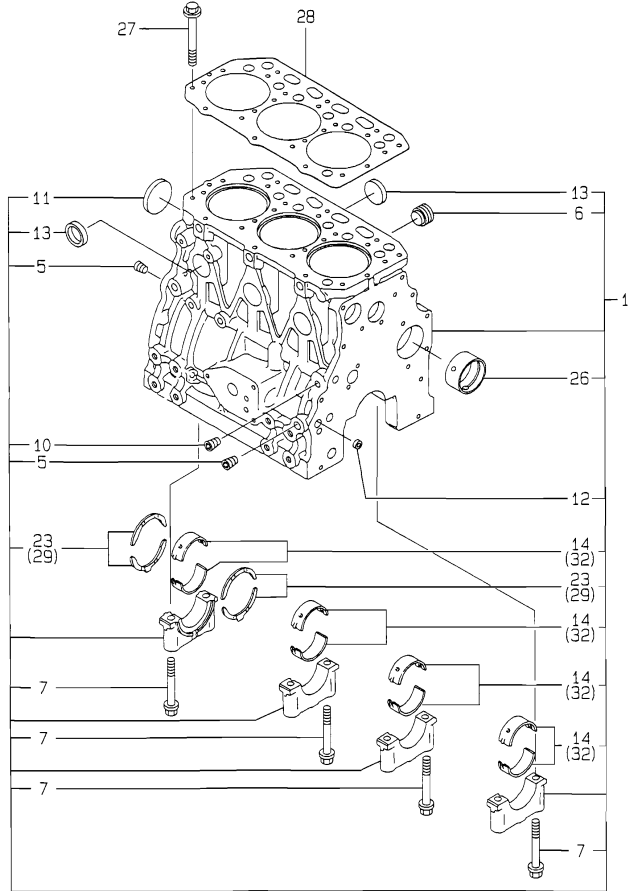
3TNE84T-NR

1. CYLINDER BLOCK
2. GEAR HOUSING
3. FLYWHEEL HOUSING & OIL SUMP
4. CYLINDER HEAD & BONNET
5. SUCTION MANIFOLD & AIR CLEANER
6. EXHAUST MANIFOLD
7. TURBINE
8. CAMSHAFT & DRIVING GEAR
9. CRANKSHAFT & PISTON
10. LUB.OIL SYSTEM
11. LUB.OIL LINE
12. COOLING WATER SYSTEM
13. FUEL INJECTION PUMP
14. GOVERNOR
15. FUEL INJECTION VALVE
16. FUEL LINE
17. STARTING MOTOR
18. GENERATOR
19. ELECTRIC PARTS
20. GASKET SET

Fig. No.    Fig. Name

# Fig.1. CYLINDER BLOCK

Y00D5440  
3TNE84T-NR



(A)=3TNE84T-NR

(B)=

(C)=

(D)=

(E)=

(F)=

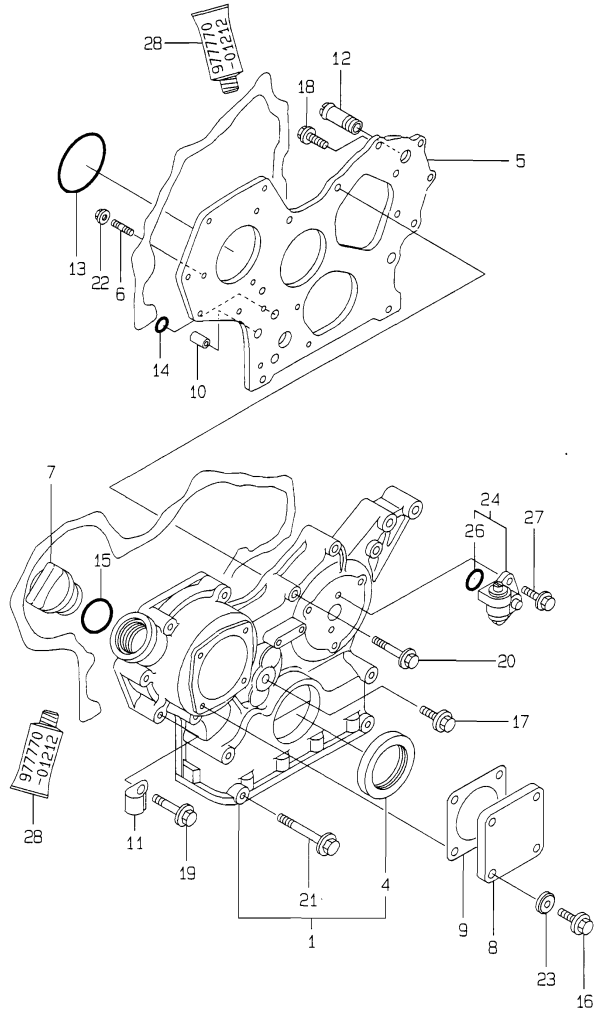
No.	Lev.	Parts No.	Description	Q'ty						I	R
				(A)	(B)	(C)	(D)	(E)	(F)		
1	1	729012-01560	BLOCK ASSY, CYLINDER	1							
5	2	124160-01910	PLUG, PT1/4	3							
6	2	171051-01921	PLUG, NPTF1	1							
7	2	129150-02020	BOLT, METAL CAP	8							
10	2	23871-010000	PLUG, R01	1							
11	2	27231-500000	PLUG 50	1							
12	2	27241-120000	PLUG, 12	2							
13	2	27241-300000	PLUG 30	6							
14	2	129001-02800	BEARING, MAIN	4							
23	2	129150-02930	BEARING, THRUST	2							
26	2	129795-02411	BUSH, CAMSHAFT	1							
27	1	129150-01200	BOLT, HEAD	14							
28	1	129002-01331	GASKET, HEAD	1							
29	1	129150-02940	BEARING, THRUST 0.25	2							1
32	1	129150-02870	BEARING, 0.25 US	4							2

**Remarks**

- (1) OVER-SIZE(O.S=0.25)PART.
- (2) UNDER-SIZE(U.S=0.25)PART.

Fig.2. GEAR HOUSING

Y00D5440  
3TNE84T-NR



(A)=3TNE84T-NR

(B)=

(C)=

(D)=

(E)=

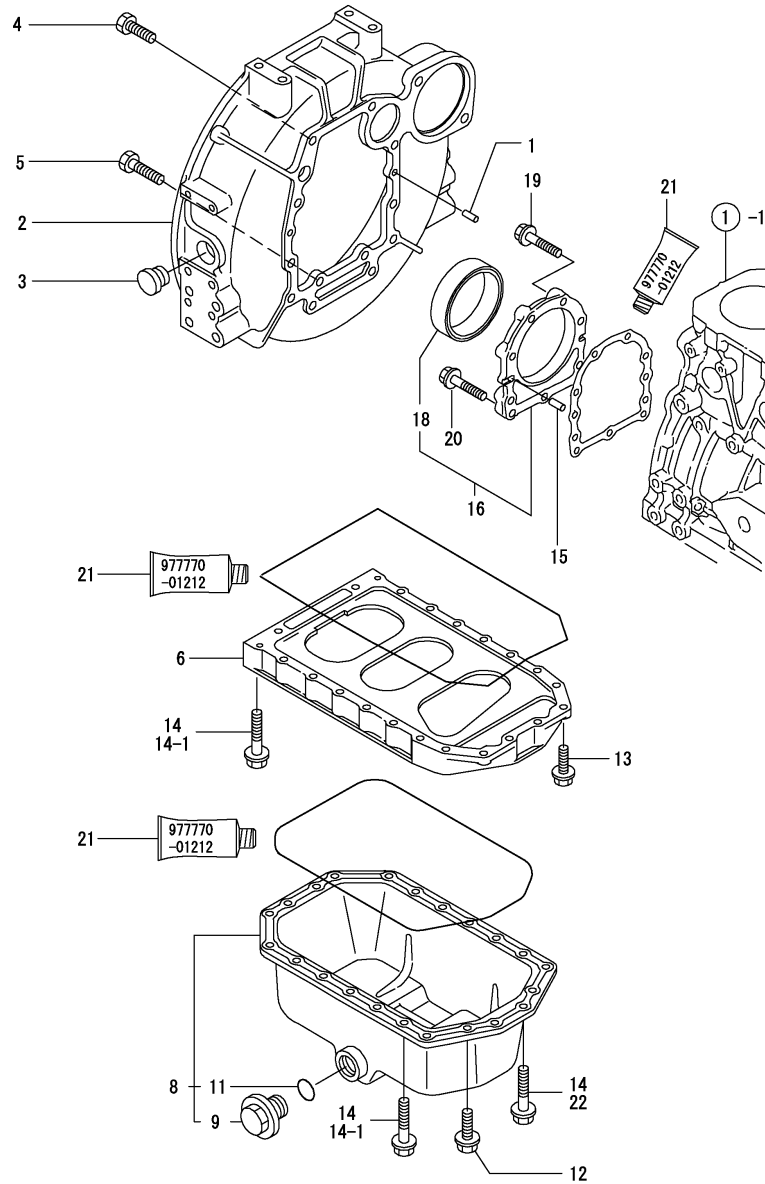
(F)=

No.	Lev.	Parts No.	Description	Q'ty						I	R
				(A)	(B)	(C)	(D)	(E)	(F)		
1	1	719810-01500	CASE ASSY, GEAR	1							
4	2	129795-01800	SEAL, OIL	1							
5	1	129103-01530	FLANGE, GEAR CASE	1							
6	1	121450-01560	STUD, M8X22	3							
7	1	124160-01751	COVER, FILLER	1							
8	1	124240-01871	COVER	1							
9	1	124240-01883	GASKET	1							
10	1	129795-01950	PIPE, KNOCK L=18	2							
11	1	129150-03100	RETAINER, PIPE	1							
12	1	129122-44480	JOINT	1							
13	1	121850-51960	O-RING	1							
14	1	24311-000160	O-RING, 1AP16.0	2							
15	1	24311-000320	O-RING, 1AP32.0	1							
16	1	26106-080122	BOLT, M8X 12 PLATED	4							
17	1	26106-080162	BOLT, M8X 16 PLATED	1							
18	1	26106-080202	BOLT, M8X 20 PLATED	2							
19	1	26106-080452	BOLT, M8X 45 PLATED	6							
20	1	26106-080552	BOLT, M8X 55 PLATED	3							
21	1	26106-080852	BOLT, M8X 85 PLATED	4							
22	1	26366-080002	NUT, M8	3							
23	1	22190-080002	WASHER, SEAL 6	4							
24	1	129150-91400	GEAR	1							
26	2	24341-000240	O-RING, 1AS24.0	1							
27	1	26106-060162	BOLT, M6X 16 PLATED	2							
28	1	97770-01212	GASKET, LIQUID	1							1

Remarks

(1) OPTIONAL PART.

Fig.3. FLYWHEEL HOUSING & OIL SUMP



(A)=3TNE84T-NR

(B)=

(C)=

(D)=

(E)=

(F)=

No.	Lev.	Parts No.	Description	Q'ty						I	R
				(A)	(B)	(C)	(D)	(E)	(F)		
1	1	129100-01580	PIN, M8X16	2							
2	1	171440-01600	HOUSING, FLYWHEEL	1							
3	1	119620-01750	CAP	1							
4	1	26206-100252	BOLT, M10X 25 PLATED	6							
5	1	26206-100302	BOLT, M10X 30 PLATED	4							
6	1	129100-01730	SPACER, OIL SUMP	1							
8	1	129100-01760	SUMP ASSY, OIL	1							
9	2	171301-01640	PLUG, 22	1							
11	2	24341-000250	O-RING, 1AS25.0	1							
12	1	26106-080162	BOLT, M8X 16 PLATED	4							
13	1	26106-080252	BOLT, M8X 25 PLATED	2							
14	1	26106-080452	BOLT, M8X 45 PLATED	20							
14-1	1	26106-080452	BOLT, M8X 45 PLATED	16							K
(A=FROM 1ST)											
15	1	129100-01580	PIN, M8X16	2							
16	1	129100-01640	CASE ASSY, OIL SEAL	1							
18	2	129795-01780	SEAL, OIL	1							
19	1	129486-01670	BOLT, M8X30	6							
20	1	26106-080352	BOLT, M8X 35 PLATED	3							
21	1	977770-01212	GASKET, LIQUID	1							1
22	1	26106-080502	BOLT, M8X 50 PLATED	4							W
(A=FROM 1ST)											

Remarks

(1) OPTIONAL PART.

Fig.4. CYLINDER HEAD & BONNET

(A)=3TNE84T-NR

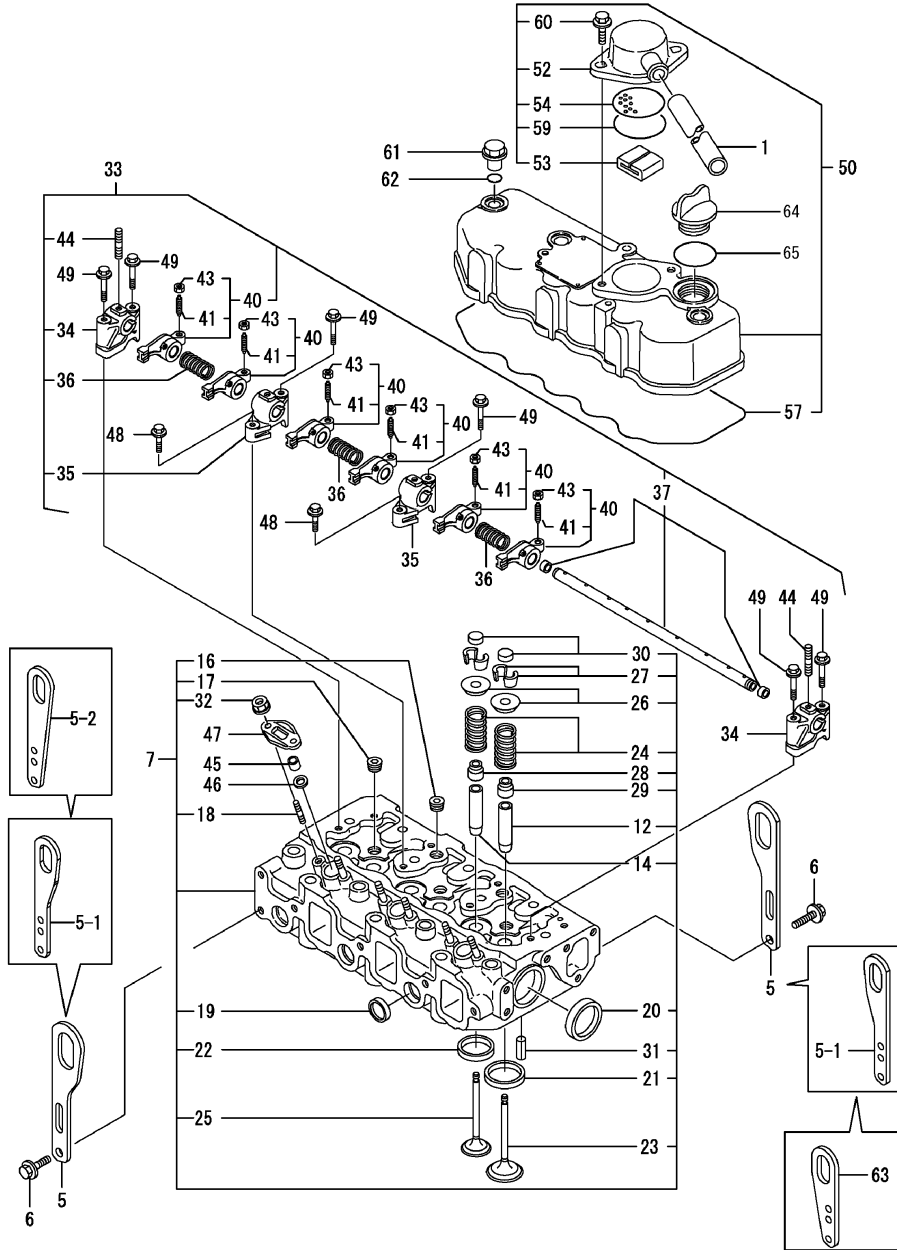
(B)=

(C)=

(D)=

(E)=

(F)=

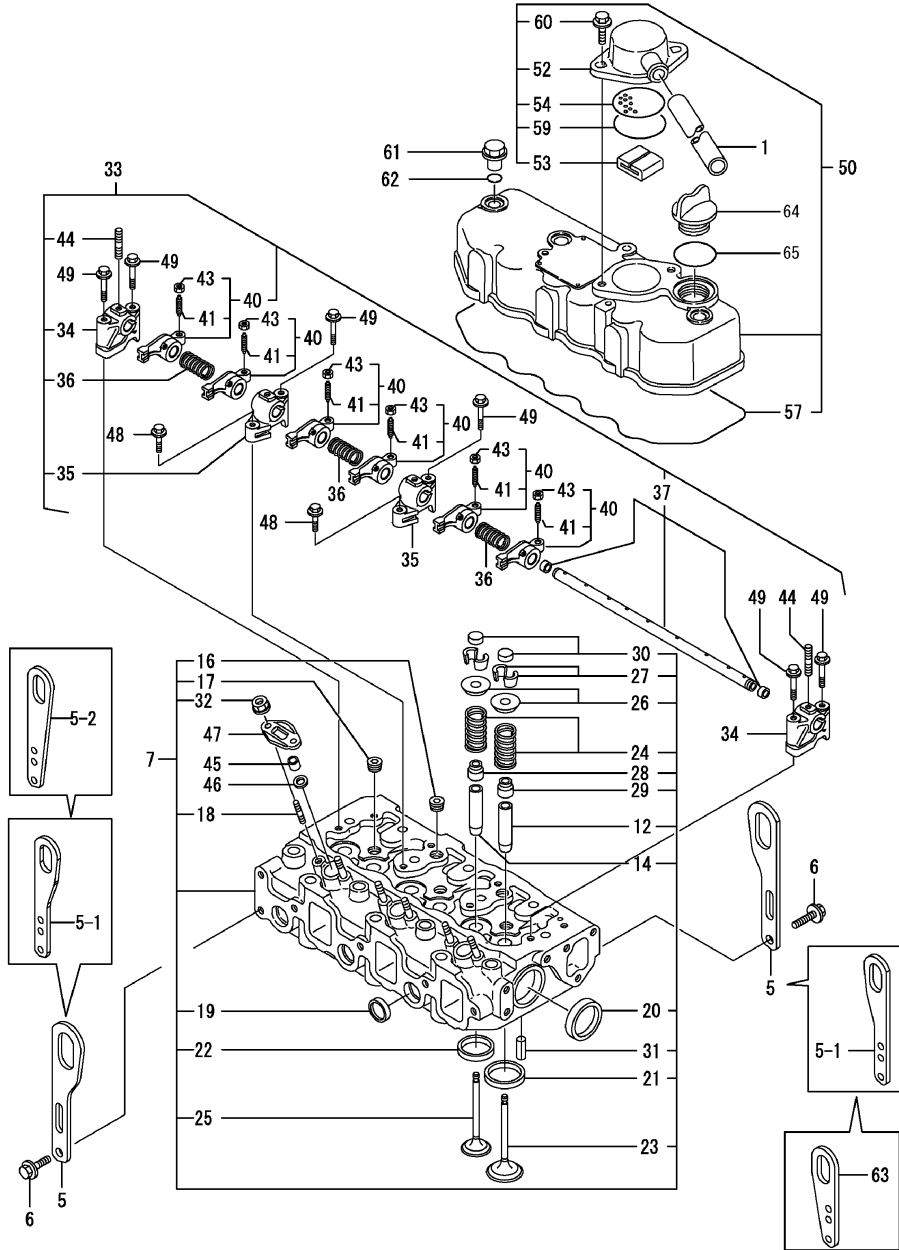


No.	Lev.	Parts No.	Description	Q'ty						I	R
				(A)	(B)	(C)	(D)	(E)	(F)		
1	1	171350-03090	PIPE , BREATHER 900	1							
5	1	124736-07900	LIFTER	2							
5-1	1	129604-07900	LIFTER	2							N
(A=*2009.05)											
5-2	1	129900-07900	LIFTER	1							N
(A=*2009.08)											
6	1	26106-080142	BOLT, M8X 14 PLATED	4							
7	1	729202-11710	HEAD ASSY, CYLINDER	1							
12	2	120130-11860	GUIDE, VALVE	3							1
14	2	129150-11810	GUIDE, VALVE	3							1
16	2	23871-020000	PLUG, R02	2							
17	2	23871-030000	PLUG, R03	3							
18	2	26216-060202	STUD, M6X 20	6							
19	2	27241-220000	PLUG, 22	3							
20	2	27241-400000	PLUG, 40	2							
21	2	129470-11080	SEAT, INTAKE VALVE	3							
22	2	129470-11090	SEAT, EXHAUST VALVE	3							
23	2	129100-11100	VALVE, INTAKE	3							
24	2	129795-11120	SPRING, VALVE	6							
25	2	129100-11130	VALVE, EXHAUST	3							
26	2	129795-11180	RETAINER, SPRING	6							
27	2	27310-080001	COTTER, 8	6							
28	2	121400-11340	SEAL, VALVE STEM	3							
29	2	124460-11340	SEAL, VALVE STEM	3							
30	2	129150-11370	CAP, VALVE	6							
31	2	22351-060012	PIN, SPRING 6.0X12	2							
32	2	26366-060002	NUT, M6	6							
33	1	129155-11241	SHAFT ASSY, ROCKER	1							
34	2	129155-11260	SUPPORT, ROCKER ARM	2							
35	2	129155-11270	SUPPORT, ROCKER ARM	2							
36	2	129150-11280	SPRING	3							
37	2	129150-11290	SHAFT, ROCKER ARM	1							
40	2	729402-11650	ARM ASSY, ROCKER	6							
41	3	129150-11230	SCREW, VALVE ADJUST	6							
43	3	129150-11750	NUT, M8	6							
44	2	26226-080182	STUD, M8X 18	3							
45	1	119625-11871	PROTECTOR, NOZZLE	3							
46	1	119625-11880	SEAT, NOZZLE	3							
47	1	119625-11900	RETAINER, NOZZLE	3							
48	1	26106-080252	BOLT, M8X 25 PLATED	2							
49	1	26106-080502	BOLT, M8X 50 PLATED	6							
50	1	129100-11350	BONNET ASSY, HEAD	1							
52	2	129150-03020	COVER, BREATHER	1							
53	2	129150-03070	BAFFLE, BREATHER	1							
54	2	129150-03080	PLATE, BAFFLE	1							
57	2	129150-11310	GASKET, BONNET	1							
59	2	24341-000500	O-RING, 1AS50.0	1							
60	2	26106-080162	BOLT, M8X 16 PLATED	2							
61	1	124160-11360	KNOB	3							
62	1	24311-000120	O-RING, 1AP12.0	3							
63	1	119226-07900	LIFTER	1							W

Remarks

(1) REPAIR PART.

Fig.4. CYLINDER HEAD & BONNET



(A)=3TNE84T-NR  
 (B)=  
 (C)=

(D)=  
 (E)=  
 (F)=

No.	Lev.	Parts No.	Description	Q'ty						I	R
				(A)	(B)	(C)	(D)	(E)	(F)		
		(A=*2009.08)									
64	1	124160-01751	COVER, FILLER	1							
65	1	24311-000320	O-RING, 1AP32.0	1							

---

---

---

---

---

---

---

---

---

---

---

---

---

---

---

---

---

---

---

---

---

---

---

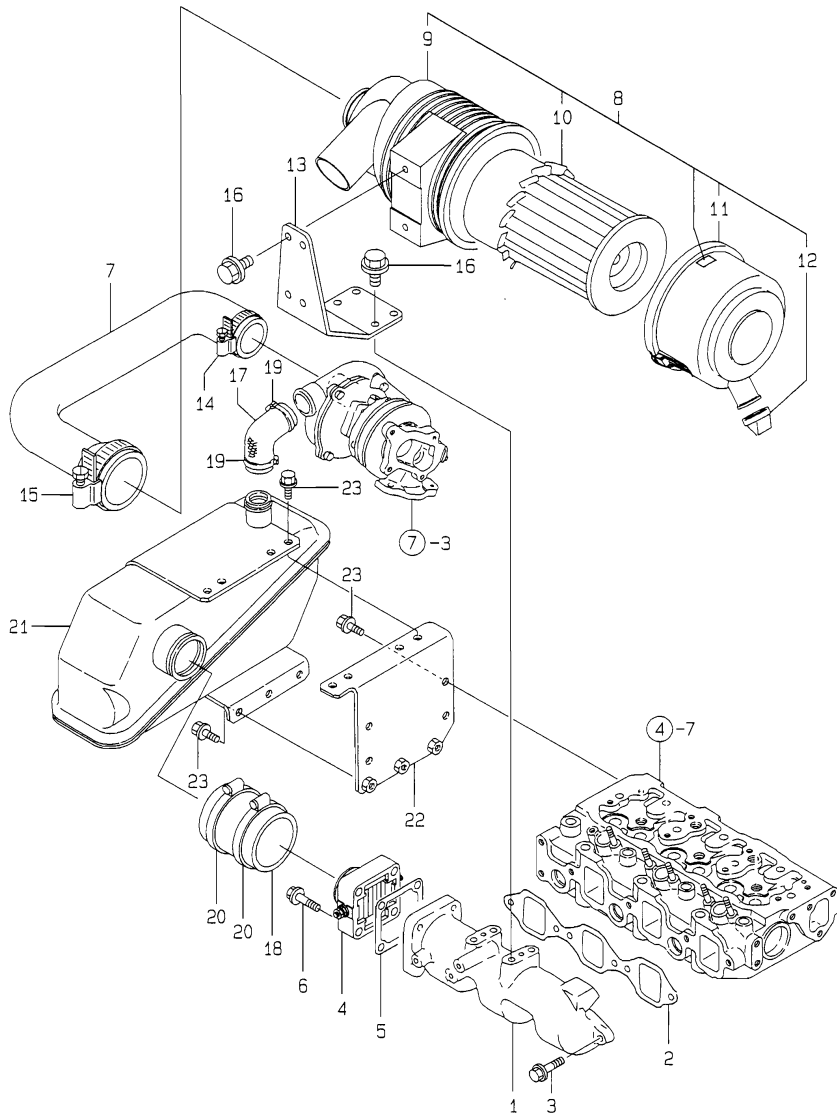
---

Remarks  
 (1) REPAIR PART.



Fig.5. SUCTION MANIFOLD & AIR CLEANER

Y0005440  
3TNE84T-NR



(A)=3TNE84T-NR

(B)=

(C)=

(D)=

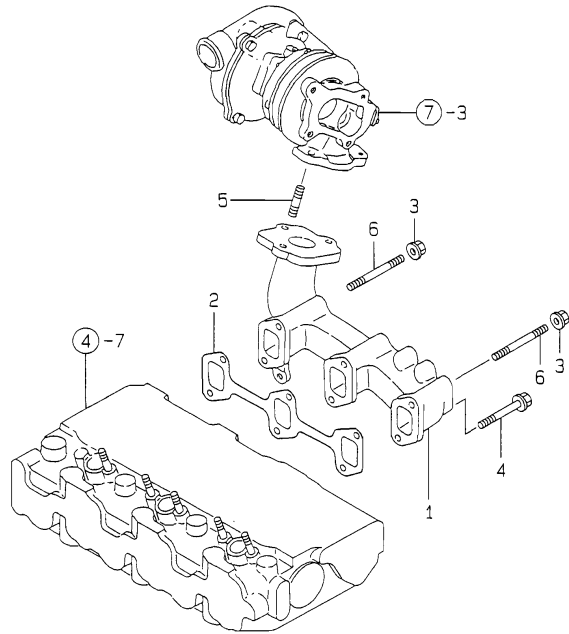
(E)=

(F)=

No.	Lev.	Parts No.	Description	Q'ty						I	R
				(A)	(B)	(C)	(D)	(E)	(F)		
1	1	129122-12100	MANIFOLD, AIR INTAKE	1							
2	1	129150-12111	GASKET, MANIFOLD	1							
3	1	26106-080252	BOLT, M8X 25 PLATED	4							
4	1	129120-77501	HEATER	1							
5	1	129150-77511	GASKET	1							
6	1	26106-080352	BOLT, M8X 35 PLATED	4							
7	1	129188-12071	PIPE, AIR INTAKE	1							
8	1	129619-12500	CLEANER ASSY, AIR	1							
9	2	129619-12510	BODY	1							
10	2	119808-12520	ELEMENT	1							
11	2	119808-12530	COVER	1							
12	2	119808-12540	VALVE, UNLOADER	1							
13	1	129619-12560	BRACKET, AIR CLEANER	1							
14	1	23000-048000	CLAMP, 48	1							
15	1	23000-060000	CLAMP, 60	1							
16	1	26106-080182	BOLT, M8X 18 PLATED	6							
17	1	129139-12050	HOSE, WATER	1							
18	1	129122-12060	HOSE	1							
19	1	23000-041000	CLAMP, 41	2							
20	1	23000-060000	CLAMP, 60	2							
21	1	129139-12200	TANK, SURGE	1							
22	1	129122-12211	BRACKET	1							
23	1	26106-080162	BOLT, M8X 16 PLATED	11							

# Fig.6. EXHAUST MANIFOLD

Y00D5440  
3TNE84T-NR



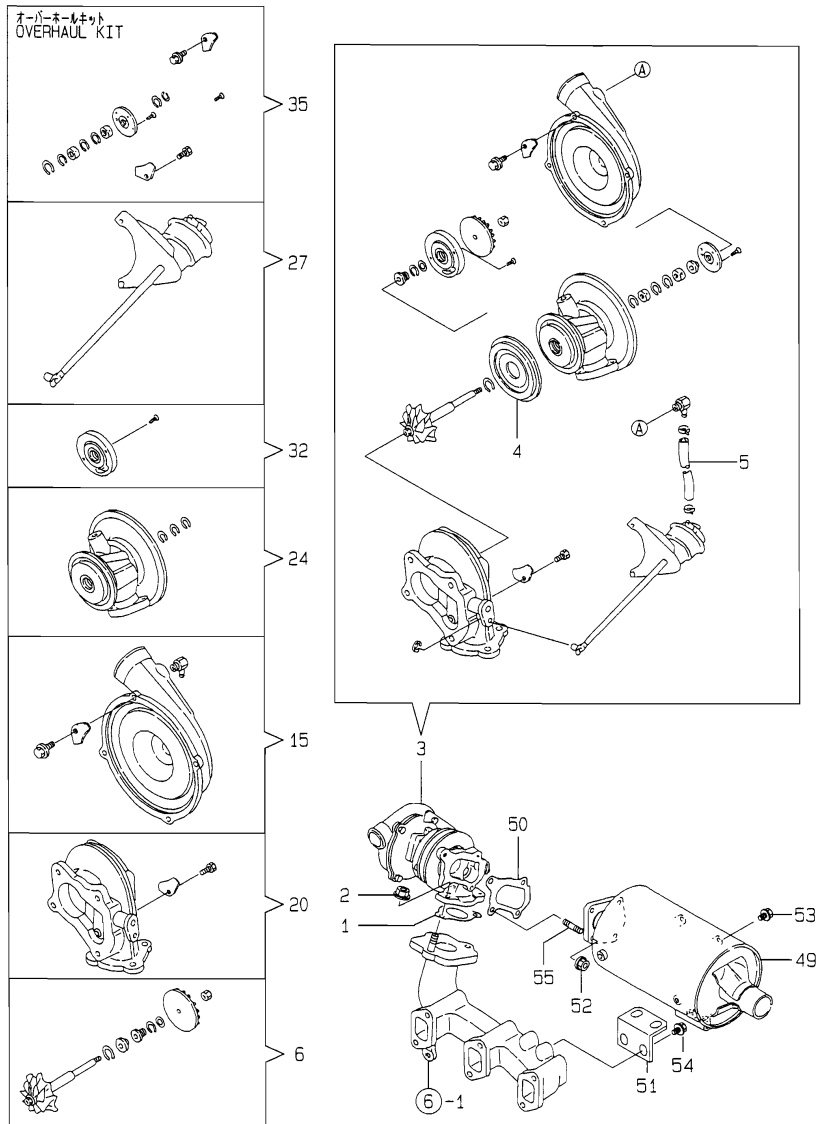
(A)=3TNE84T-NR  
(B)=  
(C)=

(D)=  
(E)=  
(F)=

No.	Lev.	Parts No.	Description	Q'ty						I	R
				(A)	(B)	(C)	(D)	(E)	(F)		
1	1	129139-13100	MANIFOLD, EXHAUST	1							
2	1	129150-13110	GASKET	1							
3	1	194990-22050	NUT, M8	2							
4	1	26106-080802	BOLT, M8X 80 PLATED	4							
5	1	26216-080222	STUD, M8X 22	3							
6	1	26216-080802	STUD, M8X 80	2							

# Fig.7. TURBINE

Y00D5440  
3TNE84T-NR



(A)=3TNE84T-NR

(B)=

(C)=

(D)=

(E)=

(F)=

No.	Lev.	Parts No.	Description	Q'ty						I	R
				(A)	(B)	(C)	(D)	(E)	(F)		
1	1	129477-18101	GASKET	1							
2	1	194990-22050	NUT, M8	3							
3	1	129137-18010	TURBINE, RHB31W/G	1							
4	2	129403-18720	PROTECTOR, HEAT	1							
5	2	129403-18750	HOSE	1							
6	2	129403-18770	ROTOR ASSY, TURBO	1							
15	2	129403-18780	HOUSING ASSY, BLOWER	1							
20	2	XNB139825	HOUSING ASSY, TURBO	1							
24	2	129403-18800	HOUSING ASSY	1							
27	2	XNB139826	CONTROL ASSY	1							
32	2	XNB139815	SEAL PLATE ASSY	1							
35	2	XNB139827	OVERHAUL KIT	1							
49	1	129188-13500	SILENCER	1							
50	1	129403-18091	GASKET	1							
51	1	129012-18150	BRACKET, SILENCER	1							
52	1	194990-22050	NUT, M8	4							
53	1	26106-080122	BOLT, M8X 12 PLATED	4							
54	1	26106-080142	BOLT, M8X 14 PLATED	4							
55	1	26216-080222	STUD, M8X 22	4							

# Fig.8. CAMSHAFT & DRIVING GEAR

(A)=3TNE84T-NR

(B)=

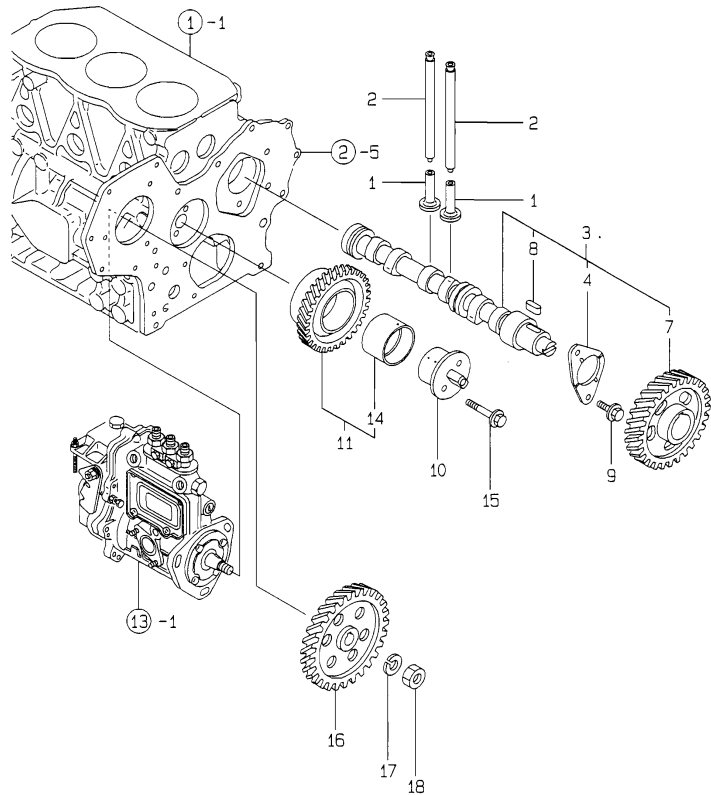
(C)=

(D)=

(E)=

(F)=

Y00D5440  
3TNE84T-NR



No.	Lev.	Parts No.	Description	Q'ty						I	R
				(A)	(B)	(C)	(D)	(E)	(F)		
1	1	129150-14200	TAPPET	6							
2	1	129150-14400	ROD, PUSH L=178	6							
3	1	129129-14580	CAMSHAFT ASSY	1							
4	2	129150-02450	BEARING, THRUST	1							
7	2	129150-14101	GEAR, CAMSHAFT	1							
8	2	22512-070140	KEY, 7X 14	1							
9	1	26106-080142	BOLT, M8X 14 PLATED	2							
10	1	129100-25061	SHAFT, IDLE	1							
11	1	129150-25101	GEAR ASSY, IDLE	1							
14	2	129150-25920	BUSH, IDLE GEAR	1							1
15	1	26106-080452	BOLT, M8X 45 PLATED	2							
16	1	129150-25900	GEAR, PUMP	1							
17	1	22217-120000	WASHER, SPRING 12	1							
18	1	26716-120002	NUT, M12	1							

Remarks

(1) REPAIR PART.

# Fig.9. CRANKSHAFT & PISTON

(A)=3TNE84T-NR

(B)=

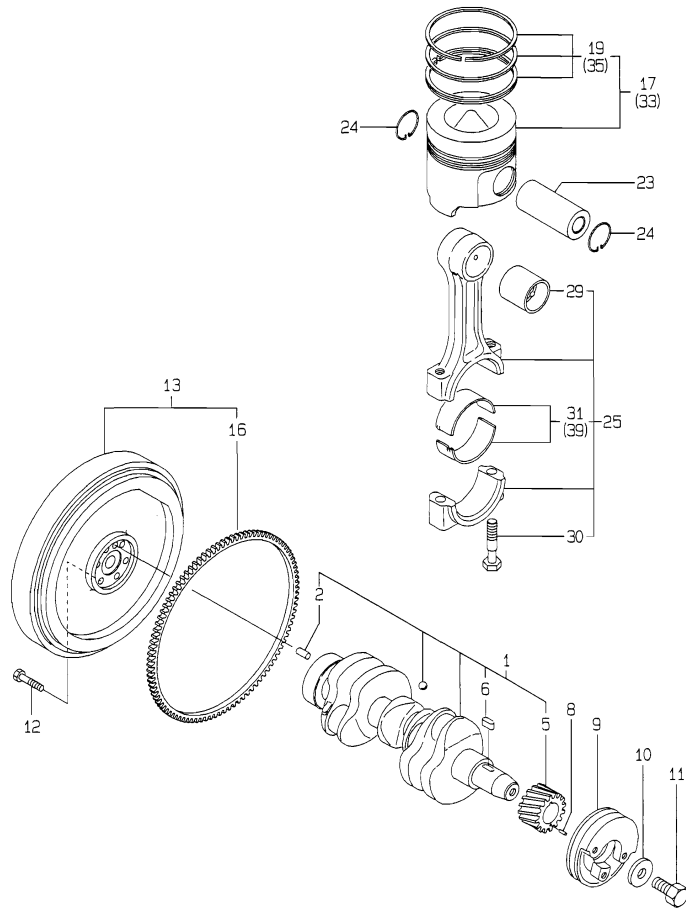
(C)=

(D)=

(E)=

(F)=

Y00D5440  
3TNE84T-NR



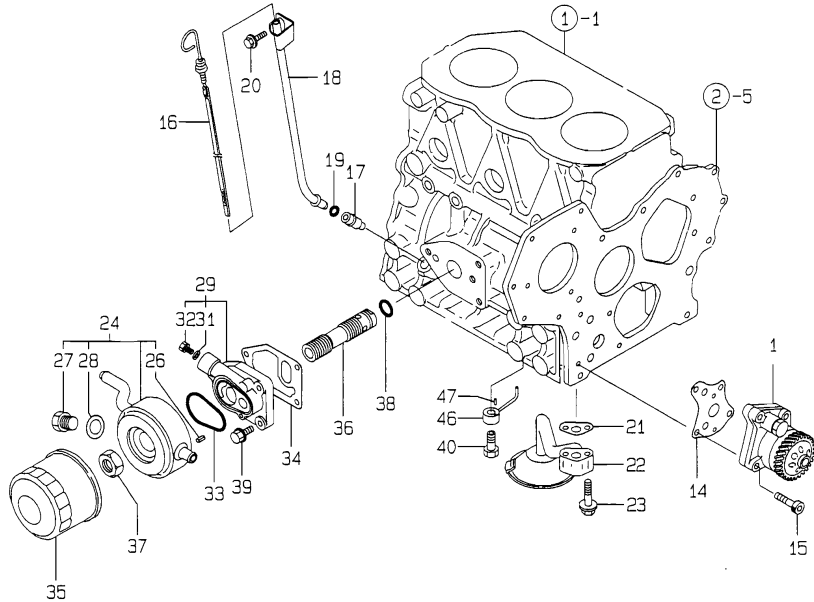
No.	Lev.	Parts No.	Description	Q'ty						I	R
				(A)	(B)	(C)	(D)	(E)	(F)		
1	1	129001-21000	CRANKSHAFT ASSY	1							
2	2	129100-01580	PIN, M8X16	1							
5	2	129150-21200	GEAR, CRANKSHAFT	1							
6	2	22512-070140	KEY, 7X 14	1							
8	1	22351-040010	PIN, SPRING 4.0X10	1							
9	1	171340-21650	V-PULLEY	1							
10	1	129795-21661	WASHER	1							
11	1	121850-21680	BOLT	1							
12	1	121111-21501	BOLT, FLYWHEEL	6							
13	1	171350-21590	FLYWHEEL ASSY	1							
16	2	124550-21600	GEAR, RING	1							
17	1	129002-22090	PISTON ASSY	3							
19	2	129002-22510	RING SET, PISTON	3							
23	1	129202-22300	PIN, PISTON D26 L70	3							
24	1	22252-000260	RING, 26	6							
25	1	729402-23100	ROD ASSY, CONNECTING	3							
29	2	129100-23910	BEARING, PISTON PIN	3							1
30	2	121550-23200	BOLT, CONNECTING ROD	6							
31	2	129150-23600	BEARING, CRANK PIN	3							
33	1	129002-22900	PISTON ASSY, 0.25 OS	3							2
35	2	129002-22950	RING SET, 0.25 OS	3							2
39	1	129150-23610	BEARING, 0.25 US	3							3

Remarks

- (1) REPAIR PART.
- (2) OVER-SIZE(O.S=0.25)PART.
- (3) UNDER-SIZE(U.S=0.25)PART.

# Fig.10. LUB.OIL SYSTEM

Y00D5440  
3TNE84T-NR



(A)=3TNE84T-NR

(B)=

(C)=

(D)=

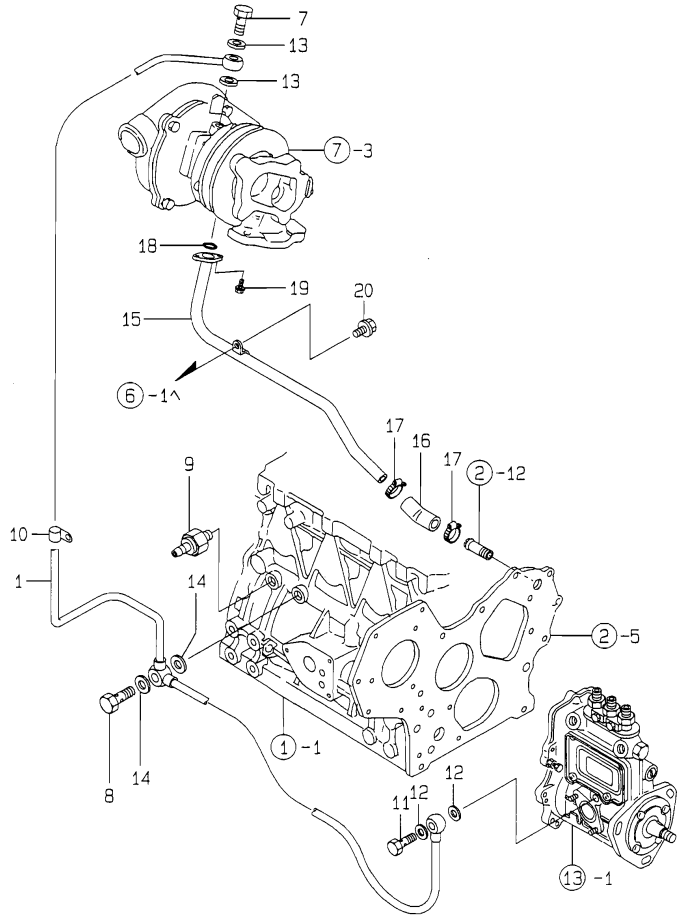
(E)=

(F)=

No.	Lev.	Parts No.	Description	Q'ty						I	R
				(A)	(B)	(C)	(D)	(E)	(F)		
1	1	129418-32000	PUMP ASSY, OIL	1							
14	1	129150-32020	GASKET, PUMP	1							
15	1	26450-060252	BOLT, M6X 25	4							
16	1	129436-34800	DIPSTICK, OIL	1							
17	1	119260-34810	GUIDE, DIPSTICK	1							
18	1	129136-34820	GUIDE, DIPSTICK	1							
19	1	24311-240100	O-RING, 1AP10A	1							
20	1	26106-080252	BOLT, M8X 25 PLATED	1							
21	1	129150-35041	GASKET	1							
22	1	129100-35301	PIPE ASSY, OIL INLET	1							
23	1	26106-080352	BOLT, M8X 35 PLATED	2							
24	1	129012-33000	COOLER ASSY, OIL	1							
26	2	129120-33040	PIN	2							
27	2	129120-33051	PLUG, DRAIN	1							
28	2	129120-33060	GASKET	1							
29	1	129120-35001	BRACKET ASSY	1							
31	2	23414-100000	GASKET, 10X1.0	1							
32	2	23881-100002	PLUG, 10	1							
33	1	129120-35110	GASKET	1							
34	1	129120-35121	GASKET	1							
35	1	129150-35151	FILTER, D80XL80	1							
36	1	129407-35300	BOLT, FILTER	1							
37	1	129150-35350	NUT	1							
38	1	24311-000160	O-RING, 1AP16.0	1							
39	1	26106-080252	BOLT, M8X 25 PLATED	3							
40	1	129792-39410	VALVE ASSY, CHECK	3							
46	1	129553-39650	NOZZLE	3							
47	1	22351-030010	PIN, SPRING 3.0X10	3							

# Fig.11. LUB.OIL LINE

Y00D5440  
3TNE84T-NR



(A)=3TNE84T-NR  
(B)=  
(C)=

(D)=  
(E)=  
(F)=

No.	Lev.	Parts No.	Description	Q'ty						I	R
				(A)	(B)	(C)	(D)	(E)	(F)		
1	1	129139-39030	PIPE ASSY, OIL	1							
7	1	105010-39140	BOLT, PIPE JOINT	1							
8	1	124160-39140	BOLT, PIPE JOINT M10	1							
9	1	121252-39450	SWITCH, 0.5KG	1							
10	1	124223-39900	RETAINER	1							
11	1	124550-59820	BOLT, PIPE JOINT M8	1							
12	1	22190-080002	WASHER, SEAL 6	2							
13	1	23414-080000	GASKET, 8X1.0	2							
14	1	23414-100000	GASKET, 10X1.0	2							
15	1	129139-39601	PIPE, OIL	1							
16	1	129403-39610	JOINT, RUBBER	1							
17	1	23000-022000	CLAMP, 22	2							
18	1	24314-000160	O-RING, 4CP16.0	1							
19	1	26106-060162	BOLT, M6X 16 PLATED	2							
20	1	26106-080122	BOLT, M8X 12 PLATED	1							

Fig.12. COOLING WATER SYSTEM

(A)=3TNE84T-NR

(B)=

(C)=

(D)=

(E)=

(F)=

No.	Lev.	Parts No.	Description	Q'ty						I	R
				(A)	(B)	(C)	(D)	(E)	(F)		
1	1	129103-49301	ELBOW, PT1/4	1							
2	1	129001-42002	PUMP ASSY, WATER	1							
12	2	23871-030000	PLUG, R03				2				
14	1	129100-42020	GASKET, WATER PUMP	1							
15	1	26106-080602	BOLT, M8X 60 PLATED	3							
16	1	25132-003800	V-BELT, A38	1							
17	1	129155-42350	V-PULLEY	1							
18	1	129030-44740	FAN, COOLING D360XUG	1							
19	1	171353-44760	SPACER, FAN	1							
20	1	26106-060352	BOLT, M6X 35 PLATED	4							
21	1	129350-49560	COVER, THERMOSTAT	1							
22	1	129795-49551	GASKET	1							
23	1	129155-49800	THERMOSTAT, 71	1							
24	1	129150-49811	GASKET, THERMOSTAT	1							
25	1	129100-49840	GASKET	1							
26	1	26106-080202	BOLT, M8X 20 PLATED	2							
27	1	129001-42040	JOINT	1							
28	1	24321-000300	O-RING, 1AG30.0	1							
29	1	26106-080162	BOLT, M8X 16 PLATED	3							
30	1	171064-44510	TANK ASSY, SUB	1							
32	2	121450-44531	CAP	1							
33	2	124450-44560	RETAINER	1							
34	2	121470-44581	GASKET	1							
35	2	23065-070225	HOSE 7X 225	1							
36	1	124450-44550	BAND	1							
37	1	121256-44600	BRACKET, SUB TANK	1							
38	1	129122-44480	JOINT	1							
39	1	129012-49030	HOSE, WATER	1							
40	1	129403-49050	PIPE, WATER	1							
41	1	23000-022000	CLAMP, 22	4							
42	1	121450-42450	PLUG, M16	1							
43	1	124465-44950	GASKET, 16	1							
44	1	124250-49351	SENSOR	1							
45	1	129150-49360	GASKET	1							
46	1	171430-44500	RADIATOR	1							
47	2	123682-44210	CAP, RADIATOR	1							
49	1	129411-44560	PROTECTOR, FAN	1							
50	1	129132-44901	COOLER ASSY, OIL	1							
51	1	129012-49010	HOSE	1							
52	1	171420-49020	PIPE, WATER	1							
53	1	129137-49100	JOINT	1							
54	1	121450-49110	COCK ASSY, 3-WAY	1							
56	2	121250-49121	PLUG, DRAIN	1							
57	2	24311-000160	O-RING, 1AP16.0	1							
58	1	171351-49170	HOSE, DRAIN	1							
59	1	23010-038000	CLAMP, 38	4							

Y00D5440  
3TNE84T-NR

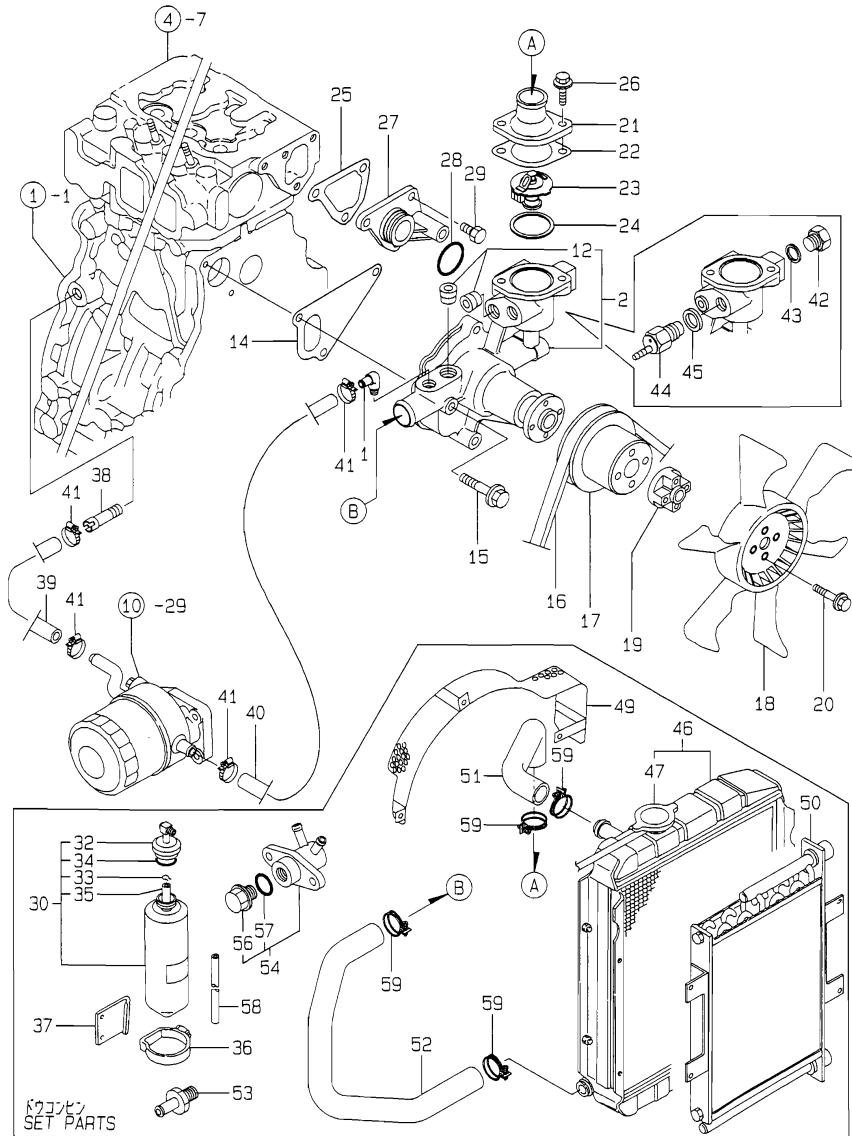




Fig.13. FUEL INJECTION PUMP

(A)=3TNE84T-NR

(B)=

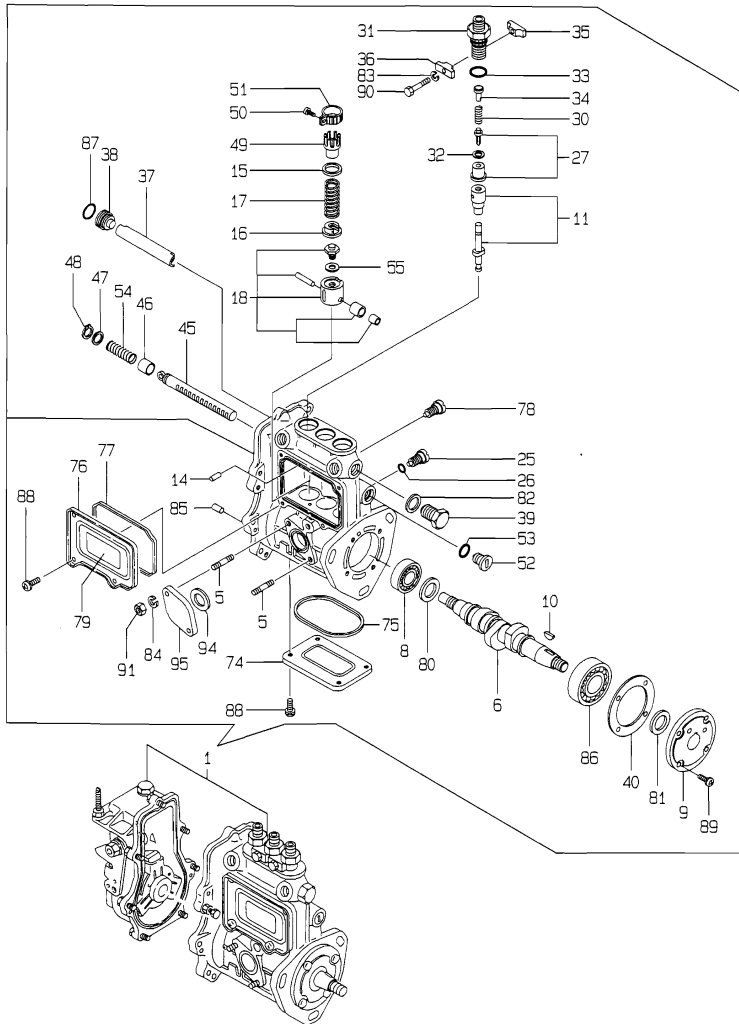
(C)=

(D)=

(E)=

(F)=

Y00D5440  
3TNE84T-NR



No.	Lev.	Parts No.	Description	Q'ty						I	R
				(A)	(B)	(C)	(D)	(E)	(F)		
1	1	729215-51360	PUMP ASSY, INJECTION	1							1
5	2	129155-51020	STUD	2							
6	2	119810-51040	CAMSHAFT	1							
8	2	129155-51050	BEARING, 17BM001D	1							
9	2	129155-51060	SUPPORT, CAMSHAFT	1							
10	2	122710-51090	KEY	1							
11	2	129470-51101	PLUNGER ASSY	3							
14	2	129155-51140	PIN	3							
15	2	174307-51170	RETAINER, SPRING A	3							
16	2	129155-51180	RETAINER, SPRING	3							
17	2	124950-51190	SPRING, PLUNGER	3							
18	2	129155-51200	TAPPET ASSY	3							
25	2	129155-51270	STOPPER, TAPPET	3							
26	2	129155-51280	O-RING, S6	3							
27	2	105300-51300	VALVE ASSY, DELIVERY	3							
30	2	129155-51320	SPRING, DELIVERY	3							
31	2	129155-51340	RETAINER	3							
32	2	124550-51350	GASKET, DELIVERY	3							
33	2	124550-51370	O-RING	3							
34	2	129155-51370	STOPPER, VALVE	3							
35	2	129155-51380	STOPPER	2							
36	2	129155-51390	STOPPER	2							
37	2	129155-51400	DEFLECTOR	1							
38	2	129155-51410	BOLT	1							
39	2	129155-51420	PLUG, M16	1							
40	2	129155-51450	SHIM SET, ADJUSTING	1							
45	2	129155-51500	RACK, CONTROL	1							
46	2	129155-51521	BUSH, RACK	1							
47	2	129155-51530	SPACER	1							
48	2	129155-51540	CIRCLIP	1							
49	2	129155-51550	PINION, CONTROL	3							
50	2	122117-51560	SCREW	3							
51	2	174307-51560	PINION	3							
52	2	129155-51570	PLUG, M12	1							
53	2	129155-51580	O-RING	1							
54	2	129155-51591	SPRING, RACK	1							
55	2	129155-51600	SHIM SET, ADJUSTING	3							
74	2	129155-51700	COVER	1							
75	2	129155-51710	GASKET	1							
76	2	129155-51750	COVER	1							
77	2	129155-51760	GASKET	1							
78	2	129155-51790	STOOPER, RACK	1							
79	2	129156-51910	LABEL, CAUTION	1							
80	2	129155-51930	SPACER, T=3.25	1							
81	2	129155-51940	SPACER, T=1.5	1							
82	2	22190-160002	WASHER, SEAL 16	1							
83	2	22217-050000	WASHER, SPRING 5	2							
84	2	22217-060000	WASHER, SPRING 6	2							
85	2	22351-050010	PIN, SPRING 5.0X10	2							
86	2	24101-063034	BEARING, BALL 6303	1							
87	2	24341-000160	O-RING, 1AS16.0	1							

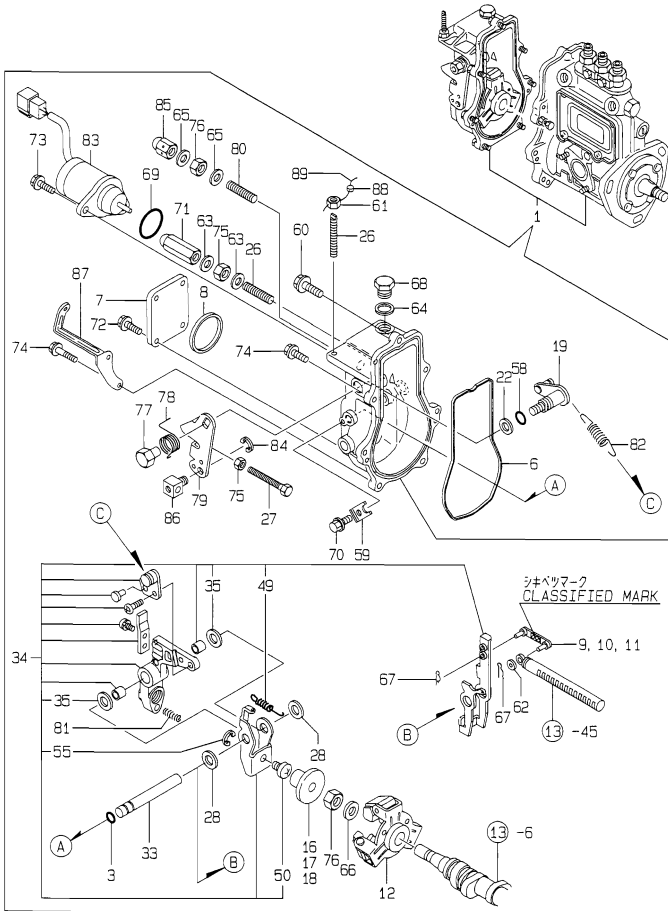
Remarks

(1)GOVERNOR(FIG.14)IS INCORPORATED  
IN THIS FUEL INJECTION PUMP.  
(REF.NO.1).



Fig.14. GOVERNOR

Y00D5440  
3TNE84T-NR



Remarks

- (1) SELECTIVE PARTS: CERTAIN THE CLASSIFICATION MARK, THEN PLACE YOUR ORDER.(REFER TO ILLUSTRATION).
- (2) SELECTIVE PARTS.  
\* THIS FIGURE(GOVERNOR ASSY) IS INCORPORATED IN THE FUEL INJECTION PUMP ASSY(FIG.13).

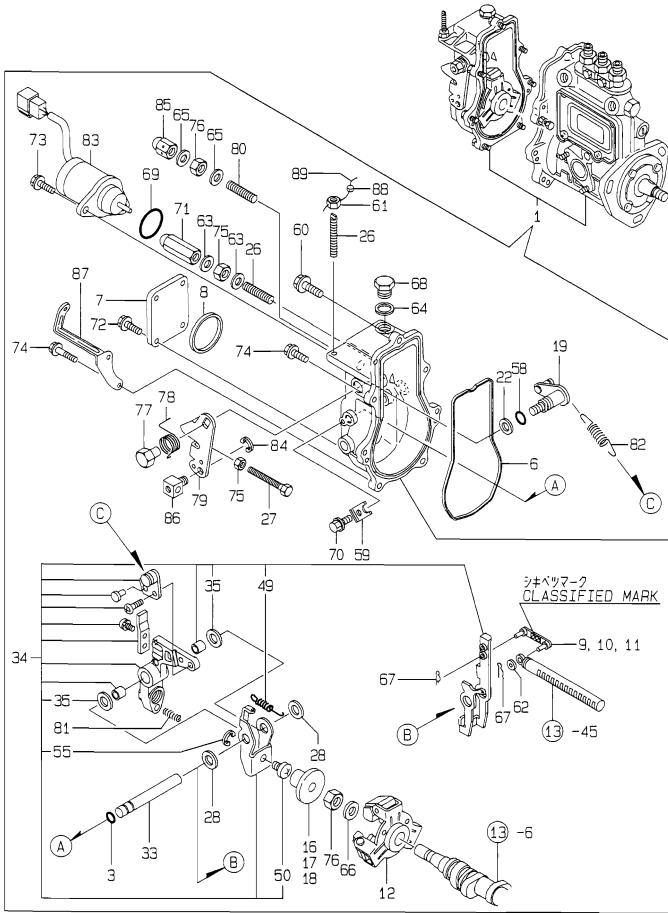
(A)=3TNE84T-NR  
(B)=  
(C)=

(D)=  
(E)=  
(F)=

No.	Lev.	Parts No.	Description	Q'ty						I	R
				(A)	(B)	(C)	(D)	(E)	(F)		
1	1	729215-51360	PUMP ASSY, INJECTION	1							
3	2	129155-51280	O-RING, S6	1							
6	2	129052-61050	GASKET	1							
7	2	129052-61060	COVER, GOVERNOR CASE	1							
8	2	129052-61070	GASKET	1							
9	2	129155-61120	LINK, L=30 MARK 0	1							1
10	2	129155-61130	LINK, L=31 MARK 1	1							1
11	2	129155-61140	LINK, L=30.5 MARK 05	1							1
12	2	129155-61201	WEIGHT ASSY,GOVERNOR	1							
16	2	129155-61341	SLEEVE	1							2
17	2	129155-61350	SLEEVE, L=24.9	1							2
18	2	129155-61360	SLEEVE, L=25.2	1							2
19	2	129100-61400	SHAFT ASSY	1							
22	2	129155-61430	SPACER	1							
26	2	129155-61450	BOLT, LIMITER	2							
27	2	129155-61460	BOLT, IDLE	1							
28	2	129155-61480	SPACER ASSY	2							
33	2	129052-61390	SHAFT	1							
34	2	129052-61500	LEVER ASSY, GOVERNOR	1							
35	3	174307-51700	SHIM SET	2							
49	3	129052-61540	SPRING, SET	1							
50	3	129155-61540	SHIFTER	1							
55	3	22272-000040	RING, E- 4	1							
58	2	129155-61830	O-RING, S10	1							
59	2	119660-61901	RETAINER, SHAFT	1							
60	2	129155-61950	BOLT	1							
61	2	124550-66370	NUT, M6	1							
62	2	22117-040000	WASHER, 4	1							
63	2	22190-060002	WASHER, SEAL 6	2							
64	2	22190-100002	WASHER, SEAL 10	1							
65	2	22190-120002	WASHER, SEAL 12	2							
66	2	22287-120000	WASHER, 12	1							
67	2	22372-040000	PIN, SNAP 4	2							
68	2	23887-100002	PLUG, 10	1							
69	2	24341-000280	O-RING, 1AS28.0	1							
69-1	2	158552-61900	O-RING	1							N
(A=EXXXXX)											
70	2	26106-060102	BOLT, M6X 10 PLATED	1							
71	2	119600-66840	NUT, CAP	1							
72	2	26106-060102	BOLT, M6X 10 PLATED	4							
73	2	26106-060142	BOLT, M6X 14 PLATED	2							
74	2	26106-060202	BOLT, M6X 20 PLATED	6							
75	2	26756-060002	NUT, LOCK M6	2							
76	2	26776-120002	NUT, LOCK M12	2							
77	2	129255-61410	NUT, LOCK	1							
78	2	129255-61420	SPRING, RETURN	1							
79	2	129100-61440	LEVER, CONTROL	1							
80	2	129155-61470	BOLT, CONTROL	1							
81	2	129100-61650	SPRING, CONTROLLER	1							
82	2	171353-61710	SPRING, GOVERNOR	1							
83	2	119233-77930	SOLENOID, STOP	1							

Fig.14. GOVERNOR

Y00D5440  
3TNE84T-NR



(A)=3TNE84T-NR  
(B)=  
(C)=

(D)=  
(E)=  
(F)=

No.	Lev.	Parts No.	Description	Q'ty						I	R
				(A)	(B)	(C)	(D)	(E)	(F)		
84	2	22272-000070	RING, E- 7	1							
85	2	26687-120002	NUT, CAP M12	1							
86	2	124756-67510	RETAINER	1							
87	2	129255-61080	SUPPORT, WIRE	1							
88	1	135210-61090	LEAD	1							
89	1	22451-060000	WIRE, 0.6	1							

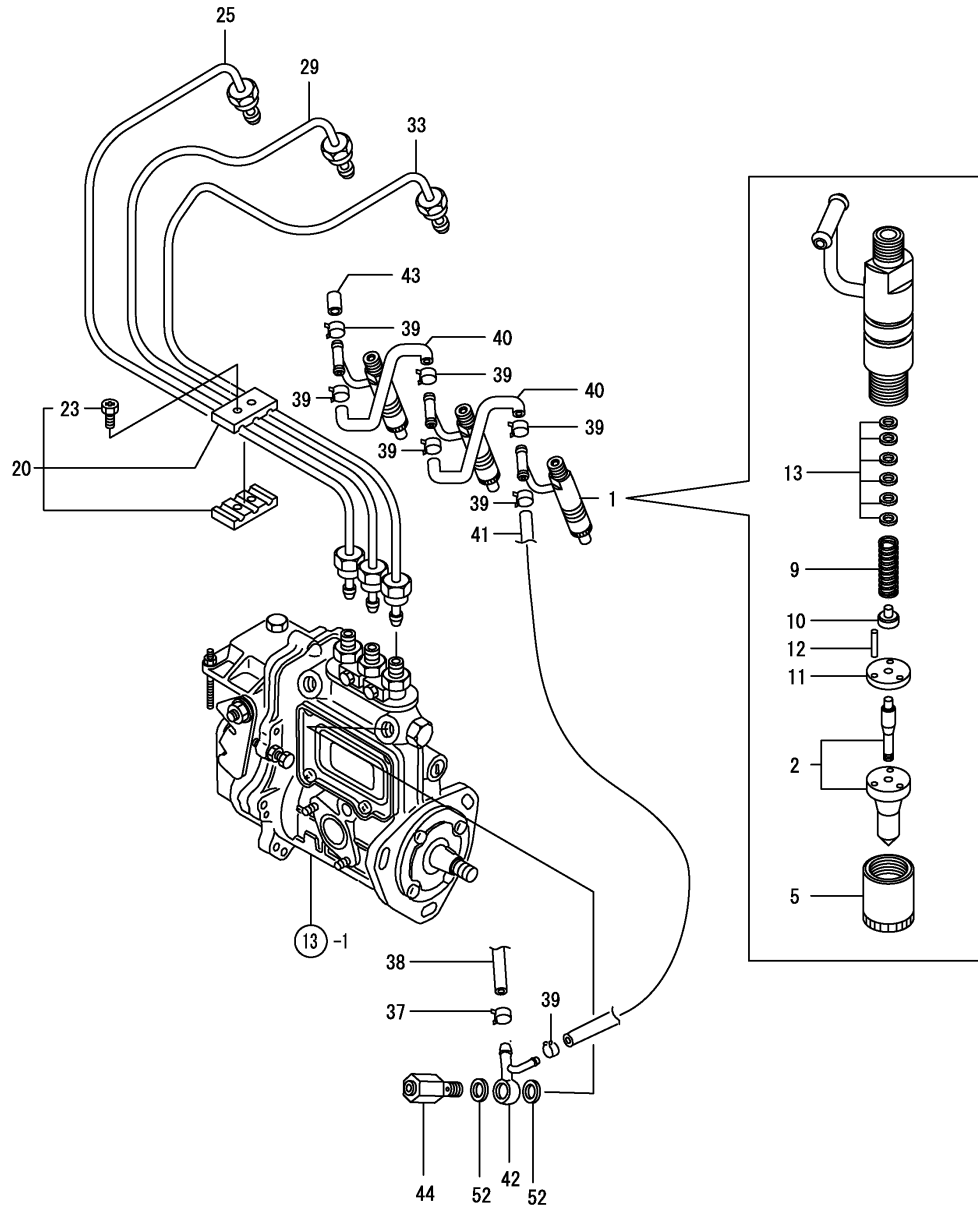
Remarks

(1) SELECTIVE PARTS: CERTAIN THE CLASSIFICATION MARK, THEN PLACE YOUR ORDER.(REFER TO ILLUSTRATION ).

(2) SELECTIVE PARTS.

\* THIS FIGURE(GOVERNOR ASSY) IS INCORPORATED IN THE FUEL INJECTION PUMP ASSY(FIG.13).

Fig.15. FUEL INJECTION VALVE



(A)=3TNE84T-NR

(B)=

(C)=

(D)=

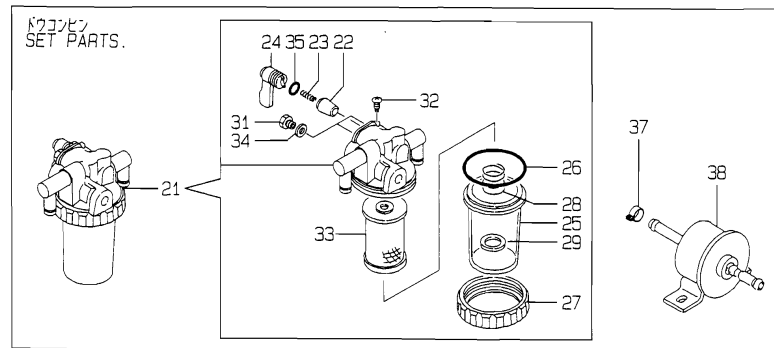
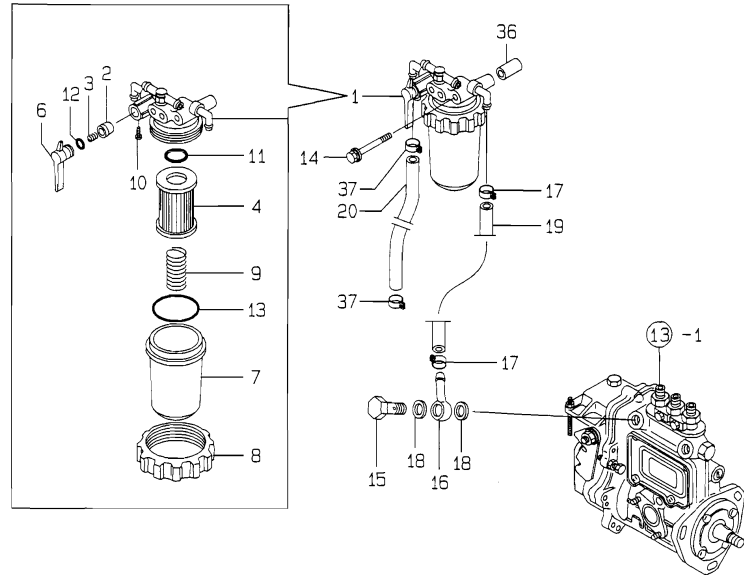
(E)=

(F)=

No.	Lev.	Parts No.	Description	Q'ty						I	R
				(A)	(B)	(C)	(D)	(E)	(F)		
1	1	729137-53200	VALVE ASSY,INJECTION	3							
2	2	129503-53050	VALVE ASSY,INJECTION	3							
5	2	114250-53080	NUT, NOZZLE D16.95	3							
9	2	114250-53120	SPRING, NOZZLE	3							
10	2	114250-53130	SEAT, SPRING	3							
11	2	114250-53140	PLATE	3							
12	2	114250-53210	PIN	6							
13	2	114250-53400	SHIM SET	3							
20	1	129150-59120	RETAINER, PIPE	1							
23	2	129150-59131	BOLT, M4X14	2							
25	1	129100-59912	PIPE ASSY, INJECTION	1							
29	1	129100-59922	PIPE ASSY, INJECTION	1							
33	1	129100-59932	PIPE ASSY, INJECTION	1							
37	1	124766-59050	CLIP, HOSE 12	2							
38	1	129255-59580	PIPE, FUEL	1							
39	1	124066-59100	CLIP, HOSE 8	7							
40	1	121250-59550	PIPE, FUEL D8X120	2							
41	1	119840-59560	PIPE, FUEL RETURN	1							
42	1	119840-59570	JOINT	1							
43	1	129150-59580	CAP	1							
44	1	129100-59951	VALVE ASSY, CHECK	1							
52	1	23414-120000	GASKET, 12X1.0	2							

Fig.16. FUEL LINE

Y0005440  
3TNE84T-NR



(A)=3TNE84T-NR

(B)=

(C)=

(D)=

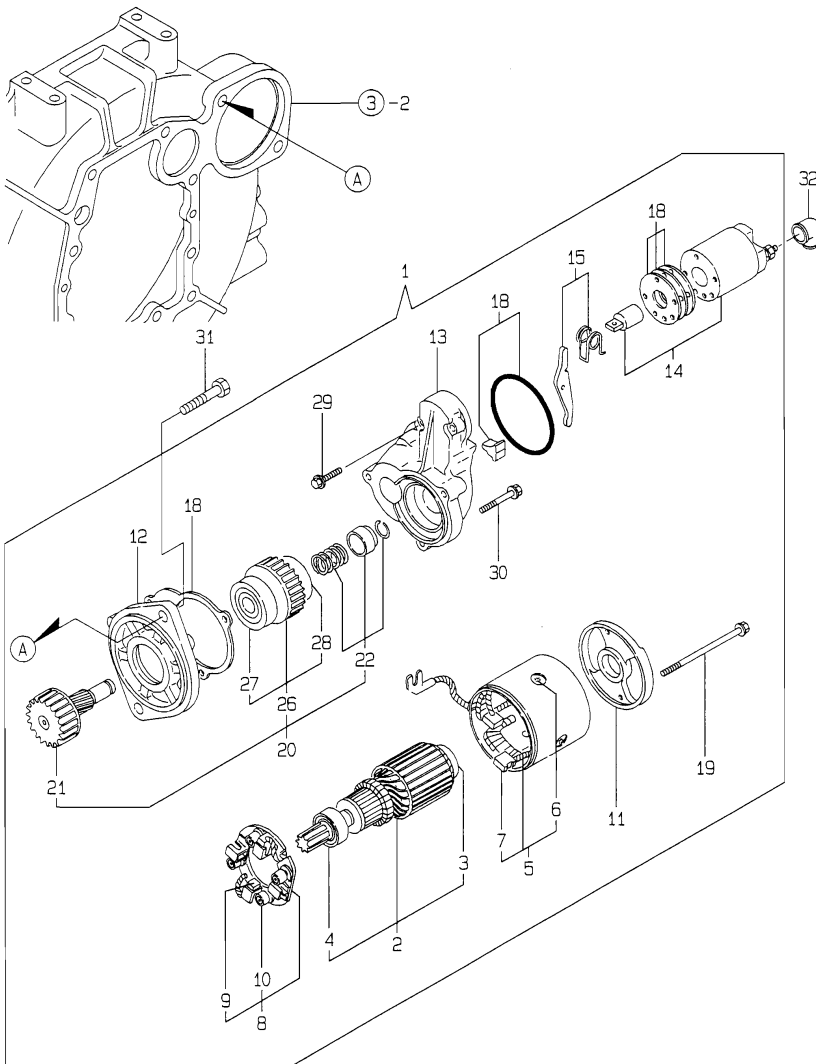
(E)=

(F)=

No.	Lev.	Parts No.	Description	Q'ty						I	R
				(A)	(B)	(C)	(D)	(E)	(F)		
1	1	129052-55620	FILTER ASSY, FUEL	1							
2	2	104200-55321	VALVE, TAPER	1							
3	2	104200-55330	SPRING, VALVE	1							
4	2	129100-55650	ELEMENT	1							
6	2	129100-55670	LEVER	1							
7	2	129100-55680	CUP, STRAINER	1							
8	2	129100-55690	RING, RETAINING	1							
9	2	129100-55700	SPRING	1							
10	2	104200-55750	SCREW, M4	1							
11	2	24311-000160	O-RING, 1AP16.0	1							
12	2	24311-240100	O-RING, 1AP10A	1							
13	2	24321-000650	O-RING, 1AG65.0	1							
14	1	26014-080852	BOLT, M8X 85	1							
15	1	103854-39140	BOLT, PIPE JOINT	1							
16	1	101304-59020	JOINT, PIPE 12	1							
17	1	124766-59050	CLIP, HOSE 12	2							
18	1	22190-120002	WASHER, SEAL 12	2							
19	1	129555-59510	PIPE, D13/7.5X180	1							
20	1	121454-59090	PIPE, FUEL D12X700	1							
21	1	129335-55700	SEPARATOR ASSY,WATER	1							
22	2	104200-55321	VALVE, TAPER	1							
23	2	104200-55330	SPRING, VALVE	1							
24	2	104200-55341	HANDLE	1							
25	2	124064-55510	COVER	1							
26	2	102103-55520	O-RING	1							
27	2	110250-55610	RING, RETAINING	1							
28	2	121257-55720	SPRING	1							
29	2	121257-55731	FLOAT	1							
31	2	101720-55750	PLUG, 6	2							
32	2	104200-55750	SCREW, M4	1							
33	2	171081-55910	SCREEN	1							
34	2	23418-060000	GASKET, 6X1.0	2							
35	2	24311-240100	O-RING, 1AP10A	1							
36	1	129411-55690	SPACER	1							
37	1	124766-59050	CLIP, HOSE 12	4							
38	1	119225-52102	PUMP ASSY, FUEL FEED	1							

Fig.17. STARTING MOTOR

Y00D5440  
3TNE84T-NR



(A)=3TNE84T-NR

(B)=

(C)=

(D)=

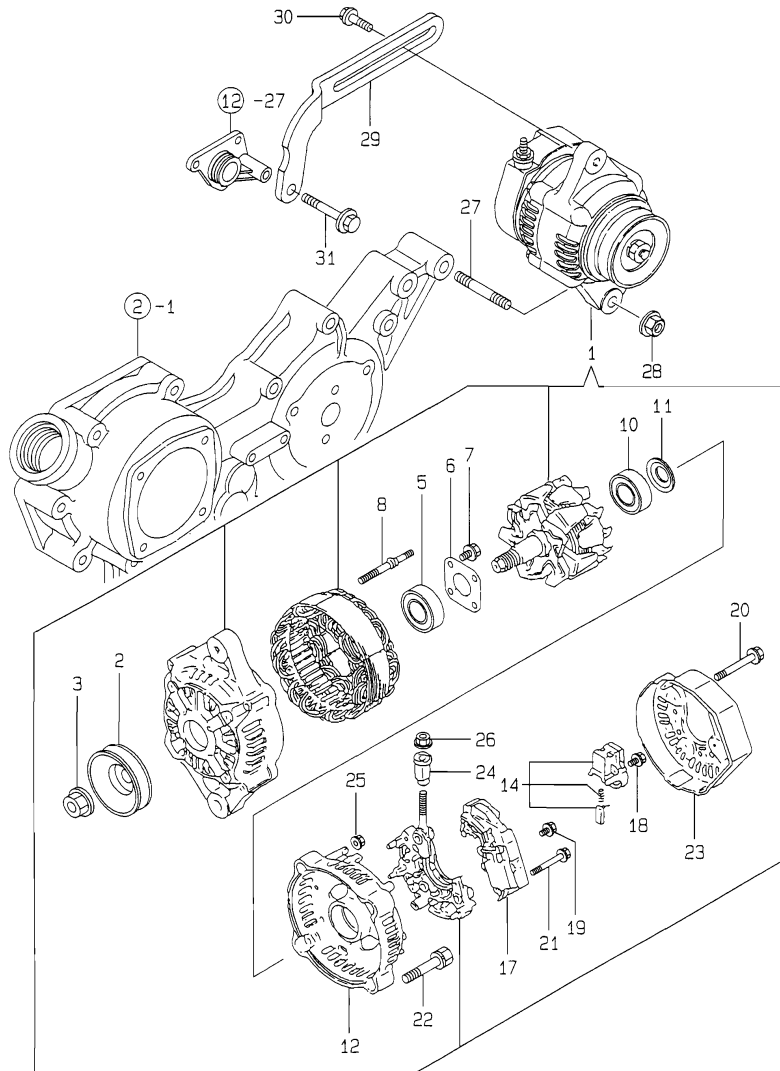
(E)=

(F)=

No.	Lev.	Parts No.	Description	Q'ty						I	R
				(A)	(B)	(C)	(D)	(E)	(F)		
1	1	129400-77011	STARTER, S13-94A	1							
2	2	129400-77400	ARMATURE ASSY	1							
3	3	171008-77410	BEARING	1							
4	3	171008-77420	BEARING	1							
5	2	129400-77440	COIL ASSY, FIELD	1							
6	3	171008-77450	SCREW	4							
7	3	129400-77460	BRUSH (+)	2							
8	2	129400-77470	HOLDER ASSY, BRUSH	1							
9	3	129400-77480	BRUSH (-)	2							
10	3	129400-77490	SPRING	4							
11	2	129400-77510	COVER, REAR	1							
12	2	171008-77510	CASE, GEAR	1							
13	2	129400-77520	HOUSING	1							
14	2	129400-77530	SWITCH ASSY,MAGNETIC	1							
15	2	171008-77540	LEVER SET	1							
18	2	129400-77570	COVER KIT, DUST	1							
19	2	129400-77640	BOLT, THROUGH	2							
20	2	171008-77650	PINION ASSY	1							
21	3	171008-77660	SHAFT	1							
22	3	171008-77670	STOPPER SET	1							
26	3	171008-77720	CLUTCH ASSY	1							
27	4	171008-77730	BEARING, BALL	1							
28	4	171008-77740	BEARING	1							
29	2	26106-060322	BOLT, M6X 32 PLATED	2							
30	2	26106-060402	BOLT, M6X 40 PLATED	3							
31	1	26116-120252	BOLT, M12X 25 PLATED	2							
32	1	124160-77020	COVER, TERMINAL	2							

Fig.18. GENERATOR

Y00D5440  
3TNE84T-NR



(A)=3TNE84T-NR

(B)=

(C)=

(D)=

(E)=

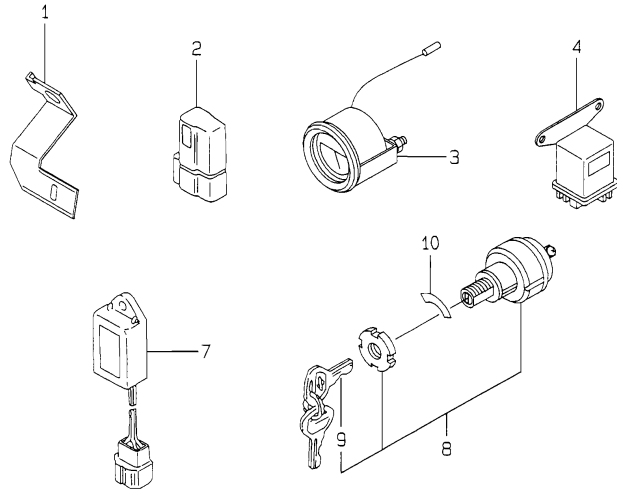
(F)=

No.	Lev.	Parts No.	Description	Q'ty						I	R
				(A)	(B)	(C)	(D)	(E)	(F)		
1	1	129052-77220	GENERATOR, 12V-55A	1							
2	2	119620-77460	PULLEY,CRANKSHAFT	1							
3	2	119620-77470	NUT	1							
5	2	119620-79201	BEARING, BALL	1							
6	2	119620-79210	PLATE, RETAINER	1							
7	2	119620-79220	SCREW	4							
8	2	119620-79230	STUD	2							
10	2	123501-79240	BEARING, BALL	1							
11	2	119620-79250	COVER	1							
12	2	128401-77440	FRAME	1							
14	2	129052-79270	HOLDER, BRUSH	1							
17	2	119620-77710	REGULATOR ASSY	1							
18	2	119620-79290	SCREW	6							
19	2	119620-79300	SCREW	1							
20	2	119620-79310	BOLT	3							
21	2	119620-79320	SCREW	2							
22	2	119620-79330	BOLT	2							
23	2	128401-77450	COVER	1							
24	2	119620-79340	BUSH, INSULATION	1							
25	2	119620-79350	NUT	2							
26	2	X9490561001	NUT	1							
27	1	129795-01900	STUD	1							
28	1	26366-100002	NUT, M10	1							
29	1	129100-77330	ADJUSTER	1							
30	1	26014-080252	BOLT, M8X 25	1							
31	1	26106-080502	BOLT, M8X 50 PLATED	1							



# Fig.19. ELECTRIC PARTS

Y0005440  
37NE84T-NR



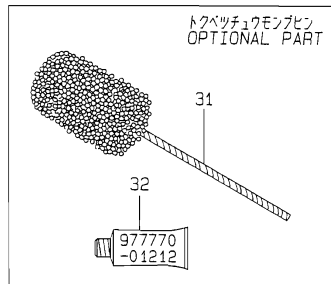
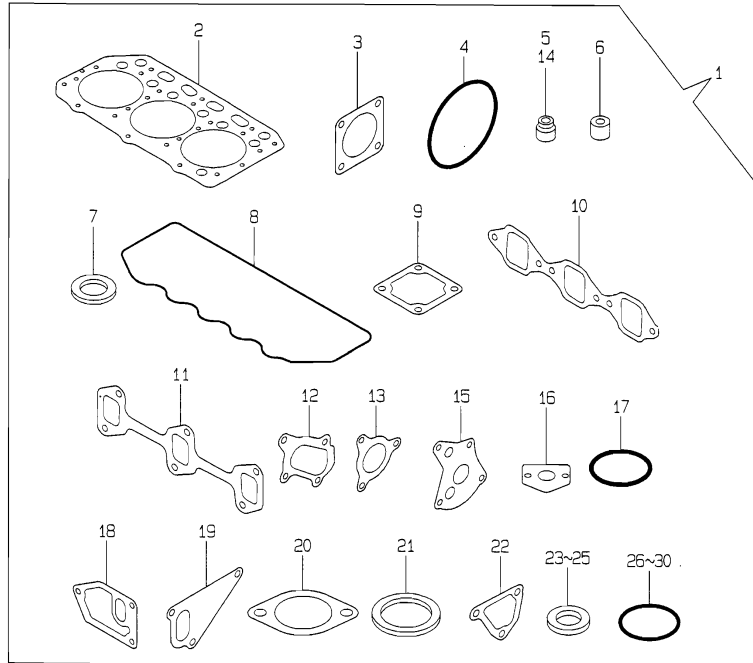
(A)=3TNE84T-NR  
(B)=  
(C)=

(D)=  
(E)=  
(F)=

No.	Lev.	Parts No.	Description	Q'ty						I	R
				(A)	(B)	(C)	(D)	(E)	(F)		
1	1	129136-66852	SUPPORT	1							
2	1	119643-66900	DIODE	1							
3	1	171010-77850	THERMOSTAT	1							
4	1	119650-77910	RELAY ASSY, GLOW	1							
7	1	119632-77920	TIMER	1							
8	1	121575-91250	SWITCH, KEY	1							
9	2	123482-91291	KEY	2							
10	1	171085-91610	LABEL	1							

# Fig.20. GASKET SET

Y00D5440  
3TNE84T-NR



(A)=3TNE84T-NR  
(B)=  
(C)=

(D)=  
(E)=  
(F)=

No.	Lev.	Parts No.	Description	Q'ty						I	R
				(A)	(B)	(C)	(D)	(E)	(F)		
1	1	729002-92660	GASKET SET	1							1
2	2	129002-01340	GASKET, HEAD	1							
3	2	124240-01883	GASKET	1							
4	2	121850-51960	O-RING	1							
5	2	124460-11340	SEAL, VALVE STEM	3							
6	2	119625-11871	PROTECTOR, NOZZLE	3							
7	2	119625-11880	SEAT, NOZZLE	3							
8	2	129150-11310	GASKET, BONNET	1							
9	2	129150-77511	GASKET	1							
10	2	129150-12111	GASKET, MANIFOLD	1							
11	2	129150-13110	GASKET	1							
12	2	129403-18091	GASKET	1							
13	2	129477-18101	GASKET	1							
14	2	121400-11340	SEAL, VALVE STEM	3							
15	2	129150-32020	GASKET, PUMP	1							
16	2	129150-35041	GASKET	1							
17	2	129120-35110	GASKET	1							
18	2	129120-35121	GASKET	1							
19	2	129100-42020	GASKET, WATER PUMP	1							
20	2	129795-49551	GASKET	1							
21	2	129150-49811	GASKET, THERMOSTAT	1							
22	2	129100-49840	GASKET	1							
23	2	129155-52050	GASKET	1							
24	2	23414-080000	GASKET, 8X1.0	2							
25	2	23414-100000	GASKET, 10X1.0	2							
26	2	24311-000120	O-RING, 1AP12.0	3							
27	2	24311-000160	O-RING, 1AP16.0	3							
28	2	24311-000320	O-RING, 1AP32.0	2							
29	2	24341-000240	O-RING, 1AS24.0	1							
30	2	24341-000500	O-RING, 1AS50.0	1							
31	1	129400-92420	HONE	1							1
32	1	977770-01212	GASKET, LIQUID	1							1

Remarks  
(1) OPTIONAL PART.

## Parts No. Index

Parts No.	Fig. No.	Ref. No.
101304-59020	16	16
101720-55750	16	31
102103-55520	16	26
103854-39140	16	15
104200-55321	16	2
		22
104200-55330	16	3
		23
104200-55341	16	24
104200-55750	16	10
		32
105010-39140	11	7
105300-51300	13	27
110250-55610	16	27
114250-53080	15	5
114250-53120	15	9
114250-53130	15	10
114250-53140	15	11
114250-53210	15	12
114250-53400	15	13
119225-52102	16	38
119226-07900	4	63
119233-77930	14	83
119260-34810	10	17
119600-66840	14	71
119620-01750	3	3
119620-77460	18	2
119620-77470	18	3
119620-77710	18	17
119620-79201	18	5
119620-79210	18	6
119620-79220	18	7
119620-79230	18	8
119620-79250	18	11
119620-79290	18	18
119620-79300	18	19
119620-79310	18	20
119620-79320	18	21
119620-79330	18	22
119620-79340	18	24
119620-79350	18	25
119625-11871	4	45
	20	6
119625-11880	4	46
	20	7
119625-11900	4	47
119632-77920	19	7
119643-66900	19	2
119650-77910	19	4
119660-61901	14	59

Parts No.	Fig. No.	Ref. No.
119808-12520	5	10
119808-12530	5	11
119808-12540	5	12
119810-51040	13	6
119840-59560	15	41
119840-59570	15	42
120130-11860	4	12
121111-21501	9	12
121250-49121	12	56
121250-59550	15	40
121252-39450	11	9
121256-44600	12	37
121257-55720	16	28
121257-55731	16	29
121400-11340	4	28
	20	14
121450-01560	2	6
121450-42450	12	42
121450-44531	12	32
121450-49110	12	54
121454-59090	16	20
121470-44581	12	34
121550-23200	9	30
121575-91250	19	8
121850-21680	9	11
121850-51960	2	13
	20	4
122117-51560	13	50
122710-51090	13	10
123482-91291	19	9
123501-79240	18	10
123682-44210	12	47
124064-55510	16	25
124066-59100	15	39
124160-01751	2	7
	4	64
124160-01910	1	5
124160-11360	4	61
124160-39140	11	8
124160-77020	17	32
124223-39900	11	10
124240-01871	2	8
124240-01883	2	9
	20	3
124250-49351	12	44
124450-44550	12	36
124450-44560	12	33
124460-11340	4	29
	20	5
124465-44950	12	43

Parts No.	Fig. No.	Ref. No.
124550-21600	9	16
124550-51350	13	32
124550-51370	13	33
124550-59820	11	11
124550-66370	14	61
124736-07900	4	5
124756-67510	14	86
124766-59050	15	37
	16	17
		37
124950-51190	13	17
128401-77440	18	12
128401-77450	18	23
129001-02800	1	14
129001-21000	9	1
129001-42002	12	2
129001-42040	12	27
129002-01331	1	28
129002-01340	20	2
129002-22090	9	17
129002-22510	9	19
129002-22900	9	33
129002-22950	9	35
129012-18150	7	51
129012-33000	10	24
129012-49010	12	51
129012-49030	12	39
129030-44740	12	18
129052-55620	16	1
129052-61050	14	6
129052-61060	14	7
129052-61070	14	8
129052-61390	14	33
129052-61500	14	34
129052-61540	14	49
129052-77220	18	1
129052-79270	18	14
129100-01580	3	1
		15
	9	2
129100-01640	3	16
129100-01730	3	6
129100-01760	3	8
129100-11100	4	23
129100-11130	4	25
129100-11350	4	50
129100-23910	9	29
129100-25061	8	10
129100-35301	10	22
129100-42020	12	14

Parts No.	Fig. No.	Ref. No.
129100-42020	20	19
129100-49840	12	25
	20	22
129100-52200	13	95
129100-55650	16	4
129100-55670	16	6
129100-55680	16	7
129100-55690	16	8
129100-55700	16	9
129100-59912	15	25
129100-59922	15	29
129100-59932	15	33
129100-59951	15	44
129100-61400	14	19
129100-61440	14	79
129100-61650	14	81
129100-77330	18	29
129103-01530	2	5
129103-49301	12	1
129120-33040	10	26
129120-33051	10	27
129120-33060	10	28
129120-35001	10	29
129120-35110	10	33
	20	17
129120-35121	10	34
	20	18
129120-77501	5	4
129122-12060	5	18
129122-12100	5	1
129122-12211	5	22
129122-44480	2	12
	12	38
129129-14580	8	3
129132-44901	12	50
129136-34820	10	18
129136-66852	19	1
129137-18010	7	3
129137-49100	12	53
129139-12050	5	17
129139-12200	5	21
129139-13100	6	1
129139-39030	11	1
129139-39601	11	15
129150-01200	1	27
129150-02020	1	7
129150-02450	8	4
129150-02870	1	32
129150-02930	1	23
129150-02940	1	29

## Parts No. Index

Parts No.	Fig. No.	Ref. No.
129150-03020	4	52
129150-03070	4	53
129150-03080	4	54
129150-03100	2	11
129150-11230	4	41
129150-11280	4	36
129150-11290	4	37
129150-11310	4	57
	20	8
129150-11370	4	30
129150-11750	4	43
129150-11810	4	14
129150-12111	5	2
	20	10
129150-13110	6	2
	20	11
129150-14101	8	7
129150-14200	8	1
129150-14400	8	2
129150-21200	9	5
129150-23600	9	31
129150-23610	9	39
129150-25101	8	11
129150-25900	8	16
129150-25920	8	14
129150-32020	10	14
	20	15
129150-35041	10	21
	20	16
129150-35151	10	35
129150-35350	10	37
129150-49360	12	45
129150-49811	12	24
	20	21
129150-59120	15	20
129150-59131	15	23
129150-59580	15	43
129150-77511	5	5
	20	9
129150-91400	2	24
129155-11241	4	33
129155-11260	4	34
129155-11270	4	35
129155-42350	12	17
129155-49800	12	23
129155-51020	13	5
129155-51050	13	8
129155-51060	13	9
129155-51140	13	14
129155-51180	13	16

Parts No.	Fig. No.	Ref. No.
129155-51200	13	18
129155-51270	13	25
129155-51280	13	26
	14	3
129155-51320	13	30
129155-51340	13	31
129155-51370	13	34
129155-51380	13	35
129155-51390	13	36
129155-51400	13	37
129155-51410	13	38
129155-51420	13	39
129155-51450	13	40
129155-51500	13	45
129155-51521	13	46
129155-51530	13	47
129155-51540	13	48
129155-51550	13	49
129155-51570	13	52
129155-51580	13	53
129155-51591	13	54
129155-51600	13	55
129155-51700	13	74
129155-51710	13	75
129155-51750	13	76
129155-51760	13	77
129155-51790	13	78
129155-51930	13	80
129155-51940	13	81
129155-52050	13	94
	20	23
129155-61120	14	9
129155-61130	14	10
129155-61140	14	11
129155-61201	14	12
129155-61341	14	16
129155-61350	14	17
129155-61360	14	18
129155-61430	14	22
129155-61450	14	26
129155-61460	14	27
129155-61470	14	80
129155-61480	14	28
129155-61540	14	50
129155-61830	14	58
129155-61950	14	60
129156-51910	13	79
129188-12071	5	7
129188-13500	7	49
129202-22300	9	23

Parts No.	Fig. No.	Ref. No.
129255-59580	15	38
129255-61080	14	87
129255-61410	14	77
129255-61420	14	78
129335-55700	16	21
129350-49560	12	21
129400-77011	17	1
129400-77400	17	2
129400-77440	17	5
129400-77460	17	7
129400-77470	17	8
129400-77480	17	9
129400-77490	17	10
129400-77510	17	11
129400-77520	17	13
129400-77530	17	14
129400-77570	17	18
129400-77640	17	19
129400-92420	20	31
129403-18091	7	50
	20	12
129403-18720	7	4
129403-18750	7	5
129403-18770	7	6
129403-18780	7	15
129403-18800	7	24
129403-39610	11	16
129403-49050	12	40
129407-35300	10	36
129411-44560	12	49
129411-55690	16	36
129418-32000	10	1
129436-34800	10	16
129470-11080	4	21
129470-11090	4	22
129470-51101	13	11
129477-18101	7	1
	20	13
129486-01670	3	19
129503-53050	15	2
129553-39650	10	46
129555-59510	16	19
129604-07900	4	5 -1
129619-12500	5	8
129619-12510	5	9
129619-12560	5	13
129792-39410	10	40
129795-01780	3	18
129795-01800	2	4
129795-01900	18	27

Parts No.	Fig. No.	Ref. No.
129795-01950	2	10
129795-02411	1	26
129795-11120	4	24
129795-11180	4	26
129795-21661	9	10
129795-49551	12	22
	20	20
129900-07900	4	5 -2
135210-61090	14	88
158552-61900	14	69 -1
171008-77410	17	3
171008-77420	17	4
171008-77450	17	6
171008-77510	17	12
171008-77540	17	15
171008-77650	17	20
171008-77660	17	21
171008-77670	17	22
171008-77720	17	26
171008-77730	17	27
171008-77740	17	28
171010-77850	19	3
171051-01921	1	6
171064-44510	12	30
171081-55910	16	33
171085-91610	19	10
171301-01640	3	9
171340-21650	9	9
171350-03090	4	1
171350-21590	9	13
171351-49170	12	58
171353-44760	12	19
171353-61710	14	82
171420-49020	12	52
171430-44500	12	46
171440-01600	3	2
174307-51170	13	15
174307-51560	13	51
174307-51700	14	35
194990-22050	6	3
	7	2
		52
22117-040000	14	62
22190-060002	14	63
22190-080002	2	23
	11	12
22190-100002	14	64
22190-120002	14	65
	16	18
22190-160002	13	82

## Parts No. Index

Parts No.	Fig. No.	Ref. No.
22217-050000	13	83
22217-060000	13	84
22217-120000	8	17
22252-000260	9	24
22272-000040	14	55
22272-000070	14	84
22287-120000	14	66
22351-030010	10	47
22351-040010	9	8
22351-050010	13	85
22351-060012	4	31
22372-040000	14	67
22451-060000	14	89
22512-070140	8	8
	9	6
23000-022000	11	17
	12	41
23000-041000	5	19
23000-048000	5	14
23000-060000	5	15
		20
23010-038000	12	59
23065-070225	12	35
23414-080000	11	13
	20	24
23414-100000	10	31
	11	14
	20	25
23414-120000	15	52
23418-060000	16	34
23871-010000	1	10
23871-020000	4	16
23871-030000	4	17
	12	12
23881-100002	10	32
23887-100002	14	68
24101-063034	13	86
24311-000120	4	62
	20	26
24311-000160	2	14
	10	38
	12	57
	16	11
	20	27
24311-000320	2	15
	4	65
	20	28
24311-240100	10	19
	16	12
		35

Parts No.	Fig. No.	Ref. No.
24314-000160	11	18
24321-000300	12	28
24321-000650	16	13
24341-000160	13	87
24341-000240	2	26
	20	29
24341-000250	3	11
24341-000280	14	69
24341-000500	4	59
	20	30
25132-003800	12	16
26014-080252	18	30
26014-080852	16	14
26022-050102	13	88
26022-060162	13	89
26106-060102	14	70
		72
26106-060142	14	73
26106-060162	2	27
	11	19
26106-060202	14	74
26106-060322	17	29
26106-060352	12	20
26106-060402	17	30
26106-080122	2	16
	7	53
	11	20
26106-080142	4	6
	7	54
	8	9
26106-080162	2	17
	3	12
	4	60
	5	23
	12	29
26106-080182	5	16
26106-080202	2	18
	12	26
26106-080252	3	13
	4	48
	5	3
	10	20
		39
26106-080352	3	20
	5	6
	10	23
26106-080452	2	19
	3	14
		14 -1
	8	15

Parts No.	Fig. No.	Ref. No.
26106-080502	3	22
	4	49
	18	31
26106-080552	2	20
26106-080602	12	15
26106-080802	6	4
26106-080852	2	21
26116-050302	13	90
26116-120252	17	31
26206-100252	3	4
26206-100302	3	5
26216-060202	4	18
26216-080222	6	5
	7	55
26216-080802	6	6
26226-080182	4	44
26366-060002	4	32
26366-080002	2	22
26366-100002	18	28
26450-060252	10	15
26687-120002	14	85
26716-060002	13	91
26716-120002	8	18
26756-060002	14	75
26776-120002	14	76
27231-500000	1	11
27241-120000	1	12
27241-220000	4	19
27241-300000	1	13
27241-400000	4	20
27310-080001	4	27
719810-01500	2	1
729002-92660	20	1
729012-01560	1	1
729137-53200	15	1
729202-11710	4	7
729215-51360	13	1
	14	1
729402-11650	4	40
729402-23100	9	25
977770-01212	2	28
	3	21
	20	32
X9490561001	18	26
XNB139815	7	32
XNB139825	7	20
XNB139826	7	27
XNB139827	7	35

Parts No.	Fig. No.	Ref. No.
-----------	----------	----------