

OCD10-M53900EN

PREFACE

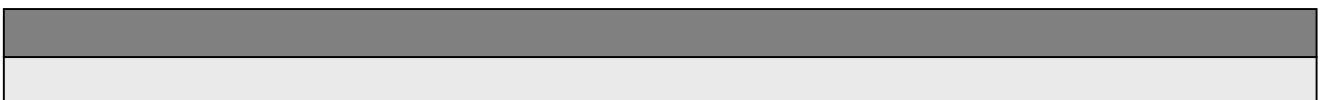
1. This Parts Catalog is the 1st edition of L70ADEVIT Diesel Engine for ANEST IWATA.

Pub. No. : 000Y00D5390

Published : August, 1995

2. Model name

Engine model	Vehicle		Vehicle made by
	Products	Model name	
L70ADEVIT	COMPRESSOR	—	ANEST IWATA



Directions for the Parts Catalog.

1. The parts stipulated in this Parts Catalog are not necessarily standard equipped parts.
2. Parts may change without prior notice.
3. The following is an example of the Parts Catalog format.

OCF10-G21601 29. FUEL INJECTION PUMP(W/BOOST)

REF.	LEV.	PARTS NO.	DESCRIPTION	Q'TY						I	R
				(A)	(B)	(C)	(D)	(E)	(F)		
1	1	729595-51390	FUEL INJECTION PUMP	1	1	1	1	1			1
1-1	1	729595-51391	FUEL INJECTION PUMP	1	1	1	1	1		N	1
		(A=E00185) (B=E00200)									
3	2	26022-060162	SCREW M 6X 16	9	9	9	9	9			
3-1	2	26022-060162	SCREW M 6X 16	4	4	4	4	4		K	
		(A=E00156) (B=E00156) (C=E00156) (D=E00156) (E=E00156)									
4	2	129470-51040	CAMSHAFT	1	1	1	1	1			
5	2	122710-51050	BEARING, ROLLER	2	2	2	2	2			
6	2	129470-51060	RETAINER	1	1	1	1	1			

Remarks

(1) BOOST COMPEMSATOR TYPE. OPTIONAL PART, TO E00155,(4JH-DT, 4JH-DTZ

① Ref. No.

The Ref. No. listed may not be in accordance with the illustration Ref. No.

(Ex.) Illustration No.

List Ref No.

1

1

(Before change)

1-1

(After change)

For interchangeable symbols N, R and K, illustrations for new parts may be abbreviated.

② Lev. (Level)

Level indication

The numbers below indicate the level of relativity towards the main part.

1 ----- Main parts (Assembly parts)

2 ----- Sub component included in " 1 ".

3 ----- Sub component included in " 2 ".

Note) Parts that are not for sale are partially illustrated but not listed.

③ Interchangeability Mark

When a part change takes place, one of the following interchangeability symbols is indicated beside the part.

Symbol	Interchangeability	Contents note
N	Old $\begin{matrix} \leftarrow \text{Yes} \\ \text{No} \rightarrow \end{matrix}$ New	New Part is interchangeable for Old Part but Old Part is not interchangeable for New Part.
Q	Old $\begin{matrix} \leftarrow \text{No} \\ \text{Yes} \rightarrow \end{matrix}$ New	New Part is not interchangeable for Old Part but Old Part is interchangeable for New Part.
R	Old $\begin{matrix} \leftarrow \text{Yes} \\ \text{Yes} \rightarrow \end{matrix}$ New	New/ Old Parts are both interchangeable.
S	Old $\begin{matrix} \leftarrow \text{No} \\ \text{No} \rightarrow \end{matrix}$ New	New/ Old Parts are both not interchangeable.
W		Part newly added.
Z		Part discontinued.
F		Not interchangeable by a single part but interchangeable together with related parts.
K		Changes only for used parts quantities.

④ Effective Machine No.

When a part changes, the effective Machine No. will be indicated in the (A)-(F) column.

Product Symbol	Product No.	Product Symbol	Product No.
C	Clutch No. Compressor No.	F	Machine No. (Agricultural Equip.)
D	Drive No.	M	Machine No.
E	Engine No.		

Note 1) A date may follow the symbol. (Ex.) 1996.01

Note 2) "XXXXX" and "ZZZZZ" are for parts that could not be predicted or for engine models that could not be identified.

Note 3) (A=E00185) is the E (Engine Serial Number) for the column (A) model (in this case 4JH-DT) after the parts design change.

⑤ Remarks Mark

Figures or alphabets (symbols) are entered in the remarks column.

The comments (remarks) on parts that are indicated at the bottom of the illustration are the same symbols as those stated above.

Contents

Fig. No. Fig. Name

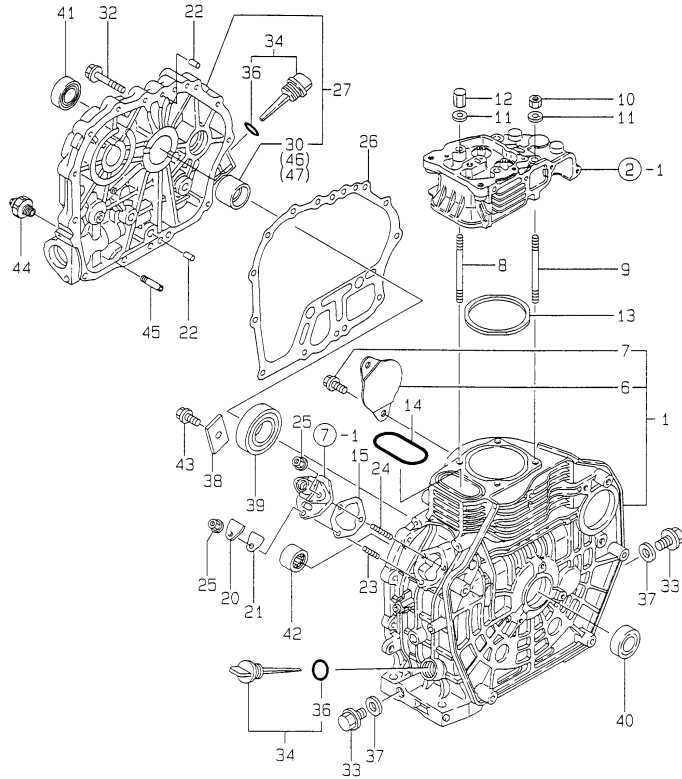
ENGINE L70ADEVIT

1. CYLINDER BLOCK
2. CYLINDER HEAD & BONNET
3. AIR CLEANER & MUFFLER
4. CRANKSHAFT,PISTON & CAMSHAFT
5. L.O.PUMP & GOVERNOR
6. COOLING & STARTING DEVICE
7. FUEL INJECTION PUMP
8. FUEL TANK & FUEL LINE
9. STARTING MOTOR & DYNAMO
10. TOOL & LABEL

Fig. No. Fig. Name

Fig.1. CYLINDER BLOCK

Y0005390
L70AGEVIT



(A)=L70AGEVIT

(B)=

(C)=

(D)=

(E)=

(F)=

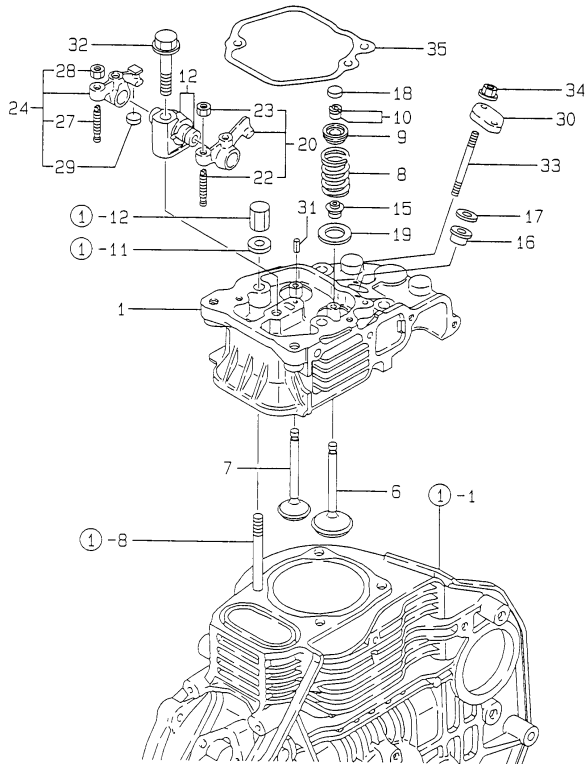
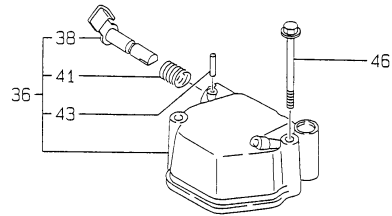
No.	Lev.	Parts No.	Description	Q'ty						I	R
				(A)	(B)	(C)	(D)	(E)	(F)		
1	1	714871-01560	BLOCK ASSY, CYLINDER	1							
6	2	114350-01700	COVER	1							
7	2	26106-100122	BOLT, M10X 12 PLATED	2							
8	1	114350-01200	BOLT, HEAD	2							
9	1	114350-01210	BOLT, HEAD	2							
10	1	114350-01220	NUT, CYLINDER HEAD	2							
11	1	105225-01240	WASHER	4							
12	1	114350-01250	NUT, CYLINDER HEAD	2							
13	1	114870-01340	GASKET, HEAD	1							G
14	1	114350-01380	O-RING	1							G
15	1	114250-01800	SHIM SET	1							
20	1	114250-01830	COVER	1							
21	1	114250-01841	GASKET	1							G
22	1	114270-01600	PIN, M8X12	2							
23	1	26226-060182	STUD, M6X 18	1							
24	1	26226-060222	STUD, M6X 22	2							
25	1	26366-060002	NUT, M6	3							
26	1	114350-01412	GASKET, CRANK CASE	1							G
27	1	114360-01454	COVER, CRANK CASE	1							
30	2	114350-02100	BEARING, MAIN	1							1
32	1	26106-080352	BOLT, M8X 35 PLATED	15							
33	1	105425-01690	PLUG, 16	2							
34	1	160910-01740	CAP ASSY	2							
36	2	24311-000180	O-RING, 1AP18.0	2							G
37	1	22190-160002	WASHER, SEAL 16	2							G
38	1	114250-02030	RETAINER, BEARING	1							
39	1	114350-02113	BEARING, B35-135G3C3	1							
40	1	160110-02220	SEAL, OIL	1							
41	1	160110-02220	SEAL, OIL	1							
42	1	24162-152112	BEARING, 152112	1							
43	1	26106-080122	BOLT, M8X 12 PLATED	1							
44	1	121252-39450	SWITCH, 0.5KG	1							
45	1	114250-35150	PIPE, OIL INLET	1							
46	1	114350-02200	BEARING, 0.25 US	1							2
47	1	114350-02210	BEARING, 0.50 US	1							3

Remarks

- (1) REPAIR PART.
- (2) UNDER-SIZE(U.S=0.25)PART.
- (3) UNDER-SIZE(U.S=0.50)PART.
- (G) THESE PARTS ARE SOLD BY FIG.10, REF.NO.27.

Fig.2. CYLINDER HEAD & BONNET

Y0005930
L70ADEVIT



(A)=L70ADEVIT

(B)=

(C)=

(D)=

(E)=

(F)=

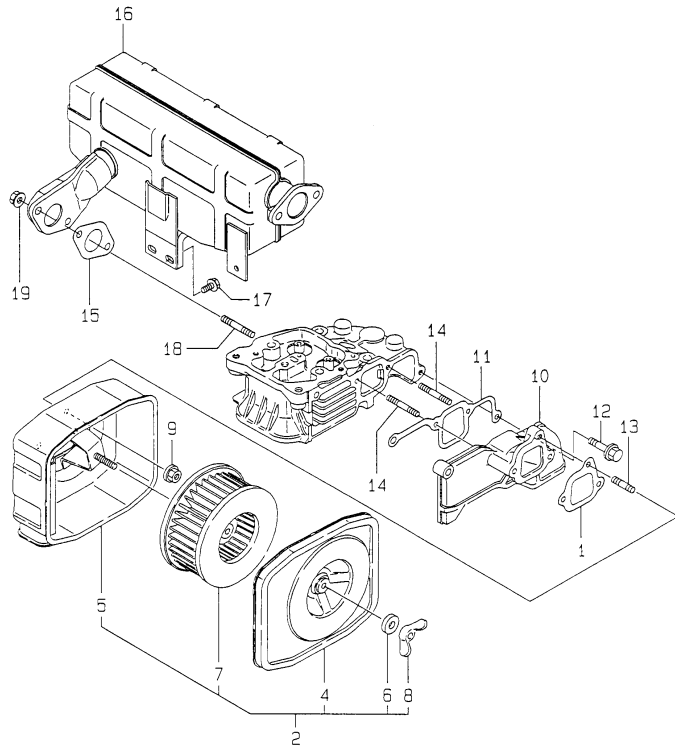
No.	Lev.	Parts No.	Description	Q'ty						I	R
				(A)	(B)	(C)	(D)	(E)	(F)		
1	1	114870-11020	HEAD ASSY, CYLINDER	1							
6	1	114350-11101	VALVE, INTAKE	1							
7	1	114350-11113	VALVE, EXHAUST	1							
8	1	114350-11120	SPRING, VALVE	2							
9	1	101158-11180	RETAINER, SPRING	2							
10	1	27310-060001	COTTER, 6	2							
12	1	114250-11290	SUPPORT, ROCKER ARM	1							
15	1	114350-11340	SEAL, VALVE STEM	2							G
16	1	114250-11460	GASKET, NOZZLE	1							G
17	1	114350-11470	SPACER, NOZZLE	1							
18	1	105010-11490	CAP, VALVE	1							
19	1	114250-11600	WASHER	2							
20	1	114250-11651	ARM, ROCKER	1							
22	2	114250-11240	SCREW, VALVE ADJUST	1							
23	2	26756-060002	NUT, LOCK M6	1							
24	1	714370-11660	ARM ASSY, ROCKER	1							
27	2	114250-11240	SCREW, VALVE ADJUST	1							
28	2	26756-060002	NUT, LOCK M6	1							
29	2	105010-11490	CAP, VALVE	1							
30	1	114250-11900	RETAINER, NOZZLE	1							
31	1	22351-040008	PIN, SPRING 4.0X 8	1							
32	1	26106-080452	BOLT, M8X 45 PLATED	1							
33	1	26226-060502	STUD, M6X 50	2							
34	1	26366-060002	NUT, M6	2							
35	1	114250-11310	GASKET, BONNET	1							G
36	1	114250-11951	BONNET ASSY, HEAD	1							
38	2	114250-03591	LEVER ASSY	1							
41	2	114250-03640	SPRING, DECOMPRESSION	1							
43	2	22312-030160	PIN, PARALLEL M3X16	1							
46	1	26106-060552	BOLT, M6X 55 PLATED	2							

Remarks

(G) THESE PARTS ARE SOLD BY FIG.10,
REF.NO.27.

Fig.3. AIR CLEANER & MUFFLER

Y0005390
L70ADEVIT



(A)=L70ADEVIT
(B)=
(C)=

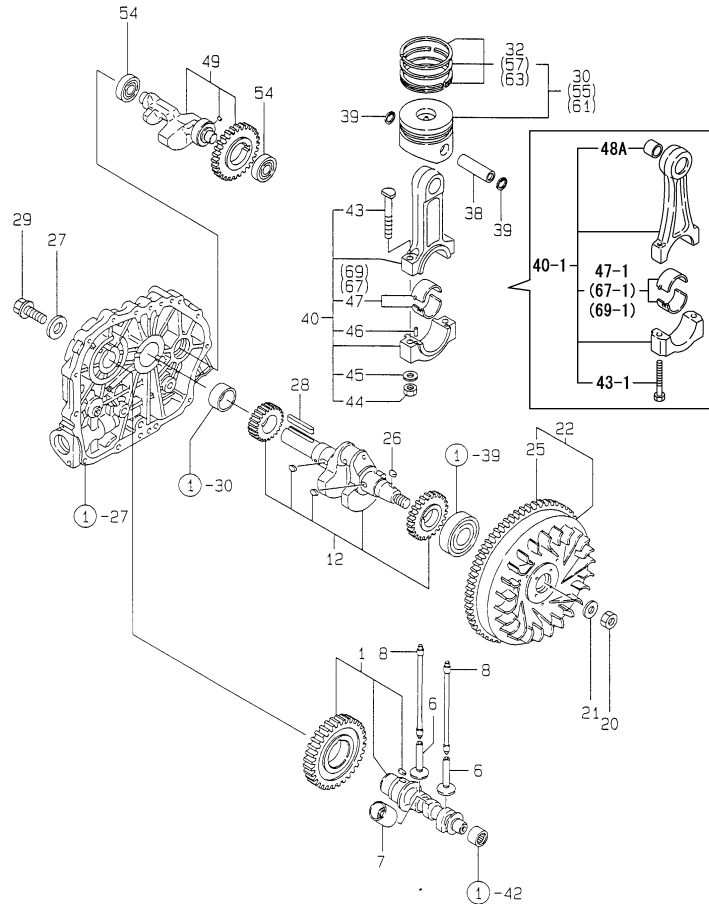
(D)=
(E)=
(F)=

No.	Lev.	Parts No.	Description	Q'ty						I	R
				(A)	(B)	(C)	(D)	(E)	(F)		
1	1	114250-12210	GASKET, AIR CLEANER	1							G
2	1	714250-12560	CLEANER ASSY, AIR	1							
4	2	114250-12520	COVER, AIR CLEANER	1							
5	2	114250-12530	CASE ASSY, CLEANER	1							
6	2	114250-12560	WASHER, SEAL M6	1							
7	2	114250-12580	ELEMENT	1							
8	2	114250-12550	NUT, WING M6	1							
9	1	26366-060002	NUT, M6	3							
10	1	114350-12011	PIPE, AIR INTAKE	1							
11	1	114350-12202	GASKET, AIR INTAKE	1							G
12	1	26106-060252	BOLT, M6X 25 PLATED	2							
13	1	26226-060142	STUD, M6X 14	1							
14	1	26226-060552	STUD, M6X 55	2							
15	1	114250-13201	GASKET, MUFFLER	1							G
16	1	114352-13550	MUFFLER	1							
17	1	26106-060122	BOLT, M6X 12 PLATED	2							
18	1	26216-080182	STUD, M8X 18	2							
19	1	26366-080002	NUT, M8	2							

Remarks
(G) THESE PARTS ARE SOLD BY FIG.10,
REF.NO.27.

Fig.4. CRANKSHAFT,PISTON & CAMSHAFT

Y0005390
L70ADEVIT



Remarks

- (1)OVER-SIZE(O.S=0.25)PART.
- (2)OVER-SIZE(O.S=0.50)PART.
- (3)UNDER-SIZE(U.S=0.25)PART.
- (4)UNDER-SIZE(U.S=0.50)PART.
- (5) REF.NO.12-1,40-1 & 49-1 INTERCHANGEABLE BY SET.

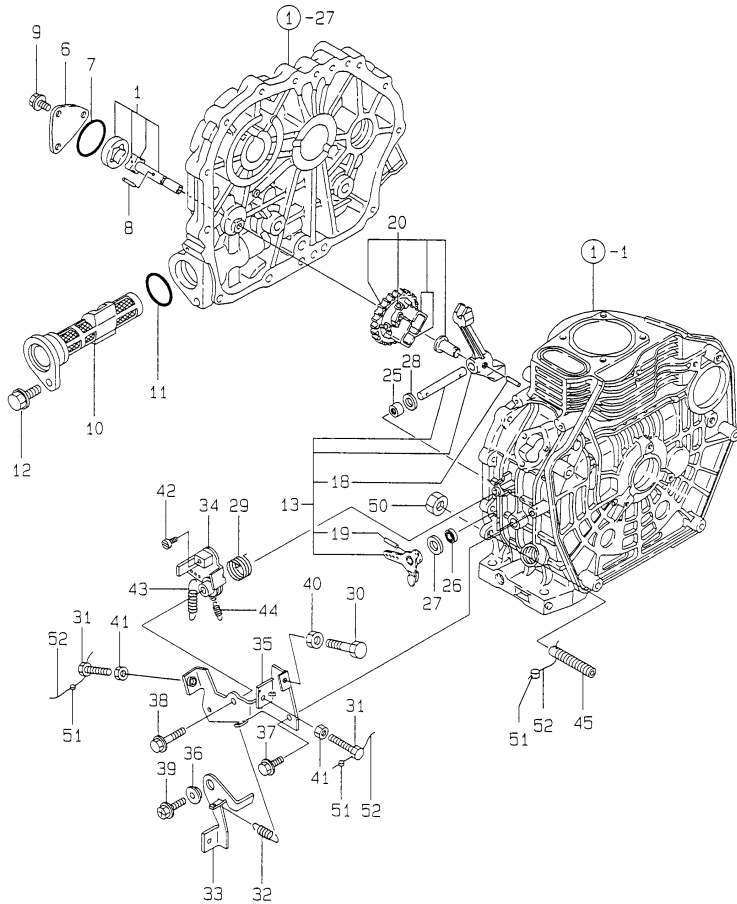
(A)=L70ADEVIT
(B)=
(C)=

(D)=
(E)=
(F)=

No.	Lev.	Parts No.	Description	Q'ty						I	R
				(A)	(B)	(C)	(D)	(E)	(F)		
1	1	714880-14580	CAMSHAFT ASSY	1							
6	1	114250-14200	TAPPET	2							
7	1	114250-14260	TAPPET	1							
8	1	114350-14450	ROD ASSY, PUSH	2							
12	1	714360-21720	CRANKSHAFT ASSY	1							
12-1	1	714360-21721	CRANKSHAFT ASSY	1							F 5
(A=*1998.11.)											
20	1	103854-01221	NUT, CYLINDER HEAD	1							
21	1	114250-21550	WASHER	1							
22	1	114881-21590	FLYWHEEL ASSY	1							
25	2	114362-21600	GEAR, RING	1							
26	1	22512-040120	KEY, 4X 12	1							
27	1	160310-14550	WASHER	1							
28	1	22512-070360	KEY, 7X 36	1							
29	1	26106-080202	BOLT, M8X 20 PLATED	1							
30	1	714880-22720	PISTON ASSY, D	1							
32	2	714870-22500	RING SET, PISTON	1							
38	1	114350-22301	PIN, PISTON D=21	1							
39	1	22252-000210	RING, 21	2							
40	1	714350-23704	ROD ASSY, CONNECTING	1							
40-1	1	714380-23700	ROD ASSY, CONNECTING	1							F 5
(A=*1998.11.)											
43	2	114250-23200	BOLT, CONNECTING ROD	2							
43-1	2	118200-23200	BOLT, CONNECTING ROD	2							S
(A=*1998.11.)											
44	2	114250-23220	NUT	2							Z
(A=*1998.11.)											
45	2	114250-23250	WASHER	2							Z
(A=*1998.11.)											
46	2	22312-030080	PIN, PARALLEL M3X 8	2							Z
(A=*1998.11.)											
47	2	714350-23600	BEARING, CRANK PIN	1							
47-1	2	714380-23600	BEARING, CRANK PIN	1							S
(A=*1998.11.)											
48A	2	114380-23100	BEARING, PISTON PIN	1							W
(A=*1998.11.)											
49	1	714350-28520	SHAFT ASSY, BALANCER	1							
49-1	1	714870-28510	SHAFT ASSY, BALANCER	1							F 5
(A=*1998.11.)											
54	1	24101-062024	BEARING, BALL 6202	2							
55	1	714880-22620	PISTON ASSY, 0.25 OS	1							1
57	2	714870-22540	RING SET, 0.25 OS	1							1
61	1	714880-22580	PISTON ASSY, 0.50 OS	1							2
63	2	714870-22550	RING SET, 0.50 OS	1							2
67	1	714350-23610	BEARING ASSY, 0.25	1							3
67-1	1	714380-23610	METAL ASSY, 0.25	1							S 3
(A=*1998.11.)											
69	1	714350-23620	BEARING, 0.50 US	1							4
69-1	1	714380-23620	BEARING, 0.50 US	1							S 4
(A=*1998.11.)											

Fig.5. L.O.PUMP & GOVERNOR

Y0005390
L70ADEVIT



(A)=L70ADEVIT

(B)=

(C)=

(D)=

(E)=

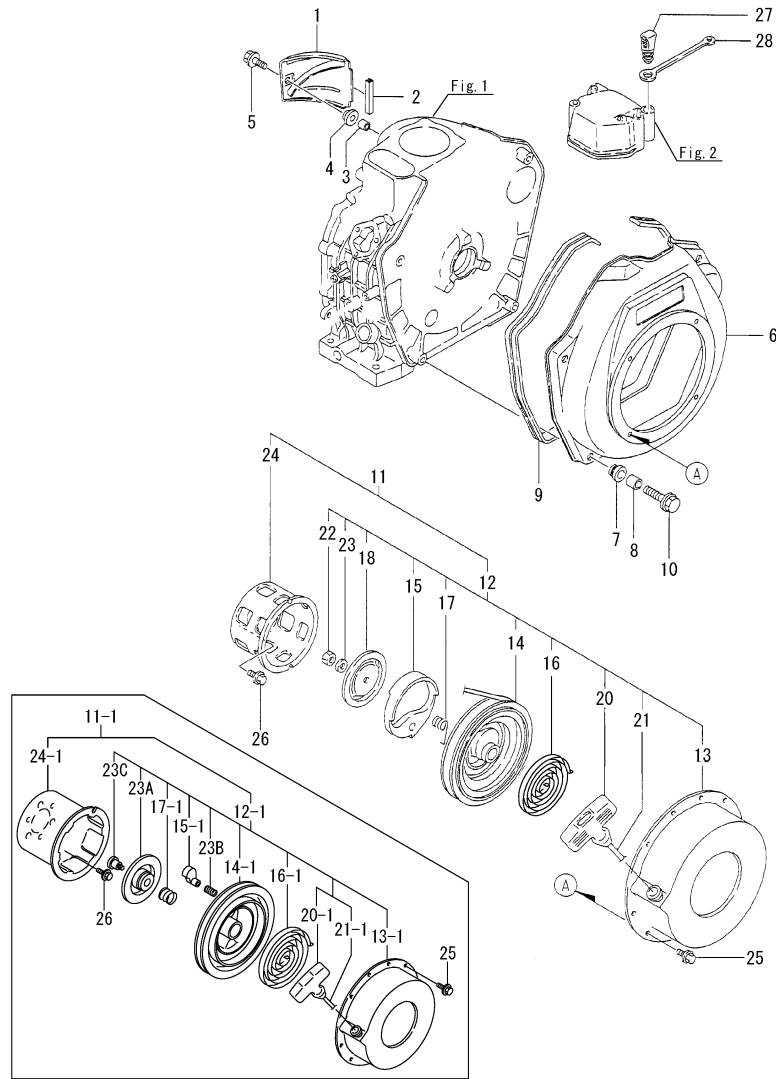
(F)=

No.	Lev.	Parts No.	Description	Q'ty						I	R
				(A)	(B)	(C)	(D)	(E)	(F)		
1	1	114250-32010	PUMP ASSY, OIL	1							
6	1	114250-32070	COVER	1							
7	1	103338-32570	O-RING	1							G
8	1	22312-030160	PIN, PARALLEL M3X16	1							
9	1	26476-060142	SCREW, TAPPING M6X14	3							
10	1	114250-35070	FILTER, OIL	1							1
11	1	24341-000224	O-RING, 1AS22.4	1							G
12	1	26106-060162	BOLT, M6X 16 PLATED	1							
13	1	714350-61500	LEVER ASSY, GOVERNOR	1							
18	2	22322-030200	PIN, TAPER 3X20	1							
19	2	22322-030200	PIN, TAPER 3X20	1							
20	1	714770-61700	GOVERNOR ASSY	1							
25	1	114270-61520	BEARING, NEEDLE 8	2							
26	1	114770-61600	SEAL, OIL	1							
27	1	114770-61610	WASHER, THRUST	1							
28	1	22137-080000	WASHER, 8	1							
29	1	114252-66252	SPRING, RETURN	1							
30	1	102100-67080	BOLT, ADJUSTING	1							
31	1	114250-66440	BOLT, ADJUSTING	2							
32	1	114268-66200	SPRING, RETURN	1							
33	1	114650-66150	LEVER, STOP	1							
34	1	114652-66871	LEVER, REGULATOR	1							
35	1	114652-66881	BRACKET	1							
36	1	114654-66140	PIECE	1							
37	1	26106-060122	BOLT, M6X 12 PLATED	1							
38	1	26106-060302	BOLT, M6X 30 PLATED	1							
39	1	26476-060202	SCREW, TAPPING M6X20	1							
40	1	26757-060002	NUT, LOCK M6	1							
41	1	26757-060002	NUT, LOCK M6	2							
42	1	105225-66990	SCREW, M5X8.5	1							
43	1	114870-66010	SPRING, REGULATOR	1							
44	1	114250-66200	SPRING, RETURN	1							
45	1	114250-66550	LIMITER ASSY, FUEL	1							
50	1	114870-66770	NUT, M10	1							
51	1	135210-61090	LEAD	3							
52	1	22451-060000	WIRE, 0.6	3							

Remarks

(1) REF.NO.10 & 11 ORDER BY SET.
(G) THESE PARTS ARE SOLD BY FIG.10, REF.NO.27.

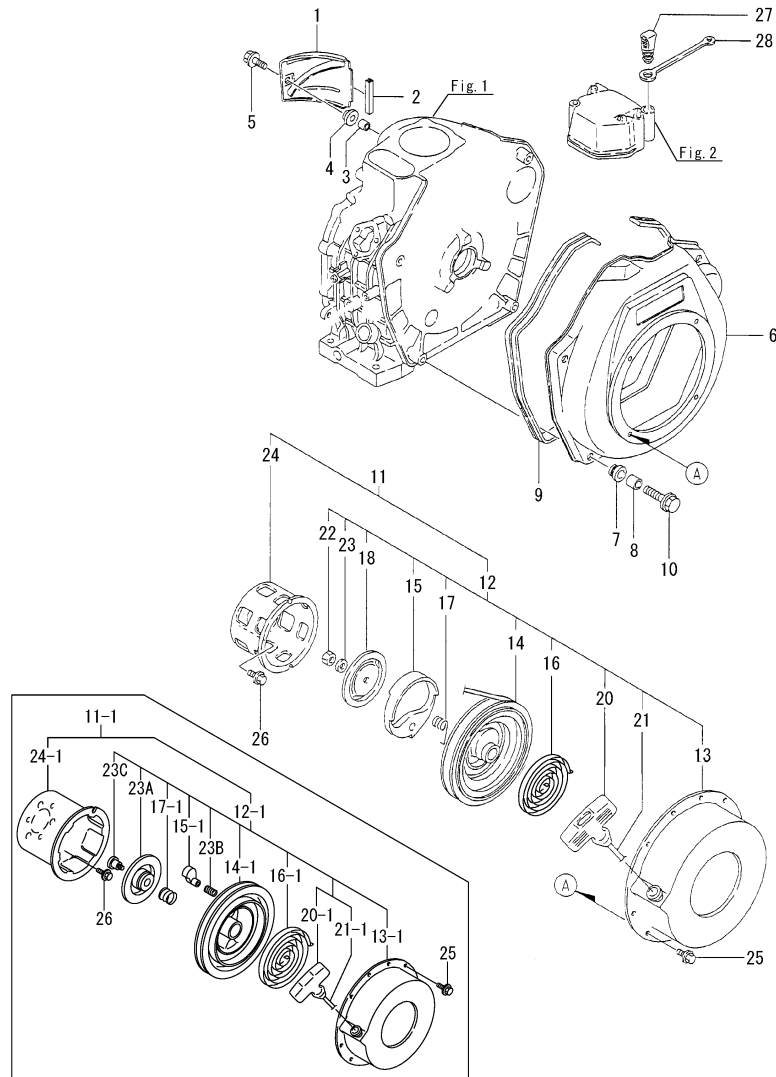
Fig.6. COOLING & STARTING DEVICE



No.	Lev.	Parts No.	Description	Q'ty						I	R
				(A)	(B)	(C)	(D)	(E)	(F)		
1	1	114870-45201	COVER	1							
2	1	114350-45320	RUBBER, SEAL	1							
3	1	114350-45340	COLLAR	1							
4	1	183720-55210	GROMMET	1							
5	1	26476-060202	SCREW, TAPPING M6X20	1							
6	1	114360-45101	CASE, COOLING FAN	1							
7	1	114250-45300	ABSORBER	5							
8	1	114250-45310	COLLAR	5							
9	1	114250-45330	SEAL, FAN CASE L=875	1							
10	1	114370-45350	BOLT	4							
11	1	114880-76050	STARTER ASSY, RECOIL	1							
11-1	1	114880-76051	STARTER ASSY, RECOIL	1							R 1
(A=EZZZZZ)											
12	2	114880-76250	STARTER ASSY, RECOIL	1							
12-1	2	114880-76251	STARTER ASSY, RECOIL	1							S
(A=EZZZZZ)											
13	3	114880-76510	CASE, STARTER	1							
13-1	3	114880-76511	CASE, STARTER	1							S
(A=EZZZZZ)											
14	3	160810-76520	REEL	1							
14-1	3	114880-76520	REEL	1							S
(A=EZZZZZ)											
15	3	160840-76530	RATCHET	1							
15-1	3	114870-76530	RATCHET	2							S
(A=EZZZZZ)											
16	3	160810-76540	SPRING, SPIRAL	1							
16-1	3	114870-76540	SPRING, SPIRAL	1							S
(A=EZZZZZ)											
17	3	160840-76560	SPRING, FRICTION	1							
17-1	3	114870-76560	SPRING, FRICTION	1							S
(A=EZZZZZ)											
18	3	160810-76580	PLATE, FRICTION	1							Z
(A=EZZZZZ)											
20	3	160810-76620	KNOB, STARTER	1							
20-1	4	114870-76620	KNOB, STARTER	1							S
(A=EZZZZZ)											
21	3	160810-76630	ROPE, STARTER	1							
21-1	4	114870-76630	ROPE, STARTER	1							S
(A=EZZZZZ)											
22	3	181130-76680	NUT	1							Z
(A=EZZZZZ)											
23	3	181130-76700	WASHER	1							Z
(A=EZZZZZ)											
23A	3	114880-76550	GUIDE, RATCHET	1							W
(A=EZZZZZ)											
23B	3	114870-76570	SPRING, RETURN	2							W
(A=EZZZZZ)											
23C	3	114870-76580	SCREW	1							W
24	2	114350-76590	PULLEY, STARTER	1							
24-1	2	114350-76591	PULLEY, STARTER	1							S
25	1	26106-060082	BOLT, M6X 8 PLATED	4							

Remarks
 (1) Interchangeable by simultaneous replacement with Ref.12-1 and Ref.24-1...

Fig.6. COOLING & STARTING DEVICE



(A)=L70ADEVIT

(B)=

(C)=

(D)=

(E)=

(F)=

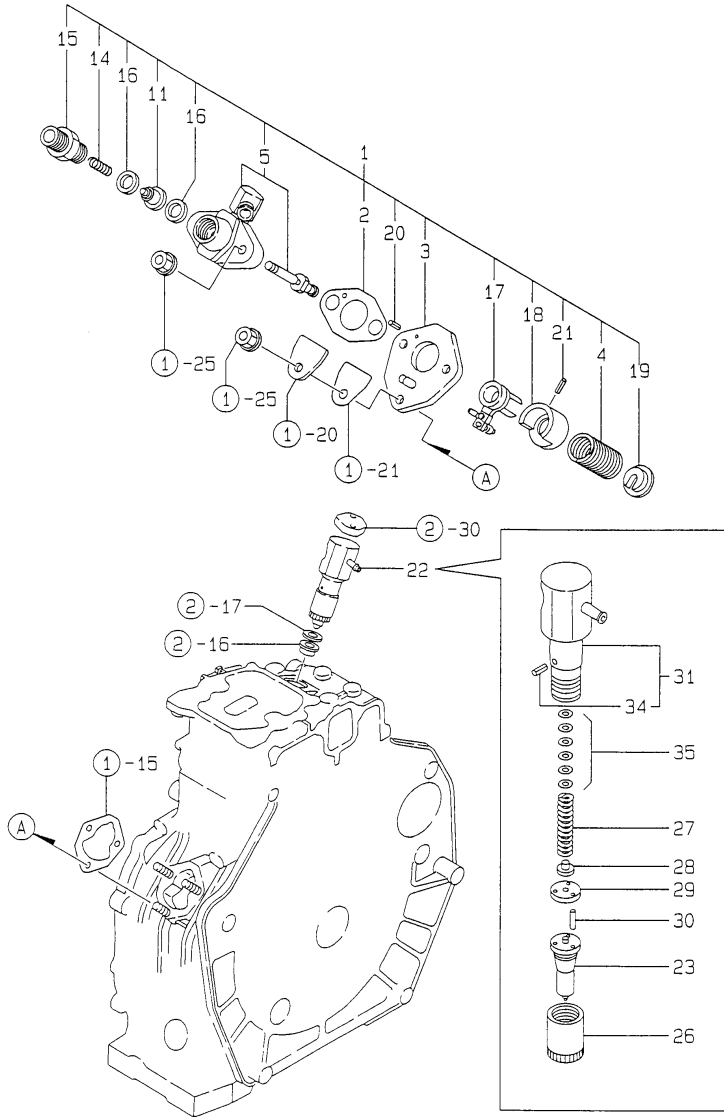
No.	Lev.	Parts No.	Description	Q'ty						I	R
				(A)	(B)	(C)	(D)	(E)	(F)		
26	1	26106-060122	BOLT, M6X 12 PLATED	3							
		(A=EZZZZZ)									
27	1	114250-76600	PLUNGER	1							
28	1	114250-76610	HOLDER, PLUNGER	1							

Remarks

(1) Interchangeable by simultaneous replacement with Ref.12-1 and Ref.24-1...

Fig.7. FUEL INJECTION PUMP

Y00D5391
L70ADEVIT



(A)=L70ADEVIT

(B)=

(C)=

(D)=

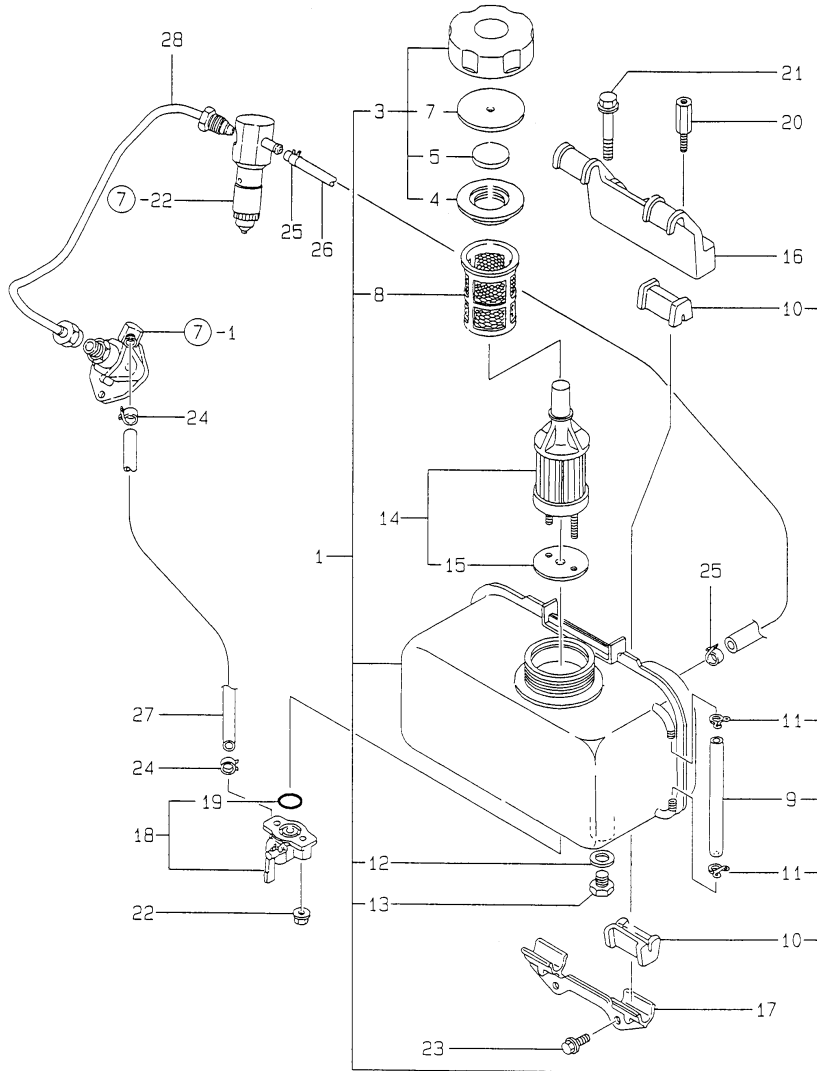
(E)=

(F)=

No.	Lev.	Parts No.	Description	Q'ty						I	R
				(A)	(B)	(C)	(D)	(E)	(F)		
1	1	714870-51700	PUMP ASSY, INJECTION	1							
2	2	105546-51020	GASKET	1							
3	2	114250-51080	PLATE	1							
4	2	114250-51160	SPRING, PLUNGER	1							
5	2	114350-51200	BODY ASSY, PUMP	1							
11	2	114250-51300	VALVE ASSY, DELIVERY	1							
14	2	105546-51330	SPRING, DELIVERY	1							
15	2	114250-51340	HOLDER, DELIVERY	1							
16	2	124550-51350	GASKET, DELIVERY	2							
17	2	114250-51600	LEVER ASSY, CONTROL	1							
18	2	114250-51640	SEAT, SPRING A	1							
19	2	114250-51650	SEAT, SPRING B	1							
20	2	22351-020006	PIN, SPRING 2.0X 6	2							
21	2	22351-030008	PIN, SPRING 3.0X 8	1							
22	1	714350-53100	VALVE ASSY,INJECTION	1							
23	2	114870-53000	VALVE ASSY,INJECTION	1							
26	2	114250-53080	NUT, NOZZLE D16.95	1							
27	2	114250-53120	SPRING, NOZZLE	1							
28	2	114250-53130	SEAT, SPRING	1							
29	2	114250-53140	PLATE	1							
30	2	114250-53210	PIN	2							
31	2	114250-53300	HOLDER ASSY, NOZZLE	1							
34	3	114250-53331	PIN	1							
35	2	114250-53400	SHIM SET	1							

Fig.8. FUEL TANK & FUEL LINE

Y00D5390
L70ADEVIT



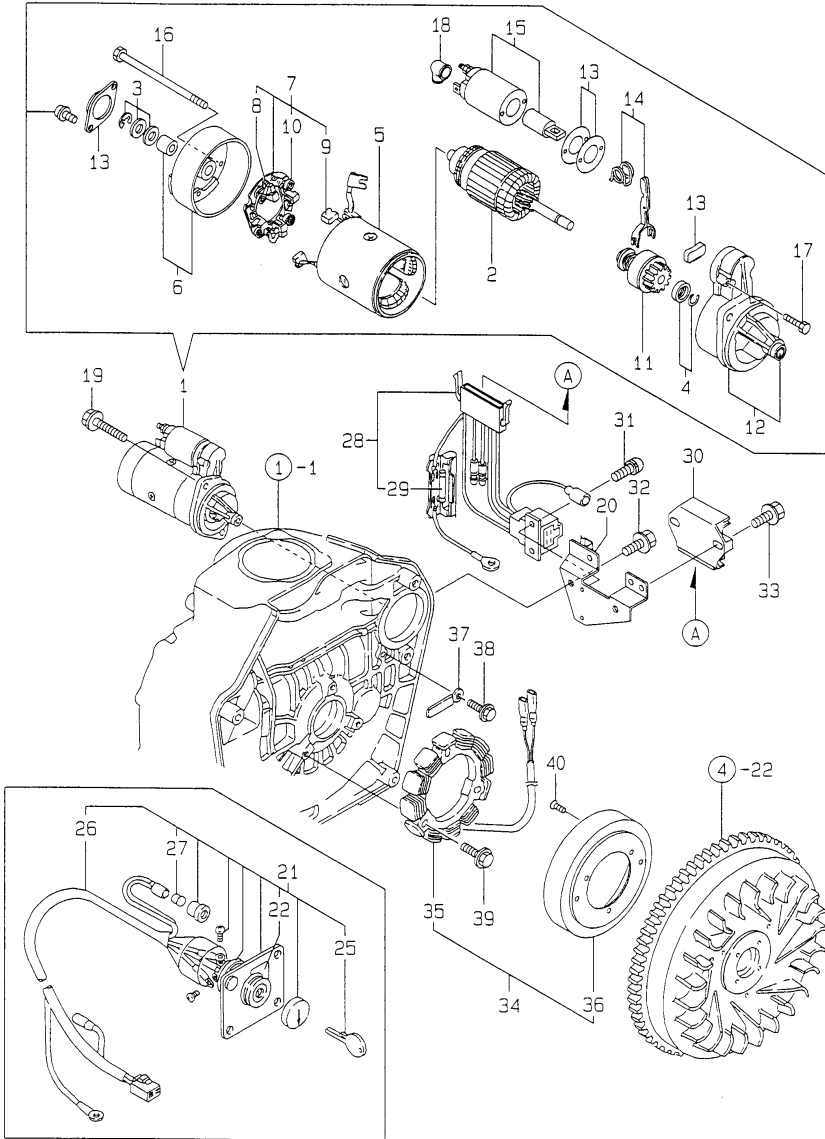
(A)=L70ADEVIT
(B)=
(C)=

(D)=
(E)=
(F)=

No.	Lev.	Parts No.	Description	Q'ty						I	R
				(A)	(B)	(C)	(D)	(E)	(F)		
1	1	714650-55701	TANK ASSY, FUEL	1							
3	2	114250-55041	CAP ASSY	1							
4	3	114250-55050	GASKET	1							
5	3	114250-55060	SEAL	1							
7	3	114250-55080	SEAT	1							
8	2	114250-55100	FILTER, FUEL	1							
9	2	114650-55150	GAUGE, LEVEL	1							
10	2	114250-55201	DAMPER, FUEL TANK	4							
11	2	124722-59050	CLIP, HOSE 9	2							
12	2	23414-080000	GASKET, 8X1.0	1							
13	2	105300-55080	PLUG, 8	1							
14	1	114250-55121	FILTER ASSY, FUEL	1							
15	2	114250-55130	GASKET	1							
16	1	114250-55211	STAY, FUEL TANK	1							
17	1	114350-55240	STAY, FUEL TANK	1							
18	1	114250-55300	COCK ASSY, FUEL	1							
19	2	24341-000150	O-RING, 1AS15.0	1							
20	1	114650-55810	BOLT	1							
21	1	26106-080452	BOLT, M8X 45 PLATED	1							
22	1	26366-060002	NUT, M6	2							
23	1	26476-060142	SCREW, TAPPING M6X14	2							
24	1	106990-44660	CLIP, HOSE 12.5	2							
25	1	124722-59050	CLIP, HOSE 9	2							
26	1	114250-59060	PIPE, FUEL RETURN	1							
27	1	114252-59050	PIPE, FUEL	1							
28	1	114350-59800	PIPE ASSY, INJECTION	1							

Fig.9. STARTING MOTOR & DYNAMO

Y0005390
L70ADEVIT



(A)=L70ADEVIT

(B)=

(C)=

(D)=

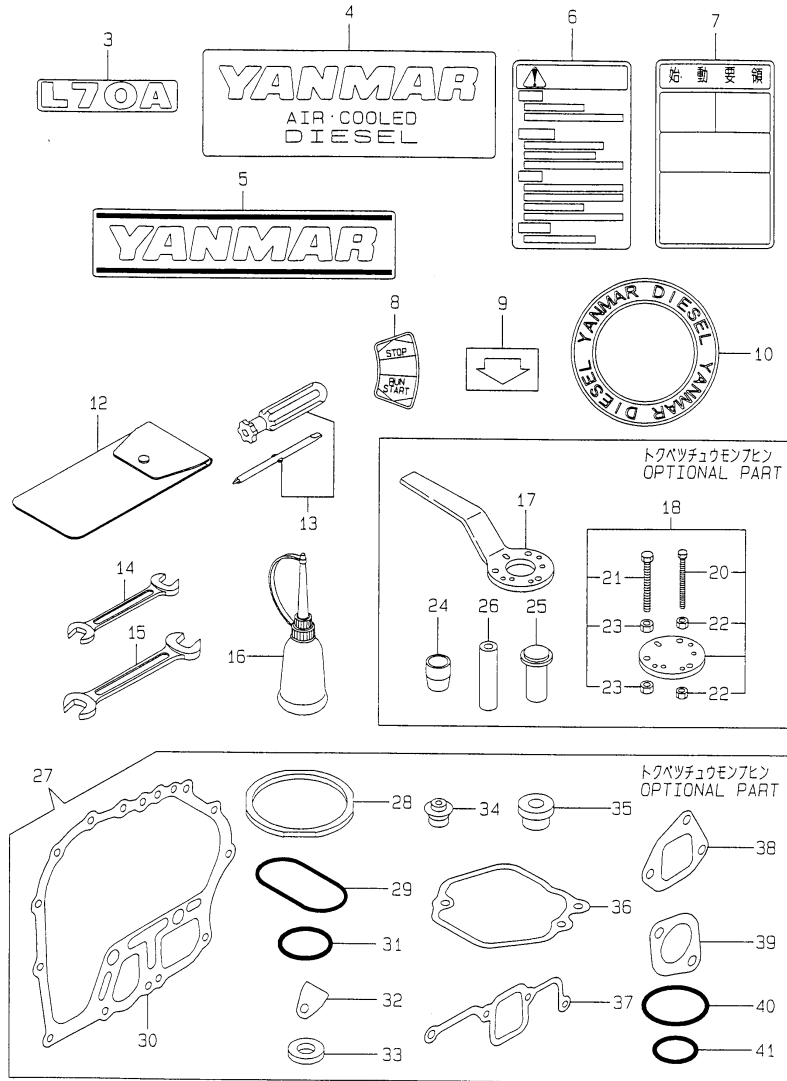
(E)=

(F)=

No.	Lev.	Parts No.	Description	Qty						I	R
				(A)	(B)	(C)	(D)	(E)	(F)		
1	1	114362-77011	STARTER(HITACHI 12V	1							
2	2	114381-77110	ARMATURE	1							
3	2	X211481000	WASHER KIT, THRUST	1							
4	2	X2114715500	STOPPER SET, PINION	1							
5	2	114381-77130	COIL ASSY, FIELD	1							
6	2	114381-77140	COVER, REAR	1							
7	2	114371-77160	HOLDER ASSY, BRUSH	1							
8	3	114371-79040	BRUSH (-)	2							
9	3	114371-79050	BRUSH (+)	1							
10	3	114371-79060	SPRING, BRUSH	4							
11	2	X2114455080	PINION ASSY	1							
12	2	114381-77150	HOUSING ASSY, GEAR	1							
13	2	114371-77170	COVER KIT, DUST	1							
14	2	X2114560130	LEVER KIT, SHIFT	1							
15	2	X2114275010	SWITCH ASSY, MAGNET	1							
16	2	X2114680050	BOLT, THROUGH	2							
17	2	114371-79070	BOLT M 6X 37	2							
18	2	X2114274200	COVER, TERMINAL	1							
19	1	26106-100302	BOLT, M10X 30 PLATED	2							
20	1	114385-77400	BRACKET	1							
21	1	114351-77500	PANEL ASSY	1							
22	2	105198-07120	LABEL, STARTER	1							
25	2	106100-77630	KEY, SWITCH	2							
26	2	114351-77700	HARNES, WIRE	1							
27	3	29220-083200	BULB (12V/3.4W)	1							
28	1	114351-77540	HARNES, WIRE	1							
29	2	29411-150000	FUSE, CARTRIDGE 15A	2							
30	1	119660-77710	LIMITER, CURRENT 15A	1							
31	1	114351-77550	SCREW, M4X6	2							
31-1	1	26023-040102	SCREW, M4X10	2							N
(A=FROM 1ST)											
32	1	26106-060122	BOLT, M6X 12 PLATED	2							
33	1	26106-060202	BOLT, M6X 20 PLATED	2							
34	1	114351-78261	DYNAMO ASSY	1							
35	2	114351-78771	STATOR ASSY	1							
36	2	114351-78781	WHEEL, DYNAMO	1							
37	1	160710-78710	CLAMP, CORD	1							
38	1	26476-060142	SCREW, TAPPING M6X14	1							
39	1	26476-060202	SCREW, TAPPING M6X20	3							
40	1	26577-060142	SCREW M 6X 14	3							

Fig.10. TOOL & LABEL

Y00D5390
L70ADEVIT



(A)=L70ADEVIT
(B)=
(C)=

(D)=
(E)=
(F)=

No.	Lev.	Parts No.	Description	Q'ty						I	R
				(A)	(B)	(C)	(D)	(E)	(F)		
3	1	114870-07050	LABEL(L70A)	1							
4	1	114250-07090	LABEL, AIR COOLED	1							
5	1	114250-07110	LABEL, YANMAR	1							
6	1	114250-07240	LABEL, CAUTION	1							
7	1	114250-07250	LABEL, HOW TO START	1							
8	1	114250-07260	LABEL, OPERATION	1							
9	1	114250-07270	LABEL, DECOMP.	1							
10	1	114250-07350	LABEL, YANMAR DIESEL	1							
12	1	114250-92600	BAG, TOOL	1							
13	1	160330-92730	DRIVE, SCREW	1							
14	1	28110-100120	SPANNER, 10X12	1							
15	1	28110-140170	SPANNER, 14X17	1							
16	1	28210-000150	OILER	1							
17	1	114250-92101	F.W. LOCKING HANDLE	1							1
18	1	114250-92130	REMOVER, FLYWHEEL	1							1
20	2	26116-060454	BOLT M 6X 45 PLATED	4							1
21	2	26116-080454	BOLT, M8X 45 PLATED	3							1
22	2	26716-060002	NUT, M6	8							1
23	2	26716-080002	NUT, M8	6							1
24	1	114350-92301	GUIDE, OIL SEAL	1							1
25	1	114350-92311	INSTALLING TOOL	1							1
26	1	114350-92350	INSTALLING TOOL	1							1
27	1	714881-92601	GASKET SET	1							1
28	2	114870-01340	GASKET, HEAD	1							
29	2	114350-01380	O-RING	1							
30	2	114350-01412	GASKET, CRANK CASE	1							
31	2	24311-000180	O-RING, 1AP18.0	2							
32	2	114250-01841	GASKET	1							
33	2	22190-160002	WASHER, SEAL 16	2							
34	2	114350-11340	SEAL, VALVE STEM	2							
35	2	114250-11460	GASKET, NOZZLE	1							
36	2	114250-11310	GASKET, BONNET	1							
37	2	114350-12202	GASKET, AIR INTAKE	1							
38	2	114250-12210	GASKET, AIR CLEANER	1							
39	2	114250-13201	GASKET, MUFFLER	1							
40	2	103338-32570	O-RING	1							
41	2	24341-000224	O-RING, 1AS22.4	1							

Remarks
(1)OPTIONAL PART.

Parts No. Index

Parts No.	Fig. No.	Ref. No.
101158-11180	2	9
102100-67080	5	30
103338-32570	5	7
	10	40
103854-01221	4	20
105010-11490	2	18
		29
105198-07120	9	22
105225-01240	1	11
105225-66990	5	42
105300-55080	8	13
105425-01690	1	33
105546-51020	7	2
105546-51330	7	14
106100-77630	9	25
106990-44660	8	24
114250-01800	1	15
114250-01830	1	20
114250-01841	1	21
	10	32
114250-02030	1	38
114250-03591	2	38
114250-03640	2	41
114250-07090	10	4
114250-07110	10	5
114250-07240	10	6
114250-07250	10	7
114250-07260	10	8
114250-07270	10	9
114250-07350	10	10
114250-11240	2	22
		27
114250-11290	2	12
114250-11310	2	35
	10	36
114250-11460	2	16
	10	35
114250-11600	2	19
114250-11651	2	20
114250-11900	2	30
114250-11951	2	36
114250-12210	3	1
	10	38
114250-12520	3	4
114250-12530	3	5
114250-12550	3	8
114250-12560	3	6
114250-12580	3	7
114250-13201	3	15
	10	39

Parts No.	Fig. No.	Ref. No.
114250-14200	4	6
114250-14260	4	7
114250-21550	4	21
114250-23200	4	43
114250-23220	4	44
114250-23250	4	45
114250-32010	5	1
114250-32070	5	6
114250-35070	5	10
114250-35150	1	45
114250-45300	6	7
114250-45310	6	8
114250-45330	6	9
114250-51080	7	3
114250-51160	7	4
114250-51300	7	11
114250-51340	7	15
114250-51600	7	17
114250-51640	7	18
114250-51650	7	19
114250-53080	7	26
114250-53120	7	27
114250-53130	7	28
114250-53140	7	29
114250-53210	7	30
114250-53300	7	31
114250-53331	7	34
114250-53400	7	35
114250-55041	8	3
114250-55050	8	4
114250-55060	8	5
114250-55080	8	7
114250-55100	8	8
114250-55121	8	14
114250-55130	8	15
114250-55201	8	10
114250-55211	8	16
114250-55300	8	18
114250-59060	8	26
114250-66200	5	44
114250-66440	5	31
114250-66550	5	45
114250-76600	6	27
114250-76610	6	28
114250-92101	10	17
114250-92130	10	18
114250-92600	10	12
114252-59050	8	27
114252-66252	5	29
114268-66200	5	32

Parts No.	Fig. No.	Ref. No.
114270-01600	1	22
114270-61520	5	25
114350-01200	1	8
114350-01210	1	9
114350-01220	1	10
114350-01250	1	12
114350-01380	1	14
	10	29
114350-01412	1	26
	10	30
114350-01700	1	6
114350-02100	1	30
114350-02113	1	39
114350-02200	1	46
114350-02210	1	47
114350-11101	2	6
114350-11113	2	7
114350-11120	2	8
114350-11340	2	15
	10	34
114350-11470	2	17
114350-12011	3	10
114350-12202	3	11
	10	37
114350-14450	4	8
114350-22301	4	38
114350-45320	6	2
114350-45340	6	3
114350-51200	7	5
114350-55240	8	17
114350-59800	8	28
114350-76590	6	24
114350-76591	6	24 -1
114350-92301	10	24
114350-92311	10	25
114350-92350	10	26
114351-77500	9	21
114351-77540	9	28
114351-77550	9	31
114351-77700	9	26
114351-78261	9	34
114351-78771	9	35
114351-78781	9	36
114352-13550	3	16
114360-01454	1	27
114360-45101	6	6
114362-21600	4	25
114362-77011	9	1
114370-45350	6	10
114371-77160	9	7

Parts No.	Fig. No.	Ref. No.
114371-77170	9	13
114371-79040	9	8
114371-79050	9	9
114371-79060	9	10
114371-79070	9	17
114380-23100	4	48 A
114381-77110	9	2
114381-77130	9	5
114381-77140	9	6
114381-77150	9	12
114385-77400	9	20
114650-55150	8	9
114650-55810	8	20
114650-66150	5	33
114652-66871	5	34
114652-66881	5	35
114654-66140	5	36
114770-61600	5	26
114770-61610	5	27
114870-01340	1	13
	10	28
114870-07050	10	3
114870-11020	2	1
114870-45201	6	1
114870-53000	7	23
114870-66010	5	43
114870-66770	5	50
114870-76530	6	15 -1
114870-76540	6	16 -1
114870-76560	6	17 -1
114870-76570	6	23 B
114870-76580	6	23 C
114870-76620	6	20 -1
114870-76630	6	21 -1
114880-76050	6	11
114880-76051	6	11 -1
114880-76250	6	12
114880-76251	6	12 -1
114880-76510	6	13
114880-76511	6	13 -1
114880-76520	6	14 -1
114880-76550	6	23 A
114881-21590	4	22
118200-23200	4	43 -1
119660-77710	9	30
121252-39450	1	44
124550-51350	7	16
124722-59050	8	11
		25
135210-61090	5	51

Parts No. Index

Parts No.	Fig. No.	Ref. No.
160110-02220	1	40
		41
160310-14550	4	27
160330-92730	10	13
160710-78710	9	37
160810-76520	6	14
160810-76540	6	16
160810-76580	6	18
160810-76620	6	20
160810-76630	6	21
160840-76530	6	15
160840-76560	6	17
160910-01740	1	34
181130-76680	6	22
181130-76700	6	23
183720-55210	6	4
22137-080000	5	28
22190-160002	1	37
	10	33
22252-000210	4	39
22312-030080	4	46
22312-030160	2	43
	5	8
22322-030200	5	18
		19
22351-020006	7	20
22351-030008	7	21
22351-040008	2	31
22451-060000	5	52
22512-040120	4	26
22512-070360	4	28
23414-080000	8	12
24101-062024	4	54
24162-152112	1	42
24311-000180	1	36
	10	31
24341-000150	8	19
24341-000224	5	11
	10	41
26023-040102	9	31 -1
26106-060082	6	25
26106-060122	3	17
	5	37
	6	26
	9	32
26106-060162	5	12
26106-060202	9	33
26106-060252	3	12
26106-060302	5	38
26106-060552	2	46

Parts No.	Fig. No.	Ref. No.
26106-080122	1	43
26106-080202	4	29
26106-080352	1	32
26106-080452	2	32
	8	21
26106-100122	1	7
26106-100302	9	19
26116-060454	10	20
26116-080454	10	21
26216-080182	3	18
26226-060142	3	13
26226-060182	1	23
26226-060222	1	24
26226-060502	2	33
26226-060552	3	14
26366-060002	1	25
	2	34
	3	9
	8	22
26366-080002	3	19
26476-060142	5	9
	8	23
	9	38
26476-060202	5	39
	6	5
	9	39
26577-060142	9	40
26716-060002	10	22
26716-080002	10	23
26756-060002	2	23
		28
26757-060002	5	40
		41
27310-060001	2	10
28110-100120	10	14
28110-140170	10	15
28210-000150	10	16
29220-083200	9	27
29411-150000	9	29
714250-12560	3	2
714350-23600	4	47
714350-23610	4	67
714350-23620	4	69
714350-23704	4	40
714350-28520	4	49
714350-53100	7	22
714350-61500	5	13
714360-21720	4	12
714360-21721	4	12 -1
714370-11660	2	24

Parts No.	Fig. No.	Ref. No.
714380-23600	4	47 -1
714380-23610	4	67 -1
714380-23620	4	69 -1
714380-23700	4	40 -1
714650-55701	8	1
714770-61700	5	20
714870-22500	4	32
714870-22540	4	57
714870-22550	4	63
714870-28510	4	49 -1
714870-51700	7	1
714871-01560	1	1
714880-14580	4	1
714880-22580	4	61
714880-22620	4	55
714880-22720	4	30
714881-92601	10	27
X2114274200	9	18
X2114275010	9	15
X2114455080	9	11
X2114560130	9	14
X2114680050	9	16
X2114715500	9	4
X2114811000	9	3

Parts No.	Fig. No.	Ref. No.
-----------	----------	----------