

0CD10-M52900EN

# PREFACE

1. This Parts Catalog is the 1st edition of L90ADEYW Diesel Engine for YANASE.

Pub. No. : 000Y00D5290  
Published : September, 1994

2. Model name

Engine model	Vehicle		Vehicle made by
	Products	Model name	
L90ADEYW	—	—	YANASE

## How to read this Parts Catalog.

1. Parts mentioned in Parts Catalog may not necessarily be standard equipping parts
2. Parts change may be made without prior notice.
3. Form of this Parts Catalog.

REF.	LEV.	PARTS No.	DESCRIPTION	QTY						I	R
				(A)	(B)	(C)	(D)	(E)	(F)		
1		729595-51390	FUEL INJECTION PUMP		1	1	1	1			
1-1	1	729595-51391	FUEL INJECTION PUMP	1	1	1	1	1		N	1
3	2	26022-060162	SCREW M 6X16		9	9	9	9	9		
1 3-1	2	26022-060162	SCREW M 6X16		4	4	4	4	4		K
4	2	129470-51040	CAMSHFT		9	9	9	9	9		
5	2	122710-51050	BEARING. ROLLER		9	9	9	9	9		
6	2	129470-51060	RETAINER		9	9	9	9	9		

Remarks	
(1)	BOOST COMPEMSATOR TYPE. OPTIONAL PART. TO E#00155 (4JH-DT, 4JH-DTZ)

### ① Ref. No.

The Ref. No. in the list may not be in accordance with the Ref. No. on illustration.

(Ex.) illustration No, List heed No,

1 1 (Before change) → 1-1 (After change)

When interchangeable symbol N, and k, illustrations for the new parts are sometimes omitted.

### ② Lev. (Level)

Indication and Meaning of Level

Level Hereunder is given the relation among the number of number (1,2,3) the level and the nominal parent-child relationship.

1 ---- Parent parts (Assembly parts)

2 ---- Child parts included in " 1 " (Semi-Assembly parts, component parts of Assembly parts.)

3 ---- Child parts included in " 2 ", Grand-child parts in terms of " 1 ".

(Component parts of Semi-Assembly parts.)

Note) A parts of non-sale parts are illustrated but not listed.




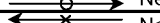
### ③ Change Mark

Change Mark " I " is given to the part for which a design change was made at this time.

The design change was not shown in the last published Parts Catalog.

### ④ Interchangeability Mark

In the case where a part change took place, one of the following interchangeability marks is indicated for that part

Symbol	Interchangeability	Contents note
N	Old ←  New	New Part is interchangeable for Old Part but not interchangeable conversely.
Q	Old ←  New	New Part is not interchangeable for Old Part but interchangeable conversely.
R	Old ←  New	New Part is interchangeable for Old Part and vice versa.
S	Old ←  New	New Part is not interchangeable for Old Part and vice versa.
W		Part newly added.
Z		Part discontinued.
F		Not interchangeable single part but interchangeable by set of the related parts.
K		Changed only in quantity used.

### ⑤ Effective Machine No.

When a part is changed, Effective Machine No. of a Model for which the part is applicable is indication

In each column of (A)-(F).

Product Symbol	Product No.	Product Symbol	Product No.
C	Clutch No, Compressor No,	M	Machine No,
D	Drive No,	T	Tractor No,
E	Engine No,	Note 1)※	Date

Note 1) Date may follow the symbol in some cases. (Ex.) ※1996.01

Note 2) As far as engine models shown by " XXX " are concerned, the modification of the parts could not be Predicted or the engine models themselves could not be identified.

Note 3) (A=E/#00185) means that the design change on the part has been effective for the model at the, column (A) (in the case, for 4JH-DT) on and from E/(Engine Serial Number) 00185

### ⑥ Remarks Mark

Figures or alphabets (Symbols) are entered in the remark column.

The comments (remarks) on the pertinent parts are indicated in the lower part of the list by the same symbols a those stated above.

# Contents

Fig. No.    Fig. Name

## ENGINE L90ADEYW

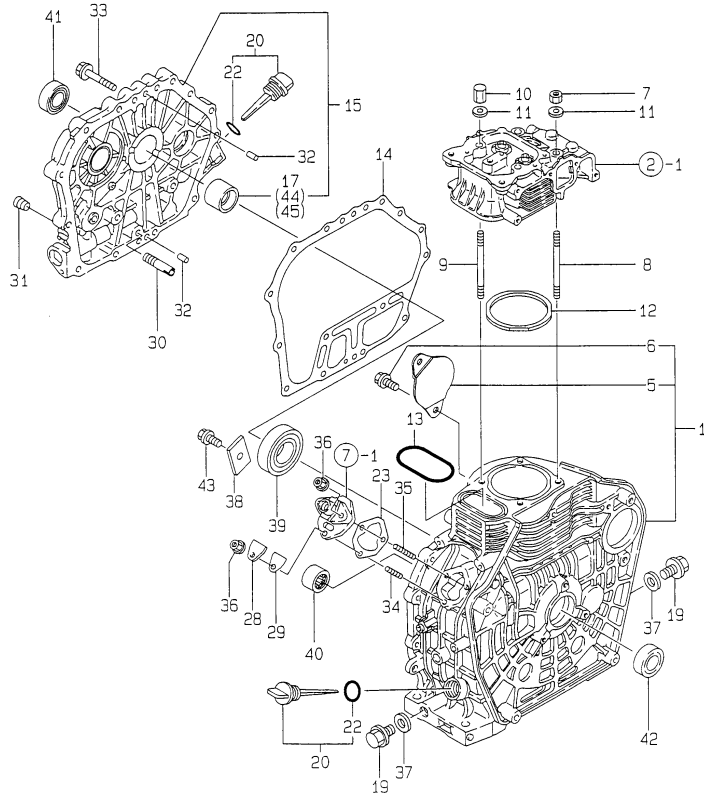
1. CYLINDER BLOCK
2. CYLINDER HEAD & BONNET
3. AIR CLEANER & MUFFLER
4. CRANKSHAFT,PISTON & CAMSHAFT
5. LUB.OIL PUMP & GOVERNOR
6. COOLING DEVICE
7. FUEL INJECTION PUMP
8. FUEL TANK & FUEL LINE
9. STARTING MOTOR & DYNAMO
10. TOOL & GASKET SET

Fig. No.    Fig. Name

# Fig.1. CYLINDER BLOCK

Y00D5290  
L90ADEYW

D14671-01100  
D14680-01500  
D14370-01710  
D14680-02100  
D14280-39100



(A)=L90ADEYW

(B)=

(C)=

(D)=

(E)=

(F)=

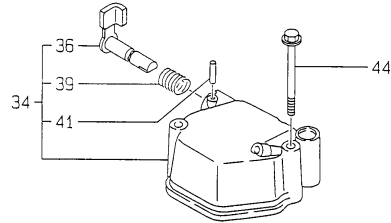
No.	Lev.	Parts No.	Description	Q'ty						I	R
				(A)	(B)	(C)	(D)	(E)	(F)		
1	1	714671-01560	BLOCK ASSY, CYLINDER	1							
5	2	114350-01700	COVER	1							
6	2	26106-100122	BOLT, M10X 12 PLATED	2							
7	1	105025-01220	NUT, CYLINDER HEAD	2							
8	1	114650-01230	BOLT, HEAD	2							
9	1	114650-01240	BOLT, HEAD	2							
10	1	114650-01250	NUT, CYLINDER HEAD	2							
11	1	114650-01260	WASHER	4							
12	1	114650-01340	GASKET, HEAD	1							G
13	1	114650-01380	O-RING	1							G
14	1	114650-01412	GASKET, CRANK CASE	1							G
15	1	114660-01471	COVER, CRANK CASE	1							
17	2	114650-02100	BEARING, MAIN	1							1
19	1	105425-01690	PLUG, 16	2							
20	1	160910-01740	CAP ASSY	2							
22	2	24311-000180	O-RING, 1AP18.0	2							G
23	1	114250-01800	SHIM SET	1							
28	1	114250-01830	COVER	1							
29	1	114250-01840	GASKET	1							G
30	1	114250-35150	PIPE, OIL INLET	1							
31	1	23871-010000	PLUG, R01	1							
32	1	114270-01600	PIN, M8X12	2							
33	1	26106-080352	BOLT, M8X 35 PLATED	16							
34	1	26226-060182	STUD, M6X 18	1							
35	1	26226-060222	STUD, M6X 22	2							
36	1	26366-060002	NUT, M6	3							
37	1	22190-160002	WASHER, SEAL 16	2							G
38	1	114250-02030	RETAINER, BEARING	1							
39	1	114650-02150	BEARING, HR6308G3C3	1							
40	1	24162-152112	BEARING, 152112	1							
41	1	24423-355008	SEAL, OIL TC355008	1							
42	1	24423-355008	SEAL, OIL TC355008	1							
43	1	26106-080122	BOLT, M8X 12 PLATED	1							
44	1	114650-02200	BEARING, 0.25 US	1							2
45	1	114650-02210	BEARING, 0.50 US	1							3

**Remarks**

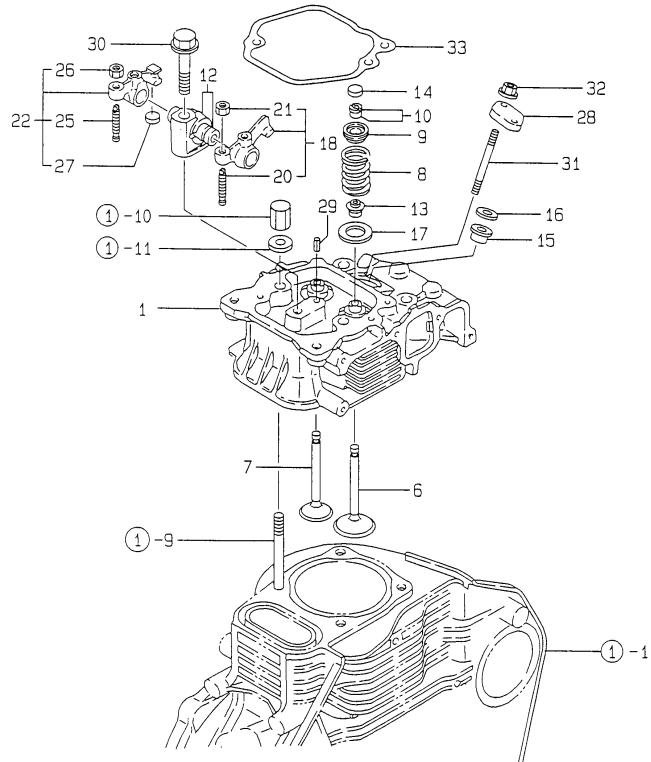
- (1) REPAIR PART.
- (2) UNDER-SIZED(U.S=0.25)PART.
- (3) UNDER-SIZED(U.S=0.50)PART.
- (G) THESE PARTS ARE SOLD BY FIG.10, REF.NO.16.

Fig.2. CYLINDER HEAD & BONNET

Y0005290  
L90ADEYW



014650-11101  
014650-11200



(A)=L90ADEYW

(B)=

(C)=

(D)=

(E)=

(F)=

No.	Lev.	Parts No.	Description	Q'ty						I	R
				(A)	(B)	(C)	(D)	(E)	(F)		
1	1	114650-11010	HEAD ASSY, CYLINDER	1							
6	1	114650-11100	VALVE, INTAKE	1							
7	1	114654-11110	VALVE, EXHAUST	1							
8	1	114650-11121	SPRING, VALVE	2							
9	1	119620-11180	RETAINER, SPRING	2							
10	1	27310-070001	COTTER, 7	2							
12	1	114650-11261	SUPPORT, ROCKER ARM	1							
13	1	114650-11340	SEAL, VALVE STEM	2							G
14	1	104211-11370	CAP, VALVE	1							
15	1	114250-11460	GASKET, NOZZLE	1							G
16	1	114350-11470	SPACER, NOZZLE	1							
17	1	114650-11600	WASHER	2							
18	1	114650-11652	ARM, ROCKER	1							
20	2	114250-11240	SCREW, VALVE ADJUST	1							
21	2	26756-060002	NUT, LOCK M6	1							
22	1	714670-11660	ARM ASSY, ROCKER	1							
25	2	114250-11240	SCREW, VALVE ADJUST	1							
26	2	26756-060002	NUT, LOCK M6	1							
27	2	104211-11370	CAP, VALVE	1							
28	1	114250-11900	RETAINER, NOZZLE	1							
29	1	22351-040008	PIN, SPRING 4.0X 8	1							
30	1	26106-100552	BOLT, M10X 55 PLATED	1							
31	1	26226-060502	STUD, M6X 50	2							
32	1	26366-060002	NUT, M6	2							
33	1	114650-11310	GASKET, BONNET	1							G
34	1	114650-11951	BONNET ASSY, HEAD	1							
36	2	114250-03591	LEVER ASSY	1							
39	2	114250-03640	SPRING, DECOMPRESSION	1							
41	2	22312-030160	PIN, PARALLEL M3X16	1							
44	1	26106-060702	BOLT, M6X 70 PLATED	2							

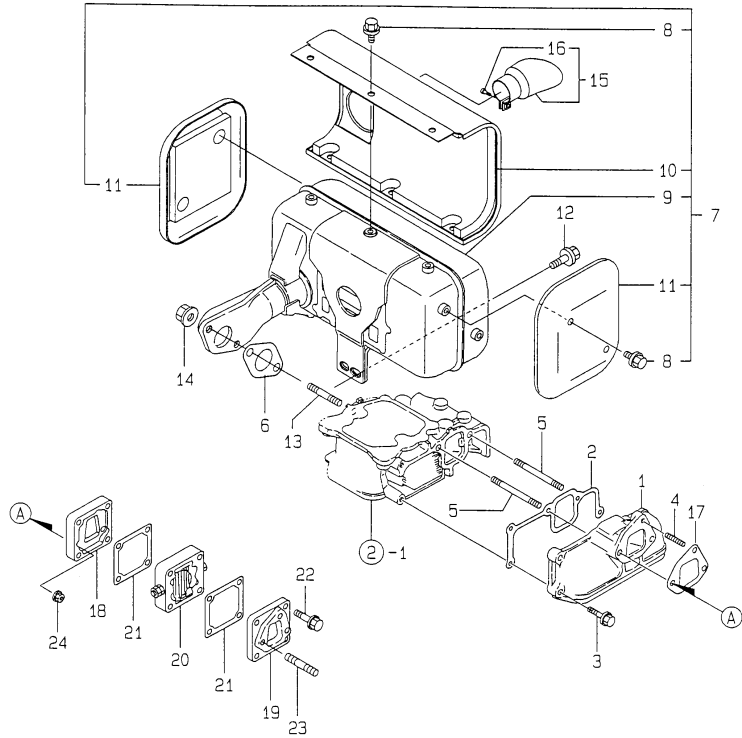
Remarks

(G) THESE PARTS ARE SOLD BY FIG.10,  
REF.NO.16.

# Fig.3. AIR CLEANER & MUFFLER

Y0005290  
L90ADEYW

014670-12500  
014670-12600  
014970-13101  
014670-13800  
014670-13600  
014670-77700



(A)=L90ADEYW  
(B)=  
(C)=

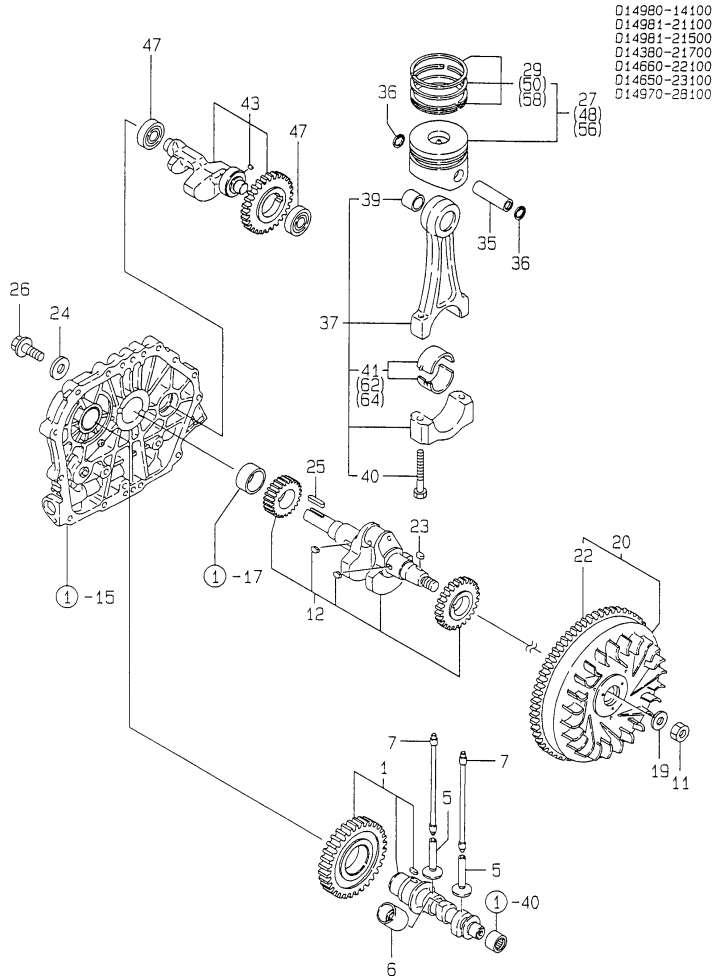
(D)=  
(E)=  
(F)=

No.	Lev.	Parts No.	Description	Q'ty						I	R
				(A)	(B)	(C)	(D)	(E)	(F)		
1	1	114650-12020	PIPE, AIR INTAKE	1							
2	1	114650-12300	GASKET	1							G
3	1	26106-060252	BOLT, M6X 25 PLATED	3							
4	1	26226-060142	STUD, M6X 14	1							
5	1	26226-060752	STUD, M6X 75	2							
6	1	114650-13200	GASKET, MUFFLER	1							G
7	1	114970-13550	MUFFLER ASSY	1							
8	2	160260-01580	BOLT, FLANGE M6X6	10							
9	2	114970-13560	MUFFLER	1							
10	2	114970-13700	COVER	1							
11	2	114970-13710	COVER	2							
12	1	26106-080182	BOLT, M8X 18 PLATED	1							
13	1	26226-080202	STUD, M8X 20	2							
14	1	26366-080002	NUT, M8	2							
15	1	114650-13800	EXTENSION ASSY	1							
16	2	26554-060182	SCREW, M6X18	1							
17	1	114650-12210	GASKET, AIR CLEANER	1							
18	1	114652-12220	SPACER	1							
19	1	114652-12230	SPACER	1							
20	1	129100-77500	HEATER, AIR 12V	1							
21	1	129100-77510	GASKET, AIR HEATER	2							
22	1	26106-080402	BOLT, M8X 40 PLATED	4							
23	1	26226-060142	STUD, M6X 14	3							
24	1	26366-060002	NUT, M6	3							

Remarks  
(G) THESE PARTS ARE SOLD BY FIG.10,  
REF.NO.16.

Fig.4. CRANKSHAFT,PISTON & CAMSHAFT

Y00D5290  
L90ADEYW



(A)=L90ADEYW

(B)=

(C)=

(D)=

(E)=

(F)=

No.	Lev.	Parts No.	Description	Q'ty						I	R
				(A)	(B)	(C)	(D)	(E)	(F)		
1	1	714689-14580	CAMSHAFT ASSY	1							
5	1	114650-14200	TAPPET	2							
6	1	114250-14260	TAPPET	1							
7	1	114650-14401	ROD ASSY, PUSH	2							
11	1	122710-01220	NUT, CYLINDER HEAD	1							
12	1	714685-21710	CRANKSHAFT ASSY	1							
19	1	114650-21551	WASHER	1							
20	1	114662-21592	FLYWHEEL ASSY	1							
22	2	114662-21601	GEAR, RING	1							
23	1	22512-050140	KEY, 5X 14	1							
24	1	160310-14550	WASHER	1							
25	1	22512-070360	KEY, 7X 36	1							
26	1	26106-080202	BOLT, M8X 20 PLATED	1							
27	1	714660-22723	PISTON ASSY, D	1							
29	2	714650-22502	RING SET, PISTON	1							
35	1	114650-22300	PIN, PISTON D=23	1							
36	1	129792-22400	CIRCLIP, 23	2							
37	1	714650-23700	ROD ASSY, CONNECTING	1							
39	2	124060-23100	BEARING, PISTON PIN	1							
40	2	104200-23201	BOLT, CONNECTING ROD	2							
41	2	714650-23600	BEARING, CRANK PIN	1							
43	1	714970-28510	SHAFT ASSY, BALANCER	1							
47	1	24101-062034	BEARING, BALL 6203	2							
48	1	714660-22624	PISTON ASSY, 0.25 OS	1							1
50	2	714650-22542	RING SET, 0.25 OS	1							1
56	1	714660-22580	PISTON ASSY, 0.50 OS	1							1
58	2	714650-22550	RING SET, 0.50 OS	1							1
62	1	714650-23610	BEARING ASSY, 0.25	1							2
64	1	714650-23620	BEARING, 0.50 US	1							2

Remarks

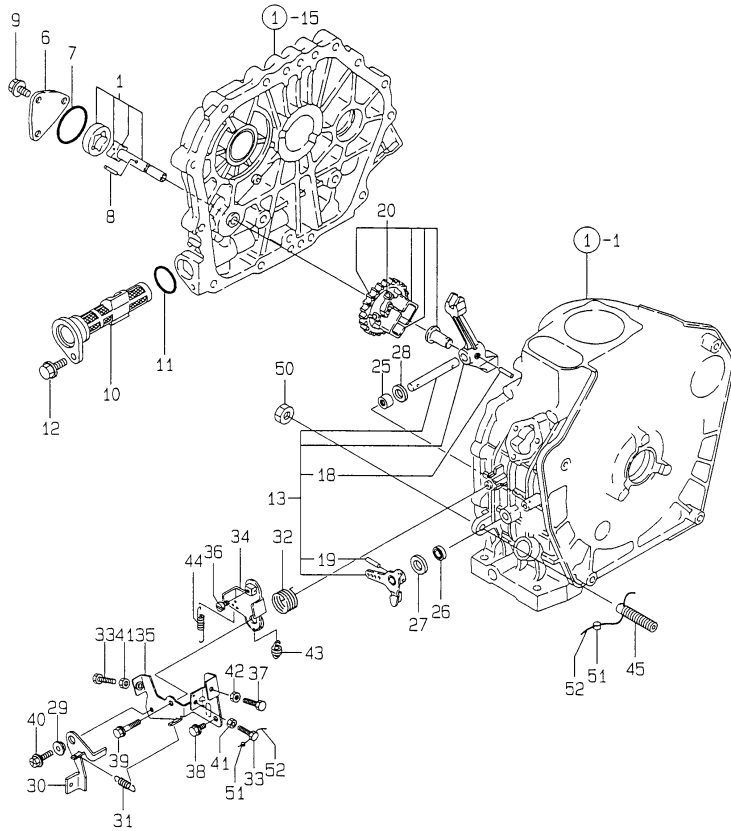
- (1) OVER-SIZED PART.
- (2) UNDER-SIZED PART.



Fig.5. LUB.OIL PUMP & GOVERNOR

Y00D5290  
L90ADEYH

014970-32100  
014250-35110  
014970-61100  
014389-66100  
014670-66500  
014270-66800



(A)=L90ADEYW

(B)=

(C)=

(D)=

(E)=

(F)=

No.	Lev.	Parts No.	Description	Q'ty						I	R
				(A)	(B)	(C)	(D)	(E)	(F)		
1	1	114650-32010	PUMP ASSY, OIL	1							
6	1	114250-32070	COVER	1							
7	1	103338-32570	O-RING	1							G
8	1	22312-030160	PIN, PARALLEL M3X16	1							
9	1	26476-060142	SCREW, TAPPING M6X14	3							
10	1	114250-35070	FILTER, OIL	1							
11	1	24341-000224	O-RING, 1AS22.4	1							G
12	1	26106-060162	BOLT, M6X 16 PLATED	1							
13	1	714650-61500	LEVER ASSY, GOVERNOR	1							
18	2	22322-030200	PIN, TAPER 3X20	1							
19	2	22322-030200	PIN, TAPER 3X20	1							
20	1	714650-61700	GOVERNOR ASSY	1							
25	1	114270-61520	BEARING, NEEDLE 8	2							
26	1	114770-61600	SEAL, OIL	1							
27	1	114770-61610	WASHER, THRUST	1							
28	1	22137-080000	WASHER, 8	1							
29	1	114654-66140	PIECE	1							
30	1	114650-66150	LEVER, STOP	1							
31	1	114268-66200	SPRING, RETURN	1							
32	1	114252-66252	SPRING, RETURN	1							
33	1	114250-66440	BOLT, ADJUSTING	2							
34	1	114652-66871	LEVER, REGULATOR	1							
35	1	114652-66881	BRACKET	1							
36	1	105225-66990	SCREW, M5X8.5	1							
37	1	102100-67080	BOLT, ADJUSTING	1							
38	1	26106-060122	BOLT, M6X 12 PLATED	1							
39	1	26106-060302	BOLT, M6X 30 PLATED	1							
40	1	26476-060202	SCREW, TAPPING M6X20	1							
41	1	26757-060002	NUT, LOCK M6	2							
42	1	26757-060002	NUT, LOCK M6	1							
43	1	114970-66010	SPRING, REGULATOR	1							
44	1	114250-66200	SPRING, RETURN	1							
45	1	114650-66500	LIMITER ASSY, FUEL	1							
50	1	26696-100002	NUT, LOCK M10	1							
51	1	135210-61090	LEAD	2							
52	1	22451-060000	WIRE, 0.6	2							

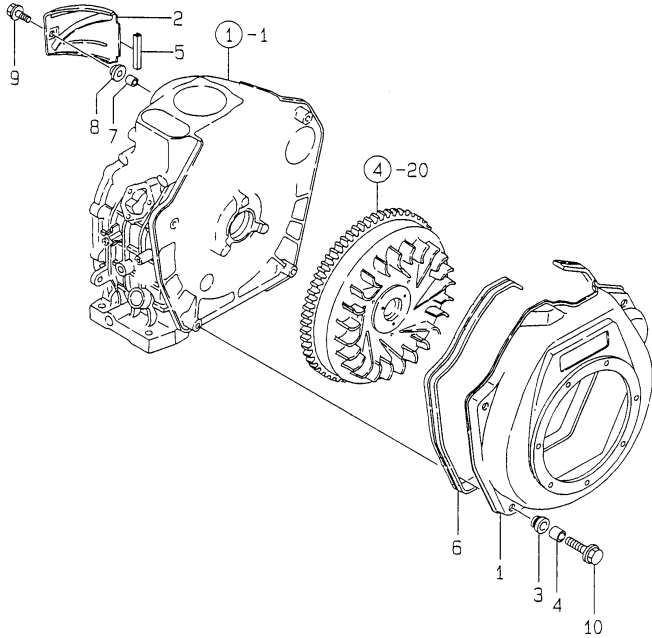
Remarks

(G) THESE PARTS ARE SOLD BY FIG.10,  
REF.NO.16.

Fig.6. COOLING DEVICE

Y00D5290  
L90ADEYW

D14670-45100  
D14680-4550017  
D14670-45700



(A)=L90ADEYW  
(B)=  
(C)=

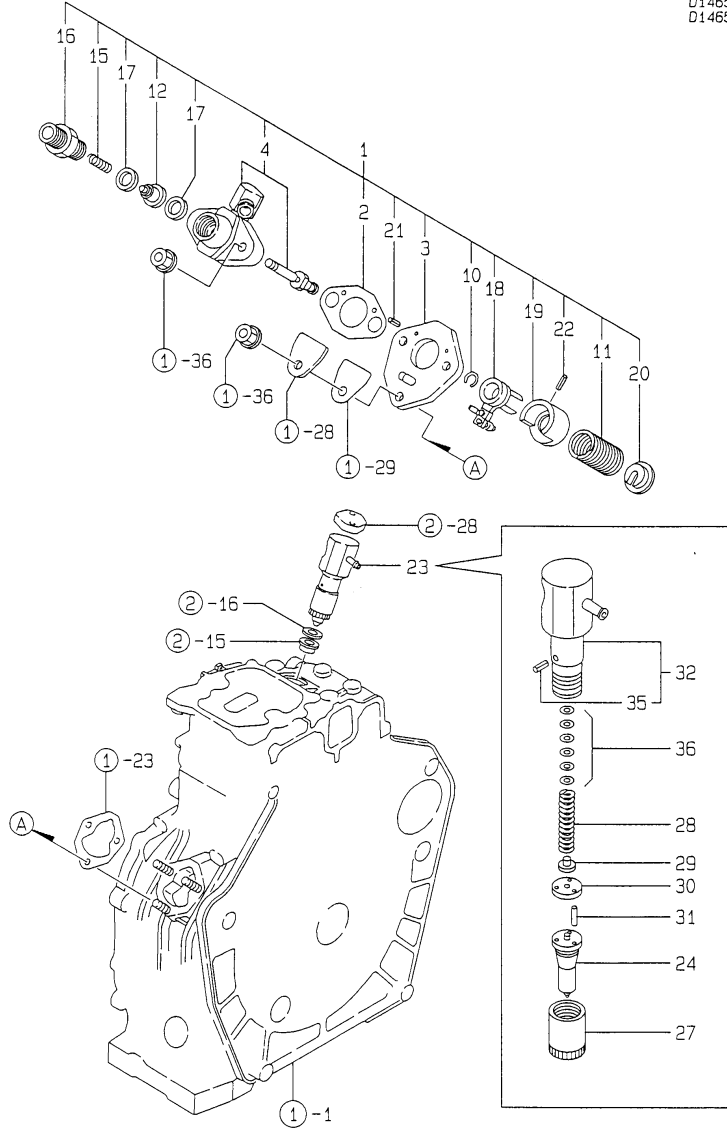
(D)=  
(E)=  
(F)=

No.	Lev.	Parts No.	Description	Q'ty						I	R
				(A)	(B)	(C)	(D)	(E)	(F)		
1	1	114668-45102	CASE, COOLING FAN	1							
2	1	114650-45200	COVER	1							
3	1	114250-45300	ABSORBER	4							
4	1	114250-45310	COLLAR	4							
5	1	114350-45320	RUBBER, SEAL	1							
6	1	114650-45330	SEAL, FAN CASE L=950	1							
7	1	114350-45340	COLLAR	1							
8	1	183720-55210	GROMMET	1							
9	1	26476-060202	SCREW, TAPPING M6X20	1							
10	1	114370-45350	BOLT	4							

# Fig.7. FUEL INJECTION PUMP

Y00D5290  
L90ADEYW

D14650-51100  
D14650-53100



(A)=L90ADEYW  
(B)=  
(C)=

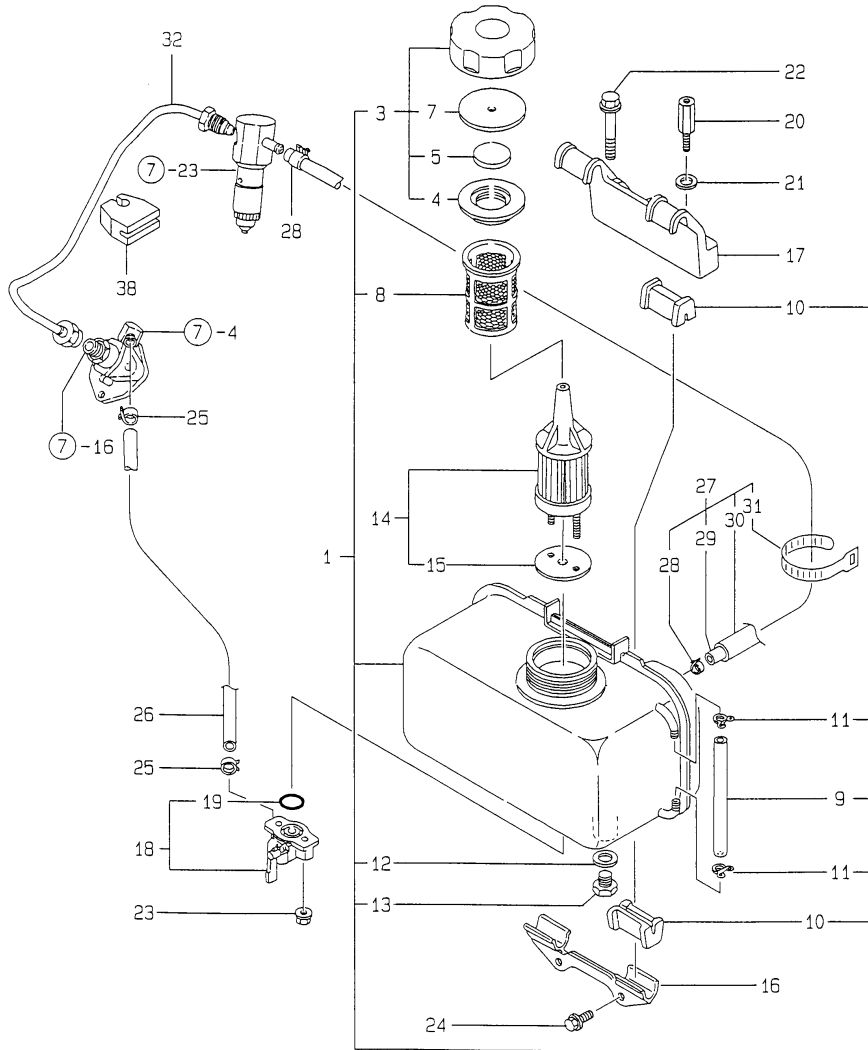
(D)=  
(E)=  
(F)=

No.	Lev.	Parts No.	Description	Q'ty						I	R
				(A)	(B)	(C)	(D)	(E)	(F)		
1	1	714650-51700	PUMP ASSY, INJECTION	1							
2	2	105546-51020	GASKET	1							
3	2	114250-51080	PLATE	1							
4	2	114650-51100	BODY ASSY, PUMP	1							
10	2	114250-51150	RING, SNAP	1							
11	2	114250-51160	SPRING, PLUNGER	1							
12	2	114650-51300	VALVE ASSY, DELIVERY	1							
15	2	105546-51330	SPRING, DELIVERY	1							
16	2	114250-51340	HOLDER, DELIVERY	1							
17	2	124550-51350	GASKET, DELIVERY	2							
18	2	114250-51600	LEVER ASSY, CONTROL	1							
19	2	114250-51640	SEAT, SPRING A	1							
20	2	114250-51650	SEAT, SPRING B	1							
21	2	22351-020006	PIN, SPRING 2.0X 6	2							
22	2	22351-030008	PIN, SPRING 3.0X 8	1							
23	1	714650-53100	VALVE ASSY, INJECTION	1							
24	2	114650-53000	VALVE ASSY, INJECTION	1							
27	2	114250-53080	NUT, NOZZLE D16.95	1							
28	2	114250-53120	SPRING, NOZZLE	1							
29	2	114250-53130	SEAT, SPRING	1							
30	2	114250-53140	PLATE	1							
31	2	114250-53210	PIN	2							
32	2	114650-53300	HOLDER ASSY, NOZZLE	1							
35	3	114250-53331	PIN	1							
36	2	114250-53400	SHIM SET	1							

Fig.8. FUEL TANK & FUEL LINE

Y00D5290  
L90ADEYW

D14650-5510013  
D14650-59111  
D14667-59200



(A)=L90ADEYW

(B)=

(C)=

(D)=

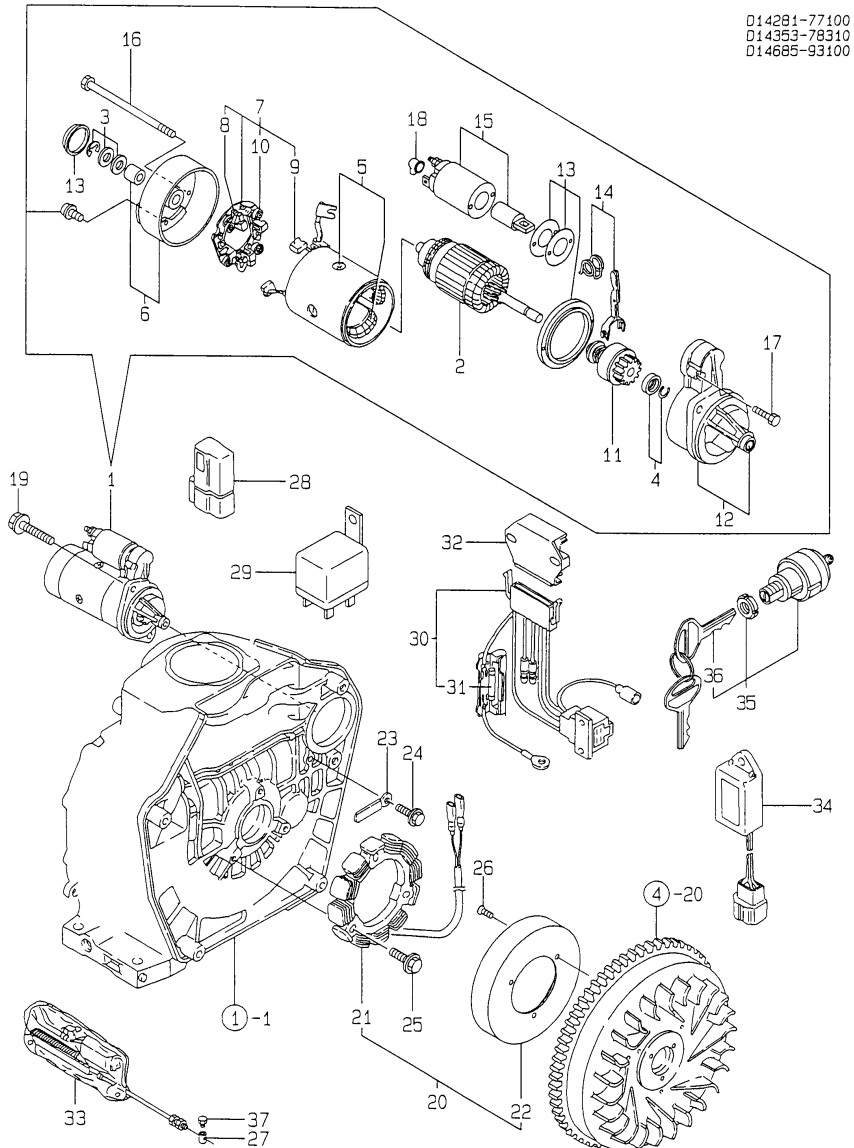
(E)=

(F)=

No.	Lev.	Parts No.	Description	Q'ty						I	R
				(A)	(B)	(C)	(D)	(E)	(F)		
1	1	714650-55701-1	TANK ASSY, FUEL	1							
3	2	114250-55041	CAP ASSY	1							
4	3	114250-55050	GASKET	1							
5	3	114250-55060	SEAL	1							
7	3	114250-55080	SEAT	1							
8	2	114250-55100	FILTER, FUEL	1							
9	2	114650-55150	GAUGE, LEVEL	1							
10	2	114250-55201	DAMPER, FUEL TANK	4							
11	2	124722-59050	CLIP, HOSE 9	2							
12	2	23414-120000	GASKET, 12X1.0	1							
13	2	23887-120002	PLUG, 12	1							
14	1	114650-55120	FILTER ASSY, FUEL	1							
15	2	114250-55130	GASKET	1							
16	1	114250-55211	STAY, FUEL TANK	1							
17	1	114650-55230	STAY, FUEL TANK	1							
18	1	114250-55300	COCK ASSY, FUEL	1							
19	2	24341-000150	O-RING, 1AS15.0	1							
20	1	114650-55810	BOLT	1							
21	1	22117-080000	WASHER, 8	1							
22	1	26106-080452	BOLT, M8X 45 PLATED	1							
23	1	26366-060002	NUT, M6	2							
24	1	26476-060142	SCREW, TAPPING M6X14	2							
25	1	106990-44660	CLIP, HOSE 12.5	2							
26	1	114250-59050	PIPE, FUEL L=46	1							
27	1	114652-59300	PIPE, FUEL RETURN	1							
28	2	124722-59050	CLIP, HOSE 9	2							
29	2	114250-59060	PIPE, FUEL RETURN	1							
30	2	114652-59310	TUBE, PROTECT	1							
31	2	121750-59890	BAND, 140	1							
32	1	114650-59800	PIPE ASSY, INJECTION	1							
38	1	114650-59850	SUPPORT	1							

# Fig.9. STARTING MOTOR & DYNAMO

Y00D5290  
L90ADEYW



D14281-77100  
D14353-78310  
D14685-93100

(A)=L90ADEYW

(B)=

(C)=

(D)=

(E)=

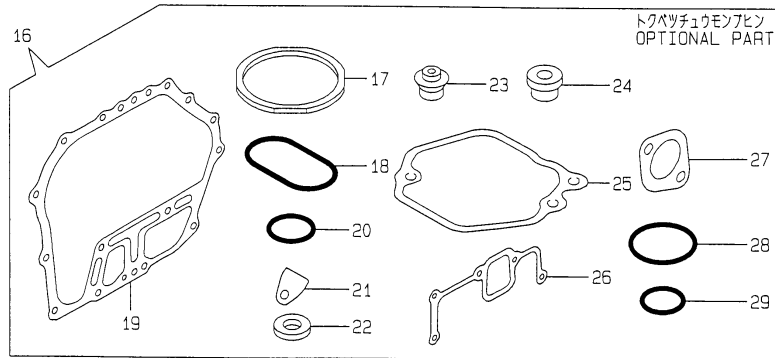
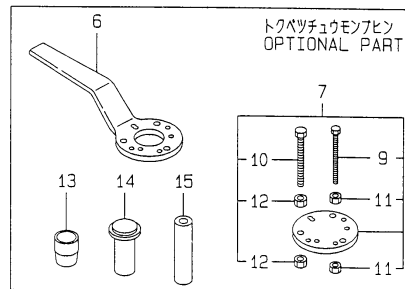
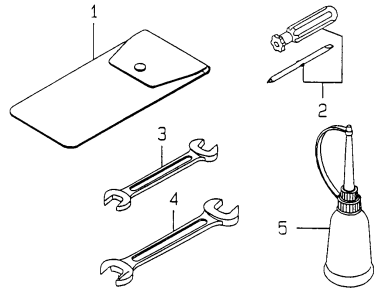
(F)=

No.	Lev.	Parts No.	Description	Qty						I	R
				(A)	(B)	(C)	(D)	(E)	(F)		
1	1	114362-77011	STARTER (S114-414A)	1							
2	2	114381-77110	ARMATURE	1							
3	2	X2114811000	WASHER KIT, THRUST	1							
4	2	X2114715500	STOPPER SET, PINION	1							
5	2	114381-77130	COIL ASSY, FIELD	1							
6	2	114381-77140	COVER, REAR	1							
7	2	114371-77160	HOLDER ASSY, BRUSH	1							
8	3	114371-79040	BRUSH (-)	2							
9	3	114371-79050	BRUSH (+)	1							
10	3	114371-79060	SPRING, BRUSH	3							
11	2	X2114455080	PINION ASSY	1							
12	2	114381-77150	HOUSING ASSY, GEAR	1							
13	2	114371-77170	COVER KIT, DUST	1							
14	2	X2114560130	LEVER KIT, SHIFT	1							
15	2	X2114275010	SWITCH ASSY, MAGNET	1							
16	2	X2114680050	BOLT, THROUGH	2							
17	2	114371-79070	BOLT 6	2							
18	2	X2114274200	COVER, TERMINAL	1							
19	1	26106-100302	BOLT, M10X 30 PLATED	2							
20	1	114351-78261	DYNAMO ASSY	1							
21	2	114351-78771	STATOR ASSY	1							
22	2	114351-78781	WHEEL, DYNAMO	1							
23	1	160710-78710	CLAMP, CORD	1							
24	1	26476-060142	SCREW, TAPPING M6X14	1							
25	1	26476-060202	SCREW, TAPPING M6X20	3							
26	1	26577-060142	SCREW M 6X 14	3							
27	1	106500-44870	STOPPER	1							
28	1	119643-66900	DIODE	1							
29	1	121522-77101	RELAY, SAFETY	1							
30	1	114351-77540	HARNES, WIRE	1							
31	2	29411-150000	FUSE, CARTRIDGE 15A	2							
32	1	119660-77710	LIMITER, CURRENT 15A	1							
33	1	114654-77900	STOPPER ASSY	1							
34	1	128300-77920	TIMER	1							
35	1	121400-91251	SWITCH, STARTER	1							
36	2	121400-91271	KEY, SWITCH	2							
37	1	26117-040088		1							

# Fig.10. TOOL & GASKET SET

Y00D5290  
L90ADEYW

D14685-07160  
D14250-92100



(A)=L90ADEYW  
(B)=  
(C)=

(D)=  
(E)=  
(F)=

No.	Lev.	Parts No.	Description	Q'ty						I	R
				(A)	(B)	(C)	(D)	(E)	(F)		
1	1	114250-92600	BAG, TOOL	1							
2	1	160330-92730	DRIVE, SCREW	1							
3	1	28110-100120	SPANNER, 10X12	1							
4	1	28110-140170	SPANNER, 14X17	1							
5	1	28210-000150	OILER	1							
6	1	114250-92101	F.W. LOCKING HANDLE	1							1
7	1	114250-92130	REMOVER, FLYWHEEL	1							1
9	2	26116-060454	BOLT M 6X 45 PLATED	4							1
10	2	26116-080454	BOLT, M8X 45 PLATED	3							1
11	2	26716-060002	NUT, M6	8							1
12	2	26716-080002	NUT, M8	6							1
13	1	114650-92300	GUIDE, OIL SEAL	1							1
14	1	114650-92310	INSTALLING TOOL	1							1
15	1	114650-92350	INSTALLING TOOL	1							1
16	1	714685-92600	GASKET SET	1							1
17	2	114650-01340	GASKET, HEAD	1							1
18	2	114650-01380	O-RING	1							1
19	2	114650-01412	GASKET, CRANK CASE	1							1
20	2	24311-000180	O-RING, 1AP18.0	2							1
21	2	114250-01840	GASKET	1							1
22	2	22190-160002	WASHER, SEAL 16	2							1
23	2	114650-11340	SEAL, VALVE STEM	2							1
24	2	114250-11460	GASKET, NOZZLE	1							1
25	2	114650-11310	GASKET, BONNET	1							1
26	2	114650-12300	GASKET	1							1
27	2	114650-13200	GASKET, MUFFLER	1							1
28	2	103338-32570	O-RING	1							1
29	2	24341-000224	O-RING, 1AS22.4	1							1

Remarks  
(1) OPTIONAL PART.

## Parts No. Index

Parts No.	Fig. No.	Ref. No.
102100-67080	5	37
103338-32570	5	7
	10	28
104200-23201	4	40
104211-11370	2	14
		27
105025-01220	1	7
105225-66990	5	36
105425-01690	1	19
105546-51020	7	2
105546-51330	7	15
106500-44870	9	27
106990-44660	8	25
114250-01800	1	23
114250-01830	1	28
114250-01840	1	29
	10	21
114250-02030	1	38
114250-03591	2	36
114250-03640	2	39
114250-11240	2	20
		25
114250-11460	2	15
	10	24
114250-11900	2	28
114250-14260	4	6
114250-32070	5	6
114250-35070	5	10
114250-35150	1	30
114250-45300	6	3
114250-45310	6	4
114250-51080	7	3
114250-51150	7	10
114250-51160	7	11
114250-51340	7	16
114250-51600	7	18
114250-51640	7	19
114250-51650	7	20
114250-53080	7	27
114250-53120	7	28
114250-53130	7	29
114250-53140	7	30
114250-53210	7	31
114250-53331	7	35
114250-53400	7	36
114250-55041	8	3
114250-55050	8	4
114250-55060	8	5
114250-55080	8	7
114250-55100	8	8

Parts No.	Fig. No.	Ref. No.
114250-55130	8	15
114250-55201	8	10
114250-55211	8	16
114250-55300	8	18
114250-59050	8	26
114250-59060	8	29
114250-66200	5	44
114250-66440	5	33
114250-92101	10	6
114250-92130	10	7
114250-92600	10	1
114252-66252	5	32
114268-66200	5	31
114270-01600	1	32
114270-61520	5	25
114350-01700	1	5
114350-11470	2	16
114350-45320	6	5
114350-45340	6	7
114351-77540	9	30
114351-78261	9	20
114351-78771	9	21
114351-78781	9	22
114362-77011	9	1
114370-45350	6	10
114371-77160	9	7
114371-77170	9	13
114371-79040	9	8
114371-79050	9	9
114371-79060	9	10
114371-79070	9	17
114381-77110	9	2
114381-77130	9	5
114381-77140	9	6
114381-77150	9	12
114650-01230	1	8
114650-01240	1	9
114650-01250	1	10
114650-01260	1	11
114650-01340	1	12
	10	17
114650-01380	1	13
	10	18
114650-01412	1	14
	10	19
114650-02100	1	17
114650-02150	1	39
114650-02200	1	44
114650-02210	1	45
114650-11010	2	1

Parts No.	Fig. No.	Ref. No.
114650-11100	2	6
114650-11121	2	8
114650-11261	2	12
114650-11310	2	33
	10	25
114650-11340	2	13
	10	23
114650-11600	2	17
114650-11652	2	18
114650-11951	2	34
114650-12020	3	1
114650-12210	3	17
114650-12300	3	2
	10	26
114650-13200	3	6
	10	27
114650-13800	3	15
114650-14200	4	5
114650-14401	4	7
114650-21551	4	19
114650-22300	4	35
114650-32010	5	1
114650-45200	6	2
114650-45330	6	6
114650-51100	7	4
114650-51300	7	12
114650-53000	7	24
114650-53300	7	32
114650-55120	8	14
114650-55150	8	9
114650-55230	8	17
114650-55810	8	20
114650-59800	8	32
114650-59850	8	38
114650-66150	5	30
114650-66500	5	45
114650-92300	10	13
114650-92310	10	14
114650-92350	10	15
114652-12220	3	18
114652-12230	3	19
114652-59300	8	27
114652-59310	8	30
114652-66871	5	34
114652-66881	5	35
114654-11110	2	7
114654-66140	5	29
114654-77900	9	33
114660-01471	1	15
114662-21592	4	20

Parts No.	Fig. No.	Ref. No.
114662-21601	4	22
114668-45102	6	1
114770-61600	5	26
114770-61610	5	27
114970-13550	3	7
114970-13560	3	9
114970-13700	3	10
114970-13710	3	11
114970-66010	5	43
119620-11180	2	9
119643-66900	9	28
119660-77710	9	32
121400-91251	9	35
121400-91271	9	36
121522-77101	9	29
121750-59890	8	31
122710-01220	4	11
124060-23100	4	39
124550-51350	7	17
124722-59050	8	11
		28
128300-77920	9	34
129100-77500	3	20
129100-77510	3	21
129792-22400	4	36
135210-61090	5	51
160260-01580	3	8
160310-14550	4	24
160330-92730	10	2
160710-78710	9	23
160910-01740	1	20
183720-55210	6	8
22117-080000	8	21
22137-080000	5	28
22190-160002	1	37
	10	22
22312-030160	2	41
	5	8
22322-030200	5	18
		19
22351-020006	7	21
22351-030008	7	22
22351-040008	2	29
22451-060000	5	52
22512-050140	4	23
22512-070360	4	25
23414-120000	8	12
23871-010000	1	31
23887-120002	8	13
24101-062034	4	47

## Parts No. Index

Parts No.	Fig. No.	Ref. No.
24162-152112	1	40
24311-000180	1	22
	10	20
24341-000150	8	19
24341-000224	5	11
	10	29
24423-355008	1	41
		42
26106-060122	5	38
26106-060162	5	12
26106-060252	3	3
26106-060302	5	39
26106-060702	2	44
26106-080122	1	43
26106-080182	3	12
26106-080202	4	26
26106-080352	1	33
26106-080402	3	22
26106-080452	8	22
26106-100122	1	6
26106-100302	9	19
26106-100552	2	30
26116-060454	10	9
26116-080454	10	10
26117-040088	9	37
26226-060142	3	4
		23
26226-060182	1	34
26226-060222	1	35
26226-060502	2	31
26226-060752	3	5
26226-080202	3	13
26366-060002	1	36
	2	32
	3	24
	8	23
26366-080002	3	14
26476-060142	5	9
	8	24
	9	24
26476-060202	5	40
	6	9
	9	25
26554-060182	3	16
26577-060142	9	26
26696-100002	5	50
26716-060002	10	11
26716-080002	10	12
26756-060002	2	21
		26

Parts No.	Fig. No.	Ref. No.
26757-060002	5	41
		42
27310-070001	2	10
28110-100120	10	3
28110-140170	10	4
28210-000150	10	5
29411-150000	9	31
714650-22502	4	29
714650-22542	4	50
714650-22550	4	58
714650-23600	4	41
714650-23610	4	62
714650-23620	4	64
714650-23700	4	37
714650-51700	7	1
714650-53100	7	23
714650-55701-1	8	1
714650-61500	5	13
714650-61700	5	20
714660-22580	4	56
714660-22624	4	48
714660-22723	4	27
714670-11660	2	22
714671-01560	1	1
714685-21710	4	12
714685-92600	10	16
714689-14580	4	1
714970-28510	4	43
X2114274200	9	18
X2114275010	9	15
X2114455080	9	11
X2114560130	9	14
X2114680050	9	16
X2114715500	9	4
X2114811000	9	3

Parts No.	Fig. No.	Ref. No.
-----------	----------	----------

Parts No.	Fig. No.	Ref. No.
-----------	----------	----------