

0CD10-M51900EN

Directions for the Parts Catalog.

1. This Parts Catalog shows both standard and optional parts.
2. Parts may change without prior notice.
3. The following is an example of the Parts Catalog format.

REF.	LEV.	PARTS NO.	DESCRIPTION	Q'TY						I	R
				(A)	(B)	(C)	(D)	(E)	(F)		
1	1	729595-51390	FUEL INJECTION PUMP	1	1	1	1	1			1
1-1	1	729595-51391	FUEL INJECTION PUMP	1	1	1	1	1		N	1
		(A=E00185) (B=E00200)									
3	2	26022-060162	SCREW M 6X 16	9	9	9	9	9			
3-1	2	26022-060162	SCREW M 6X 16	4	4	4	4	4		K	
		(A=E00156) (B=E00156) (C=E00156) (D=E00156) (E=E00156)									
4	2	129470-51040	CAMSHAFT	1	1	1	1	1			
5	2	122710-51050	BEARING, ROLLER	2	2	2	2	2			
6	2	129470-51060	RETAINER	1	1	1	1	1			

Remarks
(1) BOOST COMPEMSATOR TYPE. OPTIONAL PART, TO E00155,(4JH-DT, 4JH-DTZ

① Ref. No.

The Ref. No. listed may not be in accordance with the illustration Ref. No.

(Ex.) Illustration No.

List Ref No.

1

1

(Before change)

1-1

(After change)

For interchangeable symbols N, R and K, illustrations for new parts may be abbreviated.

② Lev. (Level)

Level indication

The numbers below indicate the level of relativity towards the main part.

1 ----- Main parts (Assembly parts)

2 ----- Sub component included in " 1 ".

3 ----- Sub component included in " 2 ".

Note) Parts that are not for sale are partially illustrated but not listed.

③ Interchangeability Symbol

When a part change takes place, one of the following interchangeability symbols is indicated beside the part.

Symbol	Interchangeability	Contents note
N	Old $\begin{matrix} \leftarrow \text{Yes} \\ \text{No} \rightarrow \end{matrix}$ New	New Part is interchangeable for Old Part but Old Part is not interchangeable for New Part.
Q	Old $\begin{matrix} \leftarrow \text{No} \\ \text{Yes} \rightarrow \end{matrix}$ New	New Part is not interchangeable for Old Part but Old Part is interchangeable for New Part.
R	Old $\begin{matrix} \leftarrow \text{Yes} \\ \text{Yes} \rightarrow \end{matrix}$ New	New/ Old Parts are both interchangeable.
S	Old $\begin{matrix} \leftarrow \text{No} \\ \text{No} \rightarrow \end{matrix}$ New	New/ Old Parts are both not interchangeable.
W		Part newly added.
Z		Part discontinued.
F		Not interchangeable by a single part but interchangeable together with related parts.
K		Changes only for used parts quantities.

④ Effective Machine No.

When a part changes, the effective Machine No. will be indicated in the (A)-(F) column.

Product Symbol	Product No.	Product Symbol	Product No.
C	Clutch No. Compressor No.	F	Machine No. (Agricultural Equip.)
D	Drive No.	M	Machine No.
E	Engine No.		

Note 1) A date may follow the symbol. (Ex.) 1996.01

Note 2) "XXXXX" and "ZZZZZ" are for parts that could not be predicted or for engine models that could not be identified.

Note 3) (A=E00185) is the E (Engine Serial Number) for the column (A) model (in this case 4JH-DT) after the parts design change.

⑤ Remarks

Figures or alphabets (symbols) are entered in the remarks column.

The comments (remarks) on parts that are indicated at the bottom of the illustration are the same symbols as those stated above.

Contents

OCD10-M51900

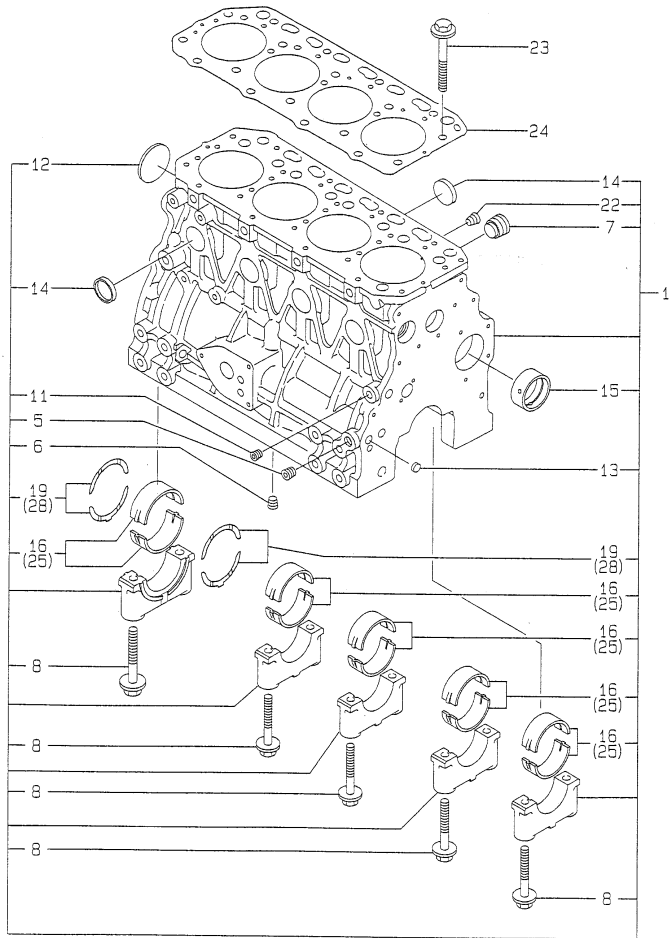
Fig. No.	Fig. Name	Fig. No.	Fig. Name
4TNE84T-GB2			
1.	CYLINDER BLOCK		
2.	GEAR HOUSING		
3.	FLYWHEEL HOUSING & OIL SUMP		
4.	CYLINDER HEAD & BONNET		
5.	SUCTION MANIFOLD & AIR CLEANER		
6.	EXHAUST MANIFOLD & SILENCER		
7.	TURBOCHARGER		
8.	CAMSHAFT & DRIVING GEAR		
9.	CRANKSHAFT & PISTON		
10.	LUB. OIL SYSTEM		
11.	LUB. OIL LINE		
12.	COOLING WATER SYSTEM		
13.	RADIATOR		
14.	FUEL INJECTION PUMP		
15.	GOVERNOR		
16.	FUEL INJECTION VALVE		
17.	FUEL LINE		
18.	ENGINE STOP DEVICE		
19.	STARTING MOTOR		
20.	GENERATOR		
21.	ELECTRIC PART		
22.	GASKET SET & TOOL(OPTIONAL)		
23.	GOVERNOR		

Fig.1. CYLINDER BLOCK

(A)=4TNE84T-GB2
(B)=
(C)=

(D)=
(E)=
(F)=

Y005190
4TNE84T-GB2



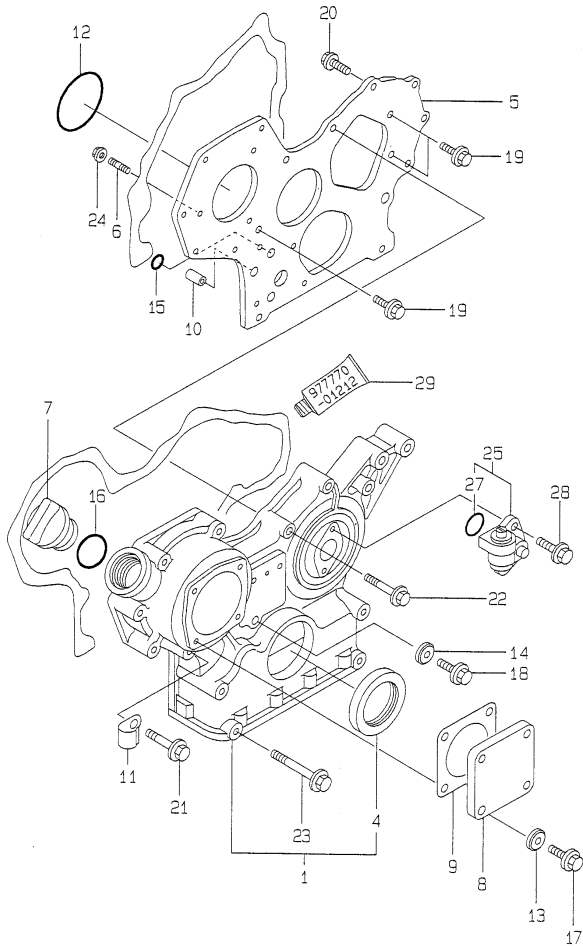
No.	Lev.	Parts No.	Description	Q'ty						I	R
				(A)	(B)	(C)	(D)	(E)	(F)		
1	1	729418-01570	BLOCK ASSY, CYLINDER	1							
5	2	124160-01910	PLUG, PT1/4	2							
6	2	124160-01910	PLUG, PT1/4	1							
7	2	171051-01921	PLUG, NPTF1	1							
8	2	129150-02020	BOLT, METAL CAP	10							
11	2	23871-010000	PLUG, R01	1							
12	2	27231-500000	PLUG 50	1							
13	2	27241-120000	PLUG, 12	2							
14	2	27241-300000	PLUG 30	8							
15	2	129795-02411	BUSH, CAMSHAFT	1							
16	2	129001-02800	BEARING, MAIN	5							
19	2	129150-02930	BEARING, THRUST	2							
22	2	23871-030000	PLUG, R03	1							
23	1	129150-01200	BOLT, HEAD	18							
24	1	129408-01330	GASKET, HEAD	1							
25	1	129150-02870	BEARING, 0.25 US	5							1
28	1	129150-02940	BEARING, THRUST 0.25	2							2

Remarks

- (1) UNDER-SIZED(U.S=0.25)PART.
- (2) OVER-SIZED(O.S=0.25)PART.

Fig.2. GEAR HOUSING

Y00D5190
4TNE84T-GB2



(A)=4TNE84T-GB2
(B)=
(C)=

(D)=
(E)=
(F)=

No.	Lev.	Parts No.	Description	Q'ty						I	R
				(A)	(B)	(C)	(D)	(E)	(F)		
1	1	719810-01500	CASE ASSY, GEAR	1							
4	2	129795-01800	SEAL, OIL	1							
5	1	129400-01520	FLANGE, GEAR CASE	1							
6	1	121450-01560	STUD, M8X22	3							
7	1	124160-01751	COVER, FILLER	1							
8	1	124240-01871	COVER	1							
9	1	124240-01883	GASKET	1							
10	1	129795-01950	PIPE, KNOCK L=18	2							
11	1	129150-03100	RETAINER, PIPE	1							
12	1	121850-51960	O-RING	1							
13	1	22190-080002	WASHER, SEAL 6	4							
14	1	22190-080002	WASHER, SEAL 6	1							
15	1	24311-000160	O-RING, 1AP16.0	2							
16	1	24311-000320	O-RING, 1AP32.0	1							
17	1	26106-080122	BOLT, M8X 12 PLATED	4							
18	1	26106-080162	BOLT, M8X 16 PLATED	1							
19	1	26106-080162	BOLT, M8X 16 PLATED	3							
20	1	26106-080202	BOLT, M8X 20 PLATED	2							
21	1	26106-080452	BOLT, M8X 45 PLATED	6							
22	1	26106-080552	BOLT, M8X 55 PLATED	3							
23	1	26106-080852	BOLT, M8X 85 PLATED	4							
24	1	26366-080002	NUT, M8	3							
25	1	129150-91400	GEAR	1							
27	2	24341-000240	O-RING, 1AS24.0	1							
28	1	26106-060162	BOLT, M6X 16 PLATED	2							
29	1	977770-01212	GASKET, LIQUID	1							1

Remarks

(1) OPTIONAL PART.

Fig.3. FLYWHEEL HOUSING & OIL SUMP

(A)=4TNE84T-GB2

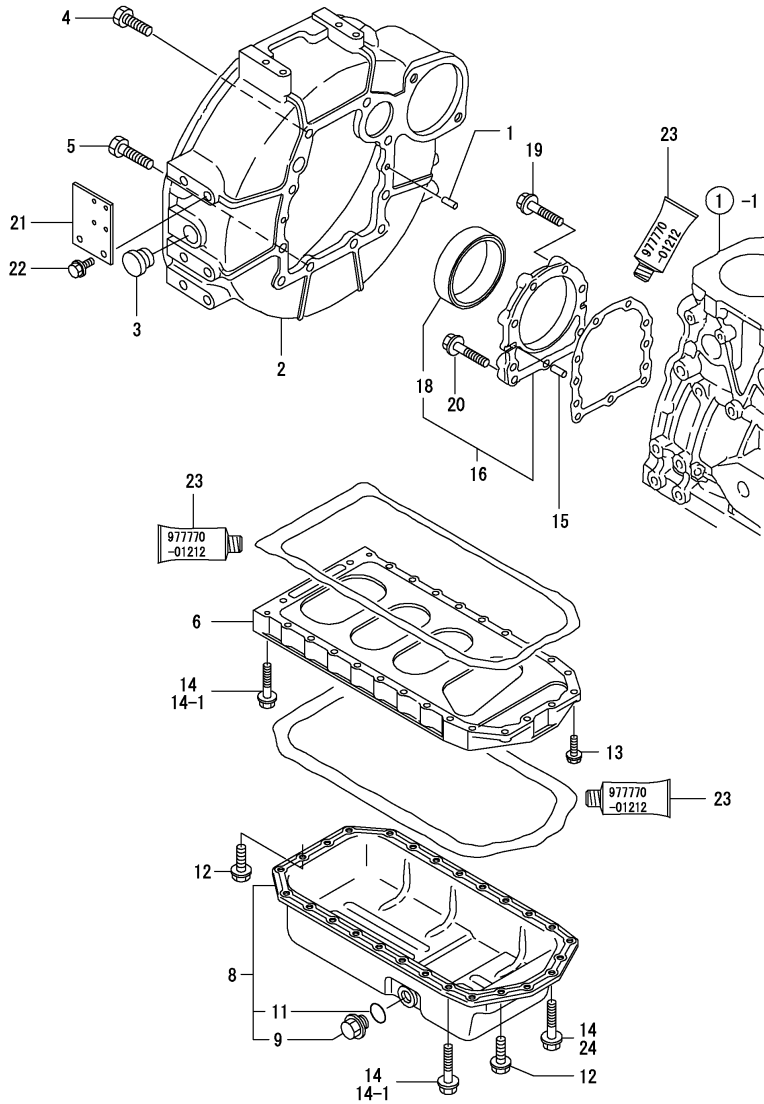
(B)=

(C)=

(D)=

(E)=

(F)=



No.	Lev.	Parts No.	Description	Q'ty						I	R
				(A)	(B)	(C)	(D)	(E)	(F)		
1	1	129100-01580	PIN, M8X16	2							
2	1	171301-01600	HOUSING, FLYWHEEL	1							
3	1	119620-01750	CAP	1							
4	1	26206-100252	BOLT, M10X 25 PLATED	6							
5	1	26206-100302	BOLT, M10X 30 PLATED	4							
6	1	129400-01730	SPACER, OIL SUMP	1							
8	1	129400-01770	SUMP ASSY, OIL	1							
8-1	1	129688-01780	OIL PAN ASSY, DEEP	1						N	2
(A=REF. TO R)											
9	2	171301-01640	PLUG, 22	1							
11	2	24341-000250	O-RING, 1AS25.0	1							
12	1	26106-080162	BOLT, M8X 16 PLATED	4							
13	1	26106-080252	BOLT, M8X 25 PLATED	2							
14	1	26106-080452	BOLT, M8X 45 PLATED	24							
14-1	1	26106-080452	BOLT, M8X 45 PLATED	20							K
(A=FROM 1ST)											
15	1	129100-01580	PIN, M8X16	2							
16	1	129100-01640	CASE ASSY, OIL SEAL	1							
18	2	129795-01780	SEAL, OIL	1							
19	1	26106-080302	BOLT, M8X 30 PLATED	6							
20	1	26106-080352	BOLT, M8X 35 PLATED	3							
21	1	129111-67010	SUPPORT, WIRE	1							
22	1	26106-080162	BOLT, M8X 16 PLATED	2							
23	1	977770-01212	GASKET, LIQUID	1							1
24	1	26106-080502	BOLT, M8X 50 PLATED	4							W
(A=FROM 1ST)											

Remarks

(1)Optional parts.

(2)For repair.

Fig.4. CYLINDER HEAD & BONNET

(A)=4TNE84T-GB2

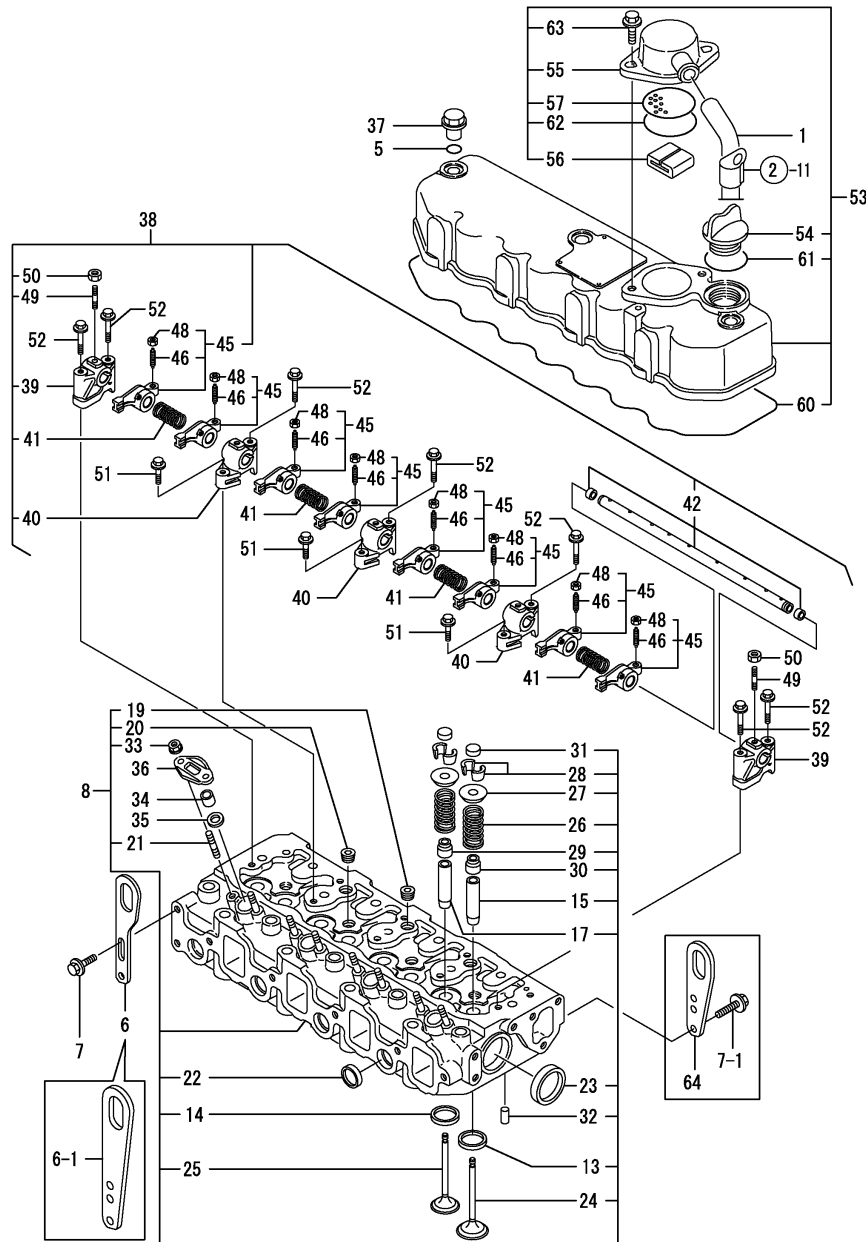
(B)=

(C)=

(D)=

(E)=

(F)=



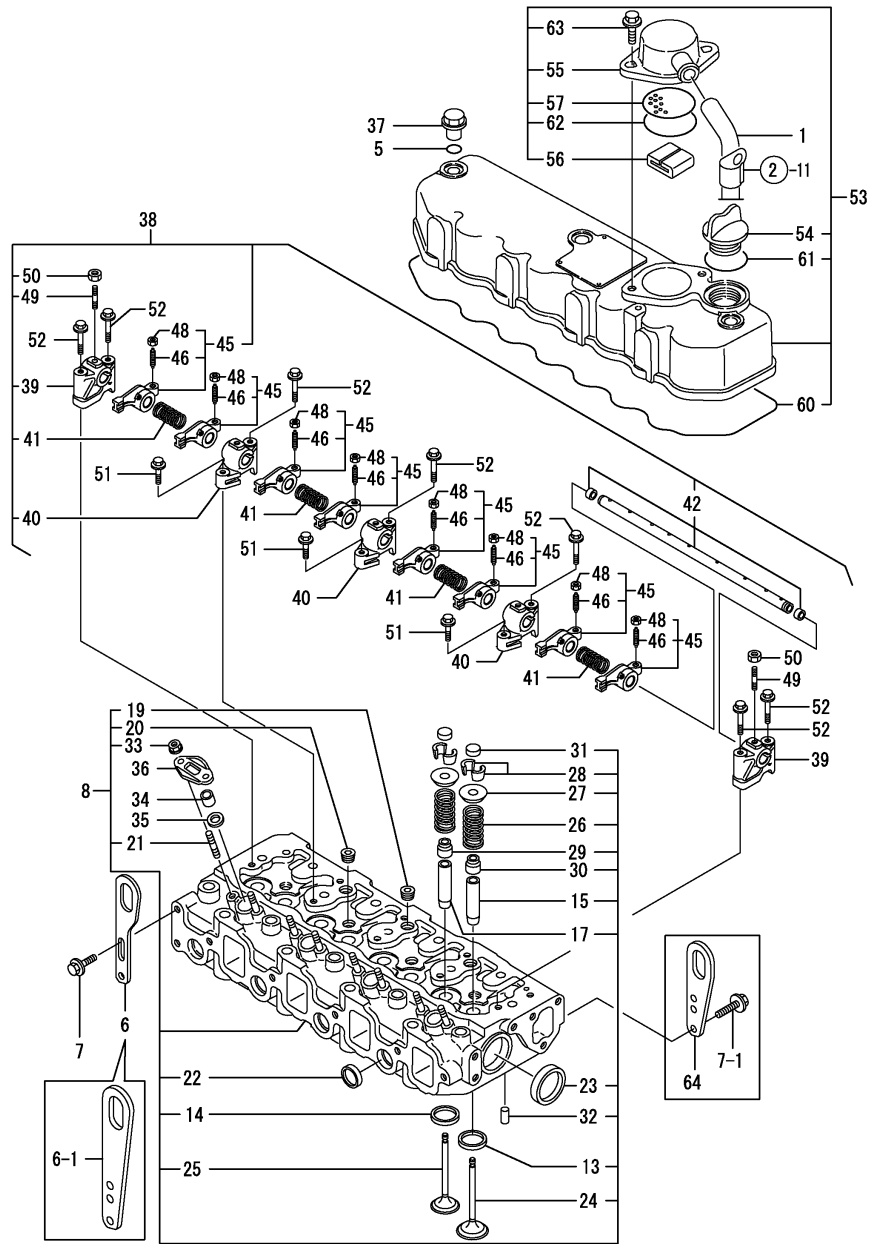
No.	Lev.	Parts No.	Description	(A)	(B)	(C)	(D)	(E)	(F)	Q'ty	I	R
1	1	171350-03090	PIPE , BREATHER 900	1								
5	1	24311-000120	O-RING, 1AP12.0	3								
6	1	124736-07900	LIFTER	1								
6-1	1	129900-07900	LIFTER	1								N
		(A=*2009.08)										
7	1	26106-080142	BOLT, M8X 14 PLATED	2								
7-1	1	26108-080142	BOLT, M8X 14 PLATED	4								K
		(A=*2009.08)										
8	1	729408-11700	HEAD ASSY, CYLINDER	1								
13	2	129470-11080	SEAT, INTAKE VALVE	4								
14	2	129470-11090	SEAT, EXHAUST VALVE	4								
15	2	120130-11860	GUIDE, VALVE	4								1
17	2	129150-11810	GUIDE, VALVE	4								1
19	2	121850-11860	PLUG, PT1/4	3								
20	2	23871-030000	PLUG, R03	4								
21	2	26216-060202	STUD, M6X 20	8								
22	2	27241-220000	PLUG, 22	4								
23	2	27241-400000	PLUG, 40	2								
24	2	129100-11100	VALVE, INTAKE	4								
25	2	129100-11130	VALVE, EXHAUST	4								
26	2	129795-11120	SPRING, VALVE	8								
27	2	129795-11180	RETAINER, SPRING	8								
28	2	27310-080001	COTTER, 8	8								
29	2	121400-11340	SEAL, VALVE STEM	4								
30	2	124460-11340	SEAL, VALVE STEM	4								
31	2	129150-11370	CAP, VALVE	8								
32	2	22351-060012	PIN, SPRING 6.0X12	2								
33	2	26366-060002	NUT, M6	8								
34	1	119625-11871	PROTECTOR, NOZZLE	4								
35	1	119625-11880	SEAT, NOZZLE	4								
36	1	119625-11900	RETAINER, NOZZLE	4								
37	1	124160-11360	KNOB	3								
38	1	129555-11241	SHAFT ASSY, ROCKER	1								
39	2	129155-11260	SUPPORT, ROCKER ARM	2								
40	2	129155-11270	SUPPORT, ROCKER ARM	3								
41	2	129150-11280	SPRING	4								
42	2	129550-11290	SHAFT, ROCKER ARM	1								
45	2	729402-11650	ARM ASSY, ROCKER	8								
46	3	129150-11230	SCREW, VALVE ADJUST	8								
48	3	129150-11750	NUT, M8	8								
49	2	26226-080182	STUD, M8X 18	3								
50	2	26756-080002	NUT, LOCK M8	3								
51	1	26106-080252	BOLT, M8X 25 PLATED	3								
52	1	26106-080502	BOLT, M8X 50 PLATED	7								
53	1	129400-11350	BONNET ASSY, HEAD	1								
54	2	124160-01751	COVER, FILLER	1								
55	2	129150-03020	COVER, BREATHER	1								
56	2	129150-03070	BAFFLE, BREATHER	1								
57	2	129150-03080	PLATE, BAFFLE	1								
60	2	129550-11310	GASKET, BONNET	1								
61	2	24311-000320	O-RING, 1AP32.0	1								

Remarks
(1) REPAIR PART.

Fig.4. CYLINDER HEAD & BONNET

(A)=4TNE84T-GB2
(B)=
(C)=

(D)=
(E)=
(F)=



No.	Lev.	Parts No.	Description	Q'ty						I	R
				(A)	(B)	(C)	(D)	(E)	(F)		
62	2	24341-000500	O-RING, 1AS50.0	1							
63	2	26106-080162	BOLT, M8X 16 PLATED	2							
64	1	119226-07900	LIFTER	1							W

(A=*2009.08)

Remarks
(1) REPAIR PART.

Fig.5. SUCTION MANIFOLD & AIR CLEANER

(A)=4TNE84T-GB2

(B)=

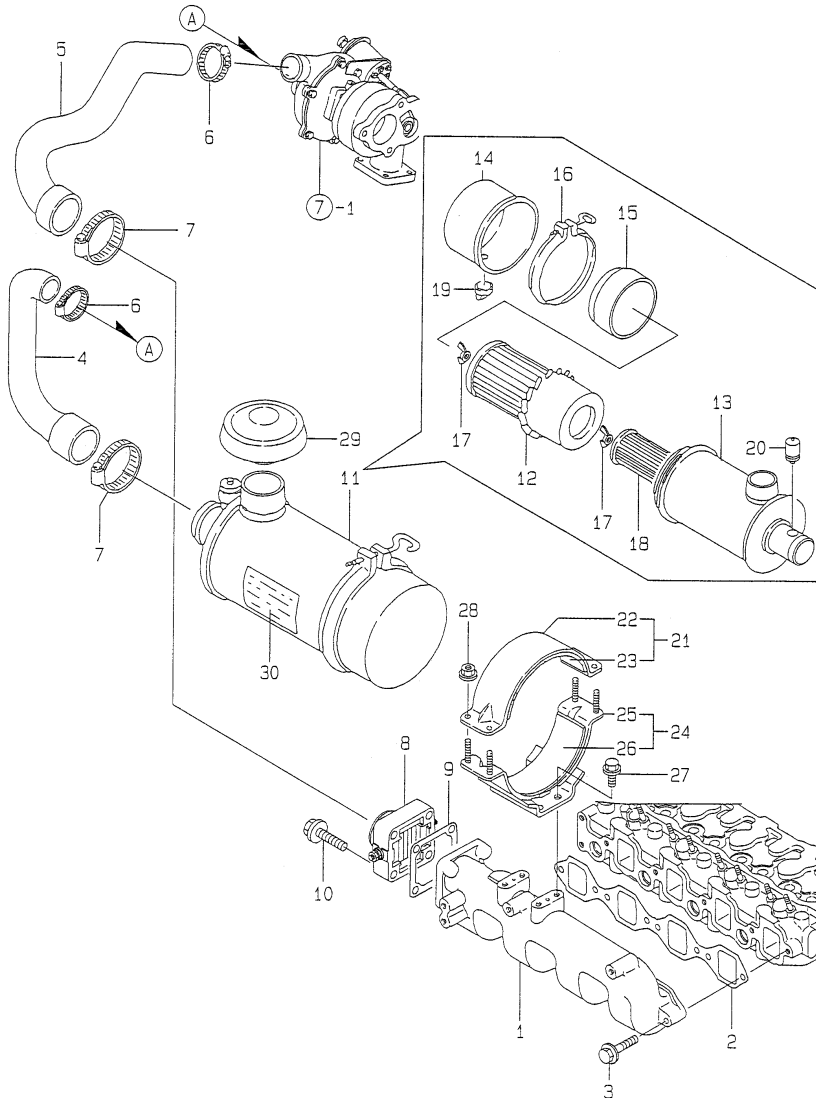
(C)=

(D)=

(E)=

(F)=

Y00D5:90
4TNE84T-GB2



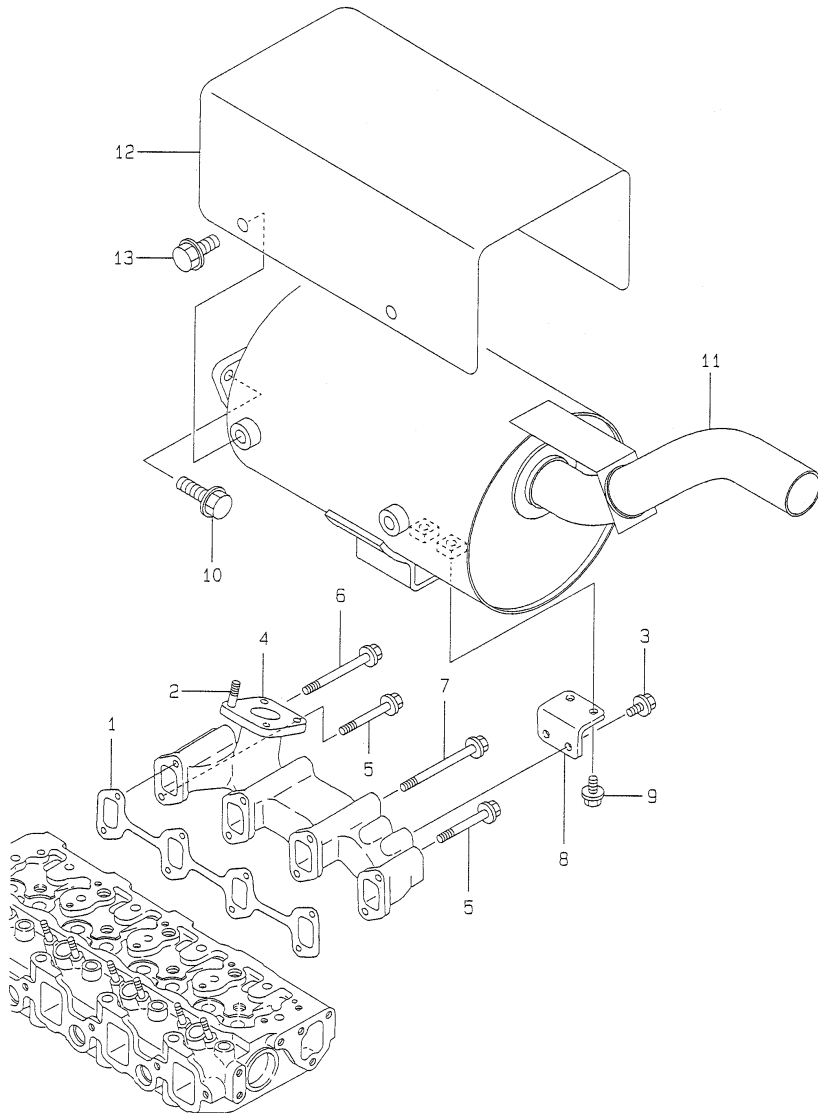
No.	Lev.	Parts No.	Description	Q'ty						I	R
				(A)	(B)	(C)	(D)	(E)	(F)		
1	1	129488-12100	MANIFOLD, AIR INTAKE	1							
2	1	129550-12111	GASKET, MANIFOLD	1							
3	1	26106-080352	BOLT, M8X 35 PLATED	5							
4	1	129488-12070	PIPE, AIR INTAKE	1							
5	1	129488-12080	PIPE, AIR INTAKE	1							
6	1	23000-060000	CLAMP, 60	2							
7	1	23000-070000	CLAMP, 70	2							
8	1	129120-77501	HEATER	1							
9	1	129150-77511	GASKET	1							
10	1	26106-080352	BOLT, M8X 35 PLATED	4							
11	1	121521-12500	CLEANER ASSY, AIR	1							
12	2	121420-12511	ELEMENT	1							
13	2	171061-12520	BODY, CLEANER	1							
14	2	121422-12530	CUP	1							
15	2	121420-12540	SCARF, BAFFLE	1							
16	2	121420-12550	CLAMP ASSY	1							
17	2	121420-12561	NUT, WING	2							
18	2	121422-12570	ELEMENT	1							
19	2	121422-12580	VALVE, UNLOADER	1							
20	2	126650-12680	INDICATOR	1							
21	1	121400-12540	BAND ASSY, CLEANER	1							
22	2	121400-12560	BAND, AIR CLEANER	1							
23	2	121400-12570	SEAT, RUBBER B	1							
24	1	171351-12580	SUPPORT ASSY,CLEANER	1							
25	2	171351-12560	SUPPORT, AIR CLEANER	1							
26	2	171351-12570	SEAT, RUBBER	1							
27	1	26106-080142	BOLT, M8X 14 PLATED	4							
28	1	26366-060002	NUT, M6	4							
29	1	121521-12400	CAP, RAIN	1							
30	1	171064-12600	LABEL, AIR CLEANER	1							

Fig.6. EXHAUST MANIFOLD & SILENCER

(A)=4TNE84T-GB2
(B)=
(C)=

(D)=
(E)=
(F)=

Y00D5190
4TNE84T-GB2



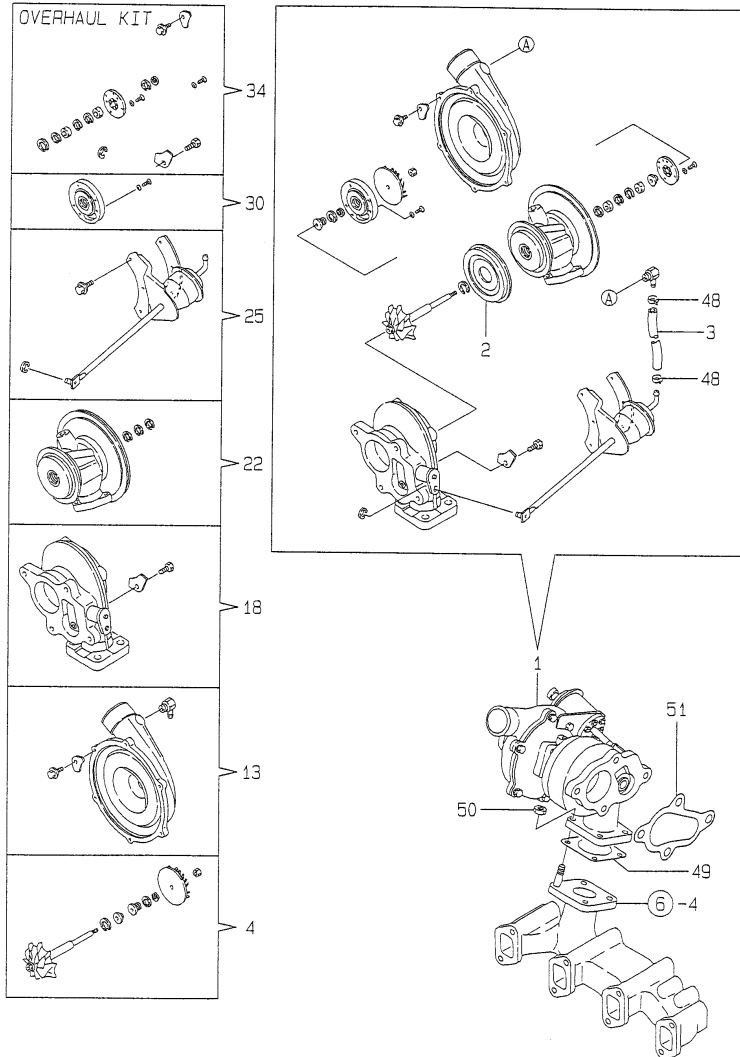
No.	Lev.	Parts No.	Description	Q'ty						I	R
				(A)	(B)	(C)	(D)	(E)	(F)		
1	1	129550-13110	GASKET	1							
2	1	26216-080222	STUD, M8X 22	4							
2-1	1	119131-18320	STUD, M8X22	4							N
(A=E05707)											
3	1	26106-080142	BOLT, M8X 14 PLATED	2							
4	1	129403-13120	MANIFOLD, EXHAUST	1							
5	1	26106-080652	BOLT, M8X 65 PLATED	3							
5-1	1	119802-13650	BOLT, M8X65	3							N
(A=E05960)											
6	1	26106-080852	BOLT, M8X 85 PLATED	1							
6-1	1	119802-13670	BOLT, M8X85	1							N
(A=E05960)											
7	1	26106-081002	BOLT, M8X100 PLATED	4							
7-1	1	129693-44310	BOLT	4							N
(A=E05960)											
7-2	1	119802-13820	BOLT, M8X100 9.8T	4							N
(A=*2009.12)											
8	1	129403-13540	SUPPORT, SILENCER	1							
9	1	26106-080202	BOLT, M8X 20 PLATED	2							
10	1	26106-080202	BOLT, M8X 20 PLATED	4							
11	1	129488-13500	SILENCER	1							
12	1	129412-13600	COVER, SILENCER	1							
13	1	26106-080122	BOLT, M8X 12 PLATED	4							

Fig.7. TURBOCHARGER

(A)=4TNE84T-GB2
(B)=
(C)=

(D)=
(E)=
(F)=

Y0005190
4TNE84T-GB2



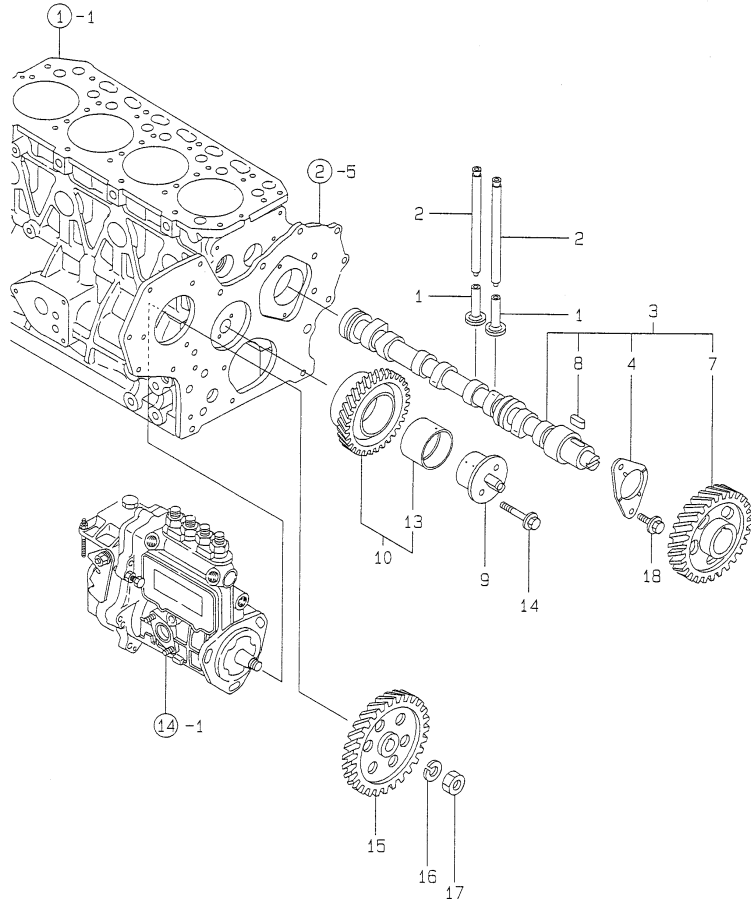
No.	Lev.	Parts No.	Description	Q'ty						I	R
				(A)	(B)	(C)	(D)	(E)	(F)		
1	1	129404-18020	TURBINE, RHB51	1							
2	2	129404-18720	PROTECTOR, HEAT	1							
3	2	129404-18750	HOSE	1							
4	2	129404-18770	ROTOR SET	1							
13	2	129404-18780	HOUSING SET, BLOWER	1							
18	2	129404-18790	HOUSING ASSY	1							
22	2	129404-18800	HOUSING SET	1							
25	2	129404-18811	CONTROLLER ASSY	1							
30	2	129404-18820	PLATE	1							
34	2	129404-18830	OVERHAUL KIT	1							
48	2	23080-012000	CLAMP, 12	2							
49	1	129322-18100	GASKET	1							
50	1	194990-22050	NUT, M8	4							
51	1	129403-18080	GASKET	1							

Fig.8. CAMSHAFT & DRIVING GEAR

(A)=4TNE84T-GB2
(B)=
(C)=

(D)=
(E)=
(F)=

Y00D5190
4TNE84T-GB2



No.	Lev.	Parts No.	Description	Q'ty						I	R
				(A)	(B)	(C)	(D)	(E)	(F)		
1	1	129150-14200	TAPPET	8							
2	1	129150-14400	ROD, PUSH L=178	8							
3	1	729402-14580	CAMSHAFT ASSY	1							
4	2	129150-02450	BEARING, THRUST	1							
7	2	129150-14101	GEAR, CAMSHAFT	1							
8	2	22512-070140	KEY, 7X 14	1							
9	1	129100-25061	SHAFT, IDLE	1							
10	1	129150-25101	GEAR ASSY, IDLE	1							
13	2	129150-25920	BUSH, IDLE GEAR	1							1
14	1	26106-080452	BOLT, M8X 45 PLATED	2							
15	1	129150-25900	GEAR, PUMP	1							
16	1	22217-120000	WASHER, SPRING 12	1							
17	1	26716-120002	NUT, M12	1							
18	1	26106-080162	BOLT, M8X 16 PLATED	2							

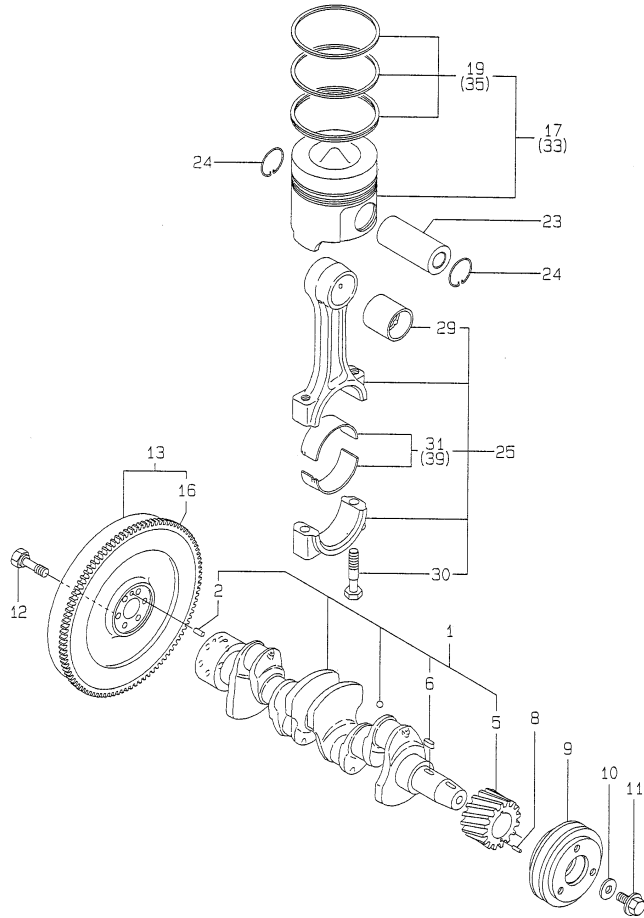
Remarks
(1) REPAIR PART.

Fig.9. CRANKSHAFT & PISTON

(A)=4TNE84T-GB2
(B)=
(C)=

(D)=
(E)=
(F)=

Y00D5190
4TNE84T-GB2

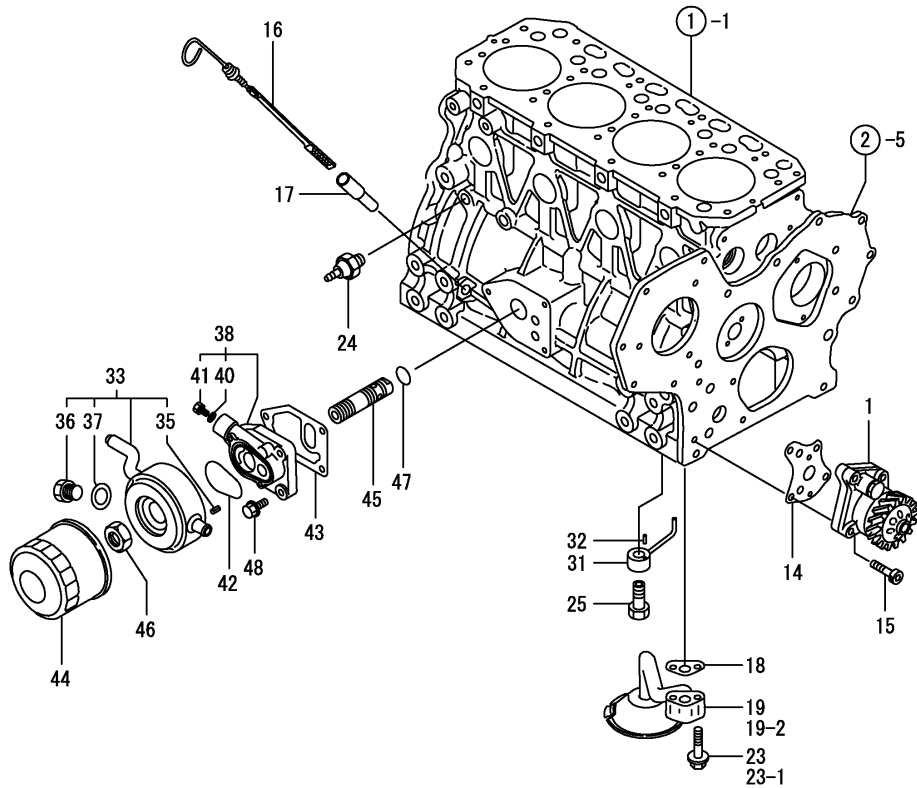


No.	Lev.	Parts No.	Description	Q'ty						I	R
				(A)	(B)	(C)	(D)	(E)	(F)		
1	1	129418-21000	CRANKSHAFT ASSY	1							
2	2	129100-01580	PIN, M8X16	1							
5	2	129150-21200	GEAR, CRANKSHAFT	1							
6	2	22512-070140	KEY, 7X 14	1							
8	1	22351-040010	PIN, SPRING 4.0X10	1							
9	1	171301-21650	V-PULLEY	1							
10	1	129795-21661	WASHER	1							
11	1	121850-21680	BOLT	1							
12	1	121111-21501	BOLT, FLYWHEEL	6							
13	1	171420-21580	FLYWHEEL ASSY	1							
16	2	119865-21600	GEAR, RING	1							
17	1	129002-22090	PISTON ASSY	4							
19	2	129002-22510	RING SET, PISTON	4							
23	1	129202-22300	PIN, PISTON D26 L70	4							
24	1	22252-000260	RING, 26	8							
25	1	729402-23100	ROD ASSY, CONNECTING	4							
29	2	129100-23910	BEARING, PISTON PIN	4							1
30	2	121550-23200	BOLT, CONNECTING ROD	8							
31	2	129150-23600	BEARING, CRANK PIN	4							
33	1	129002-22910	PISTON ASSY, 0.25 OS	4							2
35	2	129002-22960	RING SET, 0.25 OS	4							2
39	1	129150-23610	BEARING, 0.25 US	4							3

Remarks

- (1) REPAIR PART.
- (2) OVER-SIZE (O.S=0.25) PART.
- (3) UNDER-SIZE (U.S=0.25) PART.

Fig.10. LUB. OIL SYSTEM



(A)=4TNE84T-GB2

(B)=

(C)=

(D)=

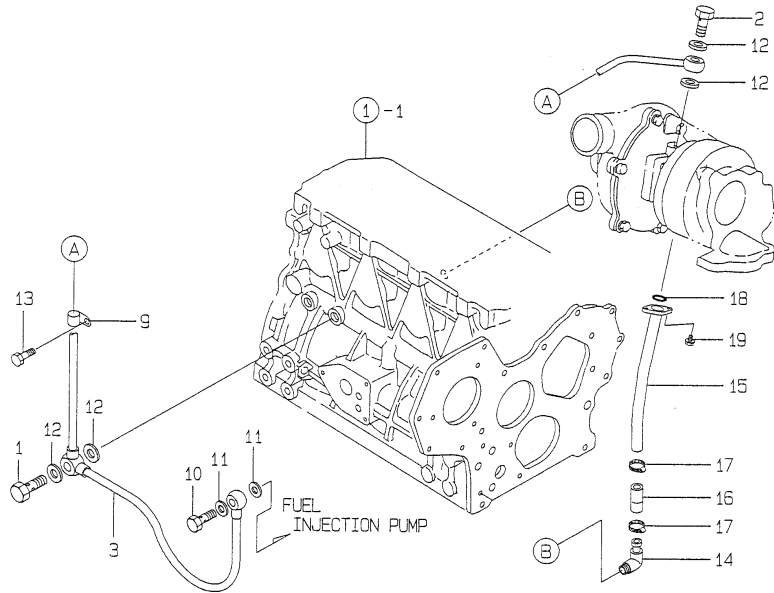
(E)=

(F)=

No.	Lev.	Parts No.	Description	Q'ty						I	R
				(A)	(B)	(C)	(D)	(E)	(F)		
1	1	129418-32000	PUMP ASSY, OIL	1							
14	1	129150-32020	GASKET, PUMP	1							
15	1	26450-060252	BOLT, M6X 25	4							
16	1	129403-34800	DIPSTICK, OIL	1							
17	1	121520-34810	GUIDE, DIPSTICK	1							
18	1	129150-35041	GASKET	1							
18-1	1	129150-35042	GASKET	1							N
		(A=EZZZZZ)									
19	1	129436-35090	PIPE ASSY, OIL INLET	1							
19-1	1	129436-35091	PIPE ASSY, OIL INLET	1							N
		(A=EZZZZZ)									
19-2	1	129436-35070	PIPE ASSY, LUB. OIL	1							S
		(A=EZZZZZ)									
23	1	26106-080352	BOLT, M8X 35 PLATED	2							
23-1	1	26106-080552	BOLT, M8X 55 PLATED	2							S
		(A=EZZZZZ)									
24	1	124160-39450	SWITCH, 0.5KG	1							
25	1	129792-39410	VALVE ASSY, CHECK	4							
31	1	129553-39650	NOZZLE	4							
32	1	22351-030010	PIN, SPRING 3.0X10	4							
33	1	129120-33001	COOLER ASSY, OIL	1							
35	2	129120-33040	PIN	2							
36	2	129120-33051	PLUG, DRAIN	1							
37	2	129120-33060	GASKET	1							
38	1	129120-35001	BRACKET ASSY	1							
40	2	23414-100000	GASKET, 10X1.0	1							
41	2	23881-100002	PLUG, 10	1							
42	1	129120-35110	GASKET	1							
43	1	129120-35121	GASKET	1							
44	1	129150-35151	FILTER, D80XL80	1							
45	1	129407-35300	BOLT, FILTER	1							
46	1	129150-35350	NUT	1							
47	1	24311-000160	O-RING, 1AP16.0	1							
48	1	26106-080252	BOLT, M8X 25 PLATED	3							

Fig.11. LUB. OIL LINE

Y00D5190
4TNE84T-GB2



(A)=4TNE84T-GB2
(B)=
(C)=

(D)=
(E)=
(F)=

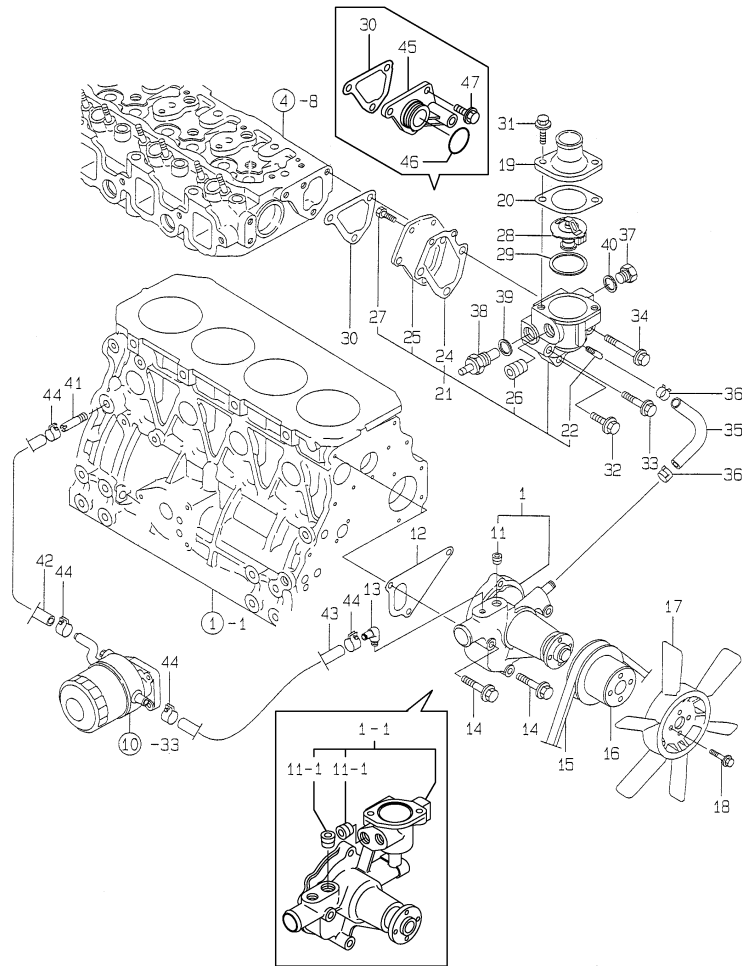
No.	Lev.	Parts No.	Description	Q'ty						I	R
				(A)	(B)	(C)	(D)	(E)	(F)		
1	1	124160-39140	BOLT, PIPE JOINT M10	1							
2	1	121252-39150	BOLT, JOINT M10X1.5	1							
3	1	129403-39460	PIPE ASSY, OIL	1							
9	1	124223-39900	RETAINER	1							
10	1	124550-59820	BOLT, PIPE JOINT M8	1							
11	1	22190-080002	WASHER, SEAL 6	2							
12	1	23414-100000	GASKET, 10X1.0	4							
13	1	26106-080102	BOLT, M8X 10 PLATED	1							
14	1	124070-13300	ELBOW, PT3/8	1							
15	1	129503-39600	PIPE, OIL	1							
16	1	129506-39610	JOINT, RUBBER	1							
17	1	23000-025000	CLAMP, 25	2							
18	1	24314-000160	O-RING, 4CP16.0	1							
19	1	26106-060162	BOLT, M6X 16 PLATED	2							

Fig.12. COOLING WATER SYSTEM

(A)=4TNE84T-GB2
(B)=
(C)=

(D)=
(E)=
(F)=

Y00D5190
4TNE84T-GB2



No.	Lev.	Parts No.	Description	Q'ty						I	R
				(A)	(B)	(C)	(D)	(E)	(F)		
1	1	129100-42002	PUMP ASSY, WATER	1							
1-1	1	129001-42001	PUMP ASSY, WATER	1							F 1
(A=EZZZZZ)											
11	2	23871-030000	PLUG, R03	1							
11-1	2	23871-030000	PLUG, R03	2							K
(A=EZZZZZ)											
12	1	129100-42020	GASKET, WATER PUMP	1							
13	1	129103-49301	ELBOW, PT1/4	1							
14	1	26106-080602	BOLT, M8X 60 PLATED	3							
15	1	25132-003700	V-BELT, A37	1							
16	1	129403-42380	V-PULLEY, D=110	1							
17	1	129403-44740	FAN, COOLING 370	1							
18	1	26014-060162	BOLT, M6X 16	4							
19	1	129350-49530	COVER, THERMOSTAT	1							
19-1	1	129350-49560	COVER, THERMOSTAT	1							F 1
(A=EZZZZZ)											
20	1	129795-49551	GASKET	1							
21	1	129100-49800	CASE ASSY, THERMOSTAT	1							Z
(A=EZZZZZ)											
22	2	124770-11770	JOINT, PIPE PT1/8	1							Z
(A=EZZZZZ)											
24	2	129100-49820	GASKET	1							Z
(A=EZZZZZ)											
25	2	129100-49830	COVER, THERMOSTAT	1							Z
(A=EZZZZZ)											
26	2	23871-030000	PLUG, R03	1							Z
(A=EZZZZZ)											
27	2	26116-060162	BOLT, M6X 16 PLATED	2							Z
(A=EZZZZZ)											
28	1	129155-49800	THERMOSTAT, 71	1							
29	1	129150-49811	GASKET, THERMOSTAT	1							
30	1	129100-49840	GASKET	1							
31	1	26106-080202	BOLT, M8X 20 PLATED	2							
32	1	26106-080252	BOLT, M8X 25 PLATED	1							Z
(A=EZZZZZ)											
33	1	26106-080502	BOLT, M8X 50 PLATED	1							Z
(A=EZZZZZ)											
34	1	26106-080602	BOLT, M8X 60 PLATED	1							Z
(A=EZZZZZ)											
35	1	129132-49050	PIPE, WATER	1							Z
(A=EZZZZZ)											
36	1	23000-016000	CLAMP, 16	2							Z
(A=EZZZZZ)											
37	1	121450-42450	PLUG, M16	1							
38	1	121250-44901	SWITCH, 110	1							
39	1	124465-44950	GASKET, 16	1							
40	1	124465-44950	GASKET, 16	1							
41	1	104207-44480	JOINT	1							
42	1	129120-49030	HOSE	1							
43	1	129403-49050	PIPE, WATER	1							
44	1	23000-022000	CLAMP, 22	4							

Remarks

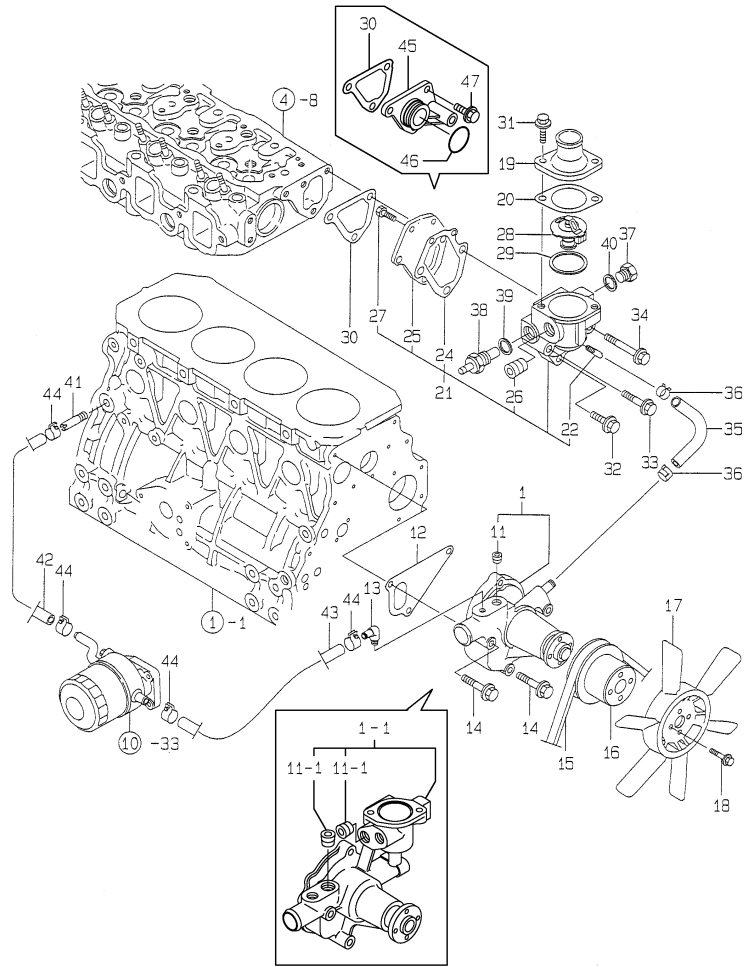
(1) Interchangeable by simultaneous replacement with Ref.No.1-1, 19-1 and Fig.20 Ref.No.22-1.

Fig.12. COOLING WATER SYSTEM

(A)=4TNE84T-GB2
(B)=
(C)=

(D)=
(E)=
(F)=

Y00D5190
4TNE84T-GB2



No.	Lev.	Parts No.	Description	Q'ty						I	R
				(A)	(B)	(C)	(D)	(E)	(F)		
45	1	129001-42040 (A=EZZZZZ)	JOINT	1							W
46	1	24321-000300 (A=EZZZZZ)	O-RING, 1AG30.0	1							W
47	1	26106-080182 (A=EZZZZZ)	BOLT, M8X 18 PLATED	3							W

Remarks
(1) Interchangeable by simultaneous replacement with Ref.No.1-1, 19-1 and Fig.20 Ref.No.22-1.

Fig.13. RADIATOR

(A)=4TNE84T-GB2

(B)=

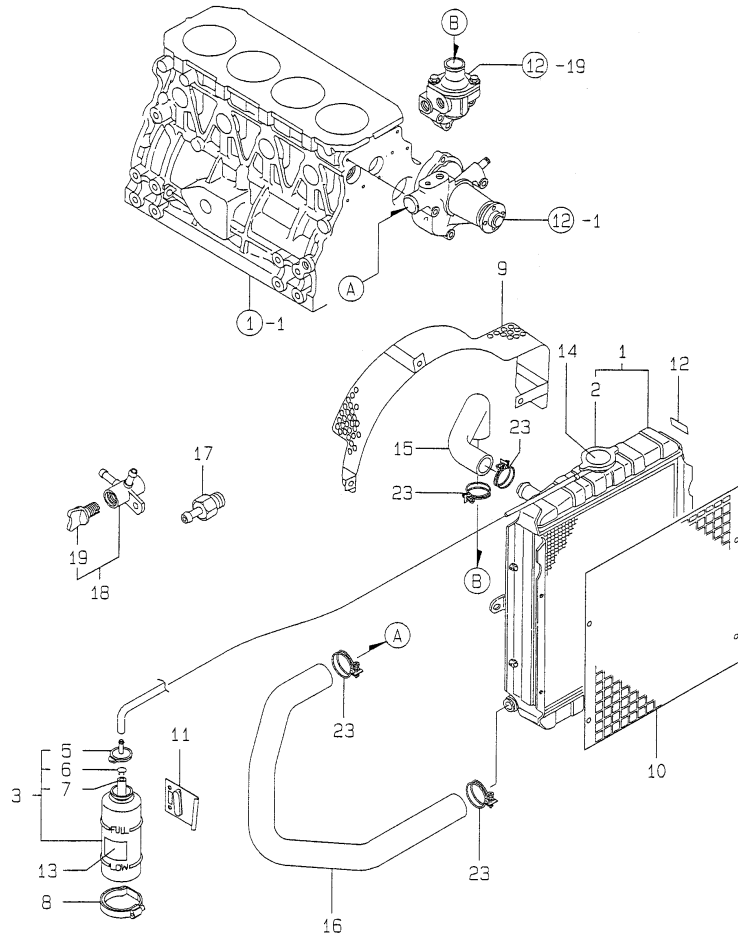
(C)=

(D)=

(E)=

(F)=

Y00D5190
4TNE84T-GB2



No.	Lev.	Parts No.	Description	Q'ty						I	R
				(A)	(B)	(C)	(D)	(E)	(F)		
1	1	171460-44500	RADIATOR	1							
2	2	123682-44210	CAP, RADIATOR	1							
3	1	124450-44510	TANK ASSY, SUB	1							
5	2	124450-44530	CAP	1							
6	2	124450-44560	RETAINER	1							
7	2	23061-070230	PIPE, 7X 230	1							
8	1	124450-44550	BAND	1							
9	1	129411-44560	PROTECTOR, FAN	1							
10	1	129411-44590	PROTECTOR	1							
11	1	121256-44600	BRACKET, SUB TANK	1							
12	1	124764-44800	LABEL, RADIATOR	1							
13	1	124764-44810	LABEL, SUB-TANK	1							
14	1	121400-44910	LABEL	1							
15	1	171420-49010	PIPE, WATER	1							
16	1	171420-49020	PIPE, WATER	1							
17	1	129137-49100	JOINT	1							
18	1	129150-49100	COCK ASSY, 3-WAY	1							
19	2	129150-49080	COCK, DRAIN	1							
23	1	23010-038000	CLAMP, 38	4							

Fig.14. FUEL INJECTION PUMP

(A)=4TNE84T-GB2

(B)=

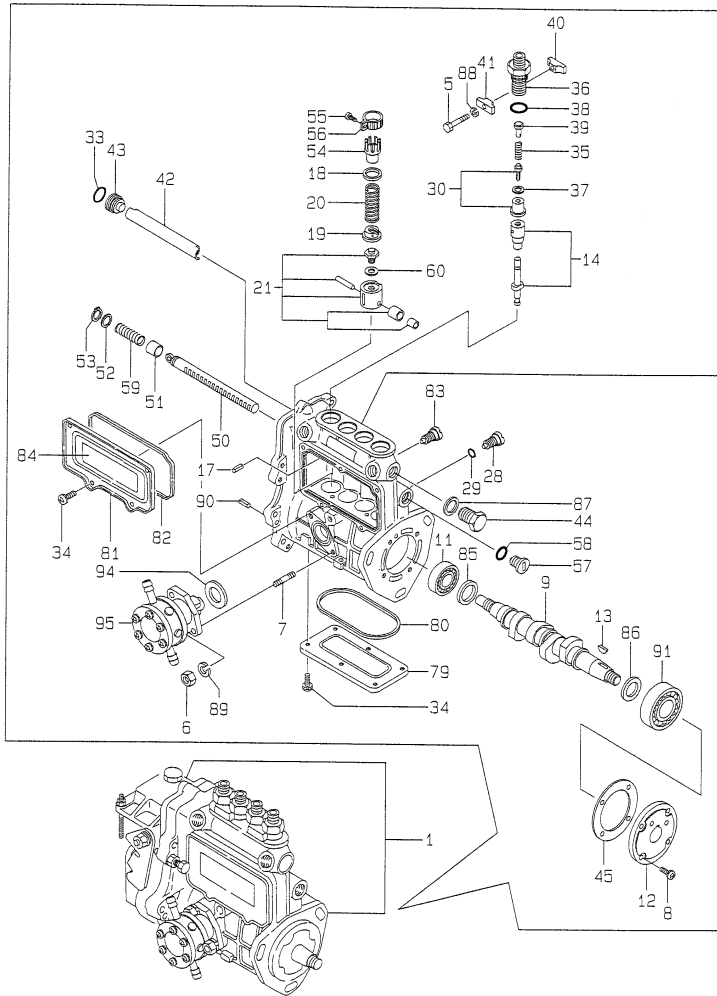
(C)=

(D)=

(E)=

(F)=

Y0005190
4TNE84T-GB2



No.	Lev.	Parts No.	Description	Q'ty						I	R
				(A)	(B)	(C)	(D)	(E)	(F)		
1	1	729613-51410	PUMP ASSY, INJECTION	1							1
5	2	26116-050302	BOLT, M5X 30 PLATED	2							
6	2	26716-060002	NUT, M6	2							
7	2	129155-51020	STUD	2							
8	2	26022-060162	SCREW, M6X16	4							
9	2	129470-51040	CAMSHAFT	1							
11	2	129155-51050	BEARING, 17BM001D	1							
12	2	129155-51060	SUPPORT, CAMSHAFT	1							
13	2	122710-51090	KEY	1							
14	2	129412-51200	PLUNGER ASSY	4							
17	2	129155-51140	PIN	4							
18	2	174307-51170	RETAINER, SPRING A	4							
19	2	129155-51180	RETAINER, SPRING	4							
20	2	124950-51190	SPRING, PLUNGER	4							
21	2	129155-51200	TAPPET ASSY	4							
28	2	129155-51270	STOPPER, TAPPET	4							
29	2	129155-51280	O-RING, S6	4							
30	2	105300-51300	VALVE ASSY, DELIVERY	4							
33	2	24341-000160	O-RING, 1AS16.0	1							
34	2	26022-050102	SCREW, M5X10	11							
35	2	129155-51320	SPRING, DELIVERY	4							
36	2	129155-51340	RETAINER	4							
37	2	124550-51350	GASKET, DELIVERY	4							
38	2	124550-51370	O-RING	4							
39	2	129155-51370	STOPPER, VALVE	4							
40	2	129155-51380	STOPPER	2							
41	2	129155-51390	STOPPER	2							
42	2	129555-51400	DEFLECTOR	1							
43	2	129155-51410	BOLT	1							
44	2	129155-51420	PLUG, M16	1							
45	2	129155-51450	SHIM SET, ADJUSTING	1							
50	2	129555-51500	RACK, CONTROL	1							
51	2	129155-51521	BUSH, RACK	1							
52	2	129155-51530	SPACER	1							
53	2	129155-51540	CIRCLIP	1							
54	2	129155-51550	PINION, CONTROL	4							
55	2	122117-51560	SCREW	4							
56	2	174307-51560	PINION	4							
57	2	129155-51570	PLUG, M12	1							
58	2	129155-51580	O-RING	1							
59	2	129155-51591	SPRING, RACK	1							
60	2	129155-51600	SHIM SET, ADJUSTING	4							
79	2	129555-51700	COVER	1							
80	2	129555-51710	GASKET	1							
81	2	129555-51750	COVER	1							
82	2	129555-51760	GASKET	1							
83	2	129155-51790	STOPPER, RACK	1							
84	2	129156-51910	LABEL, CAUTION	1							
85	2	129155-51930	SPACER, T=3.25	1							
86	2	129155-51940	SPACER, T=1.5	1							
87	2	22190-160002	WASHER, SEAL 16	1							

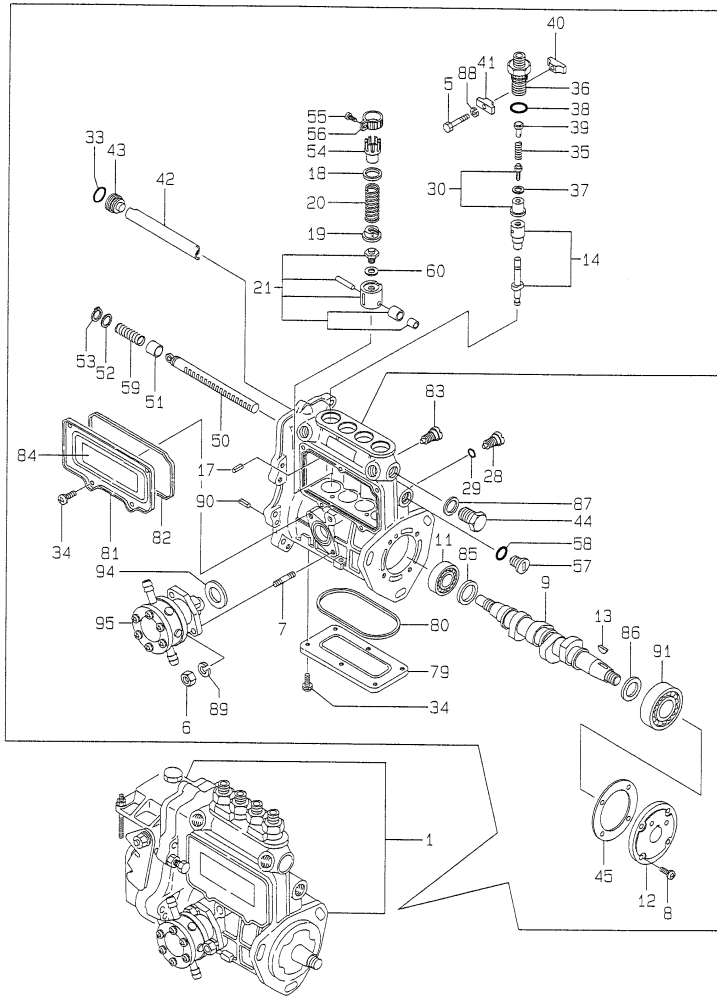
Remarks
(1)Governor(Fig.15 or 24) is incorporated in this Fuel Injection Pump (Ref.1).

Fig.14. FUEL INJECTION PUMP

(A)=4TNE84T-GB2
(B)=
(C)=

(D)=
(E)=
(F)=

Y0005190
4TNE84T-GB2



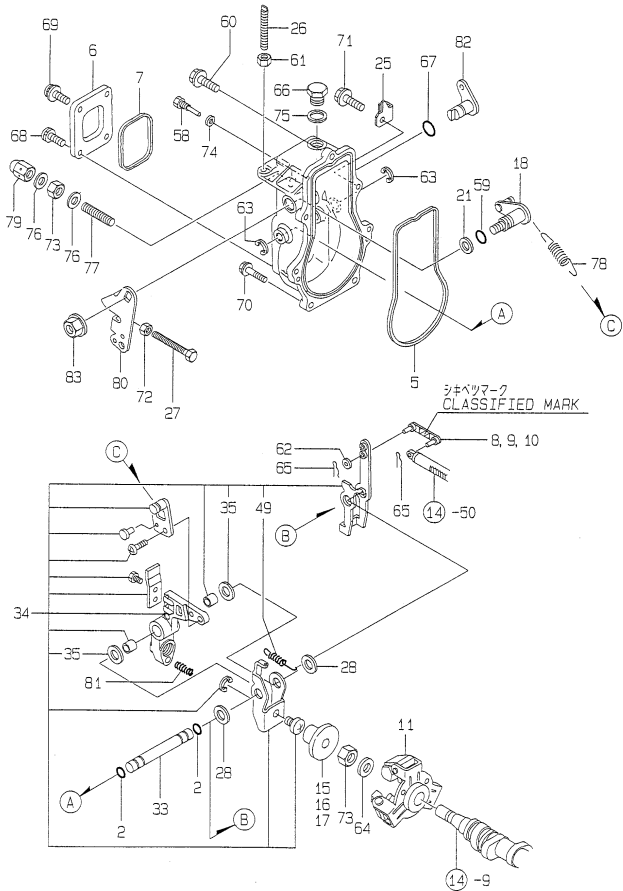
No.	Lev.	Parts No.	Description	Q'ty						I	R
				(A)	(B)	(C)	(D)	(E)	(F)		
88	2	22217-050000	WASHER, SPRING 5	2							
89	2	22217-060000	WASHER, SPRING 6	2							
90	2	22351-050010	PIN, SPRING 5.0X10	2							
91	2	24101-063034	BEARING, BALL 6303	1							
94	2	129155-52050	GASKET	1							
95	2	129100-52100	PUMP ASSY, FUEL FEED	1							

Remarks

(1)Governor(Fig.15 or 24) is incorporated in this Fuel Injection Pump (Ref.1).

Fig.15. GOVERNOR

Y0005190
3TNE84T-GB2



(A)=4TNE84T-GB2
(B)=
(C)=

(D)=
(E)=
(F)=

No.	Lev.	Parts No.	Description	Q'ty						I	R
				(A)	(B)	(C)	(D)	(E)	(F)		
2	2	129155-51280	O-RING, S6	2							
5	2	129155-61050	GASKET	1							
6	2	129155-61060	COVER, GOVERNOR CASE	1							
7	2	129155-61070	GASKET	1							
8	2	129155-61120	LINK, L=30 MARK 0	1							1
9	2	129155-61130	LINK, L=31 MARK 1	1							1
10	2	129155-61140	LINK, L=30.5 MARK 05	1							1
11	2	129155-61201	WEIGHT ASSY,GOVERNOR	1							
15	2	129155-61341	SLEEVE	1							2
16	2	129155-61350	SLEEVE, L=24.9	1							2
17	2	129155-61360	SLEEVE, L=25.2	1							2
18	2	129100-61400	SHAFT ASSY	1							
21	2	129155-61430	SPACER	1							
25	2	129116-61890	SUPPORT	1							
26	2	129155-61450	BOLT, LIMITER	1							
27	2	129155-61460	BOLT, IDLE	1							
28	2	129155-61480	SPACER ASSY	2							
33	2	129155-61490	SHAFT	1							
34	2	129116-61500	LEVER ASSY, GOVERNOR	1							
35	3	174307-51700	SHIM SET	2							
49	3	119843-61540	SPRING, SET	1							
58	2	129155-61810	PIN	1							
59	2	129155-61830	O-RING, S10	1							
60	2	129155-61950	BOLT	1							
61	2	124550-66370	NUT, M6	1							
62	2	22117-040000	WASHER, 4	1							
63	2	22272-000060	RING, E- 6	2							
64	2	22287-120000	WASHER, 12	1							
65	2	22372-040000	PIN, SNAP 4	2							
66	2	23887-100002	PLUG, 10	1							
67	2	24311-240100	O-RING, 1AP10A	1							
68	2	26022-050102	SCREW, M5X10	2							
69	2	26023-050102	SCREW, M5X10	2							
70	2	26106-060202	BOLT, M6X 20 PLATED	5							
71	2	26106-060252	BOLT, M6X 25 PLATED	1							
72	2	26756-060002	NUT, LOCK M6	1							
73	2	26776-120002	NUT, LOCK M12	2							
74	2	22190-060002	WASHER, SEAL 6	1							
75	2	22190-100002	WASHER, SEAL 10	1							
76	2	22190-120002	WASHER, SEAL 12	2							
77	2	129155-61470	BOLT, CONTROL	1							
78	2	129500-61700	SPRING, GOVERNOR	1							
79	2	26687-120002	NUT, CAP M12	1							
80	2	129100-61440	LEVER, CONTROL	1							
81	2	129500-61650	SPRING, FUEL CONTROL	1							
82	2	129116-61803	LEVER, STOP	1							
83	2	26366-080002	NUT, M8	1							

Remarks

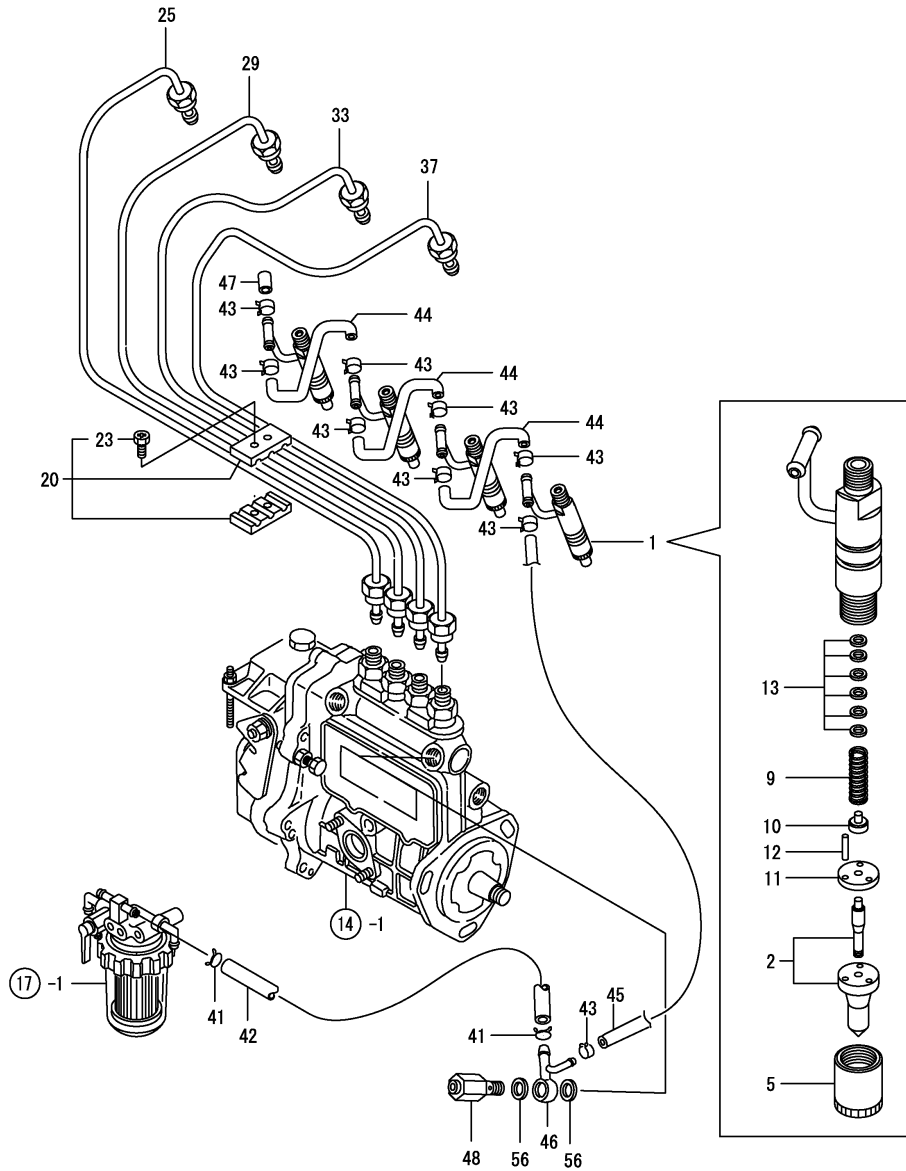
*This figure(Governor)is incorporated in the Fuel Injection Pump (Fig.14).

(1)Selective parts; certain the classification mark, then place your order (ref. to illustration).

(2)Selective parts.

*This figure(Governor)is fromE/#05431

Fig.16. FUEL INJECTION VALVE



(A)=4TNE84T-GB2
(B)=
(C)=

(D)=
(E)=
(F)=

No.	Lev.	Parts No.	Description	Q'ty						I	R
				(A)	(B)	(C)	(D)	(E)	(F)		
1	1	712102-53100	VALVE ASSY,INJECTION	4							M
1-1	1	729503-53200	VALVE ASSY,INJECTION	4							
2	2	129503-53050	VALVE ASSY,INJECTION	4							
5	2	114250-53080	NUT, NOZZLE D16.95	4							
9	2	114250-53120	SPRING, NOZZLE	4							
10	2	114250-53130	SEAT, SPRING	4							
11	2	114250-53140	PLATE	4							
12	2	114250-53210	PIN	8							
13	2	114250-53400	SHIM SET	4							
20	1	129150-59120	RETAINER, PIPE	2							
23	2	129150-59131	BOLT, M4X14	4							
25	1	129400-59810	PIPE ASSY, INJECTION	1							
29	1	129400-59820	PIPE ASSY, INJECTION	1							
33	1	129400-59830	PIPE ASSY, INJECTION	1							
37	1	129400-59840	PIPE ASSY, INJECTION	1							
41	1	124766-59050	CLIP, HOSE 12	2							
42	1	105025-59530	PIPE, FUEL D13X400	1							
43	1	124066-59100	CLIP, HOSE 8	9							
44	1	121250-59550	PIPE, FUEL D8X120	3							
45	1	119840-59560	PIPE, FUEL RETURN	1							
46	1	119840-59570	JOINT	1							
47	1	129150-59580	CAP	1							
48	1	129100-59951	VALVE ASSY, CHECK	1							
56	1	23414-120000	GASKET, 12X1.0	2							

Remarks
(M) MISPRINT.

Fig.17. FUEL LINE

(A)=4TNE84T-GB2

(B)=

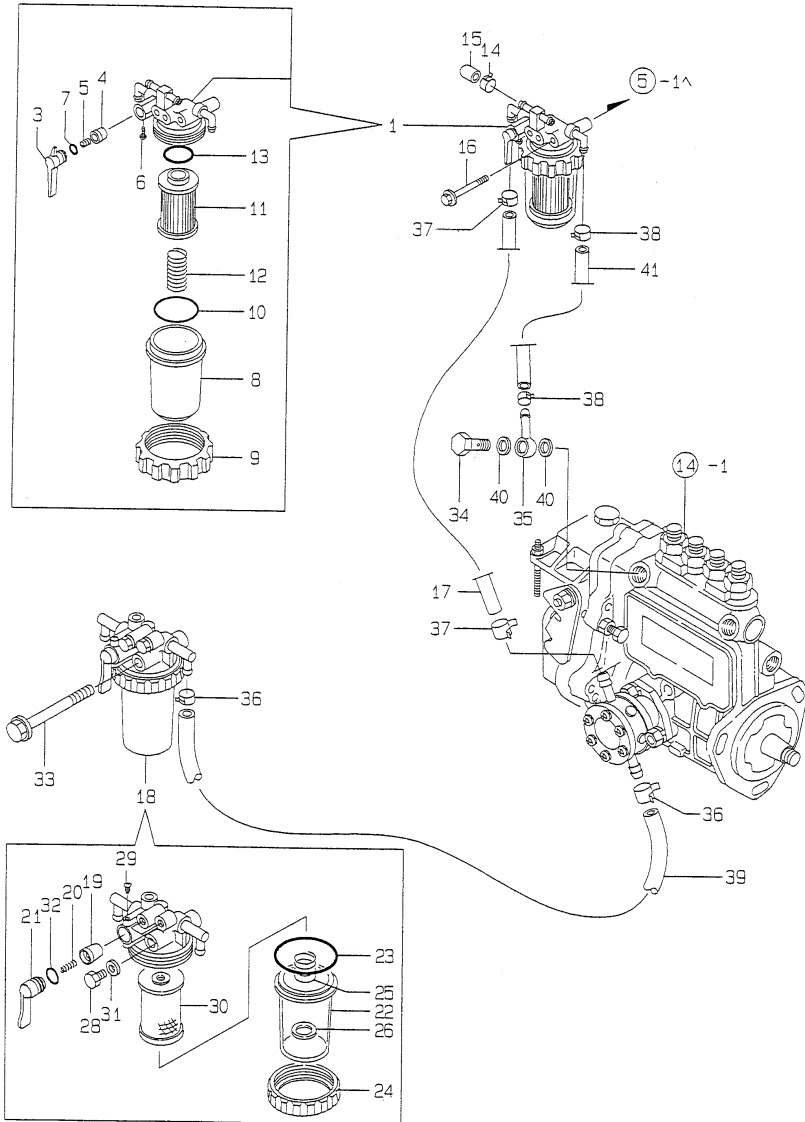
(C)=

(D)=

(E)=

(F)=

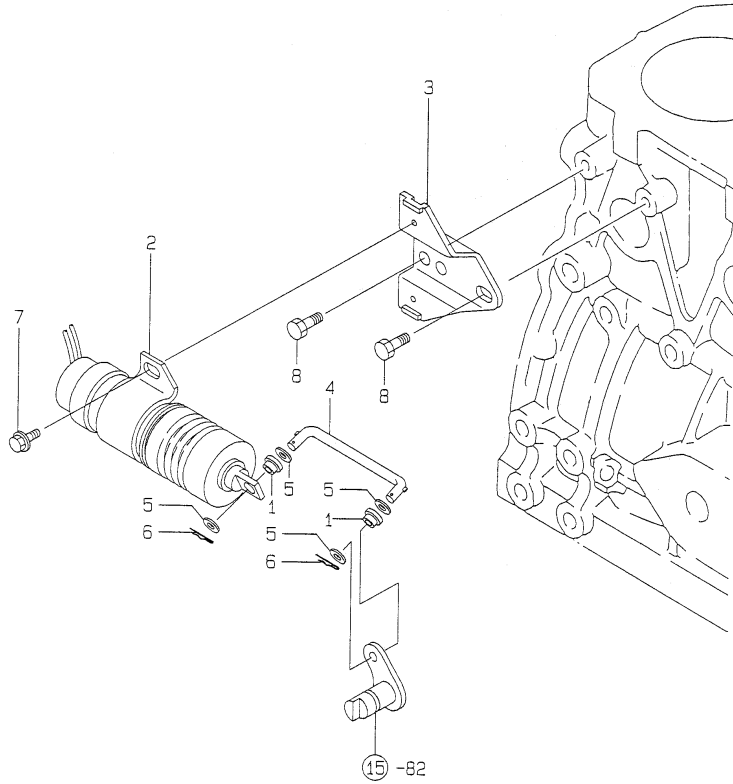
Y0005190
4TNE84T-GB2



No.	Lev.	Parts No.	Description	Q'ty						I	R
				(A)	(B)	(C)	(D)	(E)	(F)		
1	1	129100-55621	FILTER ASSY, FUEL	1							
1-1	1	129052-55620	FILTER ASSY, FUEL	1							N
(A=E05432)											
3	2	129100-55670	LEVER	1							
4	2	104200-55321	VALVE, TAPER	1							
5	2	104200-55330	SPRING, VALVE	1							
6	2	104200-55750	SCREW, M4	1							
7	2	24311-240100	O-RING, 1AP10A	1							
8	2	129100-55680	CUP, STRAINER	1							
9	2	129100-55690	RING, RETAINING	1							
10	2	24321-000650	O-RING, 1AG65.0	1							
11	2	129100-55650	ELEMENT	1							
12	2	129100-55700	SPRING	1							
13	2	24311-000160	O-RING, 1AP16.0	1							
14	1	124066-59100	CLIP, HOSE 8	1							Z
(A=E05432)											
15	1	129150-59580	CAP	1							Z
(A=E05432)											
16	1	26014-080702	BOLT, M8X 70	1							
17	1	105025-59530	PIPE, FUEL D13X400	1							
18	1	129335-55700	SEPARATOR ASSY,WATER	1							
19	2	104200-55321	VALVE, TAPER	1							
20	2	104200-55330	SPRING, VALVE	1							
21	2	104200-55341	HANDLE	1							
22	2	124064-55510	COVER	1							
23	2	102103-55520	O-RING	1							
24	2	110250-55610	RING, RETAINING	1							
25	2	121257-55720	SPRING	1							
26	2	121257-55731	FLOAT	1							
28	2	101720-55750	PLUG, 6	2							
29	2	104200-55750	SCREW, M4	1							
30	2	171081-55910	SCREEN	1							
31	2	23418-060000	GASKET, 6X1.0	2							
32	2	24311-240100	O-RING, 1AP10A	1							
33	1	26014-080702	BOLT, M8X 70	1							
34	1	103854-39140	BOLT, PIPE JOINT	1							
35	1	101304-59020	JOINT, PIPE 12	1							
36	1	124766-59050	CLIP, HOSE 12	2							
37	1	124766-59050	CLIP, HOSE 12	2							
38	1	124766-59050	CLIP, HOSE 12	2							
39	1	105025-59510	PIPE, FUEL	1							
40	1	104200-59170	GASKET, 12	2							
41	1	129555-59510	PIPE, D13/7.5X180	1							

Fig.18. ENGINE STOP DEVICE

Y0005190
4TNE84T-GB2

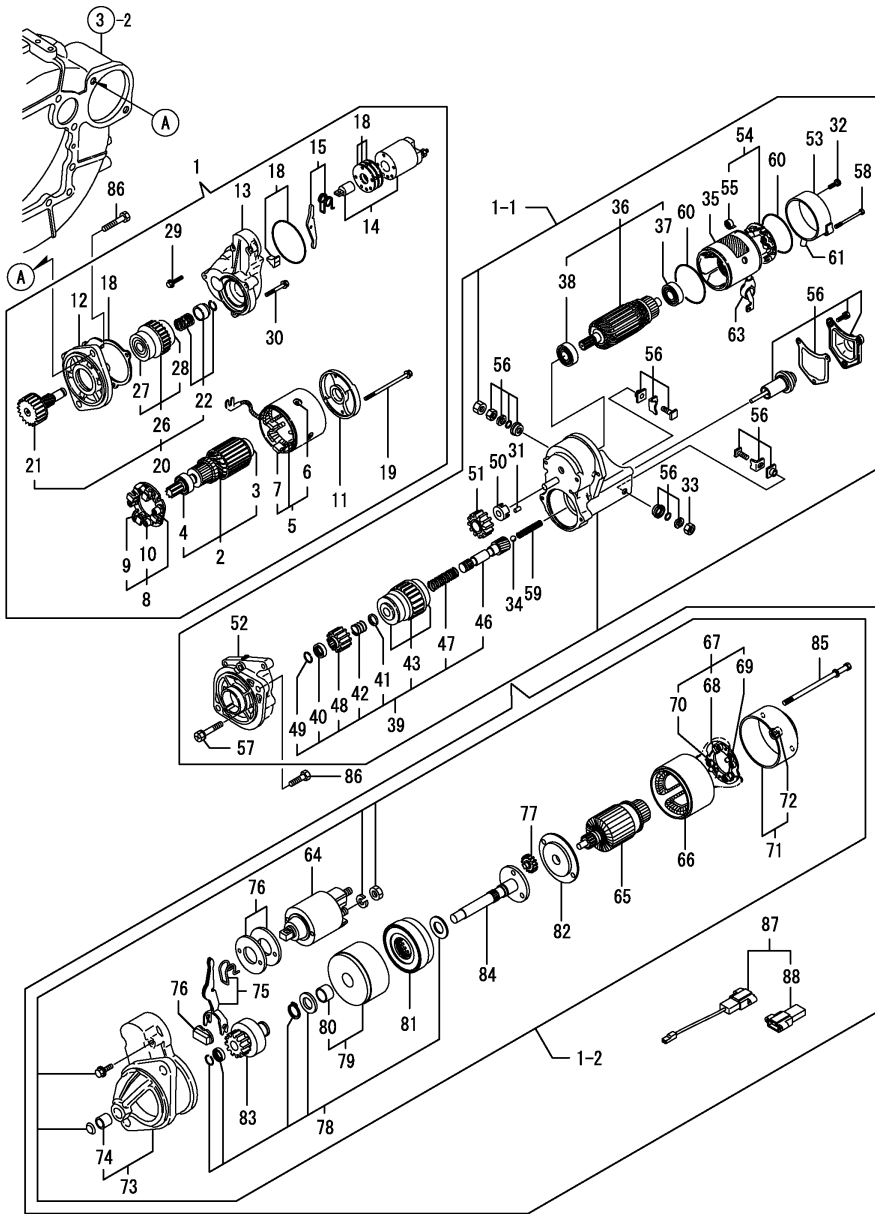


(A)=4TNE84T-GB2
(B)=
(C)=

(D)=
(E)=
(F)=

No.	Lev.	Parts No.	Description	Q'ty						I	R
				(A)	(B)	(C)	(D)	(E)	(F)		
1	1	119245-66400 (A=E05432)	BUSH	2							Z
2	1	129155-66800 (A=E05432)	SOLENOID	1							Z
3	1	129155-66811 (A=E05432)	BRACKET, SOLENOID	1							Z
4	1	129555-66822 (A=E05432)	LINK	1							Z
5	1	22137-040000 (A=E05432)	WASHER, 4	4							Z
6	1	22360-040000 (A=E05432)	PIN, SNAP 4	2							Z
7	1	26106-060102 (A=E05432)	BOLT, M6X 10 PLATED	2							Z
8	1	26106-080122 (A=E05432)	BOLT, M8X 12 PLATED	2							Z

Fig.19. STARTING MOTOR



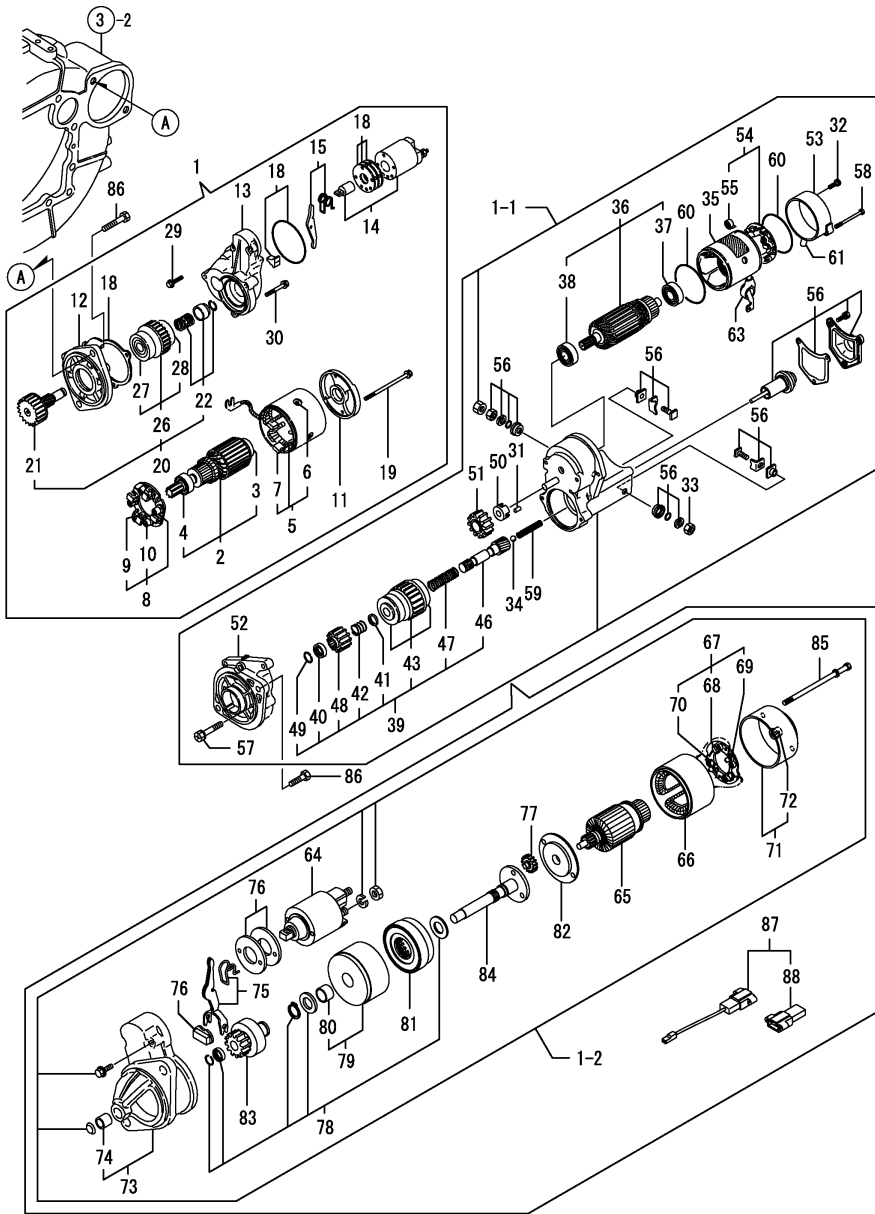
(A)=4TNE84T-GB2
(B)=
(C)=

(D)=
(E)=
(F)=

No.	Lev.	Parts No.	Description	(A)	(B)	(C)	Q'ty	(D)	(E)	(F)	I	R
1	1	129400-77011	STARTER, S13-94A	1								
1-1	1	129407-77010	STARTER, RA1.4	1								N
		(A=E05432)										
1-2	1	129608-77010	STARTER, S114-817A	1								F 1
		(A=E05889)										
2	2	129400-77400	ARMATURE ASSY	1								Z
		(A=E05432)										
3	3	171008-77410	BEARING(1)	1								Z
		(A=E05432)										
4	3	171008-77420	BEARING(2)	1								Z
		(A=E05432)										
5	2	129400-77440	COIL ASSY, FIELD	1								Z
		(A=E05432)										
6	3	171008-77450	SCREW	4								Z
		(A=E05432)										
7	3	129400-77460	BRUSH (+)	2								Z
		(A=E05432)										
8	2	129400-77470	HOLDER ASSY, BRUSH	1								Z
		(A=E05432)										
9	3	129400-77480	BRUSH (-)	2								Z
		(A=E05432)										
10	3	129400-77490	SPRING, BRUSH	4								Z
		(A=E05432)										
11	2	129400-77510	COVER, REAR	1								Z
		(A=E05432)										
12	2	171008-77510	HOUSING ASSY, GEAR	1								Z
		(A=E05432)										
13	2	129400-77520	HOUSING, CENTER	1								Z
		(A=E05432)										
14	2	129400-77530	SWITCH ASSY,MAGNETIC	1								Z
		(A=E05432)										
15	2	171008-77540	LEVER SET, SHIFT	1								Z
		(A=E05432)										
18	2	129400-77570	COVER KIT, DUST	1								Z
		(A=E05432)										
19	2	129400-77640	BOLT, THROUGH	2								Z
		(A=E05432)										
20	2	171008-77650	PINION ASSY	1								Z
		(A=E05432)										
21	3	171008-77660	SHAFT, PINION	1								Z
		(A=E05432)										
22	3	171008-77670	STOPPER SET, PINION	1								Z
		(A=E05432)										
26	3	171008-77720	CLUTCH ASSY	1								Z
		(A=E05432)										
27	4	171008-77730	BALL BEARING (3)	1								Z
		(A=E05432)										
28	4	171008-77740	BALL BEARING (4)	1								Z
		(A=E05432)										
29	2	26106-060322	BOLT, M6X 32 PLATED	2								Z
		(A=E05432)										

Remarks
(1) Ref.no.1-2 & 87 Interchangeable by set.

Fig.19. STARTING MOTOR



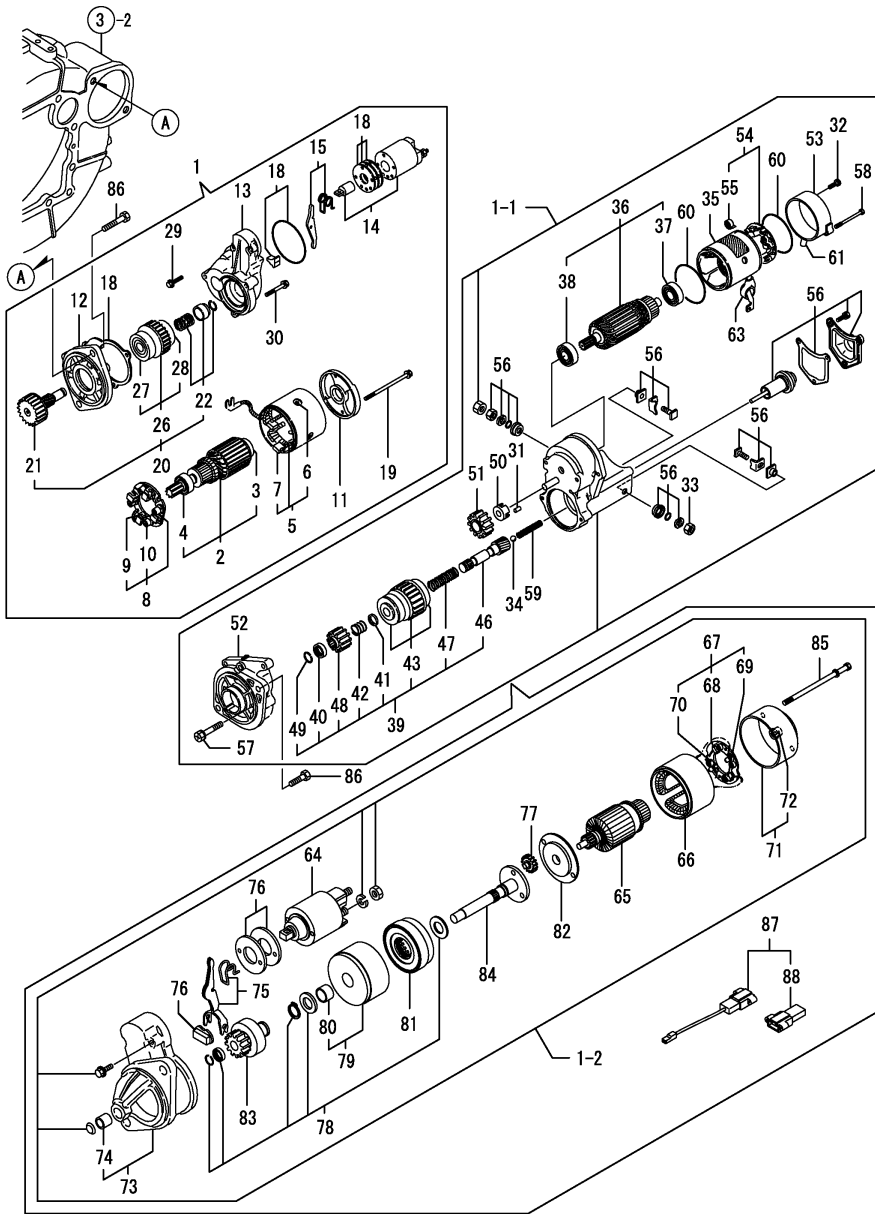
(A)=4TNE84T-GB2
(B)=
(C)=

(D)=
(E)=
(F)=

No.	Lev.	Parts No.	Description	Q'ty						I	R
				(A)	(B)	(C)	(D)	(E)	(F)		
30	2	26106-060402 (A=E05432)	BOLT, M6X 40 PLATED	3							Z
31	2	X0283060061	ROLLER	5							W
31-1	2	X0283060061 (A=E05889)	ROLLER	5							Z
32	2	X0289030010 (A=E05432)	SCREW	2							W
32-1	2	X0289030010 (A=E05889)	SCREW	2							Z
33	2	X9490561370 (A=E05432)	NUT	1							W
33-1	2	X9490561370 (A=E05889)	NUT	1							Z
34	2	X9491200240	BALL	1							W
34-1	2	X9491200240 (A=E05889)	BALL	1							Z
35	2	129407-77210 (A=E05432)	YOKE ASSY	1							W
35-1	2	129407-77210 (A=E05889)	YOKE ASSY	1							Z
36	2	129407-77220 (A=E05432)	ARMATURE ASSY	1							W
36-1	2	129407-77220 (A=E05889)	ARMATURE ASSY	1							Z
37	3	129129-77230	BEARING	1							W
37-1	3	129129-77230 (A=E05889)	BEARING	1							Z
38	3	129129-77240 (A=E05432)	BEARING	1							W
38-1	3	129129-77240 (A=E05889)	BEARING	1							Z
39	2	129407-77250 (A=E05432)	STARTER	1							W
39-1	2	129407-77250 (A=E05889)	STARTER	1							Z
40	3	X0280210230	NUT	1							W
40-1	3	X0280210230 (A=E05889)	NUT	1							Z
41	3	X0283270140 (A=E05432)	RETAINER	1							W
41-1	3	X0283270140 (A=E05889)	RETAINER	1							Z
42	3	129407-77410 (A=E05432)	SPRING	1							W
42-1	3	129407-77410 (A=E05889)	SPRING	1							Z
43	3	129407-77390	CLUTCH ASSY	1							W

Remarks
(1) Ref.no.1-2 & 87 Interchangeable by set.

Fig.19. STARTING MOTOR



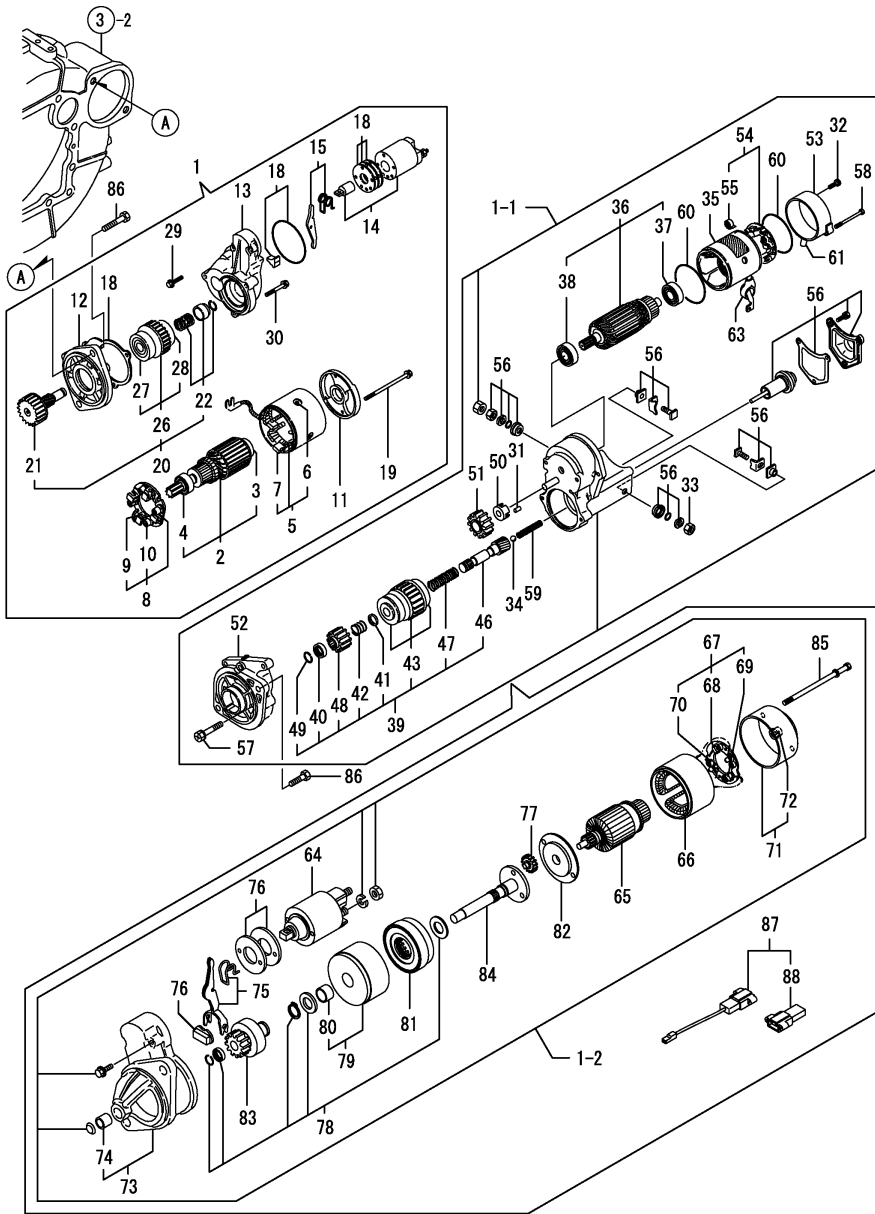
(A)=4TNE84T-GB2
(B)=
(C)=

(D)=
(E)=
(F)=

No.	Lev.	Parts No.	Description	Q'ty						I	R
				(A)	(B)	(C)	(D)	(E)	(F)		
43-1		(A=E05432) 3 129407-77390	CLUTCH ASSY	1							Z
46		(A=E05889) 3 129129-77400	SHAFT	1							W
46-1		(A=E05432) 3 129129-77400	SHAFT	1							Z
47		(A=E05889) 3 129129-77410	SPRING, COIL	1							W
47-1		(A=E05432) 3 129129-77410	SPRING, COIL	1							Z
48		(A=E05889) 3 129129-77420	PINION	1							W
48-1		(A=E05432) 3 129129-77420	PINION	1							Z
49		(A=E05889) 3 129129-77430	RING	1							W
49-1		(A=E05432) 3 129129-77430	RING	1							Z
50		(A=E05889) 2 129129-77260	RETAINER	1							W
50-1		(A=E05432) 2 129129-77260	RETAINER	1							Z
51		(A=E05889) 2 129129-77270	PINION	1							W
51-1		(A=E05432) 2 129129-77270	PINION	1							Z
52		(A=E05889) 2 129407-77280	HOUSING	1							W
52-1		(A=E05432) 2 129407-77280	HOUSING	1							Z
53		(A=E05889) 2 129129-77290	FRAME	1							W
53-1		(A=E05432) 2 129129-77290	FRAME	1							Z
54		(A=E05889) 2 129407-77300	HOLDER ASSY	1							W
54-1		(A=E05432) 2 129407-77300	HOLDER ASSY	1							Z
55		(A=E05889) 3 X9491730461	SPRING	4							W
55-1		(A=E05432) 3 X9491730461	SPRING	4							Z
56		(A=E05889) 2 129407-77310	SWITCH ASSY	1							W
56-1		(A=E05432) 2 129407-77310	SWITCH ASSY	1							Z
57		(A=E05889) 2 129129-77320	BOLT	2							W
57-1		(A=E05432) 2 129129-77320	BOLT	2							Z

Remarks
(1) Ref.no.1-2 & 87 Interchangeable by set.

Fig.19. STARTING MOTOR



(A)=4TNE84T-GB2
(B)=
(C)=

(D)=
(E)=
(F)=

No.	Lev.	Parts No.	Description	Q'ty						I	R
				(A)	(B)	(C)	(D)	(E)	(F)		
58	2	129407-77330 (A=E05432)	BOLT	2							W
58-1	2	129407-77330 (A=E05889)	BOLT	2							Z
59	2	129129-77340 (A=E05432)	SPRING	1							W
59-1	2	129129-77340 (A=E05889)	SPRING	1							Z
60	2	129129-77350 (A=E05432)	O-RING	2							W
60-1	2	129129-77350 (A=E05889)	O-RING	2							Z
61	2	129129-77361 (A=E05432)	BUSH	1							W
61-1	2	129129-77361 (A=E05889)	BUSH	1							Z
63	2	129129-77380 (A=E05432)	CAP	1							W
63-1	2	129129-77380 (A=E05889)	CAP	1							Z
64	2	129698-77020 (A=E05889)	MAGNETIC SWITCH ASSY	1							W
65	2	129698-77101 (A=E05889)	ARMATURE ASSY	1							W
66	2	129608-77110 (A=E05889)	YOKE ASSY	1							W
67	2	129698-77120 (A=E05889)	HOLDER ASSY, BRUSH	1							W
68	3	129698-77140 (A=E05889)	BRUSH(+) SET	1							W
69	3	129698-77130 (A=E05889)	BRUSH (-)	2							W
70	3	129698-77150 (A=E05889)	SPRING, BRUSH	4							W
71	2	129698-77161 (A=E05889)	COVER ASSY	1							W
72	3	129698-77170 (A=E05889)	BEARING	1							W
73	2	129698-77260 (A=E05889)	HOUSING ASSY, GEARS	1							W
74	3	X2114535200 (A=E05889)	METAL, STARTER	1							W
75	2	129698-77270 (A=E05889)	LEVER SET, SHIFT	1							W
76	2	129698-77280 (A=E05889)	COVER KIT	1							W
77	2	129698-77240 (A=E05889)	GEAR	3							W
78	2	129698-77250 (A=E05889)	WASHER SET	1							W
79	2	129698-77180	BRACKET	1							W

Remarks
(1) Ref.no.1-2 & 87 Interchangeable
by set.

Fig.19. STARTING MOTOR

(A)=4TNE84T-GB2

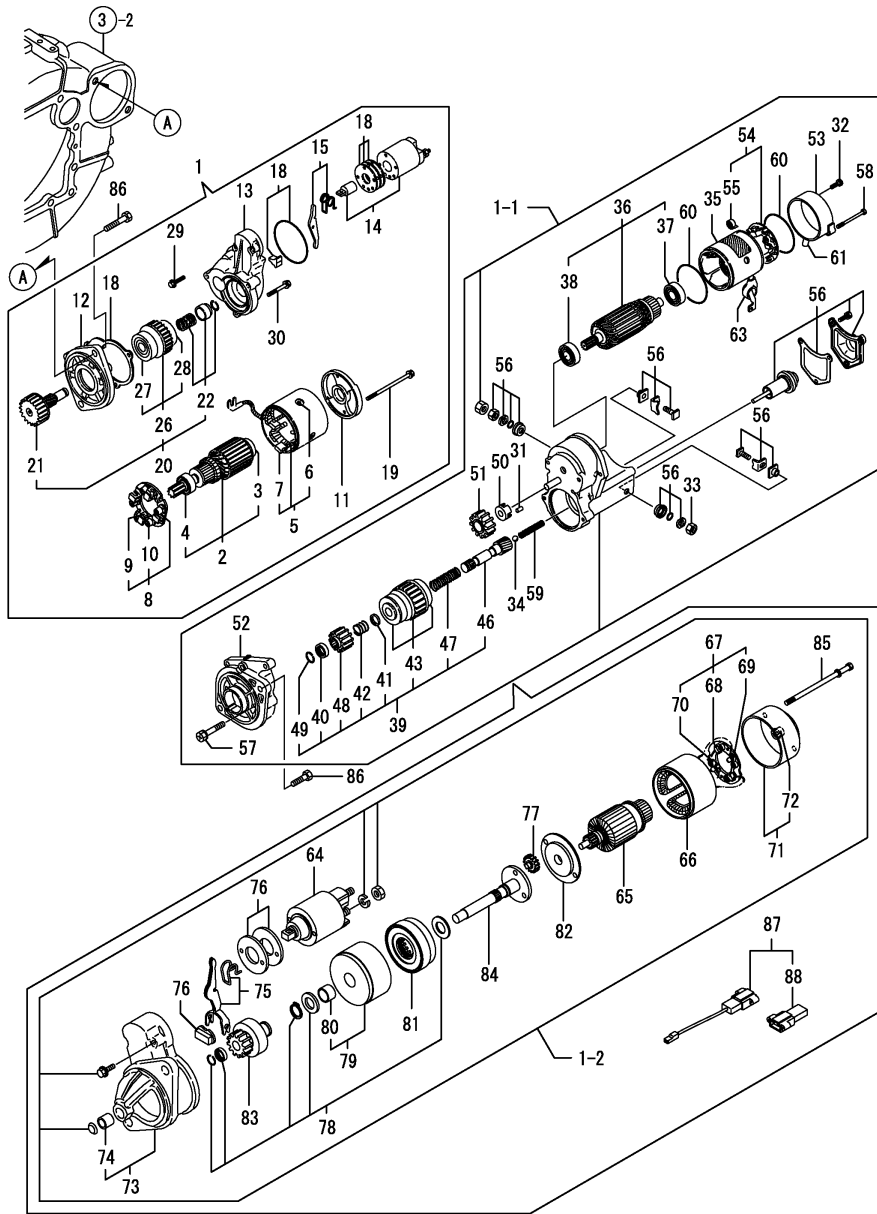
(B)=

(C)=

(D)=

(E)=

(F)=



No.	Lev.	Parts No.	Description	Q'ty						I	R	
				(A)	(B)	(C)	(D)	(E)	(F)			
		(A=E05889)										
80	3	129698-77190	BRACKET	1								W
		(A=E05889)										
81	2	129698-77200	GEAR, INTERNAL	1								W
		(A=E05889)										
82	2	129698-77210	BRACKET	1								W
		(A=E05889)										
83	2	129698-77220	PINION ASSY	1								W
		(A=E05889)										
84	2	129698-77230	SHAFT(PINION	1								W
		(A=E05889)										
85	2	124195-77770	THROUGH BOLT	2								W
		(A=E05889)										
86	1	26116-120252	BOLT, M12X 25 PLATED	2								
87	1	129052-77951	CONNECTOR, STARTER	1								W 1
		(A=E05889)										
88	2	129052-77960	HOUSING	1								W 1
		(A=E05889)										

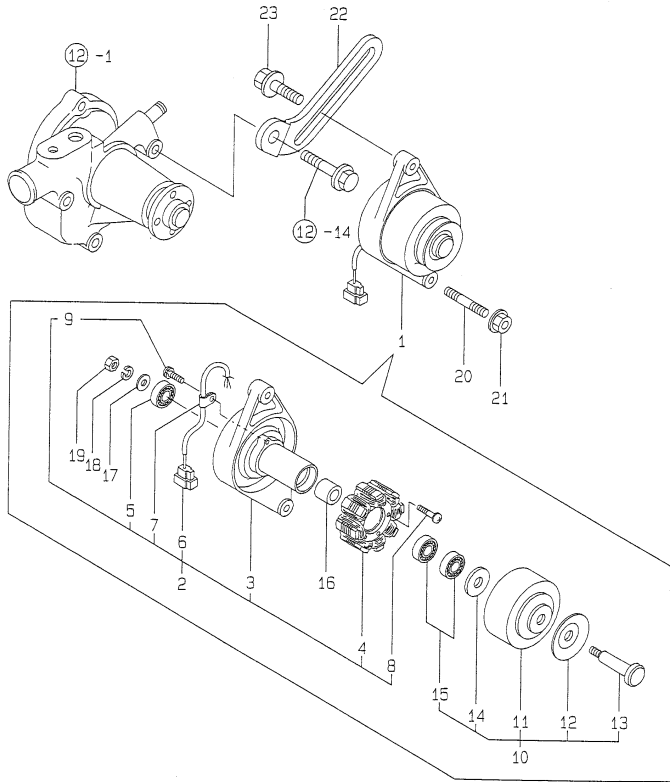
Remarks
 (1) Ref.no.1-2 & 87 Interchangeable by set.

Fig.20. GENERATOR

(A)=4TNE84T-GB2
(B)=
(C)=

(D)=
(E)=
(F)=

Y00D5190
4TNE84T-GB2



No.	Lev.	Parts No.	Description	Q'ty						I	R
				(A)	(B)	(C)	(D)	(E)	(F)		
1	1	171301-77201	DYNAMO ASSY, 15A	1							
2	2	XM08137	PLATE ASSY	1							
3	3	XM08138	PLATE	1							
4	3	XM08180	STATOR SET	1							
5	3	XM27436	BEARING, BALL	1							
6	3	XM17878	COUPLER	1							
7	3	XM36410	CLAMP	1							
8	3	26022-040252	SCREW, M4X25	2							
9	3	XYSPS4008	SCREW	1							
10	2	XM82184	FLYWHEEL ASSY	1							
11	3	XM82110	FLYWHEEL	1							
12	3	XM72174	PULLEY	1							
13	3	XM72664	SHAFT	1							
14	3	XM37336	WASHER	1							
15	3	XM27436	BEARING, BALL	2							
16	2	106383-44720	SPACER	1							
17	2	106383-44730	WASHER	1							
18	2	22212-100000	SPRING WASHER 10	1							
19	2	26716-100002	NUT, M10	1							
20	1	121450-01570	STUD	1							
21	1	26366-100002	NUT, M10	1							
22	1	129400-77330	ADJUSTER	1							
22-1	1	129410-77330	ADJUSTER	1							F 1
(A=EZZZZZ)											
23	1	26014-080252	BOLT, M8X 25	1							

Remarks

(1)Interchangeable by simultaneous replacement with Fig.12 Ref.No.1-1, 19-1.

Fig.21. ELECTRIC PART

(A)=4TNE84T-GB2

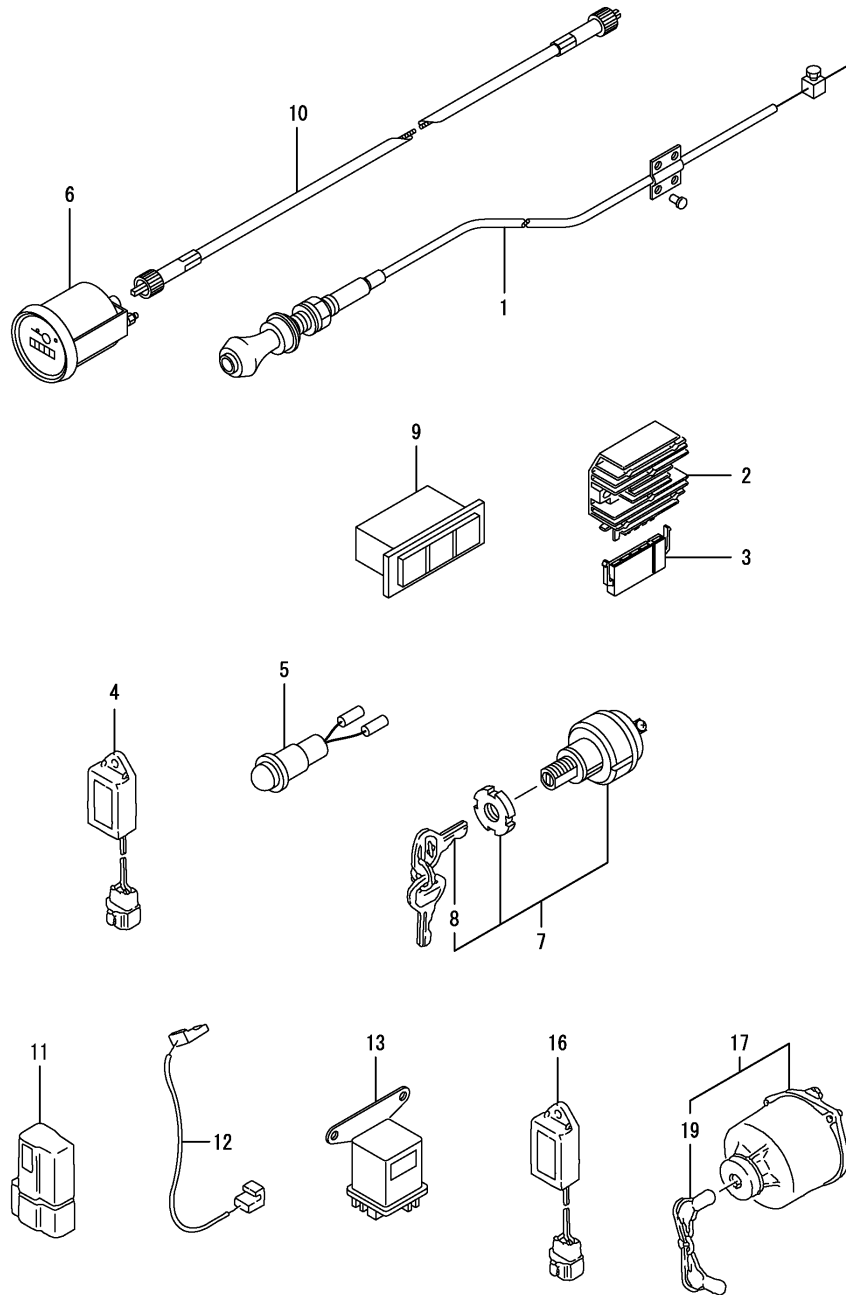
(B)=

(C)=

(D)=

(E)=

(F)=



No.	Lev.	Parts No.	Description	Q'ty						I	R
				(A)	(B)	(C)	(D)	(E)	(F)		
1	1	170029-67100	CABLE, PUSH-PULL	1							
2	1	119660-77710	LIMITER, CURRENT 15A	1							
2-1	1	119660-77711	LIMITER, CURRENT 15A	1							N
(A=E05849)											
3	1	171301-77720	COUPLER	1							
4	1	128300-77920	TIMER	1							Z
(A=E05432)											
5	1	124732-77970	LAMP, PILOT	1							Z
(A=E05432)											
6	1	171080-91100	TACHOMETER	1							
7	1	121400-91251	SWITCH, STARTER	1							
8	2	121400-91271	KEY, SWITCH	2							
9	1	170038-91310	UNIT, LAMP (RED)	1							
10	1	42130-502220	CABLE, TACHOMETER	1							
11	1	119643-66900	DIODE	1							W
(A=E05432)											
12	1	119643-77900	CONNECTOR, STARTER	1							W
(A=E05432)											
13	1	119650-77910	RELAY ASSY, GLOW	1							W
(A=E05432)											
16	1	119632-77920	TIMER	1							W
(A=E05432)											
17	1	129115-91250	SWITCH ASSY	1							W
(A=E05432)											
19	2	129115-91270	KEY ASSY	1							W
(A=E05432)											

Fig.22. GASKET SET & TOOL(OPTIONAL)

(A)=4TNE84T-GB2

(B)=

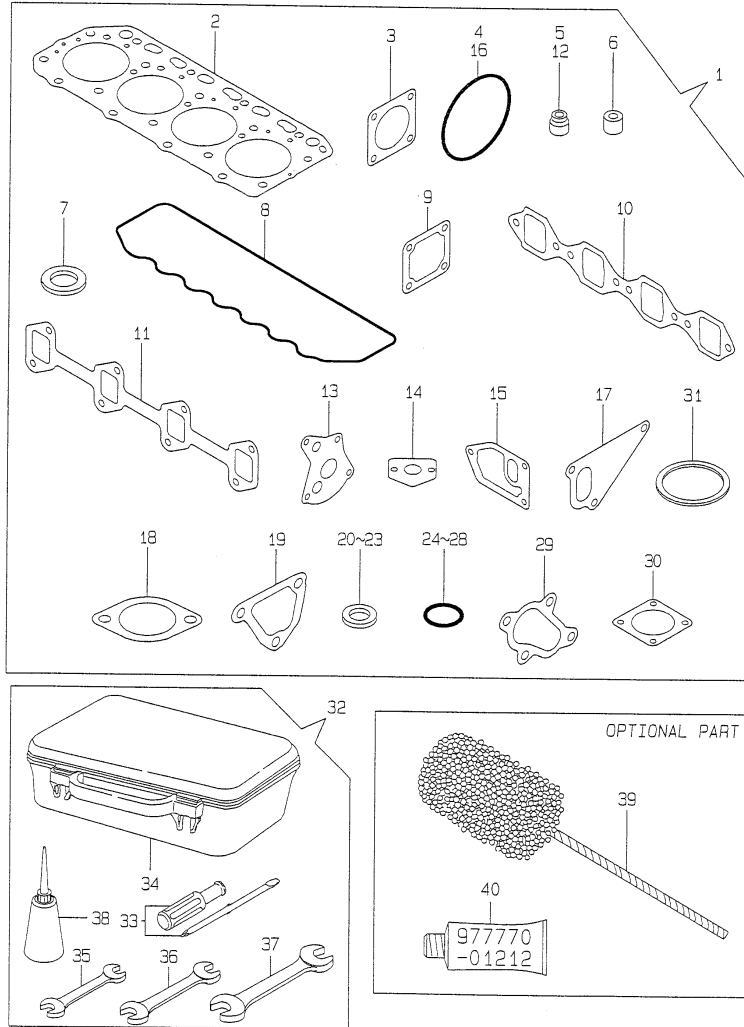
(C)=

(D)=

(E)=

(F)=

Y00D5190
4TNE84T-GB2



No.	Lev.	Parts No.	Description	Q'ty						I	R
				(A)	(B)	(C)	(D)	(E)	(F)		
1	1	729408-92600	GASKET SET	1							1
2	2	129408-01330	GASKET, HEAD	1							
3	2	124240-01883	GASKET	1							
4	2	121850-51960	O-RING	1							
5	2	124460-11340	SEAL, VALVE STEM	4							
6	2	119625-11871	PROTECTOR, NOZZLE	4							
7	2	119625-11880	SEAT, NOZZLE	4							
8	2	129550-11310	GASKET, BONNET	1							
9	2	129150-77511	GASKET	1							
10	2	129550-12111	GASKET, MANIFOLD	1							
11	2	129550-13110	GASKET	1							
12	2	121400-11340	SEAL, VALVE STEM	4							
13	2	129150-32020	GASKET, PUMP	1							
14	2	129150-35041	GASKET	1							
15	2	129120-35121	GASKET	1							
16	2	129120-35110	GASKET	1							
17	2	129100-42020	GASKET, WATER PUMP	1							
18	2	129795-49551	GASKET	1							
19	2	129100-49840	GASKET	1							
20	2	124465-44950	GASKET, 16	2							
21	2	104200-59170	GASKET, 12	2							
22	2	23414-120000	GASKET, 12X1.0	2							
23	2	23414-100000	GASKET, 10X1.0	4							
24	2	24311-000120	O-RING, 1AP12.0	3							
25	2	24311-000160	O-RING, 1AP16.0	3							
26	2	24314-000160	O-RING, 4CP16.0	1							
27	2	24311-000320	O-RING, 1AP32.0	2							
28	2	24341-000500	O-RING, 1AS50.0	1							
29	2	129403-18080	GASKET	1							
30	2	129322-18100	GASKET	1							
31	2	129150-49811	GASKET, THERMOSTAT	1							
32	1	171001-93100	BOX, TOOL	1							
33	2	104200-92350	DRIVER, SCREW	1							
34	2	104200-92600	BOX, TOOL	1							
35	2	28110-100120	SPANNER, 10X12	1							
36	2	28110-140170	SPANNER, 14X17	1							
37	2	28110-190220	SPANNER, 19X22	1							
38	2	28210-000140	OILER	1							
39	1	129400-92420	FLEX HORN	1							1
40	1	977770-01212	GASKET, LIQUID	1							1

Remarks

(1) OPTIONAL PART.

N:Old $\begin{matrix} \leftarrow \text{Yes} \\ \text{No} \end{matrix}$ New, Q:Old $\begin{matrix} \leftarrow \text{No} \\ \text{Yes} \end{matrix}$ New, R:Old $\begin{matrix} \leftarrow \text{Yes} \\ \text{Yes} \end{matrix}$ New, S:Old $\begin{matrix} \leftarrow \text{No} \\ \text{No} \end{matrix}$ New, W:Add, Z:Discontinued, F:Interchangeable by set, K:Q'ty Change

Fig.23. GOVERNOR

(A)=4TNE84T-GB2

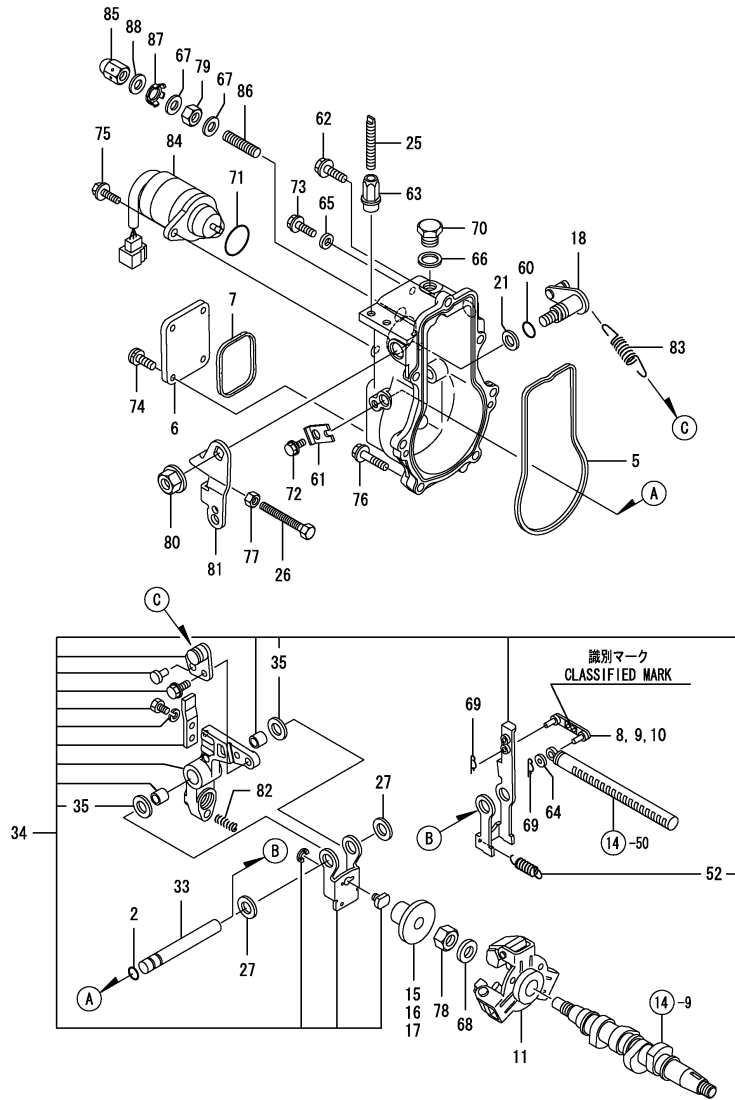
(B)=

(C)=

(D)=

(E)=

(F)=



No.	Lev.	Parts No.	Description	Q'ty						I	R
				(A)	(B)	(C)	(D)	(E)	(F)		
2	2	129155-51280	O-RING, S6	1							
5	2	129052-61051	GASKET	1							
6	2	129052-61060	COVER, GOVERNOR CASE	1							
7	2	129052-61071	GASKET	1							
8	2	129155-61120	LINK, L=30 MARK 0	1							1
9	2	129155-61130	LINK, L=31 MARK 1	1							1
10	2	129155-61140	LINK, L=30.5 MARK 05	1							1
11	2	129155-61202	WEIGHT ASSY,GOVERNOR	1							
15	2	129155-61341	SLEEVE	1							2
16	2	129155-61350	SLEEVE, L=24.9	1							2
17	2	129155-61360	SLEEVE, L=25.2	1							2
18	2	129100-61400	SHAFT ASSY	1							
21	2	129155-61430	SPACER	1							
25	2	129155-61450	BOLT, LIMITER	1							
26	2	129155-61460	BOLT, IDLE	1							
27	2	129155-61480	SPACER ASSY	2							
33	2	129052-61390	SHAFT	1							
34	2	129486-61501	LEVER ASSY, GOVERNOR	1							
35	3	174307-51700	SHIM SET	2							
52	3	129486-61540	SPRING, SET	1							
60	2	129155-61830	O-RING, S10	1							
61	2	119660-61901	RETAINER, SHAFT	1							
62	2	129155-61950	BOLT	1							
63	2	129209-61370	NUT, M6	1							
64	2	22117-040000	WASHER, 4	1							
65	2	22190-060003	SEAL WASER 6	1							
66	2	22190-100002	WASHER, SEAL 10	1							
67	2	22190-120002	WASHER, SEAL 12	2							
68	2	22287-120000	WASHER, 12	1							
69	2	22372-040000	PIN, SNAP 4	2							
70	2	23887-100002	PLUG, 10	1							
71	2	158552-61900	O-RING	1							
72	2	26106-060102	BOLT, M6X 10 PLATED	1							
73	2	26106-060102	BOLT, M6X 10 PLATED	1							
74	2	26106-060102	BOLT, M6X 10 PLATED	4							
75	2	26106-060142	BOLT, M6X 14 PLATED	2							
76	2	26106-060202	BOLT, M6X 20 PLATED	6							
77	2	26756-060002	NUT, LOCK M6	1							
78	2	26776-120002	NUT, LOCK M12	1							
79	2	26736-120002	NUT, M12	1							
80	2	26366-080002	NUT, M8	1							
81	2	171488-61440	LEVER, CONTROL	1							
82	2	129500-61650	SPRING, FUEL CONTROL	1							
83	2	129500-61700	SPRING, GOVERNOR	1							
84	2	119653-77950	SOLENOID, STOP	1							
85	2	129209-61930	NUT, CAP	1							
86	2	120323-61470	BOLT, CONTROL	1							
87	2	129209-61970	PLATE	1							
88	2	23414-120016	GASKET, 12X1.0	1							

Remarks

*This figure(Governor)is incorporated in the Fuel Injection Pump (Fig.14).

(1)Selective parts; certain the classification mark, then place your order (ref. to illustration).

(2)Selective parts.

*This figure(Governor)is to E/#05432.

Parts No. Index

Parts No.	Fig. No.	Ref. No.
101304-59020	17	35
101720-55750	17	28
102103-55520	17	23
103854-39140	17	34
104200-55321	17	4
		19
104200-55330	17	5
		20
104200-55341	17	21
104200-55750	17	6
		29
104200-59170	17	40
	22	21
104200-92350	22	33
104200-92600	22	34
104207-44480	12	41
105025-59510	17	39
105025-59530	16	42
	17	17
105300-51300	14	30
106383-44720	20	16
106383-44730	20	17
110250-55610	17	24
114250-53080	16	5
114250-53120	16	9
114250-53130	16	10
114250-53140	16	11
114250-53210	16	12
114250-53400	16	13
119131-18320	6	2 -1
119226-07900	4	64
119245-66400	18	1
119620-01750	3	3
119625-11871	4	34
	22	6
119625-11880	4	35
	22	7
119625-11900	4	36
119632-77920	21	16
119643-66900	21	11
119643-77900	21	12
119650-77910	21	13
119653-77950	23	84
119660-61901	23	61
119660-77710	21	2
119660-77711	21	2 -1
119802-13650	6	5 -1
119802-13670	6	6 -1
119802-13820	6	7 -2
119840-59560	16	45

Parts No.	Fig. No.	Ref. No.
119840-59570	16	46
119843-61540	15	49
119865-21600	9	16
120130-11860	4	15
120323-61470	23	86
121111-21501	9	12
121250-44901	12	38
121250-59550	16	44
121252-39150	11	2
121256-44600	13	11
121257-55720	17	25
121257-55731	17	26
121400-11340	4	29
	22	12
121400-12540	5	21
121400-12560	5	22
121400-12570	5	23
121400-44910	13	14
121400-91251	21	7
121400-91271	21	8
121420-12511	5	12
121420-12540	5	15
121420-12550	5	16
121420-12561	5	17
121422-12530	5	14
121422-12570	5	18
121422-12580	5	19
121450-01560	2	6
121450-01570	20	20
121450-42450	12	37
121520-34810	10	17
121521-12400	5	29
121521-12500	5	11
121550-23200	9	30
121850-11860	4	19
121850-21680	9	11
121850-51960	2	12
	22	4
122117-51560	14	55
122710-51090	14	13
123682-44210	13	2
124064-55510	17	22
124066-59100	16	43
	17	14
124070-13300	11	14
124160-01751	2	7
	4	54
124160-01910	1	5
		6
124160-11360	4	37

Parts No.	Fig. No.	Ref. No.
124160-39140	11	1
124160-39450	10	24
124195-77770	19	85
124223-39900	11	9
124240-01871	2	8
124240-01883	2	9
	22	3
124450-44510	13	3
124450-44530	13	5
124450-44550	13	8
124450-44560	13	6
124460-11340	4	30
	22	5
124465-44950	12	39
		40
	22	20
124550-51350	14	37
124550-51370	14	38
124550-59820	11	10
124550-66370	15	61
124732-77970	21	5
124736-07900	4	6
124764-44800	13	12
124764-44810	13	13
124766-59050	16	41
	17	36
		37
		38
124770-11770	12	22
124950-51190	14	20
126650-12680	5	20
128300-77920	21	4
129001-02800	1	16
129001-42001	12	1 -1
129001-42040	12	45
129002-22090	9	17
129002-22510	9	19
129002-22910	9	33
129002-22960	9	35
129052-55620	17	1 -1
129052-61051	23	5
129052-61060	23	6
129052-61071	23	7
129052-61390	23	33
129052-77951	19	87
129052-77960	19	88
129100-01580	3	1
		15
	9	2
129100-01640	3	16

Parts No.	Fig. No.	Ref. No.
129100-11100	4	24
129100-11130	4	25
129100-23910	9	29
129100-25061	8	9
129100-42002	12	1
129100-42020	12	12
	22	17
129100-49800	12	21
129100-49820	12	24
129100-49830	12	25
129100-49840	12	30
	22	19
129100-52100	14	95
129100-55621	17	1
129100-55650	17	11
129100-55670	17	3
129100-55680	17	8
129100-55690	17	9
129100-55700	17	12
129100-59951	16	48
129100-61400	15	18
	23	18
129100-61440	15	80
129103-49301	12	13
129111-67010	3	21
129115-91250	21	17
129115-91270	21	19
129116-61500	15	34
129116-61803	15	82
129116-61890	15	25
129120-33001	10	33
129120-33040	10	35
129120-33051	10	36
129120-33060	10	37
129120-35001	10	38
129120-35110	10	42
	22	16
129120-35121	10	43
	22	15
129120-49030	12	42
129120-77501	5	8
129129-77230	19	37
		37 -1
129129-77240	19	38
		38 -1
129129-77260	19	50
		50 -1
129129-77270	19	51
		51 -1
129129-77290	19	53

Parts No. Index

Parts No.	Fig. No.	Ref. No.
129129-77290	19	53 -1
129129-77320	19	57
		57 -1
129129-77340	19	59
		59 -1
129129-77350	19	60
		60 -1
129129-77361	19	61
		61 -1
129129-77380	19	63
		63 -1
129129-77400	19	46
		46 -1
129129-77410	19	47
		47 -1
129129-77420	19	48
		48 -1
129129-77430	19	49
		49 -1
129132-49050	12	35
129137-49100	13	17
129150-01200	1	23
129150-02020	1	8
129150-02450	8	4
129150-02870	1	25
129150-02930	1	19
129150-02940	1	28
129150-03020	4	55
129150-03070	4	56
129150-03080	4	57
129150-03100	2	11
129150-11230	4	46
129150-11280	4	41
129150-11370	4	31
129150-11750	4	48
129150-11810	4	17
129150-14101	8	7
129150-14200	8	1
129150-14400	8	2
129150-21200	9	5
129150-23600	9	31
129150-23610	9	39
129150-25101	8	10
129150-25900	8	15
129150-25920	8	13
129150-32020	10	14
	22	13
129150-35041	10	18
	22	14
129150-35042	10	18 -1

Parts No.	Fig. No.	Ref. No.
129150-35151	10	44
129150-35350	10	46
129150-49080	13	19
129150-49100	13	18
129150-49811	12	29
	22	31
129150-59120	16	20
129150-59131	16	23
129150-59580	16	47
	17	15
129150-77511	5	9
	22	9
129150-91400	2	25
129155-11260	4	39
129155-11270	4	40
129155-49800	12	28
129155-51020	14	7
129155-51050	14	11
129155-51060	14	12
129155-51140	14	17
129155-51180	14	19
129155-51200	14	21
129155-51270	14	28
129155-51280	14	29
	15	2
	23	2
129155-51320	14	35
129155-51340	14	36
129155-51370	14	39
129155-51380	14	40
129155-51390	14	41
129155-51410	14	43
129155-51420	14	44
129155-51450	14	45
129155-51521	14	51
129155-51530	14	52
129155-51540	14	53
129155-51550	14	54
129155-51570	14	57
129155-51580	14	58
129155-51591	14	59
129155-51600	14	60
129155-51790	14	83
129155-51930	14	85
129155-51940	14	86
129155-52050	14	94
129155-61050	15	5
129155-61060	15	6
129155-61070	15	7
129155-61120	15	8

Parts No.	Fig. No.	Ref. No.
129155-61120	23	8
129155-61130	15	9
	23	9
129155-61140	15	10
	23	10
129155-61201	15	11
129155-61202	23	11
129155-61341	15	15
	23	15
129155-61350	15	16
	23	16
129155-61360	15	17
	23	17
129155-61430	15	21
	23	21
129155-61450	15	26
	23	25
129155-61460	15	27
	23	26
129155-61470	15	77
129155-61480	15	28
	23	27
129155-61490	15	33
129155-61810	15	58
129155-61830	15	59
	23	60
129155-61950	15	60
	23	62
129155-66800	18	2
129155-66811	18	3
129156-51910	14	84
129202-22300	9	23
129209-61370	23	63
129209-61930	23	85
129209-61970	23	87
129322-18100	7	49
	22	30
129335-55700	17	18
129350-49530	12	19
129350-49560	12	19 -1
129400-01520	2	5
129400-01730	3	6
129400-01770	3	8
129400-11350	4	53
129400-59810	16	25
129400-59820	16	29
129400-59830	16	33
129400-59840	16	37
129400-77011	19	1
129400-77330	20	22

Parts No.	Fig. No.	Ref. No.
129400-77400	19	2
129400-77440	19	5
129400-77460	19	7
129400-77470	19	8
129400-77480	19	9
129400-77490	19	10
129400-77510	19	11
129400-77520	19	13
129400-77530	19	14
129400-77570	19	18
129400-77640	19	19
129400-92420	22	39
129403-13120	6	4
129403-13540	6	8
129403-18080	7	51
	22	29
129403-34800	10	16
129403-39460	11	3
129403-42380	12	16
129403-44740	12	17
129403-49050	12	43
129404-18020	7	1
129404-18720	7	2
129404-18750	7	3
129404-18770	7	4
129404-18780	7	13
129404-18790	7	18
129404-18800	7	22
129404-18811	7	25
129404-18820	7	30
129404-18830	7	34
129407-35300	10	45
129407-77010	19	1 -1
129407-77210	19	35
		35 -1
129407-77220	19	36
		36 -1
129407-77250	19	39
		39 -1
129407-77280	19	52
		52 -1
129407-77300	19	54
		54 -1
129407-77310	19	56
		56 -1
129407-77330	19	58
		58 -1
129407-77390	19	43
		43 -1
129407-77410	19	42

Parts No. Index

Parts No.	Fig. No.	Ref. No.
129407-77410	19	42 -1
129408-01330	1	24
	22	2
129410-77330	20	22 -1
129411-44560	13	9
129411-44590	13	10
129412-13600	6	12
129412-51200	14	14
129418-21000	9	1
129418-32000	10	1
129436-35070	10	19 -2
129436-35090	10	19
129436-35091	10	19 -1
129470-11080	4	13
129470-11090	4	14
129470-51040	14	9
129486-61501	23	34
129486-61540	23	52
129488-12070	5	4
129488-12080	5	5
129488-12100	5	1
129488-13500	6	11
129500-61650	15	81
	23	82
129500-61700	15	78
	23	83
129503-39600	11	15
129503-53050	16	2
129506-39610	11	16
129550-11290	4	42
129550-11310	4	60
	22	8
129550-12111	5	2
	22	10
129550-13110	6	1
	22	11
129553-39650	10	31
129555-11241	4	38
129555-51400	14	42
129555-51500	14	50
129555-51700	14	79
129555-51710	14	80
129555-51750	14	81
129555-51760	14	82
129555-59510	17	41
129555-66822	18	4
129608-77010	19	1 -2
129608-77110	19	66
129688-01780	3	8 -1
129693-44310	6	7 -1

Parts No.	Fig. No.	Ref. No.
129698-77020	19	64
129698-77101	19	65
129698-77120	19	67
129698-77130	19	69
129698-77140	19	68
129698-77150	19	70
129698-77161	19	71
129698-77170	19	72
129698-77180	19	79
129698-77190	19	80
129698-77200	19	81
129698-77210	19	82
129698-77220	19	83
129698-77230	19	84
129698-77240	19	77
129698-77250	19	78
129698-77260	19	73
129698-77270	19	75
129698-77280	19	76
129792-39410	10	25
129795-01780	3	18
129795-01800	2	4
129795-01950	2	10
129795-02411	1	15
129795-11120	4	26
129795-11180	4	27
129795-21661	9	10
129795-49551	12	20
	22	18
129900-07900	4	6 -1
158552-61900	23	71
170029-67100	21	1
170038-91310	21	9
171001-93100	22	32
171008-77410	19	3
171008-77420	19	4
171008-77450	19	6
171008-77510	19	12
171008-77540	19	15
171008-77650	19	20
171008-77660	19	21
171008-77670	19	22
171008-77720	19	26
171008-77730	19	27
171008-77740	19	28
171051-01921	1	7
171061-12520	5	13
171064-12600	5	30
171080-91100	21	6
171081-55910	17	30

Parts No.	Fig. No.	Ref. No.
171301-01600	3	2
171301-01640	3	9
171301-21650	9	9
171301-77201	20	1
171301-77720	21	3
171350-03090	4	1
171351-12560	5	25
171351-12570	5	26
171351-12580	5	24
171420-21580	9	13
171420-49010	13	15
171420-49020	13	16
171460-44500	13	1
171488-61440	23	81
174307-51170	14	18
174307-51560	14	56
174307-51700	15	35
	23	35
194990-22050	7	50
22117-040000	15	62
	23	64
22137-040000	18	5
22190-060002	15	74
22190-060003	23	65
22190-080002	2	13
	11	14
	11	11
22190-100002	15	75
	23	66
22190-120002	15	76
	23	67
22190-160002	14	87
22212-100000	20	18
22217-050000	14	88
22217-060000	14	89
22217-120000	8	16
22252-000260	9	24
22272-000060	15	63
22287-120000	15	64
	23	68
22351-030010	10	32
22351-040010	9	8
22351-050010	14	90
22351-060012	4	32
22360-040000	18	6
22372-040000	15	65
	23	69
22512-070140	8	8
	9	6
23000-016000	12	36

Parts No.	Fig. No.	Ref. No.
23000-022000	12	44
23000-025000	11	17
23000-060000	5	6
23000-070000	5	7
23010-038000	13	23
23061-070230	13	7
23080-012000	7	48
23414-100000	10	40
	11	12
	22	23
23414-120000	16	56
	22	22
23414-120016	23	88
23418-060000	17	31
23871-010000	1	11
23871-030000	1	22
	4	20
	12	11
		11 -1
		26
23881-100002	10	41
23887-100002	15	66
	23	70
24101-063034	14	91
24311-000120	4	5
	22	24
24311-000160	2	15
	10	47
	17	13
	22	25
24311-000320	2	16
	4	61
	22	27
24311-240100	15	67
	17	7
		32
24314-000160	11	18
	22	26
24321-000300	12	46
24321-000650	17	10
24341-000160	14	33
24341-000240	2	27
24341-000250	3	11
24341-000500	4	62
	22	28
25132-003700	12	15
26014-060162	12	18
26014-080252	20	23
26014-080702	17	16
		33

Parts No. Index

Parts No.	Fig. No.	Ref. No.
26022-040252	20	8
26022-050102	14	34
	15	68
26022-060162	14	8
26023-050102	15	69
26106-060102	18	7
	23	72
		73
		74
26106-060142	23	75
26106-060162	2	28
	11	19
26106-060202	15	70
	23	76
26106-060252	15	71
26106-060322	19	29
26106-060402	19	30
26106-080102	11	13
26106-080122	2	17
	6	13
	18	8
26106-080142	4	7
	5	27
	6	3
26106-080162	2	18
		19
	3	12
		22
	4	63
	8	18
26106-080182	12	47
26106-080202	2	20
	6	9
		10
	12	31
26106-080252	3	13
	4	51
	10	48
	12	32
26106-080302	3	19
26106-080352	3	20
	5	3
		10
	10	23
26106-080452	2	21
	3	14
		14 -1
	8	14
26106-080502	3	24
	4	52

Parts No.	Fig. No.	Ref. No.
26106-080502	12	33
26106-080552	2	22
	10	23 -1
26106-080602	12	14
		34
26106-080652	6	5
26106-080852	2	23
	6	6
26106-081002	6	7
26108-080142	4	7 -1
26116-050302	14	5
26116-060162	12	27
26116-120252	19	86
26206-100252	3	4
26206-100302	3	5
26216-060202	4	21
26216-080222	6	2
26226-080182	4	49
26366-060002	4	33
	5	28
26366-080002	2	24
	15	83
	23	80
26366-100002	20	21
26450-060252	10	15
26687-120002	15	79
26716-060002	14	6
26716-100002	20	19
26716-120002	8	17
26736-120002	23	79
26756-060002	15	72
	23	77
26756-080002	4	50
26776-120002	15	73
	23	78
27231-500000	1	12
27241-120000	1	13
27241-220000	4	22
27241-300000	1	14
27241-400000	4	23
27310-080001	4	28
28110-100120	22	35
28110-140170	22	36
28110-190220	22	37
28210-000140	22	38
42130-502220	21	10
712102-53100	16	1
719810-01500	2	1
729402-11650	4	45
729402-14580	8	3

Parts No.	Fig. No.	Ref. No.
729402-23100	9	25
729408-11700	4	8
729408-92600	22	1
729418-01570	1	1
729503-53200	16	1 -1
729613-51410	14	1
977770-01212	2	29
	3	23
	22	40
X0280210230	19	40
		40 -1
X0283060061	19	31
		31 -1
X0283270140	19	41
		41 -1
X0289030010	19	32
		32 -1
X2114535200	19	74
X9490561370	19	33
		33 -1
X9491200240	19	34
		34 -1
X9491730461	19	55
		55 -1
XM08137	20	2
XM08138	20	3
XM08180	20	4
XM17878	20	6
XM27436	20	5
		15
XM36410	20	7
XM37336	20	14
XM72174	20	12
XM72664	20	13
XM82110	20	11
XM82184	20	10
XYSPS4008	20	9

Parts No.	Fig. No.	Ref. No.
-----------	----------	----------