

0CD10-M50300EN

記載対象機種

The following models are described in the parts catalog.

機種名 Model	作業機メーカー Manufacturer's name	搭載商品名 Product equipped with the Model	備考 Note
3TNE74-DW	デンヨー(株) Denyo Co.,Ltd	PCX-70SS	溶接機

Contents

OCD10-M50300

Fig. No. Fig. Name

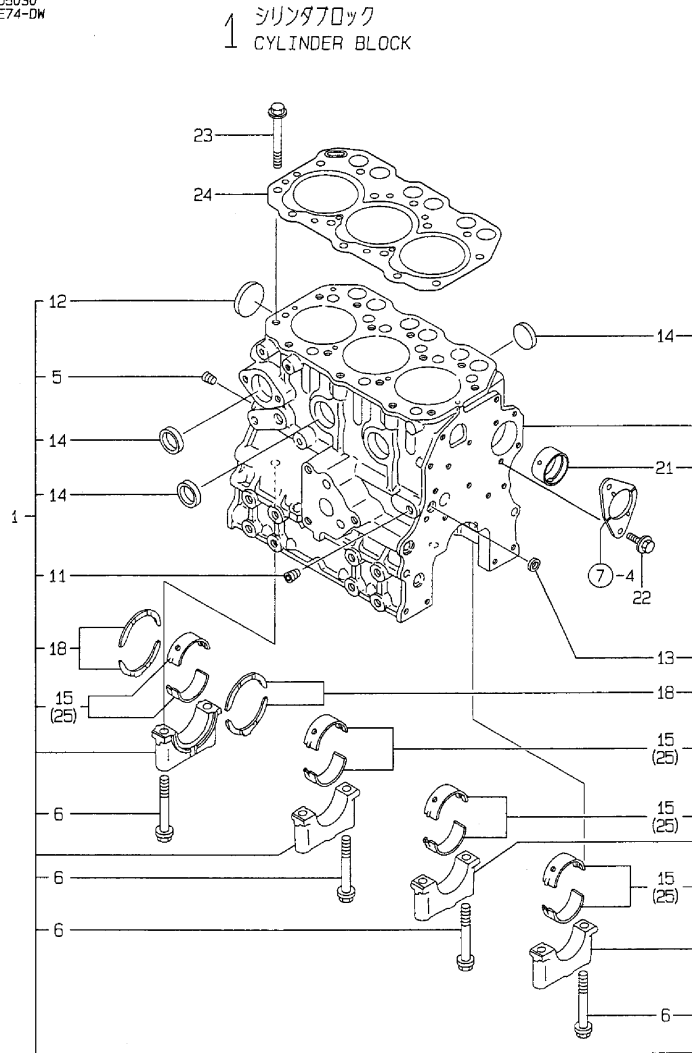
3TNE74-DW

1. CYLINDER BLOCK
2. GEAR HOUSING
3. FLYWHEEL HOUSING & OIL SUMP
4. CYLINDER HEAD & BONNET
5. SUCTION MANIFOLD & AIR CLEANER
6. EXHAUST MANIFOLD
7. CAMSHAFT & DRIVING GEAR
8. CRANKSHAFT & PISTON
9. LUB OIL SYSTEM
10. COOLING WATER SYSTEM
11. FUEL INJECTION PUMP
12. GOVERNOR
13. FUEL INJECTION VALVE
14. FUEL INJECTION DEVICE
15. STARTING MOTOR
16. GENERATOR
17. ELECTRIC PARTS
18. GASKET SET

Fig. No. Fig. Name

Fig.1. CYLINDER BLOCK

Y9005030
3TNE74-DW



(A)=3TNE74-DW
(B)=
(C)=

(D)=
(E)=
(F)=

No.	Lev.	Parts No.	Description	Q'ty						I	R
				(A)	(B)	(C)	(D)	(E)	(F)		
1	1	719623-01560	BLOCK ASSY, CYLINDER	1							
5	2	119600-01050	PLUG, PT1/4	1							
6	2	119620-02020	BOLT, METAL CAP	8							
11	2	23871-010000	PLUG, R01	1							
12	2	27231-450000	PLUG 45	1							
13	2	27241-120000	PLUG, 12	1							
14	2	27241-300000	PLUG 30	6							
15	2	719620-02800	BEARING, MAIN	4							
18	2	719620-02930	BEARING, THRUST	2							
21	2	119620-02410	BUSH, CAMSHAFT	1							
22	1	26106-060122	BOLT, M6X 12 PLATED	2							
23	1	119620-01200	BOLT, HEAD	14							
24	1	119623-01330	GASKET, HEAD	1							G
25	1	719620-02870	BEARING, 0.25 US	4							1

Remarks

- (1) UNDER-SIZE (U.S.=0.25) PART.
- (G) THESE PARTS ARE SOLD BY FIG.18, REF.NO.1.

Fig.2. GEAR HOUSING

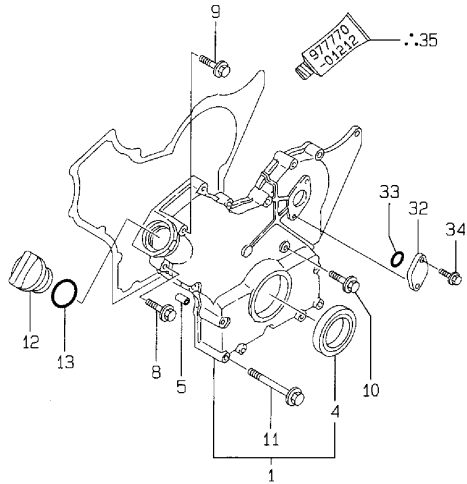
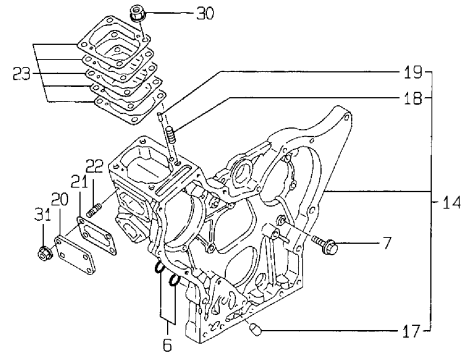
(A)=3TNE74-DW
(B)=
(C)=

(D)=
(E)=
(F)=

Y00D5030
3TNE74-DW

ギヤケース
GEAR HOUSING

発行No. 000Y00D5030-1
更新年月: 1996. 6
REVISED: Jun. 1996



印が今回変更 (追記) した箇所です。
MARKED PART HAS BEEN CHANGED (ADDED)

No.	Lev.	Parts No.	Description	Q'ty						I	R
				(A)	(B)	(C)	(D)	(E)	(F)		
1	1	119610-01590	COVER ASSY, GEAR CASE	1							
4	2	119620-01800	SEAL, OIL	1							
5	1	119660-01911	PIPE, KNOCK	4							
6	1	24311-000120	O-RING, 1AP12.0	2							G
7	1	26106-060162	BOLT, M6X 16 PLATED	7							
8	1	26106-060302	BOLT, M6X 30 PLATED	8							
9	1	26106-060602	BOLT, M6X 60 PLATED	1							
10	1	26106-060602	BOLT, M6X 60 PLATED	3							
11	1	26106-060802	BOLT, M6X 80 PLATED	6							
12	1	124160-01751	COVER, FILLER	1							
13	1	24311-000320	O-RING, 1AP32.0	1							G
14	1	119610-01490	CASE ASSY, GEAR	1							
17	2	119660-01510	PLUG, 10X14	1							
18	2	121450-01560	STUD, M8X22	4							
19	2	22351-040010	PIN, SPRING 4.0X10	2							
20	1	119660-01551	COVER	1							
21	1	119660-01562	GASKET	1							G
22	1	119660-01570	STUD, M6X12	4							
23	1	119623-01950	SHIM SET, ADJUSTING	1							
30	1	194990-22050	NUT, M8	4							
31	1	26366-060002	NUT, M6	4							
32	1	121023-01550	COVER	1							
33	1	24341-000240	O-RING, 1AS24.0	1							G
34	1	26106-060182	BOLT, M6X 18 PLATED	2							
35	1	977770-01212	GASKET, LIQUID	1							W 1

(A=FROM 1ST)

Remarks

(G) THESE PARTS ARE SOLD BY FIG.18,
REF.NO.1.

(1) OPTIONAL PART.

N:Old $\begin{matrix} \leftarrow \text{Yes} \\ \text{No} \end{matrix}$ New, Q:Old $\begin{matrix} \leftarrow \text{No} \\ \text{Yes} \end{matrix}$ New, R:Old $\begin{matrix} \leftarrow \text{Yes} \\ \text{Yes} \end{matrix}$ New, S:Old $\begin{matrix} \leftarrow \text{No} \\ \text{No} \end{matrix}$ New, W:Add, Z:Discontinued, F:Interchangeable by set, K:Q'ty Change

Fig.3. FLYWHEEL HOUSING & OIL SUMP

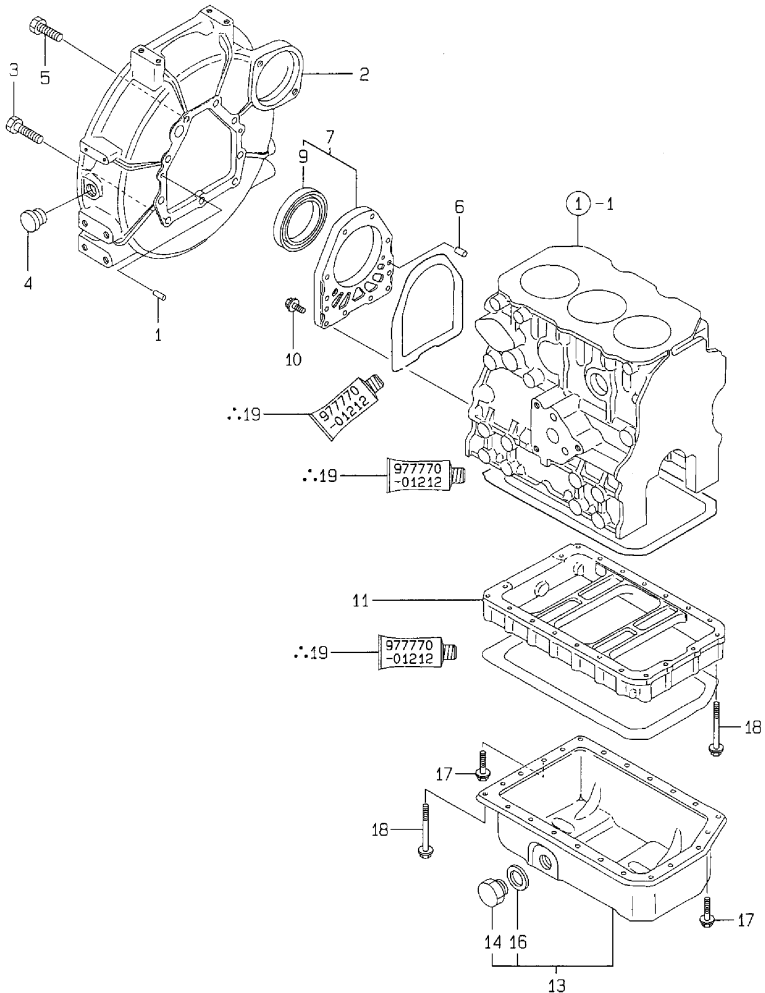
(A)=3TNE74-DW
(B)=
(C)=

(D)=
(E)=
(F)=

Y00D5030
3TNE74-DW

3 フライホイールハウジング & オイルパン
FLYWHEEL HOUSING & OIL SUMP

発行No. 00DY000630-1
更新年月 : 1996. 6
REVISED : Jun., 1996



..印が今回変更 (追加) した箇所です。
..MARKED PART HAS BEEN CHANGED (ADDED).

No.	Lev.	Parts No.	Description	Q'ty						I	R
				(A)	(B)	(C)	(D)	(E)	(F)		
1	1	129100-01580	PIN, M8X16	2							
2	1	119600-01600	HOUSING, FLYWHEEL	1							
3	1	121120-01620	BOLT, M10X28	3							
4	1	119620-01750	CAP	1							
5	1	26206-100252	BOLT, M10X 25 PLATED	6							
6	1	119620-01620	PIN, M6X10	2							
7	1	119660-01640	CASE ASSY, OIL SEAL	1							
9	2	124085-02220	SEAL, OIL	1							
10	1	26106-060222	BOLT, M6X 22 PLATED	10							
11	1	119600-01722	SPACER, OIL SUMP	1							
13	1	119623-01770	SUMP ASSY, OIL	1							
14	2	119640-01640	PLUG, DRAIN M22	1							
16	2	22190-220002	WASHER, SEAL 22	1							G
17	1	26106-060122	BOLT, M6X 12 PLATED	3							
18	1	26106-060452	BOLT, M6X 45 PLATED	20							
19	1	977770-01212	GASKET, LIQUID	1							W 1

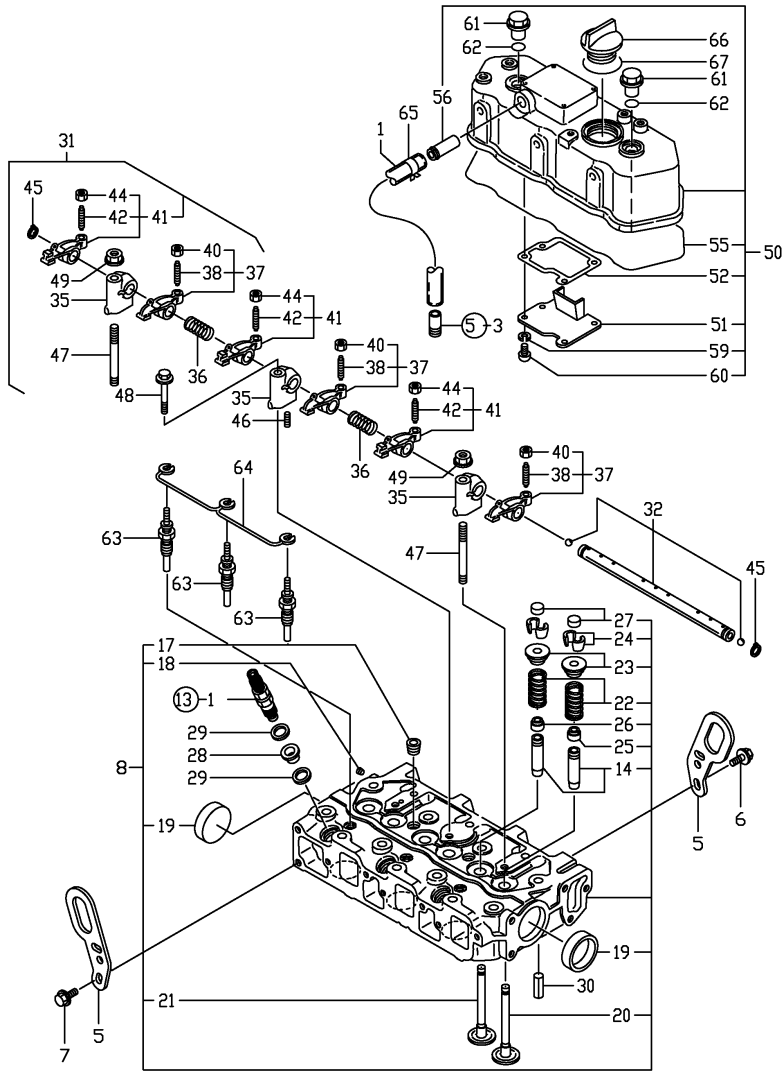
(A=FROM 1ST)

Remarks
(G) THESE PARTS ARE SOLD BY FIG.18,
REF.NO.1.
(1) OPTIONAL PART.

Fig.4. CYLINDER HEAD & BONNET

Y00D5030
3TNE74-DW

4 シリンダヘッド @ ボンネット
CYLINDER HEAD @ BONNET



(A)=3TNE74-DW

(B)=

(C)=

(D)=

(E)=

(F)=

No.	Lev.	Parts No.	Description	Q'ty						I	R
				(A)	(B)	(C)	(D)	(E)	(F)		
1	1	119642-03140	PIPE , BREATHER	1							
5	1	119260-07900	LIFTER	2							
6	1	26106-080142	BOLT, M8X 14 PLATED	1							
7	1	26106-080142	BOLT, M8X 14 PLATED	2							
8	1	719623-11710	HEAD ASSY, CYLINDER	1							
14	2	119620-11801	GUIDE, VALVE	6							1
17	2	121850-11860	PLUG, PT1/4	2							
18	2	27221-050080	PLUG, 5X 8	1							
19	2	27241-400000	PLUG, 40	2							
20	2	119623-11100	VALVE, INTAKE	3							
21	2	119620-11110	VALVE, EXHAUST	3							
22	2	119620-11120	SPRING, VALVE	6							
23	2	119620-11180	RETAINER, SPRING	6							
24	2	27310-070001	COTTER, 7	6							
25	2	124160-11340	SEAL, VALVE STEM	3							G
26	2	124950-11340	SEAL, VALVE STEM	3							G
27	2	104211-11370	CAP, VALVE	6							
28	1	119600-11450	PROTECTOR, NOZZLE	3							G
29	1	119600-11460	GASKET, NOZZLE	6							G
30	1	22351-060012	PIN, SPRING 6.0X12	2							
31	1	119620-11200	SUPPORT ASSY, ARM	1							
32	2	119620-11240	SHAFT ASSY, ROCKER	1							
35	2	119620-11260	SUPPORT, ROCKER ARM	3							
36	2	119620-11280	SPRING	2							
37	2	719620-11650	ARM ASSY, ROCKER	3							
38	3	105010-11230	SCREW, VALVE ADJUST	3							
40	3	26756-060002	NUT, LOCK M6	3							
41	2	719620-11660	ARM ASSY, ROCKER	3							
42	3	105010-11230	SCREW, VALVE ADJUST	3							
44	3	26756-060002	NUT, LOCK M6	3							
45	2	22242-000120	RING, 12	2							
46	2	26979-050162	SCREW, M5X16	1							
47	1	119620-11350	STUD	2							
48	1	26106-080452	BOLT, M8X 45 PLATED	1							
49	1	26366-080002	NUT, M8	2							
50	1	119620-11330	BONNET ASSY, HEAD	1							
51	2	119620-03020	PLATE, SHELTER	1							
52	2	119620-03031	GASKET	1							
55	2	119620-11310	GASKET, BONNET	1							G
56	2	119620-11390	JOINT	1							
59	2	22217-050000	WASHER, SPRING 5	4							
60	2	26557-050102	SCREW, M5X10	4							
61	1	124160-11360	KNOB	2							
62	1	24311-000120	O-RING, 1AP12.0	2							G
63	1	129795-77800	PLUG, GLOW	3							
64	1	119620-77820	CONNECTOR, GLOW PLUG	1							
65	1	171008-03990	CLIP, HOSE 18.5	2							
66	1	124160-01751	COVER, FILLER	1							
67	1	24311-000320	O-RING, 1AP32.0	1							

Remarks

(1) REPAIR PART.

(G) THESE PARTS ARE SOLD BY FIG.18,

REF.NO.1.

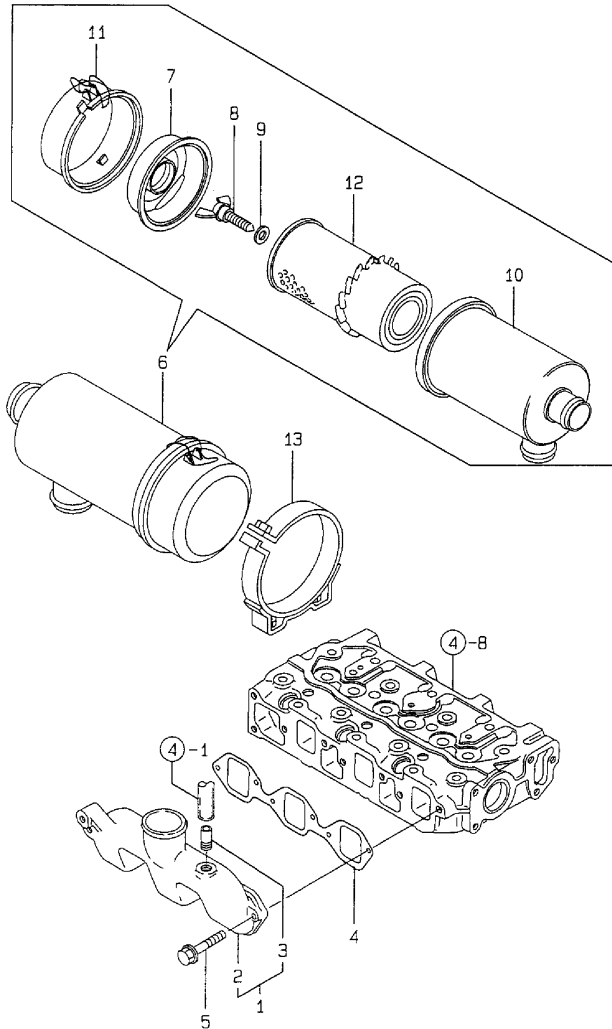
Fig.5. SUCTION MANIFOLD & AIR CLEANER

(A)=3TNE74-DW
(B)=
(C)=

(D)=
(E)=
(F)=

Y00D5030
3TNE74-DW

5 キュウキマニホールド & エアクリーナ
SUCTION MANIFOLD & AIR CLEANER



No.	Lev.	Parts No.	Description	Q'ty						I	R
				(A)	(B)	(C)	(D)	(E)	(F)		
1	1	119642-12100	MANIFOLD ASSY,INTAKE	1							
2	2	119642-12110	MANIFOLD, AIR INTAKE	1							
3	2	104207-44480	JOINT	1							
4	1	119620-12111	GASKET, MANIFOLD	1							G
5	1	26106-060202	BOLT, M6X 20 PLATED	6							
6	1	129350-12500	CLEANER ASSY, AIR	1							
7	2	121120-12541	RETAINER, ELEMENT	1							
8	2	121120-12561	BOLT	1							
9	2	121120-12571	WASHER, SEAL	1							
10	2	129350-12650	CASE ASSY, CLEANER	1							
11	2	129350-12660	PAN ASSY, DUST	1							
12	2	129350-12900	ELEMENT	1							
13	1	170903-12560	BAND, AIR CLEANER	1							

Remarks
(G)THESE PARTS ARE SOLD BY FIG.18,
REF.NO.1.

Fig.6. EXHAUST MANIFOLD

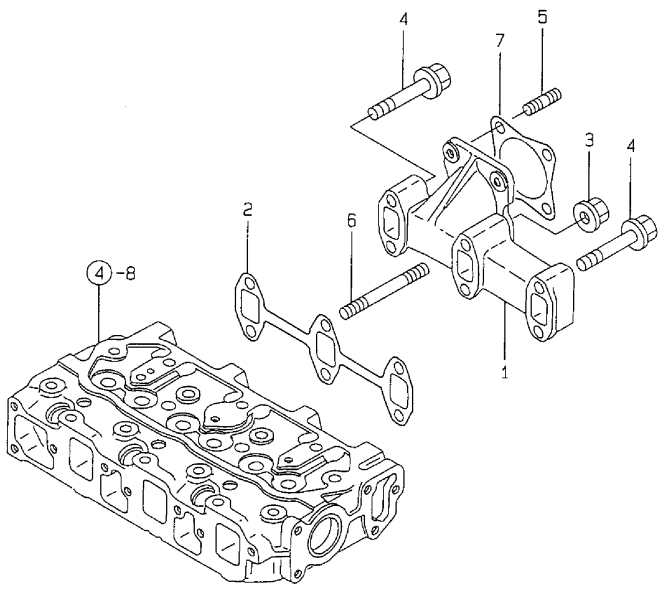
Y00D5030
3TNE74-DW

6 ハイキマニホールド
EXHAUST MANIFOLD

(A)=3TNE74-DW
(B)=
(C)=

(D)=
(E)=
(F)=

No.	Lev.	Parts No.	Description	Q'ty						I	R
				(A)	(B)	(C)	(D)	(E)	(F)		
1	1	119600-13100	MANIFOLD, EXHAUST	1							
2	1	119620-13110	GASKET	1							G
3	1	194990-22050	NUT, M8	2							
4	1	26106-080402	BOLT, M8X 40 PLATED	4							
5	1	26216-080222	STUD, M8X 22	4							
6	1	26216-080552	STUD, M8X 55	2							
7	1	121000-13201	GASKET, SILENCER	1							G



Remarks
(G)THESE PARTS ARE SOLD BY FIG.18,
REF.NO.1.

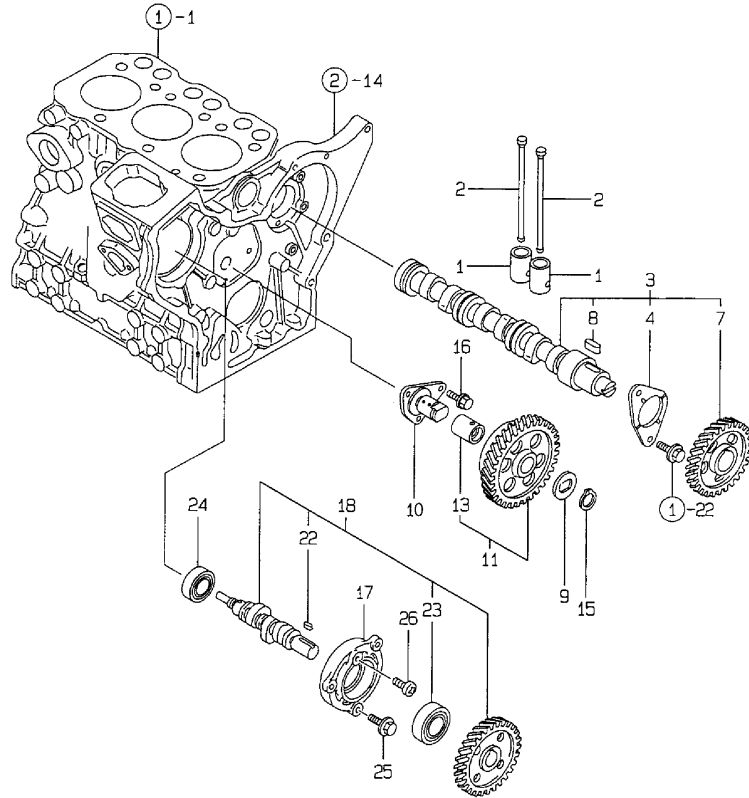
Fig.7. CAMSHAFT & DRIVING GEAR

(A)=3TNE74-DW
(B)=
(C)=

(D)=
(E)=
(F)=

Y00D5030
3TNE74-DW

7 カムシャフト & クドウギヤ
CAMSHAFT & DRIVING GEAR



No.	Lev.	Parts No.	Description	Q'ty						I	R
				(A)	(B)	(C)	(D)	(E)	(F)		
1	1	119620-14200	TAPPET	6							
2	1	119620-14401	ROD, PUSH	6							
3	1	119629-14580	CAMSHAFT ASSY	1							
4	2	119620-02450	BEARING, THRUST	1							
7	2	119620-14100	GEAR, CAMSHAFT	1							
8	2	22512-040120	KEY, 4X 12	1							
9	1	119660-25022	RETAINER	1							
10	1	119660-25052	SHAFT, IDLE	1							
11	1	119620-25102	GEAR ASSY, IDLE	1							
13	2	119620-25912	BUSH	1							1
15	1	22242-000200	RING, 20	1							
16	1	26106-060122	BOLT, M6X 12 PLATED	3							
17	1	119660-01821	BEARING, FUEL CAM	1							
18	1	719660-14590	CAMSHAFT	1							
22	2	22512-040120	KEY, 4X 12	1							
23	2	24102-063034	BEARING, BALL 6303U	1							
24	1	24101-062034	BEARING, BALL 6203	1							
25	1	26106-060162	BOLT, M6X 16 PLATED	3							
26	1	26587-080102	SCREW, M8X10	1							

Remarks
(1) REPAIR PART.

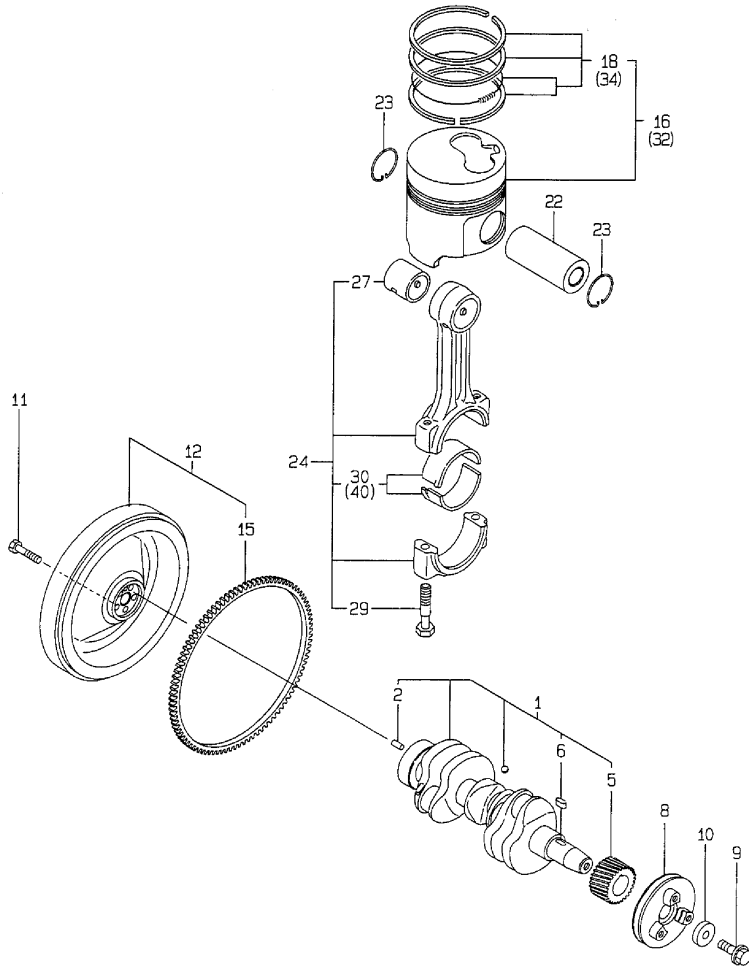
Fig.8. CRANKSHAFT & PISTON

(A)=3TNE74-DW
(B)=
(C)=

(D)=
(E)=
(F)=

Y00D5030
3TNE74-DW

クランクシャフト & ピストン
CRANKSHAFT & PISTON



No.	Lev.	Parts No.	Description	Q'ty						I	R
				(A)	(B)	(C)	(D)	(E)	(F)		
1	1	119623-21700	CRANKSHAFT ASSY	1							
2	2	129100-01580	PIN, M8X16	1							
5	2	119644-21200	GEAR, CRANKSHAFT	1							
6	2	22512-040120	KEY, 4X 12	1							
8	1	119649-21650	V-PULLEY	1							
9	1	119621-21680	BOLT, FLANGE 12X1.25	1							
10	1	119620-21941	WASHER	1							
11	1	121111-21501	BOLT, FLYWHEEL	5							
12	1	119643-21590	FLYWHEEL ASSY	1							
15	2	129865-21600	GEAR, RING	1							M
15-1	2	119865-21600	GEAR, RING	1							
16	1	119623-22080	PISTON ASSY	3							
18	2	119623-22500	RING SET, PISTON	3							
22	1	114350-22301	PIN, PISTON D=21	3							
23	1	22252-000210	RING, 21	6							
24	1	719620-23100	ROD ASSY, CONNECTING	3							
27	2	119620-23910	BEARING, PISTON PIN	3							1
29	2	105225-23200	BOLT, CONNECTING ROD	6							
30	2	719620-23600	BEARING, CRANK PIN	3							
32	1	119623-22900	PISTON ASSY, 0.25 OS	3							2
34	2	119623-22950	RING SET, 0.25 OS	3							2
40	1	719620-23610	BEARING ASSY, 0.25	3							3

Remarks

- (1) REPAIR PART.
- (2) OVER-SIZE(O.S=0.25)PART.
- (3) UNDER-SIZE(U.S=0.25)PART.
- (M) MISPRINT.

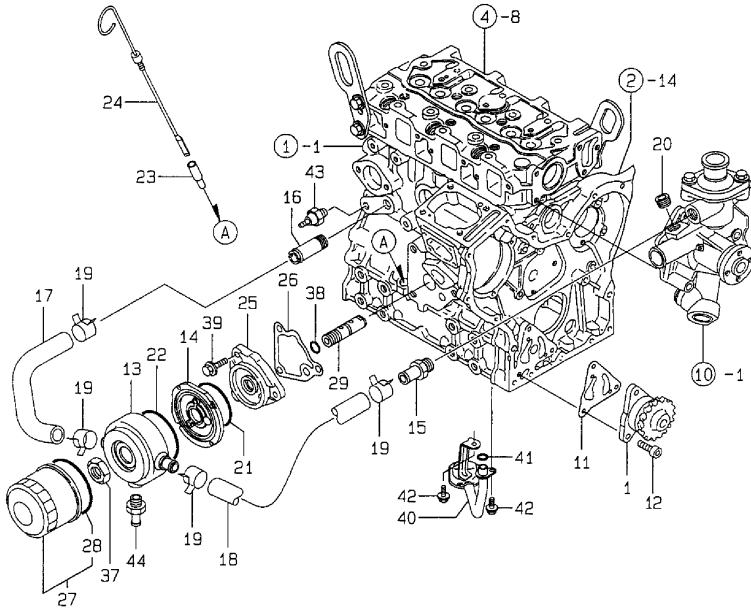
Fig.9. LUB OIL SYSTEM

(A)=3TNE74-DW
(B)=
(C)=

(D)=
(E)=
(F)=

Y00D5030
3TNE74-DW

9 LOシステム
LUB.OIL SYSTEM



No.	Lev.	Parts No.	Description	Q'ty						I	R
				(A)	(B)	(C)	(D)	(E)	(F)		
1	1	119660-32001	PUMP ASSY, OIL	1							
11	1	119660-32020	GASKET, PUMP	1							G
12	1	26450-060202	BOLT, M6X 20	3							
13	1	119642-33030	COOLER, OIL	1							
14	1	119642-33100	BRACKET, COOLER	1							
15	1	119265-44400	JOINT, PIPE	1							
16	1	129122-44480	JOINT	1							
17	1	119642-49030	PIPE, WATER	1							
18	1	129403-49050	PIPE, WATER	1							
19	1	23000-022000	CLAMP, 22	4							
20	1	23871-030000	PLUG, R03	1							
21	1	24321-000600	O-RING, 1AG60.0	1							
22	1	24321-000700	O-RING, 1AG70.0	1							
23	1	121520-34810	GUIDE, DIPSTICK	1							
24	1	119623-34830	DIPSTICK, OIL	1							
25	1	119660-35102	BRACKET, FILTER	1							
26	1	119660-35113	GASKET	1							G
27	1	119660-35150	FILTER, LUB. OIL	1							
27-1	1	119305-35151	FILTER ASSY, D68XL65	1							N 1
		(A=EXXXXX)									
28	2	124450-35110	O-RING	1							Z
		(A=EXXXXX)									
29	1	129120-35301	VALVE ASSY,OIL PRESS	1							
37	1	129150-35350	NUT	1							
38	1	24311-000160	O-RING, 1AP16.0	1							
39	1	26106-080202	BOLT, M8X 20 PLATED	3							
40	1	119623-35090	PIPE ASSY, OIL INLET	1							
41	1	24311-000120	O-RING, 1AP12.0	1							
42	1	26106-060102	BOLT, M6X 10 PLATED	2							
43	1	124160-39450	SWITCH, 0.5KG	1							
44	1	121550-49111	JOINT, PT1/4	1							

Remarks

(G)These parts are sold by Fig18,

Ref.No.1.

(1)O-ring is integrated type.

(integrated to the LO.filter)

Fig.10. COOLING WATER SYSTEM

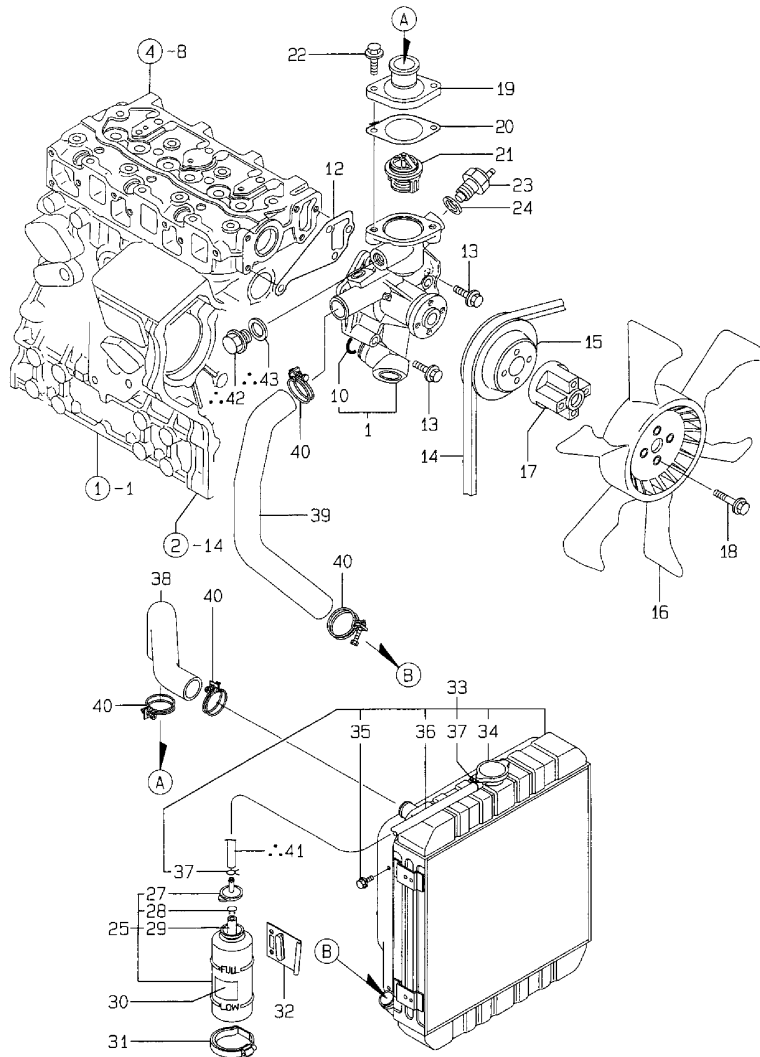
(A)=3TNE74-DW
(B)=
(C)=

(D)=
(E)=
(F)=

Y00D5030
3TNE74-DW

10 CWシステム
COOLING WATER SYSTEM

発行No. 000Y00D5030-1
更新年月 : 1998. 6
REVISED : Jun., 1998



印が今回変更 (追記) した箇所です。
MARKED PART HAS BEEN CHANGED (ADDED).

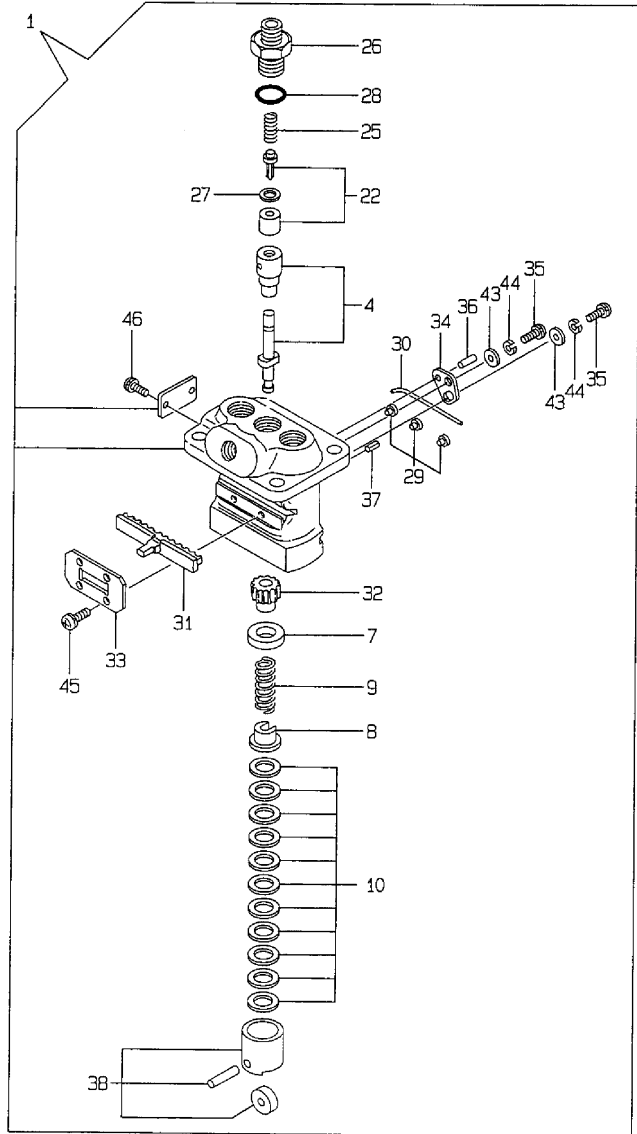
No.	Lev.	Parts No.	Description	Q'ty						I	R
				(A)	(B)	(C)	(D)	(E)	(F)		
1	1	119642-42000	PUMP ASSY, WATER	1							
10	2	119620-42320	O-RING	1							
12	1	119620-42020	GASKET, WATER PUMP	1							G
13	1	26106-080452	BOLT, M8X 45 PLATED	4							
14	1	119640-42290	V-BELT, FM36.5	1							
15	1	119656-42350	V-PULLEY	1							
16	1	129114-44740	FAN, COOLING D325XY	1							
17	1	119256-44760	SPACER, FAN	1							
18	1	26106-060602	BOLT, M6X 60 PLATED	4							
19	1	129350-49530	COVER, THERMOSTAT	1							
20	1	129350-49541	GASKET	1							G
21	1	129350-49800	THERMOSTAT, 71	1							
22	1	26106-080202	BOLT, M8X 20 PLATED	2							
23	1	121250-44901	SWITCH, 110	1							
24	1	124465-44950	GASKET, 16	1							G
25	1	124450-44510	TANK ASSY, SUB	1							
27	2	124450-44530	CAP	1							
28	2	124450-44560	RETAINER	1							
29	2	23061-070230	PIPE, 7X 230	1							
30	1	121470-44540	LABEL, SUB-TANK	1							
31	1	124450-44550	BAND	1							
32	1	121256-44600	BRACKET, SUB TANK	1							
33	1	119687-44500	RADIATOR ASSY	1							
33-1	1	119687-44501	RADIATOR ASSY	1							N
(A=E13921)											
34	2	119259-44570	CAP, RADIATOR	1							
35	2	26014-060122	BOLT, M6X 12	4							
36	2	119867-44550	HOSE, RUBBER	1							Z
(A=E13921)											
37	2	121250-44590	CLAMP	2							
38	1	129450-49010	PIPE, WATER	1							
39	1	129450-49020	PIPE, WATER	1							
40	1	23010-038000	CLAMP, 38	4							
41	1	121522-59090	PIPE, FUEL D12X900	1							W
(A=E13921)											
42	1	121450-42450	PLUG, M16	1							W
(A=FROM 1ST)											
43	1	124465-44950	GASKET, 16	1							W
(A=FROM 1ST)											

Remarks
(G)THESE PARTS ARE SOLD BY FIG.18,
REF.NO.1.

Fig.11. FUEL INJECTION PUMP

Y00D5030
3TNE74-DW

1 1 F07フンシャポンプ
FUEL INJECTION PUMP



(A)=3TNE74-DW
(B)=
(C)=

(D)=
(E)=
(F)=

No.	Lev.	Parts No.	Description	Qty						I	R
				(A)	(B)	(C)	(D)	(E)	(F)		
1	1	719621-51100	PUMP ASSY, INJECTION	1							
4	2	119620-51101	PLUNGER ASSY	3							
7	2	119620-51170	RETAINER, SPRING A	3							
8	2	119620-51180	RETAINER, SPRING B	3							
9	2	119620-51190	SPRING, PLUNGER	3							
10	2	119620-51250	SHIM SET	3							
22	2	119620-51300	VALVE ASSY, DELIVERY	3							
25	2	105546-51330	SPRING, DELIVERY	3							
26	2	119620-51340	HOLDER, DELIVERY	3							
27	2	119620-51350	GASKET	3							
28	2	119620-51370	O-RING	3							
29	2	119620-51450	PIECE	3							
30	2	119620-51461	PIN	1							
31	2	119660-51500	RACK, CONTROL	1							
32	2	119620-51510	PINION	3							
33	2	119660-51530	RETAINER, RACK	1							
34	2	119620-51650	PLATE	2							
35	2	119620-51660	SCREW	2							
36	2	119620-51670	PIN	2							
37	2	119620-51680	PIN	1							
38	2	119620-51700	TAPPET ASSY	3							
43	2	22137-040000	WASHER, 4	2							
44	2	22217-040000	WASHER, SPRING 4	2							
45	2	26022-040082	SCREW, M4X 8	4							
46	2	26587-040102	SCREW, M4X10	2							

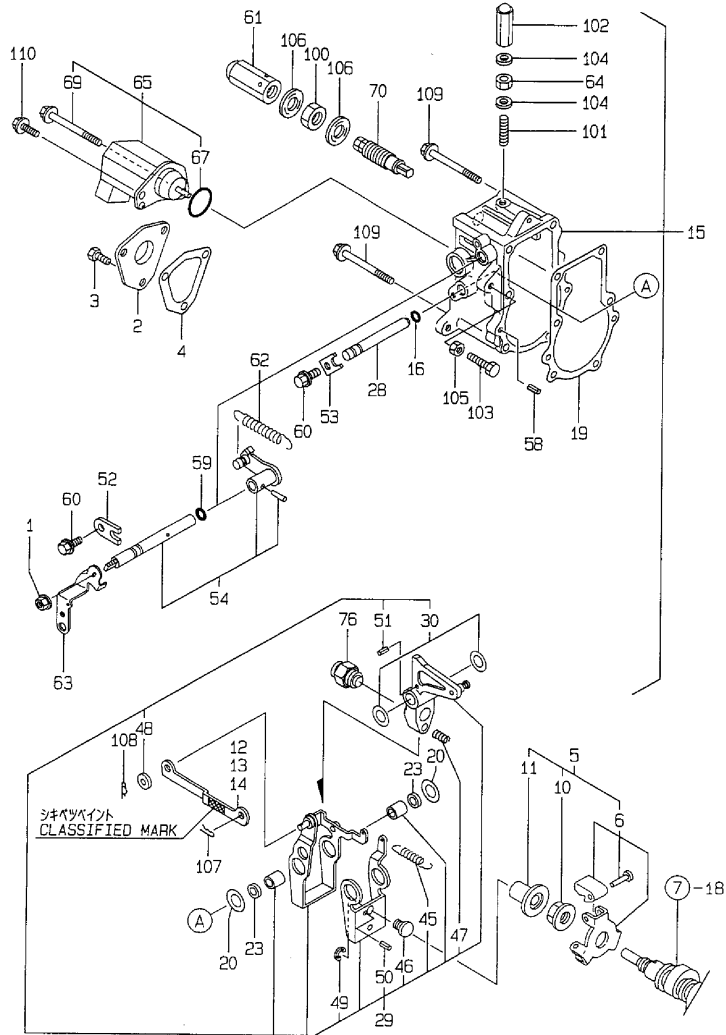
Fig.12. GOVERNOR

(A)=3TNE74-DW
(B)=
(C)=

(D)=
(E)=
(F)=

Y00D5030
3TNE74-DW

12 ガバナ
GOVERNOR



No.	Lev.	Parts No.	Description	Q'ty						I	R
				(A)	(B)	(C)	(D)	(E)	(F)		
1	1	194990-22050	NUT, M8	1							
2	1	119660-61060	COVER, GOVERNOR CASE	1							
3	1	26116-050202	BOLT, M5X 20 PLATED	3							
4	1	119660-61071	GASKET	1							
5	1	119600-61100	DRIVE ASSY	1							
6	2	119600-61200	WEIGHT ASSY, GOVERNOR	1							
10	2	119660-61300	NUT	1							
11	2	119660-61341	SLEEVE	1							
12	1	119660-61121	LINK, NO MARK	1							1
13	1	119660-61140	LINK, MARK :2	1							1
14	1	119660-61150	LINK, MARK :3	1							1
15	1	119288-61200	CASE ASSY, GOVERNOR	1							
16	2	129155-51280	O-RING, S6	1							
19	2	119660-61052	GASKET	1							
20	2	119660-61460	SHIM SET	1							
23	2	129155-61480	SPACER ASSY	2							
28	2	119660-61491	SHAFT	1							
29	2	119288-61510	LEVER ASSY, GOVERNOR	1							
30	3	174307-51700	SHIM SET	2							
45	3	119232-61540	SPRING	1							
46	3	119600-61540	SHIFTER	1							
46-1	3	119600-61541	SHIFTER	1							N
(A=E13921)											
47	3	119600-61650	SPRING, STARTING	1							
48	3	22117-040000	WASHER, 4	1							
49	3	22272-000040	RING, E- 4	1							
50	3	22351-020004	PIN, SPRING 2.0X 4	1							Z
(A=E13921)											
51	3	22351-030014	PIN, SPRING 3.0X14	1							
52	2	119600-61900	RETAINER, SHAFT	1							
53	2	119660-61901	RETAINER, SHAFT	1							
54	2	119285-66080	SHAFT ASSY	1							
58	2	22351-040010	PIN, SPRING 4.0X10	2							
59	2	24341-000070	O-RING, 1AS7.0	1							
60	2	26106-060102	BOLT, M6X 10 PLATED	2							
61	1	129100-61930	NUT, CAP	1							
62	1	119600-66020	SPRING, REGULATOR	1							
63	1	119621-66051	LEVER, REGULATOR	1							
64	1	124550-66370	NUT, M6	1							
65	1	119285-66500	STOPPER ASSY	1							
67	2	24341-000280	O-RING, 1AS28.0	1							
69	2	26106-060952	BOLT, M6X 95 PLATED	1							
70	1	119600-66530	LIMITER ASSY, FUEL	1							
76	1	119260-66720	ANGLEICH ASSY	1							
100	1	26776-120002	NUT, LOCK M12	1							
101	1	121575-66830	SCREW	1							
102	1	119600-66840	NUT, CAP	1							
103	1	26116-060304	BOLT, M6X 30 PLATED	1							
104	1	22190-060003	WASHER 6, SEAL	2							
105	1	26756-060002	NUT, LOCK M6	1							
106	1	22190-120002	WASHER, SEAL 12	2							

Remarks

(1) SELECTIVE PARTS : CERTAIN THE CLASSIFICATION MARK, THEN PLACE YOUR ORDER.(REF. TO ILLUSTRATION)

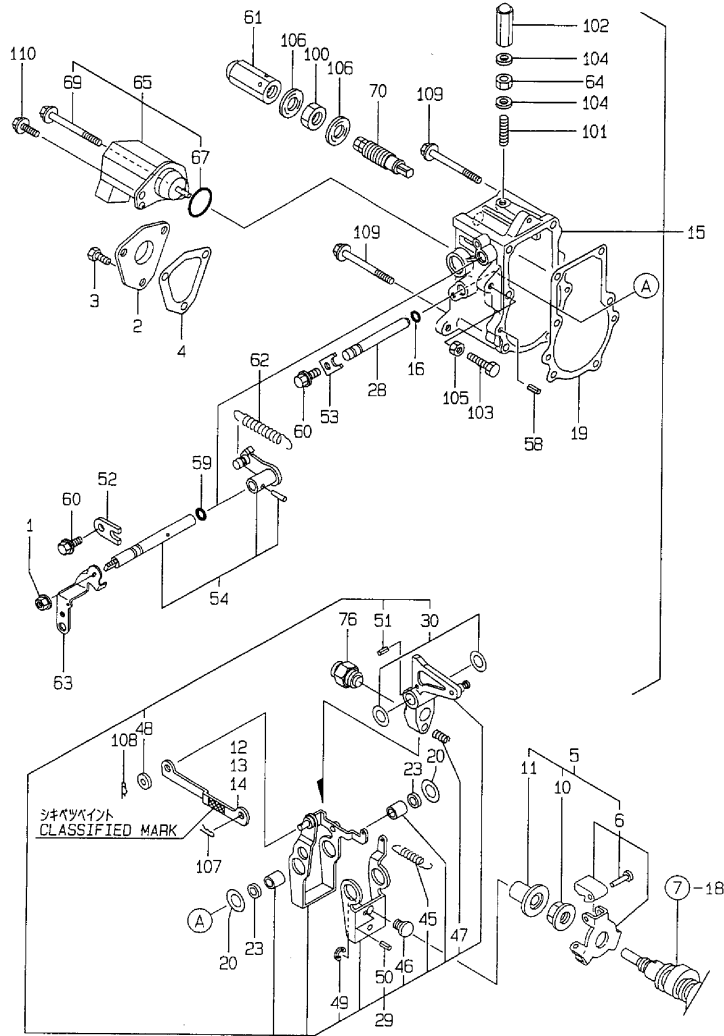
Fig.12. GOVERNOR

(A)=3TNE74-DW
(B)=
(C)=

(D)=
(E)=
(F)=

Y00D5030
3TNE74-DW

12 ガバナー
GOVERNOR



No.	Lev.	Parts No.	Description	Q'ty						I	R
				(A)	(B)	(C)	(D)	(E)	(F)		
107	1	22360-040000	PIN, SNAP 4	1							
108	1	22360-060000	PIN, SNAP 6	1							
109	1	26106-060702	BOLT, M6X 70 PLATED	5							
110	1	121465-59950	BOLT, M6X16	1							

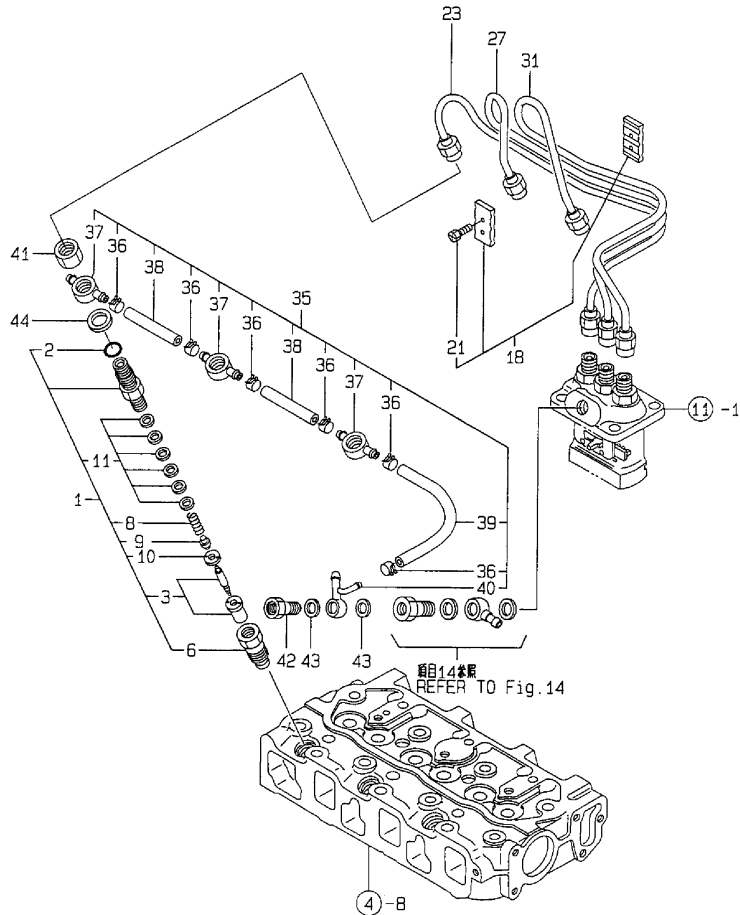
Remarks

(1) SELECTIVE PARTS : CERTAIN THE CLASSIFICATION MARK, THEN PLACE YOUR ORDER.(REF. TO ILLUSTRATION)

Fig.13. FUEL INJECTION VALVE

Y00D5030
3TNE74-DW

13 F07ンシャペン
FUEL INJECTION VALVE



(A)=3TNE74-DW
(B)=
(C)=

(D)=
(E)=
(F)=

No.	Lev.	Parts No.	Description	Q'ty						I	R
				(A)	(B)	(C)	(D)	(E)	(F)		
1	1	719255-53100	VALVE ASSY,INJECTION	3							
2	2	129155-51580	O-RING	3							G
2-1	2	129155-61830	O-RING, S10	3							R G
(A=E12832)											
3	2	119620-53000	VALVE ASSY,INJECTION	3							
6	2	119620-53080	NUT, NOZZLE	3							
8	2	119620-53120	SPRING, NOZZLE	3							
9	2	114250-53130	SEAT, SPRING	3							
10	2	119620-53140	SPACER, VALVE STOP	3							
11	2	114250-53400	SHIM SET	3							
18	1	129150-59120	RETAINER, PIPE	1							
21	2	129150-59131	BOLT, M4X14	2							
23	1	119620-59811	PIPE ASSY, INJECTION	1							
27	1	119620-59821	PIPE ASSY, INJECTION	1							
31	1	119620-59831	PIPE ASSY, INJECTION	1							
35	1	119643-59540	PIPE ASSY, RETURN	1							
36	2	124066-59100	CLIP, HOSE 8	6							
37	2	119260-59530	JOINT	3							
38	2	105025-59550	PIPE, FUEL RETURN	2							
39	2	119642-59550	PIPE, FUEL RETURN	1							
40	2	119643-59570	JOINT, OVER FLOW	1							
41	1	119620-59700	NUT, NOZZLE	3							
42	1	124550-59820	BOLT, PIPE JOINT M8	1							
43	1	23414-080012	GASKET, 8X1.0	2							
44	1	23414-140000	GASKET, 14X1.0	3							G

Remarks
(G) THESE PARTS ARE SOLD BY FIG.18,
REF.NO.1.

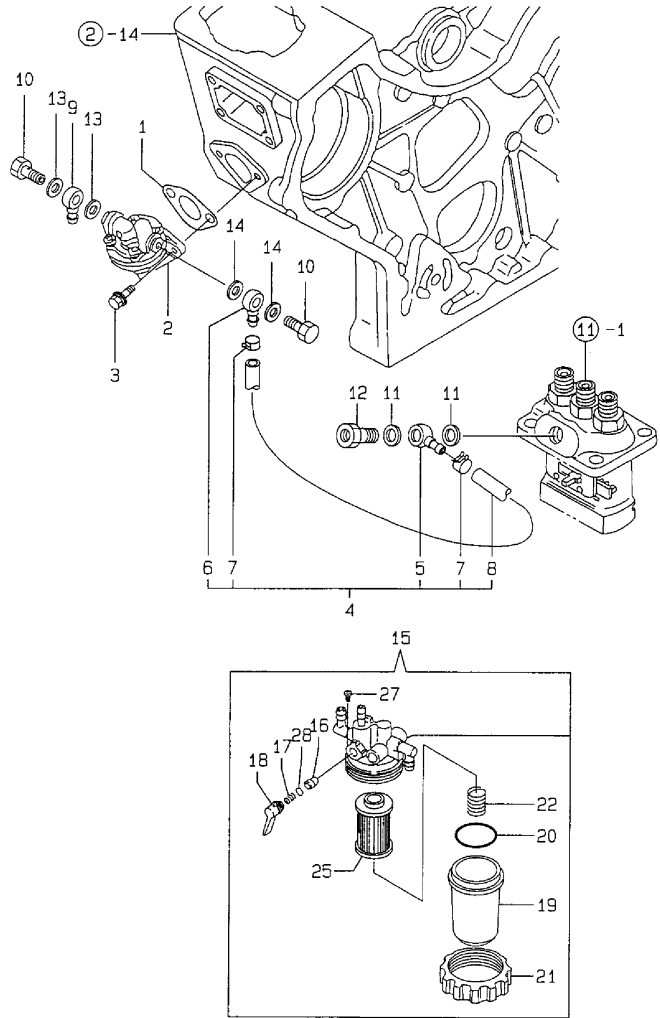
Fig.14. FUEL INJECTION DEVICE

(A)=3TNE74-DW
(B)=
(C)=

(D)=
(E)=
(F)=

Y00D5030
3TNE74-DW

14 FOフンシャソウチ
FUEL INJECTION DEVICE



No.	Lev.	Parts No.	Description	Q'ty						I	R
				(A)	(B)	(C)	(D)	(E)	(F)		
1	1	121520-01851	GASKET	1							G
2	1	119600-52021	PUMP ASSY, FUEL FEED	1							
3	1	26014-060202	BOLT, M6X 20	2							
4	1	119650-59010	PIPE ASSY, FUEL	1							
5	2	101304-59020	JOINT, PIPE 12	1							
6	2	104264-59030	JOINT, PIPE 8	1							
7	2	124766-59050	CLIP, HOSE 12	2							
8	2	106430-59560	PIPE, FUEL	1							
9	1	104264-59030	JOINT, PIPE 8	1							
10	1	105582-59150	BOLT, PIPE JOINT	2							
11	1	104200-59170	GASKET, 12	2							G
12	1	119650-59200	BOLT, PIPE JOINT M12	1							
13	1	22190-080002	WASHER, SEAL 6	2							G
14	1	22190-080002	WASHER, SEAL 6	2							G
15	1	119643-55610	FILTER ASSY, FUEL	1							
16	2	104200-55321	VALVE, TAPER	1							
17	2	104200-55330	SPRING, VALVE	1							
18	2	119810-55340	LEVER	1							
19	2	121254-55510	COVER	1							
20	2	102103-55520	O-RING	1							
21	2	110250-55610	RING, RETAINING	1							
22	2	121250-55620	SPRING	1							
25	2	124550-55700	FILTER, FUEL L=90	1							
27	2	104200-55750	SCREW, M4	1							
28	2	24311-240100	O-RING, 1AP10A	1							

Remarks
(G) THESE PARTS ARE SOLD BY FIG.18,
REF.NO.1.

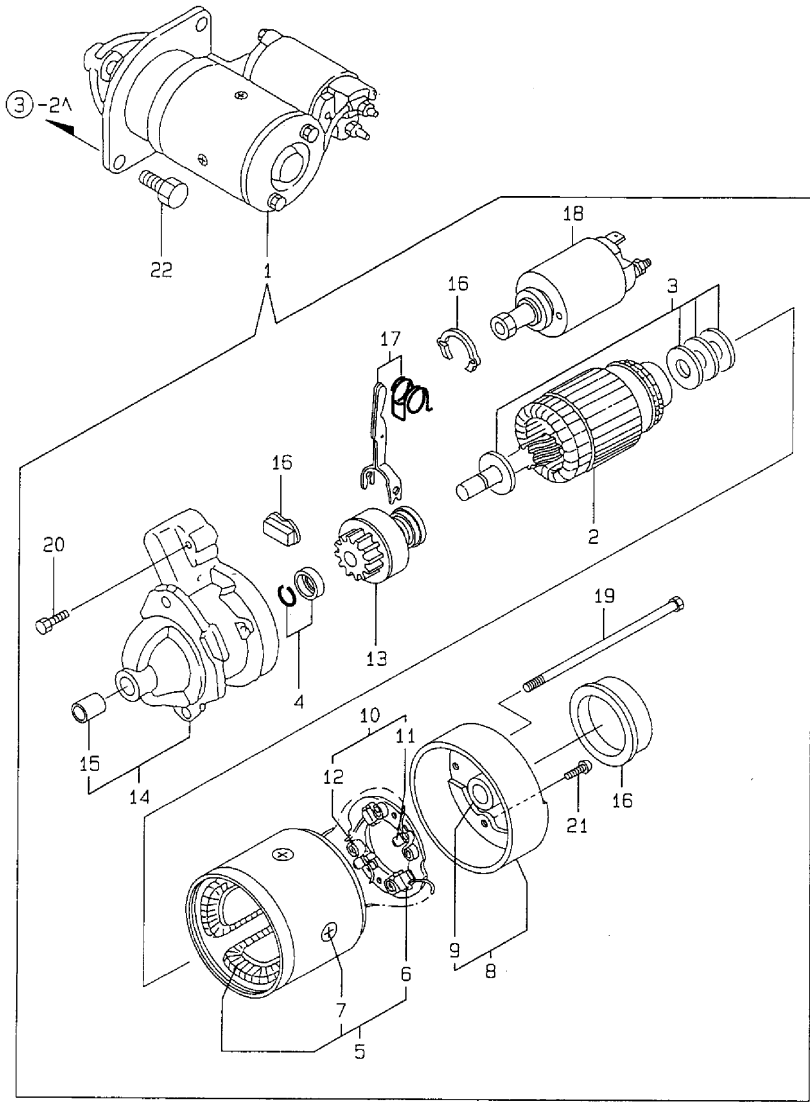
Fig.15. STARTING MOTOR

(A)=3TNE74-DW
(B)=
(C)=

(D)=
(E)=
(F)=

Y0005030
3TNE74-DW

15 スターティングモータ
STARTING MOTOR

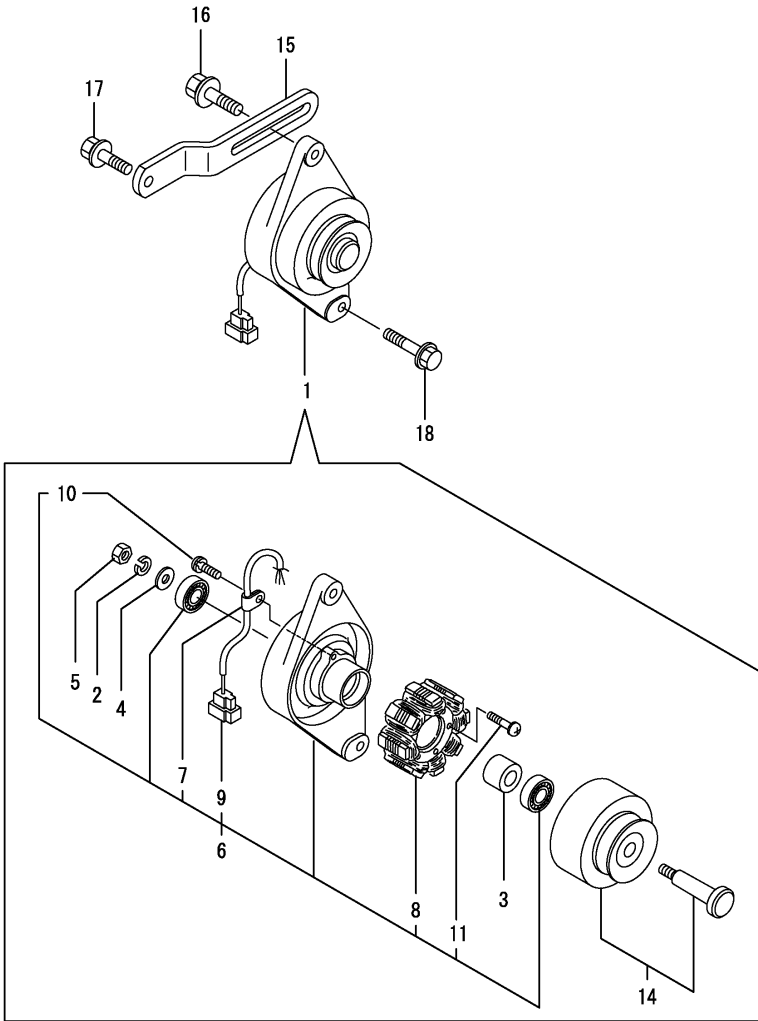


No.	Lev.	Parts No.	Description	Q'ty						I	R
				(A)	(B)	(C)	(D)	(E)	(F)		
1	1	119631-77010	STARTER	1							
2	2	124190-77110	ARMATURE, (NON-ASB.)	1							
3	2	X2114811000	WASHER KIT, THRUST	1							
4	2	X2114715500	STOPPER SET, PINION	1							
5	2	X2114631090	COIL ASSY, FIELD	1							
6	3	X2114531200	BRUSH (+)	2							
7	3	X2114821500	SCREW SET	1							
8	2	X2114430010	COVER ASSY, REAR	1							
9	3	X2114535200	METAL, STARTER	1							
10	2	X2114990010	HOLDER ASSY, BRUSH	1							
11	3	X2114831300	BRUSH (-)	1							
12	3	X2114931400	SPRING, BRUSH	3							
13	2	124190-77760	PINION ASSY	1							
14	2	X2114966130	CASE ASSY, GEAR	1							
15	3	X2114535200	METAL, STARTER	1							
16	2	X2114780060	COVER ASSY, DUST	1							
17	2	X2114660130	LEVER KIT, SHIFT	1							
18	2	X2114275070	SWITCH, MAGNETIC	1							
19	2	X2114680050	BOLT, THROUGH	2							
20	2	X2114586700	BOLT M6X 37	2							
21	2	X2114283500	SCREW SET	1							
22	1	26116-120252	BOLT, M12X 25 PLATED	2							

Fig.16. GENERATOR

(A)=3TNE74-DW
(B)=
(C)=

(D)=
(E)=
(F)=



No.	Lev.	Parts No.	Description	Q'ty						I	R
				(A)	(B)	(C)	(D)	(E)	(F)		
1	1	129150-77202	GENERATOR	1							
1-1	1	129150-77203	DINAMO ASSY	1							N
(A=EXXXXX)											
2	2	XM219230000	WASHER, SPRING	1							
3	2	XM329830000	COLLAR	1							
4	2	XM860250000	WASHER, 10	1							
5	2	XM863720000	NUT	1							
6	2	129150-77210	PLATE ASSY	1							
7	3	XM069000000	CLAMP	1							
8	3	XM081780000	STATOR	1							
9	3	XM178780000	COUPLER	1							
10	3	XYSPS400800	SCREW	1							
11	3	XYSPS402400	SCREW	2							
14	2	129150-77230	FLYWHEEL ASSY	1							
14-1	2	129150-77280	FLYWHEEL ASSY	1							N
(A=EXXXXX)											
15	1	119660-77330	ADJUSTER	1							
16	1	26014-080252	BOLT, M8X 25	1							
17	1	26106-080162	BOLT, M8X 16 PLATED	1							
18	1	26106-100402	BOLT, M10X 40 PLATED	1							

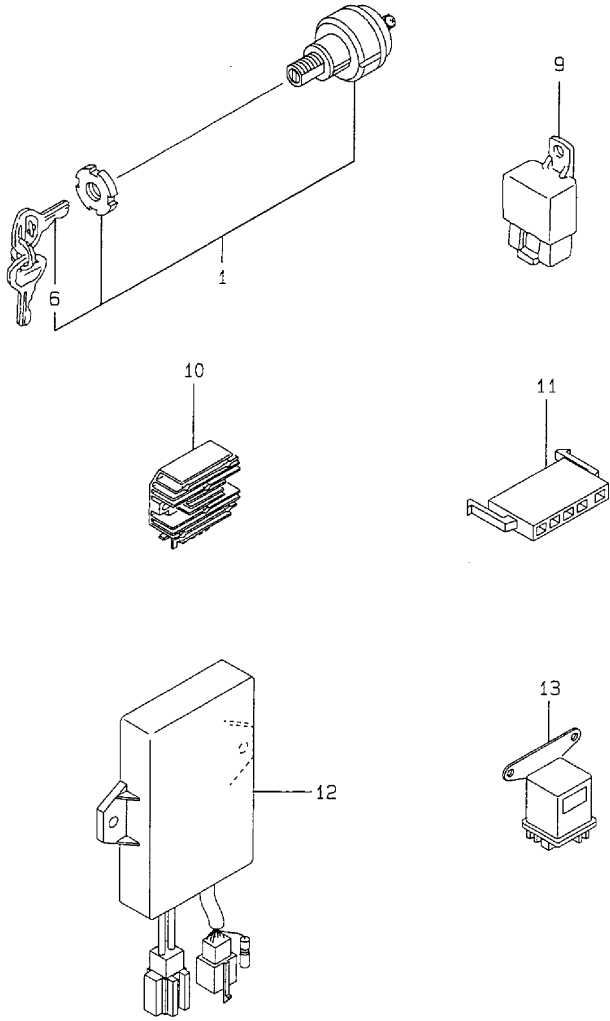
Fig.17. ELECTRIC PARTS

(A)=3TNE74-DW
(B)=
(C)=

(D)=
(E)=
(F)=

Y0005030
3TNE74-DW

17 アソウヒン
ELECTRIC PARTS



No.	Lev.	Parts No.	Description	Q'ty						I	R
				(A)	(B)	(C)	(D)	(E)	(F)		
1	1	194940-52110	SWITCH, STARTING	1							
6	2	198360-52160	KEY ASSY	1							
9	1	119247-77100	RELAY, SAFETY	1							
10	1	129150-77710	LIMITER, CURRENT 20A	1							
11	1	171301-77720	COUPLER	1							
12	1	119265-77801	RELAY, EMERGENCY	1							
13	1	119650-77910	RELAY ASSY, GLOW	1							

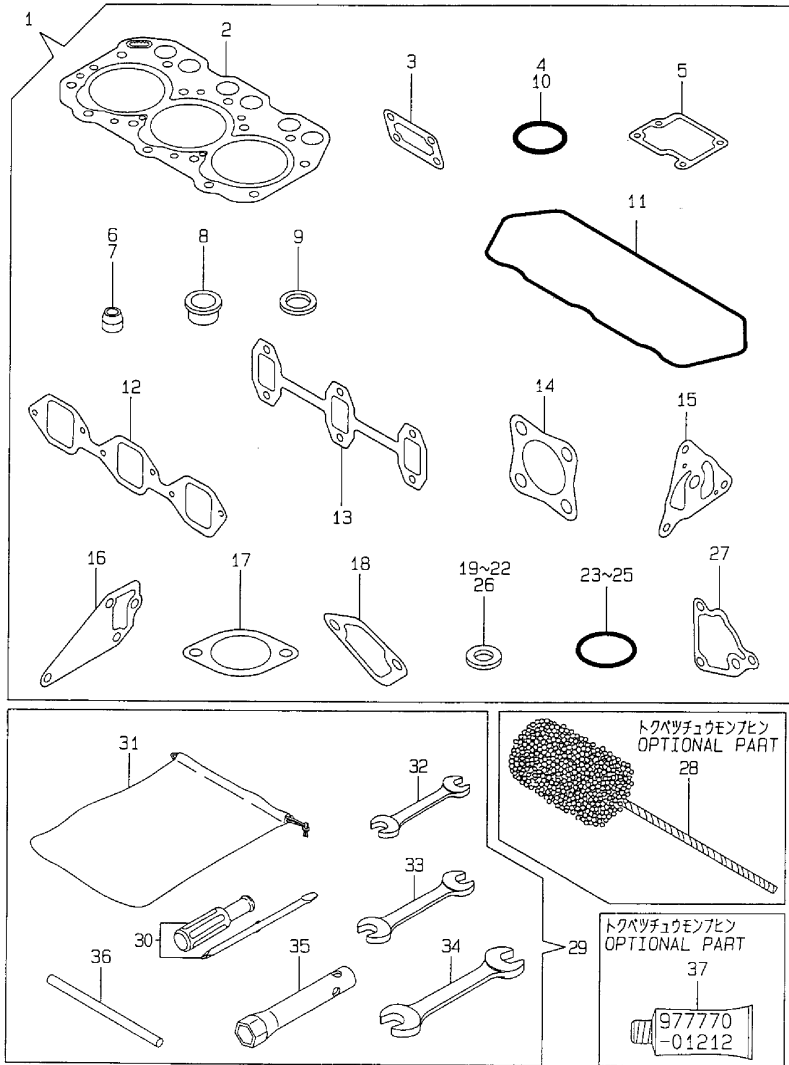
Fig.18. GASKET SET

(A)=3TNE74-DW
(B)=
(C)=

(D)=
(E)=
(F)=

Y00D5030
3TNE74-DW

18 パッキンセット
GASKET SET



No.	Lev.	Parts No.	Description	Q'ty						I	R
				(A)	(B)	(C)	(D)	(E)	(F)		
1	1	719634-92600	GASKET SET	1							1
2	2	119623-01330	GASKET, HEAD	1							
3	2	119660-01562	GASKET	1							
4	2	24311-000320	O-RING, 1AP32.0	1							
5	2	119620-03031	GASKET	1							
6	2	124950-11340	SEAL, VALVE STEM	3							
7	2	124160-11340	SEAL, VALVE STEM	3							
8	2	119600-11450	PROTECTOR, NOZZLE	3							
9	2	119600-11460	GASKET, NOZZLE	6							
10	2	24311-000320	O-RING, 1AP32.0	1							
11	2	119620-11310	GASKET, BONNET	1							
12	2	119620-12111	GASKET, MANIFOLD	1							
13	2	119620-13110	GASKET	1							
14	2	121000-13201	GASKET, SILENCER	1							
15	2	119660-32020	GASKET, PUMP	1							
16	2	119620-42020	GASKET, WATER PUMP	1							
17	2	129350-49541	GASKET	1							
18	2	121520-01851	GASKET	1							
19	2	124465-44950	GASKET, 16	1							
20	2	104200-59170	GASKET, 12	2							
21	2	23414-140000	GASKET, 14X1.0	3							
22	2	22190-080002	WASHER, SEAL 6	4							
23	2	24311-000120	O-RING, 1AP12.0	4							
24	2	129155-51580	O-RING	3							
24-1	2	129155-61830	O-RING, S10	3							R
		(A=E12832)									
25	2	24341-000240	O-RING, 1AS24.0	1							
26	2	22190-220002	WASHER, SEAL 22	1							
27	2	119660-35113	GASKET	1							
28	1	129400-92410	FLEX HORN	1							1
29	1	119265-93100	BOX, TOOL	1							
30	2	104200-92350	DRIVER, SCREW	1							
31	2	105300-92600	BAG, TOOL	1							
32	2	28110-100120	SPANNER, 10X12	1							
33	2	28110-140170	SPANNER, 14X17	1							
34	2	28110-190220	SPANNER, 19X22	1							
35	2	28227-191400	WRENCH, BOX 19X140	1							
36	2	28230-090150	HANDLE, TURN 9X150	1							
37	1	977770-01212	GASKET, LIQUID	1							1

Remarks
(1) OPTIONAL PART.

Parts No. Index

Parts No.	Fig. No.	Ref. No.
101304-59020	14	5
102103-55520	14	20
104200-55321	14	16
104200-55330	14	17
104200-55750	14	27
104200-59170	14	11
	18	20
104200-92350	18	30
104207-44480	5	3
104211-11370	4	27
104264-59030	14	6
		9
105010-11230	4	38
		42
105025-59550	13	38
105225-23200	8	29
105300-92600	18	31
105546-51330	11	25
105582-59150	14	10
106430-59560	14	8
110250-55610	14	21
114250-53130	13	9
114250-53400	13	11
114350-22301	8	22
119232-61540	12	45
119247-77100	17	9
119256-44760	10	17
119259-44570	10	34
119260-07900	4	5
119260-59530	13	37
119260-66720	12	76
119265-44400	9	15
119265-77801	17	12
119265-93100	18	29
119285-66080	12	54
119285-66500	12	65
119288-61200	12	15
119288-61510	12	29
119305-35151	9	27 -1
119600-01050	1	5
119600-01600	3	2
119600-01722	3	11
119600-11450	4	28
	18	8
119600-11460	4	29
	18	9
119600-13100	6	1
119600-52021	14	2
119600-61100	12	5
119600-61200	12	6

Parts No.	Fig. No.	Ref. No.
119600-61540	12	46
119600-61541	12	46 -1
119600-61650	12	47
119600-61900	12	52
119600-66020	12	62
119600-66530	12	70
119600-66840	12	102
119610-01490	2	14
119610-01590	2	1
119620-01200	1	23
119620-01620	3	6
119620-01750	3	4
119620-01800	2	4
119620-02020	1	6
119620-02410	1	21
119620-02450	7	4
119620-03020	4	51
119620-03031	4	52
	18	5
119620-11110	4	21
119620-11120	4	22
119620-11180	4	23
119620-11200	4	31
119620-11240	4	32
119620-11260	4	35
119620-11280	4	36
119620-11310	4	55
	18	11
119620-11330	4	50
119620-11350	4	47
119620-11390	4	56
119620-11801	4	14
119620-12111	5	4
	18	12
119620-13110	6	2
	18	13
119620-14100	7	7
119620-14200	7	1
119620-14401	7	2
119620-21941	8	10
119620-23910	8	27
119620-25102	7	11
119620-25912	7	13
119620-42020	10	12
	18	16
119620-42320	10	10
119620-51101	11	4
119620-51170	11	7
119620-51180	11	8
119620-51190	11	9

Parts No.	Fig. No.	Ref. No.
119620-51250	11	10
119620-51300	11	22
119620-51340	11	26
119620-51350	11	27
119620-51370	11	28
119620-51450	11	29
119620-51461	11	30
119620-51510	11	32
119620-51650	11	34
119620-51660	11	35
119620-51670	11	36
119620-51680	11	37
119620-51680	11	37
119620-51700	11	38
119620-53000	13	3
119620-53080	13	6
119620-53120	13	8
119620-53140	13	10
119620-59700	13	41
119620-59811	13	23
119620-59821	13	27
119620-59831	13	31
119620-77820	4	64
119621-21680	8	9
119621-66051	12	63
119623-01330	1	24
	18	2
119623-01770	3	13
119623-01950	2	23
119623-11100	4	20
119623-21700	8	1
119623-22080	8	16
119623-22500	8	18
119623-22900	8	32
119623-22950	8	34
119623-34830	9	24
119623-35090	9	40
119629-14580	7	3
119631-77010	15	1
119640-01640	3	14
119640-42290	10	14
119642-03140	4	1
119642-12100	5	1
119642-12110	5	2
119642-33030	9	13
119642-33100	9	14
119642-42000	10	1
119642-49030	9	17
119642-59550	13	39
119643-21590	8	12
119643-55610	14	15

Parts No.	Fig. No.	Ref. No.
119643-59540	13	35
119643-59570	13	40
119644-21200	8	5
119649-21650	8	8
119650-59010	14	4
119650-59200	14	12
119650-77910	17	13
119656-42350	10	15
119660-01510	2	17
119660-01551	2	20
119660-01562	2	21
	18	3
119660-01570	2	22
119660-01640	3	7
119660-01821	7	17
119660-01911	2	5
119660-25022	7	9
119660-25052	7	10
119660-32001	9	1
119660-32020	9	11
	18	15
119660-35102	9	25
119660-35113	9	26
	18	27
119660-35150	9	27
119660-51500	11	31
119660-51530	11	33
119660-61052	12	19
119660-61060	12	2
119660-61071	12	4
119660-61121	12	12
119660-61140	12	13
119660-61150	12	14
119660-61300	12	10
119660-61341	12	11
119660-61460	12	20
119660-61491	12	28
119660-61901	12	53
119660-77330	16	15
119687-44500	10	33
119687-44501	10	33 -1
119810-55340	14	18
119865-21600	8	15 -1
119867-44550	10	36
121000-13201	6	7
	18	14
121023-01550	2	32
121111-21501	8	11
121120-01620	3	3
121120-12541	5	7

Parts No. Index

Parts No.	Fig. No.	Ref. No.
121120-12561	5	8
121120-12571	5	9
121250-44590	10	37
121250-44901	10	23
121250-55620	14	22
121254-55510	14	19
121256-44600	10	32
121450-01560	2	18
121450-42450	10	42
121465-59950	12	110
121470-44540	10	30
121520-01851	14	1
	18	18
121520-34810	9	23
121522-59090	10	41
121550-49111	9	44
121575-66830	12	101
121850-11860	4	17
124066-59100	13	36
124085-02220	3	9
124160-01751	2	12
	4	66
124160-11340	4	25
	18	7
124160-11360	4	61
124160-39450	9	43
124190-77110	15	2
124190-77760	15	13
124450-35110	9	28
124450-44510	10	25
124450-44530	10	27
124450-44550	10	31
124450-44560	10	28
124465-44950	10	24
		43
	18	19
124550-55700	14	25
124550-59820	13	42
124550-66370	12	64
124766-59050	14	7
124950-11340	4	26
	18	6
129100-01580	3	1
	8	2
129100-61930	12	61
129114-44740	10	16
129120-35301	9	29
129122-44480	9	16
129150-35350	9	37
129150-59120	13	18

Parts No.	Fig. No.	Ref. No.
129150-59131	13	21
129150-77202	16	1
129150-77203	16	1 -1
129150-77210	16	6
129150-77230	16	14
129150-77280	16	14 -1
129150-77710	17	10
129155-51280	12	16
129155-51580	13	2
	18	24
129155-61480	12	23
129155-61830	13	2 -1
	18	24 -1
129350-12500	5	6
129350-12650	5	10
129350-12660	5	11
129350-12900	5	12
129350-49530	10	19
129350-49541	10	20
	18	17
129350-49800	10	21
129400-92410	18	28
129403-49050	9	18
129450-49010	10	38
129450-49020	10	39
129795-77800	4	63
129865-21600	8	15
170903-12560	5	13
171008-03990	4	65
171301-77720	17	11
174307-51700	12	30
194940-52110	17	1
194990-22050	2	30
	6	3
	12	1
198360-52160	17	6
22117-040000	12	48
22137-040000	11	43
22190-060003	12	104
22190-080002	14	13
	14	14
	18	22
22190-120002	12	106
22190-220002	3	16
	18	26
22217-040000	11	44
22217-050000	4	59
22242-000120	4	45
22242-000200	7	15
22252-000210	8	23

Parts No.	Fig. No.	Ref. No.
22272-000040	12	49
22351-020004	12	50
22351-030014	12	51
22351-040010	2	19
	12	58
22351-060012	4	30
22360-040000	12	107
22360-060000	12	108
22512-040120	7	8
		22
	8	6
23000-022000	9	19
23010-038000	10	40
23061-070230	10	29
23414-080012	13	43
23414-140000	13	44
	18	21
23871-010000	1	11
23871-030000	9	20
24101-062034	7	24
24102-063034	7	23
24311-000120	2	6
	4	62
	9	41
	18	23
24311-000160	9	38
24311-000320	2	13
	4	67
	18	4
		10
24311-240100	14	28
24321-000600	9	21
24321-000700	9	22
24341-000070	12	59
24341-000240	2	33
	18	25
24341-000280	12	67
26014-060122	10	35
26014-060202	14	3
26014-080252	16	16
26022-040082	11	45
26106-060102	9	42
	12	60
26106-060122	1	22
	3	17
	7	16
26106-060162	2	7
	7	25
26106-060182	2	34
26106-060202	5	5

Parts No.	Fig. No.	Ref. No.
26106-060222	3	10
26106-060302	2	8
26106-060452	3	18
26106-060602	2	9
		10
	10	18
26106-060702	12	109
26106-060802	2	11
26106-060952	12	69
26106-080142	4	6
		7
26106-080162	16	17
26106-080202	9	39
	10	22
26106-080402	6	4
26106-080452	4	48
	10	13
26106-100402	16	18
26116-050202	12	3
26116-060304	12	103
26116-120252	15	22
26206-100252	3	5
26216-080222	6	5
26216-080552	6	6
26366-060002	2	31
26366-080002	4	49
26450-060202	9	12
26557-050102	4	60
26587-040102	11	46
26587-080102	7	26
26756-060002	4	40
		44
	12	105
26776-120002	12	100
26979-050162	4	46
27221-050080	4	18
27231-450000	1	12
27241-120000	1	13
27241-300000	1	14
27241-400000	4	19
27310-070001	4	24
28110-100120	18	32
28110-140170	18	33
28110-190220	18	34
28227-191400	18	35
28230-090150	18	36
719255-53100	13	1
719620-02800	1	15
719620-02870	1	25
719620-02930	1	18

Parts No. Index

Parts No.	Fig. No.	Ref. No.
719620-11650	4	37
719620-11660	4	41
719620-23100	8	24
719620-23600	8	30
719620-23610	8	40
719621-51100	11	1
719623-01560	1	1
719623-11710	4	8
719634-92600	18	1
719660-14590	7	18
977770-01212	2	35
	3	19
	18	37
X2114275070	15	18
X2114283500	15	21
X2114430010	15	8
X2114531200	15	6
X2114535200	15	9
		15
X2114586700	15	20
X2114631090	15	5
X2114660130	15	17
X2114680050	15	19
X2114715500	15	4
X2114780060	15	16
X2114811000	15	3
X2114821500	15	7
X2114831300	15	11
X2114931400	15	12
X2114966130	15	14
X2114990010	15	10
XM069000000	16	7
XM081780000	16	8
XM178780000	16	9
XM219230000	16	2
XM329830000	16	3
XM860250000	16	4
XM863720000	16	5
XYSPS400800	16	10
XYSPS402400	16	11

Parts No.	Fig. No.	Ref. No.
-----------	----------	----------

Parts No.	Fig. No.	Ref. No.
-----------	----------	----------

Parts No.	Fig. No.	Ref. No.
-----------	----------	----------