

0CD10-M50000EN

PREFACE

1. This Parts Catalog is the 1st edition of 3TNE68-MY Diesel Engine for MARUYAMA SEISAKUSYO.

Pub. No. : 000Y00D5000
Published : September, 1994

2. Model name

Engine model	Vehicle		Vehicle made by
	Products	Model name	
3TNE68-MY	SPRAYER SHUTTLE	—	MARUYAMA SEISAKUSYO

Directions for the Parts Catalog.

1. This Parts Catalog shows both standard and optional parts.
2. Parts may change without prior notice.
3. The following is an example of the Parts Catalog format.

REF.	LEV.	PARTS NO.	DESCRIPTION	Q'TY						I	R
				(A)	(B)	(C)	(D)	(E)	(F)		
1	1	729595-51390	FUEL INJECTION PUMP	1	1	1	1	1			1
1-1	1	729595-51391	FUEL INJECTION PUMP	1	1	1	1	1		N	1
		(A=E00185) (B=E00200)									
3	2	26022-060162	SCREW M 6X 16	9	9	9	9	9			
3-1	2	26022-060162	SCREW M 6X 16	4	4	4	4	4		K	
		(A=E00156) (B=E00156) (C=E00156) (D=E00156) (E=E00156)									
4	2	129470-51040	CAMSHAFT	1	1	1	1	1			
5	2	122710-51050	BEARING, ROLLER	2	2	2	2	2			
6	2	129470-51060	RETAINER	1	1	1	1	1			

Remarks
(1) BOOST COMPEMSATOR TYPE. OPTIONAL PART, TO E00155,(4JH-DT, 4JH-DTZ

① Ref. No.

The Ref. No. listed may not be in accordance with the illustration Ref. No.

(Ex.) Illustration No.

List Ref No.

1

1

(Before change)

1-1

(After change)

For interchangeable symbols N, R and K, illustrations for new parts may be abbreviated.

② Lev. (Level)

Level indication

The numbers below indicate the level of relativity towards the main part.

1 ----- Main parts (Assembly parts)

2 ----- Sub component included in " 1 ".

3 ----- Sub component included in " 2 ".

Note) Parts that are not for sale are partially illustrated but not listed.

③ Interchangeability Symbol

When a part change takes place, one of the following interchangeability symbols is indicated beside the part.

Symbol	Interchangeability	Contents note
N	Old $\begin{matrix} \leftarrow \text{Yes} \\ \text{No} \rightarrow \end{matrix}$ New	New Part is interchangeable for Old Part but Old Part is not interchangeable for New Part.
Q	Old $\begin{matrix} \leftarrow \text{No} \\ \text{Yes} \rightarrow \end{matrix}$ New	New Part is not interchangeable for Old Part but Old Part is interchangeable for New Part.
R	Old $\begin{matrix} \leftarrow \text{Yes} \\ \text{Yes} \rightarrow \end{matrix}$ New	New/ Old Parts are both interchangeable.
S	Old $\begin{matrix} \leftarrow \text{No} \\ \text{No} \rightarrow \end{matrix}$ New	New/ Old Parts are both not interchangeable.
W		Part newly added.
Z		Part discontinued.
F		Not interchangeable by a single part but interchangeable together with related parts.
K		Changes only for used parts quantities.

④ Effective Machine No.

When a part changes, the effective Machine No. will be indicated in the (A)-(F) column.

Product Symbol	Product No.	Product Symbol	Product No.
C	Clutch No. Compressor No.	F	Machine No. (Agricultural Equip.)
D	Drive No.	M	Machine No.
E	Engine No.		

Note 1) A date may follow the symbol. (Ex.) 1996.01

Note 2) "XXXXX" and "ZZZZZ" are for parts that could not be predicted or for engine models that could not be identified.

Note 3) (A=E00185) is the E (Engine Serial Number) for the column (A) model (in this case 4JH-DT) after the parts design change.

⑤ Remarks

Figures or alphabets (symbols) are entered in the remarks column.

The comments (remarks) on parts that are indicated at the bottom of the illustration are the same symbols as those stated above.

Contents

Fig. No. Fig. Name

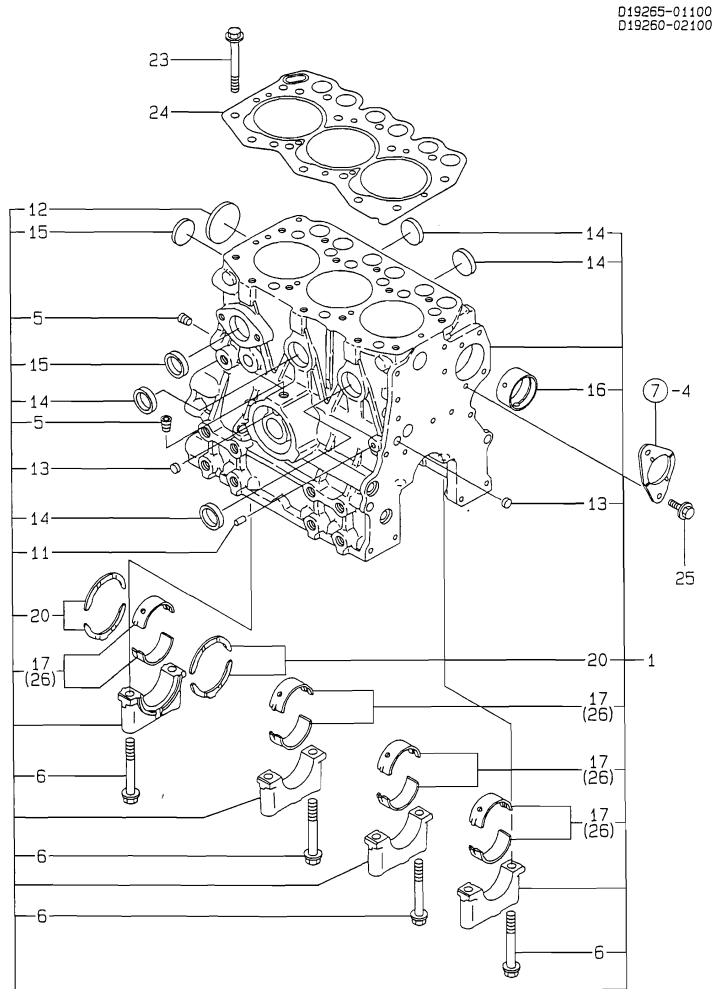
ENGINE 3TNE68-MY

1. CYLINDER BLOCK
2. GEAR HOUSING
3. FLYWHEEL HOUSING & OIL SUMP
4. CYLINDER HEAD & BONNET
5. SUCTION MANIFOLD & AIR CLEANER
6. EXHAUST MANIFOLD & SILENCER
7. CAMSHAFT & DRIVING GEAR
8. CRANKSHAFT & PISTON
9. LUB.OIL SYSTEM
10. COOLING WATER SYSTEM
11. FUEL INJECTION PUMP
12. GOVERNOR
13. FUEL INJECTION VALVE
14. FUEL LINE
15. STARTING MOTOR
16. GENERATOR
17. ELECTRIC PARTS
18. GASKET SET

Fig. No. Fig. Name

Fig.1. CYLINDER BLOCK

Y00D5000
3TNE68-MY



(A)=3TNE68-MY

(B)=

(C)=

(D)=

(E)=

(F)=

No.	Lev.	Parts No.	Description	Q'ty						I	R
				(A)	(B)	(C)	(D)	(E)	(F)		
1	1	719265-01560	BLOCK ASSY, CYLINDER	1							
5	2	124060-01050	PLUG, PT1/8	2							
6	2	119260-02020	BOLT, METAL CAP	8							
11	2	27221-060100	PLUG, 6X10	1							
12	2	27231-400000	PLUG 40	1							
13	2	27241-100000	PLUG, 10	2							
14	2	27241-250000	PLUG, 25	4							
15	2	27241-300000	PLUG 30	2							
16	2	119260-02410	BUSH, CAMSHAFT	1							
17	2	719260-02800	BEARING, MAIN	4							
20	2	719260-02930	BEARING, THRUST	2							
23	1	119260-01200	BOLT, HEAD	14							
24	1	119265-01340	GASKET, HEAD	1							G
24-1	1	119265-01341	GASKET, HEAD	1							N G
(A=*1996.07)											
25	1	26106-060122	BOLT, M6X 12 PLATED	2							
26	1	719260-02870	BEARING, 0.25 US	4							1

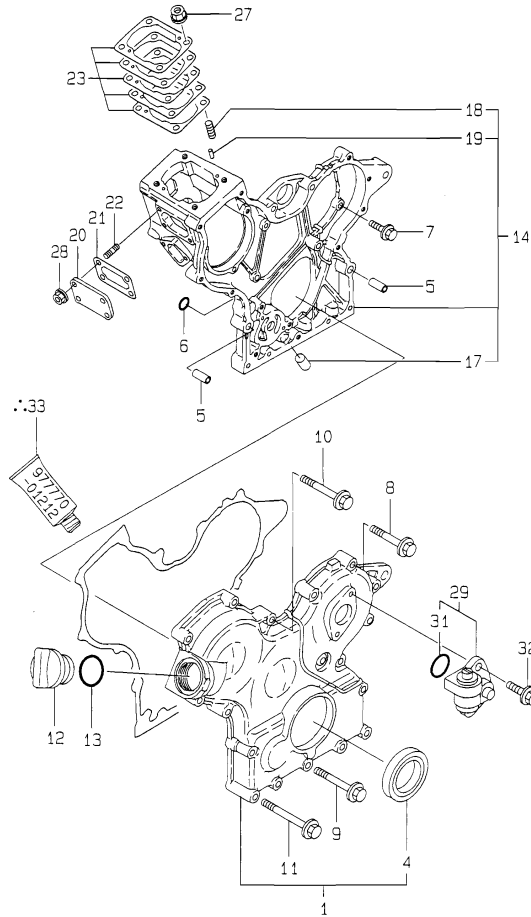
Remarks

(1) UNDER-SIZE(U.S=0.25)PART.
(G) THESE PARTS ARE SOLD BY FIG.18,
REF.NO.1.

Fig.2. GEAR HOUSING

Y00D5000
3TNE68-MY

発行No. 000Y00D5000-1
更新年月 : 1996. 6
REVISED : Jun., 1996



・印が今回変更 (追記) した箇所です。
・MARKED PART HAS BEEN CHANGED (ADDED).

(A)=3TNE68-MY

(B)=

(C)=

(D)=

(E)=

(F)=

No.	Lev.	Parts No.	Description	Q'ty						I	R
				(A)	(B)	(C)	(D)	(E)	(F)		
1	1	119260-01590	COVER ASSY,GEAR CASE	1							
4	2	119620-01800	SEAL, OIL	1							
5	1	119660-01911	PIPE, KNOCK	4							
6	1	24311-000120	O-RING, 1AP12.0	2							G
7	1	26106-060162	BOLT, M6X 16 PLATED	5							
8	1	26106-060302	BOLT, M6X 30 PLATED	5							
9	1	26106-060402	BOLT, M6X 40 PLATED	3							
10	1	26106-060502	BOLT, M6X 50 PLATED	4							
11	1	26106-060652	BOLT, M6X 65 PLATED	6							
12	1	124160-01751	COVER, FILLER	1							
13	1	24311-000320	O-RING, 1AP32.0	1							G
14	1	119260-01490	CASE ASSY, GEAR	1							
17	2	119260-01510	PLUG	1							
18	2	121450-01560	STUD, M8X22	4							
19	2	22351-040010	PIN, SPRING 4.0X10	2							
20	1	119660-01551	COVER	1							
21	1	119660-01562	GASKET	1							G
22	1	119660-01570	STUD, M6X12	4							
23	1	119620-01950	SHIM SET, ADJUSTING	1							
23-1	1	119623-01950	SHIM SET, ADJUSTING	1							N
(A=E09805)											
27	1	194990-22050	NUT, M8	4							
28	1	26366-060002	NUT, M6	4							
29	1	129150-91400	GEAR	1							
31	2	24341-000240	O-RING, 1AS24.0	1							G
32	1	26106-060162	BOLT, M6X 16 PLATED	2							
33	1	97770-01212	GASKET, LIQUID	1							W 1

(A=FROM 1ST)

Remarks

(G) THESE PARTS ARE SOLD BY FIG.18,
REF.NO.1.

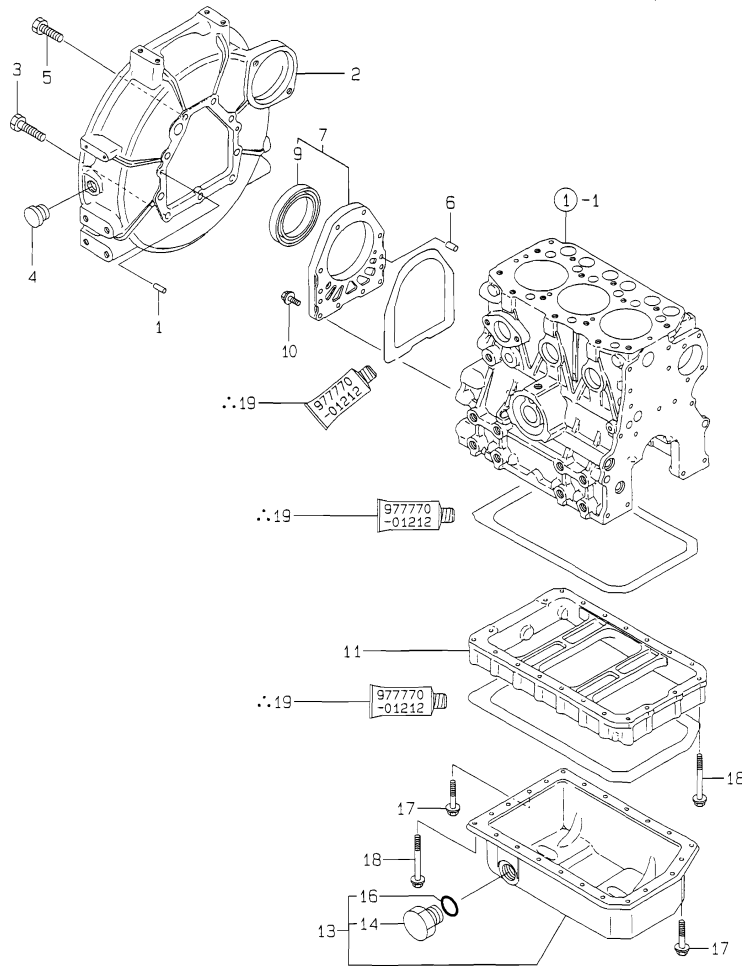
(1) OPTIONAL PART.

N:Old $\xrightarrow{\text{Yes}}$ New, Q:Old $\xrightarrow{\text{No}}$ New, R:Old $\xrightarrow{\text{Yes}}$ New, S:Old $\xrightarrow{\text{No}}$ New, W:Add, Z:Discontinued, F:Interchangeable by set, K:Q'ty Change

Fig.3. FLYWHEEL HOUSING & OIL SUMP

Y00D5000
3TNE68-MY

発行No. 000Y00D5000-1
発注年月 : 1996. 6
REVISED : Jun., 1996



∴印が今回変更（追記）した箇所です。
∴MARKED PART HAS BEEN CHANGED (ADDED) .

(A)=3TNE68-MY

(B)=

(C)=

(D)=

(E)=

(F)=

No.	Lev.	Parts No.	Description	Q'ty						I	R
				(A)	(B)	(C)	(D)	(E)	(F)		
1	1	129100-01580	PIN, M8X16	2							
2	1	119600-01600	HOUSING, FLYWHEEL	1							
3	1	121120-01620	BOLT, M10X28	3							
4	1	119620-01750	CAP	1							
5	1	26206-100252	BOLT, M10X 25 PLATED	6							
6	1	119620-01620	PIN, M6X10	2							
7	1	119660-01640	CASE ASSY, OIL SEAL	1							
9	2	124085-02220	SEAL, OIL	1							
10	1	26106-060222	BOLT, M6X 22 PLATED	10							
11	1	119454-01721	SPACER, OIL SUMP	1							
13	1	119260-01770	SUMP ASSY, OIL	1							
14	2	121400-01640	PLUG, 16	1							
16	2	24311-000180	O-RING, 1AP18.0	1							G
17	1	26106-060102	BOLT, M6X 10 PLATED	3							
18	1	26106-060452	BOLT, M6X 45 PLATED	20							
19	1	977770-01212	GASKET, LIQUID	1							W 1

(A=FROM 1ST)

Remarks

(G) THESE PARTS ARE SOLD BY FIG.18,
REF.NO.1.

(1) OPTIONAL PART.

Fig.4. CYLINDER HEAD & BONNET

(A)=3TNE68-MY

(B)=

(C)=

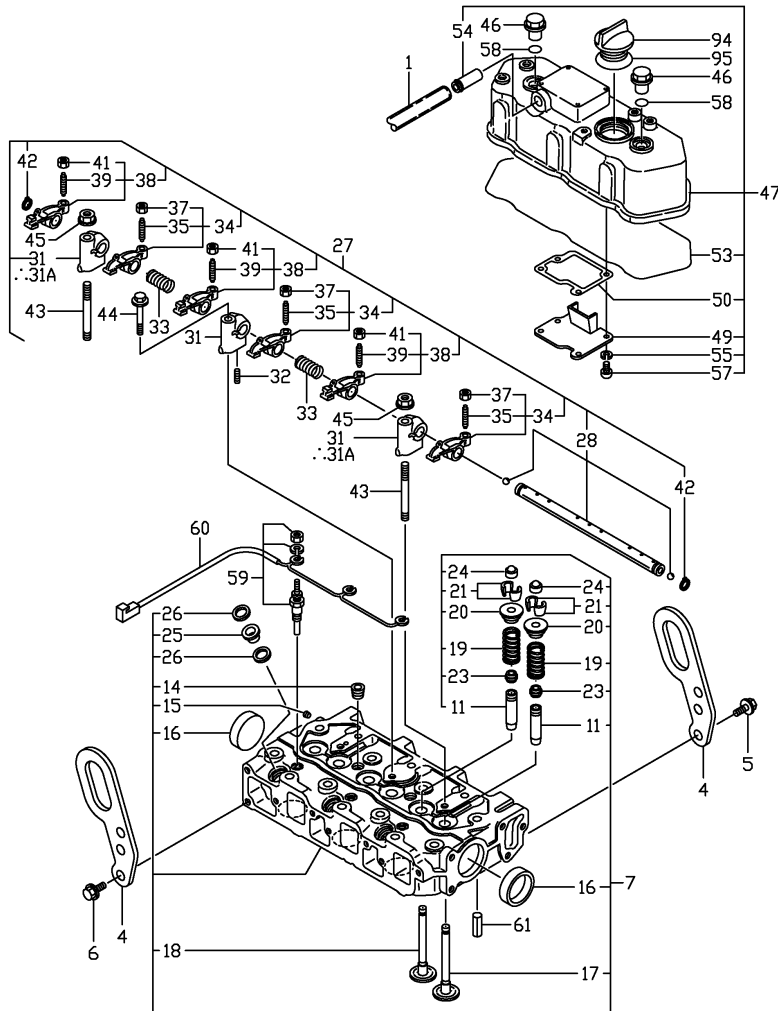
(D)=

(E)=

(F)=

Y00D5000
3TNE68-MY

4 シリンダヘッド @ ボンネット
4 CYLINDER HEAD @ BONNET



印が今回変更(追記)した箇所です。
MARKED PART HAS BEEN CHANGED (ADDED).

Remarks

(1) REPAIR PART.

(G) THESE PARTS ARE SOLD BY FIG.18, REF.NO.1.

No.	Lev.	Parts No.	Description	Q'ty						I	R
				(A)	(B)	(C)	(D)	(E)	(F)		
1	1	49934-000136	PIPE, 12X15	1							
1-1	1	23065-120500	PIPE, 12X 500	1							N
(A=FROM 1ST)											
4	1	119260-07900	LIFTER	2							
5	1	26106-080142	BOLT, M8X 14 PLATED	1							
6	1	26106-080142	BOLT, M8X 14 PLATED	2							
7	1	119265-11700	HEAD ASSY, CYLINDER	1							
11	2	119260-11800	GUIDE, VALVE	6							1
14	2	23871-020000	PLUG, R02	2							
14-1	2	23871-030000	PLUG, R03	2							S
(A=E09102)											
15	2	27221-050080	PLUG, 5X 8	1							
16	2	27241-350000	PLUG, 35	2							
17	2	119260-11100	VALVE, INTAKE	3							
18	2	119260-11110	VALVE, EXHAUST	3							
19	2	114250-11120	SPRING, VALVE	6							
20	2	114250-11180	RETAINER, SPRING	6							
21	2	714250-11570	COTTER ASSY	6							
23	2	119260-11340	SEAL, VALVE STEM	6							G
24	2	119260-11370	CAP, VALVE	6							
25	2	119600-11450	PROTECTOR, NOZZLE	3							G
26	2	119600-11460	GASKET, NOZZLE	6							G
27	1	119260-11200	SUPPORT ASSY, ARM	1							
28	2	119260-11240	SHAFT ASSY, ROCKER	1							
31	2	119260-11260	SUPPORT, ROCKER ARM	3							
31-1	2	119260-11260	SUPPORT, ROCKER ARM	1							K
(A=E16849)											
31A	2	119265-11260	SUPPORT, ROCKER ARM	2							W
(A=E16849)											
32	2	119260-11270	SCREW	1							
33	2	119260-11280	SPRING	2							
34	2	719260-11650	ARM ASSY, ROCKER	3							
35	3	105010-11230	SCREW, VALVE ADJUST	3							
37	3	26756-060002	NUT, LOCK M6	3							
38	2	719260-11660	ARM ASSY, ROCKER	3							
39	3	105010-11230	SCREW, VALVE ADJUST	3							
41	3	26756-060002	NUT, LOCK M6	3							
42	2	22242-000100	RING, 10	2							
43	1	119620-11350	STUD	2							
44	1	26106-080452	BOLT, M8X 45 PLATED	1							
45	1	26366-080002	NUT, M8	2							
46	1	124160-11360	KNOB	2							
47	1	719260-11520	BONNET ASSY, HEAD	1							
49	2	119260-03020	PLATE, SHELTER	1							
50	2	119260-03031	GASKET	1							G
53	2	119260-11310	GASKET, BONNET	1							G
54	2	119620-11390	JOINT	1							
55	2	22217-050000	WASHER, SPRING 5	4							
57	2	26557-050102	SCREW, M5X10	4							
58	1	24311-000120	O-RING, 1AP12.0	2							G
59	1	129795-77800	PLUG, GLOW	3							

Fig.4. CYLINDER HEAD & BONNET

(A)=3TNE68-MY

(B)=

(C)=

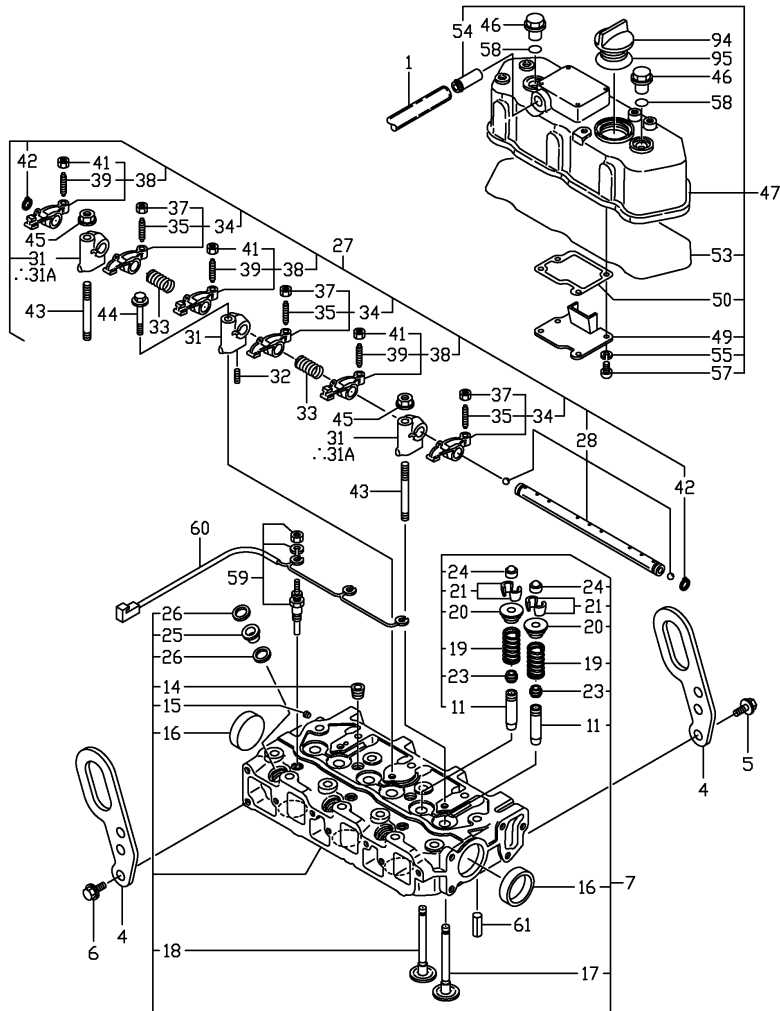
(D)=

(E)=

(F)=

Y0005000
3TNE68-MY

4 シリンダヘッド @ ボンネット 4 CYLINDER HEAD @ BONNET



印が今回変更(追記)した箇所です。
MARKED PART HAS BEEN CHANGED (ADDED).

No.	Lev.	Parts No.	Description	Q'ty						I	R
				(A)	(B)	(C)	(D)	(E)	(F)		
60	1	119620-77820	CONNECTOR, GLOW PLUG	1							
61	1	22351-060012	PIN, SPRING 6.0X12	2							
94	1	124160-01751	COVER, FILLER	1							
95	1	24311-000320	O-RING, 1AP32.0	1							

Remarks

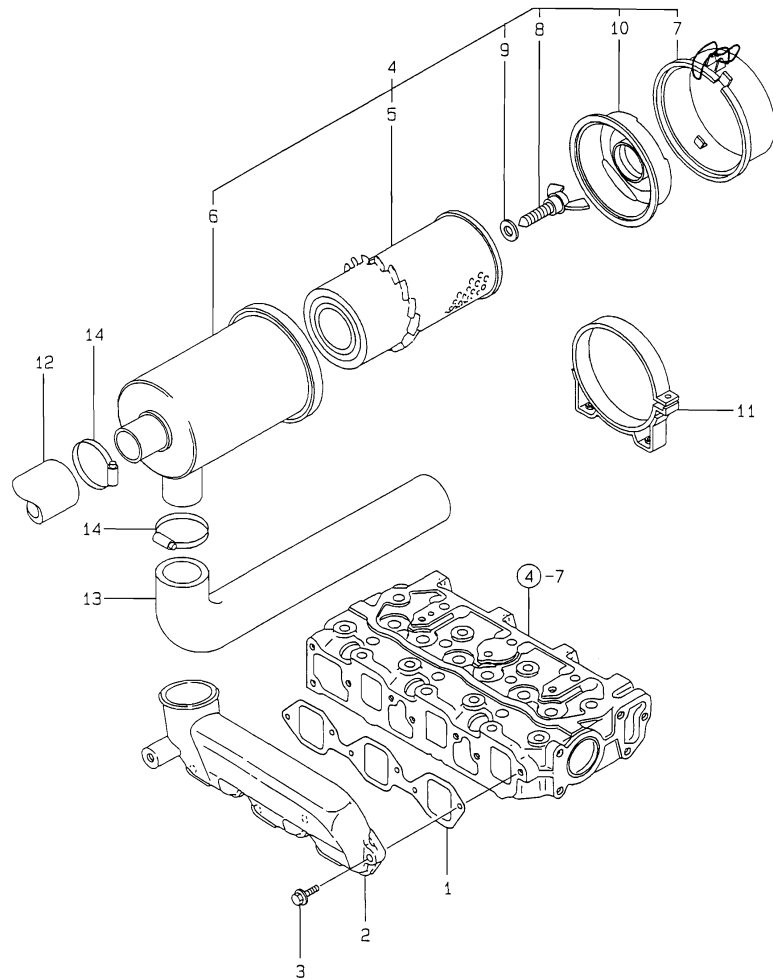
(1) REPAIR PART.

(G) THESE PARTS ARE SOLD BY FIG.18,
REF.NO.1.

Fig.5. SUCTION MANIFOLD & AIR CLEANER

Y0005000
3TNE68-MY

019225-12200



(A)=3TNE68-MY

(B)=

(C)=

(D)=

(E)=

(F)=

No.	Lev.	Parts No.	Description	Q'ty						I	R
				(A)	(B)	(C)	(D)	(E)	(F)		
1	1	119260-12111	GASKET, MANIFOLD	1							G
2	1	119260-12100	MANIFOLD, AIR INTAKE	1							
3	1	26106-060202	BOLT, M6X 20 PLATED	4							
4	1	124970-12500	CLEANER ASSY, AIR	1							
5	2	121465-12510	ELEMENT	1							
6	2	124970-12640	BODY, AIR CLEANER	1							
7	2	124970-12660	SUMP ASSY, DUST	1							
8	2	124064-12680	BOLT	1							
9	2	124064-12690	WASHER	1							
10	2	124970-12700	RETAINER, ELEMENT	1							
11	1	171126-12580	BAND, AIR CLEANER	1							
12	1	119858-12070	PIPE, AIR INTAKE	1							
13	1	119632-12211	PIPE, AIR INTAKE	1							
14	1	23000-060000	CLAMP, 60	5							

Remarks
(G) THESE PARTS ARE SOLD BY FIG.18,
REF.NO.1.

Fig.6. EXHAUST MANIFOLD & SILENCER

(A)=3TNE68-MY

(B)=

(C)=

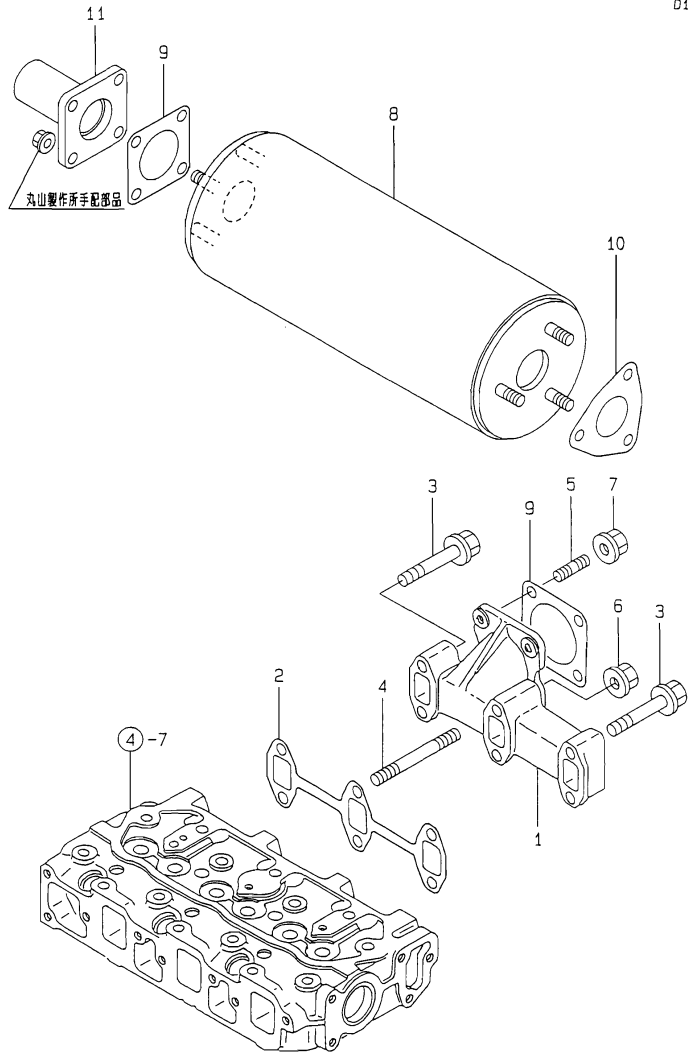
(D)=

(E)=

(F)=

Y00D5000
3TNE68-MY

D19260-13100TK



No.	Lev.	Parts No.	Description	Q'ty						I	R
				(A)	(B)	(C)	(D)	(E)	(F)		
1	1	119260-13100	MANIFOLD, EXHAUST	1							
2	1	119260-13110	GASKET	1							G
3	1	26106-060352	BOLT, M6X 35 PLATED	4							
4	1	26216-060402	STUD, M6X 40	2							
5	1	26216-080222	STUD, M8X 22	4							
6	1	26366-060002	NUT, M6	2							
7	1	194990-22050	NUT, M8	4							
8	1	119232-13500	SILENCER	1							
9	1	124701-11911	GASKET, SILENCER	2							G
10	1	103954-13201	GASKET, SILENCER	1							
11	1	119232-13510	PIPE	1							

Remarks
(G) THESE PARTS ARE SOLD BY FIG.18,
REF.NO.1.

Fig.7. CAMSHAFT & DRIVING GEAR

(A)=3TNE68-MY

(B)=

(C)=

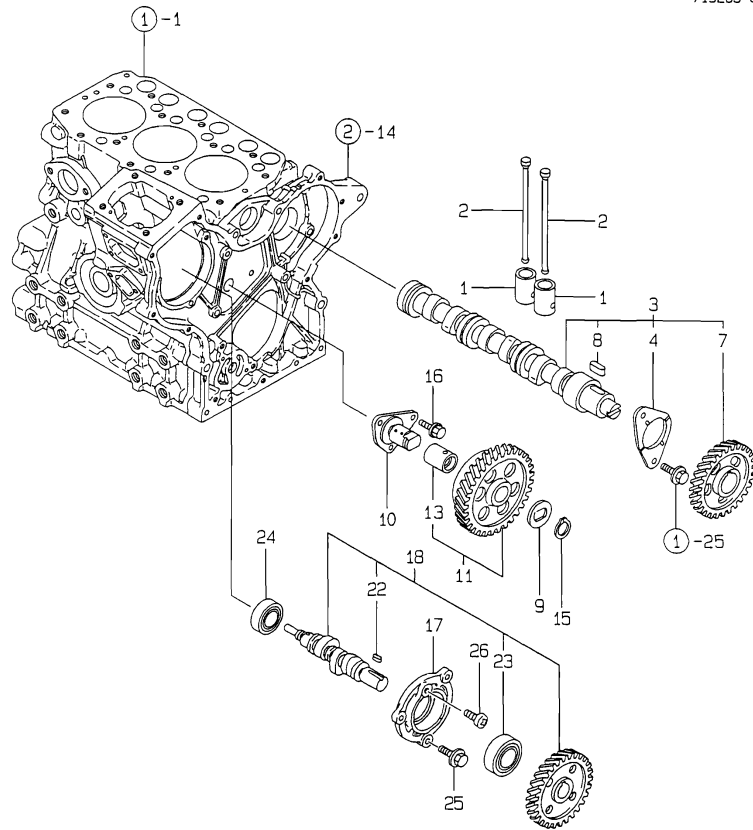
(D)=

(E)=

(F)=

Y00D5000
3TNE68-MY

019260-14110
019260-25100
719265-51320



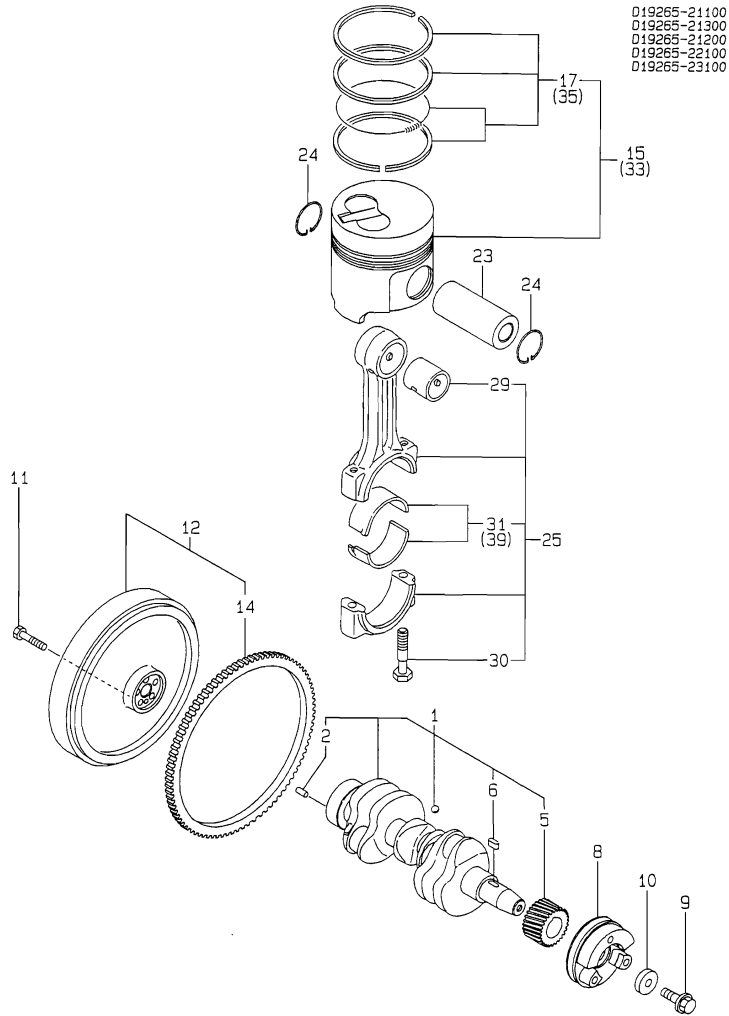
No.	Lev.	Parts No.	Description	Q'ty						I	R
				(A)	(B)	(C)	(D)	(E)	(F)		
1	1	119260-14200	TAPPET	6							
2	1	119260-14400	ROD, PUSH	6							
3	1	119260-14580	CAMSHAFT ASSY	1							
4	2	119620-02450	BEARING, THRUST	1							
7	2	119260-14100	GEAR, CAMSHAFT	1							
8	2	22512-040120	KEY, 4X 12	1							
9	1	119660-25022	RETAINER	1							
10	1	119660-25052	SHAFT, IDLE	1							
11	1	119260-25100	GEAR ASSY, IDLE	1							
13	2	119620-25912	BUSH	1							1
15	1	22242-000200	RING, 20	1							
16	1	26106-060122	BOLT, M6X 12 PLATED	3							
17	1	119660-01821	BEARING, FUEL CAM	1							
18	1	119225-14200	CAM ASSY	1							
22	2	22512-040120	KEY, 4X 12	1							
23	2	24102-063034	BEARING, BALL 6303U	1							
24	1	24101-062034	BEARING, BALL 6203	1							
25	1	26106-060162	BOLT, M6X 16 PLATED	3							
26	1	26587-080102	SCREW, M8X10	1							

Remarks

(1) REPAIR PART.

Fig.8. CRANKSHAFT & PISTON

Y00D5000
3TNE68-MY



(A)=3TNE68-MY

(B)=

(C)=

(D)=

(E)=

(F)=

No.	Lev.	Parts No.	Description	Q'ty						I	R
				(A)	(B)	(C)	(D)	(E)	(F)		
1	1	119265-21700	CRANKSHAFT ASSY	1							
2	2	129100-01580	PIN, M8X16	1							
5	2	119260-21200	GEAR, CRANKSHAFT	1							
6	2	22512-040120	KEY, 4X 12	1							
8	1	119265-21650	V-PULLEY	1							
9	1	119621-21680	BOLT, FLANGE 12X1.25	1							
10	1	119620-21941	WASHER	1							
11	1	121111-21501	BOLT, FLYWHEEL	5							
12	1	119265-21590	FLYWHEEL ASSY	1							
14	2	119865-21600	GEAR, RING	1							
15	1	119265-22090	PISTON ASSY	3							
15-1	1	119265-22601	PISTON ASSY	3							N
(A=FROM 1ST)											
17	2	119265-22500	RING SET, PISTON	3							
23	1	119265-22300	PIN, PISTON	3							
24	1	22252-000200	RING, 20	6							
25	1	119265-23100	ROD ASSY, CONNECTING	3							
29	2	119260-23910	BEARING, PISTON PIN	3							1
30	2	119265-23200	BOLT, CONNECTING ROD	6							
31	2	719260-23600	BEARING, CRANK PIN	3							
33	1	719265-22900	PISTON ASSY, 0.25 OS	3							2
35	2	719265-22950	RING SET, 0.25 OS	3							2
39	1	719260-23610	BEARING ASSY, 0.25	3							3

Remarks

(1) REPAIR PART.

(2) OVER-SIZE(O.S=0.25)PART.

(3) UNDER-SIZE(U.S=0.25)PART.

Fig.9. LUB.OIL SYSTEM

(A)=3TNE68-MY

(B)=

(C)=

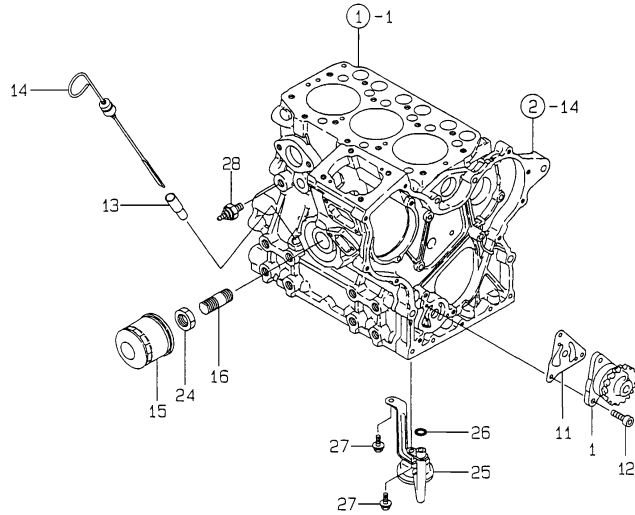
(D)=

(E)=

(F)=

Y0005000
3TNE68-MY

019260-32100
019305-35100
019260-35220
019500-39100
019265-34110



No.	Lev.	Parts No.	Description	Q'ty						I	R
				(A)	(B)	(C)	(D)	(E)	(F)		
1	1	119260-32000	PUMP ASSY, OIL	1							
11	1	119660-32020	GASKET, PUMP	1							G
12	1	26450-060202	BOLT, M6X 20	3							
13	1	121520-34810	GUIDE, DIPSTICK	1							
14	1	119265-34820	DIPSTICK, OIL	1							
15	1	119305-35150	FILTER, OIL	1							
16	1	119225-35300	VALVE ASSY	1							
24	1	129150-35350	NUT	1							
25	1	119260-35081	PIPE, OIL INLET	1							
26	1	24311-000120	O-RING, 1AP12.0	1							G
27	1	26106-060122	BOLT, M6X 12 PLATED	2							
28	1	124160-39450	SWITCH, 0.5KG	1							

Remarks
(G) THESE PARTS ARE SOLD BY FIG.18,
REF.NO.1.

Fig.10. COOLING WATER SYSTEM

(A)=3TNE68-MY

(B)=

(C)=

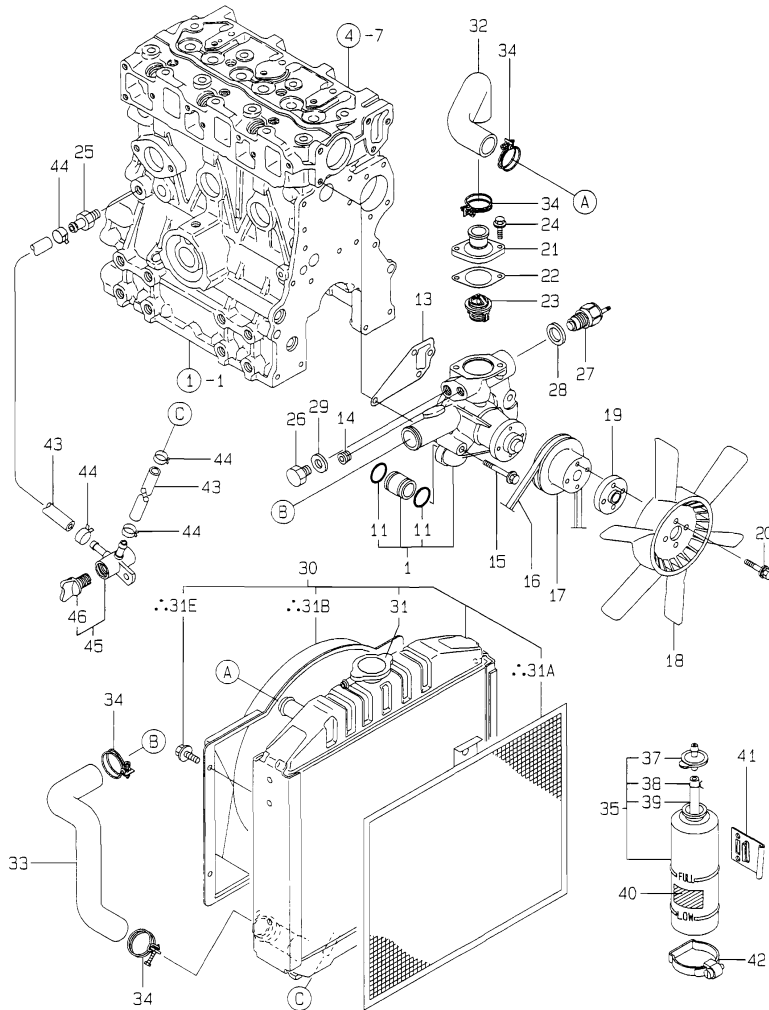
(D)=

(E)=

(F)=

Y0005000
3TNE68-MY

発行No. 000Y0005000-1
発行人日 : 1996. 6
REVISED : Jun., 1996



印が今回変更 (追加) した箇所です。
MARKED PART HAS BEEN CHANGED (ADDED)

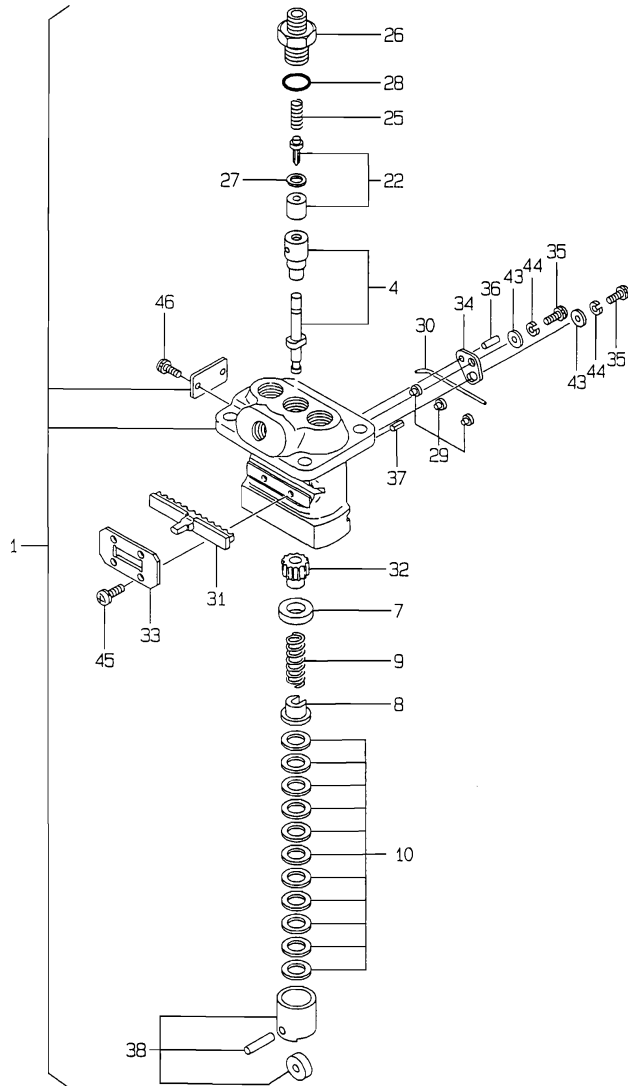
No.	Lev.	Parts No.	Description	Q'ty						I	R
				(A)	(B)	(C)	(D)	(E)	(F)		
1	1	119265-42001	PUMP ASSY, WATER	1							
1-1	1	119265-42002	PUMP ASSY, WATER	1							R
(A=E05130)											
11	2	24311-000210	O-RING, 1AP21.0	2							
13	1	119260-42020	GASKET, WATER PUMP	1							G
14	1	171056-49120	PLUG, DRAIN	1							
15	1	26106-080452	BOLT, M8X 45 PLATED	3							
16	1	119256-42290	V-BELT, FM33.5	1							
17	1	119620-42350	V-PULLEY	1							
18	1	124251-44740	PLATE	1							
19	1	171353-44760	SPACER, FAN	1							
20	1	26014-060352	BOLT, M6X 35	4							
21	1	129350-49530	COVER, THERMOSTAT	1							
22	1	129350-49541	GASKET	1							G
23	1	129350-49800	THERMOSTAT, 71	1							
24	1	26106-080202	BOLT, M8X 20 PLATED	2							
25	1	121550-49111	JOINT, PT1/4	1							
26	1	121450-42450	PLUG, M16	1							
27	1	121250-44901	SWITCH, 110	1							
28	1	124465-44950	GASKET, 16	1							G
29	1	124465-44950	GASKET, 16	1							G
30	1	119655-44500	RADIATOR	1							
31	2	124450-44590	CAP, RADIATOR	1							
31A	2	119655-44580		1							W
(A=FROM 1ST)											
31B	2	119655-44610		1							W
(A=FROM 1ST)											
31E	2	26014-060122	BOLT, M6X 12	4							W
(A=FROM 1ST)											
32	1	171301-49010	PIPE, WATER	1							
33	1	119332-49020	PIPE, WATER	1							
34	1	23010-038000	CLAMP, 38	4							
35	1	121450-44510	TANK ASSY, SUB	1							
37	2	121450-44530	CAP	1							
38	2	124450-44560	RETAINER	1							
39	2	23065-070180	PIPE, 7X 180	1							
40	1	121470-44540	LABEL, SUB-TANK	1							
41	1	121256-44600	BRACKET, SUB TANK	1							
42	1	124450-44550	BAND	1							
43	1	121522-59100	PIPE, FUEL D12X500	2							
44	1	124766-59050	CLIP, HOSE 12	5							
45	1	129150-49100	COCK ASSY, 3-WAY	1							
46	2	129150-49080	COCK, DRAIN	1							

Remarks
(G) THESE PARTS ARE SOLD BY FIG.18,
REF.NO.1.

Fig.11. FUEL INJECTION PUMP

Y00D5000
3TNE68-MY

719265-51320



(A)=3TNE68-MY

(B)=

(C)=

(D)=

(E)=

(F)=

No.	Lev.	Parts No.	Description	Q'ty						I	R
				(A)	(B)	(C)	(D)	(E)	(F)		
1	1	719225-51100	PUMP ASSY, INJECTION	1							
4	2	119225-51100	PLUNGER ASSY	3							
7	2	119620-51170	RETAINER, SPRING A	3							
8	2	119620-51180	RETAINER, SPRING B	3							
9	2	119620-51190	SPRING, PLUNGER	3							
10	2	119620-51250	SHIM SET	3							
22	2	119225-51300	VALVE ASSY, DELIVERY	3							
25	2	105546-51330	SPRING, DELIVERY	3							
26	2	119620-51340	HOLDER, DELIVERY	3							
27	2	119620-51350	GASKET	3							
28	2	119620-51370	O-RING	3							
29	2	119620-51450	PIECE	3							
30	2	119620-51461	PIN	1							
31	2	119660-51500	RACK, CONTROL	1							
32	2	119620-51510	PINION	3							
33	2	119660-51530	RETAINER, RACK	1							
34	2	119620-51650	PLATE	2							
35	2	119620-51660	SCREW	2							
36	2	119620-51670	PIN	2							
37	2	119620-51680	PIN	1							
38	2	119620-51700	TAPPET ASSY	3							
43	2	22137-040000	WASHER, 4	2							
44	2	22217-040000	WASHER, SPRING 4	2							
45	2	26022-040082	SCREW, M4X 8	4							
46	2	26587-040102	SCREW, M4X10	2							

Fig.12. GOVERNOR

(A)=3TNE68-MY

(B)=

(C)=

(D)=

(E)=

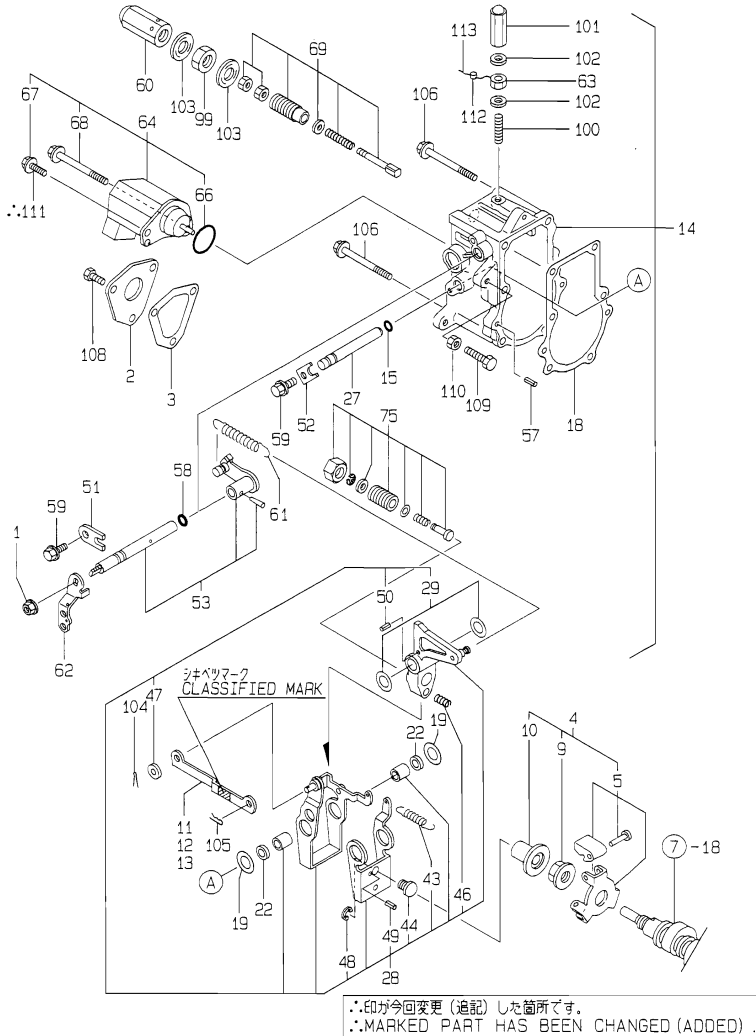
(F)=

Q'ty

I R

Y00D5000
3TNE68-MY

発行No. 000Y00D5000-1
発行人月 : 1996. 6
REVISED : Jun., 1996



No.	Lev.	Parts No.	Description	Q'ty						I	R
				(A)	(B)	(C)	(D)	(E)	(F)		
1	1	194990-22050	NUT, M8	1							
2	1	119660-61060	COVER, GOVERNOR CASE	1							
3	1	119660-61071	GASKET	1							
4	1	119600-61100	DRIVE ASSY	1							
5	2	119600-61200	WEIGHT ASSY,GOVERNOR	1							
9	2	119660-61300	NUT	1							
10	2	119660-61341	SLEEVE	1							
11	1	119660-61121	LINK, NO MARK	1							1
12	1	119660-61140	LINK, MARK :2	1							1
13	1	119660-61150	LINK, MARK :3	1							1
14	1	119265-61200	CASE ASSY, GOVERNOR	1							
15	2	129155-51280	O-RING, S6	1							
18	2	119660-61052	GASKET	1							
19	2	119660-61460	SHIM SET	1							
22	2	129155-61480	SPACER ASSY	2							
27	2	119660-61491	SHAFT	1							
28	2	119265-61510	LEVER ASSY, GOVERNOR	1							
29	3	174307-51700	SHIM SET	2							
43	3	119232-61540	SPRING	1							
44	3	119600-61540	SHIFTER	1							
44-1	3	119600-61541	SHIFTER	1							N
(A=E10471)											
46	3	119660-61651	SPRING, STARTING	1							
47	3	22117-040000	WASHER, 4	1							
48	3	22272-000040	RING, E- 4	1							
49	3	22351-020004	PIN, SPRING 2.0X 4	1							Z
(A=E10471)											
50	3	22351-030014	PIN, SPRING 3.0X14	1							
51	2	119600-61900	RETAINER, SHAFT	1							
52	2	119660-61901	RETAINER, SHAFT	1							
53	2	119285-66080	SHAFT ASSY	1							
57	2	22351-040010	PIN, SPRING 4.0X10	2							
58	2	24341-000070	O-RING, 1AS7.0	1							
59	2	26106-060102	BOLT, M6X 10 PLATED	2							
60	1	129100-61930	NUT, CAP	1							
61	1	119260-66010	SPRING, REGULATOR	1							
62	1	119621-66051	LEVER, REGULATOR	1							
63	1	124550-66370	NUT, M6	1							
64	1	119285-66500	STOPPER ASSY	1							
66	2	24341-000280	O-RING, 1AS28.0	1							
67	2	26106-060162	BOLT, M6X 16 PLATED	1							Z
(A=FROM 1ST)											
68	2	26106-060952	BOLT, M6X 95 PLATED	1							
69	1	119600-66530	LIMITER ASSY, FUEL	1							
75	1	119600-66700	ANGLEICH ASSY	1							
99	1	124772-66750	NUT, LOCK M12	1							
100	1	121575-66830	SCREW	1							
101	1	119600-66840	NUT, CAP	1							
102	1	22190-060003	SEAL WASER 6	2							
103	1	22190-120002	WASHER, SEAL 12	2							
104	1	22360-040000	PIN, SNAP 4	1							

Remarks

(1) SELECTIVE PARTS : CERTAIN THE CLASSIFICATION MARK, THEN PLACE YOUR ORDER.(REF. TO ILLUSTRATION)

Fig.12. GOVERNOR

(A)=3TNE68-MY

(B)=

(C)=

(D)=

(E)=

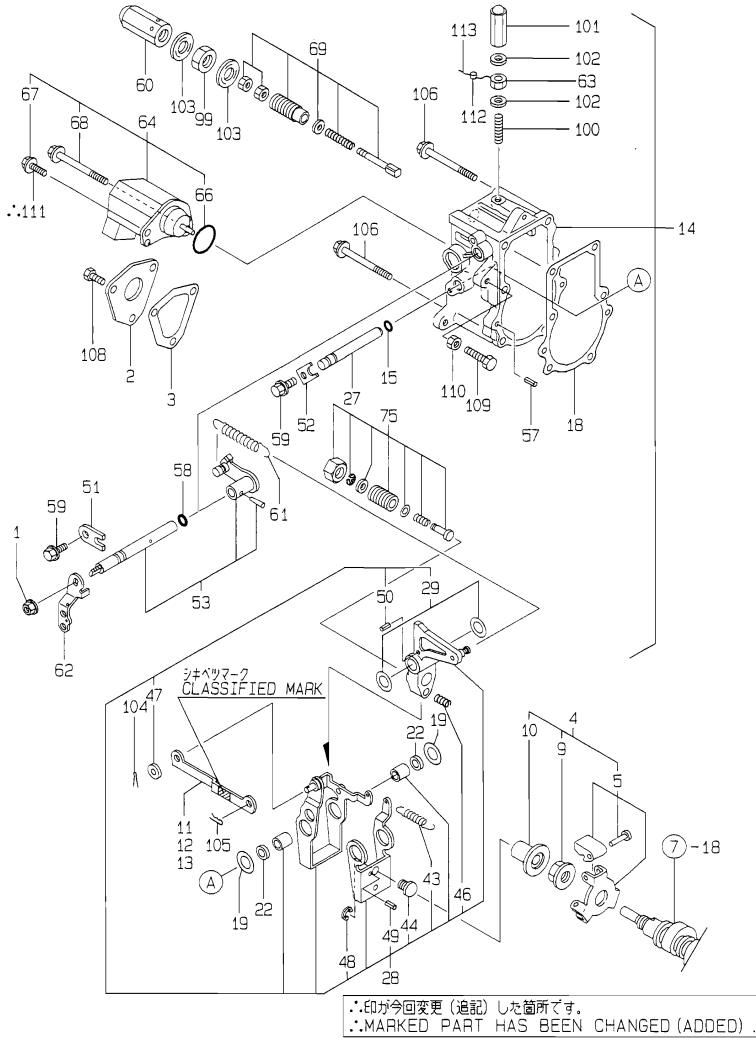
(F)=

Q'ty

I R

Y00D5000
3TNE68-MY

発行No. 000Y00D5000-1
発行人月 : 1996. 6
REVISED : Jun., 1996



No.	Lev.	Parts No.	Description	Q'ty						I	R
				(A)	(B)	(C)	(D)	(E)	(F)		
105	1	22360-060000	PIN, SNAP 6	1							
106	1	26106-060702	BOLT, M6X 70 PLATED	5							
107	1	26106-060952	BOLT, M6X 95 PLATED	1							
108	1	26116-050102	BOLT, M5X 10 PLATED	3							
109	1	26116-060304	BOLT, M6X 30 PLATED	1							
110	1	26756-060002	NUT, LOCK M6	1							
111	1	121465-59950	BOLT, M6X16	1							W
(A=FROM 1ST)											

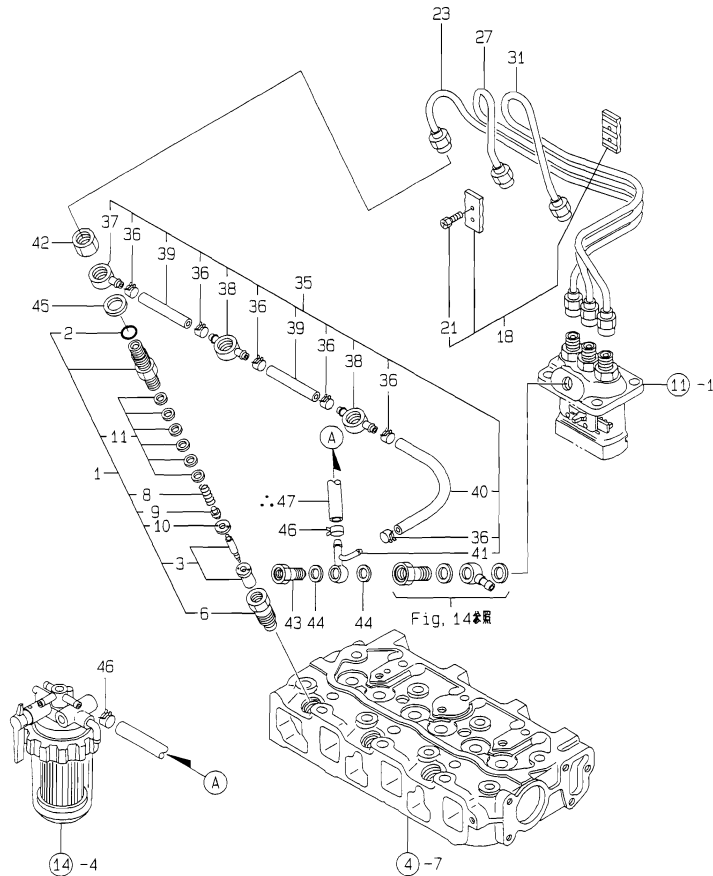
Remarks

(1) SELECTIVE PARTS : CERTAIN THE CLASSIFICATION MARK, THEN PLACE YOUR ORDER.(REF. TO ILLUSTRATION)

Fig.13. FUEL INJECTION VALVE

Y0005000
3TNE68-MY

発行No. 000Y0005000-1
更新年月 : 1996. 6
REVISED : Jun. 1996



∴印が今回変更 (追加) した箇所です。
∴MARKED PART HAS BEEN CHANGED (ADDED).

(A)=3TNE68-MY

(B)=

(C)=

(D)=

(E)=

(F)=

No.	Lev.	Parts No.	Description	Qty						I	R
				(A)	(B)	(C)	(D)	(E)	(F)		
1	1	719620-53700	VALVE ASSY,INJECTION	3							
2	2	129155-51580	O-RING	3							G
2-1	2	129155-61830	O-RING, S10	3							R G
(A=E09102)											
3	2	119620-53000	VALVE ASSY,INJECTION	3							
6	2	119620-53080	NUT, NOZZLE	3							
8	2	119620-53120	SPRING, NOZZLE	3							
9	2	114250-53130	SEAT, SPRING	3							
10	2	119620-53140	SPACER, VALVE STOP	3							
11	2	114250-53400	SHIM SET	3							
18	1	129150-59120	RETAINER, PIPE	1							
21	2	129150-59131	BOLT, M4X14	2							
23	1	119225-59810	PIPE ASSY, INJECTION	1							
23-1	1	119209-59810	PIPE ASSY, INJECTION	1							F 1
(A=*1996.04)											
27	1	119260-59820	PIPE ASSY, INJECTION	1							
27-1	1	119209-59820	PIPE ASSY, INJECTION	1							F 1
(A=*1996.04)											
31	1	119260-59830	PIPE ASSY, INJECTION	1							
31-1	1	119209-59830	PIPE ASSY, INJECTION	1							F 1
(A=*1996.04)											
35	1	119642-59540	PIPE ASSY, RETURN	1							
36	2	124066-59100	CLIP, HOSE 8	6							
37	2	119260-59520	JOINT	1							
38	2	119260-59530	JOINT	2							
39	2	105025-59550	PIPE, FUEL RETURN	2							
40	2	119642-59550	PIPE, FUEL RETURN	1							
41	2	119642-59570	JOINT, OVER FLOW	1							
42	1	119620-59700	NUT, NOZZLE	3							
43	1	124550-59820	BOLT, PIPE JOINT M8	1							
44	1	23414-080012	GASKET, 8X1.0	2							
45	1	23414-140000	GASKET, 14X1.0	3							G
46	1	124766-59050	CLIP, HOSE 12	2							
47	1	119225-59560	PIPE, FUEL	1							W
(A=FROM 1ST)											

Remarks

(G) THESE PARTS ARE SOLD BY FIG.18,

REF.NO.1.

(1) REF.NO.23-1,27-1 & 31-1
INTERCHANGEABLE BY SET.

Fig.14. FUEL LINE

(A)=3TNE68-MY

(B)=

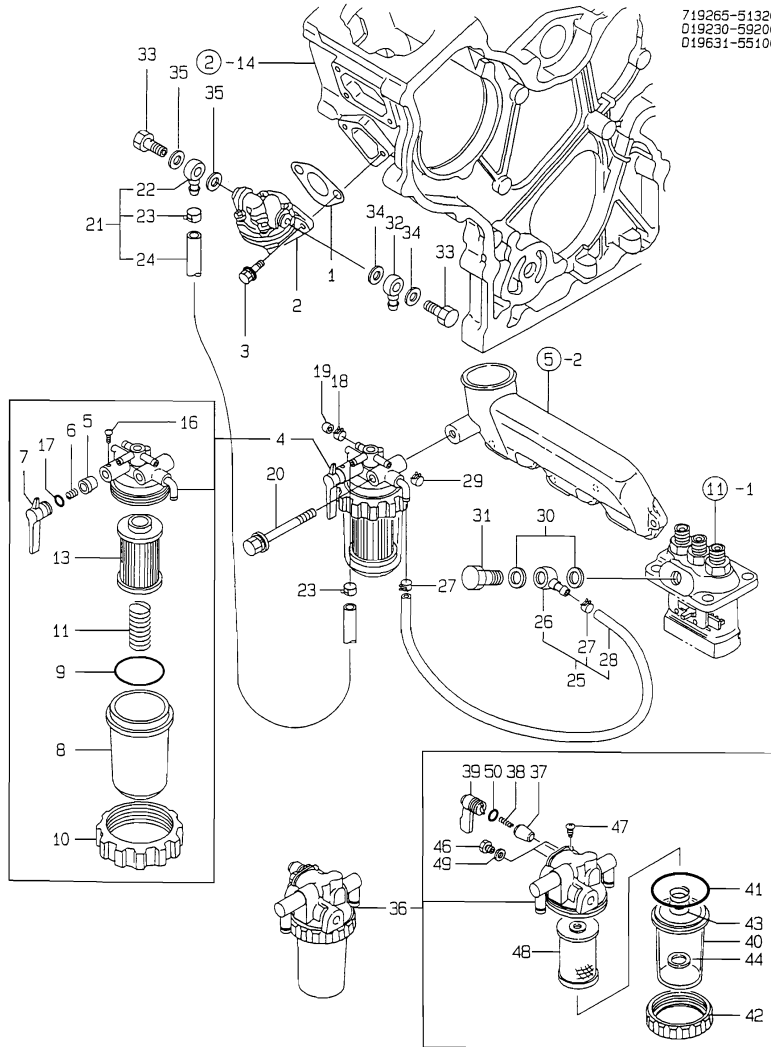
(C)=

(D)=

(E)=

(F)=

Y00D5000
3TNE68-MY



719265-51320
019230-59200
019631-55100

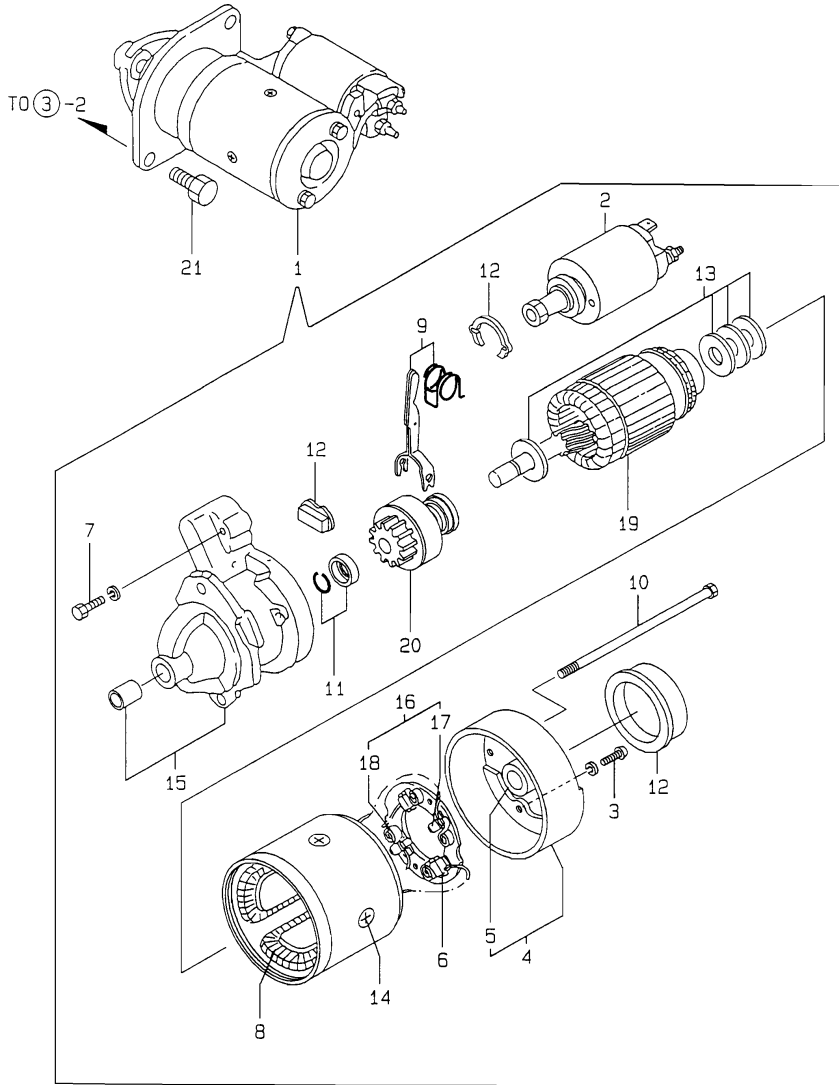
No.	Lev.	Parts No.	Description	Q'ty						I	R
				(A)	(B)	(C)	(D)	(E)	(F)		
1	1	121520-01851	GASKET	1							G
2	1	119600-52021	PUMP ASSY, FUEL FEED	1							
3	1	26106-060162	BOLT, M6X 16 PLATED	2							
4	1	119632-55620	FILTER ASSY, FUEL	1							
5	2	104200-55321	VALVE, TAPER	1							
6	2	104200-55330	SPRING, VALVE	1							
7	2	119810-55340	LEVER	1							
8	2	121254-55510	COVER	1							
9	2	102103-55520	O-RING	1							
10	2	110250-55610	RING, RETAINING	1							
11	2	121250-55620	SPRING	1							
13	2	124550-55700	FILTER, FUEL L=90	1							
16	2	104200-55750	SCREW, M4	1							
17	2	24311-240100	O-RING, 1AP10A	1							
18	1	124066-59100	CLIP, HOSE 8	1							
19	1	129150-59580	CAP	1							
20	1	26014-080702	BOLT, M8X 70	1							
21	1	119230-59020	PIPE ASSY, FUEL	1							
22	2	104264-59030	JOINT, PIPE 8	1							
23	2	124766-59050	CLIP, HOSE 12	2							
24	2	121256-59080	PIPE, FUEL	1							
25	1	119230-59031	PIPE ASSY, FUEL	1							
26	2	101304-59020	JOINT, PIPE 12	1							
27	2	124766-59050	CLIP, HOSE 12	2							
28	2	119230-59080	PIPE, FUEL D12X185	1							
29	1	124766-59050	CLIP, HOSE 12	1							
30	1	104200-59170	GASKET, 12	2							G
31	1	119650-59200	BOLT, PIPE JOINT M12	1							
32	1	104264-59030	JOINT, PIPE 8	1							
33	1	105582-59150	BOLT, PIPE JOINT	2							
34	1	22190-080002	WASHER, SEAL 6	2							
35	1	22190-080002	WASHER, SEAL 6	2							
36	1	129335-55700	SEPARATOR ASSY,WATER	1							
37	2	104200-55321	VALVE, TAPER	1							
38	2	104200-55330	SPRING, VALVE	1							
39	2	104200-55341	HANDLE	1							
40	2	124064-55510	COVER	1							
41	2	102103-55520	O-RING	1							
42	2	110250-55610	RING, RETAINING	1							
43	2	121257-55720	SPRING	1							
44	2	121257-55731	FLOAT	1							
46	2	101720-55750	PLUG, 6	2							
47	2	104200-55750	SCREW, M4	1							
48	2	171081-55910	SCREEN	1							
49	2	23418-060000	GASKET, 6X1.0	2							
50	2	24311-240100	O-RING, 1AP10A	1							

Remarks
(G) THESE PARTS ARE SOLD BY FIG.18,
REF.NO.1.

Fig.15. STARTING MOTOR

Y0005000
3TNE68-MY

D19631-77100



(A)=3TNE68-MY
(B)=
(C)=

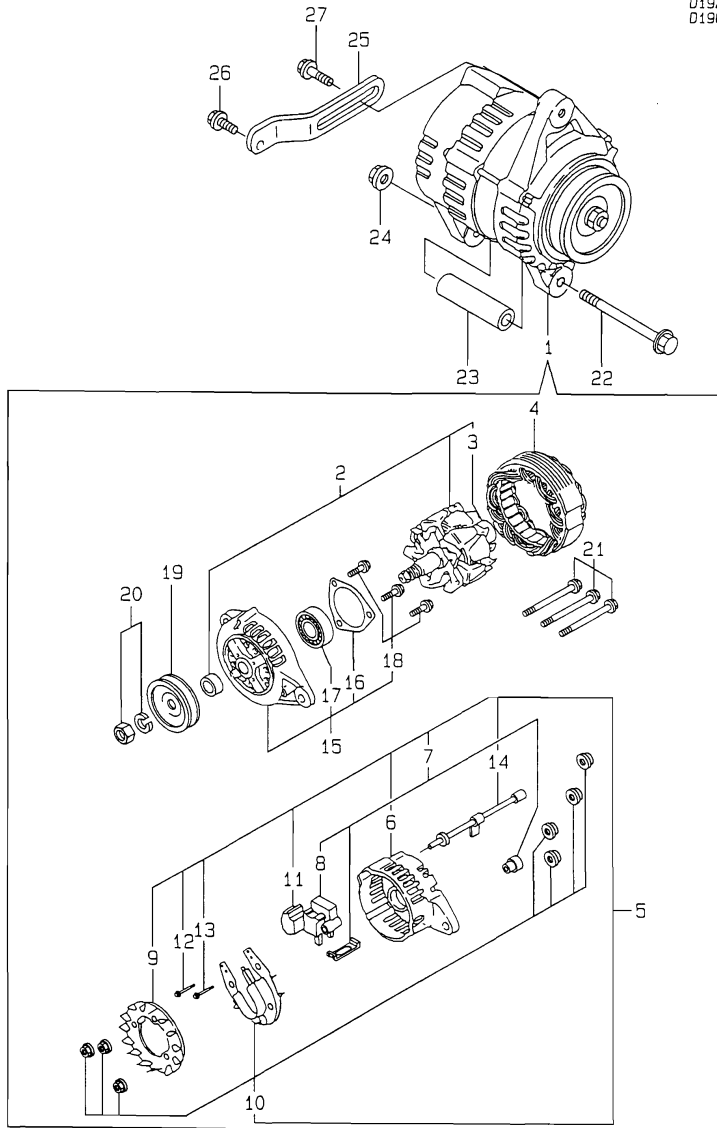
(D)=
(E)=
(F)=

No.	Lev.	Parts No.	Description	Q'ty						I	R
				(A)	(B)	(C)	(D)	(E)	(F)		
1	1	119631-77010	STARTER	1							
2	2	X2114275070	SWITCH, MAGNETIC	1							
3	2	X2114283500	SCREW SET	1							
4	2	X2114430010	COVER ASSY, REAR	1							
5	3	X2114535200	METAL, STARTER	1							
6	2	X2114531200	BRUSH (+)	2							
7	2	X2114586700	BOLT M6X 37	2							
8	2	X2114631090	COIL ASSY, FIELD	1							
9	2	X2114660130	LEVER KIT, SHIFT	1							
10	2	X2114680050	BOLT, THROUGH	2							
11	2	X2114715500	STOPPER SET	1							
12	2	X2114780060	COVER ASSY, DUST	1							
13	2	X2114811000	WASHER KIT, THRUST	1							
14	2	X2114821500	SCREW SET	1							
15	2	X2114966130	CASE ASSY, GEAR	1							
16	2	X2114990010	HOLDER ASSY, BRUSH	1							
17	3	X2114831300	BRUSH (-)	1							
18	3	X2114931400	SPRING, BRUSH	3							
19	2	124190-77110	ARMATURE ASSY	1							
20	2	124190-77760	PINION ASSY	1							
21	1	26116-120252	BOLT, M12X 25 PLATED	2							

Fig.16. GENERATOR

Y00D5000
3TNE68-MY

D19285-77210
D19660-77310



(A)=3TNE68-MY

(B)=

(C)=

(D)=

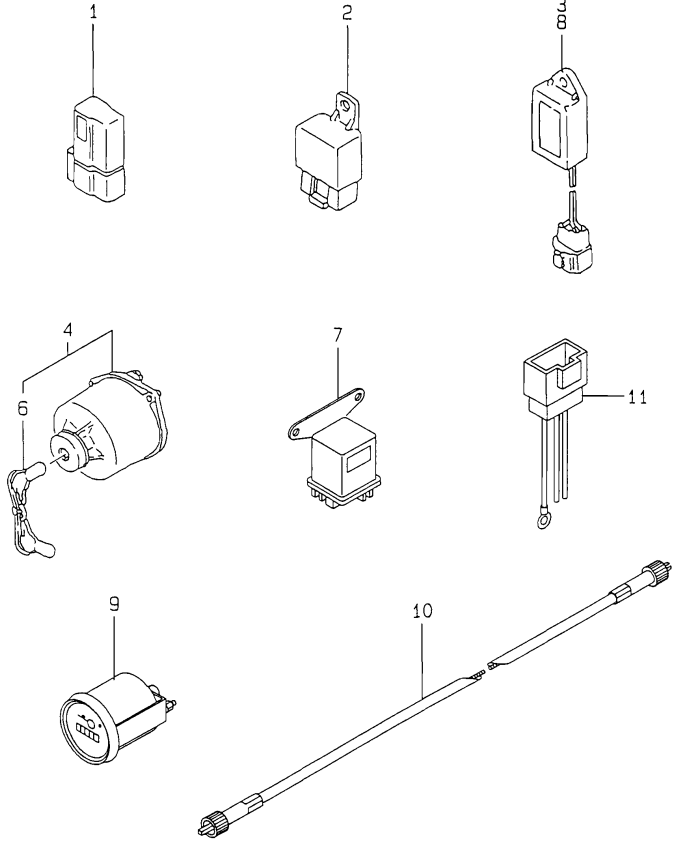
(E)=

(F)=

No.	Lev.	Parts No.	Description	Q'ty						I	R
				(A)	(B)	(C)	(D)	(E)	(F)		
1	1	119836-77200	GENERATOR	1							
2	2	119836-77700	ROTOR ASSY	1							
3	3	119836-77850	BALL BEARING	1							
4	2	119836-77710	STATOR ASSY	1							
5	2	119836-77721	COVER ASSY, REAR	1							
6	3	119836-77730	COVER, REAR	1							
7	3	119836-77741	BRUSH ASSY,REGULATOR	1							
8	4	119836-77750	BRUSH ASSY	1							
9	3	119836-77760	GUIDE, FAN SIDE	1							
10	3	119836-77770	DIODE ASSY	1							
11	3	119836-77780	CONDENSER	1							
12	3	119836-77871	BOLT (1)	1							
13	3	119836-77880	BOLT (2)	1							
14	3	119836-77890	WIRE ASSY, LEAD	1							
15	2	119836-77790	COVER ASSY, FRONT	1							
16	3	119836-77800	RETAINER, BEARING	1							
17	3	119836-77840	BALL BEARING	1							
18	3	119836-77860	SCREW KID	1							
19	2	119836-77810	PULLEY	1							
20	2	119836-77820	NUT ASSY, PULLEY	1							
21	2	119836-77830	BOLT, THROUGH	1							
22	1	26106-081052	BOLT, M8X105 PLATED	1							
23	1	129150-77340	SPACER	1							
24	1	26366-080002	NUT, M8	1							
25	1	119660-77330	ADJUSTER	1							
26	1	26106-080162	BOLT, M8X 16 PLATED	1							
27	1	26014-080252	BOLT, M8X 25	1							

Fig.17. ELECTRIC PARTS

Y00D5000
3TNE68-MY



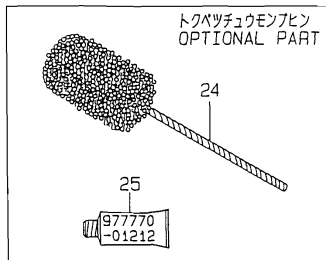
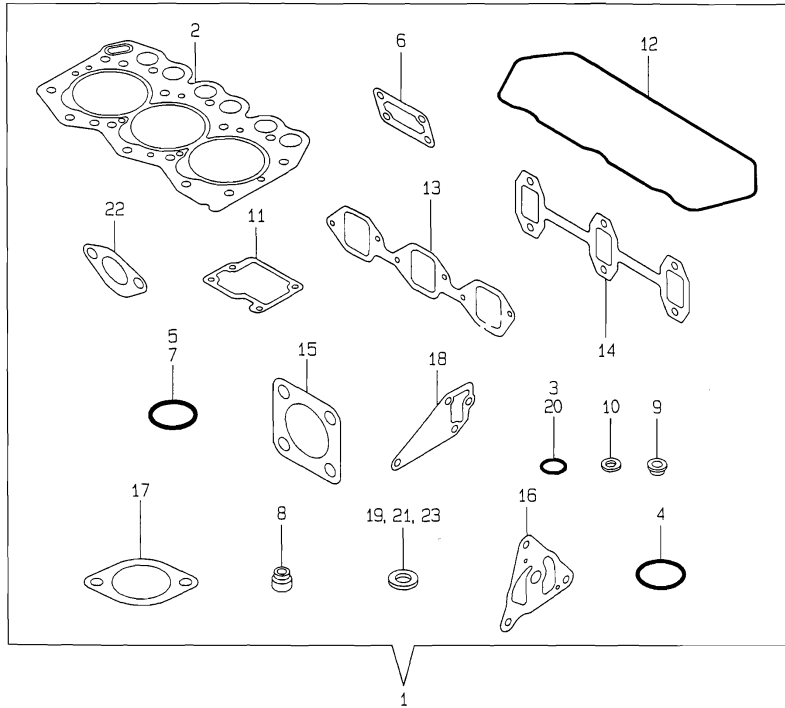
(A)=3TNE68-MY
(B)=
(C)=

(D)=
(E)=
(F)=

No.	Lev.	Parts No.	Description	Q'ty						I	R
				(A)	(B)	(C)	(D)	(E)	(F)		
1	1	119643-66900	DIODE	1							
2	1	129136-77100	RELAY, SAFETY	2							
2-1	1	129136-77100	RELAY, SAFETY	1							K
(A=FROM 1ST)											
3	1	119632-77920	TIMER	1							
4	1	129115-91250	SWITCH ASSY	1							
6	2	129115-91270	KEY ASSY	1							
7	1	119650-77910	RELAY ASSY, GLOW	1							
8	1	128300-77920	TIMER	1							
9	1	171014-91101	TACHOMETER	1							
10	1	124701-91140	CABLE, L=985	1							
11	1	119285-77910	CONNECTOR	1							

Fig.18. GASKET SET

Y00D5000
3TNE68-MY



(A)=3TNE68-MY

(B)=

(C)=

(D)=

(E)=

(F)=

No.	Lev.	Parts No.	Description	Q'ty						I	R
				(A)	(B)	(C)	(D)	(E)	(F)		
1	1	719265-92620	GASKET SET	1							1
2	2	119265-01340	GASKET, HEAD	1							
2-1	2	119265-01341	GASKET, HEAD	1							N
(A=*1996.07)											
3	2	24311-000120	O-RING, 1AP12.0	5							
4	2	24311-000320	O-RING, 1AP32.0	2							
5	2	24341-000240	O-RING, 1AS24.0	1							
6	2	119660-01562	GASKET	1							
7	2	24311-000180	O-RING, 1AP18.0	1							
8	2	119260-11340	SEAL, VALVE STEM	6							
9	2	119600-11450	PROTECTOR, NOZZLE	3							
10	2	119600-11460	GASKET, NOZZLE	6							
11	2	119260-03031	GASKET	1							
12	2	119260-11310	GASKET, BONNET	1							
13	2	119260-12111	GASKET, MANIFOLD	1							
14	2	119260-13110	GASKET	1							
15	2	124701-11911	GASKET, SILENCER	2							
16	2	119660-32020	GASKET, PUMP	1							
17	2	129350-49541	GASKET	1							
18	2	119260-42020	GASKET, WATER PUMP	1							
19	2	124465-44950	GASKET, 16	2							
20	2	129155-51580	O-RING	3							
20-1	2	129155-61830	O-RING, S10	3							R
(A=E09102)											
21	2	23414-140000	GASKET, 14X1.0	3							
22	2	121520-01851	GASKET	1							
23	2	104200-59170	GASKET, 12	2							
24	1	129400-92400	HONE	1							1
25	1	977770-01212	GASKET, LIQUID	1							1

Remarks

(1) OPTIONAL PART.

Parts No. Index

Parts No.	Fig. No.	Ref. No.
101304-59020	14	26
101720-55750	14	46
102103-55520	14	9
		41
103954-13201	6	10
104200-55321	14	5
		37
104200-55330	14	6
		38
104200-55341	14	39
104200-55750	14	16
		47
104200-59170	14	30
	18	23
104264-59030	14	22
		32
105010-11230	4	35
		39
105025-59550	13	39
105546-51330	11	25
105582-59150	14	33
110250-55610	14	10
		42
114250-11120	4	19
114250-11180	4	20
114250-53130	13	9
114250-53400	13	11
119209-59810	13	23 -1
119209-59820	13	27 -1
119209-59830	13	31 -1
119225-14200	7	18
119225-35300	9	16
119225-51100	11	4
119225-51300	11	22
119225-59560	13	47
119225-59810	13	23
119230-59020	14	21
119230-59031	14	25
119230-59080	14	28
119232-13500	6	8
119232-13510	6	11
119232-61540	12	43
119256-42290	10	16
119260-01200	1	23
119260-01490	2	14
119260-01510	2	17
119260-01590	2	1
119260-01770	3	13
119260-02020	1	6
119260-02410	1	16

Parts No.	Fig. No.	Ref. No.
119260-03020	4	49
119260-03031	4	50
	18	11
119260-07900	4	4
119260-11100	4	17
119260-11110	4	18
119260-11200	4	27
119260-11240	4	28
119260-11260	4	31
		31 -1
119260-11270	4	32
119260-11280	4	33
119260-11310	4	53
	18	12
119260-11340	4	23
	18	8
119260-11370	4	24
119260-11800	4	11
119260-12100	5	2
119260-12111	5	1
	18	13
119260-13100	6	1
119260-13110	6	2
	18	14
119260-14100	7	7
119260-14200	7	1
119260-14400	7	2
119260-14580	7	3
119260-21200	8	5
119260-23910	8	29
119260-25100	7	11
119260-32000	9	1
119260-35081	9	25
119260-42020	10	13
	18	18
119260-59520	13	37
119260-59530	13	38
119260-59820	13	27
119260-59830	13	31
119260-66010	12	61
119265-01340	1	24
	18	2
119265-01341	1	24 -1
	18	2 -1
119265-11260	4	31 A
119265-11700	4	7
119265-21590	8	12
119265-21650	8	8
119265-21700	8	1
119265-22090	8	15

Parts No.	Fig. No.	Ref. No.
119265-22300	8	23
119265-22500	8	17
119265-22601	8	15 -1
119265-23100	8	25
119265-23200	8	30
119265-34820	9	14
119265-42001	10	1
119265-42002	10	1 -1
119265-61200	12	14
119265-61510	12	28
119285-66080	12	53
119285-66500	12	64
119285-77910	17	11
119305-35150	9	15
119332-49020	10	33
119454-01721	3	11
119600-01600	3	2
119600-11450	4	25
	18	9
119600-11460	4	26
	18	10
119600-52021	14	2
119600-61100	12	4
119600-61200	12	5
119600-61540	12	44
119600-61541	12	44 -1
119600-61900	12	51
119600-66530	12	69
119600-66700	12	75
119600-66840	12	101
119620-01620	3	6
119620-01750	3	4
119620-01800	2	4
119620-01950	2	23
119620-02450	7	4
119620-11350	4	43
119620-11390	4	54
119620-21941	8	10
119620-25912	7	13
119620-42350	10	17
119620-51170	11	7
119620-51180	11	8
119620-51190	11	9
119620-51250	11	10
119620-51340	11	26
119620-51350	11	27
119620-51370	11	28
119620-51450	11	29
119620-51461	11	30
119620-51510	11	32

Parts No.	Fig. No.	Ref. No.
119620-51650	11	34
119620-51660	11	35
119620-51670	11	36
119620-51680	11	37
119620-51700	11	38
119620-53000	13	3
119620-53080	13	6
119620-53120	13	8
119620-53140	13	10
119620-59700	13	42
119620-77820	4	60
119621-21680	8	9
119621-66051	12	62
119623-01950	2	23 -1
119631-77010	15	1
119632-12211	5	13
119632-55620	14	4
119632-77920	17	3
119642-59540	13	35
119642-59550	13	40
119642-59570	13	41
119643-66900	17	1
119650-59200	14	31
119650-77910	17	7
119655-44500	10	30
119655-44580	10	31 A
119655-44610	10	31 B
119660-01551	2	20
119660-01562	2	21
	18	6
119660-01570	2	22
119660-01640	3	7
119660-01821	7	17
119660-01911	2	5
119660-25022	7	9
119660-25052	7	10
119660-32020	9	11
	18	16
119660-51500	11	31
119660-51530	11	33
119660-61052	12	18
119660-61060	12	2
119660-61071	12	3
119660-61121	12	11
119660-61140	12	12
119660-61150	12	13
119660-61300	12	9
119660-61341	12	10
119660-61460	12	19
119660-61491	12	27

Parts No. Index

Parts No.	Fig. No.	Ref. No.
119660-61651	12	46
119660-61901	12	52
119660-77330	16	25
119810-55340	14	7
119836-77200	16	1
119836-77700	16	2
119836-77710	16	4
119836-77721	16	5
119836-77730	16	6
119836-77741	16	7
119836-77750	16	8
119836-77760	16	9
119836-77770	16	10
119836-77780	16	11
119836-77790	16	15
119836-77800	16	16
119836-77810	16	19
119836-77820	16	20
119836-77830	16	21
119836-77840	16	17
119836-77850	16	3
119836-77860	16	18
119836-77871	16	12
119836-77880	16	13
119836-77890	16	14
119858-12070	5	12
119865-21600	8	14
121111-21501	8	11
121120-01620	3	3
121250-44901	10	27
121250-55620	14	11
121254-55510	14	8
121256-44600	10	41
121256-59080	14	24
121257-55720	14	43
121257-55731	14	44
121400-01640	3	14
121450-01560	2	18
121450-42450	10	26
121450-44510	10	35
121450-44530	10	37
121465-12510	5	5
121465-59950	12	111
121470-44540	10	40
121520-01851	14	1
	18	22
121520-34810	9	13
121522-59100	10	43
121550-49111	10	25
121575-66830	12	100

Parts No.	Fig. No.	Ref. No.
124060-01050	1	5
124064-12680	5	8
124064-12690	5	9
124064-55510	14	40
124066-59100	13	36
	14	18
124085-02220	3	9
124160-01751	2	12
	4	94
124160-11360	4	46
124160-39450	9	28
124190-77110	15	19
124190-77760	15	20
124251-44740	10	18
124450-44550	10	42
124450-44560	10	38
124450-44590	10	31
124465-44950	10	28
	29	29
	18	19
124550-55700	14	13
124550-59820	13	43
124550-66370	12	63
124701-11911	6	9
	18	15
124701-91140	17	10
124766-59050	10	44
	13	46
	14	23
		27
		29
124772-66750	12	99
124970-12500	5	4
124970-12640	5	6
124970-12660	5	7
124970-12700	5	10
128300-77920	17	8
129100-01580	3	1
	8	2
129100-61930	12	60
129115-91250	17	4
129115-91270	17	6
129136-77100	17	2
		2 -1
129150-35350	9	24
129150-49080	10	46
129150-49100	10	45
129150-59120	13	18
129150-59131	13	21
129150-59580	14	19

Parts No.	Fig. No.	Ref. No.
129150-77340	16	23
129150-91400	2	29
129155-51280	12	15
129155-51580	13	2
	18	20
129155-61480	12	22
129155-61830	13	2 -1
	18	20 -1
129335-55700	14	36
129350-49530	10	21
129350-49541	10	22
	18	17
129350-49800	10	23
129400-92400	18	24
129795-77800	4	59
171014-91101	17	9
171056-49120	10	14
171081-55910	14	48
171126-12580	5	11
171301-49010	10	32
171353-44760	10	19
174307-51700	12	29
194990-22050	2	27
	6	7
	12	1
22117-040000	12	47
22137-040000	11	43
22190-060003	12	102
22190-080002	14	34
		35
22190-120002	12	103
22217-040000	11	44
22217-050000	4	55
22242-000100	4	42
22242-000200	7	15
22252-000200	8	24
22272-000040	12	48
22351-020004	12	49
22351-030014	12	50
22351-040010	2	19
	12	57
22351-060012	4	61
22360-040000	12	104
22360-060000	12	105
22512-040120	7	8
		22
	8	6
23000-060000	5	14
23010-038000	10	34
23065-070180	10	39

Parts No.	Fig. No.	Ref. No.
23065-120500	4	1 -1
23414-080012	13	44
23414-140000	13	45
	18	21
23418-060000	14	49
23871-020000	4	14
23871-030000	4	14 -1
24101-062034	7	24
24102-063034	7	23
24311-000120	2	6
	4	58
	9	26
	18	3
24311-000180	3	16
	18	7
24311-000210	10	11
24311-000320	2	13
	4	95
	18	4
24311-240100	14	17
		50
24341-000070	12	58
24341-000240	2	31
	18	5
24341-000280	12	66
26014-060122	10	31 E
26014-060352	10	20
26014-080252	16	27
26014-080702	14	20
26022-040082	11	45
26106-060102	3	17
	12	59
26106-060122	1	25
	7	16
	9	27
26106-060162	2	7
		32
	7	25
	12	67
	14	3
26106-060202	5	3
26106-060222	3	10
26106-060302	2	8
26106-060352	6	3
26106-060402	2	9
26106-060452	3	18
26106-060502	2	10
26106-060652	2	11
26106-060702	12	106
26106-060952	12	68

Parts No. Index

Parts No.	Fig. No.	Ref. No.
26106-060952	12	107
26106-080142	4	5
		6
26106-080162	16	26
26106-080202	10	24
26106-080452	4	44
	10	15
26106-081052	16	22
26116-050102	12	108
26116-060304	12	109
26116-120252	15	21
26206-100252	3	5
26216-060402	6	4
26216-080222	6	5
26366-060002	2	28
	6	6
26366-080002	4	45
	16	24
26450-060202	9	12
26557-050102	4	57
26587-040102	11	46
26587-080102	7	26
26756-060002	4	37
		41
	12	110
27221-050080	4	15
27221-060100	1	11
27231-400000	1	12
27241-100000	1	13
27241-250000	1	14
27241-300000	1	15
27241-350000	4	16
49934-000136	4	1
714250-11570	4	21
719225-51100	11	1
719260-02800	1	17
719260-02870	1	26
719260-02930	1	20
719260-11520	4	47
719260-11650	4	34
719260-11660	4	38
719260-23600	8	31
719260-23610	8	39
719265-01560	1	1
719265-22900	8	33
719265-22950	8	35
719265-92620	18	1
719620-53700	13	1
977770-01212	2	33
	3	19

Parts No.	Fig. No.	Ref. No.
977770-01212	18	25
X2114275070	15	2
X2114283500	15	3
X2114430010	15	4
X2114531200	15	6
X2114535200	15	5
X2114586700	15	7
X2114631090	15	8
X2114660130	15	9
X2114680050	15	10
X2114715500	15	11
X2114780060	15	12
X2114811000	15	13
X2114821500	15	14
X2114831300	15	17
X2114931400	15	18
X2114966130	15	15
X2114990010	15	16

Parts No.	Fig. No.	Ref. No.
-----------	----------	----------

Parts No.	Fig. No.	Ref. No.
-----------	----------	----------