

OCD10-M49901EN

# Contents

Fig. No.    Fig. Name  
ENGINE 3TNE84-YBB,YBC,YW

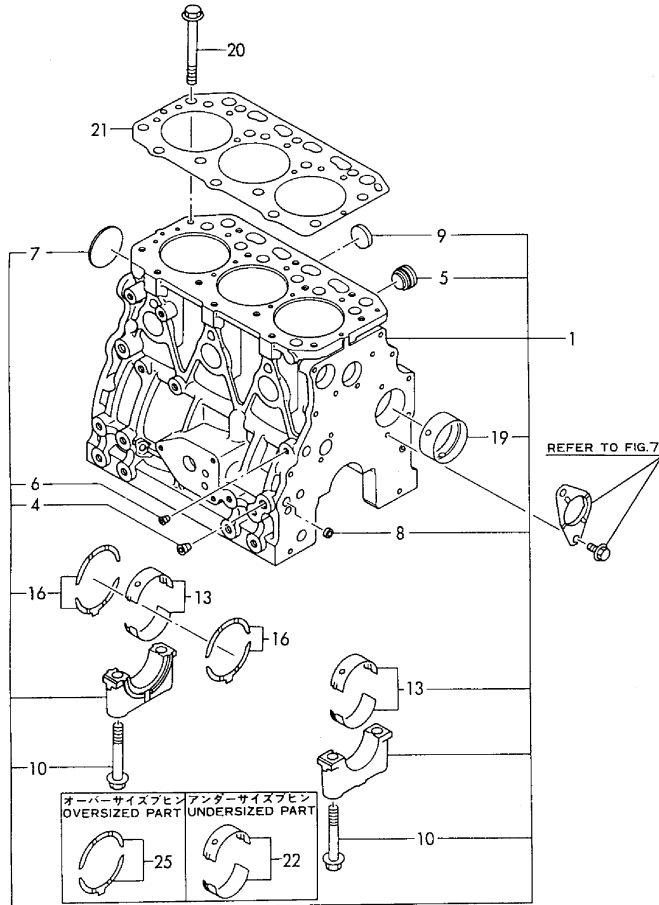
Fig. No.    Fig. Name

1. CYLINDER BLOCK
2. GEAR HOUSING
3. FLYWHEEL HOUSING & L.O SUMP
4. CYLINDER HEAD & BONNET
5. SUCTION MANIFOLD & AIR CLEANER
6. EXHAUST MANIFOLD & SILENCER
7. CAMSHAFT & DRIVING GEAR
8. CRANKSHAFT & PISTON
9. LUB.OIL SYSTEM
10. COOLING WATER SYSTEM
11. FUEL INJECTION PUMP
12. FUEL INJECTION LINE
13. FUEL LINE
14. GOVERNOR
15. ENGINE STOPP DEVICE
16. STARTING MOTOR
17. GENERATOR
18. GASKET SET(OPTIONAL) & TOOL
19. GEAR HOUSING
20. SUCTION MANIFOLD
21. COOLING WATER SYSTEM
22. STARTING MOTOR

# Fig.1. CYLINDER BLOCK

Y00D4991

Fig. 1 シリンダブロック  
CYLINDER BLOCK



(A)=3TNE84-YBB  
(B)=3TNE84-YBC  
(C)=3TNE84-YW

(D)=  
(E)=  
(F)=

No.	Lev.	Parts No.	Description	Qty						I	R
				(A)	(B)	(C)	(D)	(E)	(F)		
1	1	729002-01560	BLOCK ASSY, CYLINDER	1	1	1					
4	2	124160-01910	PLUG, PT1/4	3	3	3					
5	2	171051-01921	PLUG, NPTF1	1	1	1					
6	2	23871-010000	PLUG, R01	1	1	1					
7	2	27231-500000	PLUG 50	1	1	1					
8	2	27241-120000	PLUG, 12	2	2	2					
9	2	27241-300000	PLUG 30	6	6	6					
10	2	129150-02020	BOLT, METAL CAP	8	8	8					
13	2	129001-02800	BEARING, MAIN	4	4	4					1
16	2	129150-02930	BEARING, THRUST	2	2	2					
19	2	129795-02411	BUSH, CAMSHAFT	1	1	1					
20	1	129150-01200	BOLT, HEAD	14	14	14					
21	1	129002-01331	GASKET, HEAD	1	1	1					A
22	1	129150-02870	BEARING, 0.25 US	4	4	4					2
25	1	129150-02940	BEARING, THRUST 0.25	2	2	2					3

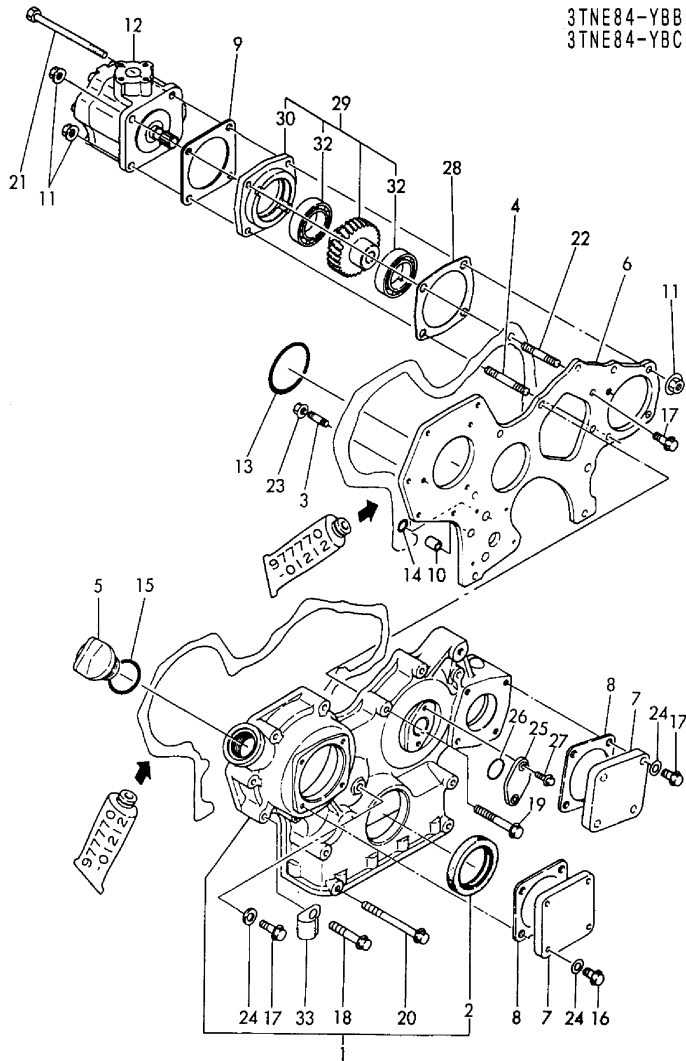
Remarks

- (1) REPAIR PART.
- (2) UNDER-SIZE(U.S=0.25)PART.
- (3) OVER-SIZE(O.S=0.25)PART.
- (A) THESE PART ARE ALSO SOLD BY FIG 18. REF NO.2.

Fig.2. GEAR HOUSING

Y0004991

Fig.2 ギヤケース  
GEAR HOUSING



(A)=3TNE84-YBB  
(B)=3TNE84-YBC  
(C)=3TNE84-YW

(D)=  
(E)=  
(F)=

No.	Lev.	Parts No.	Description	Q'ty						I	R
				(A)	(B)	(C)	(D)	(E)	(F)		
1	1	129100-01590	CASE ASSY, GEAR	1	1						
2	2	129795-01800	SEAL, OIL	1	1						
3	1	121450-01560	STUD, M8X22	3	3						
4	1	129150-01580	STUD, M8X30	1	1						
5	1	124160-01751	COVER, FILLER	1	1						
6	1	129100-01520	FLANGE, GEAR CASE	1	1						
7	1	124240-01871	COVER	2	2						
8	1	124240-01883	GASKET	2	2						A
9	1	124240-01883	GASKET	1	1						A
10	1	129795-01950	PIPE, KNOCK L=18	2	2						
11	1	194990-22050	NUT, M8	4	4						
11-1	1	26366-080002	NUT, M8	4	4						N
(A=E02746) (B=E02748)											
12	1	119462-26010	PUMP ASSY, HYDRAULIC	1	1						
13	1	121850-51960	O-RING	1	1						A
14	1	24311-000160	O-RING, 1AP16.0	2	2						
15	1	24311-000320	O-RING, 1AP32.0	1	1						A
16	1	26106-080122	BOLT, M8X 12 PLATED	4	4						
17	1	26106-080162	BOLT, M8X 16 PLATED	8	8						
18	1	26106-080452	BOLT, M8X 45 PLATED	6	6						
19	1	26106-080552	BOLT, M8X 55 PLATED	3	3						
20	1	26106-080852	BOLT, M8X 85 PLATED	4	4						
21	1	26106-080952	BOLT, M8X 95 PLATED	2	2						
22	1	26216-080402	STUD, M8X 40	1	1						
23	1	26366-080002	NUT, M8	3	3						
24	1	22190-080002	WASHER, SEAL 6	9	9						
25	1	121023-01550	COVER	1	1						
26	1	24341-000240	O-RING, 1AS24.0	1	1						A
27	1	26106-060122	BOLT, M6X 12 PLATED	2	2						
28	1	129150-01881	GASKET	1	1						A
29	1	129150-26000	DRIVE ASSY, PUMP	1	1						
30	2	129150-26050	BRACKET, PUMP	1	1						
32	2	24105-060064	BEARING, BALL 6006Z	2	2						
33	1	129150-03100	RETAINER, PIPE	1	1						

Remarks

(A) THESE PART ARE ALSO SOLD BY FIG  
18. REF NO.2.

Fig.3. FLYWHEEL HOUSING & L.O SUMP

(A)=3TNE84-YBB

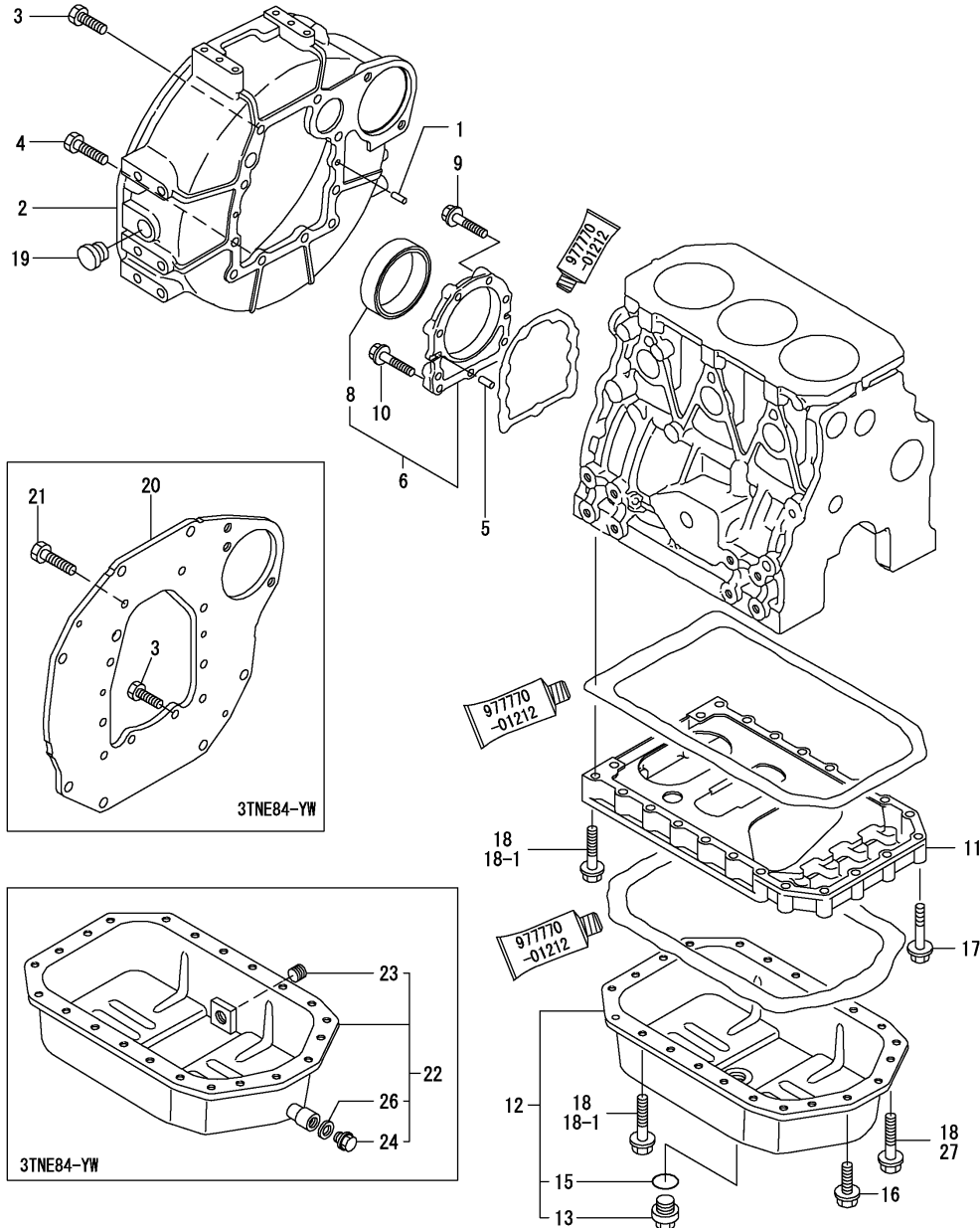
(B)=3TNE84-YBC

(C)=3TNE84-YW

(D)=

(E)=

(F)=

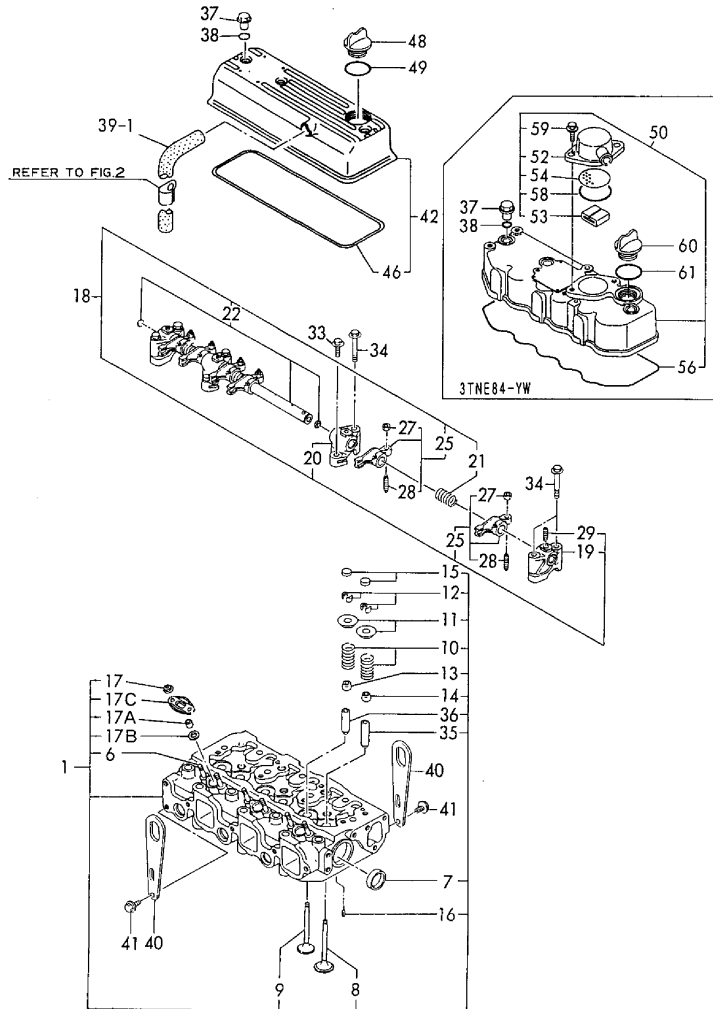


No.	Lev.	Parts No.	Description	Qty						I	R
				(A)	(B)	(C)	(D)	(E)	(F)		
1	1	129100-01580	PIN, M8X16	2	2	2					
2	1	171301-01600	HOUSING, FLYWHEEL	1	1						
3	1	26206-100252	BOLT, M10X 25 PLATED	6	6	4					
4	1	26206-100302	BOLT, M10X 30 PLATED	4	4						
5	1	129100-01580	PIN, M8X16	2	2	2					
6	1	129100-01640	CASE ASSY, OIL SEAL	1	1	1					
8	2	129795-01780	SEAL, OIL	1	1	1					
9	1	26106-080302	BOLT, M8X 30 PLATED	6	6	6					
10	1	26106-080352	BOLT, M8X 35 PLATED	3	3	3					
11	1	129100-01730	SPACER, OIL SUMP	1	1	1					
12	1	729102-01540	SUMP ASSY, OIL	1	1						
13	2	119640-01640	PLUG, DRAIN M22	1	1						
15	2	22190-220002	WASHER, SEAL 22	1	1						
16	1	26106-080162	BOLT, M8X 16 PLATED	4	4	4					
17	1	26106-080252	BOLT, M8X 25 PLATED	2	2	2					
18	1	26106-080452	BOLT, M8X 45 PLATED	20	20	20					
18-1	1	26106-080452	BOLT, M8X 45 PLATED	16	16	16					K
(A=FROM 1ST) (B=FROM 1ST) (C=FROM 1ST)											
19	1	119620-01750	CAP	1	1						
20	1	129150-01600	FLANGE, MOUNTING			1					
21	1	26206-100202	BOLT, M10X 20 PLATED			6					
22	1	129112-01770	SUMP ASSY, OIL			1					
23	2	129137-01640	PLUG, M22			1					
24	2	105425-01690	PLUG, 16			1					
26	2	22190-160002	WASHER, SEAL 16			1					
27	1	26106-080502	BOLT, M8X 50 PLATED	4	4	4					W
(A=FROM 1ST) (B=FROM 1ST) (C=FROM 1ST)											

Fig.4. CYLINDER HEAD & BONNET

Y00D4991

Fig.4 シリンダヘッド&ボンネット  
CYLINDER HEAD & BONNET



(A)=3TNE84-YBB  
(B)=3TNE84-YBC  
(C)=3TNE84-YW

(D)=  
(E)=  
(F)=

No.	Lev.	Parts No.	Description	Qty						I	R
				(A)	(B)	(C)	(D)	(E)	(F)		
1	1	129001-11700	HEAD ASSY, CYLINDER	1	1	1					
6	2	26216-060202	STUD, M6X 20	6	6	6					
7	2	27241-400000	PLUG, 40	2	2	2					
8	2	129100-11100	VALVE, INTAKE	3	3	3					
9	2	129100-11110	VALVE, EXHAUST	3	3	3					
10	2	129795-11120	SPRING, VALVE	6	6	6					
11	2	129795-11180	RETAINER, SPRING	6	6	6					
12	2	103338-11190	COTTER	6	6						
12-1	2	27310-080000	COTTER 8	6	6	6					R
		(A=EXXX) (B=EXXX)									
13	2	121400-11340	SEAL, VALVE STEM	3	3	3					
14	2	124460-11340	SEAL, VALVE STEM	3	3	3					
15	2	129150-11370	CAP, VALVE	6	6	6					
16	2	22351-060012	PIN, SPRING 6.0X12	2	2	2					
17	2	26366-060002	NUT, M6	6	6	6					
17A	2	119625-11871	PROTECTOR, NOZZLE	3	3	3					W
		(A=FROM 1ST) (B=FROM 1ST)									
17B	2	119625-11880	SEAT, NOZZLE	3	3	3					W
		(A=FROM 1ST) (B=FROM 1ST)									
17C	2	119625-11900	RETAINER, NOZZLE	3	3	3					W
		(A=FROM 1ST) (B=FROM 1ST)									
18	1	129155-11241	SHAFT ASSY, ROCKER	1	1	1					
19	2	129155-11260	SUPPORT, ROCKER ARM	2	2	2					
20	2	129155-11270	SUPPORT, ROCKER ARM	2	2	2					
21	2	129150-11280	SPRING	3	3	3					
22	2	129150-11290	SHAFT, ROCKER ARM	1	1	1					
25	2	729402-11650	ARM ASSY, ROCKER	6	6	6					
27	3	129150-11750	NUT, M8	6	6	6					
28	3	129150-11230	SCREW, VALVE ADJUST	6	6	6					
29	2	26226-080182	STUD, M8X 18	3	3	3					
30	1	119625-11871	PROTECTOR, NOZZLE	3	3						M
31	1	119625-11880	SEAT, NOZZLE	3	3						M
32	1	119625-11900	RETAINER, NOZZLE	3	3						M
33	1	26106-080252	BOLT, M8X 25 PLATED	2	2	2					
34	1	26106-080502	BOLT, M8X 50 PLATED	6	6	6					
35	1	120130-11860	GUIDE, VALVE	3	3	3					1
36	1	129150-11810	GUIDE, VALVE	3	3	3					1
37	1	124160-11360	KNOB	3	3	3					
38	1	24311-000120	O-RING, 1AP12.0	3	3	3					A
39	1	129001-11340	PIPE, BREATHER	1	1						M
39-1	1	23065-160800	PIPE, 16X 800	1	1						
40	1	124736-07900	LIFTER	2	2	2					
41	1	26106-080142	BOLT, M8X 14 PLATED	4	4	4					
42	1	129001-11350	BONNET ASSY, HEAD	1	1						
43	2	124160-01751	COVER, FILLER	1	1						M
44	2	24311-000320	O-RING, 1AP32.0	1	1						M
46	2	129001-11310	GASKET, BONNET	1	1						A
48	1	124160-01751	COVER, FILLER	1	1						W
		(A=FROM 1ST) (B=FROM 1ST)									
49	1	24311-000320	O-RING, 1AP32.0	1	1						W A
		(A=FROM 1ST) (B=FROM 1ST)									

Remarks

- (1) REPAIR PART.
- (A) THESE PART ARE ALSO SOLD BY FIG 18. REF NO.2.
- (M) MISPRINT.



# Fig.5. SUCTION MANIFOLD & AIR CLEANER

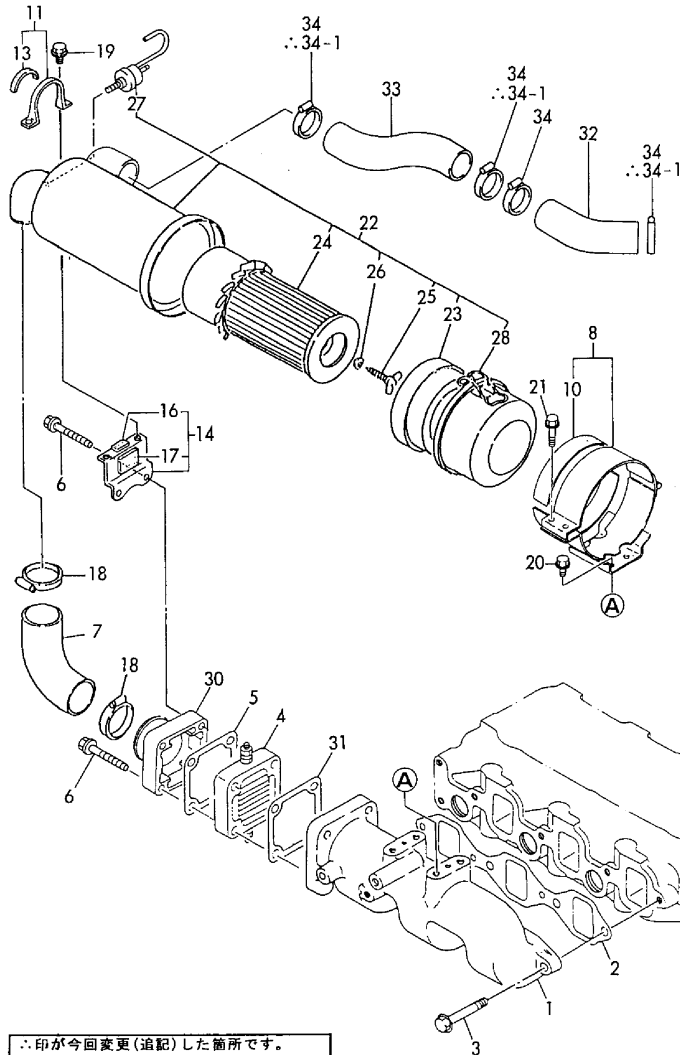
(A)=3TNE84-YBB  
 (B)=3TNE84-YBC  
 (C)=3TNE84-YW

(D)=  
 (E)=  
 (F)=

発行No. 00Y00D4990-1  
 更新年月: 1994. 11  
 REVISED: Nov., 1994

Y00D4991

Fig. 5 吸気マニホールド&エアクリーナ  
 SUCTION MANIFOLD & AIR CLEANER



No.	Lev.	Parts No.	Description	Q'ty						I	R
				(A)	(B)	(C)	(D)	(E)	(F)		
1	1	129122-12100	MANIFOLD, AIR INTAKE	1	1						
2	1	129150-12111	GASKET, MANIFOLD	1	1						A
3	1	26106-080252	BOLT, M8X 25 PLATED	4	4						
4	1	129100-77500	HEATER, AIR 12V	1	1						
5	1	129150-77511	GASKET	1	1						A
6	1	26106-080552	BOLT, M8X 55 PLATED	4	4						
7	1	119840-12210	PIPE, AIR INTAKE	1	1						
8	1	129132-12581	SUPPORT ASSY,CLEANER	1	1						
10	2	119640-12580	SEAT, RUBBER	2	2						
10-1	2	129132-12570	SEAT, RUBBER	2	2						N
		(A=E03711) (B=E03717)									
11	1	129132-12800	BAND, AIR CLEANER	1	1						
13	2	129132-12860	SEAT, RUBBER	1	1						
14	1	129132-12810	SUPPORT, AIR CLEANER	1	1						
16	2	129132-12890	SEAT, RUBBER	1	1						
17	2	129132-12900	DAMPER	1	1						
18	1	23000-060000	CLAMP, 60	2	2						
19	1	26106-060142	BOLT, M6X 14 PLATED	2	2						
20	1	26106-080142	BOLT, M8X 14 PLATED	4	4						
21	1	26106-080252	BOLT, M8X 25 PLATED	2	2						
22	1	129132-12520	CLEANER ASSY, AIR	1	1						
23	2	121120-12541	RETAINER, ELEMENT	1	1						
24	2	121120-18901	ELEMENT	1	1						
25	2	121120-12561	BOLT	1	1						
26	2	121120-12571	WASHER, SEAL	1	1						
27	2	129556-12570	INDICATOR	1	1						
28	2	121120-12531	PAN, DUST	1	1						
30	1	171463-12581	JOINT, MANIFOLD	1	1						
31	1	129100-77510	GASKET	1	1						
32	1	119869-12220	PIPE, AIR INTAKE	1	1						
33	1	129132-12240	PIPE, AIR INTAKE	1	1						
34	1	23000-060000	CLAMP, 60	4	4						
34-1	1	23000-060000	CLAMP, 60	3	3						K
		(A=E02728) (B=E02740)									

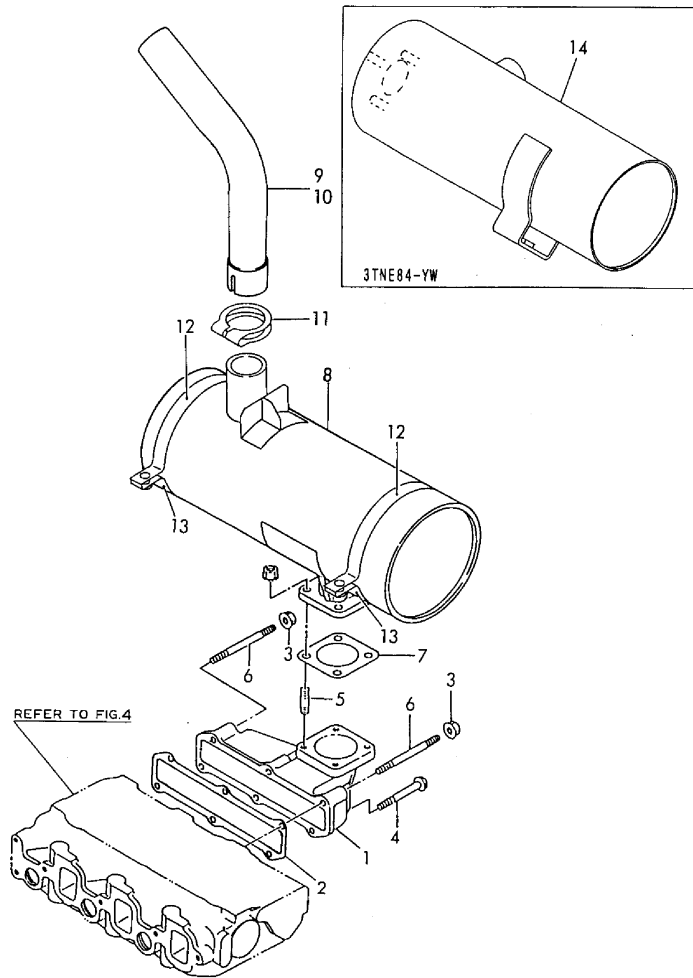
Remarks  
 (A) THESE PART ARE ALSO SOLD BY FIG  
 18. REF NO.2.



Fig.6. EXHAUST MANIFOLD & SILENCER

Y00D4991

Fig.6 ハイキマニホールド&サイレンサ  
EXH. MANIFOLD & SILENCER



(A)=3TNE84-YBB  
(B)=3TNE84-YBC  
(C)=3TNE84-YW

(D)=  
(E)=  
(F)=

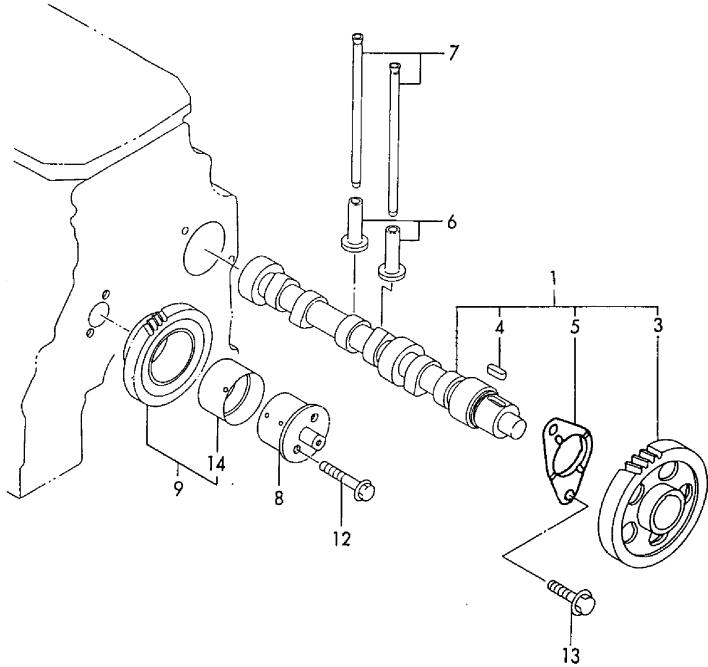
No.	Lev.	Parts No.	Description	Qty						I	R
				(A)	(B)	(C)	(D)	(E)	(F)		
1	1	129001-13100	MANIFOLD, EXHAUST	1	1	1					
2	1	129001-13110	GASKET	1	1	1					A
3	1	194990-22050	NUT, M8	2	2	2					
4	1	26106-080402	BOLT, M8X 40 PLATED	4	4	4					
5	1	26216-080222	STUD, M8X 22	4	4	4					
6	1	26216-080402	STUD, M8X 40	2	2	2					
7	1	124701-11911	GASKET, SILENCER	2	2	1					A
8	1	129132-13500	SILENCER	1	1						
9	1	129132-13551	PIPE	1							
10	1	129132-13561	PIPE		1						
11	1	121120-13580	CLAMP	1	1						
12	1	129111-13670	BAND, SILENCER	2	2						
13	1	129111-13680	BAND, SILENCER	2	2						
14	1	129131-13520	SILENCER			1					

Remarks  
(A) THESE PART ARE ALSO SOLD BY FIG  
18. REF NO.2.

# Fig.7. CAMSHAFT & DRIVING GEAR

Y00D4991

Fig.7 カムシャフト&クドウギヤ  
CAMSHAFT & DRIVING GEAR



(A)=3TNE84-YBB  
(B)=3TNE84-YBC  
(C)=3TNE84-YW

(D)=  
(E)=  
(F)=

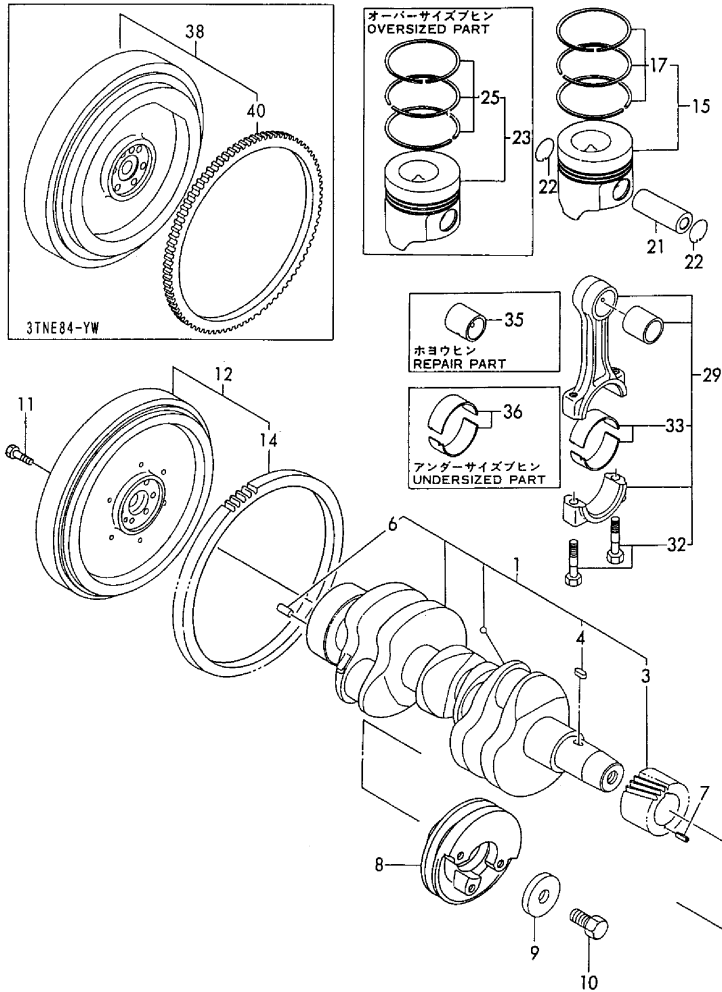
No.	Lev.	Parts No.	Description	Q'ty						I	R
				(A)	(B)	(C)	(D)	(E)	(F)		
1	1	129129-14580	CAMSHAFT ASSY	1	1	1					
3	2	129150-14101	GEAR, CAMSHAFT	1	1	1					
4	2	22512-070140	KEY, 7X 14	1	1	1					
5	2	129150-02450	BEARING, THRUST	1	1	1					
6	1	129150-14200	TAPPET	6	6	6					
7	1	129150-14400	ROD, PUSH L=178	6	6	6					
8	1	129100-25061	SHAFT, IDLE	1	1	1					
9	1	129150-25101	GEAR ASSY, IDLE	1	1	1					
12	1	26106-080452	BOLT, M8X 45 PLATED	2	2	2					
13	1	26106-080162	BOLT, M8X 16 PLATED	2	2	2					
14	1	129150-25920	BUSH, IDLE GEAR	1	1	1					1

Remarks  
(1) REPAIR PART.

# Fig.8. CRANKSHAFT & PISTON

Y00D4991

Fig. 8 クランクシャフト & ピストン  
CRANKSHAFT & PISTON



(A)=3TNE84-YBB  
(B)=3TNE84-YBC  
(C)=3TNE84-YW

(D)=  
(E)=  
(F)=

No.	Lev.	Parts No.	Description	Qty						I	R
				(A)	(B)	(C)	(D)	(E)	(F)		
1	1	129001-21000	CRANKSHAFT ASSY	1	1	1					
3	2	129150-21200	GEAR, CRANKSHAFT	1	1	1					
4	2	22512-070140	KEY, 7X 14	1	1	1					
6	2	129100-01580	PIN, M8X16	1	1	1					
7	1	22351-040010	PIN, SPRING 4.0X10	1	1	1					
8	1	171340-21650	V-PULLEY	1	1	1					
9	1	129795-21661	WASHER	1	1	1					
10	1	121850-21680	BOLT	1	1	1					
11	1	121111-21501	BOLT, FLYWHEEL	6	6	6					
12	1	129128-21590	FLYWHEEL ASSY	1	1						
14	2	119865-21600	GEAR, RING	1	1						
15	1	129002-22081	PISTON ASSY	3	3	3					
17	2	129002-22500	RING SET, PISTON	3	3	3					
21	1	129202-22300	PIN, PISTON D26 L70	3	3	3					
22	1	22252-000260	RING, 26	6	6	6					
23	1	129002-22900	PISTON ASSY, 0.25 OS	3	3	3					1
25	2	129002-22950	RING SET, 0.25 OS	3	3	3					1
29	1	729402-23100	ROD ASSY, CONNECTING	3	3	3					
32	2	121550-23200	BOLT, CONNECTING ROD	6	6	6					
33	2	129150-23600	BEARING, CRANK PIN	3	3	3					
35	1	129100-23910	BEARING, PISTON PIN	3	3	3					2
36	1	129150-23610	BEARING, 0.25 US	3	3	3					3
38	1	171350-21590	FLYWHEEL ASSY				1				
40	2	124550-21600	GEAR, RING				1				

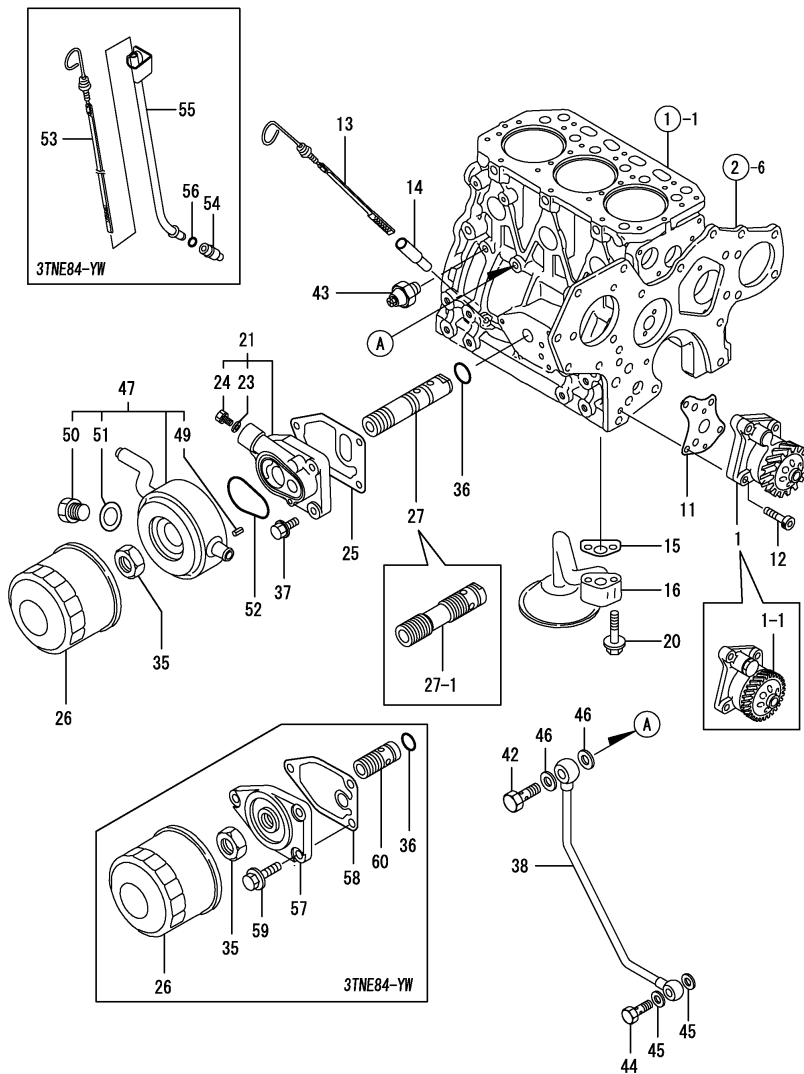
Remarks

- (1) OVER-SIZE(O.S=0.25)PART.
- (2) REPAIR PART.
- (3) UNDER-SIZE(U.S=0.25)PART.

Fig.9. LUB.OIL SYSTEM

(A)=3TNE84-YBB  
 (B)=3TNE84-YBC  
 (C)=3TNE84-YW

(D)=  
 (E)=  
 (F)=



No.	Lev.	Parts No.	Description	Qty						I	R
				(A)	(B)	(C)	(D)	(E)	(F)		
1	1	129150-32000	PUMP ASSY, OIL	1	1						
1-1	1	129001-32001	PUMP ASSY, OIL	1	1	1					S 1
		(A=E01341) (B=E01361)									
11	1	129150-32020	GASKET, PUMP	1	1	1					A
12	1	26450-060252	BOLT, M6X 25	4	4	4					
13	1	129403-34800	DIPSTICK, OIL	1	1						
14	1	121520-34810	GUIDE, DIPSTICK	1	1						
15	1	129150-35041	GASKET	1	1	1					A
16	1	129150-35091	PIPE ASSY, OIL INLET	1	1	1					
20	1	26106-080352	BOLT, M8X 35 PLATED	2	2	2					
21	1	129120-35001	BRACKET ASSY	1	1						
23	2	23414-100000	GASKET, 10X1.0	1	1						
24	2	23881-100002	PLUG, 10	1	1						
25	1	129120-35121	GASKET	1	1						A
26	1	129150-35151	FILTER, D80XL80	1	1	1					
27	1	129030-35300	VALVE ASSY, CONTROL	1	1						
27-1	1	129407-35300	BOLT, FILTER	1	1						S 1
		(A=E01341) (B=E01361)									
35	1	129150-35350	NUT	1	1	1					
36	1	24311-000160	O-RING, 1AP16.0	1	1	1					
37	1	26106-080252	BOLT, M8X 25 PLATED	3	3	3					
38	1	129150-39450	PIPE ASSY, OIL	1	1	1					
42	1	124160-39140	BOLT, PIPE JOINT M10	1	1	1					
43	1	121252-39450	SWITCH, 0.5KG	1	1	1					
44	1	124550-59820	BOLT, PIPE JOINT M8	1	1	1					
45	1	23414-080000	GASKET, 8X1.0	2	2	2					
46	1	23414-100000	GASKET, 10X1.0	2	2	2					
47	1	129120-33001	COOLER ASSY, OIL	1	1						
49	2	129120-33040	PIN	2	2						
50	2	129120-33051	PLUG, DRAIN	1	1						
51	2	129120-33060	GASKET	1	1						
52	1	129120-35110	GASKET	1	1						
53	1	129128-34800	DIPSTICK, OIL							1	
54	1	119260-34810	GUIDE, DIPSTICK							1	
55	1	129136-34820	GUIDE, DIPSTICK							1	
56	1	24311-240100	O-RING, 1AP10A							1	
57	1	129150-35101	BRACKET, STRAINER							1	
58	1	129150-35111	GASKET							1	A
59	1	26106-080202	BOLT, M8X 20 PLATED							3	
60	1	129001-35300	BOLT, FILTER							1	

Remarks  
 (A) THESE PART ARE ALSO SOLD BY FIG  
 18.REF NO.2.  
 (1) REF.NO.1-1 & 27-1 INTERCHANGEABLE  
 BY SET.

# Fig.10. COOLING WATER SYSTEM

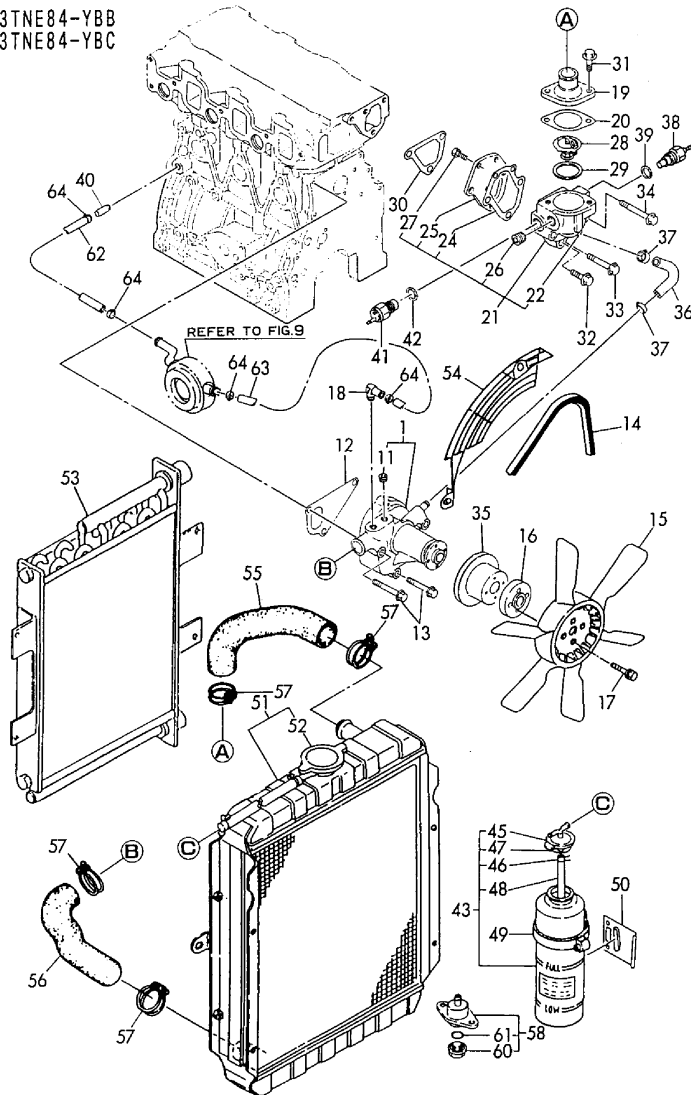
(A)=3TNE84-YBB  
(B)=3TNE84-YBC  
(C)=3TNE84-YW

(D)=  
(E)=  
(F)=

Y0004991

Fig. 10 CWシステム  
COOLING WATER SYSTEM

3TNE84-YBB  
3TNE84-YBC



No.	Lev.	Parts No.	Description	Q'ty						I	R
				(A)	(B)	(C)	(D)	(E)	(F)		
1	1	129100-42002	PUMP ASSY, WATER	1	1						
11	2	23871-030000	PLUG, R03	1	1						
12	1	129100-42020	GASKET, WATER PUMP	1	1						A
13	1	26106-080602	BOLT, M8X 60 PLATED	3	3						
14	1	124001-42290	V-BELT, 36	1	1						
14-1	1	25132-003600	V-BELT, A36	1	1						R
		(A=E06894)	(B=E06884)								
15	1	121520-44740	FAN, COOLING D325	1	1						
16	1	124574-44761	SPACER, FAN	1	1						
17	1	26014-060302	BOLT, M6X 30	4	4						
18	1	129103-49301	ELBOW, PT1/4	1	1						
19	1	129350-49530	COVER, THERMOSTAT	1	1						
20	1	129795-49551	GASKET	1	1						A
21	1	129100-49800	CASE ASSY, THERMOSTAT	1	1						
22	2	124770-11770	JOINT, PIPE PT1/8	1	1						
24	2	129100-49820	GASKET	1	1						
25	2	129100-49830	COVER, THERMOSTAT	1	1						
26	2	23871-030000	PLUG, R03	1	1						
27	2	26116-060162	BOLT, M6X 16 PLATED	2	2						
28	1	129155-49800	THERMOSTAT, 71	1	1						
29	1	129150-49811	GASKET, THERMOSTAT	1	1						A
30	1	129100-49840	GASKET	1	1						A
31	1	26106-080202	BOLT, M8X 20 PLATED	2	2						
32	1	26106-080252	BOLT, M8X 25 PLATED	1	1						
33	1	26106-080502	BOLT, M8X 50 PLATED	1	1						
34	1	26106-080602	BOLT, M8X 60 PLATED	1	1						
35	1	129556-42350	V-PULLEY, 96	1	1						
36	1	129100-49050	PIPE, WATER	1	1						
36-1	1	129132-49050	PIPE, WATER	1	1						R
		(A=E01920)	(B=E01928)								
37	1	23000-016000	CLAMP, 16	2	2						
38	1	124250-49351	SENSOR	1	1						
39	1	129150-49360	GASKET	1	1						A
40	1	104207-44480	JOINT	1	1						
41	1	121250-44901	SWITCH, 110	1	1						
42	1	124465-44950	GASKET, 16	1	1						A
43	1	171064-44510	TANK ASSY, SUB	1	1						
45	2	121450-44531	CAP	1	1						
46	2	124450-44560	RETAINER	1	1						
47	2	121470-44581	GASKET	1	1						
48	2	23065-070225	HOSE 7X 225	1	1						
49	1	124450-44550	BAND	1	1						
50	1	121256-44600	BRACKET, SUB TANK	1	1						
51	1	119869-44510	RADIATOR	1	1						
52	2	123682-44210	CAP, RADIATOR	1	1						
53	1	129132-44901	COOLER ASSY, OIL	1	1						
54	1	129132-44590	NET, WIRE	1	1						
55	1	119860-49010	PIPE, WATER	1	1						
56	1	119869-49020	PIPE, WATER	1	1						
57	1	23010-038000	CLAMP, 38	4	4						
58	1	721521-49100	COCK ASSY, 2-WAY	1	1						

Remarks  
(A) THESE PART ARE ALSO SOLD BY FIG  
18. REF NO.2.



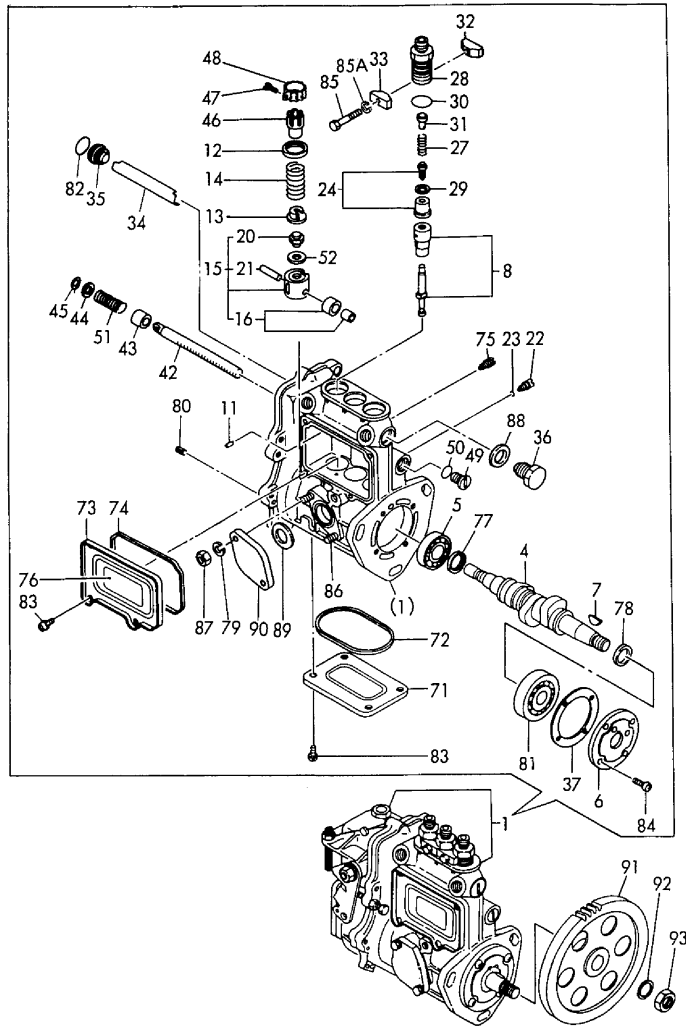
Fig.11. FUEL INJECTION PUMP

(A)=3TNE84-YBB  
(B)=3TNE84-YBC  
(C)=3TNE84-YW

(D)=  
(E)=  
(F)=

Y0004991

Fig. 11 FOフンシャポンプ  
FUEL INJECTION PUMP



No.	Lev.	Parts No.	Description	Qty						I	R
				(A)	(B)	(C)	(D)	(E)	(F)		
1A	1	729211-51380	PUMP ASSY, INJECTION	1							1
1B	1	729211-51370	PUMP ASSY, INJECTION		1						1
1C	1	729213-51370	PUMP ASSY, INJECTION			1					1
4	2	119810-51040	CAMSHAFT	1	1	1					
5	2	129155-51050	BEARING, 17BM001D	1	1	1					
6	2	129155-51060	SUPPORT, CAMSHAFT	1	1	1					
7	2	122710-51090	KEY	1	1	1					
8	2	129506-51100	PLUNGER ASSY	3	3	3					
11	2	129155-51140	PIN	3	3	3					
12	2	174307-51170	RETAINER, SPRING A	3	3	3					
13	2	129155-51180	RETAINER, SPRING	3	3	3					
14	2	124950-51190	SPRING, PLUNGER	3	3	3					
15	2	129155-51200	TAPPET ASSY	3	3	3					
16	3	711100-51540	ROLLER ASSY	3	3	3					
20	3	129155-51250	BOLT, ADJUSTING	3	3	3					
21	3	174100-54120	PIN	3	3	3					
22	2	129155-51270	STOPPER, TAPPET	3	3	3					
23	2	129155-51280	O-RING, S6	3	3	3					
24	2	129505-51300	VALVE ASSY, DELIVERY	3	3	3					
27	2	129155-51320	SPRING, DELIVERY	3	3	3					
28	2	129155-51340	RETAINER	3	3	3					
29	2	124550-51350	GASKET, DELIVERY	3	3	3					
30	2	124550-51370	O-RING	3	3	3					
31	2	129155-51370	STOPPER, VALVE	3	3	3					
32	2	129155-51380	STOPPER	2	2	2					
33	2	129155-51390	STOPPER	2	2	2					
34	2	129155-51400	DEFLECTOR	1	1	1					
35	2	129155-51410	BOLT	1	1	1					
36	2	129155-51420	PLUG, M16	1	1	1					
37	2	129155-51450	SHIM SET, ADJUSTING	1	1	1					
42	2	129155-51500	RACK, CONTROL	1	1	1					
43	2	129155-51521	BUSH, RACK	1	1	1					
44	2	129155-51530	SPACER	1	1	1					
45	2	129155-51540	CIRCLIP	1	1	1					
46	2	129155-51550	PINION, CONTROL	3	3	3					
47	2	122117-51560	SCREW	3	3	3					
48	2	174307-51560	PINION	3	3	3					
49	2	129155-51570	PLUG, M12	1	1	1					
50	2	129155-51580	O-RING	1	1	1					
51	2	129155-51591	SPRING, RACK	1	1	1					
52	2	129155-51600	SHIM SET, ADJUSTING	3	3	3					
71	2	129155-51700	COVER	1	1	1					
72	2	129155-51710	GASKET	1	1	1					
73	2	129155-51750	COVER	1	1	1					
74	2	129155-51760	GASKET	1	1	1					
75	2	129155-51790	STOOPER, RACK	1	1	1					
76	2	129156-51910	LABEL, CAUTION	1	1	1					
77	2	129155-51930	SPACER, T=3.25	1	1	1					
78	2	129155-51940	SPACER, T=1.5	1	1	1					
79	2	22217-060000	WASHER, SPRING 6	2	2	2					
80	2	22351-050010	PIN, SPRING 5.0X10	2	2	2					

Remarks

(1) GOVERNOR ASSY(FIG.NO.14)IS  
INCORPORATED IN THIS FUEL  
INJECTION PUMP ASSY(REF NO.1)

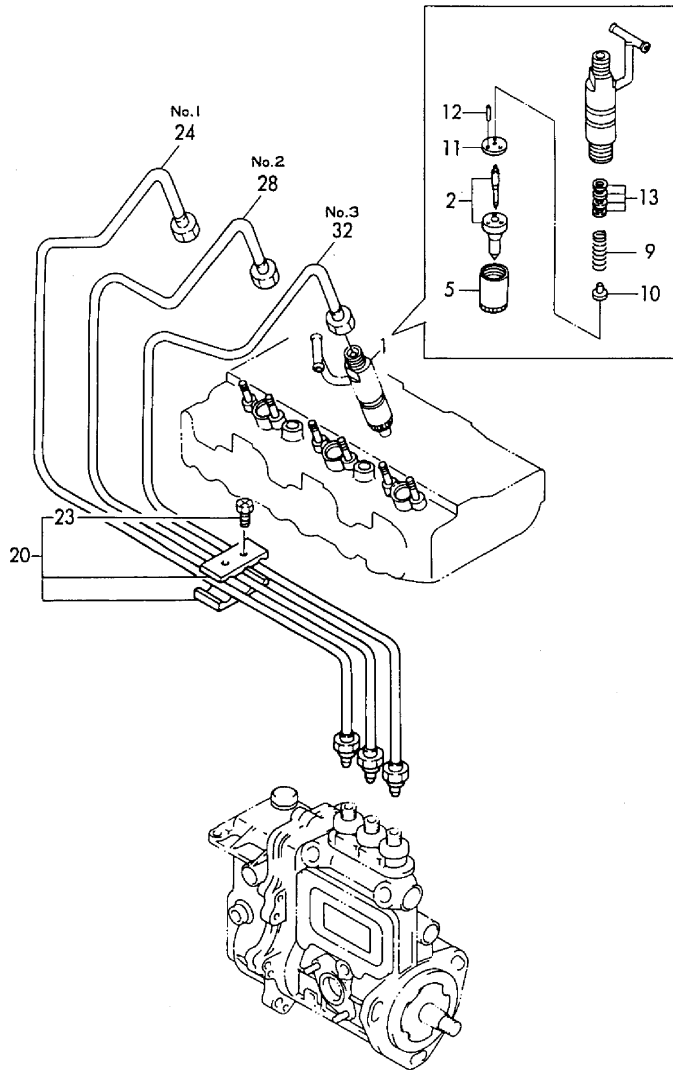




Fig.12. FUEL INJECTION LINE

Y00D4991

Fig. 12 FOフンシャパイプ  
FUEL INJECTION LINE



(A)=3TNE84-YBB  
(B)=3TNE84-YBC  
(C)=3TNE84-YW

(D)=  
(E)=  
(F)=

No.	Lev.	Parts No.	Description	Qty						I	R
				(A)	(B)	(C)	(D)	(E)	(F)		
1A	1	729102-53100	VALVE ASSY,INJECTION	3							
1B	1	729503-53100	VALVE ASSY,INJECTION		3	3					
2A	2	129102-53000	VALVE ASSY,INJECTION	3							
2B	2	129503-53000	VALVE ASSY,INJECTION		3	3					
5	2	114250-53080	NUT, NOZZLE D16.95	3	3	3					
9	2	114250-53120	SPRING, NOZZLE	3	3	3					
10	2	114250-53130	SEAT, SPRING	3	3	3					
11	2	114250-53140	PLATE	3	3	3					
12	2	114250-53210	PIN	6	6	6					
13	2	114250-53400	SHIM SET	3	3	3					
20	1	129150-59120	RETAINER, PIPE	1	1	1					
23	2	129150-59131	BOLT, M4X14	2	2	2					
24	1	129100-59910	PIPE ASSY, INJECTION	1	1						
24-1	1	129100-59912	PIPE ASSY, INJECTION	1	1	1					N
		(A=E05393) (B=E05399)									
28	1	129100-59920	PIPE ASSY, INJECTION	1	1						
28-1	1	129100-59922	PIPE ASSY, INJECTION	1	1	1					N
		(A=E05393) (B=E05399)									
32	1	129100-59930	PIPE ASSY, INJECTION	1	1						
32-1	1	129100-59932	PIPE ASSY, INJECTION	1	1	1					N
		(A=E05393) (B=E05399)									

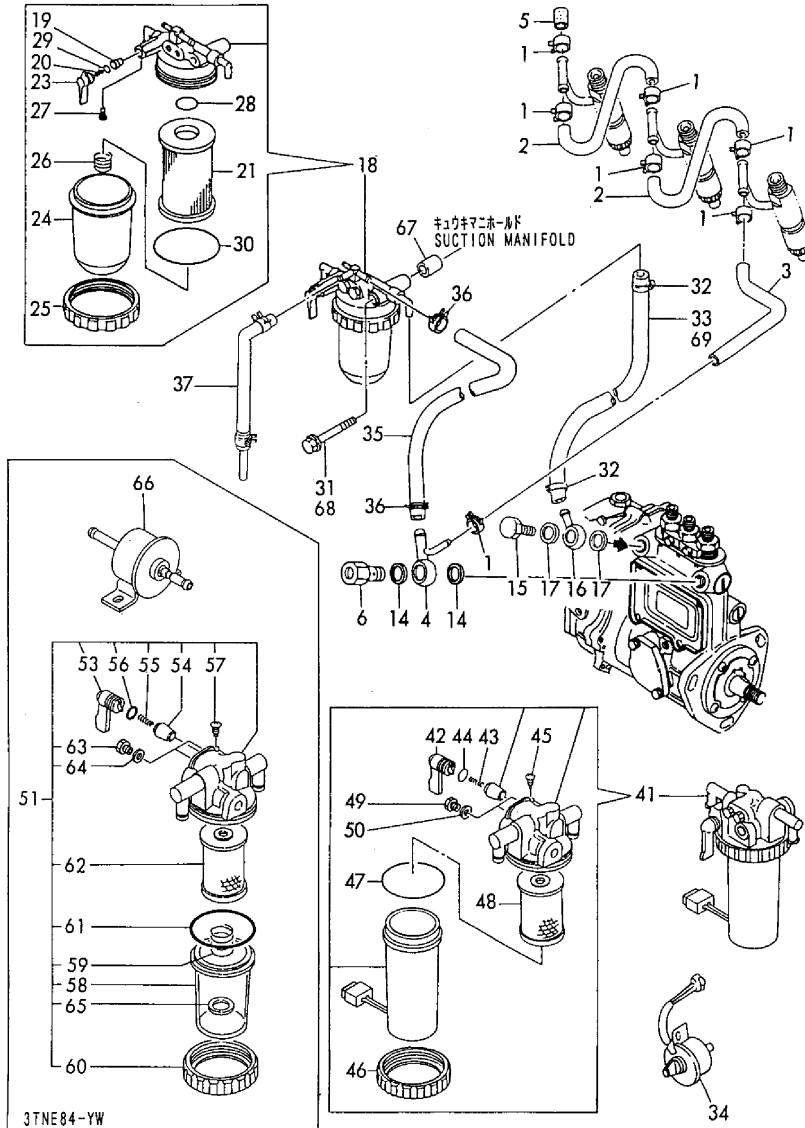
Fig.13. FUEL LINE

(A)=3TNE84-YBB  
(B)=3TNE84-YBC  
(C)=3TNE84-YW

(D)=  
(E)=  
(F)=

Y00D4991

Fig. 13 FOパイプ  
FUEL LINE



No.	Lev.	Parts No.	Description	Qty						I	R
				(A)	(B)	(C)	(D)	(E)	(F)		
1	1	124066-59100	CLIP, HOSE 8	7	7	7					
2	1	121250-59550	PIPE, FUEL D8X120	2	2	2					
3	1	119840-59560	PIPE, FUEL RETURN	1	1	1					
4	1	119840-59570	JOINT	1	1	1					
5	1	129150-59580	CAP	1	1	1					
6	1	129100-59951	VALVE ASSY, CHECK	1	1	1					
14	1	23414-120000	GASKET, 12X1.0	2	2	2					
15	1	103854-39140	BOLT, PIPE JOINT	1	1	1					
16	1	101304-59020	JOINT, PIPE 12	1	1	1					
17	1	104200-59170	GASKET, 12	2	2	2					
18	1	129052-55620	FILTER ASSY, FUEL	1	1	1					
19	2	104200-55321	VALVE, TAPER	1	1	1					
20	2	104200-55330	SPRING, VALVE	1	1	1					
21	2	129100-55650	ELEMENT	1	1	1					
23	2	129100-55670	LEVER	1	1	1					
24	2	129100-55680	CUP, STRAINER	1	1	1					
25	2	129100-55690	RING, RETAINING	1	1	1					
26	2	129100-55700	SPRING	1	1	1					
27	2	104200-55750	SCREW, M4	1	1	1					
28	2	24311-000160	O-RING, 1AP16.0	1	1	1					
29	2	24311-240100	O-RING, 1AP10A	1	1	1					
30	2	24321-000650	O-RING, 1AG65.0	1	1	1					
31	1	26014-080702	BOLT, M8X 70	1	1	1					
32	1	124766-59050	CLIP, HOSE 12	2	2	2					
33	1	129555-59510	PIPE, D13/7.5X180	1	1						
34	1	129322-77401	PUMP ASSY, FUEL FEED	1	1						
35	1	129255-59580	PIPE, FUEL	1	1	1					
36	1	124766-59050	CLIP, HOSE 12	2	2	2					
37	1	119840-59601	BEND	1	1	1					
41	1	129137-55700	SEPARATOR ASSY,WATER	1	1						
42	2	104200-55341	HANDLE	1	1						
43	2	104200-55330	SPRING, VALVE	1	1						
44	2	24311-240100	O-RING, 1AP10A	1	1	1					
45	2	104200-55750	SCREW, M4	1	1						
46	2	110250-55610	RING, RETAINING	1	1						
47	2	102103-55520	O-RING	1	1						
48	2	171081-55910	SCREEN	1	1						
49	2	101720-55750	PLUG, 6	2	2						
50	2	23418-060000	GASKET, 6X1.0	2	2						
51	1	129335-55700	SEPARATOR ASSY,WATER							1	
53	2	104200-55341	HANDLE							1	
54	2	104200-55321	VALVE, TAPER							1	
55	2	104200-55330	SPRING, VALVE							1	
56	2	24311-240100	O-RING, 1AP10A							1	
57	2	104200-55750	SCREW, M4							1	
58	2	124064-55510	COVER							1	
59	2	121257-55720	SPRING							1	
60	2	110250-55610	RING, RETAINING							1	
61	2	102103-55520	O-RING							1	
62	2	171081-55910	SCREEN							1	
63	2	101720-55750	PLUG, 6							2	

Fig.13. FUEL LINE

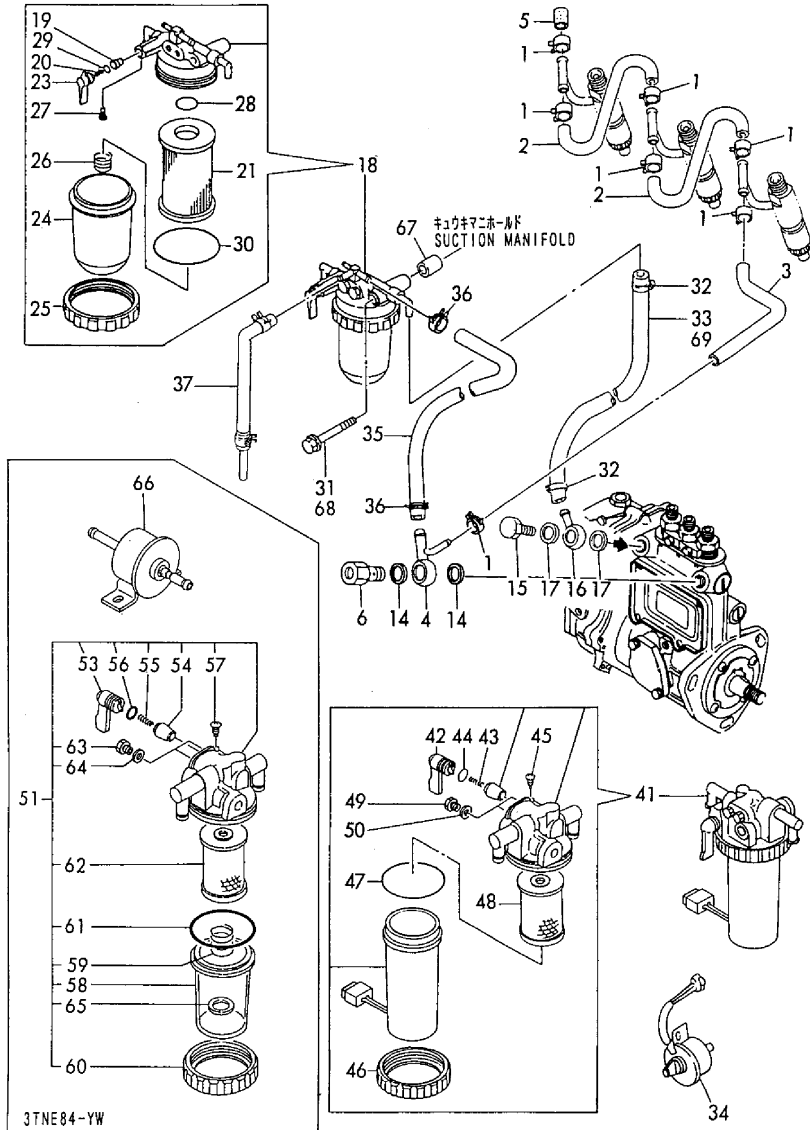
(A)=3TNE84-YBB  
 (B)=3TNE84-YBC  
 (C)=3TNE84-YW

(D)=  
 (E)=  
 (F)=

No.	Lev.	Parts No.	Description	Qty						I	R	
				(A)	(B)	(C)	(D)	(E)	(F)			
64	2	23418-060000	GASKET, 6X1.0			2						
65	2	121257-55731	FLOAT			1						
66	1	119225-52102	PUMP ASSY, FUEL FEED			1						
67	1	129411-55690	SPACER			1						
68	1	26014-080852	BOLT, M8X 85			1						
69	1	129150-59511	PIPE, FUEL			1						

Y00D4991

Fig. 13 FOパイプ  
 FUEL LINE



3TNE84-YW

Fig.14. GOVERNOR

Y00D4991

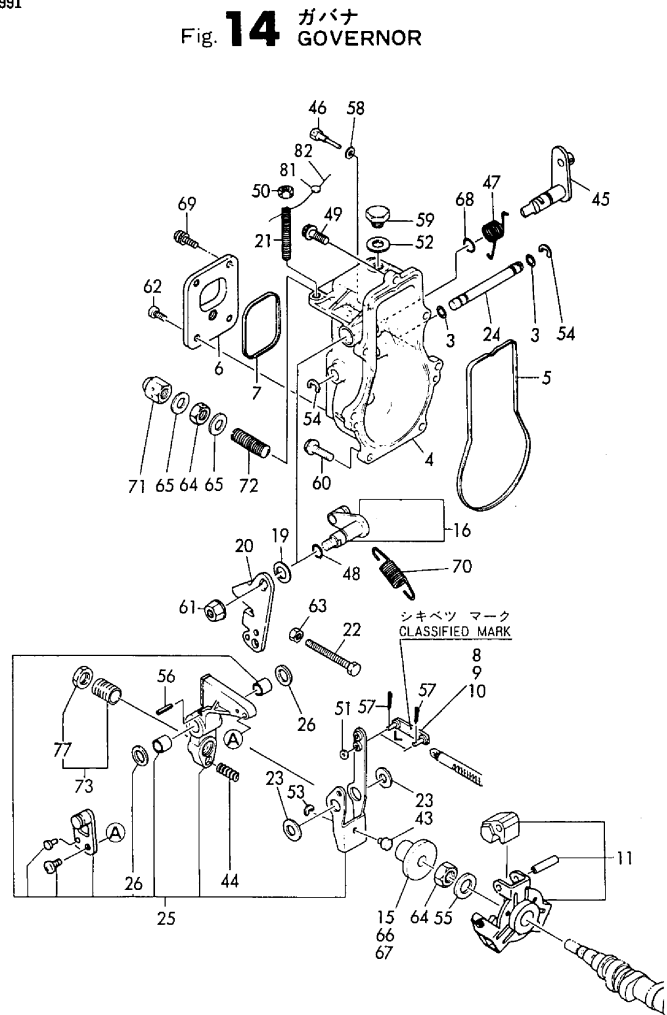


Fig. 14 ガバナ GOVERNOR

(A)=3TNE84-YBB  
(B)=3TNE84-YBC  
(C)=3TNE84-YW

(D)=  
(E)=  
(F)=

No.	Lev.	Parts No.	Description	Q'ty						I	R
				(A)	(B)	(C)	(D)	(E)	(F)		
3	2	129155-51280	O-RING, S6	2	2	2					
4	2	129155-61012	CASE, GOVERNOR	1	1	1					
5	2	129155-61050	GASKET	1	1	1					
6	2	129155-61060	COVER, GOVERNOR CASE	1	1	1					
7	2	129155-61070	GASKET	1	1	1					
8	2	129155-61120	LINK, L=30 MARK 0	1	1	1					1
9	2	129155-61130	LINK, L=31 MARK 1	1	1	1					1
10	2	129155-61140	LINK, L=30.5 MARK 05	1	1	1					1
11	2	129155-61201	WEIGHT ASSY,GOVERNOR	1	1	1					
15	2	129155-61341	SLEEVE	1	1	1					2
16	2	129100-61400	SHAFT ASSY	1	1	1					
19	2	129155-61430	SPACER	1	1	1					
20	2	129100-61440	LEVER, CONTROL	1	1	1					
21	2	129155-61450	BOLT, LIMITER	1	1	1					
22	2	129155-61460	BOLT, IDLE	1	1	1					
23	2	129155-61480	SPACER ASSY	2	2	2					
24	2	129155-61490	SHAFT	1	1	1					
25	2	129500-61501	LEVER ASSY, GOVERNOR	1	1	1					
26	3	174307-51700	SHIM SET	2	2	2					
43	2	129155-61540	SHIFTER	1	1	1					
44	2	129100-61650	SPRING, CONTROLLER	1	1	1					
45	2	129255-61802	LEVER, STOP	1	1	1					
46	2	129155-61810	PIN	1	1	1					
47	2	129100-61821	SPRING, RETURN	1	1	1					
48	2	129155-61830	O-RING, S10	1	1	1					
49	2	129155-61950	BOLT	1	1	1					
50	2	124550-66370	NUT, M6	1	1	1					
51	2	22117-040000	WASHER, 4	1	1	1					
52	2	22190-100002	WASHER, SEAL 10	1	1	1					
53	2	22272-000040	RING, E- 4	1	1	1					
54	2	22272-000060	RING, E- 6	2	2	2					
55	2	22287-120000	WASHER, 12	1	1	1					
56	2	22351-030016	PIN, SPRING 3.0X16	1	1	1					
57	2	22372-040000	PIN, SNAP 4	2	2	2					
58	2	22190-060002	WASHER, SEAL 6	1	1	1					
59	2	23887-100002	PLUG, 10	1	1	1					
60	2	26106-060202	BOLT, M6X 20 PLATED	6	6	6					
61	2	26366-080002	NUT, M8	1	1	1					
62	2	26022-050102	SCREW, M5X10	2	2	2					
63	2	26756-060002	NUT, LOCK M6	1	1	1					
64	2	26776-120002	NUT, LOCK M12	2	2	2					
65	2	22190-120002	WASHER, SEAL 12	2	2	2					
66	2	129155-61350	SLEEVE, L=24.9	1	1	1					2
67	2	129155-61360	SLEEVE, L=25.2	1	1	1					2
68	2	24311-240100	O-RING, 1AP10A	1	1	1					
69	2	26023-050102	SCREW, M5X10	2	2	2					
70	2	129489-61700	SPRING, GOVERNOR	1							
70A	2	171353-61710	SPRING, GOVERNOR		1	1					
71	2	26687-120002	NUT, CAP M12	1	1	1					
72	2	129155-61470	BOLT, CONTROL	1	1	1					
73	2	129132-61550	ANGLEICH ASSY	1							

Remarks

- (1) SELECTIVE PARTS : CERTAIN THE CLASSIFICATION MARK, THEN PLACE YOUR ORDER.(ILLUSTRATION)
- (2) SELECTIVE PARTS.

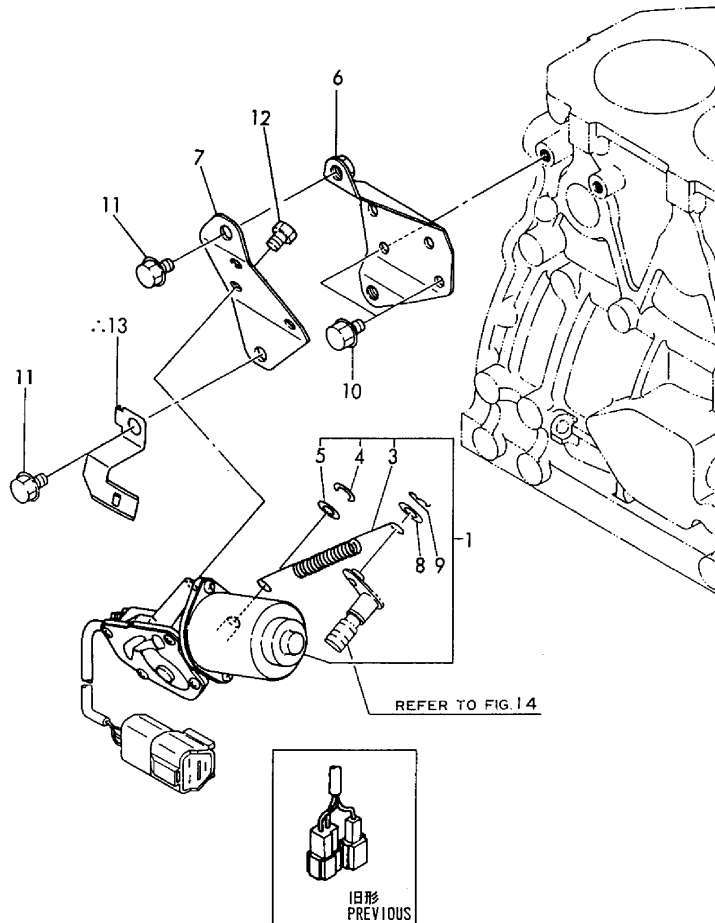


# Fig.15. ENGINE STOPP DEVICE

発行No. 000Y00D4990-1  
 更新年月: 1994. 11  
 REVISED: Nov., 1994

Y00D4991

Fig. 15 機関停止装置  
 ENGINE STOP DEVICE



(A)=3TNE84-YBB  
 (B)=3TNE84-YBC  
 (C)=3TNE84-YW

(D)=  
 (E)=  
 (F)=

No.	Lev.	Parts No.	Description	Q'ty						I	R
				(A)	(B)	(C)	(D)	(E)	(F)		
1	1	129136-66800	MOTOR ASSY, STOP	1	1	1					
3	2	129107-66830	SPRING, STOP MOTOR	1	1	1					
4	2	129566-66880	RING, SNAP	1	1	1					
5	2	129566-66890	WASHER	1	1	1					
6	1	129107-66810	BRACKET, STOP MOTOR	1	1	1					
7	1	129107-66820	BRACKET, STOP MOTOR	1	1	1					
8	1	22117-080000	WASHER, 8	1	1	1					
9	1	22360-080000	SNAP PIN 8	1	1	1					
10	1	26106-080122	BOLT, M8X 12 PLATED	2	2	2					
11	1	26106-080122	BOLT, M8X 12 PLATED	2	2	2					
12	1	26116-050102	BOLT, M5X 10 PLATED	3	3	3					
13	1	129136-66852	SUPPORT	1	1	1					W

(A=E02728)

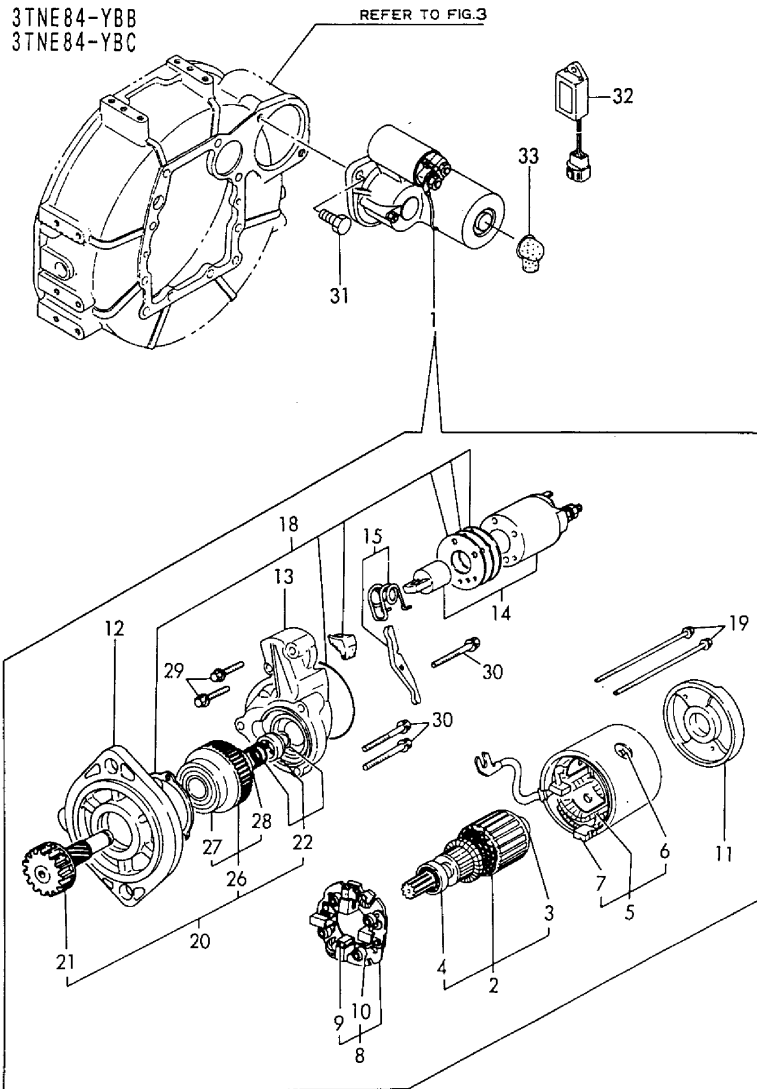
(B=E02740)

今回、印部品を追加しました。  
 ∴ MARKED PART IS NEWLY ADDED.

Fig.16. STARTING MOTOR

Y00D4991

Fig. 16 スタートモーター  
STARTING MOTOR



(A)=3TNE84-YBB  
(B)=3TNE84-YBC  
(C)=3TNE84-YW

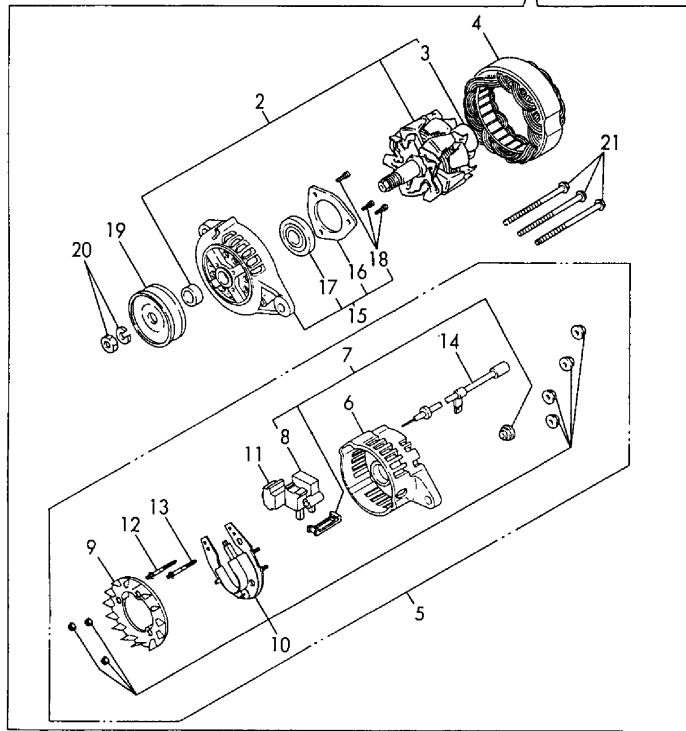
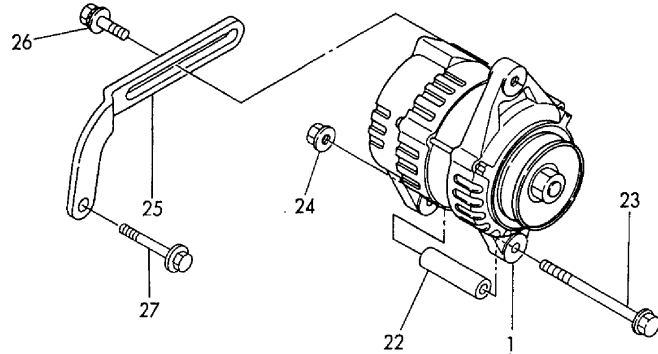
(D)=  
(E)=  
(F)=

No.	Lev.	Parts No.	Description	Q'ty						I	R
				(A)	(B)	(C)	(D)	(E)	(F)		
1	1	129400-77011	STARTER, S13-94A	1	1						
2	2	129400-77401	ARMATURE ASSY	1	1						
3	3	171008-77410	BEARING	1	1						
4	3	171008-77420	BEARING	1	1						
5	2	129400-77440	COIL ASSY, FIELD	1	1						
6	3	171008-77450	SCREW	4	4						
7	3	129400-77460	BRUSH (+)	2	2						
8	2	129400-77470	HOLDER ASSY, BRUSH	1	1						
9	3	129400-77480	BRUSH (-)	2	2						
10	3	129400-77490	SPRING	4	4						
11	2	129400-77510	COVER, REAR	1	1						
12	2	171008-77510	CASE, GEAR	1	1						
13	2	129400-77520	HOUSING	1	1						
14	2	129400-77530	SWITCH ASSY, MAGNETIC	1	1						
15	2	171008-77540	LEVER SET	1	1						
18	2	129400-77571	COVER ASSY, DUST	1	1						
19	2	129400-77640	BOLT, THROUGH	2	2						
20	2	171008-77650	PINION ASSY	1	1						
21	3	171008-77660	SHAFT	1	1						
22	3	171008-77670	STOPPER SET	1	1						
26	3	171008-77720	CLUTCH ASSY	1	1						
27	4	171008-77730	BEARING, BALL	1	1						
28	4	171008-77740	BEARING	1	1						
29	2	26106-060322	BOLT, M6X 32 PLATED	2	2						
30	2	26106-060402	BOLT, M6X 40 PLATED	3	3						
31	1	26116-120252	BOLT, M12X 25 PLATED	2	2						
32	1	129136-77100	RELAY, SAFETY	1	1						
33	1	124550-77030	COVER, TERMINAL	1	1						

# Fig.17. GENERATOR

Y00D4991

Fig. 17 ジェネレータ  
GENERATOR



(A)=3TNE84-YBB  
(B)=3TNE84-YBC  
(C)=3TNE84-YW

(D)=  
(E)=  
(F)=

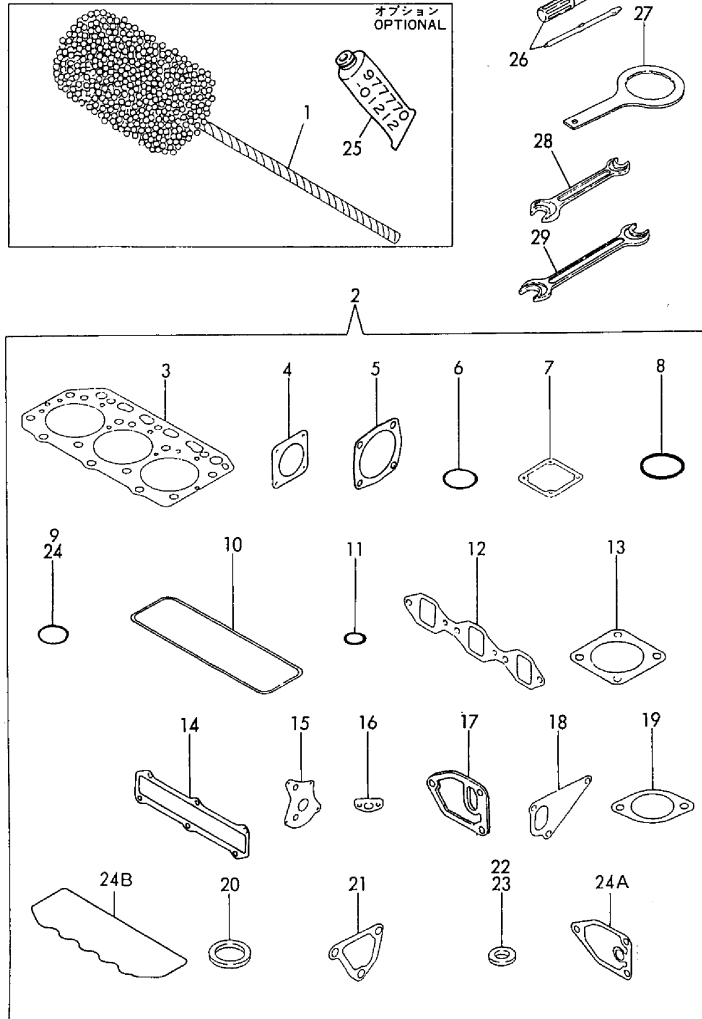
No.	Lev.	Parts No.	Description	Qty						I	R
				(A)	(B)	(C)	(D)	(E)	(F)		
1	1	119836-77200	GENERATOR	1	1	1					
2	2	119836-77700	ROTOR ASSY	1	1	1					
3	3	119836-77850	BALL BEARING	1	1	1					
4	2	119836-77710	STATOR ASSY	1	1	1					
5	2	119836-77721	COVER ASSY, REAR	1	1	1					
6	3	119836-77730	COVER, REAR	1	1	1					
7	3	119836-77741	BRUSH ASSY,REGULATOR	1	1	1					
8	4	119836-77750	BRUSH ASSY	1	1	1					
9	3	119836-77760	GUIDE, FAN SIDE	1	1	1					
10	3	119836-77770	DIODE ASSY	1	1	1					
11	3	119836-77780	CONDENSER	1	1	1					
12	3	119836-77871	BOLT (1)	1	1	1					
13	3	119836-77880	BOLT (2)	1	1	1					
14	3	119836-77890	WIRE ASSY, LEAD	1	1	1					
15	2	119836-77790	COVER ASSY, FRONT	1	1	1					
16	3	119836-77800	RETAINER, BEARING	1	1	1					
17	3	119836-77840	BALL BEARING	1	1	1					
18	3	119836-77860	SCREW KID	1	1	1					
19	2	119836-77810	PULLEY	1	1	1					
20	2	119836-77820	NUT ASSY, PULLEY	1	1	1					
21	2	119836-77830	BOLT, THROUGH	1	1	1					
22	1	119820-77340	PIECE, DISTANCE	1	1	1					
23	1	129136-77250	BOLT M 8X105	1	1	1					
24	1	26366-080002	NUT, M8	1	1	1					
25	1	129100-77330	ADJUSTER	1	1	1					
26	1	26014-080252	BOLT, M8X 25	1	1	1					
27	1	26106-080502	BOLT, M8X 50 PLATED			1					



Fig.18. GASKET SET(OPTIONAL) & TOOL

Y0004991

Fig. 18 パッキンセット(オプション)&コウグ  
GASKET SET (OPTIONAL) & TOOL



(A)=3TNE84-YBB  
(B)=3TNE84-YBC  
(C)=3TNE84-YW

(D)=  
(E)=  
(F)=

No.	Lev.	Parts No.	Description	Qty						I	R
				(A)	(B)	(C)	(D)	(E)	(F)		
1	1	129400-92420	HONE	1	1	1					1
2	1	729211-92610	GASKET SET	1	1						1
2A	1	729211-92650	GASKET SET			1					1
3	2	129002-01331	GASKET, HEAD	1	1	1					
4	2	124240-01883	GASKET	3	3	1					
5	2	129150-01881	GASKET	1	1						
6	2	121850-51960	O-RING	1	1	1					
7	2	129150-77511	GASKET	1	1	1					
8	2	24341-000500	O-RING, 1AS50.0	1	1						Z
		(A=FROM 1ST) (B=FROM 1ST)									
9	2	24311-000320	O-RING, 1AP32.0	2	2	2					
10	2	129001-11310	GASKET, BONNET	1	1						
11	2	24311-000120	O-RING, 1AP12.0	3	3	3					
12	2	129150-12111	GASKET, MANIFOLD	1	1	1					
13	2	124701-11911	GASKET, SILENCER	1	1	1					
13-1	2	124701-11911	GASKET, SILENCER	2	2						K
		(A=FROM 1ST) (B=FROM 1ST)									
14	2	129001-13110	GASKET	1	1	1					
15	2	129150-32020	GASKET, PUMP	1	1	1					
16	2	129150-35041	GASKET	1	1	1					
17	2	129120-35121	GASKET	1	1						
18	2	129100-42020	GASKET, WATER PUMP	1	1	1					
19	2	129795-49551	GASKET	1	1	1					
20	2	129150-49811	GASKET, THERMOSTAT	1	1	1					
21	2	129100-49840	GASKET	1	1	1					
22	2	124465-44950	GASKET, 16	1	1	1					
23	2	129150-49360	GASKET	1	1	1					
24	2	24341-000240	O-RING, 1AS24.0	1	1	1					
24A	2	129150-35111	GASKET								1
24B	2	129150-11310	GASKET, BONNET								1
25	1	977770-01212	GASKET, LIQUID	1	1	1					1
26	1	104200-92350	DRIVER, SCREW	1	1						
27	1	119640-92750	WRENCH, FILTER 80	1	1						
28	1	28110-100120	SPANNER, 10X12	1	1						
29	1	28110-140170	SPANNER, 14X17	1	1						

Remarks  
(1) OPTIONAL

Fig.19. GEAR HOUSING

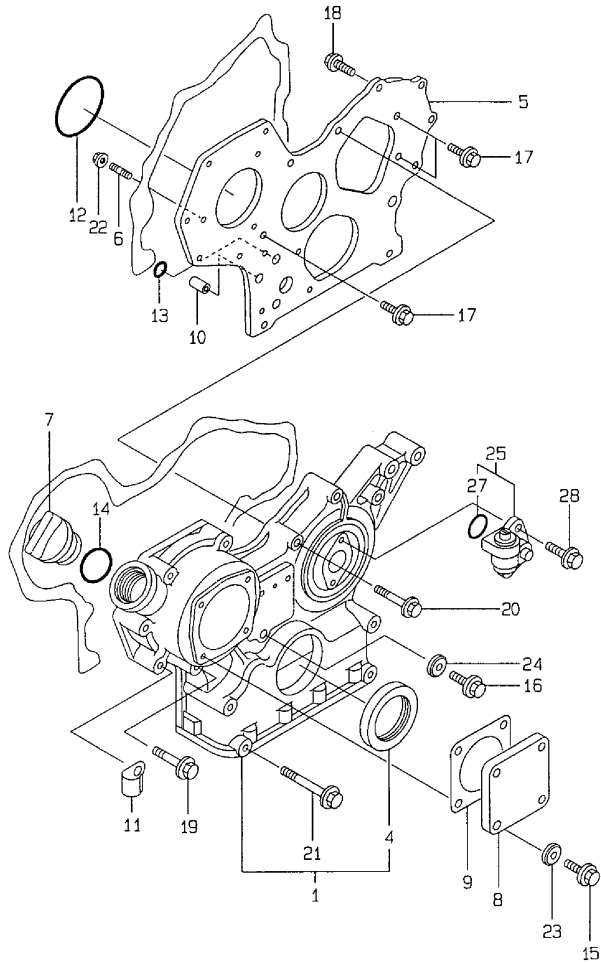
(A)=3TNE84-YBB  
 (B)=3TNE84-YBC  
 (C)=3TNE84-YW

(D)=  
 (E)=  
 (F)=

Y00D4991  
 3TNE84-YBB, YBC, YW

19 ギヤケース  
 GEAR HOUSING

3TNE84-YW



No.	Lev.	Parts No.	Description	Q'ty						I	R
				(A)	(B)	(C)	(D)	(E)	(F)		
1	1	719810-01500	CASE ASSY, GEAR			1					
4	2	129795-01800	SEAL, OIL			1					
5	1	129400-01520	FLANGE, GEAR CASE			1					
6	1	121450-01560	STUD, M8X22			3					
7	1	124160-01751	COVER, FILLER			1					
8	1	124240-01871	COVER			1					
9	1	124240-01883	GASKET			1					A
10	1	129795-01950	PIPE, KNOCK L=18			2					
11	1	129150-03100	RETAINER, PIPE			1					
12	1	121850-51960	O-RING			1					A
13	1	24311-000160	O-RING, 1AP16.0			2					
14	1	24311-000320	O-RING, 1AP32.0			1					A
15	1	26106-080122	BOLT, M8X 12 PLATED			4					
16	1	26106-080162	BOLT, M8X 16 PLATED			1					
17	1	26106-080162	BOLT, M8X 16 PLATED			3					
18	1	26106-080202	BOLT, M8X 20 PLATED			2					
19	1	26106-080452	BOLT, M8X 45 PLATED			6					
20	1	26106-080552	BOLT, M8X 55 PLATED			3					
21	1	26106-080852	BOLT, M8X 85 PLATED			4					
22	1	26366-080002	NUT, M8			3					
23	1	22190-080002	WASHER, SEAL 6			4					
24	1	22190-080002	WASHER, SEAL 6			1					
25	1	129150-91400	GEAR			1					
27	2	24341-000240	O-RING, 1AS24.0			1					A
28	1	26106-060162	BOLT, M6X 16 PLATED			2					

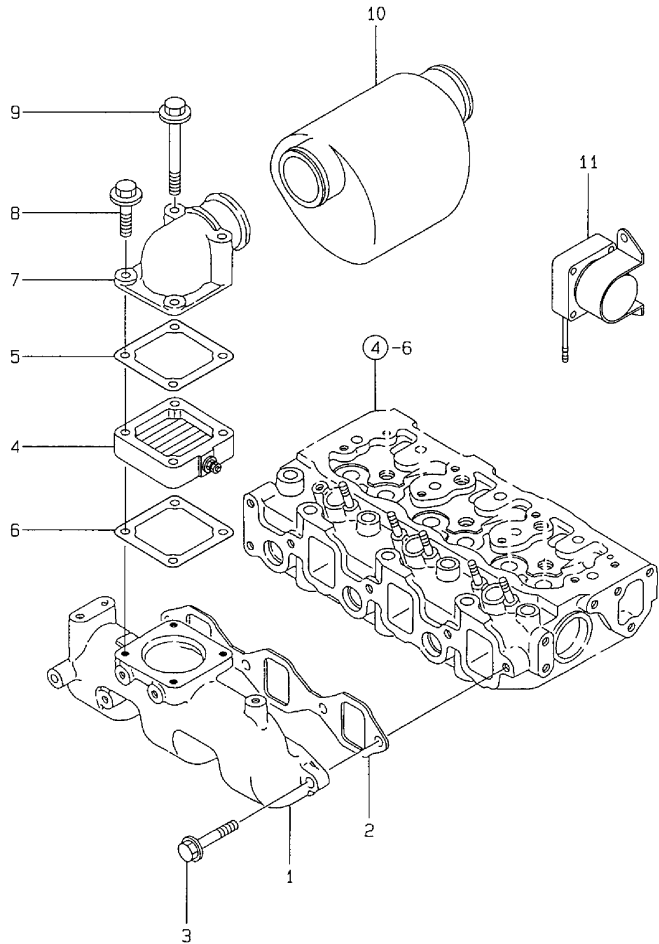
Remarks

(A) THESE PART ARE ALSO SOLD BY FIG  
 18. REF NO.2.

# Fig.20. SUCTION MANIFOLD

Y00D4991  
3TNE84-YBB, YBC, YW

20 キュウキマニホールド  
SUCTION MANIFOLD



(A)=3TNE84-YBB  
(B)=3TNE84-YBC  
(C)=3TNE84-YW

(D)=  
(E)=  
(F)=

No.	Lev.	Parts No.	Description	Qty						I	R
				(A)	(B)	(C)	(D)	(E)	(F)		
1	1	129150-12100	MANIFOLD, AIR INTAKE			1					
2	1	129150-12111	GASKET, MANIFOLD			1					A
3	1	26106-080252	BOLT, M8X 25 PLATED			4					
4	1	129100-77500	HEATER, AIR 12V			1					
5	1	129100-77510	GASKET			1					
6	1	129150-77511	GASKET			1					A
7	1	171340-77520	BEND			1					
8	1	26106-080402	BOLT, M8X 40 PLATED			2					
9	1	26106-080802	BOLT, M8X 80 PLATED			2					
10	1	121855-12060	SILENCER ASSY			1					
11	1	129100-77910	RELAY, MAGNETIC			1					

Remarks

(A) THESE PART ARE ALSO SOLD BY FIG  
18.REF NO.2.

# Fig.21. COOLING WATER SYSTEM

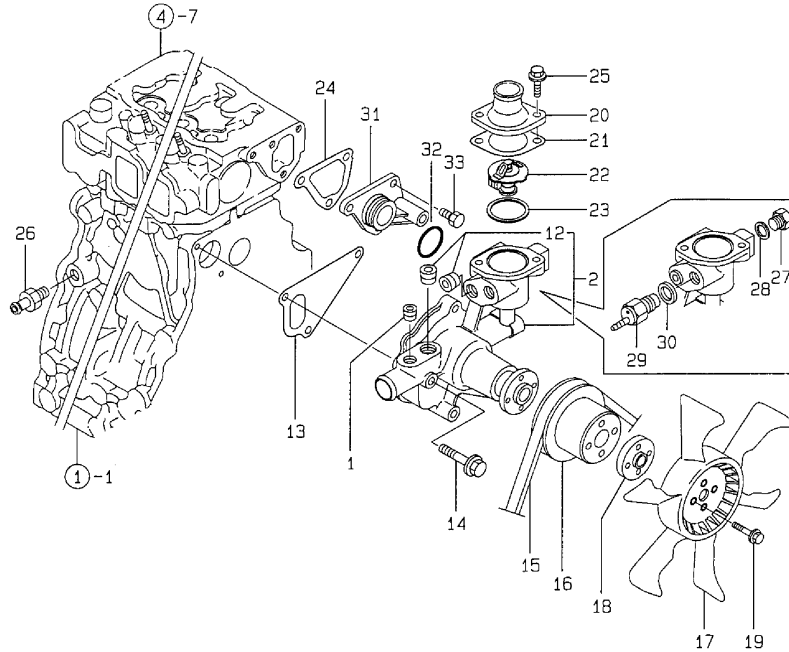
(A)=3TNE84-YBB  
 (B)=3TNE84-YBC  
 (C)=3TNE84-YW

(D)=  
 (E)=  
 (F)=

Y00D4991  
 3TNE84-YBB, YBC, YW

## 21 CWシステム COOLING WATER SYSTEM

3TNE84-YW



No.	Lev.	Parts No.	Description	Q'ty						I	R
				(A)	(B)	(C)	(D)	(E)	(F)		
1	1	121850-11860	PLUG, PT1/4			1					
2	1	129001-42001	PUMP ASSY, WATER			1					
12	2	23871-030000	PLUG, R03			1					
13	1	129100-42020	GASKET, WATER PUMP			1					A
14	1	26106-080602	BOLT, M8X 60 PLATED			3					
15	1	25132-003800	V-BELT, A38			1					
16	1	129550-42350	V-PULLEY, D=120			1					
17	1	171440-44740	FAN, COOLING D350XQF			1					
18	1	124574-44761	SPACER, FAN			1					
19	1	26014-060252	BOLT, M6X 25			4					
20	1	129350-49530	COVER, THERMOSTAT			1					
21	1	129795-49551	GASKET			1					A
22	1	129574-49800	THERMOSTAT, 82			1					
23	1	129150-49811	GASKET, THERMOSTAT			1					A
24	1	129100-49840	GASKET			1					A
25	1	26106-080202	BOLT, M8X 20 PLATED			2					
26	1	121550-49111	JOINT, PT1/4			1					
27	1	121450-42450	PLUG, M16			1					
28	1	124465-44950	GASKET, 16			1					A
29	1	124250-49351	SENSOR			1					
30	1	129150-49360	GASKET			1					A
31	1	129001-42040	JOINT			1					
32	1	24321-000300	O-RING, 1AG30.0			1					
33	1	26106-080182	BOLT, M8X 18 PLATED			3					

Remarks  
 (A) THESE PART ARE ALSO SOLD BY FIG  
 18. REF NO.2.

Fig.22. STARTING MOTOR

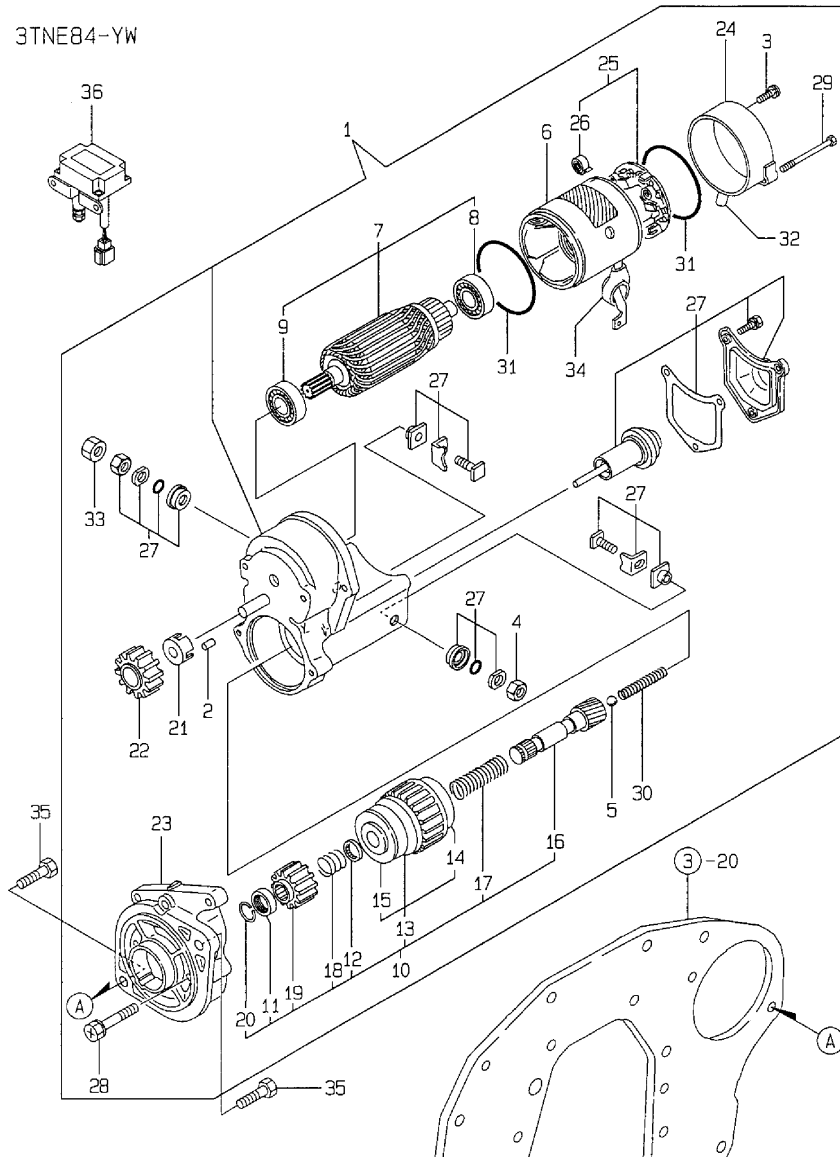
(A)=3TNE84-YBB  
 (B)=3TNE84-YBC  
 (C)=3TNE84-YW

(D)=  
 (E)=  
 (F)=

Y00D4991  
 3TNE84-YBB, YBC, YW

22 スターティングモータ  
 STARTING MOTOR

3TNE84-YW



No.	Lev.	Parts No.	Description	Qty						I	R
				(A)	(B)	(C)	(D)	(E)	(F)		
1	1	129407-77010	STARTER, RA1.4			1					
2	2	X0283060061	ROLLER			5					
3	2	X0289030010	SCREW			2					
4	2	X9490561370	NUT			1					
5	2	X9491200240	BALL			1					
6	2	129407-77210	YOKE ASSY			1					
7	2	129407-77220	ARMATURE ASSY			1					
8	3	129129-77230	BEARING			1					
9	3	129129-77240	BEARING			1					
10	2	129407-77250	STARTER			1					
11	3	X0280210230	NUT			1					
12	3	X0283270140	RETAINER			1					
13	3	129407-77390	CLUTCH ASSY			1					
14	4	129129-77440	BEARING, BALL			1					
15	4	129129-77450	BEARING, BALL			1					
16	3	129129-77400	SHAFT			1					
17	3	129129-77410	SPRING, COIL			1					
18	3	129407-77410	SPRING			1					
19	3	129129-77420	PINION, STARTER			1					
20	3	129129-77430	RING			1					
21	2	129129-77260	RETAINER			1					
22	2	129129-77270	PINION			1					
23	2	129407-77280	HOUSING			1					
24	2	129129-77290	FRAME			1					
25	2	129407-77300	HOLDER ASSY			1					
26	3	X9491730461	SPRING			4					
27	2	129407-77310	SWITCH ASSY			1					
28	2	129129-77320	BOLT			2					
29	2	129407-77330	BOLT			2					
30	2	129129-77340	SPRING			1					
31	2	129129-77350	O-RING			2					
32	2	129129-77361	BUSH			1					
33	2	129129-77370	NUT			1					
34	2	129129-77380	CAP			1					
35	1	26116-120252	BOLT, M12X 25 PLATED			2					
36	1	129136-77101	RELAY, SAFETY			1					

## Parts No. Index

Parts No.	Fig. No.	Ref. No.
101304-59020	13	16
101720-55750	13	49
		63
102103-55520	13	47
		61
103338-11190	4	12
103854-39140	13	15
104200-55321	13	19
		54
104200-55330	13	20
		43
		55
104200-55341	13	42
		53
104200-55750	13	27
		45
		57
104200-59170	13	17
104200-92350	18	26
104207-44480	10	40
105425-01690	3	24
110250-55610	13	46
		60
114250-53080	12	5
114250-53120	12	9
114250-53130	12	10
114250-53140	12	11
114250-53210	12	12
114250-53400	12	13
119225-52102	13	66
119260-34810	9	54
119462-26010	2	12
119620-01750	3	19
119625-11871	4	17 A
		30
119625-11880	4	17 B
		31
119625-11900	4	17 C
		32
119640-01640	3	13
119640-12580	5	10
119640-92750	18	27
119810-51040	11	4
119820-77340	17	22
119836-77200	17	1
119836-77700	17	2
119836-77710	17	4
119836-77721	17	5
119836-77730	17	6
119836-77741	17	7

Parts No.	Fig. No.	Ref. No.
119836-77750	17	8
119836-77760	17	9
119836-77770	17	10
119836-77780	17	11
119836-77790	17	15
119836-77800	17	16
119836-77810	17	19
119836-77820	17	20
119836-77830	17	21
119836-77840	17	17
119836-77850	17	3
119836-77860	17	18
119836-77871	17	12
119836-77880	17	13
119836-77890	17	14
119840-12210	5	7
119840-59560	13	3
119840-59570	13	4
119840-59601	13	37
119860-49010	10	55
119865-21600	8	14
119869-12220	5	32
119869-44510	10	51
119869-49020	10	56
120130-11860	4	35
121023-01550	2	25
121111-21501	8	11
121120-12531	5	28
121120-12541	5	23
121120-12561	5	25
121120-12571	5	26
121120-13580	6	11
121120-18901	5	24
121250-44901	10	41
121250-49121	10	60
121250-59550	13	2
121252-39450	9	43
121256-44600	10	50
121257-55720	13	59
121257-55731	13	65
121400-11340	4	13
121450-01560	2	3
	19	6
121450-42450	21	27
121450-44531	10	45
121470-44581	10	47
121520-34810	9	14
121520-44740	10	15
121550-23200	8	32
121550-49111	21	26

Parts No.	Fig. No.	Ref. No.
121850-11860	21	1
121850-21680	8	10
121850-51960	2	13
	18	6
	19	12
121855-12060	20	10
122117-51560	11	47
122710-51090	11	7
123682-44210	10	52
124001-42290	10	14
124064-55510	13	58
124066-59100	13	1
124160-01751	2	5
	4	43
		48
		60
	19	7
124160-01910	1	4
124160-11360	4	37
124160-39140	9	42
124240-01871	2	7
	19	8
124240-01883	2	8
		9
	18	4
	19	9
124250-49351	10	38
	21	29
124450-44550	10	49
124450-44560	10	46
124460-11340	4	14
124465-44950	10	42
	18	22
	21	28
124550-21600	8	40
124550-51350	11	29
124550-51370	11	30
124550-59820	9	44
124550-66370	14	50
124550-77030	16	33
124574-44761	10	16
	21	18
124701-11911	6	7
	18	13
		13 -1
124736-07900	4	40
124766-59050	13	32
		36
124770-11770	10	22
124950-51190	11	14

Parts No.	Fig. No.	Ref. No.
129001-02800	1	13
129001-11310	4	46
	18	10
129001-11340	4	39
129001-11350	4	42
129001-11700	4	1
129001-13100	6	1
129001-13110	6	2
	18	14
129001-21000	8	1
129001-32001	9	1 -1
129001-35300	9	60
129001-42001	21	2
129001-42040	21	31
129002-01331	1	21
	18	3
129002-22081	8	15
129002-22500	8	17
129002-22900	8	23
129002-22950	8	25
129030-35300	9	27
129052-55620	13	18
129100-01520	2	6
129100-01580	3	1
		5
	8	6
129100-01590	2	1
129100-01640	3	6
129100-01730	3	11
129100-11100	4	8
129100-11110	4	9
129100-11350	4	50
129100-23910	8	35
129100-25061	7	8
129100-42002	10	1
129100-42020	10	12
	18	18
	21	13
129100-49050	10	36
129100-49800	10	21
129100-49820	10	24
129100-49830	10	25
129100-49840	10	30
	18	21
	21	24
129100-52200	11	90
129100-55650	13	21
129100-55670	13	23
129100-55680	13	24
129100-55690	13	25

## Parts No. Index

Parts No.	Fig. No.	Ref. No.
129100-55700	13	26
129100-59910	12	24
129100-59912	12	24 -1
129100-59920	12	28
129100-59922	12	28 -1
129100-59930	12	32
129100-59932	12	32 -1
129100-59951	13	6
129100-61400	14	16
129100-61440	14	20
129100-61650	14	44
129100-61821	14	47
129100-77330	17	25
129100-77500	5	4
	20	4
129100-77510	5	31
	20	5
129100-77910	20	11
129102-53000	12	2 A
129103-49301	10	18
129107-66810	15	6
129107-66820	15	7
129107-66830	15	3
129111-13670	6	12
129111-13680	6	13
129112-01770	3	22
129120-33001	9	47
129120-33040	9	49
129120-33051	9	50
129120-33060	9	51
129120-35001	9	21
129120-35110	9	52
129120-35121	9	25
	18	17
129120-49030	10	62
129122-12100	5	1
129128-21590	8	12
129128-34800	9	53
129129-14580	7	1
129129-77230	22	8
129129-77240	22	9
129129-77260	22	21
129129-77270	22	22
129129-77290	22	24
129129-77320	22	28
129129-77340	22	30
129129-77350	22	31
129129-77361	22	32
129129-77370	22	33
129129-77380	22	34

Parts No.	Fig. No.	Ref. No.
129129-77400	22	16
129129-77410	22	17
129129-77420	22	19
129129-77430	22	20
129129-77440	22	14
129129-77450	22	15
129131-13520	6	14
129132-12240	5	33
129132-12520	5	22
129132-12570	5	10 -1
129132-12581	5	8
129132-12800	5	11
129132-12810	5	14
129132-12860	5	13
129132-12890	5	16
129132-12900	5	17
129132-13500	6	8
129132-13551	6	9
129132-13561	6	10
129132-44590	10	54
129132-44901	10	53
129132-49050	10	36 -1
129132-61550	14	73
129136-34820	9	55
129136-66800	15	1
129136-66852	15	13
129136-77100	16	32
129136-77101	22	36
129136-77250	17	23
129137-01640	3	23
129137-55700	13	41
129150-01200	1	20
129150-01580	2	4
129150-01600	3	20
129150-01881	2	28
	18	5
129150-02020	1	10
129150-02450	7	5
129150-02870	1	22
129150-02930	1	16
129150-02940	1	25
129150-03020	4	52
129150-03070	4	53
129150-03080	4	54
129150-03100	2	33
	19	11
129150-11230	4	28
129150-11280	4	21
129150-11290	4	22
129150-11310	4	56

Parts No.	Fig. No.	Ref. No.
129150-11310	18	24 B
129150-11370	4	15
129150-11750	4	27
129150-11810	4	36
129150-12100	20	1
129150-12111	5	2
	18	12
	20	2
129150-14101	7	3
129150-14200	7	6
129150-14400	7	7
129150-21200	8	3
129150-23600	8	33
129150-23610	8	36
129150-25101	7	9
129150-25900	11	91
129150-25920	7	14
129150-26000	2	29
129150-26050	2	30
129150-32000	9	1
129150-32020	9	11
	18	15
129150-35041	9	15
	18	16
129150-35091	9	16
129150-35101	9	57
129150-35111	9	58
	18	24 A
129150-35151	9	26
129150-35350	9	35
129150-39450	9	38
129150-49360	10	39
	18	23
	21	30
129150-49811	10	29
	18	20
	21	23
129150-59120	12	20
129150-59131	12	23
129150-59511	13	69
129150-59580	13	5
129150-77511	5	5
	18	7
	20	6
129150-91400	19	25
129155-11241	4	18
129155-11260	4	19
129155-11270	4	20
129155-49800	10	28
129155-51020	11	86

Parts No.	Fig. No.	Ref. No.
129155-51050	11	5
129155-51060	11	6
129155-51140	11	11
129155-51180	11	13
129155-51200	11	15
129155-51250	11	20
129155-51270	11	22
129155-51280	11	23
	14	3
129155-51320	11	27
129155-51340	11	28
129155-51370	11	31
129155-51380	11	32
129155-51390	11	33
129155-51400	11	34
129155-51410	11	35
129155-51420	11	36
129155-51450	11	37
129155-51500	11	42
129155-51521	11	43
129155-51530	11	44
129155-51540	11	45
129155-51550	11	46
129155-51570	11	49
129155-51580	11	50
129155-51591	11	51
129155-51600	11	52
129155-51700	11	71
129155-51710	11	72
129155-51750	11	73
129155-51760	11	74
129155-51790	11	75
129155-51930	11	77
129155-51940	11	78
129155-52050	11	89
129155-61012	14	4
129155-61050	14	5
129155-61060	14	6
129155-61070	14	7
129155-61120	14	8
129155-61130	14	9
129155-61140	14	10
129155-61201	14	11
129155-61341	14	15
129155-61350	14	66
129155-61360	14	67
129155-61430	14	19
129155-61450	14	21
129155-61460	14	22
129155-61470	14	72

## Parts No. Index

Parts No.	Fig. No.	Ref. No.
129155-61480	14	23
129155-61490	14	24
129155-61540	14	43
129155-61590	14	77
129155-61810	14	46
129155-61830	14	48
129155-61950	14	49
129156-51910	11	76
129202-22300	8	21
129255-59580	13	35
129255-61802	14	45
129322-77401	13	34
129335-55700	13	51
129350-49530	10	19
	21	20
129400-01520	19	5
129400-77011	16	1
129400-77401	16	2
129400-77440	16	5
129400-77460	16	7
129400-77470	16	8
129400-77480	16	9
129400-77490	16	10
129400-77510	16	11
129400-77520	16	13
129400-77530	16	14
129400-77571	16	18
129400-77640	16	19
129400-92420	18	1
129403-34800	9	13
129403-49050	10	63
129407-35300	9	27 -1
129407-77010	22	1
129407-77210	22	6
129407-77220	22	7
129407-77250	22	10
129407-77280	22	23
129407-77300	22	25
129407-77310	22	27
129407-77330	22	29
129407-77390	22	13
129407-77410	22	18
129411-55690	13	67
129489-61700	14	70
129500-61501	14	25
129503-53000	12	2 B
129505-51300	11	24
129506-51100	11	8
129550-42350	21	16
129555-59510	13	33

Parts No.	Fig. No.	Ref. No.
129556-12570	5	27
129556-42350	10	35
129566-66880	15	4
129566-66890	15	5
129574-49800	21	22
129795-01780	3	8
129795-01800	2	2
	19	4
129795-01950	2	10
	19	10
	19	10
129795-02411	1	19
129795-11120	4	10
129795-11180	4	11
129795-21661	8	9
129795-49551	10	20
	18	19
	21	21
135210-61090	14	81
171008-77410	16	3
171008-77420	16	4
171008-77450	16	6
171008-77510	16	12
171008-77540	16	15
171008-77650	16	20
171008-77660	16	21
171008-77670	16	22
171008-77720	16	26
171008-77730	16	27
171008-77740	16	28
171051-01921	1	5
171064-44510	10	43
171081-55910	13	48
		62
171301-01600	3	2
171340-21650	8	8
171340-77520	20	7
171350-21590	8	38
171353-61550	14	73 A
171353-61710	14	70 A
171440-44740	21	17
171463-12581	5	30
174100-54120	11	21
174307-51170	11	12
174307-51560	11	48
174307-51700	14	26
194990-22050	2	11
	6	3
22117-040000	14	51
22117-080000	15	8
22190-060002	14	58

Parts No.	Fig. No.	Ref. No.
22190-080002	2	24
	19	23
		24
22190-100002	14	52
22190-120002	14	65
22190-160002	3	26
	11	88
22190-220002	3	15
22217-050000	11	85 A
22217-060000	11	79
22217-120000	11	92
22252-000260	8	22
22272-000040	14	53
22272-000060	14	54
22287-120000	14	55
22351-030016	14	56
22351-040010	8	7
22351-050010	11	80
22351-060012	4	16
22360-080000	15	9
22372-040000	14	57
22451-060000	14	82
22512-070140	7	4
	8	4
23000-016000	10	37
23000-022000	10	64
23000-060000	5	18
		34
		34 -1
23010-038000	10	57
23065-070225	10	48
23065-160800	4	39 -1
23414-080000	9	45
23414-100000	9	23
		46
23414-120000	13	14
23418-060000	13	50
		64
23871-010000	1	6
23871-030000	10	11
		26
	21	12
23881-100002	9	24
23887-100002	14	59
24101-063034	11	81
24105-060064	2	32
24311-000120	4	38
	18	11
24311-000160	2	14
	9	36

Parts No.	Fig. No.	Ref. No.
24311-000160	10	61
	13	28
	19	13
24311-000320	2	15
	4	44
		49
		61
	18	9
	19	14
24311-240100	9	56
	13	29
		44
		56
	14	68
24321-000300	21	32
24321-000650	13	30
24341-000160	11	82
24341-000240	2	26
	18	24
	19	27
24341-000500	4	58
	18	8
25132-003600	10	14 -1
25132-003800	21	15
26014-060252	21	19
26014-060302	10	17
26014-080252	17	26
26014-080702	13	31
26014-080852	13	68
26022-050102	11	83
	14	62
26022-060162	11	84
26023-050102	14	69
26106-060122	2	27
26106-060142	5	19
26106-060162	19	28
26106-060202	14	60
26106-060322	16	29
26106-060402	16	30
26106-080122	2	16
	15	10
		11
	19	15
26106-080142	4	41
	5	20
26106-080162	2	17
	3	16
	4	59
	7	13
	19	16



## Parts No. Index

Parts No.	Fig. No.	Ref. No.
26106-080162	19	17
26106-080182	21	33
26106-080202	9	59
	10	31
	19	18
	21	25
26106-080252	3	17
	4	33
	5	3
		21
	9	37
	10	32
	20	3
26106-080302	3	9
26106-080352	3	10
	9	20
26106-080402	6	4
	20	8
26106-080452	2	18
	3	18
		18 -1
	7	12
	19	19
26106-080502	3	27
	4	34
	10	33
	17	27
26106-080552	2	19
	5	6
	19	20
26106-080602	10	13
		34
	21	14
26106-080802	20	9
26106-080852	2	20
	19	21
26106-080952	2	21
26116-050102	15	12
26116-050302	11	85
26116-060162	10	27
26116-120252	16	31
	22	35
26206-100202	3	21
26206-100252	3	3
26206-100302	3	4
26216-060202	4	6
26216-080222	6	5
26216-080402	2	22
	6	6
26226-080182	4	29

Parts No.	Fig. No.	Ref. No.
26366-060002	4	17
26366-080002	2	11 -1
		23
	14	61
	17	24
	19	22
26450-060252	9	12
26687-120002	14	71
26716-060002	11	87
26716-120002	11	93
26756-060002	14	63
26776-120002	14	64
27231-500000	1	7
27241-120000	1	8
27241-300000	1	9
27241-400000	4	7
27310-080000	4	12 -1
28110-100120	18	28
28110-140170	18	29
711100-51540	11	16
719810-01500	19	1
721521-49100	10	58
729002-01560	1	1
729102-01540	3	12
729102-53100	12	1 A
729211-51370	11	1 B
729211-51380	11	1 A
729211-92610	18	2
729211-92650	18	2 A
729213-51370	11	1 C
729402-11650	4	25
729402-23100	8	29
729503-53100	12	1 B
977770-01212	18	25
X0280210230	22	11
X0283060061	22	2
X0283270140	22	12
X0289030010	22	3
X9490561370	22	4
X9491200240	22	5
X9491730461	22	26

Parts No.	Fig. No.	Ref. No.
-----------	----------	----------

Parts No.	Fig. No.	Ref. No.
-----------	----------	----------