

OCD10-M49500EN

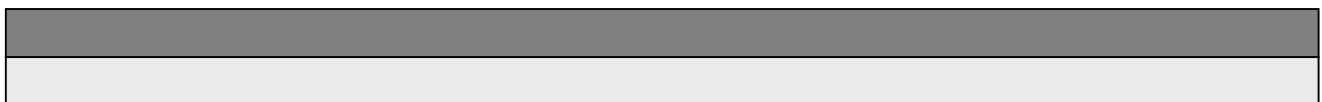
PREFACE

1. This Parts Catalog is the 1st edition of 4TNE88-YB Diesel Engine for YUTANI IND.-COBELCO.

Pub. No. : 000Y00D4950
Published : December, 1993

2. Model name

Engine model	Vehicle		Vehicle made by
	Products	Model name	
4TNE88-YB	EXCAVATOR	—	YUTANI IND.-COBELCO



Contents

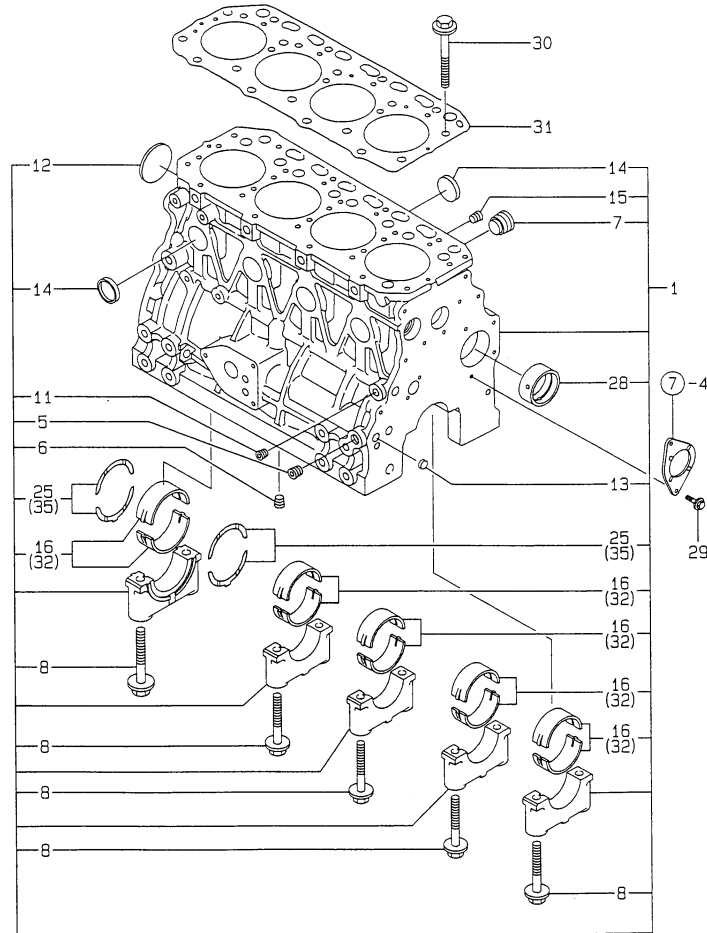
OCD10-M49500

Fig. No.	Fig. Name	Fig. No.	Fig. Name
ENGINE 4TNE88-YB			
1.	CYLINDER BLOCK		
2.	GEAR HOUSING		
3.	FLYWHEEL HOUSING & OIL SUMP		
4.	CYLINDER HEAD & BONNET		
5.	SUCTION MANIFOLD & AIR CLEANER		
6.	EXHAUST MANIFOLD		
7.	CAMSHAFT & DRIVING GEAR		
8.	CRANKSHAFT & PISTON		
9.	LUB.OIL SYSTEM		
10.	COOLING WATER SYSTEM		
11.	FUEL INJECTION PUMP		
12.	GOVERNOR		
13.	FUEL INJECTION VALVE		
14.	FUEL FILTER		
15.	ENGINE STOP DEVICE		
16.	STARTING MOTOR		
17.	GENERATOR		
18.	GASKET SET		

Fig.1. CYLINDER BLOCK

Y00D4950
4TNE88-YB

029407-01100
029405-01820
029407-02100



(A)=4TNE88-YB
(B)=
(C)=

(D)=
(E)=
(F)=

No.	Lev.	Parts No.	Description	Q'ty						I	R
				(A)	(B)	(C)	(D)	(E)	(F)		
1	1	729407-01561	BLOCK ASSY, CYLINDER	1							
5	2	124160-01910	PLUG, PT1/4	2							
6	2	124160-01910	PLUG, PT1/4	1							
7	2	171051-01921	PLUG, NPTF1	1							
8	2	129150-02020	BOLT, METAL CAP	10							
11	2	23871-010000	PLUG, R01	1							
12	2	27231-500000	PLUG 50	1							
13	2	27241-120000	PLUG, 12	2							
14	2	27241-300000	PLUG 30	8							
15	2	23871-030000	PLUG, R03	1							
16	2	129001-02800	BEARING, MAIN	5							
25	2	129150-02930	BEARING, THRUST	2							
28	2	129795-02411	BUSH, CAMSHAFT	1							
29	1	26106-080162	BOLT, M8X 16 PLATED	2							
30	1	129150-01200	BOLT, HEAD	18							
31	1	129407-01340	GASKET, HEAD	1							G
32	1	129150-02870	BEARING, 0.25 US	5							1
35	1	129150-02940	BEARING, THRUST 0.25	2							2

Remarks

- (1) UNDER-SIZED(U.S=0.25)PART.
- (2) OVER-SIZED(O.S=0.25)PART.
- (G) THESE PARTS ARE SOLD BY FIG.18,REF.NO.1,1-1.

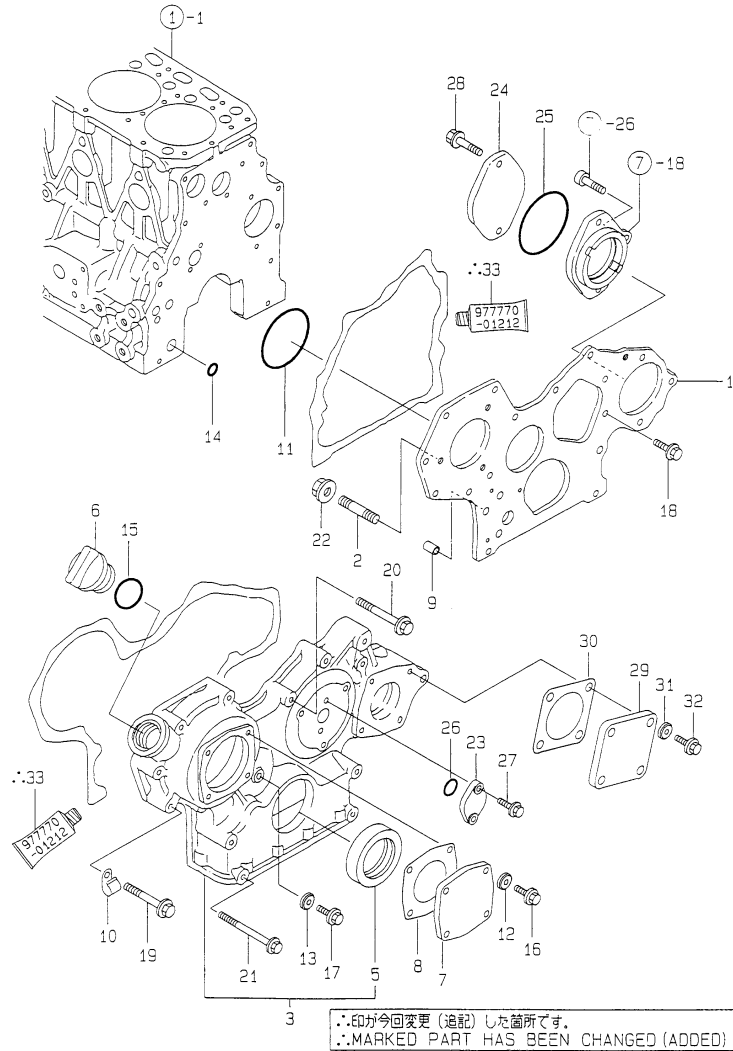
Fig.2. GEAR HOUSING

(A)=4TNE88-YB
(B)=
(C)=

(D)=
(E)=
(F)=

Y00D4950
4TNE88-YB

発行No. 000Y00D4950-1
更新年月 : 1996. 6
REVISED : Jun., 1996



No.	Lev.	Parts No.	Description	Q'ty						I	R
				(A)	(B)	(C)	(D)	(E)	(F)		
1	1	171353-01520	FLANGE, GEAR CASE	1							
2	1	121450-01560	STUD, M8X22	3							
3	1	171353-01580	CASE ASSY, GEAR	1							
5	2	129795-01800	SEAL, OIL	1							
6	1	124160-01751	COVER, FILLER	1							
7	1	124240-01871	COVER	1							
8	1	124240-01883	GASKET	1							G
9	1	129795-01950	PIPE, KNOCK L=18	2							
10	1	129150-03100	RETAINER, PIPE	1							
11	1	121850-51960	O-RING	1							G
12	1	22190-080002	WASHER, SEAL 6	4							G
13	1	22190-080002	WASHER, SEAL 6	1							G
14	1	24311-000160	O-RING, 1AP16.0	2							G
15	1	24311-000320	O-RING, 1AP32.0	1							G
16	1	26106-080122	BOLT, M8X 12 PLATED	4							
17	1	26106-080162	BOLT, M8X 16 PLATED	1							
18	1	26106-080162	BOLT, M8X 16 PLATED	3							
19	1	26106-080452	BOLT, M8X 45 PLATED	6							
20	1	26106-080552	BOLT, M8X 55 PLATED	3							
21	1	26106-080852	BOLT, M8X 85 PLATED	4							
22	1	26366-080002	NUT, M8	3							
23	1	121023-01550	COVER	1							
24	1	121023-26070	COVER	1							
25	1	24321-000850	O-RING, 1AG85.0	1							
26	1	24341-000240	O-RING, 1AS24.0	1							G
27	1	26106-060122	BOLT, M6X 12 PLATED	2							
28	1	26106-100452	BOLT, M10X 45 PLATED	2							
29	1	124240-01871	COVER	1							
30	1	124240-01883	GASKET	1							
31	1	22190-080002	WASHER, SEAL 6	4							
32	1	26106-080162	BOLT, M8X 16 PLATED	4							
33	1	977770-01212	GASKET, LIQUID	1							W 1

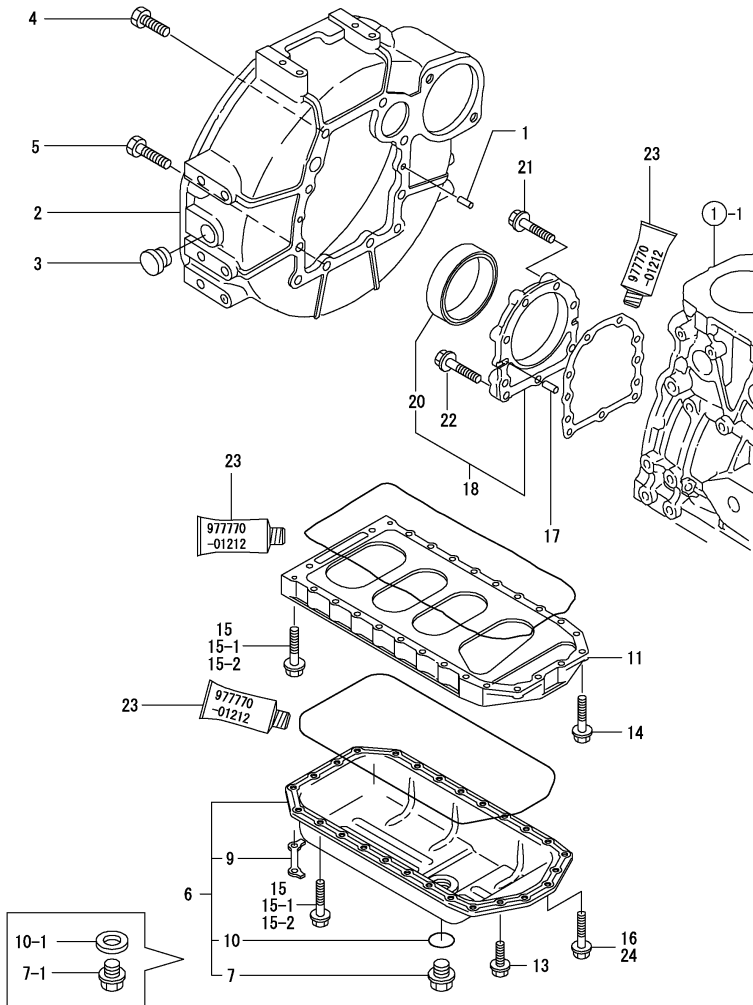
(A=EXXX)

Remarks
(G) THESE PARTS ARE SOLD BY
FIG.18, REF.NO.1, 1-1.
(1) OPTIONAL PART.

Fig.3. FLYWHEEL HOUSING & OIL SUMP

(A)=4TNE88-YB
(B)=
(C)=

(D)=
(E)=
(F)=



No.	Lev.	Parts No.	Description	Q'ty						I	R
				(A)	(B)	(C)	(D)	(E)	(F)		
1	1	129100-01580	PIN, M8X16	2							
2	1	171301-01600	HOUSING, FLYWHEEL	1							
3	1	119620-01750	CAP	1							
4	1	26206-100252	BOLT, M10X 25 PLATED	6							
5	1	26206-100302	BOLT, M10X 30 PLATED	4							
6	1	729402-01540	SUMP ASSY, OIL	1							
7	2	171301-01640	PLUG, 22	1							
7-1	2	119640-01640 (A=E01306)	PLUG, DRAIN M22	1						S	1
9	2	129100-01790 (A=E00773)	RETAINER	2							Z
10	2	24341-000240	O-RING, 1AS24.0	1							G
10-1	2	22190-220002 (A=E01306)	WASHER, SEAL 22	1						S	1
11	1	129400-01730	SPACER, OIL SUMP	1							
13	1	26106-080162	BOLT, M8X 16 PLATED	4							
14	1	26106-080252	BOLT, M8X 25 PLATED	2							
15	1	26106-080452	BOLT, M8X 45 PLATED	20							
15-1	1	26106-080452 (A=E00773)	BOLT, M8X 45 PLATED	24							K
15-2	1	26106-080452 (A=FROM 1ST)	BOLT, M8X 45 PLATED	20							K
16	1	26106-080502 (A=E00773)	BOLT, M8X 50 PLATED	4							Z
17	1	129100-01580	PIN, M8X16	2							
18	1	129100-01640	CASE ASSY, OIL SEAL	1							
20	2	129795-01780	SEAL, OIL	1							
21	1	26106-080302	BOLT, M8X 30 PLATED	6							
21-1	1	129486-01670 (A=*1996.06)	BOLT, M8X30	6							R
22	1	26106-080352	BOLT, M8X 35 PLATED	3							
23	1	977770-01212 (A=E00773)	GASKET, LIQUID	1							W 2
24	1	26106-080502 (A=FROM 1ST)	BOLT, M8X 50 PLATED	4							W

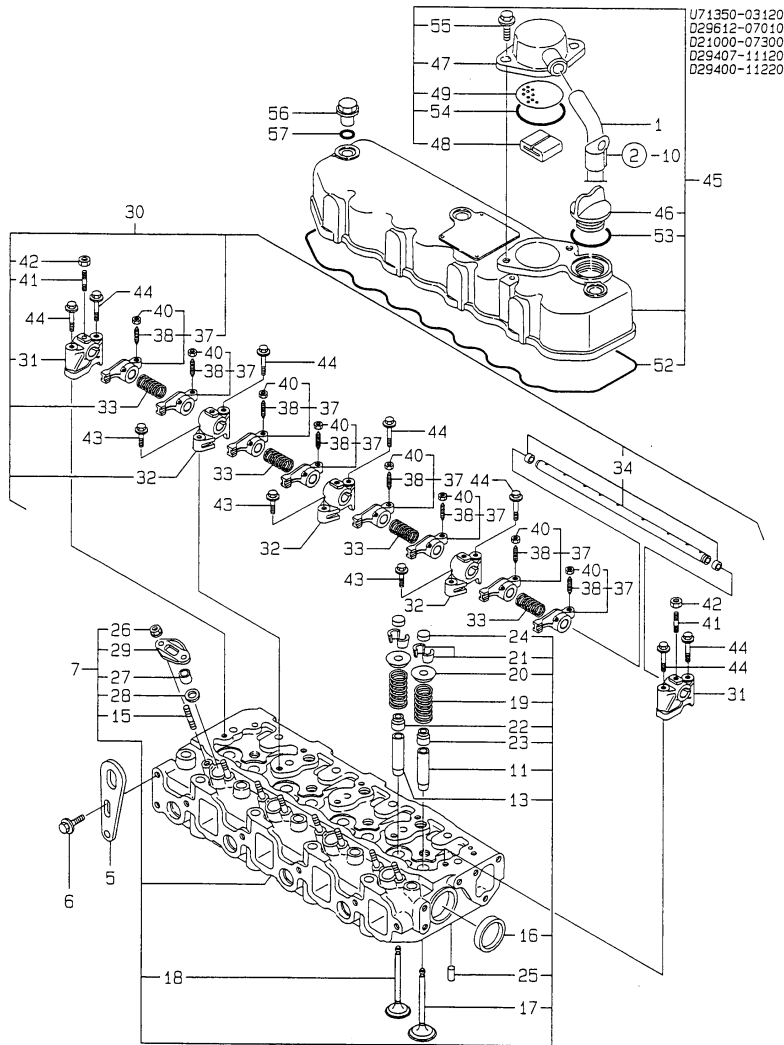
Remarks
(G) THESE PARTS ARE SOLD BY FIG.18,REF.NO.1,1-1.
(1) REF.NO.7-1 & 10-1 INTERCHANGEABLE BY SET.
(2) OPTIONAL PART.

Fig.4. CYLINDER HEAD & BONNET

(A)=4TNE88-YB
(B)=
(C)=

(D)=
(E)=
(F)=

Y00D4950
4TNE88-YB



No.	Lev.	Parts No.	Description	Q'ty						I	R
				(A)	(B)	(C)	(D)	(E)	(F)		
1	1	171350-03090	PIPE , BREATHER 900	1							
5	1	124736-07900	LIFTER	2							
6	1	26106-080142	BOLT, M8X 14 PLATED	4							
7	1	129407-11700	HEAD ASSY, CYLINDER	1							
11	2	120130-11860	GUIDE, VALVE	4							1
13	2	129150-11810	GUIDE, VALVE	4							1
15	2	26216-060202	STUD, M6X 20	8							
16	2	27241-400000	PLUG, 40	2							
17	2	129100-11100	VALVE, INTAKE	4							
18	2	129100-11110	VALVE, EXHAUST	4							
19	2	129795-11120	SPRING, VALVE	8							
20	2	129795-11180	RETAINER, SPRING	8							
21	2	103338-11190	COTTER	8							
21-1	2	27310-080001	COTTER, 8	8							R
(A=EXXXXX)											
22	2	121400-11340	SEAL, VALVE STEM	4							G
23	2	124460-11340	SEAL, VALVE STEM	4							G
24	2	129150-11370	CAP, VALVE	8							
25	2	22351-060012	PIN, SPRING 6.0X12	2							
26	2	26366-060002	NUT, M6	8							
27	2	119625-11870	PROTECTOR, NOZZLE	4							G
27-1	2	119625-11871	PROTECTOR, NOZZLE	4							R G
(A=E01443)											
28	2	119625-11880	SEAT, NOZZLE	4							G
29	2	119625-11900	RETAINER, NOZZLE	4							
30	1	129555-11241	SHAFT ASSY, ROCKER	1							
31	2	129155-11260	SUPPORT, ROCKER ARM	2							
32	2	129155-11270	SUPPORT, ROCKER ARM	3							
33	2	129150-11280	SPRING	4							
34	2	129550-11290	SHAFT, ROCKER ARM	1							
37	2	729402-11650	ARM ASSY, ROCKER	8							
38	3	129150-11230	SCREW, VALVE ADJUST	8							
40	3	129150-11750	NUT, M8	8							
41	2	26226-080182	STUD, M8X 18	3							
42	2	26756-080002	NUT, LOCK M8	3							
43	1	26106-080252	BOLT, M8X 25 PLATED	3							
44	1	26106-080502	BOLT, M8X 50 PLATED	7							
45	1	129400-11350	BONNET ASSY, HEAD	1							
46	2	124160-01751	COVER, FILLER	1							
47	2	129150-03020	COVER, BREATHER	1							
48	2	129150-03070	BAFFLE, BREATHER	1							
49	2	129150-03080	PLATE, BAFFLE	1							
52	2	129550-11310	GASKET, BONNET	1							G
53	2	24311-000320	O-RING, 1AP32.0	1							G
54	2	24341-000500	O-RING, 1AS50.0	1							G
55	2	26106-080162	BOLT, M8X 16 PLATED	2							
56	1	124160-11360	KNOB	3							
57	1	24311-000120	O-RING, 1AP12.0	3							G

Remarks
(1) REPAIR PART.
(G) THESE PARTS ARE SOLD BY
FIG.18,REF.NO.1,1-1.

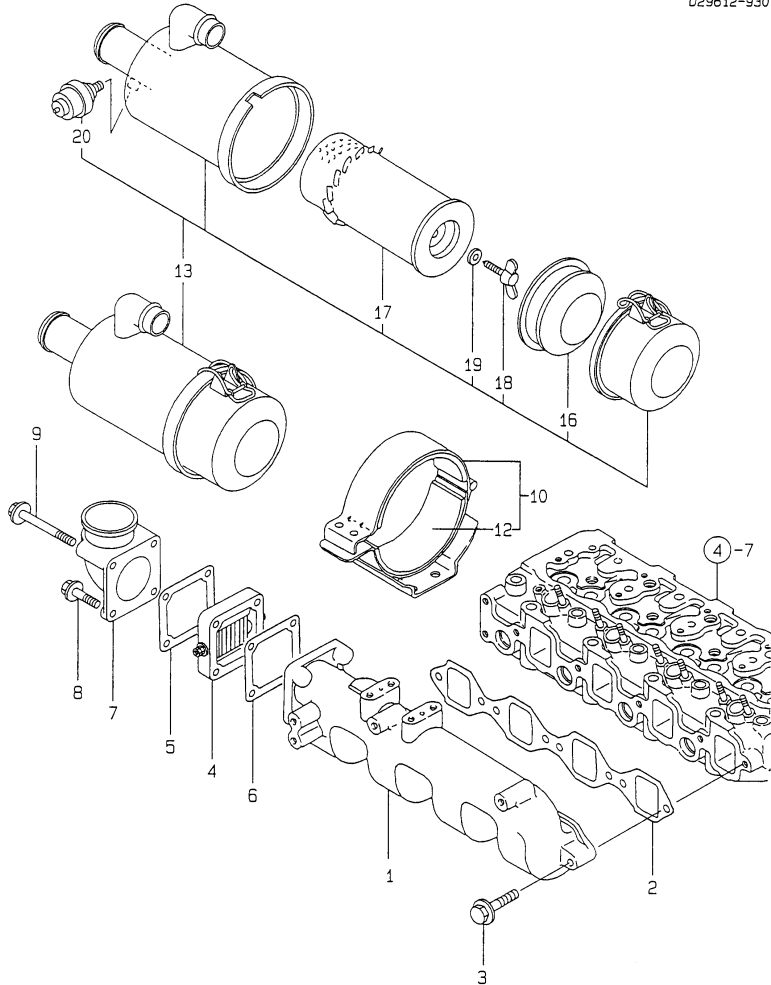
Fig.5. SUCTION MANIFOLD & AIR CLEANER

(A)=4TNE88-YB
(B)=
(C)=

(D)=
(E)=
(F)=

Y00D4950
4TNE88-YB

D29488-12100
U71353-77501
D29612-93010



No.	Lev.	Parts No.	Description	Q'ty						I	R
				(A)	(B)	(C)	(D)	(E)	(F)		
1	1	129488-12100	MANIFOLD, AIR INTAKE	1							
2	1	129550-12111	GASKET, MANIFOLD	1							G
3	1	26106-080352	BOLT, M8X 35 PLATED	5							
4	1	129100-77500	HEATER, AIR 12V	1							
5	1	129100-77510	GASKET	1							
6	1	129150-77511	GASKET	1							G
7	1	171340-77520	BEND	1							
8	1	26106-080402	BOLT, M8X 40 PLATED	2							
9	1	26106-080802	BOLT, M8X 80 PLATED	2							
10	1	129132-12581	SUPPORT ASSY,CLEANER	1							
12	2	119640-12580	SEAT, RUBBER	2							
12-1	2	129132-12570	SEAT, RUBBER	2							N
(A=E01887)											
13	1	129132-12530	CLEANER ASSY, AIR	1							
16	2	121120-12541	RETAINER, ELEMENT	1							
17	2	121120-18901	ELEMENT	1							
18	2	121120-12561	BOLT	1							
19	2	121120-12571	WASHER, SEAL	1							
20	2	121262-12800	INDICATOR	1							

Remarks
(G) THESE PARTS ARE SOLD BY
FIG.18,REF.NO.1,1-1.

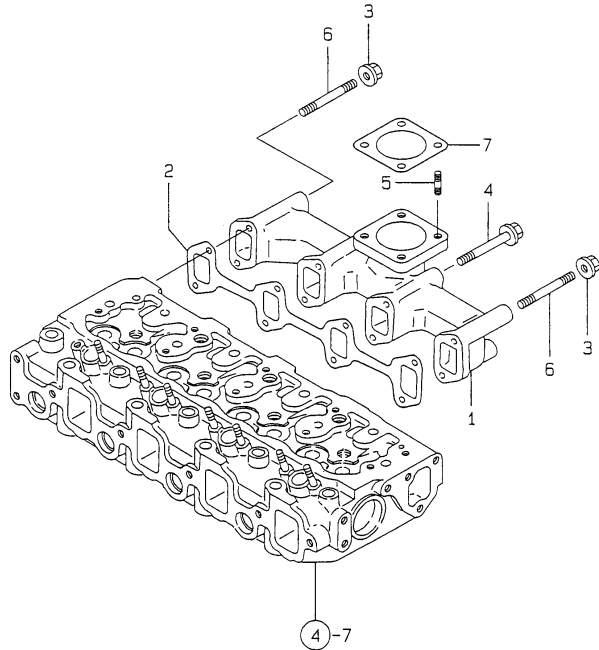
Fig.6. EXHAUST MANIFOLD

(A)=4TNE88-YB
(B)=
(C)=

(D)=
(E)=
(F)=

Y00D4950
4TNE88-YB

029411-13100
029612-93010



No.	Lev.	Parts No.	Description	Q'ty						I	R
				(A)	(B)	(C)	(D)	(E)	(F)		
1	1	129411-13100	MANIFOLD, EXHAUST	1							
2	1	129550-13110	GASKET	1							G
3	1	194990-22050	NUT, M8	2							
4	1	26106-080802	BOLT, M8X 80 PLATED	6							
5	1	26216-080222	STUD, M8X 22	4							
6	1	26216-080802	STUD, M8X 80	2							
7	1	129400-13201	GASKET, SILENCER	1							G

Remarks
(G) THESE PARTS ARE SOLD BY
FIG.18,REF.NO.1,1-1.

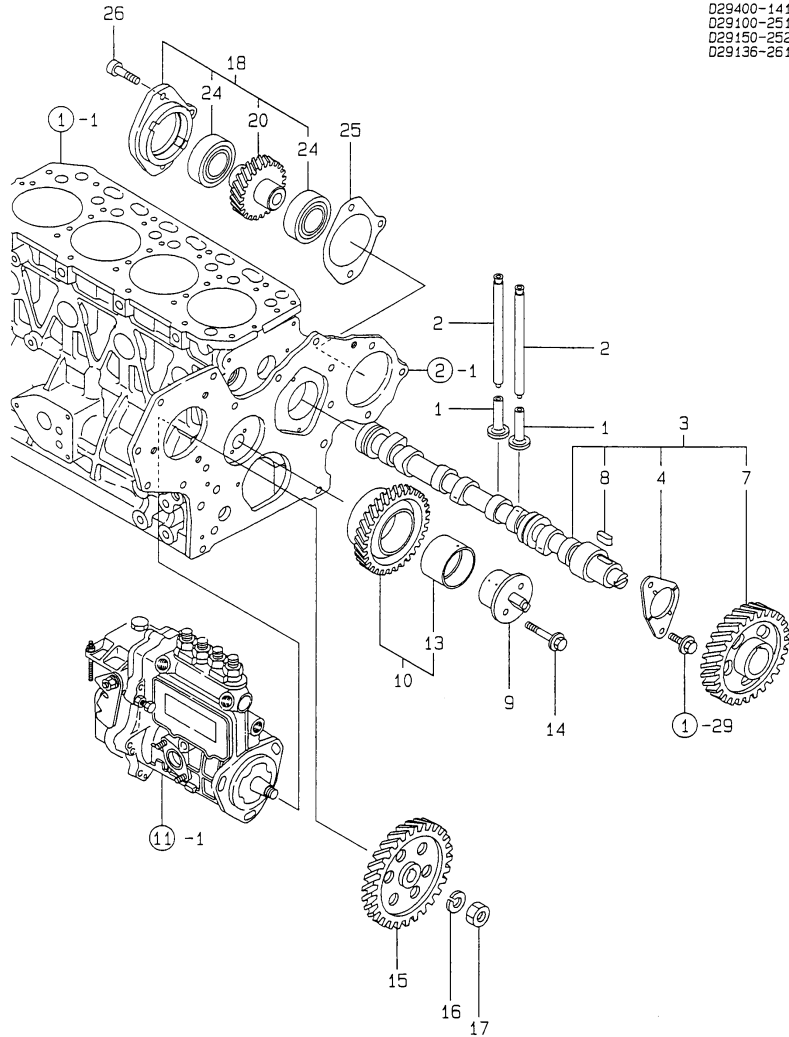
Fig.7. CAMSHAFT & DRIVING GEAR

(A)=4TNE88-YB
(B)=
(C)=

(D)=
(E)=
(F)=

Y00D4950
4TNE88-YB

029400-14110
029100-25101
029150-25200
029136-26120



No.	Lev.	Parts No.	Description	Q'ty						I	R
				(A)	(B)	(C)	(D)	(E)	(F)		
1	1	129150-14200	TAPPET	8							
2	1	129150-14400	ROD, PUSH L=178	8							
3	1	729402-14580	CAMSHAFT ASSY	1							
4	2	129150-02450	BEARING, THRUST	1							
7	2	129150-14101	GEAR, CAMSHAFT	1							
8	2	22512-070140	KEY, 7X 14	1							
9	1	129100-25061	SHAFT, IDLE	1							
10	1	129150-25101	GEAR ASSY, IDLE	1							
13	2	129150-25920	BUSH, IDLE GEAR	1							1
14	1	26106-080452	BOLT, M8X 45 PLATED	2							
15	1	129150-25900	GEAR, PUMP	1							
16	1	22217-120000	WASHER, SPRING 12	1							
17	1	26716-120002	NUT, M12	1							
18	1	129136-26000	DRIVE ASSY, PUMP	1							
20	2	129136-26200	GEAR ASSY	1							
24	2	24105-060064	BEARING, BALL 6006Z	2							
25	1	171353-26081	GASKET	1							
26	1	26450-080282	BOLT, M8X 28	1							

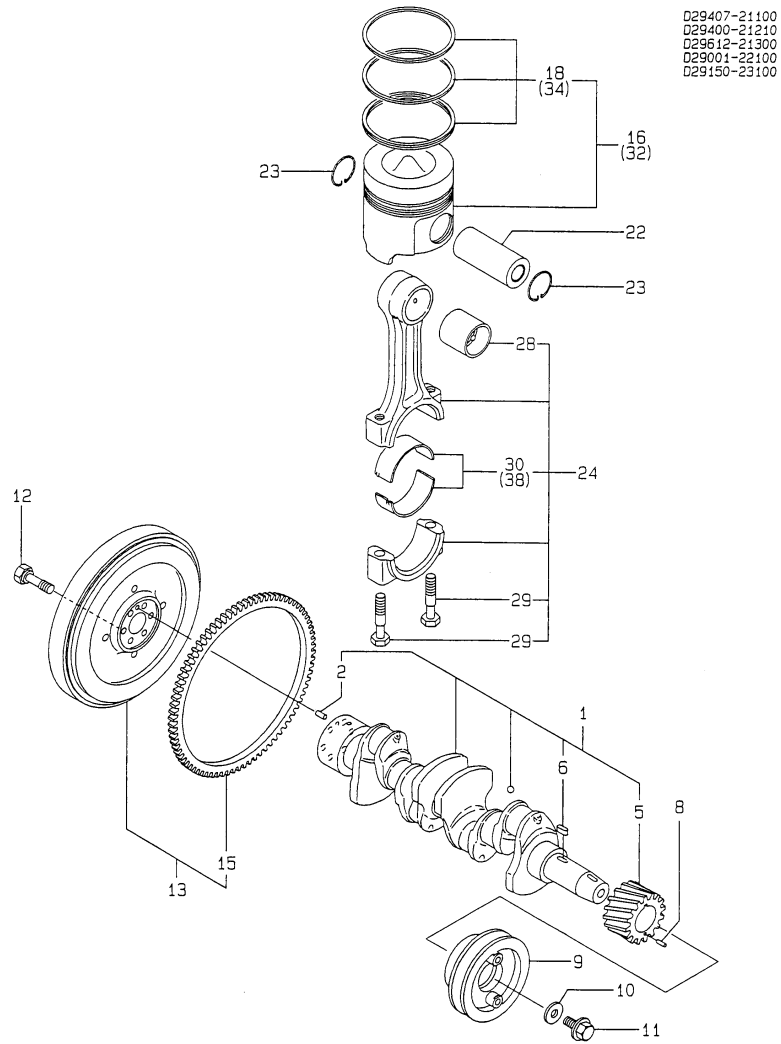
Remarks
(1) REPAIR PART.

Fig.8. CRANKSHAFT & PISTON

(A)=4TNE88-YB
(B)=
(C)=

(D)=
(E)=
(F)=

Y00D4950
4TNE88-YB



No.	Lev.	Parts No.	Description	Q'ty						I	R
				(A)	(B)	(C)	(D)	(E)	(F)		
1	1	129407-21000	CRANKSHAFT ASSY	1							
2	2	129100-01580	PIN, M8X16	1							
5	2	129150-21200	GEAR, CRANKSHAFT	1							
6	2	22512-070140	KEY, 7X 14	1							
8	1	22351-040010	PIN, SPRING 4.0X10	1							
9	1	129550-21650	V-PULLEY	1							
10	1	129795-21661	WASHER	1							
11	1	121850-21680	BOLT	1							
12	1	121111-21501	BOLT, FLYWHEEL	6							
13	1	129612-21580	FLYWHEEL ASSY	1							
13-1	1	129612-21581	FLYWHEEL ASSY	1							N
(A=E01001)											
15	2	119865-21600	GEAR, RING	1							
16	1	129001-22081	PISTON ASSY	4							
18	2	129001-22500	RING SET, PISTON	4							
22	1	129202-22300	PIN, PISTON D26 L70	4							
23	1	22252-000260	RING, 26	8							
24	1	729402-23100	ROD ASSY, CONNECTING	4							
28	2	129100-23910	BEARING, PISTON PIN	4							1
29	2	121550-23200	BOLT, CONNECTING ROD	8							
30	2	129150-23600	BEARING, CRANK PIN	4							
32	1	129001-22901	PISTON ASSY, 0.25 OS	4							2
34	2	129001-22950	RING SET, 0.25 OS	4							2
38	1	129150-23610	BEARING, 0.25 US	4							3

Remarks

- (1) REPAIR PART.
- (2) OVER-SIZE (O.S=0.25) PART.
- (3) UNDER-SIZE(U.S=0.25) PART.

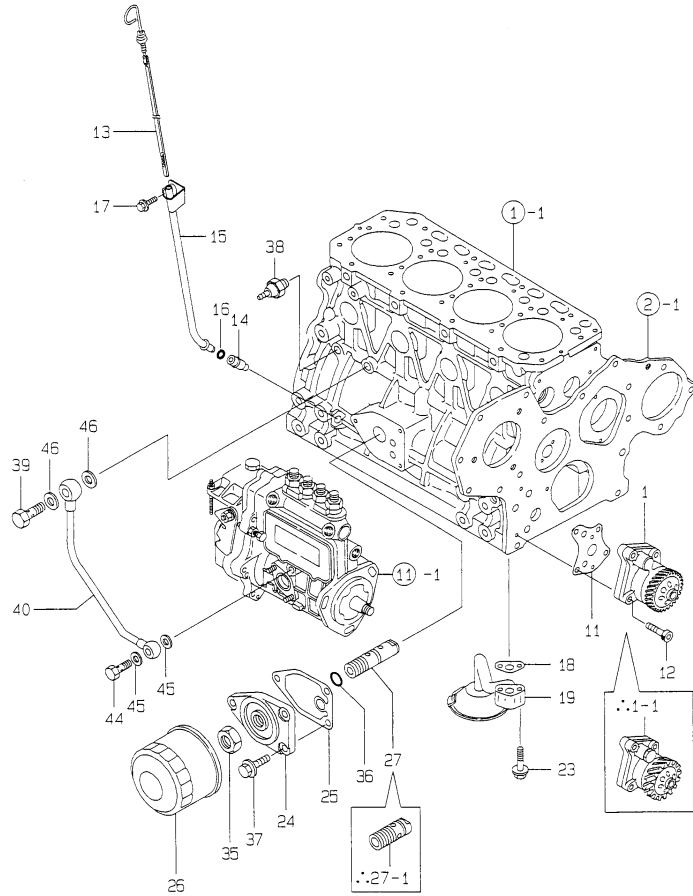
Fig.9. LUB.OIL SYSTEM

(A)=4TNE88-YB
(B)=
(C)=

(D)=
(E)=
(F)=

Y00D4950
4TNE88-YB

発注No. 00010004950-1
更新年月 : 1998. 6
REVISED : Jun. 1998



印が今回変更 (追加) した箇所です。
.: MARKED PART HAS BEEN CHANGED (ADDED).

No.	Lev.	Parts No.	Description	Q'ty						I	R
				(A)	(B)	(C)	(D)	(E)	(F)		
1	1	129150-32000	PUMP ASSY, OIL	1							
1-1	1	129407-32000	PUMP ASSY, OIL	1						S	1
(A=E01887)											
11	1	129150-32020	GASKET, PUMP	1							G
12	1	26450-060252	BOLT, M6X 25	4							
13	1	129128-34800	DIPSTICK, OIL	1							
14	1	119260-34810	GUIDE, DIPSTICK	1							
15	1	129136-34820	GUIDE, DIPSTICK	1							
16	1	24311-240100	O-RING, 1AP10A	1							
17	1	26106-080252	BOLT, M8X 25 PLATED	1							
18	1	129150-35041	GASKET	1							G
19	1	129150-35091	PIPE ASSY, OIL INLET	1							
23	1	26106-080352	BOLT, M8X 35 PLATED	2							
24	1	129150-35101	BRACKET, STRAINER	1							
25	1	129150-35111	GASKET	1							G
26	1	129150-35151	FILTER, D80XL80	1							
27	1	119865-35300	VALVE ASSY, CONTROL	1							
27-1	1	129001-35300	BOLT, FILTER	1						S	1
(A=E01887)											
35	1	129150-35350	NUT	1							
36	1	24311-000160	O-RING, 1AP16.0	1							G
37	1	26106-080202	BOLT, M8X 20 PLATED	3							
38	1	124160-39450	SWITCH, 0.5KG	1							
39	1	124160-39140	BOLT, PIPE JOINT M10	1							
40	1	129550-39450	PIPE ASSY, OIL	1							
44	1	124550-59820	BOLT, PIPE JOINT M8	1							
45	1	22190-080002	WASHER, SEAL 6	2							G
46	1	23414-100000	GASKET, 10X1.0	2							G

Remarks
(G) THESE PARTS ARE SOLD BY
FIG.18, REF.NO.1, 1-1.
(1) REF.NO.1-1 & 27-1 INTERCHANGEABLE
BY SET.

Fig.10. COOLING WATER SYSTEM

(A)=4TNE88-YB

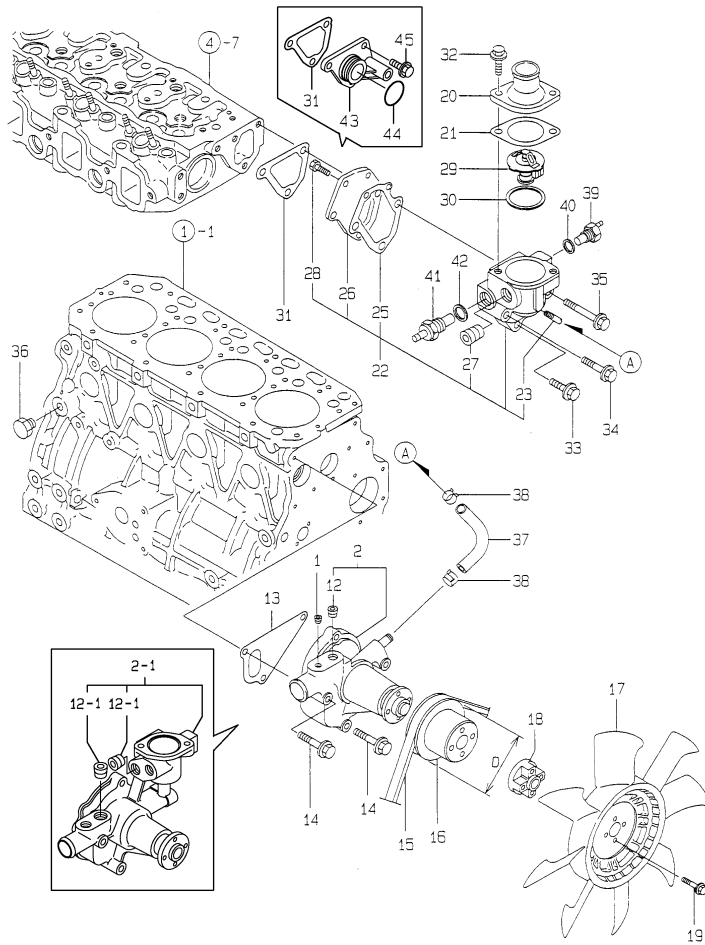
(B)=

(C)=

(D)=

(E)=

(F)=



No.	Lev.	Parts No.	Description	Q'ty						I	R
				(A)	(B)	(C)	(D)	(E)	(F)		
1	1	121850-11860 (A=E10838)	PLUG, PT1/4	1							Z
2	1	129100-42002	PUMP ASSY, WATER	1							
2-1	1	129001-42001 (A=E10838)	PUMP ASSY, WATER	1							F 2
2-2	1	129001-42002 (A=E12898)	PUMP ASSY, WATER	1							N
2-3	1	129001-42003 (A=E44800)	PUMP ASSY, WATER	1							N
12	2	23871-030000	PLUG, R03	1							
12-1	2	23871-030000 (A=E10838)	PLUG, R03	2							K
12-2	2	23876-030000 (A=E10838)	PLUG, R03	2							N
13	1	129100-42020	GASKET, WATER PUMP	1							G
13-1	1	129486-42021	GASKET, WATER PUMP	1							N
14	1	26106-080602	BOLT, M8X 60 PLATED	3							
15	1	119865-42290	V-BELT, A36.5	1							
15-1	1	124732-42290 (A=E00903)	V-BELT, AX37	1							S
15-2	1	25132-003700 (A=E01306)	V-BELT, A37	1							R
16	1	129155-42350	V-PULLEY	1							
16-1	1	129403-42380 (A=E00903)	V-PULLEY, D=110	1							S 1
17	1	129436-44740	FAN, COOLING D410	1							
18	1	121267-44760	SPACER	1							
19	1	26014-060302	BOLT, M6X 30	4							
20	1	129350-49530	COVER, THERMOSTAT	1							
20-1	1	129350-49560 (A=E10838)	COVER, THERMOSTAT	1							F 2
21	1	129795-49551 (A=E10838)	GASKET	1							G
22	1	129100-49800 (A=E10838)	CASE ASSY, THERMOSTAT	1							Z
23	2	124770-11770 (A=E10838)	JOINT, PIPE PT1/8	1							Z
25	2	129100-49820 (A=E10838)	GASKET	1							Z
26	2	129100-49830 (A=E10838)	COVER, THERMOSTAT	1							Z
27	2	23871-030000 (A=E10838)	PLUG, R03	1							Z
28	2	26116-060162 (A=E10838)	BOLT, M6X 16 PLATED	2							Z
29	1	129155-49800	THERMOSTAT, 71	1							
30	1	129150-49811	GASKET, THERMOSTAT	1							G
31	1	129100-49840	GASKET	1							G
31-1	1	124395-49840 (A=E10838)	GASKET	1							N
32	1	26106-080202 (A=E10838)	BOLT, M8X 20 PLATED	2							Z
33	1	26106-080252	BOLT, M8X 25 PLATED	1							Z

Remarks

(G) These parts are sold by Fig.18 Ref.No.1, 1-1.

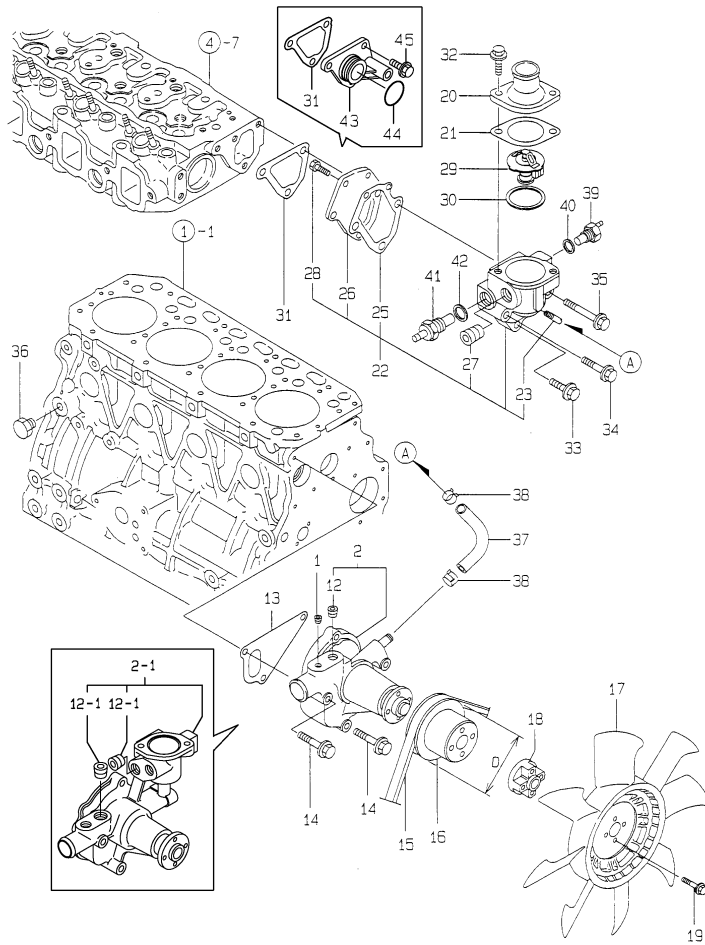
(1) D=Ref.No.16 90mm, 16-1 110mm.

(2) Interchangeable by simultaneous replacement with Ref.No.2-1, 20-1 and Fig.17 Ref.No.25-1.

Fig.10. COOLING WATER SYSTEM

(A)=4TNE88-YB
(B)=
(C)=

(D)=
(E)=
(F)=



No.	Lev.	Parts No.	Description	Qty						I	R
				(A)	(B)	(C)	(D)	(E)	(F)		
		(A=E10838)									
34	1	26106-080502	BOLT, M8X 50 PLATED	1							Z
		(A=E10838)									
35	1	26106-080602	BOLT, M8X 60 PLATED	1							Z
		(A=E10838)									
36	1	171056-49120	PLUG, DRAIN	1							
37	1	129100-49050	PIPE, WATER	1							
37-1	1	129132-49050	PIPE, WATER	1							N
		(A=E01707)									
37-2	1	129132-49050	PIPE, WATER	1							Z
		(A=E10838)									
38	1	23000-016000	CLAMP, 16	2							Z
		(A=E10838)									
39	1	121250-44901	SWITCH, 110	1							
40	1	124465-44950	GASKET, 16	1							
41	1	124250-49351	SENSOR	1							
42	1	129150-49360	GASKET	1							
43	1	129001-42040	JOINT	1							W
		(A=E10838)									
44	1	24321-000300	O-RING, 1AG30.0	1							W
		(A=E10838)									
44-1	1	129486-42140	O-RING, G30	1							N
		(A=E44035)									
45	1	26106-080182	BOLT, M8X 18 PLATED	3							W
		(A=E10838)									
45-1	1	26106-080162	BOLT, M8X 16 PLATED	3							N
		(A=E12898)									

Remarks

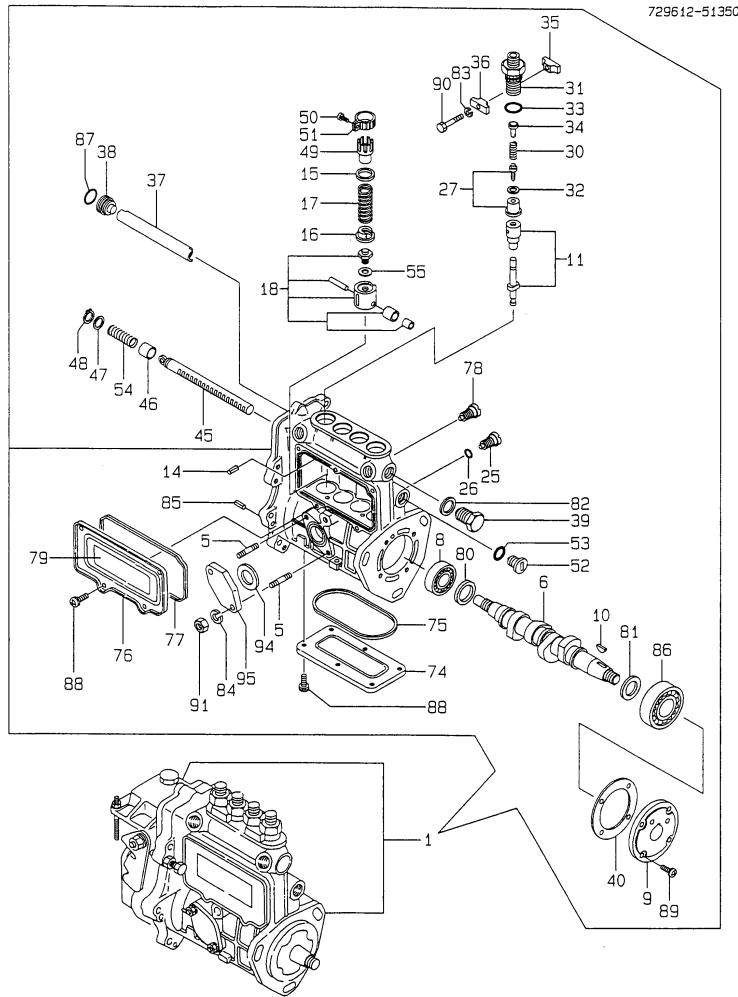
- (G) These parts are sold by Fig.18 Ref.No.1, 1-1.
- (1) D=Ref.No.16 90mm, 16-1 110mm.
- (2) Interchangeable by simultaneous replacement with Ref.No.2-1, 20-1 and Fig.17 Ref.No.25-1.

Fig.11. FUEL INJECTION PUMP

(A)=4TNE88-YB
(B)=
(C)=

(D)=
(E)=
(F)=

Y00D4950
4TNE88-YB



No.	Lev.	Parts No.	Description	Qty						I	R
				(A)	(B)	(C)	(D)	(E)	(F)		
1	1	729612-51350	PUMP ASSY, INJECTION	1							1
5	2	129155-51020	STUD	2							
6	2	129470-51040	CAMSHAFT	1							
8	2	129155-51050	BEARING, 17BM001D	1							
9	2	129155-51060	SUPPORT, CAMSHAFT	1							
10	2	122710-51090	KEY	1							
11	2	129506-51100	PLUNGER ASSY	4							
14	2	129155-51140	PIN	4							
15	2	174307-51170	RETAINER, SPRING A	4							
16	2	129155-51180	RETAINER, SPRING	4							
17	2	124950-51190	SPRING, PLUNGER	4							
18	2	129155-51200	TAPPET ASSY	4							
25	2	129155-51270	STOPPER, TAPPET	4							
26	2	129155-51280	O-RING, S6	4							
27	2	129505-51300	VALVE ASSY, DELIVERY	4							
30	2	129155-51320	SPRING, DELIVERY	4							
31	2	129155-51340	RETAINER	4							
32	2	124550-51350	GASKET, DELIVERY	4							
33	2	124550-51370	O-RING	4							
34	2	129155-51370	STOPPER, VALVE	4							
35	2	129155-51380	STOPPER	2							
36	2	129155-51390	STOPPER	2							
37	2	129555-51400	DEFLECTOR	1							
38	2	129155-51410	BOLT	1							
39	2	129155-51420	PLUG, M16	1							
40	2	129155-51450	SHIM SET, ADJUSTING	1							
45	2	129555-51500	RACK, CONTROL	1							
46	2	129155-51521	BUSH, RACK	1							
47	2	129155-51530	SPACER	1							
48	2	129155-51540	CIRCLIP	1							
49	2	129155-51550	PINION, CONTROL	4							
50	2	122117-51560	SCREW	4							
51	2	174307-51560	PINION	4							
52	2	129155-51570	PLUG, M12	1							
53	2	129155-51580	O-RING	1							
54	2	129155-51591	SPRING, RACK	1							
55	2	129155-51600	SHIM SET, ADJUSTING	4							
74	2	129555-51700	COVER	1							
75	2	129555-51710	GASKET	1							
76	2	129555-51750	COVER	1							
77	2	129555-51760	GASKET	1							
78	2	129155-51790	STOOPER, RACK	1							
79	2	129156-51910	LABEL, CAUTION	1							
80	2	129155-51930	SPACER, T=3.25	1							
81	2	129155-51940	SPACER, T=1.5	1							
82	2	22190-160002	WASHER, SEAL 16	1							
83	2	22217-050000	WASHER, SPRING 5	2							
84	2	22217-060000	WASHER, SPRING 6	2							
85	2	22351-050010	PIN, SPRING 5.0X10	2							
86	2	24101-063034	BEARING, BALL 6303	1							
87	2	24341-000160	O-RING, 1AS16.0	1							

Remarks

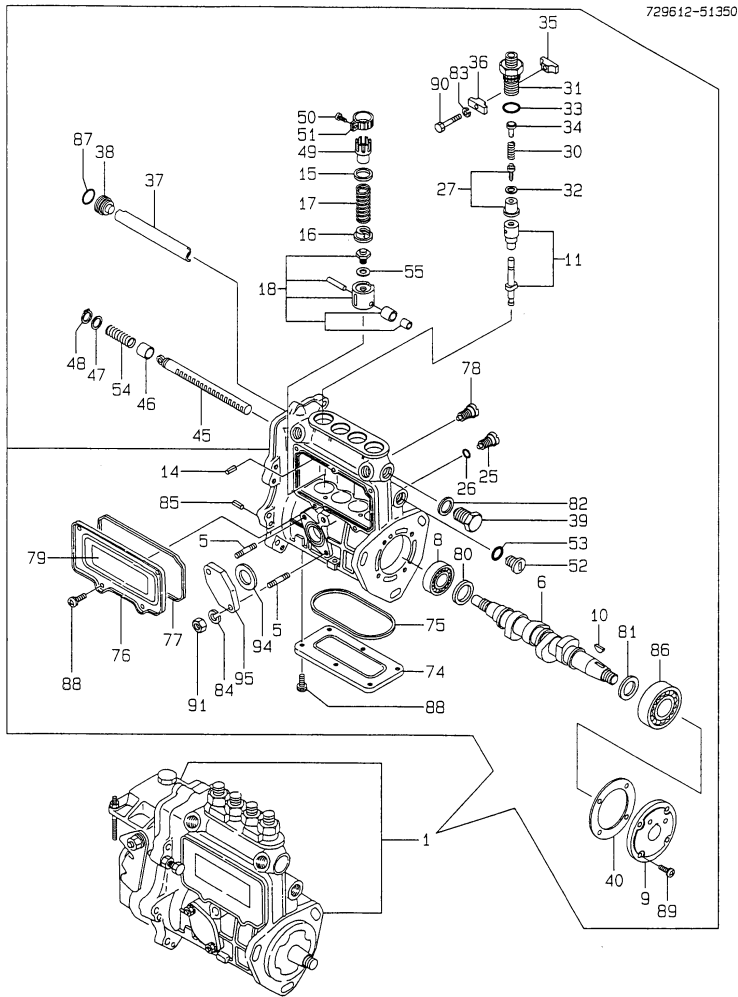
(1) GOVERNOR ASSY(FIG.NO.12) IS INCORPORATED IN THIS FUEL INJECTION PUMP ASSY(REF.NO.1). (G) THESE PARTS ARE SOLD BY FIG.18, REF.NO.1,1-1.

Fig.11. FUEL INJECTION PUMP

(A)=4TNE88-YB
(B)=
(C)=

(D)=
(E)=
(F)=

Y00D4950
4TNE88-YB



No.	Lev.	Parts No.	Description	Q'ty						I	R
				(A)	(B)	(C)	(D)	(E)	(F)		
88	2	26022-050102	SCREW, M5X10	11							
89	2	26022-060162	SCREW, M6X16	4							
90	2	26116-050302	BOLT, M5X 30 PLATED	2							
91	2	26716-060002	NUT, M6	2							
94	2	129155-52050	GASKET	1							G
95	2	129100-52200	COVER	1							

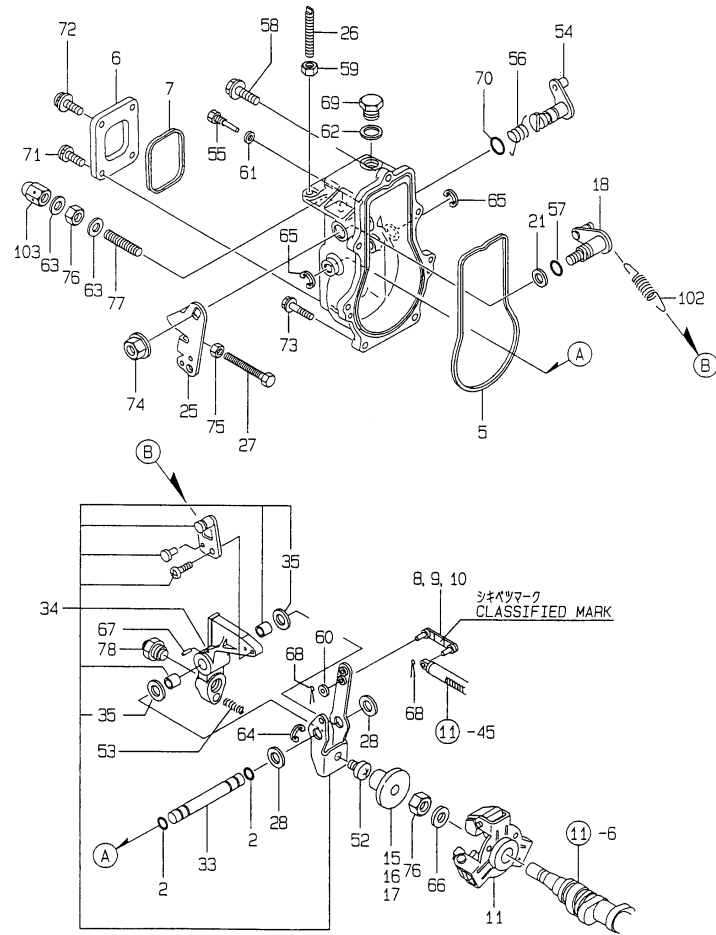
Remarks

(1) GOVERNOR ASSY(FIG.NO.12) IS INCORPORATED IN THIS FUEL INJECTION PUMP ASSY(REF.NO.1).
(G) THESE PARTS ARE SOLD BY FIG.18, REF.NO.1,1-1.

Fig.12. GOVERNOR

Y00D4950
4TNE88-YB

729612-51350



(A)=4TNE88-YB
(B)=
(C)=

(D)=
(E)=
(F)=

No.	Lev.	Parts No.	Description	Q'ty						I	R
				(A)	(B)	(C)	(D)	(E)	(F)		
2	2	129155-51280	O-RING, S6	2							
5	2	129155-61050	GASKET	1							
6	2	129155-61060	COVER, GOVERNOR CASE	1							
7	2	129155-61070	GASKET	1							
8	2	129155-61120	LINK, L=30 MARK 0	1							1
9	2	129155-61130	LINK, L=31 MARK 1	1							1
10	2	129155-61140	LINK, L=30.5 MARK 05	1							1
11	2	129155-61201	WEIGHT ASSY,GOVERNOR	1							
15	2	129155-61341	SLEEVE	1							
16	2	129155-61350	SLEEVE, L=24.9	1							
17	2	129155-61360	SLEEVE, L=25.2	1							
18	2	129100-61400	SHAFT ASSY	1							
21	2	129155-61430	SPACER	1							
25	2	129100-61440	LEVER, CONTROL	1							
26	2	129155-61450	BOLT, LIMITER	1							
27	2	129155-61460	BOLT, IDLE	1							
28	2	129155-61480	SPACER ASSY	2							
33	2	129155-61490	SHAFT	1							
34	2	129500-61501	LEVER ASSY, GOVERNOR	1							
35	3	174307-51700	SHIM SET	2							
52	2	129155-61540	SHIFTER	1							
53	2	129100-61650	SPRING, CONTROLLER	1							
54	2	129255-61802	LEVER, STOP	1							
55	2	129155-61810	PIN	1							
56	2	129100-61821	SPRING, RETURN	1							
57	2	129155-61830	O-RING, S10	1							
58	2	129155-61950	BOLT	1							
59	2	124550-66370	NUT, M6	1							
60	2	22117-040000	WASHER, 4	1							
61	2	22190-060002	WASHER, SEAL 6	1							
62	2	22190-100002	WASHER, SEAL 10	1							
63	2	22190-120002	WASHER, SEAL 12	2							
64	2	22272-000040	RING, E- 4	1							
65	2	22272-000060	RING, E- 6	2							
66	2	22287-120000	WASHER, 12	1							
67	2	22351-030016	PIN, SPRING 3.0X16	1							
68	2	22372-040000	PIN, SNAP 4	2							
69	2	23887-100002	PLUG, 10	1							
70	2	24311-240100	O-RING, 1AP10A	1							
71	2	26022-050102	SCREW, M5X10	2							
72	2	26023-050102	SCREW, M5X10	2							
73	2	26106-060202	BOLT, M6X 20 PLATED	6							
74	2	26366-080002	NUT, M8	1							
75	2	26756-060002	NUT, LOCK M6	1							
76	2	26776-120002	NUT, LOCK M12	2							
77	1	129155-61470	BOLT, CONTROL	1							
78	1	129132-61550	ANGLEICH ASSY	1							
102	1	129489-61700	SPRING, GOVERNOR	1							
103	1	26687-120002	NUT, CAP M12	1							

Remarks

(1) SELECTIVE PARTS; CERTAIN THE CLASSIFICATION MARK, THEN PLACE YOUR ORDER. (REF. TO ILLUSTRATION).

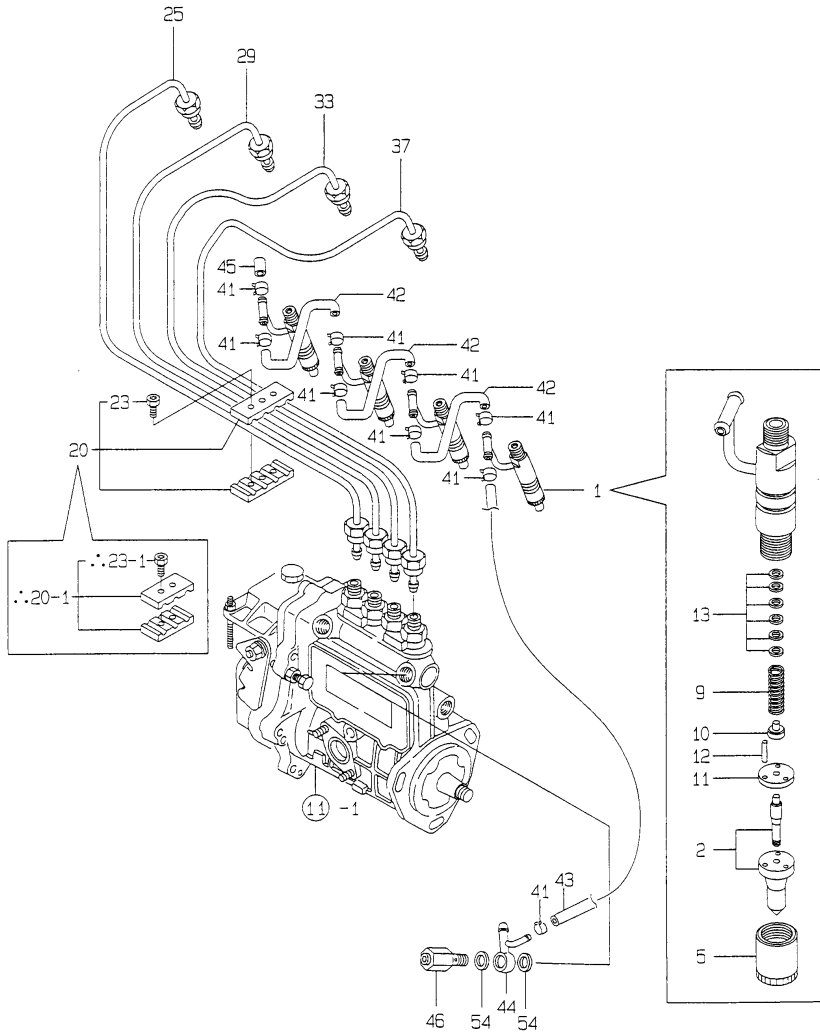
Fig.13. FUEL INJECTION VALVE

(A)=4TNE88-YB
(B)=
(C)=

(D)=
(E)=
(F)=

Y00D4950
4TNE88-YB

発行No. 00070004950-1
更新年月 : 1996. 5
REVISED : Jun., 1996



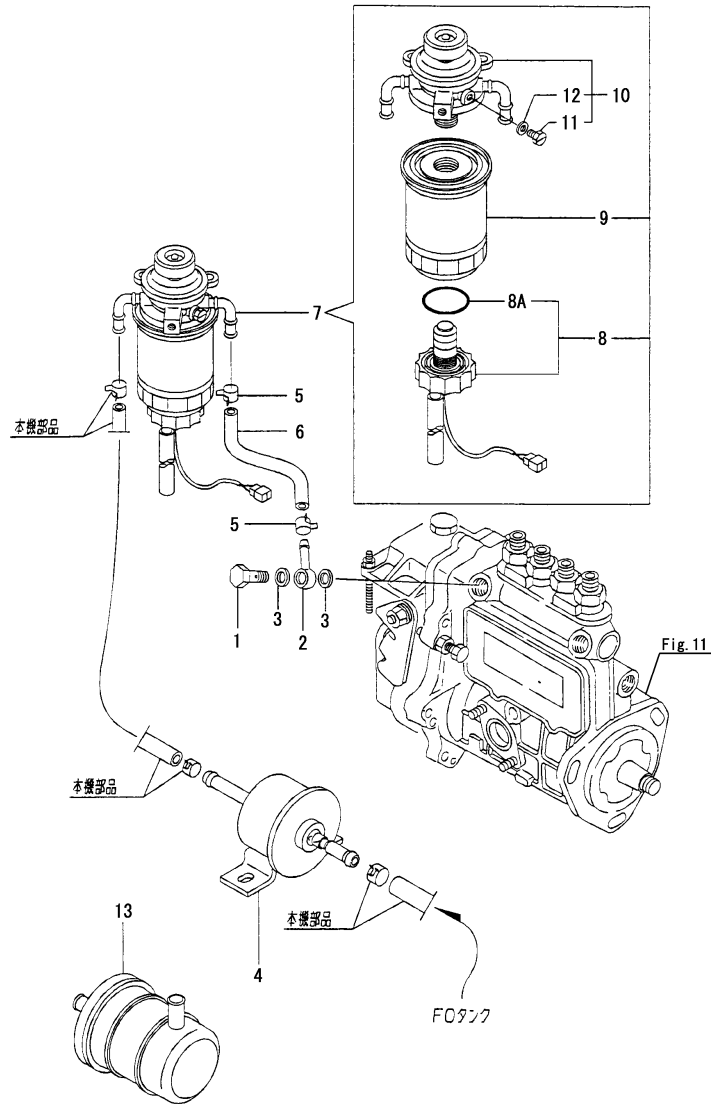
∴印が今回変更（追記）した箇所です。
∴MARKED PART HAS BEEN CHANGED (ADDED)

No.	Lev.	Parts No.	Description	Q'ty						I	R
				(A)	(B)	(C)	(D)	(E)	(F)		
1	1	729503-53100	VALVE ASSY,INJECTION	4							
2	2	129503-53000	VALVE ASSY,INJECTION	4							
5	2	114250-53080	NUT, NOZZLE D16.95	4							
9	2	114250-53120	SPRING, NOZZLE	4							
10	2	114250-53130	SEAT, SPRING	4							
11	2	114250-53140	PLATE	4							
12	2	114250-53210	PIN	8							
13	2	114250-53400	SHIM SET	4							
20	1	129550-59120	RETAINER, PIPE	1							
20-1	1	129150-59120	RETAINER, PIPE	2							N
(A=E01095)											
23	2	129150-59130	BOLT, M4X12	2							
23-1	2	129150-59131	BOLT, M4X14	4							N
(A=E01095)											
25	1	129400-59910	PIPE ASSY, INJECTION	1							
29	1	129400-59920	PIPE ASSY, INJECTION	1							
33	1	129400-59930	PIPE ASSY, INJECTION	1							
37	1	129400-59940	PIPE ASSY, INJECTION	1							
41	1	124066-59100	CLIP, HOSE 8	9							
42	1	121250-59550	PIPE, FUEL D8X120	3							
43	1	119840-59560	PIPE, FUEL RETURN	1							
44	1	119840-59570	JOINT	1							
45	1	129150-59580	CAP	1							
46	1	129100-59951	VALVE ASSY, CHECK	1							
54	1	23414-120000	GASKET, 12X1.0	2							

Fig.14. FUEL FILTER

(A)=4TNE88-YB
(B)=
(C)=

(D)=
(E)=
(F)=



No.	Lev.	Parts No.	Description	Q'ty						I	R
				(A)	(B)	(C)	(D)	(E)	(F)		
1	1	103854-39140	BOLT, PIPE JOINT	1							
2	1	101304-59020	JOINT, PIPE 12	1							
3	1	104200-59170	GASKET, 12	2							G
3-1	1	22190-120002 (A=*1996.02)	WASHER, SEAL 12	2							N G
4	1	119225-52102	PUMP, FUEL FEED	1							
5	1	124766-59050	CLAMP, HOSE 11.5	2							
6	1	105025-59530	HOSE, FUEL D13X400	1							
7	1	129574-55800	STRAINER ASSY, FUEL	1							
8	2	129574-55730	SENSOR	1							
8A	3	129574-55780	O-RING	1							
9	2	129574-55710	FILTER, FUEL	1							
10	2	129574-55700	BODY ASSY	1							
11	3	121857-55750	PLUG	1							
12	3	121857-55760	WASHER	1							
13	1	129612-55630 (A=E05440)	FILTER, FUEL	1							W

Remarks

(G)These parts are sold by Fig.18 No.1, 1-1.

Fig.15. ENGINE STOP DEVICE

(A)=4TNE88-YB
(B)=
(C)=

(D)=
(E)=
(F)=

No.	Lev.	Parts No.	Description	Qty						I	R
				(A)	(B)	(C)	(D)	(E)	(F)		
1	1	129436-66801	MOTOR ASSY, STOP	1							
3	2	129436-66830	SPRING, STOP MOTOR	1							
4	2	129566-66880	RING, SNAP	1							
5	2	129566-66890	WASHER	1							
6	1	119840-66811	BRACKET, STOP MOTOR	1							
7	1	129566-66820	BRACKET, STOP MOTOR	1							
8	1	22117-080000	WASHER, 8	1							
9	1	22360-080000	SNAP PIN 8	1							
10	1	26106-080122	BOLT, M8X 12 PLATED	2							
11	1	26106-080122	BOLT, M8X 12 PLATED	2							
12	1	26116-050102	BOLT, M5X 10 PLATED	3							

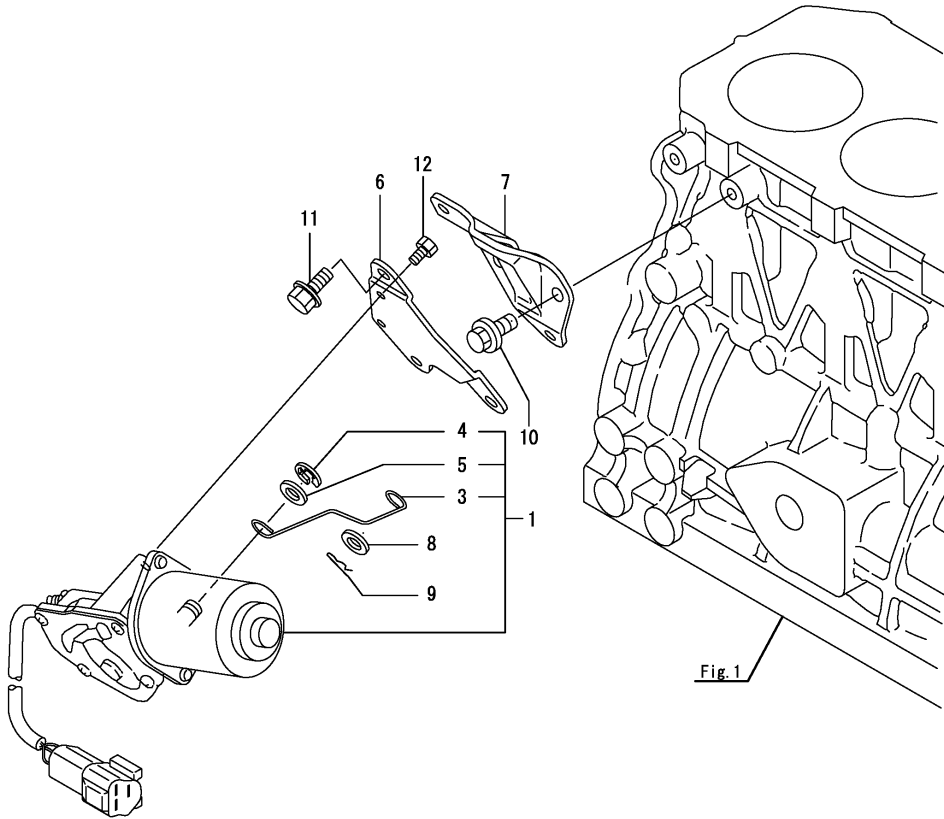


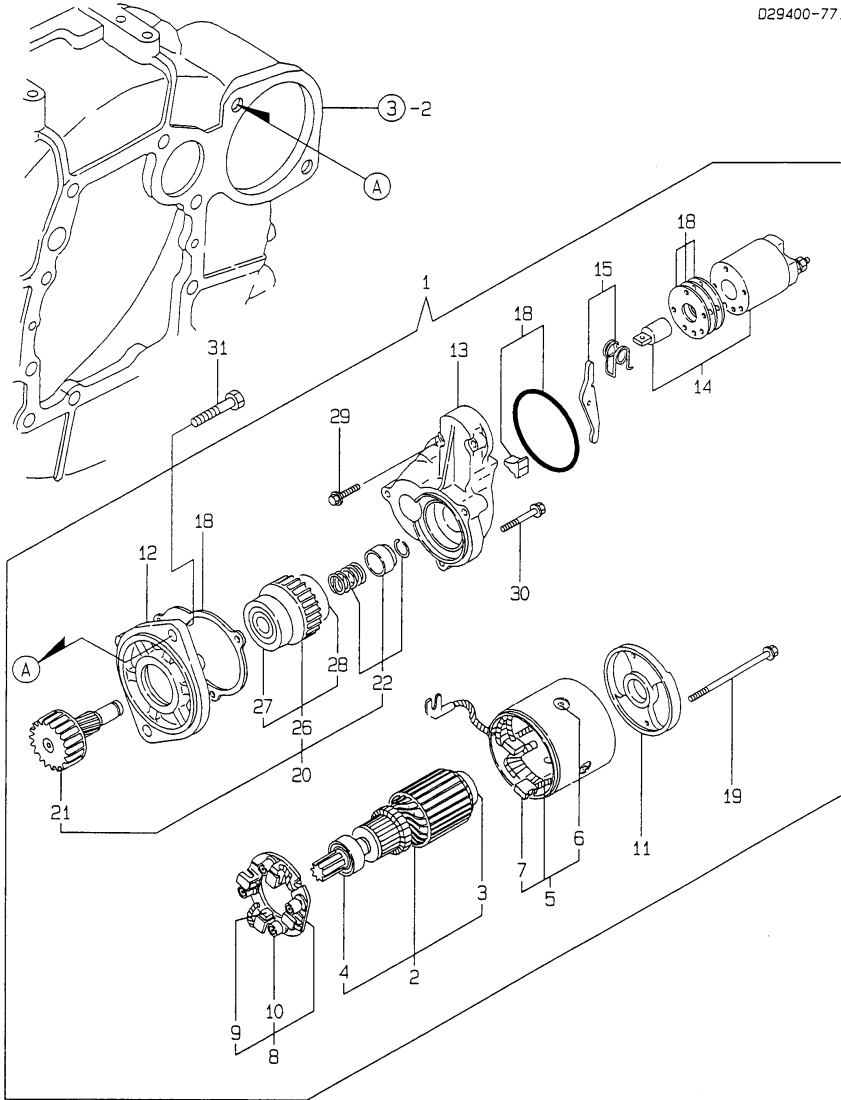
Fig.16. STARTING MOTOR

(A)=4TNE88-YB
(B)=
(C)=

(D)=
(E)=
(F)=

Y00D4950
4TNE88-YB

D29400-77130



No.	Lev.	Parts No.	Description	Q'ty						I	R
				(A)	(B)	(C)	(D)	(E)	(F)		
1	1	129400-77011	STARTER, S13-94A	1							
2	2	129400-77400	ARMATURE ASSY	1							
3	3	171008-77410	BEARING	1							
4	3	171008-77420	BEARING	1							
5	2	129400-77440	COIL ASSY, FIELD	1							
6	3	171008-77450	SCREW	4							
7	3	129400-77460	BRUSH (+)	2							
8	2	129400-77470	HOLDER ASSY, BRUSH	1							
9	3	129400-77480	BRUSH (-)	2							
10	3	129400-77490	SPRING	4							
11	2	129400-77510	COVER, REAR	1							
12	2	171008-77510	CASE, GEAR	1							
13	2	129400-77520	HOUSING	1							
14	2	129400-77530	SWITCH ASSY,MAGNETIC	1							
15	2	171008-77540	LEVER SET	1							
18	2	129400-77570	COVER KIT, DUST	1							
19	2	129400-77640	BOLT, THROUGH	2							
20	2	171008-77650	PINION ASSY	1							
21	3	171008-77660	SHAFT	1							
22	3	171008-77670	STOPPER SET	1							
26	3	171008-77720	CLUTCH ASSY	1							
27	4	171008-77730	BEARING, BALL	1							
28	4	171008-77740	BEARING	1							
29	2	26106-060322	BOLT, M6X 32 PLATED	2							
30	2	26106-060402	BOLT, M6X 40 PLATED	3							
31	1	26116-120252	BOLT, M12X 25 PLATED	2							

Fig.17. GENERATOR

(A)=4TNE88-YB

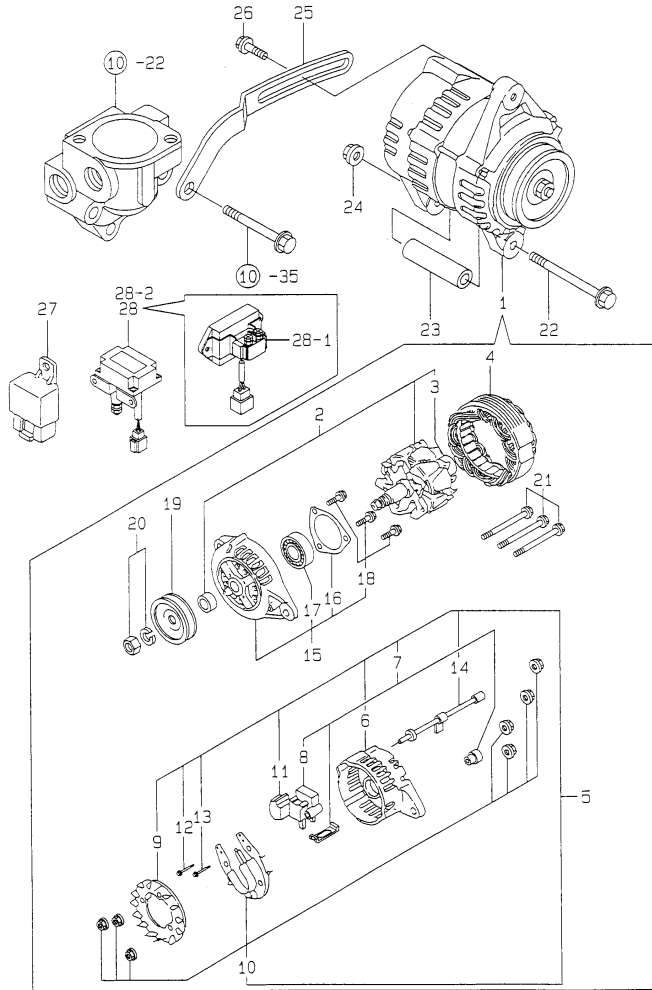
(B)=

(C)=

(D)=

(E)=

(F)=



No.	Lev.	Parts No.	Description	Q'ty						I	R
				(A)	(B)	(C)	(D)	(E)	(F)		
1	1	119836-77200	GENERATOR	1							
2	2	119836-77700	ROTOR ASSY	1							
3	3	119836-77850	BALL BEARING	1							
4	2	119836-77710	STATOR ASSY	1							
5	2	119836-77721	COVER ASSY, REAR	1							
6	3	119836-77730	COVER, REAR	1							
7	3	119836-77741	BRUSH ASSY,REGULATOR	1							
8	4	119836-77750	BRUSH ASSY	1							
9	3	119836-77760	GUIDE, FAN SIDE	1							
10	3	119836-77770	DIODE ASSY	1							
11	3	119836-77780	CONDENSER	1							
12	3	119836-77871	BOLT (1)	1							
13	3	119836-77880	BOLT (2)	1							
14	3	119836-77890	WIRE ASSY, LEAD	1							
15	2	119836-77790	COVER ASSY, FRONT	1							
16	3	119836-77800	RETAINER, BEARING	1							
17	3	119836-77840	BALL BEARING	1							
18	3	119836-77860	SCREW KID	1							
19	2	119836-77810	PULLEY	1							
20	2	119836-77820	NUT ASSY, PULLEY	1							
21	2	119836-77830	BOLT, THROUGH	1							
22	1	129136-77250	BOLT M 8X105	1							
23	1	119820-77340	PIECE, DISTANCE	1							
24	1	26366-080002	NUT, M8	1							
25	1	129100-77330	ADJUSTER	1							
25-1	1	129100-77320	ADJUSTER	1							F 1
(A=E10838)											
26	1	26014-080252	BOLT, M8X 25	1							
26-1	1	119810-77340	BOLT, ADJUSTER	1							N
(A=E32457)											
27	1	119247-77100	RELAY, SAFETY	1							
28	1	129136-77100	RELAY, SAFETY	1							
28-1	1	129136-77200	RELAY, SAFETY	1							S
(A=E05440)											
28-2	1	129136-77100	RELAY, SAFETY	1							S
(A=*1995.11)											
29	1	26106-080502	BOLT, M8X 50 PLATED	1							W
(A=E10838)											

Remarks

(1)Interchangeable by simultaneous replacement with Fig.10 Ref.No.2-1, 20-1.

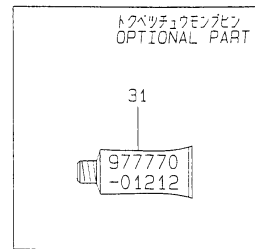
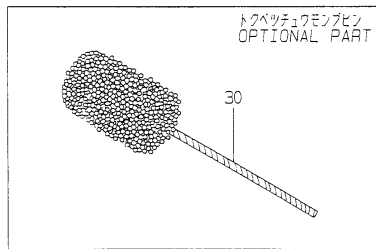
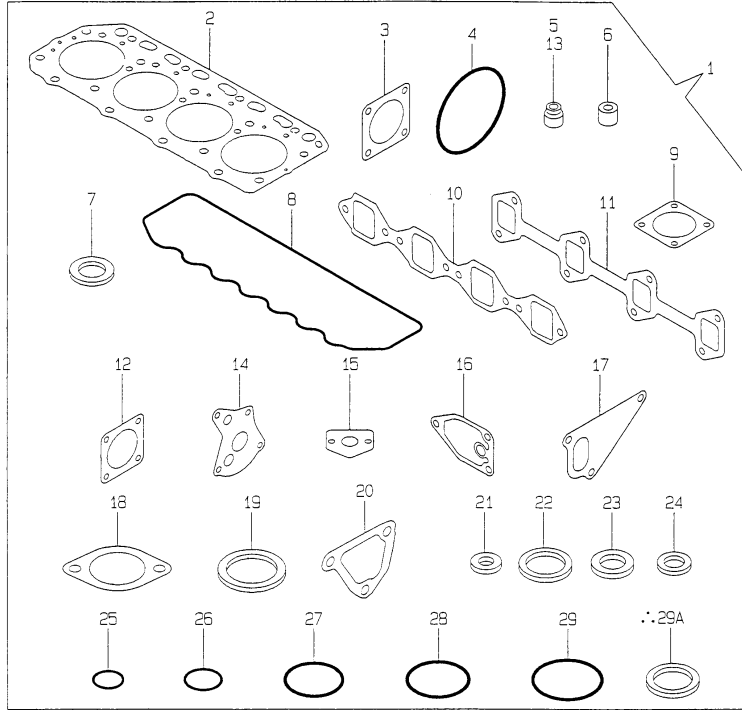
Fig.18. GASKET SET

(A)=4TNE88-YB
(B)=
(C)=

(D)=
(E)=
(F)=

Y00D4950
4TNE88-YB

図号 No. 000Y0004950-1
更新年月 : 1996. 6
REVISED : Jun., 1996



∴印が今回変更 (追加) した箇所です。
∴MARKED PART HAS BEEN CHANGED (ADDED).

No.	Lev.	Parts No.	Description	Q'ty						I	R
				(A)	(B)	(C)	(D)	(E)	(F)		
1	1	729419-92601	GASKET SET	1							M
1-1	1	729419-92610	GASKET SET	1							1
2	2	129407-01340	GASKET, HEAD	1							
3	2	124240-01883	GASKET	1							
4	2	121850-51960	O-RING	1							
5	2	124460-11340	SEAL, VALVE STEM	4							
6	2	119625-11870	PROTECTOR, NOZZLE	4							
6-1	2	119625-11871	PROTECTOR, NOZZLE	4							R
(A=E01443)											
7	2	119625-11880	SEAT, NOZZLE	4							
8	2	129550-11310	GASKET, BONNET	1							
9	2	129150-77511	GASKET	1							
10	2	129550-12111	GASKET, MANIFOLD	1							
11	2	129550-13110	GASKET	1							
12	2	129400-13201	GASKET, SILENCER	1							
13	2	121400-11340	SEAL, VALVE STEM	4							
14	2	129150-32020	GASKET, PUMP	1							
15	2	129150-35041	GASKET	1							
16	2	129150-35111	GASKET	1							
17	2	129100-42020	GASKET, WATER PUMP	1							
18	2	129795-49551	GASKET	1							
19	2	129150-49811	GASKET, THERMOSTAT	1							
20	2	129100-49840	GASKET	1							
21	2	129155-52050	GASKET	1							
22	2	104200-59170	GASKET, 12	4							
23	2	22190-080002	WASHER, SEAL 6	7							
24	2	23414-100000	GASKET, 10X1.0	2							
25	2	24311-000120	O-RING, 1AP12.0	3							
26	2	24311-000160	O-RING, 1AP16.0	3							
27	2	24311-000320	O-RING, 1AP32.0	2							
28	2	24341-000240	O-RING, 1AS24.0	2							
28-1	2	24341-000240	O-RING, 1AS24.0	1							K
(A=E01306)											
29	2	24341-000500	O-RING, 1AS50.0	1							
29A	2	22190-220002	WASHER, SEAL 22	1							W
(A=E01306)											
30	1	129400-92420	HONE	1							1
31	1	977770-01212	GASKET, LIQUID	1							1

Remarks
(1) OPTIONAL PART.
(M) MISPRINT.

Parts No. Index

Parts No.	Fig. No.	Ref. No.
101304-59020	14	2
103338-11190	4	21
103854-39140	14	1
104200-59170	14	3
	18	22
105025-59530	14	6
114250-53080	13	5
114250-53120	13	9
114250-53130	13	10
114250-53140	13	11
114250-53210	13	12
114250-53400	13	13
119225-52102	14	4
119247-77100	17	27
119260-34810	9	14
119620-01750	3	3
119625-11870	4	27
	18	6
119625-11871	4	27 -1
	18	6 -1
119625-11880	4	28
	18	7
119625-11900	4	29
119640-01640	3	7 -1
119640-12580	5	12
119810-77340	17	26 -1
119820-77340	17	23
119836-77200	17	1
119836-77700	17	2
119836-77710	17	4
119836-77721	17	5
119836-77730	17	6
119836-77741	17	7
119836-77750	17	8
119836-77760	17	9
119836-77770	17	10
119836-77780	17	11
119836-77790	17	15
119836-77800	17	16
119836-77810	17	19
119836-77820	17	20
119836-77830	17	21
119836-77840	17	17
119836-77850	17	3
119836-77860	17	18
119836-77871	17	12
119836-77880	17	13
119836-77890	17	14
119840-59560	13	43
119840-59570	13	44

Parts No.	Fig. No.	Ref. No.
119840-66811	15	6
119865-21600	8	15
119865-35300	9	27
119865-42290	10	15
120130-11860	4	11
121023-01550	2	23
121023-26070	2	24
121111-21501	8	12
121120-12541	5	16
121120-12561	5	18
121120-12571	5	19
121120-18901	5	17
121250-44901	10	39
121250-59550	13	42
121262-12800	5	20
121267-44760	10	18
121400-11340	4	22
	18	13
121450-01560	2	2
121550-23200	8	29
121850-11860	10	1
121850-21680	8	11
121850-51960	2	11
	18	4
121857-55750	14	11
121857-55760	14	12
122117-51560	11	50
122710-51090	11	10
124066-59100	13	41
124160-01751	2	6
	4	46
124160-01910	1	5
		6
124160-11360	4	56
124160-39140	9	39
124160-39450	9	38
124240-01871	2	7
		29
124240-01883	2	8
		30
	18	3
124250-49351	10	41
124395-49840	10	31 -1
124460-11340	4	23
	18	5
124465-44950	10	40
124550-51350	11	32
124550-51370	11	33
124550-59820	9	44
124550-66370	12	59

Parts No.	Fig. No.	Ref. No.
124732-42290	10	15 -1
124736-07900	4	5
124766-59050	14	5
124770-11770	10	23
124950-51190	11	17
129001-02800	1	16
129001-22081	8	16
129001-22500	8	18
129001-22901	8	32
129001-22950	8	34
129001-35300	9	27 -1
129001-42001	10	2 -1
129001-42002	10	2 -2
129001-42003	10	2 -3
129001-42040	10	43
129100-01580	3	1
		17
	8	2
129100-01640	3	18
129100-01790	3	9
129100-11100	4	17
129100-11110	4	18
129100-23910	8	28
129100-25061	7	9
129100-42002	10	2
129100-42020	10	13
	18	17
129100-49050	10	37
129100-49800	10	22
129100-49820	10	25
129100-49830	10	26
129100-49840	10	31
	18	20
129100-52200	11	95
129100-59951	13	46
129100-61400	12	18
129100-61440	12	25
129100-61650	12	53
129100-61821	12	56
129100-77320	17	25 -1
129100-77330	17	25
129100-77500	5	4
129100-77510	5	5
129128-34800	9	13
129132-12530	5	13
129132-12570	5	12 -1
129132-12581	5	10
129132-49050	10	37 -1
		37 -2
129132-61550	12	78

Parts No.	Fig. No.	Ref. No.
129136-26000	7	18
129136-26200	7	20
129136-34820	9	15
129136-77100	17	28
		28 -2
129136-77200	17	28 -1
129136-77250	17	22
129150-01200	1	30
129150-02020	1	8
129150-02450	7	4
129150-02870	1	32
129150-02930	1	25
129150-02940	1	35
129150-03020	4	47
129150-03070	4	48
129150-03080	4	49
129150-03100	2	10
129150-11230	4	38
129150-11280	4	33
129150-11370	4	24
129150-11750	4	40
129150-11810	4	13
129150-14101	7	7
129150-14200	7	1
129150-14400	7	2
129150-21200	8	5
129150-23600	8	30
129150-23610	8	38
129150-25101	7	10
129150-25900	7	15
129150-25920	7	13
129150-32000	9	1
129150-32020	9	11
	18	14
129150-35041	9	18
	18	15
129150-35091	9	19
129150-35101	9	24
129150-35111	9	25
	18	16
129150-35151	9	26
129150-35350	9	35
129150-49360	10	42
129150-49811	10	30
	18	19
129150-59120	13	20 -1
129150-59130	13	23
129150-59131	13	23 -1
129150-59580	13	45
129150-77511	5	6

Parts No. Index

Parts No.	Fig. No.	Ref. No.
129150-77511	18	9
129155-11260	4	31
129155-11270	4	32
129155-42350	10	16
129155-49800	10	29
129155-51020	11	5
129155-51050	11	8
129155-51060	11	9
129155-51140	11	14
129155-51180	11	16
129155-51200	11	18
129155-51270	11	25
129155-51280	11	26
	12	2
129155-51320	11	30
129155-51340	11	31
129155-51370	11	34
129155-51380	11	35
129155-51390	11	36
129155-51410	11	38
129155-51420	11	39
129155-51450	11	40
129155-51521	11	46
129155-51530	11	47
129155-51540	11	48
129155-51550	11	49
129155-51570	11	52
129155-51580	11	53
129155-51591	11	54
129155-51600	11	55
129155-51790	11	78
129155-51930	11	80
129155-51940	11	81
129155-52050	11	94
	18	21
129155-61050	12	5
129155-61060	12	6
129155-61070	12	7
129155-61120	12	8
129155-61130	12	9
129155-61140	12	10
129155-61201	12	11
129155-61341	12	15
129155-61350	12	16
129155-61360	12	17
129155-61430	12	21
129155-61450	12	26
129155-61460	12	27
129155-61470	12	77
129155-61480	12	28

Parts No.	Fig. No.	Ref. No.
129155-61490	12	33
129155-61540	12	52
129155-61810	12	55
129155-61830	12	57
129155-61950	12	58
129156-51910	11	79
129202-22300	8	22
129255-61802	12	54
129350-49530	10	20
129350-49560	10	20 -1
129400-01730	3	11
129400-11350	4	45
129400-13201	6	7
	18	12
129400-59910	13	25
129400-59920	13	29
129400-59930	13	33
129400-59940	13	37
129400-77011	16	1
129400-77400	16	2
129400-77440	16	5
129400-77460	16	7
129400-77470	16	8
129400-77480	16	9
129400-77490	16	10
129400-77510	16	11
129400-77520	16	13
129400-77530	16	14
129400-77570	16	18
129400-77640	16	19
129400-92420	18	30
129403-42380	10	16 -1
129407-01340	1	31
	18	2
129407-11700	4	7
129407-21000	8	1
129407-32000	9	1 -1
129411-13100	6	1
129436-44740	10	17
129436-66801	15	1
129436-66830	15	3
129470-51040	11	6
129486-01670	3	21 -1
129486-42021	10	13 -1
129486-42140	10	44 -1
129488-12100	5	1
129489-61700	12	102
129500-61501	12	34
129503-53000	13	2
129505-51300	11	27

Parts No.	Fig. No.	Ref. No.
129506-51100	11	11
129550-11290	4	34
129550-11310	4	52
	18	8
129550-12111	5	2
	18	10
129550-13110	6	2
	18	11
129550-21650	8	9
129550-39450	9	40
129550-59120	13	20
129555-11241	4	30
129555-51400	11	37
129555-51500	11	45
129555-51700	11	74
129555-51710	11	75
129555-51750	11	76
129555-51760	11	77
129566-66820	15	7
129566-66880	15	4
129566-66890	15	5
129574-55700	14	10
129574-55710	14	9
129574-55730	14	8
129574-55780	14	8 A
129574-55800	14	7
129612-21580	8	13
129612-21581	8	13 -1
129612-55630	14	13
129795-01780	3	20
129795-01800	2	5
129795-01950	2	9
129795-02411	1	28
129795-11120	4	19
129795-11180	4	20
129795-21661	8	10
129795-49551	10	21
	18	18
171008-77410	16	3
171008-77420	16	4
171008-77450	16	6
171008-77510	16	12
171008-77540	16	15
171008-77650	16	20
171008-77660	16	21
171008-77670	16	22
171008-77720	16	26
171008-77730	16	27
171008-77740	16	28
171051-01921	1	7

Parts No.	Fig. No.	Ref. No.
171056-49120	10	36
171301-01600	3	2
171301-01640	3	7
171340-77520	5	7
171350-03090	4	1
171353-01520	2	1
171353-01580	2	3
171353-26081	7	25
174307-51170	11	15
174307-51560	11	51
174307-51700	12	35
194990-22050	6	3
22117-040000	12	60
22117-080000	15	8
22190-060002	12	61
22190-080002	2	12
		13
		31
	9	45
	18	23
22190-100002	12	62
22190-120002	12	63
	14	3 -1
22190-160002	11	82
22190-220002	3	10 -1
	18	29 A
22217-050000	11	83
22217-060000	11	84
22217-120000	7	16
22252-000260	8	23
22272-000040	12	64
22272-000060	12	65
22287-120000	12	66
22351-030016	12	67
22351-040010	8	8
22351-050010	11	85
22351-060012	4	25
22360-080000	15	9
22372-040000	12	68
22512-070140	7	8
	8	6
23000-016000	10	38
23414-100000	9	46
	18	24
23414-120000	13	54
23871-010000	1	11
23871-030000	1	15
	10	12
		12 -1
		27

Parts No. Index

Parts No.	Fig. No.	Ref. No.
23876-030000	10	12 -2
23887-100002	12	69
24101-063034	11	86
24105-060064	7	24
24311-000120	4	57
	18	25
24311-000160	2	14
	9	36
	18	26
24311-000320	2	15
	4	53
	18	27
24311-240100	9	16
	12	70
24321-000300	10	44
24321-000850	2	25
24341-000160	11	87
24341-000240	2	26
	3	10
	18	28
		28 -1
24341-000500	4	54
	18	29
25132-003700	10	15 -2
26014-060302	10	19
26014-080252	17	26
26022-050102	11	88
	12	71
26022-060162	11	89
26023-050102	12	72
26106-060122	2	27
26106-060202	12	73
26106-060322	16	29
26106-060402	16	30
26106-080122	2	16
	15	10
		11
26106-080142	4	6
26106-080162	1	29
	2	17
		18
		32
	3	13
	4	55
	10	45 -1
26106-080182	10	45
26106-080202	9	37
	10	32
26106-080252	3	14
	4	43

Parts No.	Fig. No.	Ref. No.
26106-080252	9	17
	10	33
26106-080302	3	21
26106-080352	3	22
	5	3
	9	23
26106-080402	5	8
26106-080452	2	19
	3	15
		15 -1
		15 -2
	7	14
26106-080502	3	16
		24
	4	44
	10	34
	17	29
26106-080552	2	20
26106-080602	10	14
		35
26106-080802	5	9
	6	4
26106-080852	2	21
26106-100452	2	28
26116-050102	15	12
26116-050302	11	90
26116-060162	10	28
26116-120252	16	31
26206-100252	3	4
26206-100302	3	5
26216-060202	4	15
26216-080222	6	5
26216-080802	6	6
26226-080182	4	41
26366-060002	4	26
26366-080002	2	22
	12	74
	17	24
26450-060252	9	12
26450-080282	7	26
26687-120002	12	103
26716-060002	11	91
26716-120002	7	17
26756-060002	12	75
26756-080002	4	42
26776-120002	12	76
27231-500000	1	12
27241-120000	1	13
27241-300000	1	14
27241-400000	4	16

Parts No.	Fig. No.	Ref. No.
27310-080001	4	21 -1
729402-01540	3	6
729402-11650	4	37
729402-14580	7	3
729402-23100	8	24
729407-01561	1	1
729419-92601	18	1
729419-92610	18	1 -1
729503-53100	13	1
729612-51350	11	1
977770-01212	2	33
	3	23
	18	31

Parts No.	Fig. No.	Ref. No.
-----------	----------	----------