

OCD10-M49000EN

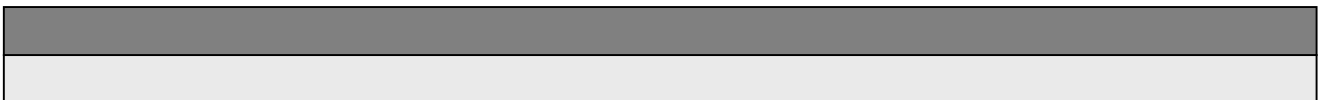
PREFACE

1. This Parts Catalog is the 1st edition of L48ADEDMK Diesel Engine for MEIJI KIKAI.

Pub. No. : 000Y00D4900
Published : September, 1993

2. Model name

Engine model	Vehicle		Vehicle made by
	Products	Model name	
L48ADEDMK	COMPRESSOR	—	MEIJI KIKAI



Directions for the Parts Catalog.

1. The parts stipulated in this Parts Catalog are not necessarily standard equipped parts.
2. Parts may change without prior notice.
3. The following is an example of the Parts Catalog format.

REF.	LEV.	PARTS NO.	DESCRIPTION	Q'TY						I	R
				(A)	(B)	(C)	(D)	(E)	(F)		
1	1	729595-51390	FUEL INJECTION PUMP	1	1	1	1	1			1
1-1	1	729595-51391	FUEL INJECTION PUMP	1	1	1	1	1		N	1
		(A=E00185) (B=E00200)									
3	2	26022-060162	SCREW M 6X 16	9	9	9	9	9			
3-1	2	26022-060162	SCREW M 6X 16	4	4	4	4	4		K	
		(A=E00156) (B=E00156) (C=E00156) (D=E00156) (E=E00156)									
4	2	129470-51040	CAMSHAFT	1	1	1	1	1			
5	2	122710-51050	BEARING, ROLLER	2	2	2	2	2			
6	2	129470-51060	RETAINER	1	1	1	1	1			

Remarks
(1) BOOST COMPEMSATOR TYPE. OPTIONAL PART, TO E00155,(4JH-DT, 4JH-DTZ

① Ref. No.

The Ref. No. listed may not be in accordance with the illustration Ref. No.

(Ex.) Illustration No.

List Ref No.

1

1

(Before change)

1-1

(After change)

For interchangeable symbols N, R and K, illustrations for new parts may be abbreviated.

② Lev. (Level)

Level indication

The numbers below indicate the level of relativity towards the main part.

1 ----- Main parts (Assembly parts)

2 ----- Sub component included in " 1 ".

3 ----- Sub component included in " 2 ".

Note) Parts that are not for sale are partially illustrated but not listed.

③ Interchangeability Mark

When a part change takes place, one of the following interchangeability symbols is indicated beside the part.

Symbol	Interchangeability	Contents note
N	Old $\begin{matrix} \leftarrow \text{Yes} \\ \text{No} \rightarrow \end{matrix}$ New	New Part is interchangeable for Old Part but Old Part is not interchangeable for New Part.
Q	Old $\begin{matrix} \leftarrow \text{No} \\ \text{Yes} \rightarrow \end{matrix}$ New	New Part is not interchangeable for Old Part but Old Part is interchangeable for New Part.
R	Old $\begin{matrix} \leftarrow \text{Yes} \\ \text{Yes} \rightarrow \end{matrix}$ New	New/ Old Parts are both interchangeable.
S	Old $\begin{matrix} \leftarrow \text{No} \\ \text{No} \rightarrow \end{matrix}$ New	New/ Old Parts are both not interchangeable.
W		Part newly added.
Z		Part discontinued.
F		Not interchangeable by a single part but interchangeable together with related parts.
K		Changes only for used parts quantities.

④ Effective Machine No.

When a part changes, the effective Machine No. will be indicated in the (A)-(F) column.

Product Symbol	Product No.	Product Symbol	Product No.
C	Clutch No. Compressor No.	F	Machine No. (Agricultural Equip.)
D	Drive No.	M	Machine No.
E	Engine No.		

Note 1) A date may follow the symbol. (Ex.) 1996.01

Note 2) "XXXXX" and "ZZZZZ" are for parts that could not be predicted or for engine models that could not be identified.

Note 3) (A=E00185) is the E (Engine Serial Number) for the column (A) model (in this case 4JH-DT) after the parts design change.

⑤ Remarks Mark

Figures or alphabets (symbols) are entered in the remarks column.

The comments (remarks) on parts that are indicated at the bottom of the illustration are the same symbols as those stated above.

Contents

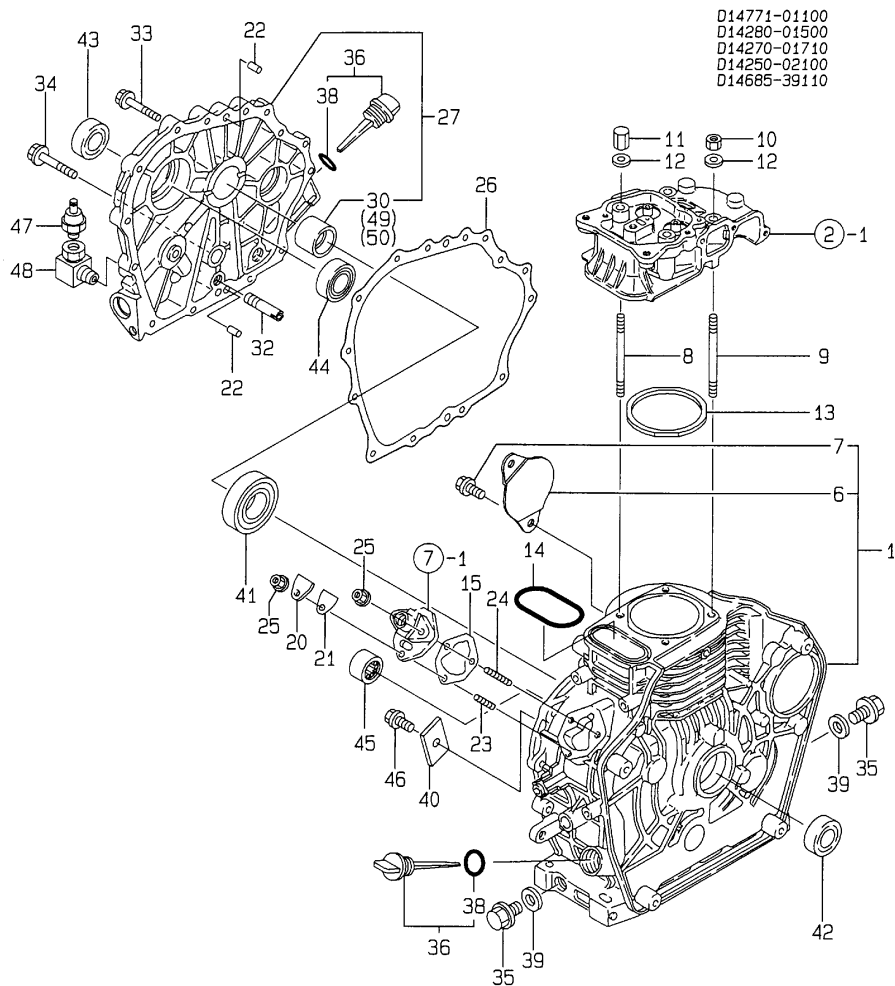
Fig. No. Fig. Name

L48ADEDMK

1. CYLINDER BLOCK
2. CYLINDER HEAD & BONNET
3. AIR CLEANER & MUFFLER
4. CRANKSHAFT, PISTON & CAMSHAFT
5. LUB. OIL PUMP & GOVERNOR
6. COOLING & STARTING DEVICE
7. FUEL INJECTION PUMP
8. FUEL TANK & FUEL PIPE
9. STARTING MOTOR & DYNAMO
10. TOOL & LABEL

Fig. No. Fig. Name

Fig.1. CYLINDER BLOCK



(A)=L48AEDDMK
(B)=
(C)=

(D)=
(E)=
(F)=

No.	Lev.	Parts No.	Description	Qty						I	R
				(A)	(B)	(C)	(D)	(E)	(F)		
1	1	714771-01560	BLOCK ASSY, CYLINDER	1							
6	2	114350-01700	COVER	1							
7	2	26106-100122	BOLT, M10X 12 PLATED	2							
8	1	114250-01200	BOLT, HEAD	2							
9	1	114250-01210	BOLT, HEAD	2							
10	1	114250-01220	NUT, CYLINDER HEAD	2							
11	1	114250-01250	NUT, CAP	2							
12	1	124950-01250	WASHER	4							
13	1	114770-01340	GASKET, HEAD	1							
14	1	114250-01380	O-RING	1							
15	1	114250-01800	SHIM SET	1							
20	1	114250-01830	COVER	1							
21	1	114250-01840	GASKET	1							
22	1	22312-080120	PIN, PARALLEL M8X12	2							
23	1	26226-060182	STUD, M6X 18	1							
24	1	26226-060222	STUD, M6X 22	2							
25	1	26366-060002	NUT, M6	3							
26	1	114250-01412	GASKET, CRANK CASE	1							
27	1	114260-01453	COVER, CRANK CASE	1							
30	2	114250-02100	BEARING, MAIN	1							1
32	1	114250-35150	PIPE, OIL INLET	1							
33	1	26106-060252	BOLT, M6X 25 PLATED	14							
34	1	26106-080352	BOLT, M8X 35 PLATED	1							
35	1	105425-01690	PLUG, 16	2							
36	1	160710-01760	CAP ASSY, L82	2							
38	2	24311-000180	O-RING, 1AP18.0	2							
39	1	22190-160002	WASHER, SEAL 16	2							
40	1	114250-02030	RETAINER, BEARING	1							
41	1	114250-02113	BEARING, HR6306G3C3	1							
42	1	160110-02220	SEAL, OIL	1							
43	1	160210-02220	SEAL, 25X41.2X8	1							
44	1	24101-062050	BEARING, BALL 6205C3	1							
45	1	24162-152112	BEARING, 152112	1							
46	1	26106-080122	BOLT, M8X 12 PLATED	1							
47	1	121252-39450	SWITCH, 0.5KG	1							
48	1	23112-010007	ELBOW, R1/8	1							
49	1	114250-02200	BEARING, 0.25 US	1							2
50	1	114250-02210	BEARING, 0.50 US	1							3

Remarks

- (1) REPAIR PART.
- (2) UNDER-SIZED(U.S=0.25)PART.
- (3) UNDER-SIZED(U.S=0.50)PART.

Fig.2. CYLINDER HEAD & BONNET

(A)=L48AEDDMK

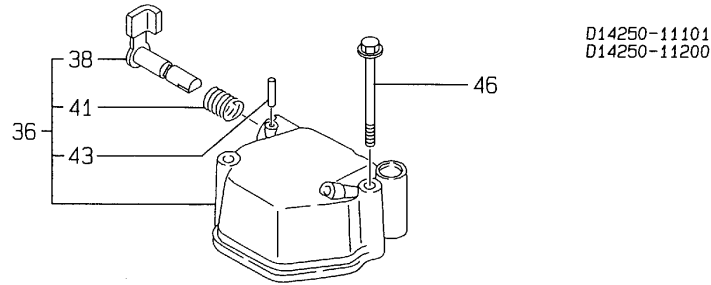
(B)=

(C)=

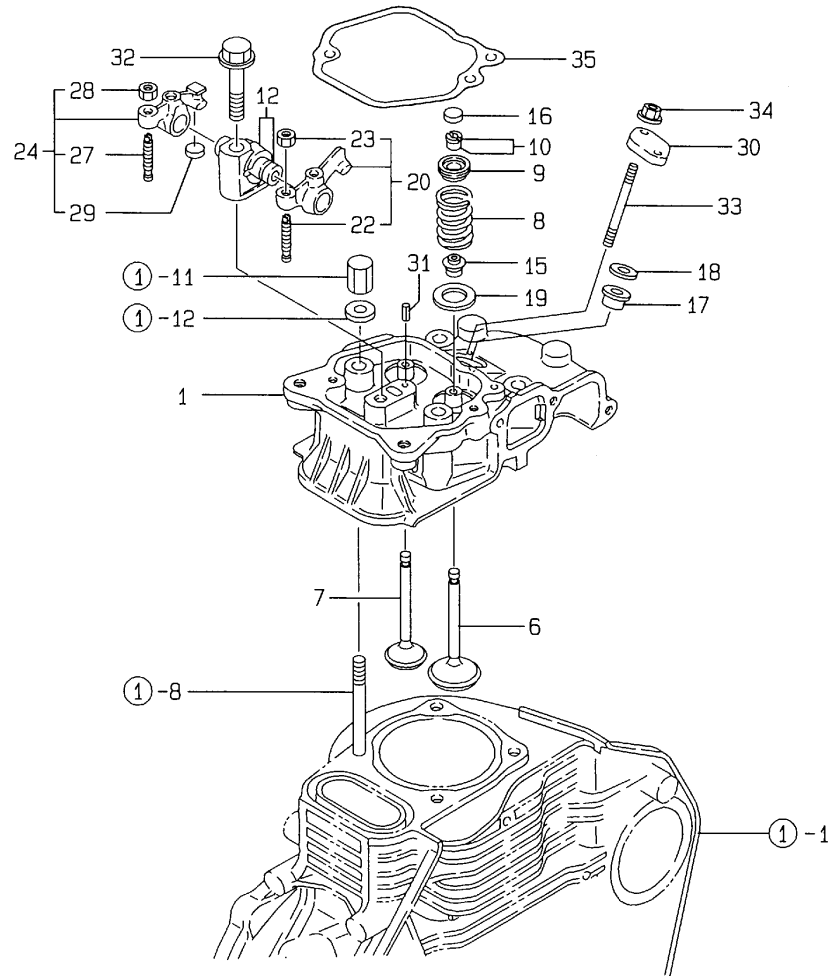
(D)=

(E)=

(F)=

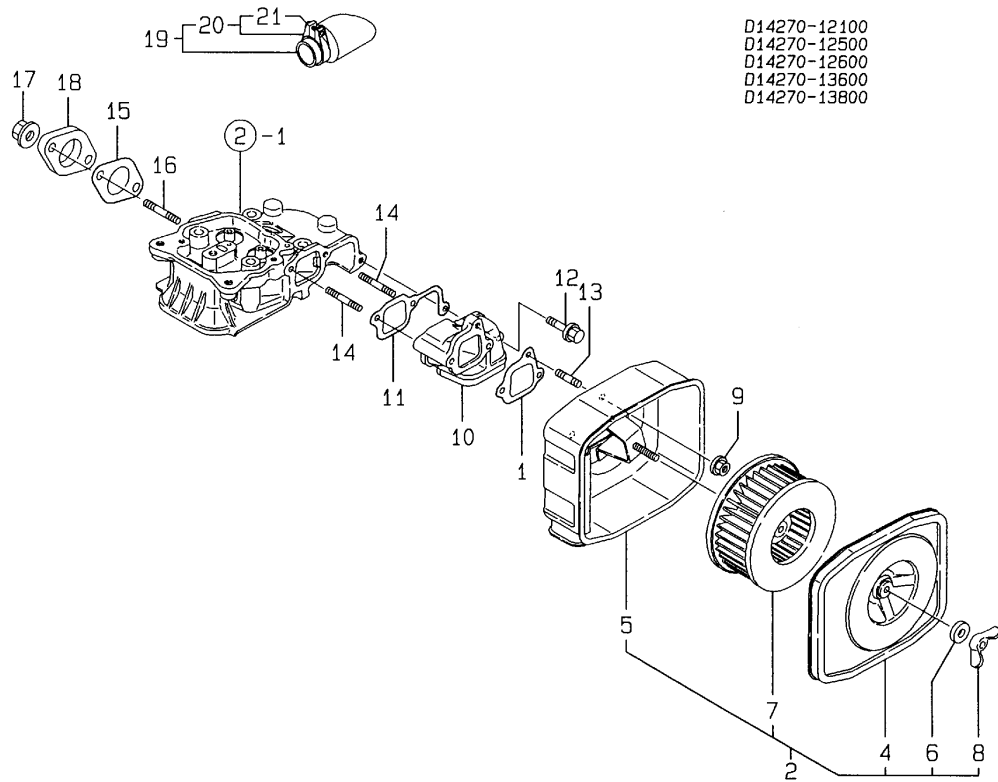


D14250-11101
D14250-11200



No.	Lev.	Parts No.	Description	Q'ty						I	R
				(A)	(B)	(C)	(D)	(E)	(F)		
1	1	114250-11020	HEAD ASSY, CYLINDER	1							
6	1	114250-11101	VALVE, INTAKE	1							
7	1	114250-11113	VALVE, EXHAUST	1							
8	1	114250-11120	SPRING, VALVE	2							
9	1	114250-11180	RETAINER, SPRING	2							
10	1	714250-11570	COTTER ASSY	2							
12	1	114250-11290	SUPPORT, ROCKER ARM	1							
15	1	114250-11340	SEAL, VALVE STEM	2							
16	1	119260-11370	CAP, VALVE	1							
17	1	114250-11460	GASKET, NOZZLE	1							
18	1	114350-11470	SPACER, NOZZLE	1							
19	1	114250-11600	WASHER	2							
20	1	114250-11651	ARM, ROCKER	1							
22	2	114250-11240	SCREW, VALVE ADJUST	1							
23	2	26756-060002	NUT, LOCK M6	1							
24	1	714270-11660	ARM ASSY, ROCKER	1							
27	2	114250-11240	SCREW, VALVE ADJUST	1							
28	2	26756-060002	NUT, LOCK M6	1							
29	2	119260-11370	CAP, VALVE	1							
30	1	114250-11900	RETAINER, NOZZLE	1							
31	1	22351-040008	PIN, SPRING 4.0X 8	1							
32	1	26106-080452	BOLT, M8X 45 PLATED	1							
33	1	26226-060502	STUD, M6X 50	2							
34	1	26366-060002	NUT, M6	2							
35	1	114250-11310	GASKET, BONNET	1							
36	1	114250-11951	BONNET ASSY, HEAD	1							
38	2	114250-03591	LEVER ASSY	1							
41	2	114250-03640	SPRING, DECOMPRESSION	1							
43	2	22312-030160	PIN, PARALLEL M3X16	1							
46	1	26106-060552	BOLT, M6X 55 PLATED	2							

Fig.3. AIR CLEANER & MUFFLER



D14270-12100
 D14270-12500
 D14270-12600
 D14270-13600
 D14270-13800

(A)=L48AEDDMK
 (B)=
 (C)=

(D)=
 (E)=
 (F)=

No.	Lev.	Parts No.	Description	Q'ty						I	R
				(A)	(B)	(C)	(D)	(E)	(F)		
1	1	114250-12210	GASKET, AIR CLEANER	1							
2	1	714250-12560	CLEANER ASSY, AIR	1							
4	2	114250-12520	COVER, AIR CLEANER	1							
5	2	114250-12530	CASE ASSY, CLEANER	1							
6	2	114250-12560	WASHER, SEAL M6	1							
7	2	114250-12580	ELEMENT	1							
8	2	114250-12550	NUT, WING M6	1							
9	1	26366-060002	NUT, M6	3							
10	1	114250-12010	PIPE, AIR INTAKE	1							
11	1	114250-12200	GASKET	1							
12	1	26106-060252	BOLT, M6X 25 PLATED	1							
13	1	26226-060142	STUD, M6X 14	1							
14	1	26226-060552	STUD, M6X 55	2							
15	1	114250-13200	GASKET, MUFFLER	4							
16	1	26216-080182	STUD, M8X 18	2							
17	1	26366-080002	NUT, M8	2							
18	1	114252-13900	FLANGE	3							
19	1	114252-13800	EXTENSION ASSY	1							
20	2	114252-13910	CLAMP	1							
21	3	114252-13960	SCREW 6X 25	1							

Fig.4. CRANKSHAFT, PISTON & CAMSHAFT

(A)=L48AEDDMK

(B)=

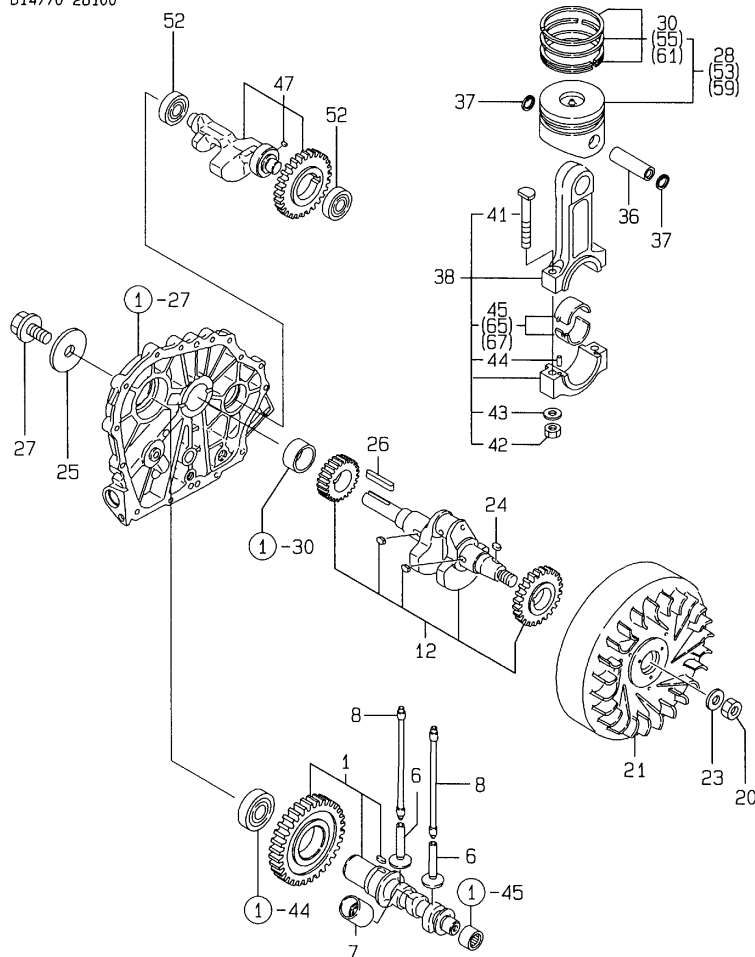
(C)=

(D)=

(E)=

(F)=

014780-14100
 014780-21100
 014781-21500
 014280-21700
 014780-22100
 014250-23100
 014770-28100

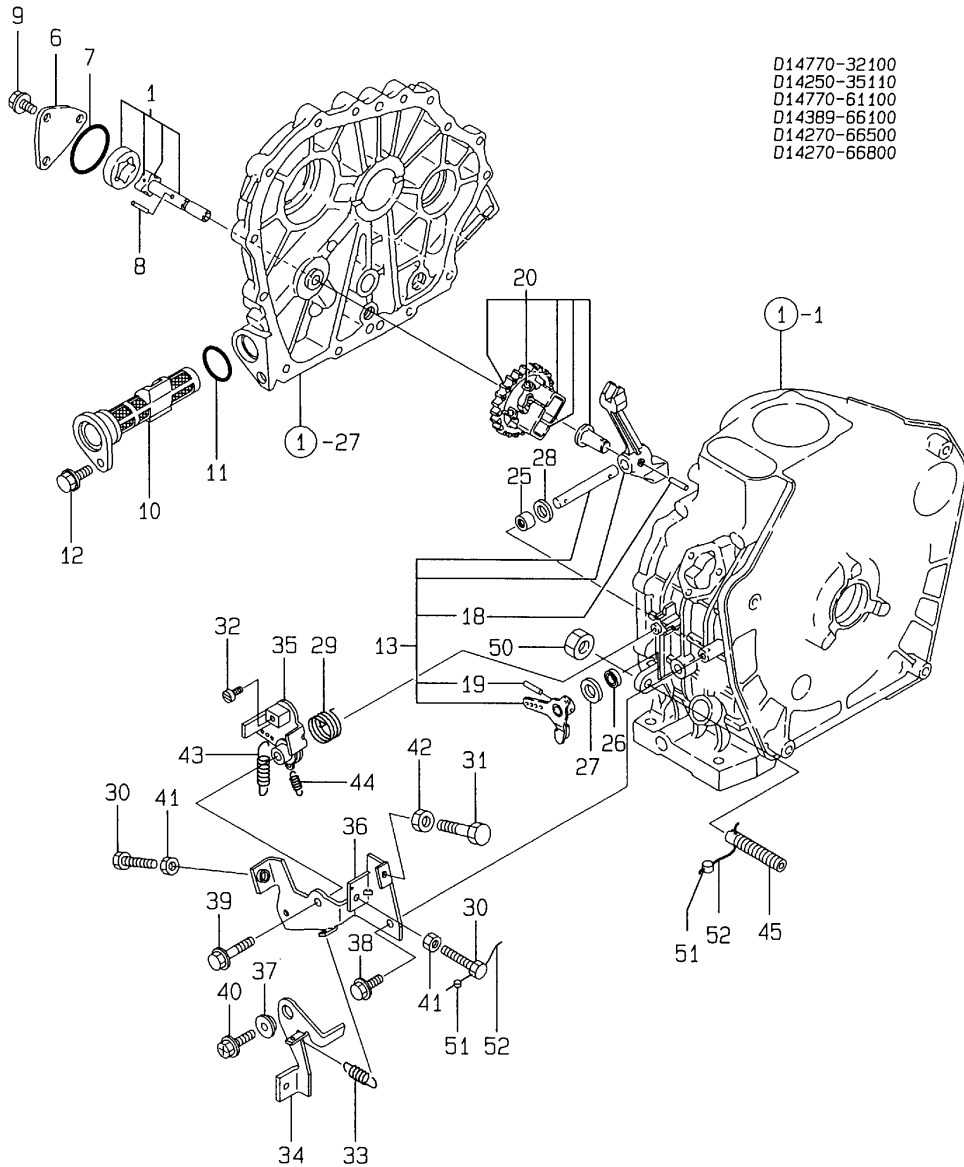


No.	Lev.	Parts No.	Description	Q'ty						I	R
				(A)	(B)	(C)	(D)	(E)	(F)		
1	1	714780-14580	CAMSHAFT ASSY	1							
1-1	1	714780-14581	CAMSHAFT ASSY, D	1							R
(A=EZZZZZ)											
6	1	114250-14200	TAPPET	2							
7	1	114250-14260	TAPPET	1							
8	1	114250-14450	ROD ASSY, PUSH	2							
12	1	714260-21740	CRANKSHAFT ASSY	1							
20	1	103854-01221	NUT, CYLINDER HEAD	1							
21	1	114780-21400	FLYWHEEL	1							M
21-1	1	114781-21590	FLYWHEEL ASSY	1							
22A	2	114262-21600	GEAR, RING	1							W
(A=FROM 1ST)											
23	1	114250-21550	WASHER	1							
24	1	22512-040120	KEY, 4X 12	1							
25	1	160310-14550	WASHER	1							
26	1	22512-050300	KEY, 5X 30	1							
27	1	26106-080202	BOLT, M8X 20 PLATED	1							
28	1	714780-22720	PISTON ASSY, D	1							
30	2	714770-22500	RING SET, PISTON	1							
36	1	114250-22302	PIN, PISTON D=19	1							
37	1	22252-000190	RING, 19	2							
38	1	714250-23703	ROD ASSY, CONNECTING	1							
41	2	114250-23200	BOLT, CONNECTING ROD	2							
42	2	114250-23220	NUT	2							
43	2	114250-23250	WASHER	2							
44	2	22312-030080	PIN, PARALLEL M3X 8	2							
45	2	714250-23600	BEARING, CRANK PIN	1							
47	1	714770-28510	SHAFT ASSY, BALANCER	1							
47-1	1	714770-28511	SHAFT ASSY, BALANCER	1							R
(A=EF5379)											
47-2	1	714770-28512	SHAFT ASSY, BALANCER	1							R
(A=EZZZZZ)											
52	1	24101-062024	BEARING, BALL 6202	2							
53	1	714780-22620	PISTON ASSY, 0.25 OS	1							1
55	2	714770-22540	RING SET, 0.25 OS	1							1
59	1	714780-22580	PISTON ASSY, 0.50 OS	1							2
61	2	714770-22550	RING SET, 0.50 OS	1							2
65	1	714250-23610	BEARING ASSY, 0.25	1							3
67	1	714250-23620	BEARING, 0.50 US	1							4

Remarks

- (1) OVER-SIZED(O.S=0.25)PART.
- (2) OVER-SIZED(O.S=0.50)PART.
- (3) UNDER-SIZED(U.S=0.25)PART.
- (4) UNDER-SIZED(U.S=0.50)PART.
- (M) MISPRINT.

Fig.5. LUB. OIL PUMP & GOVERNOR



(A)=L48AEDDMK

(B)=

(C)=

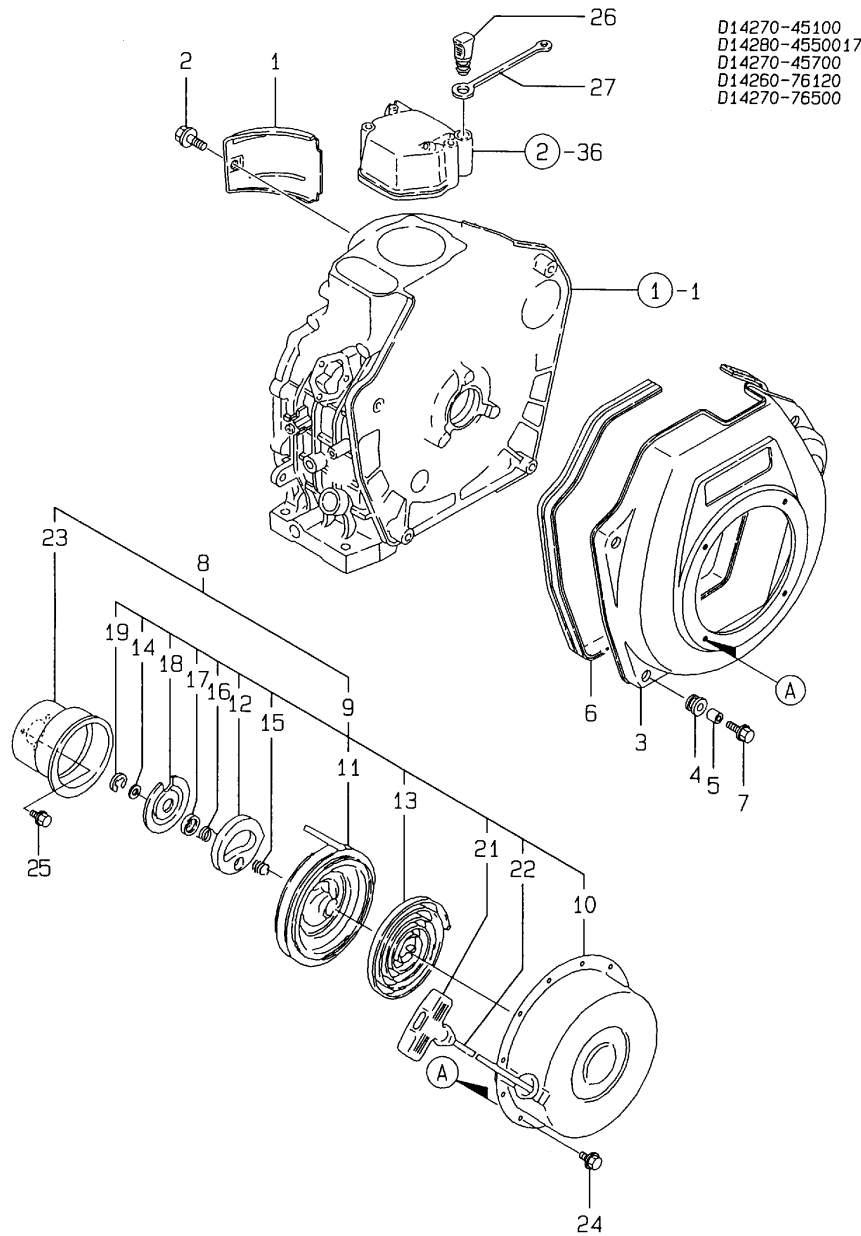
(D)=

(E)=

(F)=

No.	Lev.	Parts No.	Description	Q'ty						I	R
				(A)	(B)	(C)	(D)	(E)	(F)		
1	1	114250-32010	PUMP ASSY, OIL	1							
6	1	114250-32070	COVER	1							
7	1	103338-32570	O-RING	1							
8	1	22312-030160	PIN, PARALLEL M3X16	1							
9	1	26476-060142	SCREW, TAPPING M6X14	3							
10	1	114250-35070	FILTER, OIL	1							
11	1	24341-000224	O-RING, 1AS22.4	1							
12	1	26106-060162	BOLT, M6X 16 PLATED	1							
13	1	714250-61500	LEVER ASSY, GOVERNOR	1							
18	2	22322-030200	PIN, TAPER 3X20	1							
19	2	22322-030200	PIN, TAPER 3X20	1							
20	1	714770-61700	GOVERNOR ASSY	1							
25	1	114270-61520	BEARING, NEEDLE 8	2							
26	1	114770-61600	SEAL, OIL	1							
27	1	114770-61610	WASHER, THRUST	1							
28	1	22137-080000	WASHER, 8	1							
29	1	114252-66252	SPRING, RETURN	1							
30	1	114250-66440	BOLT, ADJUSTING	2							
31	1	102100-67080	BOLT, ADJUSTING	1							
32	1	105225-66990	SCREW, M5X8.5	1							
33	1	114268-66200	SPRING, RETURN	1							
34	1	114650-66150	LEVER, STOP	1							
35	1	114652-66871	LEVER, REGULATOR	1							
36	1	114652-66881	BRACKET	1							
37	1	114654-66140	PIECE	1							
38	1	26106-060122	BOLT, M6X 12 PLATED	1							
39	1	26106-060302	BOLT, M6X 30 PLATED	1							
40	1	26476-060202	SCREW, TAPPING M6X20	1							
41	1	26757-060002	NUT, LOCK M6	2							
42	1	26757-060002	NUT, LOCK M6	1							
43	1	114770-66010	SPRING, REGULATOR	1							
44	1	114250-66200	SPRING, RETURN	1							
45	1	114250-66550	LIMITER ASSY, FUEL	1							
50	1	26696-100002	NUT, LOCK M10	1							
51	1	135210-61090	LEAD	2							
52	1	22451-060000	WIRE, 0.6	2							

Fig.6. COOLING & STARTING DEVICE



D14270-45100
 D14280-4550017
 D14270-45700
 D14260-76120
 D14270-76500

(A)=L48AEDDMK

(B)=

(C)=

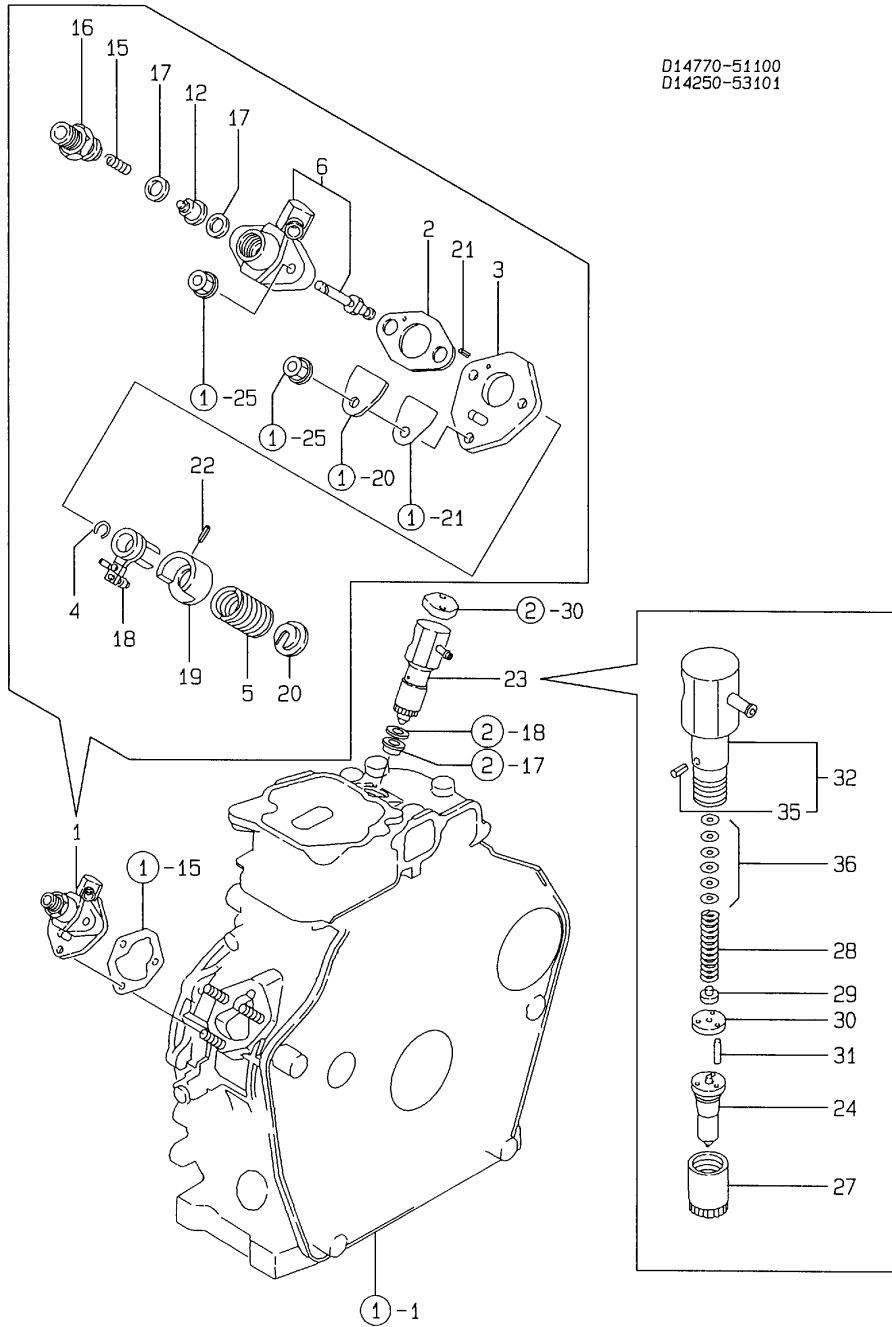
(D)=

(E)=

(F)=

No.	Lev.	Parts No.	Description	Qty						I	R
				(A)	(B)	(C)	(D)	(E)	(F)		
1	1	114250-45211	COVER	1							
2	1	26476-060142	SCREW, TAPPING M6X14	1							
3	1	114780-45100	CASE, COOLING FAN	1							
4	1	114250-45300	ABSORBER	4							
5	1	114250-45310	COLLAR	4							
6	1	114250-45330	SEAL, FAN CASE L=875	1							
7	1	114370-45350	BOLT	4							
8	1	114260-76050	STARTER ASSY, RECOIL	1							
9	2	114260-76250	STARTER ASSY, RECOIL	1							
10	3	114260-76520	CASE, STARTER	1							
11	3	160260-76520	REEL	1							
12	3	160260-76530	RATCHET	1							
13	3	160260-76540	SPRING, SPIRAL	1							
14	3	160260-76550	WASHER, THRUST	1							
15	3	160260-76560	SPRING, FRICTION	1							
16	3	160260-76570	SPRING, RETURN	1							
17	3	160260-76580	COVER	1							
18	3	160260-76590	PLATE, FRICTION	1							
19	3	160260-76600	CIRCLIP	1							
21	3	160260-76620	KNOB, STARTER	1							
22	3	160260-76630	ROPE, STARTER	1							
23	2	114250-76590	PULLEY, STARTER	1							
24	1	26106-060082	BOLT, M6X 8 PLATED	4							
25	1	26106-060122	BOLT, M6X 12 PLATED	3							
26	1	114250-76600	PLUNGER	1							
27	1	114250-76610	HOLDER, PLUNGER	1							

Fig.7. FUEL INJECTION PUMP



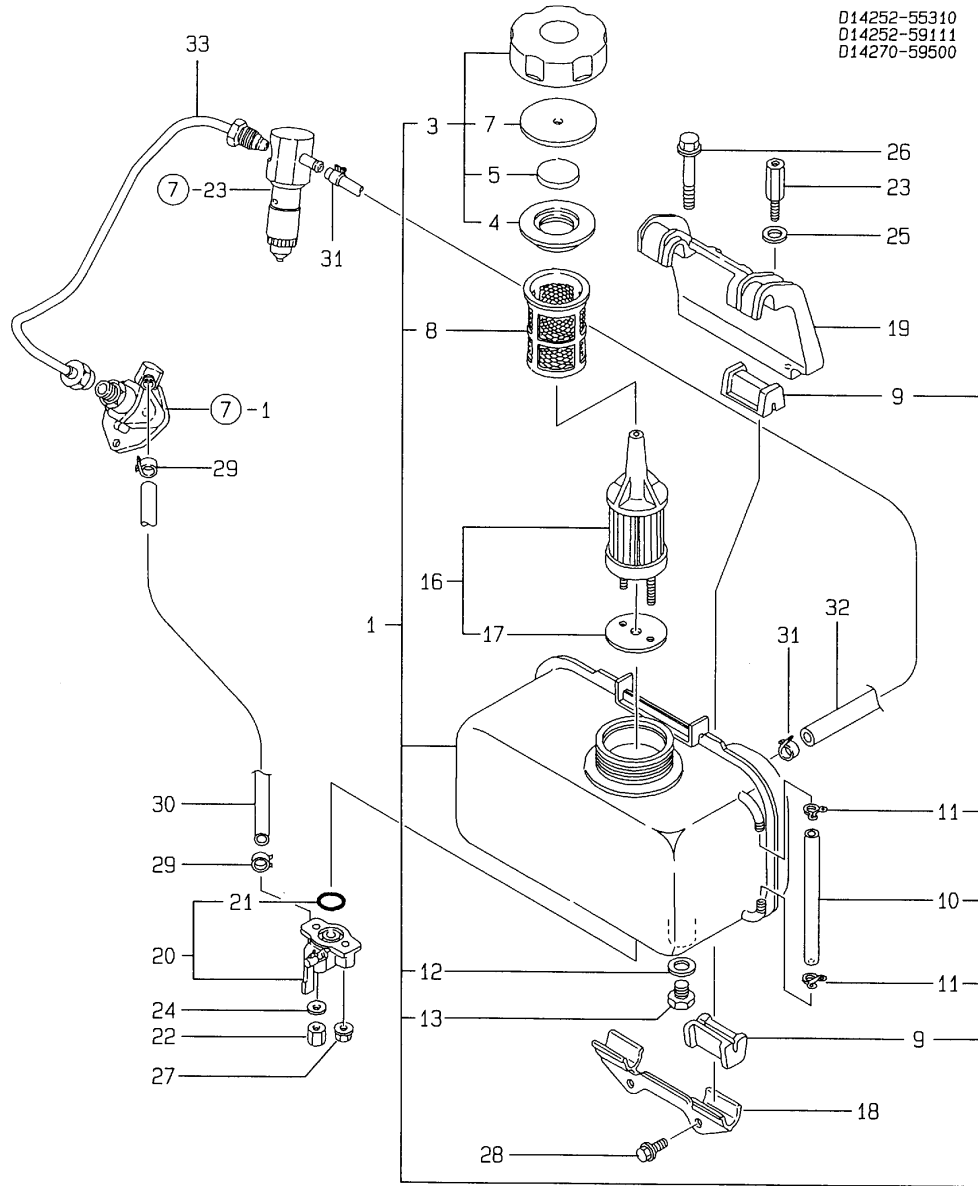
D14770-51100
D14250-53101

(A)=L48AEDMK
(B)=
(C)=

(D)=
(E)=
(F)=

No.	Lev.	Parts No.	Description	Q'ty						I	R
				(A)	(B)	(C)	(D)	(E)	(F)		
1	1	714770-51700	PUMP ASSY, INJECTION	1							
2	2	105546-51020	GASKET	1							
3	2	114250-51080	PLATE	1							
4	2	114250-51150	RING, SNAP	1							
5	2	114250-51160	SPRING, PLUNGER	1							
6	2	114250-51200	BODY ASSY, PUMP	1							
12	2	114250-51300	VALVE ASSY, DELIVERY	1							
15	2	105546-51330	SPRING, DELIVERY	1							
16	2	114250-51340	HOLDER, DELIVERY	1							
17	2	124550-51350	GASKET, DELIVERY	2							
18	2	114250-51600	LEVER ASSY, CONTROL	1							
19	2	114250-51640	SEAT, SPRING A	1							
20	2	114250-51650	SEAT, SPRING B	1							
21	2	22351-020006	PIN, SPRING 2.0X 6	2							
22	2	22351-030008	PIN, SPRING 3.0X 8	1							
23	1	714250-53101	VALVE ASSY, INJECTION	1							
24	2	114250-53001	VALVE ASSY, INJECTION	1							
27	2	114250-53080	NUT, NOZZLE D16.95	1							
28	2	114250-53120	SPRING, NOZZLE	1							
29	2	114250-53130	SEAT, SPRING	1							
30	2	114250-53140	PLATE	1							
31	2	114250-53210	PIN	2							
32	2	114250-53300	HOLDER ASSY, NOZZLE	1							
35	3	114250-53331	PIN	1							
36	2	114250-53400	SHIM SET	1							

Fig.8. FUEL TANK & FUEL PIPE



(A)=L48AEDDMK

(B)=

(C)=

(D)=

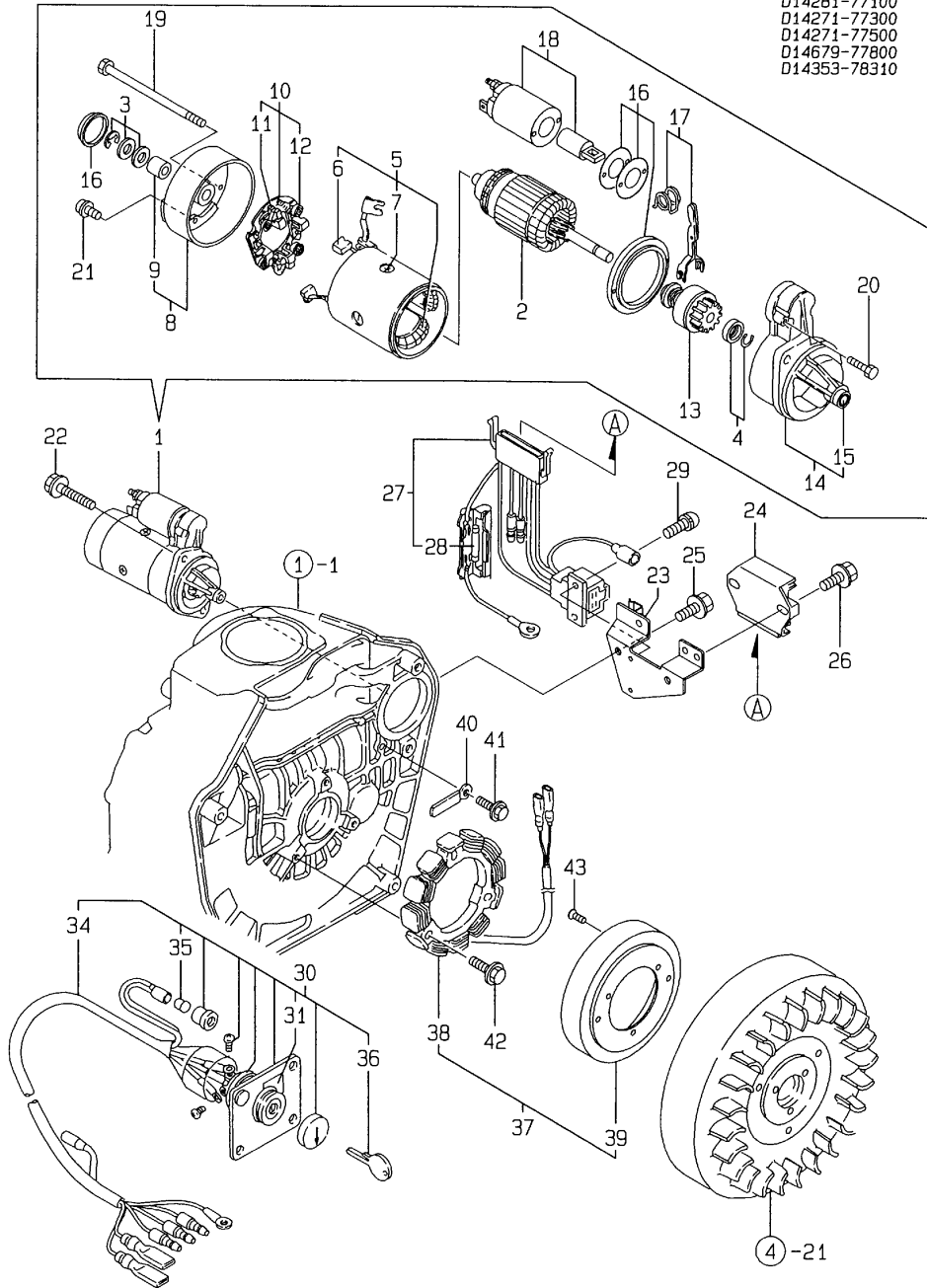
(E)=

(F)=

No.	Lev.	Parts No.	Description	Qty						I	R
				(A)	(B)	(C)	(D)	(E)	(F)		
1	1	714350-55701	TANK ASSY, FUEL	1							
3	2	114250-55041	CAP ASSY	1							
4	3	114250-55050	GASKET	1							
5	3	114250-55060	SEAL	1							
7	3	114250-55080	SEAT	1							
8	2	114250-55100	FILTER, FUEL	1							
9	2	114250-55201	DAMPER, FUEL TANK	4							
10	2	114350-55150	GAUGE, LEVEL	1							
11	2	124722-59050	CLIP, HOSE 9	2							
12	2	23414-120000	GASKET, 12X1.0	1							
13	2	23887-120002	PLUG, 12	1							
16	1	114350-55120	FILTER ASSY, FUEL	1							
17	2	114250-55130	GASKET	1							
18	1	114252-55231	STAY, FUEL TANK	1							
19	1	114252-55241	STAY, FUEL TANK	1							
20	1	114250-55300	COCK ASSY, FUEL	1							
21	2	24341-000150	O-RING, 1AS15.0	1							
22	1	114252-55800	NUT	1							
23	1	114650-55810	BOLT	1							
24	1	22117-060000	WASHER, 6	1							
25	1	22117-080000	WASHER, 8	1							
26	1	26106-080452	BOLT, M8X 45 PLATED	1							
27	1	26366-060002	NUT, M6	1							
28	1	26476-060302	SCREW, TAPPING M6X30	2							
29	1	106990-44660	CLIP, HOSE 12.5	2							
30	1	114252-59050	PIPE, FUEL	1							
31	1	124722-59050	CLIP, HOSE 9	2							
32	1	114250-59060	PIPE, FUEL RETURN	1							
33	1	114250-59800	PIPE ASSY, INJECTION	1							

Fig.9. STARTING MOTOR & DYNAMO

D14281-77100
 D14271-77300
 D14271-77500
 D14679-77800
 D14353-78310



(A)=L48AEDDMK

(B)=

(C)=

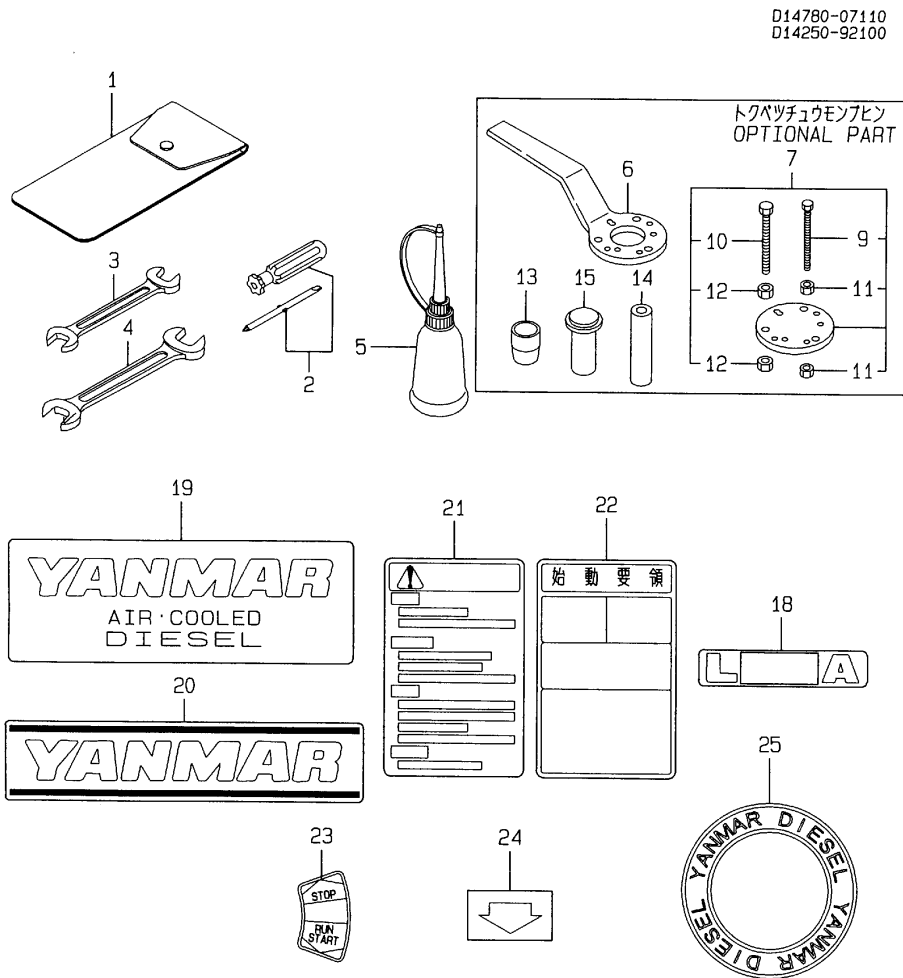
(D)=

(E)=

(F)=

No.	Lev.	Parts No.	Description	Q'ty						I	R
				(A)	(B)	(C)	(D)	(E)	(F)		
1	1	114362-77011	STARTER (S114-414A)	1							
2	2	X211461104	ARMATURE	1							
3	2	X21148110	WASHER SET, THRUST	1							
4	2	X21147155	STOPPER SET, PINION	1							
5	2	X211412105	COIL ASSY, FIELD	1							
6	3	X21145312	BRUSH, +	2							
7	3	X21143215	SCREW, CORE	4							
8	2	X211473002	COVER, REAR	1							
9	3	X21145352	METAL	1							
10	2	X211489001	HOLDER ASSY, BRUSH	1							
11	3	X21148313	BRUSH (-)	1							
12	3	X21149314	SPRING, BRUSH	3							
13	2	X211445508	PINION ASSY	1							
14	2	X211416603	HOUSING ASSY, GEAR	1							
15	3	X21145352	METAL	1							
16	2	X211478006	COVER KIT	1							
17	2	X211456013	LEVER KIT, SHIFT	1							
18	2	X211427501	SWITCH, MAGNETIC	1							
19	2	X211468005	BOLT, THROUGH	2							
20	2	X21145867	BOLT, M6	2							
21	2	X21142835	SCREW SET	1							
22	1	26106-100302	BOLT, M10X 30 PLATED	2							
23	1	114385-77400	BRACKET	1							
24	1	119660-77710	LIMITER, CURRENT 15A	1							
25	1	26106-060122	BOLT, M6X 12 PLATED	2							
26	1	26106-060202	BOLT, M6X 20 PLATED	2							
27	1	114351-77540	HARNES, WIRE	1							
28	2	29411-150000	FUSE, CARTRIDGE 15A	2							
29	1	26023-040102	SCREW, M4X10	2							
30	1	114351-77500	PANEL ASSY	1							
31	2	105198-07120	LABEL, STARTER	1							
34	2	114351-77700	HARNES, WIRE	1							
35	3	29220-083200	BULB 12V 3.4KW	1							
36	2	106100-77630	KEY, SWITCH	2							
37	1	114351-78260	DYNAMO ASSY	1							
38	2	114351-78770	STATOR ASSY, 132.1MM	1							
39	2	114351-78780	WHEEL, DYNAMO	1							
40	1	160710-78710	CLAMP, CORD	1							
41	1	26476-060142	SCREW, TAPPING M6X14	1							
42	1	26476-060202	SCREW, TAPPING M6X20	3							
43	1	26577-060142	SCREW M 6X 14	3							

Fig.10. TOOL & LABEL



(A)=L48AEDDMK

(B)=

(C)=

(D)=

(E)=

(F)=

No.	Lev.	Parts No.	Description	Q'ty						I	R
				(A)	(B)	(C)	(D)	(E)	(F)		
1	1	114250-92600	BAG, TOOL	1							
2	1	160330-92730	DRIVE, SCREW	1							
3	1	28110-100120	SPANNER, 10X12	1							
4	1	28110-140170	SPANNER, 14X17	1							
5	1	28210-000150	OILER	1							
6	1	114250-92101	F.W. LOCKING HANDLE	1							1
7	1	114250-92130	REMOVER, FLYWHEEL	1							1
9	2	26116-060454	BOLT M 6X 45 PLATED	4							1
10	2	26116-080454	BOLT, M8X 45 PLATED	3							1
11	2	26716-060002	NUT, M6	8							1
12	2	26716-080002	NUT, M8	6							1
13	1	114250-92301	GUIDE	1							1
14	1	114250-92311	INSTALLING TOOL	1							1
15	1	114250-92350	INSTALLING TOOL	1							1
18	1	114770-07050	LABEL, (L48A)	1							
19	1	114250-07090	LABEL, AIR COOLED	1							
20	1	114250-07110	LABEL, YANMAR	1							
21	1	114250-07240	LABEL, CAUTION	1							
22	1	114250-07250	LABEL, HOW TO START	1							
23	1	114250-07260	LABEL, OPERATION	1							
24	1	114250-07270	LABEL, DECOMP.	1							
25	1	114250-07350	LABEL, YANMAR DIESEL	1							

Remarks
(1) OPTIONAL PART.

Parts No. Index

Parts No.	Fig. No.	Ref. No.
102100-67080	5	31
103338-32570	5	7
103854-01221	4	20
105198-07120	9	31
105225-66990	5	32
105425-01690	1	35
105546-51020	7	2
105546-51330	7	15
106100-77630	9	36
106990-44660	8	29
114250-01200	1	8
114250-01210	1	9
114250-01220	1	10
114250-01250	1	11
114250-01380	1	14
114250-01412	1	26
114250-01800	1	15
114250-01830	1	20
114250-01840	1	21
114250-02030	1	40
114250-02100	1	30
114250-02113	1	41
114250-02200	1	49
114250-02210	1	50
114250-03591	2	38
114250-03640	2	41
114250-07090	10	19
114250-07110	10	20
114250-07240	10	21
114250-07250	10	22
114250-07260	10	23
114250-07270	10	24
114250-07350	10	25
114250-11020	2	1
114250-11101	2	6
114250-11113	2	7
114250-11120	2	8
114250-11180	2	9
114250-11240	2	22
		27
114250-11290	2	12
114250-11310	2	35
114250-11340	2	15
114250-11460	2	17
114250-11600	2	19
114250-11651	2	20
114250-11900	2	30
114250-11951	2	36
114250-12010	3	10
114250-12200	3	11

Parts No.	Fig. No.	Ref. No.
114250-12210	3	1
114250-12520	3	4
114250-12530	3	5
114250-12550	3	8
114250-12560	3	6
114250-12580	3	7
114250-13200	3	15
114250-14200	4	6
114250-14260	4	7
114250-14450	4	8
114250-21550	4	23
114250-22302	4	36
114250-23200	4	41
114250-23220	4	42
114250-23250	4	43
114250-32010	5	1
114250-32070	5	6
114250-35070	5	10
114250-35150	1	32
114250-45211	6	1
114250-45300	6	4
114250-45310	6	5
114250-45330	6	6
114250-51080	7	3
114250-51150	7	4
114250-51160	7	5
114250-51200	7	6
114250-51300	7	12
114250-51340	7	16
114250-51600	7	18
114250-51640	7	19
114250-51650	7	20
114250-53001	7	24
114250-53080	7	27
114250-53120	7	28
114250-53130	7	29
114250-53140	7	30
114250-53210	7	31
114250-53300	7	32
114250-53331	7	35
114250-53400	7	36
114250-55041	8	3
114250-55050	8	4
114250-55060	8	5
114250-55080	8	7
114250-55100	8	8
114250-55130	8	17
114250-55201	8	9
114250-55300	8	20
114250-59060	8	32

Parts No.	Fig. No.	Ref. No.
114250-59800	8	33
114250-66200	5	44
114250-66440	5	30
114250-66550	5	45
114250-76590	6	23
114250-76600	6	26
114250-76610	6	27
114250-92101	10	6
114250-92130	10	7
114250-92301	10	13
114250-92311	10	14
114250-92350	10	15
114250-92600	10	1
114252-13800	3	19
114252-13900	3	18
114252-13910	3	20
114252-13960	3	21
114252-55231	8	18
114252-55241	8	19
114252-55800	8	22
114252-59050	8	30
114252-66252	5	29
114260-01453	1	27
114260-76050	6	8
114260-76250	6	9
114260-76520	6	10
114262-21600	4	22 A
114268-66200	5	33
114270-61520	5	25
114350-01700	1	6
114350-11470	2	18
114350-55120	8	16
114350-55150	8	10
114351-77500	9	30
114351-77540	9	27
114351-77700	9	34
114351-78260	9	37
114351-78770	9	38
114351-78780	9	39
114362-77011	9	1
114370-45350	6	7
114385-77400	9	23
114650-55810	8	23
114650-66150	5	34
114652-66871	5	35
114652-66881	5	36
114654-66140	5	37
114770-01340	1	13
114770-07050	10	18
114770-61600	5	26

Parts No.	Fig. No.	Ref. No.
114770-61610	5	27
114770-66010	5	43
114780-21400	4	21
114780-45100	6	3
114781-21590	4	21 -1
119260-11370	2	16
		29
119660-77710	9	24
121252-39450	1	47
124550-51350	7	17
124722-59050	8	11
		31
124950-01250	1	12
135210-61090	5	51
160110-02220	1	42
160210-02220	1	43
160260-76520	6	11
160260-76530	6	12
160260-76540	6	13
160260-76550	6	14
160260-76560	6	15
160260-76570	6	16
160260-76580	6	17
160260-76590	6	18
160260-76600	6	19
160260-76620	6	21
160260-76630	6	22
160310-14550	4	25
160330-92730	10	2
160710-01760	1	36
160710-78710	9	40
22117-060000	8	24
22117-080000	8	25
22137-080000	5	28
22190-160002	1	39
22252-000190	4	37
22312-030080	4	44
22312-030160	2	43
		5
		8
22312-080120	1	22
22322-030200	5	18
		19
22351-020006	7	21
22351-030008	7	22
22351-040008	2	31
22451-060000	5	52
22512-040120	4	24
22512-050300	4	26
23112-010007	1	48
23414-120000	8	12

Parts No. Index

Parts No.	Fig. No.	Ref. No.
23887-120002	8	13
24101-062024	4	52
24101-062050	1	44
24162-152112	1	45
24311-000180	1	38
24341-000150	8	21
24341-000224	5	11
26023-040102	9	29
26106-060082	6	24
26106-060122	5	38
	6	25
	9	25
26106-060162	5	12
26106-060202	9	26
26106-060252	1	33
	3	12
26106-060302	5	39
26106-060552	2	46
26106-080122	1	46
26106-080202	4	27
26106-080352	1	34
26106-080452	2	32
	8	26
26106-100122	1	7
26106-100302	9	22
26116-060454	10	9
26116-080454	10	10
26216-080182	3	16
26226-060142	3	13
26226-060182	1	23
26226-060222	1	24
26226-060502	2	33
26226-060552	3	14
26366-060002	1	25
	2	34
	3	9
	8	27
26366-080002	3	17
26476-060142	5	9
	6	2
	9	41
26476-060202	5	40
	9	42
26476-060302	8	28
26577-060142	9	43
26696-100002	5	50
26716-060002	10	11
26716-080002	10	12
26756-060002	2	23
		28

Parts No.	Fig. No.	Ref. No.
26757-060002	5	41
		42
28110-100120	10	3
28110-140170	10	4
28210-000150	10	5
29220-083200	9	35
29411-150000	9	28
714250-11570	2	10
714250-12560	3	2
714250-23600	4	45
714250-23610	4	65
714250-23620	4	67
714250-23703	4	38
714250-53101	7	23
714250-61500	5	13
714260-21740	4	12
714270-11660	2	24
714350-55701	8	1
714770-22500	4	30
714770-22540	4	55
714770-22550	4	61
714770-28510	4	47
714770-28511	4	47 -1
714770-28512	4	47 -2
714770-51700	7	1
714770-61700	5	20
714771-01560	1	1
714780-14580	4	1
714780-14581	4	1 -1
714780-22580	4	59
714780-22620	4	53
714780-22720	4	28
X211412105	9	5
X211416603	9	14
X211427501	9	18
X21142835	9	21
X21143215	9	7
X211445508	9	13
X21145312	9	6
X21145352	9	9
		15
X211456013	9	17
X21145867	9	20
X211461104	9	2
X211468005	9	19
X21147155	9	4
X211473002	9	8
X211478006	9	16
X21148110	9	3
X21148313	9	11

Parts No.	Fig. No.	Ref. No.
X211489001	9	10
X21149314	9	12

Parts No.	Fig. No.	Ref. No.
-----------	----------	----------