

OCD10-M48800EN

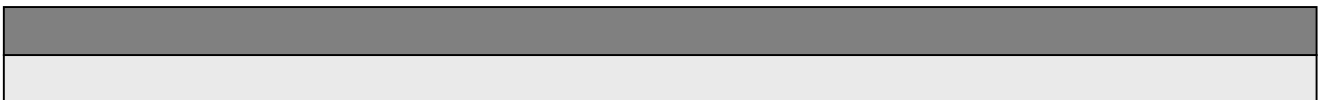
PREFACE

1. This Parts Catalog is the 1st edition of EP1200-3500BL Diesel Engine for HOKUETSU.

Pub. No. : 000Y00D4880
Published : December, 1993

2. Model name

Engine model	Vehicle		Vehicle made by
	Products	Model name	
EP1200-3500BL	GENERATOR	—	HOKUETSU



Directions for the Parts Catalog.

1. The parts stipulated in this Parts Catalog are not necessarily standard equipped parts.
2. Parts may change without prior notice.
3. The following is an example of the Parts Catalog format.

OCF10-G21601 29. FUEL INJECTION PUMP(W/BOOST)

REF.	LEV.	PARTS NO.	DESCRIPTION	Q'TY						I	R
				(A)	(B)	(C)	(D)	(E)	(F)		
1	1	729595-51390	FUEL INJECTION PUMP	1	1	1	1	1			1
1-1	1	729595-51391	FUEL INJECTION PUMP	1	1	1	1	1		N	1
		(A=E00185) (B=E00200)									
3	2	26022-060162	SCREW M 6X 16	9	9	9	9	9			
3-1	2	26022-060162	SCREW M 6X 16	4	4	4	4	4		K	
		(A=E00156) (B=E00156) (C=E00156) (D=E00156) (E=E00156)									
4	2	129470-51040	CAMSHAFT	1	1	1	1	1			
5	2	122710-51050	BEARING, ROLLER	2	2	2	2	2			
6	2	129470-51060	RETAINER	1	1	1	1	1			

Remarks

(1) BOOST COMPEMSATOR TYPE. OPTIONAL PART, TO E00155,(4JH-DT, 4JH-DTZ

① Ref. No.

The Ref. No. listed may not be in accordance with the illustration Ref. No.

(Ex.) Illustration No.

List Ref No.

1

1

(Before change)

1-1

(After change)

For interchangeable symbols N, R and K, illustrations for new parts may be abbreviated.

② Lev. (Level)

Level indication

The numbers below indicate the level of relativity towards the main part.

1 ----- Main parts (Assembly parts)

2 ----- Sub component included in " 1 ".

3 ----- Sub component included in " 2 ".

Note) Parts that are not for sale are partially illustrated but not listed.

③ Interchangeability Mark

When a part change takes place, one of the following interchangeability symbols is indicated beside the part.

Symbol	Interchangeability	Contents note
N	Old $\begin{matrix} \leftarrow \text{Yes} \\ \text{No} \rightarrow \end{matrix}$ New	New Part is interchangeable for Old Part but Old Part is not interchangeable for New Part.
Q	Old $\begin{matrix} \leftarrow \text{No} \\ \text{Yes} \rightarrow \end{matrix}$ New	New Part is not interchangeable for Old Part but Old Part is interchangeable for New Part.
R	Old $\begin{matrix} \leftarrow \text{Yes} \\ \text{Yes} \rightarrow \end{matrix}$ New	New/ Old Parts are both interchangeable.
S	Old $\begin{matrix} \leftarrow \text{No} \\ \text{No} \rightarrow \end{matrix}$ New	New/ Old Parts are both not interchangeable.
W		Part newly added.
Z		Part discontinued.
F		Not interchangeable by a single part but interchangeable together with related parts.
K		Changes only for used parts quantities.

④ Effective Machine No.

When a part changes, the effective Machine No. will be indicated in the (A)-(F) column.

Product Symbol	Product No.	Product Symbol	Product No.
C	Clutch No. Compressor No.	F	Machine No. (Agricultural Equip.)
D	Drive No.	M	Machine No.
E	Engine No.		

Note 1) A date may follow the symbol. (Ex.) 1996.01

Note 2) "XXXXX" and "ZZZZZ" are for parts that could not be predicted or for engine models that could not be identified.

Note 3) (A=E00185) is the E (Engine Serial Number) for the column (A) model (in this case 4JH-DT) after the parts design change.

⑤ Remarks Mark

Figures or alphabets (symbols) are entered in the remarks column.

The comments (remarks) on parts that are indicated at the bottom of the illustration are the same symbols as those stated above.

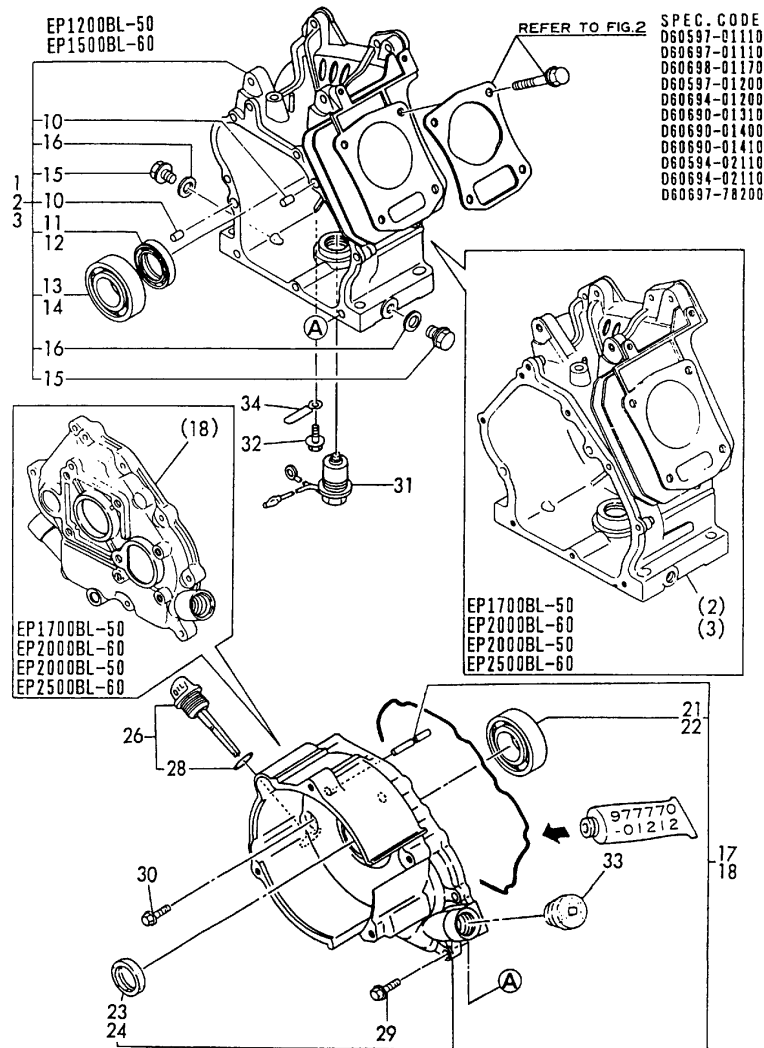
Contents

Fig. No.	Fig. Name	Fig. No.	Fig. Name
EP1200BL-2500BL		25.	PANEL
1.	CYLINDER BLOCK	26.	GASKET SET(OPTIONAL)
2.	CYLINDER HEAD & BONNET		
3.	AIR CLEANER & MUFFLER		
4.	CRANKSHAFT,PISTON & CAMSHAFT		
5.	FUEL TANK & FUEL LINE		
6.	CARBURETOR		
7.	GOVERNOR & CONTROL DEVICE		
8.	MAGNETO & STARTING DEVICE		
9.	TOOL & LABEL		
10.	FRAME		
11.	GENERATOR		
12.	PANEL		
13.	GASKET SET(OPTIONAL)		
14.	CYLINDER BLOCK		
15.	CYLINDER HEAD & BONNET		
16.	AIR CLEANER & MUFFLER		
17.	CRANKSHAFT, PISTON & CAMSHAFT		
18.	FUEL TANK & FUEL LINE		
19.	CARBURETOR		
20.	GOVERNOR & CONTROL DEVICE		
21.	MAGNETO & STARTING DEVICE		
22.	TOOL & LABEL		
23.	FRAME		
24.	GENERATOR		

Fig.1. CYLINDER BLOCK

(A)=EP1200BL-51
 (B)=EP1500BL-61
 (C)=EP1700BL-51

(D)=EP2000BL-61
 (E)=EP2000BL-51
 (F)=EP2500BL-61



No.	Lev.	Parts No.	Description	Q'ty						I	R
				(A)	(B)	(C)	(D)	(E)	(F)		
1	1	760597-01560	BLOCK ASSY, CYLINDER	1	1						
2	1	760697-01560	BLOCK ASSY, CYLINDER			1	1				
3	1	760698-01641	BLOCK ASSY, CYLINDER					1	1		
10	2	22312-080120	PIN, PARALLEL M8X12	2	2	2	2	2	2		
11	2	160610-02220	SEAL, 20326	1	1						
12	2	160690-02220	SEAL, TC25416			1	1	1	1		
13	2	24101-062040	BEARING, BALL 6204C3	1	1						
14	2	24101-062050	BEARING, BALL 6205C3			1	1	1	1		
15	2	160610-01690	PLUG, M12	2	2	2	2	2	2		
16	2	104200-59170	GASKET, 12	2	2	2	2	2	2		A
17	1	760597-01500	COVER ASSY	1	1						
18	1	760694-01500	COVER ASSY			1	1	1	1		
21	2	24101-062040	BEARING, BALL 6204C3	1	1						
22	2	24101-062050	BEARING, BALL 6205C3			1	1	1	1		
23	2	160640-02220	SEAL, OIL	1	1						
24	2	160690-02220	SEAL, TC25416			1	1	1	1		
26	1	160710-01760	CAP ASSY, L82	1	1	1	1	1	1		
28	2	24311-000180	O-RING, 1AP18.0	1	1	1	1	1	1		A
29	1	26476-060252	SCREW, TAPPING M6X25	4	4	8	8	8	8		
30	1	26476-060302	SCREW, TAPPING M6X30	4	4						
31	1	160770-78820	SENSOR	1	1	1	1	1	1		
32	1	26476-060142	SCREW, TAPPING M6X14	1	1	1	1	1	1		
33	1	160110-01870	PLUG, RUBBER	1	1	1	1	1	1		
34	1	160260-78700	CLAMP	1	1	1	1	1	1		

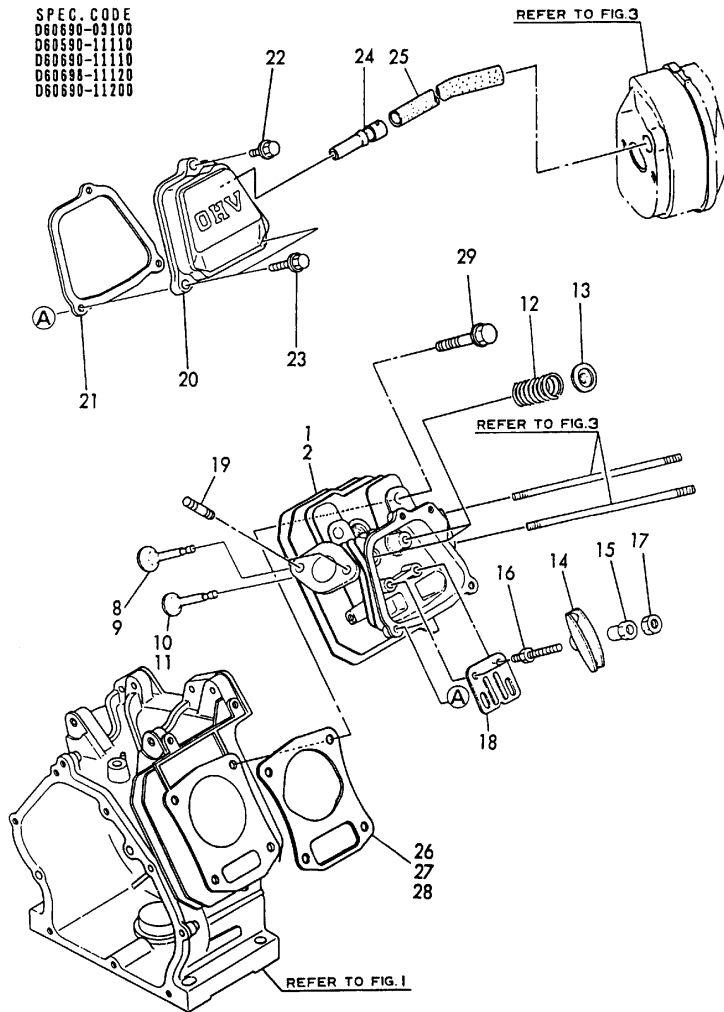
Remarks

(A) THIS PART IS ALSO SOLD BY GASKET SET(FIG 13.REF NO.1,2 & 3).

Fig.2. CYLINDER HEAD & BONNET

(A)=EP1200BL-51
 (B)=EP1500BL-61
 (C)=EP1700BL-51

(D)=EP2000BL-61
 (E)=EP2000BL-51
 (F)=EP2500BL-61



No.	Lev.	Parts No.	Description	Q'ty						I	R
				(A)	(B)	(C)	(D)	(E)	(F)		
1	1	160590-11010	HEAD ASSY, CYLINDER	1	1						
2	1	160690-11010	HEAD, CYLINDER			1	1	1	1		
8	1	160590-11100	VALVE, INTAKE	1	1						
9	1	160690-11100	VALVE, INTAKE			1	1	1	1		
9-1	1	160690-11130	VALVE, INTAKE (C=E/#600073) (D=E/#600103) (E=E/#700082) (F=E/#200057)			1	1	1	1	S	1
10	1	160590-11110	VALVE, EXHAUST	1	1						
11	1	160690-11110	VALVE, EXHAUST			1	1	1	1		
11-1	1	160690-11140	VALVE, EXHAUST (C=E/#600073) (D=E/#600103) (E=E/#700082) (F=E/#200057)			1	1	1	1	S	1
12	1	160690-11120	SPRING, VALVE	2	2	2	2	2	2		
12-1	1	160690-11150	SPRING, VALVE (C=E/#600073) (D=E/#600103) (E=E/#700082) (F=E/#200057)	2	2	2	2	2	2	S	1
13	1	160690-11180	RETAINER, SPRING	2	2	2	2	2	2		
13-1	1	101158-11180	RETAINER, SPRING (C=E/#600073) (D=E/#600103) (E=E/#700082) (F=E/#200057)	2	2	2	2	2	2	S	1
14	1	160690-11200	ARM, ROCKER	2	2	2	2	2	2		
15	1	160690-11220	PIVOT, ROCKER ARM	2	2	2	2	2	2		
15-1	1	160690-11221	PIVOT, ROCKER ARM (A=EZZZZZ) (B=EZZZZZ)	2	2	2	2	2	2		N
16	1	160690-11271	BOLT	2	2	2	2	2	2		
17	1	160690-11280	NUT, M6X0.5	2	2	2	2	2	2		
18	1	160690-11290	PLATE, GUIDE	1	1	1	1	1	1		
19	1	26216-080182	STUD, M8X 18	2	2	2	2	2	2		
20	1	160690-11300	BONNET	1	1	1	1	1	1		
21	1	160690-11310	GASKET, BONNET	1	1	1	1	1	1		A
22	1	26106-060202	BOLT, M6X 20 PLATED	1	1	1	1	1	1		
23	1	26106-060352	BOLT, M6X 35 PLATED	2	2	2	2	2	2		
24	1	160690-03050	BREATHER	1	1	1	1	1	1		
25	1	160810-03180	PIPE, BREATHER	1	1	1	1	1	1		
26	1	160590-01330	GASKET, HEAD	1	1						A
27	1	160690-01330	GASKET, HEAD			1	1				A
28	1	160698-01330	GASKET, HEAD					1	1		A
29	1	160610-04201	BOLT, FLANGE M8X53	4	4	4	4	4	4		
30	1	27310-060001	COTTER, 6 (C=E/#600052) (D=E/#600052) (E=E/#700052) (F=E/#200052)			2	2	2	2	W	1
31	1	22137-060000	WASHER, 6 (C=E/#600052) (D=E/#600052) (E=E/#700052) (F=E/#200052)			2	2	2	2	W	1

Remarks

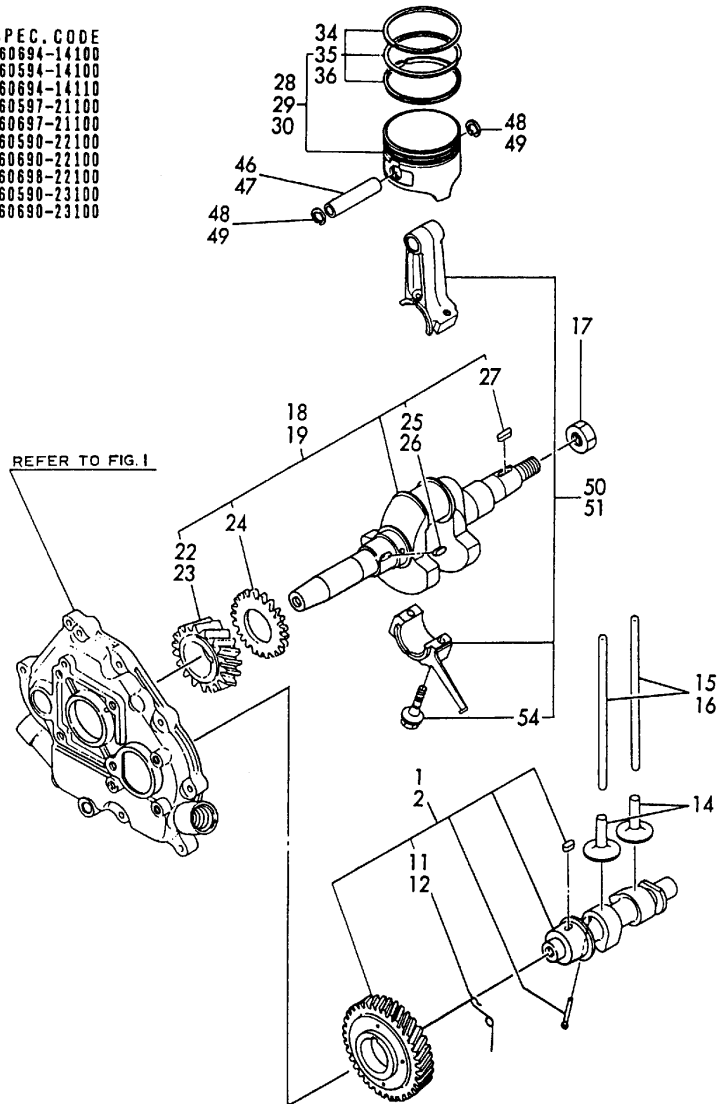
(A) THIS PART IS ALSO SOLD BY GASKET SET (FIG 13. REF NO.1,2 & 3).
 (1) SIMULTANEOUS REPLACEMENT OF THESE PARTS ARE INTERCHANGEABLE.

Fig.4. CRANKSHAFT,PISTON & CAMSHAFT

(A)=EP1200BL-51
 (B)=EP1500BL-61
 (C)=EP1700BL-51

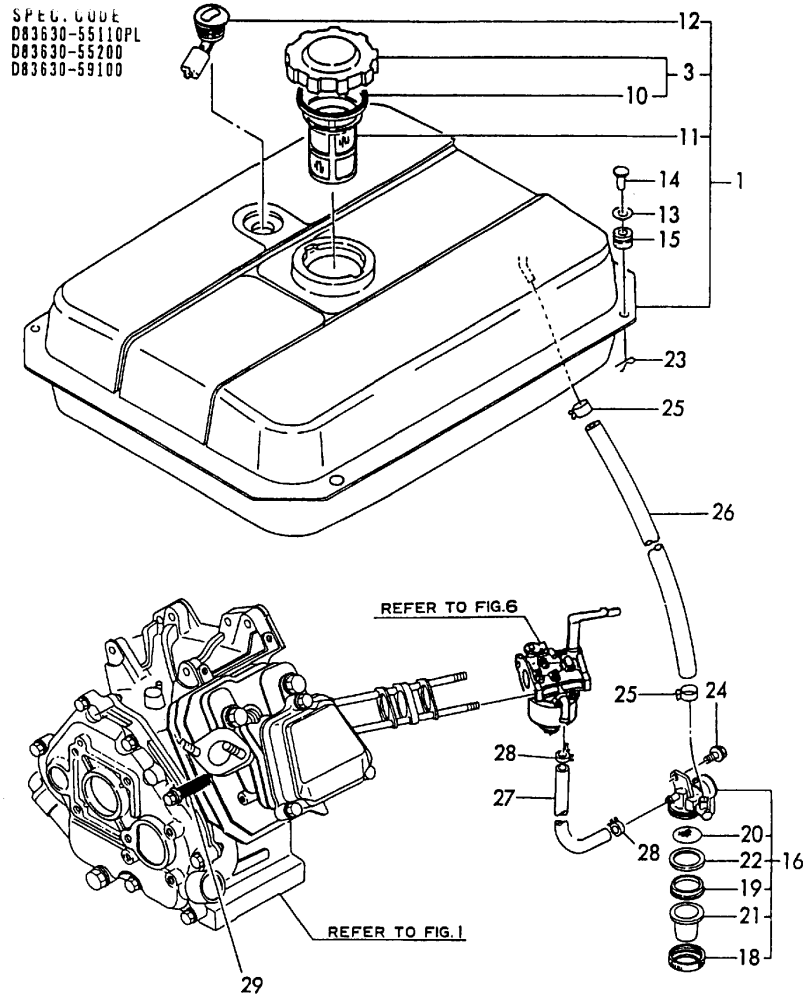
(D)=EP2000BL-61
 (E)=EP2000BL-51
 (F)=EP2500BL-61

SPEC. CODE
 D60694-14100
 D60594-14100
 D60694-14110
 D60597-21100
 D60697-21100
 D60590-22100
 D60690-22100
 D60698-22100
 D60590-23100
 D60690-23100



No.	Lev.	Parts No.	Description	Q'ty						I	R
				(A)	(B)	(C)	(D)	(E)	(F)		
1	1	160594-14050	CAMSHAFT ASSY	1	1						
2	1	160694-14050	CAMSHAFT ASSY								
11	2	160590-14570	SPRING,DECOMPRESSION	1	1						
12	2	160690-14570	SPRING,DECOMPRESSION				1	1	1	1	
14	1	160490-14200	TAPPET	2	2	2	2	2	2	2	
15	1	160590-14400	ROD, PUSH	2	2						
16	1	114250-14400	ROD, PUSH			2	2	2	2	2	
17	1	160610-04910	NUT, FLYWHEEL M14	1	1	1	1	1	1	1	
18	1	760594-21700	CRANKSHAFT ASSY	1	1						
19	1	760694-21700	CRANKSHAFT ASSY			1	1	1	1	1	
22	2	160590-21200	GEAR, CRANKSHAFT	1	1						
23	2	160690-21201	GEAR, CRANKSHAFT			1	1	1	1	1	
24	2	160590-21210	GEAR, IDLE	1	1	1	1	1	1	1	
25	2	160610-21290	KEY, 4X10	1	1						
26	2	22512-040120	KEY, 4X 12			1	1	1	1	1	
27	2	22512-040160	KEY, 4X 16	1	1	1	1	1	1	1	
28	1	160590-22011	PISTON ASSY	1	1						
29	1	160690-22011	PISTON ASSY			1	1				
30	1	160698-22010	PISTON ASSY						1	1	
34	2	760590-22501	RING SET, PISTON	1	1						
35	2	760690-22501	RING SET, PISTON			1	1				
36	2	760698-22500	RING SET, PISTON						1	1	
46	1	160590-22300	PIN, PISTON	1	1						
47	1	160690-22300	PIN, PISTON			1	1	1	1	1	
48	1	22252-000130	RING, 13	2	2						
49	1	22252-000160	RING, 16			2	2	2	2	2	
50	1	760590-23700	ROD ASSY, CONNECTING	1	1						
51	1	760690-23700	ROD ASSY, CONNECTING			1	1	1	1	1	
54	2	160710-23201	BOLT, CONNECTING ROD	2	2	2	2	2	2	2	

Fig.5. FUEL TANK & FUEL LINE



(A)=EP1200BL-51
(B)=EP1500BL-61
(C)=EP1700BL-51

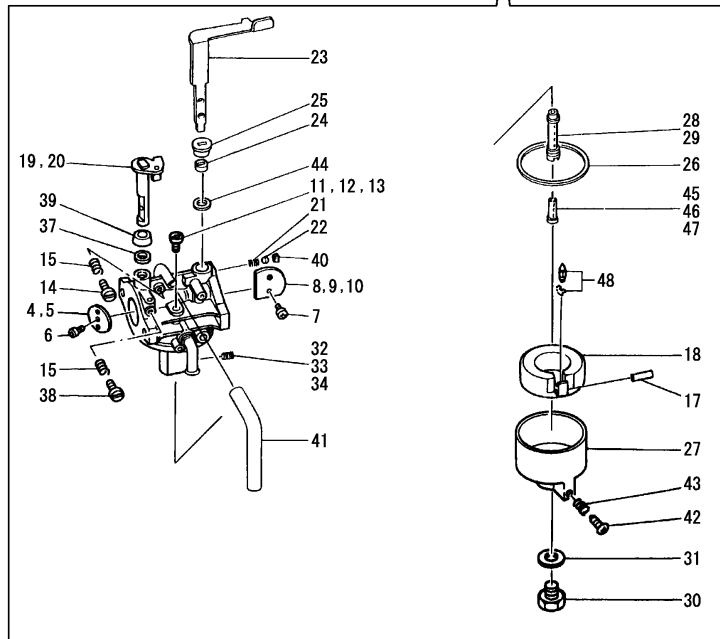
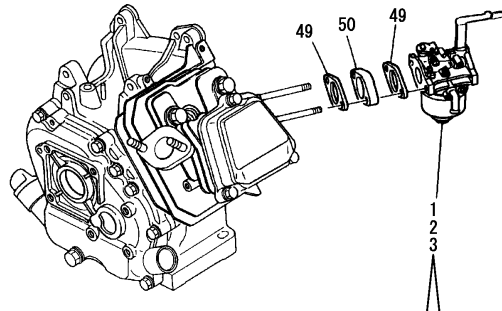
(D)=EP2000BL-61
(E)=EP2000BL-51
(F)=EP2500BL-61

No.	Lev.	Parts No.	Description	Qty						I	R
				(A)	(B)	(C)	(D)	(E)	(F)		
1	1	783731-55710-1	TANK ASSY, FUEL	1	1	1	1	1	1		
3	2	160710-55061	CAP ASSY	1	1	1	1	1	1		
10	3	160393-55050	GASKET	1	1	1	1	1	1		
11	2	160610-55100	FILTER, FUEL	1	1	1	1	1	1		
12	2	183621-55150	GAUGE	1	1	1	1	1	1		
13	1	183350-55130	WASHER	4	4	4	4	4	4		
14	1	183350-55120	PIN, 6X14	4	4	4	4	4	4		
15	1	183720-55210	GROMMET	4	4	4	4	4	4		
16	1	160710-55301	COCK ASSY, FUEL	1	1	1	1				
18	2	160710-55360	RING	1	1	1	1	1	1		
19	2	160710-55370	GASKET	1	1	1	1	1	1		
20	2	160710-55381	FILTER, FUEL	1	1	1	1	1	1		
21	2	160710-55390	CUP, FUEL COCK L37	1	1	1	1	1	1		
22	2	160692-55421	PLATE	1	1	1	1	1	1		
23	1	22360-060000	PIN, SNAP 6	4	4	4	4	4	4		
24	1	26106-060122	BOLT, M6X 12 PLATED	1	1	1	1	1	1		
25	1	106990-44660	CLIP, HOSE 12.5	2	2	2	2	2	2		
26	1	160830-59350	PIPE, FUEL	1	1	1	1	1	1		
27	1	160735-59360	PIPE, FUEL B-168	1	1	1	1	1	1		
28	1	124060-77680	CLIP, HOSE 10	2	2	2	2	2	2		
29	1	160710-78710	CLAMP, CORD	1	1	1	1	1	1		

Fig.6. CARBURETOR

(A)=EP1200BL-51
(B)=EP1500BL-61
(C)=EP1700BL-51

(D)=EP2000BL-61
(E)=EP2000BL-51
(F)=EP2500BL-61



No.	Lev.	Parts No.	Description	Q'ty						I	R
				(A)	(B)	(C)	(D)	(E)	(F)		
1	1	160597-56011	CARBURETOR ASSY	1	1						
2	1	160697-56010	CARBURETOR ASSY			1	1				
3	1	160698-56060	CARBURETOR ASSY					1	1		
3-1	1	160698-56061	CARBURETOR ASSY		(E=EXXXXX)			(F=EXXXXX)			R
3-2	1	160698-56062	CARBURETOR ASSY					1	1		N
3-3	1	160698-57020	CARBURETOR ASSY		(E=EXXXXX)			(F=EXXXXX)			N
				(E=EXXXXX)				(F=EXXXXX)			
4	2	160592-56540	VALVE, THROTTLE	1	1	1	1				
5	2	160698-56520	VALVE, THROTTLE					1	1		
6	2	160810-56670	SCREW	1	1	1	1	1	1		
7	2	160903-56670	SCREW	2	2	2	2	2	2		
8	2	160590-56530	VALVE, CHOKE	1	1						
9	2	160691-56680	VALVE, CHOKE			1	1				
10	2	160698-56530	VALVE, CHOKE					1	1		
11	2	160590-56740	JET, PILOT	1	1						
12	2	160610-56740	JET, PILOT			1	1				
13	2	160510-56740	JET, PILOT					1	1		
14	2	160692-56710	SCREW	1	1	1	1	1	1		
15	2	181230-56380	SPRING	2	2	2	2	2	2		
17	2	160610-56630	PIN, FLOAT	1	1	1	1	1	1		
18	2	160697-56620	FLOAT ASSY	1	1	1	1	1	1		
19	2	160692-56640	SHAFT, THROTTLE	1	1	1	1				
20	2	160698-56550	SHAFT, THROTTLE					1	1		
21	2	160310-56980	SPRING, CHOKE	1	1	1	1	1	1		
22	2	160310-56990	BALL, STEEL	1	1	1	1	1	1		
23	2	160697-56650	LEVER, CHOKE	1	1	1	1	1	1		
24	2	160810-56580	RING, CHOKE SHAFT	1	1	1	1	1	1		
25	2	160810-56590	RING, CHOKE LEVER	1	1	1	1	1	1		
26	2	160610-56610	GASKET	1	1	1	1	1	1		
27	2	160769-56640	BODY, FLOAT CHAMBER	1	1	1	1	1	1		
28	2	160590-56671	NOZZLE, MAIN	1	1	1	1				
29	2	160698-56570	NOZZLE, MAIN					1	1		
30	2	160769-56660	BOLT	1	1	1	1	1	1		
31	2	160610-56611	GASKET	1	1	1	1	1	1		
32	2	160590-56771	JET, MAIN	1	1						
33	2	160690-56800	JET, ENRICHMENT			1	1				
34	2	160692-56780	JET, ENRICHMENT					1	1		
37	2	160640-56850	SEAL	1	1	1	1	1	1		
38	2	160667-56750	ADJUSTER	1	1	1	1	1	1		
39	2	160702-56720	RING	1	1	1	1	1	1		
40	2	160692-56700	PLUG	1	1	1	1	1	1		
41	2	160692-56770	HOSE	1	1	1	1	1	1		
42	2	160610-56900	SCREW	1	1	1	1	1	1		
43	2	181230-56380	SPRING	1	1	1	1	1	1		
44	2	160692-56800	RUBBER, SEAL	1	1	1	1	1	1		
45	2	160590-56801	NOZZLE, MAIN	1	1						
46	2	160690-56750	NOZZLE, MAIN			1	1				
47	2	160698-56590	NOZZLE, MAIN					1	1		
48	2	160692-56560	VALVE ASSY, NEEDLE	1	1	1	1	1	1	1	1

Remarks

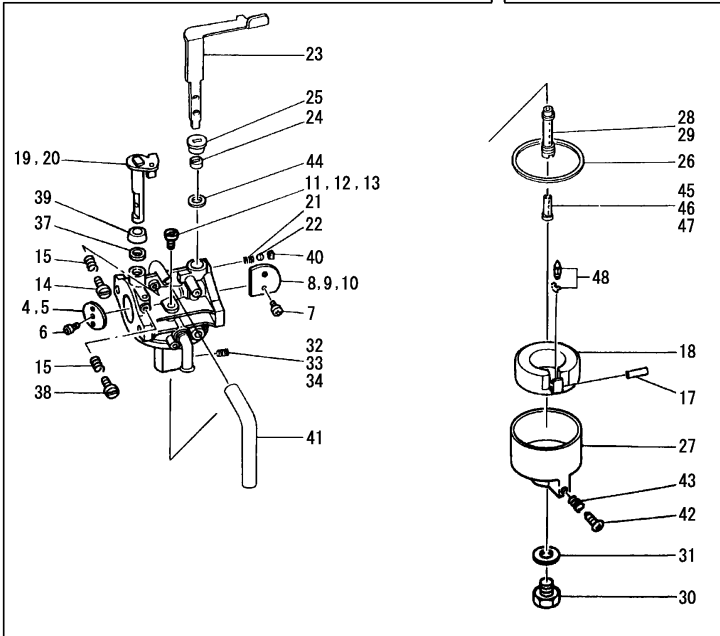
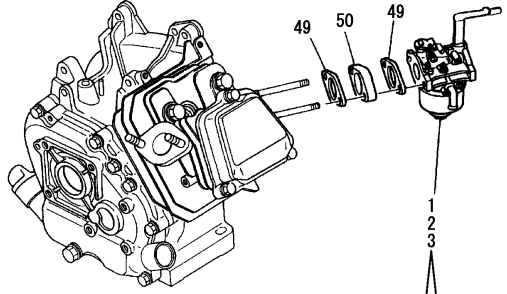
- (1) REPAIR PART.
- (A) This part is also sold by GASKET SET (FIG 13. REF NO.1,2 & 3).

Fig.6. CARBURETOR

(A)=EP1200BL-51
 (B)=EP1500BL-61
 (C)=EP1700BL-51

(D)=EP2000BL-61
 (E)=EP2000BL-51
 (F)=EP2500BL-61

No.	Lev.	Parts No.	Description	Q'ty						I	R
				(A)	(B)	(C)	(D)	(E)	(F)		
49	1	160610-56150	GASKET, CARBURETOR	2	2	2	2	2	2	A	
50	1	160690-56160	SPACER, CARBURETOR	1	1	1	1	1	1		



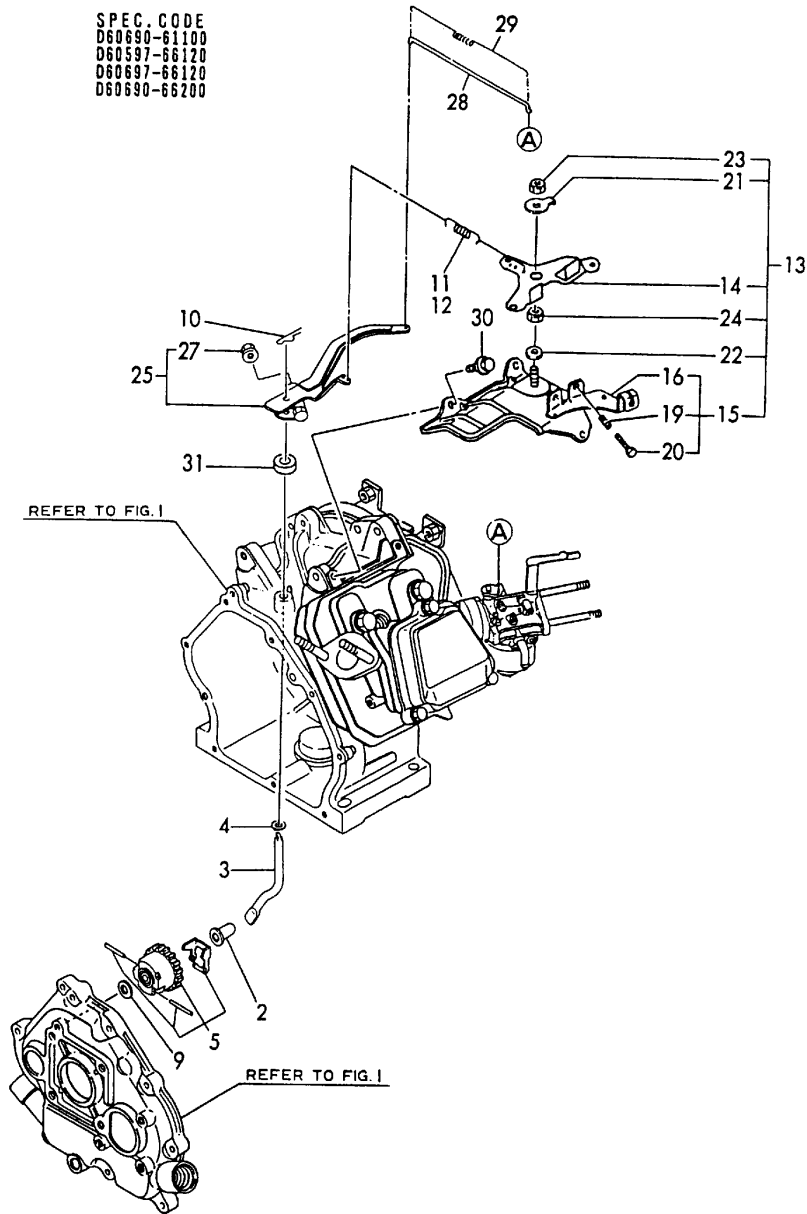
Remarks
 (1) REPAIR PART.
 (A) This part is also sold by GASKET SET (FIG 13. REF NO.1,2 & 3).

Fig.7. GOVERNOR & CONTROL DEVICE

(A)=EP1200BL-51
 (B)=EP1500BL-61
 (C)=EP1700BL-51

(D)=EP2000BL-61
 (E)=EP2000BL-51
 (F)=EP2500BL-61

SPEC. CODE
 D60690-61100
 D60597-66120
 D60697-66120
 D60690-66200

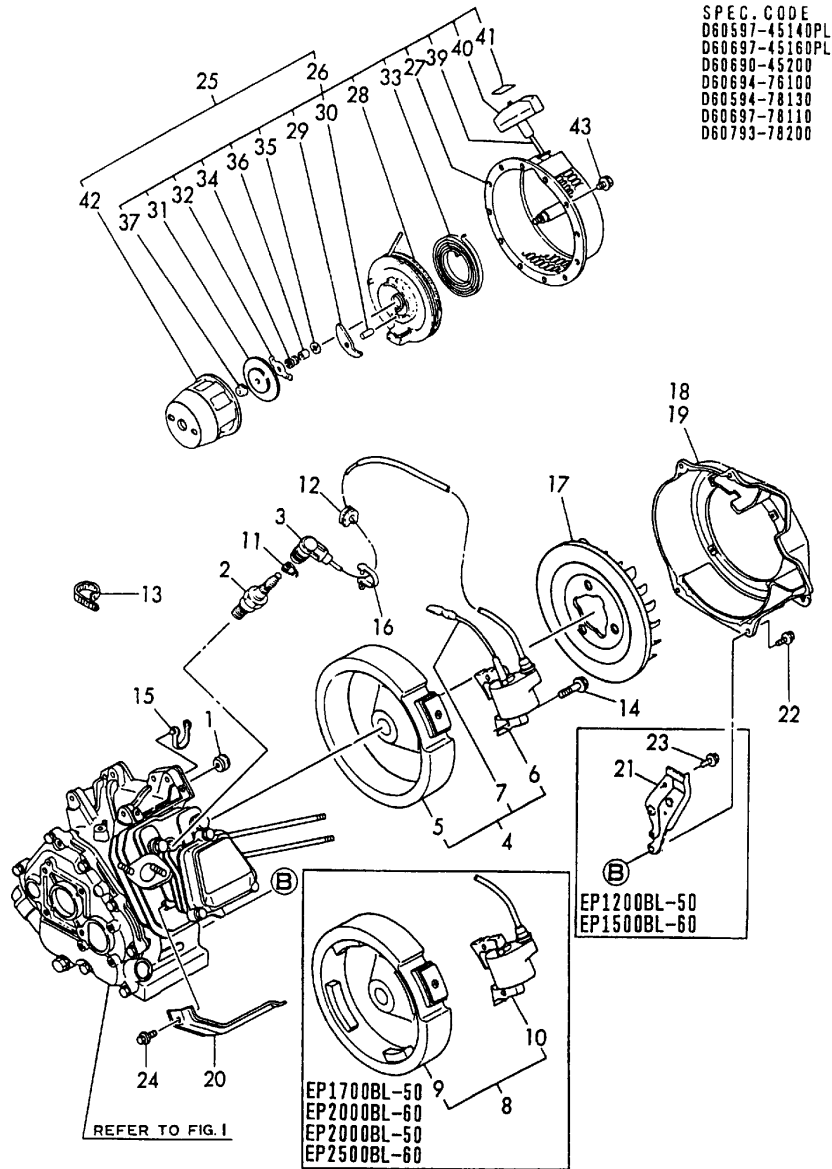


No.	Lev.	Parts No.	Description	Q'ty						I	R
				(A)	(B)	(C)	(D)	(E)	(F)		
2	1	160690-61300	SPINDLE	1	1	1	1	1	1		
3	1	160690-61310	SHAFT	1	1	1	1	1	1		
4	1	160690-61450	WASHER	1	1	1	1	1	1		
5	1	160690-61600	GEAR ASSY, GOVERNOR	1	1	1	1	1	1		
9	1	160120-76940	WASHER	1	1	1	1	1	1		
10	1	22372-080000	PIN, SNAP 8	1	1	1	1	1	1		
11	1	160594-66011	SPRING, GOVERNOR	1	1						
12	1	160697-66010	SPRING, GOVERNOR			1	1	1	1		
13	1	160597-66100	CONTROLLER ASSY	1	1	1	1	1	1		
14	2	160692-66062	LEVER, CONTROL	1	1	1	1	1	1		
15	2	160690-66111	BASE ASSY	1	1	1	1	1	1		
16	3	160690-66143	BASE ASSY	1	1	1	1	1	1		
19	3	160520-66291	SPRING	1	1	1	1	1	1		
20	3	26117-040257	BOLT, M4X 25 PLATED	1	1	1	1	1	1		
21	2	160690-66160	WASHER	1	1	1	1	1	1		
22	2	22137-080000	WASHER, 8	1	1	1	1	1	1		
23	2	26347-060002	NUT, M6	1	1	1	1	1	1		
24	2	26757-060002	NUT, LOCK M6	1	1	1	1	1	1		
25	1	160690-66180	LEVER ASSY, GOVERNOR	1	1	1	1	1	1		
27	2	26366-060002	NUT, M6	1	1	1	1	1	1		
28	1	160690-66200	LINK, THROTTLE	1	1	1	1	1	1		
29	1	160690-66210	SPRING, TENSION	1	1	1	1	1	1		
30	1	26476-060142	SCREW, TAPPING M6X14	3	3	3	3	3	3		
31	1	114770-61600	SEAL, OIL	1	1	1	1	1	1		

Fig.8. MAGNETO & STARTING DEVICE

(A)=EP1200BL-51
(B)=EP1500BL-61
(C)=EP1700BL-51

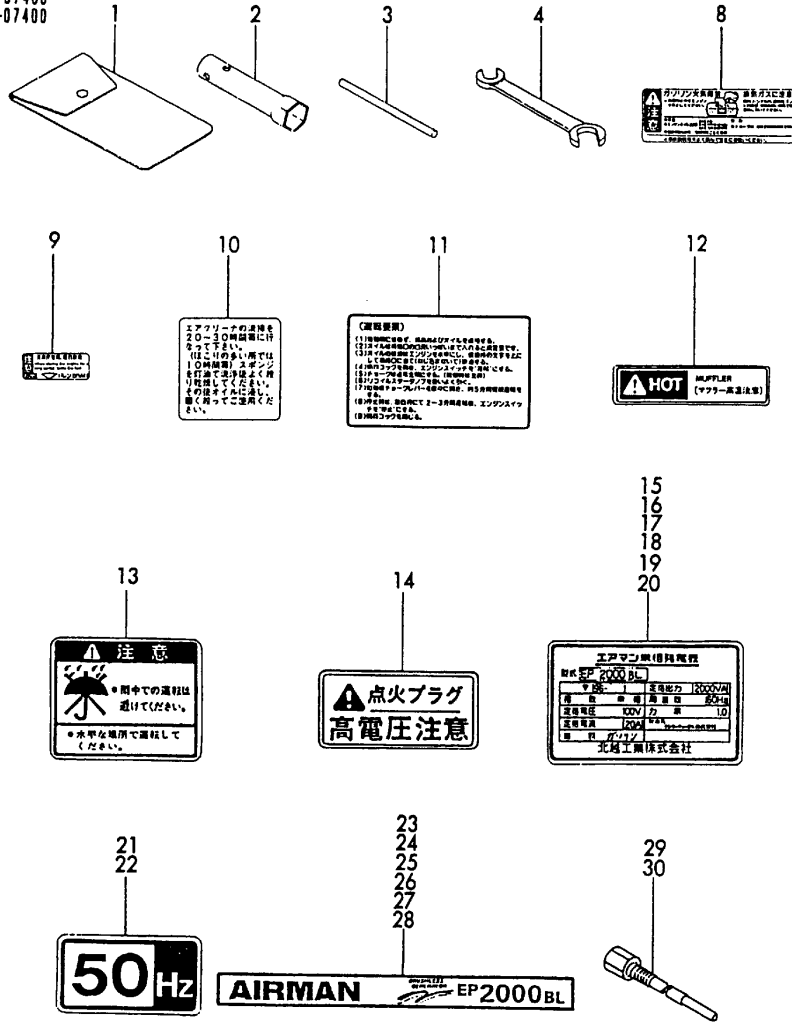
(D)=EP2000BL-61
(E)=EP2000BL-51
(F)=EP2500BL-61



No.	Lev.	Parts No.	Description	Q'ty						I	R
				(A)	(B)	(C)	(D)	(E)	(F)		
1	1	160341-01950	PIPE	1	1	1	1	1	1		
2	1	160793-78010	PLUG, SPARK	1	1	1	1	1	1		
3	1	160700-78040	CAP, PLUG	1	1	1	1	1	1		
4	1	160594-78051	MAGNETIC ASSY	1	1						
5	2	160594-78500	ROTOR	1	1						
6	2	160594-78531	COIL, IGNITION	1	1						
7	3	160690-78230	WIRE	1	1						
8	1	160694-78051	MAGNETIC ASSY			1	1	1	1		
9	2	160694-78500	ROTOR			1	1	1	1		
10	2	160694-78530	COIL, IGNITION			1	1	1	1		
11	1	160700-78050	TERMINAL, PLUG	1	1	1	1	1	1		
12	1	160700-78720	GROMMET	1	1	1	1	1	1		
13	1	160370-78950	BAND, L=98	1	1	1	1	1	1		
14	1	26476-060302	SCREW, TAPPING M6X30	2	2	2	2	2	2		
15	1	29610-000650	CLAMP, SPEED 065	1	1	1	1	1	1		
16	1	29610-000950	CLAMP, SPEED 095	1	1	1	1	1	1		
17	1	160694-45010	FAN, COOLING	1	1	1	1	1	1		
18	1	160597-45120-2	CASE, COOLING FAN	1	1						
19	1	160697-45130-2	CASE, COOLING FAN			1	1	1	1		
20	1	160690-45200	COVER	1	1	1	1	1	1		
21	1	160590-45211	COVER	1	1						
22	1	26476-060122	SCREW, TAPPING M6X12	4	4	4	4	4	4		
23	1	26476-060122	SCREW, TAPPING M6X12	1	1						
24	1	26476-060142	SCREW, TAPPING M6X14	1	1	1	1	1	1		
25	1	160694-76050	STARTER ASSY, RECOIL	1	1	1	1	1	1		
26	2	160694-76250	STARTER ASSY, RECOIL	1	1	1	1	1	1		
27	3	160694-76510	CASE, STARTER	1	1	1	1	1	1		
28	3	160690-76520	REEL	1	1	1	1	1	1		
29	3	160690-76800	RATCHET	1	1	1	1	1	1		
30	3	160690-76810	PIN, RATCHET	1	1	1	1	1	1		
31	3	160690-76580	PLATE, FRICTION	1	1	1	1	1	1		
32	3	160690-76530	GUIDE, RATCHET	1	1	1	1	1	1		
33	3	160690-76540	SPRING, SPIRAL	1	1	1	1	1	1		
34	3	160690-76560	SPRING, FRICTION	1	1	1	1	1	1		
35	3	160690-76550	WASHER, THRUST	1	1	1	1	1	1		
36	3	160690-76820	SHAFT	1	1	1	1	1	1		
37	3	26367-060002	NUT, M6	1	1	1	1	1	1		
39	3	160690-76630	ROPE, STARTER	1	1	1	1	1	1		
40	3	160690-76620	KNOB, STARTER	1	1	1	1	1	1		
41	3	160690-76830	CAP, KNOB	1	1	1	1	1	1		
42	2	160690-76590	PULLEY, STARTER	1	1	1	1	1	1		
43	1	26106-060082	BOLT, M6X 8 PLATED	4	4	4	4	4	4		

Fig.9. TOOL & LABEL

SPEC. CODE
 D83434-07400
 D83634-07400
 D83734-07400
 D60610-92100
 D83644-07400
 D83444-07400
 D83744-07400



(A)=EP1200BL-51
 (B)=EP1500BL-61
 (C)=EP1700BL-51

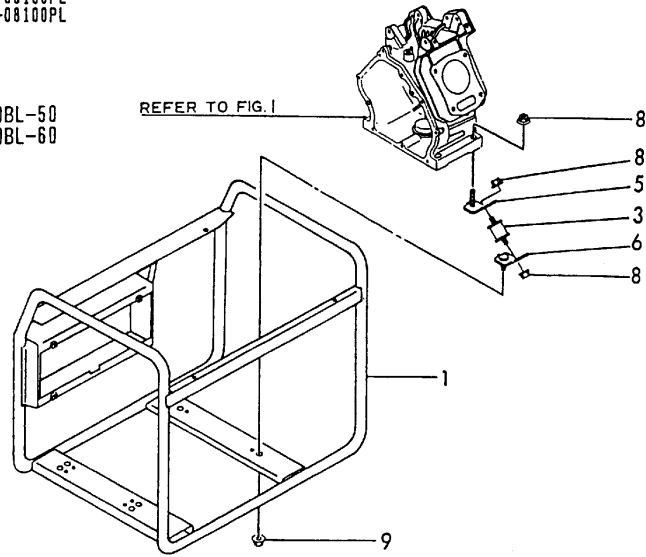
(D)=EP2000BL-61
 (E)=EP2000BL-51
 (F)=EP2500BL-61

No.	Lev.	Parts No.	Description	Q'ty						I	R
				(A)	(B)	(C)	(D)	(E)	(F)		
1	1	160110-92610	BAG, TOOL	1	1	1	1	1	1		
2	1	160120-92700	WRENCH, 21 L86	1	1	1	1	1	1		
3	1	160110-92710	HANDLE, WRENCH	1	1	1	1	1	1		
4	1	28110-100120	SPANNER, 10X12	1	1	1	1	1	1		
8	1	183634-07300	LABEL, CAUTION	1	1	1	1	1	1		
9	1	160520-07271	LABEL, DRAIN	1	1	1	1	1	1		
10	1	160520-07370	LABEL, CLEANER	1	1	1	1	1	1		
11	1	183730-07220	LABEL, OPERATION	1	1	1	1	1	1		
12	1	170001-07230	LABEL, MUFFLER CAUTION	1	1	1	1	1	1		
13	1	183210-07400	LABEL, RAIN CAUTION	1	1	1	1	1	1		
14	1	183210-07410	LABEL, PLUG	1	1	1	1	1	1		
15	1	183630-07520	LABEL (GENERATOR	1							
16	1	183640-07520	LABEL (GENERATOR		1						
17	1	183730-07520	LABEL (GENERATOR			1					
18	1	183740-07520	LABEL (GENERATOR				1				
19	1	183731-07520	LABEL (GENERATOR					1			
20	1	183741-07520	LABEL (GENERATOR						1		
21	1	183610-07230	LABEL, 50HZ	1		1		1			
22	1	183620-07230	LABEL, 60HZ		1		1		1		
23	1	183634-07750	LABEL	1							
24	1	183644-07750	LABEL		1						
25	1	183434-07750	LABEL			1					
26	1	183444-07750	LABEL				1				
27	1	183444-07750	LABEL					1			
28	1	183744-07750	LABEL						1		
29	1	183262-92350	TOOL, ROTOR REMOVER			1	1				
30	1	183782-92350	TOOL, ROTOR REMOVER					1	1		

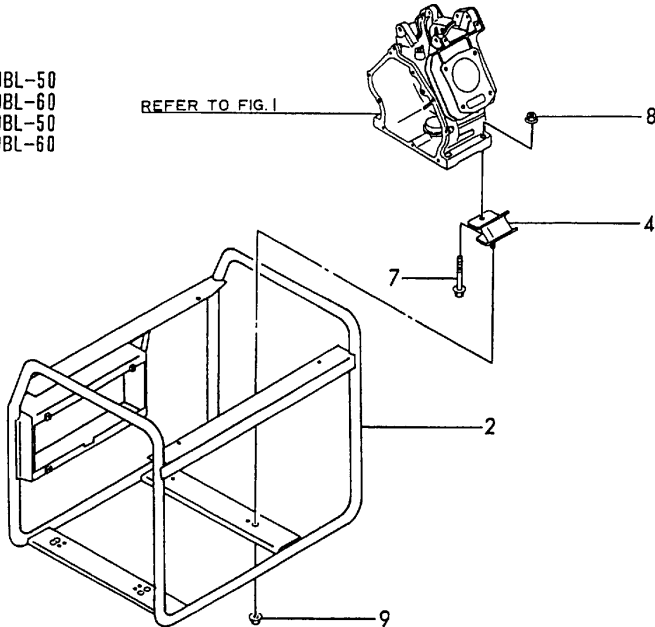
Fig.10. FRAME

SPEC. CODE
D83434-08100PL
D83634-08100PL

EP1200BL-50
EP1500BL-60



EP1700BL-50
EP2000BL-60
EP2000BL-50
EP2500BL-60



(A)=EP1200BL-51
(B)=EP1500BL-61
(C)=EP1700BL-51

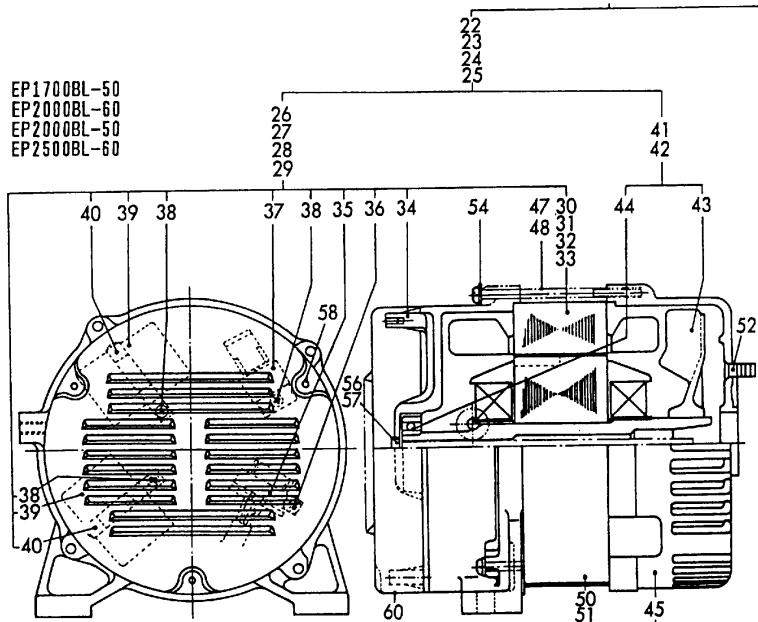
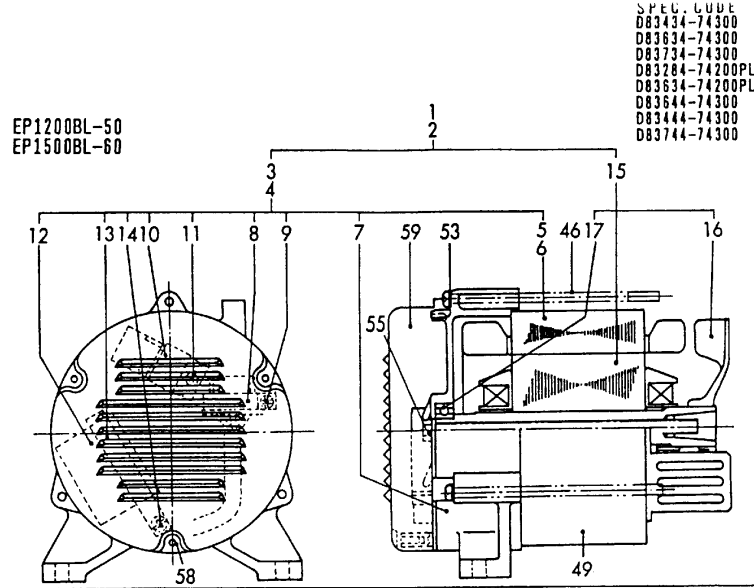
(D)=EP2000BL-61
(E)=EP2000BL-51
(F)=EP2500BL-61

No.	Lev.	Parts No.	Description	Q'ty						I	R
				(A)	(B)	(C)	(D)	(E)	(F)		
1	1	183634-08010-1	FRAME	1	1						
2	1	183434-08010-1	FRAME			1	1	1	1		
3	1	183630-08210	DAMPER	4	4						
4	1	183730-08210	DAMPER			4	4	4	4		
5	1	183630-08550	STAY, DAMPER	4	4						
6	1	183630-08560	STAY, DAMPER	4	4						
7	1	26106-080382	BOLT, M8X 38 PLATED			4	4	4	4		
8	1	26366-080002	NUT, M8	12	12	4	4	4	4		
9	1	26376-100002	NUT, M10	4	4	4	4	4	4		

Fig.11. GENERATOR

(A)=EP1200BL-51
(B)=EP1500BL-61
(C)=EP1700BL-51

(D)=EP2000BL-61
(E)=EP2000BL-51
(F)=EP2500BL-61

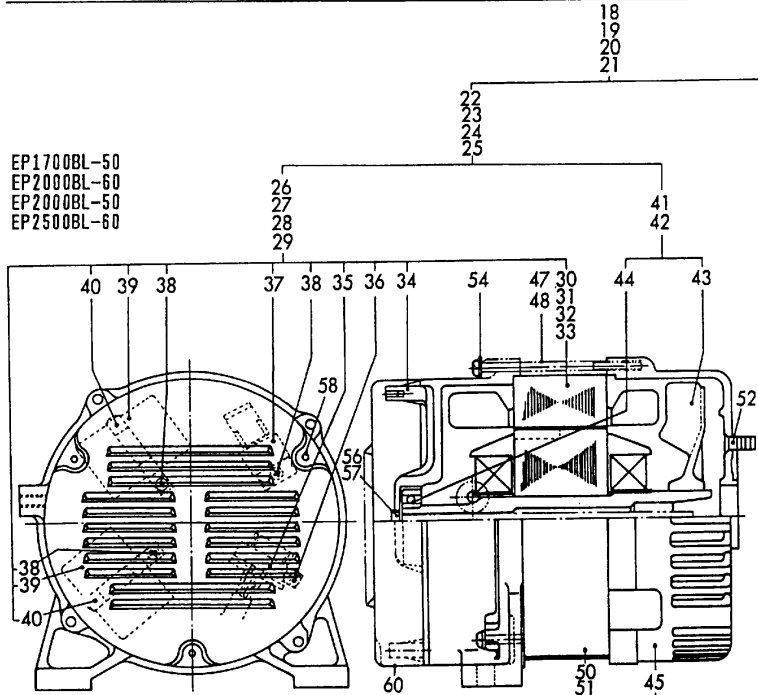
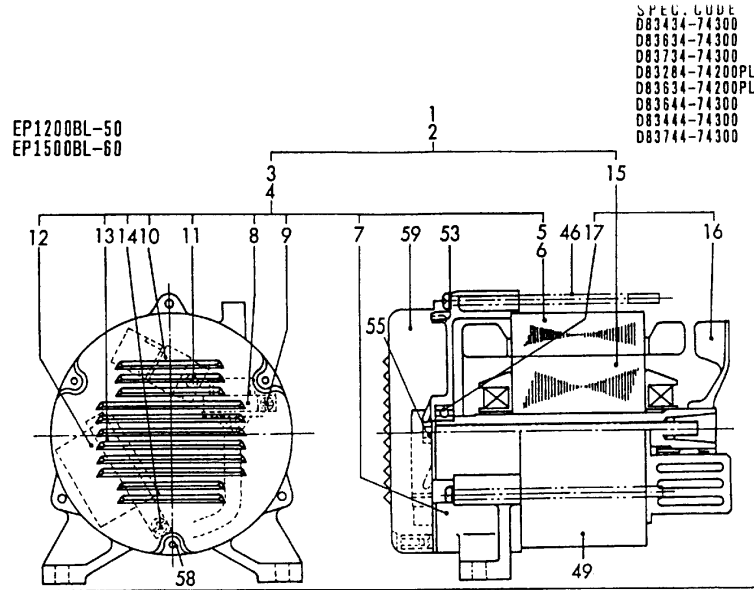


No.	Lev.	Parts No.	Description	Q'ty						I	R
				(A)	(B)	(C)	(D)	(E)	(F)		
1	1	183634-74050	GENERATOR, 1.5KVA	1							
2	1	183644-74050	GENERATOR, 1.5KVA		1						
3	2	183630-74220	STATOR ASSY	1							
4	2	183640-74200	STATOR ASSY		1						
5	3	183630-74310	STATOR	1							
6	3	183640-74290	STATOR		1						
7	3	183640-74250	COVER, REAR	1	1						
8	3	183640-74310	CLAMP	1	1						
9	3	183640-74320	SCREW	1	1						
10	3	183640-74470	RECTIFIER	1	1						
11	3	183640-74480	SCREW	1	1						
12	3	183640-74170	CONDENSER	1	1						
13	3	183640-74180	CLAMP	1	1						
14	3	183640-74190	SCREW	2	2						
15	2	183640-74350	ROTOR ASSY	1	1						
16	3	183640-74360	FAN	1	1						
17	3	183640-74370	BEARING	1	1						
18	1	183434-74500	GENERATOR, 2.0KVA			1					
19	1	183444-74500	GENERATOR, 2.0KVA				1				
20	1	183734-74500	GENERATOR, 2.5KVA					1			
21	1	183744-74500	GENERATOR, 2.5KVA						1		
22	2	183284-74050	GENERATOR, 2.0KVA 50			1					
23	2	183288-74050	GENERATOR, 2.0KVA 60				1				
24	2	183784-74050	GENERATOR, 2.5KVA					1			
25	2	183788-74050	GENERATOR						1		
26	3	183730-74200	STATOR ASSY			1					
27	3	183740-74200	STATOR ASSY				1				
28	3	183731-74230	STATOR ASSY					1			
29	3	183741-74210	STATOR ASSY						1		
30	4	183730-74290	STATOR			1					
31	4	183740-74290	STATOR				1				
32	4	183731-74320	STATOR					1			
33	4	183741-74300	STATOR						1		
34	4	183740-74250	COVER, REAR		1	1	1	1			
35	4	183740-74310	CLAMP		1	1	1	1			
36	4	183350-74380	SCREW, M4X14		1	1	1	1			
37	4	183294-74080	RECTIFIER, ROTOR		1	1	1	1			
38	4	183620-74310	SCREW M 5X10		3	3	3	3			
39	4	183740-74170	CONDENSER		2	2	2	2			
40	4	183740-74180	CLAMP		2	2	2	2			
41	3	183741-74351	ROTOR ASSY		1	1					
42	3	183740-74351	ROTOR ASSY					1	1		
43	4	183740-74360	FAN		1	1	1	1			
44	4	183740-74370	BEARING		1	1	1	1			
45	2	183840-74150	COVER, FRONT		1	1	1	1			
46	1	183250-74410	SCREW, M6		3	3					
47	1	183262-74410	BOLT, THROUGH M6X90			4	4				
48	1	183452-74410	BOLT, THROUGH M6X100					4	4		
49	1	183634-74750	BAND, GENERATOR		1	1					
50	1	183730-74750	BAND, GENERATOR			1	1				
51	1	183731-74750	BAND, GENERATOR					1	1		

Fig.11. GENERATOR

(A)=EP1200BL-51
 (B)=EP1500BL-61
 (C)=EP1700BL-51

(D)=EP2000BL-61
 (E)=EP2000BL-51
 (F)=EP2500BL-61

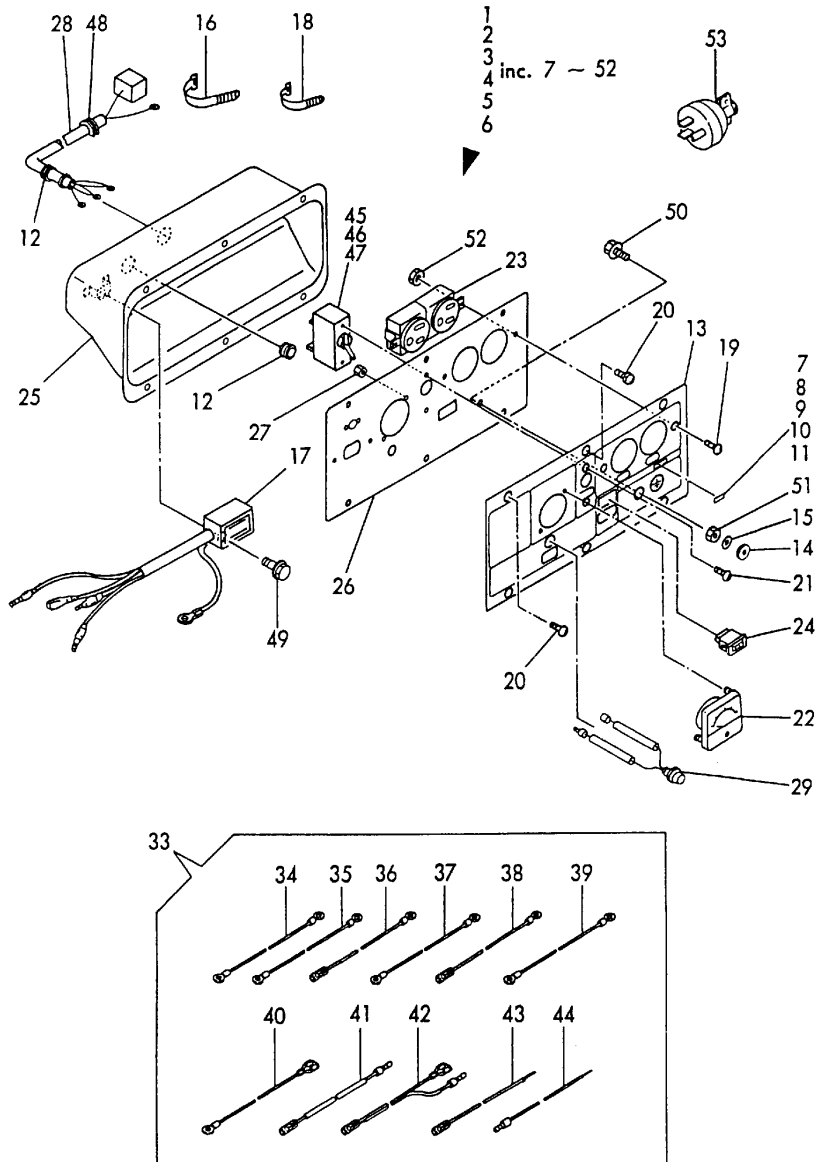


No.	Lev.	Parts No.	Description	Q'ty						I	R
				(A)	(B)	(C)	(D)	(E)	(F)		
52	1	183730-74950	SCREW, M8X18			4	4	4	4		
53	1	22217-060000	WASHER, SPRING 6	3	3	4	4	4	4		
54	1	22217-080000	WASHER, SPRING 8	1	1	1	1	1	1		
55	1	26116-081702	BOLT, M8X170 PLATED	1	1						
56	1	26116-081902	BOLT, M8X190 PLATED			1	1				
57	1	26116-082002	BOLT, M8X200 PLATED							1	1
58	1	26557-040082	SCREW, M4X 8	3	3	3	3	3	3		
59	1	183634-74400-1	COVER	1	1						
60	1	183284-74400-1	COVER			1	1	1	1		

Fig.12. PANEL

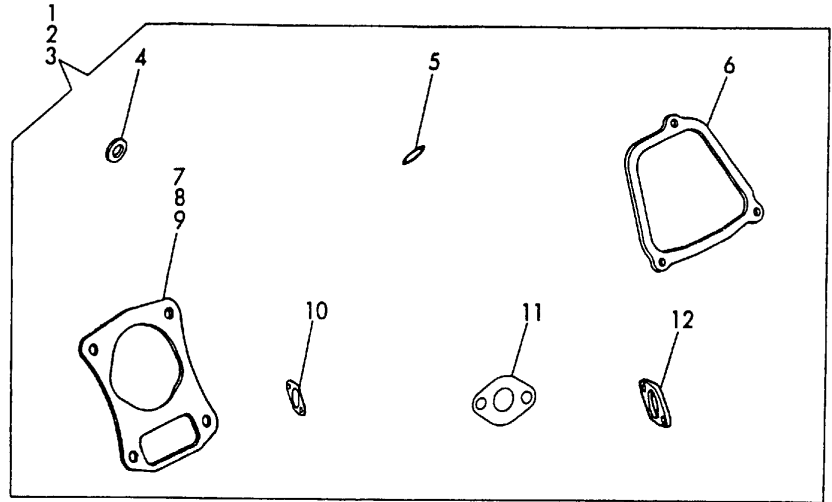
(A)=EP1200BL-51
 (B)=EP1500BL-61
 (C)=EP1700BL-51

(D)=EP2000BL-61
 (E)=EP2000BL-51
 (F)=EP2500BL-61



No.	Lev.	Parts No.	Description	Q'ty						I	R
				(A)	(B)	(C)	(D)	(E)	(F)		
1	1	183634-91051	BOX ASSY, PANEL	1							
2	1	183644-91050	BOX ASSY, PANEL		1						
3	1	183434-91051	BOX ASSY, PANEL			1					
4	1	183444-91050	BOX ASSY, PANEL				1				
5	1	183734-91051	BOX ASSY, PANEL					1			
6	1	183744-91050	BOX ASSY, PANEL							1	
7	2	183634-07400	LABEL, AMPERE	1							
8	2	183644-07400	LABEL, AMPERE		1						
9	2	183284-07410	LABEL, AMPERE			1					
10	2	183284-07400	LABEL, AMPERE				1	1			
11	2	183784-07400	LABEL, AMPERE							1	
12	2	29311-122000	GROMMET, 12.0X2	2	2	2	2	2	2	2	
13	2	183634-07800	LABEL, PANEL	1	1	1	1	1	1	1	
14	2	183210-08810	NUT	1	1	1	1	1	1	1	
15	2	183350-55130	WASHER	1	1	1	1	1	1	1	
16	2	121750-59890	BAND, 140	1	1	1	1	1	1	1	
17	2	160770-78830	SENSOR	1	1	1	1	1	1	1	
18	2	160370-78950	BAND, L=98	1	1	1	1	1	1	1	
19	2	183976-91080	SCREW, M4X10	2	2	2	2	2	2	2	
20	2	183896-91090	SCREW, M5X10	6	6	6	6	6	6	6	
21	2	183976-91090	SCREW, M3X5	2	2	2	2	2	2	2	
22	2	183730-91210	REGULATOR, VOLTAGE	1	1	1	1	1	1	1	
23	2	183920-91320	SOCKET, 125VX2	1	1	1	1	1	1	1	
24	2	183730-91450	SWITCH, STOP	1	1	1	1	1	1	1	
25	2	183634-91850	BOX, PANEL	1	1	1	1	1	1	1	
26	2	183634-91900	BOARD, PANEL	1	1	1	1	1	1	1	
27	2	183925-91990	NUT, LOCK	2	2	2	2	2	2	2	
28	2	183634-95500	HARNESS, WIRE	1	1	1	1	1	1	1	
29	2	183732-95500	ALERT ASSY	1	1	1	1	1	1	1	
33	2	183634-95810	HARNESS ASSY, WIRE	1	1	1	1	1	1	1	
34	3	183888-95250	HARNESS, WIRE	1	1	1	1	1	1	1	
35	3	183284-95620	HARNESS, WIRE	2	2	2	2	2	2	2	
36	3	183284-95670	HARNESS, WIRE	1	1	1	1	1	1	1	
37	3	183284-95820	HARNESS, WIRE	1	1	1	1	1	1	1	
38	3	183284-95830	HARNESS, WIRE	1	1	1	1	1	1	1	
39	3	183634-95830	HARNESS, WIRE	1	1	1	1	1	1	1	
40	3	183634-95860	HARNESS, WIRE	1	1	1	1	1	1	1	
41	3	183634-95870	HARNESS, WIRE	1	1	1	1	1	1	1	
42	3	183634-95880	HARNESS, WIRE	1	1	1	1	1	1	1	
43	3	183634-95890	HARNESS, WIRE	1	1	1	1	1	1	1	
44	3	183634-95900	HARNESS, WIRE	1	1	1	1	1	1	1	
45	2	183360-91290	AC BREAKER (15A)	1	1						
46	2	183000-96540	BREAKER, AC 20A			1	1				
47	2	183000-96550	BREAKER, AC 25A					1	1		
48	2	183625-98040	GROMMET	1	1	1	1	1	1	1	
49	2	26106-060122	BOLT, M6X 12 PLATED	1	1	1	1	1	1	1	
50	2	26113-060162	BOLT, M6X 16	1	1	1	1	1	1	1	
51	2	26753-060002	NUT, LOCK M6	1	1	1	1	1	1	1	
52	2	26756-040002	NUT, LOCK M4	2	2	2	2	2	2	2	
53	1	183720-91750	PLUG, 125VX15A	2	2	2	2	2	2	2	

Fig.13. GASKET SET(OPTIONAL)



(A)=EP1200BL-51
(B)=EP1500BL-61
(C)=EP1700BL-51

(D)=EP2000BL-61
(E)=EP2000BL-51
(F)=EP2500BL-61

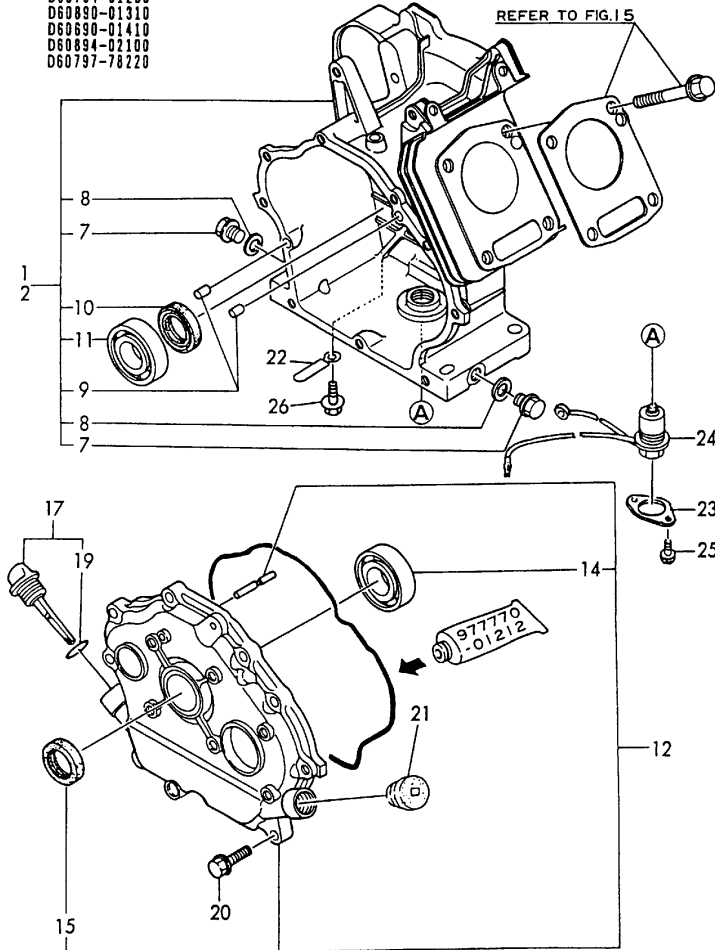
No.	Lev.	Parts No.	Description	Q'ty						I	R
				(A)	(B)	(C)	(D)	(E)	(F)		
1	1	760590-92600	GASKET SET	1	1						
2	1	760690-92600	GASKET SET			1	1				
3	1	760698-92600	GASKET SET					1	1		
4	2	104200-59170	GASKET, 12	2	2	2	2	2	2		
5	2	24311-000180	O-RING, 1AP18.0	1	1	1	1	1	1		
6	2	160690-11310	GASKET, BONNET	1	1	1	1	1	1		
7	2	160590-01330	GASKET, HEAD	1	1						
8	2	160690-01330	GASKET, HEAD			1	1				
9	2	160698-01330	GASKET, HEAD						1	1	
10	2	160610-56150	GASKET, CARBURETOR	1	1	1	1	1	1		
11	2	160690-13200	GASKET, MUFFLER	1	1	1	1	1	1		
12	2	160610-56150	GASKET, CARBURETOR	2	2	2	2	2	2		

Fig.14. CYLINDER BLOCK

(A)=EP2500BL-51
 (B)=EP3000BL-61
 (C)=EP3000BL-51

(D)=EP3500BL-61
 (E)=EP2000BL-51
 (F)=EP2500BL-61

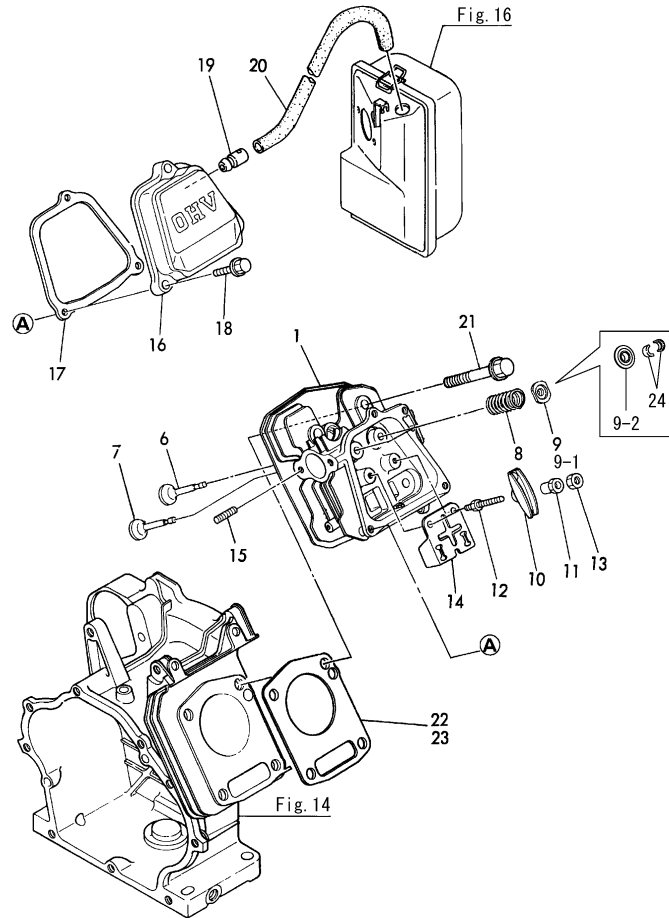
SPEC. CODE
 D60797-01130
 D60798-01240
 D60794-01200
 D60890-01310
 D60890-01410
 D60894-02100
 D60797-78220



No.	Lev.	Parts No.	Description	Q'ty						I	R
				(A)	(B)	(C)	(D)	(E)	(F)		
1	1	760797-01560	BLOCK ASSY, CYLINDER	1	1						
2	1	760797-01580	BLOCK ASSY, CYLINDER				1	1			
7	2	160610-01690	PLUG, M12	2	2	2	2				
8	2	104200-59170	GASKET, 12	2	2	2	2				A
9	2	22312-080120	PIN, PARALLEL M8X12	2	2	2	2				
10	2	160110-02220	SEAL, OIL	1	1	1	1				
11	2	24101-062060	BEARING, BALL 6206C3	1	1	1	1				
12	1	760994-01500	COVER ASSY	1	1	1	1				
14	2	24101-062060	BEARING, BALL 6206C3	1	1	1	1				
15	2	160110-02220	SEAL, OIL	1	1	1	1				
17	1	160810-01740	CAP ASSY	1	1	1	1				
19	2	24311-000180	O-RING, 1AP18.0	1	1	1	1				A
20	1	26106-080302	BOLT, M8X 30 PLATED	9	9	9	9				
21	1	160110-01870	PLUG, RUBBER	1	1	1	1				
22	1	160710-78710	CLAMP, CORD	1	1	1	1				
23	1	160797-78800	COVER	1	1	1	1				
24	1	160797-78810	SENSOR	1	1	1	1				
25	1	26023-040082	SCREW, M4X 8	2	2	2	2				
26	1	26476-060142	SCREW, TAPPING M6X14	1	1	1	1				

Remarks
 (A) THIS PART IS ALSO SOLD BY GASKET SET (FIG 26. REF NO. 1 & 2).

Fig.15. CYLINDER HEAD & BONNET



(A)=EP2500BL-51
(B)=EP3000BL-61
(C)=EP3000BL-51

(D)=EP3500BL-61
(E)=EP2000BL-51
(F)=EP2500BL-61

No.	Lev.	Parts No.	Description	Q'ty						I	R
				(A)	(B)	(C)	(D)	(E)	(F)		
1	1	160790-11010	HEAD ASSY, CYLINDER	1	1	1	1				
6	1	160790-11100	VALVE, INTAKE	1	1	1	1				
6-1	1	160790-11101	VALVE, INTAKE	1	1	1	1				F 3
		(A=EZZZZZ) (B=EZZZZZ) (C=EZZZZZ) (D=EZZZZZ)									
7	1	160790-11110	VALVE, EXHAUST	1	1	1	1				
7-1	1	160790-11111	VALVE, EXHAUST	1	1	1	1				F 3
		(A=EZZZZZ) (B=EZZZZZ) (C=EZZZZZ) (D=EZZZZZ)									
8	1	160890-11120	SPRING, VALVE	2	2	2	2				
9	1	160810-11180	RETAINER, SPRING	2	2	2	2				
9-1	1	160890-11180	RETAINER, SPRING	2	2	2	2				F 2
		(A=EZZZZZ) (B=EZZZZZ) (C=EZZZZZ) (D=EZZZZZ)									
9-2	1	160890-11190	RETAINER, SPRING	2	2	2	2				F 3
		(A=EZZZZZ) (B=EZZZZZ) (C=EZZZZZ) (D=EZZZZZ)									
10	1	160890-11200	ARM, ROCKER	2	2	2	2				
10-1	1	160890-11202	ARM, ROCKER	2	2	2	2				F 2
		(A=EZZZZZ) (B=EZZZZZ) (C=EZZZZZ) (D=EZZZZZ)									
11	1	160690-11220	PIVOT, ROCKER ARM	2	2	2	2				
11-1	1	160690-11221	PIVOT, ROCKER ARM	2	2	2	2				F 2
		(A=EZZZZZ) (B=EZZZZZ) (C=EZZZZZ) (D=EZZZZZ)									
12	1	160690-11271	BOLT	2	2	2	2				
12-1	1	160890-11270	BOLT	2	2	2	2				F 2
		(A=EZZZZZ) (B=EZZZZZ) (C=EZZZZZ) (D=EZZZZZ)									
13	1	160690-11280	NUT, M6X0.5	2	2	2	2				
14	1	160890-11290	PLATE, GUIDE	1	1	1	1				
15	1	26216-080182	STUD, M8X 18	2	2	2	2				
15-1	1	26226-080182	STUD, M8X 18	2	2	2	2				N
		(A=EZZZZZ) (B=EZZZZZ) (C=EZZZZZ) (D=EZZZZZ)									
16	1	160890-11300	BONNET ASSY, HEAD	1	1	1	1				
17	1	160890-11310	GASKET, BONNET	1	1	1	1				1
18	1	26106-060352	BOLT, M6X 35 PLATED	3	3	3	3				
19	1	160610-03050	BREATHER ASSY	1	1	1	1				
20	1	160820-03180	PIPE, BREATHER	1	1	1	1				
21	1	160890-01210	BOLT, FLANGE M10X70	4	4	4	4				
22	1	160790-01330	GASKET, HEAD	1	1						1
23	1	160890-01330	GASKET, HEAD			1	1				1
24	1	720380-11570	COTTER	2	2	2	2				W 3
		(A=EZZZZZ) (B=EZZZZZ) (C=EZZZZZ) (D=EZZZZZ)									

Remarks

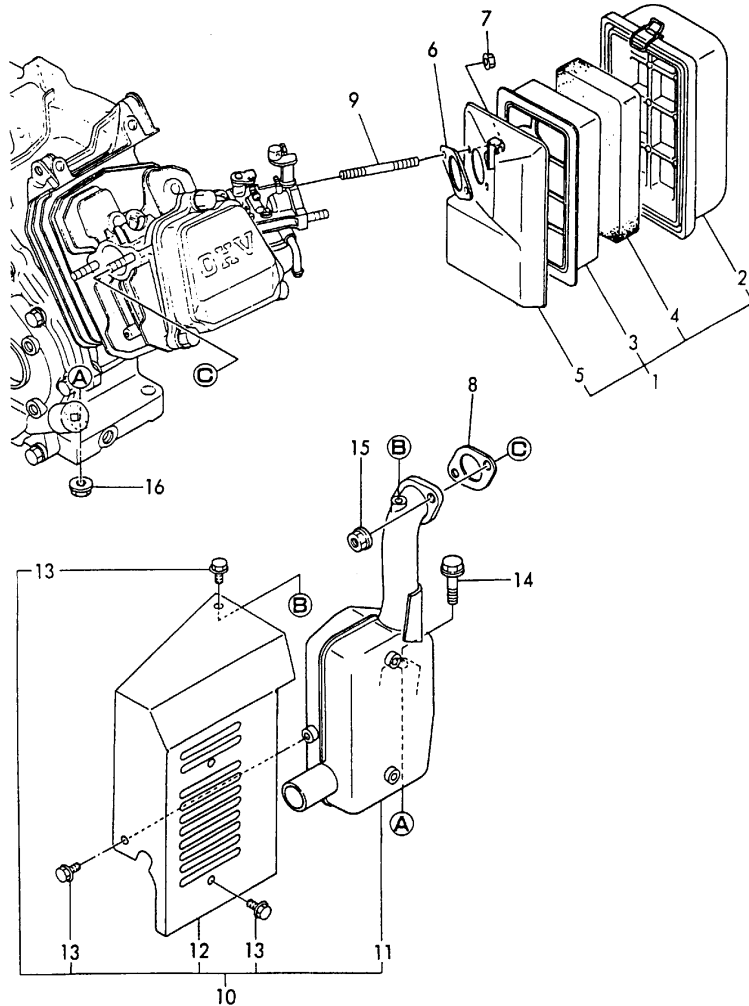
- (1) This part is also sold by gasket set(Fig26.Ref No.1 & 2).
- (2) Ref.No.9-1,10-1,11-1 & 12-1 interchangeable by set.
- (3) Ref.No.6-1,7-1,9-2 & 24 interchangeable by set.

Fig.16. AIR CLEANER & MUFFLER

(A)=EP2500BL-51
 (B)=EP3000BL-61
 (C)=EP3000BL-51

(D)=EP3500BL-61
 (E)=EP2000BL-51
 (F)=EP2500BL-61

SPEC. CODE
 D60791-12120
 D83534-13100



No.	Lev.	Parts No.	Description	Qty						I	R
				(A)	(B)	(C)	(D)	(E)	(F)		
1	1	160790-12500	CLEANER ASSY, AIR	1	1	1	1				
2	2	160790-12510	COVER, AIR CLEANER	1	1	1	1				
3	2	160790-12530	HOLDER, ELEMENT	1	1	1	1				
4	2	160790-12540	ELEMENT	1	1	1	1				
5	2	160790-12520	CASE	1	1	1	1				
6	1	160810-56150	GASKET, CARBURETOR	1	1	1	1				A
7	1	26366-060002	NUT, M6	2	2	2	2				
8	1	160890-13210	GASKET, MUFFLER	1	1	1	1				A
9	1	160790-04600	BOLT, M6X75	2	2	2	2				
10	1	183534-13600	MUFFLER ASSY	1	1	1	1				
11	2	183534-13500	MUFFLER	1	1	1	1				
12	2	183534-13550	COVER	1	1	1	1				
13	2	114252-13950	BOLT, M6X8	4	4	4	4				
14	1	26106-080382	BOLT, M8X 38 PLATED	1	1	1	1				
15	1	26366-080002	NUT, M8	2	2	2	2				
16	1	26366-080002	NUT, M8	1	1	1	1				

Remarks

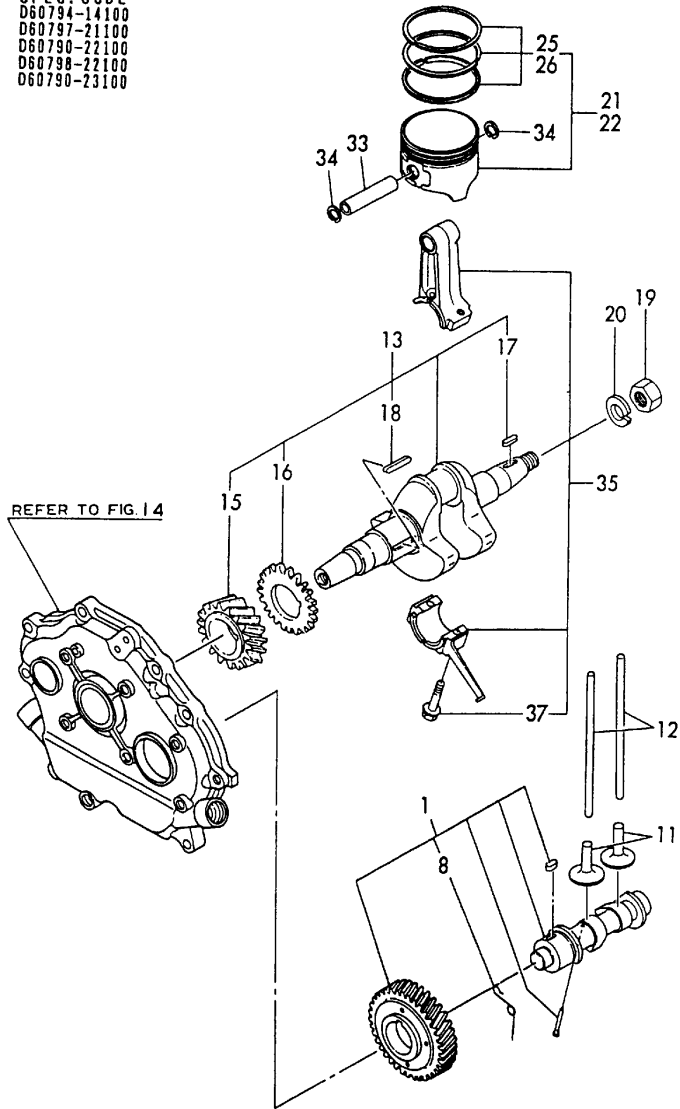
(A) THIS PART IS ALSO SOLD BY GASKET SET (FIG 26. REF NO.1 & 2).

Fig.17. CRANKSHAFT, PISTON & CAMSHAFT

(A)=EP2500BL-51
 (B)=EP3000BL-61
 (C)=EP3000BL-51

(D)=EP3500BL-61
 (E)=EP2000BL-51
 (F)=EP2500BL-61

SPEC. CODE
 D60794-14100
 D60797-21100
 D60790-22100
 D60798-22100
 D60790-23100

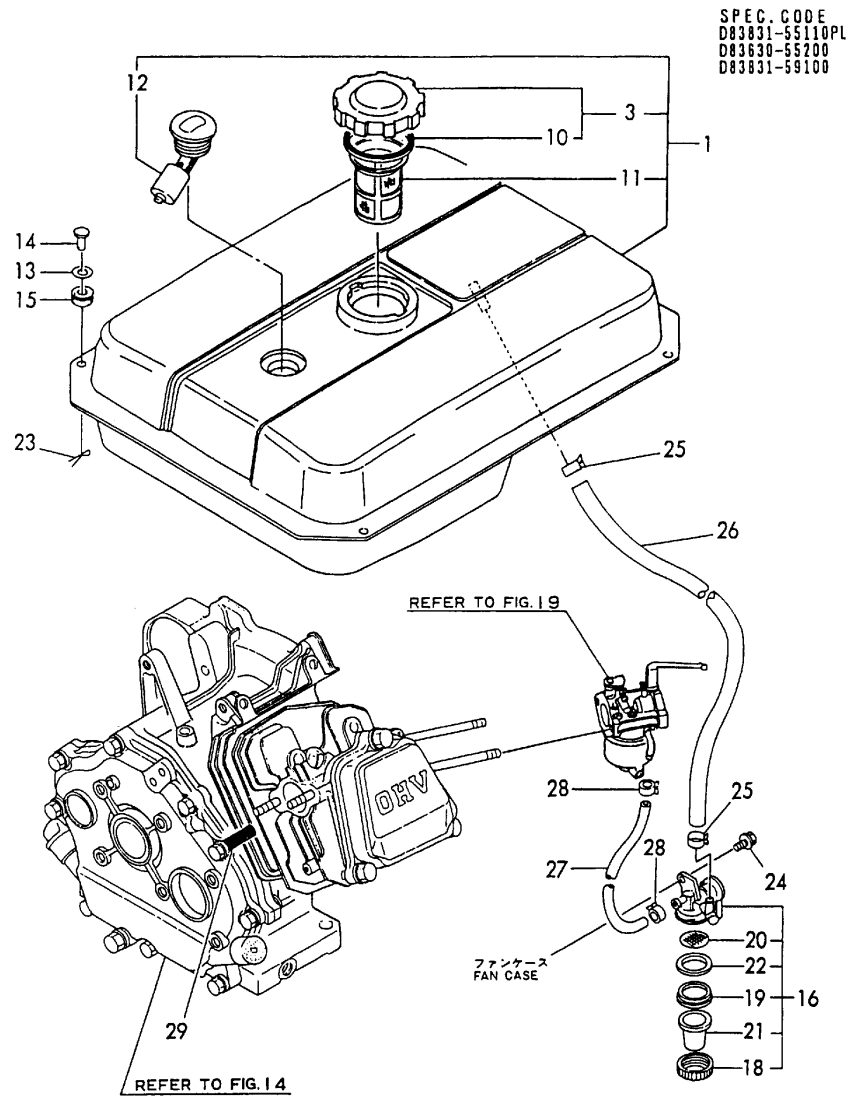


No.	Lev.	Parts No.	Description	Q'ty						I	R
				(A)	(B)	(C)	(D)	(E)	(F)		
1	1	160994-14051	CAMSHAFT ASSY	1	1	1	1				
8	2	160890-14560	SPRING, DECOMPRESSION	1	1	1	1				
11	1	114250-14400	ROD, PUSH	2	2	2	2				
12	1	160890-14200	TAPPET	2	2	2	2				
13	1	760797-21700	CRANKSHAFT ASSY	1	1	1	1				
15	2	160890-21200	GEAR, CRANKSHAFT	1	1	1	1				
16	2	160890-21220	GEAR, BALANCER	1	1	1	1				
17	2	22512-040300	KEY, 4X 30	1	1	1	1				
18	2	22512-040160	KEY, 4X 16	1	1	1	1				
19	1	26737-160002	NUT, M16	1	1	1	1				
20	1	22137-160000	WASHER, 16	1	1	1	1				
21	1	160790-22011	PISTON ASSY	1	1						
22	1	160798-22010	PISTON ASSY			1	1				
25	2	760790-22502	RING SET, PISTON	1	1						
26	2	760798-22500	RING SET, PISTON			1	1				
33	1	160890-22300	PIN, PISTON	1	1	1	1				
34	1	22252-000190	RING, 19	2	2	2	2				
35	1	760790-23700	ROD ASSY, CONNECTING	1	1	1	1				
37	2	160810-23201	BOLT, CONNECTING ROD	2	2	2	2				

Fig.18. FUEL TANK & FUEL LINE

(A)=EP2500BL-51
 (B)=EP3000BL-61
 (C)=EP3000BL-51

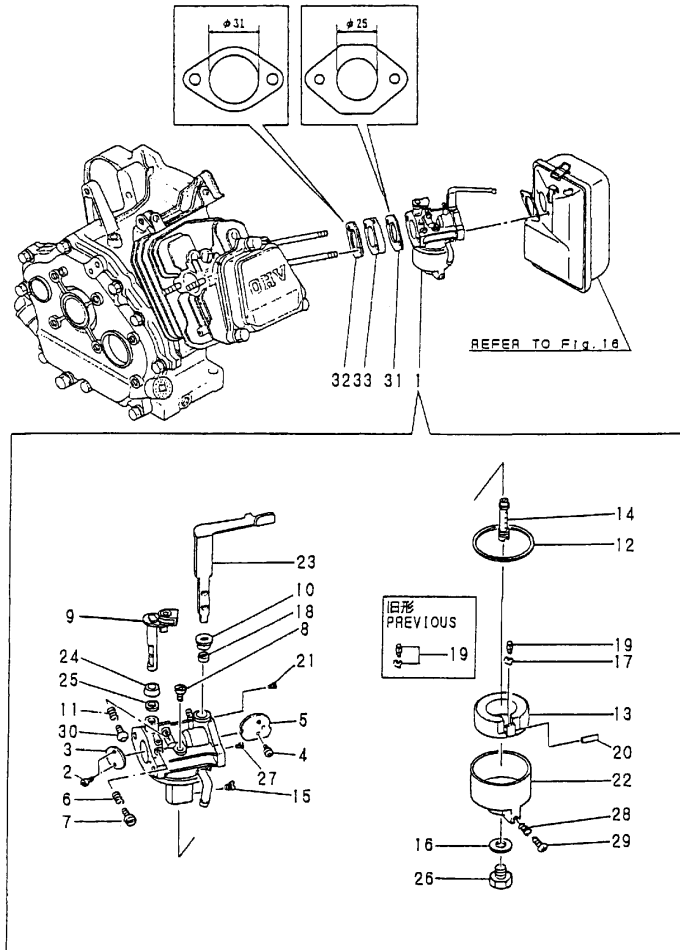
(D)=EP3500BL-61
 (E)=EP2000BL-51
 (F)=EP2500BL-61



No.	Lev.	Parts No.	Description	Q'ty						I	R
				(A)	(B)	(C)	(D)	(E)	(F)		
1	1	783831-55710-1	TANK ASSY, FUEL	1	1	1	1				
3	2	160710-55061	CAP ASSY	1	1	1	1				
10	3	160393-55050	GASKET	1	1	1	1				
11	2	160610-55100	FILTER, FUEL	1	1	1	1				
12	2	183925-55150	GAUGE	1	1	1	1				
13	1	183350-55130	WASHER	4	4	4	4				
14	1	183350-55120	PIN, 6X14	4	4	4	4				
15	1	183720-55210	GROMMET	4	4	4	4				
16	1	160710-55301	COCK ASSY, FUEL	1	1	1	1				
18	2	160710-55360	RING	1	1	1	1				
19	2	160710-55370	GASKET	1	1	1	1				
20	2	160710-55381	FILTER, FUEL	1	1	1	1				
21	2	160710-55390	CUP, FUEL COCK L37	1	1	1	1				
22	2	160692-55421	PLATE	1	1	1	1				
23	1	22360-060000	PIN, SNAP 6	4	4	4	4				
24	1	26106-060122	BOLT, M6X 12 PLATED	1	1	1	1				
25	1	106990-44660	CLIP, HOSE 12.5	2	2	2	2				
26	1	160693-59360	HOSE, FUEL A-325	1	1	1	1				
27	1	160735-59360	PIPE, FUEL B-168	1	1	1	1				
28	1	124060-77680	CLIP, HOSE 10	2	2	2	2				
29	1	160710-78710	CLAMP, CORD	1	1	1	1				

Fig.19. CARBURETOR

P/C NEWS No. Y00D4880-2
PUBLISHED: 2004/4



(A)=EP2500BL-51
(B)=EP3000BL-61
(C)=EP3000BL-51

(D)=EP3500BL-61
(E)=EP2000BL-51
(F)=EP2500BL-61

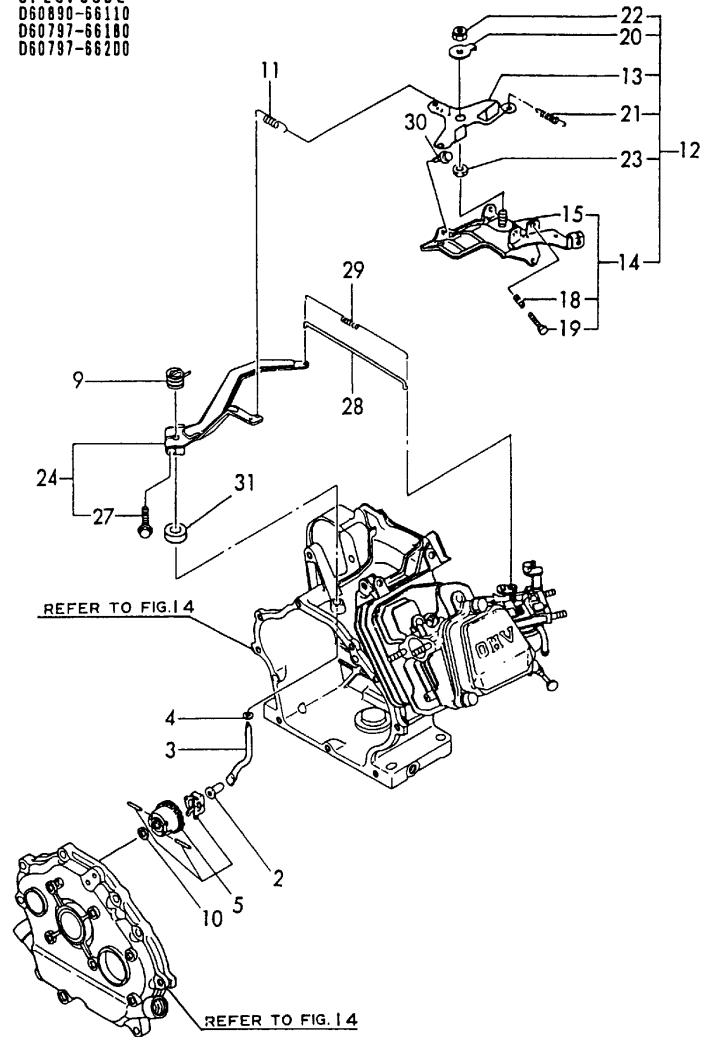
No.	Lev.	Parts No.	Description	Q'ty						I	R
				(A)	(B)	(C)	(D)	(E)	(F)		
1	1	160798-56110	CARBURETOR ASSY	1	1	1	1				
2	2	160120-56670	SCREW	2	2	2	2				
2-1	2	160690-56560	SCREW	2	2	2	2				N
3	2	160880-56760	VALVE, THROTTLE	1	1	1	1				
4	2	160903-56670	SCREW	2	2	2	2				
4-1	2	160690-56570	SCREW	2	2	2	2				N
5	2	160792-56520	VALVE, CHOKE	1	1	1	1				
6	2	181230-56380	SPRING	1	1	1	1				
7	2	160667-56750	ADJUSTER	1	1	1	1				
8	2	160667-56740	JET, PILOT	1	1	1	1				
9	2	160798-56570	SHAFT, THROTTLE	1	1	1	1				
10	2	160792-56540	RING	1	1	1	1				
11	2	181230-56380	SPRING	1	1	1	1				
12	2	160210-56610	WASHER	1	1	1	1				
13	2	160810-56620	FLOAT ASSY	1	1	1	1				
13-1	2	160890-56620	FLOAT ASSY	1	1	1	1				N
14	2	160793-56561	NOZZLE, MAIN	1	1	1	1				M
14-1	2	160793-56561	NOZZLE, MAIN	1	1	1	1				
15	2	160797-56570	JET, ENRICHMENT	1	1	1	1				
16	2	160120-56721	GASKET	1	1	1	1				
17	2	160692-56750	CLIP	1	1	1	1				
18	2	160810-56580	RING, CHOKE SHAFT	1	1	1	1				
19	2	160792-56670	VALVE ASSY, NEEDLE	1	1	1	1				1
19-1	2	160890-56790	VALVE, INJECTION	1	1	1	1				R 1
20	2	160610-56630	PIN, FLOAT	1	1	1	1				
21	2	160798-56630	JET	1	1	1	1				
22	2	160890-56430	BODY, FLOAT	1	1	1	1				
23	2	160797-56650	LEVER, CHOKE	1	1	1	1				
24	2	160702-56720	RING	1	1	1	1				
25	2	160640-56850	SEAL	1	1	1	1				
26	2	160790-56610	BOLT	1	1	1	1				
27	2	160792-56610	JET, PILOT	1	1	1	1				
28	2	181230-56380	SPRING	1	1	1	1				
29	2	160610-56900	SCREW	1	1	1	1				
30	2	160692-56710	SCREW	1	1	1	1				
31	1	160790-56150	GASKET, CARBURETOR	1	1	1	1				A
32	1	160810-56150	GASKET, CARBURETOR	1	1	1	1				A
33	1	160790-56160	INSULATOR	1	1	1	1				

Remarks

- (1)REPAIR PART.
- (A)THIS PART IS ALSO SOLD BY GASKET SET (FIG.26 NO.1,2 P/# 760790-92600,760890-92600).
- (M)MISPRINT:REFER TO THE NEXT ITEM.

Fig.20. GOVERNOR & CONTROL DEVICE

SPEC. CODE
 D60890-66110
 D60797-66180
 D60797-66200



(A)=EP2500BL-51
 (B)=EP3000BL-61
 (C)=EP3000BL-51

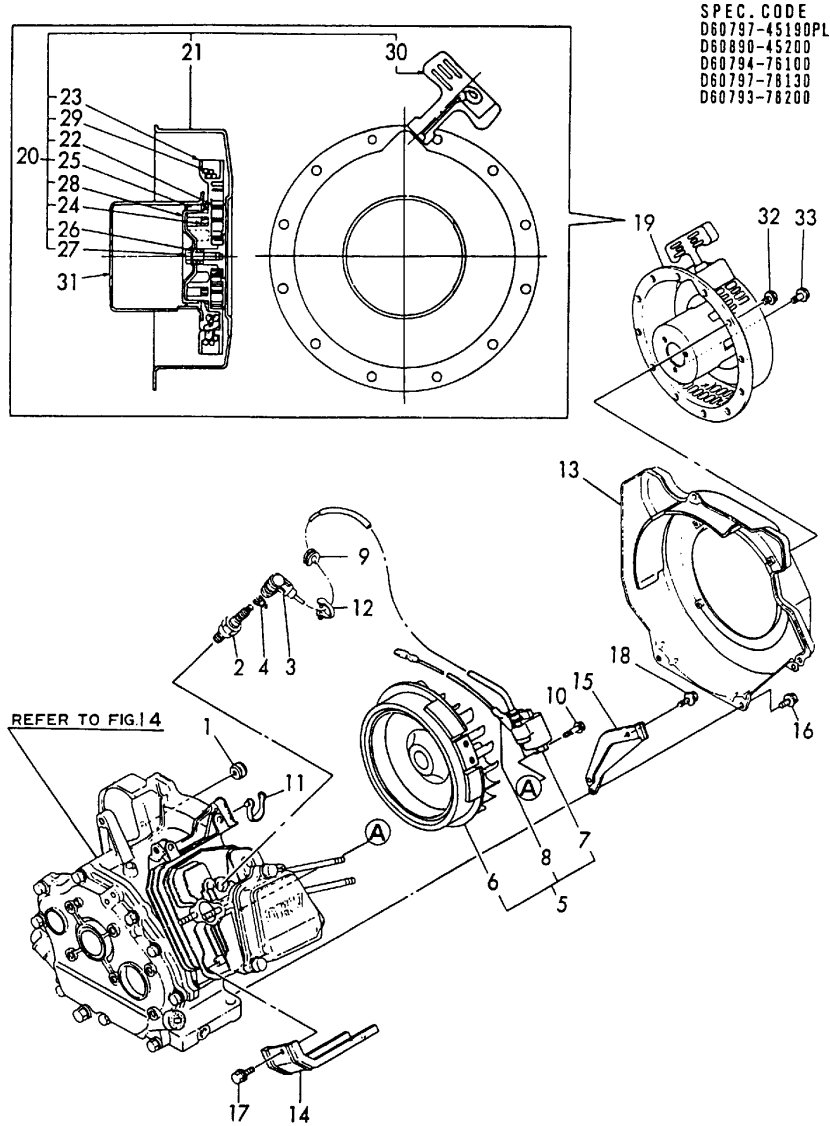
(D)=EP3500BL-61
 (E)=
 (F)=

No.	Lev.	Parts No.	Description	Qty						I	R
				(A)	(B)	(C)	(D)	(E)	(F)		
2	1	160690-61300	SPINDLE	1	1	1	1				
3	1	160690-61310	SHAFT	1	1	1	1				
4	1	160690-61450	WASHER	1	1	1	1				
5	1	160690-61600	GEAR ASSY, GOVERNOR	1	1	1	1				
9	1	160890-66050	SPRING, RETURN	1	1	1	1				
10	1	160120-76940	WASHER	1	1	1	1				
11	1	160797-66010	SPRING, GOVERNOR	1	1	1	1				
12	1	160797-66100	CONTROLLER ASSY	1	1	1	1				
13	2	160692-66062	LEVER, CONTROL	1	1	1	1				
14	2	160797-66170	BASE ASSY	1	1	1	1				
15	3	160797-66142	BASE ASSY	1	1	1	1				
18	3	160520-66291	SPRING	1	1	1	1				
19	3	26117-040257	BOLT, M4X 25 PLATED	1	1	1	1				
20	2	160670-66350	COLLAR	1	1	1	1				
21	2	160594-66011	SPRING, GOVERNOR	1	1	1	1				
22	2	26347-060002	NUT, M6	1	1	1	1				
23	2	26757-060002	NUT, LOCK M6	1	1	1	1				
24	1	160890-66190	LEVER ASSY, GOVERNOR	1	1	1	1				
27	2	26106-060252	BOLT, M6X 25 PLATED	1	1	1	1				
28	1	160998-66200	LINK, THROTTLE	1	1	1	1				
29	1	160690-66210	SPRING, TENSION	1	1	1	1				
30	1	26476-060142	SCREW, TAPPING M6X14	3	3	3	3				
31	1	114770-61600	SEAL, OIL	1	1	1	1				

Fig.21. MAGNETO & STARTING DEVICE

(A)=EP2500BL-51
 (B)=EP3000BL-61
 (C)=EP3000BL-51

(D)=EP3500BL-61
 (E)=
 (F)=



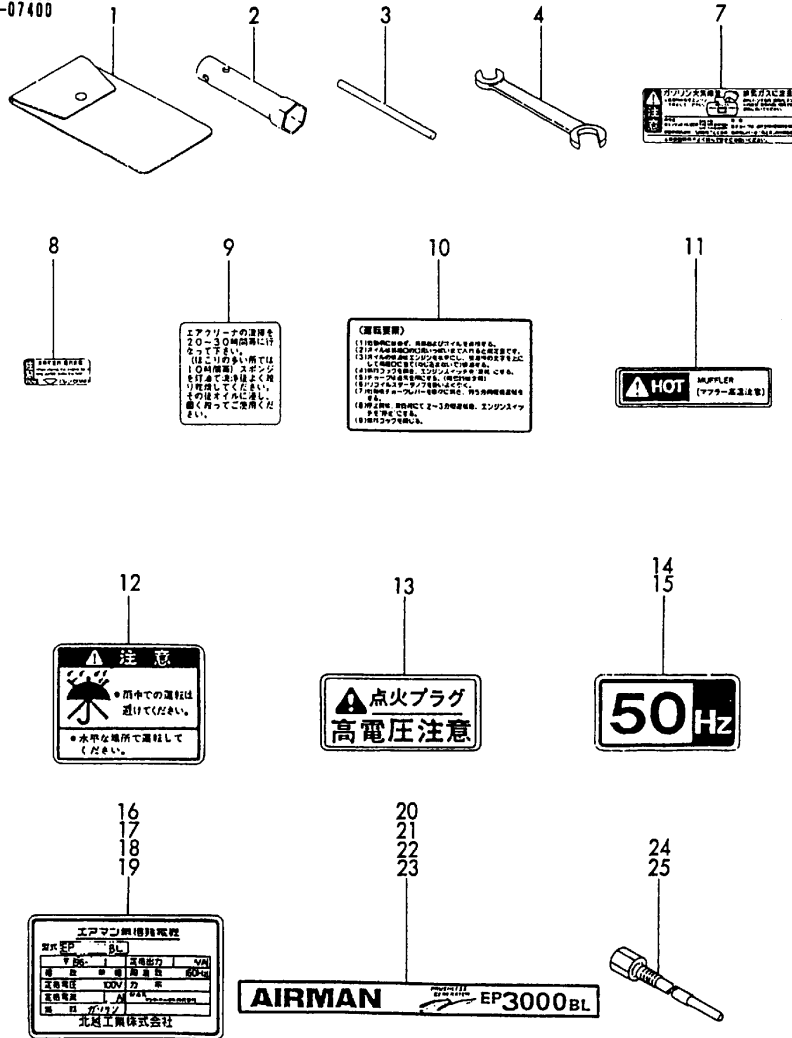
No.	Lev.	Parts No.	Description	Qty						I	R
				(A)	(B)	(C)	(D)	(E)	(F)		
1	1	160341-01950	PIPE	1	1	1	1				
2	1	160793-78010	PLUG, SPARK	1	1	1	1				
3	1	160700-78040	CAP, PLUG	1	1	1	1				
4	1	160700-78050	TERMINAL, PLUG	1	1	1	1				
5	1	160794-78051	MAGNETIC ASSY	1	1	1	1				
6	2	160794-78500	ROTOR	1	1	1	1				
7	2	160797-78522	COIL, IGNITION	1	1	1	1				
8	2	160690-78230	WIRE	1	1	1	1				
9	1	160700-78720	GROMMET	1	1	1	1				
10	1	26476-060252	SCREW, TAPPING M6X25	2	2	2	2				
11	1	29610-000650	CLAMP, SPEED 065	1	1	1	1				
12	1	29610-000950	CLAMP, SPEED 095	1	1	1	1				
13	1	160797-45180-2	CASE, COOLING FAN	1	1	1	1				
14	1	160890-45200	COVER, HEAD	1	1	1	1				
15	1	160790-45210	COVER	1	1	1	1				
16	1	26476-060142	SCREW, TAPPING M6X14	4	4	4	4				
17	1	26476-060142	SCREW, TAPPING M6X14	2	2	2	2				
18	1	26476-060142	SCREW, TAPPING M6X14	1	1	1	1				
19	1	160794-76050	STARTER ASSY, RECOIL	1	1	1	1				
20	2	160794-76250	STARTER ASSY, RECOIL	1	1	1	1				
21	3	160794-76510	CASE, STARTER	1	1	1	1				
22	3	160890-76510	SPRING, SPIRAL	1	1	1	1				
23	3	160794-76520	REEL	1	1	1	1				
24	3	160641-76550	SPRING, DOG	3	3	3	3				
25	3	160890-76540	DOG	3	3	3	3				
26	3	160890-76550	SPRING, BRAKE	1	1	1	1				
27	3	160641-76570	SCREW	1	1	1	1				
28	3	160794-76570	RETAINER	1	1	1	1				
29	3	160890-76580	ROPE, STARTER	1	1	1	1				
30	3	160260-76620	KNOB, STARTER	1	1	1	1				
31	2	160794-76590	PULLEY, STARTER	1	1	1	1				
32	1	26106-060082	BOLT, M6X 8 PLATED	4	4	4	4				
33	1	26106-060122	BOLT, M6X 12 PLATED	3	3	3	3				

Fig.22. TOOL & LABEL

(A)=EP2500BL-51
(B)=EP3000BL-61
(C)=EP3000BL-51

(D)=EP3500BL-61
(E)=
(F)=

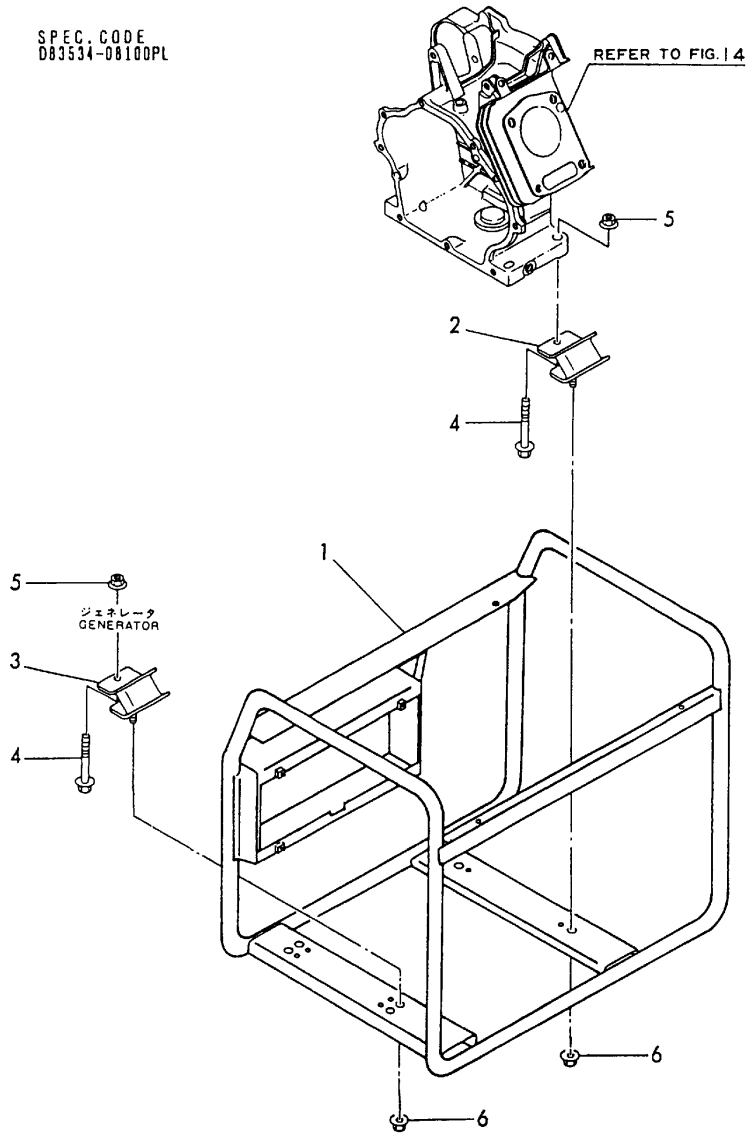
SPEC. CODE
D83534-07400
D83834-07400
D60810-92100
D83544-07400
D83844-07400



No.	Lev.	Parts No.	Description	Q'ty						I	R
				(A)	(B)	(C)	(D)	(E)	(F)		
1	1	160110-92610	BAG, TOOL	1	1	1	1				
2	1	160120-92700	WRENCH, 21 L86	1	1	1	1				
3	1	160110-92710	HANDLE, WRENCH	1	1	1	1				
4	1	28110-100120	SPANNER, 10X12	1	1	1	1				
7	1	183634-07300	LABEL, CAUTION	1	1	1	1				
8	1	160520-07271	LABEL, DRAIN	1	1	1	1				
9	1	160520-07370	LABEL, CLEANER	1	1	1	1				
10	1	183730-07220	LABEL, OPERATION	1	1	1	1				
11	1	170001-07230	LABEL, MUFFLER CAUTION	1	1	1	1				
12	1	183210-07400	LABEL, RAIN CAUTION	1	1	1	1				
13	1	183210-07410	LABEL, PLUG	1	1	1	1				
14	1	183610-07230	LABEL, 50HZ	1		1					
15	1	183620-07230	LABEL, 60HZ		1		1				
16	1	183830-07520	LABEL (GENERATOR)	1							
17	1	183840-07520	LABEL (GENERATOR)		1						
18	1	183831-07520	LABEL (GENERATOR)				1				
19	1	183841-07520	LABEL (GENERATOR)					1			
20	1	183744-07750	LABEL	1							
21	1	183544-07750	LABEL		1						
22	1	183544-07750	LABEL			1					
23	1	183844-07750	LABEL				1				
24	1	183362-92350	TOOL, ROTOR REMOVER	1	1						
25	1	183882-92350	TOOL, ROTOR REMOVER			1	1				

Fig.23. FRAME

SPEC. CODE
DB3534-08100PL



(A)=EP2500BL-51
(B)=EP3000BL-61
(C)=EP3000BL-51

(D)=EP3500BL-61
(E)=
(F)=

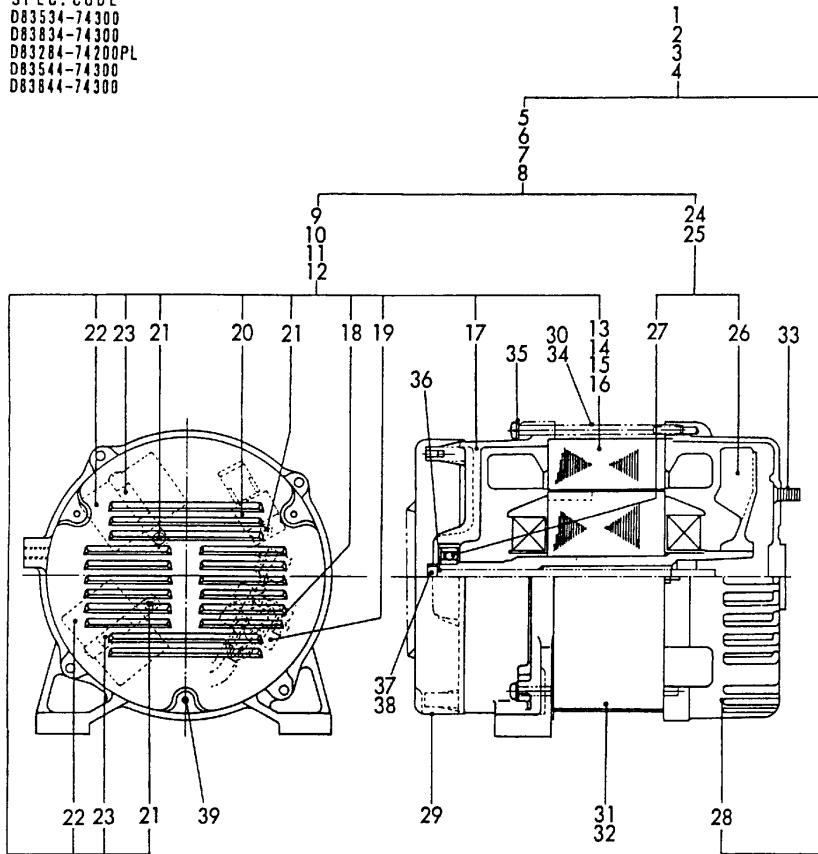
No.	Lev.	Parts No.	Description	Qty						I	R
				(A)	(B)	(C)	(D)	(E)	(F)		
1	1	183534-08010-1	FRAME	1	1	1	1				
2	1	183730-08210	DAMPER	2	2	2	2				
3	1	183830-08210	DAMPER	2	2	2	2				
4	1	26106-080382	BOLT, M8X 38 PLATED	4	4	4	4				
5	1	26366-080002	NUT, M8	4	4	4	4				
6	1	26376-100002	NUT, M10	4	4	4	4				

Fig.24. GENERATOR

(A)=EP2500BL-51
 (B)=EP3000BL-61
 (C)=EP3000BL-51

(D)=EP3500BL-61
 (E)=
 (F)=

SPEC. CODE
 D83534-74300
 D83834-74300
 D83284-74200PL
 D83544-74300
 D83844-74300

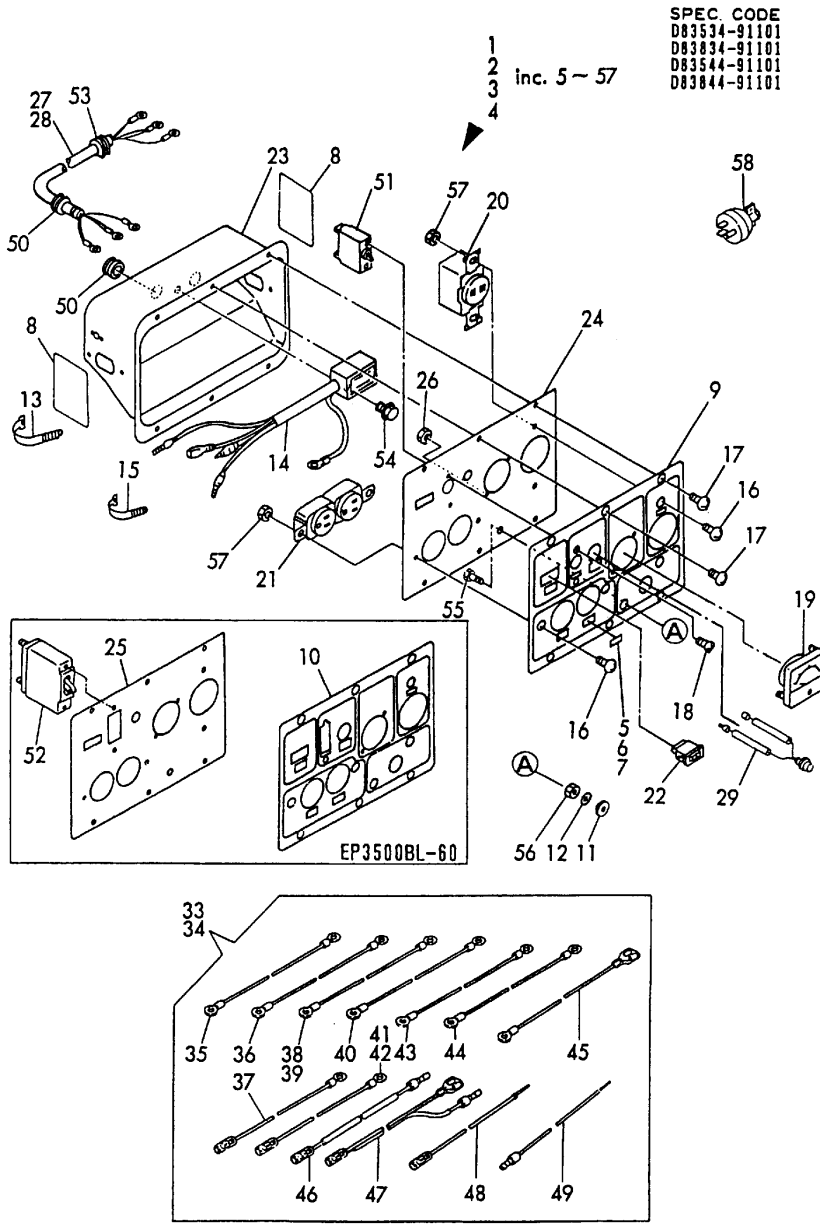


No.	Lev.	Parts No.	Description	Q'ty						I	R
				(A)	(B)	(C)	(D)	(E)	(F)		
1	1	183534-74500	GENERATOR, 3.0KVA	1							
2	1	183544-74500	GENERATOR, 3.0KVA		1						
3	1	183834-74500	GENERATOR, 3.5KVA			1					
4	1	183844-74500	GENERATOR, 3.5KVA					1			
5	2	183384-74050	GENERATOR, 3.0KVA	1							
6	2	183388-74050	GENERATOR, 3.0KVA		1						
7	2	183834-74050	GENERATOR, 3.5KVA				1				
8	2	183844-74050	GENERATOR, 3.5KVA					1			
9	3	183830-74200	STATOR	1							
10	3	183840-74200	STATOR ASSY		1						
11	3	183831-74200	STATOR ASSY			1					
12	3	183841-74200	STATOR ASSY					1			
13	4	183830-74290	STATOR	1							
14	4	183840-74290	STATOR		1						
15	4	183831-74290	STATOR					1			
16	4	183841-74290	STATOR						1		
17	4	183740-74250	COVER, REAR	1	1	1	1	1	1		
18	4	183620-74270	TERMINAL	1	1	1	1	1	1		
19	4	183350-74380	SCREW, M4X14	2	2	2	2	2	2		
20	4	183294-74080	RECTIFIER, ROTOR	1	1	1	1	1	1		
21	4	183620-74310	SCREW M 5X10	3	3	3	3	3	3		
22	4	183740-74170	CONDENSER	2	2	2	2	2	2		
23	4	183740-74180	CLAMP	2	2	2	2	2	2		
24	3	183840-74351	ROTOR ASSY	1	1						
25	3	183841-74351	ROTOR ASSY				1	1			
26	4	183740-74360	FAN	1	1	1	1	1	1		
27	4	183740-74370	BEARING	1	1	1	1	1	1		
28	2	183831-74150	COVER	1	1	1	1	1	1		
29	1	183284-74400-1	COVER	1	1	1	1	1	1		
30	1	183362-74410	BOLT, THROUGH M6X110	4	4						
31	1	183830-74750	BAND, GENERATOR	1	1						
32	1	183831-74750	BAND, GENERATOR			1	1				
33	1	183730-74950	SCREW, M8X18	4	4	4	4	4	4		
34	1	183831-74950	BOLT, THROUGH M6X125			4	4	4	4		
35	1	22217-060000	WASHER, SPRING 6	4	4	4	4	4	4		
36	1	22217-100000	WASHER, SPRING 10	1	1	1	1	1	1		
37	1	26116-102002	BOLT, M10X200 PLATED	1	1						
38	1	26116-102152	BOLT, M10X215 PLATED				1	1			
39	1	26557-040082	SCREW, M4X 8	3	3	3	3	3	3		

Fig.25. PANEL

(A)=EP2500BL-51
 (B)=EP3000BL-61
 (C)=EP3000BL-51

(D)=EP3500BL-61
 (E)=
 (F)=



No.	Lev.	Parts No.	Description	Q'ty						I	R
				(A)	(B)	(C)	(D)	(E)	(F)		
1	1	183534-91051	BOX ASSY, PANEL	1							
2	1	183544-91051	BOX ASSY, PANEL		1						
3	1	183834-91051	BOX ASSY, PANEL			1					
4	1	183844-91051	BOX ASSY, PANEL						1		
5	2	183784-07400	LABEL, AMPERE	1							
6	2	183384-07400	LABEL, AMPERE		1	1					
7	2	183884-07400	LABEL, AMPERE						1		
8	2	183730-07490	SHEET	2	2	2	2		2		
9	2	183534-07800	LABEL, PANEL	1	1	1					
10	2	183834-07800	LABEL, PANEL						1		
11	2	183210-08810	NUT	1	1	1	1		1		
12	2	183350-55130	WASHER	1	1	1	1		1		
13	2	121750-59890	BAND, 140	1	1	1	1		1		
14	2	160770-78830	SENSOR	1	1	1	1		1		
15	2	160370-78950	BAND, L=98	1	1	1	1		1		
16	2	183976-91080	SCREW, M4X10	4	4	4	4		4		
17	2	183896-91090	SCREW, M5X10	6	6	6	6		6		
18	2	183976-91090	SCREW, M3X5	2	2	2	2		2		
19	2	183730-91210	REGULATOR, VOLTAGE	1	1	1	1		1		
20	2	183830-91320	SOCKET, 30A	1	1	1	1		1		
21	2	183920-91320	SOCKET, 125VX2	1	1	1	1		1		
22	2	183730-91450	SWITCH, STOP	1	1	1	1		1		
23	2	183284-91850	BOX, PANEL	1	1	1	1		1		
24	2	183284-91900	BOARD, PANEL	1	1	1	1		1		
25	2	183834-91900	BOARD, PANEL						1		
26	2	183925-91990	NUT, LOCK	2	2	2	2		2		
27	2	183534-95501	HARNESS, WIRE	1	1						
28	2	183834-95501	HARNESS, WIRE			1	1		1		
29	2	183732-95500	ALERT ASSY	1	1	1	1		1		
33	2	183534-95810	HARNESS ASSY, WIRE	1	1						
34	2	183834-95810	HARNESS ASSY, WIRE			1	1		1		
35	3	183888-95250	HARNESS, WIRE	1	1	1	1		1		
36	3	183284-95620	HARNESS, WIRE	2	2	2	2		2		
37	3	183284-95670	HARNESS, WIRE	1	1	1	1		1		
38	3	183284-95820	HARNESS, WIRE	1	1				1		
39	3	183834-95820	HARNESS, WIRE			1	1		1		
40	3	183384-95820	HARNESS, WIRE	1	1	1	1		1		
41	3	183284-95830	HARNESS, WIRE	1	1				1		
42	3	183884-95830	HARNESS, WIRE			1	1		1		
43	3	183384-95830	HARNESS, WIRE	1	1	1	1		1		
44	3	183634-95830	HARNESS, WIRE	1	1	1	1		1		
45	3	183634-95860	HARNESS, WIRE	1	1	1	1		1		
46	3	183634-95870	HARNESS, WIRE	1	1	1	1		1		
47	3	183634-95880	HARNESS, WIRE	1	1	1	1		1		
48	3	183634-95890	HARNESS, WIRE	1	1	1	1		1		
49	3	183634-95900	HARNESS, WIRE	1	1	1	1		1		
50	2	29311-122000	GROMMET, 12.0X2	2	2	2	2		2		
51	2	183000-96520	BREAKER, AC 30A	1	1				1		
52	2	183000-96570	BREAKER, AC 35A			1	1		1		
53	2	183625-98040	GROMMET	1	1	1	1		1		
54	2	26106-060122	BOLT, M6X 12 PLATED	1	1	1	1		1		

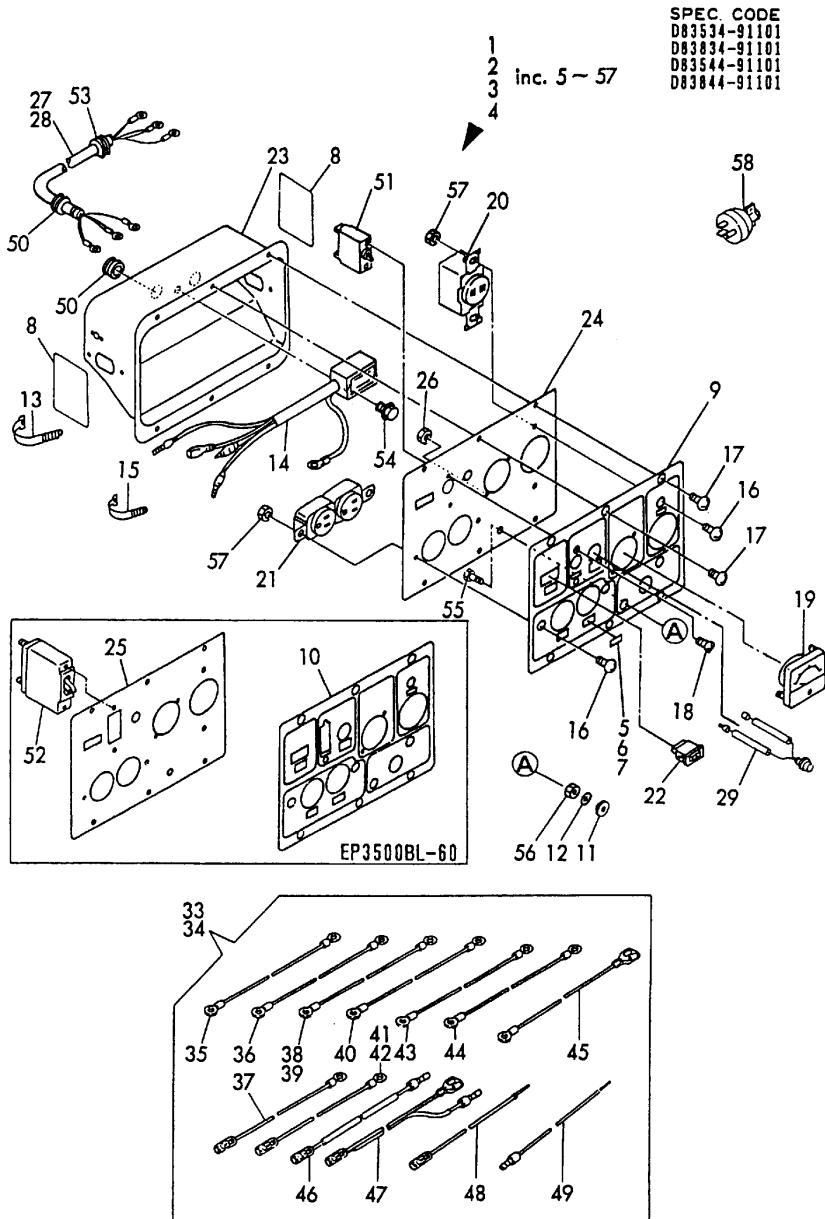
N:Old $\begin{matrix} \leftarrow \text{Yes} \\ \text{No} \end{matrix}$ New, Q:Old $\begin{matrix} \leftarrow \text{No} \\ \text{Yes} \end{matrix}$ New, R:Old $\begin{matrix} \leftarrow \text{Yes} \\ \text{No} \end{matrix}$ New, S:Old $\begin{matrix} \leftarrow \text{No} \\ \text{Yes} \end{matrix}$ New, W:Add, Z:Discontinued, F:Interchangeable by set, K:Q'ty Change
 ++ CONTINUE ++
 Copyright (C) YANMAR CO., LTD. All Rights Reserved.

Fig.25. PANEL

(A)=EP2500BL-51
 (B)=EP3000BL-61
 (C)=EP3000BL-51

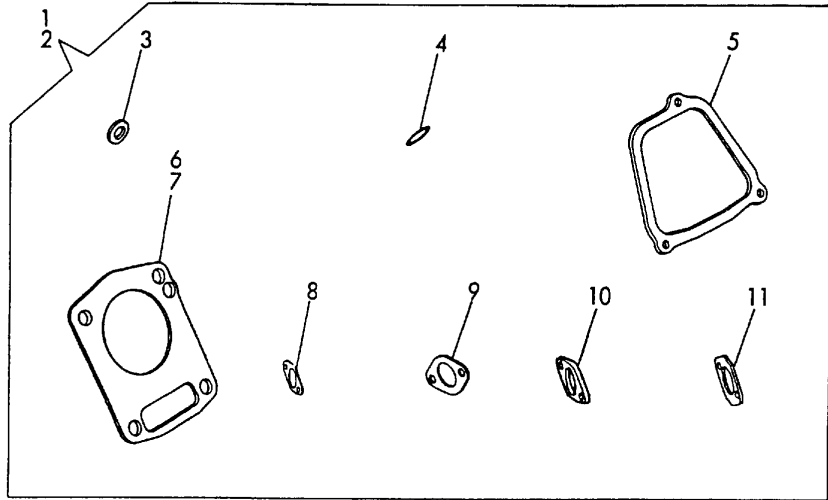
(D)=EP3500BL-61
 (E)=
 (F)=

No.	Lev.	Parts No.	Description	Qty						I	R
				(A)	(B)	(C)	(D)	(E)	(F)		
55	2	26113-060162	BOLT, M6X 16	1	1	1	1				
56	2	26753-060002	NUT, LOCK M6	1	1	1	1				
57	2	26757-040002	NUT, LOCK M4	4	4	4	4				
58	1	183720-91750	PLUG, 125VX15A	2	2	2	2				



N:Old $\xleftrightarrow{\text{Yes/No}}$ New, Q:Old $\xleftrightarrow{\text{No/Yes}}$ New, R:Old $\xleftrightarrow{\text{Yes/No}}$ New, S:Old $\xleftrightarrow{\text{No/Yes}}$ New, W:Add, Z:Discontinued, F:Interchangeable by set, K:Qty Change
 Copyright (C) YANMAR CO., LTD. All Rights Reserved.

Fig.26. GASKET SET(OPTIONAL)



(A)=EP2500BL-51
 (B)=EP3000BL-61
 (C)=EP3000BL-51

(D)=EP3500BL-61
 (E)=
 (F)=

No.	Lev.	Parts No.	Description	Qty						I	R
				(A)	(B)	(C)	(D)	(E)	(F)		
1	1	760790-92600	GASKET SET	1	1						
2	1	760890-92600	GASKET SET				1	1			
3	2	104200-59170	GASKET, 12	2	2	2	2				
4	2	24311-000180	O-RING, 1AP18.0	1	1	1	1				
5	2	160890-11310	GASKET, BONNET	1	1	1	1				
6	2	160790-01330	GASKET, HEAD	1	1						
7	2	160890-01330	GASKET, HEAD				1	1			
8	2	160810-56150	GASKET, CARBURETOR	1	1	1	1				
9	2	160890-13210	GASKET, MUFFLER	1	1	1	1				
10	2	160790-56150	GASKET, CARBURETOR	1	1	1	1				
11	2	160810-56150	GASKET, CARBURETOR	1	1	1	1				

Parts No. Index

Parts No.	Fig. No.	Ref. No.
101158-11180	2	13 -1
104200-59170	1	16
	13	4
	14	8
	26	3
106990-44660	5	25
	18	25
114250-14400	4	16
	17	11
114252-13950	3	15
	16	13
114770-61600	7	31
	20	31
121750-59890	12	16
	25	13
124060-77680	5	28
	18	28
160110-01870	1	33
	14	21
160110-02220	14	10
		15
160110-92610	9	1
	22	1
160110-92710	9	3
	22	3
160120-56670	19	2
160120-56721	19	16
160120-76940	7	9
	20	10
160120-92700	9	2
	22	2
160210-56610	19	12
160260-76620	21	30
160260-78700	1	34
160310-56980	6	21
160310-56990	6	22
160341-01950	8	1
	21	1
160370-78950	8	13
	12	18
	25	15
160393-55050	5	10
	18	10
160490-14200	4	14
160510-56740	6	13
160520-07271	9	9
	22	8
160520-07370	9	10
	22	9
160520-66291	7	19

Parts No.	Fig. No.	Ref. No.
160520-66291	20	18
160590-01330	2	26
	13	7
160590-11010	2	1
160590-11100	2	8
160590-11110	2	10
160590-14400	4	15
160590-14570	4	11
160590-21200	4	22
160590-21210	4	24
160590-22011	4	28
160590-22300	4	46
160590-45211	8	21
160590-56530	6	8
160590-56671	6	28
160590-56740	6	11
160590-56771	6	32
160590-56801	6	45
160592-56540	6	4
160594-14050	4	1
160594-66011	7	11
	20	21
160594-78051	8	4
160594-78500	8	5
160594-78531	8	6
160597-45120-2	8	18
160597-56011	6	1
160597-66100	7	13
160610-01690	1	15
	14	7
160610-02220	1	11
160610-03050	15	19
160610-04201	2	29
160610-04570	3	1
160610-04910	4	17
160610-21290	4	25
160610-55100	5	11
	18	11
160610-56150	3	7
	6	49
	13	10
		12
160610-56610	6	26
160610-56611	6	31
160610-56630	6	17
	19	20
160610-56740	6	12
160610-56900	6	42
	19	29
160640-02220	1	23

Parts No.	Fig. No.	Ref. No.
160640-56850	6	37
	19	25
160641-76550	21	24
160641-76570	21	27
160667-56740	19	8
160667-56750	6	38
	19	7
160670-66350	20	20
160690-01330	2	27
	13	8
160690-02220	1	12
		24
160690-03050	2	24
160690-11010	2	2
160690-11100	2	9
160690-11110	2	11
160690-11120	2	12
160690-11130	2	9 -1
160690-11140	2	11 -1
160690-11150	2	12 -1
160690-11180	2	13
160690-11200	2	14
160690-11220	2	15
	15	11
160690-11221	2	15 -1
	15	11 -1
160690-11271	2	16
	15	12
160690-11280	2	17
	15	13
160690-11290	2	18
160690-11300	2	20
160690-11310	2	21
	13	6
160690-13200	3	9
	13	11
160690-14570	4	12
160690-21201	4	23
160690-22011	4	29
160690-22300	4	47
160690-45200	8	20
160690-56160	6	50
160690-56560	19	2 -1
160690-56570	19	4 -1
160690-56750	6	46
160690-56800	6	33
160690-61300	7	2
	20	2
160690-61310	7	3
	20	3

Parts No.	Fig. No.	Ref. No.
160690-61450	7	4
	20	4
160690-61600	7	5
	20	5
160690-66111	7	15
160690-66143	7	16
160690-66160	7	21
160690-66180	7	25
160690-66200	7	28
160690-66210	7	29
	20	29
160690-76520	8	28
160690-76530	8	32
160690-76540	8	33
160690-76550	8	35
160690-76560	8	34
160690-76580	8	31
160690-76590	8	42
160690-76620	8	40
160690-76630	8	39
160690-76800	8	29
160690-76810	8	30
160690-76820	8	36
160690-76830	8	41
160690-78230	8	7
	21	8
160691-56680	6	9
160692-55421	5	22
	18	22
160692-56560	6	48
160692-56640	6	19
160692-56700	6	40
160692-56710	6	14
	19	30
160692-56750	19	17
160692-56770	6	41
160692-56780	6	34
160692-56800	6	44
160692-66062	7	14
	20	13
160693-12510	3	2
160693-12520	3	3
160693-12540	3	6
160693-12550	3	5
160693-59360	18	26
160694-14050	4	2
160694-45010	8	17
160694-76050	8	25
160694-76250	8	26
160694-76510	8	27

Parts No. Index

Parts No.	Fig. No.	Ref. No.
160694-78051	8	8
160694-78500	8	9
160694-78530	8	10
160697-45130-2	8	19
160697-56010	6	2
160697-56620	6	18
160697-56650	6	23
160697-66010	7	12
160698-01330	2	28
	13	9
160698-22010	4	30
160698-56060	6	3
160698-56061	6	3 -1
160698-56062	6	3 -2
160698-56520	6	5
160698-56530	6	10
160698-56550	6	20
160698-56570	6	29
160698-56590	6	47
160698-57020	6	3 -3
160700-78040	8	3
	21	3
160700-78050	8	11
	21	4
160700-78720	8	12
	21	9
160702-56720	6	39
	19	24
160710-01760	1	26
160710-23201	4	54
160710-55061	5	3
	18	3
160710-55301	5	16
	18	16
160710-55360	5	18
	18	18
160710-55370	5	19
	18	19
160710-55381	5	20
	18	20
160710-55390	5	21
	18	21
160710-78710	5	29
	14	22
	18	29
160735-59360	5	27
	18	27
160769-12531	3	4
160769-56640	6	27
160769-56660	6	30

Parts No.	Fig. No.	Ref. No.
160770-78820	1	31
160770-78830	12	17
	25	14
160790-01330	15	22
	26	6
160790-04600	16	9
160790-11010	15	1
160790-11100	15	6
160790-11101	15	6 -1
160790-11110	15	7
160790-11111	15	7 -1
160790-12500	16	1
160790-12510	16	2
160790-12520	16	5
160790-12530	16	3
160790-12540	16	4
160790-22011	17	21
160790-45210	21	15
160790-56150	19	31
	26	10
160790-56160	19	33
160790-56610	19	26
160792-56520	19	5
160792-56540	19	10
160792-56610	19	27
160792-56670	19	19
160793-56561	19	14
		14 -1
160793-78010	8	2
	21	2
160794-76050	21	19
160794-76250	21	20
160794-76510	21	21
160794-76520	21	23
160794-76570	21	28
160794-76590	21	31
160794-78051	21	5
160794-78500	21	6
160797-45180-2	21	13
160797-56570	19	15
160797-56650	19	23
160797-66010	20	11
160797-66100	20	12
160797-66142	20	15
160797-66170	20	14
160797-78522	21	7
160797-78800	14	23
160797-78810	14	24
160798-22010	17	22
160798-56110	19	1

Parts No.	Fig. No.	Ref. No.
160798-56570	19	9
160798-56630	19	21
160810-01740	14	17
160810-03180	2	25
160810-11180	15	9
160810-23201	17	37
160810-56150	16	6
	19	32
	26	8
		11
160810-56580	6	24
	19	18
160810-56590	6	25
160810-56620	19	13
160810-56670	6	6
160820-03180	15	20
160830-59350	5	26
160880-56760	19	3
160890-01210	15	21
160890-01330	15	23
	26	7
160890-11120	15	8
160890-11180	15	9 -1
160890-11190	15	9 -2
160890-11200	15	10
160890-11202	15	10 -1
160890-11270	15	12 -1
160890-11290	15	14
160890-11300	15	16
160890-11310	15	17
	26	5
160890-13210	16	8
	26	9
160890-14200	17	12
160890-14560	17	8
160890-21200	17	15
160890-21220	17	16
160890-22300	17	33
160890-45200	21	14
160890-56430	19	22
160890-56620	19	13 -1
160890-56790	19	19 -1
160890-66050	20	9
160890-66190	20	24
160890-76510	21	22
160890-76540	21	25
160890-76550	21	26
160890-76580	21	29
160903-56670	6	7
	19	4

Parts No.	Fig. No.	Ref. No.
160994-14051	17	1
160998-66200	20	28
170001-07230	9	12
	22	11
181230-56380	6	15
		43
	19	6
		11
		28
183000-96520	25	51
183000-96540	12	46
183000-96550	12	47
183000-96570	25	52
183210-07400	9	13
	22	12
183210-07410	9	14
	22	13
183210-08810	12	14
	25	11
183250-74410	11	46
183262-74410	11	47
183262-92350	9	29
183284-07400	12	10
183284-07410	12	9
183284-74050	11	22
183284-74400-1	11	60
	24	29
183284-91850	25	23
183284-91900	25	24
183284-95620	12	35
	25	36
183284-95670	12	36
	25	37
183284-95820	12	37
	25	38
183284-95830	12	38
	25	41
183288-74050	11	23
183294-74080	11	37
	24	20
183350-55120	5	14
	18	14
183350-55130	5	13
	12	15
	18	13
	25	12
183350-74380	11	36
	24	19
183360-91290	12	45
183362-74410	24	30

Parts No. Index

Parts No.	Fig. No.	Ref. No.
183362-92350	22	24
183384-07400	25	6
183384-74050	24	5
183384-95820	25	40
183384-95830	25	43
183388-74050	24	6
183434-07750	9	25
183434-08010-1	10	2
183434-13500	3	12
183434-13600	3	10
183434-74500	11	18
183434-91051	12	3
183444-07750	9	26
		27
183444-74500	11	19
183444-91050	12	4
183452-74410	11	48
183534-07800	25	9
183534-08010-1	23	1
183534-13500	16	11
183534-13550	16	12
183534-13600	16	10
183534-74500	24	1
183534-91051	25	1
183534-95501	25	27
183534-95810	25	33
183544-07750	22	21
		22
183544-74500	24	2
183544-91051	25	2
183610-07230	9	21
		22
183620-07230	9	22
		22
183620-74270	24	18
183620-74310	11	38
		24
183621-55150	5	12
183625-98040	12	48
		25
183630-07520	9	15
183630-08210	10	3
183630-08550	10	5
183630-08560	10	6
183630-74220	11	3
183630-74310	11	5
183634-07300	9	8
		22
183634-07400	12	7
183634-07750	9	23

Parts No.	Fig. No.	Ref. No.
183634-07800	12	13
183634-08010-1	10	1
183634-13500	3	13
183634-13550	3	14
183634-13600	3	11
183634-74050	11	1
183634-74400-1	11	59
183634-74750	11	49
183634-91051	12	1
183634-91850	12	25
183634-91900	12	26
183634-95500	12	28
183634-95810	12	33
183634-95830	12	39
		25
183634-95860	12	40
		25
183634-95870	12	41
		25
183634-95880	12	42
		25
183634-95890	12	43
		25
183634-95900	12	44
		25
183640-07520	9	16
183640-74170	11	12
183640-74180	11	13
183640-74190	11	14
183640-74200	11	4
183640-74250	11	7
183640-74290	11	6
183640-74310	11	8
183640-74320	11	9
183640-74350	11	15
183640-74360	11	16
183640-74370	11	17
183640-74470	11	10
183640-74480	11	11
183644-07400	12	8
183644-07750	9	24
183644-74050	11	2
183644-91050	12	2
183720-55210	5	15
		18
183720-91750	12	53
		25
183730-07220	9	11
		22
183730-07490	25	8

Parts No.	Fig. No.	Ref. No.
183730-07520	9	17
183730-08210	10	4
		23
183730-74200	11	26
183730-74290	11	30
183730-74750	11	50
183730-74950	11	52
		24
183730-91210	12	22
		25
183730-91450	12	24
		25
183731-07520	9	19
183731-74230	11	28
183731-74320	11	32
183731-74750	11	51
183732-95500	12	29
		25
183734-74500	11	20
183734-91051	12	5
183740-07520	9	18
183740-74170	11	39
		24
183740-74180	11	40
		24
183740-74200	11	27
183740-74250	11	34
		24
183740-74290	11	31
183740-74310	11	35
183740-74351	11	42
183740-74360	11	43
		24
183740-74370	11	44
		24
183741-07520	9	20
183741-74210	11	29
183741-74300	11	33
183741-74351	11	41
183744-07750	9	28
		22
183744-74500	11	21
183744-91050	12	6
183782-92350	9	30
183784-07400	12	11
		25
183784-74050	11	24
183788-74050	11	25
183830-07520	22	16
183830-08210	23	3

Parts No.	Fig. No.	Ref. No.
183830-74200	24	9
183830-74290	24	13
183830-74750	24	31
183830-91320	25	20
183831-07520	22	18
183831-74150	24	28
183831-74200	24	11
183831-74290	24	15
183831-74750	24	32
183831-74950	24	34
183834-07800	25	10
183834-74050	24	7
183834-74500	24	3
183834-91051	25	3
183834-91900	25	25
183834-95501	25	28
183834-95810	25	34
183834-95820	25	39
183840-07520	22	17
183840-74150	11	45
183840-74200	24	10
183840-74290	24	14
183840-74351	24	24
183841-07520	22	19
183841-74200	24	12
183841-74290	24	16
183841-74351	24	25
183844-07750	22	23
183844-74050	24	8
183844-74500	24	4
183844-91051	25	4
183882-92350	22	25
183884-07400	25	7
183884-95830	25	42
183888-95250	12	34
		25
183896-91090	12	20
		25
183920-91320	12	23
		25
183925-55150	18	12
183925-91990	12	27
		25
183976-91080	12	19
		25
183976-91090	12	21
		25
22137-060000	2	31
22137-080000	7	22
22137-160000	17	20

Parts No. Index

Parts No.	Fig. No.	Ref. No.
22217-060000	11	53
	24	35
22217-080000	11	54
22217-100000	24	36
22252-000130	4	48
22252-000160	4	49
22252-000190	17	34
22312-080120	1	10
	14	9
22360-060000	5	23
	18	23
22372-080000	7	10
22512-040120	4	26
22512-040160	4	27
	17	18
22512-040300	17	17
24101-062040	1	13
		21
24101-062050	1	14
		22
24101-062060	14	11
		14
24311-000180	1	28
	13	5
	14	19
	26	4
26023-040082	14	25
26106-060082	8	43
	21	32
26106-060122	5	24
	12	49
	18	24
	21	33
	25	54
26106-060202	2	22
26106-060252	20	27
26106-060352	2	23
	15	18
26106-080302	14	20
26106-080382	3	16
	10	7
	16	14
	23	4
26113-060162	12	50
	25	55
26116-081702	11	55
26116-081902	11	56
26116-082002	11	57
26116-102002	24	37
26116-102152	24	38

Parts No.	Fig. No.	Ref. No.
26117-040257	7	20
	20	19
26216-080182	2	19
	15	15
26226-080182	15	15 -1
26347-060002	7	23
	20	22
26366-060002	3	8
	7	27
	16	7
26366-080002	3	17
		18
	10	8
	16	15
		16
	23	5
26367-060002	8	37
26376-100002	10	9
	23	6
26476-060122	8	22
		23
26476-060142	1	32
	7	30
	8	24
	14	26
	20	30
	21	16
		17
		18
26476-060252	1	29
	21	10
26476-060302	1	30
	8	14
26557-040082	11	58
	24	39
26737-160002	17	19
26753-060002	12	51
	25	56
26756-040002	12	52
26757-040002	25	57
26757-060002	7	24
	20	23
27310-060001	2	30
28110-100120	9	4
	22	4
29311-122000	12	12
	25	50
29610-000650	8	15
	21	11
29610-000950	8	16

Parts No.	Fig. No.	Ref. No.
29610-000950	21	12
720380-11570	15	24
760590-22501	4	34
760590-23700	4	50
760590-92600	13	1
760594-21700	4	18
760597-01500	1	17
760597-01560	1	1
760690-22501	4	35
760690-23700	4	51
760690-92600	13	2
760694-01500	1	18
760694-21700	4	19
760697-01560	1	2
760698-01641	1	3
760698-22500	4	36
760698-92600	13	3
760790-22502	17	25
760790-23700	17	35
760790-92600	26	1
760797-01560	14	1
760797-01580	14	2
760797-21700	17	13
760798-22500	17	26
760890-92600	26	2
760994-01500	14	12
783731-55710-1	5	1
783831-55710-1	18	1

Parts No.	Fig. No.	Ref. No.
-----------	----------	----------