

OCD10-M48602EN

P R E F A C E

1. This parts catalog is the last edition of 3TNE74-DG, 3TNE74-DGD for DENYO CO.,LTD.

Pub.No. : 0CD10-G48602
Published : August, 2009

2. Model name

Engine model	Vehicle	Vehicle made by
3TNE74-DG 3TNE74-DGD	GENERATOR	DENYO CO.,LTD

Directions for the Parts Catalog.

1. This Parts Catalog shows both standard and optional parts.
2. Parts may change without prior notice.
3. The following is an example of the Parts Catalog format.

REF.	LEV.	PARTS NO.	DESCRIPTION	Q'TY						I	R
				(A)	(B)	(C)	(D)	(E)	(F)		
1	1	729595-51390	FUEL INJECTION PUMP	1	1	1	1	1			1
1-1	1	729595-51391	FUEL INJECTION PUMP	1	1	1	1	1		N	1
		(A=E00185) (B=E00200)									
3	2	26022-060162	SCREW M 6X 16	9	9	9	9	9			
3-1	2	26022-060162	SCREW M 6X 16	4	4	4	4	4		K	
		(A=E00156) (B=E00156) (C=E00156) (D=E00156) (E=E00156)									
4	2	129470-51040	CAMSHAFT	1	1	1	1	1			
5	2	122710-51050	BEARING, ROLLER	2	2	2	2	2			
6	2	129470-51060	RETAINER	1	1	1	1	1			

Remarks
(1) BOOST COMPEMSATOR TYPE. OPTIONAL PART, TO E00155,(4JH-DT, 4JH-DTZ

① Ref. No.

The Ref. No. listed may not be in accordance with the illustration Ref. No.

(Ex.) Illustration No.

List Ref No.

1

1

(Before change)

1-1

(After change)

For interchangeable symbols N, R and K, illustrations for new parts may be abbreviated.

② Lev. (Level)

Level indication

The numbers below indicate the level of relativity towards the main part.

1 ----- Main parts (Assembly parts)

2 ----- Sub component included in " 1 ".

3 ----- Sub component included in " 2 ".

Note) Parts that are not for sale are partially illustrated but not listed.

③ Interchangeability Symbol

When a part change takes place, one of the following interchangeability symbols is indicated beside the part.

Symbol	Interchangeability	Contents note
N	Old $\begin{matrix} \leftarrow \text{Yes} \\ \text{No} \rightarrow \end{matrix}$ New	New Part is interchangeable for Old Part but Old Part is not interchangeable for New Part.
Q	Old $\begin{matrix} \leftarrow \text{No} \\ \text{Yes} \rightarrow \end{matrix}$ New	New Part is not interchangeable for Old Part but Old Part is interchangeable for New Part.
R	Old $\begin{matrix} \leftarrow \text{Yes} \\ \text{Yes} \rightarrow \end{matrix}$ New	New/ Old Parts are both interchangeable.
S	Old $\begin{matrix} \leftarrow \text{No} \\ \text{No} \rightarrow \end{matrix}$ New	New/ Old Parts are both not interchangeable.
W		Part newly added.
Z		Part discontinued.
F		Not interchangeable by a single part but interchangeable together with related parts.
K		Changes only for used parts quantities.

④ Effective Machine No.

When a part changes, the effective Machine No. will be indicated in the (A)-(F) column.

Product Symbol	Product No.	Product Symbol	Product No.
C	Clutch No. Compressor No.	F	Machine No. (Agricultural Equip.)
D	Drive No.	M	Machine No.
E	Engine No.		

Note 1) A date may follow the symbol. (Ex.) 1996.01

Note 2) "XXXXX" and "ZZZZZ" are for parts that could not be predicted or for engine models that could not be identified.

Note 3) (A=E00185) is the E (Engine Serial Number) for the column (A) model (in this case 4JH-DT) after the parts design change.

⑤ Remarks

Figures or alphabets (symbols) are entered in the remarks column.

The comments (remarks) on parts that are indicated at the bottom of the illustration are the same symbols as those stated above.

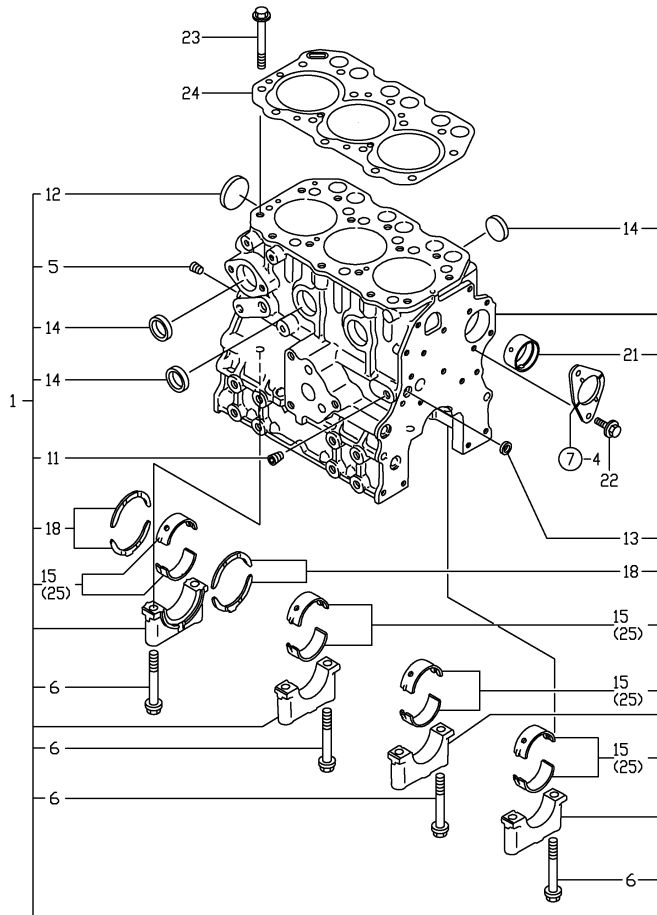
Contents

Fig. No.	Fig. Name	Fig. No.	Fig. Name
3TNE74-DG,DGD			
1.	CYLINDER BLOCK		
2.	GEAR HOUSING		
3.	FLYWHEEL HOUSING & OIL SUMP		
4.	CYLINDER HEAD & BONNET		
5.	SUCTION MANIFOLD & AIR CLEANER		
6.	EXHAUST MANIFOLD		
7.	CAMSHAFT & DRIVING GEAR		
8.	CRANKSHAFT & PISTON		
9.	LUB. OIL SYSTEM		
10.	COOLING WATER SYSTEM(-DG)		
11.	FUEL INJECTION PUMP		
12.	GOVERNOR(-DG)		
13.	FUEL INJECTION VALVE		
14.	FUEL LINE		
15.	STARTING MOTOR, PREVIOUS		
16.	GENERATOR		
17.	ELECTRIC PARTS		
18.	GASKET SET & TOOL		
19.	COOLING WATER SYSTEM(-DGD)		
20.	GOVERNOR(-DGD)		
21.	STARTING MOTOR, NEW		

Fig.1. CYLINDER BLOCK

(A)=3TNE74-DG
(B)=3TNE74-DGD
(C)=

(D)=
(E)=
(F)=



No.	Lev.	Parts No.	Description	Q'ty						I	R
				(A)	(B)	(C)	(D)	(E)	(F)		
1	1	719623-01560	BLOCK ASSY, CYLINDER	1	1						
5	2	119600-01050	PLUG, PT1/4	1	1						
6	2	119620-02020	BOLT, METAL CAP	8	8						
11	2	23871-010000	PLUG, R01	1	1						
11-1	2	23876-010000	PLUG, R01	1	1						N
		(A=*1999.05) (B=*1999.05)									
12	2	27231-450000	PLUG 45	1	1						
12-1	2	119623-01250	PLUG, 45	1	1						N
		(A=*2008.04) (B=*2008.04)									
13	2	27241-120000	PLUG, 12	1	1						
14	2	27241-300000	PLUG 30	6	6						
15	2	719620-02800	BEARING, MAIN	4	4						
18	2	719620-02930	BEARING, THRUST	2	2						
21	2	119620-02410	BUSH, CAMSHAFT	1	1						
21-1	2	119624-02410	BUSH	1	1						N
		(A=*1997.09) (B=*1997.09)									
22	1	26106-060122	BOLT, M6X 12 PLATED	2	2						
23	1	119620-01200	BOLT, HEAD	14	14						
24	1	119623-01330	GASKET, HEAD	1	1						G
24-1	1	119623-01340	GASKET, HEAD	1	1						N G
		(A=*1999.08) (B=*1999.08)									
25	1	719620-02870	BEARING, 0.25 US	4	4						1

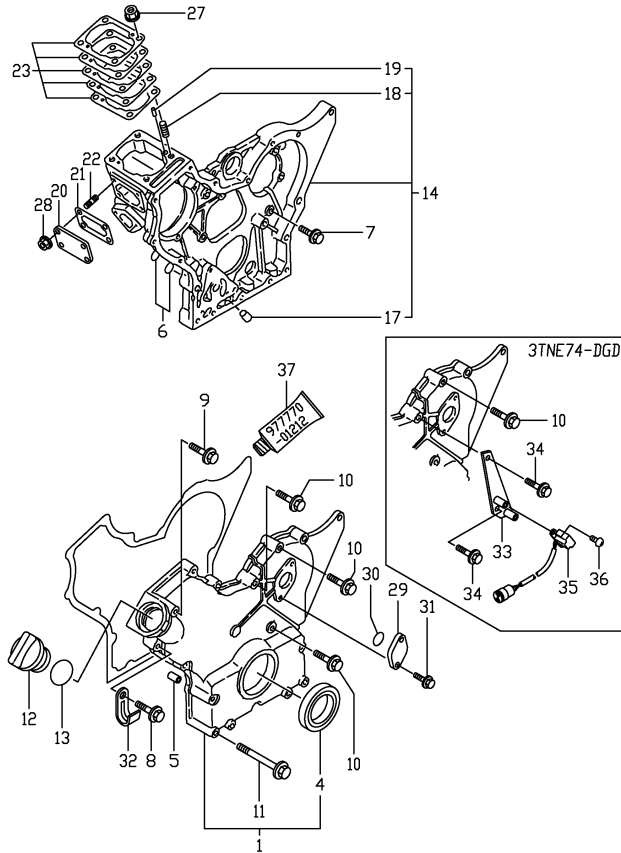
Remarks

(1) UNDER-SIZE (U.S=0.25) PART.
(G) THESE PARTS ARE SOLD BY FIG.18,
REF.NO.1,1-1,1-2.

Fig.2. GEAR HOUSING

(A)=3TNE74-DG
(B)=3TNE74-DGD
(C)=

(D)=
(E)=
(F)=



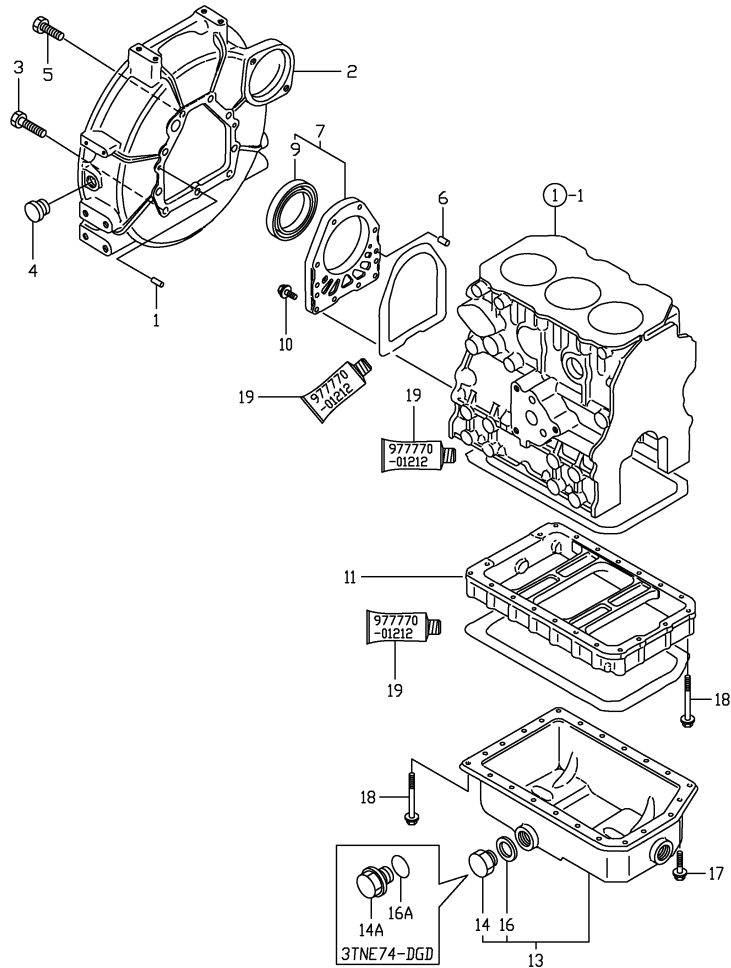
No.	Lev.	Parts No.	Description	Q'ty						I	R
				(A)	(B)	(C)	(D)	(E)	(F)		
1	1	119610-01590	COVER ASSY,GEAR CASE	1	1						
4	2	119620-01800	SEAL, OIL	1	1						
5	1	119660-01911	PIPE, KNOCK	4	4						
6	1	24311-000120	O-RING, 1AP12.0	2	2						G
6-1	1	119624-32040	O-RING, P12.0	2	2						N G
		(A=*1998.11) (B=*1998.11)									
7	1	26106-060162	BOLT, M6X 16 PLATED	7	7						
8	1	26106-060302	BOLT, M6X 30 PLATED	8	8						
9	1	26106-060602	BOLT, M6X 60 PLATED	1	1						
10	1	26106-060602	BOLT, M6X 60 PLATED	3	1						
11	1	26106-060802	BOLT, M6X 80 PLATED	6	6						
12	1	124160-01751	COVER, FILLER	1	1						
13	1	24311-000320	O-RING, 1AP32.0	1	1						G
14	1	119610-01490	CASE ASSY, GEAR	1	1						
17	2	119660-01510	PLUG, 10X14	1	1						
18	2	121450-01560	STUD, M8X22	4	4						
19	2	22351-040010	PIN, SPRING 4.0X10	2	2						
20	1	119660-01551	COVER	1	1						
21	1	119660-01562	GASKET	1	1						G
22	1	119660-01570	STUD, M6X12	4	4						
23	1	119620-01950	SHIM SET, ADJUSTING	1							
23-1	1	119623-01950	SHIM SET, ADJUSTING	1	1						N
		(A=E11626)									
27	1	194990-22050	NUT, M8	4	4						
28	1	26366-060002	NUT, M6	4	4						
29	1	121023-01550	COVER	1	1						
29-1	1	121023-01551	COVER	1	1						N
		(A=*2005.08) (B=*2005.08)									
30	1	24341-000240	O-RING, 1AS24.0	1	1						N G
		(A=EXXXXX) (B=EXXXXX)									
31	1	26106-060182	BOLT, M6X 18 PLATED	2	2						
31-1	1	26106-060162	BOLT, M6X 16 PLATED	2	2						N
		(A=EXXXXX) (B=EXXXXX)									
32	1	194440-51630	CLAMP, HARNESS		1						
33	1	119649-78510	BRACKET, PULSAR		1						
34	1	26106-060652	BOLT, M6X 65 PLATED		2						
35	1	119649-78500	PULSAR		1						
36	1	26557-040082	SCREW, M4X 8		2						
37	1	977770-01212	GASKET, LIQUID	1	1						1

Remarks
(G) THESE PARTS ARE SOLD BY FIG.18,
REF.NO.1,1-1,1-2.
(1) OPTIONAL PART.

Fig.3. FLYWHEEL HOUSING & OIL SUMP

(A)=3TNE74-DG
(B)=3TNE74-DGD
(C)=

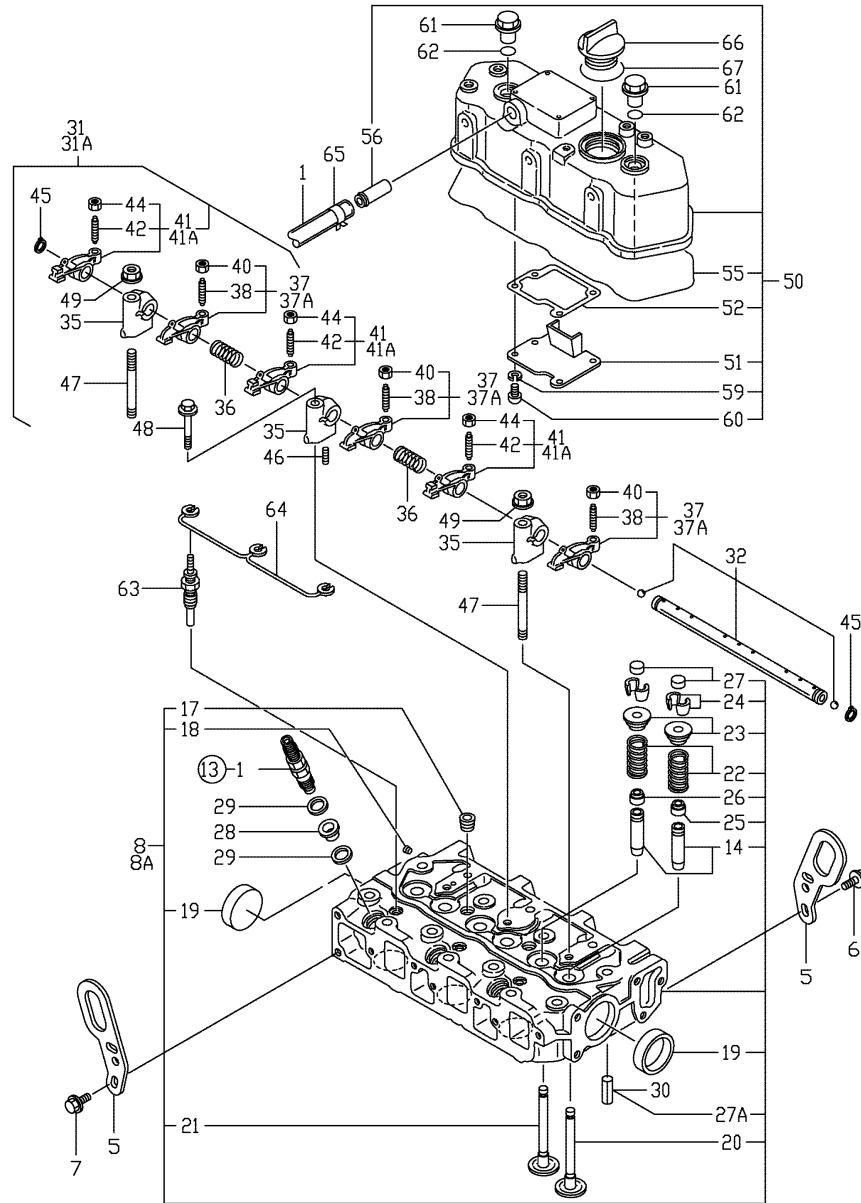
(D)=
(E)=
(F)=



No.	Lev.	Parts No.	Description	Q'ty						I	R
				(A)	(B)	(C)	(D)	(E)	(F)		
1	1	129100-01580	PIN, M8X16	2	2						
2	1	119600-01600	HOUSING, FLYWHEEL	1	1						
3	1	121120-01620	BOLT, M10X28	3	3						
3-1	1	26206-100302	BOLT, M10X 30 PLATED	3	3						N
		(A=*2009.02) (B=*2009.02)									
4	1	119620-01750	CAP	1	1						
5	1	26206-100252	BOLT, M10X 25 PLATED	6	6						
6	1	119620-01620	PIN, M6X10	2	2						
7	1	119660-01640	CASE ASSY, OIL SEAL	1	1						
9	2	124085-02220	SEAL, OIL	1	1						
10	1	26106-060222	BOLT, M6X 22 PLATED	10	10						
11	1	119600-01722	SPACER, OIL SUMP	1	1						
13	1	119600-01770	SUMP ASSY, OIL	1	1						
13-1	1	119623-01770	SUMP ASSY, OIL	1							N
		(A=E10456)									
14	2	119640-01640	PLUG, DRAIN M22	1							
14-1	2	119640-01640	PLUG, DRAIN M22	2							K
		(A=FROM 1ST)									
14A	2	171301-01640	PLUG, 22		2						
16	2	22190-220002	WASHER, SEAL 22	1							G
16-1	2	22190-220002	WASHER, SEAL 22	2							K G
		(A=FROM 1ST)									
16A	2	24341-000250	O-RING, 1AS25.0		2						G
17	1	26106-060122	BOLT, M6X 12 PLATED	3	3						
18	1	26106-060452	BOLT, M6X 45 PLATED	20	20						
19	1	977770-01212	GASKET, LIQUID	1	1						1

Remarks
(G) THESE PARTS ARE SOLD BY FIG.18,
REF.NO.1,1-1,1-2.
(1) OPTIONAL PART.

Fig.4. CYLINDER HEAD & BONNET



(A)=3TNE74-DG
(B)=3TNE74-DGD
(C)=

(D)=
(E)=
(F)=

No.	Lev.	Parts No.	Description	Q'ty						I	R
				(A)	(B)	(C)	(D)	(E)	(F)		
1	1	119642-03140	PIPE , BREATHER	1	1						
5	1	119260-07900	LIFTER	2	2						
6	1	26106-080142	BOLT, M8X 14 PLATED	1	1						
7	1	26106-080142	BOLT, M8X 14 PLATED	2	2						
8	1	719623-11710	HEAD ASSY, CYLINDER	1							
8A	1	719623-11700	HEAD ASSY, CYLINDER		1						
14	2	119620-11801	GUIDE, VALVE	6	6						1
17	2	121850-11860	PLUG, PT1/4	2	2						
18	2	27221-050080	PLUG, 5X 8	1	1						
19	2	27241-400000	PLUG, 40	2	2						
20	2	119623-11100	VALVE, INTAKE	3	3						
21	2	119620-11110	VALVE, EXHAUST	3	3						
22	2	119620-11120	SPRING, VALVE	6	6						
23	2	119620-11180	RETAINER, SPRING	6	6						
24	2	101158-11190	COTTER	6							
24-1	2	27310-070001	COTTER, 7	6	6						N
(A=EXXXXX)											
25	2	124160-11340	SEAL, VALVE STEM	3	3						G
26	2	124950-11340	SEAL, VALVE STEM	3	3						G
27	2	104211-11370	CAP, VALVE	6	6						
27A	2	22351-060012	PIN, SPRING 6.0X12		2						
28	1	119600-11450	PROTECTOR, NOZZLE	3	3						G
29	1	119600-11460	GASKET, NOZZLE	6	6						G
30	1	22351-060012	PIN, SPRING 6.0X12	2							
31	1	119620-11200	SUPPORT ASSY, ARM	1							
31A	1	119789-11200	SUPPORT ASSY, ARM		1						
32	2	119620-11240	SHAFT ASSY, ROCKER	1	1						
35	2	119620-11260	SUPPORT, ROCKER ARM	3	3						
36	2	119620-11280	SPRING	2	2						
37	2	719620-11650	ARM ASSY, ROCKER	3							
37A	2	719789-11650	ARM ASSY, ROCKER		3						
38	3	105010-11230	SCREW, VALVE ADJUST	3	3						
40	3	26756-060002	NUT, LOCK M6	3	3						
41	2	719620-11660	ARM ASSY, ROCKER	3							
41A	2	719789-11660	ARM ASSY, ROCKER		3						
42	3	105010-11230	SCREW, VALVE ADJUST	3	3						
44	3	26756-060002	NUT, LOCK M6	3	3						
45	2	22242-000120	RING, 12	2	2						
46	2	26979-050162	SCREW, M5X16	1	1						
47	1	119620-11350	STUD	2	2						
48	1	26106-080452	BOLT, M8X 45 PLATED	1	1						
49	1	26366-080002	NUT, M8	2	2						
50	1	119620-11330	BONNET ASSY, HEAD	1	1						
51	2	119620-03020	PLATE, SHELTER	1	1						
52	2	119620-03031	GASKET	1	1						G
55	2	119620-11310	GASKET, BONNET	1	1						G
56	2	119620-11390	JOINT	1	1						
59	2	22217-050000	WASHER, SPRING 5	4	4						
60	2	26557-050102	SCREW, M5X10	4	4						
61	1	124160-11360	KNOB	2	2						
62	1	24311-000120	O-RING, 1AP12.0	2	2						G

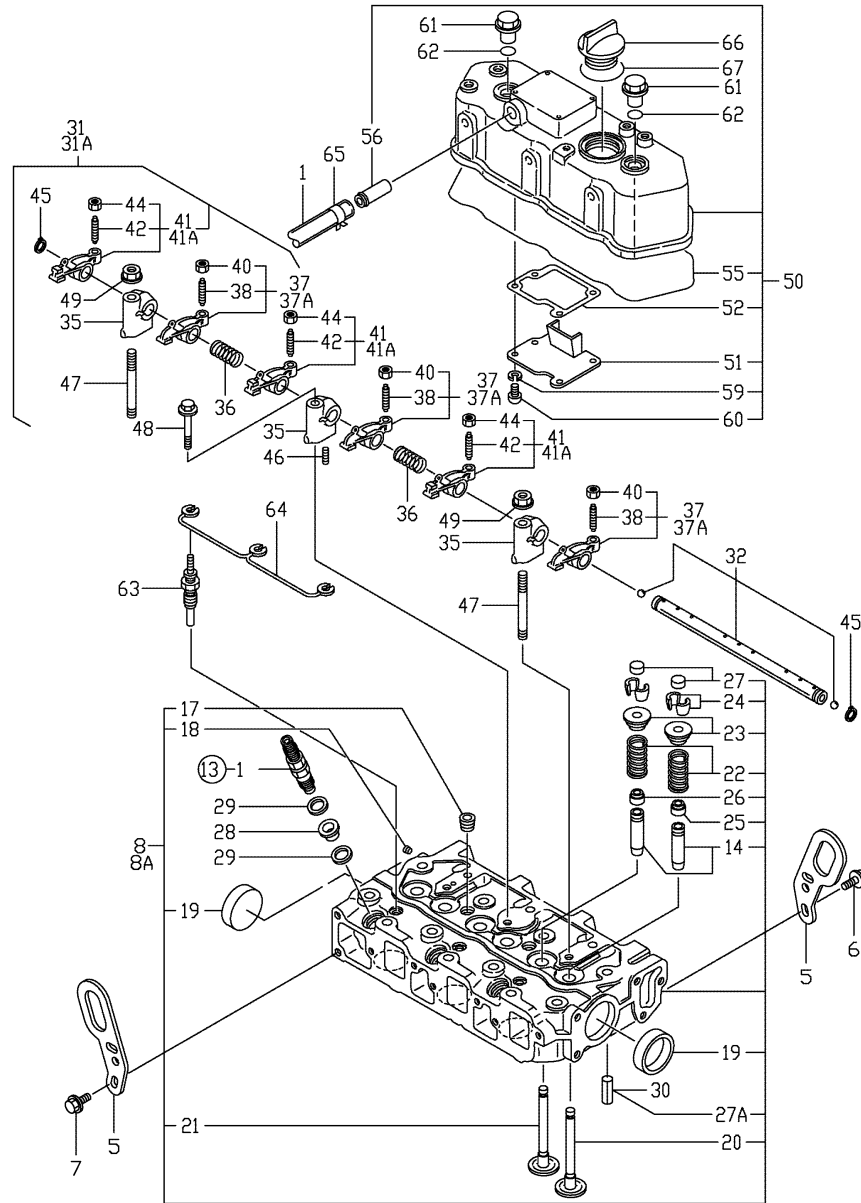
Remarks

- (1) REPAIR PART.
- (G) THESE PARTS ARE SOLD BY FIG.18, REF.NO.1,1-1,1-2.

Fig.4. CYLINDER HEAD & BONNET

(A)=3TNE74-DG
 (B)=3TNE74-DGD
 (C)=

(D)=
 (E)=
 (F)=



No.	Lev.	Parts No.	Description	Q'ty						I	R
				(A)	(B)	(C)	(D)	(E)	(F)		
63	1	129795-77800	PLUG, GLOW	3	3						
64	1	119620-77820	CONNECTOR, GLOW PLUG	1	1						
65	1	171008-03990	CLIP, HOSE 18.5	2	2						
66	1	124160-01751	COVER, FILLER	1	1						
67	1	24311-000320	O-RING, 1AP32.0	1	1						

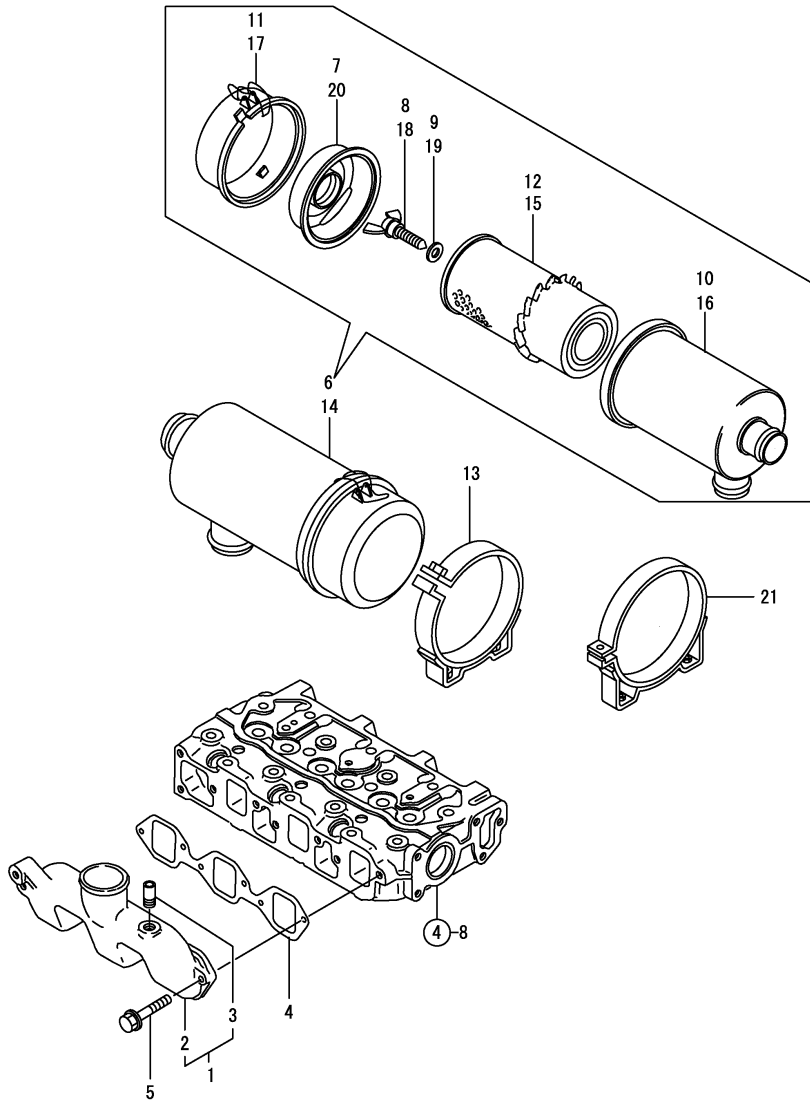
Remarks
 (1) REPAIR PART.
 (G) THESE PARTS ARE SOLD BY FIG.18,
 REF.NO.1,1-1,1-2.

Fig.5. SUCTION MANIFOLD & AIR CLEANER

(A)=3TNE74-DG
(B)=3TNE74-DGD
(C)=

(D)=
(E)=
(F)=

No.	Lev.	Parts No.	Description	Q'ty						I	R
				(A)	(B)	(C)	(D)	(E)	(F)		
1	1	119642-12100	MANIFOLD ASSY,INTAKE	1	1						
2	2	119642-12110	MANIFOLD, AIR INTAKE	1	1						
3	2	104207-44480	JOINT	1	1						
4	1	119620-12111	GASKET, MANIFOLD	1	1						G
5	1	26106-060202	BOLT, M6X 20 PLATED	6	6						
6	1	129350-12500	CLEANER ASSY, AIR	1							
6-1	1	129350-12501	CLEANER ASSY, AIR	1							R
		(A=*2001.12)									
7	2	129350-12540	BAFFLE ASSY	1							
7-1	2	121120-12541	RETAINER, ELEMENT	1							S
		(A=*2001.12)									
8	2	121120-12560	BOLT	1							
8-1	2	121120-12561	BOLT	1							S
		(A=*2001.12)									
9	2	121120-12570	WASHER, SEAL	1							
9-1	2	121120-12571	WASHER, SEAL	1							S
		(A=*2001.12)									
10	2	129350-12520	BODY, AIR CLEANER	1							
10-1	2	129350-12650	CASE ASSY, CLEANER	1							S
		(A=*2001.12)									
11	2	129350-12530	PAN ASSY, DUST	1							
11-1	2	129350-12660	PAN ASSY, DUST	1							S
		(A=*2001.12)									
12	2	124750-12510	ELEMENT	1							
12-1	2	129350-12900	ELEMENT	1							S
		(A=*2001.12)									
13	1	170903-12560	BAND, AIR CLEANER	1							
14	1	171033-12500	CLEANER ASSY, AIR		1						
14-1	1	171033-12501	CLEANER ASSY, AIR		1						
		(A=*2001.12)									
15	2	171033-12510	ELEMENT		1						
16	2	171033-12540	CASE ASSY, CLEANER		1						
17	2	171033-12560	PAN ASSY, DUST		1						
18	2	124064-12680	BOLT		1						
19	2	124064-12690	WASHER		1						
20	2	121465-12700	RETAINER, ELEMENT		1						
21	1	171126-12580	BAND, AIR CLEANER		1						

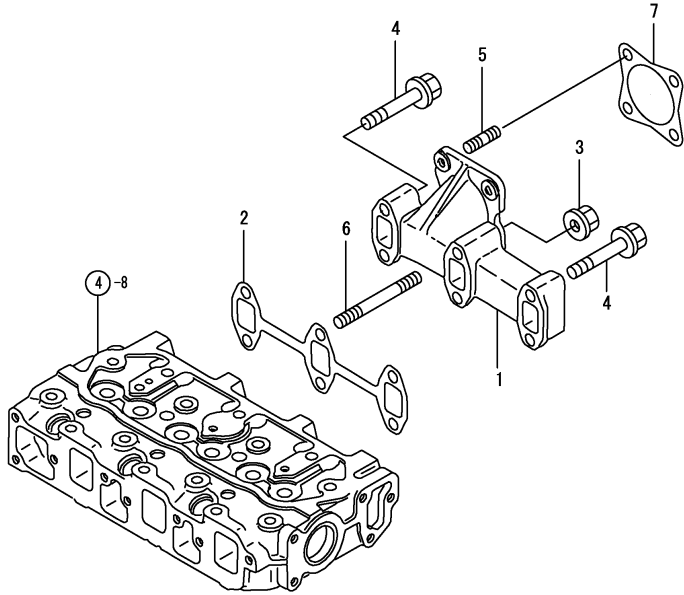


Remarks
(G)THESE PARTS ARE SOLD BY FIG.18,
REF.NO.1,1-1,1-2.

Fig.6. EXHAUST MANIFOLD

(A)=3TNE74-DG
 (B)=3TNE74-DGD
 (C)=

(D)=
 (E)=
 (F)=



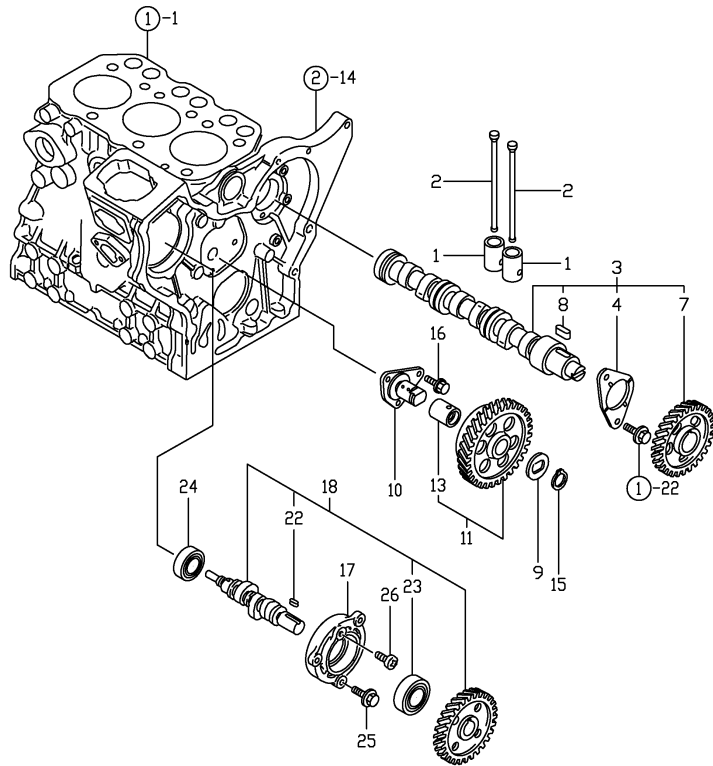
No.	Lev.	Parts No.	Description	Q'ty						I	R
				(A)	(B)	(C)	(D)	(E)	(F)		
1	1	119600-13100	MANIFOLD, EXHAUST	1	1						
2	1	119620-13110	GASKET	1	1						G
3	1	194990-22050	NUT, M8	2	2						
4	1	26106-080402	BOLT, M8X 40 PLATED	4	4						
4-1	1	119802-13600	BOLT, M8X40	4	4						N
		(A=*2002.06) (B=*2002.06)									
5	1	26216-080222	STUD, M8X 22	4	4						
5-1	1	119131-18320	STUD, M8X22	4	4						N
		(A=*1997.10) (B=*1997.10)									
6	1	26216-080552	STUD, M8X 55	2	2						
6-1	1	129054-13210	STUD, M8X55	2	2						N
		(A=*2002.06) (B=*2002.06)									
7	1	121000-13201	GASKET, SILENCER	1	1						G

Remarks
 (G)THESE PARTS ARE SOLD BY FIG.18,
 REF.NO.1,1-1,1-2.

Fig.7. CAMSHAFT & DRIVING GEAR

(A)=3TNE74-DG
 (B)=3TNE74-DGD
 (C)=

(D)=
 (E)=
 (F)=



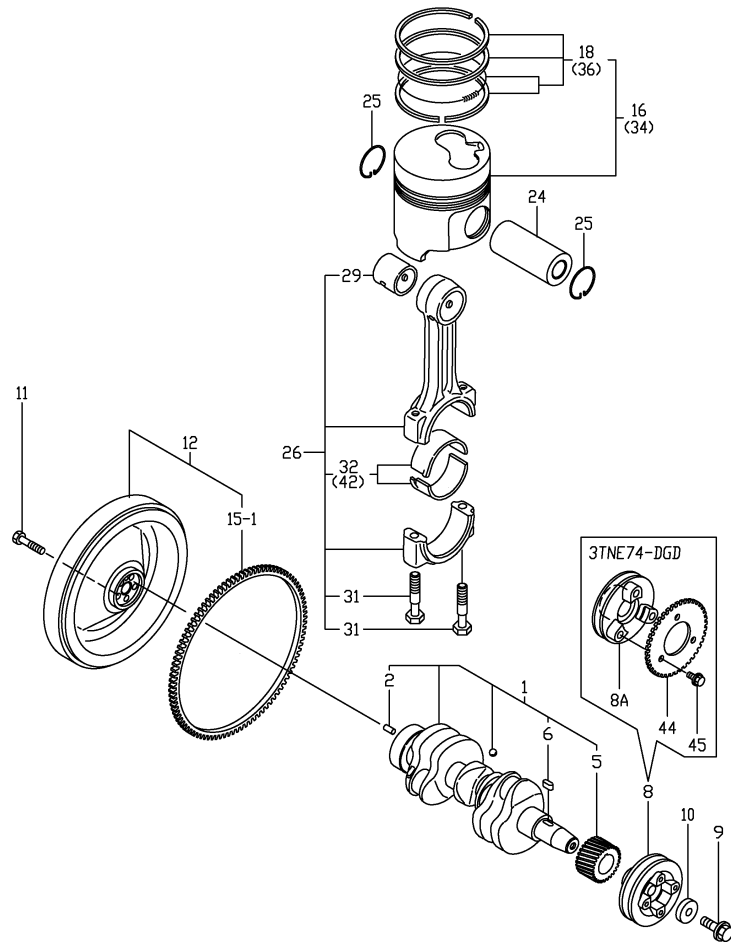
No.	Lev.	Parts No.	Description	Q'ty						I	R
				(A)	(B)	(C)	(D)	(E)	(F)		
1	1	119620-14200	TAPPET	6	6						
2	1	119620-14401	ROD, PUSH	6	6						
3	1	119629-14580	CAMSHAFT ASSY	1	1						
4	2	119620-02450	BEARING, THRUST	1	1						
7	2	119620-14100	GEAR, CAMSHAFT	1	1						
8	2	22512-040120	KEY, 4X 12	1	1						
9	1	119660-25022	RETAINER	1	1						
10	1	119660-25052	SHAFT, IDLE	1	1						
11	1	119620-25102	GEAR ASSY, IDLE	1	1						
13	2	119620-25912	BUSH	1	1						1
15	1	22242-000200	RING, 20	1	1						
16	1	26106-060122	BOLT, M6X 12 PLATED	3	3						
17	1	119660-01821	BEARING, FUEL CAM	1	1						
18	1	719660-14590	CAMSHAFT	1	1						
22	2	22512-040120	KEY, 4X 12	1	1						
23	2	24102-063034	BEARING, BALL 6303U	1	1						
24	1	24101-062034	BEARING, BALL 6203	1	1						
25	1	26106-060162	BOLT, M6X 16 PLATED	3	3						
26	1	26587-080102	SCREW, M8X10	1	1						

Remarks
 (1) REPAIR PART.

Fig.8. CRANKSHAFT & PISTON

(A)=3TNE74-DG
 (B)=3TNE74-DGD
 (C)=

(D)=
 (E)=
 (F)=



No.	Lev.	Parts No.	Description	Q'ty						I	R
				(A)	(B)	(C)	(D)	(E)	(F)		
1	1	119623-21700	CRANKSHAFT ASSY	1	1						
2	2	129100-01580	PIN, M8X16	1	1						
5	2	119644-21200	GEAR, CRANKSHAFT	1	1						
6	2	22512-040120	KEY, 4X 12	1	1						
8	1	119660-21651	V-PULLEY	1							
8A	1	119649-21650	V-PULLEY		1						
8A-1	1	119653-21660	V-PULLEY		1						N
		(B=*1998.10)									
9	1	119621-21680	BOLT, FLANGE 12X1.25	1	1						
9-1	1	119621-21681	BOLT, FLANGE 12X1.25	1	1						N
		(A=*1998.10) (B=*1998.10)									
10	1	119620-21941	WASHER	1	1						
11	1	121111-21501	BOLT, FLYWHEEL	5	5						
12	1	119643-21590	FLYWHEEL ASSY	1	1						
15	2	119865-21600	GEAR, RING	1	1						
16	1	119623-22080	PISTON ASSY	3	3						
18	2	119623-22500	RING SET, PISTON	3	3						
24	1	114350-22301	PIN, PISTON D=21	3	3						
24-1	1	114399-22300	PIN, PISTON D=21	3	3						N
		(A=*2000.01) (B=*2000.01)									
25	1	22252-000210	RING, 21	6	6						
26	1	719620-23100	ROD ASSY, CONNECTING	3	3						
29	2	119620-23910	BEARING, PISTON PIN	3	3						1
31	2	105225-23200	BOLT, CONNECTING ROD	6	6						
32	2	719620-23600	BEARING, CRANK PIN	3	3						
34	1	119623-22900	PISTON ASSY, 0.25 OS	3	3						2
36	2	119623-22950	RING SET, 0.25 OS	3	3						2
42	1	719620-23610	BEARING ASSY, 0.25	3	3						3
44	1	119649-78650	GEAR, PULSAR		1						
45	1	26106-100142	BOLT, M10X 14 PLATED		3						

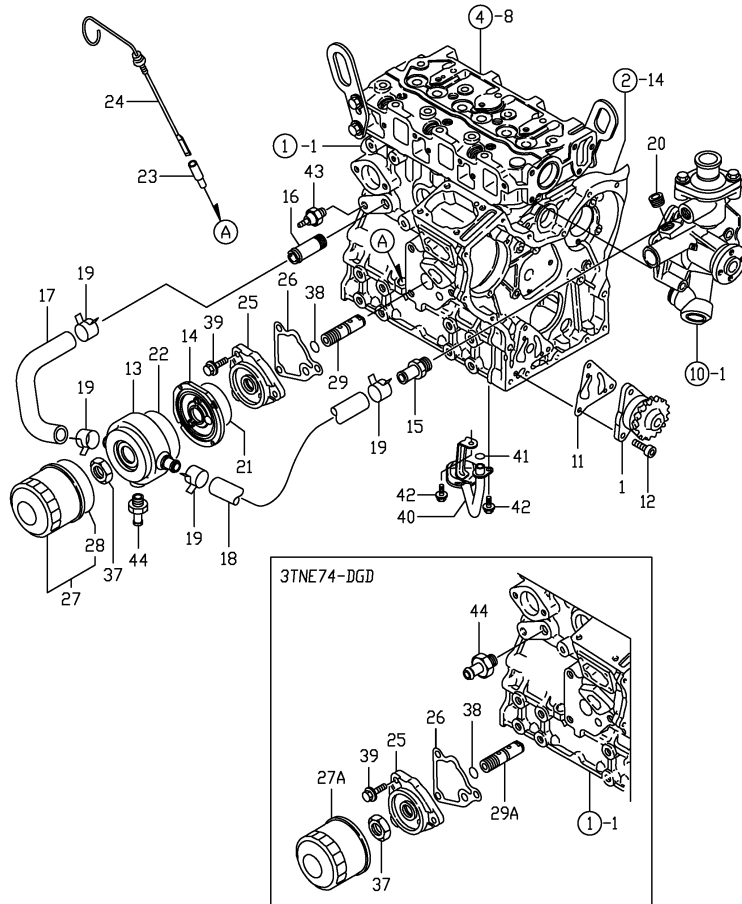
Remarks

- (1) REPAIR PART.
- (2) OVER-SIZE(O.S=0.25)PART.
- (3) UNDER-SIZE(U.S=0.25)PART.

Fig.9. LUB. OIL SYSTEM

(A)=3TNE74-DG
(B)=3TNE74-DGD
(C)=

(D)=
(E)=
(F)=

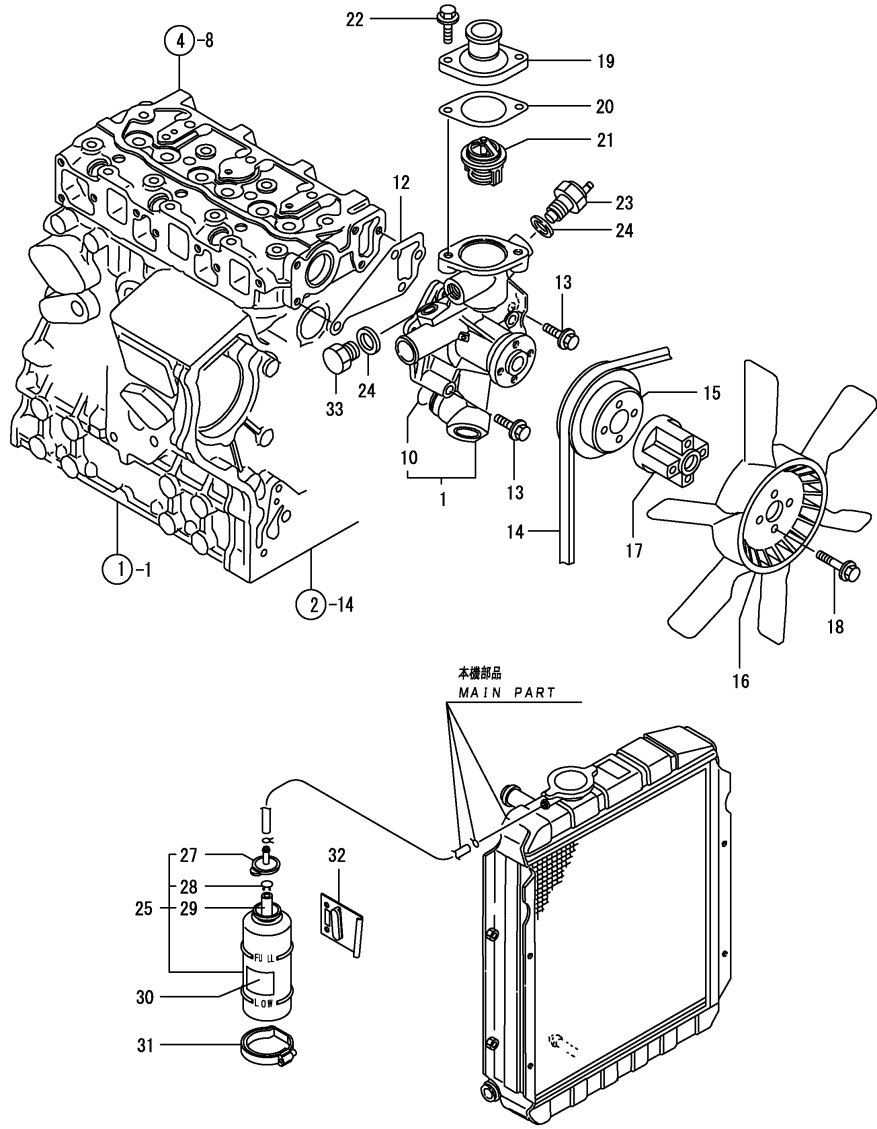


No.	Lev.	Parts No.	Description	Q'ty						I	R
				(A)	(B)	(C)	(D)	(E)	(F)		
1	1	119660-32001	PUMP ASSY, OIL	1	1						
11	1	119660-32020	GASKET, PUMP	1	1						G
12	1	26450-060202	BOLT, M6X 20	3	3						
13	1	119642-33030	COOLER, OIL	1							
14	1	119642-33100	BRACKET, COOLER	1							
15	1	119265-44400	JOINT, PIPE	1							
16	1	129122-44480	JOINT	1							
17	1	119642-49030	PIPE, WATER	1							
18	1	129403-49050	PIPE, WATER	1							
18-1	1	129403-49060	PIPE ASSY, WATER	1							N
		(A=*)									
19	1	23000-022000	CLAMP, 22	4							
20	1	23871-030000	PLUG, R03	1							
20-1	1	23876-030000	PLUG, R03	1							N
		(A=*1999.04)									
21	1	24321-000600	O-RING, 1AG60.0	1							
22	1	24321-000700	O-RING, 1AG70.0	1							
23	1	121520-34810	GUIDE, DIPSTICK	1	1						
24	1	119623-34820	DIPSTICK, OIL	1	1						
24-1	1	119623-34830	DIPSTICK, OIL	1							N
		(A=E10456)									
25	1	119660-35102	BRACKET, FILTER	1	1						
26	1	119660-35113	GASKET	1	1						G
27	1	119660-35150	FILTER, LUB. OIL	1							
27-1	1	119305-35151	FILTER ASSY, D68XL65	1							N
		(A=*)									
27A	1	119305-35150	FILTER, OIL		1						
27A-1	1	119305-35151	FILTER ASSY, D68XL65		1						N
		(B=*)									
28	2	124450-35110	O-RING	1							
29	1	129120-35301	VALVE ASSY	1							
29-1	1	119623-35300	VALVE ASSY, CONTROL	1							S
		(A=*2001.03)									
29A	1	119660-35300	VALVE ASSY, CONTROL		1						
37	1	129150-35350	NUT	1	1						
38	1	24311-000160	O-RING, 1AP16.0	1	1						
38-1	1	119609-32040	O-RING, P16	1	1						S
		(A=*2001.03) (B=*2001.03)									
39	1	26106-080202	BOLT, M8X 20 PLATED	3	3						
40	1	119600-35091	PIPE ASSY, OIL INLET	1	1						
40-1	1	119623-35090	PIPE ASSY, OIL INLET	1							N
		(A=E10456)									
41	1	24311-000120	O-RING, 1AP12.0	1	1						
42	1	26106-060102	BOLT, M6X 10 PLATED	2	2						
43	1	124160-39450	SWITCH, 0.5KG	1	1						
43-1	1	114250-39450	SWITCH, 0.5KG	1	1						N
		(A=*2005.12) (B=*2005.12)									
44	1	121550-49111	JOINT, PT1/4	1	1						

Remarks

(G)THESE PARTS ARE SOLD BY FIG.18,
REF.NO.1,1-1,1-2.

Fig.10. COOLING WATER SYSTEM(-DG)



(A)=3TNE74-DG
(B)=3TNE74-DGD
(C)=

(D)=
(E)=
(F)=

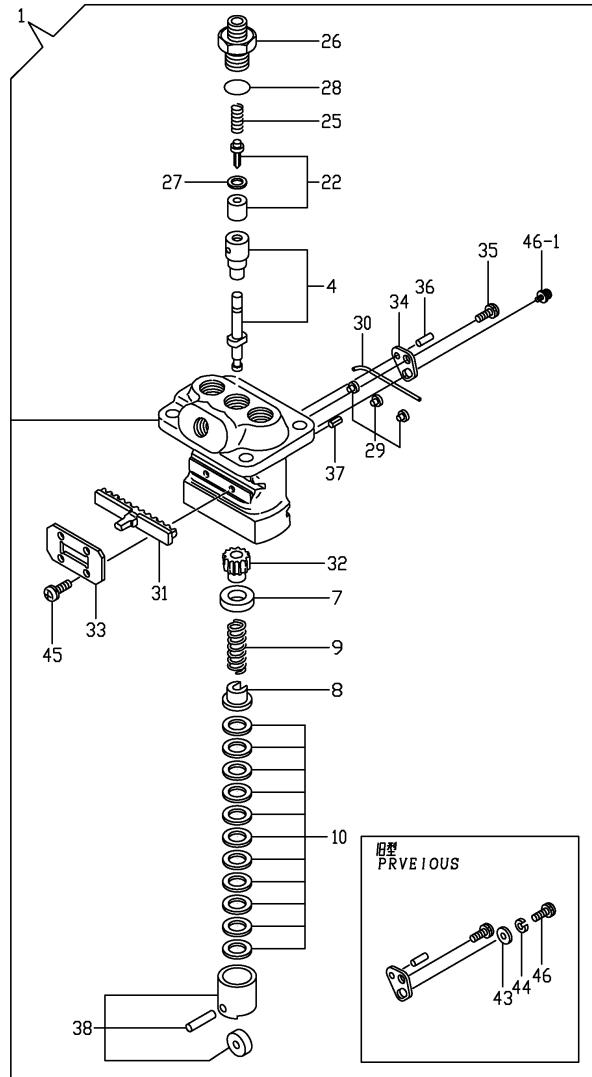
No.	Lev.	Parts No.	Description	Q'ty						I	R
				(A)	(B)	(C)	(D)	(E)	(F)		
1	1	119642-42000	PUMP ASSY, WATER	1							
10	2	119620-42320	O-RING	1							
10-1	2	119609-42320	O-RING	1							N
(A=*2000.06)											
12	1	119620-42020	GASKET, WATER PUMP	1							G
12-1	1	119620-42021	GASKET, WATER PUMP	1							N G
(A=*1999.11)											
13	1	26106-080452	BOLT, M8X 45 PLATED	4							
14	1	119640-42290	V-BELT, FM36.5	1							
15	1	119642-42350	V-PULLEY, D=97	1							
16	1	171037-44740	FAN, COOLING	1							
17	1	119256-44760	SPACER, FAN	1							
18	1	26106-060602	BOLT, M6X 60 PLATED	4							
18-1	1	26106-060552	BOLT, M6X 55 PLATED	4							N
(A=*1996.08)											
19	1	129350-49530	COVER, THERMOSTAT	1							
20	1	129350-49541	GASKET	1							G
21	1	129350-49800	THERMOSTAT, 71	1							
22	1	26106-080202	BOLT, M8X 20 PLATED	2							
23	1	119265-44900	SWITCH, 115	1							
23-1	1	121250-44901	SWITCH, 110	1							N
(A=*)											
24	1	124465-44950	GASKET, 16	1							G
24-1	1	124465-44950	GASKET, 16	2							K G
(A=FROM 1ST)											
25	1	124450-44510	TANK ASSY, SUB	1							
27	2	124450-44530	CAP	1							
28	2	124450-44560	RETAINER	1							
29	2	23061-070230	PIPE, 7X 230	1							
30	1	121470-44540	LABEL, SUB-TANK	1							
31	1	124450-44550	BAND	1							
32	1	121256-44600	BRACKET, SUB TANK	1							
33	1	121450-42450	PLUG, M16	1							W
(A=FROM 1ST)											

Remarks
(G)THESE PARTS ARE SOLD BY FIG.18,
REF.NO.1,1-1,1-2.

Fig.11. FUEL INJECTION PUMP

(A)=3TNE74-DG
(B)=3TNE74-DGD
(C)=

(D)=
(E)=
(F)=

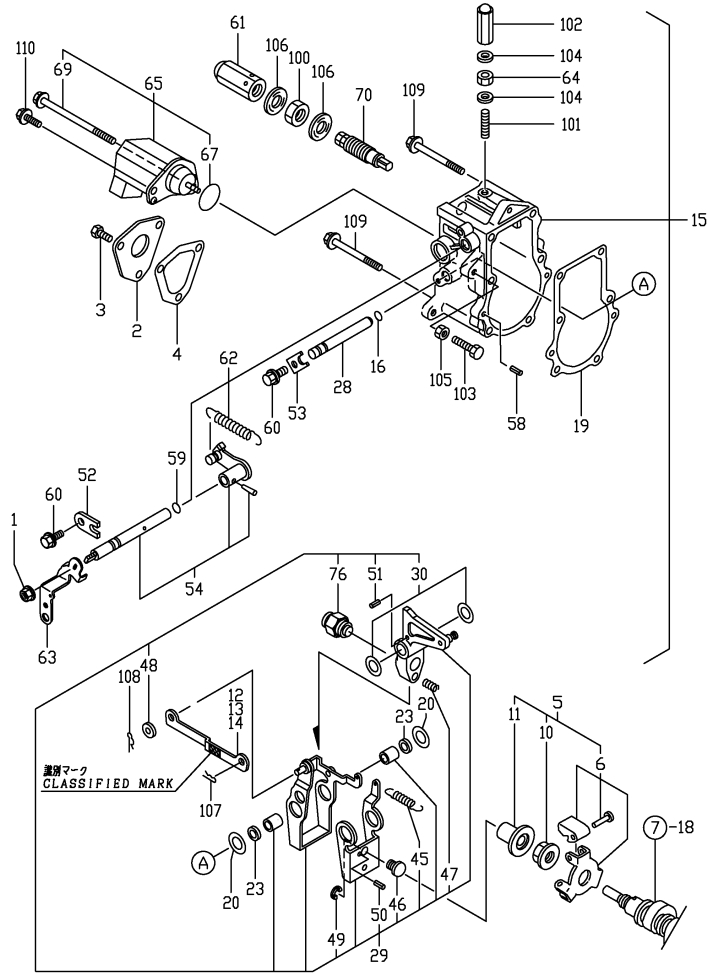


No.	Lev.	Parts No.	Description	Qty						I	R
				(A)	(B)	(C)	(D)	(E)	(F)		
1	1	719621-51100	PUMP ASSY, INJECTION	1	1						
1-1	1	719634-51310	PUMP ASSY, INJECTION	1							S
(A=EXXXXX)											
1-2	1	719789-51310	PUMP ASSY, INJECTION		1						S
(B=EXXXXX)											
4	2	119620-51101	PLUNGER ASSY	3	3						
7	2	119620-51170	RETAINER, SPRING A	3	3						
8	2	119620-51180	RETAINER, SPRING B	3	3						
9	2	119620-51190	SPRING, PLUNGER	3	3						
10	2	119620-51250	SHIM SET	3	3						
22	2	119620-51300	VALVE ASSY, DELIVERY	3	3						
25	2	105546-51330	SPRING, DELIVERY	3	3						
26	2	119620-51340	HOLDER, DELIVERY	3	3						
27	2	119620-51350	GASKET	3	3						
28	2	119620-51370	O-RING	3	3						
28-1	2	24316-000125	O-RING, 4DP12.5	3	3						N
(A=*2006.02) (B=*2006.02)											
29	2	119620-51450	PIECE	3	3						
30	2	119620-51461	PIN	1	1						
31	2	119660-51500	RACK, CONTROL	1	1						
32	2	119620-51510	PINION	3	3						
33	2	119660-51530	RETAINER, RACK	1	1						
34	2	119620-51650	PLATE	2	2						
35	2	119620-51660	SCREW	2	2						
36	2	119620-51670	PIN	2	2						
37	2	119620-51680	PIN	1	1						
38	2	119620-51700	TAPPET ASSY	3	3						
43	2	22137-040000	WASHER, 4	2	2						Z
(A=*2000.01) (B=*2000.01)											
44	2	22217-040000	WASHER, SPRING 4	2	2						Z
(A=*2000.01) (B=*2000.01)											
45	2	26022-040082	SCREW, M4X 8	4	4						
46	2	26587-040102	SCREW, M4X10	2	2						Z
(A=*2000.01) (B=*2000.01)											
46-1	2	26033-040102	SCREW, M4X10	2	2						W
(A=*2000.01) (B=*2000.01)											

Fig.12. GOVERNOR(-DG)

(A)=3TNE74-DG
(B)=3TNE74-DGD
(C)=

(D)=
(E)=
(F)=



No.	Lev.	Parts No.	Description	Q'ty						I	R
				(A)	(B)	(C)	(D)	(E)	(F)		
1	1	194990-22050	NUT, M8	1							
2	1	119660-61060	COVER, GOVERNOR CASE	1							
3	1	26116-050202	BOLT, M5X 20 PLATED	3							
4	1	119660-61071	GASKET	1							
5	1	119600-61100	DRIVE ASSY	1							
6	2	119600-61200	WEIGHT ASSY, GOVERNOR	1							
10	2	119660-61300	NUT	1							
10-1	2	129008-61301	NUT	1							S
(A=*2007.11)											
11	2	119660-61341	SLEEVE	1							
12	1	119660-61121	LINK, NO MARK	1							1
12-1	1	119660-61122	LINK, NO MARK	1							N 1
(A=*2003.02)											
13	1	119660-61140	LINK, MARK :2	1							1
13-1	1	119660-61141	LINK, MARK A	1							N 1
(A=*2003.02)											
14	1	119660-61150	LINK, MARK :3	1							1
14-1	1	119660-61151	LINK, MARK :B	1							N 1
(A=*2003.02)											
15	1	119288-61200	CASE ASSY, GOVERNOR	1							
16	2	129155-51280	O-RING, S6	1							
19	2	119660-61052	GASKET	1							
19-1	2	119660-61054	GASKET	1							S
(A=2003.02)											
20	2	119660-61460	SHIM SET	1							
20-1	2	119632-61500	SHIM SET	1							S
(A=*2003.02)											
23	2	129155-61480	SPACER ASSY	2							
28	2	119660-61491	SHAFT	1							
29	2	119288-61510	LEVER ASSY, GOVERNOR	1							
30	3	174307-51700	SHIM SET	2							
45	3	119232-61540	SPRING	1							
46	3	119600-61540	SHIFTER	1							
46-1	3	119600-61541	SHIFTER	1							N
(A=E13436)											
47	3	119600-61650	SPRING, STARTING	1							
48	3	22117-040000	WASHER, 4	1							
49	3	22272-000040	RING, E- 4	1							
50	3	22351-020004	PIN, SPRING 2.0X 4	1							Z
(A=E13436)											
51	3	22351-030014	PIN, SPRING 3.0X14	1							
52	2	119600-61900	RETAINER, SHAFT	1							
53	2	119660-61901	RETAINER, SHAFT	1							
54	2	119285-66080	SHAFT ASSY	1							
58	2	22351-040010	PIN, SPRING 4.0X10	2							
59	2	24341-000070	O-RING, 1AS7.0	1							
60	2	26106-060102	BOLT, M6X 10 PLATED	2							
61	1	129100-61930	NUT, CAP	1							
61-1	1	26687-120002	NUT, CAP M12	1							S
(A=EXXXXX)											
62	1	119600-66020	SPRING, REGULATOR	1							

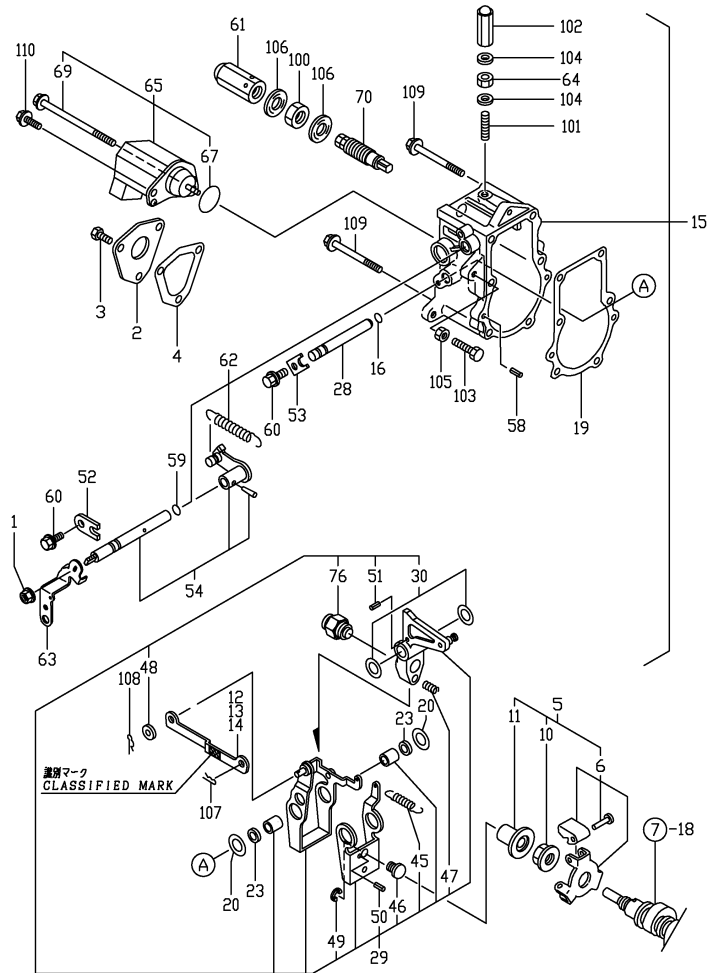
Remarks

(1) SELECTIVE PARTS : CERTAIN THE CLASSIFICATION MARK, THEN PLACE YOUR ORDER.(REF. TO ILLUSTRATION)

Fig.12. GOVERNOR(-DG)

(A)=3TNE74-DG
 (B)=3TNE74-DGD
 (C)=

(D)=
 (E)=
 (F)=

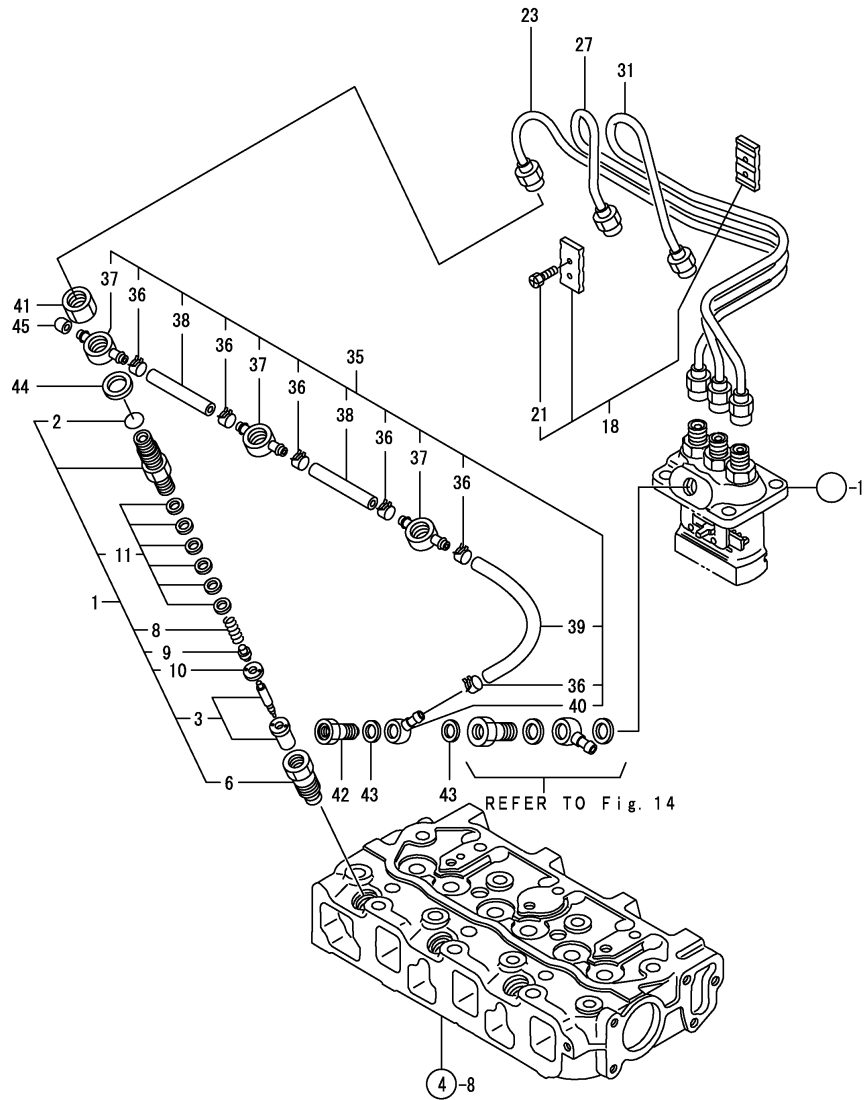


No.	Lev.	Parts No.	Description	Q'ty						I	R
				(A)	(B)	(C)	(D)	(E)	(F)		
62-1	1	119260-66010	SPRING, REGULATOR	1							S
		(A=*2000.04)									
63	1	119621-66051	LEVER, REGULATOR	1							
64	1	124550-66370	NUT, M6	1							
64-1	1	26857-060002	NUT, M6	1							S
		(A=EXXXXX)									
65	1	119285-66500	STOPPER ASSY	1							
67	2	24341-000280	O-RING, 1AS28.0	1							
69	2	26106-060952	BOLT, M6X 95 PLATED	1							
70	1	119600-66530	LIMITER ASSY, FUEL	1							
76	1	119260-66720	ANGLEICH ASSY	1							
100	1	124772-66750	NUT, LOCK M12	1							
100-1	1	26776-120002	NUT, LOCK M12	1							R
		(A=E08811)									
101	1	121575-66830	SCREW	1							
102	1	119600-66840	NUT, CAP	1							
103	1	26116-060304	BOLT, M6X 30 PLATED	1							
103-1	1	119266-61460	BOLT	1							S
		(A=EXXXXX)									
104	1	22190-060003	SEAL WASER 6	2							
105	1	26756-060002	NUT, LOCK M6	1							
106	1	22190-120002	WASHER, SEAL 12	2							
107	1	22360-040000	PIN, SNAP 4	1							
108	1	22360-060000	PIN, SNAP 6	1							
109	1	26106-060702	BOLT, M6X 70 PLATED	5							
110	1	121465-59950	BOLT, M6X16	1							W
		(A=FROM 1ST)									

Remarks

(1) SELECTIVE PARTS : CERTAIN THE CLASSIFICATION MARK, THEN PLACE YOUR ORDER.(REF. TO ILLUSTRATION)

Fig.13. FUEL INJECTION VALVE



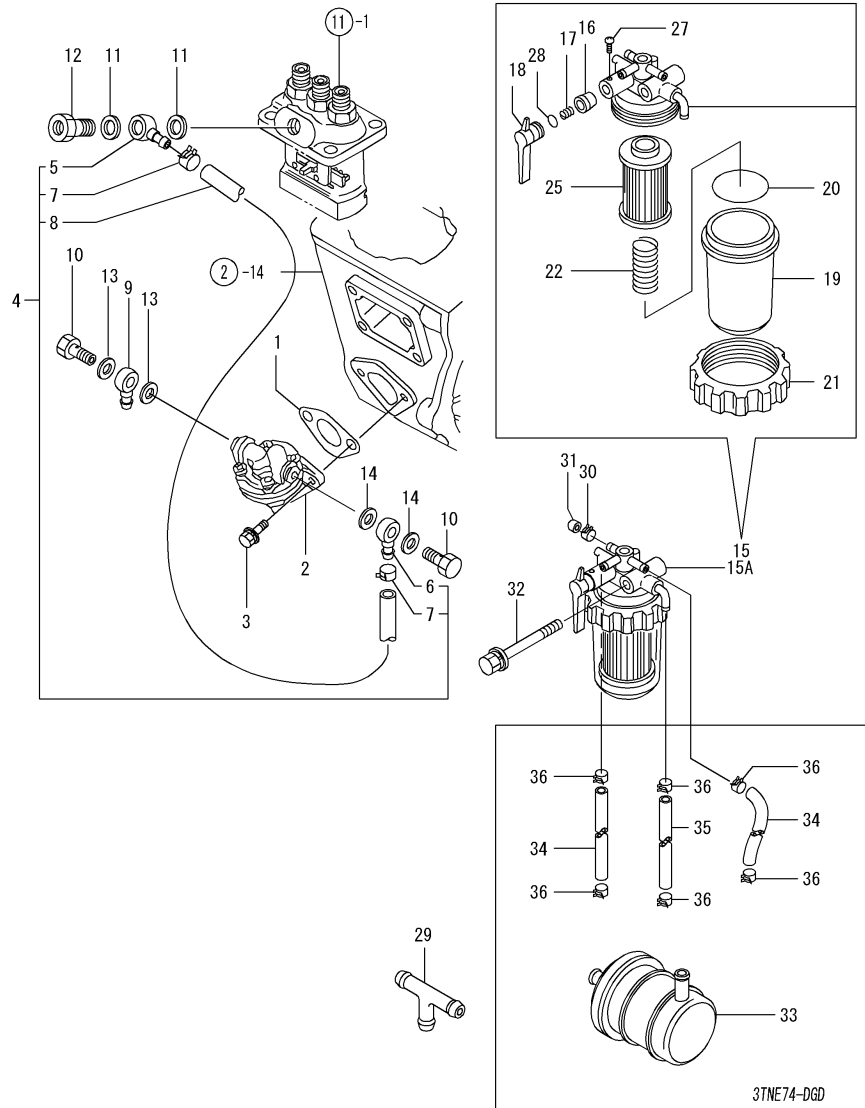
(A)=3TNE74-DG
(B)=3TNE74-DGD
(C)=

(D)=
(E)=
(F)=

No.	Lev.	Parts No.	Description	Qty						I	R
				(A)	(B)	(C)	(D)	(E)	(F)		
1	1	719620-53100	VALVE ASSY,INJECTION	3	3						
2	2	129155-51580	O-RING	3							G
2-1	2	129155-61830	O-RING, S10	3	3						R G
(A=E13436)											
2-2	2	158552-51930	O-RING, 4D S10	3	3						N
(A=*2006.02) (B=*2006.02)											
3	2	119620-53000	VALVE ASSY,INJECTION	3	3						
6	2	119620-53080	NUT, NOZZLE	3	3						
8	2	119620-53120	SPRING, NOZZLE	3	3						
9	2	114250-53130	SEAT, SPRING	3	3						
10	2	119620-53140	SPACER, VALVE STOP	3	3						
11	2	114250-53400	SHIM SET	3	3						
18	1	129150-59120	RETAINER, PIPE	1	1						
21	2	129150-59131	BOLT, M4X14	2	2						
23	1	119620-59811	PIPE ASSY, INJECTION	1	1						
27	1	119620-59821	PIPE ASSY, INJECTION	1	1						
31	1	119620-59831	PIPE ASSY, INJECTION	1	1						
35	1	119643-59540	PIPE ASSY, RETURN	1	1						
36	2	124066-59100	CLIP, HOSE 8	6	6						
37	2	119260-59530	JOINT	3	3						
38	2	105025-59550	PIPE, FUEL RETURN	2	2						
39	2	119642-59550	PIPE, FUEL RETURN	1	1						
40	2	119643-59570	JOINT, OVER FLOW	1	1						
41	1	119620-59700	NUT, NOZZLE	3	3						
42	1	124550-59820	BOLT, PIPE JOINT M8	1	1						
43	1	23414-080012	GASKET, 8X1.0	2	2						
43-1	1	22190-080002	WASHER, SEAL 6	2	2						N
(A=EXXXXX) (B=EXXXXX)											
44	1	23414-140000	GASKET, 14X1.0	3	3						G
44-1	1	22190-140002	WASHER, SEAL 14	3	3						N
(A=EXXXXX) (B=EXXXXX)											
45	1	119309-59590	CAP, 4.2	1	1						W
(A=EXXXXX) (B=EXXXXX)											

Remarks
(G) THESE PARTS ARE SOLD BY FIG.18,
REF.NO.1,1-1,1-2.

Fig.14. FUEL LINE



(A)=3TNE74-DG
(B)=3TNE74-DGD
(C)=

(D)=
(E)=
(F)=

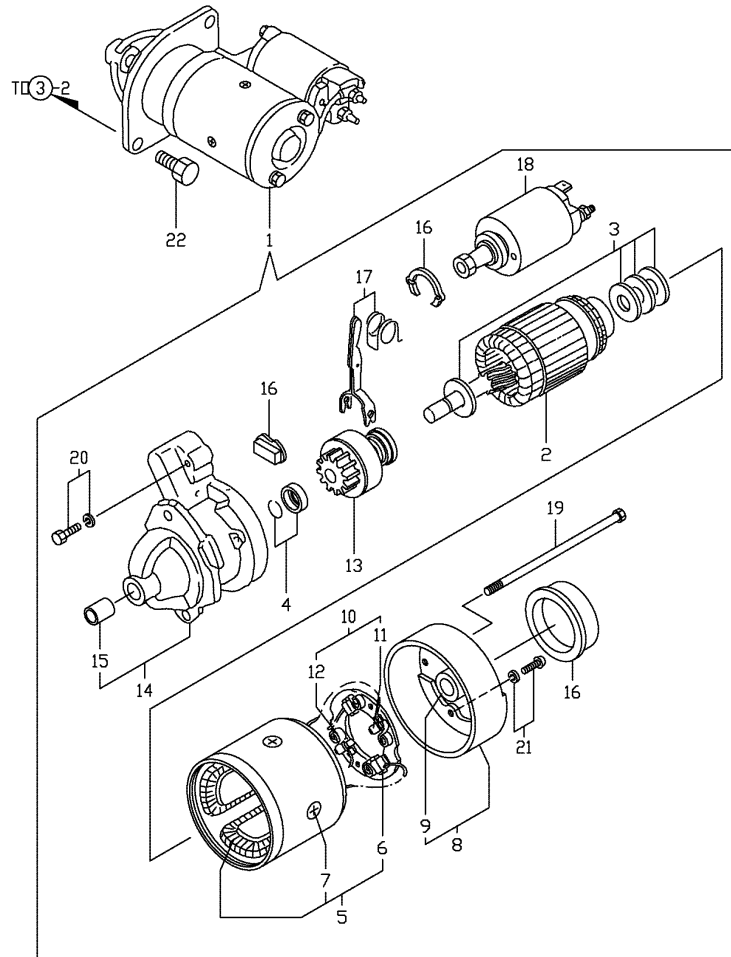
No.	Lev.	Parts No.	Description	Q'ty						I	R
				(A)	(B)	(C)	(D)	(E)	(F)		
1	1	121520-01851	GASKET	1	1						G
2	1	119600-52021	PUMP ASSY, FUEL FEED	1	1						
3	1	26014-060202	BOLT, M6X 20	2	2						
4	1	119650-59010	PIPE ASSY, FUEL	1	1						
5	2	101304-59020	JOINT, PIPE 12	1	1						
6	2	104264-59030	JOINT, PIPE 8	1	1						
7	2	124766-59050	CLIP, HOSE 12	2	2						
8	2	106430-59560	PIPE, FUEL	1	1						
9	1	104264-59030	JOINT, PIPE 8	1	1						
10	1	105582-59150	BOLT, PIPE JOINT	2	2						
11	1	104200-59170	GASKET, 12	2	2						G
12	1	119650-59200	BOLT, PIPE JOINT M12	1	1						
13	1	22190-080002	WASHER, SEAL 6	2	2						
14	1	22190-080002	WASHER, SEAL 6	2	2						G
15	1	119643-55610	FILTER ASSY, FUEL	1							
15A	1	119632-55620	FILTER ASSY, FUEL		1						
16	2	104200-55321	VALVE, TAPER	1	1						
17	2	104200-55330	SPRING, VALVE	1	1						
18	2	119810-55340	LEVER	1	1						
19	2	121254-55510	COVER	1	1						
20	2	102103-55520	O-RING	1	1						
21	2	110250-55610	RING, RETAINING	1	1						
22	2	121250-55620	SPRING	1	1						
25	2	124550-55700	FILTER, FUEL L=90	1	1						
27	2	104200-55750	SCREW, M4	1	1						
28	2	24311-240100	O-RING, 1AP10A	1	1						
29	1	119643-55620	JOINT, 3-WAY	1							
30	1	124066-59100	CLIP, HOSE 8		1						
31	1	129150-59580	CAP		1						
32	1	26014-080702	BOLT, M8X 70		1						
33	1	129052-55630	FILTER, FUEL		1						
34	1	124070-59130	PIPE, FUEL 2M		2						
35	1	105582-59540	PIPE, FUEL L=300		1						
36	1	124060-77680	CLIP, HOSE 10		6						

Remarks
(G) THESE PARTS ARE SOLD BY FIG.18,
REF.NO.1,1-1,1-2.

Fig.15. STARTING MOTOR, PREVIOUS

(A)=3TNE74-DG
(B)=3TNE74-DGD
(C)=

(D)=
(E)=
(F)=



No.	Lev.	Parts No.	Description	Q'ty						I	R
				(A)	(B)	(C)	(D)	(E)	(F)		
1	1	119631-77010	STARTER	1	1						
2	2	124190-77110	ARMATURE ASSY	1	1						
3	2	X2114811000	WASHER KIT, THRUST	1	1						
4	2	X2114715500	STOPPER SET	1	1						
5	2	X2114631090	COIL ASSY, FIELD	1	1						
6	3	X2114531200	BRUSH (+)	2	2						
7	3	X2114821500	SCREW SET	1	1						
8	2	X2114430010	COVER ASSY, REAR	1	1						
9	3	X2114535200	METAL, STARTER	1	1						
10	2	X2114990010	HOLDER ASSY, BRUSH	1	1						
11	3	X2114831300	BRUSH (-)	1	1						
12	3	X2114931400	SPRING, BRUSH	3	3						
13	2	124190-77760	PINION ASSY	1	1						
14	2	X2114966130	CASE ASSY, GEAR	1	1						
15	3	X2114535200	METAL, STARTER	1	1						
16	2	X2114780060	COVER ASSY, DUST	1	1						
17	2	X2114660130	LEVER KIT, SHIFT	1	1						
18	2	X2114275070	SWITCH, MAGNETIC	1	1						
19	2	X2114680050	BOLT, THROUGH	2	2						
20	2	X2114586700	BOLT M6X 37	2	2						
21	2	X2114283500	SCREW SET	1	1						
22	1	26116-120252	BOLT, M12X 25 PLATED	2	2						

Remarks
PREVIOUS STARTING MOTOR

Fig.16. GENERATOR

(A)=3TNE74-DG
 (B)=3TNE74-DGD
 (C)=

(D)=
 (E)=
 (F)=

No.	Lev.	Parts No.	Description	Q'ty						I	R
				(A)	(B)	(C)	(D)	(E)	(F)		
1	1	171301-77201	DYNAMO ASSY, 15A	1	1						
2	2	XM08137	PLATE ASSY	1	1						
3	3	XM08138	PLATE	1	1						
4	3	XM08180	STATOR SET	1	1						
5	3	XM27436	BEARING, BALL	1	1						
6	3	XM17878	COUPLER	1	1						
7	3	XM36410	CLAMP	1	1						
8	3	26022-040252	SCREW, M4X25	2	2						
9	3	XYSPS4008	SCREW	1	1						
10	2	XM82184	FLYWHEEL ASSY	1	1						
11	3	XM82110	FLYWHEEL	1	1						
12	3	XM72174	PULLEY	1	1						
13	3	XM72664	SHAFT	1	1						
14	3	XM37336	WASHER	1	1						
15	3	XM27436	BEARING, BALL	2	2						
16	2	106383-44720	SPACER	1	1						
17	2	106383-44730	WASHER	1	1						
18	2	22212-100000	SPRING WASHER 10	1	1						
19	2	26716-100002	NUT, M10	1	1						
20	1	119600-77330	ADJUSTER	1	1						
21	1	26014-080252	BOLT, M8X 25	1	1						
22	1	26106-080162	BOLT, M8X 16 PLATED	1	1						
23	1	26106-100402	BOLT, M10X 40 PLATED	1	1						

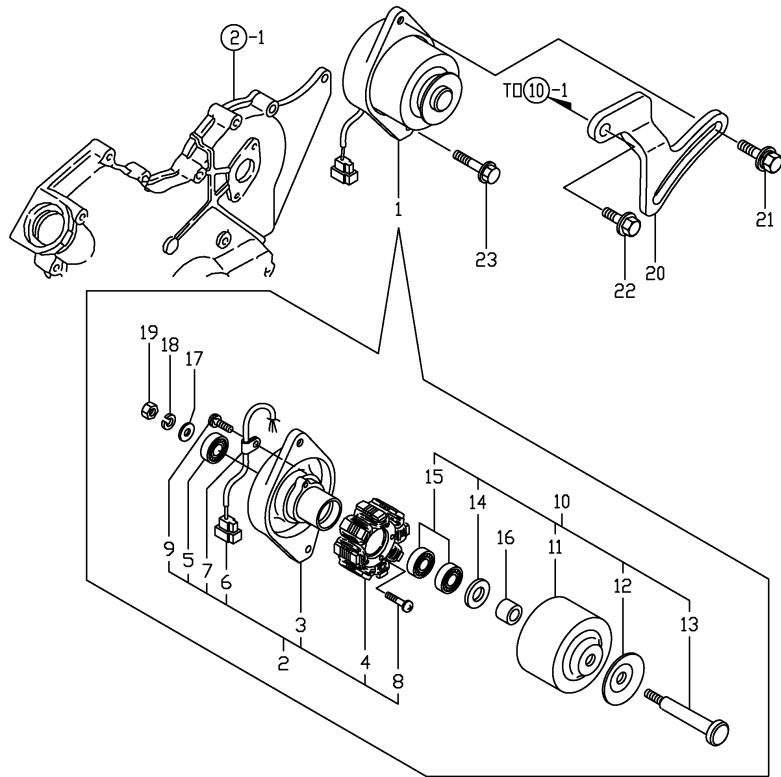
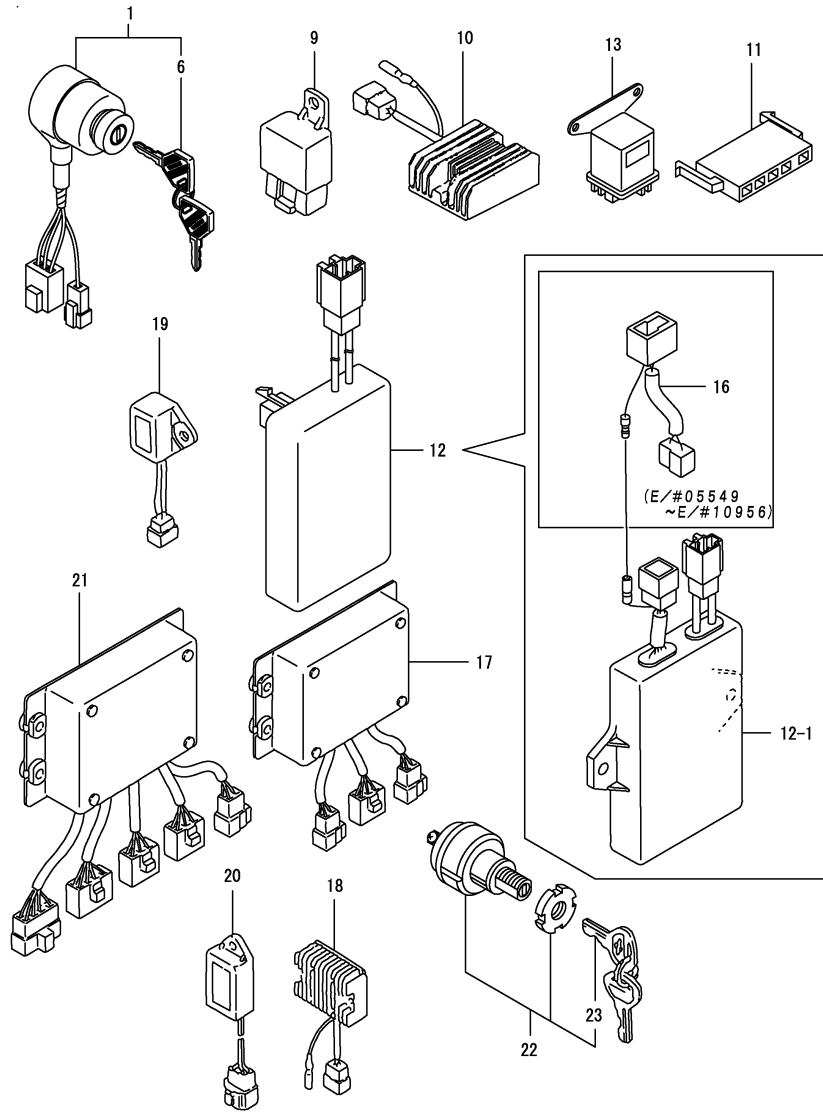


Fig.17. ELECTRIC PARTS

(A)=3TNE74-DG
(B)=3TNE74-DGD
(C)=

(D)=
(E)=
(F)=



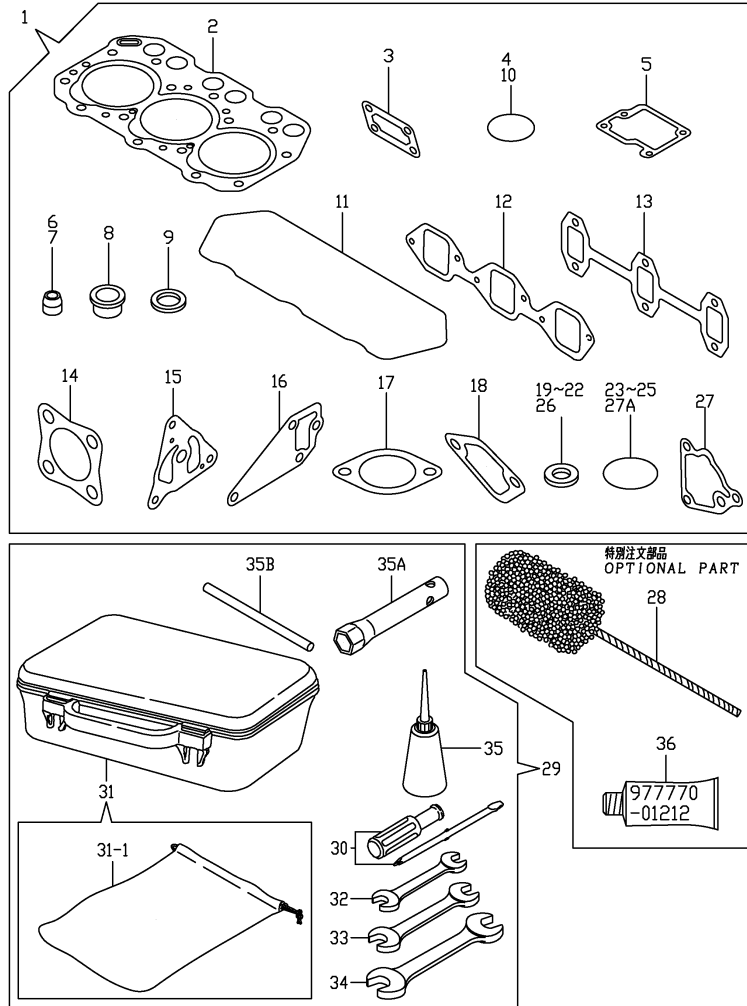
No.	Lev.	Parts No.	Description	Q'ty						I	R
				(A)	(B)	(C)	(D)	(E)	(F)		
1	1	194940-52110	SWITCH, STARTING	1							
6	2	198360-52160	KEY ASSY	1							
9	1	119247-77100	RELAY, SAFETY	1	1						
10	1	119660-77710	LIMITER, CURRENT 15A	1							
10-1	1	119660-77711 (A=E62380)	LIMITER, CURRENT 15A	1							N
10-2	1	119660-77712 (A=*2009.01)	LIMITER, CURRENT 15A	1							R
11	1	171301-77720	COUPLER	1							
12	1	119265-77800	RELAY, EMERGENCY	1							
12-1	1	119265-77801 (A=E10957)	RELAY, EMERGENCY	1							S
13	1	119650-77910	RELAY ASSY, GLOW	1							
16	1	119265-77950 (A=EXXXXX)	HARNESS, WIRE	1							W 1
16-1	1	119265-77950 (A=E10957)	HARNESS, WIRE	1							Z
17	1	119789-78800	CONTROLLER, MAIN 4P		1						
18	1	129132-77700	LIMITER, RS5136		1						
19	1	121522-77721	INDICATOR		1						
20	1	128300-77920	TIMER		1						
21	1	119140-78810	CONTROLLER		1						
22	1	121400-91251	SWITCH, STARTER		2						
23	2	121400-91271	KEY, SWITCH		2						

Remarks
(1) spare parts.
Using simultaneously with
the finding number 12-1
has interchangeability.
(from ENo 05549, to ENo 10956)

Fig.18. GASKET SET & TOOL

(A)=3TNE74-DG
(B)=3TNE74-DGD
(C)=

(D)=
(E)=
(F)=



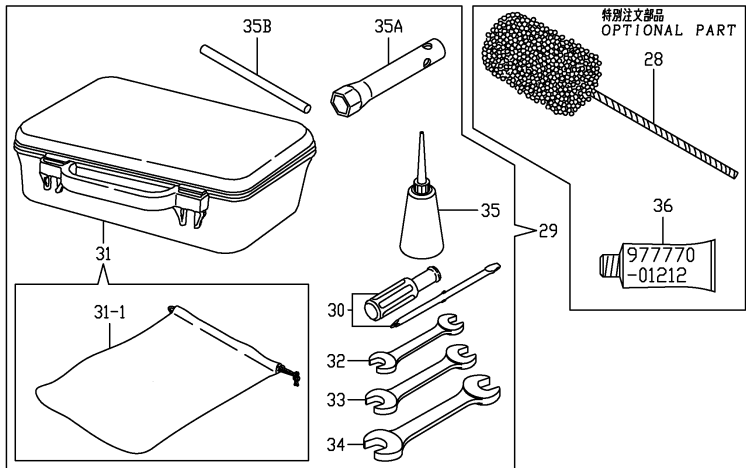
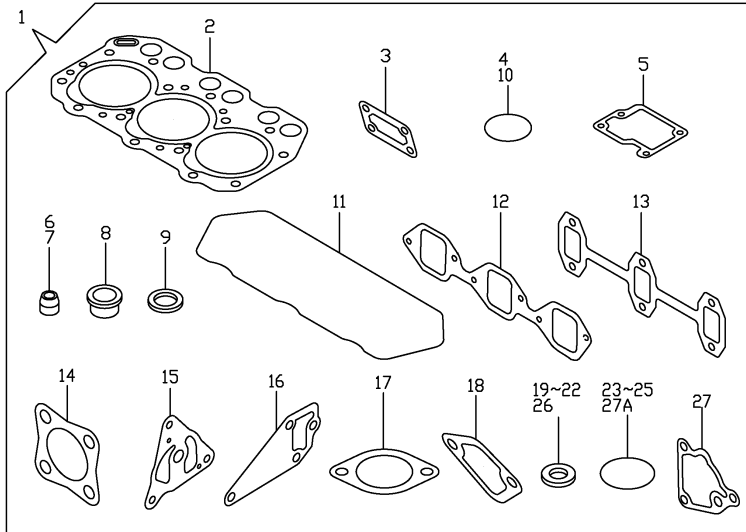
No.	Lev.	Parts No.	Description	Q'ty						I	R
				(A)	(B)	(C)	(D)	(E)	(F)		
1	1	719634-92600	GASKET SET	1							1
1-1	1	719634-92601	GASKET SET	1	1						N 1
(A=EXXXXX)											
1-2	1	719634-92602	GASKET SET	1	1						N 1
(A=EXXXXX) (B=EXXXXX)											
2	2	119623-01330	GASKET, HEAD	1	1						
2-1	2	119623-01340	GASKET, HEAD	1	1						N
(A=EXXXXX) (B=EXXXXX)											
3	2	119660-01562	GASKET	1	1						
4	2	24311-000320	O-RING, 1AP32.0	1	1						
5	2	119620-03031	GASKET	1	1						
6	2	124950-11340	SEAL, VALVE STEM	3	3						
7	2	124160-11340	SEAL, VALVE STEM	3	3						
8	2	119600-11450	PROTECTOR, NOZZLE	3	3						
9	2	119600-11460	GASKET, NOZZLE	6	6						
10	2	24311-000320	O-RING, 1AP32.0	1	1						
11	2	119620-11310	GASKET, BONNET	1	1						
12	2	119620-12111	GASKET, MANIFOLD	1	1						
13	2	119620-13110	GASKET	1	1						
14	2	121000-13201	GASKET, SILENCER	1	1						
15	2	119660-32020	GASKET, PUMP	1	1						
16	2	119620-42020	GASKET, WATER PUMP	1	1						
16-1	2	119620-42021	GASKET, WATER PUMP	1	1						N
(A=EXXXXX) (B=EXXXXX)											
17	2	129350-49541	GASKET	1	1						
18	2	121520-01851	GASKET	1	1						
19	2	124465-44950	GASKET, 16	1							
19-1	2	124465-44950	GASKET, 16	2	2						K
(A=FROM 1ST)											
20	2	104200-59170	GASKET, 12	2	2						
21	2	23414-140000	GASKET, 14X1.0	3	3						
22	2	22190-080002	WASHER, SEAL 6	4	4						
23	2	24311-000120	O-RING, 1AP12.0	4	4						
24	2	129155-51580	O-RING	3							
24-1	2	129155-61830	O-RING, S10	3	3						R
(A=E13436)											
25	2	24341-000240	O-RING, 1AS24.0	1	1						
26	2	22190-220002	WASHER, SEAL 22	1							
26-1	2	22190-220002	WASHER, SEAL 22	2							K
(A=FROM 1ST)											
27	2	119660-35113	GASKET	1	1						
27A	2	24341-000250	O-RING, 1AS25.0		1						
28	1	129400-92410	HONE	1	1						1
29	1	171001-93100	BOX, TOOL	1	1						
29-1	1	119265-93100	BOX, TOOL	1							R
(A=E06732)											
30	2	104200-92350	DRIVER, SCREW	1	1						
31	2	104200-92600	BOX, TOOL	1	1						
31-1	2	105300-92600	BAG, TOOL	1							S
(A=E06732)											
32	2	28110-100120	SPANNER, 10X12	1	1						

Remarks
(1) OPTIONAL PART.

Fig.18. GASKET SET & TOOL

(A)=3TNE74-DG
(B)=3TNE74-DGD
(C)=

(D)=
(E)=
(F)=



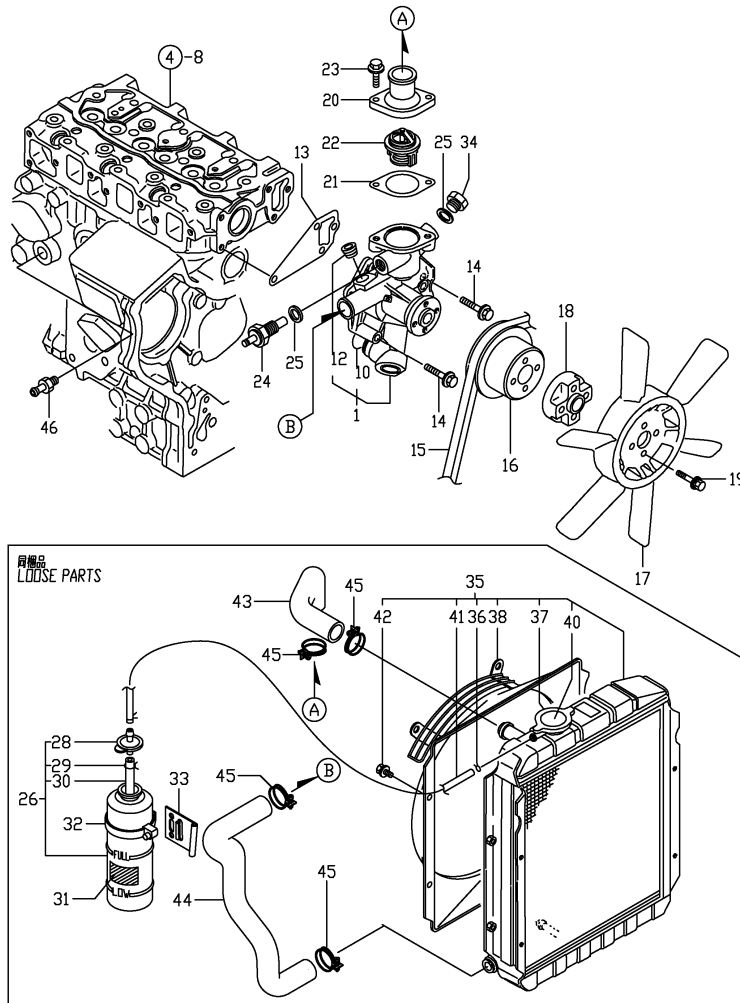
No.	Lev.	Parts No.	Description	Q'ty						I	R
				(A)	(B)	(C)	(D)	(E)	(F)		
33	2	28110-140170	SPANNER, 14X17	1	1						
34	2	28110-190220	SPANNER, 19X22	1	1						
35	2	28210-000140	OILER	1	1						Z
35A	2	28227-191400	WRENCH, BOX 19X140	1							W
35B	2	28230-090150	HANDLE, TURN 9X150	1							W
36	1	977770-01212	GASKET, LIQUID	1	1						1

Remarks
(1) OPTIONAL PART.

Fig.19. COOLING WATER SYSTEM(-DGD)

(A)=3TNE74-DG
(B)=3TNE74-DGD
(C)=

(D)=
(E)=
(F)=



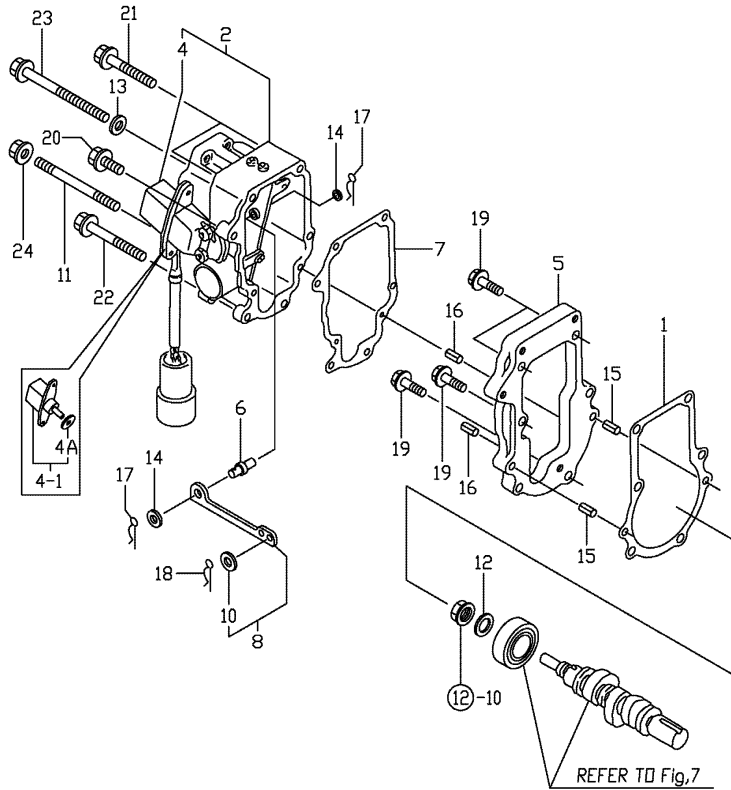
No.	Lev.	Parts No.	Description	Q'ty						I	R
				(A)	(B)	(C)	(D)	(E)	(F)		
1	1	119660-42004	PUMP ASSY, WATER		1						
1-1	1	119660-42009	PUMP ASSY, WATER (B=*2002.09)		1						N
10	2	119620-42320	O-RING		1						
10-1	2	119609-42320	O-RING (B=*2002.09)		1						S
12	2	23871-030000	PLUG, R03		1						
12-1	2	23876-030000	PLUG, R03 (B=*2002.09)		1						N
13	1	119620-42020	GASKET, WATER PUMP		1						G
13-1	1	119620-42021	GASKET, WATER PUMP (B=*1999.11)		1						N G
14	1	26106-080452	BOLT, M8X 45 PLATED		4						
15	1	119650-42291	V-BELT, 35		1						
15-1	1	25157-003500	V-BELT, M35 (B=EXXXXX)		1						S
16	1	119660-42350	V-PULLEY		1						
17	1	119620-44741	FAN, COOLING D310		1						
18	1	121267-44760	SPACER		1						
19	1	26014-060302	BOLT, M6X 30		4						
20	1	129350-49530	COVER, THERMOSTAT		1						
21	1	129350-49541	GASKET		1						G
22	1	129350-49800	THERMOSTAT, 71		1						
23	1	26106-080202	BOLT, M8X 20 PLATED		2						
24	1	121250-44901	SWITCH, 110		1						
25	1	124465-44950	GASKET, 16		2						G
26	1	124450-44510	TANK ASSY, SUB		1						
28	2	124450-44530	CAP		1						
29	2	124450-44560	RETAINER		1						
30	2	23061-070230	PIPE, 7X 230		1						
31	1	121470-44540	LABEL, SUB-TANK		1						
32	1	124450-44550	BAND		1						
33	1	121256-44600	BRACKET, SUB TANK		1						
34	1	121450-42450	PLUG, M16		1						
35	1	119631-44502	RADIATOR		1						
36	2	121250-44590	CLAMP		2						
37	2	124450-44590	CAP, RADIATOR		1						
37-1	2	121120-44590	CAP ASSY		1						R
38	2	119631-44610	SHROUD		1						
40	2	119631-44800	LABEL, RADIATOR		1						
41	2	124738-49150	PIPE, DRAIN L=300		1						
42	2	26014-080162	BOLT, M8X 16		4						
43	1	119645-49010	PIPE, WATER		1						
44	1	119645-49020	PIPE, WATER		1						
45	1	23010-038000	CLAMP, 38		4						
46	1	121550-49111	JOINT, PT1/4 (B=EXXXXX)		1						W

Remarks
(G)THESE PARTS ARE SOLD BY FIG.18,
REF.NO.1,1-1,1-2.

Fig.20. GOVERNOR(-DGD)

(A)=3TNE74-DG
(B)=3TNE74-DGD
(C)=

(D)=
(E)=
(F)=

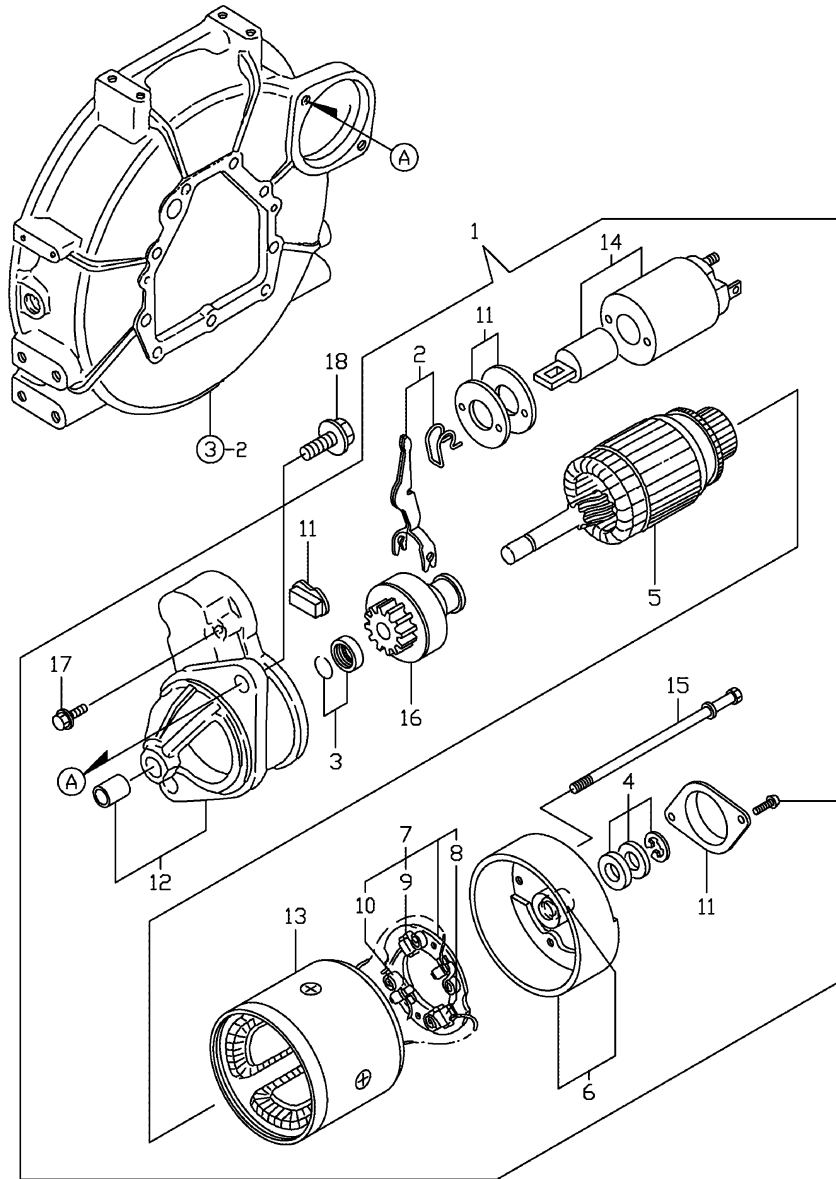


No.	Lev.	Parts No.	Description	Q'ty						I	R
				(A)	(B)	(C)	(D)	(E)	(F)		
1	1	119660-61052	GASKET		1						
2	1	119649-61100	ACTUATOR		1						
2-1	1	129611-61100	ACTUATOR		1						S
		(B=*1996.04)									
4	2	119649-61090	SENSOR		1						
4-1	2	119649-61091	SENSOR		1						N
		(B=*1996.08)									
4A	3	129611-61180	GASKET		1						W
		(B=*1996.08)									
5	1	119649-61110	SPACER		1						
6	1	119649-61140	PIN		1						
7	1	119649-61151	GASKET		1						
8	1	119649-61160	LINK ASSY		1						
10	2	119649-61130	SHIM, T=0.7		1						
11	1	119649-61200	STUD		1						
12	1	119649-61310	SPACER		1						
13	1	22117-060000	WASHER, 6		1						
14	1	22137-040000	WASHER, 4		2						
15	1	22351-040010	PIN, SPRING 4.0X10		2						
16	1	22351-040010	PIN, SPRING 4.0X10		2						
17	1	22360-040000	PIN, SNAP 4		2						
17-1	1	22372-040000	PIN, SNAP 4		2						S
		(B=*2006.09)									
18	1	22360-060000	PIN, SNAP 6		1						
18-1	1	22372-060000	PIN, SNAP 6		1						S
		(B=*2006.09)									
19	1	26106-060182	BOLT, M6X 18 PLATED		4						
20	1	26106-060182	BOLT, M6X 18 PLATED		1						
21	1	26106-060452	BOLT, M6X 45 PLATED		2						
22	1	26106-060702	BOLT, M6X 70 PLATED		1						
23	1	26116-061002	BOLT, M6X100 PLATED		1						
24	1	26366-060002	NUT, M6		1						

Fig.21. STARTING MOTOR, NEW

(A)=3TNE74-DG
 (B)=3TNE74-DGD
 (C)=

(D)=
 (E)=
 (F)=



No.	Lev.	Parts No.	Description	Q'ty						I	R
				(A)	(B)	(C)	(D)	(E)	(F)		
1	1	119631-77011	STARTING MOTOR	1	1						
2	2	114371-77180	LEVER KIT, SHIFT	1	1						
3	2	X2114715500	STOPPER SET	1	1						
4	2	X2114811000	WASHER KIT, THRUST	1	1						
5	2	114371-77110	ARMATURE	1	1						
6	2	114371-77140	COVER ASSY, REAR	1	1						
7	2	114371-77160	HOLDER ASSY, BRUSH	1	1						
8	3	114371-79040	BRUSH	2	2						
9	3	114371-79050	BRUSH	1	1						
10	3	114371-79060	SPRING	4	4						
11	2	114371-77170	COVER ASSY, DUST	1	1						
12	2	119631-77651	CASE ASSY, GEAR	1	1						
13	2	124097-77710	YOKE ASSY	1	1						
14	2	124298-77020	SWITCH, MAGNETIC	1	1						
15	2	124195-77770	BOLT, THROUGH	2	2						
16	2	119631-77780	PINION ASSY	1	1						
17	2	114371-79070	BOLT	2	2						
18	1	26116-120252	BOLT, M12X 25 PLATED	2	2						

Remarks
 NEW STARTING MOTOR

Parts No. Index

Parts No.	Fig. No.	Ref. No.
101158-11190	4	24
101304-59020	14	5
102103-55520	14	20
104200-55321	14	16
104200-55330	14	17
104200-55750	14	27
104200-59170	14	11
	18	20
104200-92350	18	30
104200-92600	18	31
104207-44480	5	3
104211-11370	4	27
104264-59030	14	6
		9
105010-11230	4	38
		42
105025-59550	13	38
105225-23200	8	31
105300-92600	18	31 -1
105546-51330	11	25
105582-59150	14	10
105582-59540	14	35
106383-44720	16	16
106383-44730	16	17
106430-59560	14	8
110250-55610	14	21
114250-39450	9	43 -1
114250-53130	13	9
114250-53400	13	11
114350-22301	8	24
114371-77110	21	5
114371-77140	21	6
114371-77160	21	7
114371-77170	21	11
114371-77180	21	2
114371-79040	21	8
114371-79050	21	9
114371-79060	21	10
114371-79070	21	17
114399-22300	8	24 -1
119131-18320	6	5 -1
119140-78810	17	21
119232-61540	12	45
119247-77100	17	9
119256-44760	10	17
119260-07900	4	5
119260-59530	13	37
119260-66010	12	62 -1
119260-66720	12	76
119265-44400	9	15

Parts No.	Fig. No.	Ref. No.
119265-44900	10	23
119265-77800	17	12
119265-77801	17	12 -1
119265-77950	17	16
		16 -1
119265-93100	18	29 -1
119266-61460	12	103 -1
119285-66080	12	54
119285-66500	12	65
119288-61200	12	15
119288-61510	12	29
119305-35150	9	27 A
119305-35151	9	27 -1
		27 A-1
119309-59590	13	45
119600-01050	1	5
119600-01600	3	2
119600-01722	3	11
119600-01770	3	13
119600-11450	4	28
	18	8
119600-11460	4	29
	18	9
119600-13100	6	1
119600-35091	9	40
119600-52021	14	2
119600-61100	12	5
119600-61200	12	6
119600-61540	12	46
119600-61541	12	46 -1
119600-61650	12	47
119600-61900	12	52
119600-66020	12	62
119600-66530	12	70
119600-66840	12	102
119600-77330	16	20
119609-32040	9	38 -1
119609-42320	10	10 -1
	19	10 -1
119610-01490	2	14
119610-01590	2	1
119620-01200	1	23
119620-01620	3	6
119620-01750	3	4
119620-01800	2	4
119620-01950	2	23
119620-02020	1	6
119620-02410	1	21
119620-02450	7	4
119620-03020	4	51

Parts No.	Fig. No.	Ref. No.
119620-03031	4	52
	18	5
119620-11110	4	21
119620-11120	4	22
119620-11180	4	23
119620-11200	4	31
119620-11240	4	32
119620-11260	4	35
119620-11280	4	36
119620-11310	4	55
	18	11
119620-11330	4	50
119620-11350	4	47
119620-11390	4	56
119620-11801	4	14
119620-12111	5	4
	18	12
119620-13110	6	2
	18	13
119620-14100	7	7
119620-14200	7	1
119620-14401	7	2
119620-21941	8	10
119620-23910	8	29
119620-25102	7	11
119620-25912	7	13
119620-42020	10	12
	18	16
	19	13
119620-42021	10	12 -1
	18	16 -1
	19	13 -1
119620-42320	10	10
	19	10
119620-44741	19	17
119620-51101	11	4
119620-51170	11	7
119620-51180	11	8
119620-51190	11	9
119620-51250	11	10
119620-51300	11	22
119620-51340	11	26
119620-51350	11	27
119620-51370	11	28
119620-51450	11	29
119620-51461	11	30
119620-51510	11	32
119620-51650	11	34
119620-51660	11	35
119620-51670	11	36

Parts No.	Fig. No.	Ref. No.
119620-51680	11	37
119620-51700	11	38
119620-53000	13	3
119620-53080	13	6
119620-53120	13	8
119620-53140	13	10
119620-59700	13	41
119620-59811	13	23
119620-59821	13	27
119620-59831	13	31
119620-77820	4	64
119621-21680	8	9
119621-21681	8	9 -1
119621-66051	12	63
119623-01250	1	12 -1
119623-01330	1	24
	18	2
119623-01340	1	24 -1
	18	2 -1
119623-01770	3	13 -1
119623-01950	2	23 -1
119623-11100	4	20
119623-21700	8	1
119623-22080	8	16
119623-22500	8	18
119623-22900	8	34
119623-22950	8	36
119623-34820	9	24
119623-34830	9	24 -1
119623-35090	9	40 -1
119623-35300	9	29 -1
119624-02410	1	21 -1
119624-32040	2	6 -1
119629-14580	7	3
119631-44502	19	35
119631-44610	19	38
119631-44800	19	40
119631-77010	15	1
119631-77011	21	1
119631-77651	21	12
119631-77780	21	16
119632-55620	14	15 A
119632-61500	12	20 -1
119640-01640	3	14
		14 -1
119640-42290	10	14
119642-03140	4	1
119642-12100	5	1
119642-12110	5	2
119642-33030	9	13

Parts No. Index

Parts No.	Fig. No.	Ref. No.
119642-33100	9	14
119642-42000	10	1
119642-42350	10	15
119642-49030	9	17
119642-59550	13	39
119643-21590	8	12
119643-55610	14	15
119643-55620	14	29
119643-59540	13	35
119643-59570	13	40
119644-21200	8	5
119645-49010	19	43
119645-49020	19	44
119649-21650	8	8 A
119649-61090	20	4
119649-61091	20	4 -1
119649-61100	20	2
119649-61110	20	5
119649-61130	20	10
119649-61140	20	6
119649-61151	20	7
119649-61160	20	8
119649-61200	20	11
119649-61310	20	12
119649-78500	2	35
119649-78510	2	33
119649-78650	8	44
119650-42291	19	15
119650-59010	14	4
119650-59200	14	12
119650-77910	17	13
119653-21660	8	8 A-1
119660-01510	2	17
119660-01551	2	20
119660-01562	2	21
	18	3
119660-01570	2	22
119660-01640	3	7
119660-01821	7	17
119660-01911	2	5
119660-21651	8	8
119660-25022	7	9
119660-25052	7	10
119660-32001	9	1
119660-32020	9	11
	18	15
119660-35102	9	25
119660-35113	9	26
	18	27
119660-35150	9	27

Parts No.	Fig. No.	Ref. No.
119660-35300	9	29 A
119660-42004	19	1
119660-42009	19	1 -1
119660-42350	19	16
119660-51500	11	31
119660-51530	11	33
119660-61052	12	19
	20	1
119660-61054	12	19 -1
119660-61060	12	2
119660-61071	12	4
119660-61121	12	12
119660-61122	12	12 -1
119660-61140	12	13
119660-61141	12	13 -1
119660-61150	12	14
119660-61151	12	14 -1
119660-61300	12	10
119660-61341	12	11
119660-61460	12	20
119660-61491	12	28
119660-61901	12	53
119660-77710	17	10
119660-77711	17	10 -1
119660-77712	17	10 -2
119789-11200	4	31 A
119789-78800	17	17
119802-13600	6	4 -1
119810-55340	14	18
119865-21600	8	15
121000-13201	6	7
	18	14
121023-01550	2	29
121023-01551	2	29 -1
121111-21501	8	11
121120-01620	3	3
121120-12541	5	7 -1
121120-12560	5	8
121120-12561	5	8 -1
121120-12570	5	9
121120-12571	5	9 -1
121120-44590	19	37 -1
121250-44590	19	36
121250-44901	10	23 -1
	19	24
121250-55620	14	22
121254-55510	14	19
121256-44600	10	32
	19	33
121267-44760	19	18

Parts No.	Fig. No.	Ref. No.
121400-91251	17	22
121400-91271	17	23
121450-01560	2	18
121450-42450	10	33
	19	34
121465-12700	5	20
121465-59950	12	110
121470-44540	10	30
	19	31
121520-01851	14	1
	18	18
121520-34810	9	23
121522-77721	17	19
121550-49111	9	44
	19	46
121575-66830	12	101
121850-11860	4	17
124060-76680	14	36
124064-12680	5	18
124064-12690	5	19
124066-59100	13	36
	14	30
124070-59130	14	34
124085-02220	3	9
124097-77710	21	13
124160-01751	2	12
	4	66
124160-11340	4	25
	18	7
124160-11360	4	61
124160-39450	9	43
124190-77110	15	2
124190-77760	15	13
124195-77770	21	15
124298-77020	21	14
124450-35110	9	28
124450-44510	10	25
	19	26
124450-44530	10	27
	19	28
124450-44550	10	31
	19	32
124450-44560	10	28
	19	29
124450-44590	19	37
124465-44950	10	24
		24 -1
	18	19
		19 -1
	19	25

Parts No.	Fig. No.	Ref. No.
124550-55700	14	25
124550-59820	13	42
124550-66370	12	64
124738-49150	19	41
124750-12510	5	12
124766-59050	14	7
124772-66750	12	100
124950-11340	4	26
	18	6
128300-77920	17	20
129008-61301	12	10 -1
129052-55630	14	33
129054-13210	6	6 -1
129100-01580	3	1
	8	2
129100-61930	12	61
129120-35301	9	29
129122-44480	9	16
129132-77700	17	18
129150-35350	9	37
129150-59120	13	18
129150-59131	13	21
129150-59580	14	31
129155-51280	12	16
129155-51580	13	2
	18	24
129155-61480	12	23
129155-61830	13	2 -1
	18	24 -1
129350-12500	5	6
129350-12501	5	6 -1
129350-12520	5	10
129350-12530	5	11
129350-12540	5	7
129350-12650	5	10 -1
129350-12660	5	11 -1
129350-12900	5	12 -1
129350-49530	10	19
	19	20
129350-49541	10	20
	18	17
	19	21
129350-49800	10	21
	19	22
129400-92410	18	28
129403-49050	9	18
129403-49060	9	18 -1
129611-61100	20	2 -1
129611-61180	20	4 A
129795-77800	4	63

Parts No. Index

Parts No.	Fig. No.	Ref. No.
158552-51930	13	2 -2
170903-12560	5	13
171001-93100	18	29
171008-03990	4	65
171033-12500	5	14
171033-12501	5	14 -1
171033-12510	5	15
171033-12540	5	16
171033-12560	5	17
171037-44740	10	16
171126-12580	5	21
171301-01640	3	14 A
171301-77201	16	1
171301-77720	17	11
174307-51700	12	30
194440-51630	2	32
194940-52110	17	1
194990-22050	2	27
	6	3
	12	1
198360-52160	17	6
22117-040000	12	48
22117-060000	20	13
22137-040000	11	43
	20	14
22190-060003	12	104
22190-080002	13	43 -1
	14	13
		14
	18	22
22190-120002	12	106
22190-140002	13	44 -1
22190-220002	3	16
		16 -1
	18	26
		26 -1
22212-100000	16	18
22217-040000	11	44
22217-050000	4	59
22242-000120	4	45
22242-000200	7	15
22252-000210	8	25
22272-000040	12	49
22351-020004	12	50
22351-030014	12	51
22351-040010	2	19
	12	58
	20	15
		16
22351-060012	4	27 A

Parts No.	Fig. No.	Ref. No.
22351-060012	4	30
22360-040000	12	107
	20	17
22360-060000	12	108
	20	18
22372-040000	20	17 -1
22372-060000	20	18 -1
22512-040120	7	8
		22
	8	6
23000-022000	9	19
23010-038000	19	45
23061-070230	10	29
	19	30
23414-080012	13	43
23414-140000	13	44
	18	21
23871-010000	1	11
23871-030000	9	20
	19	12
23876-010000	1	11 -1
23876-030000	9	20 -1
	19	12 -1
24101-062034	7	24
24102-063034	7	23
24311-000120	2	6
	4	62
	9	41
	18	23
24311-000160	9	38
24311-000320	2	13
	4	67
	18	4
		10
24311-240100	14	28
24316-000125	11	28 -1
24321-000600	9	21
24321-000700	9	22
24341-000070	12	59
24341-000240	2	30
	18	25
24341-000250	3	16 A
	18	27 A
24341-000280	12	67
25157-003500	19	15 -1
26014-060202	14	3
26014-060302	19	19
26014-080162	19	42
26014-080252	16	21
26014-080702	14	32

Parts No.	Fig. No.	Ref. No.
26022-040082	11	45
26022-040252	16	8
26033-040102	11	46 -1
26106-060102	9	42
	12	60
26106-060122	1	22
	3	17
	7	16
26106-060162	2	7
		31 -1
	7	25
26106-060182	2	31
	20	19
		20
26106-060202	5	5
26106-060222	3	10
26106-060302	2	8
26106-060452	3	18
	20	21
26106-060552	10	18 -1
26106-060602	2	9
		10
	10	18
26106-060652	2	34
26106-060702	12	109
	20	22
26106-060802	2	11
26106-060952	12	69
26106-080142	4	6
		7
26106-080162	16	22
26106-080202	9	39
	10	22
	19	23
26106-080402	6	4
26106-080452	4	48
	10	13
	19	14
26106-100142	8	45
26106-100402	16	23
26116-050202	12	3
26116-060304	12	103
26116-061002	20	23
26116-120252	15	22
	21	18
26206-100252	3	5
26206-100302	3	3 -1
26216-080222	6	5
26216-080552	6	6
26366-060002	2	28

Parts No.	Fig. No.	Ref. No.
26366-060002	20	24
26366-080002	4	49
26450-060202	9	12
26557-040082	2	36
26557-050102	4	60
26587-040102	11	46
26587-080102	7	26
26687-120002	12	61 -1
26716-100002	16	19
26756-060002	4	40
		44
	12	105
26776-120002	12	100 -1
26857-060002	12	64 -1
26979-050162	4	46
27221-050080	4	18
27231-450000	1	12
27241-120000	1	13
27241-300000	1	14
27241-400000	4	19
27310-070001	4	24 -1
28110-100120	18	32
28110-140170	18	33
28110-190220	18	34
28210-000140	18	35
28227-191400	18	35 A
28230-090150	18	35 B
719620-02800	1	15
719620-02870	1	25
719620-02930	1	18
719620-11650	4	37
719620-11660	4	41
719620-23100	8	26
719620-23600	8	32
719620-23610	8	42
719620-53100	13	1
719621-51100	11	1
719623-01560	1	1
719623-11700	4	8 A
719623-11710	4	8
719634-51310	11	1 -1
719634-92600	18	1
719634-92601	18	1 -1
719634-92602	18	1 -2
719660-14590	7	18
719789-11650	4	37 A
719789-11660	4	41 A
719789-51310	11	1 -2
977770-01212	2	37
	3	19

Parts No. Index

Parts No.	Fig. No.	Ref. No.
977770-01212	18	36
X2114275070	15	18
X2114283500	15	21
X2114430010	15	8
X2114531200	15	6
X2114535200	15	9
		15
X2114586700	15	20
X2114631090	15	5
X2114660130	15	17
X2114680050	15	19
X2114715500	15	4
	21	3
X2114780060	15	16
X2114811000	15	3
	21	4
X2114821500	15	7
X2114831300	15	11
X2114931400	15	12
X2114966130	15	14
X2114990010	15	10
XM08137	16	2
XM08138	16	3
XM08180	16	4
XM17878	16	6
XM27436	16	5
		15
XM36410	16	7
XM37336	16	14
XM72174	16	12
XM72664	16	13
XM82110	16	11
XM82184	16	10
XYSPS4008	16	9

Parts No.	Fig. No.	Ref. No.
-----------	----------	----------

Parts No.	Fig. No.	Ref. No.
-----------	----------	----------

Parts No.	Fig. No.	Ref. No.
-----------	----------	----------