

OCD10-M48001EN

## 記載対象機種

The following models are described in the parts catalog.

機種名 Model	作業機メーカー Manufacturer's name	搭載商品名 Product equipped with the Model	備考 Note
3TNE68-DW	デンヨー(株) Denyo Co., Ltd.	DLW-300SSY DLW-300SSWY	エンジン溶接機 ENGINE WELDER
		DLG-13SSY	エンジン発電機 ENGINE GENERATOR
3TNE68-DW1		TLW-300SS(W)Y	発電溶接機 GENERATOR & WELDER

# Contents

Fig. No.    Fig. Name

## ENGINE 3TNE68-DW,DW1

1. CYLINDER BLOCK
2. GEAR HOUSING
3. FLYWHEEL HOUSING& LUB.OIL SUMP
4. CYLINDER HEAD & BONNET
5. SUC.MANIFOLD & CLEANER
6. EXH.MANIFOLD
7. CAMSHAFT & DRIVING GEAR
8. CRANKSHAFT & PISTON
9. LUB.OIL SYSTEM
10. COOLING WATER SYSTEM
11. FUEL INJECTION PUMP
12. GOVERNOR
13. FUEL INJECTION VALVE
14. FUEL LINE
15. STARTING MOTOR
16. GENERATOR
17. GASKET SET

Fig. No.    Fig. Name



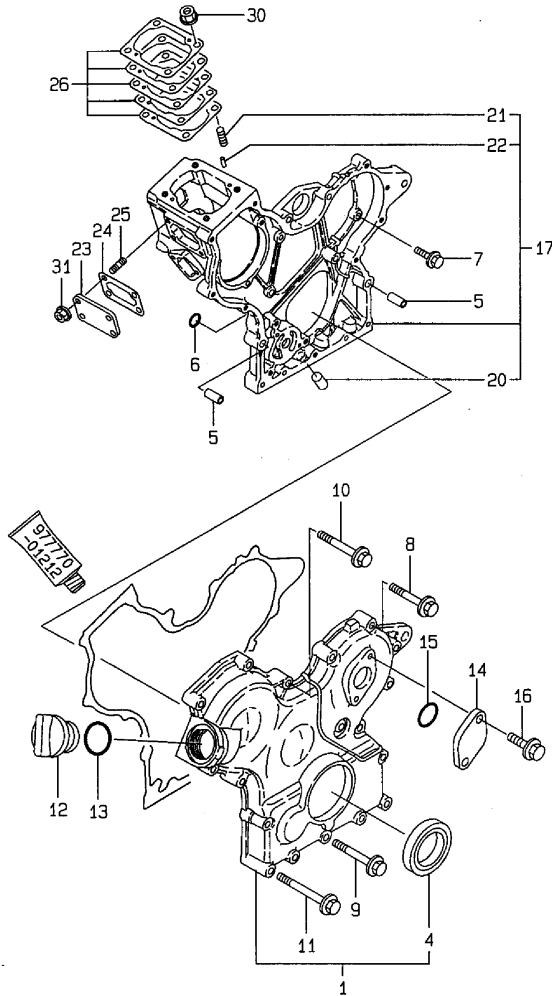
# Fig.2. GEAR HOUSING

(A)=3TNE68-DW  
 (B)=3TNE68-DW1  
 (C)=

(D)=  
 (E)=  
 (F)=

Y00D4801  
 3TNE68-DW, DW1

ギヤケース  
 GEAR HOUSING



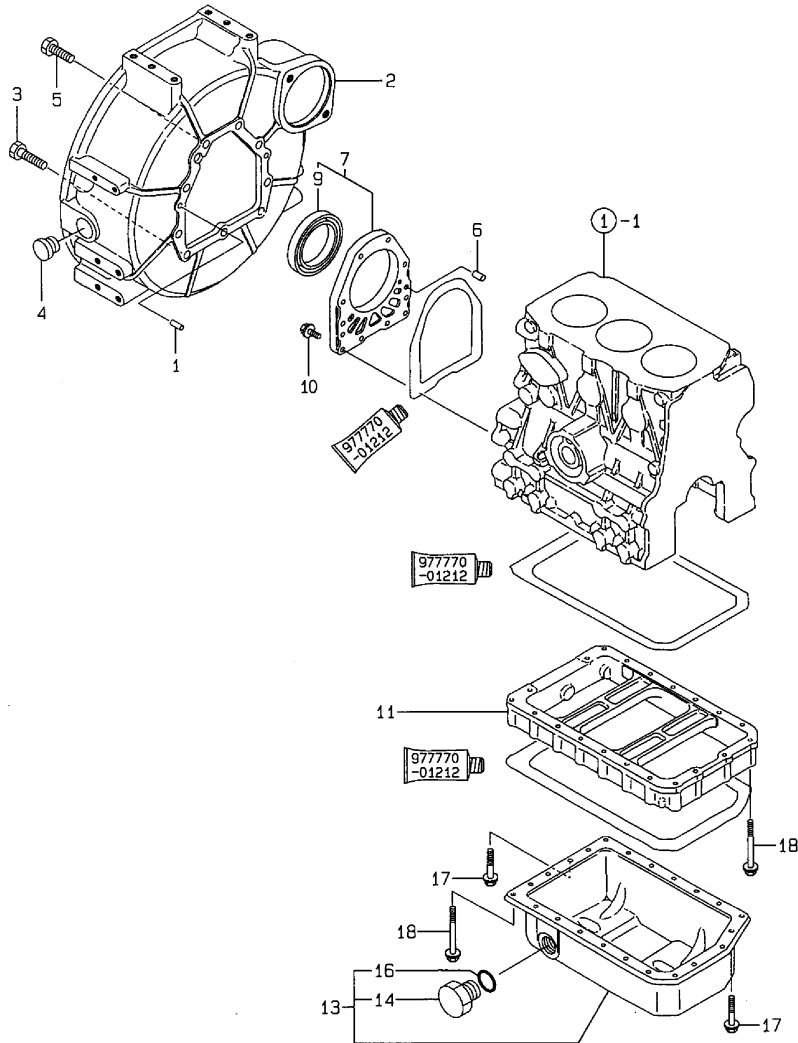
No.	Lev.	Parts No.	Description	Q'ty						I	R
				(A)	(B)	(C)	(D)	(E)	(F)		
1	1	119260-01590	COVER ASSY,GEAR CASE	1	1						
4	2	119620-01800	SEAL, OIL	1	1						
5	1	119660-01911	PIPE, KNOCK	4	4						
6	1	24311-000120	O-RING, 1AP12.0	2	2						G
7	1	26106-060162	BOLT, M6X 16 PLATED	5	5						
8	1	26106-060302	BOLT, M6X 30 PLATED	5	5						
9	1	26106-060402	BOLT, M6X 40 PLATED	3	3						
10	1	26106-060502	BOLT, M6X 50 PLATED	4	4						
11	1	26106-060652	BOLT, M6X 65 PLATED	6	6						
12	1	124160-01751	COVER, FILLER	1	1						
13	1	24311-000320	O-RING, 1AP32.0	1	1						G
14	1	121023-01550	COVER	1	1						
15	1	24341-000240	O-RING, 1AS24.0	1	1						G
16	1	26106-060182	BOLT, M6X 18 PLATED	2	2						
17	1	119260-01490	CASE ASSY, GEAR	1	1						
20	2	119260-01510	PLUG	1	1						
21	2	121450-01560	STUD, M8X22	4	4						
22	2	22351-040010	PIN, SPRING 4.0X10	2	2						
23	1	119660-01551	COVER	1	1						
24	1	119660-01562	GASKET	1	1						G
25	1	119660-01570	STUD, M6X12	4	4						
26	1	119620-01950	SHIM SET, ADJUSTING	1							
26-1	1	119623-01950	SHIM SET, ADJUSTING	1	1						N
(A=E08585)											
30	1	194990-22050	NUT, M8	4	4						
31	1	26366-060002	NUT, M6	4	4						

Remarks  
 (G) THESE PARTS ARE SOLD BY FIG.17,  
 REF.NO.1,1-1.

Fig.3. FLYWHEEL HOUSING& LUB.OIL SUMP

Y00D4801  
3TNE68-DW, DW1

3 フライホイールハウジング & オイルパン  
FLYWHEEL HOUSING & LUB.OIL SUMP



(A)=3TNE68-DW  
(B)=3TNE68-DW1  
(C)=

(D)=  
(E)=  
(F)=

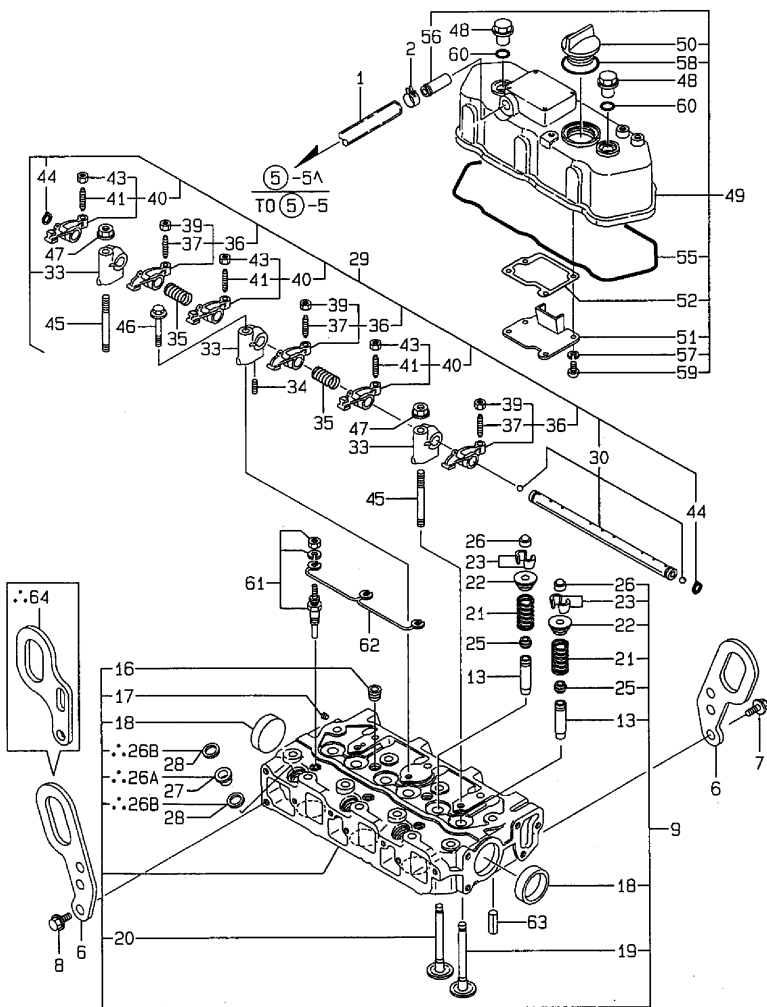
No.	Lev.	Parts No.	Description	Q'ty						I	R
				(A)	(B)	(C)	(D)	(E)	(F)		
1	1	129100-01580	PIN, M8X16	2	2						
2	1	119600-01600	HOUSING, FLYWHEEL	1	1						
3	1	121120-01620	BOLT, M10X28	3	3						
4	1	119620-01750	CAP	1	1						
5	1	26206-100252	BOLT, M10X 25 PLATED	6	6						
6	1	119620-01620	PIN, M6X10	2	2						
7	1	119660-01640	CASE ASSY, OIL SEAL	1	1						
9	2	124085-02220	SEAL, OIL	1	1						
10	1	26106-060222	BOLT, M6X 22 PLATED	10	10						
11	1	119454-01721	SPACER, OIL SUMP	1	1						
13	1	119260-01770	SUMP ASSY, OIL	1							
13-1	1	119265-01770	SUMP ASSY, OIL	1	1						N
(A=E06625)											
14	2	121400-01640	PLUG, 16	1	1						
16	2	24311-000180	O-RING, 1AP18.0	1	1						G
17	1	26106-060102	BOLT, M6X 10 PLATED	3	3						
18	1	26106-060452	BOLT, M6X 45 PLATED	20	20						

Remarks  
(G) THESE PARTS ARE SOLD BY FIG.17,  
REF.NO.1,1-1.

Fig.4. CYLINDER HEAD & BONNET

Y00D4801  
3TNE68-DW, DW1

4 シリンダヘッド & ボンネット  
CYLINDER HEAD & BONNET



印が今回変更 (追加) した箇所です。  
MARKED PART HAS BEEN CHANGED (ADDED)

Remarks  
(1) REPAIR PART.  
(G) THESE PARTS ARE SOLD BY FIG.17,  
REF.NO.1,1-1.

(A)=3TNE68-DW  
(B)=3TNE68-DW1  
(C)=

(D)=  
(E)=  
(F)=

No.	Lev.	Parts No.	Description	Q'ty						I	R
				(A)	(B)	(C)	(D)	(E)	(F)		
1	1	119285-03140	PIPE , BREATHER	1	1						
2	1	171008-03990	CLIP, HOSE 18.5	2	2						
6	1	119260-07900	LIFTER	2							
6-1	1	119260-07900	LIFTER	1	1						K
(A=FROM 1ST)											
7	1	26106-080142	BOLT, M8X 14 PLATED	1							
7-1	1	26106-080142	BOLT, M8X 14 PLATED	2	2						K
(A=FROM 1ST)											
8	1	26106-080142	BOLT, M8X 14 PLATED	2	2						
9	1	719265-11700	HEAD ASSY, CYLINDER	1							
9-1	1	119265-11700	HEAD ASSY, CYLINDER	1	1						N
(A=E03026)											
13	2	119260-11800	GUIDE, VALVE	6	6						1
16	2	23871-020000	PLUG, R02	2							
16-1	2	23871-030000	PLUG, R03	2	2						S
(A=*1995.04)											
17	2	27221-050080	PLUG, 5X 8	1	1						
18	2	27241-350000	PLUG, 35	2	2						
19	2	119260-11100	VALVE, INTAKE	3	3						
20	2	119260-11110	VALVE, EXHAUST	3	3						
21	2	114250-11120	SPRING, VALVE	6	6						
22	2	114250-11180	RETAINER, SPRING	6	6						
23	2	714250-11570	COTTER ASSY	6	6						
25	2	119260-11340	SEAL, VALVE STEM	6	6						G
26	2	119260-11370	CAP, VALVE	6	6						
26A	2	119600-11450	PROTECTOR, NOZZLE	3	3						W G
(A=E03026)											
26B	2	119600-11460	GASKET, NOZZLE	6	6						W G
(A=E03026)											
27	1	119600-11450	PROTECTOR, NOZZLE	3							Z G
(A=E03026)											
28	1	119600-11460	GASKET, NOZZLE	6							Z G
(A=E03026)											
29	1	119260-11200	SUPPORT ASSY, ARM	1	1						
30	2	119260-11240	SHAFT ASSY, ROCKER	1	1						
33	2	119260-11260	SUPPORT, ROCKER ARM	3	3						
34	2	119260-11270	SCREW	1	1						
35	2	119260-11280	SPRING	2	2						
36	2	719260-11650	ARM ASSY, ROCKER	3	3						
37	3	105010-11230	SCREW, VALVE ADJUST	3	3						
39	3	26756-060002	NUT, LOCK M6	3	3						
40	2	719260-11660	ARM ASSY, ROCKER	3	3						
41	3	105010-11230	SCREW, VALVE ADJUST	3	3						
43	3	26756-060002	NUT, LOCK M6	3	3						
44	2	22242-000100	RING, 10	2	2						
45	1	119620-11350	STUD	2	2						
46	1	26106-080452	BOLT, M8X 45 PLATED	1	1						
47	1	26366-080002	NUT, M8	2	2						
48	1	124160-11360	KNOB	2	2						
49	1	719260-11520	BONNET ASSY, HEAD	1	1						
50	2	124160-01751	COVER, FILLER	1	1						

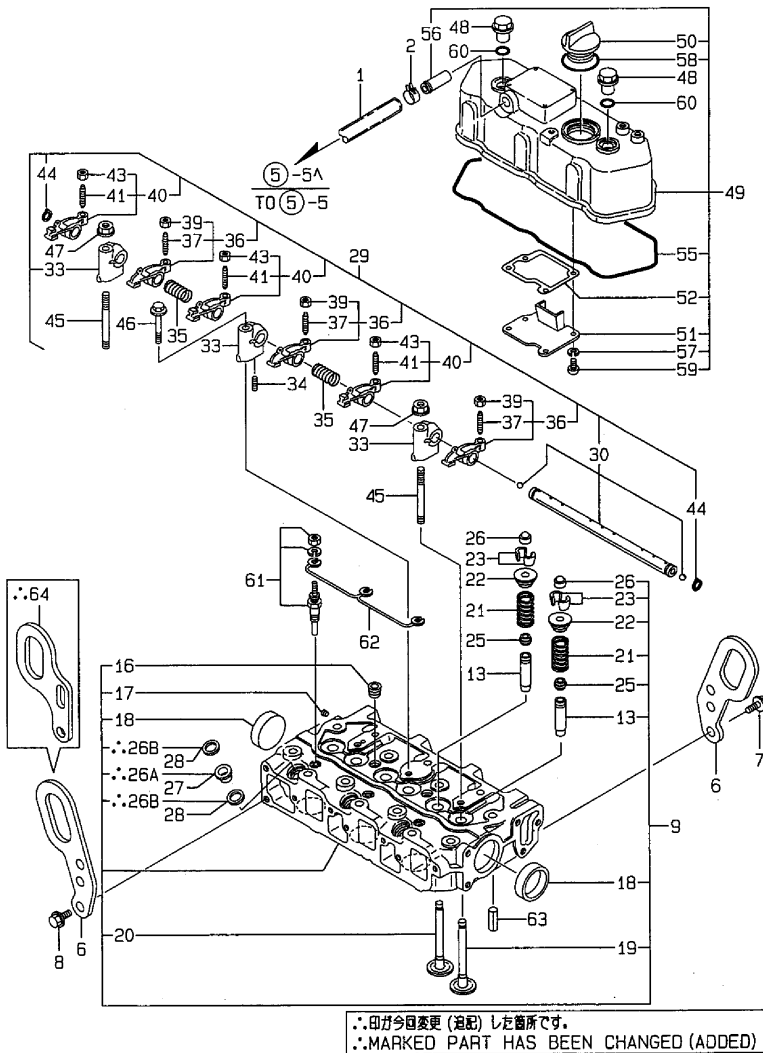
Fig.4. CYLINDER HEAD & BONNET

(A)=3TNE68-DW  
 (B)=3TNE68-DW1  
 (C)=

(D)=  
 (E)=  
 (F)=

Y00D4801  
 3TNE68-DW, DW1

4 シリンダヘッド & ボンネット  
 CYLINDER HEAD & BONNET



No.	Lev.	Parts No.	Description	Q'ty						I	R
				(A)	(B)	(C)	(D)	(E)	(F)		
51	2	119260-03020	PLATE, SHELTER	1	1						
52	2	119260-03031	GASKET	1	1						G
55	2	119260-11310	GASKET, BONNET	1	1						G
56	2	119620-11390	JOINT	1	1						
57	2	22217-050000	WASHER, SPRING 5	4	4						
58	2	24311-000320	O-RING, 1AP32.0	1	1						G
59	2	26557-050102	SCREW, M5X10	4	4						
60	1	24311-000120	O-RING, 1AP12.0	2	2						G
61	1	129795-77800	PLUG, GLOW	3	3						
62	1	119620-77820	CONNECTOR, GLOW PLUG	1	1						
63	1	22351-060012	PIN, SPRING 6.0X12	2	2						
64	1	119285-07900	LIFTER	1	1						W

(A)=FROM 1ST

Remarks  
 (1) REPAIR PART.  
 (G) THESE PARTS ARE SOLD BY FIG.17,  
 REF.NO.1,1-1.



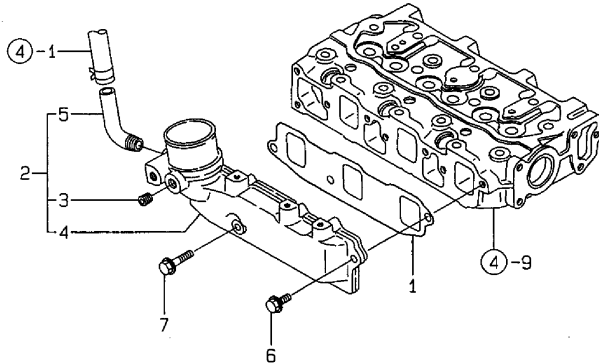
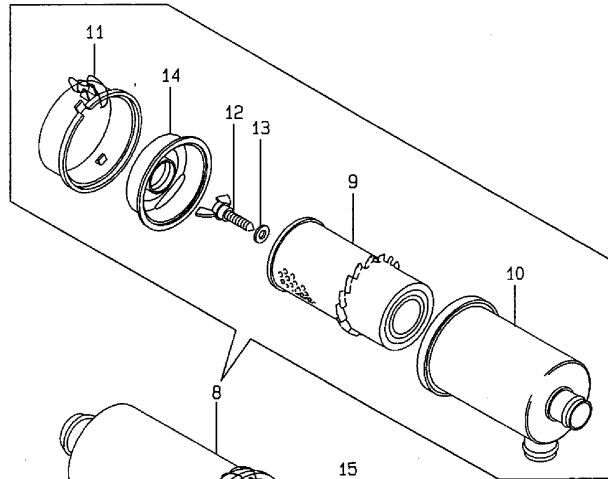
# Fig.5. SUC.MANIFOLD & CLEANER

(A)=3TNE68-DW  
 (B)=3TNE68-DW1  
 (C)=

(D)=  
 (E)=  
 (F)=

Y00D4801  
 3TNE68-DW, DW1

5 キュウキマニホールド & エアクリーナ  
 SUC.MANIFOLD & AIR CLEANER



No.	Lev.	Parts No.	Description	Q'ty						I	R
				(A)	(B)	(C)	(D)	(E)	(F)		
1	1	119270-12110	GASKET, MANIFOLD	1	1						G
2	1	119285-12730	MANIFOLD ASSY,INTAKE	1	1						
3	2	119285-01730	PLUG, NPT1/8	1	1						
4	2	119285-12100	MANIFOLD, AIR INTAKE	1	1						
5	2	121500-12790	JOINT, PIPE PT1/4	1	1						
6	1	26106-060162	BOLT, M6X 16 PLATED	2	2						
7	1	26106-060282	BOLT, M6X 28 PLATED	1	1						
8	1	171033-12500	CLEANER ASSY, AIR	1							
9	2	171033-12510	ELEMENT	1							
10	2	171033-12540	CASE ASSY, CLEANER	1							
11	2	171033-12560	PAN ASSY, DUST	1							
12	2	124064-12680	BOLT	1							
13	2	124064-12690	WASHER	1							
14	2	121465-12700	RETAINER, ELEMENT	1							
15	1	171126-12580	BAND, AIR CLEANER	1							
15-1	1	119332-12580	BAND, AIR CLEANER	1	1						N

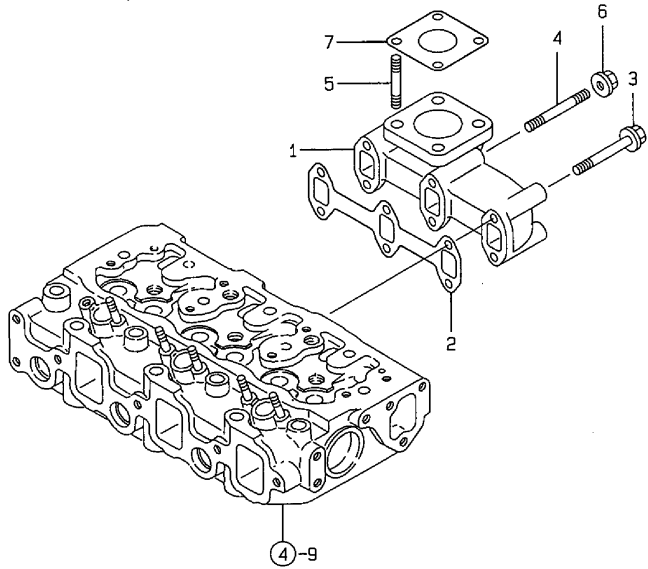
(A=E01165)

Remarks  
 (G) THESE PARTS ARE SOLD BY FIG.17,  
 REF.NO.1,1-1.

# Fig.6. EXH.MANIFOLD

Y00D4801  
3TNE68-DW, DW1

6 ハイキマニホールド  
EXH. MANIFOLD



(A)=3TNE68-DW  
(B)=3TNE68-DW1  
(C)=

(D)=  
(E)=  
(F)=

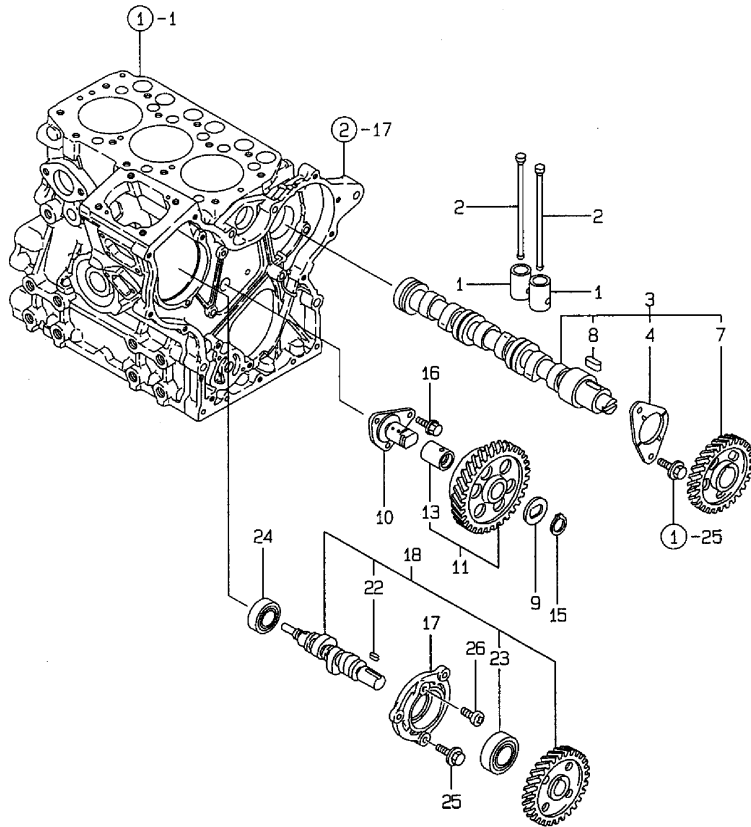
No.	Lev.	Parts No.	Description	Q'ty						I	R
				(A)	(B)	(C)	(D)	(E)	(F)		
1	1	119280-13100	MANIFOLD, EXHAUST	1	1						
2	1	119260-13110	GASKET	1	1						G
3	1	26106-060402	BOLT, M6X 40 PLATED	4	4						
4	1	26216-060402	STUD, M6X 40	2	2						
5	1	26216-080222	STUD, M8X 22	4	4						
6	1	26366-060002	NUT, M6	2	2						
7	1	124701-11911	GASKET, SILENCER	1	1						G

Remarks  
(G) THESE PARTS ARE SOLD BY FIG.17,  
REF.NO.1,1-1.

# Fig.7. CAMSHAFT & DRIVING GEAR

Y0004801  
3TNE68-DW, DW1

カムシャフト & ドウギヤ  
CAMSHAFT & DRIVING GEAR



(A)=3TNE68-DW  
(B)=3TNE68-DW1  
(C)=

(D)=  
(E)=  
(F)=

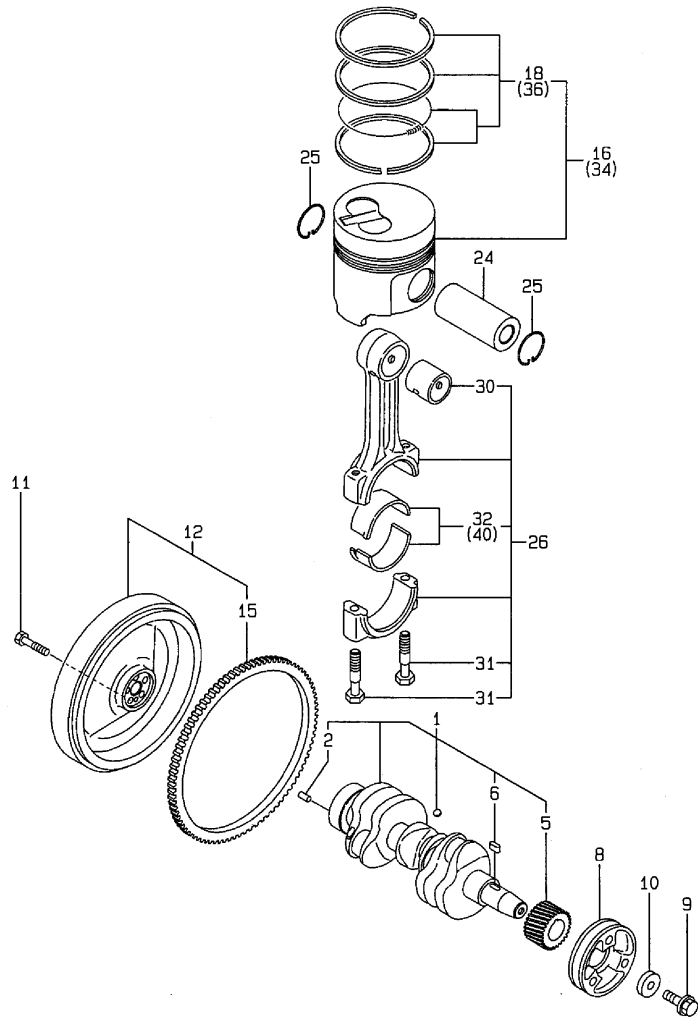
No.	Lev.	Parts No.	Description	Q'ty						I	R
				(A)	(B)	(C)	(D)	(E)	(F)		
1	1	119260-14200	TAPPET	6	6						
2	1	119260-14400	ROD, PUSH	6	6						
3	1	119260-14580	CAMSHAFT ASSY	1	1						
4	2	119620-02450	BEARING, THRUST	1	1						
7	2	119260-14100	GEAR, CAMSHAFT	1	1						
8	2	22512-040120	KEY, 4X 12	1	1						
9	1	119660-25022	RETAINER	1	1						
10	1	119660-25052	SHAFT, IDLE	1	1						
11	1	119260-25100	GEAR ASSY, IDLE	1	1						
13	2	119620-25912	BUSH	1	1						1
15	1	22242-000200	RING, 20	1	1						
16	1	26106-060122	BOLT, M6X 12 PLATED	3	3						
17	1	119660-01821	BEARING, FUEL CAM	1	1						
18	1	119225-14200	CAM ASSY	1	1						
22	2	22512-040120	KEY, 4X 12	1	1						
23	2	24102-063034	BEARING, BALL 6303U	1	1						
24	1	24101-062034	BEARING, BALL 6203	1	1						
25	1	26106-060162	BOLT, M6X 16 PLATED	3	3						
26	1	26587-080102	SCREW, M8X10	1	1						

Remarks  
(1) REPAIR PART.

# Fig.8. CRANKSHAFT & PISTON

Y00D4801  
3TNE68-DW, DW1

クランクシャフト & ピストン  
CRANKSHAFT & PISTON



(A)=3TNE68-DW  
(B)=3TNE68-DW1  
(C)=

(D)=  
(E)=  
(F)=

No.	Lev.	Parts No.	Description	Q'ty						I	R
				(A)	(B)	(C)	(D)	(E)	(F)		
1	1	119265-21700	CRANKSHAFT ASSY	1	1						
2	2	129100-01580	PIN, M8X16	1	1						
5	2	119260-21200	GEAR, CRANKSHAFT	1	1						
6	2	22512-040120	KEY, 4X 12	1	1						
8	1	119244-21650	V-PULLEY	1	1						
9	1	119621-21680	BOLT, FLANGE 12X1.25	1	1						
10	1	119620-21941	WASHER	1	1						
11	1	121111-21501	BOLT, FLYWHEEL	5	5						
12	1	119643-21590	FLYWHEEL ASSY	1	1						
15	2	119865-21600	GEAR, RING	1	1						
16	1	119265-22090	PISTON ASSY	3	3						
18	2	119265-22500	RING SET, PISTON	3	3						
24	1	119265-22300	PIN, PISTON	3	3						
25	1	22252-000200	RING, 20	6	6						
26	1	119265-23100	ROD ASSY, CONNECTING	3	3						
30	2	119260-23910	BEARING, PISTON PIN	3	3						1
31	2	119265-23200	BOLT, CONNECTING ROD	6	6						
32	2	719260-23600	BEARING, CRANK PIN	3	3						
34	1	719265-22900	PISTON ASSY, 0.25 OS	3	3						2
36	2	719265-22950	RING SET, 0.25 OS	3	3						2
40	1	719260-23610	BEARING ASSY, 0.25	3	3						3

Remarks

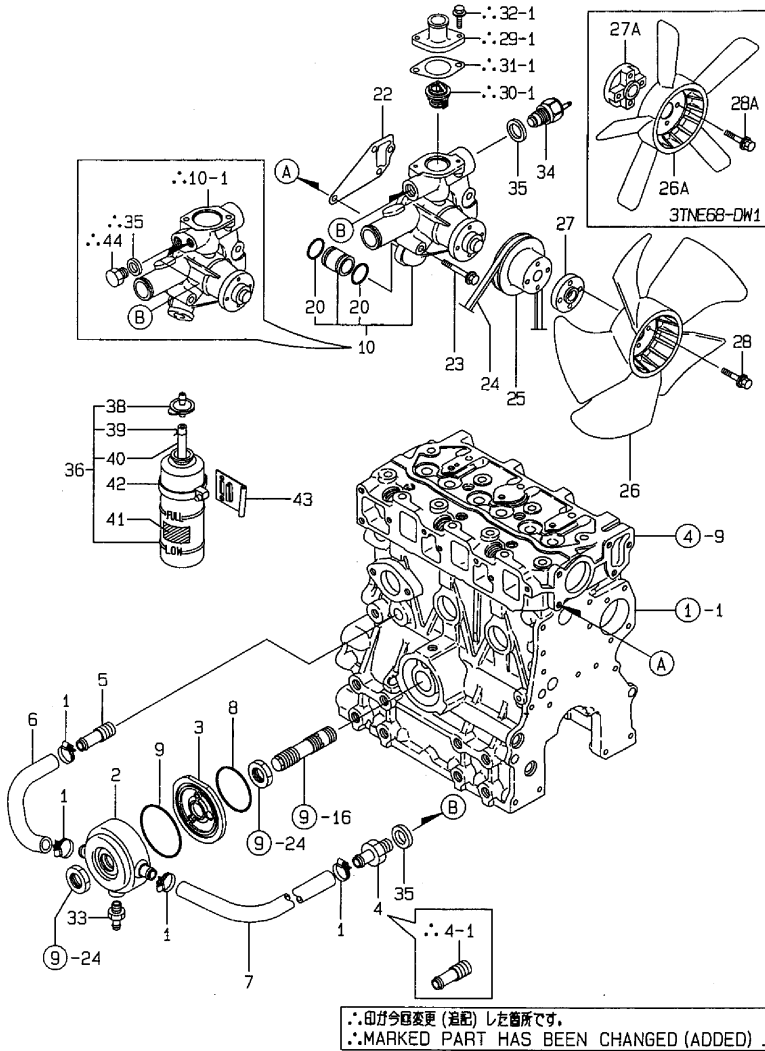
- (1) REPAIR PART.
- (2) OVER-SIZE(O.S=0.25)PART.
- (3) UNDER-SIZE(U.S=0.25)PART.



Fig.10. COOLING WATER SYSTEM

Y00D4801  
3TNE68-DW, DW1

10 C.W. システム  
COOLING WATER SYSTEM



(A)=3TNE68-DW  
(B)=3TNE68-DW1  
(C)=

(D)=  
(E)=  
(F)=

No.	Lev.	Parts No.	Description	Q'ty						I	R
				(A)	(B)	(C)	(D)	(E)	(F)		
1	1	171008-03990	CLIP, HOSE 18.5	4	4						
2	1	119642-33030	COOLER, OIL	1	1						
3	1	119642-33100	BRACKET, COOLER	1	1						
4	1	119265-44400	JOINT, PIPE	1							
4-1	1	129122-44480	JOINT	1	1						S
(A=E01294)											
5	1	129122-44480	JOINT	1	1						
6	1	119642-49030	PIPE, WATER	1	1						
7	1	129403-49050	PIPE, WATER	1	1						
8	1	24321-000600	O-RING, 1AG60.0	1	1						G
9	1	24321-000700	O-RING, 1AG70.0	1	1						G
10	1	119265-42000	PUMP ASSY, WATER	1							
10-1	1	119265-42001	PUMP ASSY, WATER	1							N
(A=E01294)											
10-2	1	119265-42002	PUMP ASSY, WATER	1	1						N
(A=E05423)											
20	2	24311-000210	O-RING, 1AP21.0	2	2						
22	1	119260-42020	GASKET, WATER PUMP	1	1						G
23	1	26106-080452	BOLT, M8X 45 PLATED	3	3						
24	1	119256-42290	V-BELT, FM33.5	1	1						
25	1	119620-42350	V-PULLEY	1	1						
26	1	119265-44740	FAN, D=310X5F	1							
26A	1	119631-44740	FAN, COOLING D=310		1						
27	1	171009-44760	SPACER	1							
27A	1	121267-44760	SPACER		1						
28	1	26014-060222	BOLT, M6X 22	4							
28A	1	26014-060302	BOLT, M6X 30		4						
29	1	119260-49530	COVER, THERMOSTAT	1							M
29-1	1	129350-49530	COVER, THERMOSTAT	1	1						
30	1	119260-49800	THERMOSTAT, 71	1							M
30-1	1	129350-49800	THERMOSTAT, 71	1	1						
31	1	24321-000350	O-RING, 1AG35.0	1							M
31-1	1	129350-49541	GASKET	1	1						G
32	1	26106-060182	BOLT, M6X 18 PLATED	2							M
32-1	1	26106-080202	BOLT, M8X 20 PLATED	2	2						
33	1	121550-49111	JOINT, PT1/4	1	1						
34	1	119265-44900	SWITCH, 115	1							
34-1	1	121250-44901	SWITCH, 110	1	1						N
(A=E05471)											
35	1	124465-44950	GASKET, 16	2	2						G
36	1	124450-44510	TANK ASSY, SUB	1	1						
38	2	124450-44530	CAP	1	1						
39	2	124450-44560	RETAINER	1	1						
40	2	23061-070230	PIPE, 7X 230	1	1						
41	1	121470-44540	LABEL, SUB-TANK	1	1						
42	1	124450-44550	BAND	1	1						
43	1	121256-44600	BRACKET, SUB TANK	1	1						
44	1	121450-42450	PLUG, M16	1	1						W

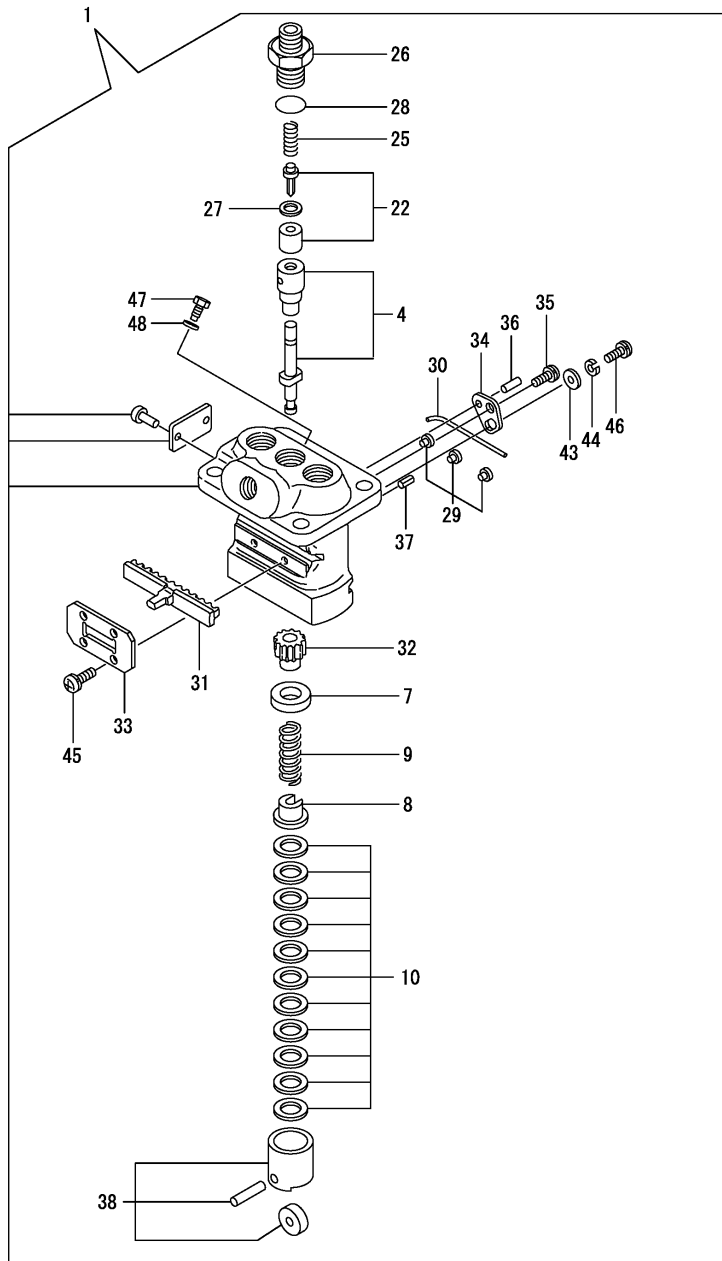
(A=E01294)

Remarks  
(G) THESE PARTS ARE SOLD BY FIG.17,  
REF.NO.1,1-1.  
(M) MISPRINT.

Fig.11. FUEL INJECTION PUMP

(A)=3TNE68-DW  
 (B)=3TNE68-DW1  
 (C)=

(D)=  
 (E)=  
 (F)=



No.	Lev.	Parts No.	Description	Q'ty						I	R
				(A)	(B)	(C)	(D)	(E)	(F)		
1	1	719225-51100	PUMP ASSY, INJECTION	1	1						
1-1	1	719265-51750 (B=E75613)	PUMP ASSY, INJECTION		1						N
4	2	119225-51100	PLUNGER ASSY	3	3						
7	2	119620-51170	RETAINER, SPRING A	3	3						
8	2	119620-51180	RETAINER, SPRING B	3	3						
9	2	119620-51190	SPRING, PLUNGER	3	3						
10	2	119620-51250	SHIM SET	3	3						
22	2	119225-51300	VALVE ASSY, DELIVERY	3	3						
25	2	105546-51330	SPRING, DELIVERY	3	3						
26	2	119620-51340	HOLDER, DELIVERY	3	3						
27	2	119620-51350	GASKET	3	3						
28	2	119620-51370	O-RING	3	3						
29	2	119620-51450	PIECE	3	3						
30	2	119620-51461	PIN	1	1						
31	2	119660-51500	RACK, CONTROL	1	1						
32	2	119620-51510	PINION	3	3						
33	2	119660-51530	RETAINER, RACK	1	1						
34	2	119620-51650	PLATE	2	2						
35	2	119620-51660	SCREW	2	2						
36	2	119620-51670	PIN	2	2						
37	2	119620-51680	PIN	1	1						
38	2	119620-51700	TAPPET ASSY	3	3						
43	2	22137-040000	WASHER, 4	2	2						
44	2	22217-040000	WASHER, SPRING 4	2	2						
45	2	26022-040082	SCREW, M4X 8	4	4						
46	2	26587-040102	SCREW, M4X10	2	2						
47	2	119266-51900 (B=E75613)	BOLT		1						Z
48	2	22190-080002 (B=E75613)	WASHER, SEAL 6		1						Z

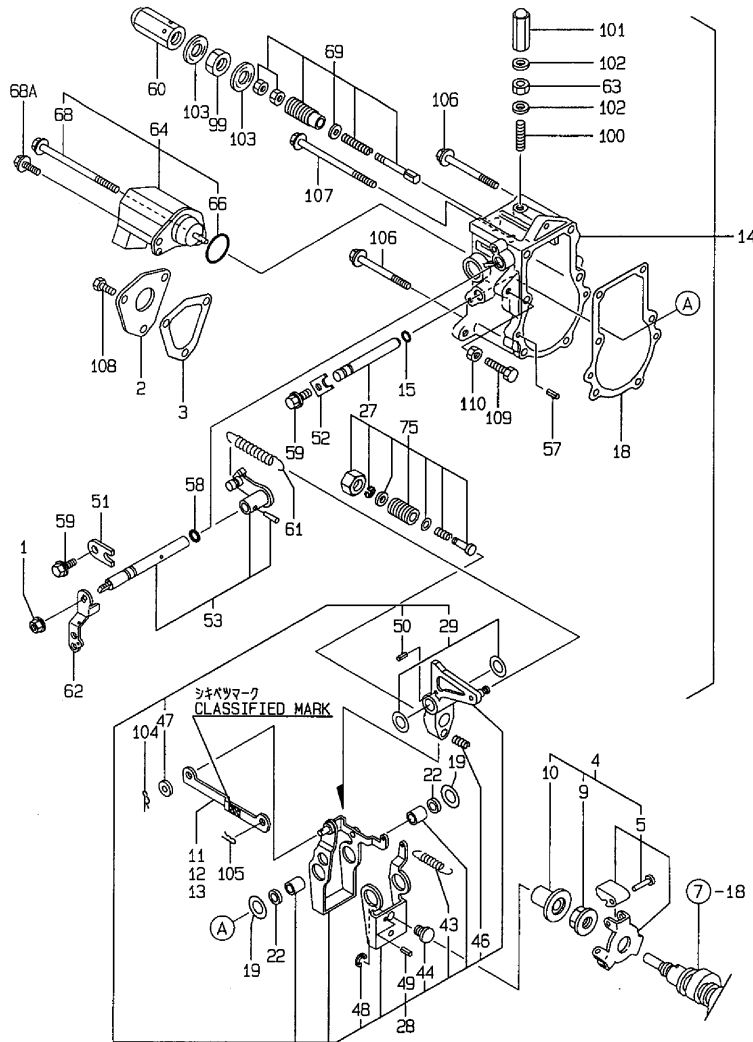
Fig.12. GOVERNOR

(A)=3TNE68-DW  
(B)=3TNE68-DW1  
(C)=

(D)=  
(E)=  
(F)=

Y00D4801  
3TNE68-DW, DW1

12 ガバナー  
GOVERNOR



No.	Lev.	Parts No.	Description	Q'ty						I	R
				(A)	(B)	(C)	(D)	(E)	(F)		
1	1	194990-22050	NUT, M8	1	1						
2	1	119660-61060	COVER, GOVERNOR CASE	1	1						
3	1	119660-61071	GASKET	1	1						
4	1	119600-61100	DRIVE ASSY	1	1						
5	2	119600-61200	WEIGHT ASSY,GOVERNOR	1	1						
9	2	119660-61300	NUT	1	1						
10	2	119660-61341	SLEEVE	1	1						
11	1	119660-61121	LINK, NO MARK	1	1						1
12	1	119660-61140	LINK, MARK :2	1	1						1
13	1	119660-61150	LINK, MARK :3	1	1						1
14	1	119265-61200	CASE ASSY, GOVERNOR	1	1						
15	2	129155-51280	O-RING, S6	1	1						
18	2	119660-61052	GASKET	1	1						
19	2	119660-61460	SHIM SET	1	1						
22	2	129155-61480	SPACER ASSY	2	2						
27	2	119660-61491	SHAFT	1	1						
28	2	119265-61510	LEVER ASSY, GOVERNOR	1	1						
29	3	174307-51700	SHIM SET	2	2						
43	3	119232-61540	SPRING	1	1						
44	3	119600-61540	SHIFTER	1							
44-1	3	119600-61541	SHIFTER	1	1						N
(A=*1995.03)											
46	3	119660-61651	SPRING, STARTING	1	1						
47	3	22117-040000	WASHER, 4	1	1						
48	3	22272-000040	RING, E- 4	1	1						
49	3	22351-020004	PIN, SPRING 2.0X 4	1							Z
(A=*1995.03)											
50	3	22351-030014	PIN, SPRING 3.0X14	1	1						
51	2	119600-61900	RETAINER, SHAFT	1	1						
52	2	119660-61901	RETAINER, SHAFT	1	1						
53	2	119285-66080	SHAFT ASSY	1	1						
57	2	22351-040010	PIN, SPRING 4.0X10	2	2						
58	2	24341-000070	O-RING, 1AS7.0	1	1						
59	2	26106-060102	BOLT, M6X 10 PLATED	2	2						
60	1	129100-61930	NUT, CAP	1	1						
61	1	119260-66010	SPRING, REGULATOR	1	1						
62	1	119621-66051	LEVER, REGULATOR	1	1						
63	1	124550-66370	NUT, M6	1	1						
64	1	119285-66500	STOPPER ASSY	1	1						
66	2	24341-000280	O-RING, 1AS28.0	1	1						
68	2	26106-060952	BOLT, M6X 95 PLATED	1	1						
68A	1	121465-59950	BOLT, M6X16	1	1						W
(A=FROM 1ST)											
69	1	119600-66530	LIMITER ASSY, FUEL	1	1						
75	1	119600-66700	ANGLEICH ASSY	1	1						
99	1	124772-66750	NUT, LOCK M12	1							
99-1	1	26776-120002	NUT, LOCK M12	1	1						R
(A=E05638)											
100	1	121575-66830	SCREW	1	1						
101	1	119600-66840	NUT, CAP	1	1						
102	1	22190-060003	SEAL WASER 6	2	2						

Remarks

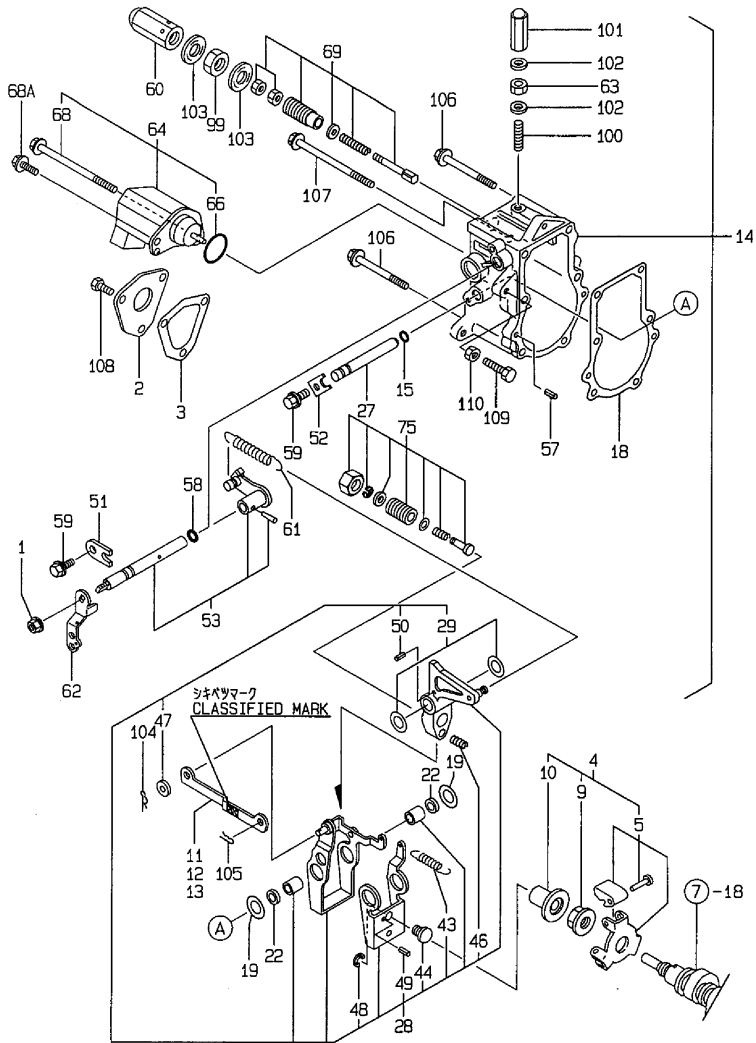
(1) SELECTIVE PARTS : CERTAIN THE CLASSIFICATION MARK, THEN PLACE YOUR ORDER.(REF. TO ILLUSTRATION)



Fig.12. GOVERNOR

Y00D4801  
37NE68-DW, DW1

12 ガバナー  
GOVERNOR



(A)=3TNE68-DW  
(B)=3TNE68-DW1  
(C)=

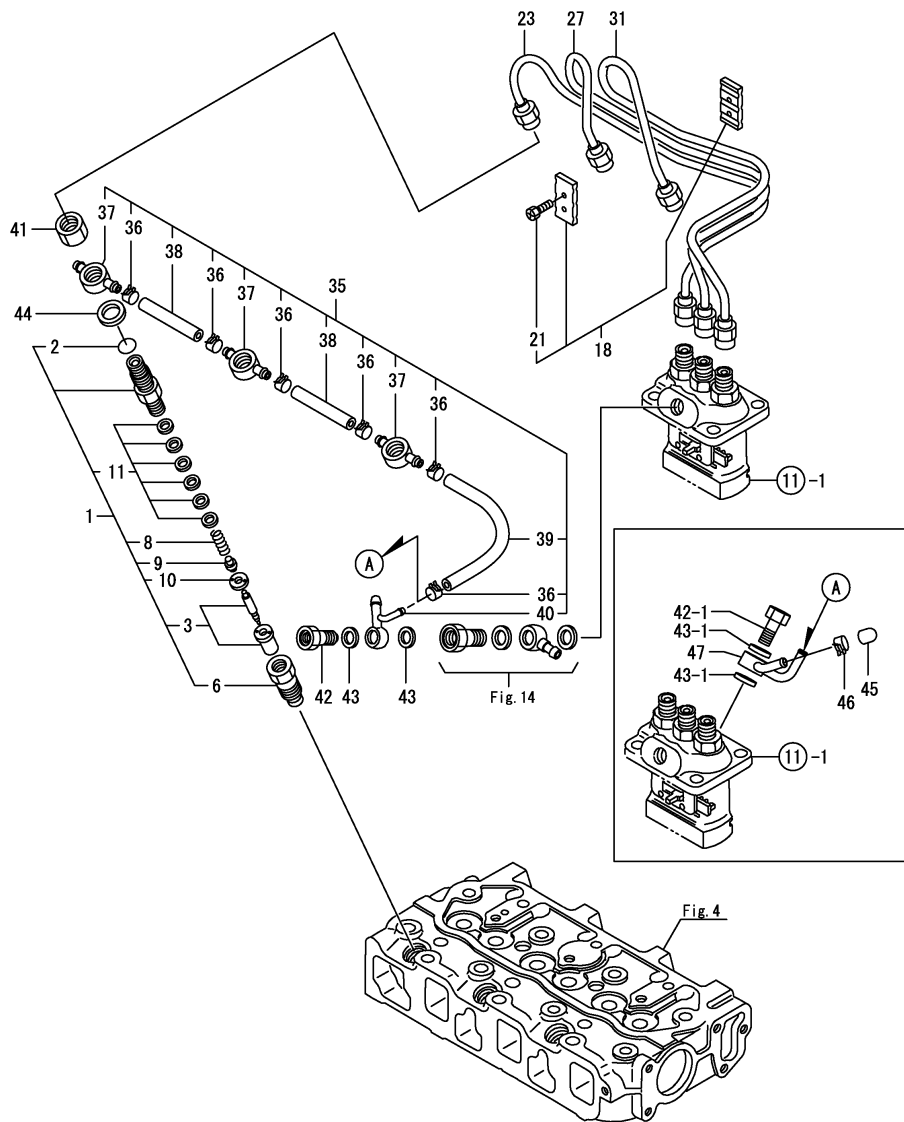
(D)=  
(E)=  
(F)=

No.	Lev.	Parts No.	Description	Q'ty						I	R
				(A)	(B)	(C)	(D)	(E)	(F)		
103	1	22190-120002	WASHER, SEAL 12	2	2						
104	1	22360-040000	PIN, SNAP 4	1	1						
105	1	22360-060000	PIN, SNAP 6	1	1						
106	1	26106-060702	BOLT, M6X 70 PLATED	5	5						
107	1	26106-060952	BOLT, M6X 95 PLATED	1	1						
108	1	26116-050102	BOLT, M5X 10 PLATED	3	3						
109	1	26116-060304	BOLT, M6X 30 PLATED	1	1						
110	1	26756-060002	NUT, LOCK M6	1	1						

Remarks

(1) SELECTIVE PARTS : CERTAIN THE CLASSIFICATION MARK, THEN PLACE YOUR ORDER.(REF. TO ILLUSTRATION)

# Fig.13. FUEL INJECTION VALVE



(A)=3TNE68-DW  
(B)=3TNE68-DW1  
(C)=

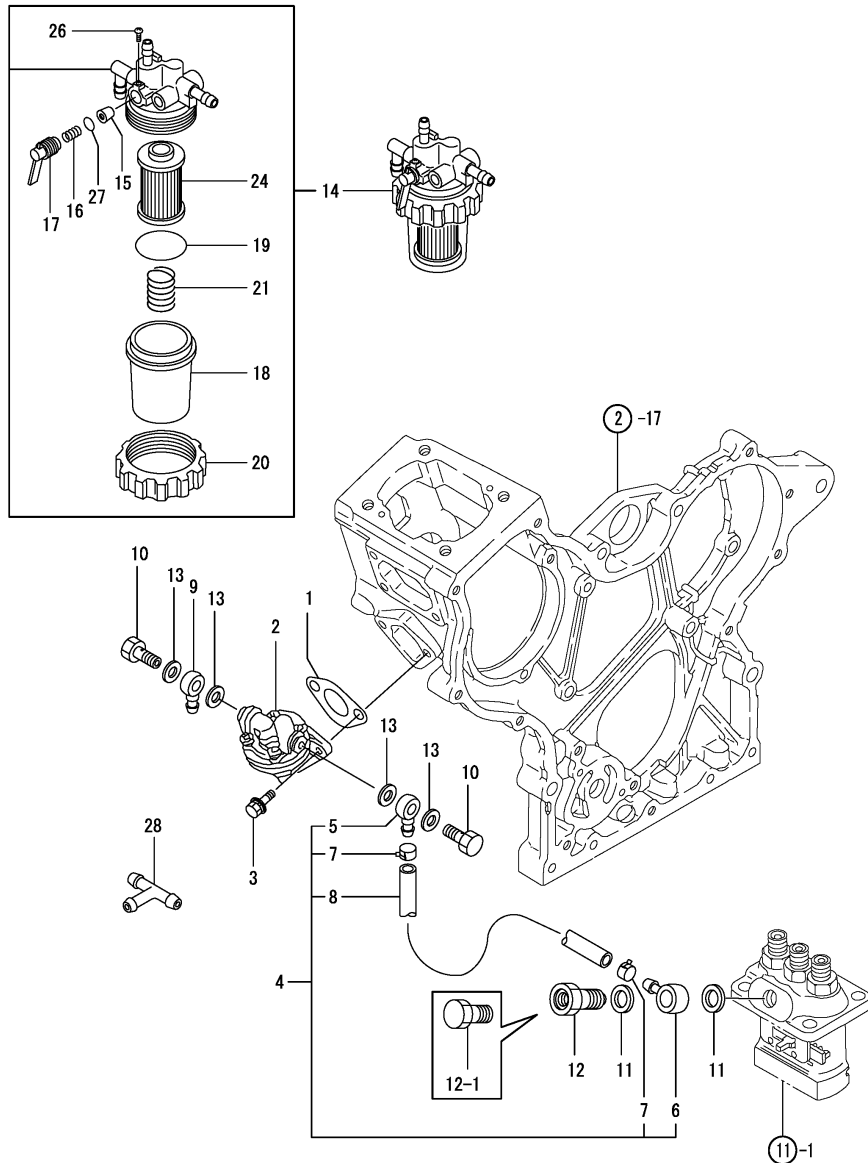
(D)=  
(E)=  
(F)=

No.	Lev.	Parts No.	Description	Q'ty						I	R
				(A)	(B)	(C)	(D)	(E)	(F)		
1	1	719620-53700	VALVE ASSY,INJECTION	3	3						
1-1	1	719255-53100 (B=E75613)	VALVE ASSY,INJECTION		3						N
2	2	129155-51580	O-RING	3	3						G
2-1	2	158552-51930 (B=E75613)	O-RING, 4D S10		3						N
3	2	119620-53000	VALVE ASSY,INJECTION	3	3						
6	2	119620-53080	NUT, NOZZLE	3	3						
7-1	2	119255-53100 (B=E75613)	HOLDER ASSY, NOZZLE		3						N
8	2	119620-53120	SPRING, NOZZLE	3	3						
9	2	114250-53130	SEAT, SPRING	3	3						
10	2	119620-53140	SPACER, VALVE STOP	3	3						
11	2	114250-53400	SHIM SET	3	3						
18	1	129150-59120	RETAINER, PIPE	1	1						
21	2	129150-59130	BOLT, M4X12		2						
21-1	2	129150-59131 (A=E04413)	BOLT, M4X14		2						N
23	1	119225-59810	PIPE ASSY, INJECTION	1	1						
27	1	119260-59820	PIPE ASSY, INJECTION	1	1						
31	1	119260-59830	PIPE ASSY, INJECTION	1	1						
35	1	119643-59540	PIPE ASSY, RETURN	1	1						
35-1	1	119265-59540 (B=E75613)	PIPE ASSY, RETURN		1						N
36	2	124066-59100	CLIP, HOSE 8	6	6						
37	2	119260-59530	JOINT	3	3						
38	2	105025-59550	PIPE, FUEL RETURN	2	2						
39	2	119642-59550	PIPE, FUEL RETURN	1	1						
39-1	2	105425-59550 (B=E75613)	PIPE, FUEL RETURN		1						N
40	2	119643-59570	JOINT, OVER FLOW	1	1						
41	1	119620-59700	NUT, NOZZLE	3	3						
42	1	124550-59820	BOLT, PIPE JOINT M8	1	1						
42-1	1	119266-59580 (B=E75613)	BOLT, PIPE JOINT M8		1						N
43	1	23414-080012	GASKET, 8X1.0	2	2						G
43-1	1	22190-080002 (B=EZZZZZ)	WASHER, SEAL 6		2						N
44	1	23414-140000	GASKET, 14X1.0	3	3						G
44-1	1	22190-140002 (B=EZZZZZ)	WASHER, SEAL 14		3						N
45	1	129150-59580 (B=E75613)	CAP		1						W
46	1	124066-59100 (B=E75613)	CLIP, HOSE 8		1						W
47	1	119309-59570 (B=E75613)	JOINT		1						W

Remarks

(G) THESE PARTS ARE SOLD BY FIG.17,  
REF.NO.1,1-1.

Fig.14. FUEL LINE



(A)=3TNE68-DW  
(B)=3TNE68-DW1  
(C)=

(D)=  
(E)=  
(F)=

No.	Lev.	Parts No.	Description	Q'ty						I	R
				(A)	(B)	(C)	(D)	(E)	(F)		
1	1	121520-01851	GASKET	1	1						G
2	1	119600-52021	PUMP ASSY, FUEL FEED	1	1						
3	1	26106-060162	BOLT, M6X 16 PLATED	2	2						
4	1	119650-59010	PIPE ASSY, FUEL	1	1						
5	2	101304-59020	JOINT, PIPE 12	1	1						
6	2	104264-59030	JOINT, PIPE 8	1	1						
7	2	124766-59050	CLIP, HOSE 12	2	2						
8	2	106430-59560	PIPE, FUEL	1	1						
9	1	104264-59030	JOINT, PIPE 8	1	1						
10	1	105582-59150	BOLT, PIPE JOINT	2	2						
11	1	104200-59170	GASKET, 12	2	2						G
11-1	1	22190-120002	WASHER, SEAL 12		2						N
(B=EZZZZZ)											
12	1	119650-59200	BOLT, PIPE JOINT M12	1	1						
12-1	1	105340-59190	BOLT ASSY, JOINT		1						N
(B=E75613)											
13	1	23414-080012	GASKET, 8X1.0	4							G
13-1	1	22190-080002	WASHER, SEAL 6	4	4						N G
(A=E02000)											
14	1	119643-55610	FILTER ASSY, FUEL	1	1						
15	2	104200-55321	VALVE, TAPER	1	1						
16	2	104200-55330	SPRING, VALVE	1	1						
17	2	119810-55340	LEVER	1	1						
18	2	121254-55510	COVER	1	1						
19	2	102103-55520	O-RING	1	1						
20	2	110250-55610	RING, RETAINING	1	1						
21	2	121250-55620	SPRING	1	1						
24	2	124550-55700	FILTER, FUEL L=90	1	1						
26	2	104200-55750	SCREW, M4	1	1						
27	2	24311-240100	O-RING, 1AP10A	1	1						
28	1	119643-55620	JOINT, 3-WAY	1	1						

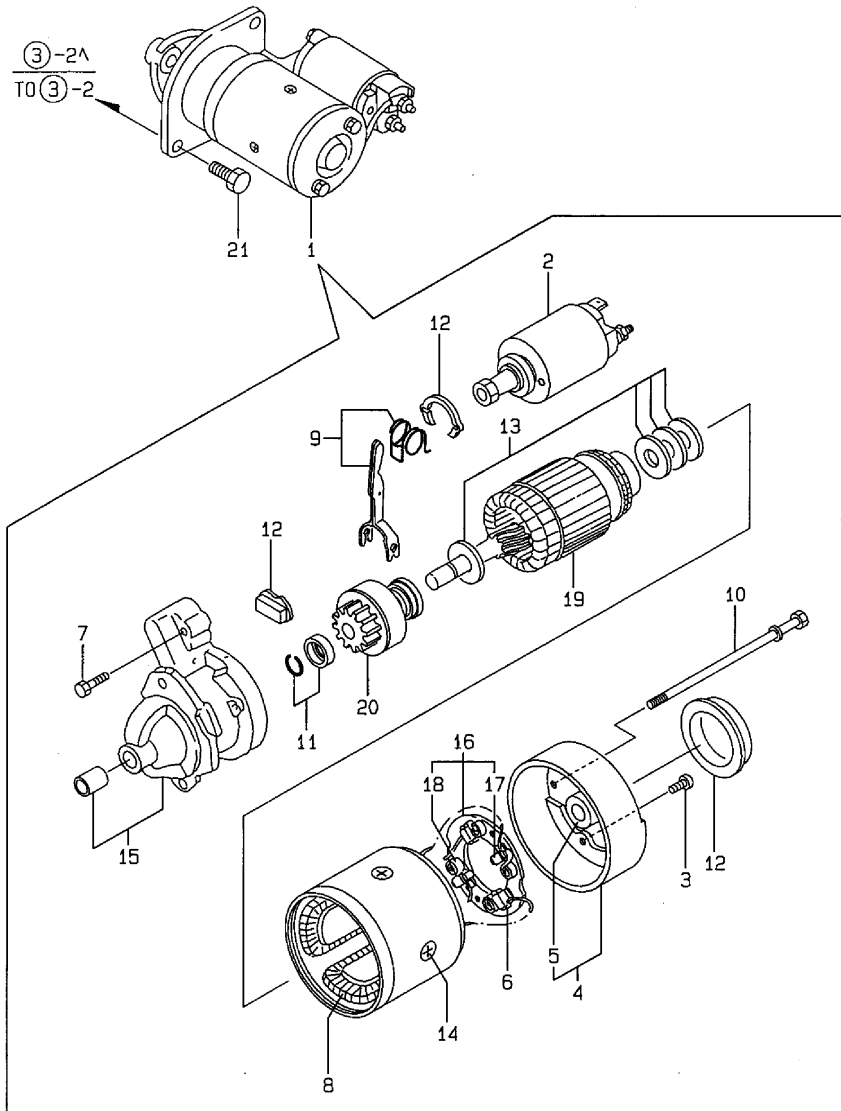
Remarks

(G) THESE PARTS ARE SOLD BY FIG.17,  
REF.NO.1,1-1.

Fig.15. STARTING MOTOR

Y00D4801  
3TNE68-DW, DW1

15 スターティングモータ  
STARTING MOTOR



(A)=3TNE68-DW  
(B)=3TNE68-DW1  
(C)=

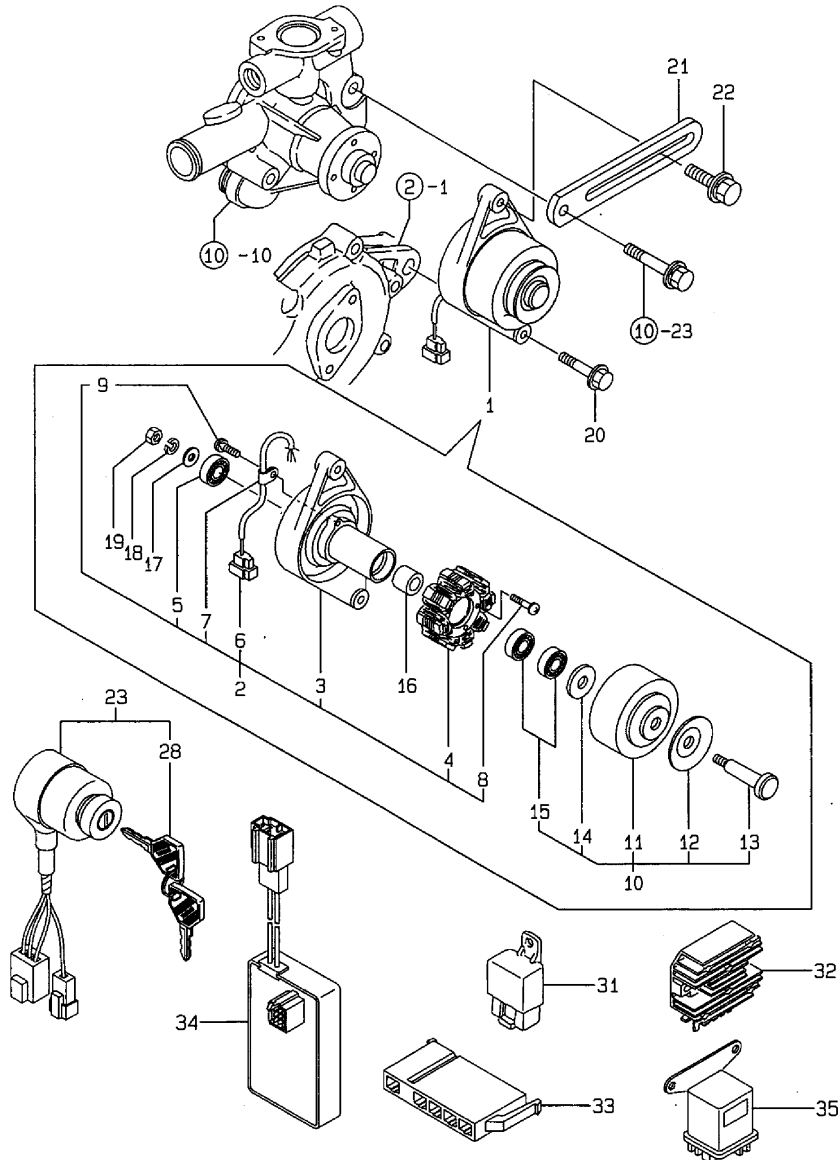
(D)=  
(E)=  
(F)=

No.	Lev.	Parts No.	Description	Q'ty						I	R
				(A)	(B)	(C)	(D)	(E)	(F)		
1	1	119631-77010	STARTER	1	1						
2	2	X2114275070	SWITCH, MAGNETIC	1	1						
3	2	X2114283500	SCREW SET	1	1						
4	2	X2114430010	COVER ASSY, REAR	1	1						
5	3	X2114535200	METAL, STARTER	1	1						
6	2	X2114531200	BRUSH (+)	2	2						
7	2	X2114586700	BOLT M6X 37	2	2						
8	2	X2114631090	COIL ASSY, FIELD	1	1						
9	2	X2114660130	LEVER KIT, SHIFT	1	1						
10	2	X2114680050	BOLT, THROUGH	2	2						
11	2	X2114715500	STOPPER SET, PINION	1	1						
12	2	X2114780060	COVER ASSY, DUST	1	1						
13	2	X2114811000	WASHER KIT, THRUST	1	1						
14	2	X2114821500	SCREW SET	1	1						
15	2	X2114966130	CASE ASSY, GEAR	1	1						
16	2	X2114990010	HOLDER ASSY, BRUSH	1	1						
17	3	X2114831300	BRUSH (-)	1	1						
18	3	X2114931400	SPRING, BRUSH	3	3						
19	2	124190-77110	ARMATURE ASSY	1	1						
20	2	124190-77760	PINION ASSY	1	1						
21	1	26116-120252	BOLT, M12X 25 PLATED	2	2						

Fig.16. GENERATOR

Y00D4801  
3TNE68-DW, DW1

16 ジェネレータ  
GENERATOR



(A)=3TNE68-DW  
(B)=3TNE68-DW1  
(C)=

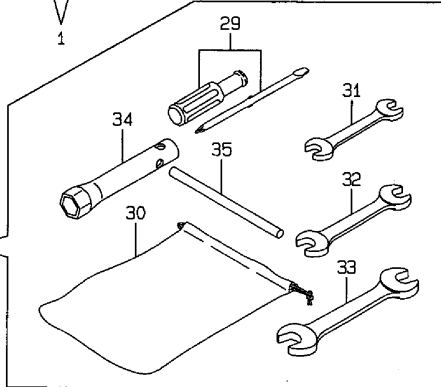
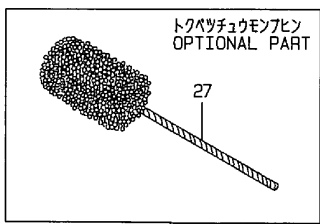
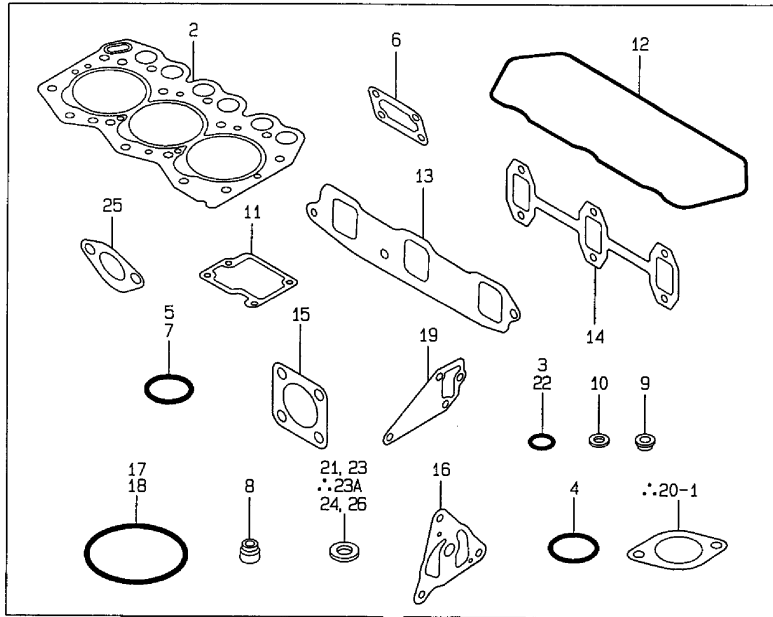
(D)=  
(E)=  
(F)=

No.	Lev.	Parts No.	Description	Q'ty						I	R
				(A)	(B)	(C)	(D)	(E)	(F)		
1	1	171301-77201	DYNAMO ASSY, 15A	1	1						
2	2	XM08137	PLATE ASSY	1	1						
3	3	XM08138	PLATE	1	1						
4	3	XM08180	STATOR ASSY	1	1						
5	3	XM27436	BALL BEARING	1	1						
6	3	XM17878	COUPLER	1	1						
7	3	XM36410	CLAMP	1	1						
8	3	26022-040252	SCREW, M4X25	2	2						
9	3	XYSPS4008	SCREW	1	1						
10	2	XM82184	FLYWHEEL ASSY	1	1						
11	3	XM82110	FLYWHEEL	1	1						
12	3	XM72174	PULLEY	1	1						
13	3	XM72664	SHAFT	1	1						
14	3	XM37336	WASHER	1	1						
15	3	XM27436	BALL BEARING	2	2						
16	2	106383-44720	SPACER	1	1						
17	2	106383-44730	WASHER	1	1						
18	2	22212-100000	SPRING WASHER 10	1	1						
19	2	26716-100002	NUT, M10	1	1						
20	1	26106-100402	BOLT, M10X 40 PLATED	1	1						
21	1	121450-77330	ADJUSTER	1	1						
22	1	26014-080252	BOLT, M8X 25	1	1						
23	1	194940-52110	SWITCH, STARTING	1	1						
28	2	198360-52160	KEY ASSY	1	1						
31	1	119247-77100	RELAY, SAFETY	1	1						
32	1	119660-77710	LIMITER, CURRENT 15A	1	1						
32-1	1	119660-77711	LIMITER, CURRENT 15A	1	1						N
		(A=*1999.07.) (B=E48182)									
33	1	171301-77720	COUPLER	1	1						
34	1	119265-77800	RELAY, EMERGENCY	1							
34-1	1	119265-77801	RELAY, EMERGENCY	1	1						R
		(A=E07331)									
35	1	119650-77910	RELAY ASSY, GLOW	1	1						

Fig.17. GASKET SET

Y00D4801  
3TNE68-DW, DW1

17 パッキンセット  
GASKET SET



※印が今回変更 (追加) した箇所です。  
※.MARKED PART HAS BEEN CHANGED (ADDED).

(A)=3TNE68-DW  
(B)=3TNE68-DW1  
(C)=

(D)=  
(E)=  
(F)=

No.	Lev.	Parts No.	Description	Qty						I	R
				(A)	(B)	(C)	(D)	(E)	(F)		
1	1	719265-92610	GASKET SET	1							1
1-1	1	719265-92611	GASKET SET	1	1						N 1
(A=E02000)											
2	2	119265-01340	GASKET, HEAD	1	1						
3	2	24311-000120	O-RING, 1AP12.0	5	5						
4	2	24311-000320	O-RING, 1AP32.0	2	2						
5	2	24341-000240	O-RING, 1AS24.0	1	1						
6	2	119660-01562	GASKET	1	1						
7	2	24311-000180	O-RING, 1AP18.0	1	1						
8	2	119260-11340	SEAL, VALVE STEM	6	6						
9	2	119600-11450	PROTECTOR, NOZZLE	3	3						
10	2	119600-11460	GASKET, NOZZLE	6	6						
11	2	119260-03031	GASKET	1	1						
12	2	119260-11310	GASKET, BONNET	1	1						
13	2	119270-12110	GASKET, MANIFOLD	1	1						
14	2	119260-13110	GASKET	1	1						
15	2	124701-11911	GASKET, SILENCER	1	1						
16	2	119660-32020	GASKET, PUMP	1	1						
17	2	24321-000600	O-RING, 1AG60.0	1	1						
18	2	24321-000700	O-RING, 1AG70.0	1	1						
19	2	119260-42020	GASKET, WATER PUMP	1	1						
20	2	24321-000350	O-RING, 1AG35.0	1							M
20-1	2	129350-49541	GASKET	1	1						
21	2	124465-44950	GASKET, 16	2	2						
22	2	129155-51580	O-RING	3	3						
23	2	23414-080012	GASKET, 8X1.0	6							
23-1	2	23414-080012	GASKET, 8X1.0	2	2						K
(A=E02000)											
23A	2	22190-080002	WASHER, SEAL 6	4	4						W
(A=E02000)											
24	2	23414-140000	GASKET, 14X1.0	3	3						
25	2	121520-01851	GASKET	1	1						
26	2	104200-59170	GASKET, 12	2	2						
27	1	129400-92400	FLEX HORN	1	1						1
28	1	119265-93100	BOX, TOOL	1	1						
29	2	104200-92350	DRIVER, SCREW	1	1						
30	2	105300-92600	BAG, TOOL	1	1						
31	2	28110-100120	SPANNER, 10X12	1	1						
32	2	28110-140170	SPANNER, 14X17	1	1						
33	2	28110-190220	SPANNER, 19X22	1	1						
34	2	28227-191400	WRENCH, BOX 19X140	1	1						
35	2	28230-090150	HANDLE, TURN 9X150	1	1						

Remarks  
(1) OPTIONAL PART.  
(M) MISPRINT.

## Parts No. Index

Parts No.	Fig. No.	Ref. No.
101304-59020	14	5
102103-55520	14	19
104200-55321	14	15
104200-55330	14	16
104200-55750	14	26
104200-59170	14	11
	17	26
104200-92350	17	29
104264-59030	14	6
		9
105010-11230	4	37
		41
105025-59550	13	38
105300-92600	17	30
105340-59190	14	12 -1
105425-59550	13	39 -1
105546-51330	11	25
105582-59150	14	10
106383-44720	16	16
106383-44730	16	17
106430-59560	14	8
110250-55610	14	20
114250-11120	4	21
114250-11180	4	22
114250-53130	13	9
114250-53400	13	11
119225-14200	7	18
119225-51100	11	4
119225-51300	11	22
119225-59810	13	23
119232-61540	12	43
119244-21650	8	8
119247-77100	16	31
119255-53100	13	7 -1
119256-42290	10	24
119260-01200	1	23
119260-01490	2	17
119260-01510	2	20
119260-01590	2	1
119260-01770	3	13
119260-02020	1	6
119260-02410	1	22
119260-03020	4	51
119260-03031	4	52
	17	11
119260-07900	4	6
		6 -1
119260-11100	4	19
119260-11110	4	20
119260-11200	4	29

Parts No.	Fig. No.	Ref. No.
119260-11240	4	30
119260-11260	4	33
119260-11270	4	34
119260-11280	4	35
119260-11310	4	55
	17	12
119260-11340	4	25
	17	8
119260-11370	4	26
119260-11800	4	13
119260-13110	6	2
	17	14
119260-14100	7	7
119260-14200	7	1
119260-14400	7	2
119260-14580	7	3
119260-21200	8	5
119260-23910	8	30
119260-25100	7	11
119260-32000	9	1
119260-35081	9	25
119260-42020	10	22
	17	19
119260-49530	10	29
119260-49800	10	30
119260-59530	13	37
119260-59820	13	27
119260-59830	13	31
119260-66010	12	61
119265-01340	1	24
	17	2
119265-01770	3	13 -1
119265-11700	4	9 -1
119265-21700	8	1
119265-22090	8	16
119265-22300	8	24
119265-22500	8	18
119265-23100	8	26
119265-23200	8	31
119265-34820	9	14
119265-34830	9	14 -1
119265-35080	9	25 -1
119265-35300	9	16
119265-42000	10	10
119265-42001	10	10 -1
119265-42002	10	10 -2
119265-44400	10	4
119265-44740	10	26
119265-44900	10	34
119265-59540	13	35 -1

Parts No.	Fig. No.	Ref. No.
119265-61200	12	14
119265-61510	12	28
119265-77800	16	34
119265-77801	16	34 -1
119265-93100	17	28
119266-51900	11	47
119266-59580	13	42 -1
119270-12110	5	1
	17	13
119280-13100	6	1
119285-01730	5	3
119285-03140	4	1
119285-07900	4	64
119285-12100	5	4
119285-12730	5	2
119285-66080	12	53
119285-66500	12	64
119305-35150	9	15
119309-59570	13	47
119332-12580	5	15 -1
119454-01721	3	11
119600-01600	3	2
119600-11450	4	26 A
		27
	17	9
119600-11460	4	26 B
		28
	17	10
119600-52021	14	2
119600-61100	12	4
119600-61200	12	5
119600-61540	12	44
119600-61541	12	44 -1
119600-61900	12	51
119600-66530	12	69
119600-66700	12	75
119600-66840	12	101
119620-01620	3	6
119620-01750	3	4
119620-01800	2	4
119620-01950	2	26
119620-02450	7	4
119620-11350	4	45
119620-11390	4	56
119620-21941	8	10
119620-25912	7	13
119620-42350	10	25
119620-51170	11	7
119620-51180	11	8
119620-51190	11	9

Parts No.	Fig. No.	Ref. No.
119620-51250	11	10
119620-51340	11	26
119620-51350	11	27
119620-51370	11	28
119620-51450	11	29
119620-51461	11	30
119620-51510	11	32
119620-51650	11	34
119620-51660	11	35
119620-51670	11	36
119620-51680	11	37
119620-51700	11	38
119620-53000	13	3
119620-53080	13	6
119620-53120	13	8
119620-53140	13	10
119620-59700	13	41
119620-77820	4	62
119621-21680	8	9
119621-66051	12	62
119623-01950	2	26 -1
119631-44740	10	26 A
119631-77010	15	1
119642-33030	10	2
119642-33100	10	3
119642-49030	10	6
119642-59550	13	39
119643-21590	8	12
119643-55610	14	14
119643-55620	14	28
119643-59540	13	35
119643-59570	13	40
119650-59010	14	4
119650-59200	14	12
119650-77910	16	35
119660-01551	2	23
119660-01562	2	24
	17	6
119660-01570	2	25
119660-01640	3	7
119660-01821	7	17
119660-01911	2	5
119660-25022	7	9
119660-25052	7	10
119660-32020	9	11
	17	16
119660-51500	11	31
119660-51530	11	33
119660-61052	12	18
119660-61060	12	2

## Parts No. Index

Parts No.	Fig. No.	Ref. No.
119660-61071	12	3
119660-61121	12	11
119660-61140	12	12
119660-61150	12	13
119660-61300	12	9
119660-61341	12	10
119660-61460	12	19
119660-61491	12	27
119660-61651	12	46
119660-61901	12	52
119660-77710	16	32
119660-77711	16	32 -1
119810-55340	14	17
119865-21600	8	15
121023-01550	2	14
121111-21501	8	11
121120-01620	3	3
121250-44901	10	34 -1
121250-55620	14	21
121254-55510	14	18
121256-44600	10	43
121267-44760	10	27 A
121400-01640	3	14
121450-01560	2	21
121450-42450	10	44
121450-77330	16	21
121465-12700	5	14
121465-59950	12	68 A
121470-44540	10	41
121500-12790	5	5
121520-01851	14	1
	17	25
121520-34810	9	13
121550-49111	10	33
121575-66830	12	100
124060-01050	1	5
124064-12680	5	12
124064-12690	5	13
124066-59100	13	36
		46
124085-02220	3	9
124160-01751	2	12
	4	50
124160-11360	4	48
124160-39450	9	28
124190-77110	15	19
124190-77760	15	20
124450-44510	10	36
124450-44530	10	38
124450-44550	10	42

Parts No.	Fig. No.	Ref. No.
124450-44560	10	39
124465-44950	10	35
	17	21
124550-55700	14	24
124550-59820	13	42
124550-66370	12	63
124701-11911	6	7
	17	15
124766-59050	14	7
124772-66750	12	99
129100-01580	3	1
	8	2
129100-61930	12	60
129122-44480	10	4 -1
		5
129150-35350	9	24
129150-59120	13	18
129150-59130	13	21
129150-59131	13	21 -1
129150-59580	13	45
129155-51280	12	15
129155-51580	13	2
	17	22
129155-61480	12	22
129350-49530	10	29 -1
129350-49541	10	31 -1
	17	20 -1
129350-49800	10	30 -1
129400-92400	17	27
129403-49050	10	7
129795-77800	4	61
158552-51930	13	2 -1
171008-03990	4	2
	10	1
171009-44760	10	27
171033-12500	5	8
171033-12510	5	9
171033-12540	5	10
171033-12560	5	11
171126-12580	5	15
171301-77201	16	1
171301-77720	16	33
174307-51700	12	29
194940-52110	16	23
194990-22050	2	30
	12	1
198360-52160	16	28
22117-040000	12	47
22137-040000	11	43
22190-060003	12	102

Parts No.	Fig. No.	Ref. No.
22190-080002	11	48
	13	43 -1
	14	13 -1
	17	23 A
22190-120002	12	103
	14	11 -1
22190-140002	13	44 -1
22212-100000	16	18
22217-040000	11	44
22217-050000	4	57
22242-000100	4	44
22242-000200	7	15
22252-000200	8	25
22272-000040	12	48
22351-020004	12	49
22351-030014	12	50
22351-040010	2	22
	12	57
22351-060012	4	63
22360-040000	12	104
22360-060000	12	105
22512-040120	7	8
		22
	8	6
23061-070230	10	40
23414-080012	13	43
	14	13
	17	23
		23 -1
23414-140000	13	44
	17	24
23871-020000	4	16
23871-030000	4	16 -1
24101-062034	7	24
24102-063034	7	23
24311-000120	2	6
	4	60
	9	26
	17	3
24311-000180	3	16
	17	7
24311-000210	10	20
24311-000320	2	13
	4	58
	17	4
24311-240100	14	27
24321-000350	10	31
	17	20
24321-000600	10	8
	17	17

Parts No.	Fig. No.	Ref. No.
24321-000700	10	9
	17	18
24341-000070	12	58
24341-000240	2	15
	17	5
24341-000280	12	66
26014-060222	10	28
26014-060302	10	28 A
26014-080252	16	22
26022-040082	11	45
26022-040252	16	8
26106-060102	3	17
	12	59
26106-060122	1	25
	7	16
	9	27
26106-060162	2	7
	5	6
	7	25
	14	3
26106-060182	2	16
	10	32
26106-060222	3	10
26106-060282	5	7
26106-060302	2	8
26106-060402	2	9
	6	3
26106-060452	3	18
26106-060502	2	10
26106-060652	2	11
26106-060702	12	106
26106-060952	12	68
		107
26106-080142	4	7
		7 -1
		8
26106-080202	10	32 -1
26106-080452	4	46
	10	23
26106-100402	16	20
26116-050102	12	108
26116-060304	12	109
26116-120252	15	21
26206-100252	3	5
26216-060402	6	4
26216-080222	6	5
26366-060002	2	31
	6	6
26366-080002	4	47
26450-060202	9	12



## Parts No. Index

Parts No.	Fig. No.	Ref. No.
26557-050102	4	59
26587-040102	11	46
26587-080102	7	26
26716-100002	16	19
26756-060002	4	39
		43
	12	110
26776-120002	12	99 -1
27221-050080	4	17
27221-060100	1	11
27231-400000	1	12
27241-100000	1	13
27241-250000	1	14
27241-300000	1	15
27241-350000	4	18
28110-100120	17	31
28110-140170	17	32
28110-190220	17	33
28227-191400	17	34
28230-090150	17	35
714250-11570	4	23
719225-51100	11	1
719255-53100	13	1 -1
719260-02800	1	16
719260-02870	1	26
719260-02930	1	19
719260-11520	4	49
719260-11650	4	36
719260-11660	4	40
719260-23600	8	32
719260-23610	8	40
719265-01560	1	1
719265-11700	4	9
719265-22900	8	34
719265-22950	8	36
719265-51750	11	1 -1
719265-92610	17	1
719265-92611	17	1 -1
719620-53700	13	1
X2114275070	15	2
X2114283500	15	3
X2114430010	15	4
X2114531200	15	6
X2114535200	15	5
X2114586700	15	7
X2114631090	15	8
X2114660130	15	9
X2114680050	15	10
X2114715500	15	11
X2114780060	15	12

Parts No.	Fig. No.	Ref. No.
X2114811000	15	13
X2114821500	15	14
X2114831300	15	17
X2114931400	15	18
X2114966130	15	15
X2114990010	15	16
XM08137	16	2
XM08138	16	3
XM08180	16	4
XM17878	16	6
XM27436	16	5
		15
XM36410	16	7
XM37336	16	14
XM72174	16	12
XM72664	16	13
XM82110	16	11
XM82184	16	10
XYSPS4008	16	9

Parts No.	Fig. No.	Ref. No.
-----------	----------	----------

Parts No.	Fig. No.	Ref. No.
-----------	----------	----------