

OCD10-M47000EN

PREFACE

1. This Parts Catalog is the 1st edition of 3TN84TL-RYW Diesel Engine for ISEKI NOHKI-KOBELCO.

Pub. No. : 000Y00D4700

Published : February, 1993

2. Model name

Engine model	Vehicle		Vehicle made by
	Products	Model name	
3TN84TL-RYW	—	—	ISEKI NOHKI-KOBELCO

Contents

Fig. No. Fig. Name

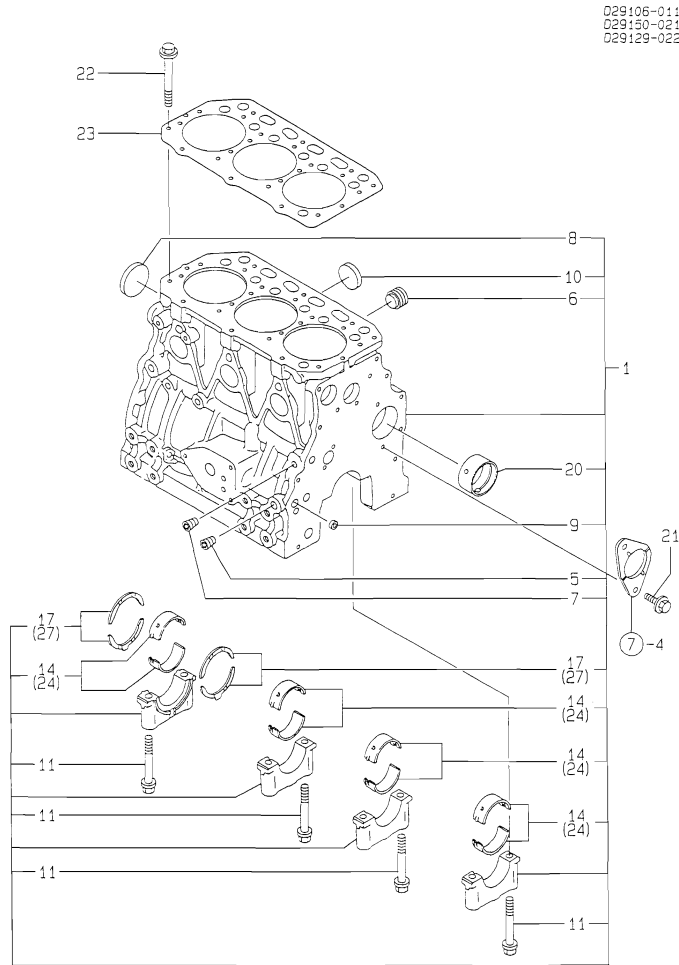
ENGINE 3TN84TL-RYW

1. CYLINDER BLOCK
2. GEAR HOUSING
3. MOUNTING FLANGE & OIL SUMP
4. CYLINDER HEAD & BONNET
5. SUCTION MANIFOLD & AIR CLEANER
6. EXHAUST MANIFOLD
7. CAMSHAFT & DRIVING GEAR
8. TURBINE
9. CRANKSHAFT & PISTON
10. LUB.OIL SYSTEM
11. LUB.OIL LINE
12. COOLING WATER SYSTEM
13. FUEL INJECTION PUMP
14. GOVERNOR
15. FUEL INJECTION VALVE
16. FUEL FILTER
17. ENGINE STOP DEVICE
18. STARTING MOTOR
19. GENERATOR
20. GASKET SET

Fig. No. Fig. Name

Fig.1. CYLINDER BLOCK

Y00D4700
3TN84TL-RYW



(A)=3TN84TL-RYW

(B)=

(C)=

(D)=

(E)=

(F)=

No.	Lev.	Parts No.	Description	Q'ty						I	R
				(A)	(B)	(C)	(D)	(E)	(F)		
1	1	729106-01560	BLOCK ASSY, CYLINDER	1							
5	2	124160-01910	PLUG, PT1/4	3							
6	2	171051-01921	PLUG, NPTF1	1							
7	2	23871-010000	PLUG, R01	1							
8	2	27231-500000	PLUG 50	1							
9	2	27241-120000	PLUG, 12	2							
10	2	27241-300000	PLUG 30	6							
11	2	129150-02020	BOLT, METAL CAP	8							
14	2	129150-02800	BEARING, MAIN	4							
17	2	129150-02930	BEARING, THRUST	2							
20	2	129795-02411	BUSH, CAMSHAFT	1							
21	1	26106-080162	BOLT, M8X 16 PLATED	2							
22	1	129150-01200	BOLT, HEAD	14							
23	1	129157-01332	GASKET, HEAD	1							G
24	1	129150-02870	BEARING, 0.25 US	4							1
27	1	129150-02940	BEARING, THRUST 0.25	2							2

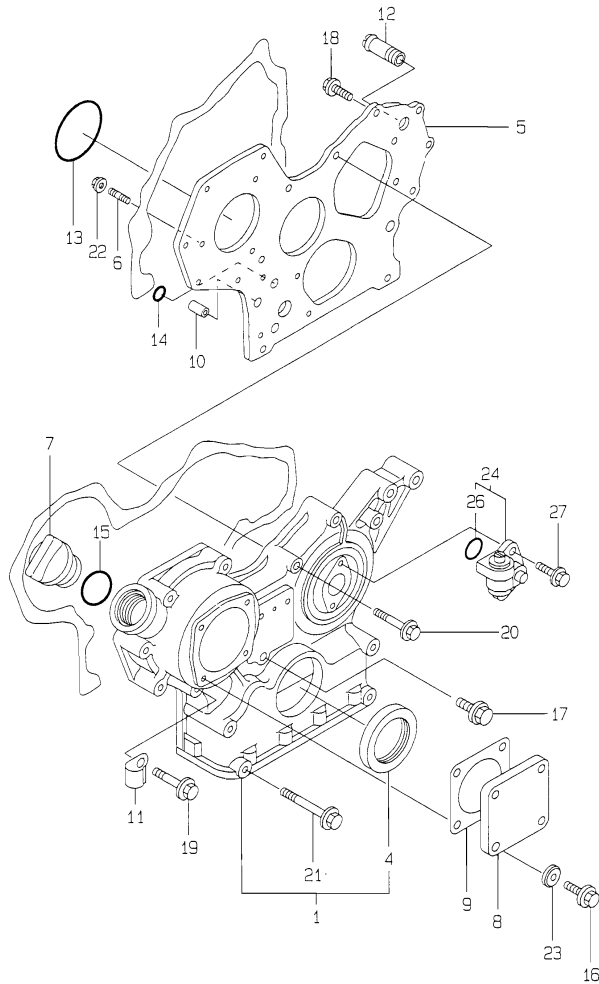
Remarks

- (1) UNDER-SIZE(U.S=0.25)PART.
- (2) OVER-SIZE(O.S=0.25)PART.
- (1) THESE PARTS ARE SOLD BY FIG.20, REF.NO.1.

Fig.2. GEAR HOUSING

Y00D4700
3TN84TL-RYW

029103-01220
029150-91100



(A)=3TN84TL-RYW

(B)=

(C)=

(D)=

(E)=

(F)=

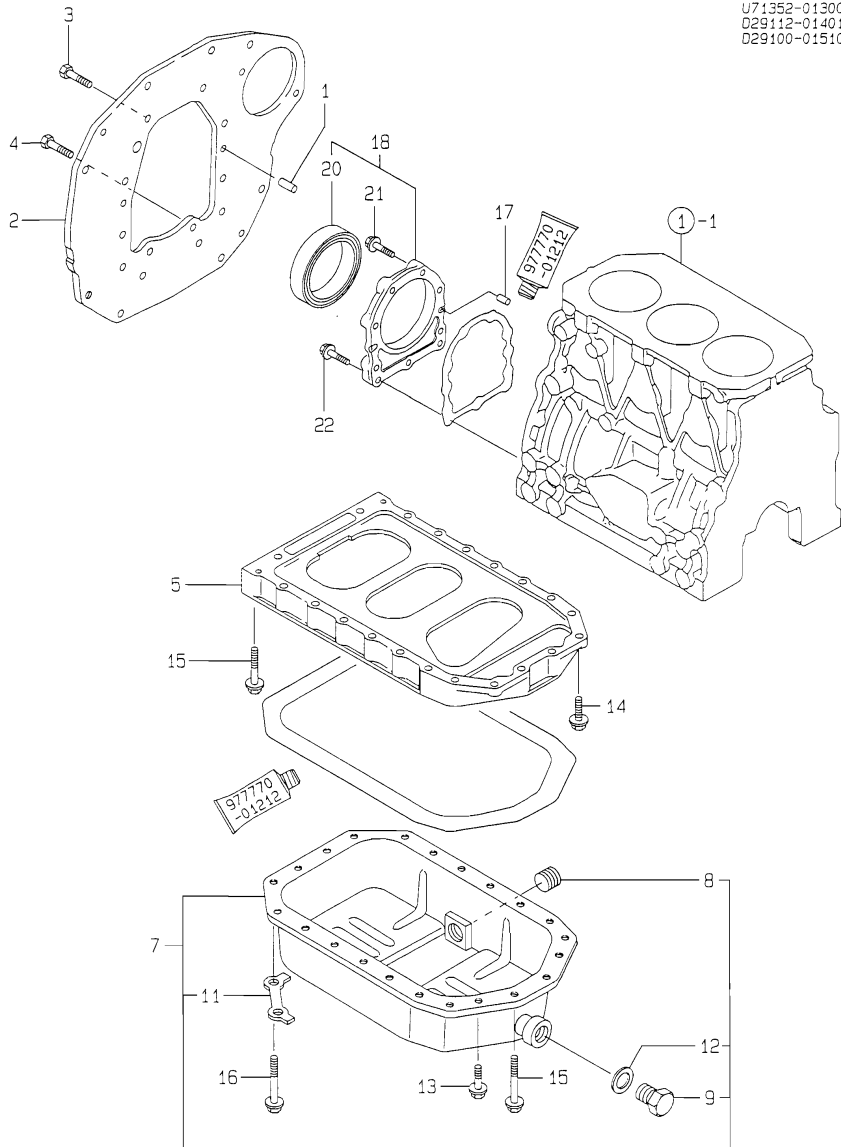
No.	Lev.	Parts No.	Description	Q'ty						I	R
				(A)	(B)	(C)	(D)	(E)	(F)		
1	1	719810-01500	CASE ASSY, GEAR	1							
4	2	129795-01800	SEAL, OIL	1							
5	1	129103-01530	FLANGE, GEAR CASE	1							
6	1	121450-01560	STUD, M8X22	3							
7	1	124160-01751	COVER, FILLER	1							
8	1	124240-01871	COVER	1							
9	1	124240-01883	GASKET	1							G
10	1	129795-01950	PIPE, KNOCK L=18	2							
11	1	129150-03100	RETAINER, PIPE	1							
12	1	129122-44480	JOINT	1							
13	1	121850-51960	O-RING	1							G
14	1	24311-000160	O-RING, 1AP16.0	2							G
15	1	24311-000320	O-RING, 1AP32.0	1							G
16	1	26106-080122	BOLT, M8X 12 PLATED	4							
17	1	26106-080162	BOLT, M8X 16 PLATED	1							
18	1	26106-080202	BOLT, M8X 20 PLATED	2							
19	1	26106-080452	BOLT, M8X 45 PLATED	6							
20	1	26106-080552	BOLT, M8X 55 PLATED	3							
21	1	26106-080852	BOLT, M8X 85 PLATED	4							
22	1	26366-080002	NUT, M8	3							
23	1	43400-500410	SEAL WASHER 8	4							
24	1	129150-91400	GEAR	1							
26	2	24341-000240	O-RING, 1AS24.0	1							G
27	1	26106-060162	BOLT, M6X 16 PLATED	2							

Remarks

(G) THESE PARTS ARE SOLD BY FIG.20, REF.NO.1.

Fig.3. MOUNTING FLANGE & OIL SUMP

Y00D4700
3TN84TL-RYW



(A)=3TN84TL-RYW

(B)=

(C)=

(D)=

(E)=

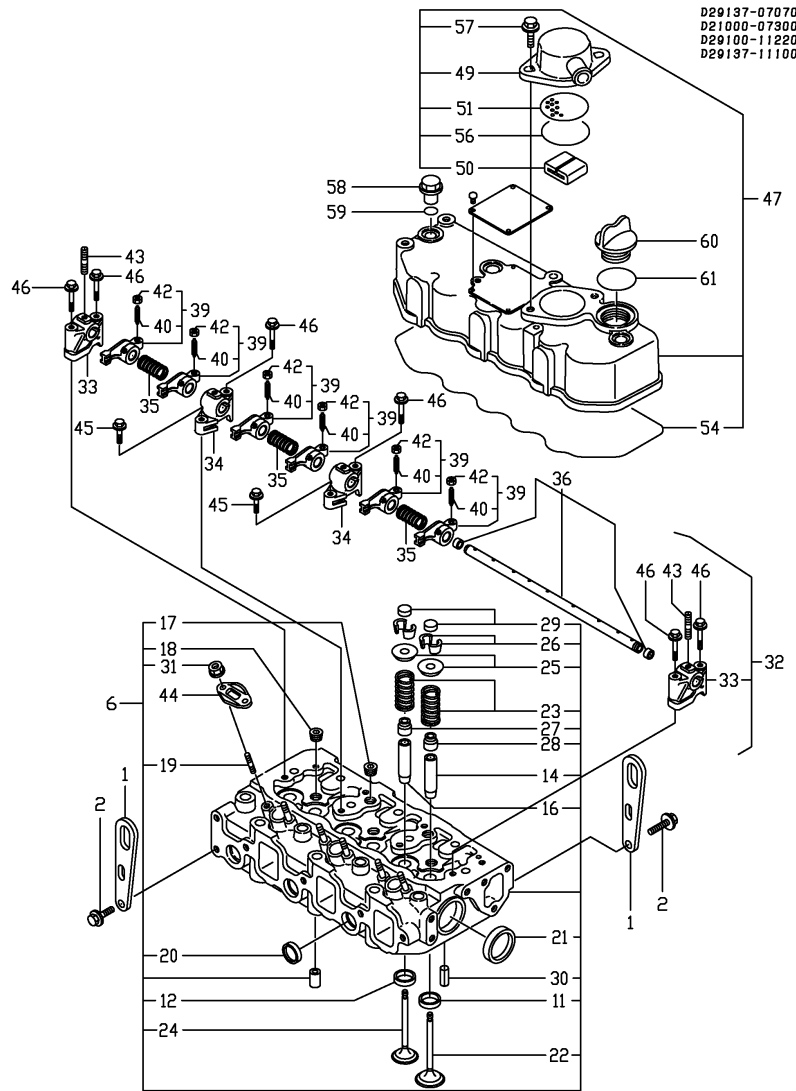
(F)=

No.	Lev.	Parts No.	Description	Q'ty						I	R
				(A)	(B)	(C)	(D)	(E)	(F)		
1	1	129100-01580	PIN, M8X16	2							
2	1	129150-01600	FLANGE, MOUNTING	1							
3	1	26206-100202	BOLT, M10X 20 PLATED	6							
4	1	26206-100252	BOLT, M10X 25 PLATED	4							
5	1	129100-01730	SPACER, OIL SUMP	1							
7	1	129112-01770	SUMP ASSY, OIL	1							
8	2	129137-01640	PLUG, M22	1							
9	2	105425-01690	PLUG, 16	1							
11	2	129100-01790	RETAINER	2							
12	2	43400-500490	SEAL WASHER 16	1							
13	1	26106-080162	BOLT, M8X 16 PLATED	4							
14	1	26106-080252	BOLT, M8X 25 PLATED	2							
15	1	26106-080452	BOLT, M8X 45 PLATED	16							
16	1	26106-080502	BOLT, M8X 50 PLATED	4							
17	1	129100-01580	PIN, M8X16	2							
18	1	129100-01640	CASE ASSY, OIL SEAL	1							
20	2	129795-01780	SEAL, OIL	1							
21	1	26106-080302	BOLT, M8X 30 PLATED	6							
22	1	26106-080352	BOLT, M8X 35 PLATED	3							

Fig.4. CYLINDER HEAD & BONNET

Y00D4700
3TN84TL-RYW

4 シリンダヘッド @ ボンネット
CYLINDER HEAD @ BONNET



(A)=3TN84TL-RYW

(B)=

(C)=

(D)=

(E)=

(F)=

No.	Lev.	Parts No.	Description	Q'ty						I	R
				(A)	(B)	(C)	(D)	(E)	(F)		
1	1	124736-07900	LIFTER	2							
2	1	26106-080142	BOLT, M8X 14 PLATED	4							
6	1	771364-11701	HEAD ASSY, CYLINDER	1							
11	2	129470-11080	SEAT, INTAKE VALVE	3							
12	2	129470-11090	SEAT, EXHAUST VALVE	3							
14	2	120130-11860	GUIDE, VALVE	3							1
16	2	129150-11810	GUIDE, VALVE	3							1
17	2	121850-11860	PLUG, PT1/4	2							
18	2	23871-030000	PLUG, R03	3							
19	2	26216-060202	STUD, M6X 20	6							
20	2	27241-220000	PLUG, 22	3							
21	2	27241-400000	PLUG, 40	2							
22	2	129100-11100	VALVE, INTAKE	3							
23	2	129795-11120	SPRING, VALVE	6							
24	2	129100-11130	VALVE, EXHAUST	3							
25	2	129795-11180	RETAINER, SPRING	6							
26	2	103338-11190	COTTER	6							
26-1	2	27310-080001	COTTER, 8	6							R
(A=EXXXXX)											
27	2	121400-11340	SEAL, VALVE STEM	3							G
28	2	124460-11340	SEAL, VALVE STEM	3							G
29	2	129150-11370	CAP, VALVE	6							
30	2	22351-060012	PIN, SPRING 6.0X12	2							
31	2	26366-060002	NUT, M6	6							
32	1	129155-11241	SHAFT ASSY, ROCKER	1							
33	2	129155-11260	SUPPORT, ROCKER ARM	2							
34	2	129155-11270	SUPPORT, ROCKER ARM	2							
35	2	129150-11280	SPRING	3							
36	2	129150-11290	SHAFT, ROCKER ARM	1							
39	2	729402-11650	ARM ASSY, ROCKER	6							
40	3	129150-11230	SCREW, VALVE ADJUST	6							
42	3	129150-11750	NUT, M8	6							
43	2	26226-080182	STUD, M8X 18	3							
44	1	119625-11900	RETAINER, NOZZLE	3							
45	1	26106-080252	BOLT, M8X 25 PLATED	2							
46	1	26106-080502	BOLT, M8X 50 PLATED	6							
47	1	129100-11350	BONNET ASSY, HEAD	1							
49	2	129150-03020	COVER, BREATHER	1							
50	2	129150-03070	BAFFLE, BREATHER	1							
51	2	129150-03080	PLATE, BAFFLE	1							
54	2	129150-11310	GASKET, BONNET	1							G
56	2	24341-000500	O-RING, 1AS50.0	1							
57	2	26106-080162	BOLT, M8X 16 PLATED	2							
58	1	124160-11360	KNOB	3							
59	1	24311-000120	O-RING, 1AP12.0	3							G
60	1	124160-01751	COVER, FILLER	1							
61	1	24311-000320	O-RING, 1AP32.0	1							

Remarks

(1) REPAIR PART.

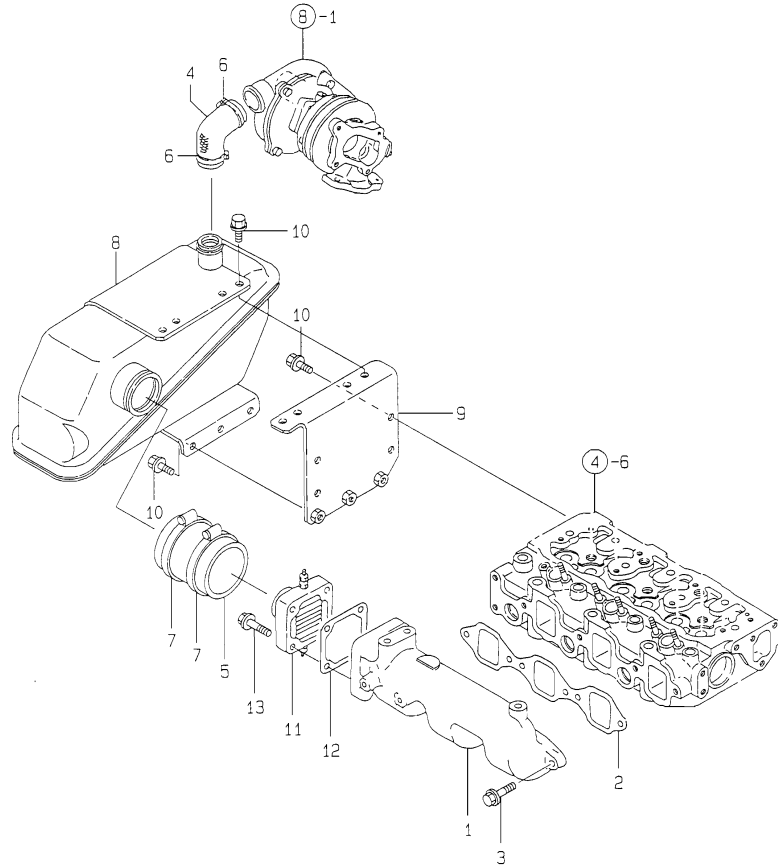
(G) THESE PARTS ARE SOLD BY

FIG.20, REF.NO.1.

Fig.5. SUCTION MANIFOLD & AIR CLEANER

Y00D4700
3TN84TL-RYW

029100-12100
029139-12300
029139-1240012
029100-77501



(A)=3TN84TL-RYW
(B)=
(C)=

(D)=
(E)=
(F)=

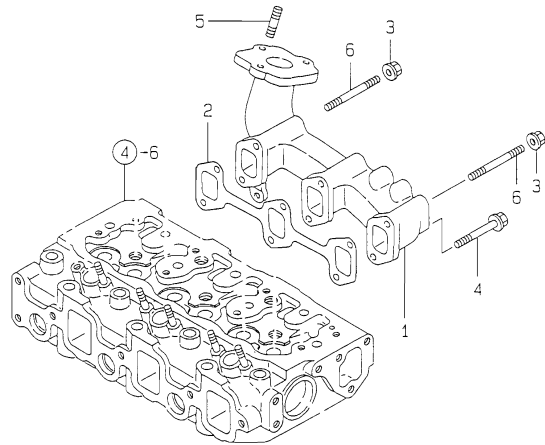
No.	Lev.	Parts No.	Description	Q'ty						I	R
				(A)	(B)	(C)	(D)	(E)	(F)		
1	1	129122-12100	MANIFOLD, AIR INTAKE	1							
2	1	129150-12111	GASKET, MANIFOLD	1							G
3	1	26106-080252	BOLT, M8X 25 PLATED	4							
4	1	129139-12050	HOSE, WATER	1							
5	1	129122-12060	HOSE	1							
6	1	23000-041000	CLAMP, 41	2							
7	1	23000-060000	CLAMP, 60	2							
8	1	129139-12200	TANK, SURGE	1							
9	1	129122-12211	BRACKET	1							
10	1	26106-080162	BOLT, M8X 16 PLATED	11							
11	1	129120-77501	HEATER	1							
12	1	129150-77511	GASKET	1							G
13	1	26106-080352	BOLT, M8X 35 PLATED	4							

Remarks
(G) THESE PARTS ARE SOLD BY
FIG.20, REF.NO.1.

Fig.6. EXHAUST MANIFOLD

Y00D4700
3TN84TL-RYW

D29139-13100TK



(A)=3TN84TL-RYW

(B)=

(C)=

(D)=

(E)=

(F)=

No.	Lev.	Parts No.	Description	Q'ty						I	R
				(A)	(B)	(C)	(D)	(E)	(F)		
1	1	129139-13100	MANIFOLD, EXHAUST	1							
2	1	129150-13110	GASKET	1							G
3	1	194990-22050	NUT, M8	2							
4	1	26106-080802	BOLT, M8X 80 PLATED	4							
5	1	26216-080222	STUD, M8X 22	3							
6	1	26216-080802	STUD, M8X 80	2							

Remarks

(G) THESE PARTS ARE SOLD BY FIG.20, REF.NO.1.

Fig.7. CAMSHAFT & DRIVING GEAR

(A)=3TN84TL-RYW

(B)=

(C)=

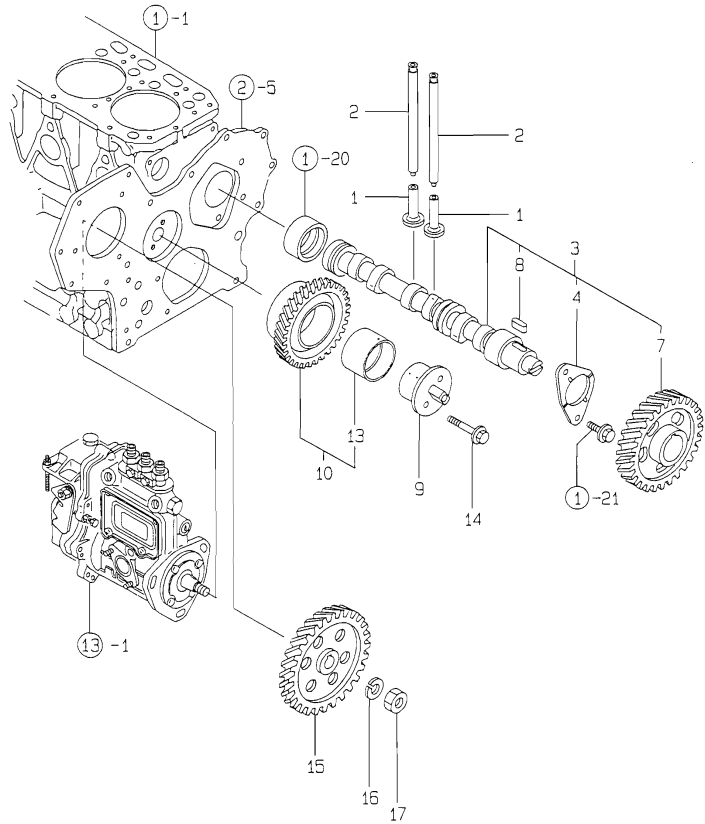
(D)=

(E)=

(F)=

Y00D4700
3TN84TL-RYW

029129-14100
029100-25101
029150-25200



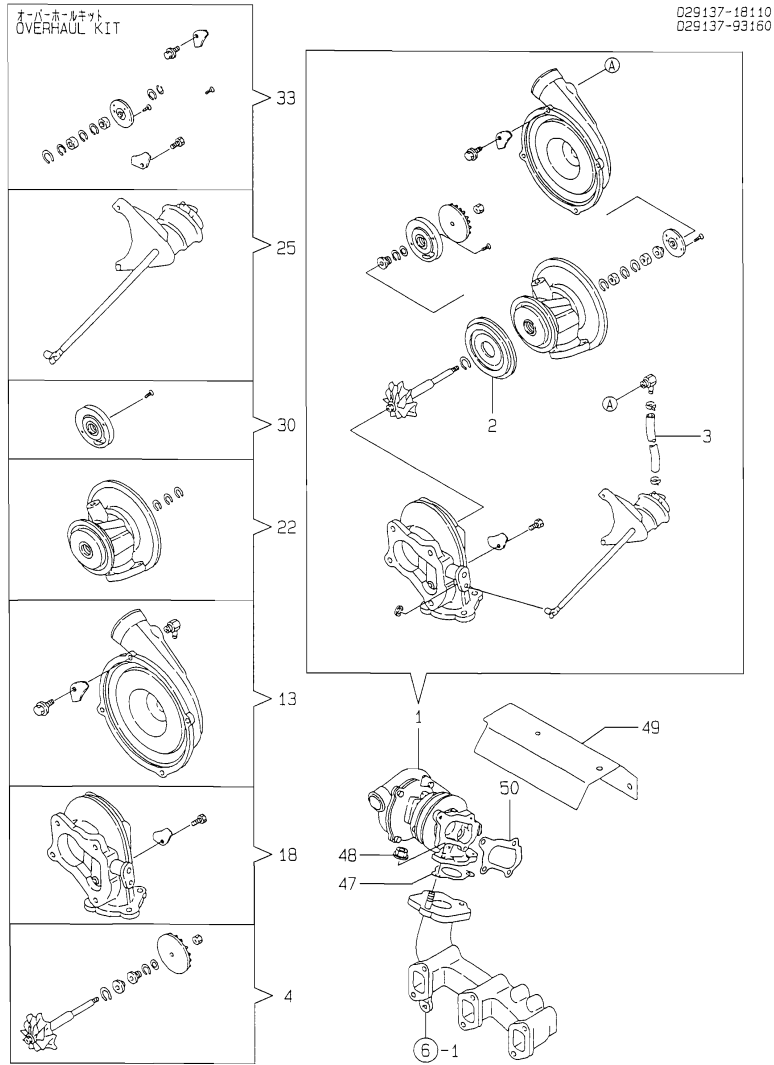
No.	Lev.	Parts No.	Description	Q'ty						I	R
				(A)	(B)	(C)	(D)	(E)	(F)		
1	1	129150-14200	TAPPET	6							
2	1	129150-14400	ROD, PUSH L=178	6							
3	1	129129-14580	CAMSHAFT ASSY	1							
4	2	129150-02450	BEARING, THRUST	1							
7	2	129150-14101	GEAR, CAMSHAFT	1							
8	2	22512-070140	KEY, 7X 14	1							
9	1	129100-25061	SHAFT, IDLE	1							
10	1	129150-25101	GEAR ASSY, IDLE	1							
13	2	129150-25920	BUSH, IDLE GEAR	1							1
14	1	26106-080452	BOLT, M8X 45 PLATED	2							
15	1	129150-25900	GEAR, PUMP	1							
16	1	22217-120000	WASHER, SPRING 12	1							
17	1	26716-120002	NUT, M12	1							

Remarks

(1) REPAIR PART.

Fig.8. TURBINE

Y00D4700
3TN84TL-RYW



(A)=3TN84TL-RYW

(B)=

(C)=

(D)=

(E)=

(F)=

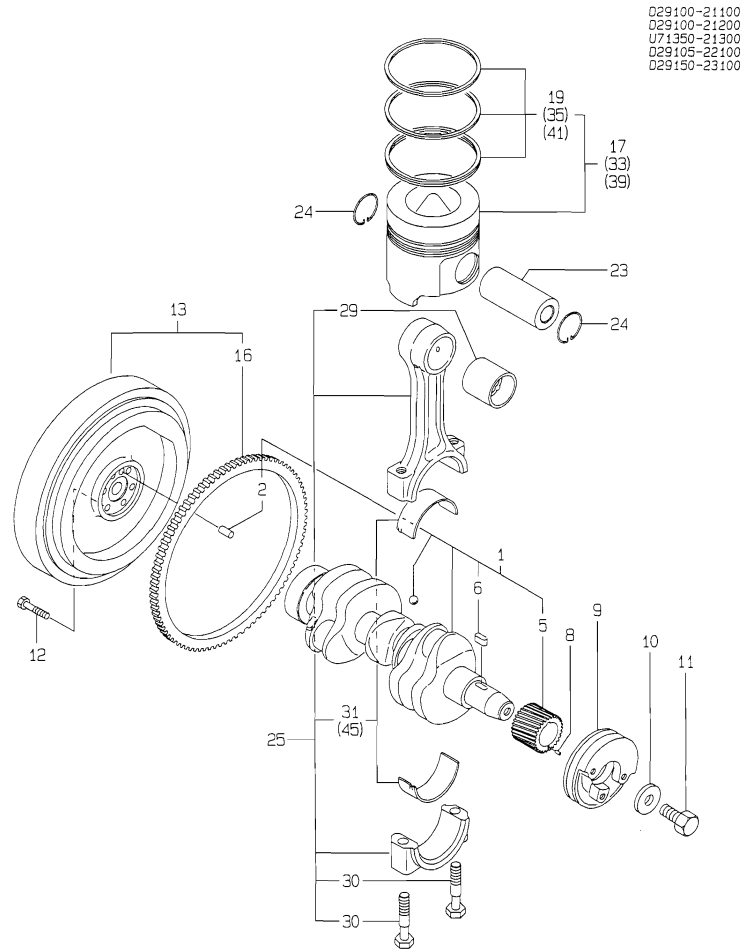
No.	Lev.	Parts No.	Description	Q'ty						I	R
				(A)	(B)	(C)	(D)	(E)	(F)		
1	1	129137-18010	TURBINE, RHB31W/G	1							
2	2	129403-18720	PROTECTOR, HEAT	1							
3	2	129403-18750	HOSE	1							
4	2	129403-18770	ROTOR ASSY, TURBO	1							
13	2	129403-18780	HOUSING ASSY, BLOWER	1							
18	2	XNB139825	HOUSING ASSY, TURBO	1							
22	2	129403-18800	HOUSING ASSY, BEARING	1							
25	2	XNB139826	CONTROL ASSY	1							
30	2	XNB139815	SEAL PLATE ASSY	1							
33	2	XNB139827	OVERHAUL KIT	1							
47	1	129477-18100	GASKET	1							G
48	1	194990-22050	NUT, M8	3							
49	1	129137-13410	COVER, TURBINE	1							
50	1	129403-18090	GASKET	1							G

Remarks

(G) THESE PARTS ARE SOLD BY FIG.20,
REF.NO.1.

Fig.9. CRANKSHAFT & PISTON

Y00D4700
3TN84TL-RYW



029100-21100
029100-21200
U71350-21300
029105-22100
029150-23100

(A)=3TN84TL-RYW

(B)=

(C)=

(D)=

(E)=

(F)=

No.	Lev.	Parts No.	Description	Q'ty						I	R
				(A)	(B)	(C)	(D)	(E)	(F)		
1	1	729102-21700	CRANKSHAFT ASSY	1							
2	2	129100-01580	PIN, M8X16	1							
5	2	129150-21200	GEAR, CRANKSHAFT	1							
6	2	22512-070140	KEY, 7X 14	1							
8	1	22351-040010	PIN, SPRING 4.0X10	1							
9	1	171340-21650	V-PULLEY	1							
10	1	129795-21661	WASHER	1							
11	1	121850-21680	BOLT	1							
12	1	121111-21501	BOLT, FLYWHEEL	6							
13	1	171350-21590	FLYWHEEL ASSY	1							
16	2	124550-21600	GEAR, RING	1							
17	1	129105-22090	PISTON ASSY	3							
19	2	729105-22500	RING SET, PISTON	3							
23	1	129150-22300	PIN, PISTON D26 L66	3							
24	1	121100-22400	CIRCLIP	6							
25	1	729402-23100	ROD ASSY, CONNECTING	3							
29	2	129100-23910	BEARING, PISTON PIN	3							1
30	2	121550-23200	BOLT, CONNECTING ROD	6							
31	2	129150-23600	BEARING, CRANK PIN	3							
33	1	729105-22910	PISTON ASSY, 0.25 OS	3							2
35	2	729105-22951	RING SET, 0.25 OS	3							2
39	1	129105-22920	PISTON ASSY, 0.50 OS	3							3
41	2	129105-22970	RING SET, 0.50 OS	3							3
45	1	129150-23610	BEARING, 0.25 US	3							4

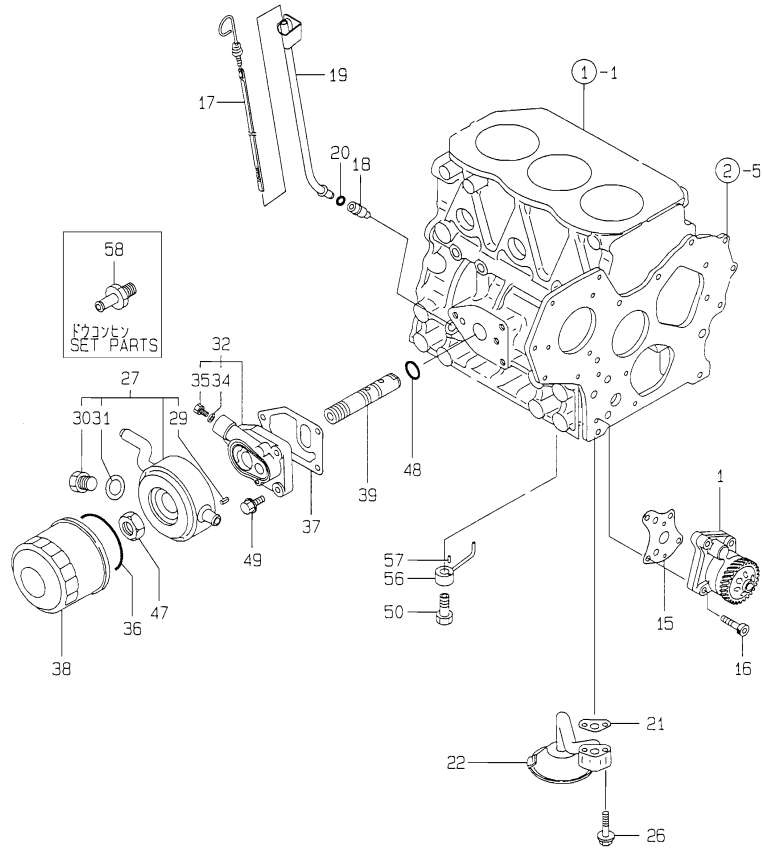
Remarks

- (1) REPAIR PART.
- (2) OVER-SIZE(O.S=0.25)PART.
- (3) OVER-SIZE(O.S=0.50)PART.
- (4) UNDER-SIZE(U.S=0.25)PART.

Fig.10. LUB.OIL SYSTEM

Y00D4700
3TN84TL-RYW

029553-32100
029136-34100
029100-35100
029137-35240
029553-39300
029137-93160



(A)=3TN84TL-RYW

(B)=

(C)=

(D)=

(E)=

(F)=

No.	Lev.	Parts No.	Description	Q'ty						I	R
				(A)	(B)	(C)	(D)	(E)	(F)		
1	1	129553-32000	PUMP ASSY, OIL	1							
15	1	129150-32020	GASKET, PUMP	1							G
16	1	26450-060252	BOLT, M6X 25	4							
17	1	129128-34800	DIPSTICK, OIL	1							
18	1	119260-34810	GUIDE, DIPSTICK	1							
19	1	129136-34820	GUIDE, DIPSTICK	1							
20	1	24311-240100	O-RING, 1AP10A	1							
21	1	129150-35041	GASKET	1							G
22	1	129150-35091	PIPE ASSY, OIL INLET	1							
26	1	26106-080352	BOLT, M8X 35 PLATED	2							
27	1	129120-33001	COOLER ASSY, OIL	1							
29	2	129120-33040	PIN	2							
30	2	129120-33051	PLUG, DRAIN	1							
31	2	129120-33060	GASKET	1							
32	1	129120-35001	BRACKET ASSY	1							
34	2	23414-100000	GASKET, 10X1.0	1							
35	2	23881-100002	PLUG, 10	1							
36	1	129120-35110	GASKET	1							
37	1	129120-35121	GASKET	1							G
38	1	129150-35151	FILTER, D80XL80	1							
39	1	129120-35300	VALVE ASSY, CONTROL	1							
47	1	129150-35350	NUT	1							
48	1	24311-000160	O-RING, 1AP16.0	1							G
49	1	26106-080252	BOLT, M8X 25 PLATED	3							
50	1	129792-39410	VALVE ASSY, CHECK	3							
56	1	129553-39650	NOZZLE	3							
57	1	22351-030010	PIN, SPRING 3.0X10	3							
58	1	129137-49100	JOINT	1							

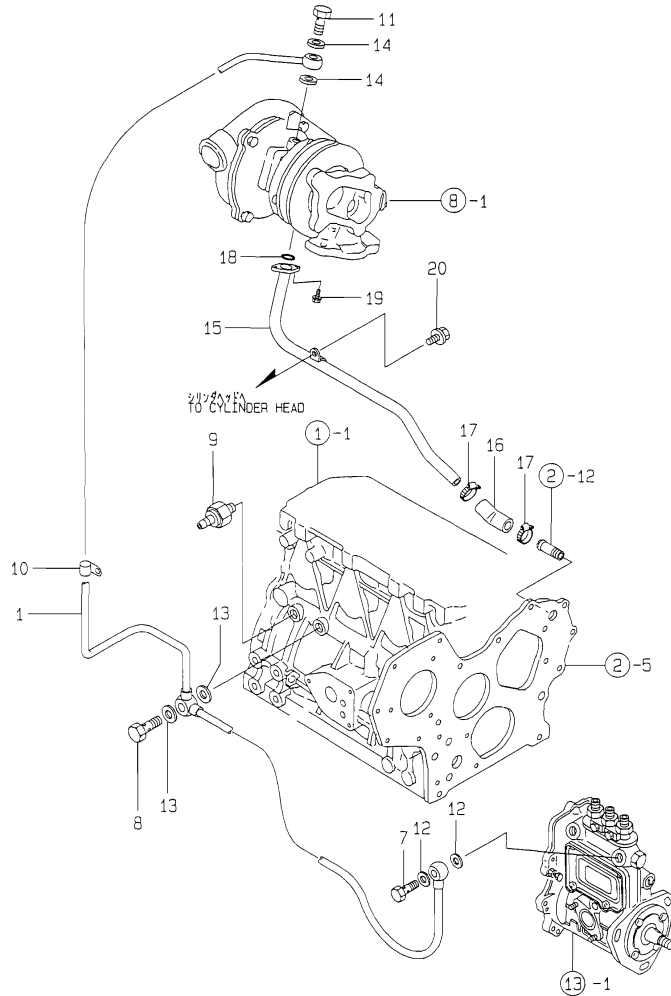
Remarks

(G) THESE PARTS ARE SOLD BY FIG.20, REF.NO.1.

Fig.11. LUB.OIL LINE

Y00D4700
3TNB4TL-RYW

D29137-39120
D29139-39200



(A)=3TN84TL-RYW

(B)=

(C)=

(D)=

(E)=

(F)=

No.	Lev.	Parts No.	Description	Q'ty						I	R
				(A)	(B)	(C)	(D)	(E)	(F)		
1	1	129139-39030	PIPE ASSY, OIL	1							
7	1	105010-39140	BOLT, PIPE JOINT	1							
8	1	124160-39140	BOLT, PIPE JOINT M10	1							
9	1	121252-39450	SWITCH, 0.5KG	1							
10	1	124223-39900	RETAINER	1							
11	1	124550-59820	BOLT, PIPE JOINT M8	1							
12	1	23414-080000	GASKET, 8X1.0	2							G
13	1	23414-100000	GASKET, 10X1.0	2							G
14	1	43400-500410	SEAL WASHER 8	2							
15	1	129139-39601	PIPE, OIL	1							
16	1	129403-39610	JOINT, RUBBER	1							
17	1	23000-022000	CLAMP, 22	2							
18	1	24314-000160	O-RING, 4CP16.0	1							G
19	1	26106-060162	BOLT, M6X 16 PLATED	2							
20	1	26106-080122	BOLT, M8X 12 PLATED	1							

Remarks

(G) THESE PARTS ARE SOLD BY FIG.20, REF.NO.1.

Fig.12. COOLING WATER SYSTEM

(A)=3TN84TL-RYW

(B)=

(C)=

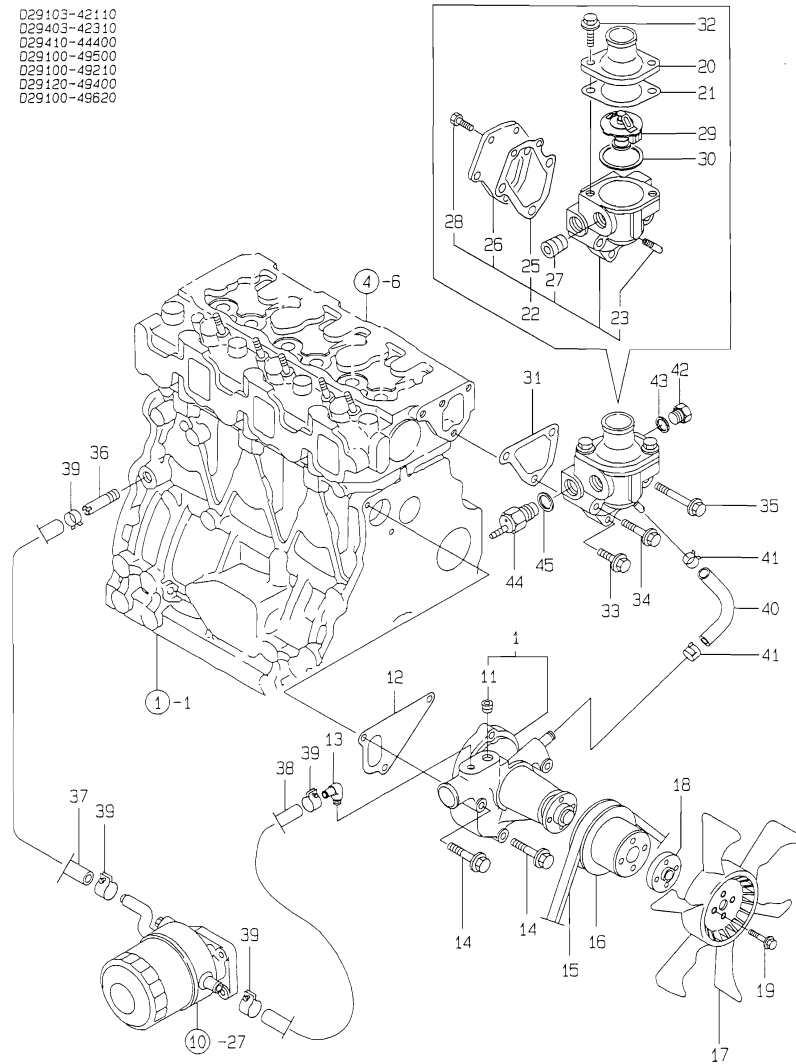
(D)=

(E)=

(F)=

Y00D4700
3TN84TL-RYW

D29103-42110
D29403-42310
D29410-44400
D29100-49500
D29100-49210
D29120-49400
D29100-49620



No.	Lev.	Parts No.	Description	Q'ty						I	R
				(A)	(B)	(C)	(D)	(E)	(F)		
1	1	129100-42002	PUMP ASSY, WATER	1							
11	2	23871-030000	PLUG, R03	1							
12	1	129100-42020	GASKET, WATER PUMP	1							G
13	1	129103-49301	ELBOW, PT1/4	1							
14	1	26106-080602	BOLT, M8X 60 PLATED	3							
15	1	121492-42290	V-BELT, A38	1							
16	1	129120-42350	V-PULLEY, 130	1							
17	1	171440-44740	FAN, COOLING D350XQF	1							
18	1	124574-44761	SPACER, FAN	1							
19	1	26014-060252	BOLT, M6X 25	4							
20	1	129350-49530	COVER, THERMOSTAT	1							
21	1	129795-49551	GASKET	1							G
22	1	129100-49800	CASE ASSY,THERMOSTAT	1							
23	2	124770-11770	JOINT, PIPE PT1/8	1							
25	2	129100-49820	GASKET	1							
26	2	129100-49830	COVER, THERMOSTAT	1							
27	2	23871-030000	PLUG, R03	1							
28	2	26116-060162	BOLT, M6X 16 PLATED	2							
29	1	129155-49800	THERMOSTAT, 71	1							
30	1	129150-49811	GASKET, THERMOSTAT	1							G
31	1	129100-49840	GASKET	1							G
32	1	26106-080202	BOLT, M8X 20 PLATED	2							
33	1	26106-080252	BOLT, M8X 25 PLATED	1							
34	1	26106-080502	BOLT, M8X 50 PLATED	1							
35	1	26106-080602	BOLT, M8X 60 PLATED	1							
36	1	104207-44480	JOINT	1							
37	1	129120-49030	HOSE	1							
38	1	129403-49050	PIPE, WATER	1							
39	1	23000-022000	CLAMP, 22	4							
40	1	129100-49050	PIPE, WATER	1							
41	1	23000-016000	CLAMP, 16	2							
42	1	121450-42450	PLUG, M16	1							
43	1	124465-44950	GASKET, 16	1							G
44	1	124250-49351	SENSOR	1							
45	1	129150-49360	GASKET	1							G

Remarks

(G) THESE PARTS ARE SOLD BY FIG.20, REF.NO.1.

Fig.13. FUEL INJECTION PUMP

(A)=3TN84TL-RYW

(B)=

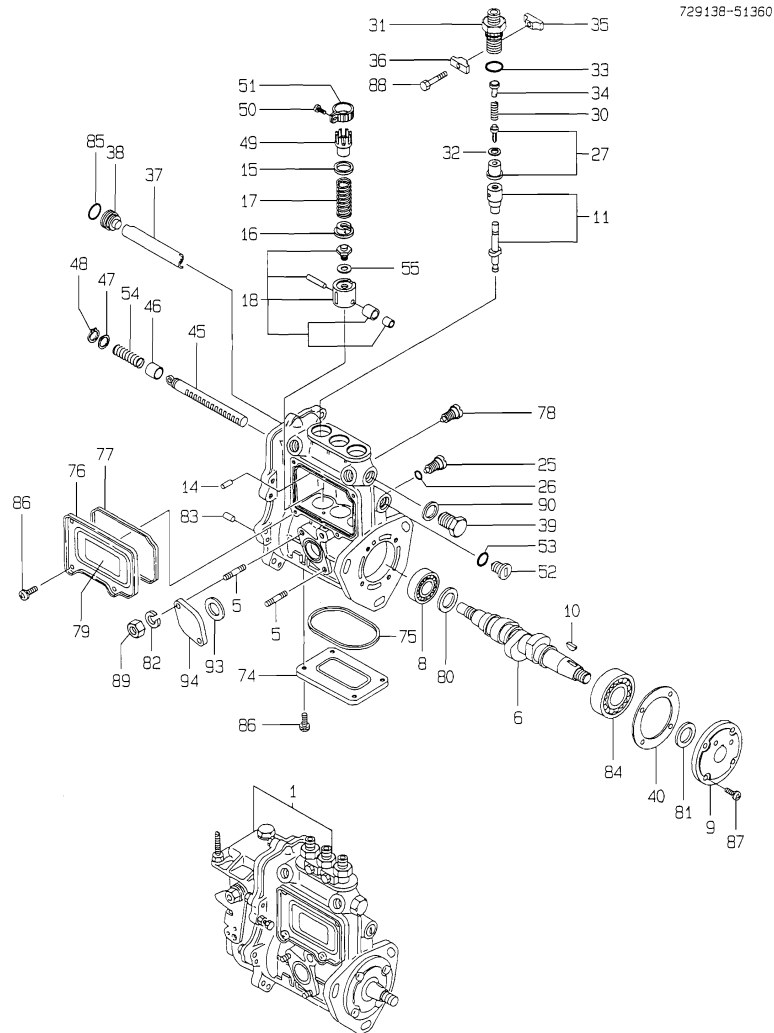
(C)=

(D)=

(E)=

(F)=

Y00D4700
3TN84TL-RYW



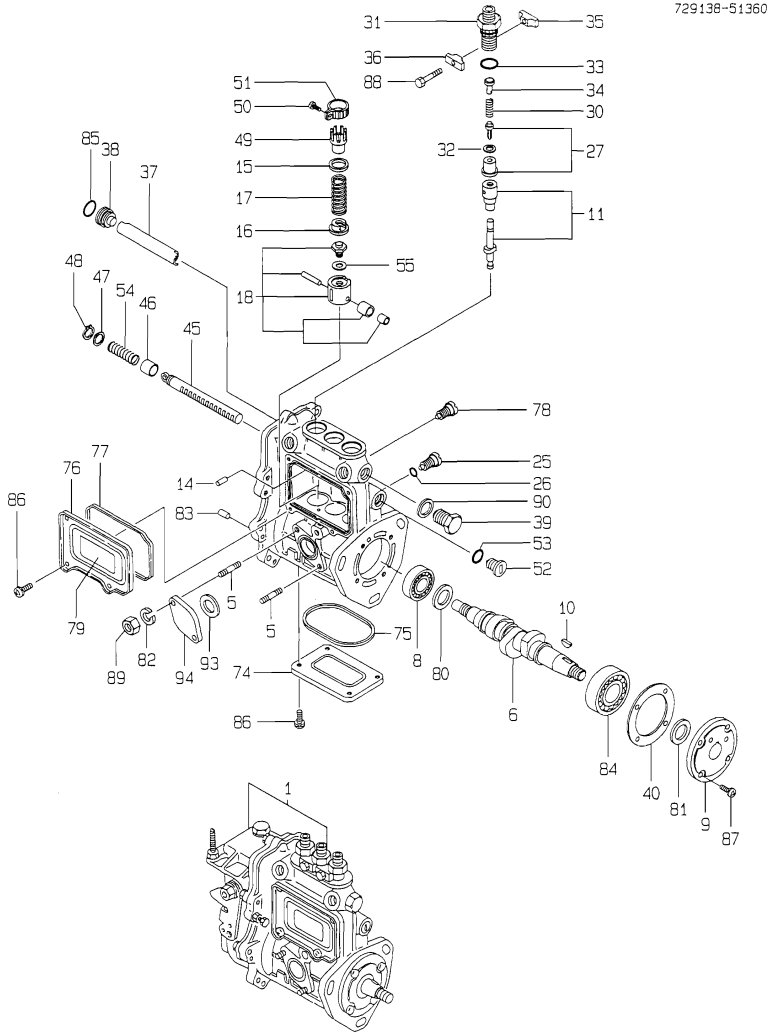
No.	Lev.	Parts No.	Description	Q'ty						I	R
				(A)	(B)	(C)	(D)	(E)	(F)		
1	1	729138-51360	PUMP ASSY, INJECTION	1							
5	2	129155-51020	STUD	2							
6	2	119810-51040	CAMSHAFT	1							
8	2	129155-51050	BEARING, 17BM001D	1							
9	2	129155-51060	SUPPORT, CAMSHAFT	1							
10	2	122710-51090	KEY	1							
11	2	129470-51101	PLUNGER ASSY	3							
14	2	129155-51140	PIN	3							
15	2	174307-51170	RETAINER, SPRING A	3							
16	2	129155-51180	RETAINER, SPRING	3							
17	2	124950-51190	SPRING, PLUNGER	3							
18	2	129155-51200	TAPPET ASSY	3							
25	2	129155-51270	STOPPER, TAPPET	3							
26	2	129155-51280	O-RING, S6	3							
27	2	129100-51300	VALVE ASSY, DELIVERY	3							
30	2	129155-51320	SPRING, DELIVERY	3							
31	2	129155-51340	RETAINER	3							
32	2	124550-51350	GASKET, DELIVERY	3							
33	2	124550-51370	O-RING	3							
34	2	129155-51370	STOPPER, VALVE	3							
35	2	129155-51380	STOPPER	2							
36	2	129155-51390	STOPPER	2							
37	2	129155-51400	DEFLECTOR	1							
38	2	129155-51410	BOLT	1							
39	2	129155-51420	PLUG, M16	1							
40	2	129155-51450	SHIM SET, ADJUSTING	1							
45	2	129155-51500	RACK, CONTROL	1							
46	2	129155-51521	BUSH, RACK	1							
47	2	129155-51530	SPACER	1							
48	2	129155-51540	CIRCLIP	1							
49	2	129155-51550	PINION, CONTROL	3							
50	2	122117-51560	SCREW	3							
51	2	174307-51560	PINION	3							
52	2	129155-51570	PLUG, M12	1							
53	2	129155-51580	O-RING	1							
54	2	129155-51591	SPRING, RACK	1							
55	2	129155-51600	SHIM SET, ADJUSTING	3							
74	2	129155-51700	COVER	1							
75	2	129155-51710	GASKET	1							
76	2	129155-51750	COVER	1							
77	2	129155-51760	GASKET	1							
78	2	129155-51790	STOOPER, RACK	1							
79	2	129156-51910	LABEL, CAUTION	1							
80	2	129155-51930	SPACER, T=3.25	1							
81	2	129155-51940	SPACER, T=1.5	1							
82	2	22217-060000	WASHER, SPRING 6	2							
83	2	22351-050010	PIN, SPRING 5.0X10	2							
84	2	24101-063034	BEARING, BALL 6303	1							
85	2	24341-000160	O-RING, 1AS16.0	1							
86	2	26022-050102	SCREW, M5X10	8							
87	2	26022-060162	SCREW, M6X16	4							

Remarks

(1) GOVERNOR(FIG.NO.14)IS INCORPORATED IN THIS FUEL INJECTION PUMP(REF.NO.1).

Fig.13. FUEL INJECTION PUMP

Y00D4700
3TNB4TL-RYW



(A)=3TN84TL-RYW
(B)=
(C)=

(D)=
(E)=
(F)=

No.	Lev.	Parts No.	Description	Q'ty						I	R
				(A)	(B)	(C)	(D)	(E)	(F)		
88	2	26116-050302	BOLT, M5X 30 PLATED	2							
89	2	26716-060002	NUT, M6	2							
90	2	43400-500490	SEAL WASHER 16	1							
93	2	129155-52050	GASKET	1							
94	2	129100-52200	COVER	1							

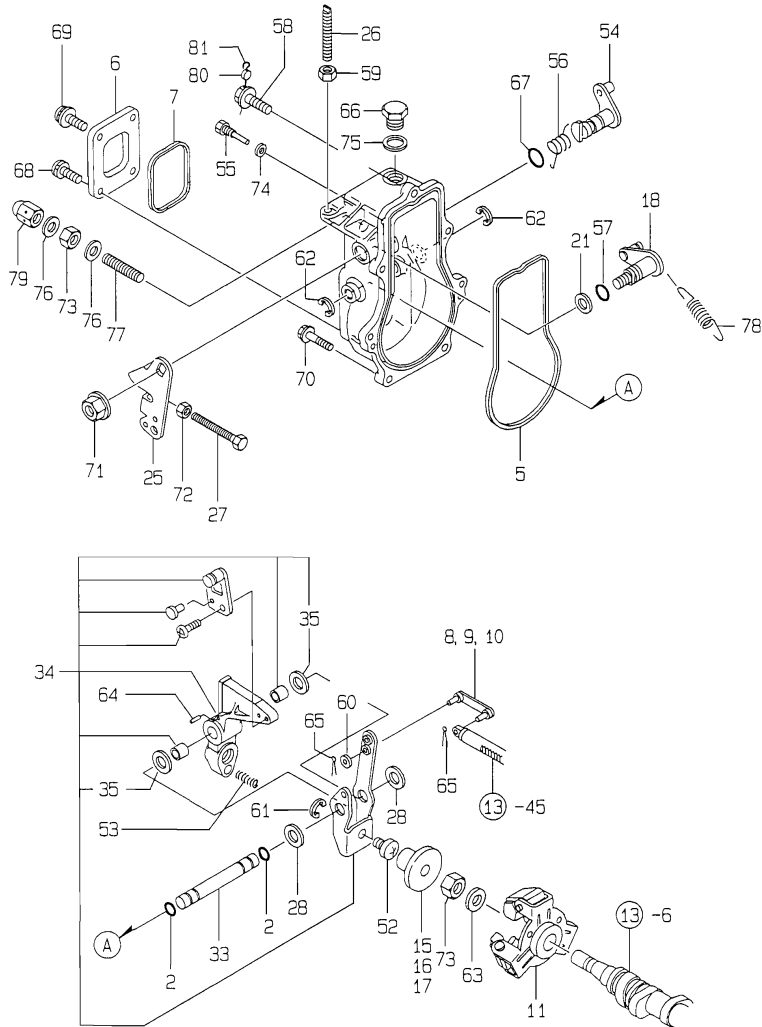
Remarks

(1) GOVERNOR(FIG.NO.14)IS INCORPORATED IN THIS FUEL INJECTION PUMP(REF.NO.1).

Fig.14. GOVERNOR

Y0004700
3TN84TL-RYW

729138-51360
029428-66400



(A)=3TN84TL-RYW

(B)=

(C)=

(D)=

(E)=

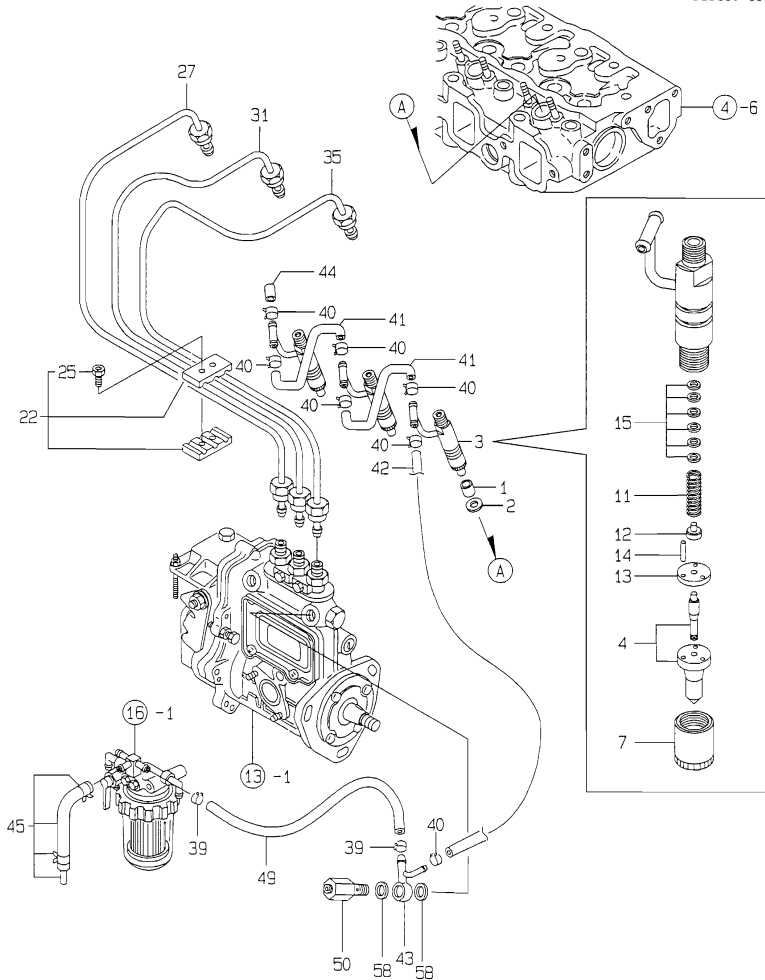
(F)=

No.	Lev.	Parts No.	Description	Q'ty						I	R
				(A)	(B)	(C)	(D)	(E)	(F)		
2	1	129155-51280	O-RING, S6	2							
5	1	129155-61050	GASKET	1							
6	1	129155-61060	COVER, GOVERNOR CASE	1							
7	1	129155-61070	GASKET	1							
8	1	129155-61120	LINK, L=30 MARK 0	1							
9	1	129155-61130	LINK, L=31 MARK 1	1							
10	1	129155-61140	LINK, L=30.5 MARK 05	1							
11	1	129155-61201	WEIGHT ASSY,GOVERNOR	1							
15	1	129155-61341	SLEEVE	1							
16	1	129155-61350	SLEEVE, L=24.9	1							
17	1	129155-61360	SLEEVE, L=25.2	1							
18	1	129100-61400	SHAFT ASSY	1							
21	1	129155-61430	SPACER	1							
25	1	129100-61440	LEVER, CONTROL	1							
26	1	129155-61450	BOLT, LIMITER	1							
27	1	129155-61460	BOLT, IDLE	1							
28	1	129155-61480	SPACER ASSY	2							
33	1	129155-61490	SHAFT	1							
34	1	129500-61501	LEVER ASSY, GOVERNOR	1							
35	2	174307-51700	SHIM SET	2							
52	1	129155-61540	SHIFTER	1							
53	1	129100-61650	SPRING, CONTROLLER	1							
54	1	129255-61802	LEVER, STOP	1							
55	1	129155-61810	PIN	1							
56	1	129100-61821	SPRING, RETURN	1							
57	1	129155-61830	O-RING, S10	1							
58	1	129155-61950	BOLT	1							
59	1	124550-66370	NUT, M6	1							
60	1	22117-040000	WASHER, 4	1							
61	1	22272-000040	RING, E- 4	1							
62	1	22272-000060	RING, E- 6	2							
63	1	22287-120000	WASHER, 12	1							
64	1	22351-030016	PIN, SPRING 3.0X16	1							
65	1	22372-040000	PIN, SNAP 4	2							
66	1	23887-100002	PLUG, 10	1							
67	1	24311-240100	O-RING, 1AP10A	1							
68	1	26022-050102	SCREW, M5X10	2							
69	1	26023-050102	SCREW, M5X10	2							
70	1	26106-060202	BOLT, M6X 20 PLATED	6							
71	1	26366-080002	NUT, M8	1							
72	1	26756-060002	NUT, LOCK M6	1							
73	1	26776-120002	NUT, LOCK M12	2							
74	1	43400-500390	SEAL WASHER 6	1							
75	1	43400-500430	SEAL WASHER 10	1							
76	1	43400-500450	SEAL WASHER 12	2							
77	1	129155-61470	BOLT, CONTROL	1							
78	1	171353-61710	SPRING, GOVERNOR	1							
79	1	26687-120002	NUT, CAP M12	1							
80	1	135210-61090	LEAD	1							
81	1	22451-060000	WIRE, 0.6	1							

Fig.15. FUEL INJECTION VALVE

Y00D4700
3TN847L-RYW

029137-53200
029100-59110
029130-59301



(A)=3TN847L-RYW

(B)=

(C)=

(D)=

(E)=

(F)=

No.	Lev.	Parts No.	Description	Q'ty						I	R
				(A)	(B)	(C)	(D)	(E)	(F)		
1	1	119625-11870	PROTECTOR, NOZZLE	3							G
2	1	129137-11880	SEAT, NOZZLE	3							G
3	1	729503-53100	VALVE ASSY,INJECTION	3							
4	2	129503-53050	VALVE ASSY,INJECTION	3							
7	2	114250-53080	NUT, NOZZLE D16.95	3							
11	2	114250-53120	SPRING, NOZZLE	3							
12	2	114250-53130	SEAT, SPRING	3							
13	2	114250-53140	PLATE	3							
14	2	114250-53210	PIN	6							
15	2	114250-53400	SHIM SET	3							
22	1	129150-59120	RETAINER, PIPE	1							
25	2	129150-59130	BOLT, M4X12	2							
27	1	129100-59910	PIPE ASSY, INJECTION	1							
27-1	1	129100-59911	PIPE ASSY, INJECTION	1							N
(A=E14300)											
31	1	129100-59920	PIPE ASSY, INJECTION	1							
31-1	1	129100-59921	PIPE ASSY, INJECTION	1							N
(A=E14300)											
35	1	129100-59930	PIPE ASSY, INJECTION	1							
35-1	1	129100-59931	PIPE ASSY, INJECTION	1							N
(A=E14300)											
39	1	124766-59050	CLIP, HOSE 12	2							
40	1	124066-59100	CLIP, HOSE 8	7							
41	1	121250-59550	PIPE, FUEL D8X120	2							
42	1	119840-59560	PIPE, FUEL RETURN	1							
43	1	119840-59570	JOINT	1							
44	1	129150-59580	CAP	1							
45	1	119840-59601	BEND	1							
49	1	105025-59750	PIPE, FUEL	1							
49-1	1	129255-59580	PIPE, FUEL	1							R
(A=E14300)											
50	1	129100-59951	VALVE ASSY, CHECK	1							
58	1	23414-120000	GASKET, 12X1.0	2							G

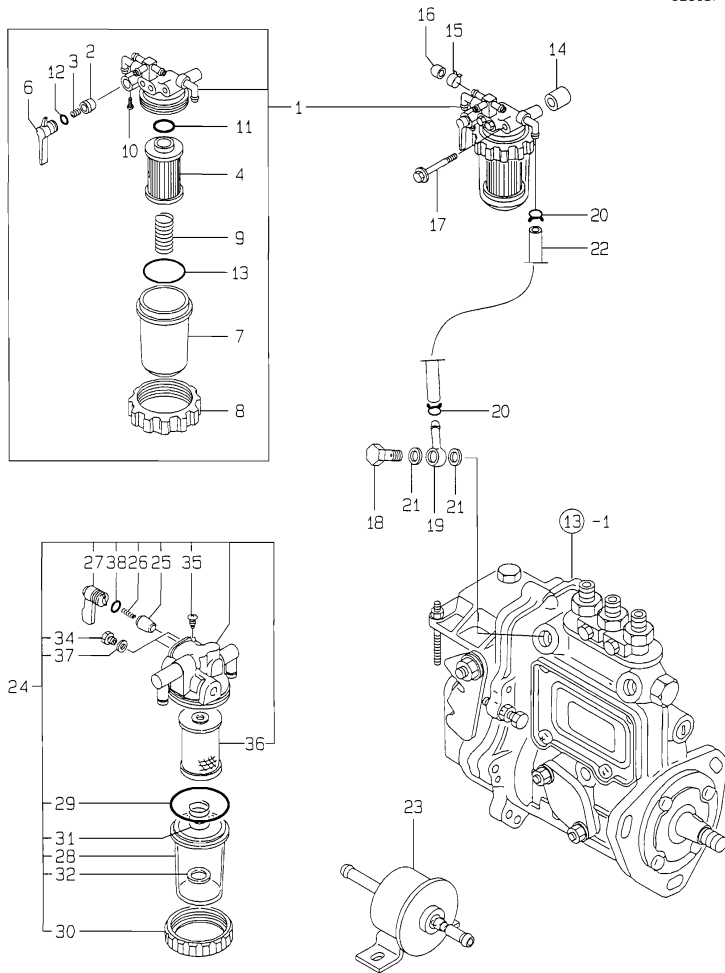
Remarks

(G) THESE PARTS ARE SOLD BY FIG.20, REF.NO.1.

Fig.16. FUEL FILTER

Y00D4700
3TN84TL-RYW

029137-55110
029255-59210
029137-93160



(A)=3TN84TL-RYW

(B)=

(C)=

(D)=

(E)=

(F)=

No.	Lev.	Parts No.	Description	Q'ty						I	R
				(A)	(B)	(C)	(D)	(E)	(F)		
1	1	129100-55621	FILTER ASSY, FUEL	1							
2	2	104200-55321	VALVE, TAPER	1							
3	2	104200-55330	SPRING, VALVE	1							
4	2	129100-55650	ELEMENT	1							
6	2	129100-55670	LEVER	1							
7	2	129100-55680	CUP, STRAINER	1							
8	2	129100-55690	RING, RETAINING	1							
9	2	129100-55700	SPRING	1							
10	2	104200-55750	SCREW, M4	1							
11	2	24311-000160	O-RING, 1AP16.0	1							
12	2	24311-240100	O-RING, 1AP10A	1							
13	2	24321-000650	O-RING, 1AG65.0	1							
14	1	129411-55690	SPACER	1							
15	1	124066-59100	CLIP, HOSE 8	1							
16	1	129150-59580	CAP	1							
17	1	26014-080852	BOLT, M8X 85	1							
18	1	103854-39140	BOLT, PIPE JOINT	1							
19	1	101304-59020	JOINT, PIPE 12	1							
20	1	124766-59050	CLIP, HOSE 12	2							
21	1	104200-59170	GASKET, 12	2							G
22	1	129555-59510	PIPE, D13/7.5X180	1							
23	1	119225-52102	PUMP ASSY, FUEL FEED	1							
24	1	129335-55700	SEPARATOR ASSY,WATER	1							
25	2	104200-55321	VALVE, TAPER	1							
26	2	104200-55330	SPRING, VALVE	1							
27	2	104200-55341	HANDLE	1							
28	2	124064-55510	COVER	1							
29	2	102103-55520	O-RING	1							
30	2	110250-55610	RING, RETAINING	1							
31	2	121257-55720	SPRING	1							
32	2	121257-55731	FLOAT	1							
34	2	101720-55750	PLUG, 6	2							
35	2	104200-55750	SCREW, M4	1							
36	2	171081-55910	SCREEN	1							
37	2	23418-060000	GASKET, 6X1.0	2							
38	2	24311-240100	O-RING, 1AP10A	1							

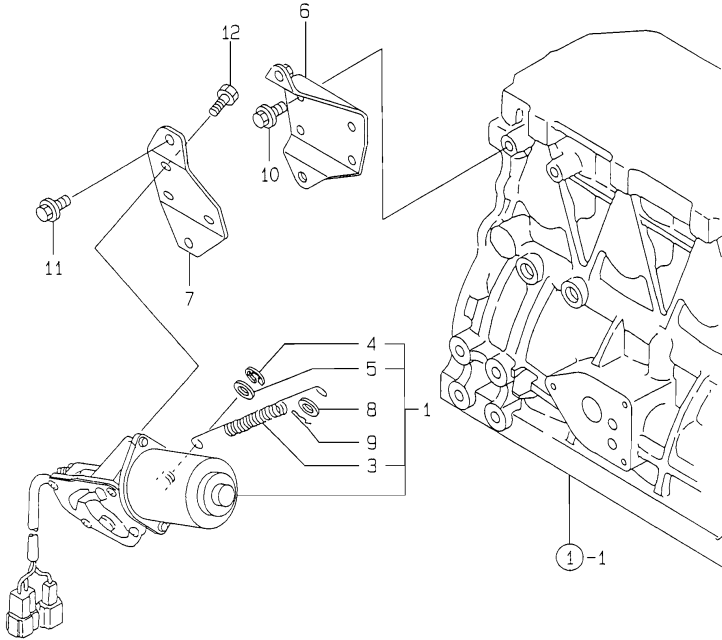
Remarks

(G) THESE PARTS ARE SOLD BY FIG.20, REF.NO.1.

Fig.17. ENGINE STOP DEVICE

Y00D4700
3TN84TL-RYW

029137-66500



(A)=3TN84TL-RYW
(B)=
(C)=

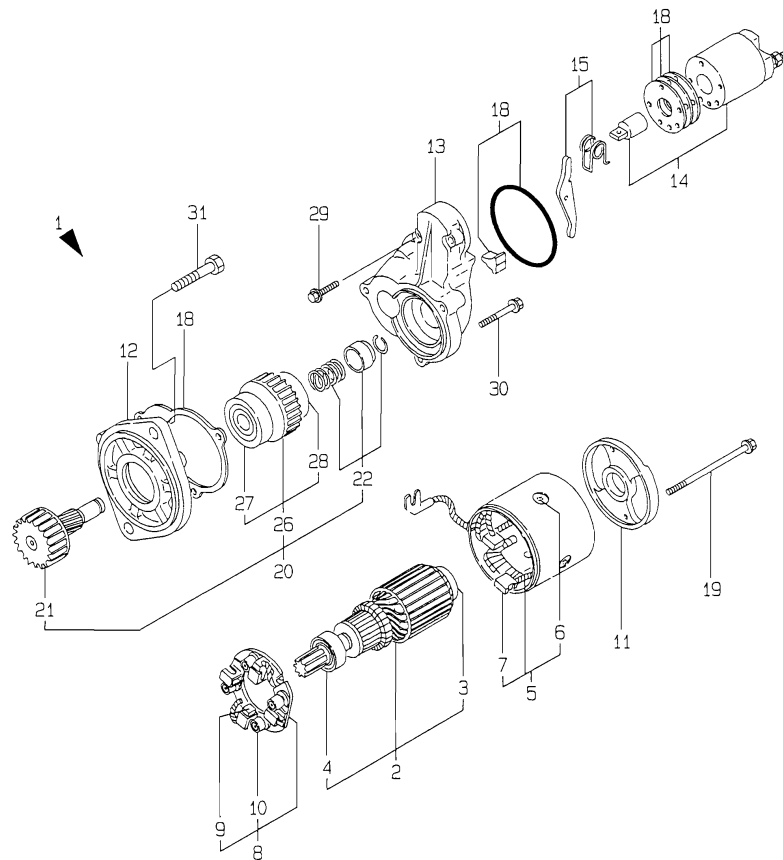
(D)=
(E)=
(F)=

No.	Lev.	Parts No.	Description	Q'ty						I	R
				(A)	(B)	(C)	(D)	(E)	(F)		
1	1	129136-66800	MOTOR ASSY, STOP	1							
3	2	129107-66830	SPRING, STOP MOTOR	1							
4	2	129566-66880	RING, SNAP	1							
5	2	129566-66890	WASHER	1							
6	1	129107-66810	BRACKET, STOP MOTOR	1							
7	1	129107-66820	BRACKET, STOP MOTOR	1							
8	1	22117-080000	WASHER, 8	1							
9	1	22360-080000	SNAP PIN 8	1							
10	1	26106-080122	BOLT, M8X 12 PLATED	2							
11	1	26106-080122	BOLT, M8X 12 PLATED	2							
12	1	26116-050102	BOLT, M5X 10 PLATED	3							

Fig.18. STARTING MOTOR

Y0004700
3TNB47L-RYW

D29400-77130



(A)=3TN84TL-RYW

(B)=

(C)=

(D)=

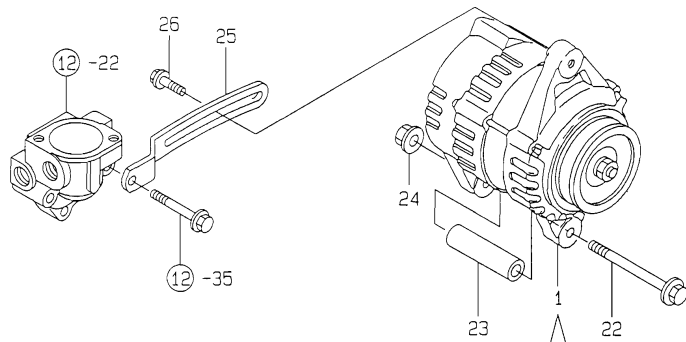
(E)=

(F)=

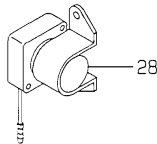
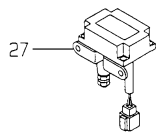
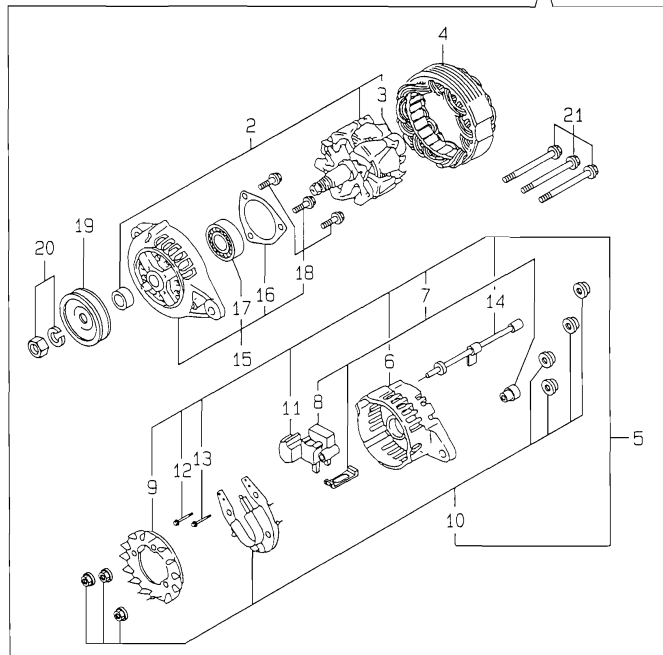
No.	Lev.	Parts No.	Description	Q'ty						I	R
				(A)	(B)	(C)	(D)	(E)	(F)		
1	1	129400-77011	STARTER, S13-94A	1							
2	2	129400-77400	ARMATURE ASSY	1							
3	3	171008-77410	BEARING(1)	1							
4	3	171008-77420	BEARING(2)	1							
5	2	129400-77440	COIL ASSY, FIELD	1							
6	3	171008-77450	SCREW	4							
7	3	129400-77460	BRUSH (+)	2							
8	2	129400-77470	HOLDER ASSY, BRUSH	1							
9	3	129400-77480	BRUSH (-)	2							
10	3	129400-77490	SPRING, BRUSH	4							
11	2	129400-77510	COVER, REAR	1							
12	2	171008-77510	HOUSING ASSY, GEAR	1							
13	2	129400-77520	HOUSING, CENTER	1							
14	2	129400-77530	SWITCH ASSY, MAGNETIC	1							
15	2	171008-77540	LEVER SET, SHIFT	1							
18	2	129400-77570	COVER KIT, DUST	1							
19	2	129400-77640	BOLT, THROUGH	2							
20	2	171008-77650	PINION ASSY	1							
21	3	171008-77660	SHAFT, PINION	1							
22	3	171008-77670	STOPPER SET, PINION	1							
26	3	171008-77720	CLUTCH ASSY	1							
27	4	171008-77730	BALL BEARING (3)	1							
28	4	171008-77740	BALL BEARING (4)	1							
29	2	26106-060322	BOLT, M6X 32 PLATED	2							
30	2	26106-060402	BOLT, M6X 40 PLATED	3							
31	1	26116-120252	BOLT, M12X 25 PLATED	2							

Fig.19. GENERATOR

Y00D4700
3TNB4TL-RYW



019836-77200
029410-77300
029137-93160



(A)=3TN84TL-RYW

(B)=

(C)=

(D)=

(E)=

(F)=

No.	Lev.	Parts No.	Description	Q'ty						I	R
				(A)	(B)	(C)	(D)	(E)	(F)		
1	1	119836-77200	GENERATOR	1							
2	2	119836-77700	ROTOR ASSY	1							
3	3	119836-77850	BALL BEARING	1							
4	2	119836-77710	STARTER ASSY	1							
5	2	119836-77721	COVER ASSY, REAR	1							
6	3	119836-77730	COVER, REAR	1							
7	3	119836-77741	BRUSH ASSY,REGULATOR	1							
8	4	119836-77750	BRUSH ASSY	1							
9	3	119836-77760	GUIDE, FAN SIDE	1							
10	3	119836-77770	DIODE ASSY	1							
11	3	119836-77780	CONDENSER	1							
12	3	119836-77871	BOLT (1)	1							
13	3	119836-77880	BOLT (2)	1							
14	3	119836-77890	WIRE ASSY, LEAD	1							
15	2	119836-77790	COVER ASSY, FRONT	1							
16	3	119836-77800	RETAINER, BEARING	1							
17	3	119836-77840	BALL BEARING	1							
18	3	119836-77860	SCREW KID	1							
19	2	119836-77810	PULLEY	1							
20	2	119836-77820	NUT ASSY, PULLEY	1							
21	2	119836-77830	BOLT, THROUGH	1							
22	1	129136-77250	BOLT M 8X105	1							
23	1	119820-77340	PIECE, DISTANCE	1							
24	1	26366-080002	NUT, M8	1							
25	1	129410-77330	ADJUSTER	1							
26	1	26014-080252	BOLT, M8X 25	1							
27	1	129136-77100	RELAY, SAFETY	1							
28	1	129100-77910	RELAY, MAGNETIC	1							

Fig.20. GASKET SET

(A)=3TN84TL-RYW

(B)=

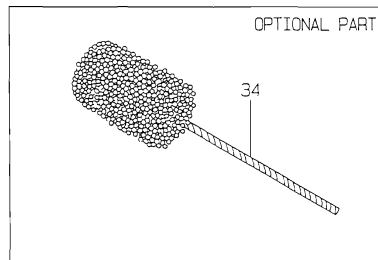
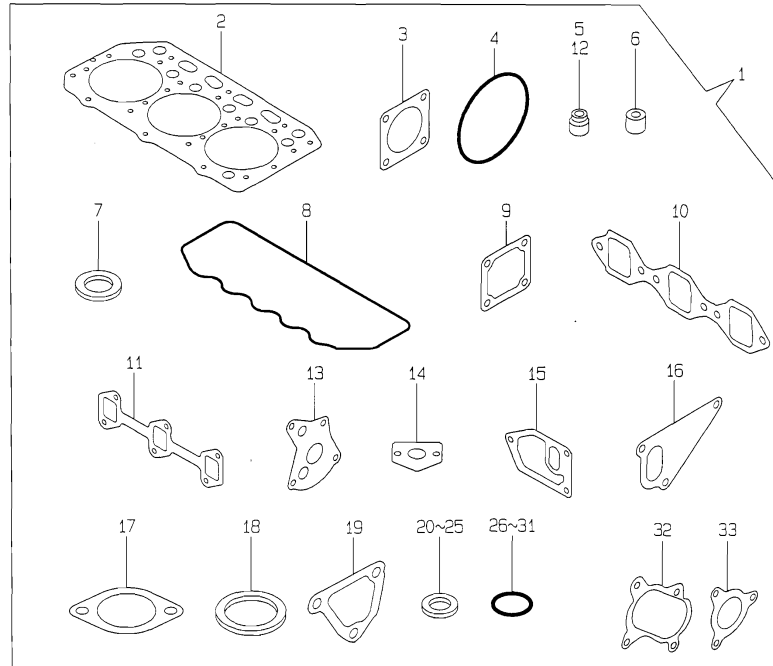
(C)=

(D)=

(E)=

(F)=

Y00D4700
3TN84TL-RYW



No.	Lev.	Parts No.	Description	Q'ty						I	R
				(A)	(B)	(C)	(D)	(E)	(F)		
1	1	729137-92620	GASKET SET	1							1
2	2	129157-01332	GASKET, HEAD	1							
3	2	124240-01883	GASKET	1							
4	2	121850-51960	O-RING	1							
5	2	124460-11340	SEAL, VALVE STEM	3							
6	2	119625-11870	PROTECTOR, NOZZLE	3							
7	2	129137-11880	SEAT, NOZZLE	3							
8	2	129150-11310	GASKET, BONNET	1							
9	2	129150-77511	GASKET	1							
10	2	129150-12111	GASKET, MANIFOLD	1							
11	2	129150-13110	GASKET	1							
12	2	121400-11340	SEAL, VALVE STEM	3							
13	2	129150-32020	GASKET, PUMP	1							
14	2	129150-35041	GASKET	1							
15	2	129120-35121	GASKET	1							
16	2	129100-42020	GASKET, WATER PUMP	1							
17	2	129795-49551	GASKET	1							
18	2	129150-49811	GASKET, THERMOSTAT	1							
19	2	129100-49840	GASKET	1							
20	2	124465-44950	GASKET, 16	1							
21	2	129150-49360	GASKET	1							
22	2	104200-59170	GASKET, 12	2							
23	2	23414-120000	GASKET, 12X1.0	2							
24	2	23414-080000	GASKET, 8X1.0	2							
25	2	23414-100000	GASKET, 10X1.0	2							
26	2	24311-000120	O-RING, 1AP12.0	3							
27	2	24311-000160	O-RING, 1AP16.0	2							
28	2	24314-000160	O-RING, 4CP16.0	1							
29	2	24311-000160	O-RING, 1AP16.0	1							
30	2	24311-000320	O-RING, 1AP32.0	1							
31	2	24341-000240	O-RING, 1AS24.0	1							
32	2	129403-18090	GASKET	1							
33	2	129477-18100	GASKET	1							
34	1	129400-92420	FLEX HORN	1							1

Remarks

(1) OPTIONAL PART.

Parts No. Index

Parts No.	Fig. No.	Ref. No.
101304-59020	16	19
101720-55750	16	34
102103-55520	16	29
103338-11190	4	26
103854-39140	16	18
104200-55321	16	2
		25
104200-55330	16	3
		26
104200-55341	16	27
104200-55750	16	10
		35
104200-59170	16	21
	20	22
104207-44480	12	36
105010-39140	11	7
105025-59750	15	49
105425-01690	3	9
110250-55610	16	30
114250-53080	15	7
114250-53120	15	11
114250-53130	15	12
114250-53140	15	13
114250-53210	15	14
114250-53400	15	15
119225-52102	16	23
119260-34810	10	18
119625-11870	15	1
	20	6
119625-11900	4	44
119810-51040	13	6
119820-77340	19	23
119836-77200	19	1
119836-77700	19	2
119836-77710	19	4
119836-77721	19	5
119836-77730	19	6
119836-77741	19	7
119836-77750	19	8
119836-77760	19	9
119836-77770	19	10
119836-77780	19	11
119836-77790	19	15
119836-77800	19	16
119836-77810	19	19
119836-77820	19	20
119836-77830	19	21
119836-77840	19	17
119836-77850	19	3
119836-77860	19	18

Parts No.	Fig. No.	Ref. No.
119836-77871	19	12
119836-77880	19	13
119836-77890	19	14
119840-59560	15	42
119840-59570	15	43
119840-59601	15	45
120130-11860	4	14
121100-22400	9	24
121111-21501	9	12
121250-59550	15	41
121252-39450	11	9
121257-55720	16	31
121257-55731	16	32
121400-11340	4	27
	20	12
121450-01560	2	6
121450-42450	12	42
121492-42290	12	15
121550-23200	9	30
121850-11860	4	17
121850-21680	9	11
121850-51960	2	13
	20	4
122117-51560	13	50
122710-51090	13	10
124064-55510	16	28
124066-59100	15	40
	16	15
124160-01751	2	7
	4	60
124160-01910	1	5
124160-11360	4	58
124160-39140	11	8
124223-39900	11	10
124240-01871	2	8
124240-01883	2	9
	20	3
124250-49351	12	44
124460-11340	4	28
	20	5
124465-44950	12	43
	20	20
124550-21600	9	16
124550-51350	13	32
124550-51370	13	33
124550-59820	11	11
124550-66370	14	59
124574-44761	12	18
124736-07900	4	1
124766-59050	15	39

Parts No.	Fig. No.	Ref. No.
124766-59050	16	20
124770-11770	12	23
124950-51190	13	17
129100-01580	3	1
		17
	9	2
129100-01640	3	18
129100-01730	3	5
129100-01790	3	11
129100-11100	4	22
129100-11130	4	24
129100-11350	4	47
129100-23910	9	29
129100-25061	7	9
129100-42002	12	1
129100-42020	12	12
	20	16
129100-49050	12	40
129100-49800	12	22
129100-49820	12	25
129100-49830	12	26
129100-49840	12	31
	20	19
129100-51300	13	27
129100-52200	13	94
129100-55621	16	1
129100-55650	16	4
129100-55670	16	6
129100-55680	16	7
129100-55690	16	8
129100-55700	16	9
129100-59910	15	27
129100-59911	15	27 -1
129100-59920	15	31
129100-59921	15	31 -1
129100-59930	15	35
129100-59931	15	35 -1
129100-59951	15	50
129100-61400	14	18
129100-61440	14	25
129100-61650	14	53
129100-61821	14	56
129100-77910	19	28
129103-01530	2	5
129103-49301	12	13
129105-22090	9	17
129105-22920	9	39
129105-22970	9	41
129107-66810	17	6
129107-66820	17	7

Parts No.	Fig. No.	Ref. No.
129107-66830	17	3
129112-01770	3	7
129120-33001	10	27
129120-33040	10	29
129120-33051	10	30
129120-33060	10	31
129120-35001	10	32
129120-35110	10	36
129120-35121	10	37
	20	15
129120-35300	10	39
129120-42350	12	16
129120-49030	12	37
129120-77501	5	11
129122-12060	5	5
129122-12100	5	1
129122-12211	5	9
129122-44480	2	12
129128-34800	10	17
129129-14580	7	3
129136-34820	10	19
129136-66800	17	1
129136-77100	19	27
129136-77250	19	22
129137-01640	3	8
129137-11880	15	2
	20	7
129137-13410	8	49
129137-18010	8	1
129137-49100	10	58
129139-12050	5	4
129139-12200	5	8
129139-13100	6	1
129139-39030	11	1
129139-39601	11	15
129150-01200	1	22
129150-01600	3	2
129150-02020	1	11
129150-02450	7	4
129150-02800	1	14
129150-02870	1	24
129150-02930	1	17
129150-02940	1	27
129150-03020	4	49
129150-03070	4	50
129150-03080	4	51
129150-03100	2	11
129150-11230	4	40
129150-11280	4	35
129150-11290	4	36

Parts No. Index

Parts No.	Fig. No.	Ref. No.
129150-11310	4	54
	20	8
129150-11370	4	29
129150-11750	4	42
129150-11810	4	16
129150-12111	5	2
	20	10
129150-13110	6	2
	20	11
129150-14101	7	7
129150-14200	7	1
129150-14400	7	2
129150-21200	9	5
129150-22300	9	23
129150-23600	9	31
129150-23610	9	45
129150-25101	7	10
129150-25900	7	15
129150-25920	7	13
129150-32020	10	15
	20	13
129150-35041	10	21
	20	14
129150-35091	10	22
129150-35151	10	38
129150-35350	10	47
129150-49360	12	45
	20	21
129150-49811	12	30
	20	18
129150-59120	15	22
129150-59130	15	25
129150-59580	15	44
	16	16
129150-77511	5	12
	20	9
129150-91400	2	24
129155-11241	4	32
129155-11260	4	33
129155-11270	4	34
129155-49800	12	29
129155-51020	13	5
129155-51050	13	8
129155-51060	13	9
129155-51140	13	14
129155-51180	13	16
129155-51200	13	18
129155-51270	13	25
129155-51280	13	26
	14	2

Parts No.	Fig. No.	Ref. No.
129155-51320	13	30
129155-51340	13	31
129155-51370	13	34
129155-51380	13	35
129155-51390	13	36
129155-51400	13	37
129155-51410	13	38
129155-51420	13	39
129155-51450	13	40
129155-51500	13	45
129155-51521	13	46
129155-51530	13	47
129155-51540	13	48
129155-51550	13	49
129155-51570	13	52
129155-51580	13	53
129155-51591	13	54
129155-51600	13	55
129155-51700	13	74
129155-51710	13	75
129155-51750	13	76
129155-51760	13	77
129155-51790	13	78
129155-51930	13	80
129155-51940	13	81
129155-52050	13	93
129155-61050	14	5
129155-61060	14	6
129155-61070	14	7
129155-61120	14	8
129155-61130	14	9
129155-61140	14	10
129155-61201	14	11
129155-61341	14	15
129155-61350	14	16
129155-61360	14	17
129155-61430	14	21
129155-61450	14	26
129155-61460	14	27
129155-61470	14	77
129155-61480	14	28
129155-61490	14	33
129155-61540	14	52
129155-61810	14	55
129155-61830	14	57
129155-61950	14	58
129156-51910	13	79
129157-01332	1	23
	20	2
129255-59580	15	49 -1

Parts No.	Fig. No.	Ref. No.
129255-61802	14	54
129335-55700	16	24
129350-49530	12	20
129400-77011	18	1
129400-77400	18	2
129400-77440	18	5
129400-77460	18	7
129400-77470	18	8
129400-77480	18	9
129400-77490	18	10
129400-77510	18	11
129400-77520	18	13
129400-77530	18	14
129400-77570	18	18
129400-77640	18	19
129400-92420	20	34
129403-18090	8	50
	20	32
129403-18720	8	2
129403-18750	8	3
129403-18770	8	4
129403-18780	8	13
129403-18800	8	22
129403-39610	11	16
129403-49050	12	38
129410-77330	19	25
129411-55690	16	14
129470-11080	4	11
129470-11090	4	12
129470-51101	13	11
129477-18100	8	47
	20	33
129500-61501	14	34
129503-53050	15	4
129553-32000	10	1
129553-39650	10	56
129555-59510	16	22
129566-66880	17	4
129566-66890	17	5
129792-39410	10	50
129795-01780	3	20
129795-01800	2	4
129795-01950	2	10
129795-02411	1	20
129795-11120	4	23
129795-11180	4	25
129795-21661	9	10
129795-49551	12	21
	20	17
135210-61090	14	80

Parts No.	Fig. No.	Ref. No.
171008-77410	18	3
171008-77420	18	4
171008-77450	18	6
171008-77510	18	12
171008-77540	18	15
171008-77650	18	20
171008-77660	18	21
171008-77670	18	22
171008-77720	18	26
171008-77730	18	27
171008-77740	18	28
171051-01921	1	6
171081-55910	16	36
171340-21650	9	9
171350-21590	9	13
171353-61710	14	78
171440-44740	12	17
174307-51170	13	15
174307-51560	13	51
174307-51700	14	35
194990-22050	6	3
	8	48
22117-040000	14	60
22117-080000	17	8
22217-060000	13	82
22217-120000	7	16
22272-000040	14	61
22272-000060	14	62
22287-120000	14	63
22351-030010	10	57
22351-030016	14	64
22351-040010	9	8
22351-050010	13	83
22351-060012	4	30
22360-080000	17	9
22372-040000	14	65
22451-060000	14	81
22512-070140	7	8
	9	6
23000-016000	12	41
23000-022000	11	17
	12	39
23000-041000	5	6
23000-060000	5	7
23414-080000	11	12
	20	24
23414-100000	10	34
	11	13
	20	25
23414-120000	15	58

Parts No. Index

Parts No.	Fig. No.	Ref. No.
23414-120000	20	23
23418-060000	16	37
23871-010000	1	7
23871-030000	4	18
	12	11
		27
23881-100002	10	35
23887-100002	14	66
24101-063034	13	84
24311-000120	4	59
	20	26
24311-000160	2	14
	10	48
	16	11
	20	27
		29
24311-000320	2	15
	4	61
	20	30
24311-240100	10	20
	14	67
	16	12
		38
24314-000160	11	18
	20	28
24321-000650	16	13
24341-000160	13	85
24341-000240	2	26
	20	31
24341-000500	4	56
26014-060252	12	19
26014-080252	19	26
26014-080852	16	17
26022-050102	13	86
	14	68
26022-060162	13	87
26023-050102	14	69
26106-060162	2	27
	11	19
26106-060202	14	70
26106-060322	18	29
26106-060402	18	30
26106-080122	2	16
	11	20
	17	10
		11
26106-080142	4	2
26106-080162	1	21
	2	17
	3	13

Parts No.	Fig. No.	Ref. No.
26106-080162	4	57
	5	10
26106-080202	2	18
	12	32
26106-080252	3	14
	4	45
	5	3
	10	49
	12	33
26106-080302	3	21
26106-080352	3	22
	5	13
	10	26
26106-080452	2	19
	3	15
	7	14
26106-080502	3	16
	4	46
	12	34
26106-080552	2	20
26106-080602	12	14
		35
26106-080802	6	4
26106-080852	2	21
26116-050102	17	12
26116-050302	13	88
26116-060162	12	28
26116-120252	18	31
26206-100202	3	3
26206-100252	3	4
26216-060202	4	19
26216-080222	6	5
26216-080802	6	6
26226-080182	4	43
26366-060002	4	31
26366-080002	2	22
	14	71
	19	24
26450-060252	10	16
26687-120002	14	79
26716-060002	13	89
26716-120002	7	17
26756-060002	14	72
26776-120002	14	73
27231-500000	1	8
27241-120000	1	9
27241-220000	4	20
27241-300000	1	10
27241-400000	4	21
27310-080001	4	26 -1

Parts No.	Fig. No.	Ref. No.
43400-500390	14	74
43400-500410	2	23
	11	14
43400-500430	14	75
43400-500450	14	76
43400-500490	3	12
	13	90
719810-01500	2	1
729102-21700	9	1
729105-22500	9	19
729105-22910	9	33
729105-22951	9	35
729106-01560	1	1
729137-92620	20	1
729138-51360	13	1
729402-11650	4	39
729402-23100	9	25
729503-53100	15	3
771364-11701	4	6
XNB139815	8	30
XNB139825	8	18
XNB139826	8	25
XNB139827	8	33

Parts No.	Fig. No.	Ref. No.
-----------	----------	----------