

OCD10-M46600EN

# PREFACE

1. This Parts Catalog is the 1st edition of 4TN84TL-RMCD Diesel Engine for MITSUBISHI.

Pub. No. : 000Y00D4660

Published : June, 1993

2. Model name

Engine model	Vehicle		Vehicle made by
	Products	Model name	
4TN84TL-RMCD	GENERATOR	—	MITSUBISHI

## Directions for the Parts Catalog.

1. This Parts Catalog shows both standard and optional parts.
2. Parts may change without prior notice.
3. The following is an example of the Parts Catalog format.

REF.	LEV.	PARTS NO.	DESCRIPTION	Q'TY						I	R
				(A)	(B)	(C)	(D)	(E)	(F)		
1	1	729595-51390	FUEL INJECTION PUMP	1	1	1	1	1			1
1-1	1	729595-51391	FUEL INJECTION PUMP	1	1	1	1	1		N	1
		(A=E00185) (B=E00200)									
3	2	26022-060162	SCREW M 6X 16	9	9	9	9	9			
3-1	2	26022-060162	SCREW M 6X 16	4	4	4	4	4		K	
		(A=E00156) (B=E00156) (C=E00156) (D=E00156) (E=E00156)									
4	2	129470-51040	CAMSHAFT	1	1	1	1	1			
5	2	122710-51050	BEARING, ROLLER	2	2	2	2	2			
6	2	129470-51060	RETAINER	1	1	1	1	1			

Remarks
(1) BOOST COMPEMSATOR TYPE. OPTIONAL PART, TO E00155,(4JH-DT, 4JH-DTZ

### ① Ref. No.

The Ref. No. listed may not be in accordance with the illustration Ref. No.

(Ex.) Illustration No.

List Ref No.

1

1

(Before change)

1-1

(After change)

For interchangeable symbols N, R and K, illustrations for new parts may be abbreviated.

### ② Lev. (Level)

Level indication

The numbers below indicate the level of relativity towards the main part.

1 ----- Main parts (Assembly parts)

2 ----- Sub component included in " 1 ".

3 ----- Sub component included in " 2 ".

Note) Parts that are not for sale are partially illustrated but not listed.

### ③ Interchangeability Symbol

When a part change takes place, one of the following interchangeability symbols is indicated beside the part.

Symbol	Interchangeability	Contents note
N	Old $\begin{matrix} \leftarrow \text{Yes} \\ \text{No} \rightarrow \end{matrix}$ New	New Part is interchangeable for Old Part but Old Part is not interchangeable for New Part.
Q	Old $\begin{matrix} \leftarrow \text{No} \\ \text{Yes} \rightarrow \end{matrix}$ New	New Part is not interchangeable for Old Part but Old Part is interchangeable for New Part.
R	Old $\begin{matrix} \leftarrow \text{Yes} \\ \text{Yes} \rightarrow \end{matrix}$ New	New/ Old Parts are both interchangeable.
S	Old $\begin{matrix} \leftarrow \text{No} \\ \text{No} \rightarrow \end{matrix}$ New	New/ Old Parts are both not interchangeable.
W		Part newly added.
Z		Part discontinued.
F		Not interchangeable by a single part but interchangeable together with related parts.
K		Changes only for used parts quantities.

### ④ Effective Machine No.

When a part changes, the effective Machine No. will be indicated in the (A)-(F) column.

Product Symbol	Product No.	Product Symbol	Product No.
C	Clutch No. Compressor No.	F	Machine No. (Agricultural Equip.)
D	Drive No.	M	Machine No.
E	Engine No.		

Note 1) A date may follow the symbol. (Ex.) 1996.01

Note 2) "XXXXX" and "ZZZZZ" are for parts that could not be predicted or for engine models that could not be identified.

Note 3) (A=E00185) is the E (Engine Serial Number) for the column (A) model (in this case 4JH-DT) after the parts design change.

### ⑤ Remarks

Figures or alphabets (symbols) are entered in the remarks column.

The comments (remarks) on parts that are indicated at the bottom of the illustration are the same symbols as those stated above.

# Contents

Fig. No.    Fig. Name

## ENGINE 4TN84TL-RMCD

1. CYLINDER BLOCK
2. GEAR HOUSING
3. FLYWHEEL HOUSING & OIL SUMP
4. CYLINDER HEAD & BONNET
5. SUCTION MANIFOLD
6. EXHAUST MANIFOLD
7. CAMSHAFT & DRIVING GEAR
8. TURBINE
9. CRANDSHAFT & PISTON
10. LUB. OIL SYSTEM
11. LUB. OIL LINE
12. COOLING WATER SYSTEM
13. FUEL INJECTION PUMP
14. GOVERNOR
15. FUEL INJECTION VALVE
16. FUEL LINE
17. STARTING MOTOR
18. TENSION PULLEY
19. PULSER
20. ELECTRICAL PARTS
21. GASKET SET

Fig. No.    Fig. Name

# Fig.1. CYLINDER BLOCK

(A)=4TN84TL-RMCD

(B)=

(C)=

(D)=

(E)=

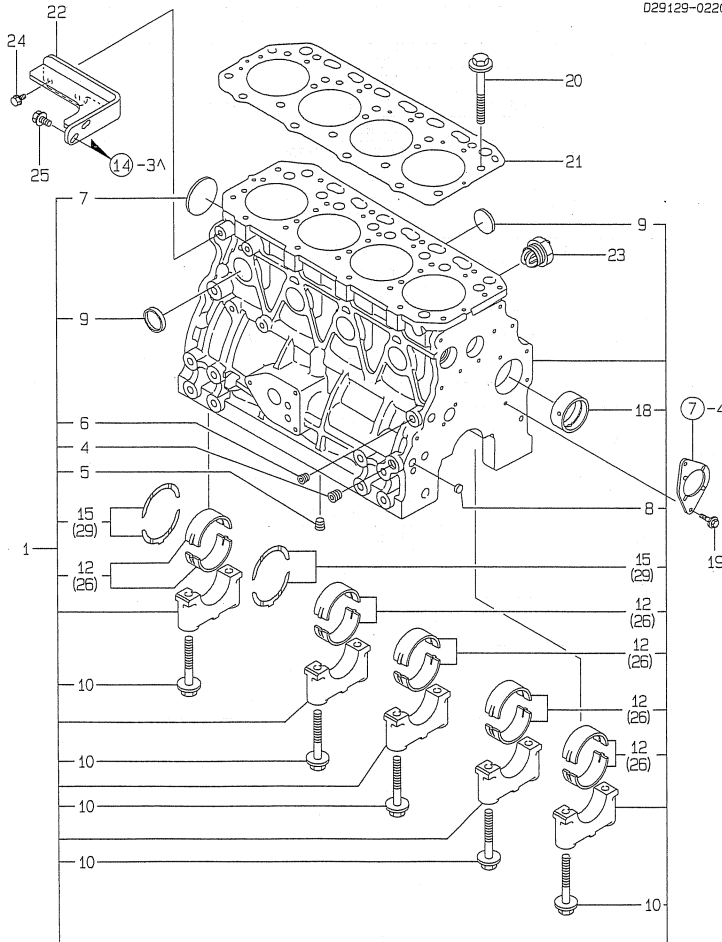
(F)=

Q'ty

I R

Y00D4660  
4TN84TL-RMCD

D29412-01100  
D29550-02101  
D29129-02200



No.	Lev.	Parts No.	Description	Q'ty						I	R
				(A)	(B)	(C)	(D)	(E)	(F)		
1	1	729405-01560	BLOCK ASSY, CYLINDER	1							
4	2	124160-01910	PLUG, PT1/4	2							
5	2	124160-01910	PLUG, PT1/4	1							
6	2	23871-010000	PLUG, R01	1							
7	2	27231-500000	PLUG 50	1							
8	2	27241-120000	PLUG, 12	2							
9	2	27241-300000	PLUG 30	8							
10	2	129150-02020	BOLT, METAL CAP	10							
12	2	129150-02800	BEARING, MAIN	5							
15	2	129150-02930	BEARING, THRUST	2							
18	2	129795-02411	BUSH, CAMSHAFT	1							
19	1	26106-080162	BOLT, M8X 16 PLATED	2							
19-1	1	26106-080142	BOLT, M8X 14 PLATED	2							N
(A=*1996.05)											
20	1	129150-01200	BOLT, HEAD	18							
21	1	129405-01330	GASKET, HEAD	1							G
21-1	1	129405-01331	GASKET, HEAD	1							R
(A=E02565)											
22	1	129412-01980	SUPPORT	1							
23	1	171015-77900	HEATER	1							
24	1	26106-060122	BOLT, M6X 12 PLATED	2							
25	1	26106-080142	BOLT, M8X 14 PLATED	2							
26	1	129150-02870	BEARING, 0.25 US	5							1
29	1	129150-02940	BEARING, THRUST 0.25	2							2

**Remarks**

- (1) UNDER-SIZE(U.S=0.25)PART.
- (2) OVER-SIZE(O.S=0.25)PART.
- (G) THESE PARTS ARE SOLD BY FIG.21, REF.NO.1.

# Fig.2. GEAR HOUSING

(A)=4TN84TL-RMCD

(B)=

(C)=

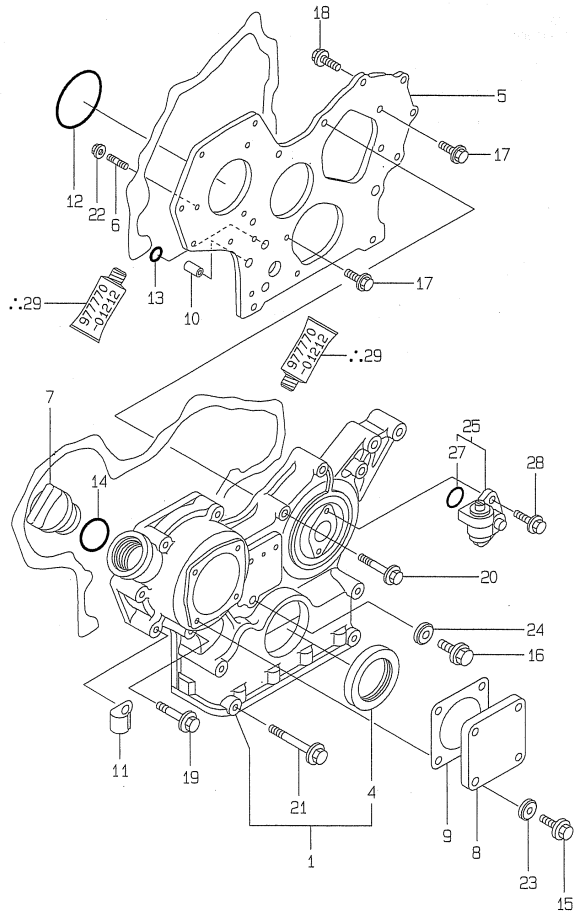
(D)=

(E)=

(F)=

Y00D4660  
4TN84TL-RMCD

発行No. 000Y00D4660-1  
更新年月 : 1996. 7  
REVISED : July, 1996



今回、印部品を追加しました。  
..MARKED PART IS NEWLY ADDED.

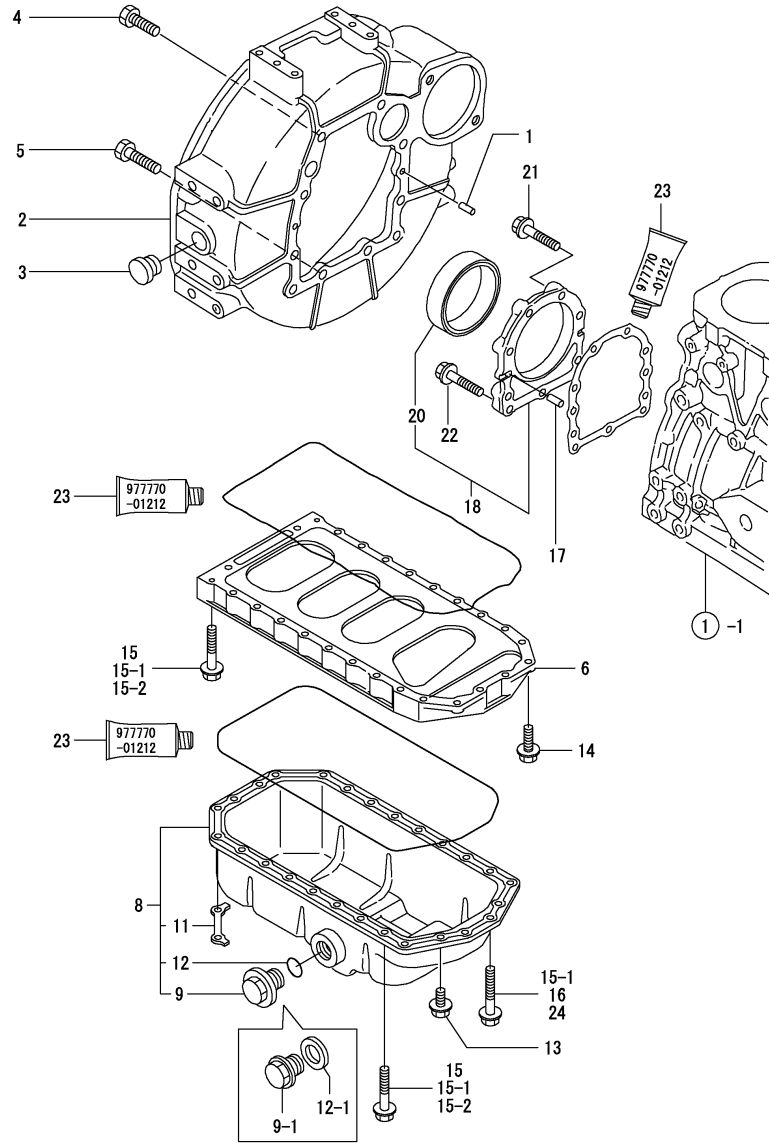
No.	Lev.	Parts No.	Description	Q'ty						I	R
				(A)	(B)	(C)	(D)	(E)	(F)		
1	1	719810-01500	CASE ASSY, GEAR	1							
4	2	129795-01800	SEAL, OIL	1							
5	1	129400-01520	FLANGE, GEAR CASE	1							
6	1	121450-01560	STUD, M8X22	3							
7	1	124160-01751	COVER, FILLER	1							
8	1	124240-01871	COVER	1							
9	1	124240-01883	GASKET	1							G
10	1	129795-01950	PIPE, KNOCK L=18	2							
11	1	129150-03100	RETAINER, PIPE	1							
12	1	121850-51960	O-RING	1							G
13	1	24311-000160	O-RING, 1AP16.0	2							G
14	1	24311-000320	O-RING, 1AP32.0	1							G
15	1	26106-080122	BOLT, M8X 12 PLATED	4							
16	1	26106-080162	BOLT, M8X 16 PLATED	1							
17	1	26106-080162	BOLT, M8X 16 PLATED	3							
18	1	26106-080202	BOLT, M8X 20 PLATED	2							
19	1	26106-080452	BOLT, M8X 45 PLATED	6							
20	1	26106-080552	BOLT, M8X 55 PLATED	3							
21	1	26106-080852	BOLT, M8X 85 PLATED	4							
22	1	26366-080002	NUT, M8	3							
23	1	43400-500410	SEAL WASHER 8S	4							G
23-1	1	22190-080002	WASHER, SEAL 6	4							N G
(A=E02565)											
24	1	43400-500410	SEAL WASHER 8S	1							G
24-1	1	22190-080002	WASHER, SEAL 6	1							N G
(A=E02565)											
25	1	129150-91400	GEAR	1							
27	2	24341-000240	O-RING, 1AS24.0	1							G
28	1	26106-060162	BOLT, M6X 16 PLATED	2							
29	1	977770-01212	GASKET, LIQUID	1							W 1
(A=EXXX)											

Remarks

(G) THESE PARTS ARE SOLD BY FIG.21,  
REF.NO.1.

(1) OPTIONAL PART.

Fig.3. FLYWHEEL HOUSING & OIL SUMP



(A)=4TN84TL-RMCD

(B)=

(C)=

(D)=

(E)=

(F)=

No.	Lev.	Parts No.	Description	Qty						I	R
				(A)	(B)	(C)	(D)	(E)	(F)		
1	1	129100-01580	PIN, M8X16	2							
2	1	171301-01600	HOUSING, FLYWHEEL	1							
3	1	119620-01750	CAP	1							
4	1	26206-100252	BOLT, M10X 25 PLATED	6							
5	1	26206-100302	BOLT, M10X 30 PLATED	4							
6	1	129400-01730	SPACER, OIL SUMP	1							
8	1	129400-01770	SUMP ASSY, OIL	1							
9	2	171301-01640	PLUG, 22	1							
9-1	2	119640-01640	PLUG, DRAIN M22	1							S
		(A=E03124)									
9-2	2	171301-01640	PLUG, 22	1							N
		(A=E03398)									
11	2	129100-01790	RETAINER	2							Z
		(A=E02565)									
12	2	24341-000240	O-RING, 1AS24.0	1							G
12-1	2	22190-220002	WASHER, SEAL 22	1							S G
		(A=E03124)									
12-2	2	24341-000250	O-RING, 1AS25.0	1							N G
		(A=E03398)									
13	1	26106-080162	BOLT, M8X 16 PLATED	4							
14	1	26106-080252	BOLT, M8X 25 PLATED	2							
15	1	26106-080452	BOLT, M8X 45 PLATED	20							
15-1	1	26106-080452	BOLT, M8X 45 PLATED	24							K
		(A=E02565)									
15-2	1	26106-080452	BOLT, M8X 45 PLATED	20							K
		(A=FROM 1ST)									
16	1	26106-080502	BOLT, M8X 50 PLATED	4							Z
		(A=E02565)									
17	1	129100-01580	PIN, M8X16	2							
18	1	129100-01640	CASE ASSY, OIL SEAL	1							
20	2	129795-01780	SEAL, OIL	1							
21	1	26106-080302	BOLT, M8X 30 PLATED	6							
21-1	1	129486-01670	BOLT, M8X30	6							R
		(A=*1996.06)									
22	1	26106-080352	BOLT, M8X 35 PLATED	3							
23	1	977770-01212	GASKET, LIQUID	1							W 1
		(A=E03398)									
24	1	26106-080502	BOLT, M8X 50 PLATED	4							W
		(A=FROM 1ST)									

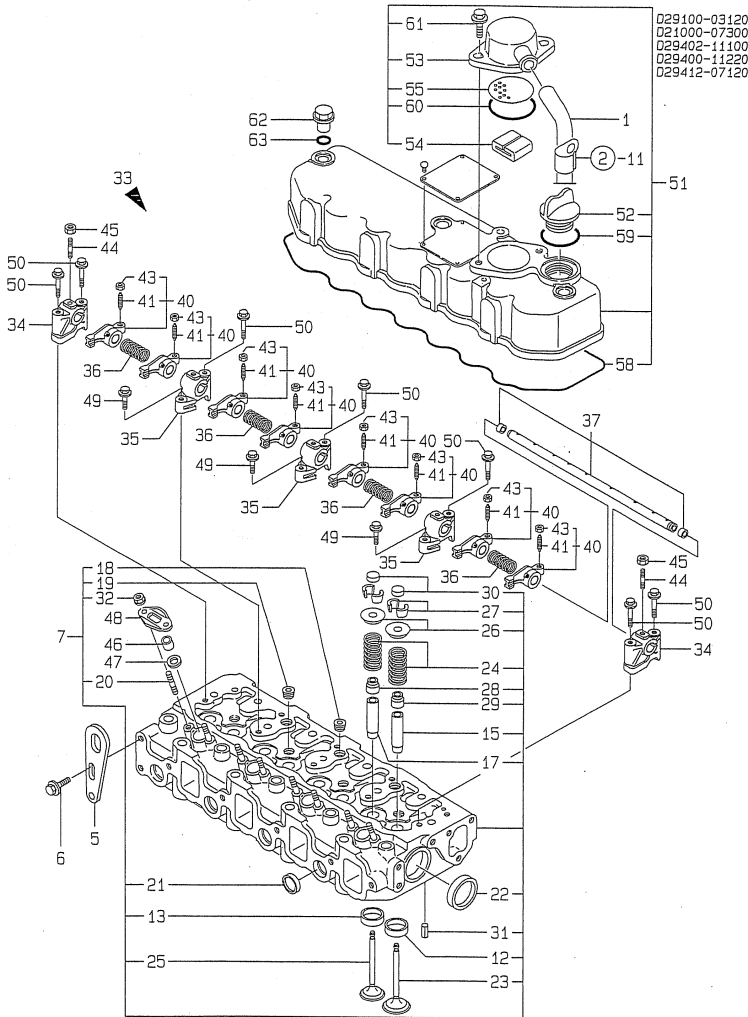
Remarks

(G) THESE PARTS ARE SOLD BY FIG.21, REF.NO.1.

(1) OPTIONAL PART.

Fig.4. CYLINDER HEAD & BONNET

Y00D4660  
4TN84TL-RMCD



(A)=4TN84TL-RMCD

(B)=

(C)=

(D)=

(E)=

(F)=

No.	Lev.	Parts No.	Description	Q'ty						I	R
				(A)	(B)	(C)	(D)	(E)	(F)		
1	1	129150-03090	HOSE, ID16X2T	1							
5	1	124736-07900	LIFTER	1							
6	1	26106-080142	BOLT, M8X 14 PLATED	2							
7	1	729411-11700	HEAD ASSY, CYLINDER	1							
12	2	129470-11080	SEAT, INTAKE VALVE	4							
13	2	129470-11090	SEAT, EXHAUST VALVE	4							
15	2	120130-11860	GUIDE, VALVE	4							1
17	2	129150-11810	GUIDE, VALVE	4							1
18	2	121850-11860	PLUG, PT1/4	3							
18-1	2	23871-020000	PLUG, R02	3							N
		(A=E04217)									
19	2	23871-030000	PLUG, R03	4							
20	2	26216-060202	STUD, M6X 20	8							
21	2	27241-220000	PLUG, 22	4							
22	2	27241-400000	PLUG, 40	2							
23	2	129100-11100	VALVE, INTAKE	4							
24	2	129795-11120	SPRING, VALVE	8							
25	2	129100-11130	VALVE, EXHAUST	4							
26	2	129795-11180	RETAINER, SPRING	8							
27	2	103338-11190	COTTER	8							
27-1	2	27310-080001	COTTER, 8	8							R
		(A=EXXXXX)									
28	2	121400-11340	SEAL, VALVE STEM	4							G
29	2	124460-11340	SEAL, VALVE STEM	4							G
30	2	129150-11370	CAP, VALVE	8							
31	2	22351-060012	PIN, SPRING 6.0X12	2							
32	2	26366-060002	NUT, M6	8							
33	1	129555-11241	SHAFT ASSY, ROCKER	1							
34	2	129155-11260	SUPPORT, ROCKER ARM	2							
35	2	129155-11270	SUPPORT, ROCKER ARM	3							
36	2	129150-11280	SPRING	4							
37	2	129550-11290	SHAFT, ROCKER ARM	1							
40	2	729402-11650	ARM ASSY, ROCKER	8							
41	3	129150-11230	SCREW, VALVE ADJUST	8							
43	3	129150-11750	NUT, M8	8							
44	2	26226-080182	STUD, M8X 18	3							
45	2	26756-080002	NUT, LOCK M8	3							
46	1	119625-11870	PROTECTOR, NOZZLE	4							G
46-1	1	119625-11871	PROTECTOR, NOZZLE	4							R G
		(A=E03173)									
47	1	119625-11880	SEAT, NOZZLE	4							G
48	1	119625-11900	RETAINER, NOZZLE	4							
49	1	26106-080252	BOLT, M8X 25 PLATED	3							
50	1	26106-080502	BOLT, M8X 50 PLATED	7							
51	1	129400-11350	BONNET ASSY, HEAD	1							
52	2	124160-01751	COVER, FILLER	1							
53	2	129150-03020	COVER, BREATHER	1							
54	2	129150-03070	BAFFLE, BREATHER	1							
55	2	129150-03080	PLATE, BAFFLE	1							
58	2	129550-11310	GASKET, BONNET	1							G
59	2	24311-000320	O-RING, 1AP32.0	1							G

Remarks

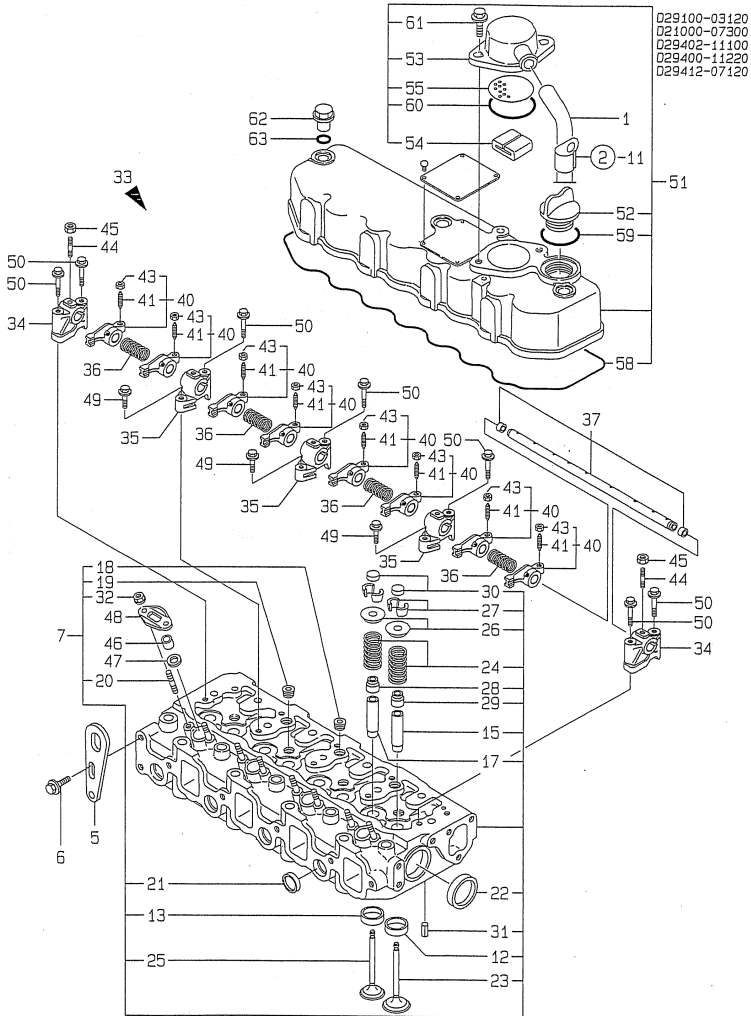
(1) REPAIR PART.

(G) THESE PARTS ARE SOLD BY FIG.21, REF.NO.1.



Fig.4. CYLINDER HEAD & BONNET

Y00D4660  
4TN84TL-RMCD



(A)=4TN84TL-RMCD

(B)=

(C)=

(D)=

(E)=

(F)=

No.	Lev.	Parts No.	Description	Q'ty						I	R
				(A)	(B)	(C)	(D)	(E)	(F)		
60	2	24341-000500	O-RING, 1AS50.0	1							G
61	2	26106-080162	BOLT, M8X 16 PLATED	2							
62	1	124160-11360	KNOB	3							
63	1	24311-000120	O-RING, 1AP12.0	3							G

Remarks

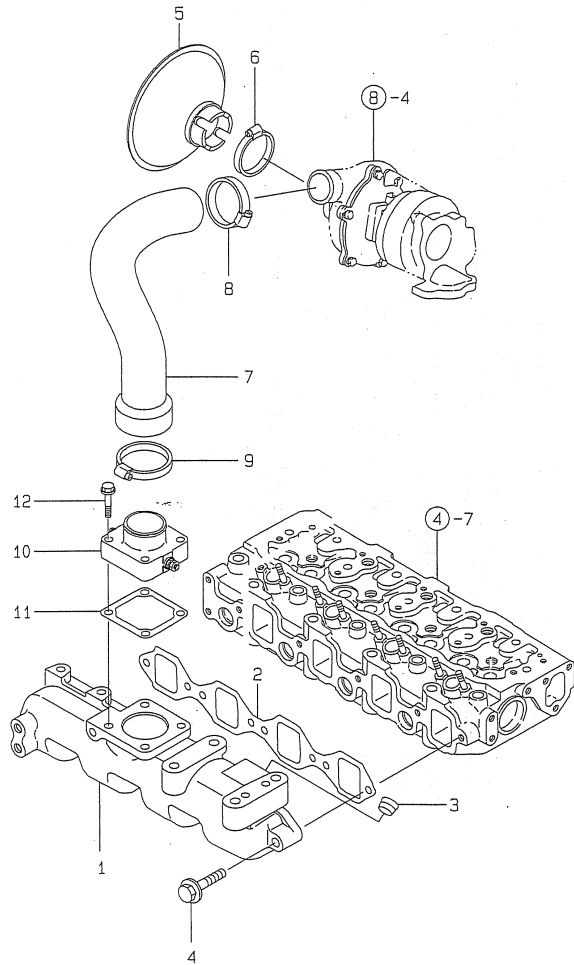
(1) REPAIR PART.

(G) THESE PARTS ARE SOLD BY FIG.21,  
REF.NO.1.

# Fig.5. SUCTION MANIFOLD

Y00D4660  
4TN84TL-RMCD

029400-12100  
029412-12120  
029403-12320  
029100-77501



(A)=4TN84TL-RMCD

(B)=

(C)=

(D)=

(E)=

(F)=

No.	Lev.	Parts No.	Description	Q'ty						I	R
				(A)	(B)	(C)	(D)	(E)	(F)		
1	1	129400-12100	MANIFOLD, AIR INTAKE	1							
2	1	129550-12111	GASKET, MANIFOLD	1							G
3	1	23871-030000	PLUG, R03	1							
4	1	26106-080352	BOLT, M8X 35 PLATED	5							
5	1	129412-12460	COVER	1							
6	1	23000-054000	CLAMP, 54	1							
7	1	129403-12090	PIPE, AIR INTAKE	1							
8	1	23000-054000	CLAMP, 54	1							
9	1	23000-060000	CLAMP, 60	1							
10	1	129120-77501	HEATER	1							
11	1	129150-77511	GASKET	1							G
12	1	26106-080352	BOLT, M8X 35 PLATED	4							

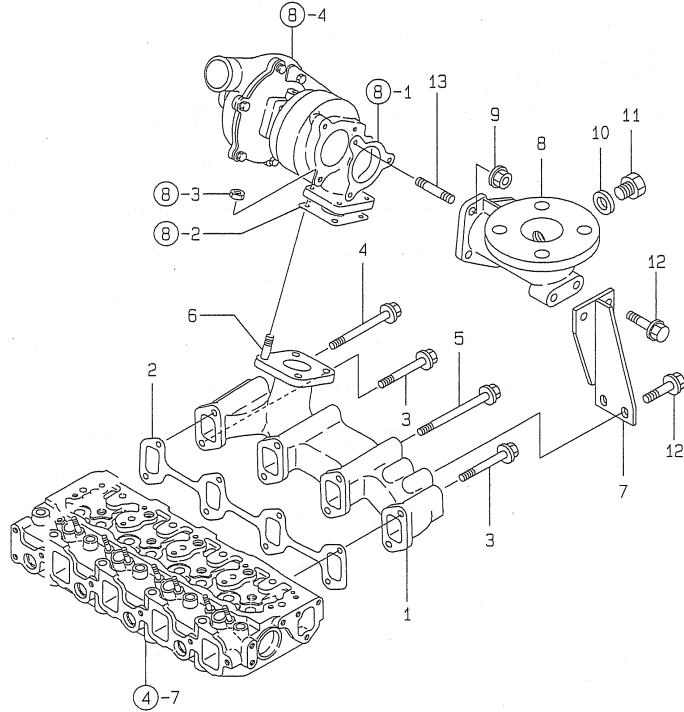
Remarks

(G) THESE PARTS ARE SOLD BY FIG.21,  
REF.NO.1.

# Fig.6. EXHAUST MANIFOLD

Y00D4660  
4TNB4TL-RMCD

029406-13110TK  
029412-18320TK



(A)=4TN84TL-RMCD  
(B)=  
(C)=

(D)=  
(E)=  
(F)=

No.	Lev.	Parts No.	Description	Q'ty						I	R
				(A)	(B)	(C)	(D)	(E)	(F)		
1	1	129406-13100	MANIFOLD, EXHAUST	1							
2	1	129550-13110	GASKET	1							G
3	1	26106-080652	BOLT, M8X 65 PLATED	3							
4	1	26106-080852	BOLT, M8X 85 PLATED	1							
5	1	26106-081002	BOLT, M8X100 PLATED	4							
6	1	26216-080222	STUD, M8X 22	4							
7	1	129412-18290	SUPPORT	1							
8	1	129412-18400	BEND, EXHAUST	1							
9	1	194990-22050	NUT, M8	3							
10	1	23414-170000	GASKET, 17X1.0	1							G
11	1	23894-030002	PLUG, G3/8	1							
12	1	26106-080142	BOLT, M8X 14 PLATED	4							
13	1	26216-080222	STUD, M8X 22	3							

Remarks  
(G) THESE PARTS ARE SOLD BY FIG.21,  
REF.NO.1.

# Fig.7. CAMSHAFT & DRIVING GEAR

(A)=4TN84TL-RMCD

(B)=

(C)=

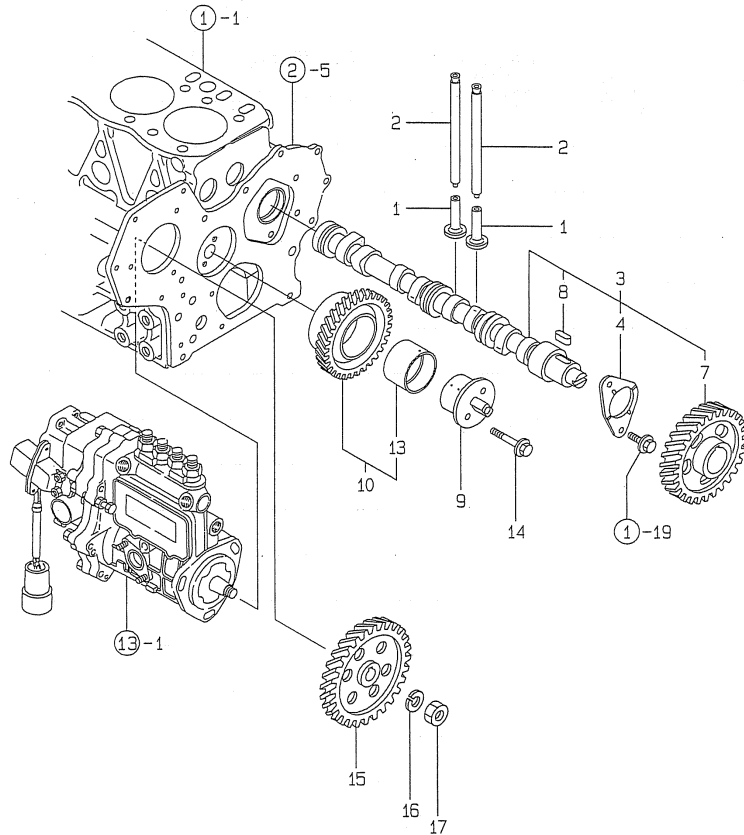
(D)=

(E)=

(F)=

Y00D4660  
4TN84TL-RMCD

D29400-14110  
D29100-25101  
D29150-25200



No.	Lev.	Parts No.	Description	Q'ty						I	R
				(A)	(B)	(C)	(D)	(E)	(F)		
1	1	129150-14200	TAPPET	8							
2	1	129150-14400	ROD, PUSH L=178	8							
3	1	729402-14580	CAMSHAFT ASSY	1							
4	2	129150-02450	BEARING, THRUST	1							
7	2	129150-14101	GEAR, CAMSHAFT	1							
8	2	22512-070140	KEY, 7X 14	1							
9	1	129100-25061	SHAFT, IDLE	1							
10	1	129150-25101	GEAR ASSY, IDLE	1							
13	2	129150-25920	BUSH, IDLE GEAR	1							1
14	1	26106-080452	BOLT, M8X 45 PLATED	2							
15	1	129150-25900	GEAR, PUMP	1							
16	1	22217-120000	WASHER, SPRING 12	1							
17	1	26716-120002	NUT, M12	1							

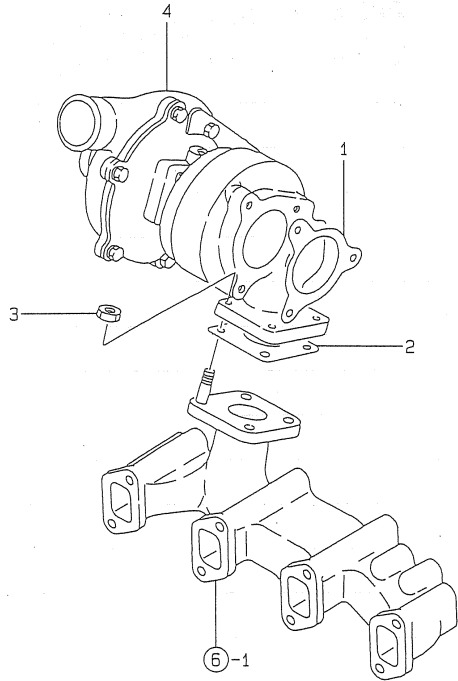
Remarks

(1) REPAIR PART.

### Fig.8. TURBINE

Y00D4650  
4TN84TL-RMCD

D29406-18120



(A)=4TN84TL-RMCD  
(B)=  
(C)=

(D)=  
(E)=  
(F)=

No.	Lev.	Parts No.	Description	Q'ty						I	R
				(A)	(B)	(C)	(D)	(E)	(F)		
1	1	129792-13520	GASKET	1							G
1-1	1	129792-13521	GASKET	1							R G
(A=E02565)											
2	1	129472-18090	GASKET	1							G
3	1	194990-22050	NUT, M8	4							
4	1	129406-18030	TURBINE, RHB52	1							

Remarks  
(G) THESE PARTS ARE SOLD BY FIG.21,  
REF.NO.1.

# Fig.9. CRANSHAFT & PISTON

(A)=4TN84TL-RMCD

(B)=

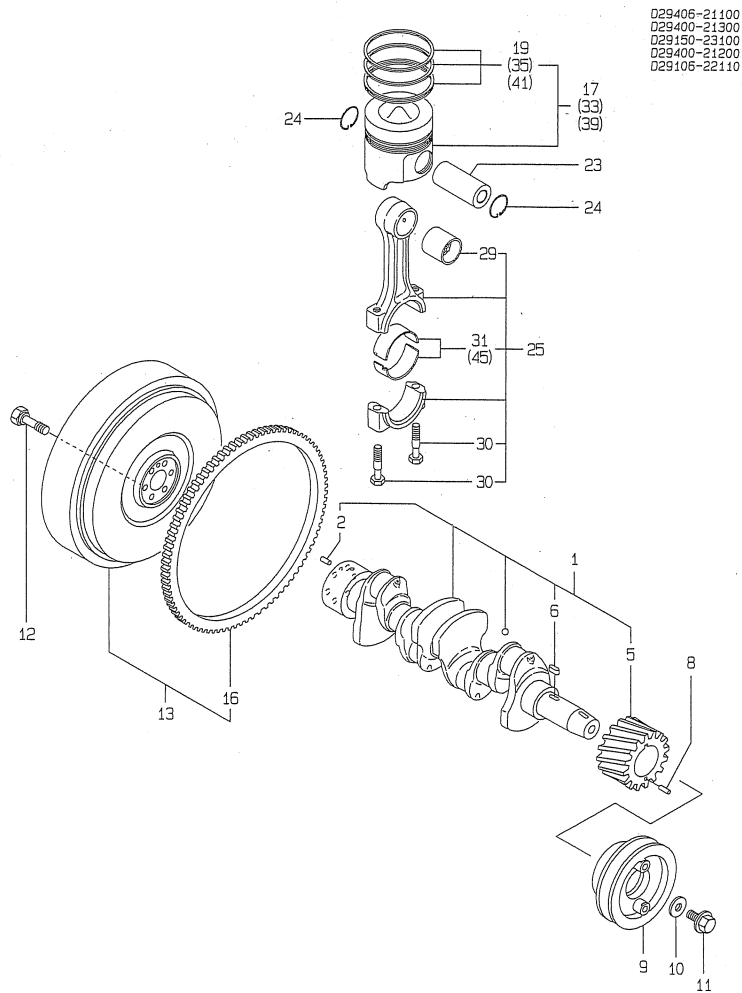
(C)=

(D)=

(E)=

(F)=

Y00D4660  
4TN84TL-RMCD



No.	Lev.	Parts No.	Description	Q'ty						I	R
				(A)	(B)	(C)	(D)	(E)	(F)		
1	1	729406-21700	CRANKSHAFT ASSY	1							
2	2	129100-01580	PIN, M8X16	1							
5	2	129150-21200	GEAR, CRANKSHAFT	1							
6	2	22512-070140	KEY, 7X 14	1							
8	1	22351-040010	PIN, SPRING 4.0X10	1							
9	1	171301-21650	V-PULLEY	1							
10	1	129795-21661	WASHER	1							
11	1	121850-21680	BOLT	1							
12	1	121111-21501	BOLT, FLYWHEEL	6							
13	1	171420-21580	FLYWHEEL ASSY	1							
16	2	119865-21600	GEAR, RING	1							
17	1	129106-22080	PISTON ASSY	4							
19	2	729105-22500	RING SET, PISTON	4							
23	1	129150-22300	PIN, PISTON D26 L66	4							
24	1	121100-22400	CIRCLIP	8							
25	1	729402-23100	ROD ASSY, CONNECTING	4							
29	2	129100-23910	BEARING, PISTON PIN	4							1
30	2	121550-23200	BOLT, CONNECTING ROD	8							
31	2	129150-23600	BEARING, CRANK PIN	4							
33	1	729106-22900	PISTON ASSY, 0.25 OS	4							2
35	2	729105-22951	RING SET, 0.25 OS	4							2
39	1	129106-22920	PISTON ASSY, 0.50 OS	4							3
41	2	129105-22970	RING SET, 0.50 OS	4							3
45	1	129150-23610	BEARING, 0.25 US	4							4

Remarks

- (1) REPAIR PART.
- (2) OVER-SIZE(O.S=0.25)PART.
- (3) OVER-SIZE(O.S=0.50)PART.
- (4) UNDER-SIZE(U.S=0.25)PART.

Fig.10. LUB. OIL SYSTEM

(A)=4TN84TL-RMCD

(B)=

(C)=

(D)=

(E)=

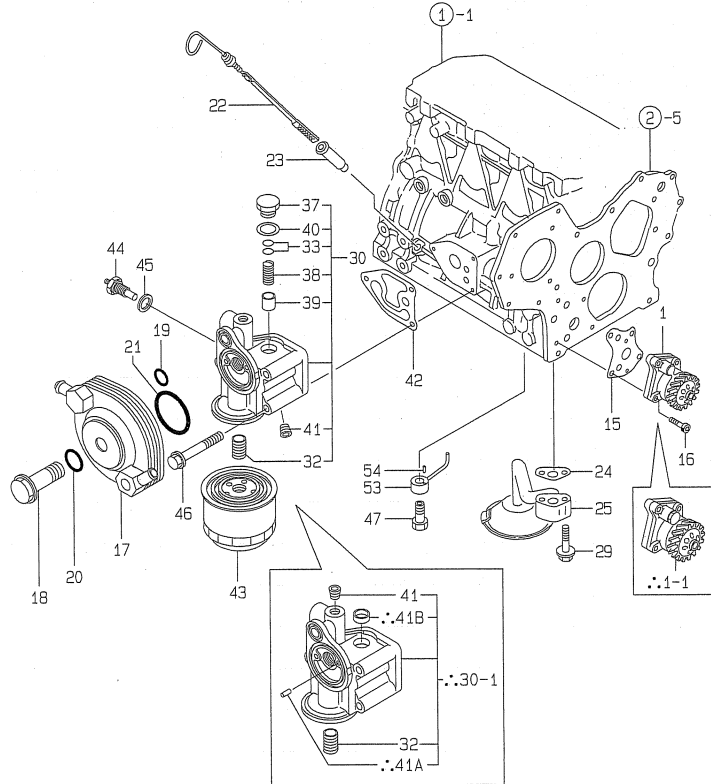
(F)=

Q'ty

I R

Y00D4660  
3TNB47L-RMCD

発行No. 000Y00D4660-1  
更新年月 : 1998. 7  
REVISED : July, 1998



.:印が今回変更 (追加) した箇所です。  
.: MARKED PART HAS BEEN CHANGED (ADDED).

No.	Lev.	Parts No.	Description	Q'ty						I	R
				(A)	(B)	(C)	(D)	(E)	(F)		
1	1	129553-32000	PUMP ASSY, OIL	1							
1-1	1	129418-32000	PUMP ASSY, OIL	1							F 1
(A=E03357)											
15	1	129150-32020	GASKET, PUMP	1							G
16	1	26450-060252	BOLT, M6X 25	4							
17	1	129103-33031	COOLER, OIL	1							
18	1	129103-33132	BOLT	1							
19	1	24311-000200	O-RING, 1AP20.0	1							
20	1	24311-000210	O-RING, 1AP21.0	1							
21	1	24321-000550	O-RING, 1AG55.0	1							
22	1	129403-34800	DIPSTICK, OIL	1							
23	1	121520-34810	GUIDE, DIPSTICK	1							
24	1	129150-35041	GASKET	1							G
25	1	129436-35090	PIPE ASSY, OIL INLET	1							
29	1	26106-080352	BOLT, M8X 35 PLATED	2							
30	1	129412-35101	BRACKET ASSY	1							
30-1	1	129412-35102	BRACKET ASSY	1							F 1
(A=E03357)											
32	2	129100-35140	STUD	1							
33	2	121850-35200	SHIM SET	1							Z
(A=E03357)											
37	2	124223-35510	RETAINER, SPRING	1							Z
(A=E03357)											
38	2	121850-35520	SPRING	1							Z
(A=E03357)											
39	2	121850-35531	VALVE, CONTROL	1							Z
(A=E03357)											
40	2	23414-180000	GASKET, 18X1.0	1							Z
(A=E03357)											
41	2	23871-020000	PLUG, R02	1							
41A	2	22312-060080	PIN, PARALLEL M6X 8	2							W
(A=E03357)											
41B	2	27241-200000	PLUG, 20	1							W
(A=E03357)											
42	1	129103-35122	GASKET	1							G
43	1	129150-35150	FILTER 90X80L	1							
43-1	1	129150-35151	FILTER, D80XL80	1							R
(A=E02264)											
44	1	124250-49351	SENSOR	1							
45	1	129150-49360	GASKET	1							
46	1	26106-080752	BOLT, M8X 75 PLATED	3							
47	1	129792-39410	VALVE ASSY, CHECK	4							
53	1	129553-39650	NOZZLE	4							
54	1	22351-030010	PIN, SPRING 3.0X10	4							

Remarks

(G) THESE PARTS ARE SOLD BY FIG.21,

REF.NO.1.

(1) REF.NO.1-1 & 30-1 INTERCHANGEABLE

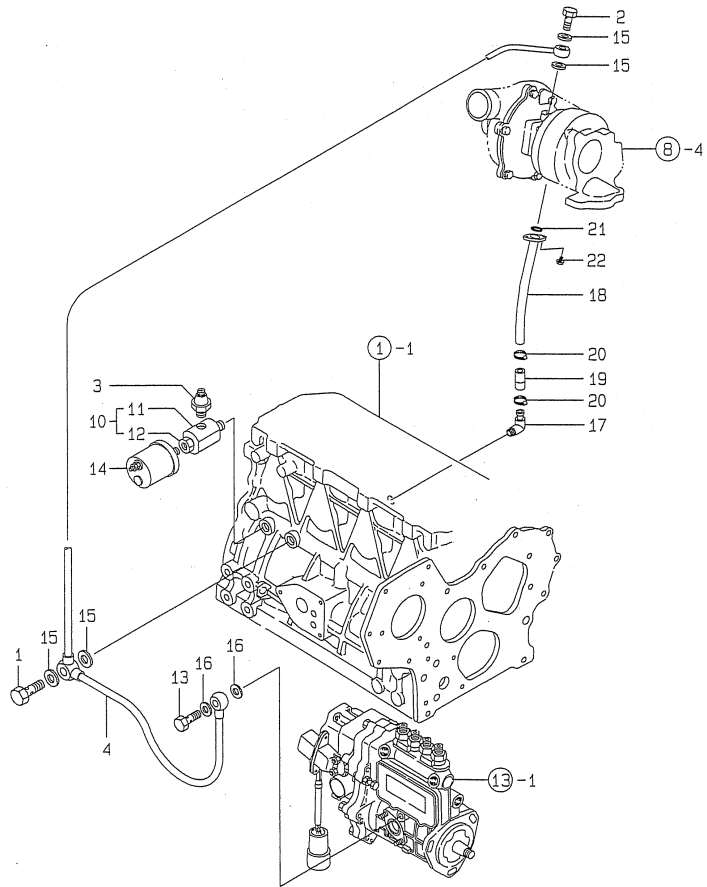
BY SET.

N:Old  $\xrightarrow{\text{Yes}}$  New, Q:Old  $\xrightarrow{\text{No}}$  New, R:Old  $\xrightarrow{\text{Yes}}$  New, S:Old  $\xrightarrow{\text{No}}$  New, W:Add, Z:Discontinued, F:Interchangeable by set, K:Q'ty Change

# Fig.11. LUB. OIL LINE

Y00D4650  
4TNB4TL-RMCD

D29412-39110  
D29503-39200  
U71335-39400



(A)=4TN84TL-RMCD

(B)=

(C)=

(D)=

(E)=

(F)=

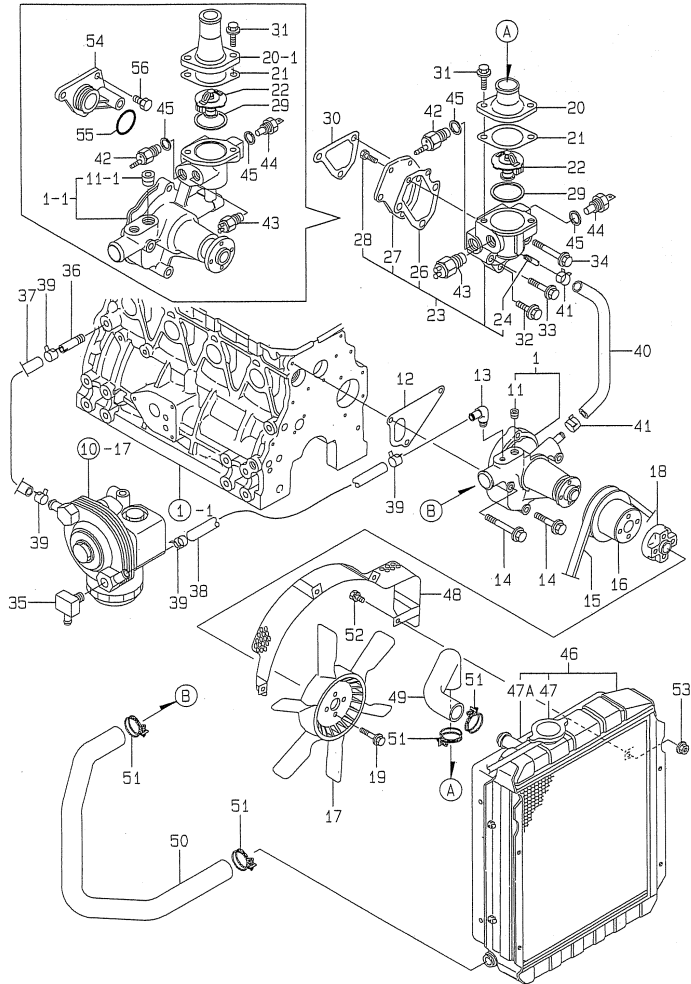
No.	Lev.	Parts No.	Description	Q'ty						I	R
				(A)	(B)	(C)	(D)	(E)	(F)		
1	1	124160-39140	BOLT, PIPE JOINT M10	1							
2	1	121252-39150	BOLT, JOINT M10X1.5	1							
3	1	124160-39450	SWITCH, 0.5KG	1							
4	1	129403-39460	PIPE ASSY, OIL	1							
10	1	171375-39600	DAMPER ASSY	1							
10-1	1	171375-39601	DAMPER, 1/8	1							R
		(A=*1996.06)									
11	2	129470-39610	DAMPER	1							Z
		(A=*1996.06)									
12	2	23161-020100	BUSH, R1/4X1/8	1							Z
		(A=*1996.06)									
13	1	124550-59820	BOLT, PIPE JOINT M8	1							
14	1	144626-91560	SENSOR	1							
15	1	23414-100000	GASKET, 10X1.0	4							G
16	1	43400-500410	SEAL WASHER 8S	2							G
16-1	1	22190-080002	WASHER, SEAL 6	2							N G
		(A=E02565)									
17	1	124070-13300	ELBOW, PT3/8	1							
18	1	129503-39600	PIPE, OIL	1							
19	1	129506-39610	JOINT, RUBBER	1							
20	1	23000-025000	CLAMP, 25	2							
21	1	24314-000160	O-RING, 4CP16.0	1							G
22	1	26106-060162	BOLT, M6X 16 PLATED	2							

Remarks

(G) THESE PARTS ARE SOLD BY FIG.21,  
REF.NO.1.



Fig.12. COOLING WATER SYSTEM



(A)=4TN84TL-RMCD

(B)=

(C)=

(D)=

(E)=

(F)=

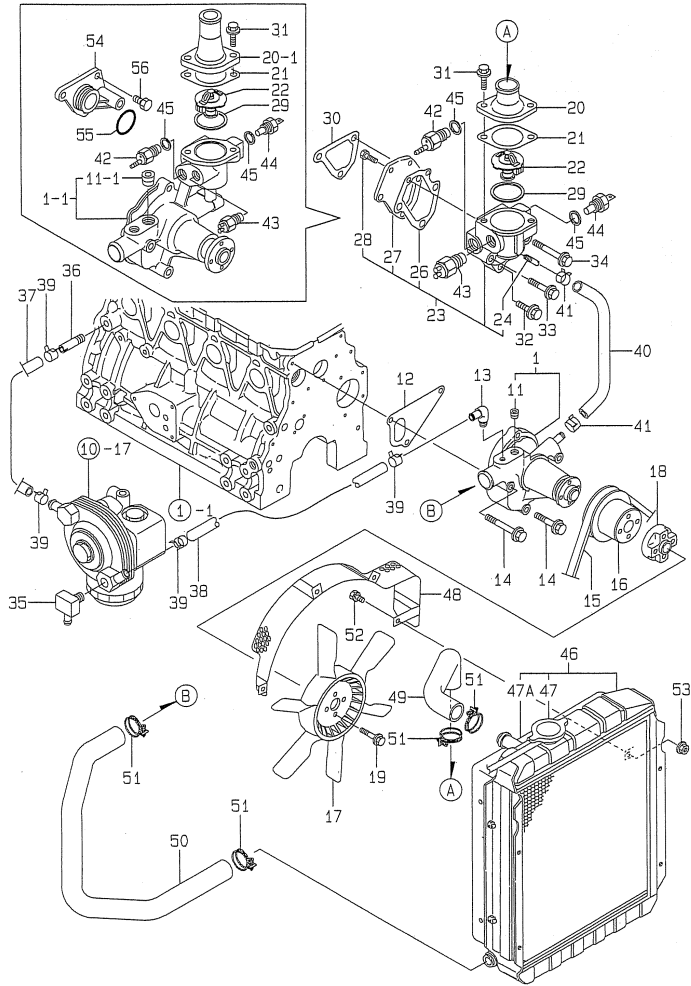
No.	Lev.	Parts No.	Description	Qty						I	R
				(A)	(B)	(C)	(D)	(E)	(F)		
1	1	129100-42002	PUMP ASSY, WATER	1							
1-1	1	129001-42001	PUMP ASSY, WATER	1							F 1
		(A=E04248)									
1-2	1	129001-42002	PUMP ASSY, WATER	1							N
		(A=*1996.07)									
11	2	23871-030000	PLUG, R03	1							
11-1	2	23871-030000	PLUG, R03	2							K
		(A=E04248)									
12	1	129100-42020	GASKET, WATER PUMP	1							G
13	1	129103-49301	ELBOW, PT1/4	1							
14	1	26106-080602	BOLT, M8X 60 PLATED	3							
15	1	124732-42290	V-BELT, AX37	1							
15-1	1	25132-003700	V-BELT, A37	1							R
		(A=E04028)									
15-2	1	25132-003800	V-BELT, A38	1							N
		(A=E04248)									
16	1	129403-42380	V-PULLEY, D=110	1							
17	1	129403-44740	FAN, COOLING 370	1							
18	1	171353-44760	SPACER, FAN	1							
19	1	26106-060352	BOLT, M6X 35 PLATED	4							
20	1	129350-49530	COVER, THERMOSTAT	1							
20-1	1	129350-49560	COVER, THERMOSTAT	1							F 1
		(A=E04248)									
21	1	129795-49551	GASKET	1							G
22	1	129155-49800	THERMOSTAT, 71	1							
23	1	171375-49800	CASE ASSY,THERMOSTAT	1							Z
		(A=E04248)									
24	2	124770-11770	JOINT, PIPE PT1/8	1							Z
		(A=E04248)									
26	2	129100-49820	GASKET	1							Z
		(A=E04248)									
27	2	129100-49830	COVER, THERMOSTAT	1							Z
		(A=E04248)									
28	2	26116-060162	BOLT, M6X 16 PLATED	2							Z
		(A=E04248)									
29	1	129150-49811	GASKET, THERMOSTAT	1							G
30	1	129100-49840	GASKET	1							G
31	1	26106-080202	BOLT, M8X 20 PLATED	2							
32	1	26106-080252	BOLT, M8X 25 PLATED	1							Z
		(A=E04248)									
33	1	26106-080502	BOLT, M8X 50 PLATED	1							Z
		(A=E04248)									
34	1	26106-080602	BOLT, M8X 60 PLATED	1							Z
		(A=E04248)									
35	1	121750-49110	JOINT	1							
36	1	129122-44480	JOINT	1							
37	1	129403-49031	PIPE, WATER	1							
38	1	129403-49050	PIPE, WATER	1							
39	1	23000-022000	CLAMP, 22	4							
40	1	129100-49050	PIPE, WATER	1							
40-1	1	129132-49050	PIPE, WATER	1							R

Remarks

(G) These parts are sold by Fig.21 Ref.No.1.

(1) Interchangeable by simultaneous replacement with Ref.No.1-1, 20-1 and Fig.18 Ref.No.7-1.

Fig.12. COOLING WATER SYSTEM



(A)=4TN84TL-RMCD

(B)=

(C)=

(D)=

(E)=

(F)=

No.	Lev.	Parts No.	Description	Q'ty						I	R
				(A)	(B)	(C)	(D)	(E)	(F)		
		(A=E02565)									
41	1	23000-016000	CLAMP, 16	2							Z
		(A=E04248)									
42	1	121250-44901	SWITCH, 110	1							
43	1	171375-44900	SWITCH, 15	1							
44	1	171375-44910	SENSOR	1							
45	1	124465-44950	GASKET, 16	2							
46	1	171430-44500	RADIATOR	1							
47	2	123682-44210	CAP, RADIATOR	1							
47A	2	171430-44560	SHROUD	1							W
		(A=E03421)									
48	1	129411-44560	PROTECTOR, FAN	1							
49	1	171440-49010	PIPE, WATER	1							
50	1	171420-49020	PIPE, WATER	1							
50-1	1	129608-49020	PIPE, WATER	1							N
		(A=E04248)									
51	1	23010-038000	CLAMP, 38	4							
52	1	26013-080142	BOLT, M8X 14	3							
52-1	1	26013-080142	BOLT, M8X 14	4							K
		(A=E03421)									
53	1	26366-080002	NUT, M8	3							
53-1	1	26366-080002	NUT, M8	4							K
		(A=E03421)									
54	1	129001-42040	JOINT	1							W
		(A=E04248)									
55	1	24321-000300	O-RING, 1AG30.0	1							W
		(A=E04248)									
56	1	26106-080162	BOLT, M8X 16 PLATED	3							W
		(A=E04248)									

Remarks

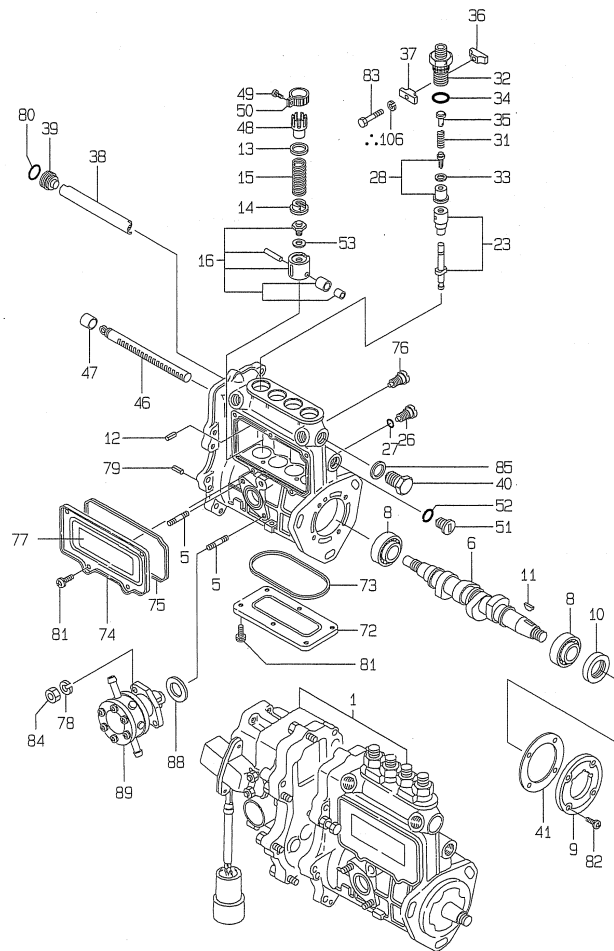
(G) These parts are sold by Fig.21 Ref.No.1.

(1) Interchangeable by simultaneous replacement with Ref.No.1-1, 20-1 and Fig.18 Ref.No.7-1.

# Fig.13. FUEL INJECTION PUMP

Y00D4660  
4TNB4TL-RMCD

発行No. 000Y00D4660-1  
更新年月: 1998. 7  
REVISED: July, 1998



今回、印部品を追加しました。  
∴ MARKED PART IS NEWLY ADDED.

**Remarks**

(1) GOVERNOR ASSY(FIG.NO.14)IS INCORPORATED IN THIS FUEL INJECTION PUMP ASSY(REF.NO.1). (G) THESE PARTS ARE SOLD BY FIG.21, REF.NO.1.

(A)=4TN84TL-RMCD

(B)=

(C)=

(D)=

(E)=

(F)=

No.	Lev.	Parts No.	Description	Q'ty						I	R
				(A)	(B)	(C)	(D)	(E)	(F)		
1	1	729412-51250	PUMP ASSY, INJECTION	1							1
5	2	129155-51020	STUD	2							
6	2	129470-51040	CAMSHAFT	1							
8	2	122710-51050	BEARING, HR30203J	2							
9	2	129470-51060	RETAINER, BEARING	1							
10	2	129470-51080	SEAL, AF0741F0	1							
11	2	122710-51090	KEY	1							
12	2	129155-51140	PIN	4							
13	2	174307-51170	RETAINER, SPRING A	4							
14	2	129155-51180	RETAINER, SPRING	4							
15	2	124950-51190	SPRING, PLUNGER	4							
16	2	129155-51200	TAPPET ASSY	4							
23	2	129403-51200	PLUNGER ASSY	4							
26	2	129155-51270	STOPPER, TAPPET	4							
27	2	129155-51280	O-RING, S6	4							
28	2	129100-51300	VALVE ASSY, DELIVERY	4							
31	2	129155-51320	SPRING, DELIVERY	4							
32	2	129155-51340	RETAINER	4							
33	2	124550-51350	GASKET, DELIVERY	4							
34	2	124550-51370	O-RING	4							
35	2	129155-51370	STOPPER, VALVE	4							
36	2	129155-51380	STOPPER	2							
37	2	129155-51390	STOPPER	2							
38	2	129555-51400	DEFLECTOR	1							
39	2	129155-51410	BOLT	1							
40	2	129155-51420	PLUG, M16	1							
41	2	129155-51450	SHIM SET, ADJUSTING	1							
46	2	129555-51500	RACK, CONTROL	1							
47	2	129155-51521	BUSH, RACK	1							
48	2	129155-51550	PINION, CONTROL	4							
49	2	122117-51560	SCREW	4							
50	2	174307-51560	PINION	4							
51	2	129155-51570	PLUG, M12	1							
52	2	129155-51580	O-RING	1							
53	2	129155-51600	SHIM SET, ADJUSTING	4							
72	2	129555-51700	COVER	1							
73	2	129555-51710	GASKET	1							
74	2	129555-51750	COVER	1							
75	2	129555-51760	GASKET	1							
76	2	129155-51790	STOOPER, RACK	1							
77	2	129156-51910	LABEL, CAUTION	1							
78	2	22217-060000	WASHER, SPRING 6	2							
79	2	22351-050010	PIN, SPRING 5.0X10	2							
80	2	24341-000160	O-RING, 1AS16.0	1							
81	2	26022-050102	SCREW, M5X10	11							
82	2	26022-060162	SCREW, M6X16	4							
83	2	26116-050302	BOLT, M5X 30 PLATED	2							
84	2	26716-060002	NUT, M6	2							
85	2	43400-500490	SEAL WASHER 16S	1							
85-1	2	22190-160002	WASHER, SEAL 16	1							N

(A=E02565)

# Fig.13. FUEL INJECTION PUMP

(A)=4TN84TL-RMCD

(B)=

(C)=

(D)=

(E)=

(F)=

Q'ty

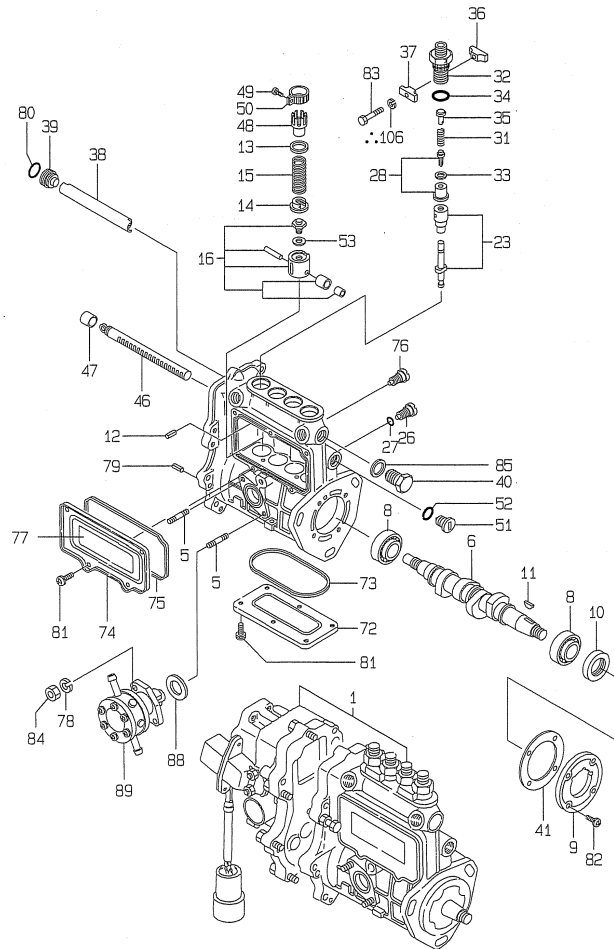
I R

No.	Lev.	Parts No.	Description	(A)	(B)	(C)	(D)	(E)	(F)	I	R
88	2	129155-52050	GASKET	1							G
89	2	129100-52100	PUMP ASSY, FUEL FEED	1							
106	2	22217-050000	WASHER, SPRING 5	2							W

(A=EXXX)

Y00D4660  
4TN84TL-RMCD

発行No. 000Y00D4660-1  
更新年月 : 1996. 7  
REVISED : July, 1996



今回、印部品を追加しました。  
.: MARKED PART IS NEWLY ADDED.

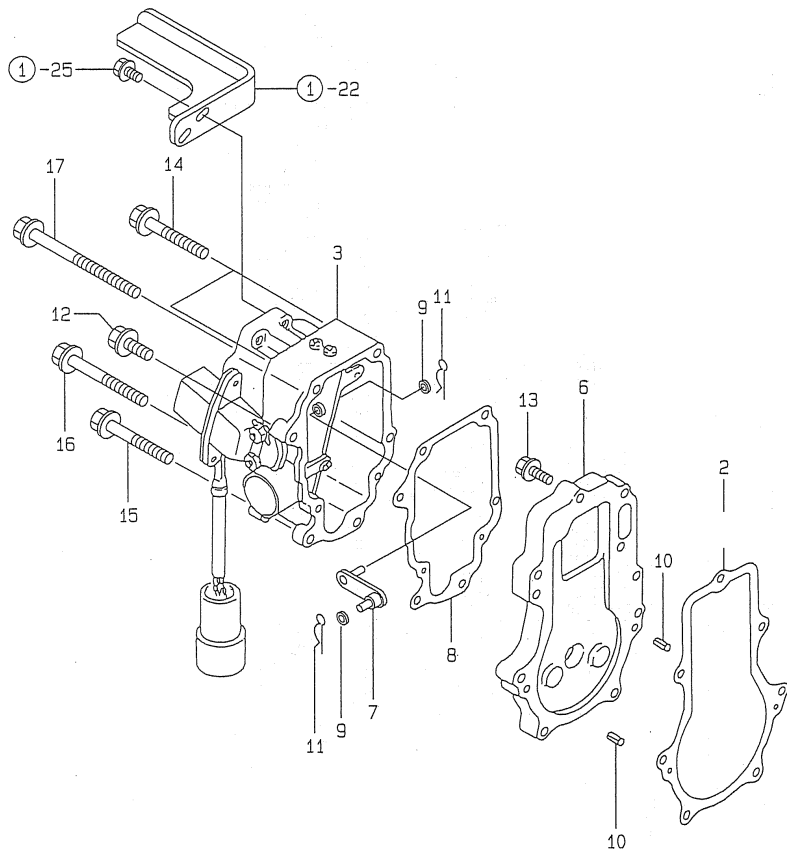
Remarks

(1) GOVERNOR ASSY(FIG.NO.14)IS INCORPORATED IN THIS FUEL INJECTION PUMP ASSY(REF.NO.1).  
(G) THESE PARTS ARE SOLD BY FIG.21, REF.NO.1.

# Fig.14. GOVERNOR

Y00D4660  
4TNB4TL-RMCD

729412-51250



(A)=4TN84TL-RMCD  
(B)=  
(C)=

(D)=  
(E)=  
(F)=

No.	Lev.	Parts No.	Description	Q'ty						I	R
				(A)	(B)	(C)	(D)	(E)	(F)		
2	1	129116-61051	GASKET	1							
3	1	119649-61100	ACTUATOR	1							
3-1	1	129611-61100	ACTUATOR	1							N
(A=*1996.07)											
6	1	129116-61110	SPACER	1							
7	1	129116-61120	LINK	1							
8	1	119649-61151	GASKET	1							
9	1	22117-040000	WASHER, 4	2							
10	1	22351-040010	PIN, SPRING 4.0X10	2							
11	1	22360-050000	SNAP PIN 5	2							
12	1	26106-060202	BOLT, M6X 20 PLATED	1							
13	1	26106-060222	BOLT, M6X 22 PLATED	7							
14	1	26106-060452	BOLT, M6X 45 PLATED	2							
15	1	26106-060602	BOLT, M6X 60 PLATED	1							
16	1	26106-060702	BOLT, M6X 70 PLATED	1							
17	1	26106-060852	BOLT, M6X 85 PLATED	1							

Fig.15. FUEL INJECTION VALVE

(A)=4TN84TL-RMCD

(B)=

(C)=

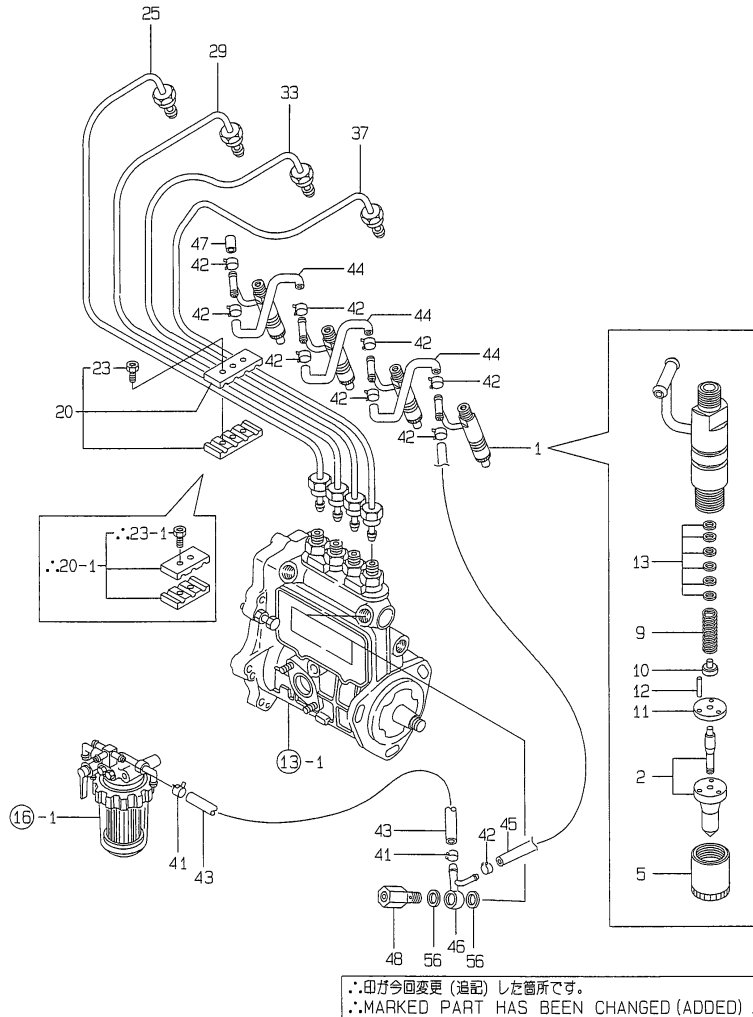
(D)=

(E)=

(F)=

Y00D4660  
4TN84TL-RMCD

発行No.000Y00D4660-1  
更新年月:1996.7  
REVISED:July,1996



No.	Lev.	Parts No.	Description	Q'ty						I	R
				(A)	(B)	(C)	(D)	(E)	(F)		
1	1	729103-53200	VALVE ASSY,INJECTION	4							
2	2	129103-53050	VALVE ASSY,INJECTION	4							
5	2	114250-53080	NUT, NOZZLE D16.95	4							
9	2	114250-53120	SPRING, NOZZLE	4							
10	2	114250-53130	SEAT, SPRING	4							
11	2	114250-53140	PLATE	4							
12	2	114250-53210	PIN	8							
13	2	114250-53400	SHIM SET	4							
20	1	129550-59120	RETAINER, PIPE	1							
20-1	1	129150-59120	RETAINER, PIPE	2							N
(A=FROM 1ST)											
23	2	129150-59130	BOLT, M4X12	2							
23-1	2	129150-59131	BOLT, M4X14	4							N
(A=FROM 1ST)											
25	1	129400-59810	PIPE ASSY, INJECTION	1							
29	1	129400-59820	PIPE ASSY, INJECTION	1							
33	1	129400-59830	PIPE ASSY, INJECTION	1							
37	1	129400-59840	PIPE ASSY, INJECTION	1							
41	1	124766-59050	CLIP, HOSE 12	2							
42	1	124066-59100	CLIP, HOSE 8	9							
43	1	105025-59530	PIPE, FUEL D13X400	1							
44	1	121250-59550	PIPE, FUEL D8X120	3							
45	1	119840-59560	PIPE, FUEL RETURN	1							
46	1	119840-59570	JOINT	1							
47	1	129150-59580	CAP	1							
48	1	129100-59951	VALVE ASSY, CHECK	1							
56	1	23414-120000	GASKET, 12X1.0	2							G

Remarks  
(G) THESE PARTS ARE SOLD BY FIG.21,  
REF.NO.1.

# Fig.16. FUEL LINE

(A)=4TN84TL-RMCD

(B)=

(C)=

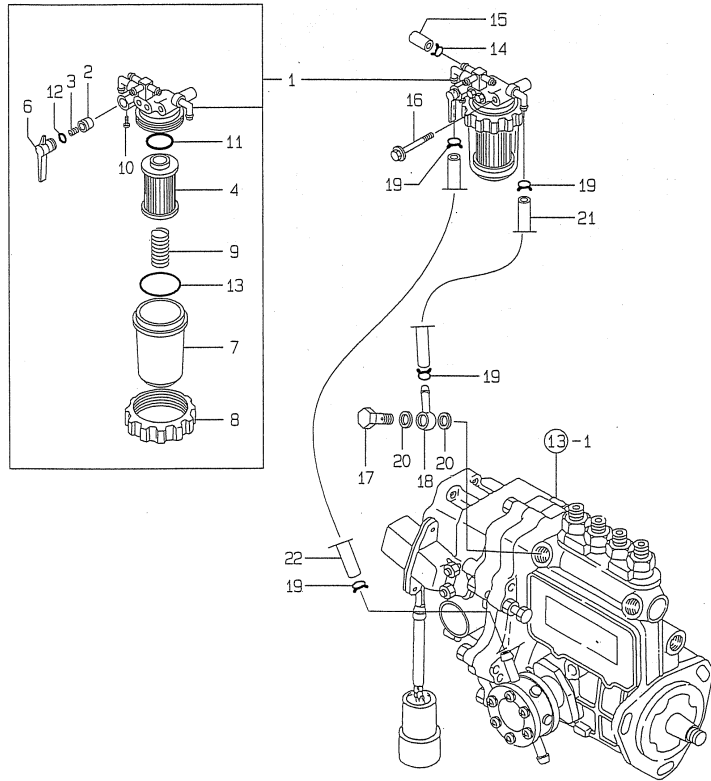
(D)=

(E)=

(F)=

Y00D4660  
4TN84TL-RMCD

D29100-55112  
D29400-59211

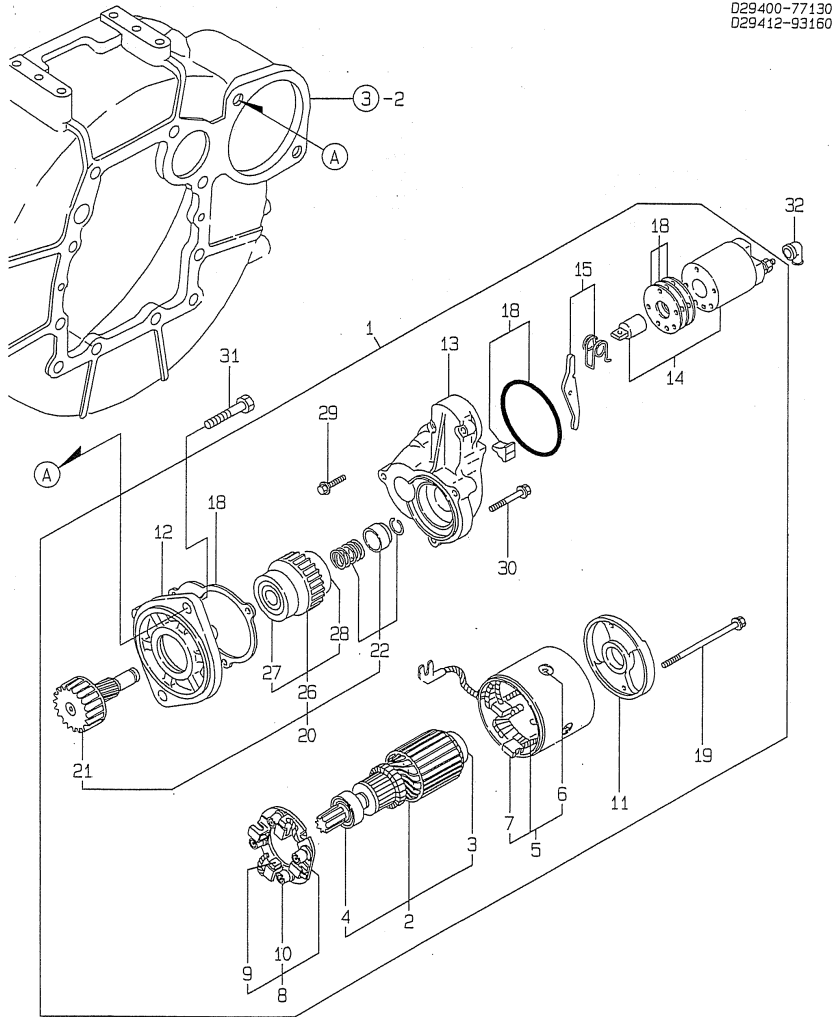


No.	Lev.	Parts No.	Description	Q'ty						I	R
				(A)	(B)	(C)	(D)	(E)	(F)		
1	1	129100-55621	FILTER ASSY, FUEL	1							
2	2	104200-55321	VALVE, TAPER	1							
3	2	104200-55330	SPRING, VALVE	1							
4	2	129100-55650	ELEMENT	1							
6	2	129100-55670	LEVER	1							
7	2	129100-55680	CUP, STRAINER	1							
8	2	129100-55690	RING, RETAINING	1							
9	2	129100-55700	SPRING	1							
10	2	104200-55750	SCREW, M4	1							
11	2	24311-000160	O-RING, 1AP16.0	1							
12	2	24311-240100	O-RING, 1AP10A	1							
13	2	24321-000650	O-RING, 1AG65.0	1							
14	1	124066-59100	CLIP, HOSE 8	1							
15	1	129150-59580	CAP	1							
16	1	26014-080702	BOLT, M8X 70	1							
17	1	103854-39140	BOLT, PIPE JOINT	1							
18	1	101304-59020	JOINT, PIPE 12	1							
19	1	124766-59050	CLIP, HOSE 12	4							
20	1	104200-59170	GASKET, 12	2							G
20-1	1	22190-120002	WASHER, SEAL 12	2							N G
(A=E04241)											
21	1	129555-59510	PIPE, D13/7.5X180	1							
22	1	105025-59530	PIPE, FUEL D13X400	1							

Remarks  
(G) THESE PARTS ARE SOLD BY FIG.21,  
REF.NO.1.

Fig.17. STARTING MOTOR

Y00D4660  
47NB4TL-RMCD



D29400-77130  
D29412-93160

(A)=4TN84TL-RMCD

(B)=

(C)=

(D)=

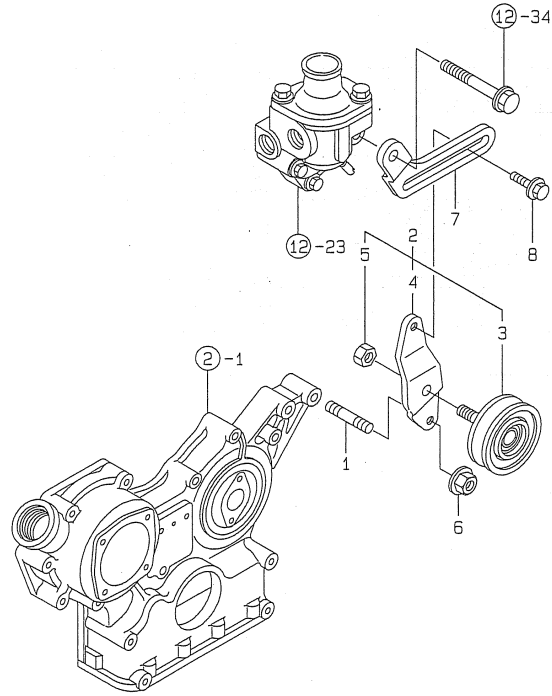
(E)=

(F)=

No.	Lev.	Parts No.	Description	Q'ty						I	R
				(A)	(B)	(C)	(D)	(E)	(F)		
1	1	129400-77011	STARTER, S13-94A	1							
2	2	129400-77400	ARMATURE ASSY	1							
3	3	171008-77410	BEARING(1)	1							
4	3	171008-77420	BEARING(2)	1							
5	2	129400-77440	COIL ASSY, FIELD	1							
6	3	171008-77450	SCREW	4							
7	3	129400-77460	BRUSH (+)	2							
8	2	129400-77470	HOLDER ASSY, BRUSH	1							
9	3	129400-77480	BRUSH (-)	2							
10	3	129400-77490	SPRING, BRUSH	4							
11	2	129400-77510	COVER, REAR	1							
12	2	171008-77510	HOUSING ASSY, GEAR	1							
13	2	129400-77520	HOUSING, CENTER	1							
14	2	129400-77530	SWITCH ASSY,MAGNETIC	1							
15	2	171008-77540	LEVER SET, SHIFT	1							
18	2	129400-77570	COVER KIT, DUST	1							
19	2	129400-77640	BOLT, THROUGH	2							
20	2	171008-77650	PINION ASSY	1							
21	3	171008-77660	SHAFT, PINION	1							
22	3	171008-77670	STOPPER SET, PINION	1							
26	3	171008-77720	CLUTCH ASSY	1							
27	4	171008-77730	BALL BEARING (3)	1							
28	4	171008-77740	BALL BEARING (4)	1							
29	2	26106-060322	BOLT, M6X 32 PLATED	2							
30	2	26106-060402	BOLT, M6X 40 PLATED	3							
31	1	26116-120252	BOLT, M12X 25 PLATED	2							
32	1	124550-77030	COVER, TERMINAL	1							



Fig.18. TENSION PULLEY



(A)=4TN84TL-RMCD  
(B)=  
(C)=

(D)=  
(E)=  
(F)=

No.	Lev.	Parts No.	Description	Q'ty						I	R
				(A)	(B)	(C)	(D)	(E)	(F)		
1	1	121450-01570	STUD	1							
2	1	171375-44300	PULLEY ASSY, TENSION	1							
3	2	171011-44301	PULLEY, TENSION	1							
4	2	171375-44320	BRACKET, PULLEY	1							
5	2	26706-100002	NUT, M10	1							
6	1	26366-100002	NUT, M10	1							
7	1	129400-77330	ADJUSTER	1							
7-1	1	129410-77330	ADJUSTER	1						F	1
		(A=E04248)									
8	1	26014-080252	BOLT, M8X 25	1							

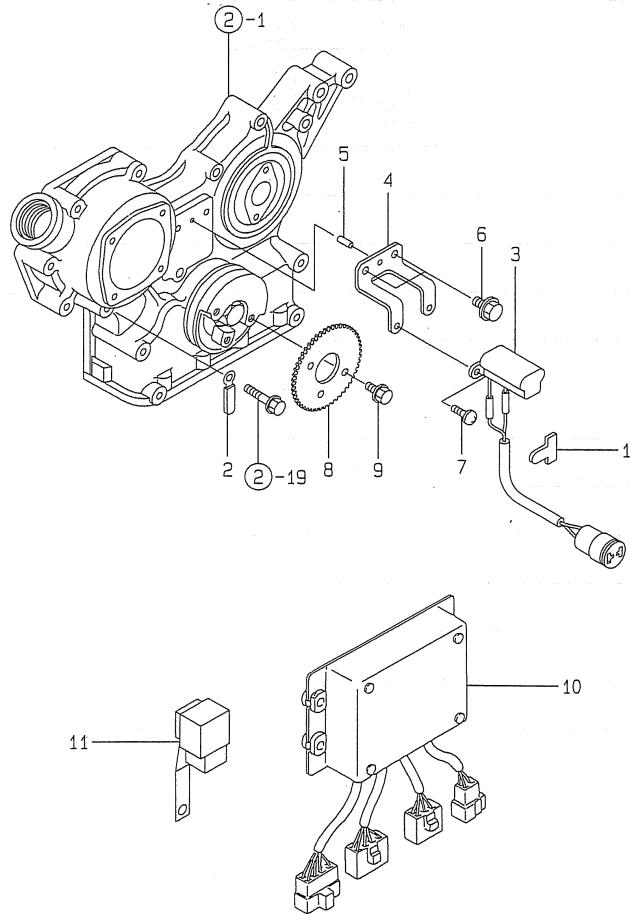
Remarks

(1)Interchangeable by simultaneous replacement with Fig.12 Ref.No.1-1, 20-1.

# Fig.19. PULSER

Y00D4660  
4TN84TL-RMCD

029116-78500  
029416-78600  
029117-78800



(A)=4TN84TL-RMCD  
(B)=  
(C)=

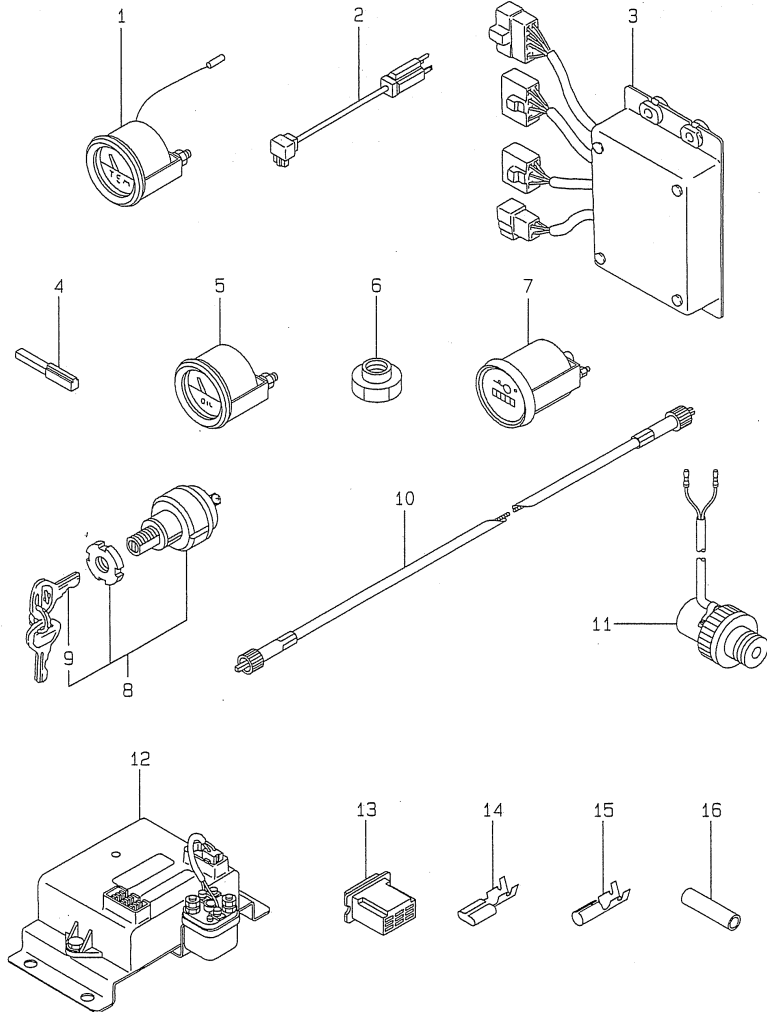
(D)=  
(E)=  
(F)=

No.	Lev.	Parts No.	Description	Q'ty						I	R
				(A)	(B)	(C)	(D)	(E)	(F)		
1	1	172010-08160	STICKER, WIRE	1							
2	1	194180-51640	CLAMP, HARNESS	1							
3	1	119649-78500	PULSAR	1							
4	1	129116-78510	BRACKET, PULSAR	1							
5	1	22351-040010	PIN, SPRING 4.0X10	1							
6	1	26116-060122	BOLT, M6X 12 PLATED	2							
7	1	26557-040082	SCREW, M4X 8	2							
8	1	119649-78650	GEAR, PULSAR	1							
9	1	26106-100142	BOLT, M10X 14 PLATED	2							
10	1	129117-78800	CONTROLLER, MAIN 2P	1							
10-1	1	129117-78801	CONTROLLER, MAIN 2P	1							N
		(A=E03124)									
11	1	119649-78850	RELAY, POWER	1							Z
		(A=E03124)									

Fig.20. ELECTRICAL PARTS

Y00D4660  
4TNB4TL-RMCD

029412-93160



(A)=4TN84TL-RMCD

(B)=

(C)=

(D)=

(E)=

(F)=

No.	Lev.	Parts No.	Description	Q'ty						I	R
				(A)	(B)	(C)	(D)	(E)	(F)		
1	1	171010-77850	THERMOSTAT	2							
2	1	171015-77910	CORD, HEATER	1							
3	1	129117-78810	CONTROLLER, SUB	1							
4	1	171011-91011	PIN	1							
5	1	171090-91010	GAUGE	1							
6	1	171011-91020	JOINT	1							
7	1	171014-91101	TACHOMETER	1							
8	1	121400-91251	SWITCH, STARTER	1							
9	2	121400-91271	KEY, SWITCH	2							
10	1	41690-501360	CABLE, TACHOMETER	1							
11	1	46111-800300	TRANSMITTER	1							
12	1	46120-800500	RELAY, SPEED	1							
13	1	46150-803610	COUPLER	1							
14	1	46150-803620	TERMINAL	8							
15	1	46150-803670	TERMINAL	2							
16	1	46150-803680	SLEEVE	2							

Fig.21. GASKET SET

(A)=4TN84TL-RMCD

(B)=

(C)=

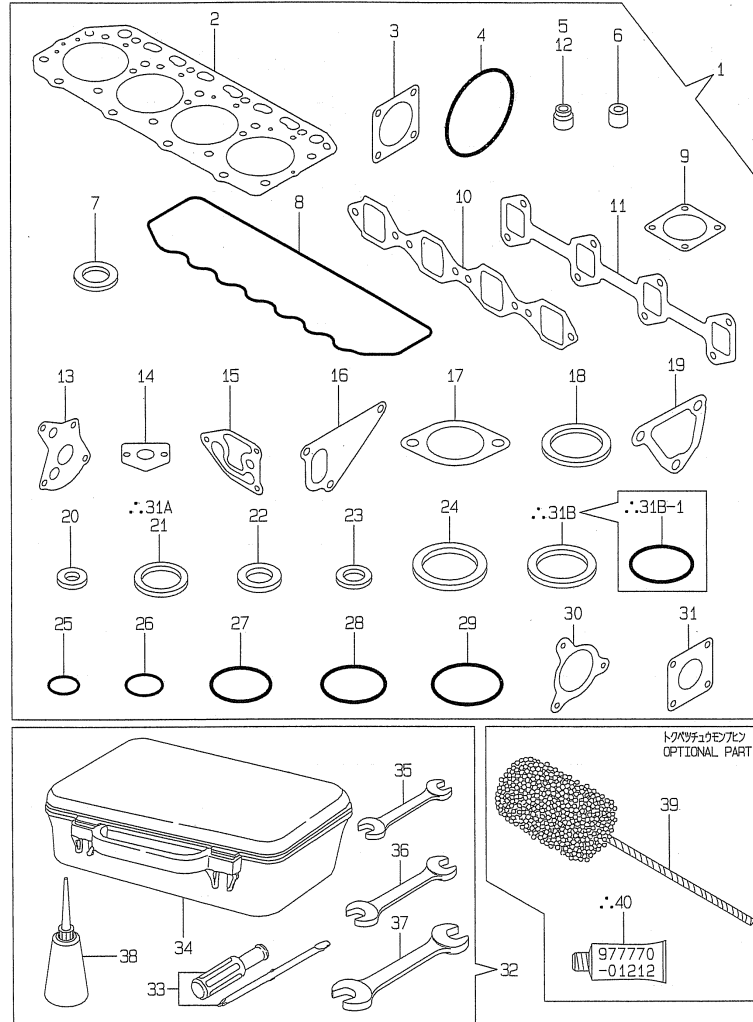
(D)=

(E)=

(F)=

Y00D4660  
4TN84TL-RMCD

発行No. 000Y00D4660-1  
発行年月 : 1996. 7  
REVISED : July, 1996



..印が今回変更 (追加) した箇所です。  
..MARKED PART HAS BEEN CHANGED (ADDED).

No.	Lev.	Parts No.	Description	Q'ty						I	R
				(A)	(B)	(C)	(D)	(E)	(F)		
1	1	729419-92601	GASKET SET	1							1
1-1	1	729419-92603	GASKET SET	1							N 1
(A=EXXX)											
2	2	129405-01330	GASKET, HEAD	1							
3	2	124240-01883	GASKET	1							
4	2	121850-51960	O-RING	1							
5	2	124460-11340	SEAL, VALVE STEM	4							
6	2	119625-11870	PROTECTOR, NOZZLE	4							
6-1	2	119625-11871	PROTECTOR, NOZZLE	4							R
(A=E03173)											
7	2	119625-11880	SEAT, NOZZLE	4							
8	2	129550-11310	GASKET, BONNET	1							
9	2	129150-77511	GASKET	1							
10	2	129550-12111	GASKET, MANIFOLD	1							
11	2	129550-13110	GASKET	1							
12	2	121400-11340	SEAL, VALVE STEM	4							
13	2	129150-32020	GASKET, PUMP	1							
14	2	129150-35041	GASKET	1							
15	2	129103-35122	GASKET	1							
16	2	129100-42020	GASKET, WATER PUMP	1							
17	2	129795-49551	GASKET	1							
18	2	129150-49811	GASKET, THERMOSTAT	1							
19	2	129100-49840	GASKET	1							
20	2	129155-52050	GASKET	1							
21	2	104200-59170	GASKET, 12	4							
21-1	2	22190-120002	WASHER, SEAL 12	2							N
(A=E04241)											
22	2	43400-500410	SEAL WASHER 8S	7							
22-1	2	22190-080002	WASHER, SEAL 6	7							N
(A=E02565)											
23	2	23414-100000	GASKET, 10X1.0	4							
24	2	23414-170000	GASKET, 17X1.0	1							
25	2	24311-000120	O-RING, 1AP12.0	3							
26	2	24311-000160	O-RING, 1AP16.0	3							
27	2	24311-000320	O-RING, 1AP32.0	2							
28	2	24341-000240	O-RING, 1AS24.0	2							
28-1	2	24341-000240	O-RING, 1AS24.0	1							K
(A=E03124)											
29	2	24341-000500	O-RING, 1AS50.0	1							
30	2	129472-18090	GASKET	1							
31	2	129792-13520	GASKET	1							
31-1	2	129792-13521	GASKET	1							R
(A=E02565)											
31A	2	23414-120000	GASKET, 12X1.0	2							W
(A=FROM 1ST)											
31B	2	22190-220002	WASHER, SEAL 22	1							W
(A=E03124)											
31B-1	2	24341-000250	O-RING, 1AS25.0	1							N
(A=E03398)											
32	1	171001-93100	BOX, TOOL	1							
33	2	104200-92350	DRIVER, SCREW	1							

Remarks  
(1) OPTIONAL PART.

Fig.21. GASKET SET

(A)=4TN84TL-RMCD

(B)=

(C)=

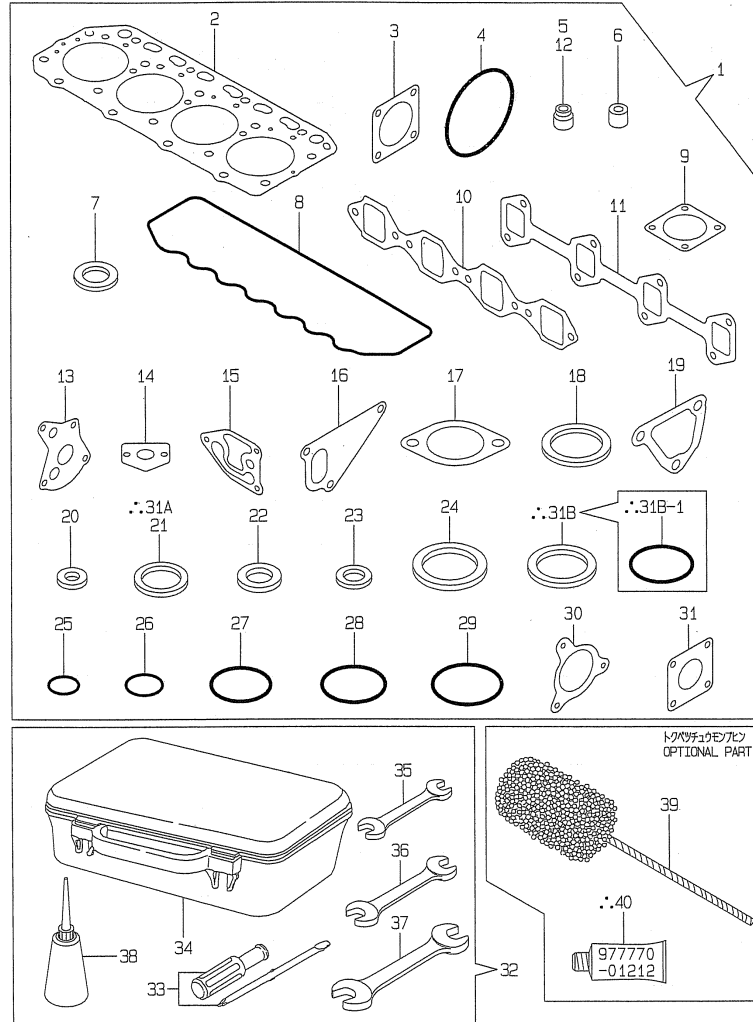
(D)=

(E)=

(F)=

Y00D4660  
4TNB4TL-RMCD

発行No. 000Y00D4660-1  
発行年月 : 1996. 7  
REVISED : July, 1996



.:印が今回変更 (追加) しを箇所です。  
.:MARKED PART HAS BEEN CHANGED (ADDED) .

No.	Lev.	Parts No.	Description	Q'ty						I	R
				(A)	(B)	(C)	(D)	(E)	(F)		
34	2	104200-92600	BOX, TOOL	1							
35	2	28110-100120	SPANNER, 10X12	1							
36	2	28110-140170	SPANNER, 14X17	1							
37	2	28110-190220	SPANNER, 19X22	1							
38	2	28210-000140	OILER	1							
39	1	129400-92420	FLEX HORN	1							1
40	1	977770-01212	GASKET, LIQUID	1							W 1
			(A=FROM 1ST)								

Remarks  
(1) OPTIONAL PART.

## Parts No. Index

Parts No.	Fig. No.	Ref. No.
101304-59020	16	18
103338-11190	4	27
103854-39140	16	17
104200-55321	16	2
104200-55330	16	3
104200-55750	16	10
104200-59170	16	20
	21	21
104200-92350	21	33
104200-92600	21	34
105025-59530	15	43
	16	22
114250-53080	15	5
114250-53120	15	9
114250-53130	15	10
114250-53140	15	11
114250-53210	15	12
114250-53400	15	13
119620-01750	3	3
119625-11870	4	46
	21	6
119625-11871	4	46 -1
	21	6 -1
119625-11880	4	47
	21	7
119625-11900	4	48
119640-01640	3	9 -1
119649-61100	14	3
119649-61151	14	8
119649-78500	19	3
119649-78650	19	8
119649-78850	19	11
119840-59560	15	45
119840-59570	15	46
119865-21600	9	16
120130-11860	4	15
121100-22400	9	24
121111-21501	9	12
121250-44901	12	42
121250-59550	15	44
121252-39150	11	2
121400-11340	4	28
	21	12
121400-91251	20	8
121400-91271	20	9
121450-01560	2	6
121450-01570	18	1
121520-34810	10	23
121550-23200	9	30
121750-49110	12	35

Parts No.	Fig. No.	Ref. No.
121850-11860	4	18
121850-21680	9	11
121850-35200	10	33
121850-35520	10	38
121850-35531	10	39
121850-51960	2	12
	21	4
122117-51560	13	49
122710-51050	13	8
122710-51090	13	11
123682-44210	12	47
124066-59100	15	42
	16	14
124070-13300	11	17
124160-01751	2	7
	4	52
124160-01910	1	4
		5
124160-11360	4	62
124160-39140	11	1
124160-39450	11	3
124223-35510	10	37
124240-01871	2	8
124240-01883	2	9
	21	3
124250-49351	10	44
124460-11340	4	29
	21	5
124465-44950	12	45
124550-51350	13	33
124550-51370	13	34
124550-59820	11	13
124550-77030	17	32
124732-42290	12	15
124736-07900	4	5
124766-59050	15	41
	16	19
124770-11770	12	24
124950-51190	13	15
129001-42001	12	1 -1
129001-42002	12	1 -2
129001-42040	12	54
129100-01580	3	1
		17
	9	2
129100-01640	3	18
129100-01790	3	11
129100-11100	4	23
129100-11130	4	25
129100-23910	9	29

Parts No.	Fig. No.	Ref. No.
129100-25061	7	9
129100-35140	10	32
129100-42002	12	1
129100-42020	12	12
	21	16
129100-49050	12	40
129100-49820	12	26
129100-49830	12	27
129100-49840	12	30
	21	19
129100-51300	13	28
129100-52100	13	89
129100-55621	16	1
129100-55650	16	4
129100-55670	16	6
129100-55680	16	7
129100-55690	16	8
129100-55700	16	9
129100-59951	15	48
129103-33031	10	17
129103-33132	10	18
129103-35122	10	42
	21	15
129103-49301	12	13
129103-53050	15	2
129105-22970	9	41
129106-22080	9	17
129106-22920	9	39
129116-61051	14	2
129116-61110	14	6
129116-61120	14	7
129116-78510	19	4
129117-78800	19	10
129117-78801	19	10 -1
129117-78810	20	3
129120-77501	5	10
129122-44480	12	36
129132-49050	12	40 -1
129150-01200	1	20
129150-02020	1	10
129150-02450	7	4
129150-02800	1	12
129150-02870	1	26
129150-02930	1	15
129150-02940	1	29
129150-03020	4	53
129150-03070	4	54
129150-03080	4	55
129150-03090	4	1
129150-03100	2	11

Parts No.	Fig. No.	Ref. No.
129150-11230	4	41
129150-11280	4	36
129150-11370	4	30
129150-11750	4	43
129150-11810	4	17
129150-14101	7	7
129150-14200	7	1
129150-14400	7	2
129150-21200	9	5
129150-22300	9	23
129150-23600	9	31
129150-23610	9	45
129150-25101	7	10
129150-25900	7	15
129150-25920	7	13
129150-32020	10	15
	21	13
129150-35041	10	24
	21	14
129150-35150	10	43
129150-35151	10	43 -1
129150-49360	10	45
129150-49811	12	29
	21	18
129150-59120	15	20 -1
129150-59130	15	23
129150-59131	15	23 -1
129150-59580	15	47
	16	15
129150-77511	5	11
	21	9
129150-91400	2	25
129155-11260	4	34
129155-11270	4	35
129155-49800	12	22
129155-51020	13	5
129155-51140	13	12
129155-51180	13	14
129155-51200	13	16
129155-51270	13	26
129155-51280	13	27
129155-51320	13	31
129155-51340	13	32
129155-51370	13	35
129155-51380	13	36
129155-51390	13	37
129155-51410	13	39
129155-51420	13	40
129155-51450	13	41
129155-51521	13	47

## Parts No. Index

Parts No.	Fig. No.	Ref. No.
129155-51550	13	48
129155-51570	13	51
129155-51580	13	52
129155-51600	13	53
129155-51790	13	76
129155-52050	13	88
	21	20
129156-51910	13	77
129350-49530	12	20
129350-49560	12	20 -1
129400-01520	2	5
129400-01730	3	6
129400-01770	3	8
129400-11350	4	51
129400-12100	5	1
129400-59810	15	25
129400-59820	15	29
129400-59830	15	33
129400-59840	15	37
129400-77011	17	1
129400-77330	18	7
129400-77400	17	2
129400-77440	17	5
129400-77460	17	7
129400-77470	17	8
129400-77480	17	9
129400-77490	17	10
129400-77510	17	11
129400-77520	17	13
129400-77530	17	14
129400-77570	17	18
129400-77640	17	19
129400-92420	21	39
129403-12090	5	7
129403-34800	10	22
129403-39460	11	4
129403-42380	12	16
129403-44740	12	17
129403-49031	12	37
129403-49050	12	38
129403-51200	13	23
129405-01330	1	21
	21	2
129405-01331	1	21 -1
129406-13100	6	1
129406-18030	8	4
129410-77330	18	7 -1
129411-44560	12	48
129412-01980	1	22
129412-12460	5	5

Parts No.	Fig. No.	Ref. No.
129412-18290	6	7
129412-18400	6	8
129412-35101	10	30
129412-35102	10	30 -1
129418-32000	10	1 -1
129436-35090	10	25
129470-11080	4	12
129470-11090	4	13
129470-39610	11	11
129470-51040	13	6
129470-51060	13	9
129470-51080	13	10
129472-18090	8	2
	21	30
129486-01670	3	21 -1
129503-39600	11	18
129506-39610	11	19
129550-11290	4	37
129550-11310	4	58
	21	8
129550-12111	5	2
	21	10
129550-13110	6	2
	21	11
129550-59120	15	20
129553-32000	10	1
129553-39650	10	53
129555-11241	4	33
129555-51400	13	38
129555-51500	13	46
129555-51700	13	72
129555-51710	13	73
129555-51750	13	74
129555-51760	13	75
129555-59510	16	21
129608-49020	12	50 -1
129611-61100	14	3 -1
129792-13520	8	1
	21	31
129792-13521	8	1 -1
	21	31 -1
129792-39410	10	47
129795-01780	3	20
129795-01800	2	4
129795-01950	2	10
129795-02411	1	18
129795-11120	4	24
129795-11180	4	26
129795-21661	9	10
129795-49551	12	21

Parts No.	Fig. No.	Ref. No.
129795-49551	21	17
144626-91560	11	14
171001-93100	21	32
171008-77410	17	3
171008-77420	17	4
171008-77450	17	6
171008-77510	17	12
171008-77540	17	15
171008-77650	17	20
171008-77660	17	21
171008-77670	17	22
171008-77720	17	26
171008-77730	17	27
171008-77740	17	28
171010-77850	20	1
171011-44301	18	3
171011-91011	20	4
171011-91020	20	6
171014-91101	20	7
171015-77900	1	23
171015-77910	20	2
171090-91010	20	5
171301-01600	3	2
171301-01640	3	9
	9	-2
171301-21650	9	9
171353-44760	12	18
171375-39600	11	10
171375-39601	11	10 -1
171375-44300	18	2
171375-44320	18	4
171375-44900	12	43
171375-44910	12	44
171375-49800	12	23
171420-21580	9	13
171420-49020	12	50
171430-44500	12	46
171430-44560	12	47 A
171440-49010	12	49
172010-08160	19	1
174307-51170	13	13
174307-51560	13	50
194180-51640	19	2
194990-22050	6	9
	8	3
22117-040000	14	9
22190-080002	2	23 -1
		24 -1
	11	16 -1
	21	22 -1

Parts No.	Fig. No.	Ref. No.
22190-120002	16	20 -1
	21	21 -1
22190-160002	13	85 -1
22190-220002	3	12 -1
	21	31 B
22217-050000	13	106
22217-060000	13	78
22217-120000	7	16
22312-060080	10	41 A
22351-030010	10	54
22351-040010	9	8
	14	10
	19	5
22351-050010	13	79
22351-060012	4	31
22360-050000	14	11
22512-070140	7	8
	9	6
23000-016000	12	41
23000-022000	12	39
23000-025000	11	20
23000-054000	5	6
		8
23000-060000	5	9
23010-038000	12	51
23161-020100	11	12
23414-100000	11	15
	21	23
23414-120000	15	56
	21	31 A
23414-170000	6	10
	21	24
23414-180000	10	40
23871-010000	1	6
23871-020000	4	18 -1
	10	41
23871-030000	4	19
	5	3
	12	11
		11 -1
23894-030002	6	11
24311-000120	4	63
	21	25
24311-000160	2	13
	16	11
	21	26
24311-000200	10	19
24311-000210	10	20
24311-000320	2	14
	4	59

## Parts No. Index

Parts No.	Fig. No.	Ref. No.
24311-000320	21	27
24311-240100	16	12
24314-000160	11	21
24321-000300	12	55
24321-000550	10	21
24321-000650	16	13
24341-000160	13	80
24341-000240	2	27
	3	12
	21	28
		28 -1
24341-000250	3	12 -2
	21	31 B-1
24341-000500	4	60
	21	29
25132-003700	12	15 -1
25132-003800	12	15 -2
26013-080142	12	52
		52 -1
26014-080252	18	8
26014-080702	16	16
26022-050102	13	81
26022-060162	13	82
26106-060122	1	24
26106-060162	2	28
	11	22
26106-060202	14	12
26106-060222	14	13
26106-060322	17	29
26106-060352	12	19
26106-060402	17	30
26106-060452	14	14
26106-060602	14	15
26106-060702	14	16
26106-060852	14	17
26106-080122	2	15
26106-080142	1	19 -1
		25
	4	6
	6	12
26106-080162	1	19
	2	16
		17
	3	13
	4	61
	12	56
26106-080202	2	18
	12	31
26106-080252	3	14
	4	49

Parts No.	Fig. No.	Ref. No.
26106-080252	12	32
26106-080302	3	21
26106-080352	3	22
	5	4
		12
	10	29
26106-080452	2	19
	3	15
		15 -1
		15 -2
	7	14
26106-080502	3	16
		24
	4	50
	12	33
26106-080552	2	20
26106-080602	12	14
		34
26106-080652	6	3
26106-080752	10	46
26106-080852	2	21
	6	4
26106-081002	6	5
26106-100142	19	9
26116-050302	13	83
26116-060122	19	6
26116-060162	12	28
26116-120252	17	31
26206-100252	3	4
26206-100302	3	5
26216-060202	4	20
26216-080222	6	6
		13
26226-080182	4	44
26366-060002	4	32
26366-080002	2	22
	12	53
		53 -1
26366-100002	18	6
26450-060252	10	16
26557-040082	19	7
26706-100002	18	5
26716-060002	13	84
26716-120002	7	17
26756-080002	4	45
27231-500000	1	7
27241-120000	1	8
27241-200000	10	41 B
27241-220000	4	21
27241-300000	1	9

Parts No.	Fig. No.	Ref. No.
27241-400000	4	22
27310-080001	4	27 -1
28110-100120	21	35
28110-140170	21	36
28110-190220	21	37
28210-000140	21	38
41690-501360	20	10
43400-500410	2	23
		24
	11	16
	21	22
43400-500490	13	85
46111-800300	20	11
46120-800500	20	12
46150-803610	20	13
46150-803620	20	14
46150-803670	20	15
46150-803680	20	16
719810-01500	2	1
729103-53200	15	1
729105-22500	9	19
729105-22951	9	35
729106-22900	9	33
729402-11650	4	40
729402-14580	7	3
729402-23100	9	25
729405-01560	1	1
729406-21700	9	1
729411-11700	4	7
729412-51250	13	1
729419-92601	21	1
729419-92603	21	1 -1
977770-01212	2	29
	3	23
	21	40

Parts No.	Fig. No.	Ref. No.
-----------	----------	----------