

0CD10-M46200EN

PREFACE

1. This Parts Catalog is the 1st edition of 3,4TN84(T)L-RGL Diesel Engine .

Pub. No. : 000Y00D4620

Published : January, 1993

2. Model name

Engine model	Vehicle		Vehicle made by
	Products	Model name	
3,4TN84(T)L-RGL	GENERATOR	—	—

Contents

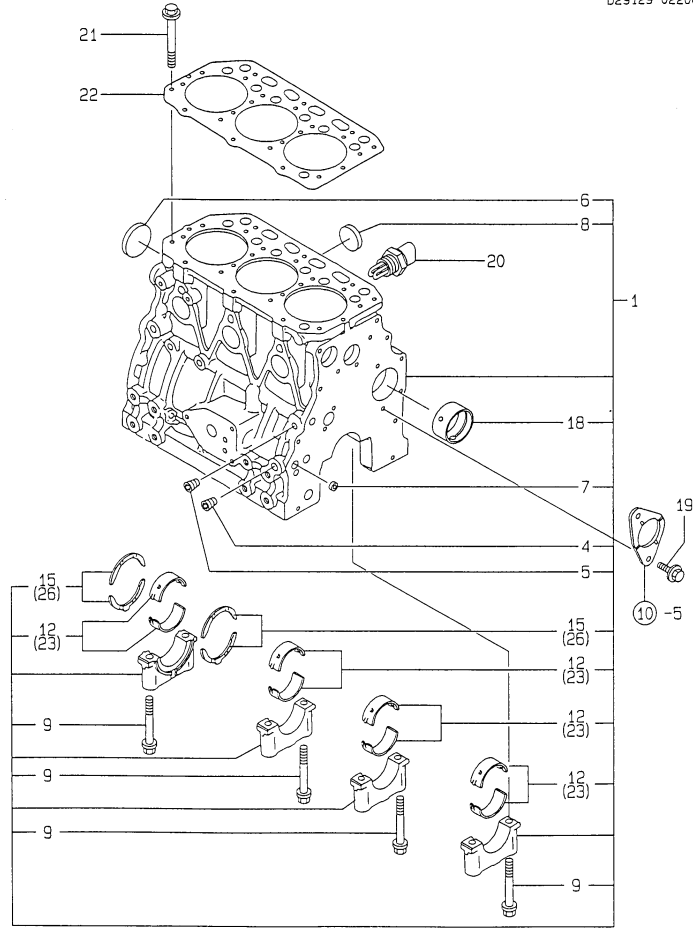
Fig. No.	Fig. Name
ENG. 3,4TN84(T)L-RGL	
1.	CYLINDER BLOCK
2.	CYLINDER BLOCK
3.	GEAR HOUSING
4.	FLYWHEEL HOUSING & OIL SUMP
5.	CYLINDER HEAD & BONNET
6.	CYLINDER HEAD & BONNET
7.	SUCTION MANIFOLD
8.	EXHAUST MANIFOLD
9.	TURBO-CHARGER
10.	CAMSHAFT & DRIVE GEAR
11.	CRANKSHAFT & PISTON
12.	LUB. OIL SYSTEM
13.	COOLING WATER SYSTEM
14.	THERMOSTAD
15.	FUEL INJECTION PUMP
16.	FUEL INJECTION PUMP
17.	GOVERNOR
18.	FUEL PIPES
19.	FUEL INJECTION VALVE
20.	FUEL INJECTION VALVE
21.	FUEL FILTER
22.	ENGINE STOPPING DEVICE
23.	STARTING MOTOR
24.	TENSION PULLEY

Fig. No.	Fig. Name
25.	ELECTRIC PARTS
26.	GASKET SET(OPTIONAL) & TOOLS

Fig.1. CYLINDER BLOCK

Y0004620
3. 4TN84 (7) L-GL

029111-01110
029150-02100
029129-02200



(A)=3TN84L-RGL
(B)=4TN84L-RGL
(C)=4TN84TL-RGL

(D)=
(E)=
(F)=

No.	Lev.	Parts No.	Description	Q'ty						I	R
				(A)	(B)	(C)	(D)	(E)	(F)		
1	1	729157-01560	BLOCK ASSY, CYLINDER	1							
4	2	124160-01910	PLUG, PT1/4	3							
5	2	23871-010000	PLUG, R01	1							
6	2	27231-500000	PLUG 50	1							
7	2	27241-120000	PLUG, 12	2							
8	2	27241-300000	PLUG 30	6							
9	2	129150-02020	BOLT, METAL CAP	8							
12	2	129150-02800	BEARING, MAIN	4							
15	2	129150-02930	BEARING, THRUST	2							
18	2	129795-02411	BUSH, CAMSHAFT	1							
19	1	26106-080162	BOLT, M8X 16 PLATED	2							
20	1	46150-504600	HEATER	1							
20-1	1	124097-77900	HEATER, COOLING WATER	1							N
			(A=*2001.09.)								
21	1	129150-01200	BOLT, HEAD	14							
22	1	129157-01332	GASKET, HEAD	1							\$
23	1	129150-02870	BEARING, 0.25 US	4							1
26	1	129150-02940	BEARING, THRUST 0.25	2							2

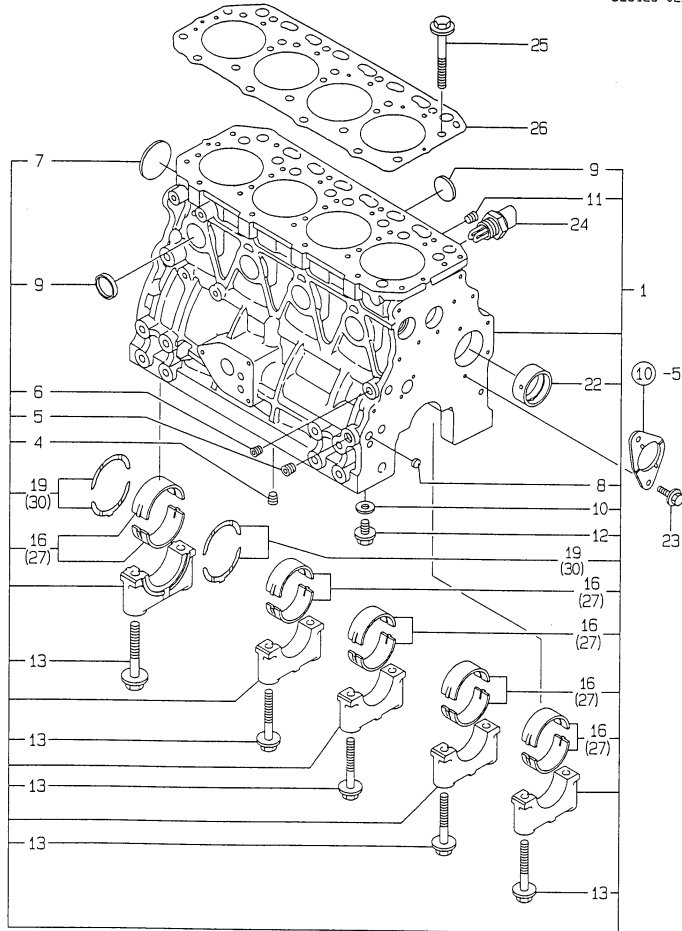
Remarks

- (1) UNDER-SIZE(U.S=0.25)PART.
- (2) OVER-SIZE(O.S=0.25)PART.
- (3) THESE PARTS ARE SOLD BY FIG.26, REF.NO.1.

Fig.2. CYLINDER BLOCK

Y00D4620
3. 4TN64 (T) L-GL

029411-01120
029100-01820
029400-01820
029550-02100
029129-02200



(A)=3TN84L-RGL
(B)=4TN84L-RGL
(C)=4TN84TL-RGL

(D)=
(E)=
(F)=

No.	Lev.	Parts No.	Description	Qty						I	R	
				(A)	(B)	(C)	(D)	(E)	(F)			
1	1	729405-01560	BLOCK ASSY, CYLINDER		1	1						
4	2	124160-01910	PLUG, PT1/4		1	1						
5	2	124160-01910	PLUG, PT1/4		2	2						
6	2	23871-010000	PLUG, R01		1	1						
7	2	27231-500000	PLUG 50		1	1						
8	2	27241-120000	PLUG, 12		2	2						
9	2	27241-300000	PLUG 30		8	8						
10	2	23414-080000	GASKET, 8X1.0		4	4						
11	2	23871-030000	PLUG, R03		1							
12	2	26106-080122	BOLT, M8X 12 PLATED		4	4						
13	2	129150-02020	BOLT, METAL CAP		10	10						
16	2	129150-02800	BEARING, MAIN		5	5						
19	2	129150-02930	BEARING, THRUST		2	2						
22	2	129795-02411	BUSH, CAMSHAFT		1	1						
23	1	26106-080162	BOLT, M8X 16 PLATED		2	2						
24	1	46150-504600	HEATER		1	1						
24-1	1	124097-77900	HEATER, COOLING WATER		1	1					N	
			(B=*2001.09.) (C=*2001.09.)									
25	1	129150-01200	BOLT, HEAD		18	18						
26	1	129405-01330	GASKET, HEAD		1	1						\$
27	1	129150-02870	BEARING, 0.25 US		5	5						1
30	1	129150-02940	BEARING, THRUST 0.25		2	2						2

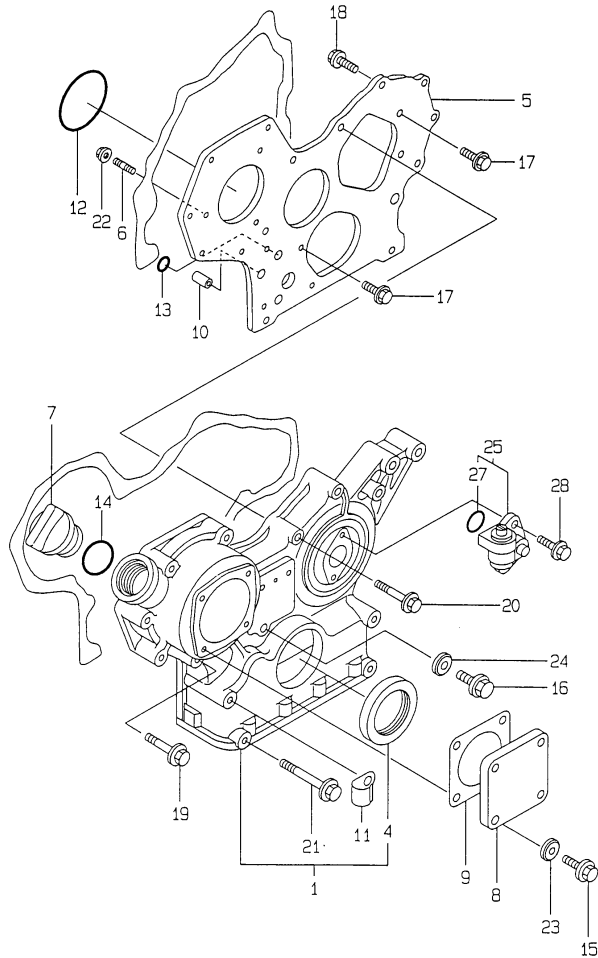
Remarks

- (1) UNDER-SIZE (U.S=0.25) PART.
- (2) OVER-SIZE (O.S=0.25) PART.
- (3) THESE PARTS ARE SOLD BY FIG.26, REF.NO.1.

Fig.3. GEAR HOUSING

Y00D4620
3. 4TN84 (T) L-GL

D29400-01220
D29150-91100



(A)=3TN84L-RGL
(B)=4TN84L-RGL
(C)=4TN84TL-RGL

(D)=
(E)=
(F)=

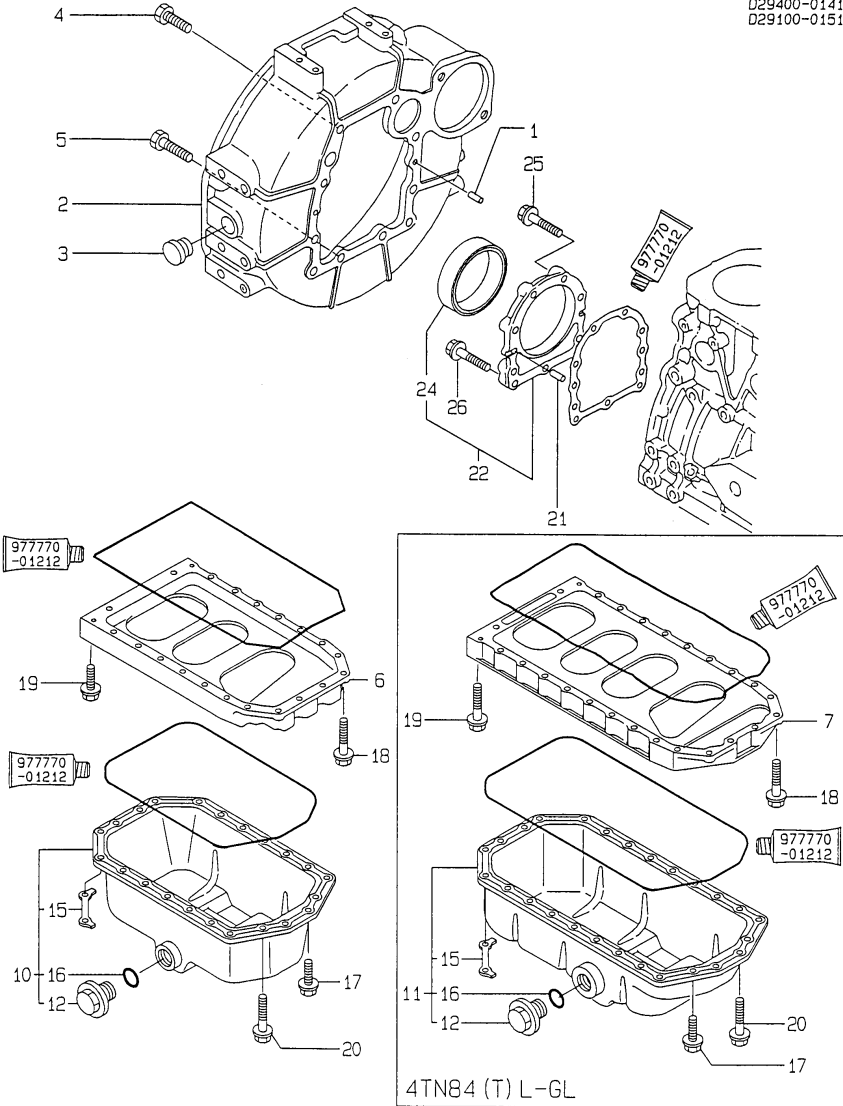
No.	Lev.	Parts No.	Description	Qty						I	R
				(A)	(B)	(C)	(D)	(E)	(F)		
1	1	719810-01500	CASE ASSY, GEAR	1	1	1					
4	2	129795-01800	SEAL, OIL	1	1	1					
5	1	129400-01520	FLANGE, GEAR CASE	1	1	1					
6	1	121450-01560	STUD, M8X22	3	3	3					
7	1	124160-01751	COVER, FILLER	1	1	1					
8	1	124240-01871	COVER	1	1	1					
9	1	124240-01883	GASKET	1	1	1					\$
10	1	129795-01950	PIPE, KNOCK L=18	2	2	2					
11	1	129150-03100	RETAINER, PIPE	1	1	1					
12	1	121850-51960	O-RING	1	1	1					\$
13	1	24311-000160	O-RING, 1AP16.0	2	2	2					
14	1	24311-000320	O-RING, 1AP32.0	1	1	1					\$
15	1	26106-080122	BOLT, M8X 12 PLATED	4	4	4					
16	1	26106-080162	BOLT, M8X 16 PLATED	1	1	1					
17	1	26106-080162	BOLT, M8X 16 PLATED	3	3	3					
18	1	26106-080202	BOLT, M8X 20 PLATED	2	2	2					
19	1	26106-080452	BOLT, M8X 45 PLATED	6	6	6					
20	1	26106-080552	BOLT, M8X 55 PLATED	3	3	3					
21	1	26106-080852	BOLT, M8X 85 PLATED	4	4	4					
22	1	26366-080002	NUT, M8	3	3	3					
23	1	43400-500410	SEAL WASHER 8S	4	4	4					
24	1	43400-500410	SEAL WASHER 8S	1	1	1					
25	1	129150-91400	GEAR	1	1	1					
27	2	24341-000240	O-RING, 1AS24.0	1	1	1					
28	1	26106-060162	BOLT, M6X 16 PLATED	2	2	2					

Remarks
(\$) THESE PARTS ARE SOLD BY FIG.26,
REF.NO.1,2.

Fig.4. FLYWHEEL HOUSING & OIL SUMP

Y0004620
3, 4TN84 (T) L-GL

D29100-01300
D29100-01410
D29400-01410
D29100-01510



(A)=3TN84L-RGL
(B)=4TN84L-RGL
(C)=4TN84TL-RGL

(D)=
(E)=
(F)=

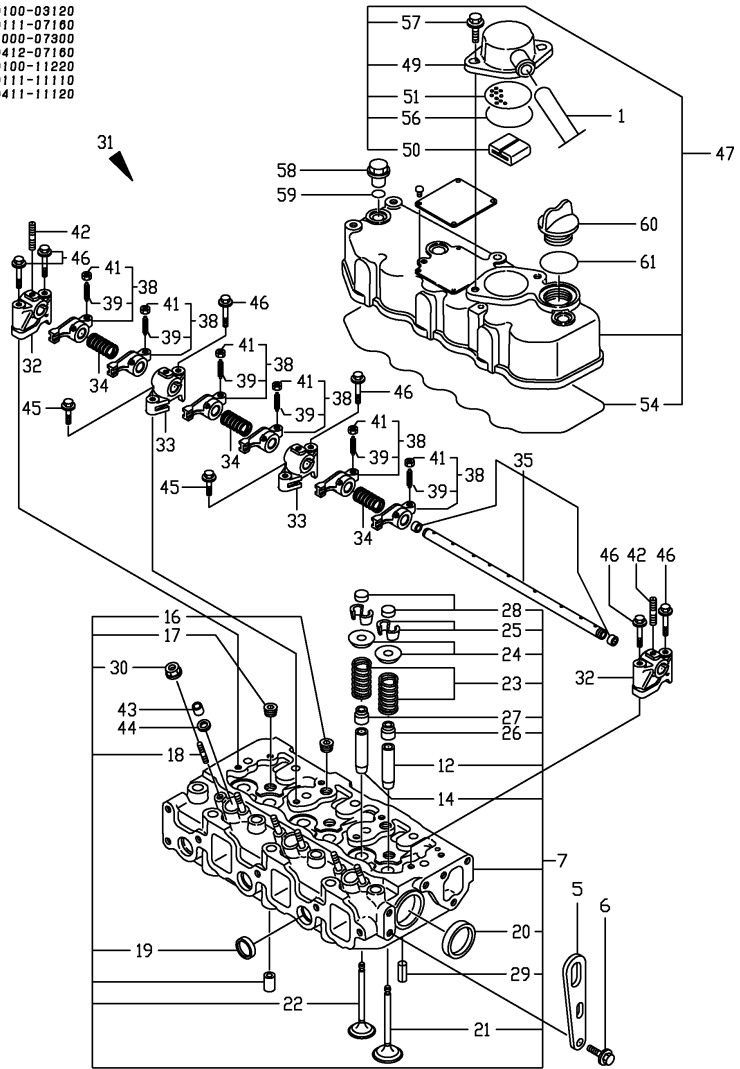
No.	Lev.	Parts No.	Description	Qty						I	R
				(A)	(B)	(C)	(D)	(E)	(F)		
1	1	129100-01580	PIN, M8X16	2	2	2					
2	1	171420-01600	HOUSING, FLYWHEEL	1	1	1					
3	1	119620-01750	CAP	1	1	1					
4	1	26206-100252	BOLT, M10X 25 PLATED	6	6	6					
5	1	26206-100302	BOLT, M10X 30 PLATED	4	4	4					
6	1	129100-01730	SPACER, OIL SUMP	1							
7	1	129400-01730	SPACER, OIL SUMP		1	1					
10	1	129100-01770	SUMP ASSY, OIL	1							
11	1	129400-01770	SUMP ASSY, OIL		1	1					
12	2	171301-01640	PLUG, 22	1	1	1					
15	2	129100-01790	RETAINER	2	2	2					
16	2	24341-000240	O-RING, 1AS24.0	1	1	1					
17	1	26106-080162	BOLT, M8X 16 PLATED	4	4	4					
18	1	26106-080252	BOLT, M8X 25 PLATED	2	2	2					
19	1	26106-080452	BOLT, M8X 45 PLATED	16	20	20					
20	1	26106-080502	BOLT, M8X 50 PLATED	4	4	4					
21	1	129100-01580	PIN, M8X16	2	2	2					
22	1	129100-01640	CASE ASSY, OIL SEAL	1	1	1					
24	2	129795-01780	SEAL, OIL	1	1	1					
25	1	26106-080302	BOLT, M8X 30 PLATED	6	6	6					
26	1	26106-080352	BOLT, M8X 35 PLATED	3	3	3					

Fig.5. CYLINDER HEAD & BONNET

Y00D4620
3,4TN84(T)L-GL

5 シリンダヘッド @ ボンネット
CYLINDER HEAD @ BONNET

D29100-03120
D29111-07100
D21000-07300
D29412-07100
D29100-11220
D29111-11110
D29411-11120



(A)=3TN84L-RGL
(B)=4TN84L-RGL
(C)=4TN84TL-RGL

(D)=
(E)=
(F)=

No.	Lev.	Parts No.	Description	Q'ty						I	R
				(A)	(B)	(C)	(D)	(E)	(F)		
1	1	129150-03090	HOSE, ID16X2T	1							
5	1	124736-07900	LIFTER	2							
6	1	26106-080142	BOLT, M8X 14 PLATED	4							
7	1	729102-11700	HEAD ASSY, CYLINDER	1							
12	2	120130-11860	GUIDE, VALVE	3							1
14	2	120150-11810	GUIDE, VALVE	3							1
16	2	121850-11860	PLUG, PT1/4	2							
17	2	23871-030000	PLUG, R03	3							
18	2	26216-060202	STUD, M6X 20	6							
19	2	27241-220000	PLUG, 22	3							
20	2	27241-400000	PLUG, 40	2							
21	2	129100-11100	VALVE, INTAKE	3							
22	2	129100-11110	VALVE, EXHAUST	3							
23	2	129795-11120	SPRING, VALVE	6							
24	2	129795-11180	RETAINER, SPRING	6							
25	2	103338-11190	COTTER	6							
25-1	2	27310-080001	COTTER, 8	6							R
(A=EXXXXX)											
26	2	121400-11340	SEAL, VALVE STEM	3							
27	2	124460-11340	SEAL, VALVE STEM	3							
28	2	129150-11370	CAP, VALVE	6							
29	2	22351-060012	PIN, SPRING 6.0X12	2							
30	2	26366-060002	NUT, M6	6							
31	1	129100-11240	SHAFT ASSY, ROCKER	1							
32	2	129155-11260	SUPPORT, ROCKER ARM	2							
33	2	129155-11270	SUPPORT, ROCKER ARM	2							
34	2	129150-11280	SPRING	3							
35	2	129150-11290	SHAFT, ROCKER ARM	1							
38	2	129100-11650	ARM, ROCKER	6							
39	3	129150-11230	SCREW, VALVE ADJUST	6							
41	3	129150-11750	NUT, M8	6							
42	2	26226-080182	STUD, M8X 18	3							
43	1	119625-11870	PROTECTOR, NOZZLE	3							
44	1	119625-11880	SEAT, NOZZLE	3							
45	1	26106-080252	BOLT, M8X 25 PLATED	2							
46	1	26106-080502	BOLT, M8X 50 PLATED	6							
47	1	129100-11350	BONNET ASSY, HEAD	1							
49	2	129150-03020	COVER, BREATHER	1							
50	2	129150-03070	BAFFLE, BREATHER	1							
51	2	129150-03080	PLATE, BAFFLE	1							
54	2	129150-11310	GASKET, BONNET	1							\$
56	2	24341-000500	O-RING, 1AS50.0	1							\$
57	2	26106-080162	BOLT, M8X 16 PLATED	2							
58	1	124160-11360	KNOB	3							
59	1	24311-000120	O-RING, 1AP12.0	3							\$
60	1	124160-01751	COVER, FILLER	1							
61	1	24311-000320	O-RING, 1AP32.0	1							

Remarks

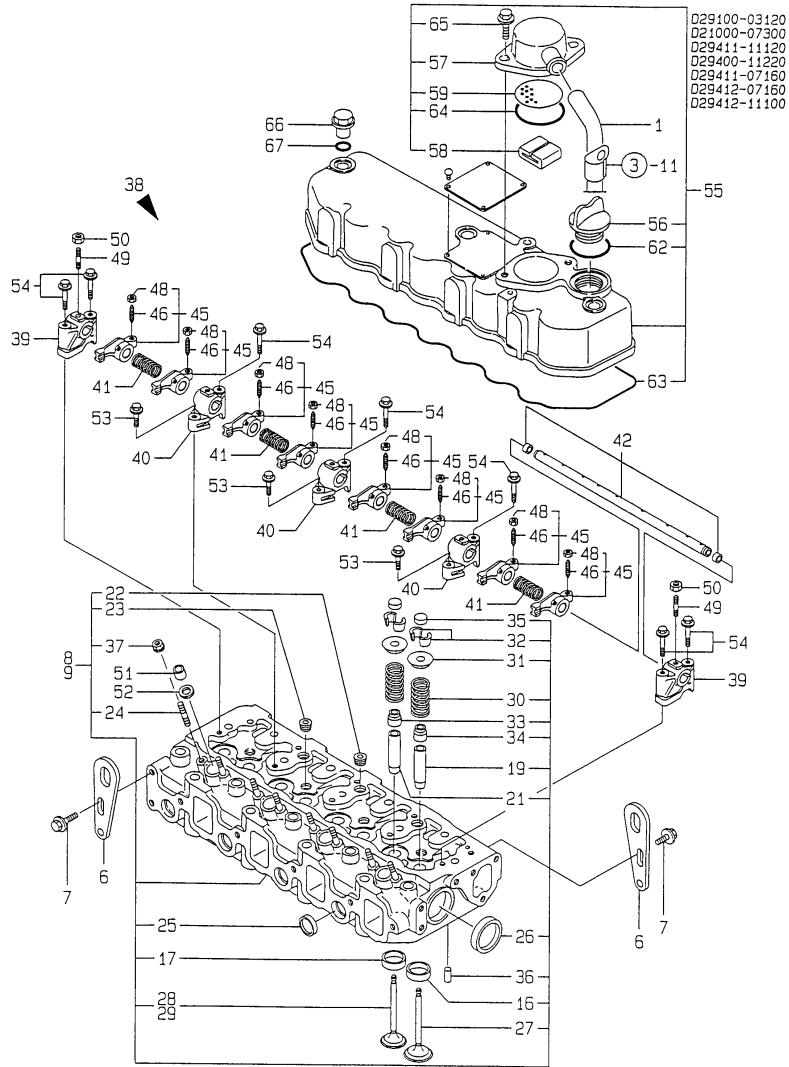
(\$) THESE PARTS ARE SOLD BY FIG.26,
REF.NO.1.

(1) REPAIR PART.

N:Old $\begin{matrix} \text{Yes} \\ \text{No} \end{matrix}$ New, Q:Old $\begin{matrix} \text{No} \\ \text{Yes} \end{matrix}$ New, R:Old $\begin{matrix} \text{Yes} \\ \text{Yes} \end{matrix}$ New, S:Old $\begin{matrix} \text{No} \\ \text{No} \end{matrix}$ New, W:Add, Z:Discontinued, F:Interchangeable by set, K:Q'ty Change

Fig.6. CYLINDER HEAD & BONNET

Y00D4520
3, 4TN84 (T) L-GL



(A)=3TN84L-RGL
(B)=4TN84L-RGL
(C)=4TN84TL-RGL

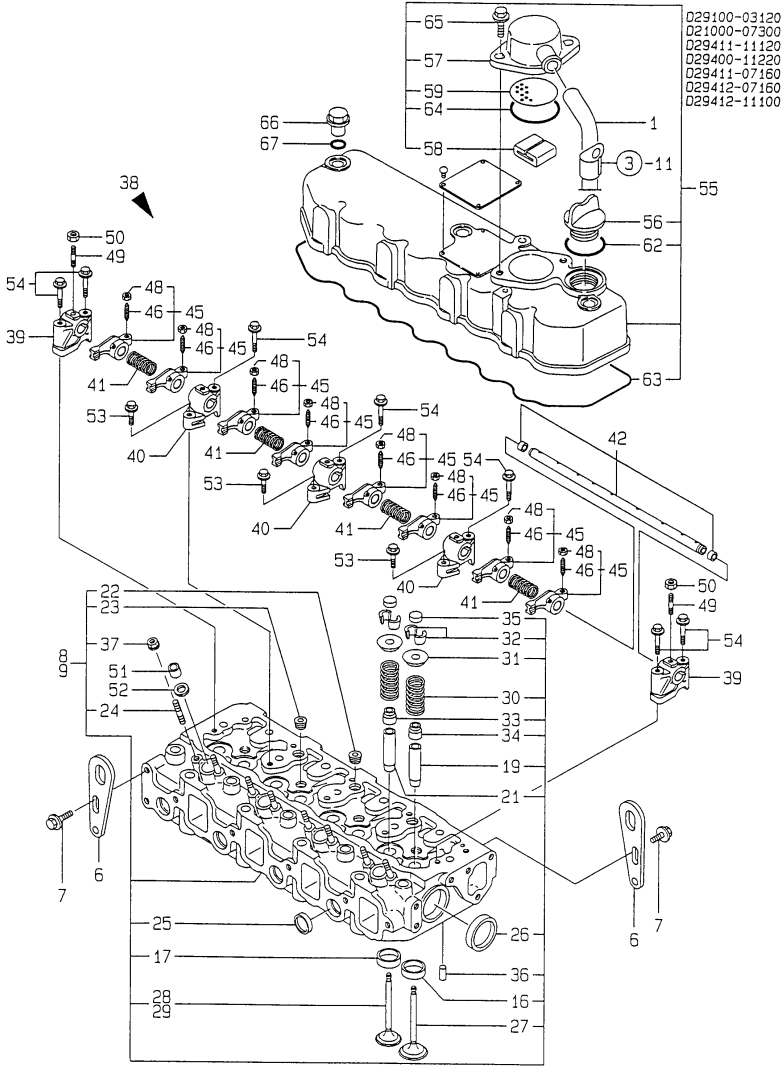
(D)=
(E)=
(F)=

No.	Lev.	Parts No.	Description	Q'ty						I	R
				(A)	(B)	(C)	(D)	(E)	(F)		
1	1	129150-03090	HOSE, ID16X2T		1	1					
6	1	124736-07900	LIFTER		2	2					
7	1	26106-080142	BOLT, M8X 14 PLATED		4	4					
8	1	729405-11700	HEAD ASSY, CYLINDER		1						
9	1	729406-11700	HEAD ASSY, CYLINDER			1					
16	2	129470-11080	SEAT, INTAKE VALVE			4					
17	2	129470-11090	SEAT, EXHAUST VALVE			4					
19	2	120130-11860	GUIDE, VALVE		4	4					1
21	2	129150-11810	GUIDE, VALVE		4	4					1
22	2	121850-11860	PLUG, PT1/4		3	3					
23	2	23871-030000	PLUG, R03		4	4					
24	2	26216-060202	STUD, M6X 20		8	8					
25	2	27241-220000	PLUG, 22		4	4					
26	2	27241-400000	PLUG, 40		2	2					
27	2	129100-11100	VALVE, INTAKE		4	4					
28	2	129100-11110	VALVE, EXHAUST		4						
29	2	129100-11130	VALVE, EXHAUST			4					
30	2	129795-11120	SPRING, VALVE		8	8					
31	2	129795-11180	RETAINER, SPRING		8	8					
32	2	103338-11190	COTTER		8	8					
32-1	2	27310-080001	COTTER, 8		8	8					R
		(B=EXXXXX) (C=EXXXXX)									
33	2	121400-11340	SEAL, VALVE STEM		4	4					\$
34	2	124460-11340	SEAL, VALVE STEM		4	4					\$
35	2	129150-11370	CAP, VALVE		8	8					
36	2	22351-060012	PIN, SPRING 6.0X12		2	2					
37	2	26366-060002	NUT, M6		8	8					
38	1	129500-11240	SHAFT ASSY, ROCKER		1	1					
39	2	129155-11260	SUPPORT, ROCKER ARM		2	2					
40	2	129155-11270	SUPPORT, ROCKER ARM		3	3					
41	2	129150-11280	SPRING		4	4					
42	2	129550-11290	SHAFT, ROCKER ARM		1	1					
45	2	129100-11650	ARM, ROCKER		8	8					
46	3	129150-11230	SCREW, VALVE ADJUST		8	8					
48	3	129150-11750	NUT, M8		8	8					
49	2	26226-080182	STUD, M8X 18		3	3					
50	2	26756-080002	NUT, LOCK M8		3	3					
51	1	119625-11870	PROTECTOR, NOZZLE		4	4					
52	1	119625-11880	SEAT, NOZZLE		4	4					
53	1	26106-080252	BOLT, M8X 25 PLATED		3	3					
54	1	26106-080502	BOLT, M8X 50 PLATED		7	7					
55	1	129400-11350	BONNET ASSY, HEAD		1	1					
56	2	124160-01751	COVER, FILLER		1	1					
57	2	129150-03020	COVER, BREATHER		1	1					
58	2	129150-03070	BAFFLE, BREATHER		1	1					
59	2	129150-03080	PLATE, BAFFLE		1	1					
62	2	129550-11310	GASKET, BONNET		1	1					\$
63	2	24311-000320	O-RING, 1AP32.0		1	1					\$
64	2	24341-000500	O-RING, 1AS50.0		1	1					\$
65	2	26106-080162	BOLT, M8X 16 PLATED		2	2					
66	1	124160-11360	KNOB		3	3					

Remarks
(\$) THESE PARTS ARE SOLD BY FIG.26,
REF.NO.2.

Fig.6. CYLINDER HEAD & BONNET

Y00D4520
3, 4TN84 (T) L-GL



(A)=3TN84L-RGL
(B)=4TN84L-RGL
(C)=4TN84TL-RGL

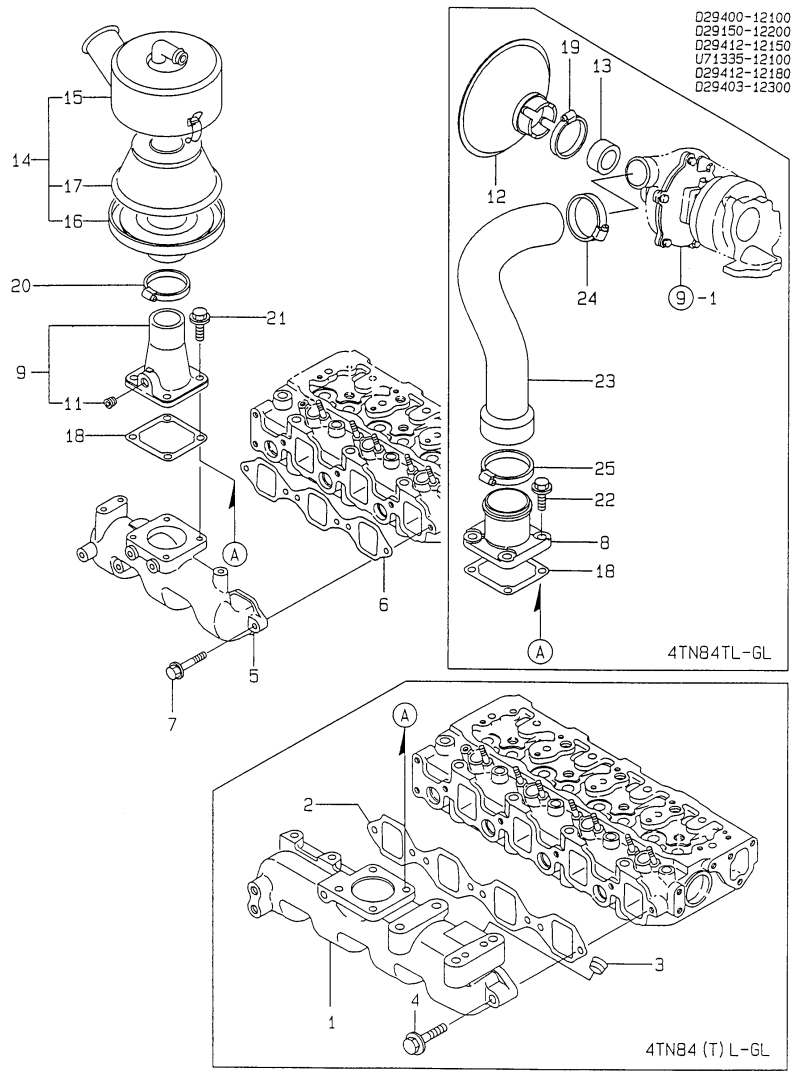
(D)=
(E)=
(F)=

No.	Lev.	Parts No.	Description	Q'ty						I	R	
				(A)	(B)	(C)	(D)	(E)	(F)			
67	1	24311-000120	O-RING, 1AP12.0		3	3						\$

Remarks
(\$) THESE PARTS ARE SOLD BY FIG.26,
REF.NO.2.

Fig.7. SUCTION MANIFOLD

Y00D4620
3, 4TN84 (T) L-GL



(A)=3TN84L-RGL
(B)=4TN84L-RGL
(C)=4TN84TL-RGL

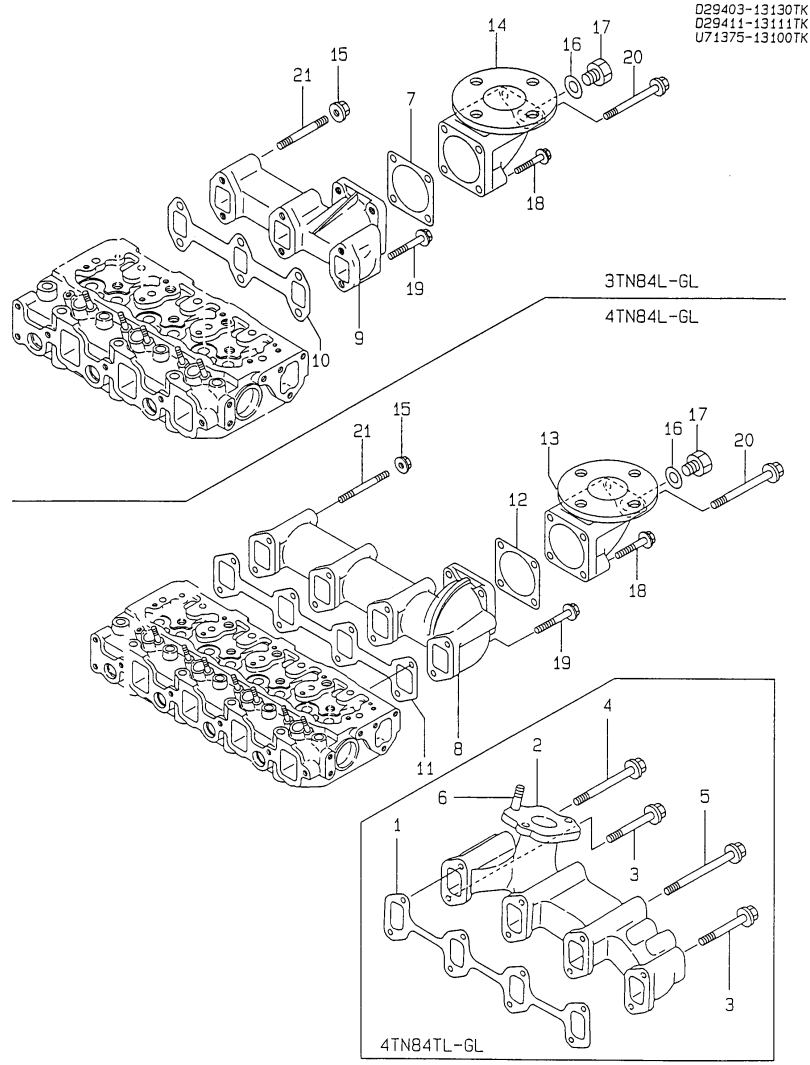
(D)=
(E)=
(F)=

No.	Lev.	Parts No.	Description	Q'ty						I	R
				(A)	(B)	(C)	(D)	(E)	(F)		
1	1	129400-12100	MANIFOLD, AIR INTAKE		1	1					
2	1	129550-12111	GASKET, MANIFOLD		1	1					\$
3	1	23871-030000	PLUG, R03		1	1					
4	1	26106-080352	BOLT, M8X 35 PLATED		5	5					
5	1	129150-12100	MANIFOLD, AIR INTAKE	1							
6	1	129150-12111	GASKET, MANIFOLD	1							\$
7	1	26106-080252	BOLT, M8X 25 PLATED	4							
8	1	171463-12581	JOINT, MANIFOLD			1					
9	1	129470-12210	JOINT ASSY	1	1						
11	2	23871-010000	PLUG, R01	1	1						
12	1	129412-12460	COVER			1					
13	1	129412-12470	RUBBER, SEAL			1					
14	1	129795-12501	SILENCER ASSY	1	1						
15	2	129795-12520	PIPE, AIR INTAKE	1	1						
16	2	129795-12530	PLATE	1	1						
17	2	129795-12540	ELEMENT	1	1						
18	1	129150-77511	GASKET	1	1	1					\$
19	1	23000-054000	CLAMP, 54			1					
20	1	23000-060000	CLAMP, 60	1	1						
21	1	26106-080162	BOLT, M8X 16 PLATED	4	4						
22	1	26106-080352	BOLT, M8X 35 PLATED			4					
23	1	129403-12080	PIPE, AIR INTAKE			1					
24	1	23000-054000	CLAMP, 54			1					
25	1	23000-060000	CLAMP, 60			1					

Remarks
(\$) THESE PARTS ARE SOLD BY FIG.26,
REF.NO.1,2.

Fig.8. EXHAUST MANIFOLD

Y00D4620
3, 4TN84 (7) L-GL



(A)=3TN84L-RGL
(B)=4TN84L-RGL
(C)=4TN84TL-RGL

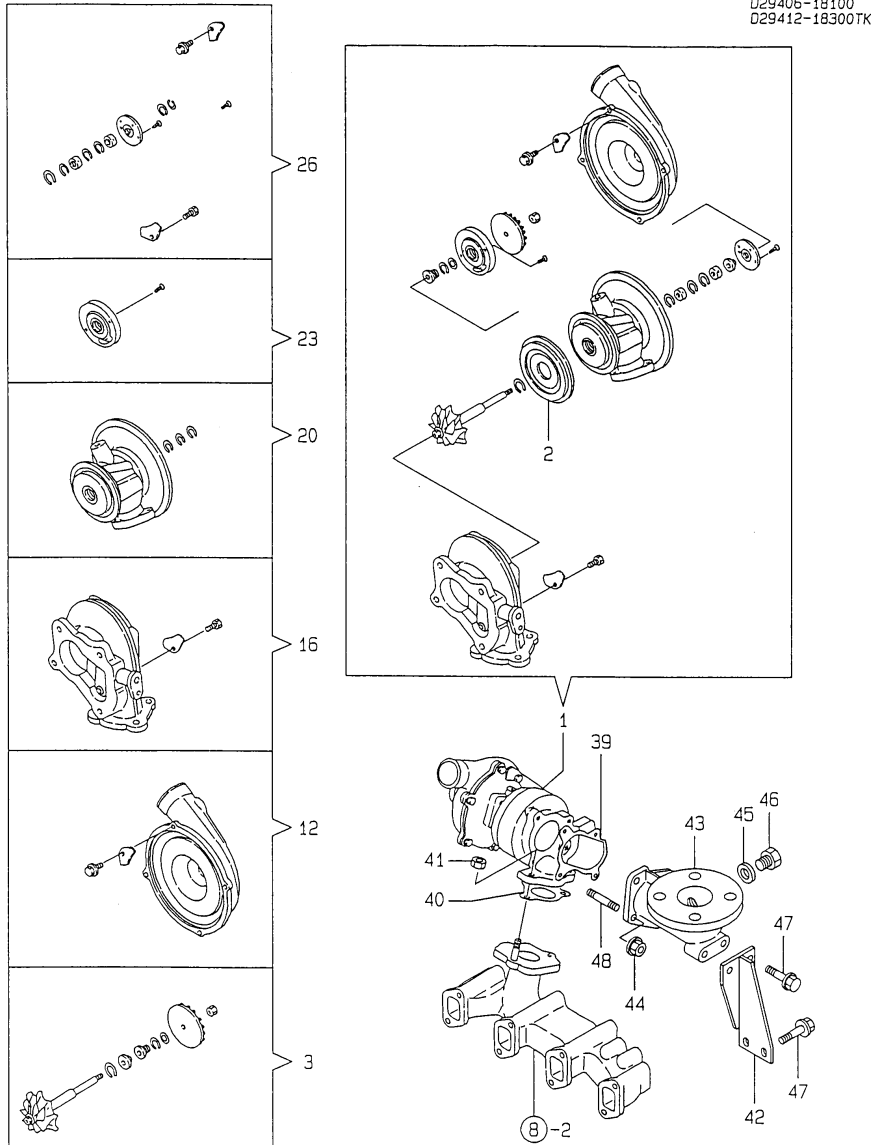
(D)=
(E)=
(F)=

No.	Lev.	Parts No.	Description	Qty						I	R
				(A)	(B)	(C)	(D)	(E)	(F)		
1	1	129550-13110	GASKET			1					\$
2	1	129403-13130	MANIFOLD, EXHAUST			1					
3	1	26106-080652	BOLT, M8X 65 PLATED			3					
4	1	26106-080852	BOLT, M8X 85 PLATED			1					
5	1	26106-081002	BOLT, M8X100 PLATED			4					
6	1	26216-080222	STUD, M8X 22			3					
7	1	124450-11900	GASKET	1							\$
8	1	129400-13101	MANIFOLD, EXHAUST		1						
9	1	129100-13110	MANIFOLD, EXHAUST	1							
10	1	129150-13110	GASKET	1							\$
11	1	129550-13110	GASKET		1						\$
12	1	129400-13201	GASKET, SILENCER		1						
13	1	129411-13300	BEND, EXHAUST 50A		1						
14	1	171083-13300	BEND, EXHAUST 50A	1							
15	1	194990-22050	NUT, M8	2	2						
16	1	23414-170000	GASKET, 17X1.0	1	1						
17	1	23894-030002	PLUG, G3/8	1	1						
18	1	26106-080452	BOLT, M8X 45 PLATED	2	2						
19	1	26106-080802	BOLT, M8X 80 PLATED	4	6						
20	1	26106-080952	BOLT, M8X 95 PLATED	2	2						
21	1	26216-080802	STUD, M8X 80	2	2						

Remarks
(\$) THESE PARTS ARE SOLD BY FIG.26,
REF.NO.1,2.

Fig.9. TURBO-CHARGER

Y0004620
3. 4TN84 (T) L-GL



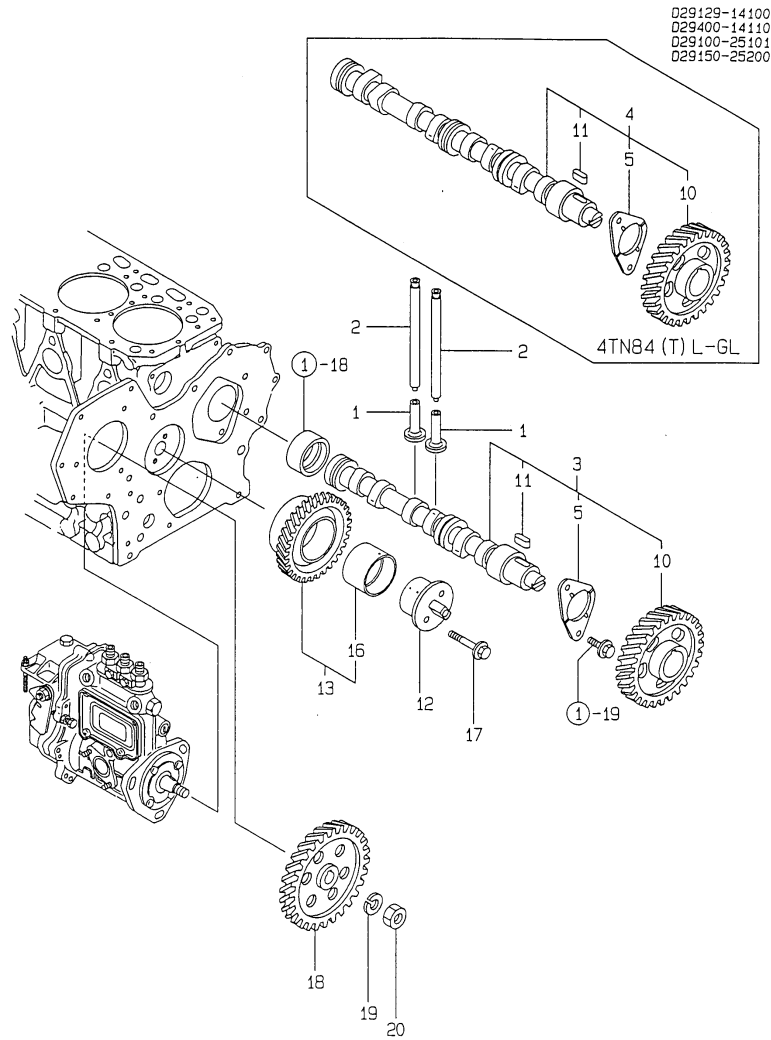
(A)=3TN84L-RGL
(B)=4TN84L-RGL
(C)=4TN84TL-RGL

(D)=
(E)=
(F)=

No.	Lev.	Parts No.	Description	Qty						I	R
				(A)	(B)	(C)	(D)	(E)	(F)		
1	1	129406-18010	TURBINE, RHB31			1					
2	2	129403-18720	PROTECTOR, HEAT			1					
3	2	129406-18770	ROTOR ASSY			1					
12	2	129406-18780	HOUSING ASSY			1					
16	2	129406-18790	HOUSING ASSY			1					
20	2	129403-18800	HOUSING ASSY			1					
23	2	129403-18820	PLATE ASSY, SEAL			1					
26	2	129406-18830	OVERHALL KIT			1					
39	1	129403-18090	GASKET			1					
40	1	129477-18100	GASKET			1					
41	1	194990-22050	NUT, M8			3					
42	1	129412-18290	SUPPORT			1					
43	1	129412-18380	BEND, EXHAUST			1					
44	1	194990-22050	NUT, M8			4					
45	1	23414-170000	GASKET, 17X1.0			1					
46	1	23894-030002	PLUG, G3/8			1					
47	1	26106-080142	BOLT, M8X 14 PLATED			4					
48	1	26216-080222	STUD, M8X 22			4					

Fig.10. CAMSHAFT & DRIVE GEAR

Y00D4620
3, 4TN84 (T) L-GL



(A)=3TN84L-RGL
(B)=4TN84L-RGL
(C)=4TN84TL-RGL

(D)=
(E)=
(F)=

No.	Lev.	Parts No.	Description	Q'ty						I	R
				(A)	(B)	(C)	(D)	(E)	(F)		
1	1	129150-14200	TAPPET	6	8	8					
2	1	129150-14400	ROD, PUSH L=178	6	8	8					
3	1	129129-14580	CAMSHAFT ASSY	1							
4	1	729402-14580	CAMSHAFT ASSY		1	1					
5	2	129150-02450	BEARING, THRUST	1	1	1					
10	2	129150-14101	GEAR, CAMSHAFT	1	1	1					
11	2	22512-070140	KEY, 7X 14	1	1	1					
12	1	129100-25061	SHAFT, IDLE	1	1	1					
13	1	129150-25101	GEAR ASSY, IDLE	1	1	1					
16	2	129150-25920	BUSH, IDLE GEAR	1	1	1					1
17	1	26106-080452	BOLT, M8X 45 PLATED	2	2	2					
18	1	129150-25900	GEAR, PUMP	1	1	1					
19	1	22217-120000	WASHER, SPRING 12	1	1	1					
20	1	26716-120002	NUT, M12	1	1	1					

Remarks

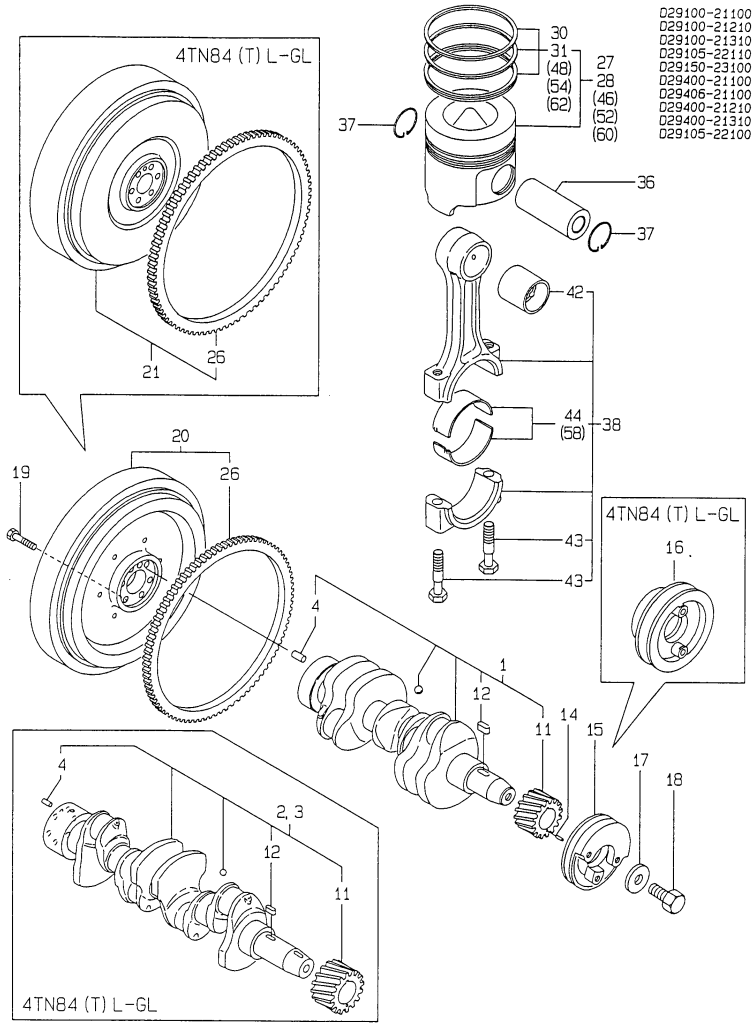
(1) REPAIR PART.

Fig.11. CRANKSHAFT & PISTON

(A)=3TN84L-RGL
 (B)=4TN84L-RGL
 (C)=4TN84TL-RGL

(D)=
 (E)=
 (F)=

Y00D4620
 3. 4TN84 (T) L-GL

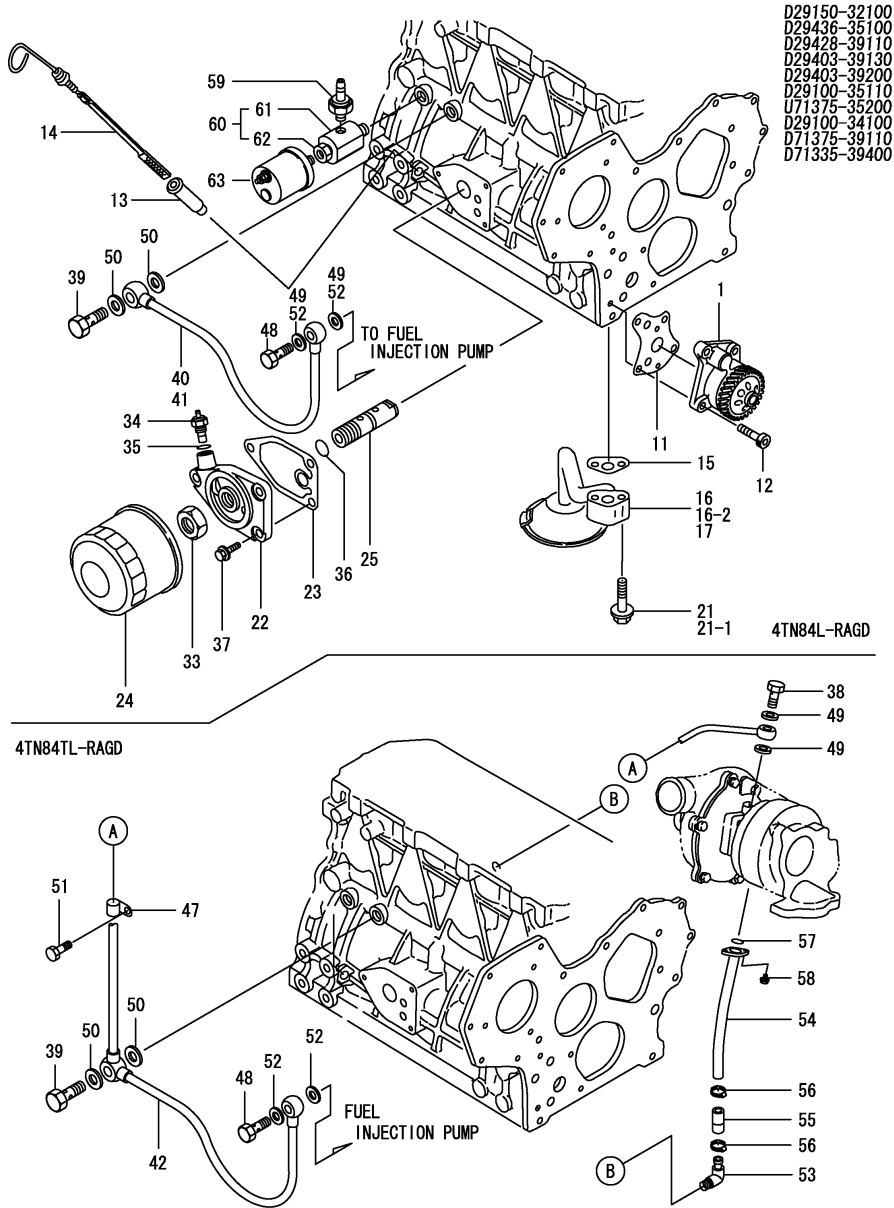


- 029100-21100
- 029100-21210
- 029100-21310
- 029105-22110
- 029150-23100
- 029400-21100
- 029406-21100
- 029400-21210
- 029400-21310
- 029105-22100

No.	Lev.	Parts No.	Description	Qty						I	R
				(A)	(B)	(C)	(D)	(E)	(F)		
1	1	729102-21700	CRANKSHAFT ASSY	1							
2	1	729400-21700	CRANKSHAFT ASSY		1						
3	1	729406-21700	CRANKSHAFT ASSY			1					
4	2	129100-01580	PIN, M8X16	1	1	1					
11	2	129150-21200	GEAR, CRANKSHAFT	1	1	1					
12	2	22512-070140	KEY, 7X 14	1	1	1					
14	1	22351-040010	PIN, SPRING 4.0X10	1	1	1					
15	1	129150-21650	V-PULLEY	1							
16	1	129550-21650	V-PULLEY		1	1					
17	1	129795-21661	WASHER	1	1	1					
18	1	121850-21680	BOLT	1	1	1					
19	1	121111-21501	BOLT, FLYWHEEL	6	6	6					
20	1	171340-21590	FLYWHEEL ASSY	1							
21	1	171420-21590	FLYWHEEL ASSY		1	1					
26	2	124550-21600	GEAR, RING	1	1	1					
27	1	129105-22080	PISTON ASSY	3	4						
28	1	129105-22090	PISTON ASSY			4					
30	2	129105-22500	RING SET, PISTON	3	4						
31	2	729105-22500	RING SET, PISTON			4					
36	1	129150-22300	PIN, PISTON D26 L66	3	4	4					
37	1	121100-22400	CIRCLIP	6	8	8					
38	1	729402-23100	ROD ASSY, CONNECTING	3	4	4					
42	2	129100-23910	BEARING, PISTON PIN	3	4	4					1
43	2	121550-23200	BOLT, CONNECTING ROD	6	8	8					
44	2	129150-23600	BEARING, CRANK PIN	3	4	4					
46	1	729105-22900	PISTON ASSY, 0.25 OS	3	4						2
48	2	729157-22951	RING SET, 0.25 OS	3	4						2
52	1	729105-22910	PISTON ASSY, 0.25 OS			4					2
54	2	729105-22951	RING SET, 0.25 OS			4					2
58	1	129150-23610	BEARING, 0.25 US	3	4	4					3
60	1	129105-22920	PISTON ASSY, 0.50 OS	3	4	4					4
62	2	129105-22970	RING SET, 0.50 OS	3	4	4					4

Remarks
 (1) REPAIR PART.
 (2) OVER-SIZE(O.S=0.25)PART.
 (3) UNDER-SIZE(U.S=0.25)PART.
 (4) OVER-SIZE(O.S=0.50)PART.

Fig.12. LUB. OIL SYSTEM



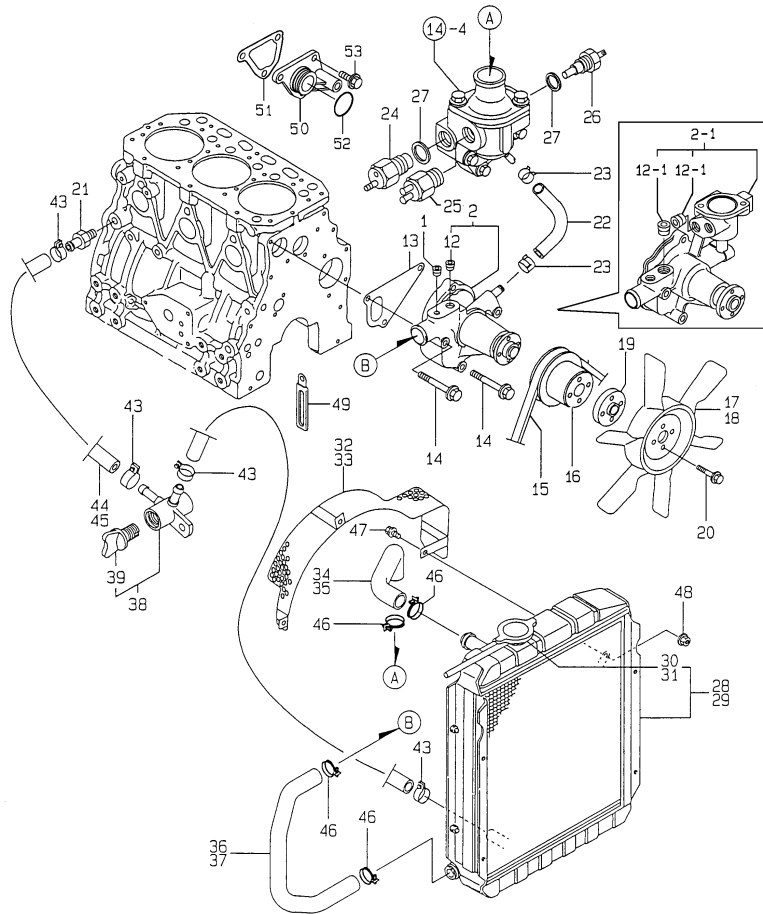
(A)=3TN84L-RGL
(B)=4TN84L-RGL
(C)=4TN84TL-RGL

(D)=
(E)=
(F)=

No.	Lev.	Parts No.	Description	Qty						I	R
				(A)	(B)	(C)	(D)	(E)	(F)		
1	1	129150-32000	PUMP ASSY, OIL	1	1	1					
11	1	129150-32020	GASKET, PUMP	1	1	1					\$
12	1	26450-060252	BOLT, M6X 25	4	4	4					
13	1	121520-34810	GUIDE, DIPSTICK	1	1	1					
14	1	171420-34820	DIPSTICK, OIL	1	1	1					
15	1	129150-35041	GASKET	1	1	1					\$
15-1	1	129150-35042	GASKET	1	1	1					N
		(A=EZZZZZ) (B=EZZZZZ) (C=EZZZZZ)									
16	1	129436-35090	PIPE ASSY, OIL INLET		1	1					
16-1	1	129436-35091	PIPE ASSY, OIL INLET		1	1					N
		(B=EZZZZZ) (C=EZZZZZ)									
16-2	1	129436-35070	PIPE ASSY		1	1					S
		(B=EZZZZZ) (C=EZZZZZ)									
17	1	129100-35301	PIPE ASSY, OIL INLET		1						
21	1	26106-080352	BOLT, M8X 35 PLATED	2	2	2					
21-1	1	26106-080552	BOLT, M8X 55 PLATED		2	2					S
		(B=EZZZZZ) (C=EZZZZZ)									
22	1	171375-35100	BRACKET, STRAINER	1	1	1					
23	1	129150-35111	GASKET	1	1	1					\$
24	1	129150-35150	FILTER 90X80L	1	1	1					
25	1	119865-35300	VALVE ASSY, CONTROL	1	1	1					
33	1	129150-35350	NUT	1	1	1					
34	1	124250-49351	SENSOR	1	1	1					
35	1	129150-49360	GASKET	1	1	1					
36	1	24311-000160	O-RING, 1AP16.0	1	1	1					
37	1	26106-080202	BOLT, M8X 20 PLATED	3	3	3					
38	1	105010-39140	BOLT, PIPE JOINT								1
39	1	124160-39140	BOLT, PIPE JOINT M10	1	1	1					
40	1	129150-39450	PIPE ASSY, OIL		1						
41	1	129550-39450	PIPE ASSY, OIL		1						
42	1	129403-39450	PIPE ASSY, OIL								1
47	1	124223-39900	RETAINER								1
48	1	124550-59820	BOLT, PIPE JOINT M8	1	1	1					
49	1	23414-080000	GASKET, 8X1.0	2		2					
50	1	23414-100000	GASKET, 10X1.0	2	2	2					
51	1	26106-080102	BOLT, M8X 10 PLATED								1
52	1	43400-500410	SEAL WASHER 8S		2	2					
53	1	128270-13620	JOINT, PIPE PT3/8								1
54	1	129403-39600	PIPE, OIL								1
55	1	129403-39610	JOINT, RUBBER								1
56	1	23000-022000	CLAMP, 22								2
57	1	24314-000160	O-RING, 4CP16.0								1
58	1	26106-060162	BOLT, M6X 16 PLATED								2
59	1	124160-39450	SWITCH, 0.5KG	1	1	1					
60	1	171375-39600	DAMPER ASSY	1	1	1					
61	2	129470-39610	DAMPER	1	1	1					
62	2	23161-020100	BUSH, R1/4X1/8	1	1	1					
63	1	144626-91560	SENSOR	1	1	1					

Remarks
(\$) THESE PARTS ARE SOLD BY FIG.26,
REF.NO.1,2.

Fig.13. COOLING WATER SYSTEM



(A)=3TN84L-RGL
(B)=4TN84L-RGL
(C)=4TN84TL-RGL

(D)=
(E)=
(F)=

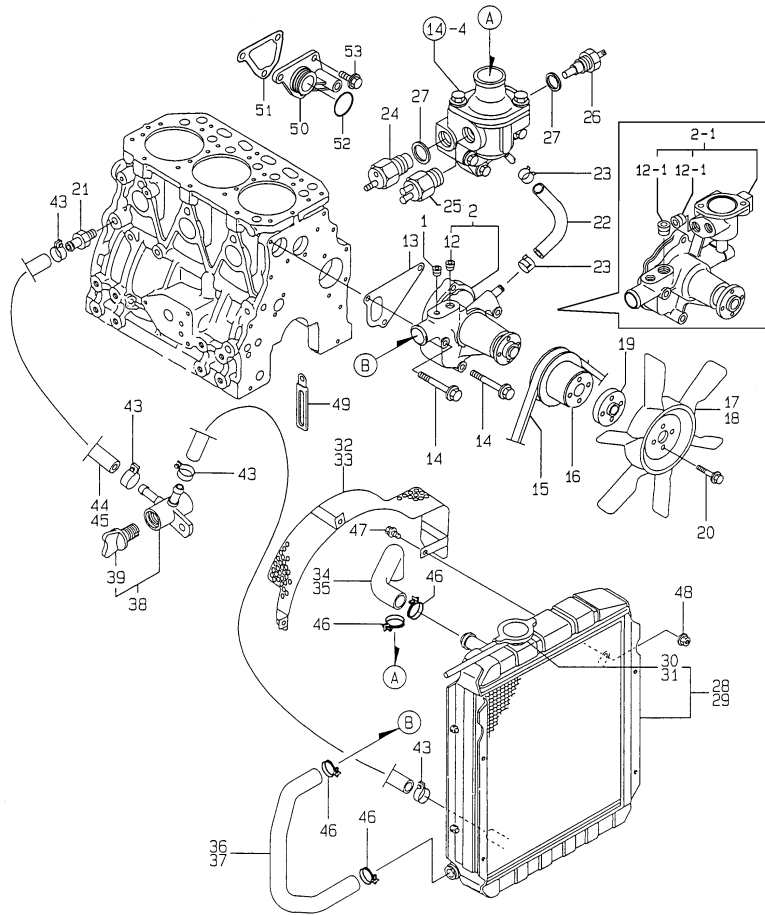
No.	Lev.	Parts No.	Description	Q'ty						I	R
				(A)	(B)	(C)	(D)	(E)	(F)		
1	1	121850-11860	PLUG, PT1/4	1	1	1					
2	1	129100-42002	PUMP ASSY, WATER	1	1	1					
2-1	1	129001-42001	PUMP ASSY, WATER	1	1	1					F 1
12	2	(A=E71601) 23871-030000 (B=E25228) (C=E04245)	PLUG, R03	1	1	1					
12-1	2	23871-030000	PLUG, R03	2	2	2					K
13	1	(A=E71601) 129100-42020 (B=E25228) (C=E04245)	GASKET, WATER PUMP	1	1	1					\$
14	1	26106-080602	BOLT, M8X 60 PLATED	3	3	3					
15	1	124732-42290	V-BELT, AX37	1	1	1					
16	1	129155-42350	V-PULLEY	1	1	1					
17	1	129403-44740	FAN, COOLING 370				1				
18	1	171340-44740	FAN, COOLING D335XNF	1	1						
19	1	171353-44760	SPACER, FAN	1	1	1					
20	1	26106-060352	BOLT, M6X 35 PLATED	4	4	4					
21	1	121550-49111	JOINT, PT1/4	1	1	1					
22	1	129100-49050	PIPE, WATER	1	1	1					
22-1	1	129132-49050	PIPE, WATER	1	1	1					R
22-2	1	(A=EZZZZZ) 129132-49050 (B=EZZZZZ) (C=EZZZZZ)	PIPE, WATER	1	1	1					Z
23	1	(A=E71601) 23000-016000 (B=E25228) (C=E04245)	CLAMP, 16	2	2	2					Z
24	1	121250-44901	SWITCH, 110	1	1	1					
25	1	171375-44900	SWITCH, 15	1	1	1					
26	1	171375-44910	SENSOR	1	1	1					
27	1	124465-44950	GASKET, 16	2	2	2					\$
28	1	171420-44500	RADIATOR	1	1						
29	1	171460-44500	RADIATOR				1				
30	2	124450-44590	CAP, RADIATOR				1				
31	2	123682-44210	CAP, RADIATOR	1	1						
32	1	129111-44560	PROTECTOR, FAN	1	1						
33	1	129411-44560	PROTECTOR, FAN				1				
34	1	171301-49010	PIPE, WATER	1	1						
35	1	171420-49010	PIPE, WATER				1				
36	1	171301-49020	PIPE, WATER	1	1						
37	1	171420-49020	PIPE, WATER				1				
38	1	129150-49100	COCK ASSY, 3-WAY	1	1	1					
39	2	129150-49080	COCK, DRAIN	1	1	1					
43	1	124766-59050	CLIP, HOSE 12	4	4	4					
44	1	121137-59080	PIPE, FUEL D12X1150			1	1				
45	1	124732-59080	PIPE, FUEL D12X1000	1							
46	1	23010-038000	CLAMP, 38	4	4	4					
47	1	26013-080142	BOLT, M8X 14	3	3	3					
48	1	26366-080002	NUT, M8	3	3	3					
49	1	194440-51620	CLAMP	1	1	1					
50	1	129001-42040	JOINT	1	1	1					W
51	1	(A=E71601) 129100-49840 (B=E25228) (C=E04245)	GASKET	1	1	1					W
52	1	(A=E71601) 24321-000300 (B=E25228) (C=E04245)	O-RING, 1AG30.0	1	1	1					W

Remarks

(\$) These parts are sold by Fig.26 Ref.No.1, 2.

(1) Interchangeable by simultaneous replacement with Fig.14 Ref.No.1-1 and Fig.24 Ref.No.7-1.

Fig.13. COOLING WATER SYSTEM



(A)=3TN84L-RGL
 (B)=4TN84L-RGL
 (C)=4TN84TL-RGL

(D)=
 (E)=
 (F)=

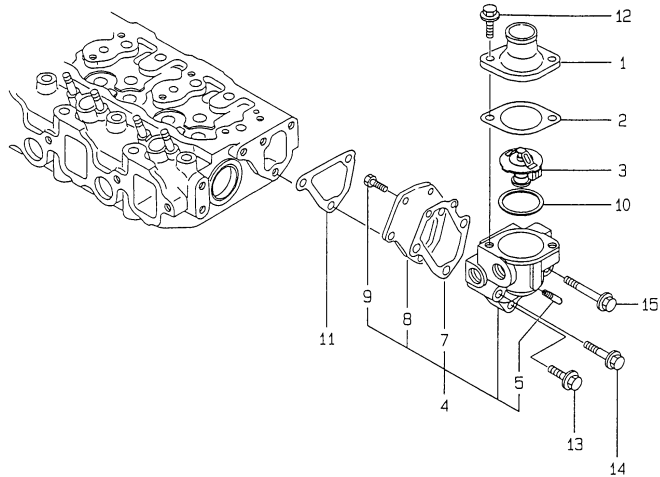
No.	Lev.	Parts No.	Description	Q'ty						I	R	
				(A)	(B)	(C)	(D)	(E)	(F)			
		(A=E71601)	(B=E25228)	(C=E04245)								
53	1	26106-080182	BOLT, M8X 18 PLATED	3	3	3						W
		(A=E71601)	(B=E25228)	(C=E04245)								

Remarks

(\$) These parts are sold by Fig.26 Ref.No.1, 2.

(1) Interchangeable by simultaneous replacement with Fig.14 Ref.No.1-1 and Fig.24 Ref.No.7-1.

Fig.14. THERMOSTAD



(A)=3TN84L-RGL
(B)=4TN84L-RGL
(C)=4TN84TL-RGL

(D)=
(E)=
(F)=

No.	Lev.	Parts No.	Description	Q'ty						I	R
				(A)	(B)	(C)	(D)	(E)	(F)		
1	1	129350-49530	COVER, THERMOSTAD	1	1	1					
1-1	1	129350-49560	COVER, THERMOSTAD	1	1	1					F 1
		(A=E71601) (B=E25228) (C=E04245)									
2	1	129795-49551	GASKET	1	1	1					\$
3	1	129155-49800	THERMOSTAD, 71	1	1	1					
4	1	171375-49800	CASE ASSY,THERMOSTAD	1	1	1					Z
		(A=E71601) (B=E25228) (C=E04245)									
5	2	124770-11770	JOINT, PIPE PT1/8	1	1	1					Z
		(A=E71601) (B=E25228) (C=E04245)									
7	2	129100-49820	GASKET	1	1	1					Z
		(A=E71601) (B=E25228) (C=E04245)									
8	2	129100-49830	COVER, THERMOSTAD	1	1	1					Z
		(A=E71601) (B=E25228) (C=E04245)									
9	2	26116-060162	BOLT, M6X 16 PLATED	2	2	2					Z
		(A=E71601) (B=E25228) (C=E04245)									
10	1	129150-49811	GASKET, THERMOSTAD	1	1	1					\$
11	1	129100-49840	GASKET	1	1	1					Z \$
		(A=E71601) (B=E25228) (C=E04245)									
12	1	26106-080202	BOLT, M8X 20 PLATED	2	2	2					
13	1	26106-080252	BOLT, M8X 25 PLATED	1	1	1					Z
		(A=E71601) (B=E25228) (C=E04245)									
14	1	26106-080502	BOLT, M8X 50 PLATED	1	1	1					Z
		(A=E71601) (B=E25228) (C=E04245)									
15	1	26106-080602	BOLT, M8X 60 PLATED	1	1	1					Z
		(A=E71601) (B=E25228) (C=E04245)									

Remarks

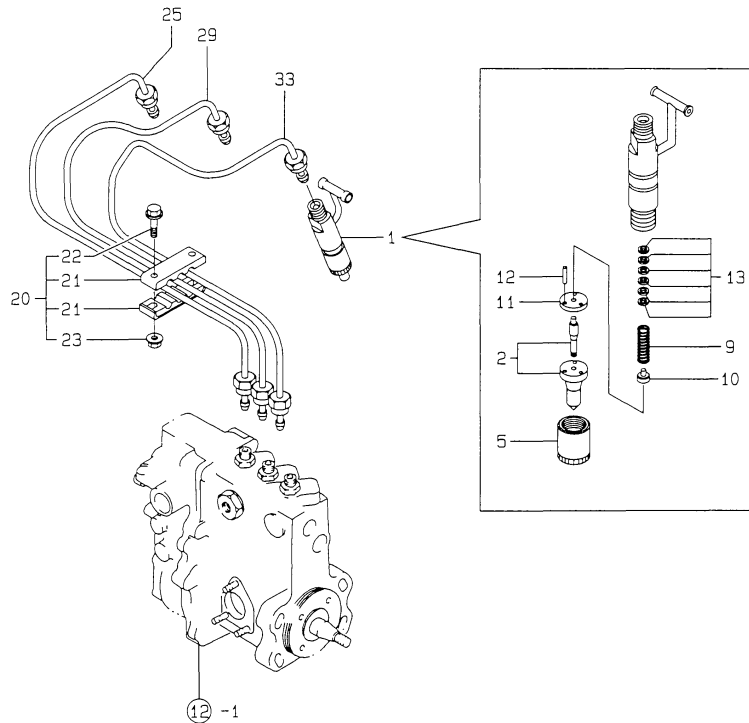
(\$) These parts are sold by Fig.26 Ref.No.1, 2.

(1) Interchangeable by simultaneous replacement with Fig.13 Ref.No.2-1 and Fig.24 Ref.No.7-1.

Fig.15. FUEL INJECTION PUMP

Y00D4540
3TN100L-MK

D19000-53100
D19000-59100



(A)=3TN84L-RGL
(B)=4TN84L-RGL
(C)=4TN84TL-RGL

(D)=
(E)=
(F)=

No.	Lev.	Parts No.	Description	Q'ty						I	R
				(A)	(B)	(C)	(D)	(E)	(F)		
1	1	729111-51310	PUMP ASSY, INJECTION	1							1
5	2	129155-51020	STUD	2							
6	2	119810-51040	CAMSHAFT	1							
8	2	129155-51050	BEARING, 17BM001D	1							
9	2	129155-51060	SUPPORT, CAMSHAFT	1							
10	2	122710-51090	KEY	1							
11	2	129400-51100	PLUNGER ASSY	3							
14	2	129155-51140	PIN	3							
15	2	174307-51170	RETAINER, SPRING A	3							
16	2	129155-51180	RETAINER, SPRING	3							
17	2	124950-51190	SPRING, PLUNGER	3							
18	2	129155-51200	TAPPET ASSY	3							
25	2	129155-51270	STOPPER, TAPPET	3							
26	2	129155-51280	O-RING, S6	3							
27	2	128170-51300	VALVE ASSY, DELIVERY	3							
30	2	129155-51320	SPRING, DELIVERY	3							
31	2	129155-51340	RETAINER	3							
32	2	124550-51350	GASKET, DELIVERY	3							
33	2	124550-51370	O-RING	3							
34	2	129155-51370	STOPPER, VALVE	3							
35	2	129155-51380	STOPPER	2							
36	2	129155-51390	STOPPER	2							
37	2	129155-51400	DEFLECTOR	1							
38	2	129155-51410	BOLT	1							
39	2	129155-51420	PLUG, M16	1							
40	2	129155-51450	SHIM SET, ADJUSTING	1							
45	2	129155-51500	RACK, CONTROL	1							
46	2	129155-51521	BUSH, RACK	1							
47	2	129155-51530	SPACER	1							
48	2	129155-51540	CIRCLIP	1							
49	2	129155-51550	PINION, CONTROL	3							
50	2	122117-51560	SCREW	3							
51	2	174307-51560	PINION	3							
52	2	129155-51570	PLUG, M12	1							
53	2	129155-51580	O-RING	1							
54	2	129155-51591	SPRING, RACK	1							
55	2	129155-51600	SHIM SET, ADJUSTING	3							
74	2	129155-51700	COVER	1							
75	2	129155-51710	GASKET	1							
76	2	129155-51750	COVER	1							
77	2	129155-51760	GASKET	1							
78	2	129155-51790	STOOPER, RACK	1							
79	2	129156-51910	LABEL, CAUTION	1							
80	2	129155-51930	SPACER, T=3.25	1							
81	2	129155-51940	SPACER, T=1.5	1							
82	2	22217-060000	WASHER, SPRING 6	2							
83	2	22351-050010	PIN, SPRING 5.0X10	2							
84	2	24101-063034	BEARING, BALL 6303	1							
85	2	24341-000160	O-RING, 1AS16.0	1							
86	2	26022-050102	SCREW, M5X10	8							
87	2	26022-060162	SCREW, M6X16	4							

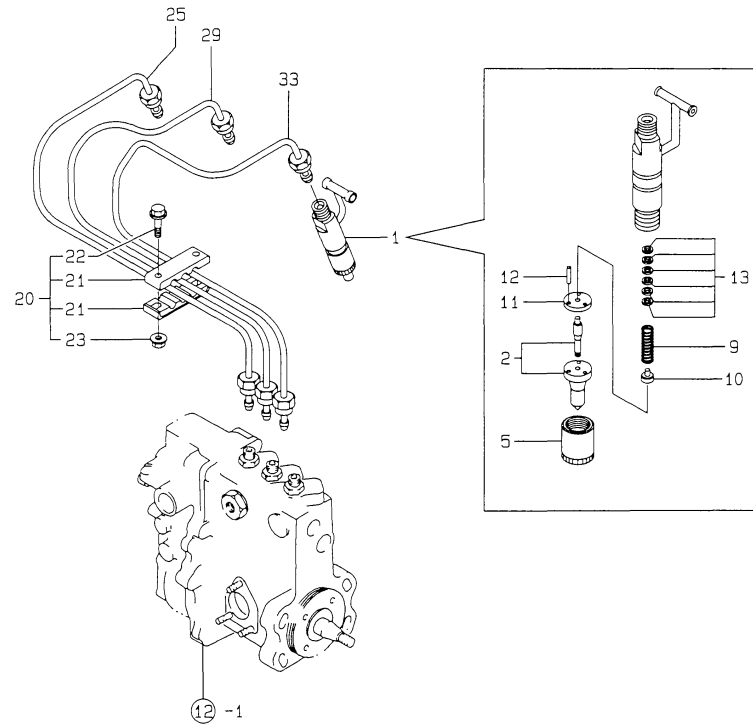
Remarks

(1) GOVERNOR ASSY (FIG.NO.17) IS INCORPORATED IN THIS FUEL INJECTION PUMP ASSY (REF.NO.1)

Fig.15. FUEL INJECTION PUMP

Y00D4540
3TN100L-MK

D19000-53100
D19000-59100



(A)=3TN84L-RGL
(B)=4TN84L-RGL
(C)=4TN84TL-RGL

(D)=
(E)=
(F)=

No.	Lev.	Parts No.	Description	Q'ty						I	R
				(A)	(B)	(C)	(D)	(E)	(F)		
88	2	26116-050302	BOLT, M5X 30 PLATED	2							
89	2	26716-060002	NUT, M6	2							
90	2	43400-500490	SEAL WASHER 16S	1							
93	2	129155-52050	GASKET	1							
94	2	129100-52200	COVER	1							

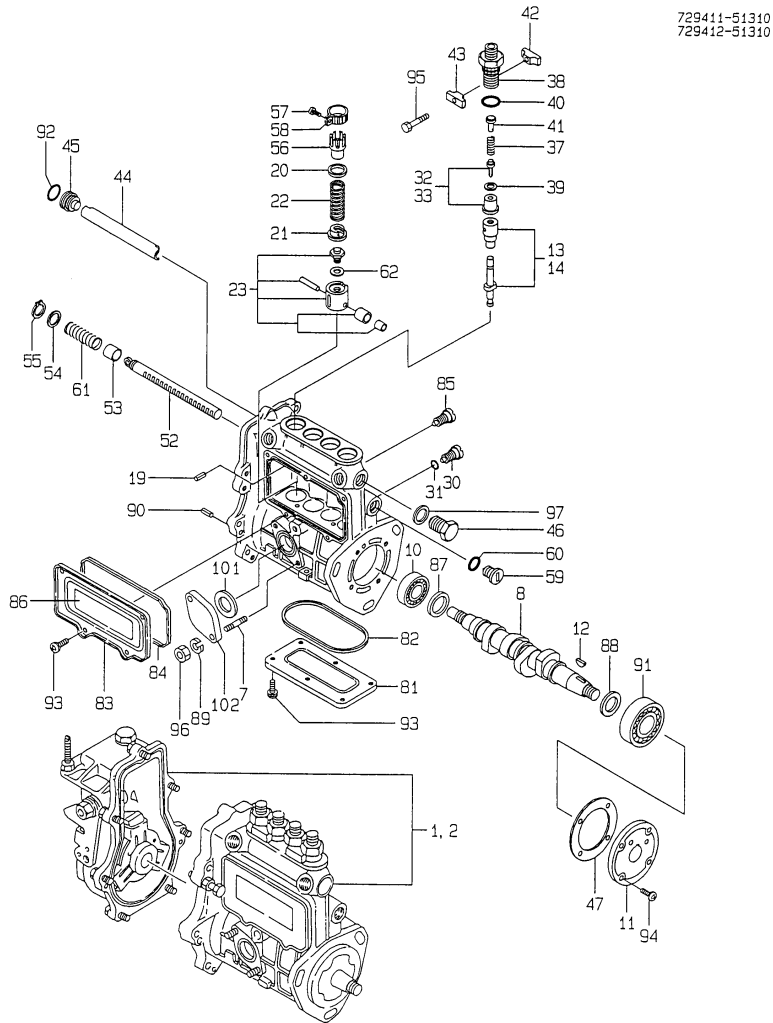
Remarks
(1) GOVERNOR ASSY (FIG.NO.17) IS
INCORPORATED IN THIS FUEL
INJECTION PUMP ASSY (REF.NO.1)

Fig.16. FUEL INJECTION PUMP

(A)=3TN84L-RGL
 (B)=4TN84L-RGL
 (C)=4TN84TL-RGL

(D)=
 (E)=
 (F)=

Y00D4620
 3. 47N84 (T) L-GL



No.	Lev.	Parts No.	Description	Q'ty						I	R
				(A)	(B)	(C)	(D)	(E)	(F)		
1	1	729411-51310	PUMP ASSY, INJECTION		1						1
2	1	729412-51310	PUMP ASSY, INJECTION			1					1
7	2	129155-51020	STUD		2	2					
8	2	129506-51040	CAMSHAFT		1	1					
10	2	129155-51050	BEARING, 17BM001D		1	1					
11	2	129155-51060	SUPPORT, CAMSHAFT		1	1					
12	2	122710-51090	KEY		1	1					
13	2	129400-51100	PLUNGER ASSY		4						
14	2	129470-51101	PLUNGER ASSY			4					
19	2	129155-51140	PIN		4	4					
20	2	174307-51170	RETAINER, SPRING A		4	4					
21	2	129155-51180	RETAINER, SPRING		4	4					
22	2	124950-51190	SPRING, PLUNGER		4	4					
23	2	129155-51200	TAPPET ASSY		4	4					
30	2	129155-51270	STOPPER, TAPPET		4	4					
31	2	129155-51280	O-RING, S6		4	4					
32	2	128170-51300	VALVE ASSY, DELIVERY		4						
33	2	129100-51300	VALVE ASSY, DELIVERY			4					
37	2	129155-51320	SPRING, DELIVERY		4	4					
38	2	129155-51340	RETAINER		4	4					
39	2	124550-51350	GASKET, DELIVERY		4	4					
40	2	124550-51370	O-RING		4	4					
41	2	129155-51370	STOPPER, VALVE		4	4					
42	2	129155-51380	STOPPER		2	2					
43	2	129155-51390	STOPPER		2	2					
44	2	129555-51400	DEFLECTOR		1	1					
45	2	129155-51410	BOLT		1	1					
46	2	129155-51420	PLUG, M16		1	1					
47	2	129155-51450	SHIM SET, ADJUSTING		1	1					
52	2	129555-51500	RACK, CONTROL		1	1					
53	2	129155-51521	BUSH, RACK		1	1					
54	2	129155-51530	SPACER		1	1					
55	2	129155-51540	CIRCLIP		1	1					
56	2	129155-51550	PINION, CONTROL		4	4					
57	2	122117-51560	SCREW		4	4					
58	2	174307-51560	PINION		4	4					
59	2	129155-51570	PLUG, M12		1	1					
60	2	129155-51580	O-RING		1	1					
61	2	129155-51591	SPRING, RACK		1	1					
62	2	129155-51600	SHIM SET, ADJUSTING		4	4					
81	2	129555-51700	COVER		1	1					
82	2	129555-51710	GASKET		1	1					
83	2	129555-51750	COVER		1	1					
84	2	129555-51760	GASKET		1	1					
85	2	129155-51790	STOPPER, RACK		1	1					
86	2	129156-51910	LABEL, CAUTION		1	1					
87	2	129155-51930	SPACER, T=3.25		1	1					
88	2	129155-51940	SPACER, T=1.5		1	1					
89	2	22217-060000	WASHER, SPRING 6		2	2					
90	2	22351-050010	PIN, SPRING 5.0X10		2	2					
91	2	24101-063034	BEARING, BALL 6303		1	1					

Remarks
 (1) GOVERNOR ASSY (FIG.NO.17) IS
 INCORPORATED IN THIS FUEL
 INJECTION PUMP ASSY (REF.NO.1,2)

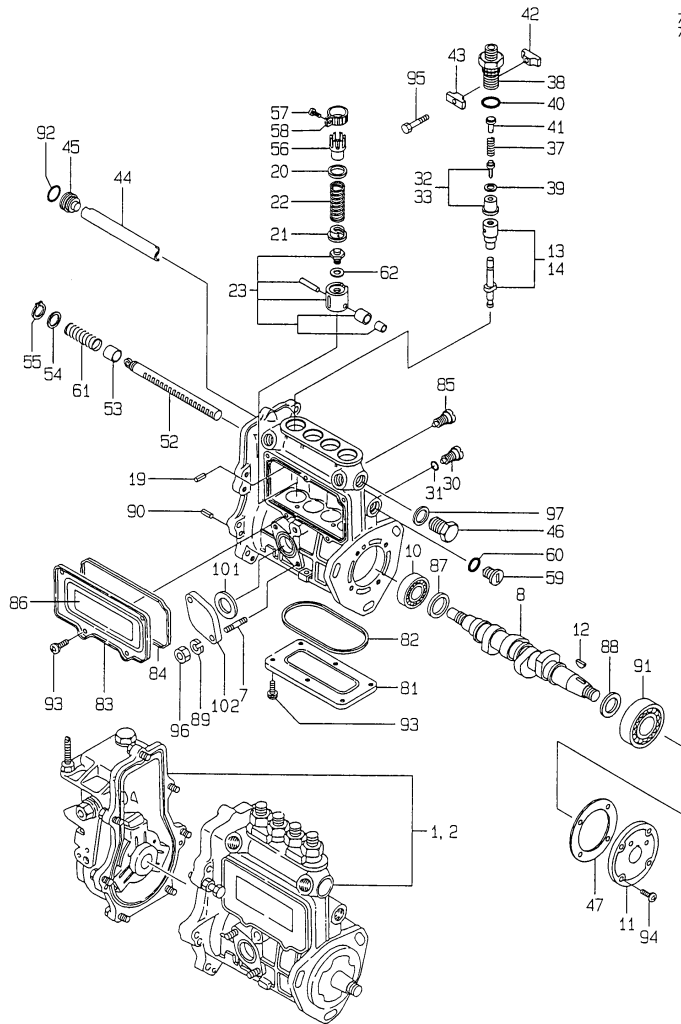
Fig.16. FUEL INJECTION PUMP

(A)=3TN84L-RGL
 (B)=4TN84L-RGL
 (C)=4TN84TL-RGL

(D)=
 (E)=
 (F)=

Y00D4620
 3. 47N84 (T) L-GI

729411-51310
 729412-51310



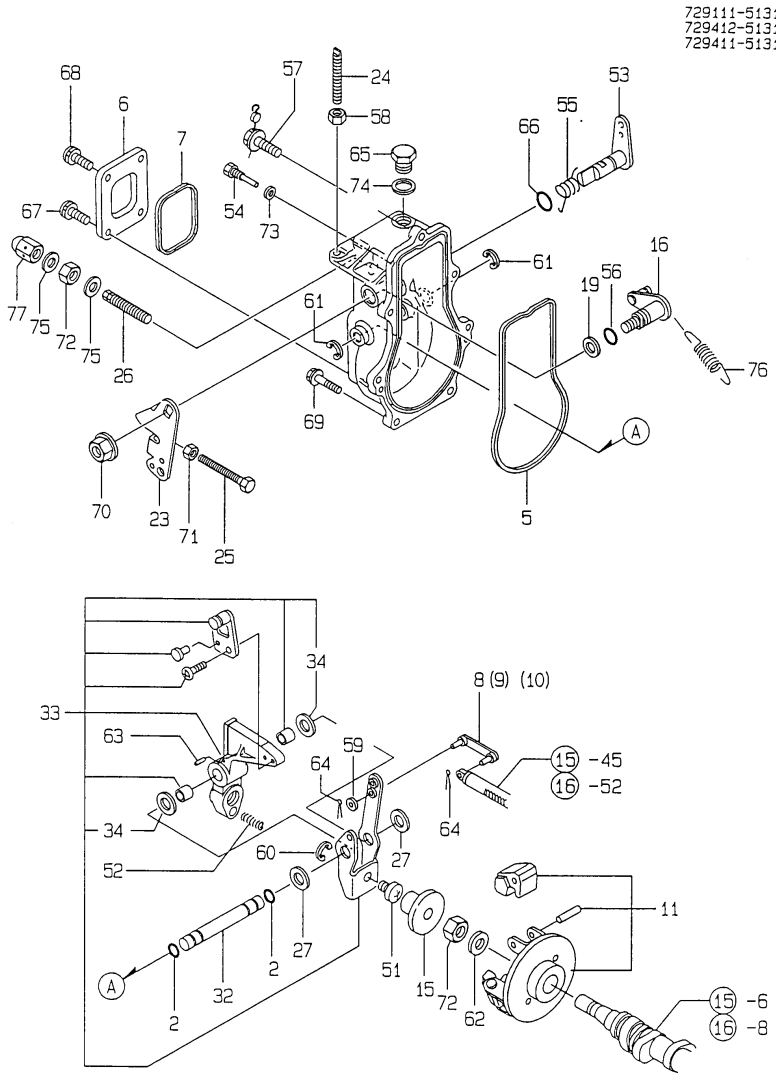
No.	Lev.	Parts No.	Description	Q'ty						I	R
				(A)	(B)	(C)	(D)	(E)	(F)		
92	2	24341-000160	O-RING, 1AS16.0		1	1					
93	2	26022-050102	SCREW, M5X10		11	11					
94	2	26022-060162	SCREW, M6X16		4	4					
95	2	26116-050302	BOLT, M5X 30 PLATED		2	2					
96	2	26716-060002	NUT, M6		2	2					
97	2	43400-500490	SEAL WASHER 16S		1	1					
101	2	129155-52050	GASKET		1	1					
102	2	129100-52200	COVER		1	1					

Remarks

(1) GOVERNOR ASSY (FIG.NO.17) IS INCORPORATED IN THIS FUEL INJECTION PUMP ASSY (REF.NO.1,2)

Fig.17. GOVERNOR

Y0004620
3, 4TN84 (T) L-GL



(A)=3TN84L-RGL
(B)=4TN84L-RGL
(C)=4TN84TL-RGL

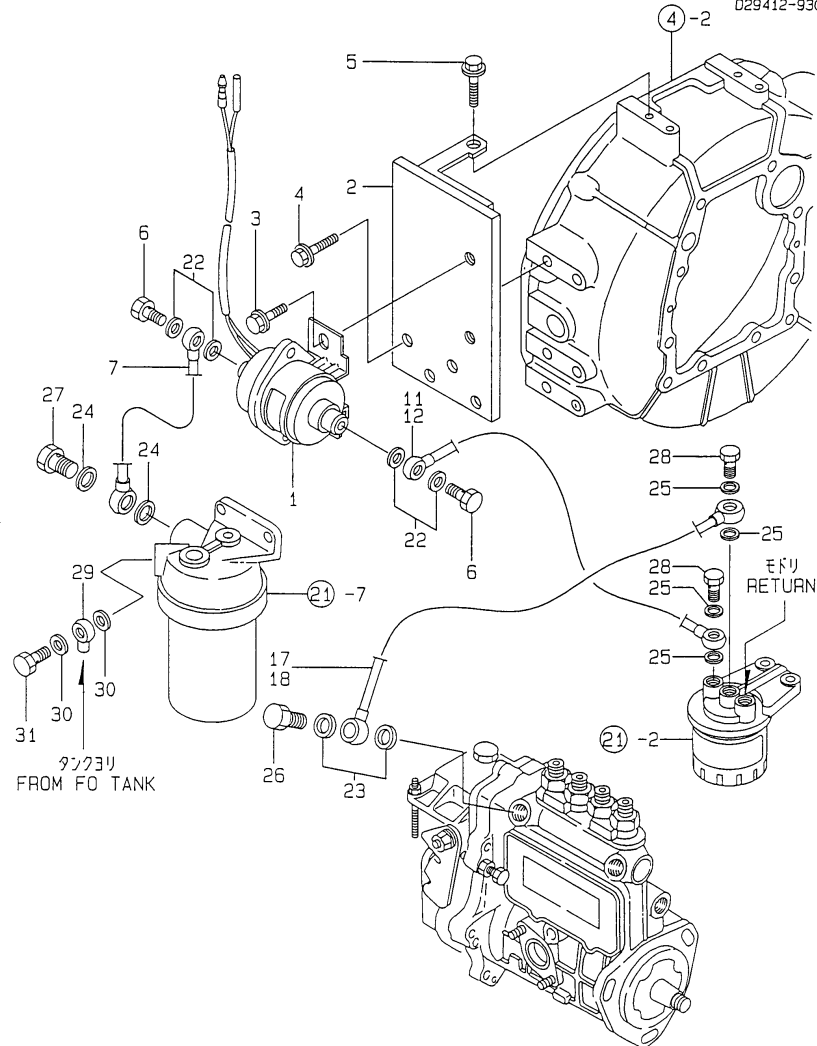
(D)=
(E)=
(F)=

No.	Lev.	Parts No.	Description	Q'ty						I	R
				(A)	(B)	(C)	(D)	(E)	(F)		
2	2	129155-51280	O-RING, S6	2	2	2					
5	2	129155-61050	GASKET	1	1	1					
6	2	129155-61060	COVER, GOVERNOR CASE	1	1	1					
7	2	129155-61070	GASKET	1	1	1					
8	2	129155-61120	LINK, L=30 MARK 0	1	1	1					
9	2	129155-61130	LINK, L=31 MARK 1	1	1	1					
10	2	129155-61140	LINK, L=30.5 MARK 05	1	1	1					
11	2	171488-61200	WEIGHT ASSY,GOVERNOR	1	1	1					
15	2	129155-61341	SLEEVE	1	1	1					
16	2	129100-61400	SHAFT ASSY	1	1	1					
19	2	129155-61430	SPACER	1	1	1					
23	2	171488-61440	LEVER, CONTROL	1	1	1					
24	2	129155-61450	BOLT, LIMITER	1	1	1					
25	2	129155-61460	BOLT, IDLE	1	1	1					
26	2	129155-61470	BOLT, CONTROL	1	1	1					
27	2	129155-61480	SPACER ASSY	2	2	2					
32	2	129155-61490	SHAFT	1	1	1					
33	2	129100-61501	LEVER ASSY, GOVERNOR	1	1	1					
34	3	174307-51700	SHIM SET	2	2	2					
51	2	129155-61540	SHIFTER	1	1	1					
52	2	129500-61650	SPRING, FUEL CONTROL	1	1	1					
53	2	129400-61801	LEVER, STOP	1	1	1					
54	2	129155-61810	PIN	1	1	1					
55	2	129100-61821	SPRING, RETURN	1	1	1					
56	2	129155-61830	O-RING, S10	1	1	1					
57	2	129155-61950	BOLT	1	1	1					
58	2	124550-66370	NUT, M6	1	1	1					
59	2	22117-040000	WASHER, 4	1	1	1					
60	2	22272-000040	RING, E- 4	1	1	1					
61	2	22272-000060	RING, E- 6	2	2	2					
62	2	22287-120000	WASHER, 12	1	1	1					
63	2	22351-030016	PIN, SPRING 3.0X16	1	1	1					
64	2	22372-040000	PIN, SNAP 4	2	2	2					
65	2	23887-100002	PLUG, 10	1	1	1					
66	2	24311-240100	O-RING, 1AP10A	1	1	1					
67	2	26022-050102	SCREW, M5X10	2	2	2					
68	2	26023-050102	SCREW, M5X10	2	2	2					
69	2	26106-060202	BOLT, M6X 20 PLATED	6	6	6					
70	2	26366-080002	NUT, M8	1	1	1					
71	2	26756-060002	NUT, LOCK M6	1	1	1					
72	2	26776-120002	NUT, LOCK M12	2	2	2					
73	2	43400-500390	SEAL WASHER 6S	1	1	1					
74	2	43400-500430	SEAL WASHER 10S	1	1	1					
75	2	43400-500450	SEAL WASHER 12S	2	2	2					
76	1	129477-61720	SPRING, GOVERNOR	1	1	1					
77	1	26687-120002	NUT, CAP M12	1	1	1					

Fig.18. FUEL PIPES

Y00D4620
3, 4TN84 (T) L-GL

029111-52100
029111-59200
029411-59220
029111-93050
029411-93050
029412-93050



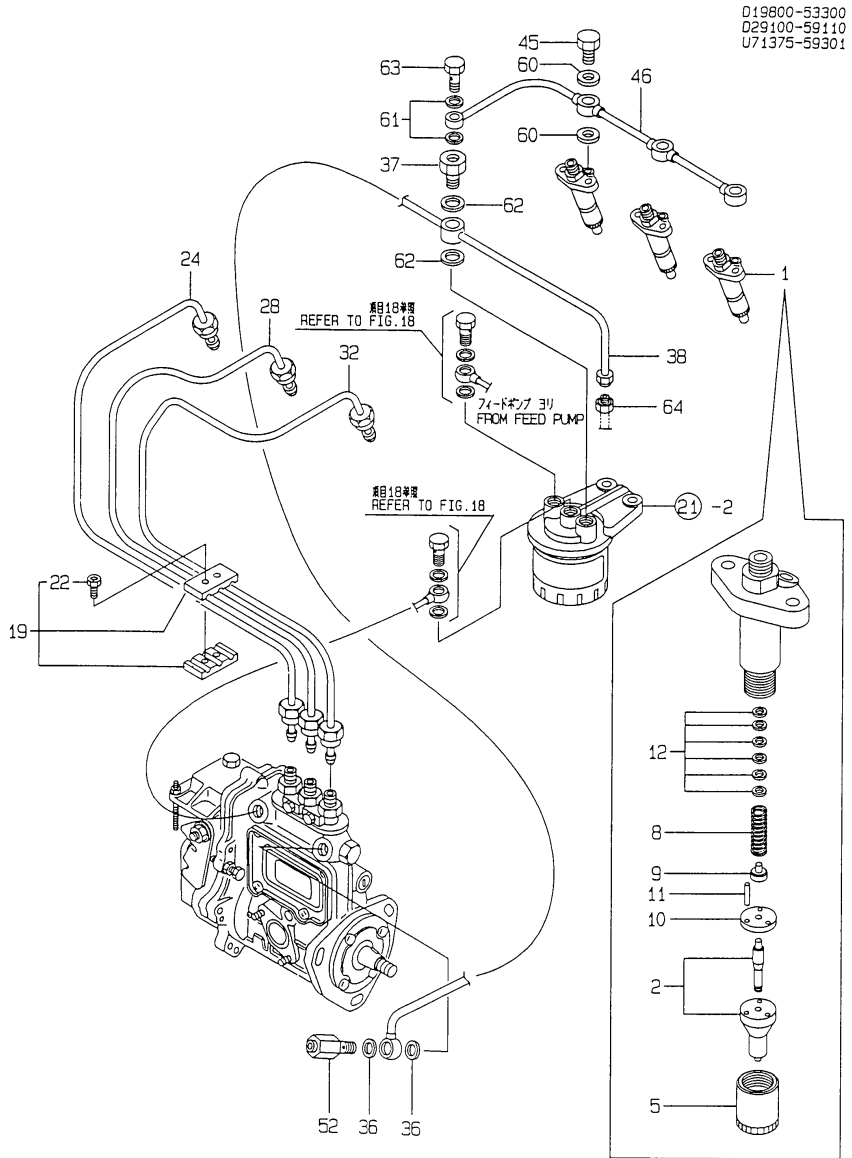
(A)=3TN84L-RGL
(B)=4TN84L-RGL
(C)=4TN84TL-RGL

(D)=
(E)=
(F)=

No.	Lev.	Parts No.	Description	Qty						I	R
				(A)	(B)	(C)	(D)	(E)	(F)		
1	1	124790-52201	PUMP ASSY, FUEL FEED	1	1	1					
2	1	129111-52500	BRACKET, PUMP	1	1	1					
3	1	26106-060102	BOLT, M6X 10 PLATED	2	2	2					
4	1	26106-080162	BOLT, M8X 16 PLATED	2	2	2					
5	1	26106-100162	BOLT, M10X 16 PLATED	1	1	1					
6	1	105582-59150	BOLT, PIPE JOINT	2	2	2					
7	1	171375-59500	PIPE ASSY, FUEL	1	1	1					
11	1	129111-59510	PIPE ASSY, FUEL	1							
12	1	129411-59600	PIPE ASSY, FUEL		1	1					
17	1	171375-59521	PIPE ASSY, FUEL	1							
18	1	129411-59521	PIPE ASSY, FUEL		1	1					
22	1	23414-080012	GASKET, 8X1.0	4	4	4					
23	1	23414-120000	GASKET, 12X1.0	2	2	2					
24	1	23414-120000	GASKET, 12X1.0	2	2	2					
25	1	23414-120000	GASKET, 12X1.0	4	4	4					
26	1	23857-060000	BOLT, JOINT 6	1	1	1					
27	1	23857-060000	BOLT, JOINT 6	1	1	1					
28	1	23857-060000	BOLT, JOINT 6	2	2	2					
29	1	103854-39540	JOINT, PIPE	1	1	1					
30	1	23414-120000	GASKET, 12X1.0	2	2	2					
31	1	23857-060000	BOLT, JOINT 6	1	1	1					

Fig.19. FUEL INJECTION VALVE

Y0004620
3. 4TN84 (T) L-GL



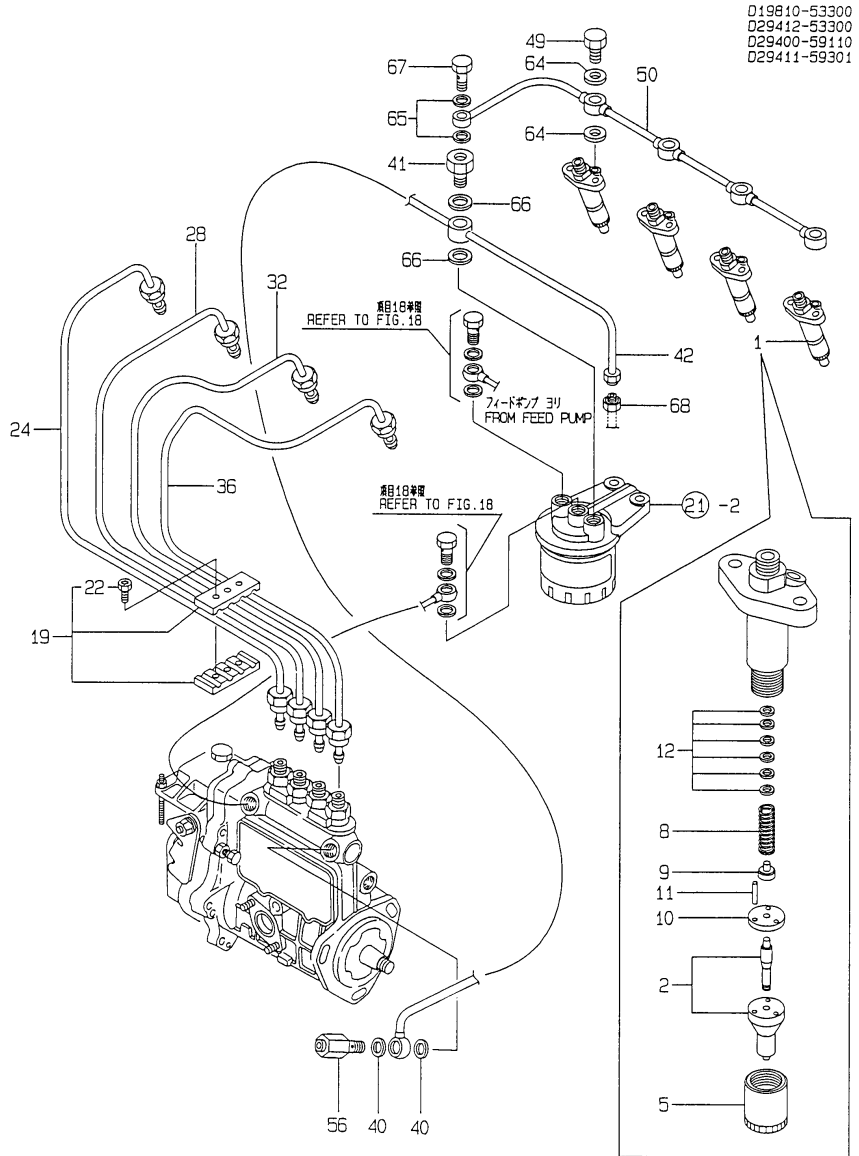
(A)=3TN84L-RGL
(B)=4TN84L-RGL
(C)=4TN84TL-RGL

(D)=
(E)=
(F)=

No.	Lev.	Parts No.	Description	Qty						I	R
				(A)	(B)	(C)	(D)	(E)	(F)		
1	1	719800-73100	VALVE ASSY,INJECTION	3							
2	2	119800-53000	VALVE ASSY,INJECTION	3							
5	2	114250-53080	NUT, NOZZLE D16.95	3							
8	2	114250-53120	SPRING, NOZZLE	3							
9	2	114250-53130	SEAT, SPRING	3							
10	2	114250-53140	PLATE	3							
11	2	114250-53210	PIN	6							
12	2	114250-53400	SHIM SET	3							
19	1	129150-59120	RETAINER, PIPE	1							
22	2	129150-59130	BOLT, M4X12	2							
24	1	129100-59910	PIPE ASSY, INJECTION	1							
28	1	129100-59920	PIPE ASSY, INJECTION	1							
32	1	129100-59930	PIPE ASSY, INJECTION	1							
36	1	104200-59170	GASKET, 12	2							
37	1	129495-59300	BOLT, PIPE JOINT	1							
38	1	171375-59530	PIPE ASSY, FUEL	1							
45	1	129491-59540	BOLT, PIPE JOINT M6	3							
46	1	171375-59551	PIPE ASSY, RETURN	1							
52	1	129100-59951	VALVE ASSY, CHECK	1							
60	1	23414-060000	GASKET, 6X1.0	6							
61	1	23414-080012	GASKET, 8X1.0	2							
62	1	23414-140000	GASKET, 14X1.0	2							
63	1	23851-030000	JOINT BOLT 3	1							
64	1	43551-001451	UNION 8(M)	1							

Fig.20. FUEL INJECTION VALVE

Y0004620
3. 4TN84 (T) L-GL



(A)=3TN84L-RGL
(B)=4TN84L-RGL
(C)=4TN84TL-RGL

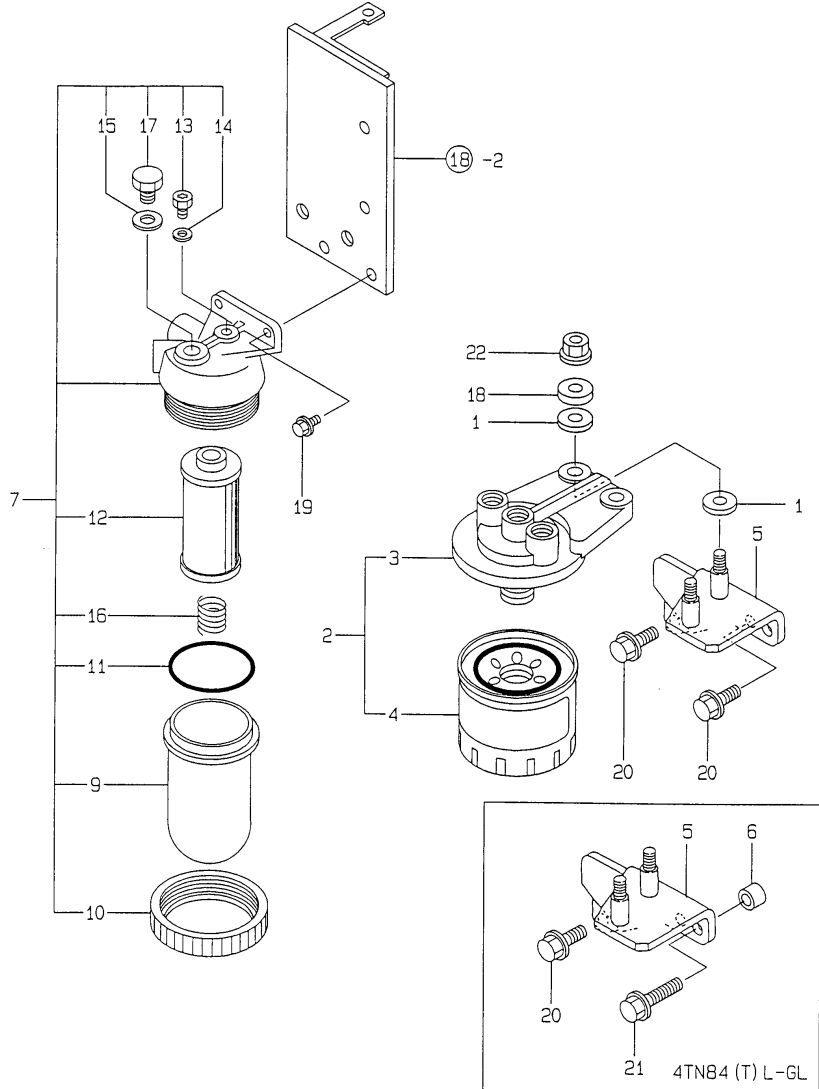
(D)=
(E)=
(F)=

No.	Lev.	Parts No.	Description	Qty						I	R	
				(A)	(B)	(C)	(D)	(E)	(F)			
1A	1	719810-53300	VALVE ASSY,INJECTION		4							
1B	1	729412-53300	VALVE ASSY,INJECTION				4					
2A	2	119810-53000	VALVE ASSY,INJECTION		4							
2B	2	129503-53000	VALVE ASSY,INJECTION					4				
5	2	114250-53080	NUT, NOZZLE D16.95		4	4						
8	2	114250-53120	SPRING, NOZZLE		4	4						
9	2	114250-53130	SEAT, SPRING		4	4						
10	2	114250-53140	PLATE		4	4						
11	2	114250-53210	PIN		8	8						
12	2	114250-53400	SHIM SET		4	4						
19	1	129550-59120	RETAINER, PIPE		1	1						
22	2	129150-59130	BOLT, M4X12		2	2						
24	1	129400-59910	PIPE ASSY, INJECTION		1	1						
28	1	129400-59920	PIPE ASSY, INJECTION		1	1						
32	1	129400-59930	PIPE ASSY, INJECTION		1	1						
36	1	129400-59940	PIPE ASSY, INJECTION		1	1						
40	1	104200-59170	GASKET, 12		2	2						
41	1	129495-59300	BOLT, PIPE JOINT		1	1						
42	1	129411-59530	PIPE ASSY, FUEL		1	1						
49	1	129491-59540	BOLT, PIPE JOINT M6		4	4						
50	1	129411-59551	PIPE ASSY, RETURN		1	1						
56	1	129100-59951	VALVE ASSY, CHECK		1	1						
64	1	23414-060000	GASKET, 6X1.0		8	8						
65	1	23414-080012	GASKET, 8X1.0		2	2						
66	1	23414-140000	GASKET, 14X1.0		2	2						
67	1	23851-030000	JOINT BOLT 3		1	1						
68	1	43551-001451	UNION 8(M)		1	1						

Fig.21. FUEL FILTER

Y00D4620
3, 4TN84 (T) L-GL

U71375-55101
029411-55101



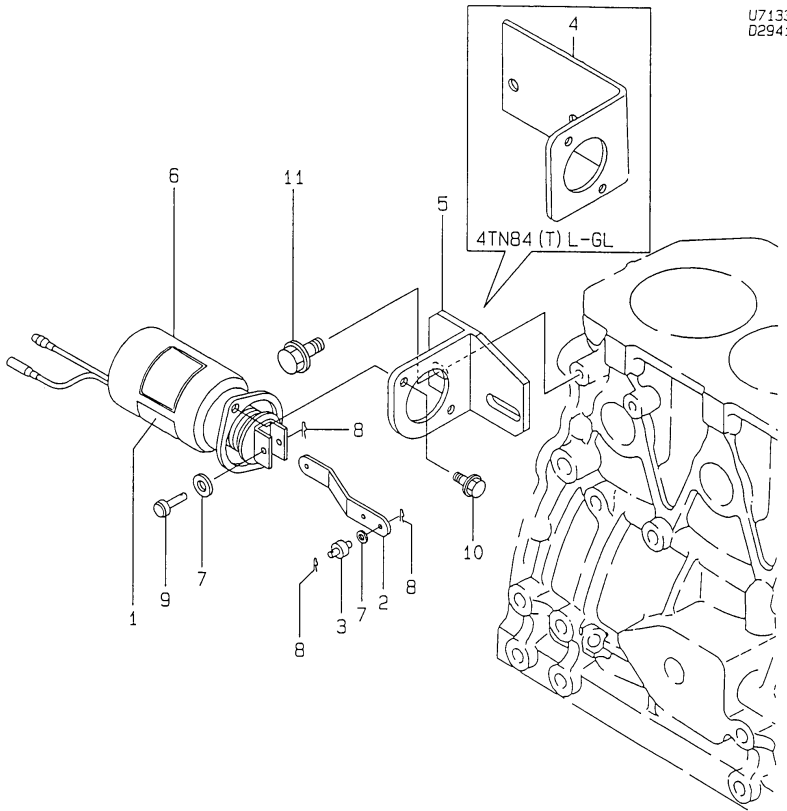
(A)=3TN84L-RGL
(B)=4TN84L-RGL
(C)=4TN84TL-RGL

(D)=
(E)=
(F)=

No.	Lev.	Parts No.	Description	Qty						I	R
				(A)	(B)	(C)	(D)	(E)	(F)		
1	1	160610-55460	INSULATOR	4	4	4					
2	1	129470-55601	FILTER ASSY, FUEL	1	1	1					
3	2	129470-55610	BODY, STRAINER	1	1	1					
4	2	129470-55701	STRAINER ASSY, FUEL	1	1	1					
5	1	171375-55612	BRACKET, STRAINER	1	1	1					
6	1	129411-55690	SPACER		1	1					
7	1	171081-55900	FILTER ASSY, PRE	1	1	1					
9	2	121370-55730	CUP, STRAINER	1	1	1					
10	2	110250-55610	RING, RETAINING	1	1	1					
11	2	103854-32050	O-RING	1	1	1					
12	2	171081-55910	SCREEN	1	1	1					
13	2	101720-55750	PLUG, 6	1	1	1					
14	2	23418-060000	GASKET, 6X1.0	1	1	1					
15	2	23414-080012	GASKET, 8X1.0	1	1	1					
16	2	121257-55720	SPRING	1	1	1					
17	2	101720-55750	PLUG, 6	1	1	1					
18	1	121236-77340	SPACER	2	2	2					
19	1	26106-060142	BOLT, M6X 14 PLATED	2	2	2					
20	1	26106-080162	BOLT, M8X 16 PLATED	2	1	1					
21	1	26106-080302	BOLT, M8X 30 PLATED		1	1					
22	1	26366-080002	NUT, M8	2	2	2					

Fig.22. ENGINE STOPPING DEVICE

Y00D4620
3, 4TN84 (T) L-GL



U71335-65100
029411-65100

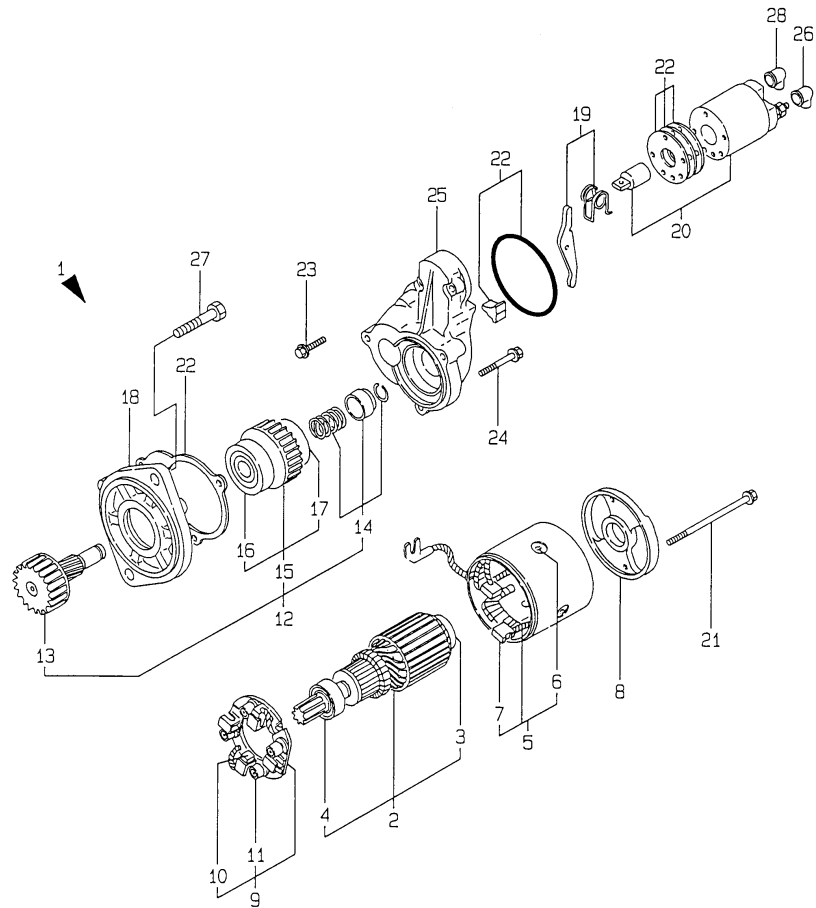
(A)=3TN84L-RGL
(B)=4TN84L-RGL
(C)=4TN84TL-RGL

(D)=
(E)=
(F)=

No.	Lev.	Parts No.	Description	Q'ty						I	R
				(A)	(B)	(C)	(D)	(E)	(F)		
1	1	171010-65100	LABEL	1	1	1					
2	1	171335-65110	LINK, SOLENOID	1	1	1					
3	1	171335-65120	PIN	1	1	1					
4	1	129410-65130	BRACKET, SOLENOID		1	1					
5	1	171335-65130	BRACKET, SOLENOID	1							
6	1	171335-77951	SOLENOID, MAGNETIC	1	1	1					
7	1	22117-050000	WASHER, 5	1	1	1					
8	1	22360-050000	SNAP PIN 5	3	3	3					
9	1	22487-050160	PIN, H 5X 16	1	1	1					
10	1	26106-060122	BOLT, M6X 12 PLATED	2	2	2					
11	1	26106-080142	BOLT, M8X 14 PLATED	2	2	2					

Fig.23. STARTING MOTOR

Y00D4620
3. 4TN84 (T) L-GL



019810-77120
029400-77130
029111-93050
029411-93050
029412-93050

(A)=3TN84L-RGL
(B)=4TN84L-RGL
(C)=4TN84TL-RGL

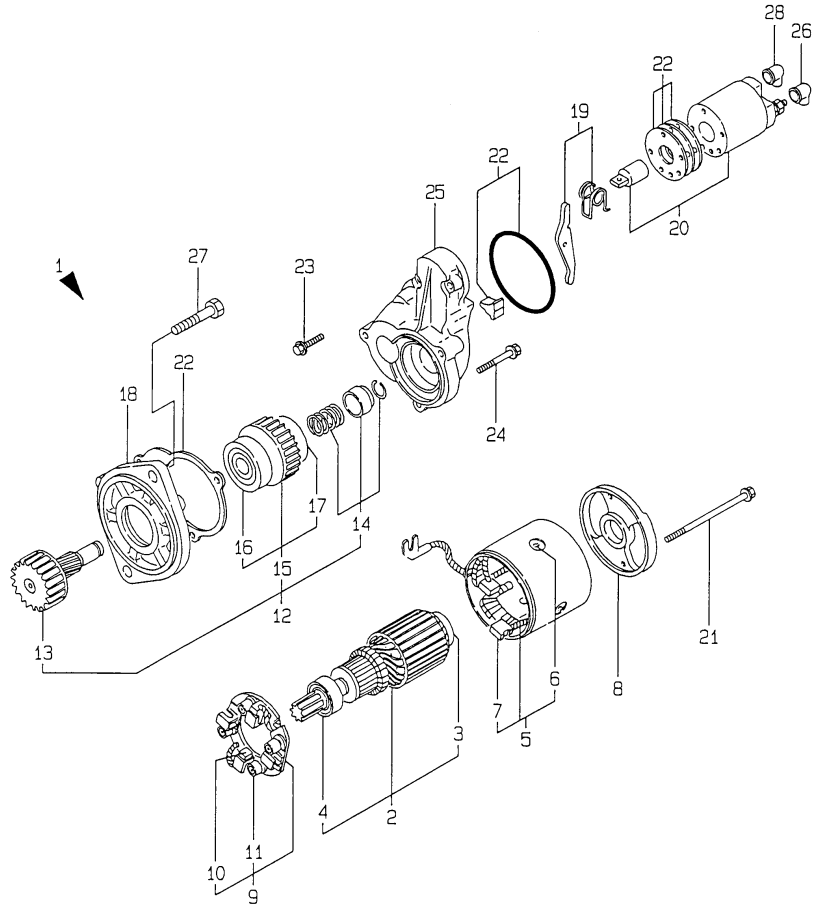
(D)=
(E)=
(F)=

No.	Lev.	Parts No.	Description	Q'ty						I	R
				(A)	(B)	(C)	(D)	(E)	(F)		
1A	1	124976-77011	STARTER, S114-349A	1							
1B	1	129400-77011	STARTER, S13-94A		1	1					
2A	2	X211451007	ARMATURE ASSY	1							
2B	2	129400-77400	ARMATURE ASSY		1	1					
3A	3	X211415502	BEARING, BALL	1							
3B	3	171008-77410	BEARING		1	1					
4A	3	X211425502	BEARING, BALL	1							
4B	3	171008-77420	BEARING		1	1					
5A	2	X211472106	COIL ASSY, FIELD	1							
5B	2	129400-77440	COIL ASSY, FIELD		1	1					
6A	3	X21148215	SCREW, POLE CORE	4							
6B	3	171008-77450	SCREW		4	4					
7A	3	X21143315	BRUSH (+)	2							
7B	3	129400-77460	BRUSH (+)		2	2					
8A	2	X211483003	COVER	1							
8B	2	129400-77510	COVER, REAR		1	1					
9A	2	X211429007	HOLDER ASSY, BRUSH	1							
9B	2	129400-77470	HOLDER ASSY, BRUSH		1	1					
10A	3	X211459002	BRUSH (-)	2							
10B	3	129400-77480	BRUSH (-)		2	2					
11A	3	X21148314	SPRING, BRUSH	4							
11B	3	129400-77490	SPRING		4	4					
12A	2	X211415505	CLUTCH ASSY	1							
12B	2	171008-77650	PINION ASSY		1	1					
13A	3	X211495009	SHAFT	1							
13B	3	171008-77660	SHAFT		1	1					
14A	3	X211429006	STOPPER SET	1							
14B	3	171008-77670	STOPPER SET		1	1					
15A	3	X211425505	CLUTCH ASSY	1							
15B	3	171008-77720	CLUTCH ASSY		1	1					
16A	4	X211435502	BALL BEARING	1							
16B	4	171008-77730	BEARING, BALL		1	1					
17A	4	X211445502	BALL BEARING	1							
17B	4	171008-77740	BEARING		1	1					
18A	2	X211476504	HOUSING ASSY, GEAR	1							
18B	2	171008-77510	CASE, GEAR		1	1					
19A	2	X21146012	LEVER, SHIFT	1							
19B	2	171008-77540	LEVER SET		1	1					
20A	2	X211447007	SWITCH, MAGNETIC	1							
20B	2	129400-77530	SWITCH ASSY, MAGNETIC		1	1					
21A	2	X211468005	BOLT, THROUGH	2							
21B	2	129400-77640	BOLT, THROUGH		2	2					
22A	2	X211448004	COVER KIT	1							
22B	2	129400-77570	COVER KIT, DUST		1	1					
23A	2	X21145866	BOLT	2							
23B	2	26106-060322	BOLT, M6X 32 PLATED		2	2					
24A	2	X21142867	BOLT		3						
24B	2	26106-060402	BOLT, M6X 40 PLATED		3	3					
25A	2	X211414501	HOUSING, CENTER	1							
25B	2	129400-77520	HOUSING		1	1					
26	2	171008-77750	COVER		1	1					

Fig.23. STARTING MOTOR

Y00D4620
3. 4TN84 (T) L-GL

019810-77120
029400-77130
029111-93050
029411-93050
029412-93050



(A)=3TN84L-RGL
(B)=4TN84L-RGL
(C)=4TN84TL-RGL

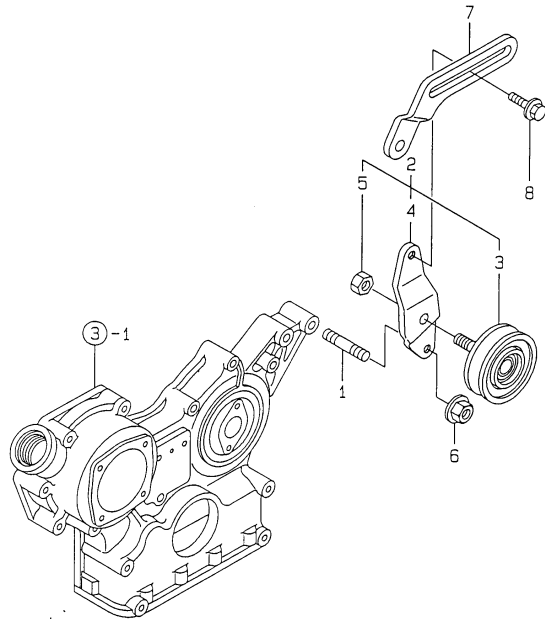
(D)=
(E)=
(F)=

No.	Lev.	Parts No.	Description	Q'ty						I	R
				(A)	(B)	(C)	(D)	(E)	(F)		
27	1	26116-120252	BOLT, M12X 25 PLATED	2	2	2					
28	1	124550-77030	COVER, TERMINAL	1	1	1					

Fig.24. TENSION PULLEY

(A)=3TN84L-RGL (D)=
 (B)=4TN84L-RGL (E)=
 (C)=4TN84TL-RGL (F)=

No.	Lev.	Parts No.	Description	Q'ty						I	R
				(A)	(B)	(C)	(D)	(E)	(F)		
1	1	121450-01570	STUD	1	1	1					
2	1	171375-44300	PULLEY ASSY, TENSION	1	1	1					
3	2	171011-44301	PULLEY, TENSION	1	1	1					
4	2	171375-44320	BRACKET, PULLEY	1	1	1					
5	2	26706-100002	NUT, M10	1	1	1					
6	1	26366-100002	NUT, M10	1	1	1					
7	1	129400-77330	ADJUSTER	1	1	1					
7-1	1	129410-77330	ADJUSTER	1	1	1				F	1
		(A=E71601) (B=E25228) (C=E04245)									
8	1	26014-080252	BOLT, M8X 25	1	1	1					

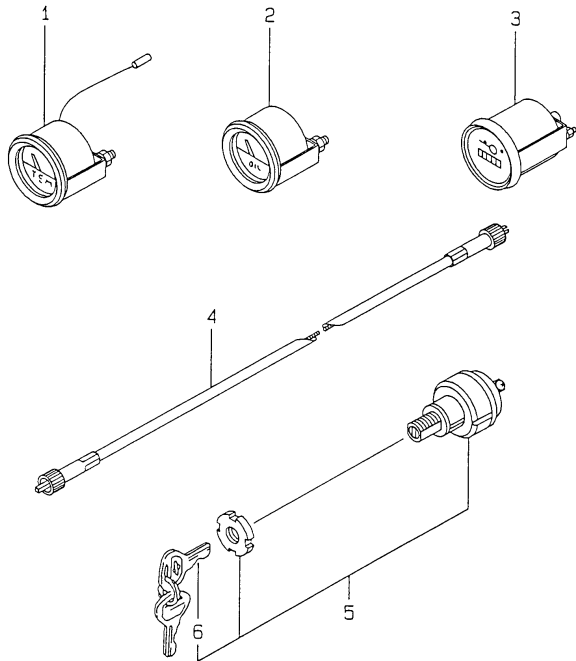


Remarks
 (1) Interchangeable by simultaneous replacement with Fig.13 Ref.No.2-1 and Fig.14 Ref.No.1-1.

Fig.25. ELECTRIC PARTS

Y00D4620
3. 4TN84 (T) L-GL

029111-93050
029411-93050
029412-93050



(A)=3TN84L-RGL
(B)=4TN84L-RGL
(C)=4TN84TL-RGL

(D)=
(E)=
(F)=

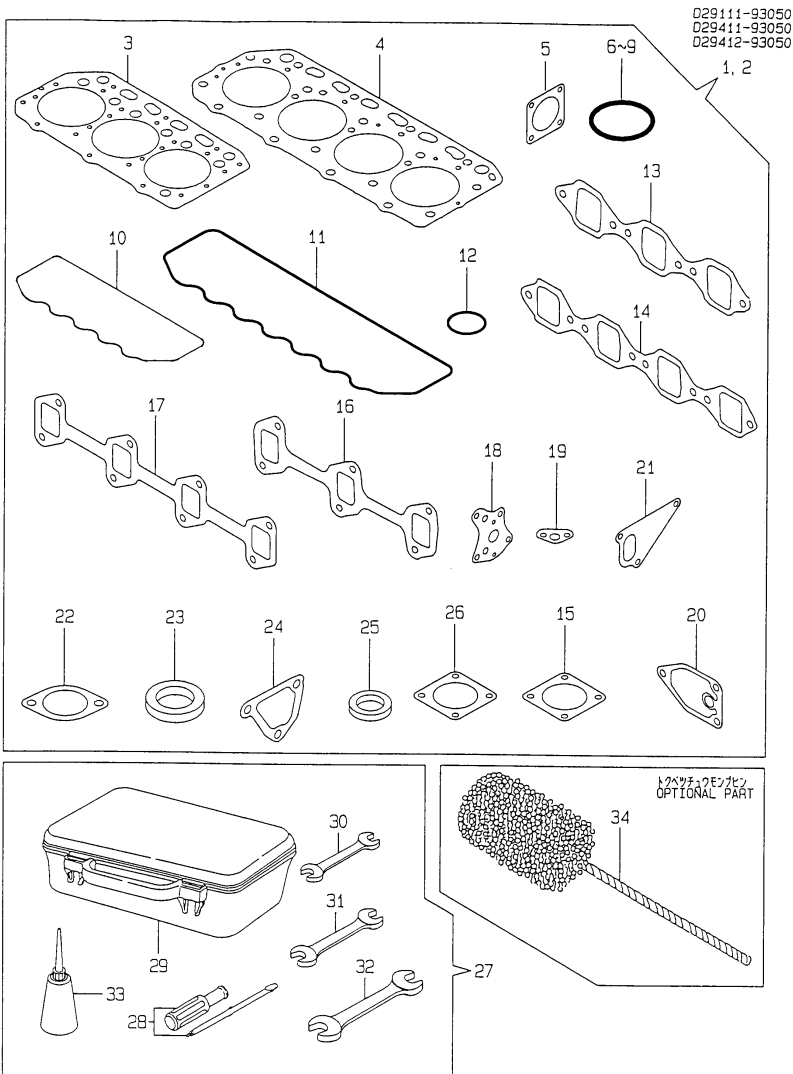
No.	Lev.	Parts No.	Description	Q'ty						I	R
				(A)	(B)	(C)	(D)	(E)	(F)		
1	1	171010-77850	THERMOSTAT	2	2	2					
2	1	171090-91010	GAUGE	1	1	1					
3	1	171011-91100	TACHOMETER	1	1	1					
4	1	121400-91140	SHAFT	1	1	1					
5	1	121400-91251	SWITCH, STARTER	1	1	1					
6	2	121400-91271	KEY, SWITCH	1	1	1					

Fig.26. GASKET SET(OPTIONAL) & TOOLS

(A)=3TN84L-RGL
 (B)=4TN84L-RGL
 (C)=4TN84TL-RGL

(D)=
 (E)=
 (F)=

Y0004620
 3, 4TN84 (T) L-GL



No.	Lev.	Parts No.	Description	Q'ty						I	R
				(A)	(B)	(C)	(D)	(E)	(F)		
1	1	729131-92602	GASKET SET	1							1
2	1	729405-92601	GASKET SET		1	1					1
3	2	129157-01332	GASKET, HEAD	1							
4	2	129405-01330	GASKET, HEAD		1	1					
5	2	124240-01883	GASKET	1	1	1					
6	2	121850-51960	O-RING	1	1	1					
7	2	24311-000320	O-RING, 1AP32.0	1	1	1					
8	2	24341-000500	O-RING, 1AS50.0	1	1	1					
9	2	24311-000320	O-RING, 1AP32.0	1	1	1					
10	2	129150-11310	GASKET, BONNET	1							
11	2	129550-11310	GASKET, BONNET		1	1					
12	2	24311-000120	O-RING, 1AP12.0	3	3	3					
13	2	129150-12111	GASKET, MANIFOLD	1							
14	2	129550-12111	GASKET, MANIFOLD		1	1					
15	2	124450-11900	GASKET	1							
16	2	129150-13110	GASKET	1							
17	2	129550-13110	GASKET		1	1					
18	2	129150-32020	GASKET, PUMP	1	1	1					
19	2	129150-35041	GASKET	1	1	1					
20	2	129150-35111	GASKET	1	1	1					
21	2	129100-42020	GASKET, WATER PUMP	1	1	1					
22	2	129795-49551	GASKET	1	1	1					
23	2	129150-49811	GASKET, THERMOSTAT	1	1	1					
24	2	129100-49840	GASKET	1	1	1					
25	2	124465-44950	GASKET, 16	2	2	2					
26	2	129150-77511	GASKET	1	1	1					
27	1	171001-93100	BOX, TOOL	1	1	1					
28	2	104200-92350	DRIVER, SCREW	1	1	1					
29	2	104200-92600	BOX, TOOL	1	1	1					
30	2	28110-100120	SPANNER, 10X12	1	1	1					
31	2	28110-140170	SPANNER, 14X17	1	1	1					
32	2	28110-190220	SPANNER, 19X22	1	1	1					
33	2	28210-000140	OILER	1	1	1					
34	1	129400-92420	HONE	1	1	1					1

Remarks
 (1) OPTIONAL PART.

Parts No. Index

Parts No.	Fig. No.	Ref. No.
101720-55750	21	13
		17
103338-11190	5	25
	6	32
103854-32050	21	11
103854-39540	18	29
104200-59170	19	36
	20	40
104200-92350	26	28
104200-92600	26	29
105010-39140	12	38
105582-59150	18	6
110250-55610	21	10
114250-53080	19	5
	20	5
114250-53120	19	8
	20	8
114250-53130	19	9
	20	9
114250-53140	19	10
	20	10
114250-53210	19	11
	20	11
114250-53400	19	12
	20	12
119620-01750	4	3
119625-11870	5	43
	6	51
119625-11880	5	44
	6	52
119800-53000	19	2
119810-51040	15	6
119810-53000	20	2 A
119865-35300	12	25
120130-11860	5	12
	6	19
120150-11810	5	14
121100-22400	11	37
121111-21501	11	19
121137-59080	13	44
121236-77340	21	18
121250-44901	13	24
121257-55720	21	16
121370-55730	21	9
121400-11340	5	26
	6	33
121400-91140	25	4
121400-91251	25	5
121400-91271	25	6
121450-01560	3	6

Parts No.	Fig. No.	Ref. No.
121450-01570	24	1
121520-34810	12	13
121550-23200	11	43
121550-49111	13	21
121850-11860	5	16
	6	22
	13	1
121850-21680	11	18
121850-51960	3	12
	26	6
122117-51560	15	50
	16	57
122710-51090	15	10
	16	12
123682-44210	13	31
124097-77900	1	20 -1
	2	24 -1
124160-01751	3	7
	5	60
	6	56
124160-01910	1	4
	2	4
		5
124160-11360	5	58
	6	66
124160-39140	12	39
124160-39450	12	59
124223-39900	12	47
124240-01871	3	8
124240-01883	3	9
	26	5
124250-49351	12	34
124450-11900	8	7
	26	15
124450-44590	13	30
124460-11340	5	27
	6	34
124465-44950	13	27
	26	25
124550-21600	11	26
124550-51350	15	32
	16	39
124550-51370	15	33
	16	40
124550-59820	12	48
124550-66370	17	58
124550-77030	23	28
124732-42290	13	15
124732-59080	13	45
124736-07900	5	5

Parts No.	Fig. No.	Ref. No.
124736-07900	6	6
124766-59050	13	43
124770-11770	14	5
124790-52201	18	1
124950-51190	15	17
	16	22
124976-77011	23	1 A
128170-51300	15	27
	16	32
128270-13620	12	53
129001-42001	13	2 -1
129001-42040	13	50
129100-01580	4	1
		21
	11	4
129100-01640	4	22
129100-01730	4	6
129100-01770	4	10
129100-01790	4	15
129100-11100	5	21
	6	27
129100-11110	5	22
	6	28
129100-11130	6	29
129100-11240	5	31
129100-11350	5	47
129100-11650	5	38
	6	45
129100-13110	8	9
129100-23910	11	42
129100-25061	10	12
129100-35301	12	17
129100-42002	13	2
129100-42020	13	13
	26	21
129100-49050	13	22
129100-49820	14	7
129100-49830	14	8
129100-49840	13	51
	14	11
	26	24
129100-51300	16	33
129100-52200	15	94
	16	102
129100-59910	19	24
129100-59920	19	28
129100-59930	19	32
129100-59951	19	52
	20	56
129100-61400	17	16

Parts No.	Fig. No.	Ref. No.
129100-61501	17	33
129100-61821	17	55
129105-22080	11	27
129105-22090	11	28
129105-22500	11	30
129105-22920	11	60
129105-22970	11	62
129111-44560	13	32
129111-52500	18	2
129111-59510	18	11
129129-14580	10	3
129132-49050	13	22 -1
		22 -2
129150-01200	1	21
	2	25
129150-02020	1	9
	2	13
129150-02450	10	5
129150-02800	1	12
	2	16
129150-02870	1	23
	2	27
129150-02930	1	15
	2	19
129150-02940	1	26
	2	30
129150-03020	5	49
	6	57
129150-03070	5	50
	6	58
129150-03080	5	51
	6	59
129150-03090	5	1
	6	1
129150-03100	3	11
129150-11230	5	39
	6	46
129150-11280	5	34
	6	41
129150-11290	5	35
129150-11310	5	54
	26	10
129150-11370	5	28
	6	35
129150-11750	5	41
	6	48
129150-11810	6	21
129150-12100	7	5
129150-12111	7	6
	26	13

Parts No. Index

Parts No.	Fig. No.	Ref. No.
129150-13110	8	10
	26	16
129150-14101	10	10
129150-14200	10	1
129150-14400	10	2
129150-21200	11	11
129150-21650	11	15
129150-22300	11	36
129150-23600	11	44
129150-23610	11	58
129150-25101	10	13
129150-25900	10	18
129150-25920	10	16
129150-32000	12	1
129150-32020	12	11
	26	18
129150-35041	12	15
	26	19
129150-35042	12	15 -1
129150-35111	12	23
	26	20
129150-35150	12	24
129150-35350	12	33
129150-39450	12	40
129150-49080	13	39
129150-49100	13	38
129150-49360	12	35
129150-49811	14	10
	26	23
129150-59120	19	19
129150-59130	19	22
	20	22
129150-77511	7	18
	26	26
129150-91400	3	25
129155-11260	5	32
	6	39
129155-11270	5	33
	6	40
129155-42350	13	16
129155-49800	14	3
129155-51020	15	5
	16	7
129155-51050	15	8
	16	10
129155-51060	15	9
	16	11
129155-51140	15	14
	16	19
129155-51180	15	16

Parts No.	Fig. No.	Ref. No.
129155-51180	16	21
129155-51200	15	18
	16	23
129155-51270	15	25
	16	30
129155-51280	15	26
	16	31
	17	2
129155-51320	15	30
	16	37
129155-51340	15	31
	16	38
129155-51370	15	34
	16	41
129155-51380	15	35
	16	42
129155-51390	15	36
	16	43
129155-51400	15	37
129155-51410	15	38
	16	45
129155-51420	15	39
	16	46
129155-51450	15	40
	16	47
129155-51500	15	45
129155-51521	15	46
	16	53
129155-51530	15	47
	16	54
129155-51540	15	48
	16	55
129155-51550	15	49
	16	56
129155-51570	15	52
	16	59
129155-51580	15	53
	16	60
129155-51591	15	54
	16	61
129155-51600	15	55
	16	62
129155-51700	15	74
129155-51710	15	75
129155-51750	15	76
129155-51760	15	77
129155-51790	15	78
	16	85
129155-51930	15	80
	16	87

Parts No.	Fig. No.	Ref. No.
129155-51940	15	81
	16	88
129155-52050	15	93
	16	101
129155-61050	17	5
129155-61060	17	6
129155-61070	17	7
129155-61120	17	8
129155-61130	17	9
129155-61140	17	10
129155-61341	17	15
129155-61430	17	19
129155-61450	17	24
129155-61460	17	25
129155-61470	17	26
129155-61480	17	27
129155-61490	17	32
129155-61540	17	51
129155-61810	17	54
129155-61830	17	56
129155-61950	17	57
129156-51910	15	79
	16	86
129157-01332	1	22
	26	3
129350-49530	14	1
129350-49560	14	1 -1
129400-01520	3	5
129400-01730	4	7
129400-01770	4	11
129400-11350	6	55
129400-12100	7	1
129400-13101	8	8
129400-13201	8	12
129400-51100	15	11
	16	13
129400-59910	20	24
129400-59920	20	28
129400-59930	20	32
129400-59940	20	36
129400-61801	17	53
129400-77011	23	1 B
129400-77330	24	7
129400-77400	23	2 B
129400-77440	23	5 B
129400-77460	23	7 B
129400-77470	23	9 B
129400-77480	23	10 B
129400-77490	23	11 B
129400-77510	23	8 B

Parts No.	Fig. No.	Ref. No.
129400-77520	23	25 B
129400-77530	23	20 B
129400-77570	23	22 B
129400-77640	23	21 B
129400-92420	26	34
129403-12080	7	23
129403-13130	8	2
129403-18090	9	39
129403-18720	9	2
129403-18800	9	20
129403-18820	9	23
129403-39450	12	42
129403-39600	12	54
129403-39610	12	55
129403-44740	13	17
129405-01330	2	26
	26	4
129406-18010	9	1
129406-18770	9	3
129406-18780	9	12
129406-18790	9	16
129406-18830	9	26
129410-65130	22	4
129410-77330	24	7 -1
129411-13300	8	13
129411-44560	13	33
129411-55690	21	6
129411-59521	18	18
129411-59530	20	42
129411-59551	20	50
129411-59600	18	12
129412-12460	7	12
129412-12470	7	13
129412-18290	9	42
129412-18380	9	43
129436-35070	12	16 -2
129436-35090	12	16
129436-35091	12	16 -1
129470-11080	6	16
129470-11090	6	17
129470-12210	7	9
129470-39610	12	61
129470-51101	16	14
129470-55601	21	2
129470-55610	21	3
129470-55701	21	4
129477-18100	9	40
129477-61720	17	76
129491-59540	19	45
	20	49

Parts No. Index

Parts No.	Fig. No.	Ref. No.
129495-59300	19	37
	20	41
129500-11240	6	38
129500-61650	17	52
129503-53000	20	2 B
129506-51040	16	8
129550-11290	6	42
129550-11310	6	62
	26	11
129550-12111	7	2
	26	14
129550-13110	8	1
		11
	26	17
129550-21650	11	16
129550-39450	12	41
129550-59120	20	19
129555-51400	16	44
129555-51500	16	52
129555-51700	16	81
129555-51710	16	82
129555-51750	16	83
129555-51760	16	84
129795-01780	4	24
129795-01800	3	4
129795-01950	3	10
129795-02411	1	18
	2	22
129795-11120	5	23
	6	30
129795-11180	5	24
	6	31
129795-12501	7	14
129795-12520	7	15
129795-12530	7	16
129795-12540	7	17
129795-21661	11	17
129795-49551	14	2
	26	22
144626-91560	12	63
160610-55460	21	1
171001-93100	26	27
171008-77410	23	3 B
171008-77420	23	4 B
171008-77450	23	6 B
171008-77510	23	18 B
171008-77540	23	19 B
171008-77650	23	12 B
171008-77660	23	13 B
171008-77670	23	14 B

Parts No.	Fig. No.	Ref. No.
171008-77720	23	15 B
171008-77730	23	16 B
171008-77740	23	17 B
171008-77750	23	26
171010-65100	22	1
171010-77850	25	1
171011-44301	24	3
171011-91100	25	3
171081-55900	21	7
171081-55910	21	12
171083-13300	8	14
171090-91010	25	2
171301-01640	4	12
171301-49010	13	34
171301-49020	13	36
171335-65110	22	2
171335-65120	22	3
171335-65130	22	5
171335-77951	22	6
171340-21590	11	20
171340-44740	13	18
171353-44760	13	19
171375-35100	12	22
171375-39600	12	60
171375-44300	24	2
171375-44320	24	4
171375-44900	13	25
171375-44910	13	26
171375-49800	14	4
171375-55612	21	5
171375-59500	18	7
171375-59521	18	17
171375-59530	19	38
171375-59551	19	46
171420-01600	4	2
171420-21590	11	21
171420-34820	12	14
171420-44500	13	28
171420-49010	13	35
171420-49020	13	37
171460-44500	13	29
171463-12581	7	8
171488-61200	17	11
171488-61440	17	23
174307-51170	15	15
	16	20
174307-51560	15	51
	16	58
174307-51700	17	34
194440-51620	13	49

Parts No.	Fig. No.	Ref. No.
194990-22050	8	15
	9	41
		44
22117-040000	17	59
22117-050000	22	7
22217-060000	15	82
	16	89
22217-120000	10	19
22272-000040	17	60
22272-000060	17	61
22287-120000	17	62
22351-030016	17	63
22351-040010	11	14
22351-050010	15	83
	16	90
22351-060012	5	29
	6	36
22360-050000	22	8
22372-040000	17	64
22487-050160	22	9
22512-070140	10	11
	11	12
23000-016000	13	23
23000-022000	12	56
23000-054000	7	19
		24
23000-060000	7	20
		25
23010-038000	13	46
23161-020100	12	62
23414-060000	19	60
	20	64
23414-080000	2	10
	12	49
23414-080012	18	22
	19	61
	20	65
	21	15
23414-100000	12	50
23414-120000	18	23
		24
		25
		30
23414-140000	19	62
	20	66
23414-170000	8	16
	9	45
23418-060000	21	14
23851-030000	19	63
	20	67

Parts No.	Fig. No.	Ref. No.
23857-060000	18	26
		27
		28
		31
23871-010000	1	5
	2	6
	7	11
23871-030000	2	11
	5	17
	6	23
	7	3
	13	12
		12 -1
23887-100002	17	65
23894-030002	8	17
	9	46
24101-063034	15	84
	16	91
24311-000120	5	59
	6	67
	26	12
24311-000160	3	13
	12	36
24311-000320	3	14
	5	61
	6	63
	26	7
		9
24311-240100	17	66
24314-000160	12	57
24321-000300	13	52
24341-000160	15	85
	16	92
24341-000240	3	27
	4	16
24341-000500	5	56
	6	64
	26	8
26013-080142	13	47
26014-080252	24	8
26022-050102	15	86
	16	93
	17	67
26022-060162	15	87
	16	94
26023-050102	17	68
26106-060102	18	3
26106-060122	22	10
26106-060142	21	19
26106-060162	3	28

Parts No. Index

Parts No.	Fig. No.	Ref. No.
26106-060162	12	58
26106-060202	17	69
26106-060322	23	23 B
26106-060352	13	20
26106-060402	23	24 B
26106-080102	12	51
26106-080122	2	12
	3	15
26106-080142	5	6
	6	7
	9	47
	22	11
26106-080162	1	19
	2	23
	3	16
		17
	4	17
	5	57
	6	65
	7	21
	18	4
	21	20
26106-080182	13	53
26106-080202	3	18
	12	37
	14	12
26106-080252	4	18
	5	45
	6	53
	7	7
	14	13
26106-080302	4	25
	21	21
26106-080352	4	26
	7	4
		22
	12	21
26106-080452	3	19
	4	19
	8	18
	10	17
26106-080502	4	20
	5	46
	6	54
	14	14
26106-080552	3	20
	12	21 -1
26106-080602	13	14
	14	15
26106-080652	8	3

Parts No.	Fig. No.	Ref. No.
26106-080802	8	19
26106-080852	3	21
	8	4
26106-080952	8	20
26106-081002	8	5
26106-100162	18	5
26116-050302	15	88
	16	95
26116-060162	14	9
26116-120252	23	27
26206-100252	4	4
26206-100302	4	5
26216-060202	5	18
	6	24
26216-080222	8	6
	9	48
26216-080802	8	21
26226-080182	5	42
	6	49
26366-060002	5	30
	6	37
26366-080002	3	22
	13	48
	17	70
	21	22
26366-100002	24	6
26450-060252	12	12
26687-120002	17	77
26706-100002	24	5
26716-060002	15	89
	16	96
26716-120002	10	20
26756-060002	17	71
26756-080002	6	50
26776-120002	17	72
27231-500000	1	6
	2	7
27241-120000	1	7
	2	8
27241-220000	5	19
	6	25
27241-300000	1	8
	2	9
27241-400000	5	20
	6	26
27310-080001	5	25 -1
	6	32 -1
28110-100120	26	30
28110-140170	26	31
28110-190220	26	32

Parts No.	Fig. No.	Ref. No.
28210-000140	26	33
43400-500390	17	73
43400-500410	3	23
		24
	12	52
43400-500430	17	74
43400-500450	17	75
43400-500490	15	90
	16	97
43551-001451	19	64
	20	68
46150-504600	1	20
	2	24
719800-73100	19	1
719810-01500	3	1
719810-53300	20	1 A
729102-11700	5	7
729102-21700	11	1
729105-22500	11	31
729105-22900	11	46
729105-22910	11	52
729105-22951	11	54
729111-51310	15	1
729131-92602	26	1
729157-01560	1	1
729157-22951	11	48
729400-21700	11	2
729402-14580	10	4
729402-23100	11	38
729405-01560	2	1
729405-11700	6	8
729405-92601	26	2
729406-11700	6	9
729406-21700	11	3
729411-51310	16	1
729412-51310	16	2
729412-53300	20	1 B
X211414501	23	25 A
X211415502	23	3 A
X211415505	23	12 A
X211425502	23	4 A
X211425505	23	15 A
X21142867	23	24 A
X211429006	23	14 A
X211429007	23	9 A
X21143315	23	7 A
X211435502	23	16 A
X211445502	23	17 A
X211447007	23	20 A
X211448004	23	22 A

Parts No.	Fig. No.	Ref. No.
X211451007	23	2 A
X21145866	23	23 A
X211459002	23	10 A
X21146012	23	19 A
X211468005	23	21 A
X211472106	23	5 A
X211476504	23	18 A
X21148215	23	6 A
X211483003	23	8 A
X21148314	23	11 A
X211495009	23	13 A