

0CD10-M46101EN

# PREFACE

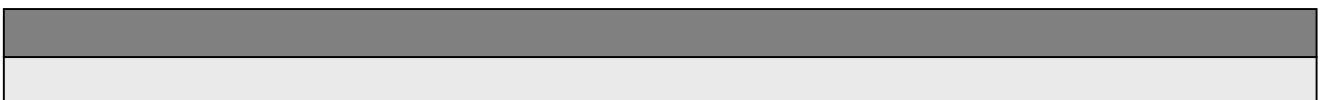
1. This Parts Catalog is the 1st edition of 3TN84,4TN82L-RP Diesel Engine .

Pub. No. : 000Y00D4611

Published : March,1993

2. Model name

Engine model	Vehicle		Vehicle made by
	Products	Model name	
3TN84,4TN82L-RP	—	—	—



## Directions for the Parts Catalog.

1. This Parts Catalog shows both standard and optional parts.
2. Parts may change without prior notice.
3. The following is an example of the Parts Catalog format.

REF.	LEV.	PARTS NO.	DESCRIPTION	Q'TY						I	R
				(A)	(B)	(C)	(D)	(E)	(F)		
1	1	729595-51390	FUEL INJECTION PUMP	1	1	1	1	1			1
1-1	1	729595-51391	FUEL INJECTION PUMP	1	1	1	1	1		N	1
		(A=E00185) (B=E00200)									
3	2	26022-060162	SCREW M 6X 16	9	9	9	9	9			
3-1	2	26022-060162	SCREW M 6X 16	4	4	4	4	4		K	
		(A=E00156) (B=E00156) (C=E00156) (D=E00156) (E=E00156)									
4	2	129470-51040	CAMSHAFT	1	1	1	1	1			
5	2	122710-51050	BEARING, ROLLER	2	2	2	2	2			
6	2	129470-51060	RETAINER	1	1	1	1	1			

Remarks
(1) BOOST COMPEMSATOR TYPE. OPTIONAL PART, TO E00155,(4JH-DT, 4JH-DTZ

### ① Ref. No.

The Ref. No. listed may not be in accordance with the illustration Ref. No.

(Ex.) Illustration No.

List Ref No.

1

1

(Before change)

1-1

(After change)

For interchangeable symbols N, R and K, illustrations for new parts may be abbreviated.

### ② Lev. (Level)

Level indication

The numbers below indicate the level of relativity towards the main part.

1 ----- Main parts (Assembly parts)

2 ----- Sub component included in " 1 ".

3 ----- Sub component included in " 2 ".

Note) Parts that are not for sale are partially illustrated but not listed.

### ③ Interchangeability Symbol

When a part change takes place, one of the following interchangeability symbols is indicated beside the part.

Symbol	Interchangeability	Contents note
N	Old $\begin{matrix} \leftarrow \text{Yes} \\ \text{No} \rightarrow \end{matrix}$ New	New Part is interchangeable for Old Part but Old Part is not interchangeable for New Part.
Q	Old $\begin{matrix} \leftarrow \text{No} \\ \text{Yes} \rightarrow \end{matrix}$ New	New Part is not interchangeable for Old Part but Old Part is interchangeable for New Part.
R	Old $\begin{matrix} \leftarrow \text{Yes} \\ \text{Yes} \rightarrow \end{matrix}$ New	New/ Old Parts are both interchangeable.
S	Old $\begin{matrix} \leftarrow \text{No} \\ \text{No} \rightarrow \end{matrix}$ New	New/ Old Parts are both not interchangeable.
W		Part newly added.
Z		Part discontinued.
F		Not interchangeable by a single part but interchangeable together with related parts.
K		Changes only for used parts quantities.

### ④ Effective Machine No.

When a part changes, the effective Machine No. will be indicated in the (A)-(F) column.

Product Symbol	Product No.	Product Symbol	Product No.
C	Clutch No. Compressor No.	F	Machine No. (Agricultural Equip.)
D	Drive No.	M	Machine No.
E	Engine No.		

Note 1) A date may follow the symbol. (Ex.) 1996.01

Note 2) "XXXXX" and "ZZZZZ" are for parts that could not be predicted or for engine models that could not be identified.

Note 3) (A=E00185) is the E (Engine Serial Number) for the column (A) model (in this case 4JH-DT) after the parts design change.

### ⑤ Remarks

Figures or alphabets (symbols) are entered in the remarks column.

The comments (remarks) on parts that are indicated at the bottom of the illustration are the same symbols as those stated above.

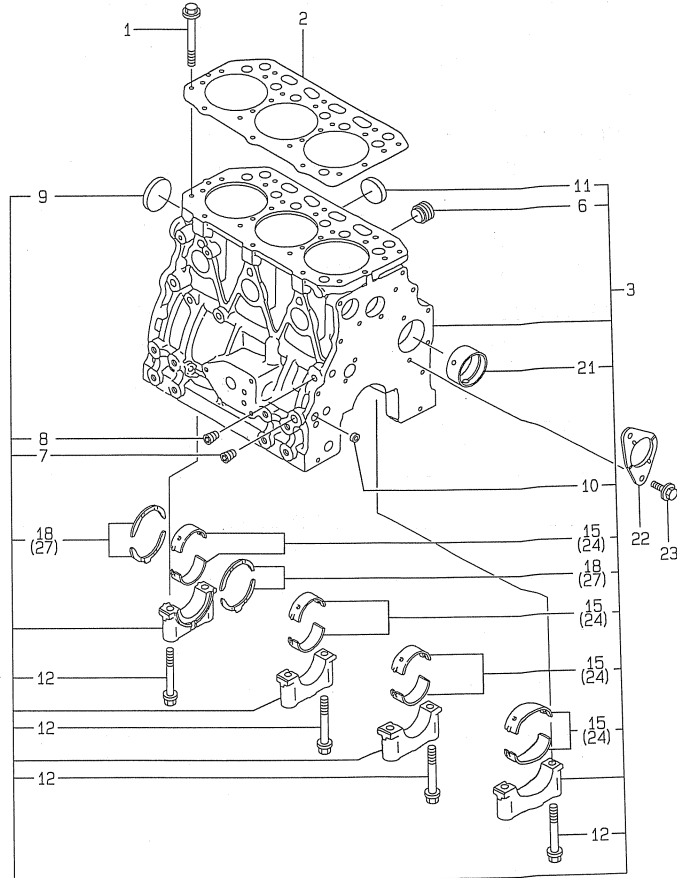
# Contents

Fig. No.	Fig. Name	Fig. No.	Fig. Name
ENG. 3TN84,4TN82L-RP			
1.	CYLINDER BLOCK		
2.	CYLINDER BLOCK		
3.	GEAR HOUSING		
4.	FLYWHEEL HOUSING & OIL SUMP		
5.	CYLINDER HEAD & BONNET		
6.	SUCTION MANIFOLD & AIR CLEANER		
7.	EXHAUST MANIFOLD & SILENCER		
8.	CAMSHAFT & DRIVE GEAR		
9.	CRANKSHAFT & PISTON		
10.	CRANKSHAFT & PISTON		
11.	LUB. OIL SYSTEM		
12.	COOLING WATER SYSTEM		
13.	FUEL INJECTION PUMP		
14.	FUEL OIL PIPES		
15.	FUEL OIL TANK		
16.	FUEL OIL TANK		
17.	GOVERNOR		
18.	ENGINE STOP SOLENOID		
19.	CONTROL DEVICE		
20.	STARTING MOTOR		
21.	GENERATOR		
22.	OUT PUT SHAFT & CLUTCH		
23.	INSTRUMENT PANEL		
24.	GASKET SET & TOOL		

# Fig.1. CYLINDER BLOCK

Y00D4611  
3TN84, 4TN82L-RP

D29105-01100  
D29150-02100  
D29129-02200



(A)=3TN84L-RP  
(B)=4TN82L-RP  
(C)=

(D)=  
(E)=  
(F)=

No.	Lev.	Parts No.	Description	Q'ty						I	R
				(A)	(B)	(C)	(D)	(E)	(F)		
1	1	129150-01200	BOLT, HEAD	14							
2	1	129157-01332	GASKET, HEAD	1							\$
3	1	729157-01560	BLOCK ASSY, CYLINDER	1							
6	2	171051-01921	PLUG, NPTF1	1							
7	2	124160-01910	PLUG, PT1/4	3							
8	2	23871-010000	PLUG, R01	1							
9	2	27231-500000	PLUG 50	1							
10	2	27241-120000	PLUG, 12	2							
11	2	27241-300000	PLUG 30	6							
12	2	129150-02020	BOLT, METAL CAP	8							
15	2	129150-02800	BEARING, MAIN	4							
18	2	129150-02930	BEARING, THRUST	2							
21	2	129795-02411	BUSH, CAMSHAFT	1							
22	1	129150-02450	BEARING, THRUST	1							Z
(A=EXXX)											
23	1	26106-080162	BOLT, M8X 16 PLATED	2							
24	1	129150-02870	BEARING, 0.25 US	4							1
27	1	129150-02940	BEARING, THRUST 0.25	2							2

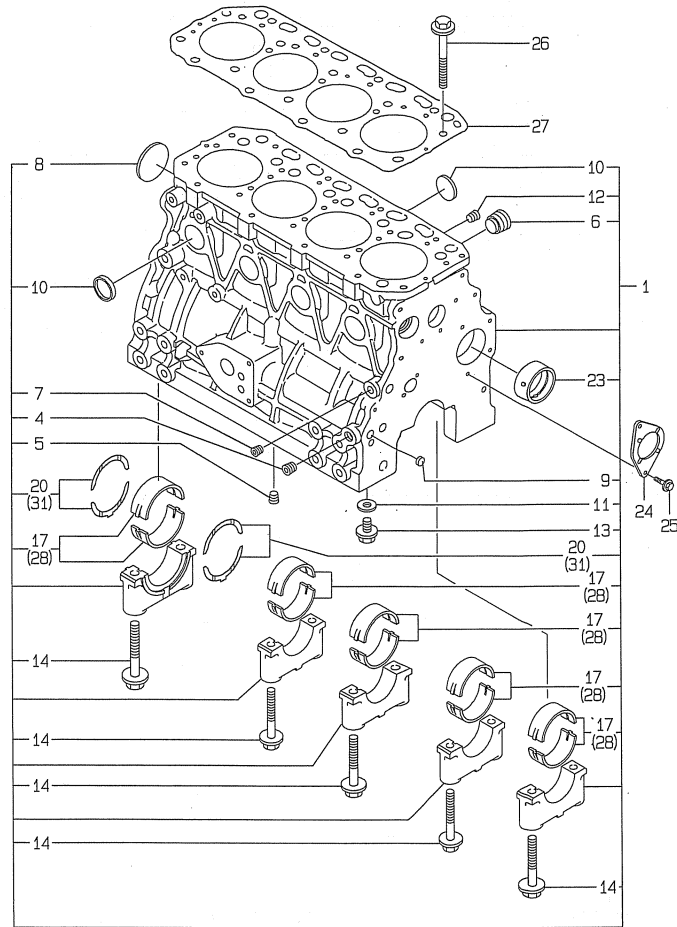
**Remarks**

- (1) UNDER-SIZE(U.S=0.25)PART.
- (2) OVER-SIZE(O.S=0.25)PART.
- (§) THESE PARTS ARE SOLD BY FIG.24, REF.NO.1,1-1,2,2-1.

# Fig.2. CYLINDER BLOCK

Y00D4611  
3TN84, 4TN82L-RP

D29402-01110  
D29400-01820  
D29550-02100  
D29129-02200



**Remarks**

- (1) UNDER-SIZE(U.S=0.25)PART.
- (2) OVER-SIZE(O.S=0.25)PART.
- (§) THESE PARTS ARE SOLD BY FIG.24, REF.NO.1,1-1,2,2-1.

(A)=3TN84L-RP  
(B)=4TN82L-RP  
(C)=

(D)=  
(E)=  
(F)=

No.	Lev.	Parts No.	Description	Q'ty						I	R
				(A)	(B)	(C)	(D)	(E)	(F)		
1	1	729402-01560	BLOCK ASSY, CYLINDER		1						
4	3	124160-01910	PLUG, PT1/4		2						
5	3	124160-01910	PLUG, PT1/4		1						
6	3	171051-01921	PLUG, NPTF1		1						
7	3	23871-010000	PLUG, R01		1						
8	3	27231-500000	PLUG 50		1						
9	3	27241-120000	PLUG, 12		2						
10	3	27241-300000	PLUG 30		8						
11	2	23414-080000	GASKET, 8X1.0		4						
12	2	23871-030000	PLUG, R03		1						
13	2	26106-080122	BOLT, M8X 12 PLATED		4						
14	2	129150-02020	BOLT, METAL CAP		10						
17	2	129150-02800	BEARING, MAIN		5						
20	3	129150-02930	BEARING, THRUST		2						
23	2	129795-02411	BUSH, CAMSHAFT		1						
24	1	129150-02450	BEARING, THRUST		1					Z	
		(B=EXXX)									
25	1	26106-080162	BOLT, M8X 16 PLATED		2						
26	1	129150-01200	BOLT, HEAD		18						
27	1	129402-01321	GASKET, HEAD		1						\$
28	1	129150-02870	BEARING, 0.25 US		5						1
31	1	129150-02940	BEARING, THRUST 0.25		2						2

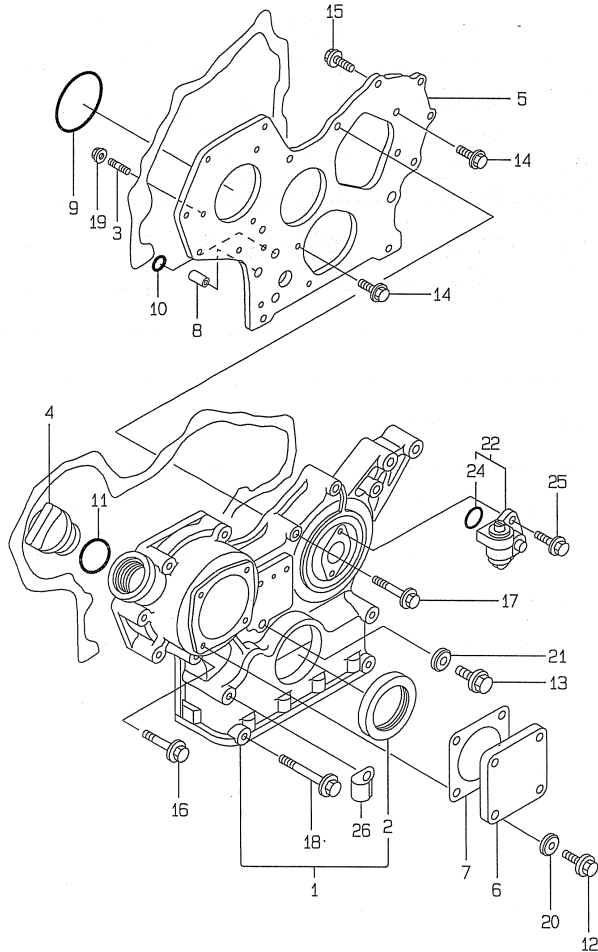
Fig.3. GEAR HOUSING

(A)=3TN84L-RP  
(B)=4TN82L-RP  
(C)=

(D)=  
(E)=  
(F)=

Y00D4611  
3TN84, 4TN82L-RP

D29400-01220  
D29150-91100

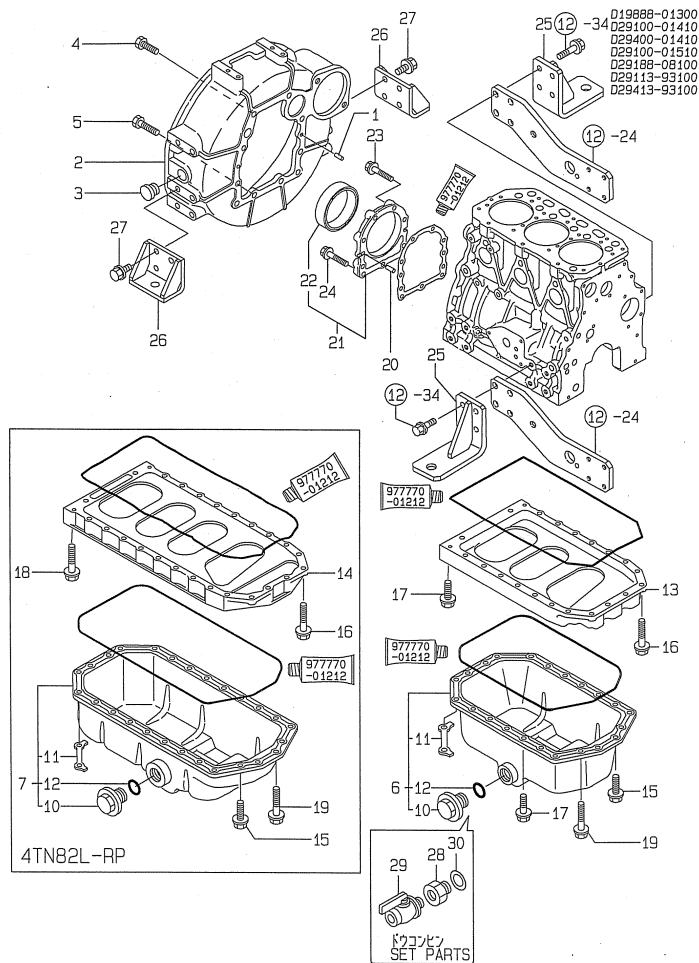


No.	Lev.	Parts No.	Description	Q'ty						I	R
				(A)	(B)	(C)	(D)	(E)	(F)		
1	1	719810-01500 (A=E46223) (B=E11528)	CASE ASSY, GEAR	1	1						W
2	2	129795-01800	SEAL, OIL		1	1					
3	1	121450-01560	STUD, M8X22	3	3						
4	1	124160-01751	COVER, FILLER	1	1						
5	1	129400-01520	FLANGE, GEAR CASE	1	1						
6	1	124240-01871	COVER	1	1						
7	1	124240-01883	GASKET	1	1						\$
8	1	129795-01950	PIPE, KNOCK L=18	2	2						
9	1	121850-51960	O-RING	1	1						\$
10	1	24311-000160	O-RING, 1AP16.0	2	2						
11	1	24311-000320	O-RING, 1AP32.0	1	1						\$
12	1	26106-080122	BOLT, M8X 12 PLATED	4	4						
13	1	26106-080162	BOLT, M8X 16 PLATED	1	1						
14	1	26106-080162	BOLT, M8X 16 PLATED	3	3						
15	1	26106-080202	BOLT, M8X 20 PLATED	2	2						
16	1	26106-080452	BOLT, M8X 45 PLATED	6	6						
17	1	26106-080552	BOLT, M8X 55 PLATED	3	3						
18	1	26106-080852	BOLT, M8X 85 PLATED	4	4						
19	1	26366-080002	NUT, M8	3	3						
20	1	43400-500410	SEAL WASHER 8S	4	4						
21	1	43400-500410	SEAL WASHER 8S	1	1						
22	1	129150-91400	GEAR	1	1						
24	2	24341-000240	O-RING, 1AS24.0	1	1						
25	1	26106-060162	BOLT, M6X 16 PLATED	2	2						
26	1	129150-03100 (A=E11528) (B=E11528)	RETAINER, PIPE	1	1						W

Remarks  
(\$) THESE PARTS ARE SOLD BY FIG.24,  
REF.NO.1,1-1,2,2-1.

Fig.4. FLYWHEEL HOUSING & OIL SUMP

Y00D4611  
3TN84, 4TN82L-RP



(A)=3TN84L-RP  
(B)=4TN82L-RP  
(C)=

(D)=  
(E)=  
(F)=

No.	Lev.	Parts No.	Description	Qty						I	R
				(A)	(B)	(C)	(D)	(E)	(F)		
1	1	129100-01580	PIN, M8X16	2	2						
2	1	119888-01600	HOUSING, FLYWHEEL	1	1						
3	1	119620-01750	CAP	1	1						
4	1	26206-100252	BOLT, M10X 25 PLATED	6	6						
5	1	26206-100302	BOLT, M10X 30 PLATED	4	4						
6	1	771341-01540	SUMP ASSY, OIL	1							
6-1	1	129100-01770	SUMP ASSY, OIL	1							N
		(A=E66862)									
6-2	1	129100-01760	SUMP ASSY, OIL	1							N
		(A=E66862)									
7	1	729400-01541	SUMP ASSY, OIL		1						
7-1	1	129400-01770	SUMP ASSY, OIL		1						N
		(B=E66862)									
10	2	171301-01640	PLUG, 22	1	1						
10-1	2	119640-01640	PLUG, DRAIN M22	1	1						S 1
		(A=E64552) (B=E17407)									
10-2	2	171301-01640	PLUG, 22	1	1						S 2
		(A=E66862) (B=E18378)									
11	2	129100-01790	RETAINER	2	2						
12	2	24341-000240	O-RING, 1AS24.0	1	1						\$
12-1	2	22190-220002	WASHER, SEAL 22	1	1						S \$
		(A=E64552) (B=E17407)									
12-2	2	24341-000250	O-RING, 1AS25.0	1	1						S \$
		(A=E66862) (B=E18378)									
13	1	129100-01730	SPACER, OIL SUMP	1							
14	1	129400-01730	SPACER, OIL SUMP		1						
15	1	26106-080162	BOLT, M8X 16 PLATED	4	4						
16	1	26106-080252	BOLT, M8X 25 PLATED	2	2						
17	1	26106-080452	BOLT, M8X 45 PLATED	16							
18	1	26106-080452	BOLT, M8X 45 PLATED		20						
19	1	26106-080502	BOLT, M8X 50 PLATED	4	4						
20	1	129100-01580	PIN, M8X16	2	2						
21	1	129100-01640	CASE ASSY, OIL SEAL	1	1						W
		(A=E66862) (B=E66862)									
22	2	129795-01780	SEAL, OIL	1	1						
23	1	26106-080302	BOLT, M8X 30 PLATED	6	6						
24	1	26106-080352	BOLT, M8X 35 PLATED	3	3						
25	1	129188-08100	FOOT	2	2						
26	1	119888-08110	FOOT	2	2						
27	1	26106-100202	BOLT, M10X 20 PLATED	8	8						
28	1	129113-01740	SOCKET, M22XPT3/8	1	1						
29	1	104200-11920	COCK, WATER	1	1						
30	1	23414-220000	GASKET, 22X1.0	1	1						

Remarks

(\$) THESE PARTS ARE SOLD BY FIG.24,  
REF.NO.1,1-1,1-2,1-3,2,2-1,2-2,  
2-3.

(1) REF.NO.10-1 &12-1 INTERCHANGEABLE  
BY SET.

(2) REF.NO.10-2 &12-2 INTERCHANGEABLE  
BY SET.



Fig.5. CYLINDER HEAD & BONNET

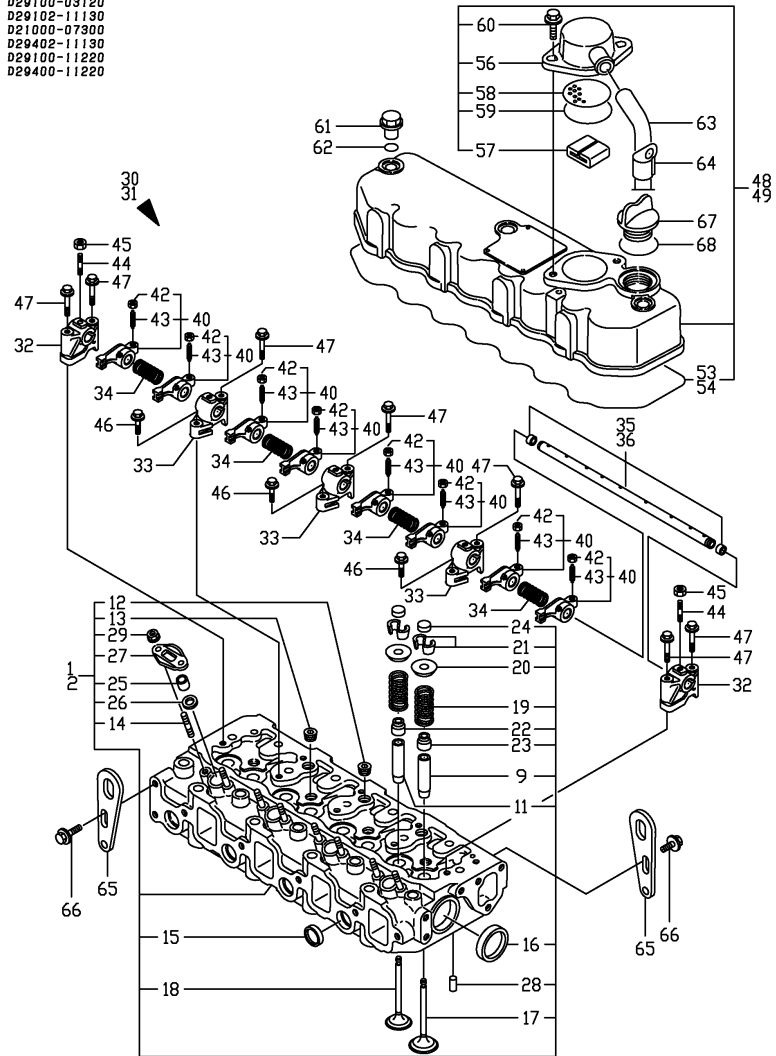
(A)=3TN84L-RP  
(B)=4TN82L-RP  
(C)=

(D)=  
(E)=  
(F)=

Y00D4611  
3TN84,4TN82L-RP

5 シリンダヘッド @ ボンネット  
CYLINDER HEAD @ BONNET

D29100-03120  
D29102-11130  
D21000-07300  
D29402-11130  
D29100-11220  
D29400-11220



No.	Lev.	Parts No.	Description	Q'ty						I	R
				(A)	(B)	(C)	(D)	(E)	(F)		
1	1	729102-11700	HEAD ASSY, CYLINDER	1							
2	1	729402-11700	HEAD ASSY, CYLINDER		1						
9	2	120130-11860	GUIDE, VALVE	3	4						1
11	2	129150-11810	GUIDE, VALVE	3	4						1
12	2	121850-11860	PLUG, PT1/4	2	3						
13	2	23871-030000	PLUG, R03	3	4						
14	2	26216-060202	STUD, M6X 20	6	8						
15	2	27241-220000	PLUG, 22	3	4						
16	2	27241-400000	PLUG, 40	2	2						
17	2	129100-11100	VALVE, INTAKE	3	4						
18	2	129100-11110	VALVE, EXHAUST	3	4						
19	2	129795-11120	SPRING, VALVE	6	8						
20	2	129795-11180	RETAINER, SPRING	6	8						
21	2	103338-11190	COTTER	6	8						
21-1	2	27310-080001	COTTER, 8	6							R
(A=EXXXXX)											
22	2	121400-11340	SEAL, VALVE STEM	3	4						
23	2	124460-11340	SEAL, VALVE STEM	3	4						
24	2	129150-11370	CAP, VALVE	6	8						
25	2	119625-11870	PROTECTOR, NOZZLE	3	4						
26	2	119625-11880	SEAT, NOZZLE	3	4						
27	2	119625-11900	RETAINER, NOZZLE	3	4						
28	2	22351-060012	PIN, SPRING 6.0X12	2	2						
29	2	26366-060002	NUT, M6	6	8						
30	1	129155-11241	SHAFT ASSY, ROCKER	1							
30-1	1	129100-11240	SHAFT ASSY, ROCKER	1							N
(A=E32134)											
31	1	129555-11241	SHAFT ASSY, ROCKER		1						
31-1	1	129500-11240	SHAFT ASSY, ROCKER		1						N
(B=E08875)											
32	2	129155-11260	SUPPORT, ROCKER ARM	2	2						
33	2	129155-11270	SUPPORT, ROCKER ARM	2	3						
34	2	129150-11280	SPRING	3	4						
35	2	129150-11290	SHAFT, ROCKER ARM	1							
36	2	129550-11290	SHAFT, ROCKER ARM		1						
40	2	729150-11651	ARM ASSY, ROCKER	6	8						
40-1	2	129100-11650	ARM, ROCKER	6	8						N
(A=E32134) (B=E08875)											
42	3	129150-11750	NUT, M8	6	8						
43	3	129150-11230	SCREW, VALVE ADJUST	6	8						
44	2	26226-080182	STUD, M8X 18	3	3						
45	2	26756-080002	NUT, LOCK M8		3						
46	1	26106-080252	BOLT, M8X 25 PLATED	2	3						
47	1	26106-080502	BOLT, M8X 50 PLATED	6	7						
48	1	729403-11520	BONNET ASSY, HEAD		1						
48-1	1	129400-11350	BONNET ASSY, HEAD		1						N
(B=E08875)											
49	1	729132-11520	BONNET ASSY, HEAD		1						
49-1	1	129100-11350	BONNET ASSY, HEAD		1						N
(A=E28829)											
53	2	129150-11310	GASKET, BONNET	1							\$

Remarks

(1) REPAIR PART.

(S) THESE PARTS ARE SOLD BY FIG.24,  
REF.NO.1,1-1,2,2-1.

Fig.5. CYLINDER HEAD & BONNET

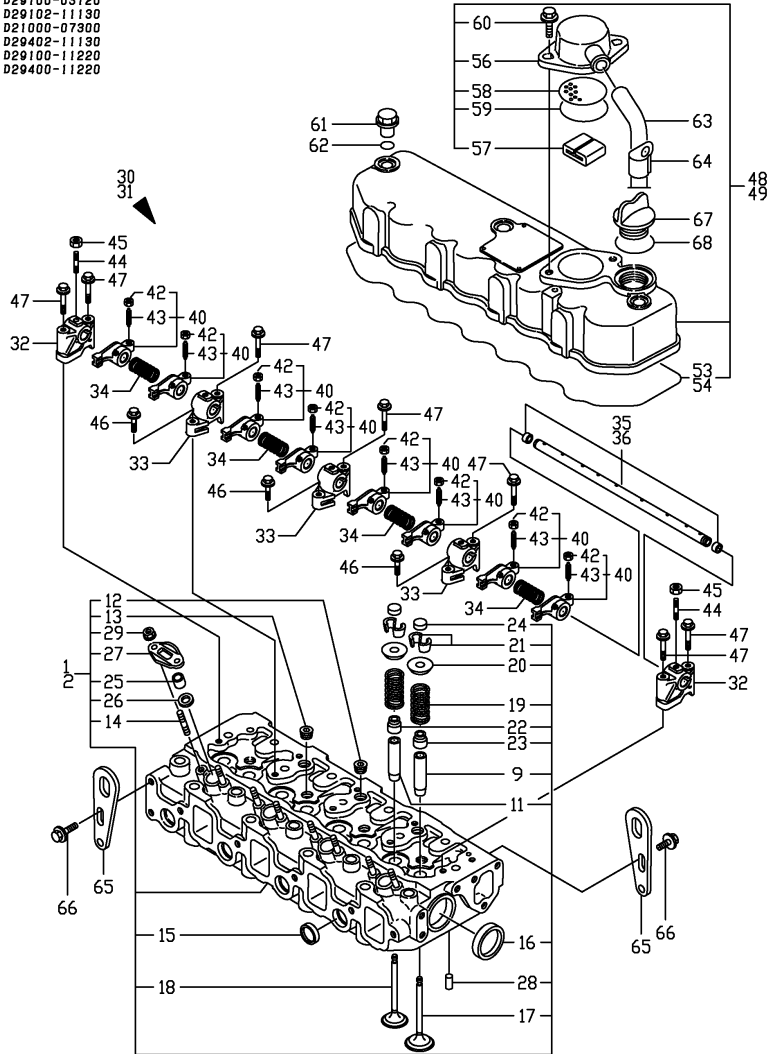
(A)=3TN84L-RP  
(B)=4TN82L-RP  
(C)=

(D)=  
(E)=  
(F)=

Y00D4611  
3TN84,4TN82L-RP

5 シリンダヘッド @ ボンネット  
CYLINDER HEAD @ BONNET

D29100-03120  
D29102-11130  
D21000-07300  
D29402-11130  
D29100-111220  
D29400-11220



No.	Lev.	Parts No.	Description	Q'ty						I	R
				(A)	(B)	(C)	(D)	(E)	(F)		
54	2	129550-11310	GASKET, BONNET		1						\$
56	2	129150-03020	COVER, BREATHER	1	1						
57	2	129150-03070	BAFFLE, BREATHER	1	1						
58	2	129150-03080	PLATE, BAFFLE	1	1						
59	2	24341-000500	O-RING, 1AS50.0	1	1						\$
		(A=EZZZZZ) (B=EZZZZZ)									
60	2	26106-080162	BOLT, M8X 16 PLATED		2	2					
61	1	124160-11360	KNOB		3	3					
62	1	24311-000120	O-RING, 1AP12.0		3	3					\$
63	1	129150-03090	HOSE, ID16X2T	1	1						
64	1	129150-03100	RETAINER, PIPE	1	1						Z
		(A=EXXX) (B=EXXX)									
65	1	124736-07900	LIFTER		2	2					
66	1	26106-080142	BOLT, M8X 14 PLATED		4	4					
67	1	124160-01751	COVER, FILLER	1	1						
68	1	24311-000320	O-RING, 1AP32.0	1	1						

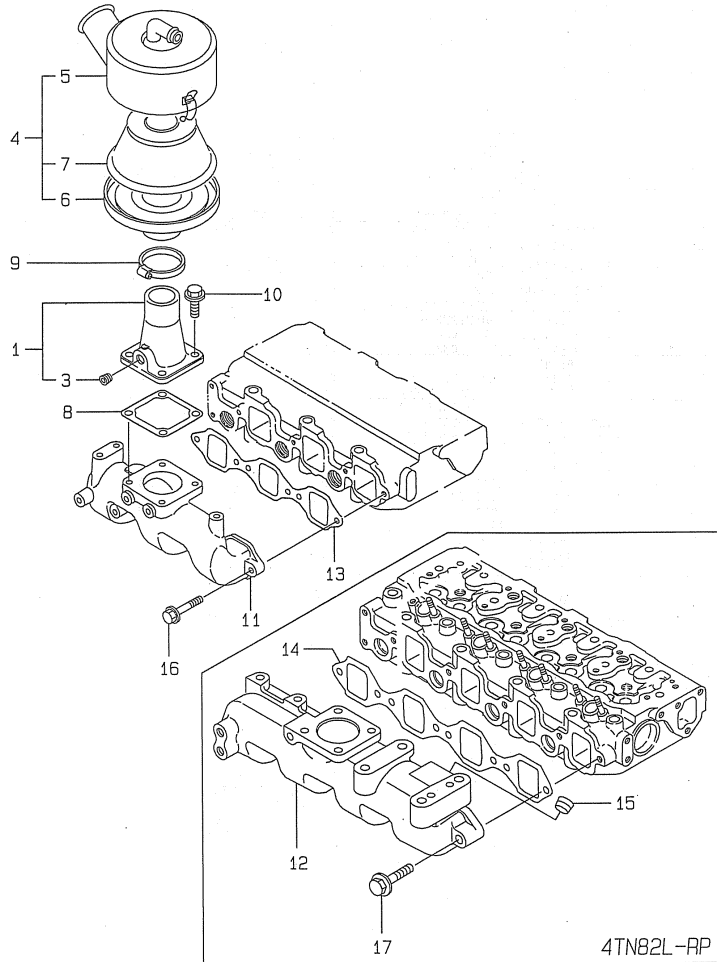
Remarks

(1) REPAIR PART.  
(\$ ) THESE PARTS ARE SOLD BY FIG.24,  
REF.NO.1,1-1,2,2-1.

Fig.6. SUCTION MANIFOLD & AIR CLEANER

Y00D4611  
3TNB4, 4TNB2L-RP

U71335-12100  
D29150-12200  
D29400-12100



(A)=3TN84L-RP  
(B)=4TN82L-RP  
(C)=

(D)=  
(E)=  
(F)=

No.	Lev.	Parts No.	Description	Q'ty						I	R
				(A)	(B)	(C)	(D)	(E)	(F)		
1	1	129470-12210	JOINT ASSY	1	1						
3	2	23871-010000	PLUG, R01	1	1						
4	1	129795-12501	SILENCER ASSY	1	1						
5	2	129795-12520	PIPE, AIR INTAKE	1	1						
6	2	129795-12530	PLATE	1	1						
7	2	129795-12540	ELEMENT	1	1						
8	1	129150-77510	GASKET	1	1						\$
8-1	1	129150-77511	GASKET	1	1						N \$
		(A=E28829) (B=E08875)									
9	1	23000-060000	CLAMP, 60	1	1						
10	1	26106-080162	BOLT, M8X 16 PLATED	4	4						
11	1	129150-12100	MANIFOLD, AIR INTAKE	1							
12	1	129400-12100	MANIFOLD, AIR INTAKE		1						
13	1	129150-12110	GASKET, MANIFOLD	1							\$
13-1	1	129150-12111	GASKET, MANIFOLD	1							N \$
		(A=E28829)									
14	1	129550-12110	GASKET, MANIFOLD		1						\$
14-1	1	129550-12111	GASKET, MANIFOLD		1						N \$
		(B=E08875)									
15	1	23871-030000	PLUG, R03		1						
16	1	26106-080252	BOLT, M8X 25 PLATED		4						
17	1	26106-080352	BOLT, M8X 35 PLATED		5						

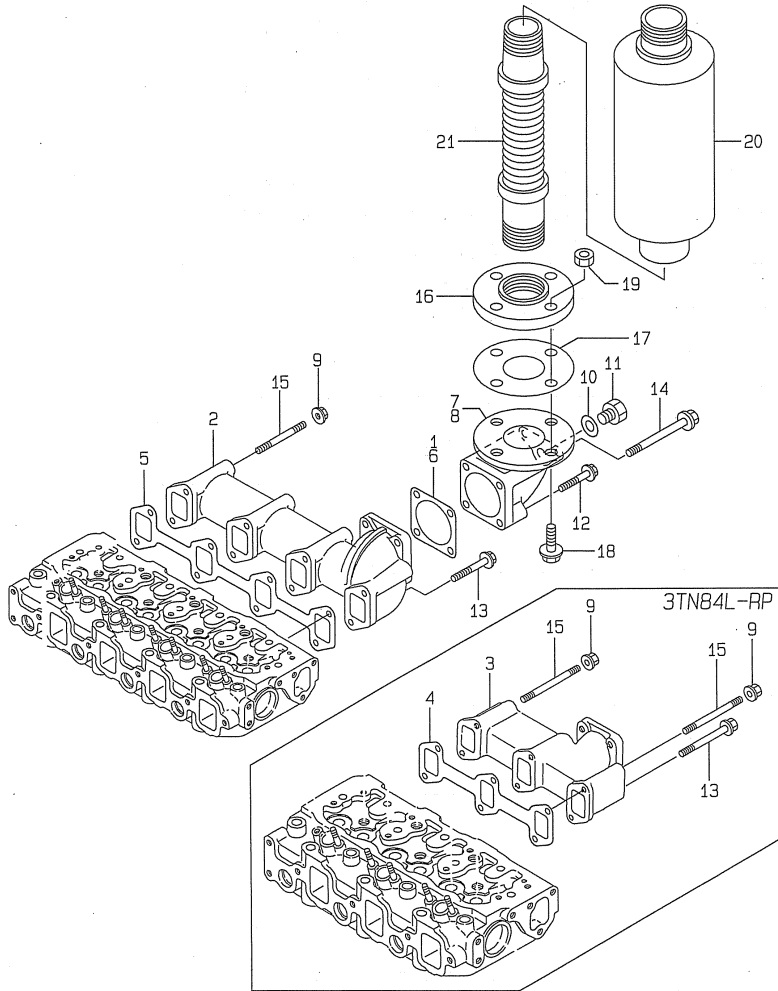
Remarks

(S) THESE PARTS ARE SOLD BY FIG.24,  
REF.NO.1,1-1,2,2-1.

Fig.7. EXHAUST MANIFOLD & SILENCER

Y00D4611  
3TN84, 4TN82L-RP

D29411-13111TK  
U71375-13100TK  
D29113-93100  
D29413-93100



(A)=3TN84L-RP  
(B)=4TN82L-RP  
(C)=

(D)=  
(E)=  
(F)=

No.	Lev.	Parts No.	Description	Q'ty						I	R
				(A)	(B)	(C)	(D)	(E)	(F)		
1	1	124450-11900	GASKET	1							\$
2	1	129400-13101	MANIFOLD, EXHAUST		1						
3	1	129100-13110	MANIFOLD, EXHAUST	1							
4	1	129150-13110	GASKET	1							\$
5	1	129550-13110	GASKET		1						\$
6	1	129400-13200	GASKET, SILENCER		1						\$
6-1	1	129400-13201	GASKET, SILENCER		1					N	\$
(B=E08875)											
7	1	129411-13300	BEND, EXHAUST 50A		1						
8	1	171083-13300	BEND, EXHAUST 50A	1							
9	1	194990-22050	NUT, M8	2	2						
10	1	23414-170000	GASKET, 17X1.0	1	1						
11	1	23894-030002	PLUG, G3/8	1	1						
12	1	26106-080452	BOLT, M8X 45 PLATED	2	2						
13	1	26106-080802	BOLT, M8X 80 PLATED	4	6						
14	1	26106-080952	BOLT, M8X 95 PLATED	2	2						
15	1	26216-080802	STUD, M8X 80	2	2						
16	1	23217-050000	FLANGE, 5K 50	1	1						
17	1	23446-050000	GASKET 50	1	1						\$
18	1	26116-120502	BOLT, M12X 50 PLATED	4	4						
19	1	26716-120002	NUT, M12	4	4						
20	1	43100-552900	SILENCER	1	1						
21	1	43720-500120	PIPE	1	1						

Remarks

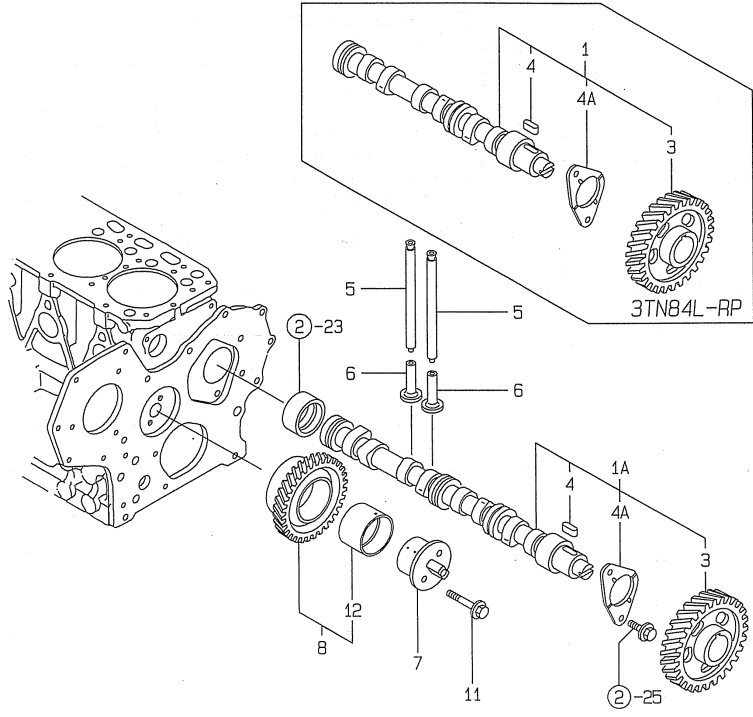
(\$) THESE PARTS ARE SOLD BY FIG.24,  
REF.NO.1,1-1,2,2-1.

N:Old  $\xrightarrow{\text{Yes}}$  New, Q:Old  $\xrightarrow{\text{No}}$  New, R:Old  $\xrightarrow{\text{Yes}}$  New, S:Old  $\xrightarrow{\text{No}}$  New, W:Add, Z:Discontinued, F:Interchangeable by set, K:Q'ty Change

# Fig.8. CAMSHAFT & DRIVE GEAR

Y00D4611  
3TN84, 4TN82L-RP

D29129-14100  
D29400-14110  
D29100-25101



(A)=3TN84L-RP  
(B)=4TN82L-RP  
(C)=

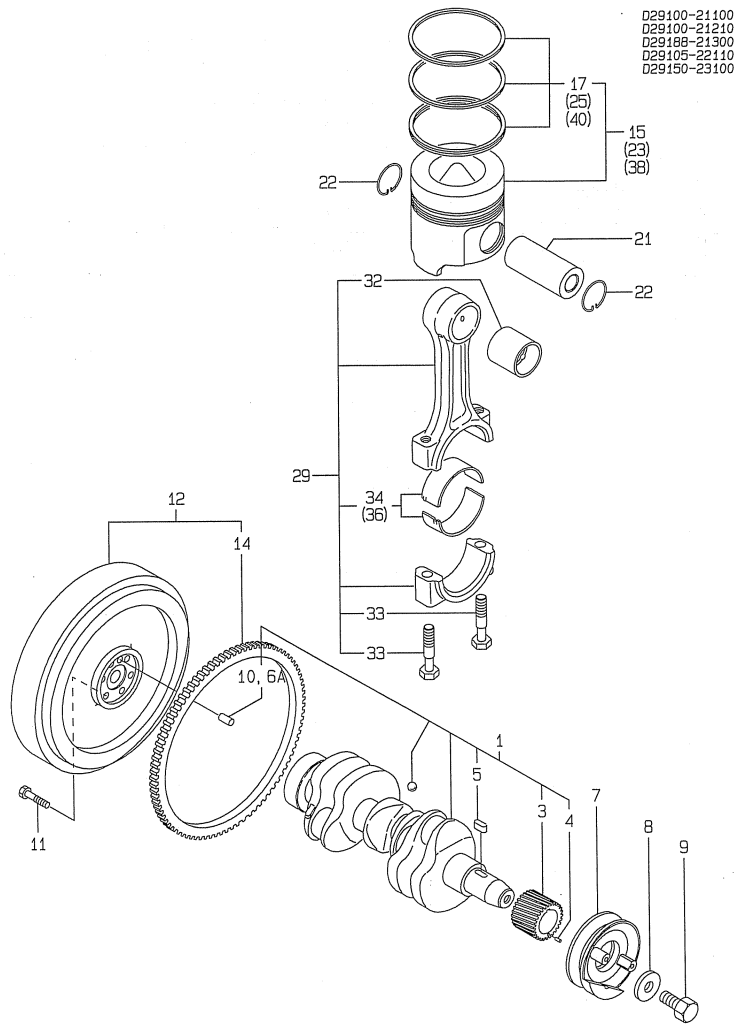
(D)=  
(E)=  
(F)=

No.	Lev.	Parts No.	Description	Q'ty						I	R
				(A)	(B)	(C)	(D)	(E)	(F)		
1	1	129129-14580 (A=EXXX)	CAMSHAFT ASSY	1							W
1A	1	729402-14580 (B=EXXX)	CAMSHAFT ASSY		1						W
3	2	129150-14101 (B=EXXX)	GEAR, CAMSHAFT	1	1						
4	2	22512-070140	KEY, 7X 14	1	1						
4A	2	129150-02450 (A=EXXX)	BEARING, THRUST	1	1						W
5	1	129150-14400 (B=EXXX)	ROD, PUSH L=178	6	8						
6	1	129150-14200	TAPPET	6	8						
7	1	129100-25061	SHAFT, IDLE	1	1						
8	1	129150-25101	GEAR ASSY, IDLE	1	1						
11	1	26106-080452	BOLT, M8X 45 PLATED	2	2						
12	1	129150-25920	BUSH, IDLE GEAR	1	1						1

Remarks  
(1) REPAIR PART.

# Fig.9. CRANKSHAFT & PISTON

Y00D4611  
3TNB4, 4TNB2L-RP



(A)=3TN84L-RP  
(B)=4TN82L-RP  
(C)=

(D)=  
(E)=  
(F)=

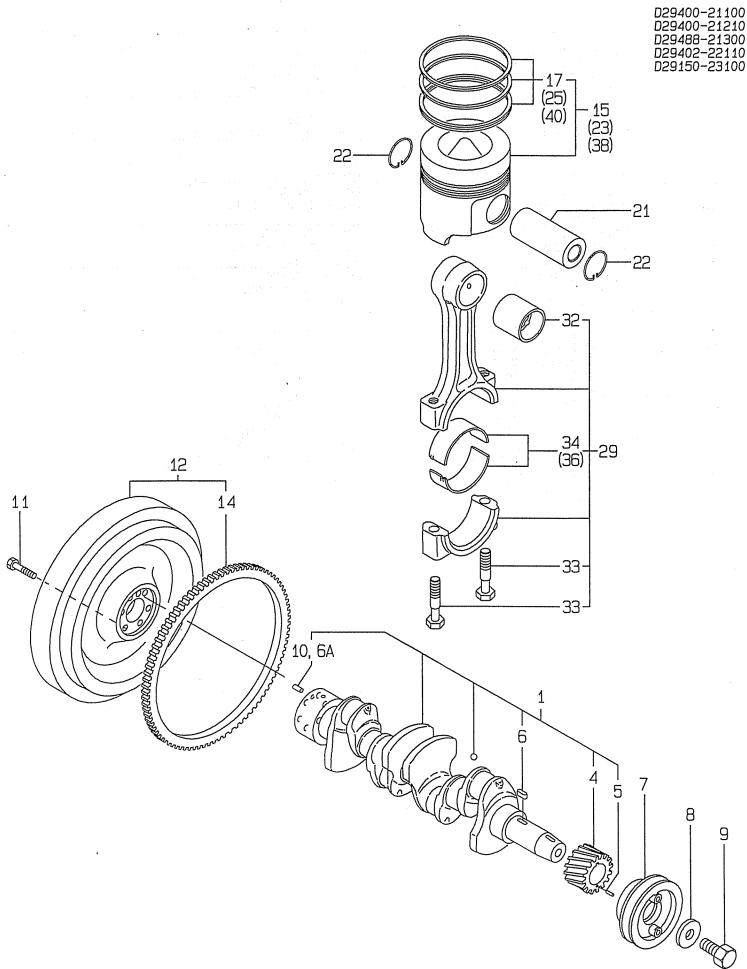
No.	Lev.	Parts No.	Description	Q'ty						I	R
				(A)	(B)	(C)	(D)	(E)	(F)		
1	1	729102-21700	CRANKSHAFT ASSY	1							
3	2	129150-21200	GEAR, CRANKSHAFT	1							
4	2	22351-040010	PIN, SPRING 4.0X10	1							Z
(A=E26978)											
5	2	22512-070140	KEY, 7X 14	1							
6A	2	129100-01580	PIN, M8X16	1							W
(A=E26978)											
7	1	129150-21650	V-PULLEY	1							
8	1	129795-21661	WASHER	1							
9	1	121850-21680	BOLT	1							
10	1	129100-01580	PIN, M8X16	1							Z
(A=E26978)											
11	1	121111-21501	BOLT, FLYWHEEL	6							
12	1	129188-21590	FLYWHEEL ASSY	1							
14	2	119865-21600	GEAR, RING	1							
15	1	129105-22080	PISTON ASSY	3							
17	2	129105-22500	RING SET, PISTON	3							
21	1	129150-22300	PIN, PISTON D26 L66	3							
22	1	121100-22400	CIRCLIP	6							
23	1	729105-22900	PISTON ASSY, 0.25 OS	3							1
25	2	729157-22951	RING SET, 0.25 OS	3							1
29	1	729150-23700	ROD ASSY, CONNECTING	3							
29-1	1	729402-23100	ROD ASSY, CONNECTING	3							N
(A=E26978)											
32	2	129100-23910	BEARING, PISTON PIN	3							2
33	2	121550-23200	BOLT, CONNECTING ROD	6							
34	2	129150-23600	BEARING, CRANK PIN	3							
36	1	129150-23610	BEARING, 0.25 US	3							3
38	1	129105-22920	PISTON ASSY, 0.50 OS	3							W 4
(A=E26978)											
40	2	129105-22970	RING SET, 0.50 OS	3							W 4
(A=E26978)											

Remarks

- (1) OVER-SIZE(O.S=0.25)PART.
- (2) REPAIR PART.
- (3) UNDER-SIZE(U.S=0.25)PART.
- (4) OVER-SIZE(O.S=0.50)PART.

# Fig.10. CRANKSHAFT & PISTON

Y00D4611  
3TNB4, 4TNB2L-RP



D29400-21100  
D29400-21210  
D29488-21300  
D29402-22110  
D29150-23100

(A)=3TN84L-RP  
(B)=4TN82L-RP  
(C)=

(D)=  
(E)=  
(F)=

No.	Lev.	Parts No.	Description	Q'ty						I	R
				(A)	(B)	(C)	(D)	(E)	(F)		
1	1	729400-21700	CRANKSHAFT ASSY		1						
4	2	129150-21200	GEAR, CRANKSHAFT		1						
5	2	22351-040010	PIN, SPRING 4.0X10		1						Z
(B=E08875)											
6	2	22512-070140	KEY, 7X 14		1						
6A	2	129100-01580	PIN, M8X16		1						W
(B=E08875)											
7	1	129550-21650	V-PULLEY		1						
8	1	129795-21661	WASHER		1						
9	1	121850-21680	BOLT		1						
10	1	129100-01580	PIN, M8X16		1						Z
(B=E08875)											
11	1	121111-21501	BOLT, FLYWHEEL		6						
12	1	129488-21590	FLYWHEEL ASSY		1						
14	2	119865-21600	GEAR, RING		1						
15	1	129402-22080	PISTON ASSY		4						
17	2	729402-22500	RING SET, PISTON		4						
21	1	129150-22300	PIN, PISTON D26 L66		4						
22	1	121100-22400	CIRCLIP		8						
23	1	729402-22910	PISTON ASSY, 0.25 OS		4						1
25	2	729120-22950	RING SET, 0.25 OS		4						1
29	1	729150-23700	ROD ASSY, CONNECTING		4						
29-1	1	729402-23100	ROD ASSY, CONNECTING		4						N
(B=E08875)											
32	2	129100-23910	BEARING, PISTON PIN		4						2
33	2	121550-23200	BOLT, CONNECTING ROD		8						
34	2	729150-23600	BEARING, CRANK PIN		4						
36	1	129150-23610	BEARING, 0.25 US		4						3
38	1	129402-22920	PISTON ASSY, 0.50 OS		4						W 4
(A=E08875)											
40	2	129402-22970	RING SET, 0.50 OS		4						W 4
(A=E08875)											

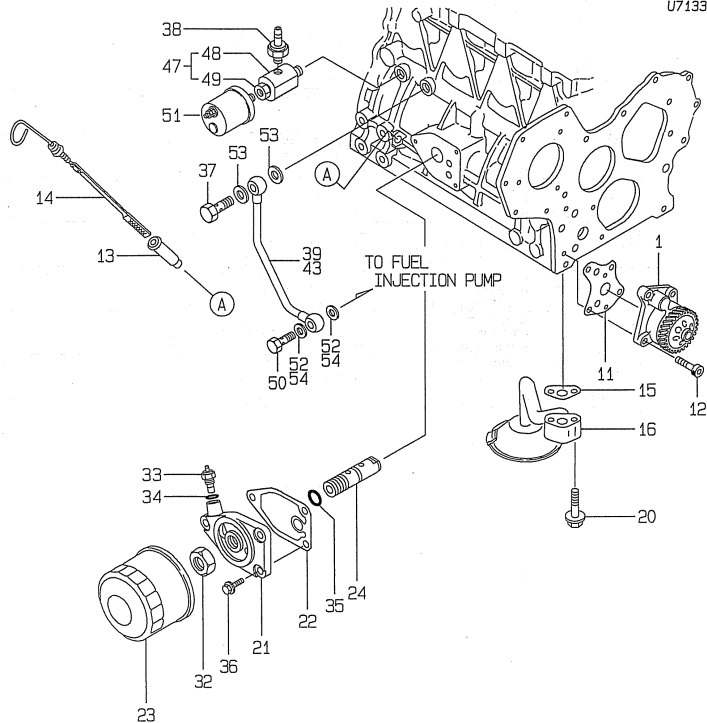
**Remarks**

- (1) OVER-SIZE(O.S=0.25)PART.
- (2) REPAIR PART.
- (3) UNDER-SIZE(U.S=0.25)PART.
- (4) OVER-SIZE(O.S=0.50)PART.

Fig.11. LUB. OIL SYSTEM

Y00D4611  
3TN84, 4TN82L-PP

D29463-35100  
D29150-32100  
D29100-34100  
D29100-35110  
U71375-35200  
U71375-39110  
D29428-39110  
U71335-39400



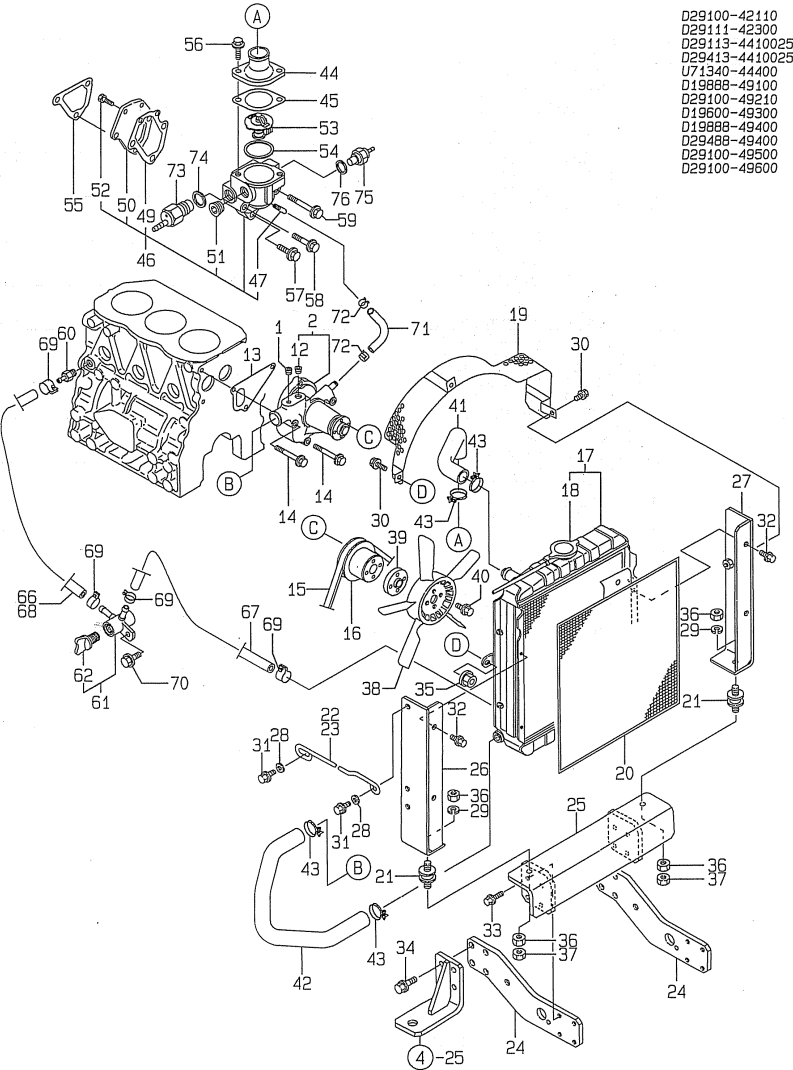
No.	Lev.	Parts No.	Description	Q'ty						I	R
				(A)	(B)	(C)	(D)	(E)	(F)		
1	1	129150-32000	PUMP ASSY, OIL	1	1						
11	1	129150-32020	GASKET, PUMP	1	1						\$
12	1	26450-060252	BOLT, M6X 25	4	4						
13	1	121520-34810	GUIDE, DIPSTICK	1	1						
14	1	171420-34820	DIPSTICK, OIL	1	1						
15	1	129150-35040	GASKET	1	1						\$
15-1	1	129150-35041	GASKET	1	1						N \$
		(A=E28829) (B=E08875)									
16	1	129100-35300	PIPE ASSY, OIL INLET	1	1						
16-1	1	129100-35301	PIPE ASSY, OIL INLET	1							N
		(A=E23927)									
16-2	1	129436-35090	PIPE ASSY, OIL INLET		1						N
		(B=EXXX)									
20	1	26116-080352	BOLT, M8X 35 PLATED	2	2						
20-1	1	26106-080352	BOLT, M8X 35 PLATED	2	2						N
		(A=EXXX) (B=EXXX)									
21	1	171375-35100	BRACKET, STRAINER	1	1						
22	1	129150-35110	GASKET	1	1						\$
22-1	1	129150-35111	GASKET	1	1						N \$
		(A=E28829) (B=E08875)									
23	1	129150-35150	FILTER 90X80L	1	1						
24	1	119865-35300	VALVE ASSY, CONTROL	1	1						
32	1	129150-35350	NUT	1	1						
33	1	124250-49351	SENSOR	1	1						
34	1	129150-49360	GASKET	1	1						
35	1	24311-000160	O-RING, 1AP16.0	1	1						
36	1	26106-080202	BOLT, M8X 20 PLATED	3	3						
37	1	124160-39140	BOLT, PIPE JOINT M10	1	1						
38	1	124160-39450	SWITCH, 0.5KG	1	1						
39	1	129150-39450	PIPE ASSY, OIL	1							
43	1	129550-39450	PIPE ASSY, OIL		1						
47	1	171375-39600	DAMPER ASSY	1	1						
48	2	129470-39610	DAMPER	1	1						
49	2	23161-020100	BUSH, R1/4X1/8	1	1						
50	1	124550-59820	BOLT, PIPE JOINT M8	1	1						
51	1	144626-91560	SENSOR	1	1						
52	1	23414-080000	GASKET, 8X1.0	2							
53	1	23414-100000	GASKET, 10X1.0	2	2						
54	1	43400-500410	SEAL WASHER 8S		2						

Remarks  
(\$) THESE PARTS ARE SOLD BY FIG.24,  
REF.NO.1,1-1,2,2-1.



Fig.12. COOLING WATER SYSTEM

Y00D4611  
3TN84, 4TN82L-RP



D29100-42110  
D29111-42300  
D29113-4410025  
D29413-4410025  
U71340-44400  
D19888-49100  
D29100-49210  
D19600-49300  
D19888-49400  
D29488-49400  
D29100-49500  
D29100-49600

(A)=3TN84L-RP  
(B)=4TN82L-RP  
(C)=

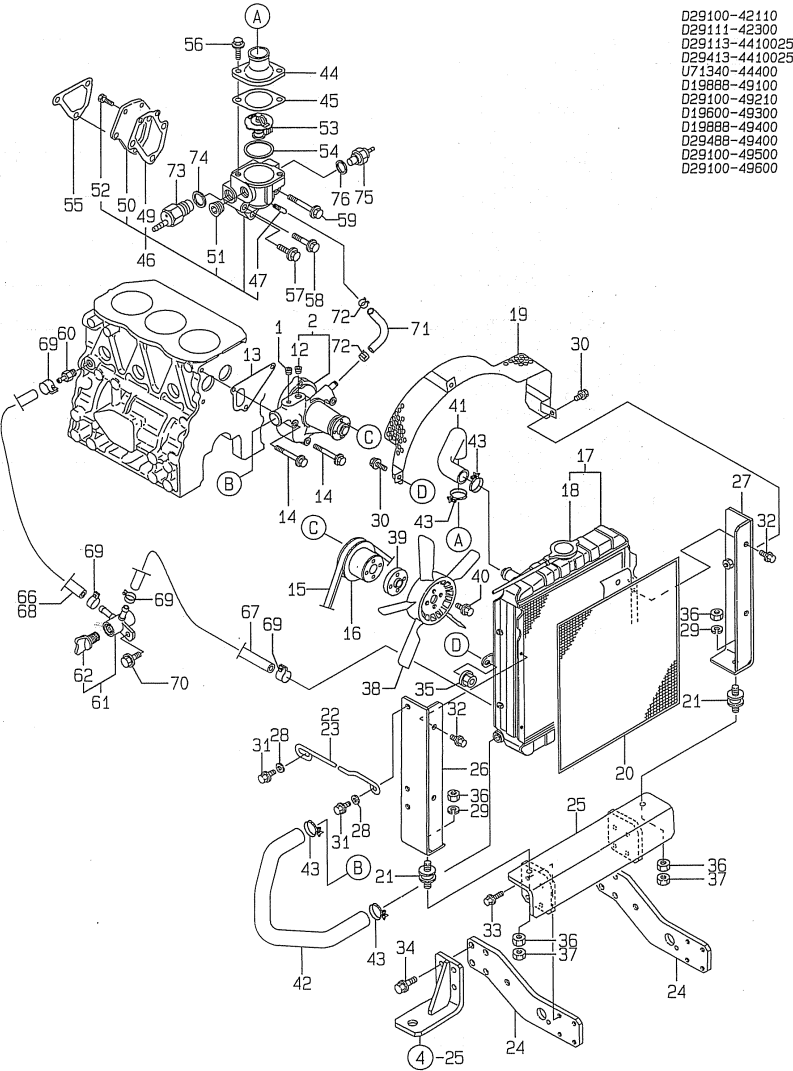
(D)=  
(E)=  
(F)=

No.	Lev.	Parts No.	Description	Q'ty						I	R
				(A)	(B)	(C)	(D)	(E)	(F)		
1	1	121850-11860	PLUG, PT1/4	1	1						
2	1	129100-42001	PUMP ASSY, WATER	1	1						
2-1	1	129100-42002	PUMP ASSY, WATER	1	1						N
(A=E28829) (B=E08875)											
12	2	23871-030000	PLUG, R03	1	1						
13	1	129100-42020	GASKET, WATER PUMP	1	1						\$
14	1	26106-080602	BOLT, M8X 60 PLATED	3	3						
15	1	124732-42290	V-BELT, AX37	1	1						
16	1	129155-42350	V-PULLEY	1	1						
17	1	171440-44500	RADIATOR	1	1						
18	2	123682-44210	CAP, RADIATOR	1	1						
19	1	129188-44560	PROTECTOR, FAN	1	1						
20	1	121250-44581	SCREEN, RADIATOR	1	1						
21	1	121400-44650	ABSORBER	2	2						
22	1	129188-44940	RETAINER, RADIATOR	1							
23	1	129413-44940	RETAINER, RADIATOR		1						
24	1	129188-44950	BRACKET	2	2						
25	1	129188-44960	BRACKET, RADIATOR	1	1						
26	1	129188-44970	SUPPORT, A	1	1						
27	1	129188-44980	SUPPORT, B	1	1						
28	1	22137-080000	WASHER, 8	2	2						
29	1	22217-100000	WASHER, SPRING 10	2	2						
30	1	26106-080122	BOLT, M8X 12 PLATED	3	3						
31	1	26106-080162	BOLT, M8X 16 PLATED	2	2						
32	1	26106-080202	BOLT, M8X 20 PLATED	4	4						
33	1	26106-080252	BOLT, M8X 25 PLATED	8	8						
34	1	26106-100302	BOLT, M10X 30 PLATED	8	8						
35	1	26366-080002	NUT, M8	3	3						
36	1	26716-100002	NUT, M10	4	4						
37	1	26756-100002	NUT, LOCK M10	2	2						
38	1	171340-44740	FAN, COOLING D335XNF	1	1						
39	1	124574-44761	SPACER, FAN	1	1						
40	1	26014-060252	BOLT, M6X 25	4	4						
41	1	171301-49010	PIPE, WATER	1	1						
42	1	171301-49020	PIPE, WATER	1	1						
43	1	23010-038000	CLAMP, 38	4	4						
44	1	129350-49530	COVER, THERMOSTAT	1	1						
45	1	129795-49550	GASKET	1	1						\$
45-1	1	129795-49551	GASKET	1	1						N \$
(A=E28829) (B=E08875)											
46	1	129100-49800	CASE ASSY, THERMOSTAT	1	1						
47	2	124770-11770	JOINT, PIPE PT1/8	1	1						
49	2	129100-49820	GASKET	1	1						
50	2	129100-49830	COVER, THERMOSTAT	1	1						
51	2	23871-030000	PLUG, R03	1	1						
52	2	26116-060162	BOLT, M6X 16 PLATED	2	2						
53	1	129155-49800	THERMOSTAT, 71	1	1						
54	1	129150-49810	GASKET, THERMOSTAT	1	1						\$
54-1	1	129150-49811	GASKET, THERMOSTAT	1	1						N \$
(A=E28829) (B=E08875)											
55	1	129100-49840	GASKET	1	1						\$

Remarks  
(\$) THESE PARTS ARE SOLD BY FIG.24,  
REF.NO.1,1-1,2,2-1.

Fig.12. COOLING WATER SYSTEM

Y00D4611  
3TN84, 4TN82L-RP



(A)=3TN84L-RP  
(B)=4TN82L-RP  
(C)=

(D)=  
(E)=  
(F)=

No.	Lev.	Parts No.	Description	Q'ty						I	R
				(A)	(B)	(C)	(D)	(E)	(F)		
56	1	26106-080202	BOLT, M8X 20 PLATED	2	2						
57	1	26106-080252	BOLT, M8X 25 PLATED	1	1						
58	1	26106-080502	BOLT, M8X 50 PLATED	1	1						
59	1	26106-080602	BOLT, M8X 60 PLATED	1	1						
60	1	121550-49111	JOINT, PT1/4	1	1						
61	1	129150-49100	COCK ASSY, 3-WAY	1	1						
62	2	129150-49080	COCK, DRAIN	1	1						
66	1	121456-49160	PIPE, WATER DRAIN		1						
67	1	121520-49160	PIPE, WATER DRAIN	1	1						
68	1	121737-49160	PIPE, WATER DRAIN	1							
69	1	124766-59050	CLIP, HOSE 12	4	4						
70	1	26106-080162	BOLT, M8X 16 PLATED	1	1						
71	1	129100-49050	PIPE, WATER	1	1						
72	1	23000-016000	CLAMP, 16	2	2						
73	1	121250-44901	SWITCH, 110	1	1						
74	1	124465-44950	GASKET, 16	1	1						
75	1	124250-49351	SENSOR	1	1						
76	1	129150-49360	GASKET	1	1						

Remarks

(S) THESE PARTS ARE SOLD BY FIG.24,  
REF.NO.1,1-1,2,2-1.

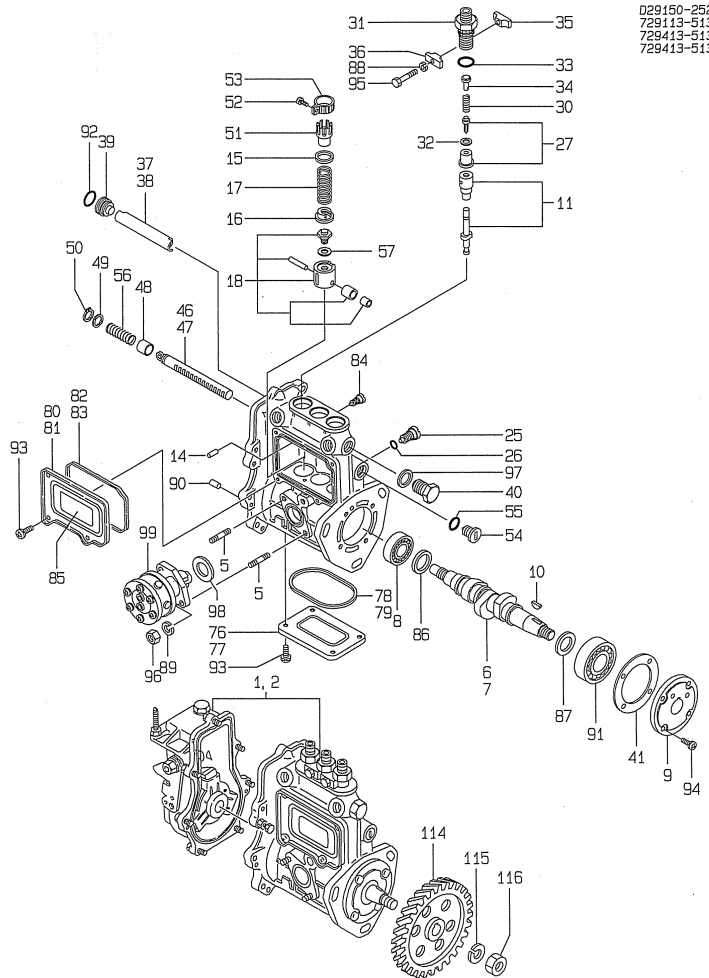
Fig.13. FUEL INJECTION PUMP

(A)=3TN84L-RP  
(B)=4TN82L-RP  
(C)=

(D)=  
(E)=  
(F)=

Y00D4611  
3TN84, 4TN82L-RP

D29150-25200  
729113-51310  
729413-51360  
729413-51310  
729413-51360



No.	Lev.	Parts No.	Description	Q'ty						I	R
				(A)	(B)	(C)	(D)	(E)	(F)		
1	1	729113-51310	PUMP ASSY, INJECTION	1							
2A	1	729413-51310	PUMP ASSY, INJECTION		1						1
2B	1	729413-51360	PUMP ASSY, INJECTION		1						2
5	2	129155-51020	STUD	2	2						
6	2	119810-51040	CAMSHAFT	1							
7	2	129470-51040	CAMSHAFT		1						
8	2	129155-51050	BEARING, 17BM001D	1	1						
9	2	129155-51060	SUPPORT, CAMSHAFT	1	1						
10	2	122710-51090	KEY	1	1						
11	2	129400-51100	PLUNGER ASSY	3	4						
14	2	129155-51140	PIN	3	4						
15	2	174307-51170	RETAINER, SPRING A	3	4						
16	2	129155-51180	RETAINER, SPRING	3	4						
17	2	124950-51190	SPRING, PLUNGER	3	4						
18	2	129155-51200	TAPPET ASSY	3	4						
25	2	129155-51270	STOPPER, TAPPET	3	4						
26	2	129155-51280	O-RING, S6	3	4						
27	2	128170-51300	VALVE ASSY, DELIVERY	3	4						
30	2	129155-51320	SPRING, DELIVERY	3	4						
31	2	129155-51340	RETAINER	3	4						
32	2	124550-51350	GASKET, DELIVERY	3	4						
33	2	124550-51370	O-RING	3	4						
34	2	129155-51370	STOPPER, VALVE	3	4						
35	2	129155-51380	STOPPER	2	2						
36	2	129155-51390	STOPPER	2	2						
37	2	129155-51400	DEFLECTOR	1							
38	2	129555-51400	DEFLECTOR		1						
39	2	129155-51410	BOLT	1	1						
40	2	129155-51420	PLUG, M16	1	1						
41	2	129155-51450	SHIM SET, ADJUSTING	1	1						
46	2	129155-51500	RACK, CONTROL	1							
47	2	129555-51500	RACK, CONTROL		1						
48	2	129155-51521	BUSH, RACK	1	1						
49	2	129155-51530	SPACER	1	1						
50	2	129155-51540	CIRCLIP	1	1						
51	2	129155-51550	PINION, CONTROL	3	4						
52	2	122117-51560	SCREW	3	4						
53	2	174307-51560	PINION	3	4						
54	2	129155-51570	PLUG, M12	1	1						
55	2	129155-51580	O-RING	1	1						
56	2	129155-51591	SPRING, RACK	1	1						
57	2	129155-51600	SHIM SET, ADJUSTING	3	4						
76	2	129155-51700	COVER	1							
77	2	129555-51700	COVER		1						
78	2	129155-51710	GASKET	1							
79	2	129555-51710	GASKET		1						
80	2	129155-51750	COVER	1							
81	2	129555-51750	COVER		1						
82	2	129155-51760	GASKET	1							
83	2	129555-51760	GASKET		1						
84	2	129155-51790	STOOPER, RACK	1	1						

Remarks  
GOVERNOR ASSY(FIG.NO.17) IS  
INCORPORATED IN THIS FUEL  
INJECTION PUMP ASSY(REF.NO.1,  
NO.2A AND NO.2B).  
(1) FOR 4TN82L-RPCL.  
(2) FOR 4TN82L-RPAVM.

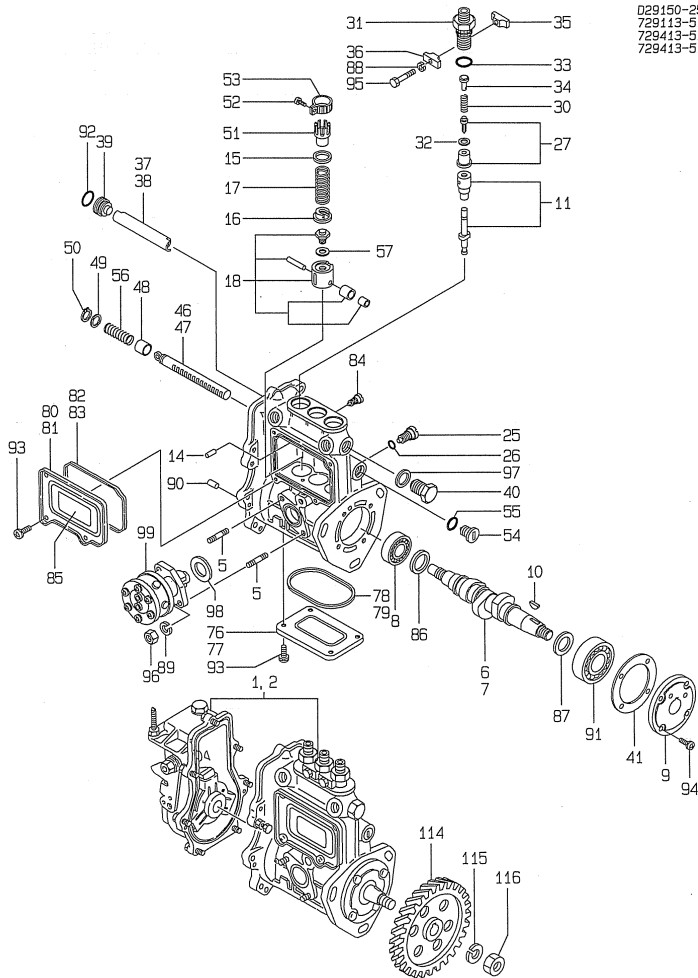
Fig.13. FUEL INJECTION PUMP

(A)=3TN84L-RP  
(B)=4TN82L-RP  
(C)=

(D)=  
(E)=  
(F)=

Y00D4611  
3TN84, 4TN82L-RP

D29150-25200  
729113-51310  
729413-51310  
729413-51360

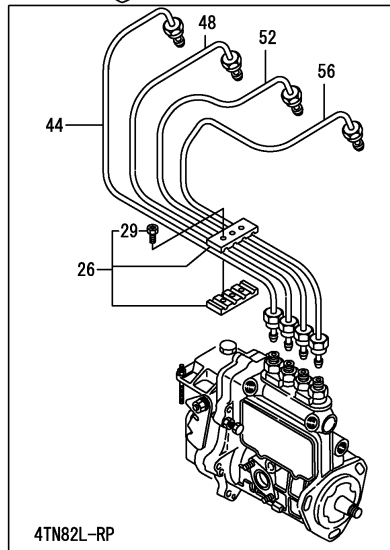
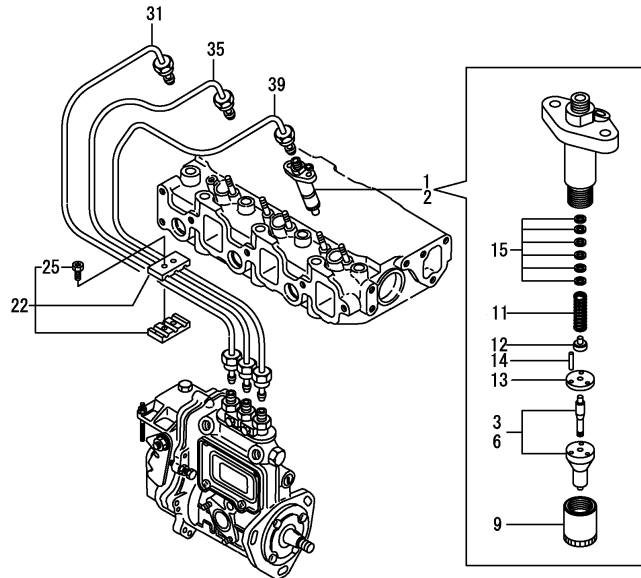


No.	Lev.	Parts No.	Description	Q'ty						I	R
				(A)	(B)	(C)	(D)	(E)	(F)		
85	2	129156-51910	LABEL, CAUTION	1	1						
86	2	129155-51930	SPACER, T=3.25	1	1						
87	2	129155-51940	SPACER, T=1.5	1	1						
88	2	22217-050000	WASHER, SPRING 5	2							Z
(A=EXXX)											
89	2	22217-060000	WASHER, SPRING 6	2	2						
90	2	22351-050010	PIN, SPRING 5.0X10	2	2						
91	2	24101-063034	BEARING, BALL 6303	1	1						
92	2	24341-000160	O-RING, 1AS16.0	1	1						
93	2	26022-050102	SCREW, M5X10	8	11						
94	2	26022-060162	SCREW, M6X16	4	4						
95	2	26116-050302	BOLT, M5X 30 PLATED	2	2						
96	2	26716-060002	NUT, M6	2	2						
97	2	43400-500490	SEAL WASHER 16S	1	1						
98	2	129155-52050	GASKET	1	1						
99	2	129491-52100	PUMP ASSY, FUEL FEED	1	1						
114	1	129150-25900	GEAR, PUMP	1	1						
115	1	22217-120000	WASHER, SPRING 12	1	1						
116	1	26716-120002	NUT, M12	1	1						

Remarks  
GOVERNOR ASSY(FIG.NO.17) IS  
INCORPORATED IN THIS FUEL  
INJECTION PUMP ASSY(REF.NO.1,  
NO.2A AND NO.2B).  
(1) FOR 4TN82L-RPCL.  
(2) FOR 4TN82L-RPVM.

Fig.14. FUEL OIL PIPES

3TN84, 4TN82L-RP



(A)=3TN84L-RP  
(B)=4TN82L-RP  
(C)=

(D)=  
(E)=  
(F)=

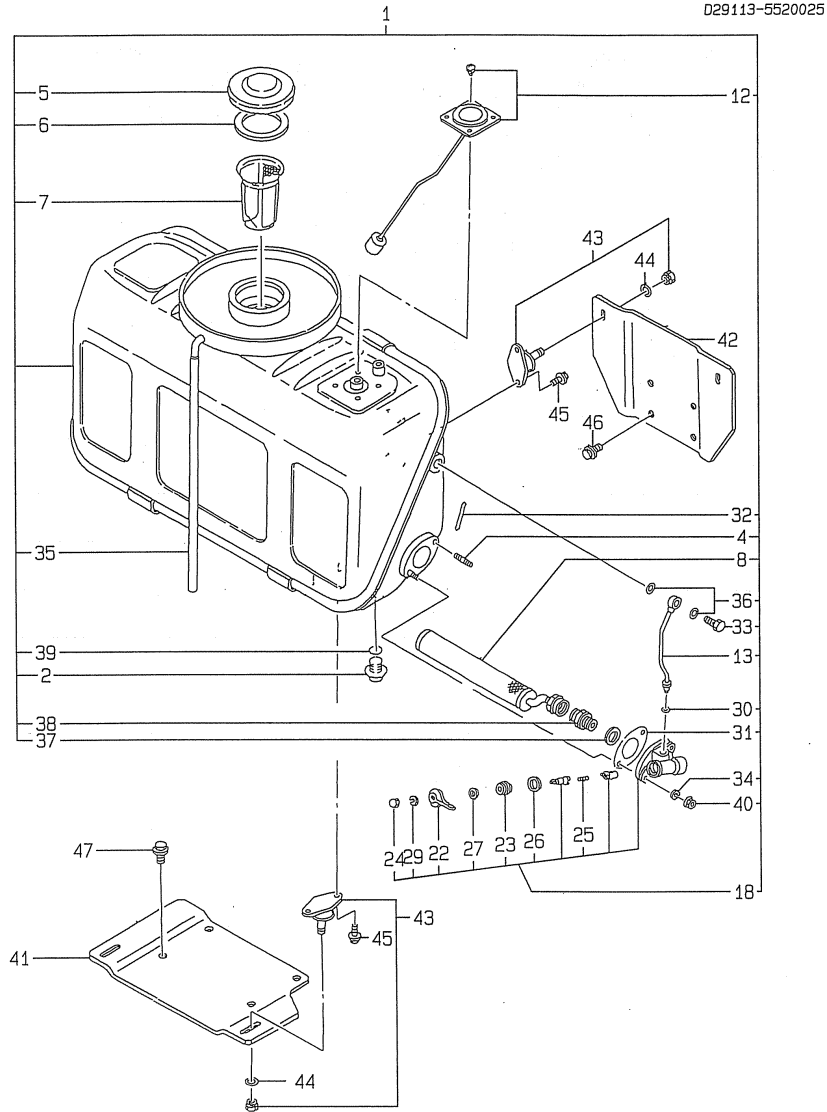
No.	Lev.	Parts No.	Description	Qty						I	R
				(A)	(B)	(C)	(D)	(E)	(F)		
1	1	719800-53300	VALVE ASSY,INJECTION	3	4						1
2	1	729500-53300	VALVE ASSY,INJECTION		4						2
3	2	119800-53000	VALVE ASSY,INJECTION	3	4						1
6	2	129500-53000	VALVE ASSY,INJECTION		4						2
9	2	114250-53080	NUT, NOZZLE D16.95	3	4						
11	2	114250-53120	SPRING, NOZZLE	3	4						
12	2	114250-53130	SEAT, SPRING	3	4						
13	2	114250-53140	PLATE	3	4						
14	2	114250-53210	PIN	6	8						
15	2	114250-53400	SHIM SET	3	4						
22	1	129150-59120	RETAINER, PIPE	1							
25	2	129150-59130	BOLT, M4X12	2							
26	1	129550-59120	RETAINER, PIPE		1						
29	2	129150-59130	BOLT, M4X12		2						
31	1	129100-59910	PIPE ASSY, INJECTION	1							
35	1	129100-59920	PIPE ASSY, INJECTION	1							
39	1	129100-59930	PIPE ASSY, INJECTION	1							
44	1	129400-59910	PIPE ASSY, INJECTION		1						
48	1	129400-59920	PIPE ASSY, INJECTION		1						
52	1	129400-59930	PIPE ASSY, INJECTION		1						
56	1	129400-59940	PIPE ASSY, INJECTION		1						

Remarks

- (1) FOR 4TN82L-RPCL.
- (2) FOR 4TN82L-RPAVM.

# Fig.15. FUEL OIL TANK

Y00D4611  
3TN84, 4TN82L-RP



(A)=3TN84L-RP  
(B)=4TN82L-RP  
(C)=

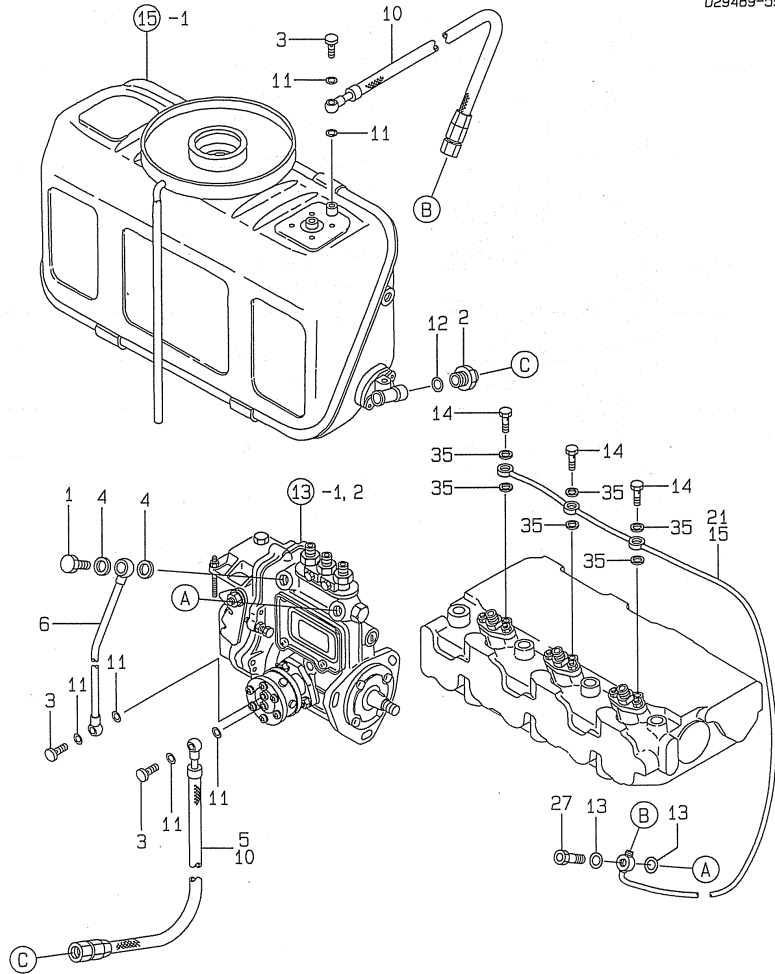
(D)=  
(E)=  
(F)=

No.	Lev.	Parts No.	Description	Qty						I	R
				(A)	(B)	(C)	(D)	(E)	(F)		
1	1	129113-55100	TANK ASSY, FUEL	1	1						
2	2	124060-01640	PLUG, M12	1	1						
4	3	26216-060182	STUD, M6X 18	2	2						
5	2	105302-55040	CAP, FUEL TANK	1	1						
6	2	101504-55051	GASKET	1	1						
7	2	101504-55101	STRAINER, FUEL	1	1						
8	2	129113-55200	STRAINER ASSY, FUEL	1	1						
12	2	129113-55210	GAUGE, LEVEL	1	1						
13	2	104300-55250	PIPE	1	1						
18	2	704800-55310	COCK ASSY, FUEL	1	1						
22	3	101200-55341	HANDLE	1	1						
23	3	101200-55351	SEAT, PLUNGER SPRING	1	1						
24	3	101200-55360	NUT, CAP	1	1						
25	3	101200-55371	SPRING, VALVE	1	1						
26	3	101200-55380	GASKET	1	1						
27	3	101200-55490	O-RING	1	1						
29	3	22217-060000	WASHER, SPRING 6	1	1						
30	2	104300-55320	GASKET	1	1						
31	2	101100-55390	GASKET	1	1						
32	2	112100-55420	LABEL	1	1						
33	2	101147-59810	BOLT, PIPE JOINT M8	1	1						
34	2	22217-060000	WASHER, SPRING 6	2	2						
35	2	23061-070330	PIPE, 7X 330	1	1						
36	2	23414-080000	GASKET, 8X1.0	2	2						
37	2	23414-160000	GASKET, 16X1.0	1	1						
38	2	23831-100000	UNION, 10	1	1						
39	2	24311-000140	O-RING, 1AP14.0	1	1						
40	2	26366-060002	NUT, M6	2	2						
41	1	129113-55800	BRACKET, FUEL TANK	1	1						
42	1	129113-55830	SUPPORT	1	1						
43	1	171048-55850	ABSORBER	4	4						
44	1	22117-080000	WASHER, 8	4	4						
45	1	26106-060142	BOLT, M6X 14 PLATED	8	8						
46	1	26106-080142	BOLT, M8X 14 PLATED	4	4						
47	1	26106-100182	BOLT, M10X 18 PLATED	4	4						

# Fig.16. FUEL OIL TANK

Y00D4611  
3TN84, 4TN82L-RP

D29113-59201  
D29189-59300  
D29489-59300



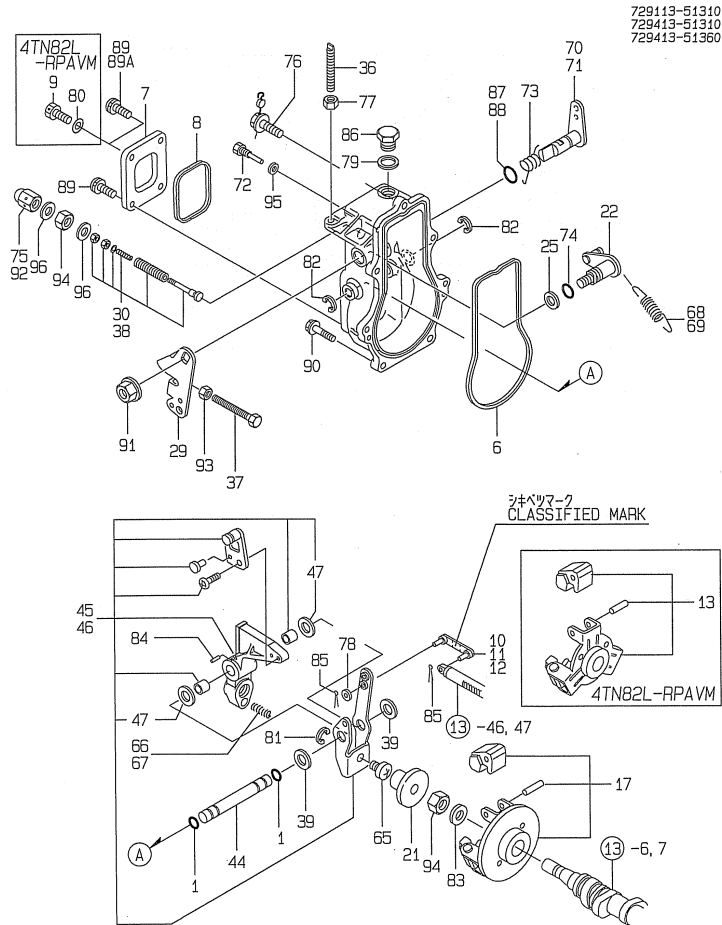
(A)=3TN84L-RP  
(B)=4TN82L-RP  
(C)=

(D)=  
(E)=  
(F)=

No.	Lev.	Parts No.	Description	Q'ty						I	R
				(A)	(B)	(C)	(D)	(E)	(F)		
1	1	103854-39140	BOLT, PIPE JOINT	1	1						
2	1	171049-59010	UNION, M18XPT1/4	1	1						
3	1	105582-59150	BOLT, PIPE JOINT	3	3						
4	1	104200-59170	GASKET, 12	2	2						
5	1	129113-59201	PIPE, 8AXL480	1	1						Z
		(A=EXXX)	(B=EXXX)								
6	1	129113-59510	PIPE ASSY, FUEL	1	1						
10	1	129113-59600	PIPE, 8AXL800	2	2						
11	1	23414-080012	GASKET, 8X1.0	6	6						
12	1	23414-100000	GASKET, 10X1.0	1	1						
13	1	104200-59170	GASKET, 12	2	2						
14	1	129491-59540	BOLT, PIPE JOINT M6	3	4						
15	1	129189-59550	PIPE ASSY, RETURN	1							
21	1	129489-59550	PIPE ASSY, RETURN		1						
27	1	129100-59951	VALVE ASSY, CHECK	1	1						
35	1	23414-060000	GASKET, 6X1.0	6	8						

Fig.17. GOVERNOR

Y00D4611  
3TN84, 4TN82L-RP



(A)=3TN84L-RP  
(B)=4TN82L-RP  
(C)=

(D)=  
(E)=  
(F)=

No.	Lev.	Parts No.	Description	Q'ty						I	R
				(A)	(B)	(C)	(D)	(E)	(F)		
1	1	129155-51280	O-RING, S6	2	2						
6	1	129155-61050	GASKET	1	1						
7	1	129155-61060	COVER, GOVERNOR CASE	1	1						
8	1	129155-61070	GASKET	1	1						
9	1	129155-61090	BOLT		1						2
10	1	129155-61120	LINK, L=30 MARK 0	1	1						3
11	1	129155-61130	LINK, L=31 MARK 1	1	1						3
12	1	129155-61140	LINK, L=30.5 MARK 05	1	1						3
13	1	129155-61201	WEIGHT ASSY,GOVERNOR		1						2
17	1	171488-61200	WEIGHT ASSY,GOVERNOR	1	1						1
21	1	129155-61341	SLEEVE	1	1						
22	1	129100-61400	SHAFT ASSY	1	1						
25	1	129155-61430	SPACER	1	1						
29	1	129100-61440	LEVER, CONTROL	1	1						
30	1	129100-61450	LIMITER ASSY, FUEL		1						2
36	1	129155-61450	BOLT, LIMITER	1	1						
37	1	129155-61460	BOLT, IDLE	1	1						
38	1	129155-61470	BOLT, CONTROL	1	1						1
39	1	129155-61480	SPACER ASSY	2	2						
44	1	129155-61490	SHAFT	1	1						
45	1	129100-61500	LEVER ASSY, GOVERNOR	1	1						1
45-1	1	129100-61501	LEVER ASSY, GOVERNOR	1	1						N 1
(A=E50528) (B=E12977)											
46	1	129500-61500	LEVER ASSY, GOVERNOR		1						2
47	2	174307-51700	SHIM SET	2	2						
60	2	129155-61530	BUSH	2	2						
60-1	2	119843-61550	BUSH	2	2						N
(A=EXXX) (B=EXXX)											
64	2	26022-060122	SCREW, M6X12	1	1						
65	1	129155-61540	SHIFTER	1	1						
66	1	129100-61650	SPRING, CONTROLLER		1						2
67	1	129500-61650	SPRING, FUEL CONTROL	1	1						1
68	1	171353-61710	SPRING, GOVERNOR		1						2
69	1	129477-61720	SPRING, GOVERNOR	1	1						1
70	1	129155-61802	LEVER, STOP		1						2
71	1	129400-61801	LEVER, STOP	1	1						1
72	1	129155-61810	PIN	1	1						
73	1	129100-61821	SPRING, RETURN	1	1						
74	1	129155-61830	O-RING, S10	1	1						
75	1	129100-61930	NUT, CAP		1						2
76	1	129155-61950	BOLT	1	1						
77	1	124550-66370	NUT, M6	1	1						
78	1	22117-040000	WASHER, 4	1	1						
79	1	43400-500430	SEAL WASHER 10S	1	1						
80	1	22217-050000	WASHER, SPRING 5		1						2
81	1	22272-000040	RING, E- 4	1	1						
82	1	22272-000060	RING, E- 6	2	2						
83	1	22287-120000	WASHER, 12	1	1						
84	1	22351-030016	PIN, SPRING 3.0X16	1	1						
85	1	22360-040000	PIN, SNAP 4	2	2						
85-1	1	22372-040000	PIN, SNAP 4	2	2						R

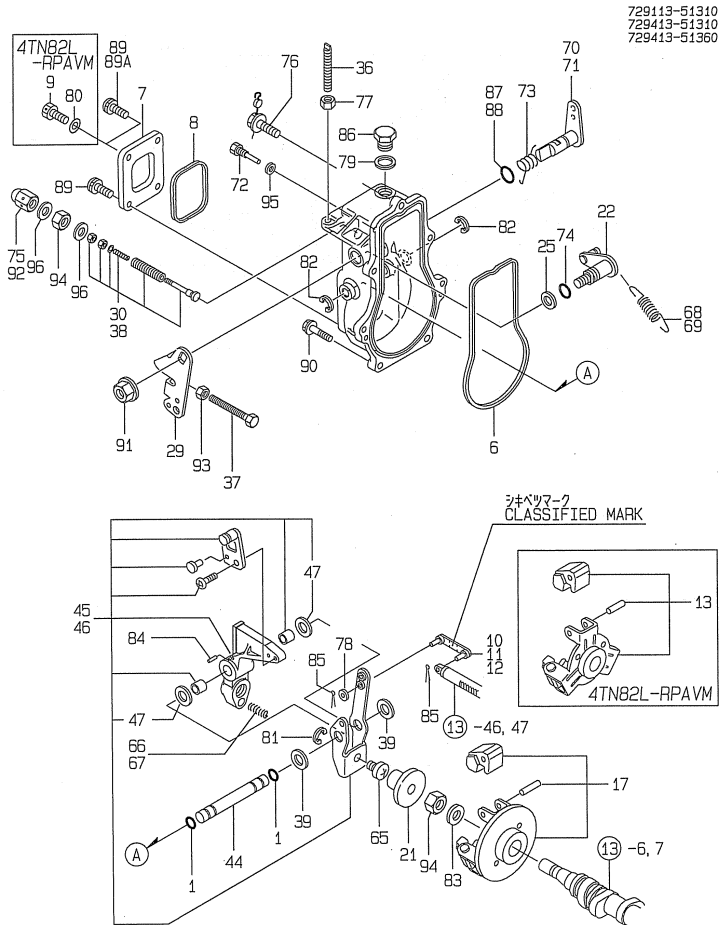
Remarks

- (1) FOR 4TN82L-RPCL.
- (2) FOR 4TN82L-RP/AVM.
- (3) SELECTIVE PARTS : CERTAIN THE CLASSIFICATION MARK, THEN PLACE YOUR ORDER.(ILLUSTRATION)



Fig.17. GOVERNOR

Y00D4611  
3TNB4, 4TNB2L-RP



(A)=3TN84L-RP  
(B)=4TN82L-RP  
(C)=

(D)=  
(E)=  
(F)=

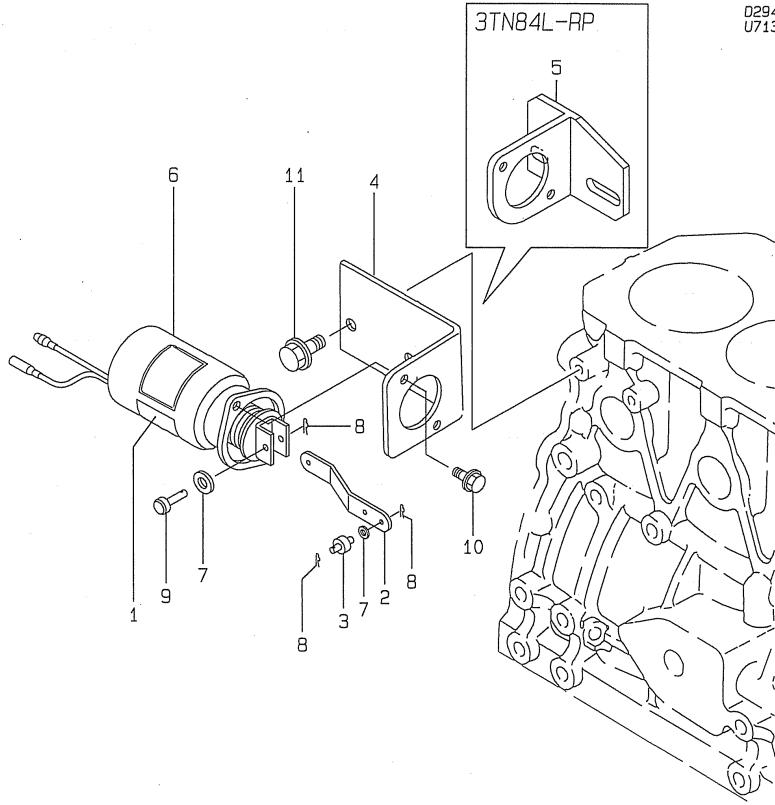
No.	Lev.	Parts No.	Description	Q'ty						I	R
				(A)	(B)	(C)	(D)	(E)	(F)		
		(A=E35939) (B=E09649)									
86	1	23887-100002	PLUG, 10	1	1						
87	1	24311-000080	O-RING, 1AP8.0		1						2
88	1	24311-240100	O-RING, 1AP10A	1	1						1
89	1	26022-050102	SCREW, M5X10	4	4						
89-1	1	26022-050102	SCREW, M5X10	2	2						K
		(A=E50528) (B=E12977)									
89A	1	26023-050102	SCREW, M5X10	2	2						W
		(A=E50528) (B=E12977)									
90	1	26106-060202	BOLT, M6X 20 PLATED	6	6						
91	1	26366-080002	NUT, M8	1	1						
92	1	26687-120002	NUT, CAP M12	1	1						1
93	1	26756-060002	NUT, LOCK M6	1	1						
94	1	26776-120002	NUT, LOCK M12	2	2						
95	1	43400-500390	SEAL WASHER 6S	1	1						
96	1	43400-500450	SEAL WASHER 12S	2	2						

Remarks

- (1) FOR 4TN82L-RPCL.
- (2) FOR 4TN82L-RPAVM.
- (3) SELECTIVE PARTS : CERTAIN THE CLASSIFICATION MARK, THEN PLACE YOUR ORDER.(ILLUSTRATION)

# Fig.18. ENGINE STOP SOLENOID

Y00D4611  
3TN84, 4TN82L-RP



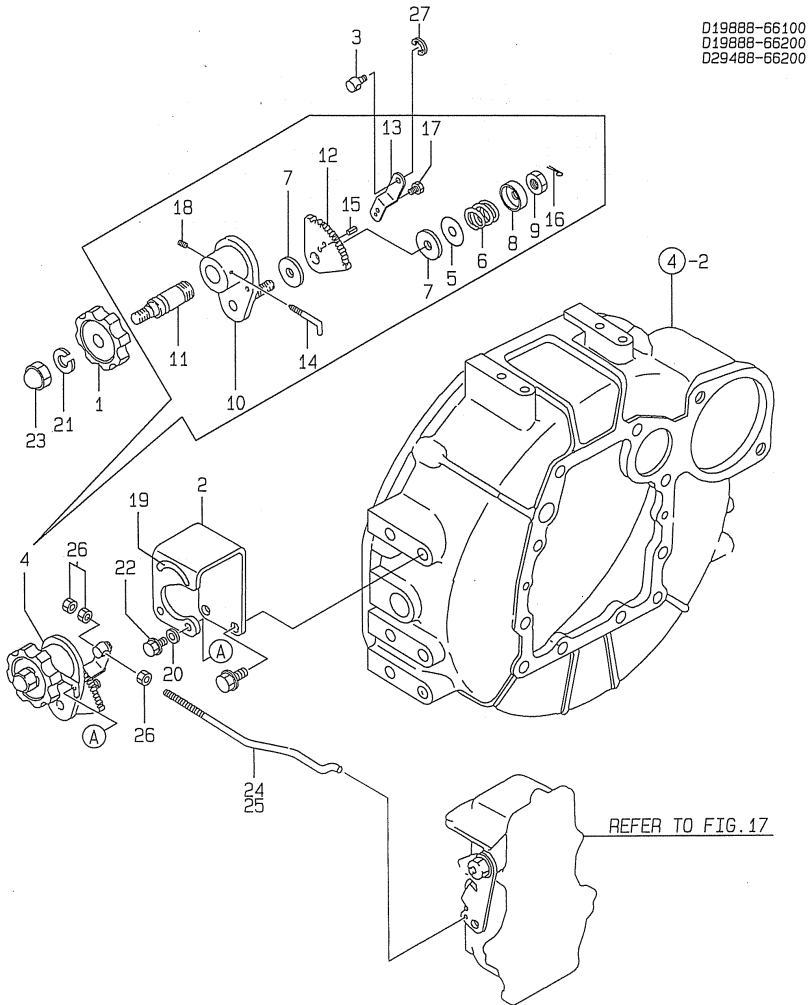
(A)=3TN84L-RP  
(B)=4TN82L-RP  
(C)=

(D)=  
(E)=  
(F)=

No.	Lev.	Parts No.	Description	Qty						I	R
				(A)	(B)	(C)	(D)	(E)	(F)		
1	1	171010-65100	LABEL	1	1						
2	1	171335-65110	LINK, SOLENOID	1	1						
3	1	171335-65120	PIN	1	1						
4	1	129410-65130	BRACKET, SOLENOID		1						
5	1	171335-65130	BRACKET, SOLENOID	1							
6	1	171335-77951	SOLENOID, MAGNETIC	1	1						
7	1	22117-050000	WASHER, 5	1	1						
8	1	22360-050000	SNAP PIN 5	3	3						
9	1	22487-050160	PIN, H 5X 16	1	1						
10	1	26106-060122	BOLT, M6X 12 PLATED	2	2						
11	1	26106-080142	BOLT, M8X 14 PLATED	2	2						

Fig.19. CONTROL DEVICE

Y00D4611  
3TNB4, 4TNB2L-RP



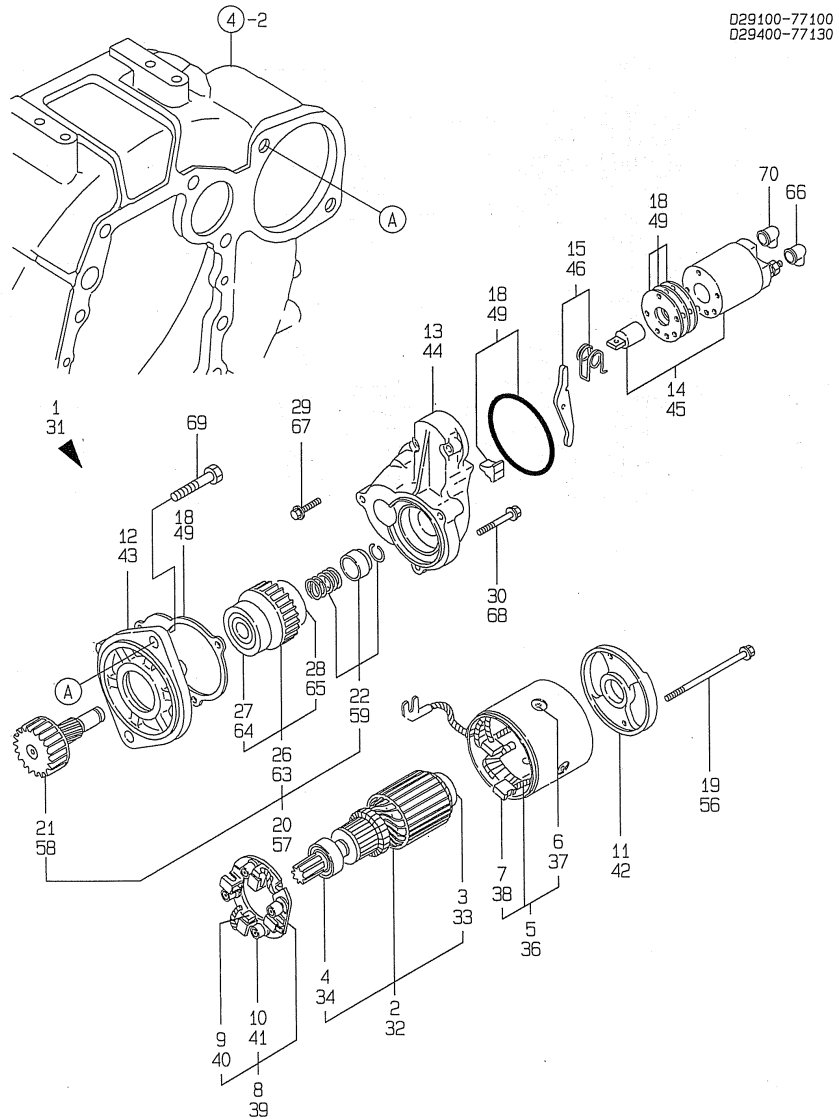
D19888-66100  
D19888-66200  
D29488-66200

No.	Lev.	Parts No.	Description	Q'ty						I	R
				(A)	(B)	(C)	(D)	(E)	(F)		
1	1	126650-66020	HANDLE, REGULATOR	1	1						
2	1	119888-66110	BRACKET	1	1						
3	1	119888-66130	PIVOT	1	1						
4	1	171048-67010	CONTROLLER ASSY	1	1						
5	2	171102-66080	WASHER	1	1						
6	2	104200-66820	SPRING	1	1						
7	2	104200-66830	PLATE, FRICTION	2	2						
8	2	104200-66850	WASHER	1	1						
9	2	104200-66860	NUT	1	1						
10	2	171085-67100	BRACKET	1	1						
11	2	171085-67110	SHAFT, DRIVE	1	1						
12	2	171085-67120	GEAR	1	1						
13	2	171048-67130	LEVER	1	1						
14	2	171048-67140	STOPPER	1	1						
15	2	22351-020006	PIN, SPRING 2.0X 6	1	1						
16	2	22411-200150	COTTER PIN	1	1						
17	2	26116-060082	BOLT, M6X 8 PLATED	1	1						
18	2	26921-050122	SCREW, M5X12	1	1						
19	1	170064-67210	LABEL, HANDLE	1	1						
20	1	22117-100000	WASHER, 10	1	1						
21	1	22217-100000	WASHER, SPRING 10	1	1						
22	1	26106-060102	BOLT, M6X 10 PLATED	2	2						
23	1	26657-100002	NUT, CAP M10	1	1						
24	1	119888-66120	LINK, ENGINE CONTROL	1							
25	1	129488-66120	LINK, ENGINE CONTROL		1						
26	1	26756-050002	NUT, LOCK M5	3	3						
27	1	22272-000050	RING, E- 5	1	1						W

(A=E47426) (B=E12315)

Fig.20. STARTING MOTOR

Y00D4611  
3TNB4, 4TNB2L-RP



D29100-77100  
D29400-77130

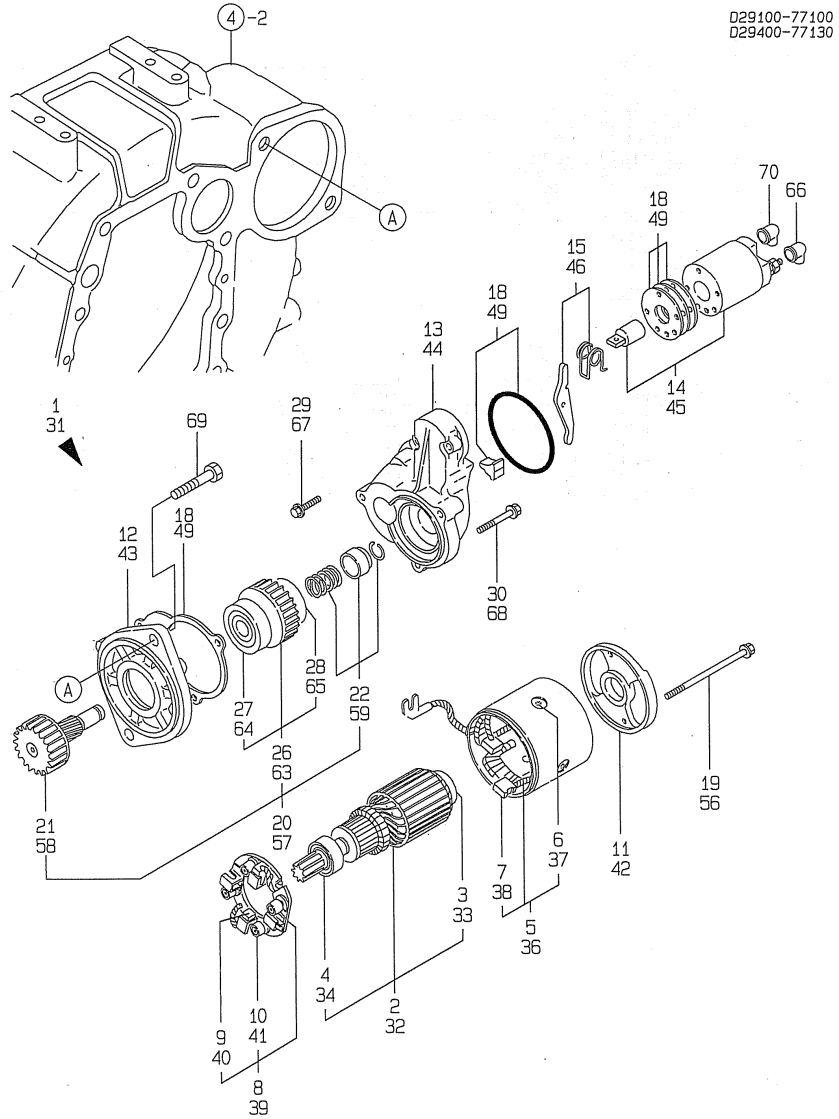
(A)=3TN84L-RP  
(B)=4TN82L-RP  
(C)=

(D)=  
(E)=  
(F)=

No.	Lev.	Parts No.	Description	Q'ty						I	R
				(A)	(B)	(C)	(D)	(E)	(F)		
1	1	129400-77010	STARTER, S13-94		1						
1-1	1	129400-77011	STARTER, S13-94A (B=E08875)		1						N
2	2	129400-77400	ARMATURE ASSY		1						
3	3	171008-77410	BEARING		1						
4	3	171008-77420	BEARING		1						
5	2	129400-77440	COIL ASSY, FIELD		1						
6	3	171008-77450	SCREW		4						
7	3	129400-77460	BRUSH (+)		2						
8	2	129400-77470	HOLDER ASSY, BRUSH		1						
9	3	129400-77480	BRUSH (-)		2						
10	3	129400-77490	SPRING		4						
11	2	129400-77510	COVER, REAR		1						
12	2	171008-77510	CASE, GEAR		1						
13	2	129400-77520	HOUSING		1						
14	2	129400-77530	SWITCH ASSY, MAGNETIC		1						
15	2	171008-77540	LEVER SET		1						
18	2	129400-77570	COVER KIT, DUST		1						
19	2	129400-77640	BOLT, THROUGH		2						
20	2	171008-77650	PINION ASSY		1						
21	3	171008-77660	SHAFT		1						
22	3	171008-77670	STOPPER SET		1						
26	3	171008-77720	CLUTCH ASSY		1						
27	4	171008-77730	BEARING, BALL		1						
28	4	171008-77740	BEARING		1						
29	2	26106-060322	BOLT, M6X 32 PLATED		2						
30	2	26106-060402	BOLT, M6X 40 PLATED		3						
31	1	171008-77010	STARTER, S114-483		1						
32	2	171008-77400	ARMATURE ASSY		1						
33	3	171008-77410	BEARING		1						
34	3	171008-77420	BEARING		1						
36	2	171008-77440	COIL ASSY, FIELD		1						
37	3	171008-77450	SCREW		4						
38	3	171008-77460	BRUSH (+)		2						
39	2	171008-77470	HOLDER ASSY, BRUSH		1						
40	3	171008-77480	BRUSH (-)		2						
41	3	171008-77490	SPRING, BRUSH		4						
42	2	171008-77500	COVER, REAR		1						
43	2	171008-77510	CASE, GEAR		1						
44	2	171008-77520	HOUSING, CENTER		1						
45	2	171008-77530	SWITCH, MAGNETIC		1						
46	2	171008-77540	LEVER SET		1						
49	2	171008-77570	COVER KIT, DUST		1						
49-1	2	171008-75571	COVER KIT (A=E32759)		1						N
56	2	171008-77640	BOLT, THROUGH		2						
57	2	171008-77650	PINION ASSY		1						
58	3	171008-77660	SHAFT		1						
59	3	171008-77670	STOPPER SET		1						
63	3	171008-77720	CLUTCH ASSY		1						
64	4	171008-77730	BEARING, BALL		1						

Fig.20. STARTING MOTOR

Y00D4611  
3TN84, 4TN82L-RP



(A)=3TN84L-RP  
(B)=4TN82L-RP  
(C)=

(D)=  
(E)=  
(F)=

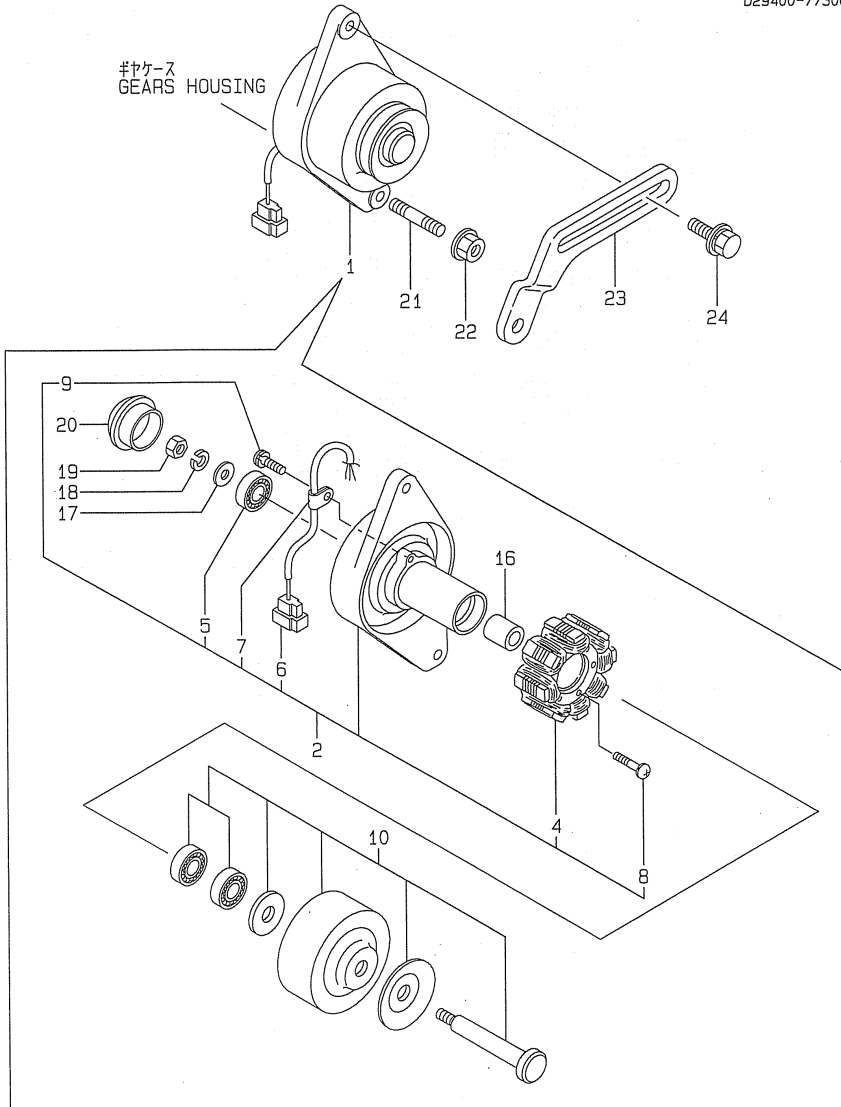
No.	Lev.	Parts No.	Description	Q'ty						I	R
				(A)	(B)	(C)	(D)	(E)	(F)		
65	4	171008-77740	BEARING	1							
66	2	171008-77750	COVER	1							
67	2	26106-060322	BOLT, M6X 32 PLATED	2							
68	2	26106-060402	BOLT, M6X 40 PLATED	3							
69	1	26116-120252	BOLT, M12X 25 PLATED	2	2						
70	1	124550-77030	COVER, TERMINAL	1	1						

# Fig.21. GENERATOR

Y00D4611  
3TN84, 4TN82L-RP

D29410-77200  
D29400-77300

ギヤケース  
GEARS HOUSING



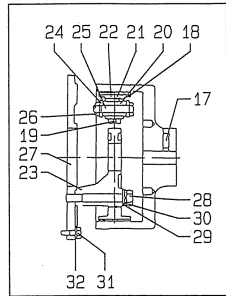
(A)=3TN84L-RP  
(B)=4TN82L-RP  
(C)=

(D)=  
(E)=  
(F)=

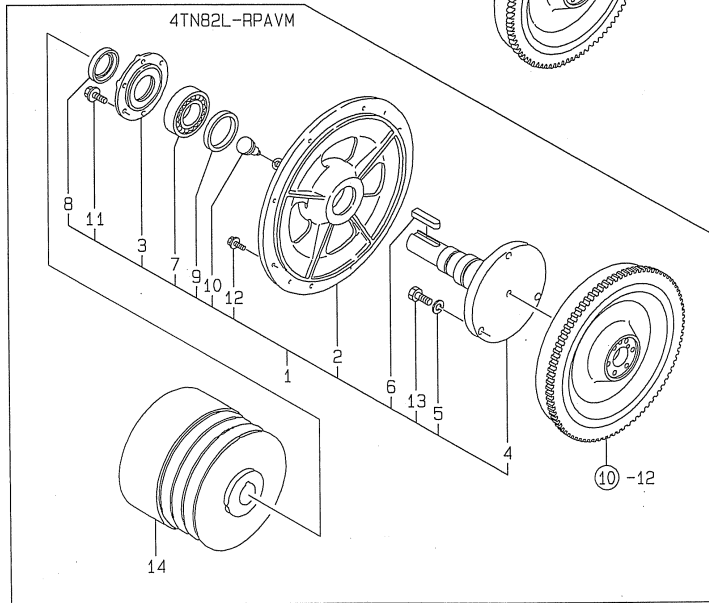
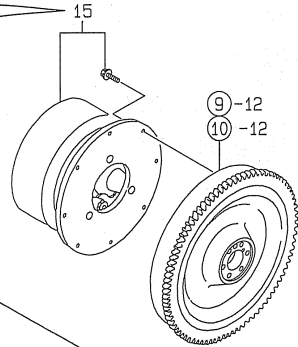
No.	Lev.	Parts No.	Description	Q'ty						I	R
				(A)	(B)	(C)	(D)	(E)	(F)		
1	1	171301-77201	DYNAMO ASSY, 15A	1	1						
2	2	XM08137	PLATE ASSY	1	1						
4	3	XM08180	STATOR SET	1	1						
5	3	XM27436	BEARING, BALL	1	1						
6	3	XM17878	COUPLER	1	1						
7	3	XM36410	CLAMP	1	1						
8	3	26022-040252	SCREW, M4X25	2	2						
9	3	XYSPS4008	SCREW	1	1						
10	2	XM82184	FLYWHEEL ASSY	1	1						
16	2	106383-44720	SPACER	1	1						
17	2	106383-44730	WASHER	1	1						
18	2	22212-100000	SPRING WASHER 10	1	1						
19	2	26716-100002	NUT, M10	1	1						
20	2	XM61014	CAP	1	1						
21	1	121450-01570	STUD	1	1						
22	1	26366-100002	NUT, M10	1	1						
23	1	129400-77330	ADJUSTER	1	1						
24	1	26014-080252	BOLT, M8X 25	1	1						

Fig.22. OUT PUT SHAFT & CLUTCH

Y00D4611  
3TN84, 4TN82L-RP



D19888-89100  
D29113-93100  
D29413-93100



(A)=3TN84L-RP  
(B)=4TN82L-RP  
(C)=

(D)=  
(E)=  
(F)=

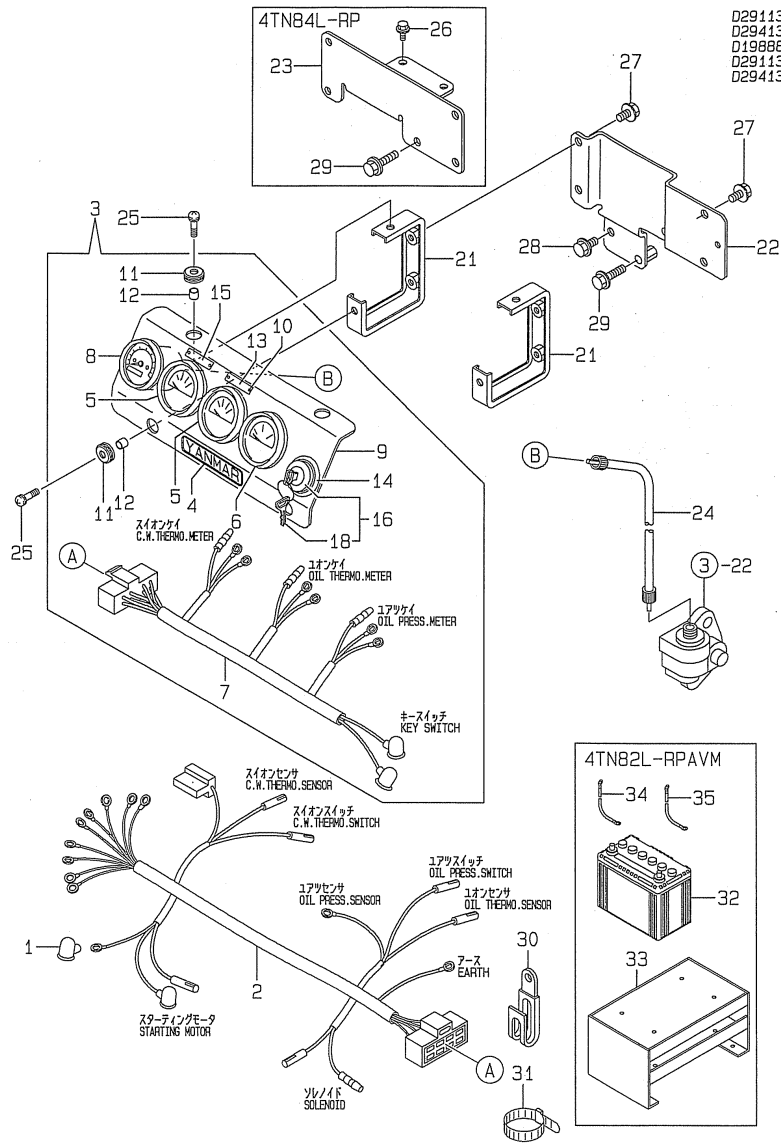
No.	Lev.	Parts No.	Description	Q'ty						I	R	
				(A)	(B)	(C)	(D)	(E)	(F)			
1	1	119888-89100	SHAFT, STUB		1							2
2	2	119888-89110	HOUSING, BEARING		1							
3	2	171048-89120	CASE, OIL SEAL		1							
4	2	119888-89210	SHAFT		1							
5	2	22217-120000	WASHER, SPRING 12		3							
6	2	22512-100700	KEY, 10X 70		1							
7	2	24151-222090	BEARING, 22209		1							
8	2	24421-456209	SEAL, OIL TC456209		1							
9	2	24421-557209	SEAL, OIL TC557209		1							
10	2	24754-320020	CUP, GREASE 32X1/4		1							
11	2	26106-080202	BOLT, M8X 20 PLATED		6							
12	2	26106-100252	BOLT, M10X 25 PLATED		8							
13	2	26206-120352	BOLT, M12X 35 PLATED		3							
14	1	45100-502350	CLUTCH ASSY, CP-73H		1							2
15	1	45100-502300	CLUTCH ASSY, FA-73H		1	1						1
17	2	XJC410244	SCREW, M10X20		1	1						
18	2	X4SC20017	SHOE		3	3						
19	2	XJC410224	SCREW, M6X6		6	6						
20	2	X4SC21082	BUSH		6	6						
21	2	X3SC20051	LINING		3	3						
22	2	XJC40031	RIVET		3	3						
23	2	X2SC20211	HOSE		1	1						
24	2	X4SC20025	PLATE		6	6						
25	2	XJC40007	BOLT		6	6						
26	2	XJC40092	NUT		1	1						
27	2	X3SC21363	ADAPTER		1	1						
28	2	XJC40019	BOLT, M12X90		3	3						
29	2	XJC4101410	WASHER		3	3						
30	2	XJC4101313	WASHER, SPRING		3	3						
31	2	XJC410597	BOLT, M8X25		8	8						
32	2	XJC4101311	WASHER, SPRING		8	8						

Remarks

- (1) FOR 4TN82L-RPCL.
- (2) FOR 4TN82L-RPAVM.

Fig.23. INSTRUMENT PANEL

Y00D4611  
3TN84, 4TN82L-RP



D29113-91200  
D29413-91200  
D19888-91510  
D29113-93100  
D29413-93100

(A)=3TN84L-RP  
(B)=4TN82L-RP  
(C)=

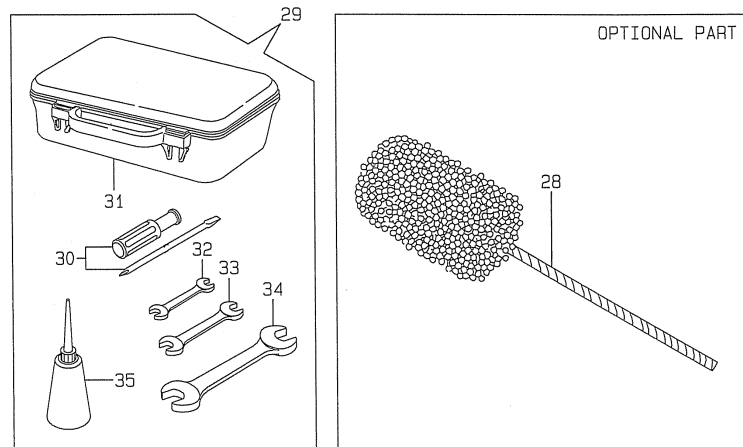
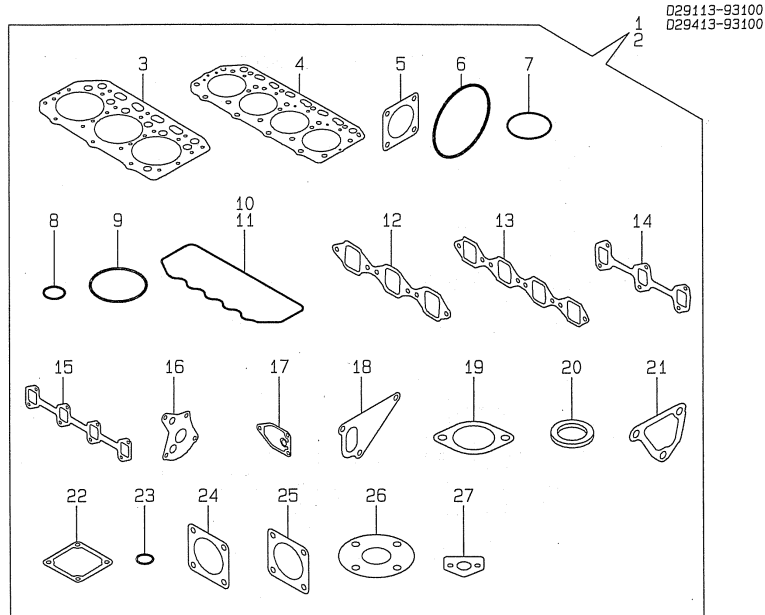
(D)=  
(E)=  
(F)=

No.	Lev.	Parts No.	Description	Q'ty						I	R
				(A)	(B)	(C)	(D)	(E)	(F)		
1	1	124550-77030	COVER, TERMINAL	1							
2	1	129113-91020	HARNESS, WIRE	1	1						
3	1	129113-91100	PANEL ASSY	1	1						
4	2	104704-07090	LABEL	1	1						
4-1	2	104507-07190	LABEL, YANMAR	1	1						R
		(A=E46223) (B=E12027)									
5	2	171010-77850	THERMOSTAT	2	2						
6	2	171090-91010	GAUGE	1	1						
7	2	129113-91030	HARNESS, WIRE	1	1						
8	2	171011-91100	TACHOMETER	1	1						
9	2	129113-91110	PANEL	1	1						
10	2	137900-91451	RIVET	4	4						
11	2	121400-91520	ABSORBER	4	4						
12	2	121400-91530	SPACER	4	4						
13	2	132310-91900	LABEL(L.O PRESSURE)	1	1						
14	2	171048-91900	LABEL	1	1						
15	2	132310-91920	LABEL(C.W PRESSURE)	1	1						
16	2	933110-00100	SWITCH ASSY, STARTER	1	1						
18	3	933110-00301	KEY ASSY	1	1						
21	1	119888-91120	SUPPORT	2	2						
22	1	129113-91130	BRACKET, PANEL	1							
23	1	129413-91130	BRACKET, PANEL		1						
24	1	121400-91140	SHAFT	1	1						
25	1	26033-060202	SCREW M 6X 20	4	4						
26	1	26106-060122	BOLT, M6X 12 PLATED		2						
27	1	26106-080122	BOLT, M8X 12 PLATED	4	4						
28	1	26106-080162	BOLT, M8X 16 PLATED	2							
29	1	26106-080302	BOLT, M8X 30 PLATED	1	1						
30	1	194180-51640	CLAMP, HARNESS	1	1						
31	1	121750-59890	BAND, 140	1	1						
32	1	105808-77600	BATTERY, HS100E		1						
33	1	105808-77610	STAY		1						
34	1	105198-77650	WIRE, LEAD		1						
35	1	105198-77660	WIRE, LEAD		1						



# Fig.24. GASKET SET & TOOL

Y00D4611  
3TN84, 4TN82L-RP

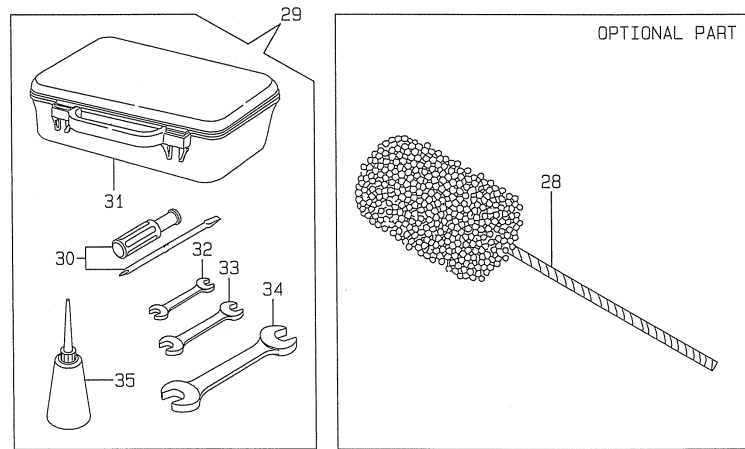
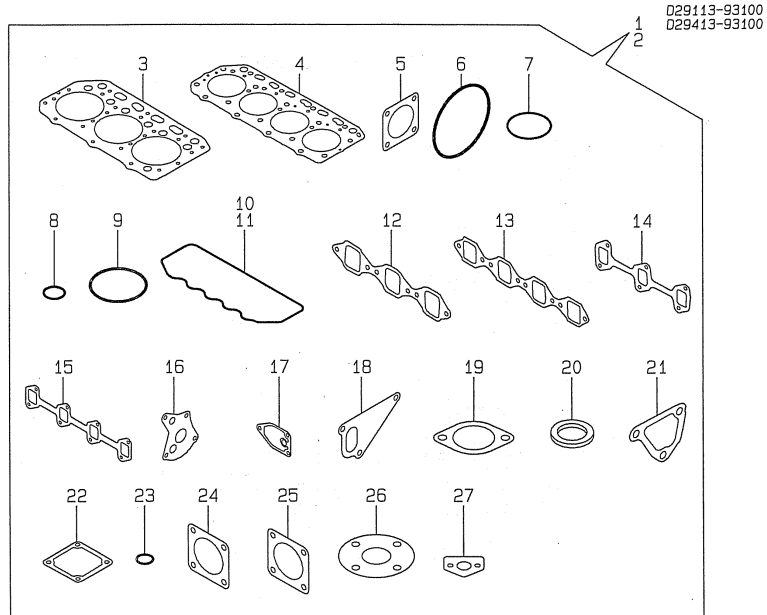


No.	Lev.	Parts No.	Description	Q'ty						I	R
				(A)	(B)	(C)	(D)	(E)	(F)		
1	1	729102-92600	GASKET SET	1							1
1-1	1	729102-92601	GASKET SET	1							N 1
(A=E64552)											
1-2	1	729102-92602	GASKET SET	1							S 1
(A=E66862)											
1-3	1	729102-92603	GASKET SET	1							S 1
(A=E66862)											
2	1	729402-92610	GASKET SET		1						1
2-1	1	729402-92611	GASKET SET		1						N 1
(B=E66862)											
2-2	1	729402-92612	GASKET SET		1						S 1
(B=E17407)											
2-3	1	729402-92613	GASKET SET		1						S 1
(B=E18378)											
3	2	129157-01332	GASKET, HEAD	1							
4	2	129402-01321	GASKET, HEAD		1						
5	2	124240-01883	GASKET	1	1						
6	2	121850-51960	O-RING	1	1						
7	2	24311-000320	O-RING, 1AP32.0	2	2						
8	2	24311-000120	O-RING, 1AP12.0	3	3						
9	2	24341-000500	O-RING, 1AS50.0	1	1						
10	2	129150-11310	GASKET, BONNET	1							
11	2	129550-11310	GASKET, BONNET		1						
12	2	129150-12110	GASKET, MANIFOLD	1							
12-1	2	129150-12111	GASKET, MANIFOLD	1							N
(A=E28829)											
13	2	129550-12110	GASKET, MANIFOLD		1						
13-1	2	129550-12111	GASKET, MANIFOLD		1						N
(B=E08875)											
14	2	129150-13110	GASKET	1							
15	2	129550-13110	GASKET		1						
16	2	129150-32020	GASKET, PUMP	1	1						
17	2	129150-35110	GASKET	1	1						
17-1	2	129150-35111	GASKET	1	1						N
(A=E28829) (B=E08875)											
18	2	129100-42020	GASKET, WATER PUMP	1	1						
19	2	129795-49550	GASKET	1	1						
19-1	2	129795-49551	GASKET	1	1						N
(A=E28829) (B=E08875)											
20	2	129150-49810	GASKET, THERMOSTAT	1	1						
20-1	2	129150-49811	GASKET, THERMOSTAT	1	1						N
(A=E28829) (B=E08875)											
21	2	129100-49840	GASKET	1	1						
22	2	129150-77510	GASKET	1	1						
22-1	2	129150-77511	GASKET	1	1						N
(A=E28829) (B=E08875)											
23	2	24341-000240	O-RING, 1AS24.0	1	1						
23-1	2	22190-220002	WASHER, SEAL 22	1	1						S
(A=E64552) (B=E17407)											
23-2	2	24341-000250	O-RING, 1AS25.0	1	1						S
(A=E66862) (B=E18378)											

Remarks  
(1) OPTIONAL PART.

Fig.24. GASKET SET & TOOL

Y00D4611  
3TN84, 4TN82L-RP



(A)=3TN84L-RP  
(B)=4TN82L-RP  
(C)=

(D)=  
(E)=  
(F)=

No.	Lev.	Parts No.	Description	Q'ty						I	R
				(A)	(B)	(C)	(D)	(E)	(F)		
24	2	124450-11900	GASKET	1							
25	2	129400-13200	GASKET, SILENCER		1						
25-1	2	129400-13201	GASKET, SILENCER		1						N
			(B=E08875)								
26	2	23446-050000	GASKET 50	1	1						
27	2	129150-35040	GASKET	1	1						
27-1	2	129150-35041	GASKET	1	1						N
			(A=E28829) (B=E08875)								
28	1	129400-92420	HONE	1	1						1
29	1	171001-93100	BOX, TOOL	1	1						
30	2	104200-92350	DRIVER, SCREW	1	1						
31	2	104200-92600	BOX, TOOL	1	1						
32	2	28110-100120	SPANNER, 10X12	1	1						
33	2	28110-140170	SPANNER, 14X17	1	1						
34	2	28110-190220	SPANNER, 19X22	1	1						
35	2	28210-000140	OILER	1	1						

Remarks  
(1) OPTIONAL PART.

## Parts No. Index

Parts No.	Fig. No.	Ref. No.
101100-55390	15	31
101147-59810	15	33
101200-55341	15	22
101200-55351	15	23
101200-55360	15	24
101200-55371	15	25
101200-55380	15	26
101200-55490	15	27
101504-55051	15	6
101504-55101	15	7
103338-11190	5	21
103854-39140	16	1
104200-11920	4	29
104200-59170	16	4
		13
104200-66820	19	6
104200-66830	19	7
104200-66850	19	8
104200-66860	19	9
104200-92350	24	30
104200-92600	24	31
104300-55250	15	13
104300-55320	15	30
104507-07190	23	4 -1
104704-07090	23	4
105198-77650	23	34
105198-77660	23	35
105302-55040	15	5
105582-59150	16	3
105808-77600	23	32
105808-77610	23	33
106383-44720	21	16
106383-44730	21	17
112100-55420	15	32
114250-53080	14	9
114250-53120	14	11
114250-53130	14	12
114250-53140	14	13
114250-53210	14	14
114250-53400	14	15
119620-01750	4	3
119625-11870	5	25
119625-11880	5	26
119625-11900	5	27
119640-01640	4	10 -1
119800-53000	14	3
119810-51040	13	6
119843-61550	17	60 -1
119865-21600	9	14
	10	14

Parts No.	Fig. No.	Ref. No.
119865-35300	11	24
119888-01600	4	2
119888-08110	4	26
119888-66110	19	2
119888-66120	19	24
119888-66130	19	3
119888-89100	22	1
119888-89110	22	2
119888-89210	22	4
119888-91120	23	21
120130-11860	5	9
121100-22400	9	22
	10	22
121111-21501	9	11
	10	11
121250-44581	12	20
121250-44901	12	73
121400-11340	5	22
121400-44650	12	21
121400-91140	23	24
121400-91520	23	11
121400-91530	23	12
121450-01560	3	3
121450-01570	21	21
121456-49160	12	66
121520-34810	11	13
121520-49160	12	67
121550-23200	9	33
	10	33
121550-49111	12	60
121737-49160	12	68
121750-59890	23	31
121850-11860	5	12
	12	1
121850-21680	9	9
	10	9
121850-51960	3	9
	24	6
122117-51560	13	52
122710-51090	13	10
123682-44210	12	18
124060-01640	15	2
124160-01751	3	4
	5	67
124160-01910	1	7
	2	4
		5
124160-11360	5	61
124160-39140	11	37
124160-39450	11	38

Parts No.	Fig. No.	Ref. No.
124240-01871	3	6
124240-01883	3	7
	24	5
124250-49351	11	33
	12	75
124450-11900	7	1
	24	24
124460-11340	5	23
124465-44950	12	74
124550-51350	13	32
124550-51370	13	33
124550-59820	11	50
124550-66370	17	77
124550-77030	20	70
	23	1
124574-44761	12	39
124732-42290	12	15
124736-07900	5	65
124766-59050	12	69
124770-11770	12	47
124950-51190	13	17
126650-66020	19	1
128170-51300	13	27
129100-01580	4	1
		20
	9	6 A
		10
	10	6 A
		10
129100-01640	4	21
129100-01730	4	13
129100-01760	4	6 -2
129100-01770	4	6 -1
129100-01790	4	11
129100-11100	5	17
129100-11110	5	18
129100-11240	5	30 -1
129100-11350	5	49 -1
129100-11650	5	40 -1
129100-13110	7	3
129100-23910	9	32
	10	32
129100-25061	8	7
129100-35300	11	16
129100-35301	11	16 -1
129100-42001	12	2
129100-42002	12	2 -1
129100-42020	12	13
	24	18
129100-49050	12	71

Parts No.	Fig. No.	Ref. No.
129100-49800	12	46
129100-49820	12	49
129100-49830	12	50
129100-49840	12	55
	24	21
129100-59910	14	31
129100-59920	14	35
129100-59930	14	39
129100-59951	16	27
129100-61400	17	22
129100-61440	17	29
129100-61450	17	30
129100-61500	17	45
129100-61501	17	45 -1
129100-61650	17	66
129100-61821	17	73
129100-61930	17	75
129105-22080	9	15
129105-22500	9	17
129105-22920	9	38
129105-22970	9	40
129113-01740	4	28
129113-55100	15	1
129113-55200	15	8
129113-55210	15	12
129113-55800	15	41
129113-55830	15	42
129113-59201	16	5
129113-59510	16	6
129113-59600	16	10
129113-91020	23	2
129113-91030	23	7
129113-91100	23	3
129113-91110	23	9
129113-91130	23	22
129129-14580	8	1
129150-01200	1	1
	2	26
129150-02020	1	12
	2	14
129150-02450	1	22
	2	24
	8	4 A
129150-02800	1	15
	2	17
129150-02870	1	24
	2	28
129150-02930	1	18
	2	20
129150-02940	1	27

## Parts No. Index

Parts No.	Fig. No.	Ref. No.
129150-02940	2	31
129150-03020	5	56
129150-03070	5	57
129150-03080	5	58
129150-03090	5	63
129150-03100	3	26
	5	64
129150-11230	5	43
129150-11280	5	34
129150-11290	5	35
129150-11310	5	53
	24	10
129150-11370	5	24
129150-11750	5	42
129150-11810	5	11
129150-12100	6	11
129150-12110	6	13
	24	12
129150-12111	6	13 -1
	24	12 -1
129150-13110	7	4
	24	14
129150-14101	8	3
129150-14200	8	6
129150-14400	8	5
129150-21200	9	3
	10	4
129150-21650	9	7
129150-22300	9	21
	10	21
129150-23600	9	34
129150-23610	9	36
	10	36
129150-25101	8	8
129150-25900	13	114
129150-25920	8	12
129150-32000	11	1
129150-32020	11	11
	24	16
129150-35040	11	15
	24	27
129150-35041	11	15 -1
	24	27 -1
129150-35110	11	22
	24	17
129150-35111	11	22 -1
	24	17 -1
129150-35150	11	23
129150-35350	11	32
129150-39450	11	39

Parts No.	Fig. No.	Ref. No.
129150-49080	12	62
129150-49100	12	61
129150-49360	11	34
	12	76
129150-49810	12	54
	24	20
129150-49811	12	54 -1
	24	20 -1
129150-59120	14	22
129150-59130	14	25
		29
129150-77510	6	8
	24	22
129150-77511	6	8 -1
	24	22 -1
129150-91400	3	22
129155-11241	5	30
129155-11260	5	32
129155-11270	5	33
129155-42350	12	16
129155-49800	12	53
129155-51020	13	5
129155-51050	13	8
129155-51060	13	9
129155-51140	13	14
129155-51180	13	16
129155-51200	13	18
129155-51270	13	25
129155-51280	13	26
	17	1
129155-51320	13	30
129155-51340	13	31
129155-51370	13	34
129155-51380	13	35
129155-51390	13	36
129155-51400	13	37
129155-51410	13	39
129155-51420	13	40
129155-51450	13	41
129155-51500	13	46
129155-51521	13	48
129155-51530	13	49
129155-51540	13	50
129155-51550	13	51
129155-51570	13	54
129155-51580	13	55
129155-51591	13	56
129155-51600	13	57
129155-51700	13	76
129155-51710	13	78

Parts No.	Fig. No.	Ref. No.
129155-51750	13	80
129155-51760	13	82
129155-51790	13	84
129155-51930	13	86
129155-51940	13	87
129155-52050	13	98
129155-61050	17	6
129155-61060	17	7
129155-61070	17	8
129155-61090	17	9
129155-61120	17	10
129155-61130	17	11
129155-61140	17	12
129155-61201	17	13
129155-61341	17	21
129155-61430	17	25
129155-61450	17	36
129155-61460	17	37
129155-61470	17	38
129155-61480	17	39
129155-61490	17	44
129155-61530	17	60
129155-61540	17	65
129155-61802	17	70
129155-61810	17	72
129155-61830	17	74
129155-61950	17	76
129156-51910	13	85
129157-01332	1	2
	24	3
129188-08100	4	25
129188-21590	9	12
129188-44560	12	19
129188-44940	12	22
129188-44950	12	24
129188-44960	12	25
129188-44970	12	26
129188-44980	12	27
129189-59550	16	15
129350-49530	12	44
129400-01520	3	5
129400-01730	4	14
129400-01770	4	7 -1
129400-11350	5	48 -1
129400-12100	6	12
129400-13101	7	2
129400-13200	7	6
	24	25
129400-13201	7	6 -1
	24	25 -1

Parts No.	Fig. No.	Ref. No.
129400-51100	13	11
129400-59910	14	44
129400-59920	14	48
129400-59930	14	52
129400-59940	14	56
129400-61801	17	71
129400-77010	20	1
129400-77011	20	1 -1
129400-77330	21	23
129400-77400	20	2
129400-77440	20	5
129400-77460	20	7
129400-77470	20	8
129400-77480	20	9
129400-77490	20	10
129400-77510	20	11
129400-77520	20	13
129400-77530	20	14
129400-77570	20	18
129400-77640	20	19
129400-92420	24	28
129402-01321	2	27
	24	4
129402-22080	10	15
129402-22920	10	38
129402-22970	10	40
129410-65130	18	4
129411-13300	7	7
129413-44940	12	23
129413-91130	23	23
129436-35090	11	16 -2
129470-12210	6	1
129470-39610	11	48
129470-51040	13	7
129477-61720	17	69
129488-21590	10	12
129488-66120	19	25
129489-59550	16	21
129491-52100	13	99
129491-59540	16	14
129500-11240	5	31 -1
129500-53000	14	6
129500-61500	17	46
129500-61650	17	67
129550-11290	5	36
129550-11310	5	54
	24	11
129550-12110	6	14
	24	13
129550-12111	6	14 -1

## Parts No. Index

Parts No.	Fig. No.	Ref. No.
129550-12111	24	13 -1
129550-13110	7	5
	24	15
129550-21650	10	7
129550-39450	11	43
129550-59120	14	26
129555-11241	5	31
129555-51400	13	38
129555-51500	13	47
129555-51700	13	77
129555-51710	13	79
129555-51750	13	81
129555-51760	13	83
129795-01780	4	22
129795-01800	3	2
129795-01950	3	8
129795-02411	1	21
	2	23
129795-11120	5	19
129795-11180	5	20
129795-12501	6	4
129795-12520	6	5
129795-12530	6	6
129795-12540	6	7
129795-21661	9	8
	10	8
129795-49550	12	45
	24	19
129795-49551	12	45 -1
	24	19 -1
132310-91900	23	13
132310-91920	23	15
137900-91451	23	10
144626-91560	11	51
170064-67210	19	19
171001-93100	24	29
171008-75571	20	49 -1
171008-77010	20	31
171008-77400	20	32
171008-77410	20	3
		33
171008-77420	20	4
		34
171008-77440	20	36
171008-77450	20	6
		37
171008-77460	20	38
171008-77470	20	39
171008-77480	20	40
171008-77490	20	41

Parts No.	Fig. No.	Ref. No.
171008-77500	20	42
171008-77510	20	12
		43
171008-77520	20	44
171008-77530	20	45
171008-77540	20	15
		46
171008-77570	20	49
171008-77640	20	56
171008-77650	20	20
		57
171008-77660	20	21
		58
171008-77670	20	22
		59
171008-77720	20	26
		63
171008-77730	20	27
		64
171008-77740	20	28
		65
171008-77750	20	66
171010-65100	18	1
171010-77850	23	5
171011-91100	23	8
171048-55850	15	43
171048-67010	19	4
171048-67130	19	13
171048-67140	19	14
171048-89120	22	3
171048-91900	23	14
171049-59010	16	2
171051-01921	1	6
		2
171083-13300	7	8
171085-67100	19	10
171085-67110	19	11
171085-67120	19	12
171090-91010	23	6
171102-66080	19	5
171301-01640	4	10
		10 -2
171301-49010	12	41
171301-49020	12	42
171301-77201	21	1
171335-65110	18	2
171335-65120	18	3
171335-65130	18	5
171335-77951	18	6
171340-44740	12	38

Parts No.	Fig. No.	Ref. No.
171353-61710	17	68
171375-35100	11	21
171375-39600	11	47
171420-34820	11	14
171440-44500	12	17
171488-61200	17	17
174307-51170	13	15
174307-51560	13	53
174307-51700	17	47
194180-51640	23	30
194990-22050	7	9
22117-040000	17	78
22117-050000	18	7
22117-080000	15	44
22117-100000	19	20
22137-080000	12	28
22190-220002	4	12 -1
	24	23 -1
22212-100000	21	18
22217-050000	13	88
	17	80
22217-060000	13	89
	15	29
		34
22217-100000	12	29
	19	21
22217-120000	13	115
	22	5
22272-000040	17	81
22272-000050	19	27
22272-000060	17	82
22287-120000	17	83
22351-020006	19	15
22351-030016	17	84
22351-040010	9	4
	10	5
22351-050010	13	90
22351-060012	5	28
22360-040000	17	85
22360-050000	18	8
22372-040000	17	85 -1
22411-200150	19	16
22487-050160	18	9
22512-070140	8	4
	9	5
	10	6
22512-100700	22	6
23000-016000	12	72
23000-060000	6	9
23010-038000	12	43

Parts No.	Fig. No.	Ref. No.
23061-070330	15	35
23161-020100	11	49
23217-050000	7	16
23414-060000	16	35
23414-080000	2	11
	11	52
	15	36
23414-080012	16	11
23414-100000	11	53
	16	12
23414-160000	15	37
23414-170000	7	10
23414-220000	4	30
23446-050000	7	17
	24	26
23831-100000	15	38
23871-010000	1	8
	2	7
	6	3
23871-030000	2	12
	5	13
	6	15
	12	12
		51
23887-100002	17	86
23894-030002	7	11
24101-063034	13	91
24151-222090	22	7
24311-000080	17	87
24311-000120	5	62
	24	8
24311-000140	15	39
24311-000160	3	10
	11	35
24311-000320	3	11
	5	68
	24	7
24311-240100	17	88
24341-000160	13	92
24341-000240	3	24
	4	12
	24	23
24341-000250	4	12 -2
	24	23 -2
24341-000500	5	59
	24	9
24421-456209	22	8
24421-557209	22	9
24754-320020	22	10
26014-060252	12	40

## Parts No. Index

Parts No.	Fig. No.	Ref. No.
26014-080252	21	24
26022-040252	21	8
26022-050102	13	93
	17	89
		89 -1
26022-060122	17	64
26022-060162	13	94
26023-050102	17	89 A
26033-060202	23	25
26106-060102	19	22
26106-060122	18	10
	23	26
26106-060142	15	45
26106-060162	3	25
26106-060202	17	90
26106-060322	20	29
		67
26106-060402	20	30
		68
26106-080122	2	13
	3	12
	12	30
	23	27
26106-080142	5	66
	15	46
	18	11
26106-080162	1	23
	2	25
	3	13
		14
	4	15
	5	60
	6	10
	12	31
		70
	23	28
26106-080202	3	15
	11	36
	12	32
		56
	22	11
26106-080252	4	16
	5	46
	6	16
	12	33
		57
26106-080302	4	23
	23	29
26106-080352	4	24
	6	17

Parts No.	Fig. No.	Ref. No.
26106-080352	11	20 -1
26106-080452	3	16
	4	17
		18
	7	12
	8	11
26106-080502	4	19
	5	47
	12	58
26106-080552	3	17
26106-080602	12	14
		59
26106-080802	7	13
26106-080852	3	18
26106-080952	7	14
26106-100182	15	47
26106-100202	4	27
26106-100252	22	12
26106-100302	12	34
26116-050302	13	95
26116-060082	19	17
26116-060162	12	52
26116-080352	11	20
26116-120252	20	69
26116-120502	7	18
26206-100252	4	4
26206-100302	4	5
26206-120352	22	13
26216-060182	15	4
26216-060202	5	14
26216-080802	7	15
26226-080182	5	44
26366-060002	5	29
	15	40
26366-080002	3	19
	12	35
	17	91
26366-100002	21	22
26450-060252	11	12
26657-100002	19	23
26687-120002	17	92
26716-060002	13	96
26716-100002	12	36
	21	19
26716-120002	7	19
	13	116
26756-050002	19	26
26756-060002	17	93
26756-080002	5	45
26756-100002	12	37

Parts No.	Fig. No.	Ref. No.
26776-120002	17	94
26921-050122	19	18
27231-500000	1	9
	2	8
27241-120000	1	10
	2	9
27241-220000	5	15
27241-300000	1	11
	2	10
27241-400000	5	16
27310-080001	5	21 -1
28110-100120	24	32
28110-140170	24	33
28110-190220	24	34
28210-000140	24	35
43100-552900	7	20
43400-500390	17	95
43400-500410	3	20
		21
	11	54
43400-500430	17	79
43400-500450	17	96
43400-500490	13	97
43720-500120	7	21
45100-502300	22	15
45100-502350	22	14
704800-55310	15	18
719800-53300	14	1
719810-01500	3	1
729102-11700	5	1
729102-21700	9	1
729102-92600	24	1
729102-92601	24	1 -1
729102-92602	24	1 -2
729102-92603	24	1 -3
729105-22900	9	23
729113-51310	13	1
729120-22950	10	25
729132-11520	5	49
729150-11651	5	40
729150-23600	10	34
729150-23700	9	29
	10	29
729157-01560	1	3
729157-22951	9	25
729400-01541	4	7
729400-21700	10	1
729402-01560	2	1
729402-11700	5	2
729402-14580	8	1 A

Parts No.	Fig. No.	Ref. No.
729402-22500	10	17
729402-22910	10	23
729402-23100	9	29 -1
	10	29 -1
729402-92610	24	2
729402-92611	24	2 -1
729402-92612	24	2 -2
729402-92613	24	2 -3
729403-11520	5	48
729413-51310	13	2 A
729413-51360	13	2 B
729500-53300	14	2
771341-01540	4	6
933110-00100	23	16
933110-00301	23	18
X2SC20211	22	23
X3SC20051	22	21
X3SC21363	22	27
X4SC20017	22	18
X4SC20025	22	24
X4SC21082	22	20
XJC40007	22	25
XJC40019	22	28
XJC40031	22	22
XJC40092	22	26
XJC4101311	22	32
XJC4101313	22	30
XJC4101410	22	29
XJC410224	22	19
XJC410244	22	17
XJC410597	22	31
XM08137	21	2
XM08180	21	4
XM17878	21	6
XM27436	21	5
XM36410	21	7
XM61014	21	20
XM82184	21	10
XYSPS4008	21	9