

0CD10-M45201EN

# PREFACE

1. This Parts Catalog is the 1st edition of 3TN84L-RT Diesel Engine for TOYOTA.

Pub. No. : 000Y00D4521

Published : March, 1993

2. Model name

Engine model	Vehicle		Vehicle made by
	Products	Model name	
3TN84L-RT	—	—	TOYOTA

## Directions for the Parts Catalog.

1. This Parts Catalog shows both standard and optional parts.
2. Parts may change without prior notice.
3. The following is an example of the Parts Catalog format.

REF.	LEV.	PARTS NO.	DESCRIPTION	Q'TY						I	R
				(A)	(B)	(C)	(D)	(E)	(F)		
1	1	729595-51390	FUEL INJECTION PUMP	1	1	1	1	1			1
1-1	1	729595-51391	FUEL INJECTION PUMP	1	1	1	1	1		N	1
		(A=E00185) (B=E00200)									
3	2	26022-060162	SCREW M 6X 16	9	9	9	9	9			
3-1	2	26022-060162	SCREW M 6X 16	4	4	4	4	4		K	
		(A=E00156) (B=E00156) (C=E00156) (D=E00156) (E=E00156)									
4	2	129470-51040	CAMSHAFT	1	1	1	1	1			
5	2	122710-51050	BEARING, ROLLER	2	2	2	2	2			
6	2	129470-51060	RETAINER	1	1	1	1	1			

Remarks
(1) BOOST COMPEMSATOR TYPE. OPTIONAL PART, TO E00155,(4JH-DT, 4JH-DTZ

### ① Ref. No.

The Ref. No. listed may not be in accordance with the illustration Ref. No.

(Ex.) Illustration No.

List Ref No.

1

1

(Before change)

1-1

(After change)

For interchangeable symbols N, R and K, illustrations for new parts may be abbreviated.

### ② Lev. (Level)

Level indication

The numbers below indicate the level of relativity towards the main part.

1 ----- Main parts (Assembly parts)

2 ----- Sub component included in " 1 ".

3 ----- Sub component included in " 2 ".

Note) Parts that are not for sale are partially illustrated but not listed.

### ③ Interchangeability Symbol

When a part change takes place, one of the following interchangeability symbols is indicated beside the part.

Symbol	Interchangeability	Contents note
N	Old $\begin{matrix} \leftarrow \text{Yes} \\ \text{No} \rightarrow \end{matrix}$ New	New Part is interchangeable for Old Part but Old Part is not interchangeable for New Part.
Q	Old $\begin{matrix} \leftarrow \text{No} \\ \text{Yes} \rightarrow \end{matrix}$ New	New Part is not interchangeable for Old Part but Old Part is interchangeable for New Part.
R	Old $\begin{matrix} \leftarrow \text{Yes} \\ \text{Yes} \rightarrow \end{matrix}$ New	New/ Old Parts are both interchangeable.
S	Old $\begin{matrix} \leftarrow \text{No} \\ \text{No} \rightarrow \end{matrix}$ New	New/ Old Parts are both not interchangeable.
W		Part newly added.
Z		Part discontinued.
F		Not interchangeable by a single part but interchangeable together with related parts.
K		Changes only for used parts quantities.

### ④ Effective Machine No.

When a part changes, the effective Machine No. will be indicated in the (A)-(F) column.

Product Symbol	Product No.	Product Symbol	Product No.
C	Clutch No. Compressor No.	F	Machine No. (Agricultural Equip.)
D	Drive No.	M	Machine No.
E	Engine No.		

Note 1) A date may follow the symbol. (Ex.) 1996.01

Note 2) "XXXXX" and "ZZZZZ" are for parts that could not be predicted or for engine models that could not be identified.

Note 3) (A=E00185) is the E (Engine Serial Number) for the column (A) model (in this case 4JH-DT) after the parts design change.

### ⑤ Remarks

Figures or alphabets (symbols) are entered in the remarks column.

The comments (remarks) on parts that are indicated at the bottom of the illustration are the same symbols as those stated above.

# Contents

Fig. No.    Fig. Name

## ENGINE 3TN84L-RT

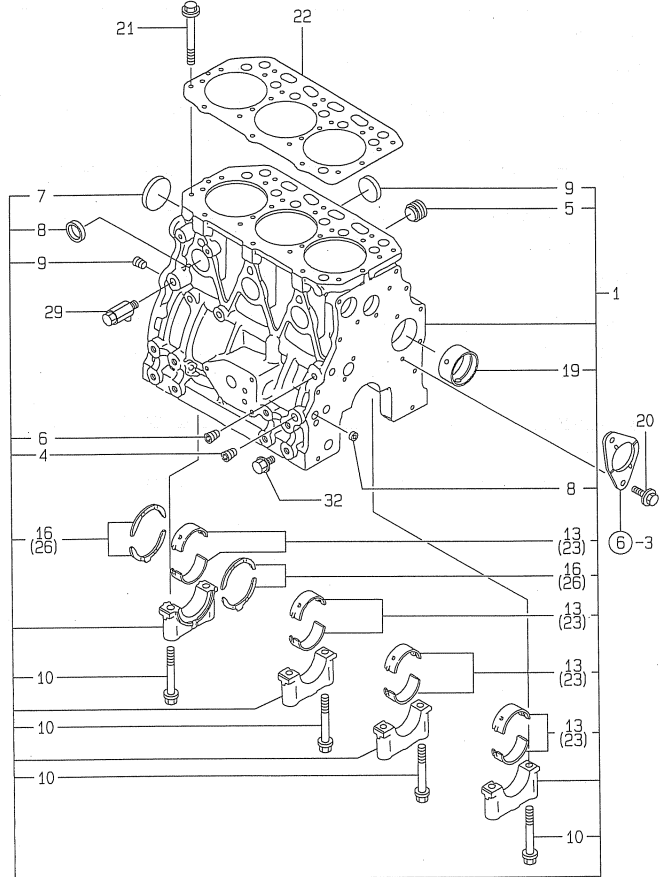
1. CYLINDER BLOCK
2. GEAR HOUSING
3. MOUNTING FLANGE & OIL SUMP
4. CYLINDER HEAD & BONNET
5. SUCTION & EXHAUST MANIFOLD
6. CAMSHAFT & IDLE GEAR
7. CRANKSHAFT & PISTON
8. LUB. OIL SYSTEM
9. COOLING WATER SYSTEM
10. FUEL INJECTION PUMP
11. GOVERNOR
12. FUEL INJECTION VALVE
13. FUEL PIPES
14. ENGINE STOP DEVICE
15. STARTING MOTOR
16. GENERATOR
17. GASKET SET(OPTIONAL)

Fig. No.    Fig. Name

# Fig.1. CYLINDER BLOCK

Y00D4521  
3TN84L-RT

029105-01100  
029150-02100  
029129-02200  
019620-49300  
029114-99200



(A)=3TN84L-RT  
(B)=  
(C)=

(D)=  
(E)=  
(F)=

No.	Lev.	Parts No.	Description	Q'ty						I	R
				(A)	(B)	(C)	(D)	(E)	(F)		
1	1	729157-01540	BLOCK ASSY, CYLINDER	1							
4	2	124160-01910	PLUG, PT1/4	3							
5	2	171051-01921	PLUG, NPTF1	1							
6	2	23871-010000	PLUG, R01	1							
7	2	27231-500000	PLUG 50	1							
8	2	27241-120000	PLUG, 12	2							
9	2	27241-300000	PLUG 30	6							
10	2	129150-02020	BOLT, METAL CAP	8							
13	2	129150-02800	BEARING, MAIN	4							
16	2	129150-02930	BEARING, THRUST	2							
19	2	129795-02411	BUSH, CAMSHAFT	1							
20	1	26106-080162	BOLT, M8X 16 PLATED	2							
21	1	129150-01200	BOLT, HEAD	14							
22	1	129157-01332	GASKET, HEAD	1							\$
23	1	129150-02870	BEARING, 0.25 US	4							1
26	1	129150-02940	BEARING, THRUST 0.25	2							2
29	1	119620-49290	COCK ASSY, 1/4	1							
32	1	26014-100252	BOLT, M10X 25	8							

**Remarks**

- (1) UNDER-SIZE(U.S=0.25)PART.
- (2) OVER-SIZE(O.S=0.25)PART.
- (§) THESE PARTS ARE SOLD BY FIG.17, REF.NO.1 OR 24.

Fig.2. GEAR HOUSING

(A)=3TN84L-RT

(B)=

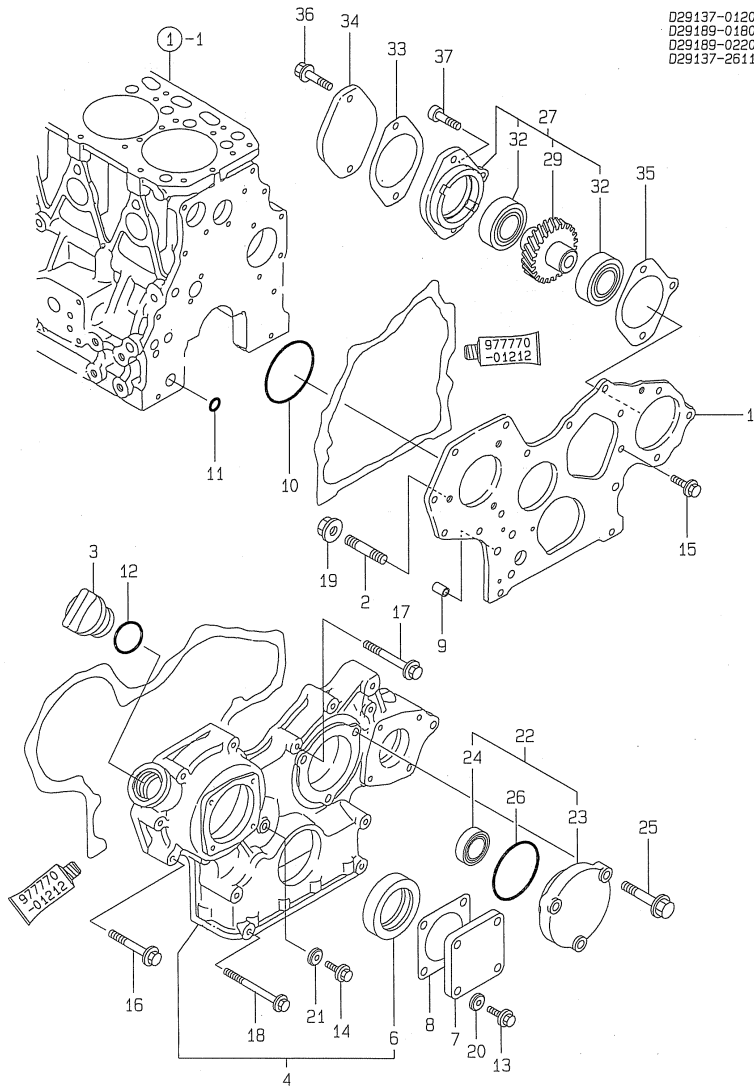
(C)=

(D)=

(E)=

(F)=

Y00D4521  
3TN84L-RT



D29137-01200  
D29189-01800  
D29189-02200  
D29137-26110

97770  
-01212

97770  
-01212

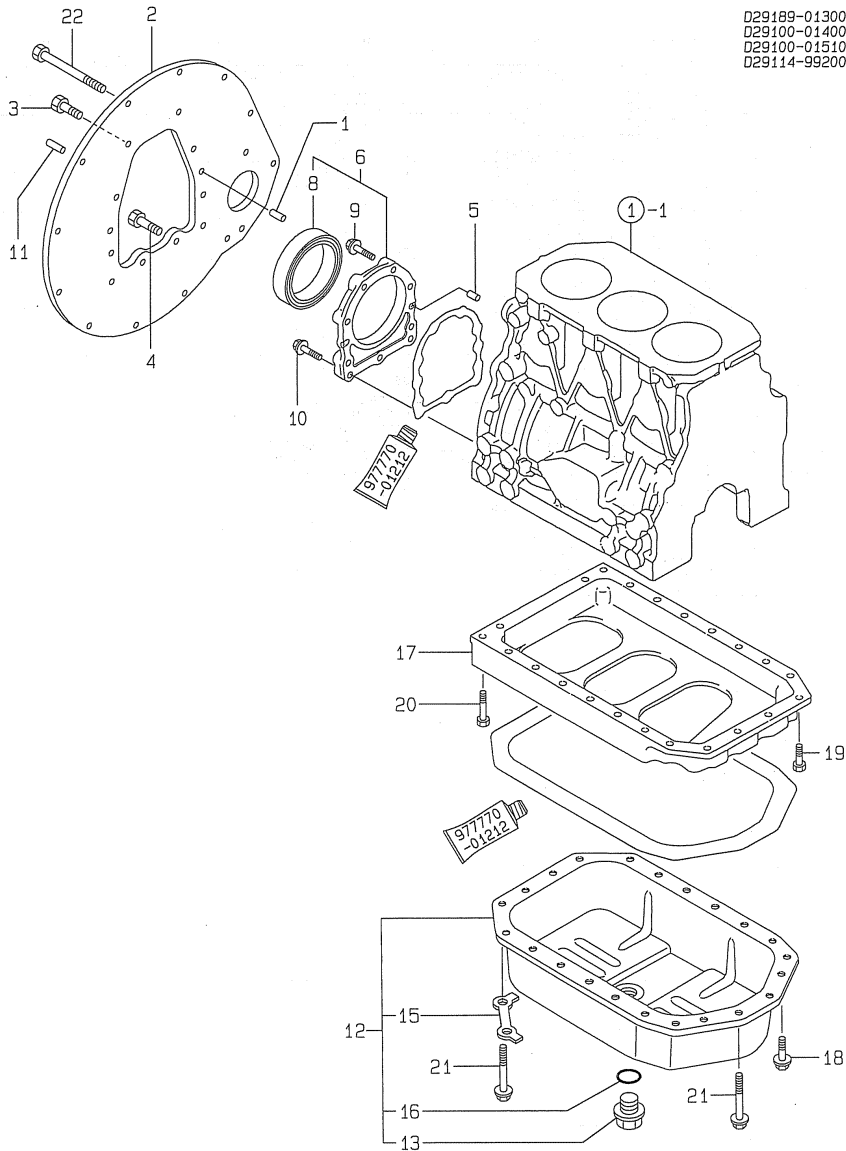
No.	Lev.	Parts No.	Description	Q'ty						I	R
				(A)	(B)	(C)	(D)	(E)	(F)		
1	1	171353-01520	FLANGE, GEAR CASE	1							
2	1	121450-01560	STUD, M8X22	3							
3	1	124160-01751	COVER, FILLER	1							
4	1	171353-01590	CASE ASSY, GEAR	1							
6	2	129795-01800	SEAL, OIL	1							
7	1	124240-01871	COVER	1							
8	1	124240-01883	GASKET	1							\$
9	1	129795-01950	PIPE, KNOCK L=18	2							
10	1	121850-51960	O-RING	1							\$
11	1	24311-000160	O-RING, 1AP16.0	2							
12	1	24311-000320	O-RING, 1AP32.0	1							\$
13	1	26106-080122	BOLT, M8X 12 PLATED	4							
14	1	26106-080162	BOLT, M8X 16 PLATED	1							
15	1	26106-080162	BOLT, M8X 16 PLATED	3							
16	1	26106-080452	BOLT, M8X 45 PLATED	6							
17	1	26106-080552	BOLT, M8X 55 PLATED	3							
18	1	26106-080852	BOLT, M8X 85 PLATED	4							
19	1	26366-080002	NUT, M8	3							
20	1	43400-500410	SEAL WASHER 8S	4							
21	1	43400-500410	SEAL WASHER 8S	1							
22	1	129189-02990	COVER	1							
23	2	129189-02800	CASE, BEARING	1							
24	2	24101-063030	BEARING, BALL 6303C3	1							
25	1	129189-91980	BOLT	3							
26	1	24321-000600	O-RING, 1AG60.0	1							
27	1	129137-26000	DRIVE ASSY, PUMP	1							
29	2	129137-26200	GEAR ASSY	1							
32	2	24101-060064	BEARING, BALL 6006	2							
33	1	121023-26061	GASKET	1							
34	1	121023-26070	COVER	1							
35	1	171353-26080	GASKET	1							
36	1	26106-100452	BOLT, M10X 45 PLATED	2							
37	1	26450-080282	BOLT, M8X 28	1							

Remarks

(\$) THESE PARTS ARE SOLD BY FIG.17, REF.NO.1 OR 24.

Fig.3. MOUNTING FLANGE & OIL SUMP

Y00D4521  
3TN84L-RT



(A)=3TN84L-RT

(B)=

(C)=

(D)=

(E)=

(F)=

No.	Lev.	Parts No.	Description	Q'ty						I	R
				(A)	(B)	(C)	(D)	(E)	(F)		
1	1	129100-01580	PIN, M8X16	2							
2	1	129189-01600	FLANGE, MOUNTING	1							
3	1	26206-100202	BOLT, M10X 20 PLATED	6							
4	1	26206-100252	BOLT, M10X 25 PLATED	4							
5	1	129100-01580	PIN, M8X16	2							
6	1	129100-01640	CASE ASSY, OIL SEAL	1							
8	2	129795-01780	SEAL, OIL	1							
9	1	26106-080302	BOLT, M8X 30 PLATED	6							
10	1	26106-080352	BOLT, M8X 35 PLATED	3							
11	1	22312-080250	PIN, PARALLEL M8X25	2							
12	1	729102-01540	SUMP ASSY, OIL	1							
13	2	171301-01640	PLUG, 22	1							
15	2	129100-01790	RETAINER	2							
16	2	24341-000240	O-RING, 1AS24.0	1							
17	1	129100-01730	SPACER, OIL SUMP	1							
18	1	26106-080162	BOLT, M8X 16 PLATED	4							
19	1	26106-080252	BOLT, M8X 25 PLATED	2							
20	1	26106-080452	BOLT, M8X 45 PLATED	16							
21	1	26106-080502	BOLT, M8X 50 PLATED	4							
22	1	26116-101002	BOLT, M10X100 PLATED	10							W

(A)=EXXX

Fig.4. CYLINDER HEAD & BONNET

(A)=3TN84L-RT

(B)=

(C)=

(D)=

(E)=

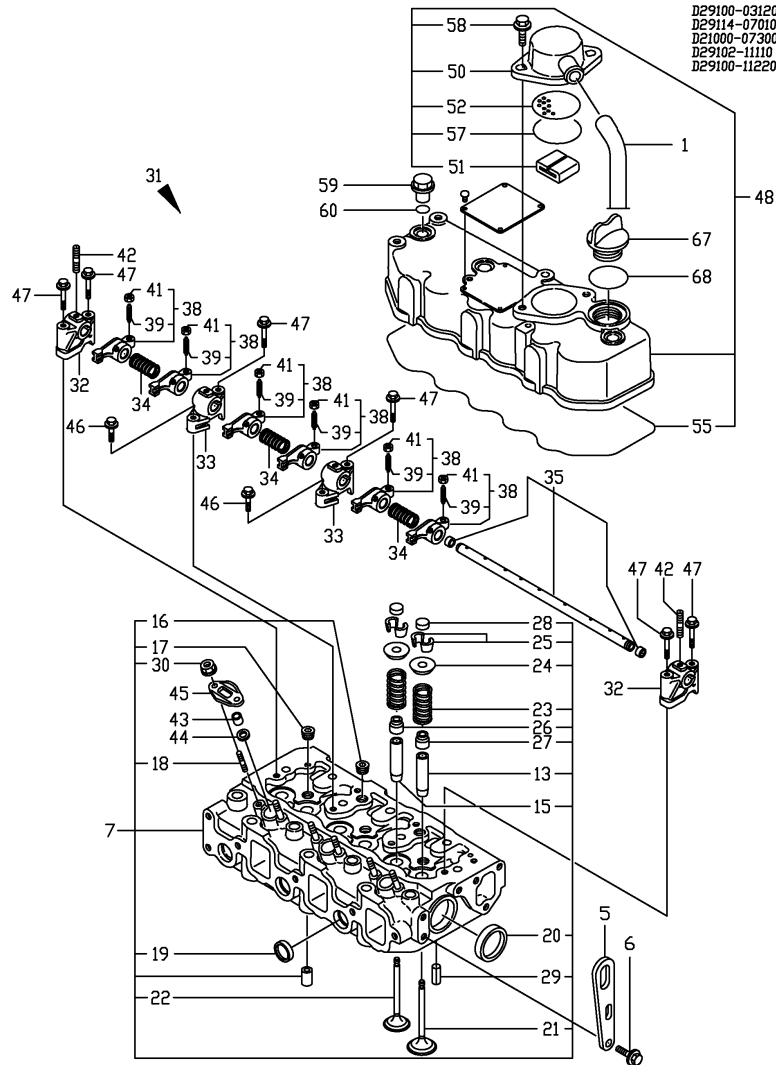
(F)=

Q'ty

I R

Y00D4521  
3TN84L-RT

4 シリンダヘッド @ ボンネット  
CYLINDER HEAD @ BONNET



No.	Lev.	Parts No.	Description	(A)	(B)	(C)	(D)	(E)	(F)	I	R
1	1	129150-03090	HOSE, ID16X2T	1							
5	1	124736-07900	LIFTER	2							
6	1	26106-080142	BOLT, M8X 14 PLATED	4							
7	1	729102-11700	HEAD ASSY, CYLINDER	1							
13	2	120130-11860	GUIDE, VALVE	3							1
15	2	129150-11810	GUIDE, VALVE	3							1
16	2	121850-11860	PLUG, PT1/4	2							
17	2	23871-030000	PLUG, R03	3							
18	2	26216-060202	STUD, M6X 20	6							
19	2	27241-220000	PLUG, 22	3							
20	2	27241-400000	PLUG, 40	2							
21	2	129100-11100	VALVE, INTAKE	3							
22	2	129100-11110	VALVE, EXHAUST	3							
23	2	129795-11120	SPRING, VALVE	6							
24	2	129795-11180	RETAINER, SPRING	6							
25	2	103338-11190	COTTER	6							
25-1	2	27310-080001	COTTER, 8	6							R
(A=EXXXXX)											
26	2	121400-11340	SEAL, VALVE STEM	3							
27	2	124460-11340	SEAL, VALVE STEM	3							
28	2	129150-11370	CAP, VALVE	6							
29	2	22351-060012	PIN, SPRING 6.0X12	2							
30	2	26366-060002	NUT, M6	6							
31	1	129155-11241	SHAFT ASSY, ROCKER	1							
32	2	129155-11260	SUPPORT, ROCKER ARM	2							
33	2	129155-11270	SUPPORT, ROCKER ARM	2							
34	2	129150-11280	SPRING	3							
35	2	129150-11290	SHAFT, ROCKER ARM	1							
38	2	729402-11650	ARM ASSY, ROCKER	6							
39	3	129150-11230	SCREW, VALVE ADJUST	6							
41	3	129150-11750	NUT, M8	6							
42	2	26226-080182	STUD, M8X 18	3							
43	1	119625-11870	PROTECTOR, NOZZLE	3							\$
44	1	119625-11880	SEAT, NOZZLE	3							\$
45	1	119625-11900	RETAINER, NOZZLE	3							
46	1	26106-080252	BOLT, M8X 25 PLATED	2							
47	1	26106-080502	BOLT, M8X 50 PLATED	6							
48	1	129100-11350	BONNET ASSY, HEAD	1							
50	2	129150-03020	COVER, BREATHER	1							
51	2	129150-03070	BAFFLE, BREATHER	1							
52	2	129150-03080	PLATE, BAFFLE	1							
55	2	129150-11310	GASKET, BONNET	1							\$
57	2	24341-000500	O-RING, 1AS50.0	1							\$
58	2	26106-080162	BOLT, M8X 16 PLATED	2							
59	1	124160-11360	KNOB	3							
60	1	24311-000120	O-RING, 1AP12.0	3							\$
67	1	124160-01751	COVER, FILLER	1							
68	1	24311-000320	O-RING, 1AP32.0	1							

Remarks

(1) REPAIR PART.

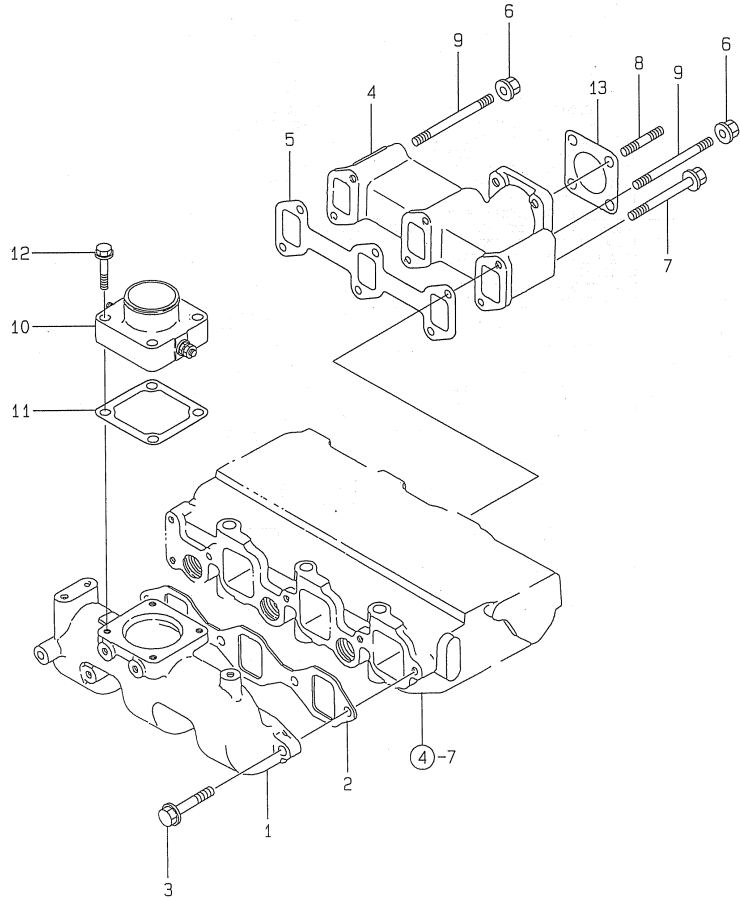
(\$) THESE PARTS ARE SOLD BY FIG.17, REF.NO.1 OR 24.



Fig.5. SUCTION & EXHAUST MANIFOLD

Y00D4521  
3TN84L-RT

D29150-12200  
D29100-13100TK  
D29100-77501  
D29114-99200



(A)=3TN84L-RT  
(B)=  
(C)=

(D)=  
(E)=  
(F)=

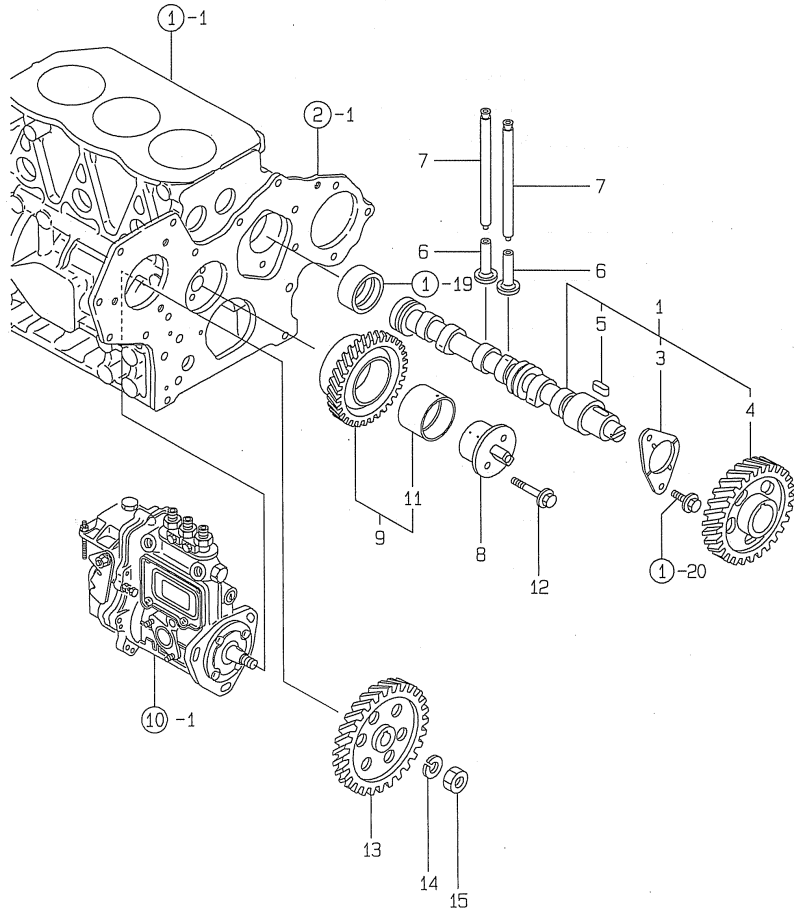
No.	Lev.	Parts No.	Description	Q'ty						I	R
				(A)	(B)	(C)	(D)	(E)	(F)		
1	1	129150-12100	MANIFOLD, AIR INTAKE	1							
2	1	129150-12111	GASKET, MANIFOLD	1							\$
3	1	26106-080252	BOLT, M8X 25 PLATED	4							
4	1	129100-13110	MANIFOLD, EXHAUST	1							
5	1	129150-13110	GASKET	1							\$
6	1	194990-22050	NUT, M8	2							
7	1	26106-080802	BOLT, M8X 80 PLATED	4							
8	1	26216-080222	STUD, M8X 22	4							
9	1	26216-080802	STUD, M8X 80	2							
10	1	129120-77501	HEATER	1							
11	1	129150-77511	GASKET	1							\$
12	1	26106-080352	BOLT, M8X 35 PLATED	4							
13	1	124701-11911	GASKET, SILENCER	1							\$

Remarks  
(\$) THESE PARTS ARE SOLD BY FIG.17,  
REF.NO.1 OR 24.

# Fig.6. CAMSHAFT & IDLE GEAR

Y00D4521  
3TN84L-RT

D29189-14110  
D29189-25100  
D29189-25200



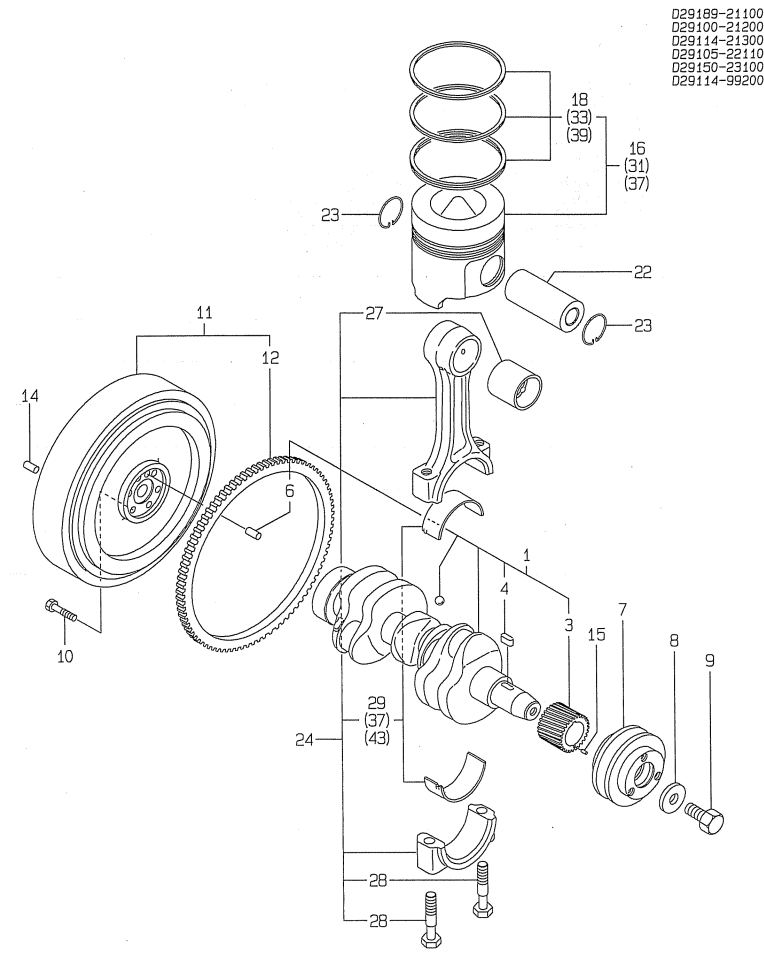
(A)=3TN84L-RT  
(B)=  
(C)=

(D)=  
(E)=  
(F)=

No.	Lev.	Parts No.	Description	Q'ty						I	R
				(A)	(B)	(C)	(D)	(E)	(F)		
1	1	129189-14580	CAMSHAFT	1							
3	2	129150-02450	BEARING, THRUST	1							
4	2	129189-14100	GEAR, CAMSHAFT	1							
5	2	22512-070140	KEY, 7X 14	1							
6	1	129150-14200	TAPPET	6							
7	1	129150-14400	ROD, PUSH L=178	6							
8	1	129189-25050	SHAFT, IDLE	1							
9	1	129189-25100	GEAR ASSY, IDLE	1							
11	2	129189-25060	BUSH, IDLE GEAR	1							
12	1	26106-080502	BOLT, M8X 50 PLATED	2							
13	1	129189-25900	GEAR, PUMP	1							
14	1	22217-120000	WASHER, SPRING 12	1							
15	1	26716-120002	NUT, M12	1							

# Fig.7. CRANKSHAFT & PISTON

Y00D4521  
3TN84L-RT



D29189-21100  
D29100-21200  
D29114-21300  
D29105-22110  
D29150-23100  
D29114-99200

(A)=3TN84L-RT

(B)=

(C)=

(D)=

(E)=

(F)=

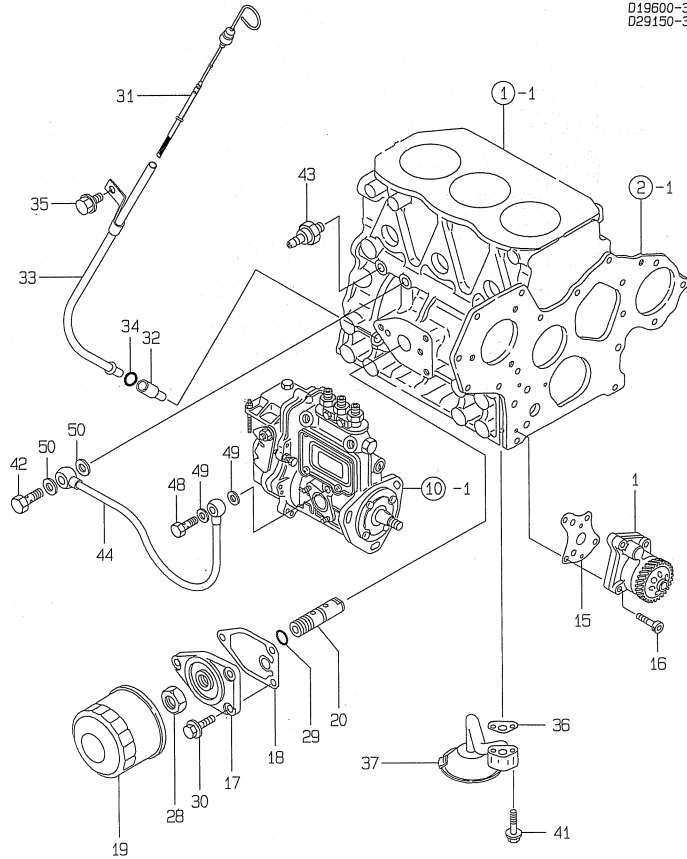
No.	Lev.	Parts No.	Description	Q'ty						I	R
				(A)	(B)	(C)	(D)	(E)	(F)		
1	1	129189-21100	CRANKSHAFT ASSY	1							
3	2	129189-21200	GEAR, CRANKSHAFT	1							
4	2	22512-070140	KEY, 7X 14	1							
6	2	129100-01580	PIN, M8X16	1							
7	1	171340-21650	V-PULLEY	1							
8	1	129795-21661	WASHER	1							
9	1	121850-21680	BOLT	1							
10	1	121111-21501	BOLT, FLYWHEEL	6							
11	1	129114-21590	FLYWHEEL ASSY	1							
12	2	124550-21600	GEAR, RING	1							
14	1	22312-080160	PIN, PARALLEL M8X16	3							
15	1	22351-040010	PIN, SPRING 4.0X10	1							
16	1	129105-22080	PISTON ASSY	3							
18	2	129105-22500	RING SET, PISTON	3							
22	1	129150-22300	PIN, PISTON D26 L66	3							
23	1	121100-22400	CIRCLIP	6							
24	1	729402-23100	ROD ASSY, CONNECTING	3							
27	2	129100-23910	BEARING, PISTON PIN	3							1
28	2	121550-23200	BOLT, CONNECTING ROD	6							
29	2	129150-23600	BEARING, CRANK PIN	3							
31	1	729105-22900	PISTON ASSY, 0.25 OS	3							2
33	2	729157-22951	RING SET, 0.25 OS	3							2
37	1	129105-22920	PISTON ASSY, 0.50 OS	3							3
39	2	129105-22970	RING SET, 0.50 OS	3							3
43	1	129150-23610	BEARING, 0.25 US	3							4

Remarks

- (1) REPAIR PART.
- (2) OVER-SIZE(O.S=0.25)PART.
- (3) OVER-SIZE(U.S=0.50)PART.
- (4) UNDER-SIZE(U.S=0.25)PART.

# Fig.8. LUB. OIL SYSTEM

Y00D4521  
3TN84L-RT



D29189-32100  
D29114-34120  
D29100-35100  
D29100-35201  
D19600-39100  
D29150-39110

(A)=3TN84L-RT  
(B)=  
(C)=

(D)=  
(E)=  
(F)=

No.	Lev.	Parts No.	Description	Q'ty						I	R
				(A)	(B)	(C)	(D)	(E)	(F)		
1	1	129189-32000	PUMP ASSY, OIL	1							
1-1	1	129002-32000	PUMP ASSY, OIL	1							S 1
(A=E66120)											
15	1	129150-32020	GASKET, PUMP	1							\$
16	1	26450-060252	BOLT, M6X 25	4							
17	1	129150-35101	BRACKET, STRAINER	1							
18	1	129150-35111	GASKET	1							\$
19	1	129150-35151	FILTER, D80XL80	1							
20	1	119865-35300	VALVE ASSY, CONTROL	1							
20-1	1	129001-35300	BOLT, FILTER	1							S 1
(A=E66120)											
28	1	129150-35350	NUT	1							
29	1	24311-000160	O-RING, 1AP16.0	1							
30	1	26106-080202	BOLT, M8X 20 PLATED	3							
31	1	129114-34820	DIPSTICK, OIL	1							
32	1	129114-34810	GUIDE, DIPSTICK	1							
33	1	119260-34810	GUIDE, DIPSTICK	1							
34	1	24311-240100	O-RING, 1AP10A	1							
35	1	26106-080162	BOLT, M8X 16 PLATED	1							
36	1	129150-35041	GASKET	1							\$
37	1	129150-35091	PIPE ASSY, OIL INLET	1							
41	1	26106-080352	BOLT, M8X 35 PLATED	2							
42	1	124160-39140	BOLT, PIPE JOINT M10	1							
43	1	124160-39450	SWITCH, 0.5KG	1							
44	1	129150-39450	PIPE ASSY, OIL	1							
48	1	124550-59820	BOLT, PIPE JOINT M8	1							
49	1	23414-080000	GASKET, 8X1.0	2							
50	1	23414-100000	GASKET, 10X1.0	2							

**Remarks**

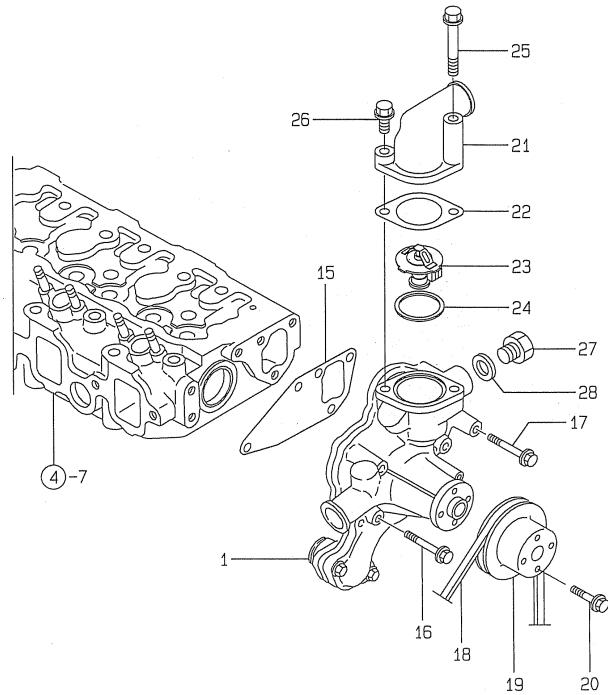
(\$) THESE PARTS ARE SOLD BY FIG.17,

REF.NO.1 OR 24.

(1) REF.NO.1-1 & 20-1 INTERCHANGEABLE BY SET.

# Fig.9. COOLING WATER SYSTEM

Y00D4521  
3TNB4L-RT



D29114-42100  
D29114-42300  
D29114-44400  
D29126-49200  
U71353-49600

(A)=3TN84L-RT  
(B)=  
(C)=

(D)=  
(E)=  
(F)=

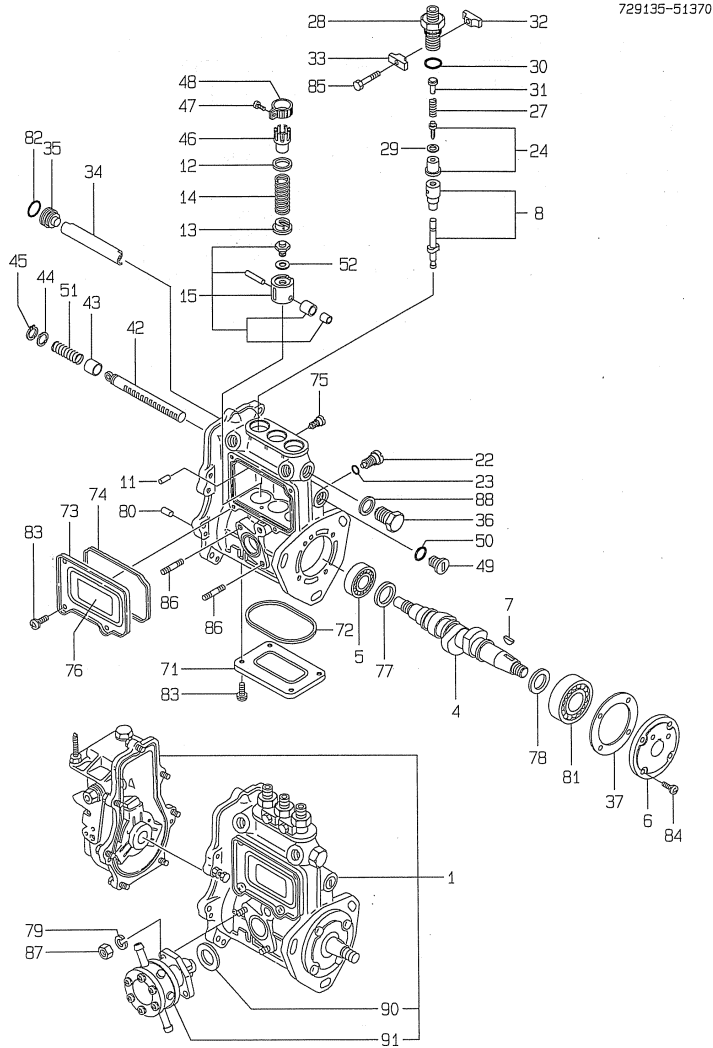
No.	Lev.	Parts No.	Description	Q'ty						I	R
				(A)	(B)	(C)	(D)	(E)	(F)		
1	1	129150-42001	PUMP ASSY, WATER	1							
15	1	129150-42020	GASKET, WATER PUMP	1							\$
16	1	26106-080552	BOLT, M8X 55 PLATED	3							
17	1	26106-080602	BOLT, M8X 60 PLATED	1							
18	1	124722-42290	V-BELT, A40	1							
19	1	129550-42350	V-PULLEY, D=120	1							
20	1	26014-060162	BOLT, M6X 16	4							
20-1	1	26014-060252	BOLT, M6X 25	4							N
(A=FROM 1ST)											
21	1	124101-49530	COVER, THERMOSTAT	1							
22	1	129795-49551	GASKET	1							\$
23	1	129155-49800	THERMOSTAT, 71	1							
24	1	129150-49811	GASKET, THERMOSTAT	1							\$
25	1	26106-080652	BOLT, M8X 65 PLATED	1							
26	1	26106-080252	BOLT, M8X 25 PLATED	1							
27	1	121450-42450	PLUG, M16	2							
28	1	124465-44950	GASKET, 16	2							\$

**Remarks**

(\$) THESE PARTS ARE SOLD BY FIG.17,  
REF.NO.1 OR 24.

Fig.10. FUEL INJECTION PUMP

Y00D4521  
3TN84L-RT



No.	Lev.	Parts No.	Description	Q'ty						I	R
				(A)	(B)	(C)	(D)	(E)	(F)		
1	1	729114-51360	PUMP ASSY, INJECTION	1							1
1-1	1	729135-51370	PUMP ASSY, INJECTION	1							N 1
(A=EXXX)											
4	2	119810-51040	CAMSHAFT	1							
5	2	129155-51050	BEARING, 17BM001D	1							
6	2	129155-51060	SUPPORT, CAMSHAFT	1							
7	2	122710-51090	KEY	1							
8	2	129400-51100	PLUNGER ASSY	3							
11	2	129155-51140	PIN	3							
12	2	174307-51170	RETAINER, SPRING A	3							
13	2	129155-51180	RETAINER, SPRING	3							
14	2	124950-51190	SPRING, PLUNGER	3							
15	2	129155-51200	TAPPET ASSY	3							
22	2	129155-51270	STOPPER, TAPPET	3							
23	2	129155-51280	O-RING, S6	3							
24	2	128170-51300	VALVE ASSY, DELIVERY	3							
27	2	129155-51320	SPRING, DELIVERY	3							
28	2	129155-51340	RETAINER	3							
29	2	124550-51350	GASKET, DELIVERY	3							
30	2	124550-51370	O-RING	3							
31	2	129155-51370	STOPPER, VALVE	3							
32	2	129155-51380	STOPPER	2							
33	2	129155-51390	STOPPER	2							
34	2	129155-51400	DEFLECTOR	1							
35	2	129155-51410	BOLT	1							
36	2	129155-51420	PLUG, M16	1							
37	2	129155-51450	SHIM SET, ADJUSTING	1							
42	2	129155-51500	RACK, CONTROL	1							
43	2	129155-51521	BUSH, RACK	1							
44	2	129155-51530	SPACER	1							
45	2	129155-51540	CIRCLIP	1							
46	2	129155-51550	PINION, CONTROL	3							
47	2	122117-51560	SCREW	3							
48	2	174307-51560	PINION	3							
49	2	129155-51570	PLUG, M12	1							
50	2	129155-51580	O-RING	1							
51	2	129155-51591	SPRING, RACK	1							
52	2	129155-51600	SHIM SET, ADJUSTING	3							
71	2	129155-51700	COVER	1							
72	2	129155-51710	GASKET	1							
73	2	129155-51750	COVER	1							
74	2	129155-51760	GASKET	1							
75	2	129155-51790	STOOPER, RACK	1							
76	2	129156-51910	LABEL, CAUTION	1							
77	2	129155-51930	SPACER, T=3.25	1							
78	2	129155-51940	SPACER, T=1.5	1							
79	2	22217-060000	WASHER, SPRING 6	2							
80	2	22351-050010	PIN, SPRING 5.0X10	2							
81	2	24101-063034	BEARING, BALL 6303	1							
82	2	24341-000160	O-RING, 1AS16.0	1							
83	2	26022-050102	SCREW, M5X10	8							

Remarks

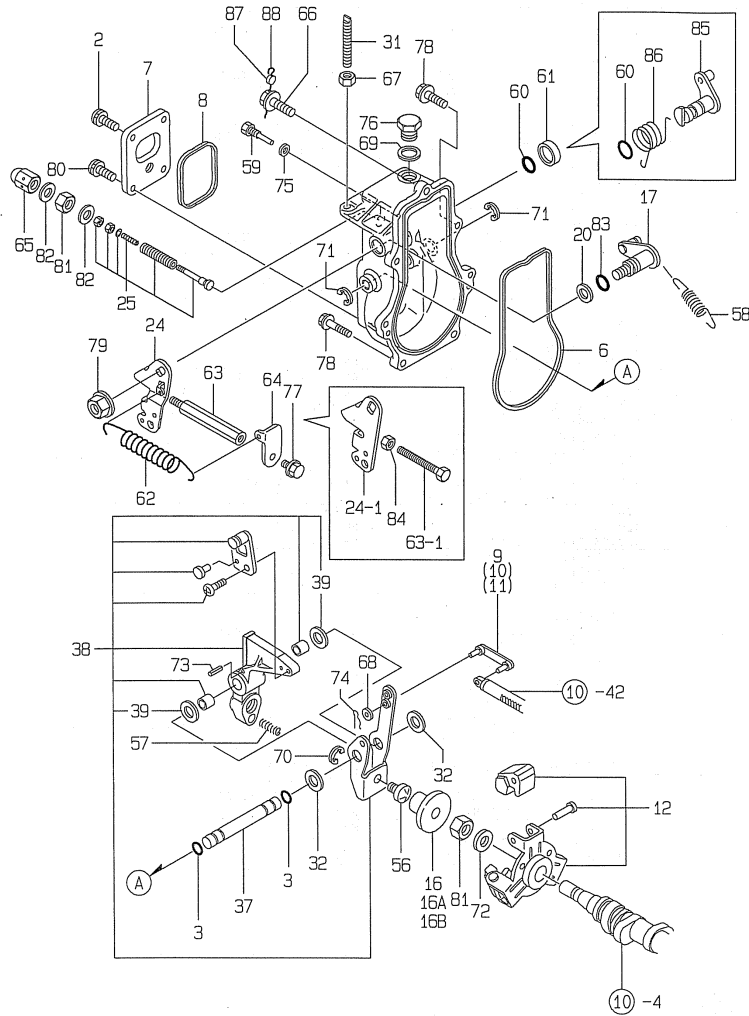
(1) GOVERNOR ASSY(FI.11) IS INCORPORATED IN THIS FUEL INJECTION PUMP ASSY(REF.NO.1,1-1).



Fig.11. GOVERNOR

Y00D4521  
3TN84L-RT

729135-51370  
029428-66400



(A)=3TN84L-RT

(B)=

(C)=

(D)=

(E)=

(F)=

No.	Lev.	Parts No.	Description	Q'ty						I	R
				(A)	(B)	(C)	(D)	(E)	(F)		
2	2	26023-050102	SCREW, M5X10	2							
3	1	129155-51280	O-RING, S6	2							
6	1	129155-61050	GASKET	1							
7	1	129155-61060	COVER, GOVERNOR CASE	1							
8	1	129155-61070	GASKET	1							
9	1	129155-61120	LINK, L=30 MARK 0	1							1
10	1	129155-61130	LINK, L=31 MARK 1	1							1
11	1	129155-61140	LINK, L=30.5 MARK 05	1							1
12	1	129155-61201	WEIGHT ASSY,GOVERNOR	1							
16	1	129155-61341	SLEEVE	1							
16A	1	129155-61350	SLEEVE, L=24.9	1							W
(A=EXXX)											
16B	1	129155-61360	SLEEVE, L=25.2	1							W
(A=EXXX)											
17	1	129100-61400	SHAFT ASSY	1							
20	1	129155-61430	SPACER	1							
24	1	119840-61440	LEVER, CONTROL	1							
24-1	1	129100-61440	LEVER, CONTROL	1							N
(A=EXXX)											
25	1	129100-61450	LIMITER ASSY, FUEL	1							
31	1	129155-61450	BOLT, LIMITER	1							
32	1	129155-61480	SPACER ASSY	2							
37	1	129155-61490	SHAFT	1							
38	1	129500-61501	LEVER ASSY, GOVERNOR	1							
39	2	174307-51700	SHIM SET	2							
56	1	129155-61540	SHIFTER	1							
57	1	129100-61650	SPRING, CONTROLLER	1							
58	1	171353-61710	SPRING, GOVERNOR	1							
59	1	129155-61810	PIN	1							
60	1	129155-61830	O-RING, S10	1							
61	1	129100-61851	PLUG	1							Z
(A=EXXX)											
62	1	119840-61870	SPRING	1							Z
(A=EXXX)											
63	1	119840-61880	BOLT	1							
63-1	1	129155-61460	BOLT, IDLE	1							S
(A=EXXX)											
64	1	119840-61890	HOOK	1							Z
(A=EXXX)											
65	1	129100-61930	NUT, CAP	1							
65-1	1	26687-120002	NUT, CAP M12	1							N
(A=EXXX)											
66	1	129155-61950	BOLT	1							
67	1	124550-66370	NUT, M6	1							
68	1	22117-040000	WASHER, 4	1							
69	1	43400-500430	SEAL WASHER 10S	1							
70	1	22272-000040	RING, E- 4	1							
71	1	22272-000060	RING, E- 6	2							
72	1	22287-120000	WASHER, 12	1							
73	1	22351-030016	PIN, SPRING 3.0X16	1							
74	1	22372-040000	PIN, SNAP 4	2							

Remarks

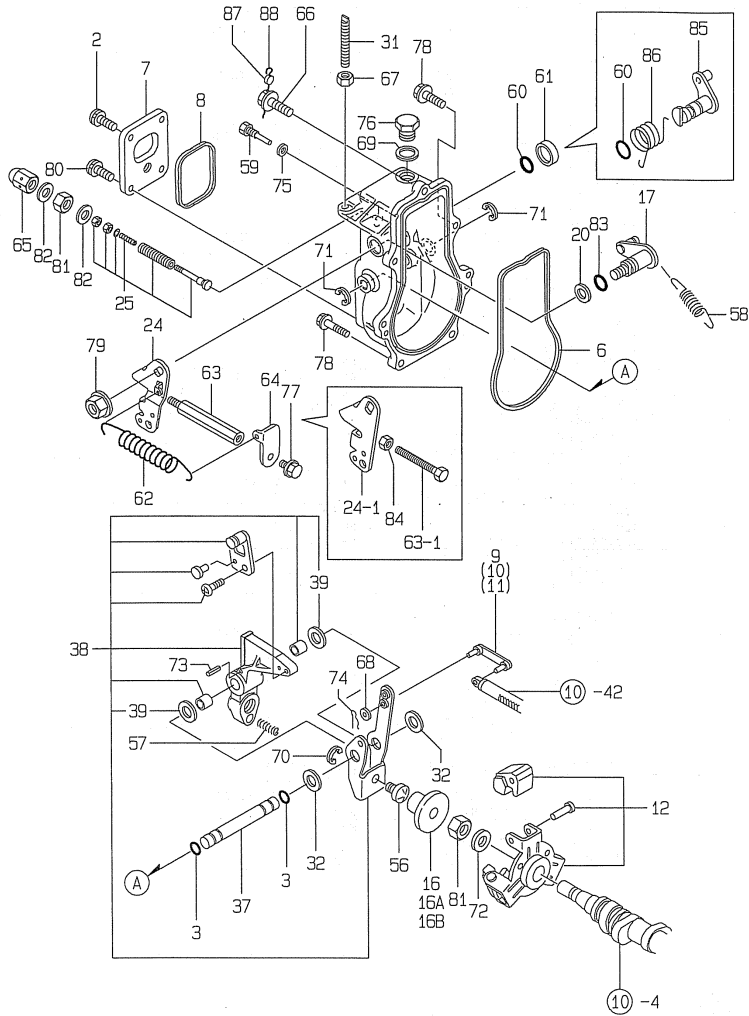
(1) SELECTIVE PART.



Fig.11. GOVERNOR

Y00D4521  
3TN84L-RT

729135-51370  
029428-66400



(A)=3TN84L-RT  
(B)=  
(C)=

(D)=  
(E)=  
(F)=

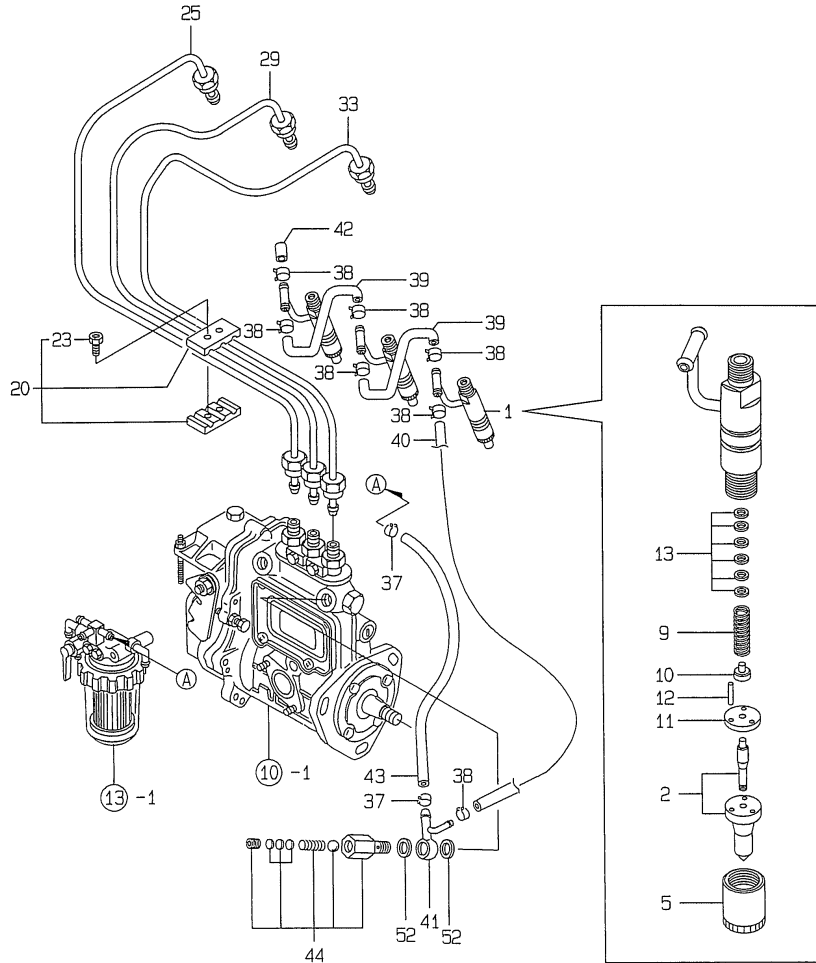
No.	Lev.	Parts No.	Description	Q'ty						I	R
				(A)	(B)	(C)	(D)	(E)	(F)		
75	1	43400-500390	SEAL WASHER 6S	1							
76	1	23887-100002	PLUG, 10	1							
77	1	26106-060102	BOLT, M6X 10 PLATED	1							Z
(A=EXXX)											
78	1	26106-060202	BOLT, M6X 20 PLATED	6							
79	1	26366-080002	NUT, M8	1							
80	1	26022-050102	SCREW, M5X10	2							
81	1	26776-120002	NUT, LOCK M12	2							
82	1	43400-500450	SEAL WASHER 12S	2							
83	1	24311-240100	O-RING, 1AP10A	1							
84	1	26756-060002	NUT, LOCK M6	1							W
(A=EXXX)											
85	1	129255-61802	LEVER, STOP	1							W
(A=EXXX)											
86	1	129100-61821	SPRING, RETURN	1							W
(A=EXXX)											
87	1	135210-61090	LEAD	1							W
(A=EXXX)											
88	1	22451-060000	WIRE, 0.6	1							W
(A=EXXX)											

Remarks  
(1) SELECTIVE PART.

Fig.12. FUEL INJECTION VALVE

Y00D4521  
3TN84L-RT

D29503-53100  
D29100-59110  
D29100-59302



(A)=3TN84L-RT  
(B)=  
(C)=

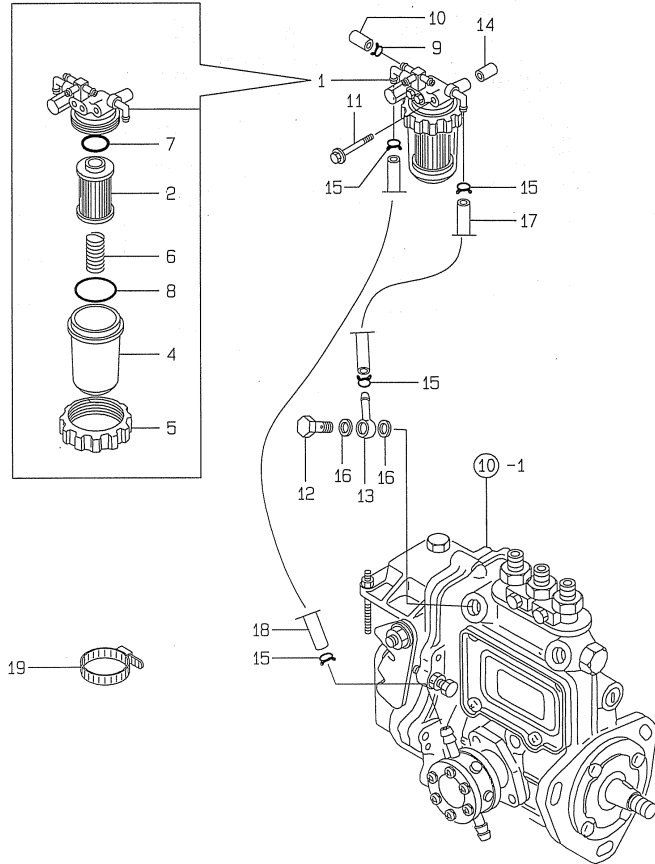
(D)=  
(E)=  
(F)=

No.	Lev.	Parts No.	Description	Q'ty						I	R
				(A)	(B)	(C)	(D)	(E)	(F)		
1	1	729503-53100	VALVE ASSY,INJECTION	3							
2	2	129503-53000	VALVE ASSY,INJECTION	3							
5	2	114250-53080	NUT, NOZZLE D16.95	3							
9	2	114250-53120	SPRING, NOZZLE	3							
10	2	114250-53130	SEAT, SPRING	3							
11	2	114250-53140	PLATE	3							
12	2	114250-53210	PIN	6							
13	2	114250-53400	SHIM SET	3							
20	1	129150-59120	RETAINER, PIPE	1							
23	2	129150-59130	BOLT, M4X12	2							
25	1	129100-59910	PIPE ASSY, INJECTION	1							
29	1	129100-59920	PIPE ASSY, INJECTION	1							
33	1	129100-59930	PIPE ASSY, INJECTION	1							
37	1	124766-59050	CLIP, HOSE 12	2							
38	1	124066-59100	CLIP, HOSE 8	7							
39	1	121250-59550	PIPE, FUEL D8X120	2							
40	1	119840-59560	PIPE, FUEL RETURN	1							
41	1	119840-59570	JOINT	1							
42	1	129150-59580	CAP	1							
43	1	105025-59750	PIPE, FUEL	1							
44	1	129100-59951	VALVE ASSY, CHECK	1							
52	1	23414-120000	GASKET, 12X1.0	2							

# Fig.13. FUEL PIPES

Y00D4521  
3TN84L-RT

D29114-55110  
D29100-59211



(A)=3TN84L-RT  
(B)=  
(C)=

(D)=  
(E)=  
(F)=

No.	Lev.	Parts No.	Description	Q'ty						I	R
				(A)	(B)	(C)	(D)	(E)	(F)		
1	1	129114-55620	FILTER ASSY, FUEL	1							
2	2	129100-55650	ELEMENT	1							
4	2	129100-55680	CUP, STRAINER	1							
5	2	129100-55690	RING, RETAINING	1							
6	2	129100-55700	SPRING	1							
7	2	24311-000160	O-RING, 1AP16.0	1							
8	2	24321-000650	O-RING, 1AG65.0	1							\$
9	1	124066-59100	CLIP, HOSE 8	1							
10	1	129150-59580	CAP	1							
11	1	26014-080852	BOLT, M8X 85	1							
11-1	1	26014-080702	BOLT, M8X 70	1							S
(A=FROM 1ST)											
12	1	103854-39140	BOLT, PIPE JOINT	1							
13	1	101304-59020	JOINT, PIPE 12	1							
14	1	129411-55690	SPACER	1							Z
(A=FROM 1ST)											
15	1	124766-59050	CLIP, HOSE 12	4							
16	1	104200-59170	GASKET, 12	2							
17	1	129555-59510	PIPE, D13/7.5X180	1							
18	1	105025-59530	PIPE, FUEL D13X400	1							
19	1	121750-59890	BAND, 140	1							Z
(A=EXXX)											

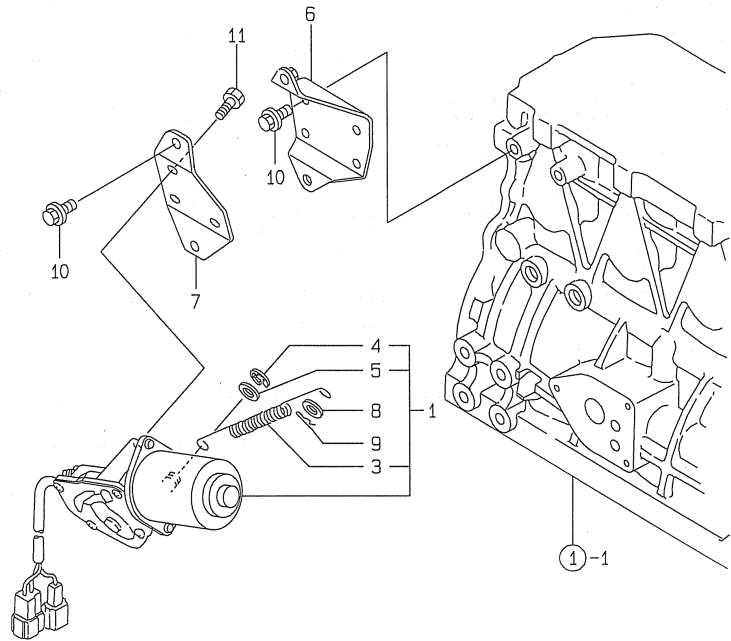
**Remarks**

(\$) THESE PARTS ARE SOLD BY FIG.17,  
REF.NO.1 OR 24.

# Fig.14. ENGINE STOP DEVICE

Y00D4521  
3TN84L-RT

D29137-66500



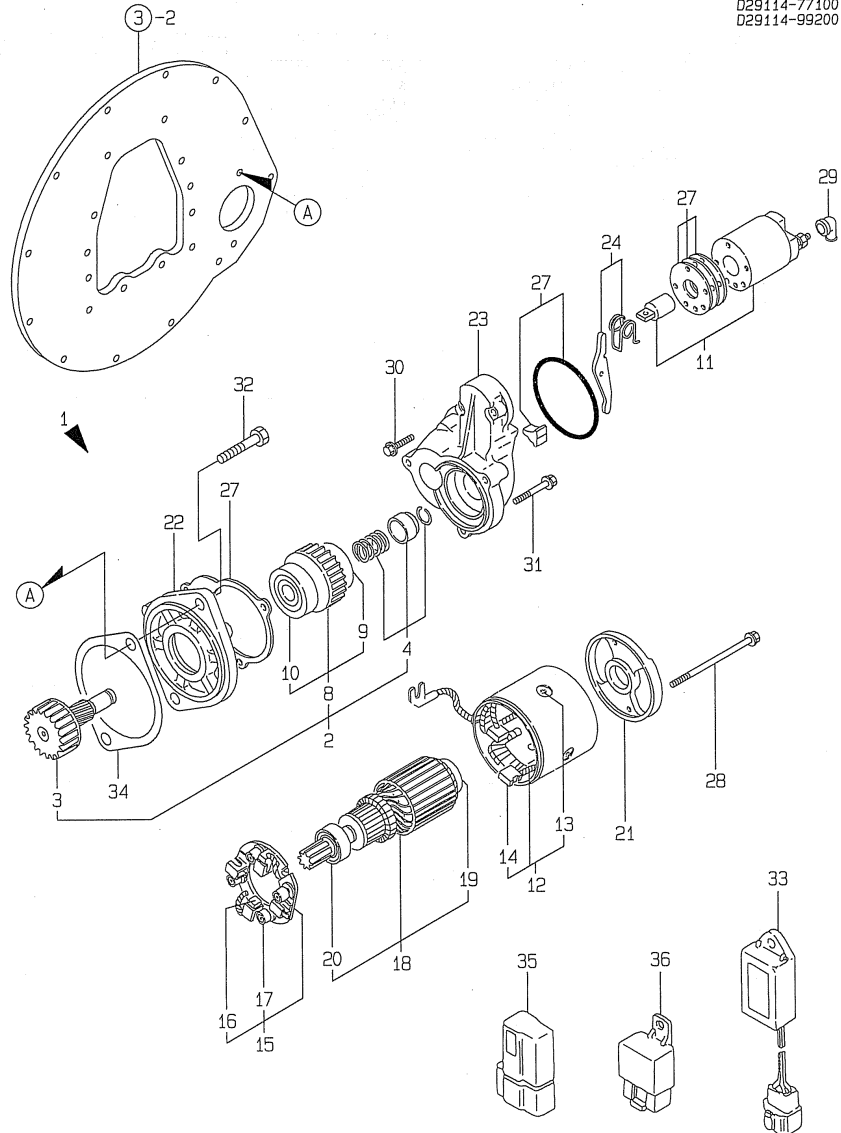
(A)=3TN84L-RT  
(B)=  
(C)=

(D)=  
(E)=  
(F)=

No.	Lev.	Parts No.	Description	Q'ty						I	R
				(A)	(B)	(C)	(D)	(E)	(F)		
1	1	129136-66800	MOTOR ASSY, STOP	1							
3	2	129107-66830	SPRING, STOP MOTOR	1							
4	2	129566-66880	RING, SNAP	1							
5	2	129566-66890	WASHER	1							
6	1	129107-66810	BRACKET, STOP MOTOR	1							
7	1	129107-66820	BRACKET, STOP MOTOR	1							
8	1	22117-080000	WASHER, 8	1							
9	1	22360-080000	SNAP PIN 8	1							
10	1	26106-080122	BOLT, M8X 12 PLATED	4							
11	1	26116-050102	BOLT, M5X 10 PLATED	3							

Fig.15. STARTING MOTOR

Y00D4521  
3TN84L-RL



D29114-77100  
D29114-99200

(A)=3TN84L-RT  
(B)=  
(C)=

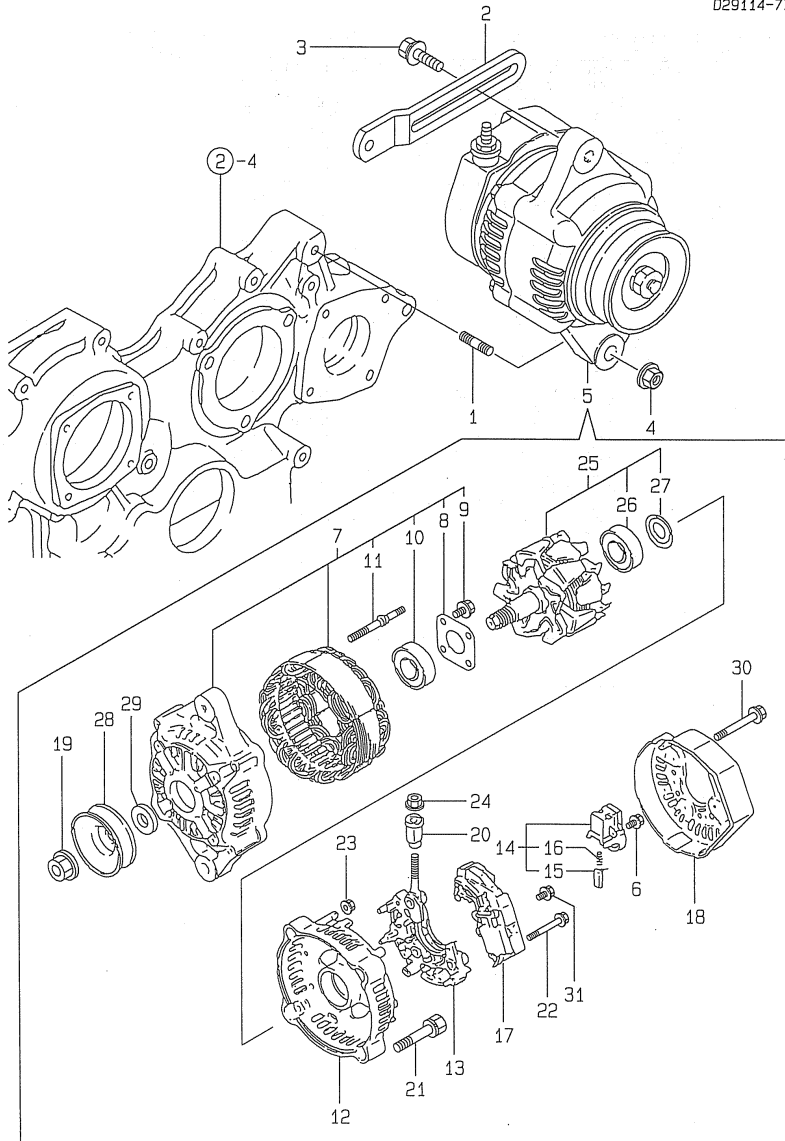
(D)=  
(E)=  
(F)=

No.	Lev.	Parts No.	Description	Q'ty						I	R
				(A)	(B)	(C)	(D)	(E)	(F)		
1	1	129136-77010	STARTER	1							
2	2	129136-77210	CLUTCH ASSY	1							
3	3	129136-77220	SHAFT, PINION	1							
4	3	171008-77670	STOPPER SET	1							
8	3	171008-77720	CLUTCH ASSY	1							
9	4	171008-77730	BEARING, BALL	1							
10	4	171008-77740	BEARING	1							
11	2	129136-77310	SWITCH ASSY	1							
12	2	129400-77440	COIL ASSY, FIELD	1							
13	3	171008-77450	SCREW	4							
14	3	129400-77460	BRUSH (+)	2							
15	2	129400-77470	HOLDER ASSY, BRUSH	1							
16	3	129400-77480	BRUSH (-)	2							
17	3	129400-77490	SPRING	4							
18	2	129136-77500	ARMATURE ASSY	1							
19	3	171008-77410	BEARING	1							
20	3	171008-77420	BEARING	1							
21	2	129400-77510	COVER, REAR	1							
22	2	171008-77510	CASE, GEAR	1							
23	2	129400-77520	HOUSING	1							
24	2	171008-77540	LEVER SET	1							
27	2	129400-77570	COVER KIT, DUST	1							
28	2	129400-77640	BOLT, THROUGH	2							
29	2	171008-77750	COVER	1							
30	2	26106-060322	BOLT, M6X 32 PLATED	2							
31	2	26106-060402	BOLT, M6X 40 PLATED	3							
32	1	26116-120252	BOLT, M12X 25 PLATED	2							
33	1	128300-77920	TIMER	1							
34	1	129350-77051	GASKET	1							Z
(A=FROM 1ST)											
35	1	119643-66900	DIODE	1							
36	1	119247-77100	RELAY, SAFETY	1							

# Fig.16. GENERATOR

Y00D4521  
3TN84L-RL

D29114-77200



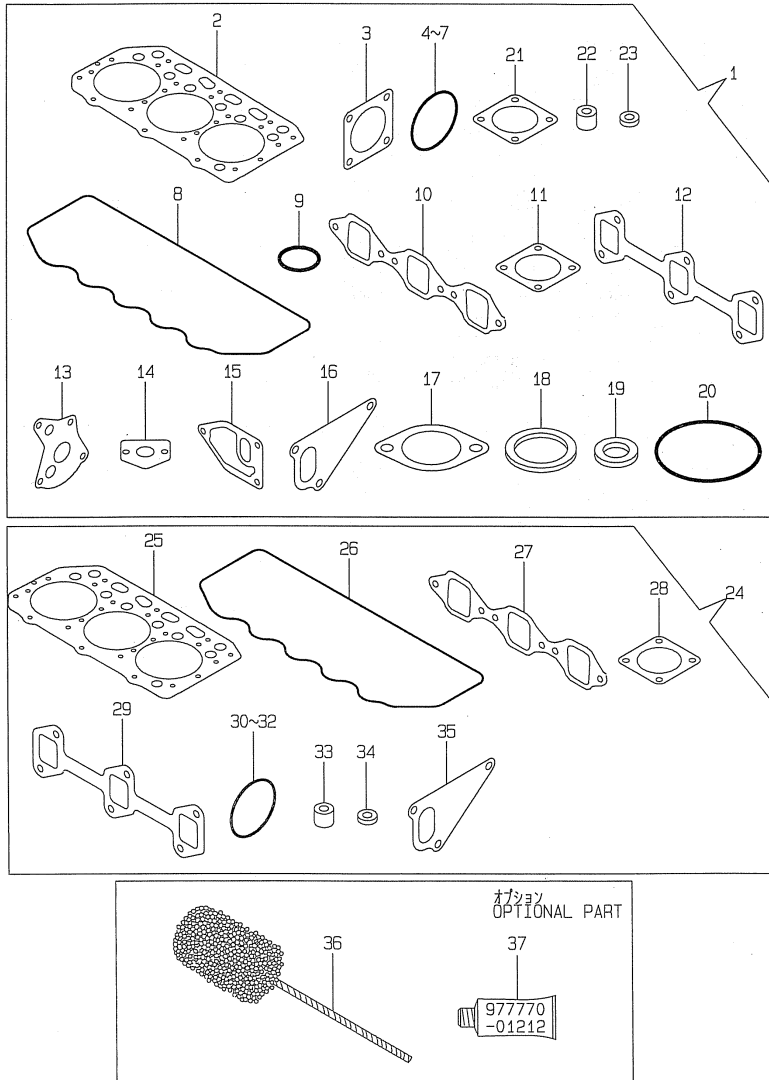
(A)=3TN84L-RT  
(B)=  
(C)=

(D)=  
(E)=  
(F)=

No.	Lev.	Parts No.	Description	Q'ty						I	R
				(A)	(B)	(C)	(D)	(E)	(F)		
1	1	129795-01900	STUD	1							
2	1	124411-77960	ADJUSTER	1							
3	1	26014-080252	BOLT, M8X 25	1							
4	1	26366-100002	NUT, M10	1							
5	1	128400-77200	GENERATOR, 12V-40A	1							
6	2	X9490065460	SCREW	6							
7	2	X0214005710	FRAME	1							
8	3	X0214110500	RETAINER	1							
9	3	X9490065200	SCREW	4							
10	3	X9491002950	BEARING, BALL	1							
11	3	X9490432120	STUD	2							
12	2	X0215015280	FRAME	1							
13	2	X0215803080	HOLDER	1							
14	2	X0216202190	HOLDER, BRUSH	1							
15	3	X0216600390	BRUSH	2							
16	3	X9491706990	SPRING	2							
17	2	X1260000600	REGULATOR	1							
18	2	X0215511130	COVER	1							
19	2	X9490562520	NUT	1							
20	2	X0216051700	BUSH	1							
21	2	X9490473410	BOLT	2							
22	2	X9131004251	SCREW	2							
23	2	X9490562480	NUT, M5	2							
24	2	X9490561001	NUT	1							
25	2	X0212003520	ROTOR ASSY	1							
26	3	X9491003670	BEARING, BALL	1							
27	3	X0215060070	COVER, BEARING	1							
28	2	X0210415670	PULLEY	1							
29	2	X0210450600	COLLAR	1							
30	2	X9490462040	BOLT	3							
31	2	X9490065470	SCREW	1							

Fig.17. GASKET SET(OPTIONAL)

Y00D4521  
3TN84L-RT



(A)=3TN84L-RT  
(B)=  
(C)=

(D)=  
(E)=  
(F)=

No.	Lev.	Parts No.	Description	Qty						I	R
				(A)	(B)	(C)	(D)	(E)	(F)		
1	1	729157-92600	GASKET SET	1							1
2	2	129157-01332	GASKET, HEAD	1							
3	2	124240-01883	GASKET	1							
4	2	121850-51960	O-RING	1							
5	2	24311-000320	O-RING, 1AP32.0	1							
6	2	24341-000500	O-RING, 1AS50.0	1							
7	2	24311-000320	O-RING, 1AP32.0	1							
8	2	129150-11310	GASKET, BONNET	1							
9	2	24311-000120	O-RING, 1AP12.0	3							
10	2	129150-12111	GASKET, MANIFOLD	1							
11	2	124701-11911	GASKET, SILENCER	1							
12	2	129150-13110	GASKET	1							
13	2	129150-32020	GASKET, PUMP	1							
14	2	129150-35041	GASKET	1							
15	2	129150-35111	GASKET	1							
16	2	129150-42020	GASKET, WATER PUMP	1							
17	2	129795-49551	GASKET	1							
18	2	129150-49811	GASKET, THERMOSTAT	1							
19	2	124465-44950	GASKET, 16	2							
20	2	24321-000650	O-RING, 1AG65.0	1							
21	2	129150-77511	GASKET	1							
22	2	119625-11870	PROTECTOR, NOZZLE	3							
23	2	119625-11880	SEAT, NOZZLE	3							
24	1	729157-92630	GASKET SET	1							1
25	2	129157-01332	GASKET, HEAD	1							
26	2	129150-11310	GASKET, BONNET	1							
27	2	129150-12111	GASKET, MANIFOLD	1							
28	2	124701-11911	GASKET, SILENCER	1							
29	2	129150-13110	GASKET	1							
30	2	24341-000500	O-RING, 1AS50.0	1							
31	2	24311-000320	O-RING, 1AP32.0	1							
32	2	24311-000120	O-RING, 1AP12.0	3							
33	2	119625-11870	PROTECTOR, NOZZLE	3							
34	2	119625-11880	SEAT, NOZZLE	3							
35	2	129150-42020	GASKET, WATER PUMP	1							
36	1	129400-92420	HONE	1							1
37	1	977770-01212	GASKET, LIQUID	1							1

Remarks  
(1) OPTIONAL PART.

## Parts No. Index

Parts No.	Fig. No.	Ref. No.
101304-59020	13	13
103338-11190	4	25
103854-39140	13	12
104200-59170	13	16
105025-59530	13	18
105025-59750	12	43
114250-53080	12	5
114250-53120	12	9
114250-53130	12	10
114250-53140	12	11
114250-53210	12	12
114250-53400	12	13
119247-77100	15	36
119260-34810	8	33
119620-49290	1	29
119625-11870	4	43
	17	22
		33
119625-11880	4	44
	17	23
		34
		45
119625-11900	4	45
119643-66900	15	35
119810-51040	10	4
119840-59560	12	40
119840-59570	12	41
119840-61440	11	24
119840-61870	11	62
119840-61880	11	63
119840-61890	11	64
119865-35300	8	20
120130-11860	4	13
121023-26061	2	33
121023-26070	2	34
121100-22400	7	23
121111-21501	7	10
121250-59550	12	39
121400-11340	4	26
121450-01560	2	2
121450-42450	9	27
121550-23200	7	28
121750-59890	13	19
121850-11860	4	16
121850-21680	7	9
121850-51960	2	10
	17	4
122117-51560	10	47
122710-51090	10	7
124066-59100	12	38
	13	9

Parts No.	Fig. No.	Ref. No.
124101-49530	9	21
124160-01751	2	3
	4	67
124160-01910	1	4
124160-11360	4	59
124160-39140	8	42
124160-39450	8	43
124240-01871	2	7
124240-01883	2	8
	17	3
124411-77960	16	2
124460-11340	4	27
124465-44950	9	28
	17	19
124550-21600	7	12
124550-51350	10	29
124550-51370	10	30
124550-59820	8	48
124550-66370	11	67
124701-11911	5	13
	17	11
		28
124722-42290	9	18
124736-07900	4	5
124766-59050	12	37
	13	15
124950-51190	10	14
128170-51300	10	24
128300-77920	15	33
128400-77200	16	5
129001-35300	8	20 -1
129002-32000	8	1 -1
129100-01580	3	1
		5
	7	6
129100-01640	3	6
129100-01730	3	17
129100-01790	3	15
129100-11100	4	21
129100-11110	4	22
129100-11350	4	48
129100-13110	5	4
129100-23910	7	27
129100-52100	10	91
129100-55650	13	2
129100-55680	13	4
129100-55690	13	5
129100-55700	13	6
129100-59910	12	25
129100-59920	12	29

Parts No.	Fig. No.	Ref. No.
129100-59930	12	33
129100-59951	12	44
129100-61400	11	17
129100-61440	11	24 -1
129100-61450	11	25
129100-61650	11	57
129100-61821	11	86
129100-61851	11	61
129100-61930	11	65
129105-22080	7	16
129105-22500	7	18
129105-22920	7	37
129105-22970	7	39
129107-66810	14	6
129107-66820	14	7
129107-66830	14	3
129114-21590	7	11
129114-34810	8	32
129114-34820	8	31
129114-55620	13	1
129120-77501	5	10
129136-66800	14	1
129136-77010	15	1
129136-77210	15	2
129136-77220	15	3
129136-77310	15	11
129136-77500	15	18
129137-26000	2	27
129137-26200	2	29
129150-01200	1	21
129150-02020	1	10
129150-02450	6	3
129150-02800	1	13
129150-02870	1	23
129150-02930	1	16
129150-02940	1	26
129150-03020	4	50
129150-03070	4	51
129150-03080	4	52
129150-03090	4	1
129150-11230	4	39
129150-11280	4	34
129150-11290	4	35
129150-11310	4	55
	17	8
		26
129150-11370	4	28
129150-11750	4	41
129150-11810	4	15
129150-12100	5	1

Parts No.	Fig. No.	Ref. No.
129150-12111	5	2
	17	10
		27
129150-13110	5	5
	17	12
		29
129150-14200	6	6
129150-14400	6	7
129150-22300	7	22
129150-23600	7	29
129150-23610	7	43
129150-32020	8	15
	17	13
129150-35041	8	36
	17	14
129150-35091	8	37
129150-35101	8	17
129150-35111	8	18
	17	15
129150-35151	8	19
129150-35350	8	28
129150-39450	8	44
129150-42001	9	1
129150-42020	9	15
	17	16
		35
129150-49811	9	24
	17	18
129150-59120	12	20
129150-59130	12	23
129150-59580	12	42
	13	10
129150-77511	5	11
	17	21
129155-11241	4	31
129155-11260	4	32
129155-11270	4	33
129155-49800	9	23
129155-51020	10	86
129155-51050	10	5
129155-51060	10	6
129155-51140	10	11
129155-51180	10	13
129155-51200	10	15
129155-51270	10	22
129155-51280	10	23
	11	3
129155-51320	10	27
129155-51340	10	28
129155-51370	10	31



## Parts No. Index

Parts No.	Fig. No.	Ref. No.
129155-51380	10	32
129155-51390	10	33
129155-51400	10	34
129155-51410	10	35
129155-51420	10	36
129155-51450	10	37
129155-51500	10	42
129155-51521	10	43
129155-51530	10	44
129155-51540	10	45
129155-51550	10	46
129155-51570	10	49
129155-51580	10	50
129155-51591	10	51
129155-51600	10	52
129155-51700	10	71
129155-51710	10	72
129155-51750	10	73
129155-51760	10	74
129155-51790	10	75
129155-51930	10	77
129155-51940	10	78
129155-52050	10	90
129155-61050	11	6
129155-61060	11	7
129155-61070	11	8
129155-61120	11	9
129155-61130	11	10
129155-61140	11	11
129155-61201	11	12
129155-61341	11	16
129155-61350	11	16 A
129155-61360	11	16 B
129155-61430	11	20
129155-61450	11	31
129155-61460	11	63 -1
129155-61480	11	32
129155-61490	11	37
129155-61540	11	56
129155-61810	11	59
129155-61830	11	60
129155-61950	11	66
129156-51910	10	76
129157-01332	1	22
	17	2
		25
129189-01600	3	2
129189-02800	2	23
129189-02990	2	22
129189-14100	6	4

Parts No.	Fig. No.	Ref. No.
129189-14580	6	1
129189-21100	7	1
129189-21200	7	3
129189-25050	6	8
129189-25060	6	11
129189-25100	6	9
129189-25900	6	13
129189-32000	8	1
129189-91980	2	25
129255-61802	11	85
129350-77051	15	34
129400-51100	10	8
129400-77440	15	12
129400-77460	15	14
129400-77470	15	15
129400-77480	15	16
129400-77490	15	17
129400-77510	15	21
129400-77520	15	23
129400-77570	15	27
129400-77640	15	28
129400-92420	17	36
129411-55690	13	14
129500-61501	11	38
129503-53000	12	2
129550-42350	9	19
129555-59510	13	17
129566-66880	14	4
129566-66890	14	5
129795-01780	3	8
129795-01800	2	6
129795-01900	16	1
129795-01950	2	9
129795-02411	1	19
129795-11120	4	23
129795-11180	4	24
129795-21661	7	8
129795-49551	9	22
	17	17
135210-61090	11	87
171008-77410	15	19
171008-77420	15	20
171008-77450	15	13
171008-77510	15	22
171008-77540	15	24
171008-77670	15	4
171008-77720	15	8
171008-77730	15	9
171008-77740	15	10
171008-77750	15	29

Parts No.	Fig. No.	Ref. No.
171051-01921	1	5
171301-01640	3	13
171340-21650	7	7
171353-01520	2	1
171353-01590	2	4
171353-26080	2	35
171353-61710	11	58
174307-51170	10	12
174307-51560	10	48
174307-51700	11	39
194990-22050	5	6
22117-040000	11	68
22117-080000	14	8
22217-060000	10	79
22217-120000	6	14
22272-000040	11	70
22272-000060	11	71
22287-120000	11	72
22312-080160	7	14
22312-080250	3	11
22351-030016	11	73
22351-040010	7	15
22351-050010	10	80
22351-060012	4	29
22360-080000	14	9
22372-040000	11	74
22451-060000	11	88
22512-070140	6	5
	7	4
23414-080000	8	49
23414-100000	8	50
23414-120000	12	52
23871-010000	1	6
23871-030000	4	17
23887-100002	11	76
24101-060064	2	32
24101-063030	2	24
24101-063034	10	81
24311-000120	4	60
	17	9
		32
24311-000160	2	11
	8	29
	13	7
24311-000320	2	12
	4	68
	17	5
		7
		31
24311-240100	8	34

Parts No.	Fig. No.	Ref. No.
24311-240100	11	83
24321-000600	2	26
24321-000650	13	8
	17	20
24341-000160	10	82
24341-000240	3	16
24341-000500	4	57
	17	6
		30
26014-060162	9	20
26014-060252	9	20 -1
26014-080252	16	3
26014-080702	13	11 -1
26014-080852	13	11
26014-100252	1	32
26022-050102	10	83
	11	80
26022-060162	10	84
26023-050102	11	2
26106-060102	11	77
26106-060202	11	78
26106-060322	15	30
26106-060402	15	31
26106-080122	2	13
	14	10
26106-080142	4	6
26106-080162	1	20
	2	14
		15
	3	18
	4	58
	8	35
26106-080202	8	30
26106-080252	3	19
	4	46
	5	3
	9	26
26106-080302	3	9
26106-080352	3	10
	5	12
	8	41
26106-080452	2	16
	3	20
26106-080502	3	21
	4	47
	6	12
26106-080552	2	17
	9	16
26106-080602	9	17
26106-080652	9	25

## Parts No. Index

Parts No.	Fig. No.	Ref. No.
26106-080802	5	7
26106-080852	2	18
26106-100452	2	36
26116-050102	14	11
26116-050302	10	85
26116-101002	3	22
26116-120252	15	32
26206-100202	3	3
26206-100252	3	4
26216-060202	4	18
26216-080222	5	8
26216-080802	5	9
26226-080182	4	42
26366-060002	4	30
26366-080002	2	19
	11	79
26366-100002	16	4
26450-060252	8	16
26450-080282	2	37
26687-120002	11	65 -1
26716-060002	10	87
26716-120002	6	15
26756-060002	11	84
26776-120002	11	81
27231-500000	1	7
27241-120000	1	8
27241-220000	4	19
27241-300000	1	9
27241-400000	4	20
27310-080001	4	25 -1
43400-500390	11	75
43400-500410	2	20
		21
43400-500430	11	69
43400-500450	11	82
43400-500490	10	88
729102-01540	3	12
729102-11700	4	7
729105-22900	7	31
729114-51360	10	1
729135-51370	10	1 -1
729157-01540	1	1
729157-22951	7	33
729157-92600	17	1
729157-92630	17	24
729402-11650	4	38
729402-23100	7	24
729503-53100	12	1
977770-01212	17	37
X0210415670	16	28

Parts No.	Fig. No.	Ref. No.
X0210450600	16	29
X0212003520	16	25
X0214005710	16	7
X0214110500	16	8
X0215015280	16	12
X0215060070	16	27
X0215511130	16	18
X0215803080	16	13
X0216051700	16	20
X0216202190	16	14
X0216600390	16	15
X1260000600	16	17
X9131004251	16	22
X9490065200	16	9
X9490065460	16	6
X9490065470	16	31
X9490432120	16	11
X9490462040	16	30
X9490473410	16	21
X9490561001	16	24
X9490562480	16	23
X9490562520	16	19
X9491002950	16	10
X9491003670	16	26
X9491706990	16	16

Parts No.	Fig. No.	Ref. No.
-----------	----------	----------

Parts No.	Fig. No.	Ref. No.
-----------	----------	----------