

OCD10-M44000EN

1 A 2

記載対象機種

The following models are described in the parts catalog.

機種名 Model	作業機メーカー Manufacturer's name	搭載商品名 Product equipped with the Model
3TN84L - RTBB	神鋼コベルコ建機(株) KOBELCO IND.	SK027
3TN84L - RTBC		SK032

Directions for the Parts Catalog.

1. The parts stipulated in this Parts Catalog are not necessarily standard equipped parts.
2. Parts may change without prior notice.
3. The following is an example of the Parts Catalog format.

REF.	LEV.	PARTS NO.	DESCRIPTION	Q'TY						I	R
				(A)	(B)	(C)	(D)	(E)	(F)		
1	1	729595-51390	FUEL INJECTION PUMP	1	1	1	1	1			1
1-1	1	729595-51391	FUEL INJECTION PUMP	1	1	1	1	1		N	1
		(A=E00185) (B=E00200)									
3	2	26022-060162	SCREW M 6X 16	9	9	9	9	9			
3-1	2	26022-060162	SCREW M 6X 16	4	4	4	4	4		K	
		(A=E00156) (B=E00156) (C=E00156) (D=E00156) (E=E00156)									
4	2	129470-51040	CAMSHAFT	1	1	1	1	1			
5	2	122710-51050	BEARING, ROLLER	2	2	2	2	2			
6	2	129470-51060	RETAINER	1	1	1	1	1			

Remarks
(1) BOOST COMPEMSATOR TYPE. OPTIONAL PART, TO E00155,(4JH-DT, 4JH-DTZ

① Ref. No.

The Ref. No. listed may not be in accordance with the illustration Ref. No.

(Ex.) Illustration No.

List Ref No.

1

1

(Before change)

1-1

(After change)

For interchangeable symbols N, R and K, illustrations for new parts may be abbreviated.

② Lev. (Level)

Level indication

The numbers below indicate the level of relativity towards the main part.

1 ----- Main parts (Assembly parts)

2 ----- Sub component included in " 1 ".

3 ----- Sub component included in " 2 ".

Note) Parts that are not for sale are partially illustrated but not listed.

③ Interchangeability Mark

When a part change takes place, one of the following interchangeability symbols is indicated beside the part.

Symbol	Interchangeability	Contents note
N	Old $\begin{matrix} \leftarrow \text{Yes} \\ \text{No} \rightarrow \end{matrix}$ New	New Part is interchangeable for Old Part but Old Part is not interchangeable for New Part.
Q	Old $\begin{matrix} \leftarrow \text{No} \\ \text{Yes} \rightarrow \end{matrix}$ New	New Part is not interchangeable for Old Part but Old Part is interchangeable for New Part.
R	Old $\begin{matrix} \leftarrow \text{Yes} \\ \text{Yes} \rightarrow \end{matrix}$ New	New/ Old Parts are both interchangeable.
S	Old $\begin{matrix} \leftarrow \text{No} \\ \text{No} \rightarrow \end{matrix}$ New	New/ Old Parts are both not interchangeable.
W		Part newly added.
Z		Part discontinued.
F		Not interchangeable by a single part but interchangeable together with related parts.
K		Changes only for used parts quantities.

④ Effective Machine No.

When a part changes, the effective Machine No. will be indicated in the (A)-(F) column.

Product Symbol	Product No.	Product Symbol	Product No.
C	Clutch No. Compressor No.	F	Machine No. (Agricultural Equip.)
D	Drive No.	M	Machine No.
E	Engine No.		

Note 1) A date may follow the symbol. (Ex.) 1996.01

Note 2) "XXXXX" and "ZZZZZ" are for parts that could not be predicted or for engine models that could not be identified.

Note 3) (A=E00185) is the E (Engine Serial Number) for the column (A) model (in this case 4JH-DT) after the parts design change.

⑤ Remarks Mark

Figures or alphabets (symbols) are entered in the remarks column.

The comments (remarks) on parts that are indicated at the bottom of the illustration are the same symbols as those stated above.

Contents

OCD10-M44000

Fig. No.	Fig. Name	Fig. No.	Fig. Name
ENGINE (3TN84L-RTBB,BC)			
1.	CYLINDER BLOCK		
2.	GEAR HOUSING		
3.	FLYWHEEL HOUSING & OIL SUMP		
4.	CYLINDER HEAD & BONNET		
5.	SUCTION MANIFOLD & AIR CLEANER		
6.	EXHAUST MANIFOLD & SILENCER		
7.	CAMSHAFT & DRIVE GEAR		
8.	CRANKSHAFT & PISTON		
9.	LUB. OIL SYSTEM		
10.	COOLING WATER SYSTEM		
11.	THERMOSTAT		
12.	FUEL INJECTION PUMP		
13.	GOVERNOR		
14.	FUEL INJECTION VALVE		
15.	FUEL PIPES		
16.	ENGINE STOP DEVICE		
17.	STARTING MOTOR		
18.	GENERATOR		
19.	TOOLS & GASKET SET(OPTIONAL)		

Fig.1. CYLINDER BLOCK

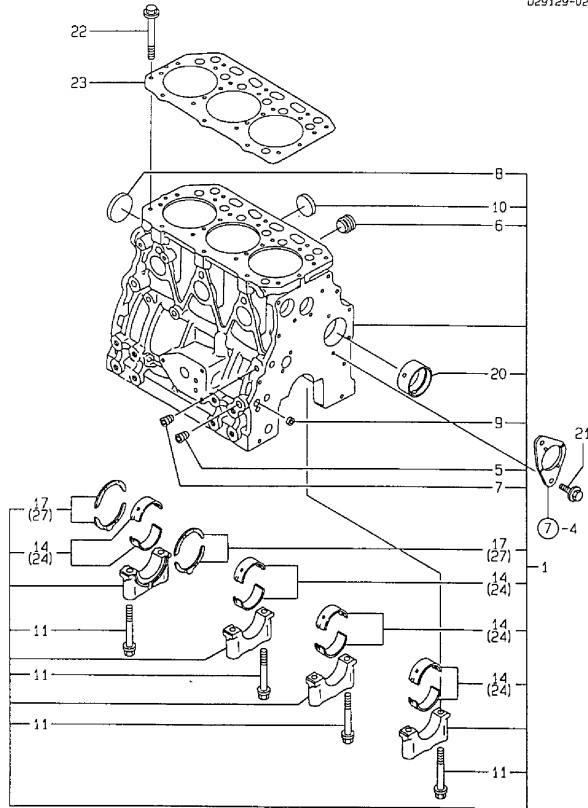
(A)=3TN84L-RTBB
(B)=3TN84L-RTBC
(C)=

(D)=
(E)=
(F)=

Y0004400
3TN84L-RTBB/C

1 シリンダブロック
1 CYLINDER BLOCK

029105-01100
029150-02100
029129-02200



No.	Lev.	Parts No.	Description	Q'ty						I	R
				(A)	(B)	(C)	(D)	(E)	(F)		
1	1	729157-01560	BLOCK ASSY, CYLINDER	1	1						
5	2	124160-01910	PLUG, PT1/4	3	3						
6	2	171051-01921	PLUG, NPTF1	1	1						
7	2	23871-010000	PLUG, R01	1	1						
8	2	27231-500000	PLUG 50	1	1						
9	2	27241-120000	PLUG, 12	2	2						
10	2	27241-300000	PLUG 30	6	6						
11	2	129150-02020	BOLT, METAL CAP	8	8						
14	2	129150-02800	BEARING, MAIN	4	4						
17	2	129150-02930	BEARING, THRUST	2	2						
20	2	129795-02411	BUSH, CAMSHAFT	1	1						
21	1	26106-080162	BOLT, M8X 16 PLATED	2	2						
22	1	129150-01200	BOLT, HEAD	14	14						
23	1	129157-01332	GASKET, HEAD	1	1						\$
24	1	129150-02870	BEARING, 0.25 US	4	4						1
27	1	129150-02940	BEARING, THRUST 0.25	2	2						2

Remarks

- (1) UNDER-SIZE(U.S=0.25)PART.
- (2) OVER-SIZE(O.S=0.25)PART.
- (3) THESE PARTS ARE SOLD BY FIG.19, REF.NO.1.

Fig.2. GEAR HOUSING

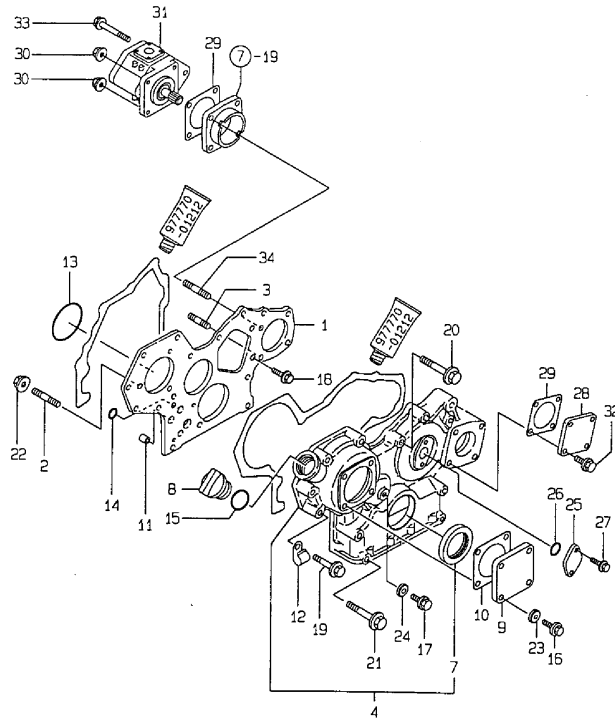
(A)=3TN84L-RTBB
(B)=3TN84L-RTBC
(C)=

(D)=
(E)=
(F)=

Y00D4400
3TN84L-RTBB/C

ギヤケース
GEAR HOUSING

029495-01220
029190-01910
029256-26210



No.	Lev.	Parts No.	Description	Q'ty						I	R
				(A)	(B)	(C)	(D)	(E)	(F)		
1	1	129100-01520	FLANGE, GEAR CASE	1	1						
2	1	121450-01560	STUD, M8X22	3	3						
3	1	129150-01580	STUD, M8X30	1	1						
4	1	129100-01590	CASE ASSY, GEAR	1	1						
7	2	129795-01800	SEAL, OIL	1	1						
8	1	124160-01751	COVER, FILLER	1	1						
9	1	124240-01871	COVER	1	1						
10	1	124240-01883	GASKET	1	1						\$
11	1	129795-01950	PIPE, KNOCK L=18	2	2						
12	1	129150-03100	RETAINER, PIPE	1	1						
13	1	121850-51960	O-RING	1	1						\$
14	1	24311-000160	O-RING, 1AP16.0	2	2						\$
15	1	24311-000320	O-RING, 1AP32.0	1	1						\$
16	1	26106-080122	BOLT, M8X 12 PLATED	4	4						
17	1	26106-080162	BOLT, M8X 16 PLATED	1	1						
18	1	26106-080162	BOLT, M8X 16 PLATED	3	3						
19	1	26106-080452	BOLT, M8X 45 PLATED	6	6						
20	1	26106-080552	BOLT, M8X 55 PLATED	3	3						
21	1	26106-080852	BOLT, M8X 85 PLATED	4	4						
22	1	26366-080002	NUT, M8	3	3						
23	1	43400-500410	SEAL WASHER 8	4	4						\$
24	1	43400-500410	SEAL WASHER 8	1	1						\$
25	1	121023-01550	COVER	1	1						
26	1	24341-000240	O-RING, 1AS24.0	1	1						\$
27	1	26106-060122	BOLT, M6X 12 PLATED	2	2						
28	1	124240-01871	COVER	1	1						
29	1	124240-01882	GASKET	2	2						
30	1	194990-22050	NUT, M8	2	2						
31	1	119462-26010	PUMP ASSY, HYDRAULIC	1	1						
32	1	26106-080162	BOLT, M8X 16 PLATED	4	4						
33	1	26106-080952	BOLT, M8X 95 PLATED	2	2						
34	1	26216-080402	STUD, M8X 40	1	1						

Remarks
(\$) THESE PARTS ARE SOLD BY FIG.19,
REF.NO.1.

Fig.3. FLYWHEEL HOUSING & OIL SUMP

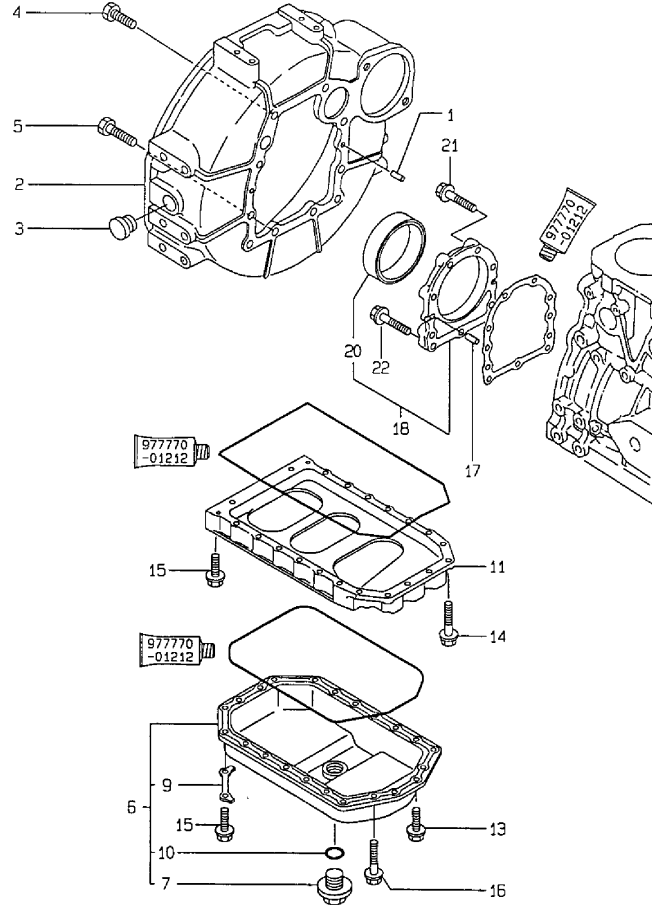
(A)=3TN84L-RTBB
(B)=3TN84L-RTBC
(C)=

(D)=
(E)=
(F)=

Y00D4400
3TN84L-RTBB/C

3 フライホイールハウジング & オイルパン
FLYWHEEL HOUSING & LUB.OIL SUMP

D29100-01310
D25100-01400
D29100-01510



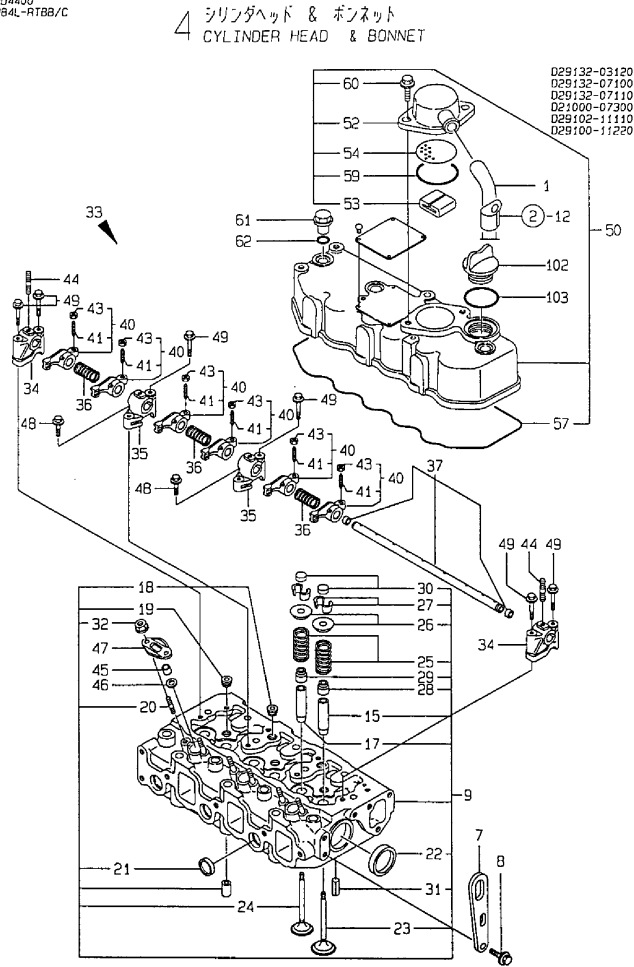
No.	Lev.	Parts No.	Description	Q'ty						I	R
				(A)	(B)	(C)	(D)	(E)	(F)		
1	1	129100-01580	PIN, M8X16	2	2						
2	1	171301-01600	HOUSING, FLYWHEEL	1	1						
3	1	119620-01750	CAP	1	1						
4	1	26206-100252	BOLT, M10X 25 PLATED	6	6						
5	1	26206-100302	BOLT, M10X 30 PLATED	4	4						
6	1	729102-01540	SUMP ASSY, OIL	1	1						
7	2	171301-01640	PLUG, 22	1	1						
9	2	129100-01790	RETAINER	2	2						
10	2	24341-000240	O-RING, 1AS24.0	1	1						
11	1	129100-01730	SPACER, OIL SUMP	1	1						
13	1	26106-080162	BOLT, M8X 16 PLATED	4	4						
14	1	26106-080252	BOLT, M8X 25 PLATED	2	2						
15	1	26106-080452	BOLT, M8X 45 PLATED	16	16						
16	1	26106-080502	BOLT, M8X 50 PLATED	4	4						
17	1	129100-01580	PIN, M8X16	2	2						
18	1	129100-01640	CASE ASSY, OIL SEAL	1	1						
20	2	129795-01780	SEAL, OIL	1	1						
21	1	26106-080302	BOLT, M8X 30 PLATED	6	6						
22	1	26106-080352	BOLT, M8X 35 PLATED	3	3						
33-1	1	26106-080452	BOLT, M8X 45 PLATED	16	16						
34-1	1	26106-080502	BOLT, M8X 50 PLATED	4	4						

Fig.4. CYLINDER HEAD & BONNET

(A)=3TN84L-RTBB
(B)=3TN84L-RTBC
(C)=

(D)=
(E)=
(F)=

Y0034400
3TN84L-RTBB/C



No.	Lev.	Parts No.	Description	Q'ty						I	R
				(A)	(B)	(C)	(D)	(E)	(F)		
1	1	23065-160800	PIPE, 16X 800	1	1						
7	1	124736-07900	LIFTER	2	2						
8	1	26106-080142	BOLT, M8X 14 PLATED	4	4						
9	1	729102-11700	HEAD ASSY, CYLINDER	1	1						
15	2	120130-11860	GUIDE, VALVE	3	3						1
17	2	129150-11810	GUIDE, VALVE	3	3						1
18	2	121850-11860	PLUG, PT1/4	2	2						
19	2	23871-030000	PLUG, R03	3	3						
20	2	26216-060202	STUD, M6X 20	6	6						
21	2	27241-220000	PLUG, 22	3	3						
22	2	27241-400000	PLUG, 40	2	2						
23	2	129100-11100	VALVE, INTAKE	3	3						
24	2	129100-11110	VALVE, EXHAUST	3	3						
25	2	129795-11120	SPRING, VALVE	6	6						
26	2	129795-11180	RETAINER, SPRING	6	6						
27	2	103338-11190	COTTER	6	6						
28	2	121400-11340	SEAL, VALVE STEM	3	3						\$
29	2	124460-11340	SEAL, VALVE STEM	3	3						\$
30	2	129150-11370	CAP, VALVE	6	6						
31	2	22351-060012	PIN, SPRING 6.0X12	2	2						
32	2	26366-060002	NUT, M6	6	6						
33	1	129155-11241	SHAFT ASSY, ROCKER	1	1						
34	2	129155-11260	SUPPORT, ROCKER ARM	2	2						
35	2	129155-11270	SUPPORT, ROCKER ARM	2	2						
36	2	129150-11280	SPRING	3	3						
37	2	129150-11290	SHAFT, ROCKER ARM	1	1						
40	2	729402-11650	ARM ASSY, ROCKER	6	6						
41	3	129150-11230	SCREW, VALVE ADJUST	6	6						
43	3	129150-11750	NUT, M8	6	6						
44	2	26226-080182	STUD, M8X 18	3	3						
45	1	119625-11870	PROTECTOR, NOZZLE	3	3						\$
46	1	119625-11880	SEAT, NOZZLE	3	3						\$
47	1	119625-11900	RETAINER, NOZZLE	3	3						
48	1	26106-080252	BOLT, M8X 25 PLATED	2	2						
49	1	26106-080502	BOLT, M8X 50 PLATED	6	6						
50	1	129100-11350	BONNET ASSY, HEAD	1	1						
52	2	129150-03020	COVER, BREATHER	1	1						
53	2	129150-03070	BAFFLE, BREATHER	1	1						
54	2	129150-03080	PLATE, BAFFLE	1	1						
57	2	129150-11310	GASKET, BONNET	1	1						\$
59	2	24341-000500	O-RING, 1AS50.0	1	1						\$
60	2	26106-080162	BOLT, M8X 16 PLATED	2	2						
61	1	124160-11360	KNOB	3	3						
62	1	24311-000120	O-RING, 1AP12.0	3	3						\$
102	1	124160-01751	COVER, FILLER	1	1						
103	1	24311-000320	O-RING, 1AP32.0	1	1						\$

Remarks

(\$) THESE PARTS ARE SOLD BY FIG.19,
REF.NO.1.

(1) REPAIR PART.

N:Old $\xrightarrow{\text{Yes}}$ New, Q:Old $\xrightarrow{\text{No}}$ New, R:Old $\xrightarrow{\text{Yes}}$ New, S:Old $\xrightarrow{\text{No}}$ New, W:Add, Z:Discontinued, F:Interchangeable by set, K:Q'ty Change

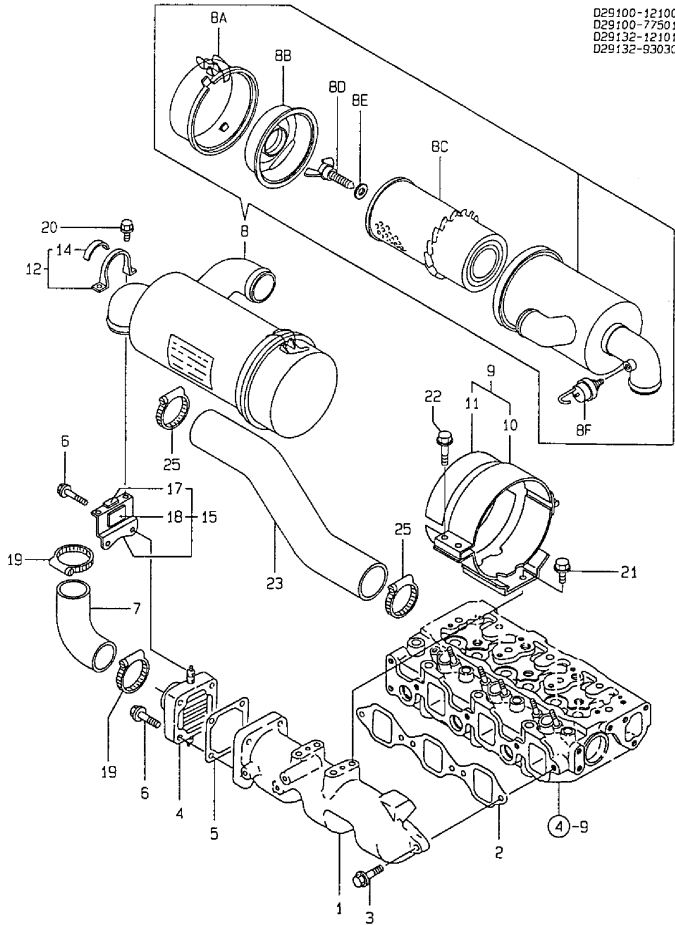
Fig.5. SUCTION MANIFOLD & AIR CLEANER

(A)=3TN84L-RTBB
(B)=3TN84L-RTBC
(C)=

(D)=
(E)=
(F)=

Y00D4400
3TN84L-RTBB/C

5 5 5
SUCTION MANIFOLD & AIR CLEANER



D29100-12100
D29100-77501
D29132-12101
D29132-93030

No.	Lev.	Parts No.	Description	Q'ty						I	R
				(A)	(B)	(C)	(D)	(E)	(F)		
1	1	129122-12100	MANIFOLD, AIR INTAKE	1	1						
2	1	129150-12111	GASKET, MANIFOLD	1	1						\$
3	1	26106-080252	BOLT, M8X 25 PLATED	4	4						
4	1	129120-77501	HEATER	1	1						
5	1	129150-77511	GASKET	1	1						\$
6	1	26106-080352	BOLT, M8X 35 PLATED	4	4						
7	1	119840-12210	PIPE, AIR INTAKE	1	1						
8	1	129132-12521	CLEANER ASSY, AIR	1	1						
8A	2	121120-12531	PAN, DUST	1	1						
8B	2	121120-12541	RETAINER, ELEMENT	1	1						
8C	2	121120-12901	ELEMENT	1	1						
8D	2	121120-12561	BOLT	1	1						
8E	2	121120-12571	WASHER, SEAL	1	1						
8F	2	121262-12800	INDICATOR	1	1						
9	1	129132-12581	SUPPORT ASSY,CLEANER	1	1						
10	2	129132-12561	SUPPORT, AIR CLEANER	1	1						
11	2	119640-12580	SEAT, RUBBER	2	2						
12	1	129132-12800	BAND, AIR CLEANER	1	1						
14	2	129132-12860	SEAT, RUBBER	1	1						
15	1	129132-12810	SUPPORT, AIR CLEANER	1	1						
17	2	129132-12890	SEAT, RUBBER	1	1						
18	2	129132-12900	DAMPER	1	1						
19	1	23000-060000	CLAMP, 60	2	2						
20	1	26106-060142	BOLT, M6X 14 PLATED	2	2						
21	1	26106-080142	BOLT, M8X 14 PLATED	4	4						
22	1	26106-080252	BOLT, M8X 25 PLATED	2	2						
23	1	129132-12240	PIPE, AIR INTAKE	1	1						
24	1	129132-12250	PIPE, AIR INTAKE	1	1						
25	1	23000-060000	CLAMP, 60	4	4						

Remarks

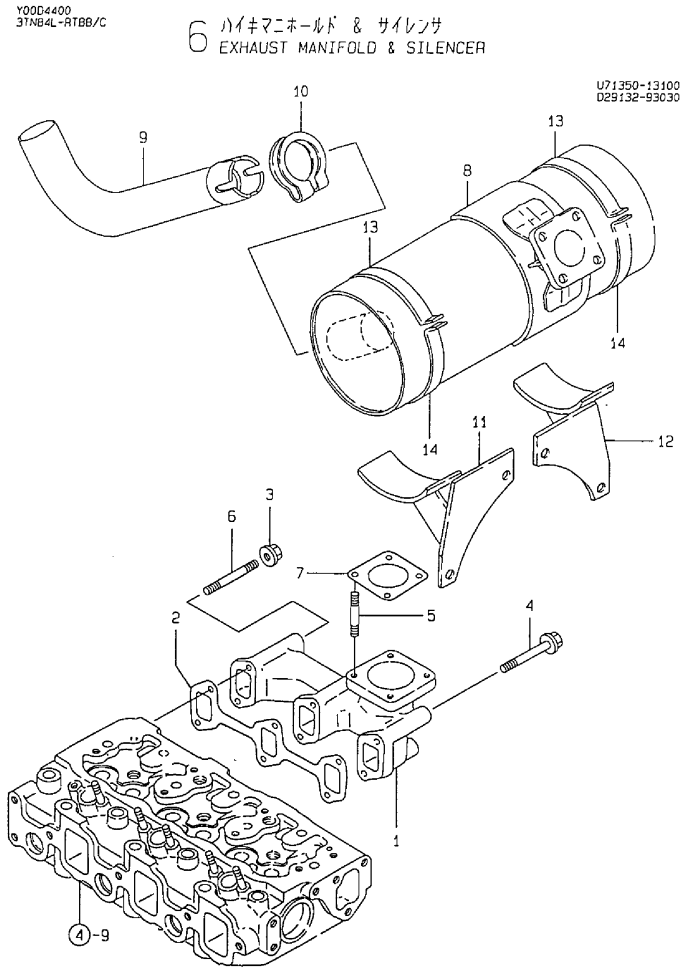
(\$) THESE PARTS ARE SOLD BY FIG.19,
REF.NO.1.

N:Old $\xrightarrow{\text{Yes}}$ New, Q:Old $\xrightarrow{\text{No}}$ New, R:Old $\xrightarrow{\text{Yes}}$ New, S:Old $\xrightarrow{\text{No}}$ New, W:Add, Z:Discontinued, F:Interchangeable by set, K:Q'ty Change

Fig.6. EXHAUST MANIFOLD & SILENCER

(A)=3TN84L-RTBB
(B)=3TN84L-RTBC
(C)=

(D)=
(E)=
(F)=



6 ハイキマニホールド & サイレンサ
EXHAUST MANIFOLD & SILENCER

No.	Lev.	Parts No.	Description	Q'ty						I	R
				(A)	(B)	(C)	(D)	(E)	(F)		
1	1	171350-13100	MANIFOLD, EXHAUST	1	1						
2	1	129150-13110	GASKET	1	1						\$
3	1	194990-22050	NUT, M8	2	2						
4	1	26106-080802	BOLT, M8X 80 PLATED	4	4						
5	1	26216-080222	STUD, M8X 22	4	4						
6	1	26216-080802	STUD, M8X 80	2	2						
7	1	124701-11911	GASKET, SILENCER	1	1						\$
8	1	129132-13500	SILENCER	1	1						
9	1	129132-13550	PIPE	1	1						
10	1	121120-13580	CLAMP	1	1						
11	1	129130-13650	SUPPORT	1	1						
12	1	129130-13660	SUPPORT	1	1						
13	1	129111-13670	BAND, SILENCER	1	1						
14	1	129111-13680	BAND, SILENCER	1	1						

Remarks

(\$) THESE PARTS ARE SOLD BY FIG.19,
REF.NO.1.

Fig.7. CAMSHAFT & DRIVE GEAR

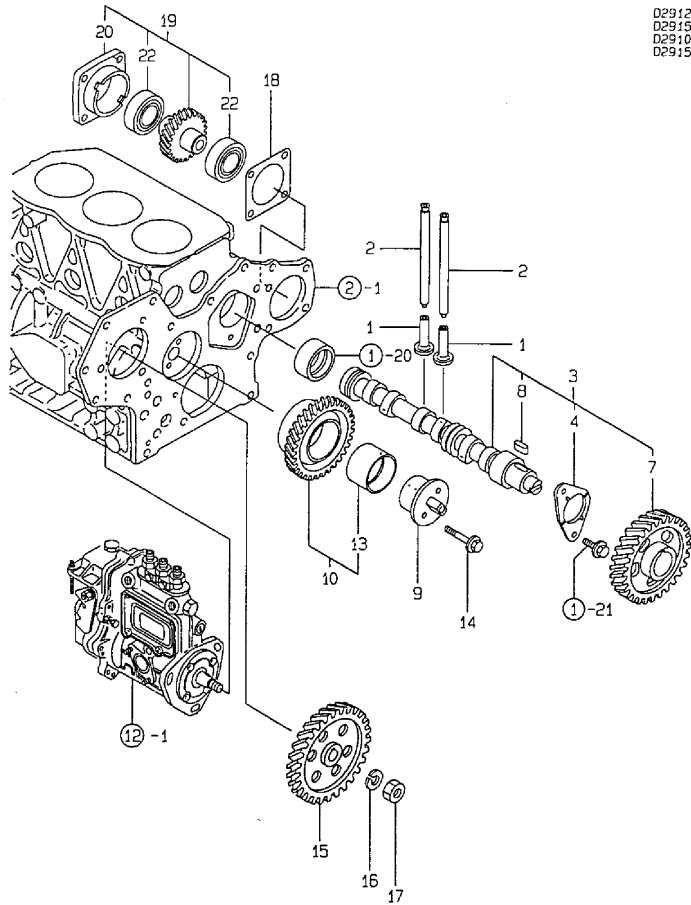
(A)=3TN84L-RTBB
(B)=3TN84L-RTBC
(C)=

(D)=
(E)=
(F)=

Y00D4400
3TN84L-RTBB/C

7 カムシャフト & クドウギヤ
CAMSHAFT & DRIVING GEAR

D29129-14100
D29150-25200
D29100-25101
D29150-26100



No.	Lev.	Parts No.	Description	Q'ty						I	R
				(A)	(B)	(C)	(D)	(E)	(F)		
1	1	129150-14200	TAPPET	6	6						
2	1	129150-14400	ROD, PUSH L=178	6	6						
3	1	129129-14580	CAMSHAFT ASSY	1	1						
4	2	129150-02450	BEARING, THRUST	1	1						
7	2	129150-14101	GEAR, CAMSHAFT	1	1						
8	2	22512-070140	KEY, 7X 14	1	1						
9	1	129100-25061	SHAFT, IDLE	1	1						
10	1	129150-25101	GEAR ASSY, IDLE	1	1						
13	2	129150-25920	BUSH, IDLE GEAR	1	1						
14	1	26106-080452	BOLT, M8X 45 PLATED	2	2						
15	1	129150-25900	GEAR, PUMP	1	1						
16	1	22217-120000	WASHER, SPRING 12	1	1						
17	1	26716-120002	NUT, M12	1	1						
18	1	129150-01881	GASKET	1	1						
19	1	129150-26000	DRIVE ASSY, PUMP	1	1						
20	2	129150-26050	BRACKET, PUMP	1	1						
22	2	24101-060064	BEARING, BALL 6006	2	2						

Fig.8. CRANKSHAFT & PISTON

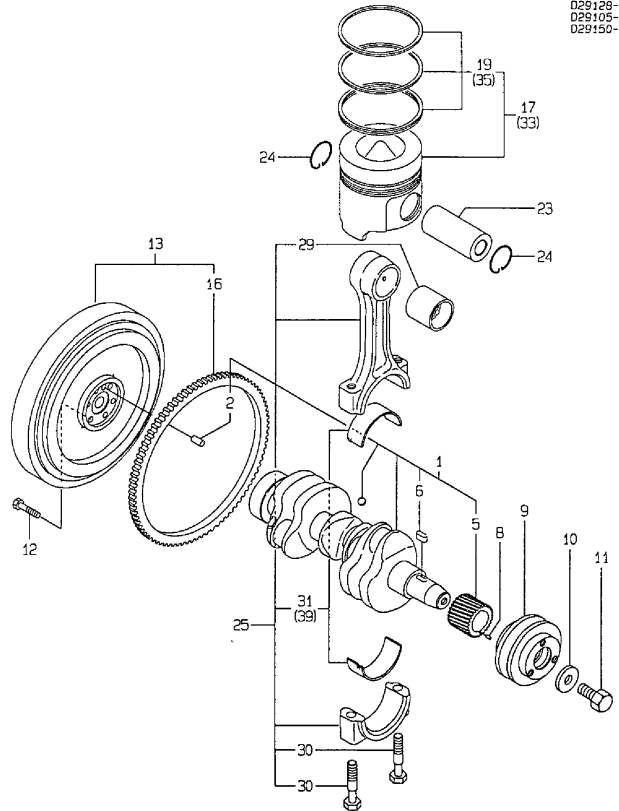
(A)=3TN84L-RTBB
(B)=3TN84L-RTBC
(C)=

(D)=
(E)=
(F)=

Y0004400
3TN84L-RTBB/C

クランクシャフト & ピストン
CRANKSHAFT & PISTON

D29100-21100
D29100-21200
D29105-21300
D29105-22110
D29150-23100



No.	Lev.	Parts No.	Description	Q'ty						I	R
				(A)	(B)	(C)	(D)	(E)	(F)		
1	1	729102-21700	CRANKSHAFT ASSY	1	1						
2	2	129100-01580	PIN, M8X16	1	1						
5	2	129150-21200	GEAR, CRANKSHAFT	1	1						
6	2	22512-070140	KEY, 7X 14	1	1						
8	1	22351-040010	PIN, SPRING 4.0X10	1	1						
9	1	171340-21650	V-PULLEY	1	1						
10	1	129795-21661	WASHER	1	1						
11	1	121850-21680	BOLT	1	1						
12	1	121111-21501	BOLT, FLYWHEEL	6	6						
13	1	129128-21590	FLYWHEEL ASSY	1	1						
16	2	119865-21600	GEAR, RING	1	1						
17	1	129105-22080	PISTON ASSY	3	3						
19	2	129105-22500	RING SET, PISTON	3	3						
23	1	129150-22300	PIN, PISTON D26 L66	3	3						
24	1	121100-22400	CIRCLIP	6	6						
25	1	729402-23100	ROD ASSY, CONNECTING	3	3						
29	2	129100-23910	BEARING, PISTON PIN	3	3						1
30	2	121550-23200	BOLT, CONNECTING ROD	6	6						
31	2	129150-23600	BEARING, CRANK PIN	3	3						
33	1	729105-22900	PISTON ASSY, 0.25 OS	3	3						2
35	2	729157-22951	RING SET, 0.25 OS	3	3						2
39	1	129150-23610	BEARING, 0.25 US	3	3						3

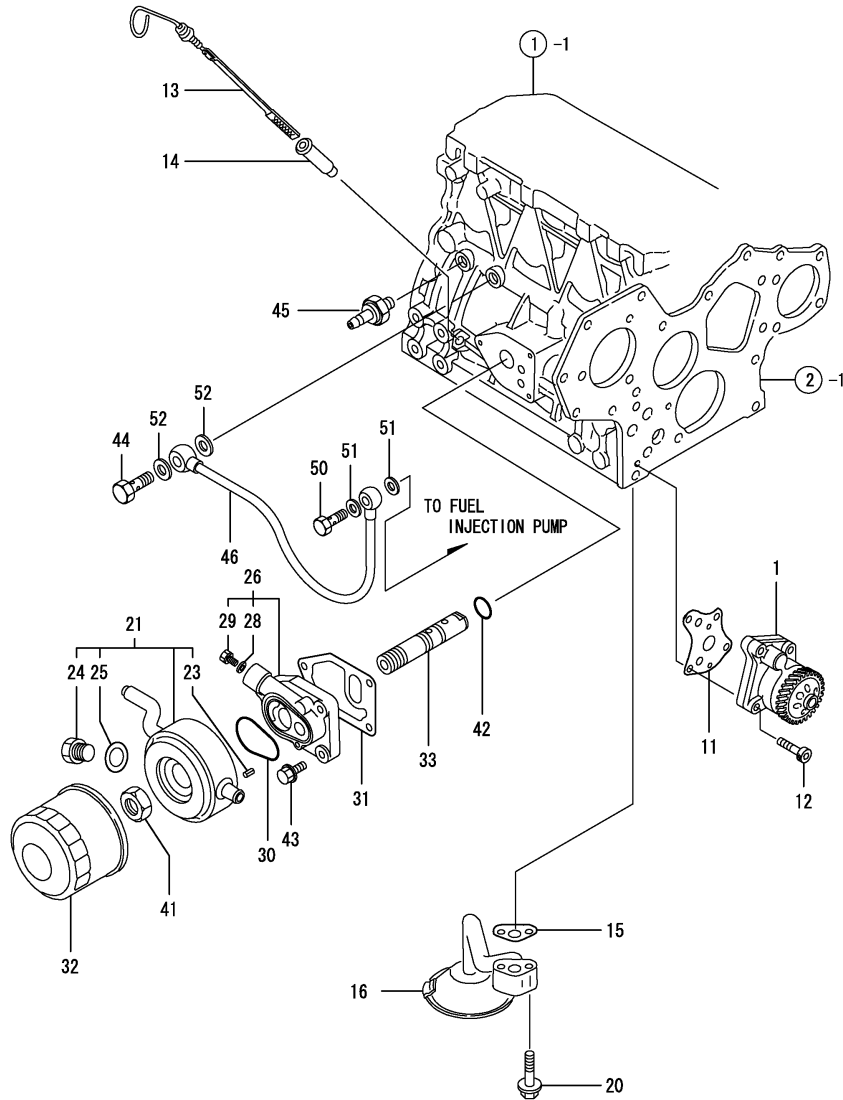
Remarks

- (1) REPAIR PART.
- (2) OVER-SIZE(O.S=0.25)PART.
- (3) UNDER-SIZE(U.S=0.25)PART.

Fig.9. LUB. OIL SYSTEM

(A)=3TN84L-RTBB
(B)=3TN84L-RTBC
(C)=

(D)=
(E)=
(F)=



No.	Lev.	Parts No.	Description	Q'ty						I	R
				(A)	(B)	(C)	(D)	(E)	(F)		
1	1	129150-32000	PUMP ASSY, OIL	1	1						
11	1	129150-32020	GASKET, PUMP	1	1						\$
12	1	26450-060252	BOLT, M6X 25	4	4						
13	1	171420-34800	DIPSTICK, OIL	1	1						
14	1	121520-34810	GUIDE, DIPSTICK	1	1						
15	1	129150-35041	GASKET	1	1						\$
16	1	129150-35091	PIPE ASSY, OIL INLET	1	1						
20	1	26106-080352	BOLT, M8X 35 PLATED	2	2						
21	1	129120-33001	COOLER ASSY, OIL	1	1						
23	2	129120-33040	PIN	2	2						
24	2	129120-33051	PLUG, DRAIN	1	1						
25	2	129120-33060	GASKET	1	1						
26	1	129120-35001	BRACKET ASSY	1	1						
28	2	23414-100000	GASKET, 10X1.0	1	1						
29	2	23881-100002	PLUG, 10	1	1						
30	1	129120-35110	GASKET	1	1						
31	1	129120-35121	GASKET	1	1						\$
32	1	129150-35150	FILTER 90X80L	1	1						
33	1	129120-35300	VALVE ASSY, CONTROL	1	1						
41	1	129150-35350	NUT	1	1						
42	1	24311-000160	O-RING, 1AP16.0	1	1						\$
43	1	26106-080252	BOLT, M8X 25 PLATED	3	3						
44	1	124160-39140	BOLT, PIPE JOINT M10	1	1						
45	1	124160-39450	SWITCH, 0.5KG	1	1						
46	1	129150-39450	PIPE ASSY, OIL	1	1						
50	1	124550-59820	BOLT, PIPE JOINT M8	1	1						
51	1	23414-080000	GASKET, 8X1.0	2	2						\$
52	1	23414-100000	GASKET, 10X1.0	2	2						\$

Remarks
(\$) THESE PARTS ARE SOLD BY FIG.19,
REF.NO.1.

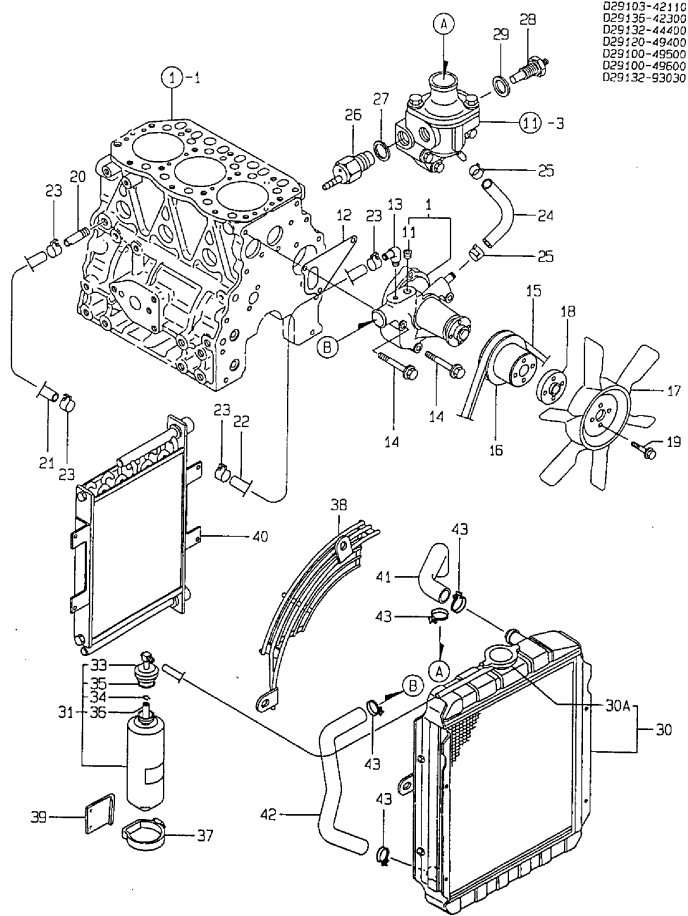
Fig.10. COOLING WATER SYSTEM

(A)=3TN84L-RTBB
(B)=3TN84L-RTBC
(C)=

(D)=
(E)=
(F)=

Y0024400
3TN84L-RTBB/C

10 CWシステム
COOLING WATER SYSTEM



No.	Lev.	Parts No.	Description	Q'ty						I	R
				(A)	(B)	(C)	(D)	(E)	(F)		
1	1	129100-42002	PUMP ASSY, WATER	1	1						
11	2	23871-030000	PLUG, R03	1	1						
12	1	129100-42020	GASKET, WATER PUMP	1	1						\$
13	1	129103-49301	ELBOW, PT1/4	1	1						
14	1	26106-080602	BOLT, M8X 60 PLATED	3	3						
15	1	119865-42290	V-BELT, A36.5	1	1						
16	1	129556-42350	V-PULLEY, 96	1	1						
17	1	121520-44740	FAN, COOLING D325	1	1						
18	1	124574-44761	SPACER, FAN	1	1						
19	1	26014-060302	BOLT, M6X 30	4	4						
20	1	104207-44480	JOINT	1	1						
21	1	129120-49030	HOSE	1	1						
22	1	129403-49050	PIPE, WATER	1	1						
23	1	23000-022000	CLAMP, 22	4	4						
24	1	129100-49050	PIPE, WATER	1	1						
25	1	23000-016000	CLAMP, 16	2	2						
26	1	121250-44901	SWITCH, 110	1	1						
27	1	124465-44950	GASKET, 16	1	1						\$
28	1	124250-49351	SENSOR	1	1						
29	1	129150-49360	GASKET	1	1						
30	1	119869-44510	RADIATOR	1	1						
30A	2	123682-44210	CAP, RADIATOR	1	1						
31	1	171064-44510	TANK ASSY, SUB	1	1						
33	2	121450-44531	CAP	1	1						
34	2	124450-44560	RETAINER	1	1						
35	2	121470-44581	GASKET	1	1						
36	2	23065-070225	PIPE 7X 225	1	1						
37	1	124450-44550	BAND	1	1						
38	1	129132-44590	NET, WIRE	1	1						
39	1	121256-44600	BRACKET, SUB TANK	1	1						
40	1	129132-44901	COOLER ASSY, OIL	1	1						
41	1	129132-49010	PIPE, WATER	1	1						
42	1	129132-49020	PIPE, WATER	1	1						
43	1	23010-038000	CLAMP, 38	4	4						

Remarks
(\$) THESE PARTS ARE SOLD BY FIG.19,
REF.NO.1.

Fig.11. THERMOSTAT

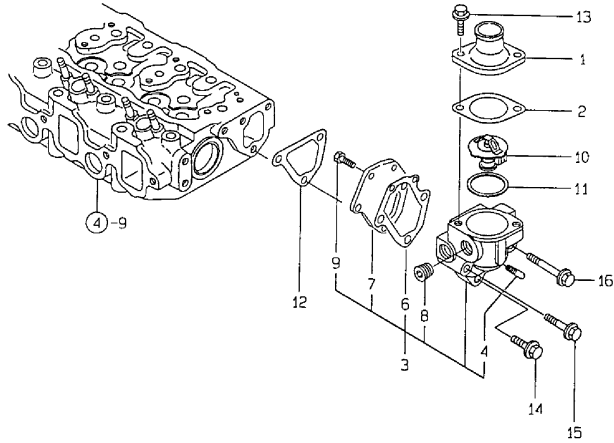
(A)=3TN84L-RTBB
(B)=3TN84L-RTBC
(C)=

(D)=
(E)=
(F)=

Y00D4400
3TN84L-RTBB/C

↑ ↑ サーマスタット
↑ ↑ THERMOSTAT

D29100-49210



No.	Lev.	Parts No.	Description	Q'ty						I	R
				(A)	(B)	(C)	(D)	(E)	(F)		
1	1	129350-49530	COVER, THERMOSTAT	1	1						
2	1	129795-49551	GASKET	1	1						\$
3	1	129100-49800	CASE ASSY,THERMOSTAT	1	1						
4	2	124770-11770	JOINT, PIPE PT1/8	1	1						
6	2	129100-49820	GASKET	1	1						
7	2	129100-49830	COVER, THERMOSTAT	1	1						
8	2	23871-030000	PLUG, R03	1	1						
9	2	26116-060162	BOLT, M6X 16 PLATED	2	2						
10	1	129155-49800	THERMOSTAT, 71	1	1						
11	1	129150-49811	GASKET, THERMOSTAT	1	1						\$
12	1	129100-49840	GASKET	1	1						\$
13	1	26106-080202	BOLT, M8X 20 PLATED	2	2						
14	1	26106-080252	BOLT, M8X 25 PLATED	1	1						
15	1	26106-080502	BOLT, M8X 50 PLATED	1	1						
16	1	26106-080602	BOLT, M8X 60 PLATED	1	1						

Remarks

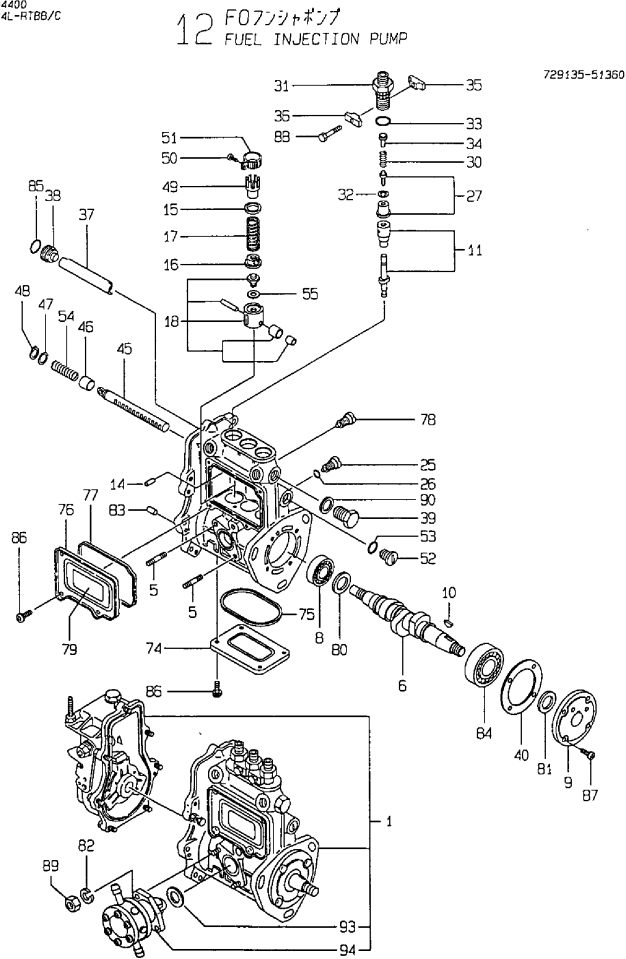
(\$) THESE PARTS ARE SOLD BY FIG.19,
REF.NO.1.

Fig.12. FUEL INJECTION PUMP

(A)=3TN84L-RTBB
(B)=3TN84L-RTBC
(C)=

(D)=
(E)=
(F)=

Y0004400
3TN84L-RTBB/C



No.	Lev.	Parts No.	Description	Q'ty						I	R
				(A)	(B)	(C)	(D)	(E)	(F)		
1	1	729135-51360	PUMP ASSY, INJECTION	1	1						1
5	2	129155-51020	STUD	2	2						
6	2	119810-51040	CAMSHAFT	1	1						
8	2	129155-51050	BEARING, 17BM001D	1	1						
9	2	129155-51060	SUPPORT, CAMSHAFT	1	1						
10	2	122710-51090	KEY	1	1						
11	2	129108-51100	PLUNGER ASSY	3	3						
14	2	129155-51140	PIN	3	3						
15	2	174307-51170	RETAINER, SPRING A	3	3						
16	2	129155-51180	RETAINER, SPRING	3	3						
17	2	124950-51190	SPRING, PLUNGER	3	3						
18	2	129155-51200	TAPPET ASSY	3	3						
25	2	129155-51270	STOPPER, TAPPET	3	3						
26	2	129155-51280	O-RING, S6	3	3						
27	2	128170-51300	VALVE ASSY, DELIVERY	3	3						
30	2	129155-51320	SPRING, DELIVERY	3	3						
31	2	129155-51340	RETAINER	3	3						
32	2	124550-51350	GASKET, DELIVERY	3	3						
33	2	124550-51370	O-RING	3	3						
34	2	129155-51370	STOPPER, VALVE	3	3						
35	2	129155-51380	STOPPER	2	2						
36	2	129155-51390	STOPPER	2	2						
37	2	129155-51400	DEFLECTOR	1	1						
38	2	129155-51410	BOLT	1	1						
39	2	129155-51420	PLUG, M16	1	1						
40	2	129155-51450	SHIM SET, ADJUSTING	1	1						
45	2	129155-51500	RACK, CONTROL	1	1						
46	2	129155-51521	BUSH, RACK	1	1						
47	2	129155-51530	SPACER	1	1						
48	2	129155-51540	CIRCLIP	1	1						
49	2	129155-51550	PINION, CONTROL	3	3						
50	2	122117-51560	SCREW	3	3						
51	2	174307-51560	PINION	3	3						
52	2	129155-51570	PLUG, M12	1	1						
53	2	129155-51580	O-RING	1	1						
54	2	129155-51591	SPRING, RACK	1	1						
55	2	129155-51600	SHIM SET, ADJUSTING	3	3						
74	2	129155-51700	COVER	1	1						
75	2	129155-51710	GASKET	1	1						
76	2	129155-51750	COVER	1	1						
77	2	129155-51760	GASKET	1	1						
78	2	129155-51790	STOOPER, RACK	1	1						
79	2	129156-51910	LABEL, CAUTION	1	1						
80	2	129155-51930	SPACER, T=3.25	1	1						
81	2	129155-51940	SPACER, T=1.5	1	1						
82	2	22217-060000	WASHER, SPRING 6	2	2						
83	2	22351-050010	PIN, SPRING 5.0X10	2	2						
84	2	24101-063034	BEARING, BALL 6303	1	1						
85	2	24341-000160	O-RING, 1AS16.0	1	1						
86	2	26022-050102	SCREW, M5X10	8	8						
87	2	26022-060162	SCREW, M6X16	4	4						

Remarks

(1) GOVERNOR ASSY(FIG.NO.13) IS INCORPORATED IN THIS FOP.CMP (REF.NO.1).

Fig.12. FUEL INJECTION PUMP

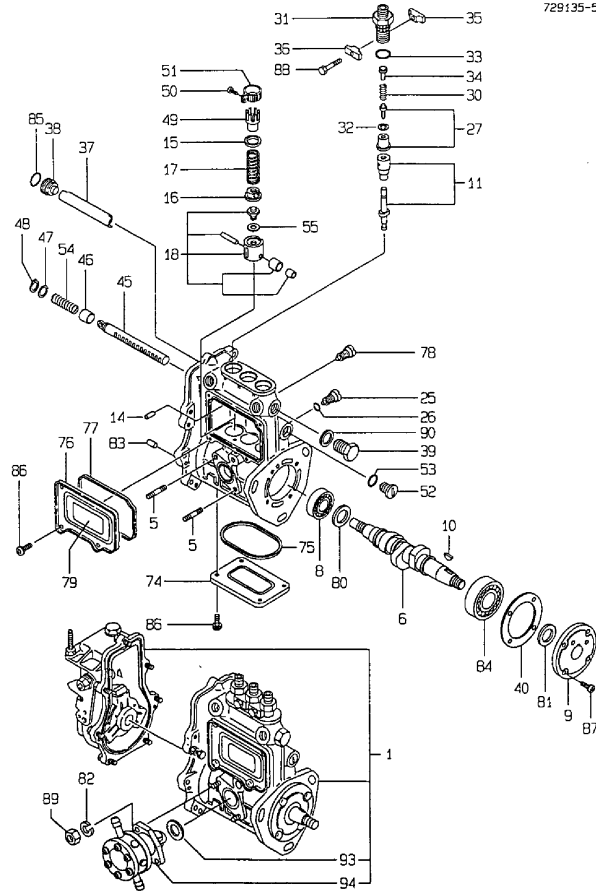
(A)=3TN84L-RTBB
(B)=3TN84L-RTBC
(C)=

(D)=
(E)=
(F)=

Y0004400
3TN84L-RTBB/C

12 F07フンシャポンプ
FUEL INJECTION PUMP

729135-51360



No.	Lev.	Parts No.	Description	Q'ty						I	R
				(A)	(B)	(C)	(D)	(E)	(F)		
88	2	26116-050302	BOLT, M5X 30 PLATED	2	2						
89	2	26716-060002	NUT, M6	2	2						
90	2	43400-500490	SEAL WASHER 16	1	1						
93	2	129155-52050	GASKET	1	1						
94	2	129100-52100	PUMP ASSY, FUEL FEED	1	1						

Remarks

(1) GOVERNOR ASSY(FIG.NO.13) IS
INCORPORATED IN THIS FOP.CMP
(REF.NO.1).

Fig.13. GOVERNOR

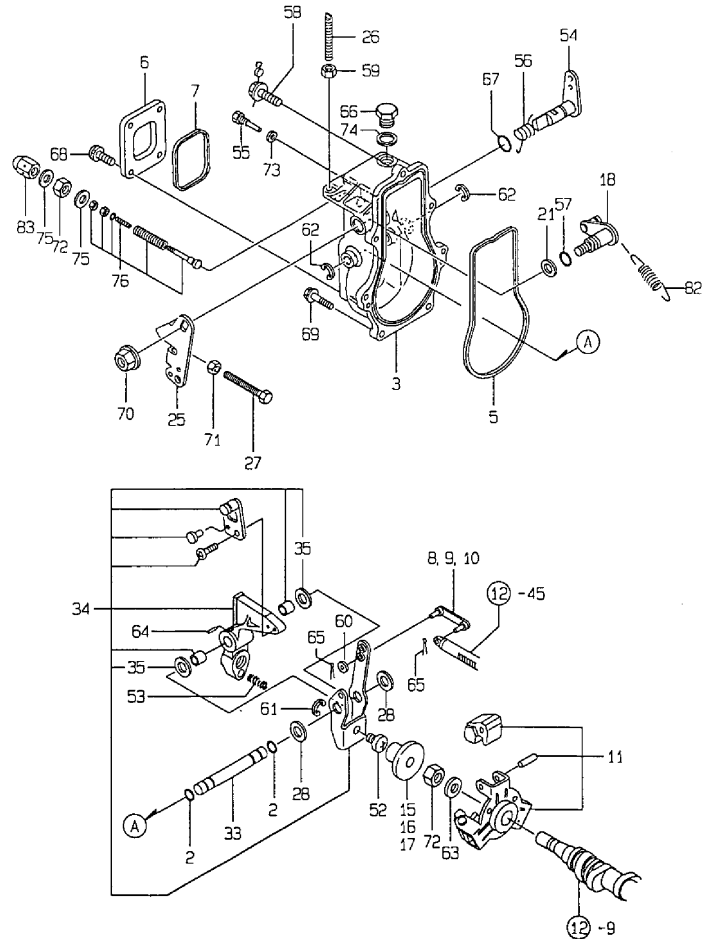
(A)=3TN84L-RTBB
(B)=3TN84L-RTBC
(C)=

(D)=
(E)=
(F)=

Y00D4400
3TN84L-RTBB/C

13 加バ
GOVERNOR

729135-51350



No.	Lev.	Parts No.	Description	Q'ty						I	R
				(A)	(B)	(C)	(D)	(E)	(F)		
2	2	129155-51280	O-RING, S6	2	2						
3	2	129155-61011	CASE, GOVERNOR	1	1						
5	2	129155-61050	GASKET	1	1						
6	2	129155-61060	COVER, GOVERNOR CASE	1	1						
7	2	129155-61070	GASKET	1	1						
8	2	129155-61120	LINK, L=30 MARK 0	1	1						
9	2	129155-61130	LINK, L=31 MARK 1	1	1						
10	2	129155-61140	LINK, L=30.5 MARK 05	1	1						
11	2	129155-61201	WEIGHT ASSY,GOVERNOR	1	1						
15	2	129155-61341	SLEEVE	1	1						
16	2	129155-61350	SLEEVE, L=24.9	1	1						
17	2	129155-61360	SLEEVE, L=25.2	1	1						
18	2	129100-61400	SHAFT ASSY	1	1						
21	2	129155-61430	SPACER	1	1						
25	2	129100-61440	LEVER, CONTROL	1	1						
26	2	129155-61450	BOLT, LIMITER	1	1						
27	2	129155-61460	BOLT, IDLE	1	1						
28	2	129155-61480	SPACER ASSY	2	2						
33	2	129155-61490	SHAFT	1	1						
34	2	129500-61500	LEVER ASSY, GOVERNOR	1	1						
35	3	174307-51700	SHIM SET	2	2						
52	2	129155-61540	SHIFTER	1	1						
53	2	129100-61650	SPRING, CONTROLLER	1	1						
54	2	129255-61802	LEVER, STOP	1	1						
55	2	129155-61810	PIN	1	1						
56	2	129100-61821	SPRING, RETURN	1	1						
57	2	129155-61830	O-RING, S10	1	1						
58	2	129155-61950	BOLT	1	1						
59	2	124550-66370	NUT, M6	1	1						
60	2	22117-040000	WASHER, 4	1	1						
61	2	22272-000040	RING, E- 4	1	1						
62	2	22272-000060	RING, E- 6	2	2						
63	2	22287-120000	WASHER, 12	1	1						
64	2	22351-030016	PIN, SPRING 3.0X16	1	1						
65	2	22372-040000	PIN, SNAP 4	2	2						
66	2	23887-100002	PLUG, 10	1	1						
67	2	24311-240100	O-RING, 1AP10A	1	1						
68	2	26022-050102	SCREW, M5X10	4	4						
69	2	26106-060202	BOLT, M6X 20 PLATED	6	6						
70	2	26366-080002	NUT, M8	1	1						
71	2	26756-060002	NUT, LOCK M6	1	1						
72	2	26776-120002	NUT, LOCK M12	2	2						
73	2	43400-500390	SEAL WASHER 6	1	1						
74	2	43400-500430	SEAL WASHER 10	1	1						
75	2	43400-500450	SEAL WASHER 12	2	2						
76	1	129100-61450	LIMITER ASSY, FUEL	1	1						
82	1	171353-61710	SPRING, GOVERNOR	1	1						
83	1	26687-120002	NUT, CAP M12	1	1						

Fig.14. FUEL INJECTION VALVE

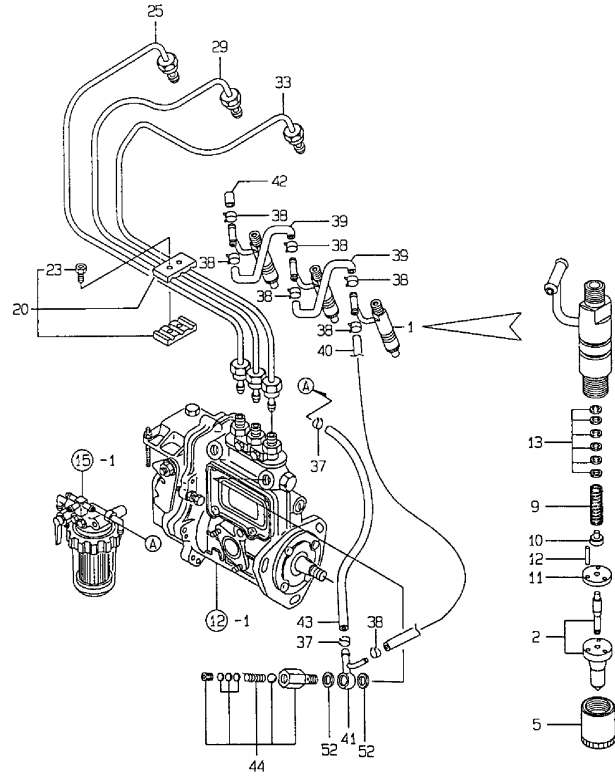
(A)=3TN84L-RTBB
(B)=3TN84L-RTBC
(C)=

(D)=
(E)=
(F)=

Y0004400
3TN84L-RTBB/C

14 F07フットベン
FUEL INJECTION VALVE

029503-53100
029100-59110
029100-59302



No.	Lev.	Parts No.	Description	Q'ty						I	R
				(A)	(B)	(C)	(D)	(E)	(F)		
1	1	729503-53100	VALVE ASSY,INJECTION	3	3						
2	2	129503-53000	VALVE ASSY,INJECTION	3	3						
5	2	114250-53080	NUT, NOZZLE D16.95	3	3						
9	2	114250-53120	SPRING, NOZZLE	3	3						
10	2	114250-53130	SEAT, SPRING	3	3						
11	2	114250-53140	PLATE	3	3						
12	2	114250-53210	PIN	6	6						
13	2	114250-53400	SHIM SET	3	3						
19-1	3	114250-53460	SHIM, T=0.15	1	1						
20	1	129150-59120	RETAINER, PIPE	1	1						
23	2	129150-59130	BOLT, M4X12	2	2						
25	1	129100-59910	PIPE ASSY, INJECTION	1	1						
29	1	129100-59920	PIPE ASSY, INJECTION	1	1						
33	1	129100-59930	PIPE ASSY, INJECTION	1	1						
37	1	124766-59050	CLIP, HOSE 12	2	2						
38	1	124066-59100	CLIP, HOSE 8	7	7						
39	1	121250-59550	PIPE, FUEL D8X120	2	2						
40	1	119840-59560	PIPE, FUEL RETURN	1	1						
41	1	119840-59570	JOINT	1	1						
42	1	129150-59580	CAP	1	1						
43	1	105025-59750	PIPE, FUEL	1	1						
44	1	129100-59951	VALVE ASSY, CHECK	1	1						
52	1	23414-120000	GASKET, 12X1.0	2	2						\$
74-1	1	124766-59050	CLIP, HOSE 12	2	2						

Remarks
(\$) THESE PARTS ARE SOLD BY FIG.19,
REF.NO.1.

Fig.15. FUEL PIPES

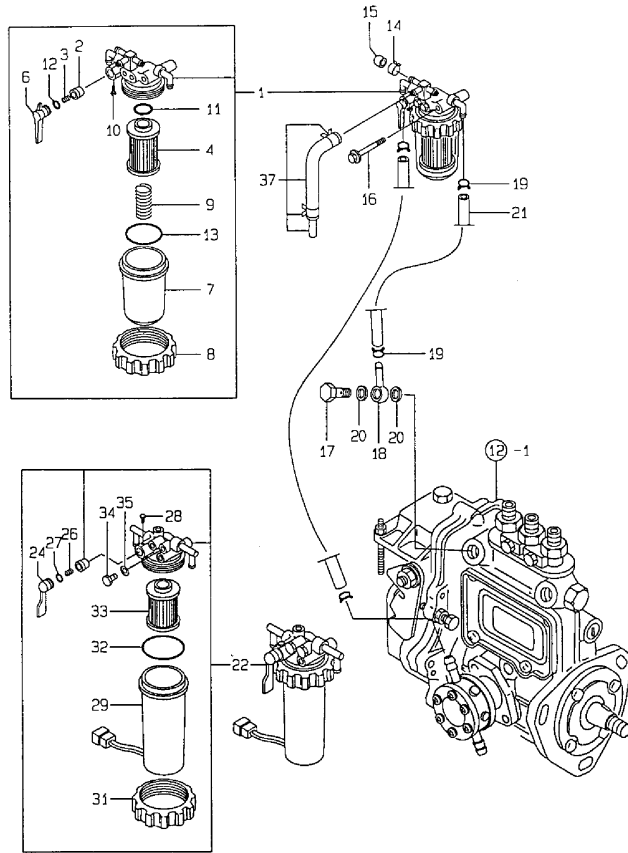
(A)=3TN84L-RTBB
(B)=3TN84L-RTBC
(C)=

(D)=
(E)=
(F)=

Y0004400
3TN84L-RTBB/C

15 F.O.フィルター
FUEL FILTER

D29100-55112
D29255-55210
D29132-93030



No.	Lev.	Parts No.	Description	Q'ty						I	R
				(A)	(B)	(C)	(D)	(E)	(F)		
1	1	129100-55621	FILTER ASSY, FUEL	1	1						
2	2	104200-55321	VALVE, TAPER	1	1						
3	2	104200-55330	SPRING, VALVE	1	1						
4	2	129100-55650	ELEMENT	1	1						
6	2	129100-55670	LEVER	1	1						
7	2	129100-55680	CUP, STRAINER	1	1						
8	2	129100-55690	RING, RETAINING	1	1						
9	2	129100-55700	SPRING	1	1						
10	2	104200-55750	SCREW, M4	1	1						
11	2	24311-000160	O-RING, 1AP16.0	1	1						
12	2	24311-240100	O-RING, 1AP10A	1	1						
13	2	24321-000650	O-RING, 1AG65.0	1	1						
14	1	124066-59100	CLIP, HOSE 8	1	1						
15	1	129150-59580	CAP	1	1						
16	1	26014-080702	BOLT, M8X 70	1	1						
17	1	103854-39140	BOLT, PIPE JOINT	1	1						
18	1	101304-59020	JOINT, PIPE 12	1	1						
19	1	124766-59050	CLIP, HOSE 12	2	2						
20	1	104200-59170	GASKET, 12	2	2						\$
21	1	129555-59510	PIPE, D13/7.5X180	1	1						
22	1	129137-55700	SEPARATOR ASSY,WATER	1	1						
24	2	104200-55341	HANDLE	1	1						
26	2	104200-55330	SPRING, VALVE	1	1						
27	2	24311-240100	O-RING, 1AP10A	1	1						
28	2	104200-55750	SCREW, M4	1	1						
29	2	129137-55710	CUP ASSY	1	1						
31	2	110250-55610	RING, RETAINING	1	1						
32	2	102103-55520	O-RING	1	1						
33	2	171081-55910	SCREEN	1	1						
34	2	101720-55750	PLUG, 6	2	2						
35	2	23418-060000	GASKET, 6X1.0	2	2						
37	1	119840-59601	BEND	1	1						
44-1	1	124766-59050	CLIP, HOSE 12	2	2						

Remarks

(\$) THESE PARTS ARE SOLD BY FIG.19,
REF.NO.1.

Fig.16. ENGINE STOP DEVICE

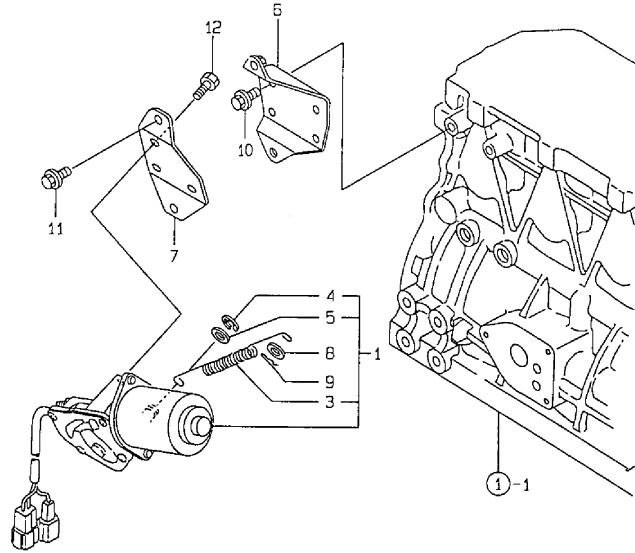
(A)=3TN84L-RTBB
(B)=3TN84L-RTBC
(C)=

(D)=
(E)=
(F)=

Y00D4400
3TN84L-RTBB/C

16 エンジンストップ
ENGINE STOP DEVICE

D29137-56500



No.	Lev.	Parts No.	Description	Q'ty						I	R
				(A)	(B)	(C)	(D)	(E)	(F)		
1	1	129136-66800	MOTOR ASSY, STOP	1	1						
3	2	129107-66830	SPRING, STOP MOTOR	1	1						
4	2	129566-66880	RING, SNAP	1	1						
5	2	129566-66890	WASHER	1	1						
6	1	129107-66810	BRACKET, STOP MOTOR	1	1						
7	1	129107-66820	BRACKET, STOP MOTOR	1	1						
8	1	22117-080000	WASHER, 8	1	1						
9	1	22360-080000	SNAP PIN 8	1	1						
10	1	26106-080122	BOLT, M8X 12 PLATED	2	2						
11	1	26106-080122	BOLT, M8X 12 PLATED	2	2						
12	1	26116-050102	BOLT, M5X 10 PLATED	3	3						

Fig.17. STARTING MOTOR

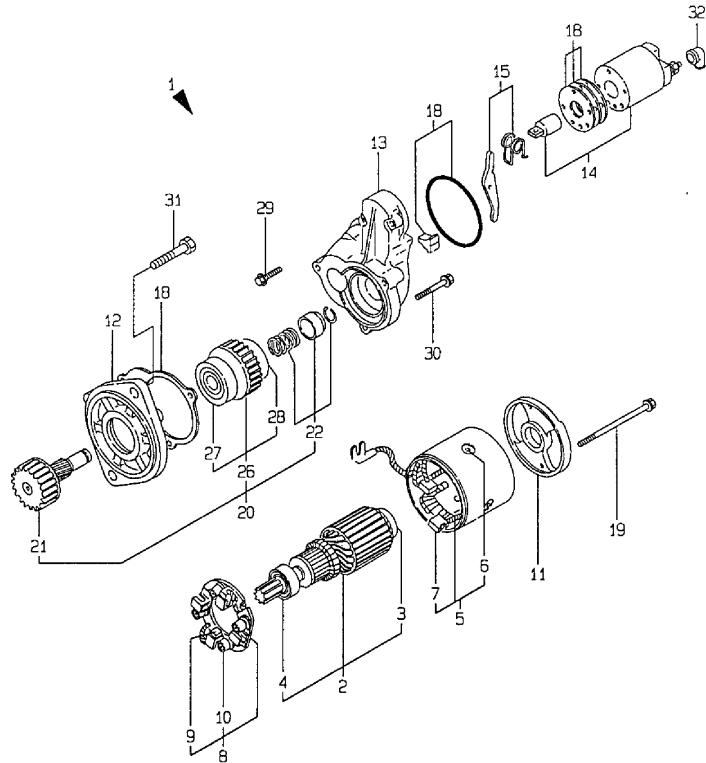
(A)=3TN84L-RTBB
(B)=3TN84L-RTBC
(C)=

(D)=
(E)=
(F)=

Y00D4400
3TN84L-RTBB/C

17 スターティングモータ
STARTING MOTOR

029400-77130
029132-93030



No.	Lev.	Parts No.	Description	Q'ty						I	R
				(A)	(B)	(C)	(D)	(E)	(F)		
1	1	129400-77011	STARTER, S13-94A	1	1						
2	2	129400-77400	ARMATURE ASSY	1	1						
3	3	171008-77410	BEARING(1)	1	1						
4	3	171008-77420	BEARING(2)	1	1						
5	2	129400-77440	COIL ASSY, FIELD	1	1						
6	3	171008-77450	SCREW	4	4						
7	3	129400-77460	BRUSH (+)	2	2						
8	2	129400-77470	HOLDER ASSY, BRUSH	1	1						
9	3	129400-77480	BRUSH (-)	2	2						
10	3	129400-77490	SPRING, BRUSH	4	4						
11	2	129400-77510	COVER, REAR	1	1						
12	2	171008-77510	HOUSING ASSY, GEAR	1	1						
13	2	129400-77520	HOUSING, CENTER	1	1						
14	2	129400-77530	SWITCH ASSY,MAGNETIC	1	1						
15	2	171008-77540	LEVER SET, SHIFT	1	1						
18	2	129400-77570	COVER KIT, DUST	1	1						
19	2	129400-77640	BOLT, THROUGH	2	2						
20	2	171008-77650	PINION ASSY	1	1						
21	3	171008-77660	SHAFT, PINION	1	1						
22	3	171008-77670	STOPPER SET, PINION	1	1						
26	3	171008-77720	CLUTCH ASSY	1	1						
27	4	171008-77730	BALL BEARING (3)	1	1						
28	4	171008-77740	BALL BEARING (4)	1	1						
29	2	26106-060322	BOLT, M6X 32 PLATED	2	2						
30	2	26106-060402	BOLT, M6X 40 PLATED	3	3						
31	1	26116-120252	BOLT, M12X 25 PLATED	2	2						
32	1	124550-77030	COVER, TERMINAL	1	1						

Fig.18. GENERATOR

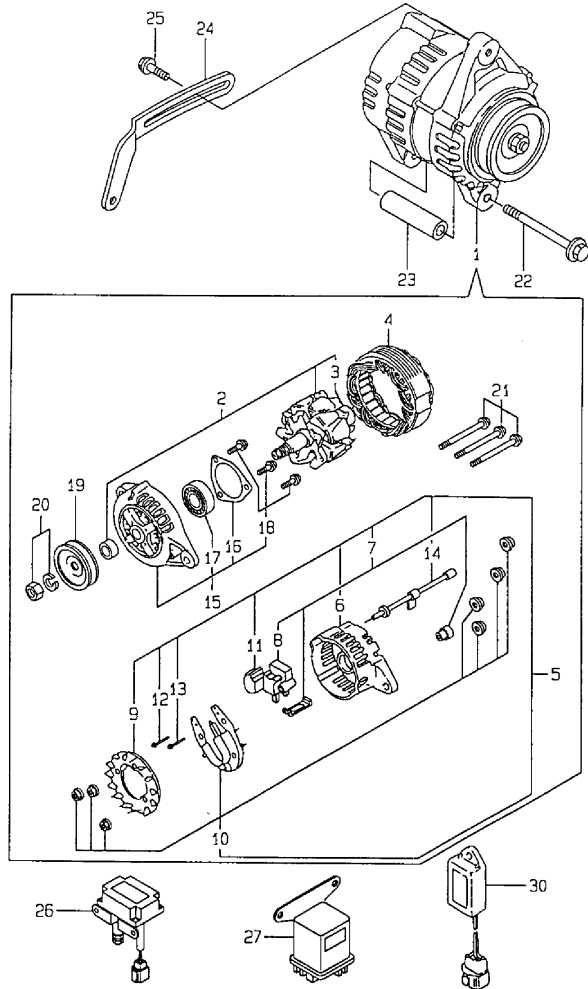
(A)=3TN84L-RTBB
(B)=3TN84L-RTBC
(C)=

(D)=
(E)=
(F)=

Y00D4400
3TN84L-RTBB/C

18 ジェネレータ
GENERATOR

019836-77200
029100-77310
029132-93030



No.	Lev.	Parts No.	Description	Q'ty						I	R
				(A)	(B)	(C)	(D)	(E)	(F)		
1	1	119836-77200	GENERATOR	1							
2	2	119836-77700	ROTOR ASSY	1							
3	3	119836-77850	BALL BEARING	1							
4	2	119836-77710	STARTER ASSY	1							
5	2	119836-77721	COVER ASSY, REAR	1							
6	3	119836-77730	COVER, REAR	1							
7	3	119836-77741	BRUSH ASSY,REGULATOR	1							
8	4	119836-77750	BRUSH ASSY	1							
9	3	119836-77760	GUIDE, FAN SIDE	1							
10	3	119836-77770	DIODE ASSY	1							
11	3	119836-77780	CONDENSER	1							
12	3	119836-77871	BOLT (1)	1							
13	3	119836-77880	BOLT (2)	1							
14	3	119836-77890	WIRE ASSY, LEAD	1							
15	2	119836-77790	COVER ASSY, FRONT	1							
16	3	119836-77800	RETAINER, BEARING	1							
17	3	119836-77840	BALL BEARING	1							
18	3	119836-77860	SCREW KID	1							
19	2	119836-77810	PULLEY	1							
20	2	119836-77820	NUT ASSY, PULLEY	1							
21	2	119836-77830	BOLT, THROUGH	1							
22	1	129136-77250	BOLT M 8X105	1							
23	1	119820-77340	PIECE, DISTANCE	1							
24	1	129100-77330	ADJUSTER	1	1						
25	1	26014-080252	BOLT, M8X 25	1	1						
26	1	129136-77100	RELAY, SAFETY	1	1						
27	1	119650-77910	RELAY ASSY, GLOW	1	1						
30	1	119869-77910	TIMER	1	1						

Fig.19. TOOLS & GASKET SET(OPTIONAL)

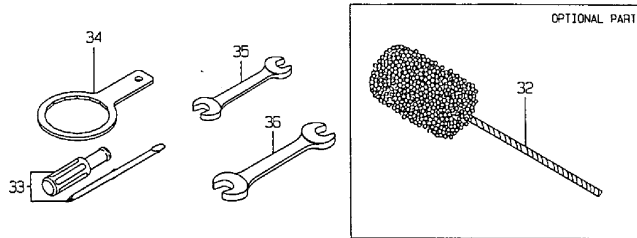
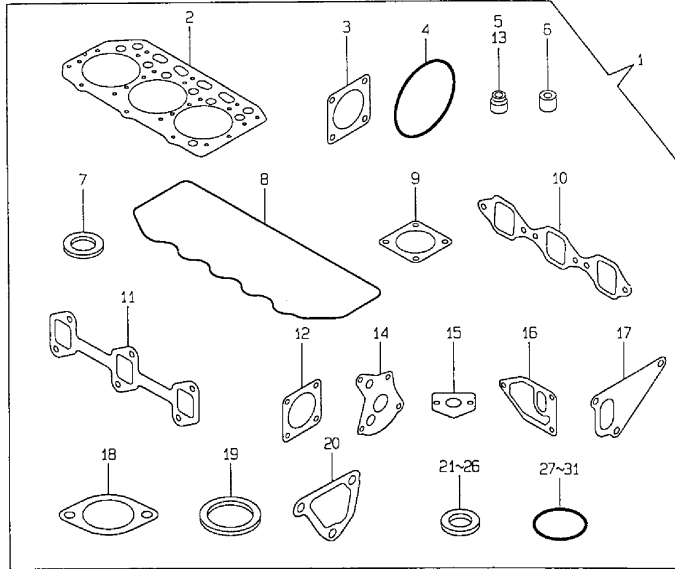
(A)=3TN84L-RTBB
(B)=3TN84L-RTBC
(C)=

(D)=
(E)=
(F)=

Y0004400
3TN84L-RTBB/C

19 パッキンセット (オプション) & コウグ
GASKET SET (OPTIONAL) & TOOL

D29132-93030



No.	Lev.	Parts No.	Description	Q'ty						I	R
				(A)	(B)	(C)	(D)	(E)	(F)		
1	1	729111-92620	GASKET SET	1	1						1
2	2	129157-01332	GASKET, HEAD	1	1						
3	2	124240-01883	GASKET	1	1						
4	2	121850-51960	O-RING	1	1						
5	2	124460-11340	SEAL, VALVE STEM	3	3						
6	2	119625-11870	PROTECTOR, NOZZLE	3	3						
7	2	119625-11880	SEAT, NOZZLE	3	3						
8	2	129150-11310	GASKET, BONNET	1	1						
9	2	129150-77511	GASKET	1	1						
10	2	129150-12111	GASKET, MANIFOLD	1	1						
11	2	129150-13110	GASKET	1	1						
12	2	124701-11911	GASKET, SILENCER	1	1						
13	2	121400-11340	SEAL, VALVE STEM	3	3						
14	2	129150-32020	GASKET, PUMP	1	1						
15	2	129150-35041	GASKET	1	1						
16	2	129120-35121	GASKET	1	1						
17	2	129100-42020	GASKET, WATER PUMP	1	1						
18	2	129795-49551	GASKET	1	1						
19	2	129150-49811	GASKET, THERMOSTAT	1	1						
20	2	129100-49840	GASKET	1	1						
21	2	104200-59170	GASKET, 12	2	2						
22	2	43400-500410	SEAL WASHER 8	5	5						
23	2	23414-100000	GASKET, 10X1.0	2	2						
24	2	23414-120000	GASKET, 12X1.0	2	2						
25	2	23414-080000	GASKET, 8X1.0	2	2						
26	2	124465-44950	GASKET, 16	1	1						
27	2	24311-000120	O-RING, 1AP12.0	3	3						
28	2	24311-000160	O-RING, 1AP16.0	3	3						
29	2	24311-000320	O-RING, 1AP32.0	2	2						
30	2	24341-000240	O-RING, 1AS24.0	1	1						
31	2	24341-000500	O-RING, 1AS50.0	1	1						
32	1	129400-92420	FLEX HORN	1	1						1
33	1	104200-92350	DRIVER, SCREW	1	1						
34	1	171301-92750	WRENCH, L.O. FILTER	1	1						
34-2	1	119640-92750	WRENCH, FILTER 80	1	1						
35	1	28110-100120	SPANNER, 10X12	1	1						
36	1	28110-140170	SPANNER, 14X17	1	1						

Remarks

(1) OPTIONAL PART.

Parts No. Index

Parts No.	Fig. No.	Ref. No.
101304-59020	15	18
101720-55750	15	34
102103-55520	15	32
103338-11190	4	27
103854-39140	15	17
104200-55321	15	2
104200-55330	15	3
		26
104200-55341	15	24
104200-55750	15	10
		28
104200-59170	15	20
	19	21
104200-92350	19	33
104207-44480	10	20
105025-59750	14	43
110250-55610	15	31
114250-53080	14	5
114250-53120	14	9
114250-53130	14	10
114250-53140	14	11
114250-53210	14	12
114250-53400	14	13
114250-53460	14	19 -1
119462-26010	2	31
119620-01750	3	3
119625-11870	4	45
	19	6
119625-11880	4	46
	19	7
119625-11900	4	47
119640-12580	5	11
119640-92750	19	34 -2
119650-77910	18	27
119810-51040	12	6
119820-77340	18	23
119836-77200	18	1
119836-77700	18	2
119836-77710	18	4
119836-77721	18	5
119836-77730	18	6
119836-77741	18	7
119836-77750	18	8
119836-77760	18	9
119836-77770	18	10
119836-77780	18	11
119836-77790	18	15
119836-77800	18	16
119836-77810	18	19
119836-77820	18	20

Parts No.	Fig. No.	Ref. No.
119836-77830	18	21
119836-77840	18	17
119836-77850	18	3
119836-77860	18	18
119836-77871	18	12
119836-77880	18	13
119836-77890	18	14
119840-12210	5	7
119840-59560	14	40
119840-59570	14	41
119840-59601	15	37
119865-21600	8	16
119865-42290	10	15
119869-44510	10	30
119869-77910	18	30
120130-11860	4	15
121023-01550	2	25
121100-22400	8	24
121111-21501	8	12
121120-12531	5	8 A
121120-12541	5	8 B
121120-12561	5	8 D
121120-12571	5	8 E
121120-12901	5	8 C
121120-13580	6	10
121250-44901	10	26
121250-59550	14	39
121256-44600	10	39
121262-12800	5	8 F
121400-11340	4	28
	19	13
121450-01560	2	2
121450-44531	10	33
121470-44581	10	35
121520-34810	9	14
121520-44740	10	17
121550-23200	8	30
121850-11860	4	18
121850-21680	8	11
121850-51960	2	13
	19	4
122117-51560	12	50
122710-51090	12	10
123682-44210	10	30 A
124066-59100	14	38
	15	14
124160-01751	2	8
	4	102
124160-01910	1	5
124160-11360	4	61

Parts No.	Fig. No.	Ref. No.
124160-39140	9	44
124160-39450	9	45
124240-01871	2	9
		28
124240-01882	2	29
124240-01883	2	10
	19	3
124250-49351	10	28
124450-44550	10	37
124450-44560	10	34
124460-11340	4	29
	19	5
124465-44950	10	27
	19	26
124550-51350	12	32
124550-51370	12	33
124550-59820	9	50
124550-66370	13	59
124550-77030	17	32
124574-44761	10	18
124701-11911	6	7
	19	12
124736-07900	4	7
124766-59050	14	37
		74 -1
	15	19
		44 -1
124770-11770	11	4
124950-51190	12	17
128170-51300	12	27
129100-01520	2	1
129100-01580	3	1
		17
	8	2
129100-01590	2	4
129100-01640	3	18
129100-01730	3	11
129100-01790	3	9
129100-11100	4	23
129100-11110	4	24
129100-11350	4	50
129100-23910	8	29
129100-25061	7	9
129100-42002	10	1
129100-42020	10	12
	19	17
129100-49050	10	24
129100-49800	11	3
129100-49820	11	6
129100-49830	11	7

Parts No.	Fig. No.	Ref. No.
129100-49840	11	12
	19	20
129100-52100	12	94
129100-55621	15	1
129100-55650	15	4
129100-55670	15	6
129100-55680	15	7
129100-55690	15	8
129100-55700	15	9
129100-59910	14	25
129100-59920	14	29
129100-59930	14	33
129100-59951	14	44
129100-61400	13	18
129100-61440	13	25
129100-61450	13	76
129100-61650	13	53
129100-61821	13	56
129100-77330	18	24
129103-49301	10	13
129105-22080	8	17
129105-22500	8	19
129107-66810	16	6
129107-66820	16	7
129107-66830	16	3
129108-51100	12	11
129111-13670	6	13
129111-13680	6	14
129120-33001	9	21
129120-33040	9	23
129120-33051	9	24
129120-33060	9	25
129120-35001	9	26
129120-35110	9	30
129120-35121	9	31
	19	16
129120-35300	9	33
129120-49030	10	21
129120-77501	5	4
129122-12100	5	1
129128-21590	8	13
129129-14580	7	3
129130-13650	6	11
129130-13660	6	12
129132-12240	5	23
129132-12250	5	24
129132-12521	5	8
129132-12561	5	10
129132-12581	5	9
129132-12800	5	12

Parts No. Index

Parts No.	Fig. No.	Ref. No.
129132-12810	5	15
129132-12860	5	14
129132-12890	5	17
129132-12900	5	18
129132-13500	6	8
129132-13550	6	9
129132-44590	10	38
129132-44901	10	40
129132-49010	10	41
129132-49020	10	42
129136-66800	16	1
129136-77100	18	26
129136-77250	18	22
129137-55700	15	22
129137-55710	15	29
129150-01200	1	22
129150-01580	2	3
129150-01881	7	18
129150-02020	1	11
129150-02450	7	4
129150-02800	1	14
129150-02870	1	24
129150-02930	1	17
129150-02940	1	27
129150-03020	4	52
129150-03070	4	53
129150-03080	4	54
129150-03100	2	12
129150-11230	4	41
129150-11280	4	36
129150-11290	4	37
129150-11310	4	57
	19	8
129150-11370	4	30
129150-11750	4	43
129150-11810	4	17
129150-12111	5	2
	19	10
129150-13110	6	2
	19	11
129150-14101	7	7
129150-14200	7	1
129150-14400	7	2
129150-21200	8	5
129150-22300	8	23
129150-23600	8	31
129150-23610	8	39
129150-25101	7	10
129150-25900	7	15
129150-25920	7	13

Parts No.	Fig. No.	Ref. No.
129150-26000	7	19
129150-26050	7	20
129150-32000	9	1
129150-32020	9	11
	19	14
129150-35041	9	15
	19	15
129150-35091	9	16
129150-35150	9	32
129150-35350	9	41
129150-39450	9	46
129150-49360	10	29
129150-49811	11	11
	19	19
129150-59120	14	20
129150-59130	14	23
129150-59580	14	42
	15	15
129150-77511	5	5
	19	9
129155-11241	4	33
129155-11260	4	34
129155-11270	4	35
129155-49800	11	10
129155-51020	12	5
129155-51050	12	8
129155-51060	12	9
129155-51140	12	14
129155-51180	12	16
129155-51200	12	18
129155-51270	12	25
129155-51280	12	26
	13	2
129155-51320	12	30
129155-51340	12	31
129155-51370	12	34
129155-51380	12	35
129155-51390	12	36
129155-51400	12	37
129155-51410	12	38
129155-51420	12	39
129155-51450	12	40
129155-51500	12	45
129155-51521	12	46
129155-51530	12	47
129155-51540	12	48
129155-51550	12	49
129155-51570	12	52
129155-51580	12	53
129155-51591	12	54

Parts No.	Fig. No.	Ref. No.
129155-51600	12	55
129155-51700	12	74
129155-51710	12	75
129155-51750	12	76
129155-51760	12	77
129155-51790	12	78
129155-51930	12	80
129155-51940	12	81
129155-52050	12	93
129155-61011	13	3
129155-61050	13	5
129155-61060	13	6
129155-61070	13	7
129155-61120	13	8
129155-61130	13	9
129155-61140	13	10
129155-61201	13	11
129155-61341	13	15
129155-61350	13	16
129155-61360	13	17
129155-61430	13	21
129155-61450	13	26
129155-61460	13	27
129155-61480	13	28
129155-61490	13	33
129155-61540	13	52
129155-61810	13	55
129155-61830	13	57
129155-61950	13	58
129156-51910	12	79
129157-01332	1	23
	19	2
129255-61802	13	54
129350-49530	11	1
129400-77011	17	1
129400-77400	17	2
129400-77440	17	5
129400-77460	17	7
129400-77470	17	8
129400-77480	17	9
129400-77490	17	10
129400-77510	17	11
129400-77520	17	13
129400-77530	17	14
129400-77570	17	18
129400-77640	17	19
129400-92420	19	32
129403-49050	10	22
129500-61500	13	34
129503-53000	14	2

Parts No.	Fig. No.	Ref. No.
129555-59510	15	21
129556-42350	10	16
129566-66880	16	4
129566-66890	16	5
129795-01780	3	20
129795-01800	2	7
129795-01950	2	11
129795-02411	1	20
129795-11120	4	25
129795-11180	4	26
129795-21661	8	10
129795-49551	11	2
	19	18
171008-77410	17	3
171008-77420	17	4
171008-77450	17	6
171008-77510	17	12
171008-77540	17	15
171008-77650	17	20
171008-77660	17	21
171008-77670	17	22
171008-77720	17	26
171008-77730	17	27
171008-77740	17	28
171051-01921	1	6
171064-44510	10	31
171081-55910	15	33
171301-01600	3	2
171301-01640	3	7
171301-92750	19	34
171340-21650	8	9
171350-13100	6	1
171353-61710	13	82
171420-34800	9	13
174307-51170	12	15
174307-51560	12	51
174307-51700	13	35
194990-22050	2	30
	6	3
22117-040000	13	60
22117-080000	16	8
22217-060000	12	82
22217-120000	7	16
22272-000040	13	61
22272-000060	13	62
22287-120000	13	63
22351-030016	13	64
22351-040010	8	8
22351-050010	12	83
22351-060012	4	31

Parts No. Index

Parts No.	Fig. No.	Ref. No.
22360-080000	16	9
22372-040000	13	65
22512-070140	7	8
	8	6
23000-016000	10	25
23000-022000	10	23
23000-060000	5	19
		25
23010-038000	10	43
23065-070225	10	36
23065-160800	4	1
23414-080000	9	51
	19	25
23414-100000	9	28
		52
	19	23
23414-120000	14	52
	19	24
23418-060000	15	35
23871-010000	1	7
23871-030000	4	19
	10	11
	11	8
23881-100002	9	29
23887-100002	13	66
24101-060064	7	22
24101-063034	12	84
24311-000120	4	62
	19	27
24311-000160	2	14
	9	42
	15	11
	19	28
24311-000320	2	15
	4	103
	19	29
24311-240100	13	67
	15	12
		27
24321-000650	15	13
24341-000160	12	85
24341-000240	2	26
	3	10
	19	30
24341-000500	4	59
	19	31
26014-060302	10	19
26014-080252	18	25
26014-080702	15	16
26022-050102	12	86

Parts No.	Fig. No.	Ref. No.
26022-050102	13	68
26022-060162	12	87
26106-060122	2	27
26106-060142	5	20
26106-060202	13	69
26106-060322	17	29
26106-060402	17	30
26106-080122	2	16
	16	10
		11
26106-080142	4	8
	5	21
26106-080162	1	21
	2	17
		18
		32
	3	13
	4	60
26106-080202	11	13
26106-080252	3	14
	4	48
	5	3
		22
	9	43
	11	14
26106-080302	3	21
26106-080352	3	22
	5	6
	9	20
26106-080452	2	19
	3	15
		33 -1
	7	14
26106-080502	3	16
		34 -1
	4	49
	11	15
26106-080552	2	20
26106-080602	10	14
	11	16
26106-080802	6	4
26106-080852	2	21
26106-080952	2	33
26116-050102	16	12
26116-050302	12	88
26116-060162	11	9
26116-120252	17	31
26206-100252	3	4
26206-100302	3	5
26216-060202	4	20

Parts No.	Fig. No.	Ref. No.
26216-080222	6	5
26216-080402	2	34
26216-080802	6	6
26226-080182	4	44
26366-060002	4	32
26366-080002	2	22
	13	70
26450-060252	9	12
26687-120002	13	83
26716-060002	12	89
26716-120002	7	17
26756-060002	13	71
26776-120002	13	72
27231-500000	1	8
27241-120000	1	9
27241-220000	4	21
27241-300000	1	10
27241-400000	4	22
28110-100120	19	35
28110-140170	19	36
43400-500390	13	73
43400-500410	2	23
		24
	19	22
43400-500430	13	74
43400-500450	13	75
43400-500490	12	90
729102-01540	3	6
729102-11700	4	9
729102-21700	8	1
729105-22900	8	33
729111-92620	19	1
729135-51360	12	1
729157-01560	1	1
729157-22951	8	35
729402-11650	4	40
729402-23100	8	25
729503-53100	14	1

Parts No.	Fig. No.	Ref. No.
-----------	----------	----------