

OCD10-M43900EN

# P R E F A C E

This parts catalog is the 1st edition of 3TNC78L-RTBA for KOBELCO CONSTRUCTION MACHINERY CO., LTD.

Published : September, 2015

# Contents

OCD10-M43900

Fig. No.	Fig. Name	Fig. No.	Fig. Name
ENGINE 3TNC78L-RTBA			
1.	CYLINDER BLOCK		
2.	GEAR HOUSING		
3.	FLYWHEEL HOUSING & OIL SUMP		
4.	CYLINDER HEAD & BONNET		
5.	SUCTION MANIFOLD & AIR CLEANER		
6.	EXHAUST MANIFOLD & SILENCER		
7.	CAMSHAFT & DRIVING GEAR		
8.	CRANKSHAFT & PISTON		
9.	HYDRAULIC PUMP		
10.	LUB. OIL SYSTEM		
11.	COOLING WATER SYSTEM		
12.	FUEL INJECTION PUMP		
13.	GOVERNOR		
14.	FUEL INJECTION VALVE		
15.	FUEL FILTER		
16.	ENGINE STOP DEVICE		
17.	STARTER MOTOR		
18.	GENERATOR		
19.	TOOL & GASKET SET(OPTIONAL)		

Fig.1. CYLINDER BLOCK

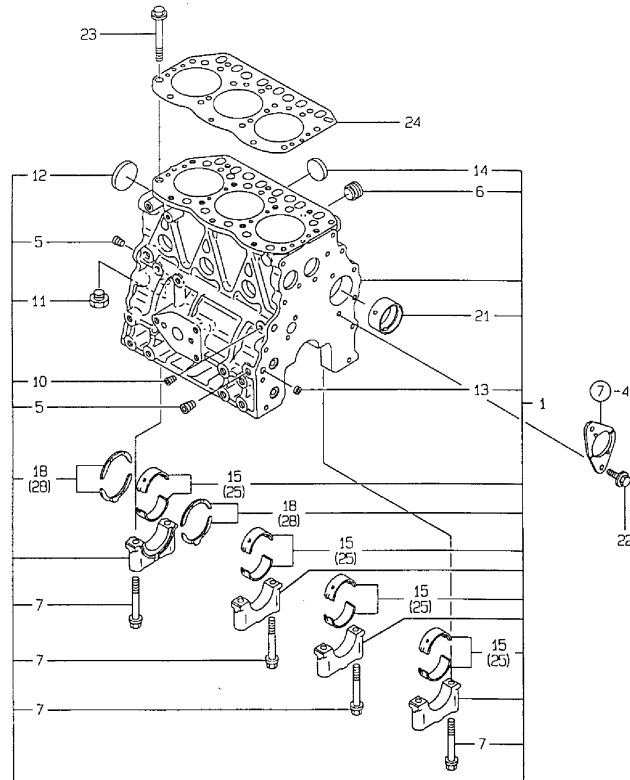
(A)=3TNC78L-RTBA  
(B)=  
(C)=

(D)=  
(E)=  
(F)=

Y0004390  
3TNC78L-RTBA

↑ シリンダブロック  
↑ CYLINDER BLOCK

019811-01100  
019865-02100  
029129-02200



No.	Lev.	Parts No.	Description	Q'ty						I	R
				(A)	(B)	(C)	(D)	(E)	(F)		
1	1	719811-01560	BLOCK ASSY, CYLINDER	1							
5	2	124160-01910	PLUG, PT1/4	2							
6	2	171051-01921	PLUG, NPTF1	1							
7	2	119620-02020	BOLT, METAL CAP	8							
10	2	23871-010000	PLUG, R01	1							
11	2	23887-120002	PLUG, 12	1							
12	2	27231-500000	PLUG 50	1							
13	2	27241-120000	PLUG, 12	2							
14	2	27241-300000	PLUG 30	6							
15	2	719810-02800	BEARING, MAIN	4							
18	2	719810-02930	BEARING, THRUST	2							
21	2	129795-02411	BUSH, CAMSHAFT	1							
22	1	26106-080162	BOLT, M8X 16 PLATED	2							
23	1	119810-01200	BOLT, CYLINDER HEAD	14							
24	1	119811-01330	GASKET, HEAD T=1.4	1							\$
25	1	119810-02870	BEARING ASSY, MAIN	4							1
28	1	119810-02940	BEARING, THRUST 0.25	2							2

Remarks

- (1) Under-sized (U.S.=0.25) parts.
- (2) Over-sized (O.S.=0.25) parts.
- (\$) These parts are sold as a set with Fig.19 No.1.

Fig.2. GEAR HOUSING

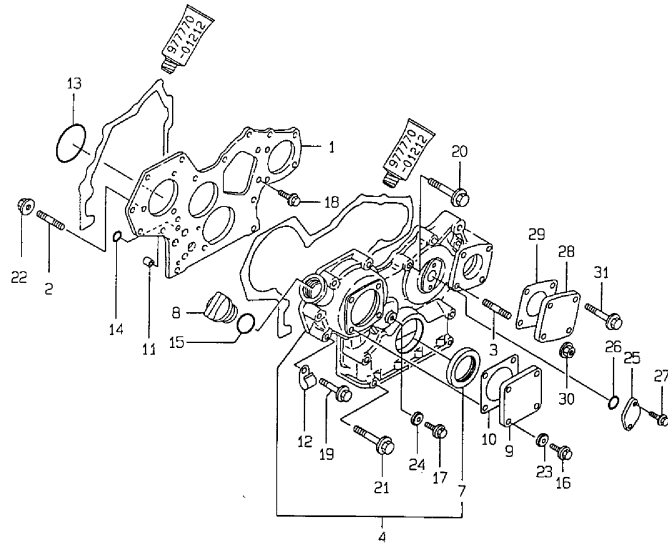
(A)=3TNC78L-RTBA  
(B)=  
(C)=

(D)=  
(E)=  
(F)=

Y0004390  
3TNC78L-RTBA

2 ギヤケース  
GEAR HOUSING

D29489-01220  
D29100-01810  
D29150-01810



No.	Lev.	Parts No.	Description	Q'ty						I	R
				(A)	(B)	(C)	(D)	(E)	(F)		
1	1	129100-01520	FLANGE, GEAR CASE	1							
2	1	121450-01560	BOLT, STUD M8X22	3							
3	1	129150-01580	BOLT, STUD M8X30	1							
4	1	129100-01590	CASE ASSY, GEAR	1							
7	2	129795-01800	SEAL, OIL	1							
8	1	124160-01751	CAP, FILLER	1							
9	1	124240-01871	COVER, PUMP	1							
10	1	124240-01883	GASKET	1							\$
11	1	129795-01950	PIPE, DOWEL L=18	2							
12	1	129150-03100	RETAINER, PIPE	1							
13	1	121850-51960	O-RING	1							\$
14	1	24311-000160	O-RING, 1AP16.0	2							\$
15	1	24311-000320	O-RING, 1AP32.0	1							\$
16	1	26106-080122	BOLT, M8X 12 PLATED	4							
17	1	26106-080162	BOLT, M8X 16 PLATED	1							
18	1	26106-080162	BOLT, M8X 16 PLATED	3							
19	1	26106-080452	BOLT, M8X 45 PLATED	6							
20	1	26106-080552	BOLT, M8X 55 PLATED	3							
21	1	26106-080852	BOLT, M8X 85 PLATED	4							
22	1	26366-080002	NUT, M8	3							
23	1	43400-500410	SEAL WASHER 8S	4							
24	1	43400-500410	SEAL WASHER 8S	1							
25	1	121023-01550	COVER	1							
26	1	24341-000240	O-RING, 1AS24.0	1							\$
27	1	26106-060122	BOLT, M6X 12 PLATED	2							
28	1	124240-01871	COVER, PUMP	1							
29	1	124240-01883	GASKET	1							\$
30	1	194990-22050	NUT, M8	1							
31	1	26106-080302	BOLT, M8X 30 PLATED	3							

Remarks

(\$)These parts are sold as a set with Fig.19 No.1.

N:Old  $\begin{matrix} \text{Yes} \\ \text{No} \end{matrix}$  New, Q:Old  $\begin{matrix} \text{No} \\ \text{Yes} \end{matrix}$  New, R:Old  $\begin{matrix} \text{Yes} \\ \text{No} \end{matrix}$  New, S:Old  $\begin{matrix} \text{No} \\ \text{Yes} \end{matrix}$  New, W:Add, Z:Discontinued, F:Interchangeable by set, K:Q'ty Change

Fig.3. FLYWHEEL HOUSING & OIL SUMP

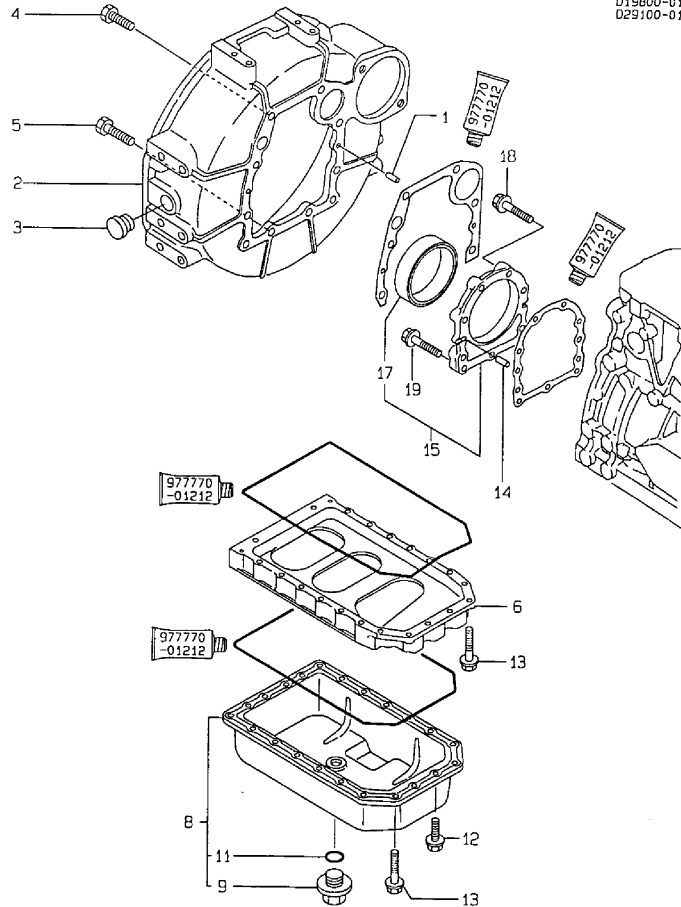
(A)=3TNC78L-RTBA  
(B)=  
(C)=

(D)=  
(E)=  
(F)=

Y00D4390  
3TNC78L-RTBA

3 フライホイールハウジング & オイルパン  
FLYWHEEL HOUSING & LUB.OIL SUMP

D19B10-01400  
D19B00-01500  
D29100-01310



No.	Lev.	Parts No.	Description	Q'ty						I	R
				(A)	(B)	(C)	(D)	(E)	(F)		
1	1	129100-01580	PIN, PARALLEL 8X16	2							
2	1	171301-01600	HOUSING, FLYWHEEL	1							
3	1	119620-01750	CAP	1							
4	1	26206-100252	BOLT, M10X 25 PLATED	6							
5	1	26206-100302	BOLT, M10X 30 PLATED	4							
6	1	119810-01730	SPACER, OIL-PAN	1							
8	1	119810-01790	OIL PAN ASSY	1							
9	2	171301-01640	PLUG, M22	1							
11	2	24341-000240	O-RING, 1AS24.0	1							
12	1	26106-080162	BOLT, M8X 16 PLATED	6							
13	1	26106-080452	BOLT, M8X 45 PLATED	22							
14	1	129100-01580	PIN, PARALLEL 8X16	2							
15	1	719810-01650	CASE ASSY, OIL SEAL	1							
17	2	119810-01780	SEAL, 76X93X10	1							
18	1	26106-080302	BOLT, M8X 30 PLATED	6							
19	1	26106-080352	BOLT, M8X 35 PLATED	3							

Fig.4. CYLINDER HEAD & BONNET

(A)=3TNC78L-RTBA

(B)=

(C)=

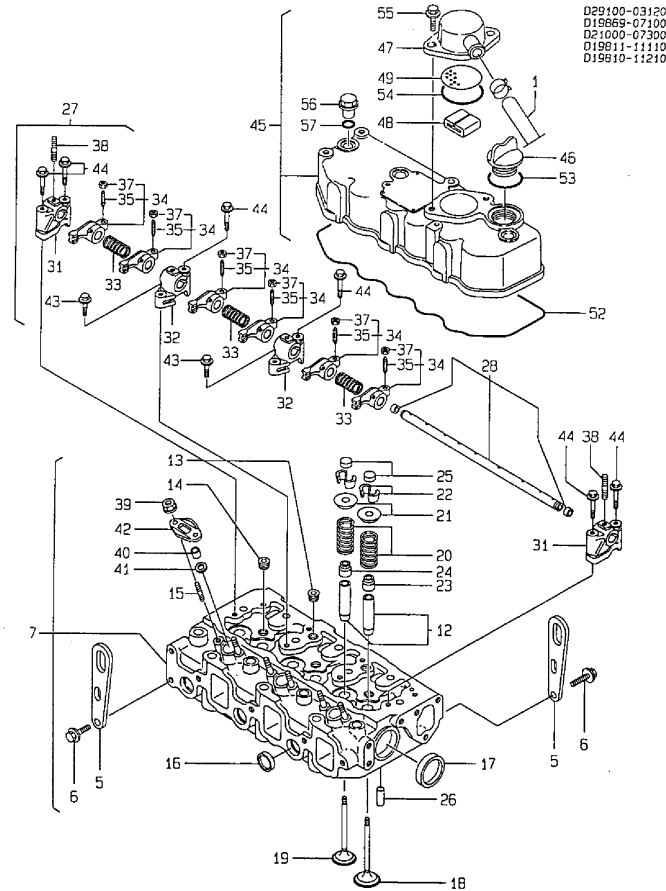
(D)=

(E)=

(F)=

Y0004390  
3TNC78L-RTBA

4 シリンダヘッド & ボンネット  
CYLINDER HEAD & BONNET



No.	Lev.	Parts No.	Description	Q'ty						I	R
				(A)	(B)	(C)	(D)	(E)	(F)		
1	1	129150-03090	HOSE, ID16X2T	1							
5	1	124736-07900	LIFTER, ENGINE	2							
6	1	26106-080142	BOLT, M8X 14 PLATED	4							
7	1	719811-11700	HEAD ASSY, CYLINDER	1							
12	2	124060-11800	GUIDE, INTAKE VALVE	6							1
13	2	121850-11860	PLUG, PT1/4	2							
14	2	23871-030000	PLUG, R03	3							
15	2	26216-060302	STUD, M6X 30	6							
16	2	27241-220000	PLUG, 22	3							
17	2	27241-400000	PLUG, 40	2							
18	2	119810-11100	VALVE, INTAKE	3							
19	2	119810-11110	VALVE, EXHAUST	3							
20	2	119810-11120	SPRING, VALVE	6							
21	2	104211-11180	RETAINER, SPRING	6							
22	2	101158-11190	COTTER	6							
22-1	2	27310-070001	COTTER, 7	6							N
(A=EXXXXX)											
23	2	124160-11340	SEAL, VALVE STEM	3							\$
24	2	124950-11340	SEAL, VALVE STEM	3							\$
25	2	104211-11370	CAP, VALVE	6							
26	2	22351-060012	PIN, SPRING 6.0X12	2							
27	1	119865-11200	SUPPORT ASSY, ARM	1							
28	2	119810-11240	SHAFT ASSY, ROCKER	1							
31	2	129155-11260	SUPPORT, ROCKER ARM	2							
32	2	129155-11270	SUPPORT, ROCKER ARM	2							
33	2	129150-11280	SPRING, ROCKER	3							
34	2	719810-11650	ARM ASSY, ROCKER	6							
35	3	129150-11230	SCREW, VALVE ADJUST	6							
37	3	129150-11750	NUT, M8	6							
38	2	26226-080182	STUD, M8X 18	3							
39	2	26366-060002	NUT, M6	6							
40	1	119625-11870	PROTECTOR, NOZZLE	3							\$
41	1	119625-11880	SEAT, NOZZLE	3							\$
42	1	119625-11900	RETAINER, NOZZLE	3							
43	1	26106-080252	BOLT, M8X 25 PLATED	2							
44	1	26106-080502	BOLT, M8X 50 PLATED	6							
45	1	119810-11350	BONNET ASSY, HEAD	1							
46	2	124160-01751	CAP, FILLER	1							
47	2	129150-03020	COVER, BREATHER	1							
48	2	129150-03070	BAFFLE, BREATHER	1							
49	2	129150-03080	PLATE, BAFFLE	1							
52	2	119865-11310	GASKET, BONNET	1							\$
53	2	24311-000320	O-RING, 1AP32.0	1							
54	2	24341-000500	O-RING, 1AS50.0	1							\$
55	2	26106-080162	BOLT, M8X 16 PLATED	2							
56	1	124160-11360	KNOB	3							
57	1	24311-000120	O-RING, 1AP12.0	3							\$

Remarks

(1)Repair parts.

(\$)These parts are sold as a set with Fig.19 No.1.

N:Old  $\frac{Yes}{No}$  New, Q:Old  $\frac{No}{Yes}$  New, R:Old  $\frac{Yes}{Yes}$  New, S:Old  $\frac{No}{No}$  New, W:Add, Z:Discontinued, F:Interchangeable by set, K:Q'ty Change

Fig.5. SUCTION MANIFOLD & AIR CLEANER

(A)=3TNC78L-RTBA

(B)=

(C)=

(D)=

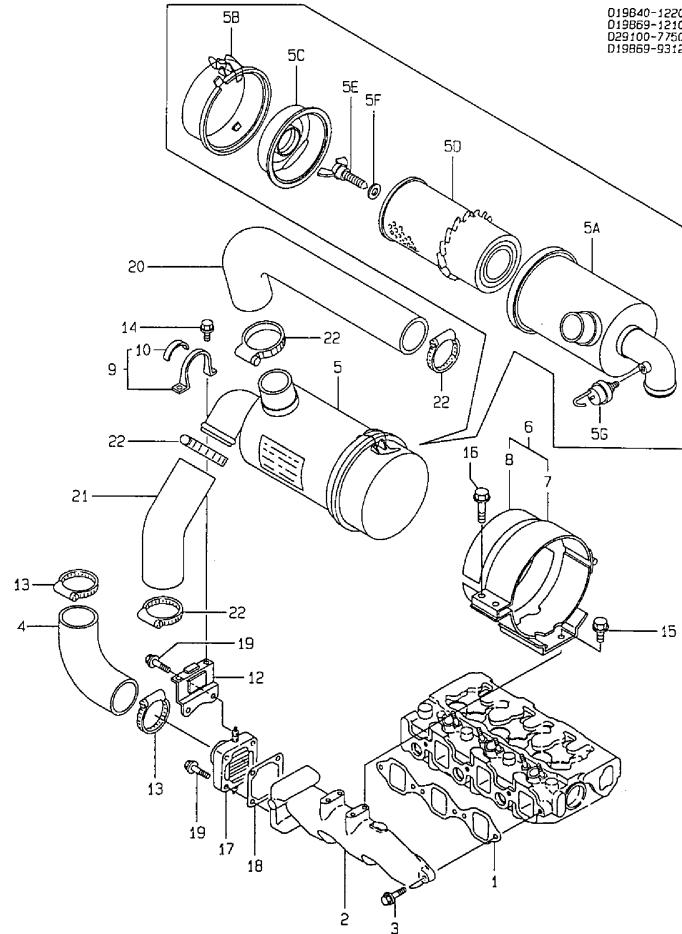
(E)=

(F)=

Y0004390  
3TNC78L-RTBA

5 キュウキマニホールド & エアクリーナ  
SUCTION MANIFOLD & AIR CLEANER

019840-12200  
019869-12100  
029100-77501  
019869-93120



No.	Lev.	Parts No.	Description	Q'ty						I	R
				(A)	(B)	(C)	(D)	(E)	(F)		
1	1	119810-12111	GASKET, MANIFOLD	1							\$
2	1	171301-12701	MANIFOLD, AIR INTAKE	1							
3	1	26106-080252	BOLT, M8X 25 PLATED	4							
4	1	119840-12210	PIPE, AIR INTAKE	1							
5	1	119869-12510	CLEANER ASSY, AIR	1							
5A	2	119840-12650	CASE ASSY	1							
5B	2	129350-12660	PAN ASSY, DUST	1							
5C	2	121120-12541	RETAINER, ELEMENT	1							
5D	2	129350-12900	ELEMENT	1							
5E	2	121120-12561	BOLT	1							
5F	2	121120-12571	WASHER, SEAL	1							
5G	2	121262-12800	INDICATOR	1							
6	1	129132-12581	SUPPORT ASSY,CLEANER	1							
7	2	129132-12561	SUPPORT, AIR CLEANER	1							
8	2	119640-12580	SEAT, RUBBER	2							
9	1	129132-12800	BAND, AIR CLEANER	1							
10	2	129132-12850	CLAMP	1							
12	1	119836-12810	SUPPORT, AIR CLEANER	1							
13	1	23000-060000	CLAMP, 60	2							
14	1	26106-060142	BOLT, M6X 14 PLATED	2							
15	1	26106-080142	BOLT, M8X 14 PLATED	4							
16	1	26106-080252	BOLT, M8X 25 PLATED	2							
17	1	129120-77501	HEATER, AIR	1							
18	1	129150-77511	GASKET, AIR HEATER	1							\$
19	1	26106-080352	BOLT, M8X 35 PLATED	4							
20	1	119869-12210	PIPE, AIR INTAKE	1							
21	1	119869-12220	PIPE, AIR INTAKE	1							
22	1	23000-060000	CLAMP, 60	4							

Remarks

(\$)These parts are sold as a set with Fig.19 No.1.

N:Old  $\xrightarrow{\text{Yes}}$  New, Q:Old  $\xrightarrow{\text{No}}$  New, R:Old  $\xrightarrow{\text{Yes}}$  New, S:Old  $\xrightarrow{\text{No}}$  New, W:Add, Z:Discontinued, F:Interchangeable by set, K:Q'ty Change



Fig.6. EXHAUST MANIFOLD & SILENCER

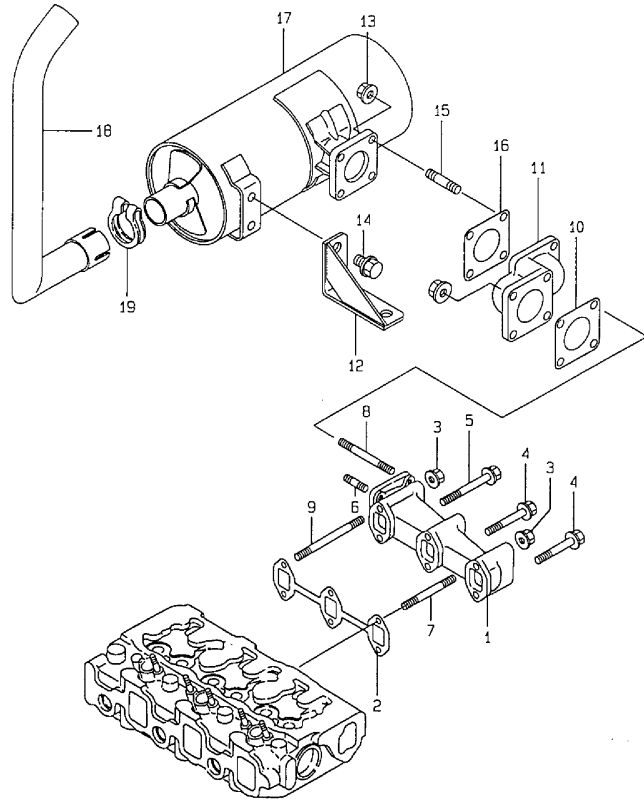
(A)=3TNC78L-RTBA  
(B)=  
(C)=

(D)=  
(E)=  
(F)=

Y00D4390  
3TNC78L-RTBA

6 ハイキマニホールド & サイレンザ  
EXHAUST MANIFOLD & SILENCER

019840-13200  
019840-13100  
019869-93120



No.	Lev.	Parts No.	Description	Q'ty						I	R
				(A)	(B)	(C)	(D)	(E)	(F)		
1	1	119840-13100	MANIFOLD, EXHAUST	1							
2	1	119810-13110	GASKET, EXH.MANIFOLD	1							\$
3	1	194990-22050	NUT, M8	2							
4	1	26106-080602	BOLT, M8X 60 PLATED	3							
5	1	26106-080802	BOLT, M8X 80 PLATED	1							
6	1	26216-080222	STUD, M8X 22	2							
7	1	26216-080602	STUD, M8X 60	1							
8	1	26216-080702	STUD, M8X 70	2							
9	1	26216-080802	STUD, M8X 80	1							
10	1	124701-11911	GASKET, SILENCER	1							
11	1	119840-13150	PIPE, CONNECTING	1							
12	1	119840-13650	STAY, SILENCER	1							
13	1	194990-22050	NUT, M8	2							
14	1	26106-100162	BOLT, M10X 16 PLATED	2							
15	1	26216-080222	STUD, M8X 22	2							
16	1	124701-11911	GASKET, SILENCER	1							\$
17	1	119640-13500	SILENCER	1							
18	1	119869-13550	PIPE	1							
19	1	124664-13580	CLAMP	1							

Remarks

(\$)These parts are sold as a set with Fig.19 No.1.

Fig.7. CAMSHAFT & DRIVING GEAR

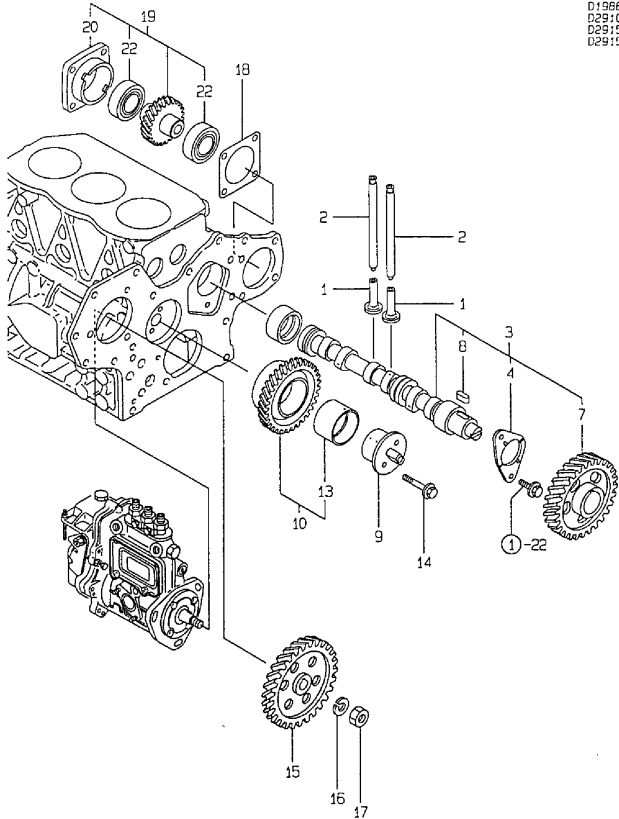
(A)=3TNC78L-RTBA  
(B)=  
(C)=

(D)=  
(E)=  
(F)=

Y00D4390  
3TNC78L-RTBA

7 カムシャフト & クドウギヤ  
CAMSHAFT & DRIVING GEAR

D19665-14100  
D29100-25101  
D29150-25200  
D29150-26100



No.	Lev.	Parts No.	Description	Q'ty						I	R
				(A)	(B)	(C)	(D)	(E)	(F)		
1	1	129150-14200	TAPPET	6							
2	1	119810-14400	PUSH-ROD	6							
3	1	119810-14580	CAMSHAFT ASSY	1							
4	2	129150-02450	BEARING, THRUST	1							
7	2	129150-14101	GEAR, CAMSHAFT	1							
8	2	22512-070140	KEY, 7X 14	1							
9	1	129100-25061	SHAFT, IDLE	1							
10	1	129150-25101	GEAR ASSY, IDLE	1							
13	2	129150-25920	BUSH, IDLE GEAR	1							1
14	1	26106-080452	BOLT, M8X 45 PLATED	2							
15	1	129150-25900	GEAR, PUMP	1							
16	1	22217-120000	WASHER, SPRING 12	1							
17	1	26716-120002	NUT, M12	1							
18	1	129150-01881	GASKET	1							\$
19	1	129150-26000	DRIVE ASSY, PUMP	1							
20	2	129150-26050	BRACKET, PUMP	1							
22	2	24101-060064	BEARING, BALL 6006	2							

Remarks

- (1)Repair parts.
- (\$)These parts are sold as a set with Fig.19 No.1.

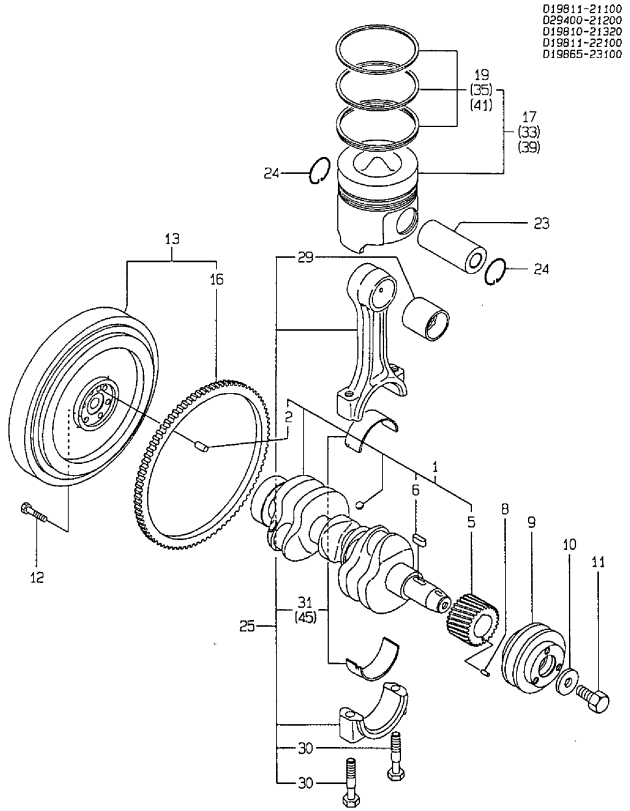
Fig.8. CRANKSHAFT & PISTON

(A)=3TNC78L-RTBA  
(B)=  
(C)=

(D)=  
(E)=  
(F)=

Y0004390  
3TNC78L-RTBA

クランクシャフト & ピストン  
CRANKSHAFT & PISTON



D19811-21100  
D29400-21200  
D19810-21320  
D19811-22100  
D19865-23100

No.	Lev.	Parts No.	Description	Q'ty						I	R
				(A)	(B)	(C)	(D)	(E)	(F)		
1	1	719811-21700	CRANKSHAFT ASSY	1							
2	2	129100-01580	PIN, PARALLEL 8X16	1							
5	2	129150-21200	GEAR, CRANKSHAFT	1							
6	2	22512-070140	KEY, 7X 14	1							
8	1	22351-040010	PIN, SPRING 4.0X10	1							
9	1	171301-21650	V-PULLEY, CRANKSHAFT	1							
10	1	129795-21661	WASHER	1							
11	1	121850-21680	BOLT	1							
12	1	121111-21501	BOLT, FLYWHEEL	6							
13	1	171325-21590	FLYWHEEL ASSY	1							
16	2	119865-21600	GEAR, RING Z=116	1							
17	1	119811-22080	PISTON ASSY	3							
19	2	729100-22500	RING SET, PISTON	3							
23	1	104200-22300	PIN, PISTON	3							
24	1	129792-22400	CIRCLIP, 23	6							
25	1	719810-23100	ROD ASSY, CONNECTING	3							
29	2	119810-23910	BEARING, PISTON PIN	3							1
30	2	119810-23200	BOLT, CONNECTING ROD	6							
31	2	119810-23600	BEARING, CRANK PIN	3							
33	1	719811-22900	PISTON ASSY, 0.25 OS	3							2
35	2	729555-22950	RING SET, 0.25 OS	3							2
39	1	119811-22920	PISTON ASSY, 0.50 OS	3							3
41	2	129100-22970	RING SET, 0.50 OS	3							3
45	1	119810-23610	BEARING, 0.25 US	3							4

Remarks

- (1)Repair parts.
- (2)Over-sized(O.S.=0.25) parts.
- (3)Over-sized(O.S.=0.50) parts.
- (4)Under-sized(U.S.=0.25) parts.

Fig.9. HYDRAULIC PUMP

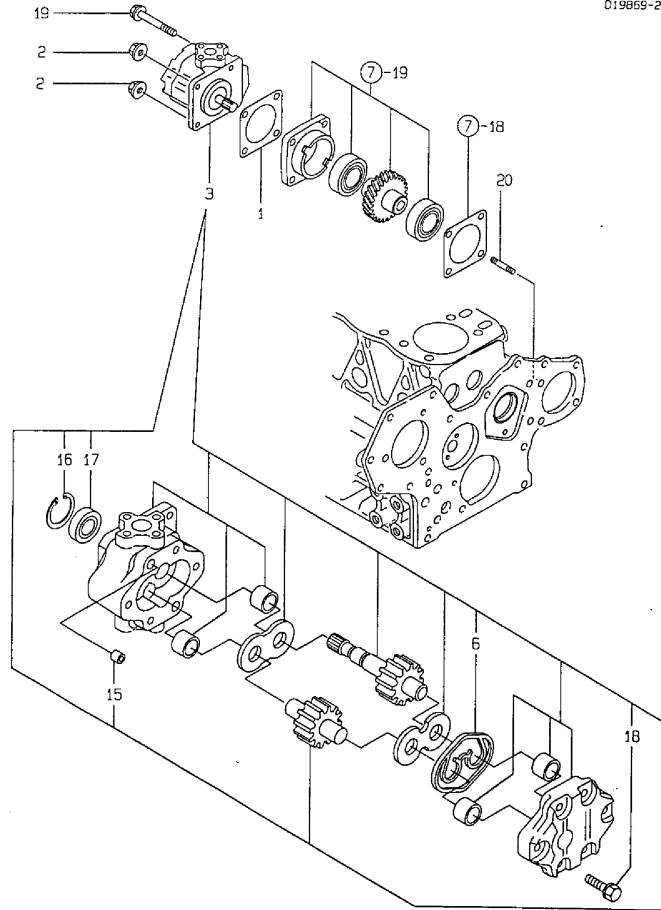
(A)=3TNC78L-RTBA  
(B)=  
(C)=

(D)=  
(E)=  
(F)=

Y0004390  
3TNC78L-RTBA

9 ユアツポンプ  
HYDRAULIC OIL PUMP

019859-25200



No.	Lev.	Parts No.	Description	Q'ty						I	R
				(A)	(B)	(C)	(D)	(E)	(F)		
1	1	124240-01883	GASKET	1							\$
2	1	194990-22050	NUT, M8	2							
3	1	198011-41110	PUMP, HYDRAULIC	1							
15	2	194521-41570	PIN, 11X7	2							
16	2	22252-000320	RING, 32	1							
17	2	24421-153207	SEAL, OIL TC153207	1							
18	2	26016-080352	BOLT, M8X 35	4							
19	1	26106-080802	BOLT, M8X 80 PLATED	2							
20	1	26216-080202	STUD, M8X 20	2							

Remarks

(\$)These parts are sold as a set with Fig.19 No.1.

N:Old  $\xrightarrow{\text{Yes}}$  New, Q:Old  $\xrightarrow{\text{No}}$  New, R:Old  $\xrightarrow{\text{Yes}}$  New, S:Old  $\xrightarrow{\text{No}}$  New, W:Add, Z:Discontinued, F:Interchangeable by set, K:Q'ty Change

Fig.10. LUB. OIL SYSTEM

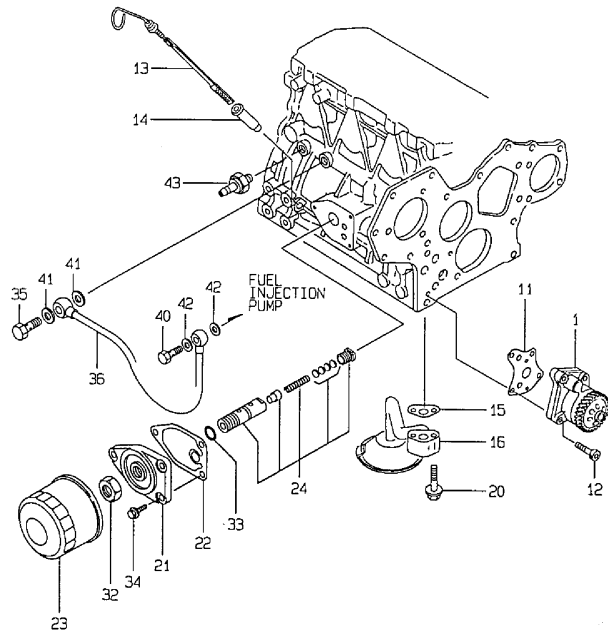
(A)=3TNC78L-RTBA  
(B)=  
(C)=

(D)=  
(E)=  
(F)=

Y0004390  
3TNC78L-RTBA

10 LOシステム  
LUB.OIL SYSTEM

D19805-32100  
D19810-34100  
D19810-35100  
D29100-35200  
D19805-39110  
D19800-39100



No.	Lev.	Parts No.	Description	Q'ty						I	R
				(A)	(B)	(C)	(D)	(E)	(F)		
1	1	119810-32000	PUMP ASSY, OIL	1							
11	1	129150-32020	GASKET, PUMP	1							\$
12	1	26450-060252	BOLT, M6X 25	4							
13	1	119600-34800	DIPSTICK, OIL	1							
14	1	121520-34810	GUIDE, DIPSTICK	1							
15	1	129150-35041	GASKET	1							\$
16	1	119810-35400	PIPE ASSY, OIL INLET	1							
20	1	26106-080352	BOLT, M8X 35 PLATED	2							
21	1	129150-35101	BRACKET, FILTER	1							
22	1	129150-35111	GASKET	1							\$
23	1	129150-35150	FILTER 90X80L	1							
24	1	119865-35300	VALVE ASSY, CONTROL	1							
32	1	129150-35350	NUT	1							
33	1	24311-000160	O-RING, 1AP16.0	1							\$
34	1	26106-080202	BOLT, M8X 20 PLATED	3							
35	1	124160-39140	BOLT, PIPE JOINT M10	1							
36	1	119810-39200	PIPE ASSY, OIL	1							
40	1	124550-59820	BOLT, PIPE JOINT M8	1							
41	1	23414-100000	GASKET, 10X1.0	2							\$
42	1	43400-500410	SEAL WASHER 8S	2							
43	1	124160-39450	SWITCH, HYDRAULIC	1							

Remarks

(\$)These parts are sold as a set with Fig.19 No.1.

N:Old  $\xrightarrow{\text{Yes}}$  New, Q:Old  $\xrightarrow{\text{No}}$  New, R:Old  $\xrightarrow{\text{Yes}}$  New, S:Old  $\xrightarrow{\text{No}}$  New, W:Add, Z:Discontinued, F:Interchangeable by set, K:Q'ty Change

Fig.11. COOLING WATER SYSTEM

(A)=3TNC78L-RTBA

(B)=

(C)=

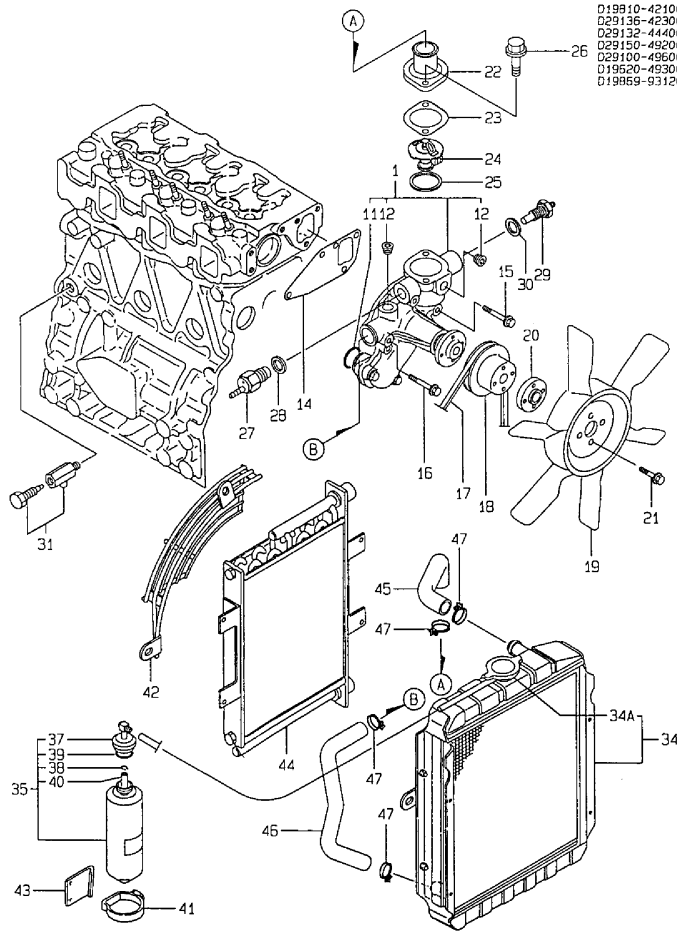
(D)=

(E)=

(F)=

Y00D4390  
3TNC78L-RTBA

↑↑ C.W.システム  
COOLING WATER SYSTEM



No.	Lev.	Parts No.	Description	Q'ty						I	R
				(A)	(B)	(C)	(D)	(E)	(F)		
1	1	119810-42001	PUMP ASSY, WATER	1							
11	2	129150-42320	O-RING	1							
12	2	23871-030000	PLUG, R03	2							
14	1	129150-42020	GASKET, WATER PUMP	1							\$
15	1	26106-080352	BOLT, M8X 35 PLATED	1							
16	1	26106-080552	BOLT, M8X 55 PLATED	3							
17	1	119865-42290	V-BELT, A36.5	1							
18	1	129556-42350	V-PULLEY, 96	1							
19	1	121520-44740	FAN, COOLING D325	1							
20	1	124574-44761	SPACER, FAN	1							
21	1	26014-060302	BOLT, M6X 30	4							
22	1	129350-49530	COVER, THERMOSTAT	1							
23	1	129795-49551	GASKET	1							\$
24	1	129155-49800	THERMOSTAT, 71C	1							
25	1	129150-49811	GASKET, THERMOSTAT	1							\$
26	1	26106-080202	BOLT, M8X 20 PLATED	2							
27	1	121250-44901	SWITCH, THERMO 110	1							
28	1	124465-44950	GASKET, 16	1							\$
29	1	124250-49351	SENSOR, WATER TEMP.	1							
30	1	129150-49360	GASKET	1							\$
31	1	119620-49290	COCK ASSY, 1/4	1							
34	1	119869-44510	RADIATOR	1							
34A	2	123682-44210	CAP, RADIATOR	1							
35	1	171064-44510	TANK ASSY, SUB	1							
36	2	171064-44520	BODY, SUB-TANK	1							
37	2	121450-44531	CAP	1							
38	2	124450-44560	CLAMP, HOSE	1							
39	2	121470-44581	GASKET	1							
40	2	23065-070225	HOSE 7X 225	1							
41	1	124450-44550	BAND, SUB-TANK	1							
42	1	129132-44590	NET, WIRE	1							
43	1	121256-44600	BRACKET, SUB TANK	1							
44	1	129132-44901	COOLER ASSY, OIL	1							
45-1	1	119859-49010	PIPE, WATER	1							
46	1	119869-49020	PIPE, WATER	1							
47	1	23010-038000	CLAMP, 38	4							

Remarks

(\$)These parts are sold as a set with Fig.19 No.1.

N:Old  $\begin{matrix} \leftarrow \text{Yes} \\ \text{No} \end{matrix}$  New, Q:Old  $\begin{matrix} \leftarrow \text{No} \\ \text{Yes} \end{matrix}$  New, R:Old  $\begin{matrix} \leftarrow \text{Yes} \\ \text{Yes} \end{matrix}$  New, S:Old  $\begin{matrix} \leftarrow \text{No} \\ \text{No} \end{matrix}$  New, W:Add, Z:Discontinued, F:Interchangeable by set, K:Q'ty Change

Fig.12. FUEL INJECTION PUMP

(A)=3TNC78L-RTBA

(B)=

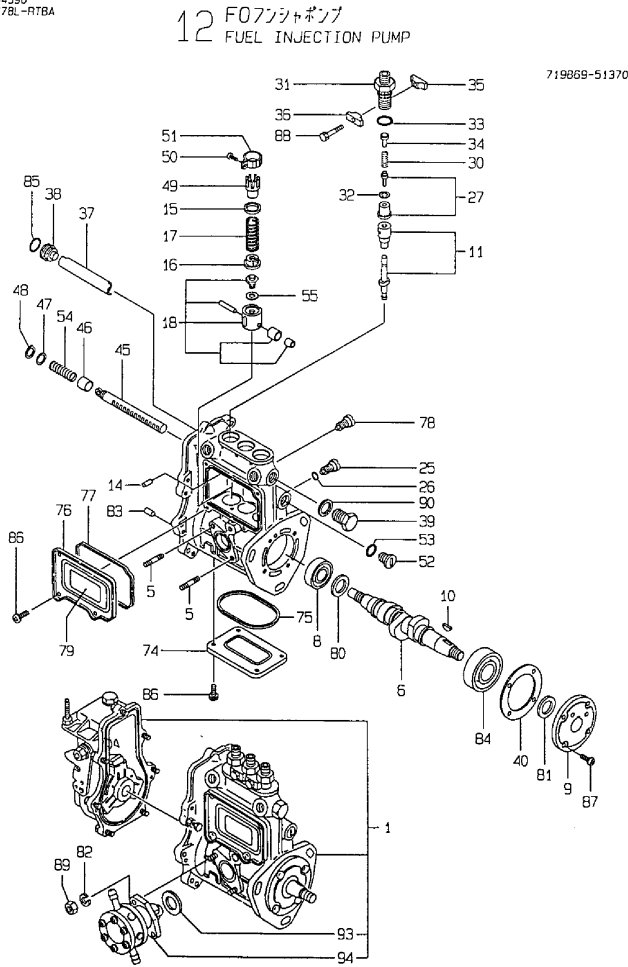
(C)=

(D)=

(E)=

(F)=

Y00D4390  
3TNC78L-RTBA



No.	Lev.	Parts No.	Description	Q'ty						I	R
				(A)	(B)	(C)	(D)	(E)	(F)		
1	1	719869-51370	PUMP ASSY, INJECTION	1							1
5	2	129155-51020	BOLT, STUD	2							
6	2	119810-51040	CAMSHAFT	1							
8	2	129155-51050	BEARING, 17BM001D	1							
9	2	129155-51060	SUPPORT, CAMSHAFT	1							
10	2	122710-51090	FEATHER KEY,WOODRUFF	1							
11	2	129108-51100	PLUNGER ASSY, FUEL	3							
14	2	129155-51140	PIN	3							
15	2	174307-51170	RETAINER, SPRING A	3							
16	2	129155-51180	RETAINER, SPRING	3							
17	2	124950-51190	SPRING, PLUNGER	3							
18	2	129155-51200	TAPPET ASSY	3							
25	2	129155-51270	STOPPER, TAPPET	3							
26	2	129155-51280	O-RING, S6	3							
27	2	128170-51300	VALVE ASSY, DELIVERY	3							
30	2	129155-51320	SPRING, DELIVERY	3							
31	2	129155-51340	HOLDER, DELIVERY	3							
32	2	124550-51350	GASKET, DELIVERY	3							
33	2	124550-51370	O-RING	3							
34	2	129155-51370	STOPPER, DELIVERY	3							
35	2	129155-51380	STOPPER, DELIVERY	2							
36	2	129155-51390	STOPPER, DELIVERY	2							
37	2	129155-51400	DEFLECTOR	1							
38	2	129155-51410	PLUG, SCREW	1							
39	2	129155-51420	PLUG, M16	1							
40	2	129155-51450	SHIM SET, ADJUSTING	1							
45	2	129155-51500	RACK, CONTROL	1							
46	2	129155-51521	BUSH, RACK	1							
47	2	129155-51530	SPACER	1							
48	2	129155-51540	CIRCLIP	1							
49	2	129155-51550	PINION, CONTROL	3							
50	2	122117-51560	SCREW	3							
51	2	174307-51560	PINION	3							
52	2	129155-51570	PLUG, M12	1							
53	2	129155-51580	O-RING	1							
54	2	129155-51591	SPRING, RACK	1							
55	2	129155-51600	SHIM SET, ADJUSTING	3							
74	2	129155-51700	COVER	1							
75	2	129155-51710	GASKET	1							
76	2	129155-51750	COVER	1							
77	2	129155-51760	GASKET	1							
78	2	129155-51790	STOPPER, RACK	1							
79	2	129156-51910	LABEL, CAUTION	1							
80	2	129155-51930	SPACER, T=3.25	1							
81	2	129155-51940	SPACER, T=1.5	1							
82	2	22217-060000	WASHER, SPRING 6	2							
83	2	22351-050010	PIN, SPRING 5.0X10	2							
84	2	24101-063034	BEARING, BALL 6303	1							
85	2	24341-000160	O-RING, 1AS16.0	1							
86	2	26022-050102	SCREW, M5X10	8							
87	2	26022-060162	SCREW, M6X16	4							

Remarks

(1)Governor(Fig.13) is incorporated in this Fuel Injection Pump(No.1).

(S)These parts are sold as a set with Fig.19 No.1.

N:Old  $\xrightarrow{\text{Yes}}$  New, Q:Old  $\xrightarrow{\text{No}}$  New, R:Old  $\xrightarrow{\text{Yes}}$  New, S:Old  $\xrightarrow{\text{No}}$  New, W:Add, Z:Discontinued, F:Interchangeable by set, K:Q'ty Change

++ CONTINUE ++

Copyright (C) YANMAR CO., LTD. All Rights Reserved.

Fig.12. FUEL INJECTION PUMP

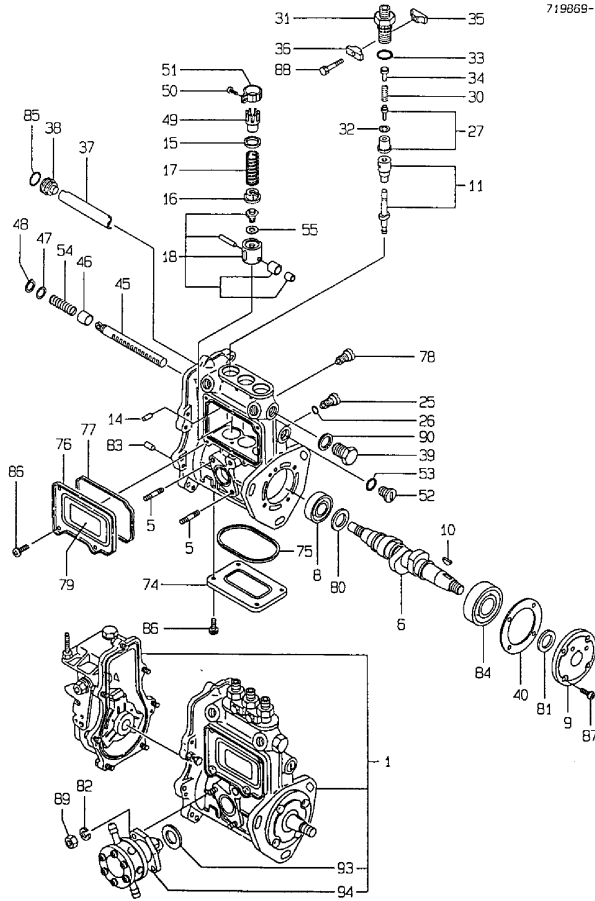
(A)=3TNC78L-RTBA  
(B)=  
(C)=

(D)=  
(E)=  
(F)=

Y00D4390  
3TNC78L-RTBA

12 F07フジポンプ  
FUEL INJECTION PUMP

719869-51370



No.	Lev.	Parts No.	Description	Q'ty						I	R
				(A)	(B)	(C)	(D)	(E)	(F)		
88	2	26116-050302	BOLT, M5X 30 PLATED	2							
89	2	26716-060002	NUT, M6	2							
90	2	43400-500490	SEAL WASHER 16S	1							
93	2	129155-52050	GASKET	1							\$
94	2	129100-52100	PUMP ASSY, FUEL FEED	1							

Remarks

(1)Governor(Fig.13) is incorporated in this Fuel Injection Pump(No.1).  
(\$)These parts are sold as a set with Fig.19 No.1.



Fig.13. GOVERNOR

(A)=3TNC78L-RTBA

(B)=

(C)=

(D)=

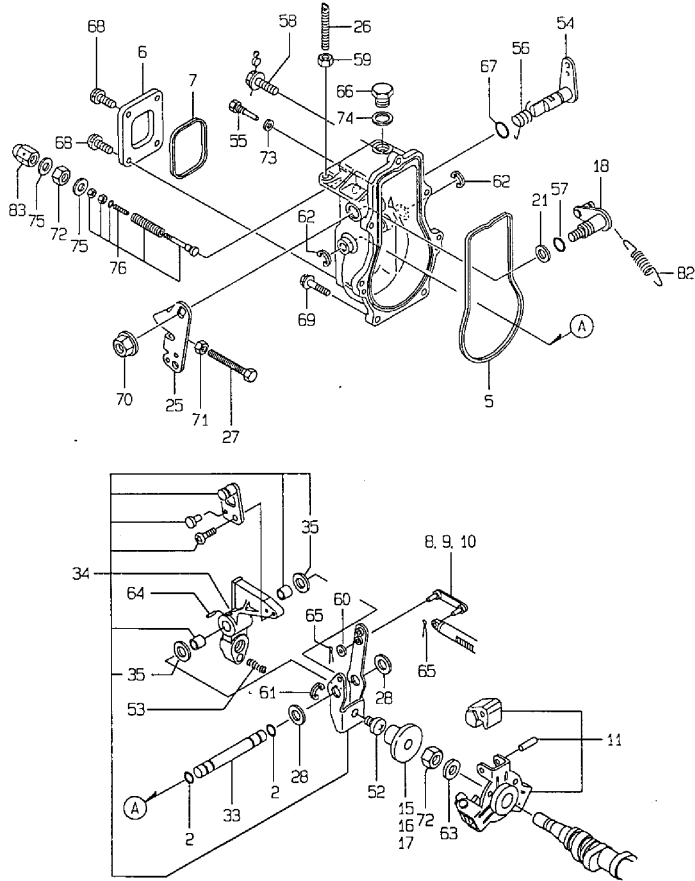
(E)=

(F)=

Y0004390  
3TNC78L-RTBA

13 弁  
GOVERNOR

719869-51370



No.	Lev.	Parts No.	Description	Q'ty						I	R
				(A)	(B)	(C)	(D)	(E)	(F)		
2	2	129155-51280	O-RING, S6	2							
5	2	129155-61050	GASKET	1							
6	2	129155-61060	COVER, GOVERNOR CASE	1							
7	2	129155-61070	GASKET	1							
8	2	129155-61120	LINK, L=30 MARK 0	1							
9	2	129155-61130	LINK, L=31 MARK 1	1							
10	2	129155-61140	LINK, L=30.5 MARK 05	1							
11	2	129155-61201	WEIGHT ASSY,GOVERNOR	1							
15	2	129155-61341	SLEEVE	1							
16	2	129155-61350	SLEEVE, L=24.9	1							
17	2	129155-61360	SLEEVE, L=25.2	1							
18	2	129100-61400	SHAFT ASSY	1							
21	2	129155-61430	SHIM, SHAFT	1							
25	2	129100-61440	LEVER, CONTROL	1							
26	2	129155-61450	BOLT, LIMITING	1							
27	2	129155-61460	BOLT, LIMITING	1							
28	2	129155-61480	SHIM ASSY	2							
33	2	129155-61490	SHAFT	1							
34	2	129500-61500	LEVER ASSY, GOVERNOR	1							
35	3	174307-51700	SHIM SET, PLUNGER	2							
52	2	129155-61540	SHIFTER	1							
53	2	129100-61650	SPRING, FUEL LIMITER	1							
54	2	129255-61802	LEVER, STOP	1							
55	2	129155-61810	PIN	1							
56	2	129100-61821	SPRING, RETURN	1							
57	2	129155-61830	O-RING, S10	1							
58	2	129155-61950	BOLT	1							
59	2	124550-66370	NUT, M6	1							
60	2	22117-040000	WASHER, 4	1							
61	2	22272-000040	RING, E- 4	1							
62	2	22272-000060	RING, E- 6	2							
63	2	22287-120000	WASHER, 12	1							
64	2	22351-030016	PIN, SPRING 3.0X16	1							
65	2	22372-040000	PIN, SNAP 4	2							
66	2	23887-100002	PLUG, 10	1							
67	2	24311-240100	O-RING, 1AP10A	1							
68	2	26022-050102	SCREW, M5X10	4							
69	2	26106-060202	BOLT, M6X 20 PLATED	6							
70	2	26366-080002	NUT, M8	1							
71	2	26756-060002	NUT, LOCK M6	1							
72	2	26776-120002	NUT, LOCK M12	2							
73	2	43400-500390	SEAL WASHER 6S	1							
74	2	43400-500430	SEAL WASHER 10S	1							
75	2	43400-500450	SEAL WASHER 12S	2							
76	1	129100-61450	LIMITER ASSY, FUEL	1							
82	1	171353-61710	SPRING, GOVERNOR	1							
83	1	26687-120002	NUT, CAP M12	1							

Fig.14. FUEL INJECTION VALVE

(A)=3TNC78L-RTBA

(B)=

(C)=

(D)=

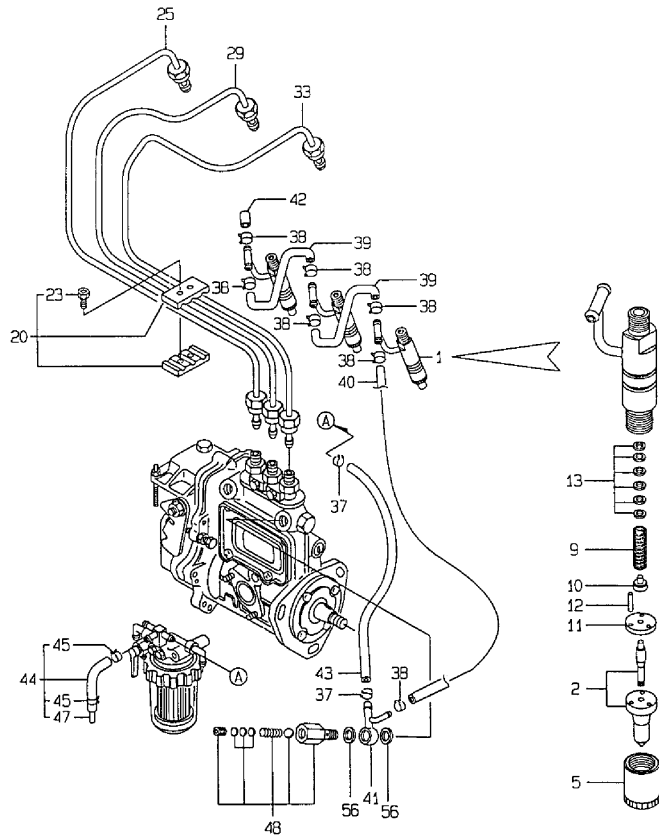
(E)=

(F)=

Y0004390  
3TNC78L-RTBA

14 F07インジェクション  
FUEL INJECTION VALVE

029500-53200  
019810-59100  
019840-59301



No.	Lev.	Parts No.	Description	Q'ty						I	R
				(A)	(B)	(C)	(D)	(E)	(F)		
1	1	729500-53200	VALVE ASSY,INJECTION	3							
2	2	129500-53050	NOZZLE ASSY, F.I.	3							
5	2	114250-53080	NUT, NOZZLE	3							
9	2	114250-53120	SPRING, NOZZLE	3							
10	2	114250-53130	SEAT, SPRING	3							
11	2	114250-53140	SPACER	3							
12	2	114250-53210	PIN	6							
13	2	114250-53400	SHIM SET	3							
20	1	129150-59120	RETAINER, PIPE	1							
23	2	129150-59130	BOLT, M4X12	2							
25	1	119810-59810	PIPE ASSY, INJECTION	1							
29	1	119810-59820	PIPE ASSY, INJECTION	1							
33	1	119810-59830	PIPE ASSY, INJECTION	1							
37	1	124766-59050	CLAMP, HOSE 11.5	2							
38	1	124066-59100	CLAMP, HOSE 8	7							
39	1	121250-59550	HOSE, FUEL D8X120	2							
40	1	119840-59560	HOSE, FUEL RETURN	1							
41	1	119840-59570	JOINT	1							
42	1	129150-59580	CAP	1							
43	1	129255-59580	HOSE, FUEL	1							
44	1	119840-59601	BEND	1							
45	2	124766-59050	CLAMP, HOSE 11.5	2							
47	2	119840-59621	JOINT	1							
48	1	129100-59951	VALVE ASSY, CHECK	1							
56	1	23414-120000	GASKET, 12X1.0	2							

Fig.15. FUEL FILTER

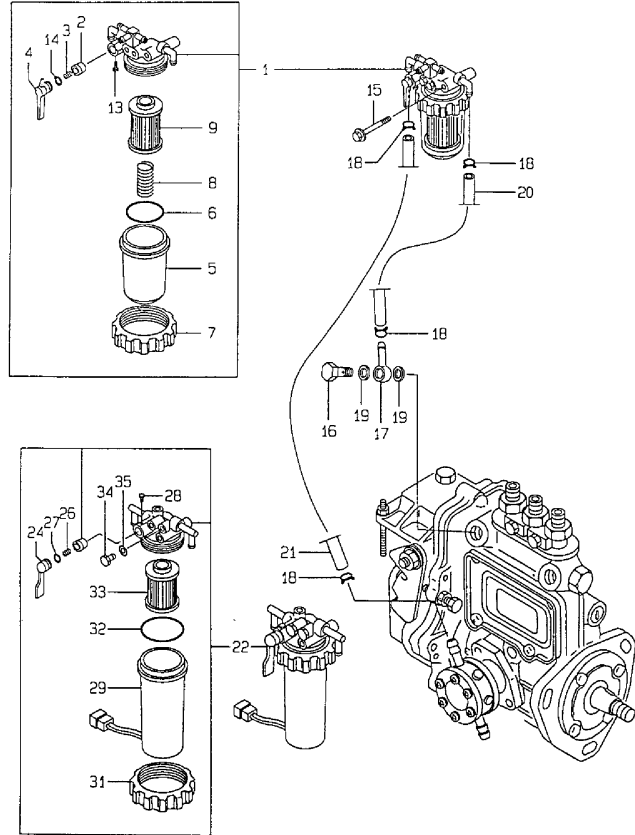
(A)=3TNC78L-RTBA  
(B)=  
(C)=

(D)=  
(E)=  
(F)=

Y0004390  
3TNC78L-RTBA

15 F.O.フィルター  
FUEL FILTER

019810-55111  
029100-59211  
019869-93120



No.	Lev.	Parts No.	Description	Q'ty						I	R
				(A)	(B)	(C)	(D)	(E)	(F)		
1	1	119810-55621	FILTER ASSY, FUEL	1							
2	2	104200-55321	VALVE, TAPER	1							
3	2	104200-55330	SPRING, FUEL VALVE	1							
4	2	119810-55340	LEVER, FUEL	1							
5	2	121254-55510	CUP, FUEL STARINER	1							
6	2	102103-55520	O-RING	1							
7	2	110250-55610	RING, CUP RETAINING	1							
8	2	121250-55620	SPRING, ELEMENT	1							
9	2	119810-55650	ELEMENT	1							
13	2	104200-55750	SCREW, PAN M4	1							
14	2	24311-240100	O-RING, 1AP10A	1							
15	1	26014-080702	BOLT, M8X 70	1							
16	1	103854-39140	BOLT, PIPE JOINT	1							
17	1	101304-59020	JOINT, PIPE 12	1							
18	1	124766-59050	CLAMP, HOSE 11.5	4							
19	1	104200-59170	GASKET, 12	2							\$
20	1	129555-59510	HOSE, D13/7.5X180	1							
21	1	105025-59530	HOSE, FUEL D13X400	1							
22	1	129137-55700	SEPARATOR ASSY,WATER	1							
24	2	104200-55341	HANDLE, COCK	1							
26	2	104200-55330	SPRING, FUEL VALVE	1							
27	2	24311-240100	O-RING, 1AP10A	1							
28	2	104200-55750	SCREW, PAN M4	1							
29	2	129137-55710	CUP ASSY	1							
31	2	110250-55610	RING, CUP RETAINING	1							
32	2	102103-55520	O-RING	1							
33	2	171081-55910	FILTER, FUEL	1							
34	2	101720-55750	PLUG, HEXAGON M6	2							
35	2	23418-060000	GASKET, 6X1.0	2							

Remarks

(\$)These parts are sold as a set with Fig.19 No.1.

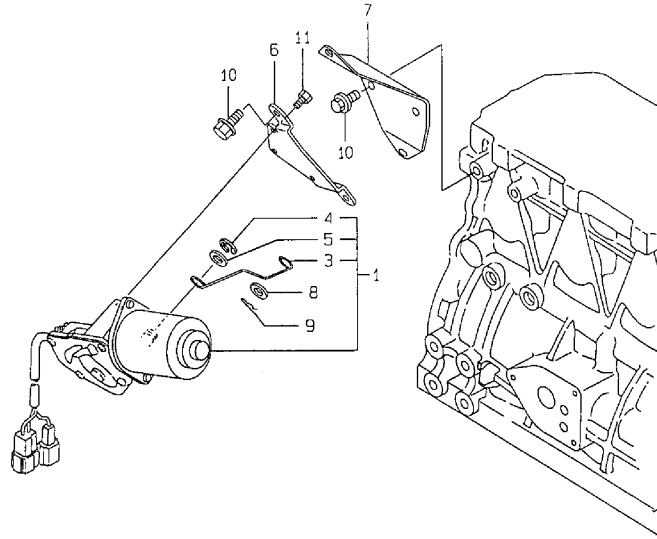
N:Old  $\xrightarrow{\text{Yes}}$  New, Q:Old  $\xrightarrow{\text{No}}$  New, R:Old  $\xrightarrow{\text{Yes}}$  New, S:Old  $\xrightarrow{\text{No}}$  New, W:Add, Z:Discontinued, F:Interchangeable by set, K:Q'ty Change

Fig.16. ENGINE STOP DEVICE

Y00D4390  
3TNC78L-RTBA

16 キカンテイシソウチ  
ENGINE STOP DEVICE

D19835-66500



(A)=3TNC78L-RTBA  
(B)=  
(C)=

(D)=  
(E)=  
(F)=

No.	Lev.	Parts No.	Description	Q'ty						I	R
				(A)	(B)	(C)	(D)	(E)	(F)		
1	1	119836-66800	MOTOR ASSY, STOP	1							
3	2	119840-66830	SPRING, STOP MOTOR	1							
4	2	129566-66880	RING, SNAP	1							
5	2	129566-66890	WASHER	1							
6	1	119840-66810	BRACKET, STOP MOTOR	1							
7	1	119856-66811	BRACKET, STOP MOTOR	1							
8	1	22117-080000	WASHER, 8	1							
9	1	22360-080000	SNAP PIN 8	1							
10	1	26106-080122	BOLT, M8X 12 PLATED	4							
11	1	26116-050102	BOLT, M5X 10 PLATED	3							

Fig.17. STARTER MOTOR

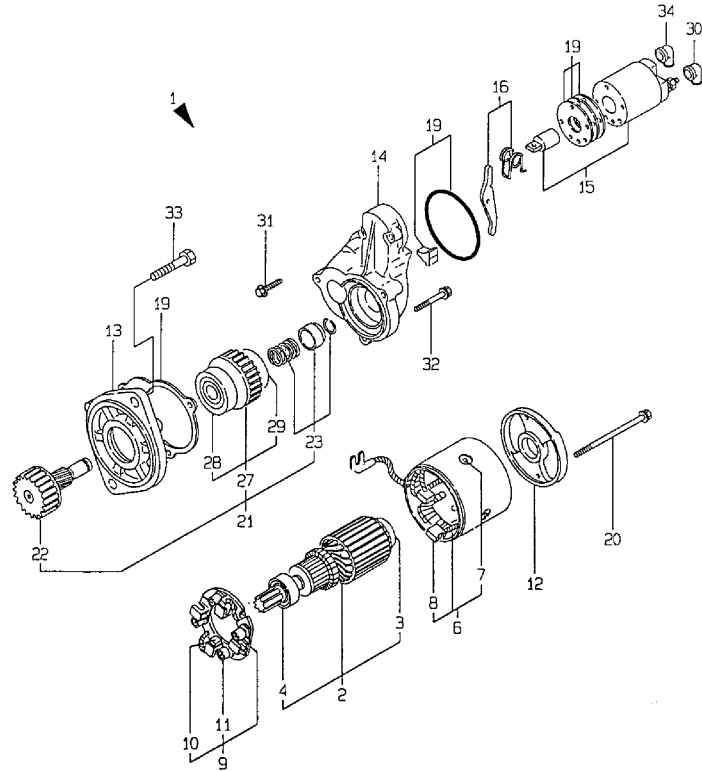
(A)=3TNC78L-RTBA  
(B)=  
(C)=

(D)=  
(E)=  
(F)=

Y00D4390  
3TNC78L-RTBA

17 スタートインゴモータ  
STARTING MOTOR

D29100-77100  
D19869-93120



No.	Lev.	Parts No.	Description	Q'ty						I	R
				(A)	(B)	(C)	(D)	(E)	(F)		
1	1	171008-77010	STARTER ASSY	1							
2	2	171008-77400	ARMATURE ASSY	1							
3	3	171008-77410	BEARING, BALL	1							
4	3	171008-77420	BEARING, BALL	1							
6	2	171008-77440	COIL ASSY, FIELD	1							
7	3	171008-77450	SCREW, CORE SET	4							
8	3	171008-77460	BRUSH (+)	2							
9	2	171008-77470	HOLDER ASSY, BRUSH	1							
10	3	171008-77480	BRUSH (-)	2							
11	3	171008-77490	SPRING, BRUSH	4							
12	2	171008-77500	COVER, REAR	1							
13	2	171008-77510	CASE, GEAR	1							
14	2	171008-77520	HOUSING, CENTER	1							
15	2	171008-77530	SWITCH, MAGNETIC	1							
16	2	171008-77540	LEVER SET	1							
19	2	171008-77571	COVER KIT, DUST	1							
20	2	171008-77640	BOLT, THROUGH	2							
21	2	171008-77650	PINION ASSY,W/CLUTCH	1							
22	3	171008-77660	SHAFT, PINION	1							
23	3	171008-77670	STOPPER SET, PINION	1							
27	3	171008-77720	CLUTCH ASSY	1							
28	4	171008-77730	BEARING, BALL	1							
29	4	171008-77740	BEARING, BALL	1							
30	2	171008-77750	COVER, TERMINAL	1							
31	2	26106-060322	BOLT, M6X 32 PLATED	2							
32	2	26106-060402	BOLT, M6X 40 PLATED	3							
33	1	26116-120252	BOLT, M12X 25 PLATED	2							
34	1	124550-77030	COVER, TERMINAL	1							

Fig.18. GENERATOR

(A)=3TNC78L-RTBA

(B)=

(C)=

(D)=

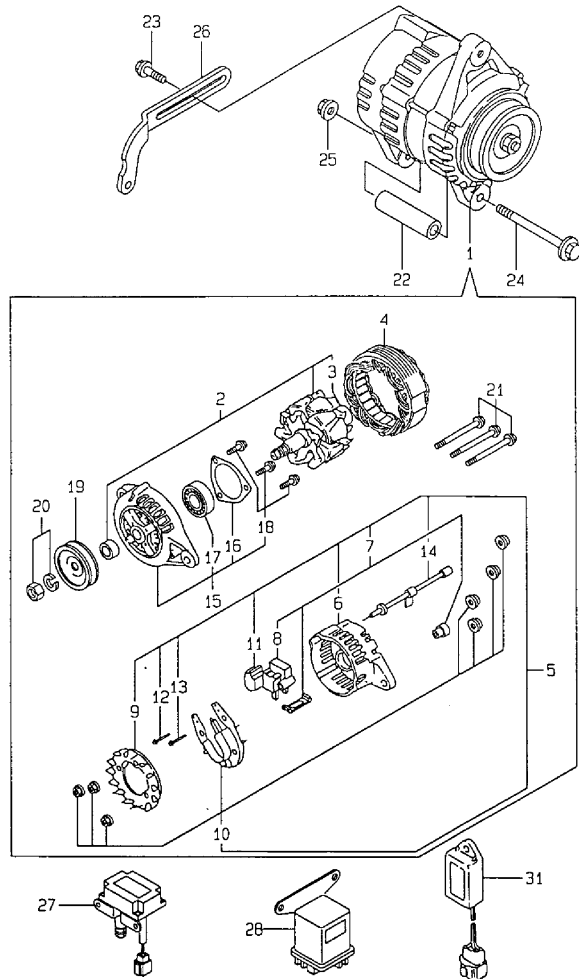
(E)=

(F)=

Y0004390  
3TNC78L-RTBA

18 ジェネレータ  
GENERATOR

D19836-77200  
D29100-77310  
D19859-93120



No.	Lev.	Parts No.	Description	Q'ty						I	R
				(A)	(B)	(C)	(D)	(E)	(F)		
1	1	119836-77200	GENERATOR	1							
2	2	119836-77700	ROTOR ASSY	1							
3	3	119836-77850	BALL BEARING	1							
4	2	119836-77710	STATOR ASSY	1							
5	2	119836-77721	COVER ASSY, REAR	1							
6	3	119836-77730	COVER, REAR	1							
7	3	119836-77741	BRUSH ASSY,REGULATOR	1							
8	4	119836-77750	BRUSH ASSY	1							
9	3	119836-77760	GUIDE, FAN SIDE	1							
10	3	119836-77770	DIODE ASSY	1							
11	3	119836-77780	CONDENSER	1							
12	3	119836-77871	BOLT (1)	1							
13	3	119836-77880	BOLT (2)	1							
14	3	119836-77890	WIRE ASSY, LEAD	1							
15	2	119836-77790	COVER ASSY, FRONT	1							
16	3	119836-77800	RETAINER, BEARING	1							
17	3	119836-77840	BALL BEARING	1							
18	3	119836-77860	SCREW KID	1							
19	2	119836-77810	PULLEY	1							
20	2	119836-77820	NUT ASSY, PULLEY	1							
21	2	119836-77830	BOLT, THROUGH	3							
22	1	119820-77340	PIECE, DISTANCE	1							
23	1	26014-080252	BOLT, M8X 25	1							
24	1	129136-77250	BOLT M 8X105	1							
25	1	26366-080002	NUT, M8	1							
26	1	129100-77330	ADJUSTER	1							
27	1	129136-77100	RELAY, SAFETY	1							
28	1	119650-77910	RELAY ASSY, GLOW	1							
31	1	119869-77910	TIMER	1							

Fig.19. TOOL & GASKET SET(OPTIONAL)

(A)=3TNC78L-RTBA

(B)=

(C)=

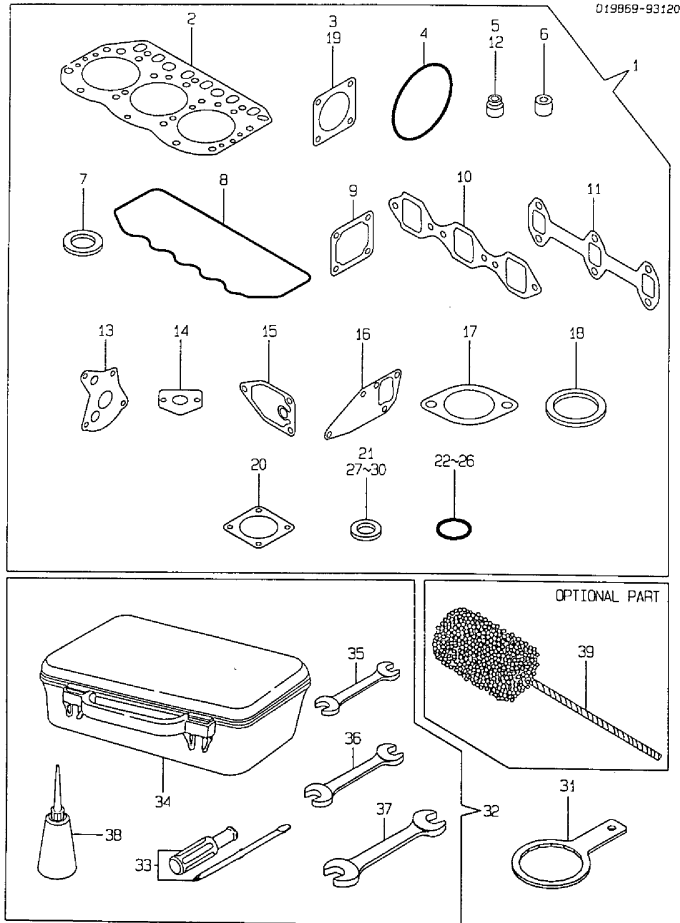
(D)=

(E)=

(F)=

Y0004390  
3TNC78L-RTBA

19 ガッキンセット(オプション) & コウク  
GASKET SET (OPTIONAL) & TOOL



No.	Lev.	Parts No.	Description	Q'ty						I	R
				(A)	(B)	(C)	(D)	(E)	(F)		
1	1	719869-92600	GASKET SET	1							1
2	2	119811-01330	GASKET, HEAD T=1.4	1							
3	2	124240-01883	GASKET	3							
4	2	121850-51960	O-RING	1							
5	2	124160-11340	SEAL, VALVE STEM	3							
6	2	119625-11870	PROTECTOR, NOZZLE	3							
7	2	119625-11880	SEAT, NOZZLE	3							
8	2	119865-11310	GASKET, BONNET	1							
9	2	129150-77511	GASKET, AIR HEATER	1							
10	2	119810-12111	GASKET, MANIFOLD	1							
11	2	119810-13110	GASKET, EXH.MANIFOLD	1							
12	2	124950-11340	SEAL, VALVE STEM	3							
13	2	129150-32020	GASKET, PUMP	1							
14	2	129150-35041	GASKET	1							
15	2	129150-35111	GASKET	1							
16	2	129150-42020	GASKET, WATER PUMP	1							
17	2	129795-49551	GASKET	1							
18	2	129150-49811	GASKET, THERMOSTAT	1							
19	2	129150-01881	GASKET	1							
20	2	124701-11911	GASKET, SILENCER	1							
21	2	129155-52050	GASKET	1							
22	2	24311-000120	O-RING, 1AP12.0	3							
23	2	24311-000160	O-RING, 1AP16.0	3							
24	2	24311-000320	O-RING, 1AP32.0	1							
25	2	24341-000500	O-RING, 1AS50.0	1							
26	2	24341-000240	O-RING, 1AS24.0	1							
27	2	23414-100000	GASKET, 10X1.0	2							
28	2	124465-44950	GASKET, 16	1							
29	2	129150-49360	GASKET	1							
30	2	104200-59170	GASKET, 12	2							
31	1	171301-92750	WRENCH, L.O. FILTER	1							
32	1	171001-93100	BOX, TOOL	1							
33	2	104200-92350	SCREW-DRIVER	1							
34	2	104200-92600	BOX, TOOL	1							
35	2	28110-100120	SPANNER, 10X12	1							
36	2	29110-140170	WRENCH 14X17	1							
37	2	28110-190220	SPANNER, 19X22	1							
38-1	2	28210-000140	OILER	1							
39	1	129400-92420	HONE, FLEX	1							1

Remarks

(1)Optional parts.

## Parts No. Index

Parts No.	Fig. No.	Ref. No.
101158-11190	4	22
101304-59020	15	17
101720-55750	15	34
102103-55520	15	6
		32
103854-39140	15	16
104200-22300	8	23
104200-55321	15	2
104200-55330	15	3
		26
104200-55341	15	24
104200-55750	15	13
		28
104200-59170	15	19
	19	30
104200-92350	19	33
104200-92600	19	34
104211-11180	4	21
104211-11370	4	25
105025-59530	15	21
110250-55610	15	7
		31
114250-53080	14	5
114250-53120	14	9
114250-53130	14	10
114250-53140	14	11
114250-53210	14	12
114250-53400	14	13
119600-34800	10	13
119620-01750	3	3
119620-02020	1	7
119620-49290	11	31
119625-11870	4	40
	19	6
119625-11880	4	41
	19	7
119625-11900	4	42
119640-12580	5	8
119640-13500	6	17
119650-77910	18	28
119810-01200	1	23
119810-01730	3	6
119810-01780	3	17
119810-01790	3	8
119810-02870	1	25
119810-02940	1	28
119810-11100	4	18
119810-11110	4	19
119810-11120	4	20
119810-11240	4	28

Parts No.	Fig. No.	Ref. No.
119810-11350	4	45
119810-12111	5	1
	19	10
119810-13110	6	2
	19	11
119810-14400	7	2
119810-14580	7	3
119810-23200	8	30
119810-23600	8	31
119810-23610	8	45
119810-23910	8	29
119810-32000	10	1
119810-35400	10	16
119810-39200	10	36
119810-42001	11	1
119810-51040	12	6
119810-55340	15	4
119810-55621	15	1
119810-55650	15	9
119810-59810	14	25
119810-59820	14	29
119810-59830	14	33
119811-01330	1	24
	19	2
119811-22080	8	17
119811-22920	8	39
119820-77340	18	22
119836-12810	5	12
119836-66800	16	1
119836-77200	18	1
119836-77700	18	2
119836-77710	18	4
119836-77721	18	5
119836-77730	18	6
119836-77741	18	7
119836-77750	18	8
119836-77760	18	9
119836-77770	18	10
119836-77780	18	11
119836-77790	18	15
119836-77800	18	16
119836-77810	18	19
119836-77820	18	20
119836-77830	18	21
119836-77840	18	17
119836-77850	18	3
119836-77860	18	18
119836-77871	18	12
119836-77880	18	13
119836-77890	18	14

Parts No.	Fig. No.	Ref. No.
119840-12210	5	4
119840-12650	5	5 A
119840-13100	6	1
119840-13150	6	11
119840-13650	6	12
119840-59560	14	40
119840-59570	14	41
119840-59601	14	44
119840-59621	14	47
119840-66810	16	6
119840-66830	16	3
119856-66811	16	7
119859-49010	11	45 -1
119865-11200	4	27
119865-11310	4	52
	19	8
119865-21600	8	16
119865-35300	10	24
119865-42290	11	17
119869-12210	5	20
119869-12220	5	21
119869-12510	5	5
119869-13550	6	18
119869-44510	11	34
119869-49020	11	46
119869-77910	18	31
121023-01550	2	25
121111-21501	8	12
121120-12541	5	5 C
121120-12561	5	5 E
121120-12571	5	5 F
121250-44901	11	27
121250-55620	15	8
121250-59550	14	39
121254-55510	15	5
121256-44600	11	43
121262-12800	5	5 G
121450-01560	2	2
121450-44531	11	37
121470-44581	11	39
121520-34810	10	14
121520-44740	11	19
121850-11860	4	13
121850-21680	8	11
121850-51960	2	13
	19	4
122117-51560	12	50
122710-51090	12	10
123682-44210	11	34 A
124060-11800	4	12

Parts No.	Fig. No.	Ref. No.
124066-59100	14	38
124160-01751	2	8
	4	46
124160-01910	1	5
124160-11340	4	23
	19	5
124160-11360	4	56
124160-39140	10	35
124160-39450	10	43
124240-01871	2	9
		28
124240-01883	2	10
		29
	9	1
	19	3
124250-49351	11	29
124450-44550	11	41
124450-44560	11	38
124465-44950	11	28
	19	28
124550-51350	12	32
124550-51370	12	33
124550-59820	10	40
124550-66370	13	59
124550-77030	17	34
124574-44761	11	20
124664-13580	6	19
124701-11911	6	10
		16
	19	20
124736-07900	4	5
124766-59050	14	37
		45
	15	18
124950-11340	4	24
	19	12
124950-51190	12	17
128170-51300	12	27
129100-01520	2	1
129100-01580	3	1
		14
	8	2
129100-01590	2	4
129100-22970	8	41
129100-25061	7	9
129100-52100	12	94
129100-59951	14	48
129100-61400	13	18
129100-61440	13	25
129100-61450	13	76



## Parts No. Index

Parts No.	Fig. No.	Ref. No.
129100-61650	13	53
129100-61821	13	56
129100-77330	18	26
129108-51100	12	11
129120-77501	5	17
129132-12561	5	7
129132-12581	5	6
129132-12800	5	9
129132-12850	5	10
129132-44590	11	42
129132-44901	11	44
129136-77100	18	27
129136-77250	18	24
129137-55700	15	22
129137-55710	15	29
129150-01580	2	3
129150-01881	7	18
	19	19
129150-02450	7	4
129150-03020	4	47
129150-03070	4	48
129150-03080	4	49
129150-03090	4	1
129150-03100	2	12
129150-11230	4	35
129150-11280	4	33
129150-11750	4	37
129150-14101	7	7
129150-14200	7	1
129150-21200	8	5
129150-25101	7	10
129150-25900	7	15
129150-25920	7	13
129150-26000	7	19
129150-26050	7	20
129150-32020	10	11
	19	13
129150-35041	10	15
	19	14
129150-35101	10	21
129150-35111	10	22
	19	15
129150-35150	10	23
129150-35350	10	32
129150-42020	11	14
	19	16
129150-42320	11	11
129150-49360	11	30
	19	29
129150-49811	11	25

Parts No.	Fig. No.	Ref. No.
129150-49811	19	18
129150-59120	14	20
129150-59130	14	23
129150-59580	14	42
129150-77511	5	18
	19	9
129155-11260	4	31
129155-11270	4	32
129155-49800	11	24
129155-51020	12	5
129155-51050	12	8
129155-51060	12	9
129155-51140	12	14
129155-51180	12	16
129155-51200	12	18
129155-51270	12	25
129155-51280	12	26
	13	2
129155-51320	12	30
129155-51340	12	31
129155-51370	12	34
129155-51380	12	35
129155-51390	12	36
129155-51400	12	37
129155-51410	12	38
129155-51420	12	39
129155-51450	12	40
129155-51500	12	45
129155-51521	12	46
129155-51530	12	47
129155-51540	12	48
129155-51550	12	49
129155-51570	12	52
129155-51580	12	53
129155-51591	12	54
129155-51600	12	55
129155-51700	12	74
129155-51710	12	75
129155-51750	12	76
129155-51760	12	77
129155-51790	12	78
129155-51930	12	80
129155-51940	12	81
129155-52050	12	93
	19	21
129155-61050	13	5
129155-61060	13	6
129155-61070	13	7
129155-61120	13	8
129155-61130	13	9

Parts No.	Fig. No.	Ref. No.
129155-61140	13	10
129155-61201	13	11
129155-61341	13	15
129155-61350	13	16
129155-61360	13	17
129155-61430	13	21
129155-61450	13	26
129155-61460	13	27
129155-61480	13	28
129155-61490	13	33
129155-61540	13	52
129155-61810	13	55
129155-61830	13	57
129155-61950	13	58
129156-51910	12	79
129255-59580	14	43
129255-61802	13	54
129350-12660	5	5 B
129350-12900	5	5 D
129350-49530	11	22
129400-92420	19	39
129500-53050	14	2
129500-61500	13	34
129555-59510	15	20
129556-42350	11	18
129566-66880	16	4
129566-66890	16	5
129792-22400	8	24
129795-01800	2	7
129795-01950	2	11
129795-02411	1	21
129795-21661	8	10
129795-49551	11	23
	19	17
171001-93100	19	32
171008-77010	17	1
171008-77400	17	2
171008-77410	17	3
171008-77420	17	4
171008-77440	17	6
171008-77450	17	7
171008-77460	17	8
171008-77470	17	9
171008-77480	17	10
171008-77490	17	11
171008-77500	17	12
171008-77510	17	13
171008-77520	17	14
171008-77530	17	15
171008-77540	17	16

Parts No.	Fig. No.	Ref. No.
171008-77571	17	19
171008-77640	17	20
171008-77650	17	21
171008-77660	17	22
171008-77670	17	23
171008-77720	17	27
171008-77730	17	28
171008-77740	17	29
171008-77750	17	30
171051-01921	1	6
171064-44510	11	35
171064-44520	11	36
171081-55910	15	33
171301-01600	3	2
171301-01640	3	9
171301-12701	5	2
171301-21650	8	9
171301-92750	19	31
171325-21590	8	13
171353-61710	13	82
174307-51170	12	15
174307-51560	12	51
174307-51700	13	35
194521-41570	9	15
194990-22050	2	30
	6	3
		13
	9	2
198011-41110	9	3
22117-040000	13	60
22117-080000	16	8
22217-060000	12	82
22217-120000	7	16
22252-000320	9	16
22272-000040	13	61
22272-000060	13	62
22287-120000	13	63
22351-030016	13	64
22351-040010	8	8
22351-050010	12	83
22351-060012	4	26
22360-080000	16	9
22372-040000	13	65
22512-070140	7	8
	8	6
23000-060000	5	13
		22
23010-038000	11	47
23065-070225	11	40
23414-100000	10	41

## Parts No. Index

Parts No.	Fig. No.	Ref. No.
23414-100000	19	27
23414-120000	14	56
23418-060000	15	35
23871-010000	1	10
23871-030000	4	14
	11	12
23887-100002	13	66
23887-120002	1	11
24101-060064	7	22
24101-063034	12	84
24311-000120	4	57
	19	22
24311-000160	2	14
	10	33
	19	23
24311-000320	2	15
	4	53
	19	24
24311-240100	13	67
	15	14
		27
24341-000160	12	85
24341-000240	2	26
	3	11
	19	26
24341-000500	4	54
	19	25
24421-153207	9	17
26014-060302	11	21
26014-080252	18	23
26014-080702	15	15
26016-080352	9	18
26022-050102	12	86
	13	68
26022-060162	12	87
26106-060122	2	27
26106-060142	5	14
26106-060202	13	69
26106-060322	17	31
26106-060402	17	32
26106-080122	2	16
	16	10
26106-080142	4	6
	5	15
26106-080162	1	22
	2	17
		18
	3	12
	4	55
26106-080202	10	34

Parts No.	Fig. No.	Ref. No.
26106-080202	11	26
26106-080252	4	43
	5	3
		16
26106-080302	2	31
	3	18
26106-080352	3	19
	5	19
	10	20
	11	15
26106-080452	2	19
	3	13
	7	14
26106-080502	4	44
26106-080552	2	20
	11	16
26106-080602	6	4
26106-080802	6	5
	9	19
26106-080852	2	21
26106-100162	6	14
26116-050102	16	11
26116-050302	12	88
26116-120252	17	33
26206-100252	3	4
26206-100302	3	5
26216-060302	4	15
26216-080202	9	20
26216-080222	6	6
		15
26216-080602	6	7
26216-080702	6	8
26216-080802	6	9
26226-080182	4	38
26366-060002	4	39
26366-080002	2	22
	13	70
	18	25
26450-060252	10	12
26687-120002	13	83
26716-060002	12	89
26716-120002	7	17
26756-060002	13	71
26776-120002	13	72
27231-500000	1	12
27241-120000	1	13
27241-220000	4	16
27241-300000	1	14
27241-400000	4	17
27310-070001	4	22 -1

Parts No.	Fig. No.	Ref. No.
28110-100120	19	35
28110-190220	19	37
28210-000140	19	38 -1
29110-140170	19	36
43400-500390	13	73
43400-500410	2	23
		24
	10	42
43400-500430	13	74
43400-500450	13	75
43400-500490	12	90
719810-01650	3	15
719810-02800	1	15
719810-02930	1	18
719810-11650	4	34
719810-23100	8	25
719811-01560	1	1
719811-11700	4	7
719811-21700	8	1
719811-22900	8	33
719869-51370	12	1
719869-92600	19	1
729100-22500	8	19
729500-53200	14	1
729555-22950	8	35

Parts No.	Fig. No.	Ref. No.
-----------	----------	----------