

OCD10-M43800EN

PREFACE

1. This Parts Catalog is the 1st edition of 3TN63L-UNH2 Diesel Engine for NISHIHATSU.

Pub. No. : 000Y00D4380

Published : February, 1992

2. Model name

Engine model	Vehicle		Vehicle made by
	Products	Model name	
3TN63L-UNH2	—	—	NISHIHATSU

Directions for the Parts Catalog.

1. This Parts Catalog shows both standard and optional parts.
2. Parts may change without prior notice.
3. The following is an example of the Parts Catalog format.

REF.	LEV.	PARTS NO.	DESCRIPTION	Q'TY						I	R
				(A)	(B)	(C)	(D)	(E)	(F)		
1	1	729595-51390	FUEL INJECTION PUMP	1	1	1	1	1			1
1-1	1	729595-51391	FUEL INJECTION PUMP	1	1	1	1	1		N	1
		(A=E00185) (B=E00200)									
3	2	26022-060162	SCREW M 6X 16	9	9	9	9	9			
3-1	2	26022-060162	SCREW M 6X 16	4	4	4	4	4		K	
		(A=E00156) (B=E00156) (C=E00156) (D=E00156) (E=E00156)									
4	2	129470-51040	CAMSHAFT	1	1	1	1	1			
5	2	122710-51050	BEARING, ROLLER	2	2	2	2	2			
6	2	129470-51060	RETAINER	1	1	1	1	1			

Remarks
(1) BOOST COMPEMSATOR TYPE. OPTIONAL PART, TO E00155,(4JH-DT, 4JH-DTZ

① Ref. No.

The Ref. No. listed may not be in accordance with the illustration Ref. No.

(Ex.) Illustration No.

List Ref No.

1

1

(Before change)

1-1

(After change)

For interchangeable symbols N, R and K, illustrations for new parts may be abbreviated.

② Lev. (Level)

Level indication

The numbers below indicate the level of relativity towards the main part.

1 ---- Main parts (Assembly parts)

2 ---- Sub component included in " 1 ".

3 ---- Sub component included in " 2 ".

Note) Parts that are not for sale are partially illustrated but not listed.

③ Interchangeability Symbol

When a part change takes place, one of the following interchangeability symbols is indicated beside the part.

Symbol	Interchangeability	Contents note
N	Old $\begin{matrix} \leftarrow \text{Yes} \\ \text{No} \rightarrow \end{matrix}$ New	New Part is interchangeable for Old Part but Old Part is not interchangeable for New Part.
Q	Old $\begin{matrix} \leftarrow \text{No} \\ \text{Yes} \rightarrow \end{matrix}$ New	New Part is not interchangeable for Old Part but Old Part is interchangeable for New Part.
R	Old $\begin{matrix} \leftarrow \text{Yes} \\ \text{Yes} \rightarrow \end{matrix}$ New	New/ Old Parts are both interchangeable.
S	Old $\begin{matrix} \leftarrow \text{No} \\ \text{No} \rightarrow \end{matrix}$ New	New/ Old Parts are both not interchangeable.
W		Part newly added.
Z		Part discontinued.
F		Not interchangeable by a single part but interchangeable together with related parts.
K		Changes only for used parts quantities.

④ Effective Machine No.

When a part changes, the effective Machine No. will be indicated in the (A)-(F) column.

Product Symbol	Product No.	Product Symbol	Product No.
C	Clutch No. Compressor No.	F	Machine No. (Agricultural Equip.)
D	Drive No.	M	Machine No.
E	Engine No.		

Note 1) A date may follow the symbol. (Ex.) 1996.01

Note 2) "XXXXX" and "ZZZZZ" are for parts that could not be predicted or for engine models that could not be identified.

Note 3) (A=E00185) is the E (Engine Serial Number) for the column (A) model (in this case 4JH-DT) after the parts design change.

⑤ Remarks

Figures or alphabets (symbols) are entered in the remarks column.

The comments (remarks) on parts that are indicated at the bottom of the illustration are the same symbols as those stated above.

Contents

Fig. No. Fig. Name

ENGINE 3TN63L-UNH2

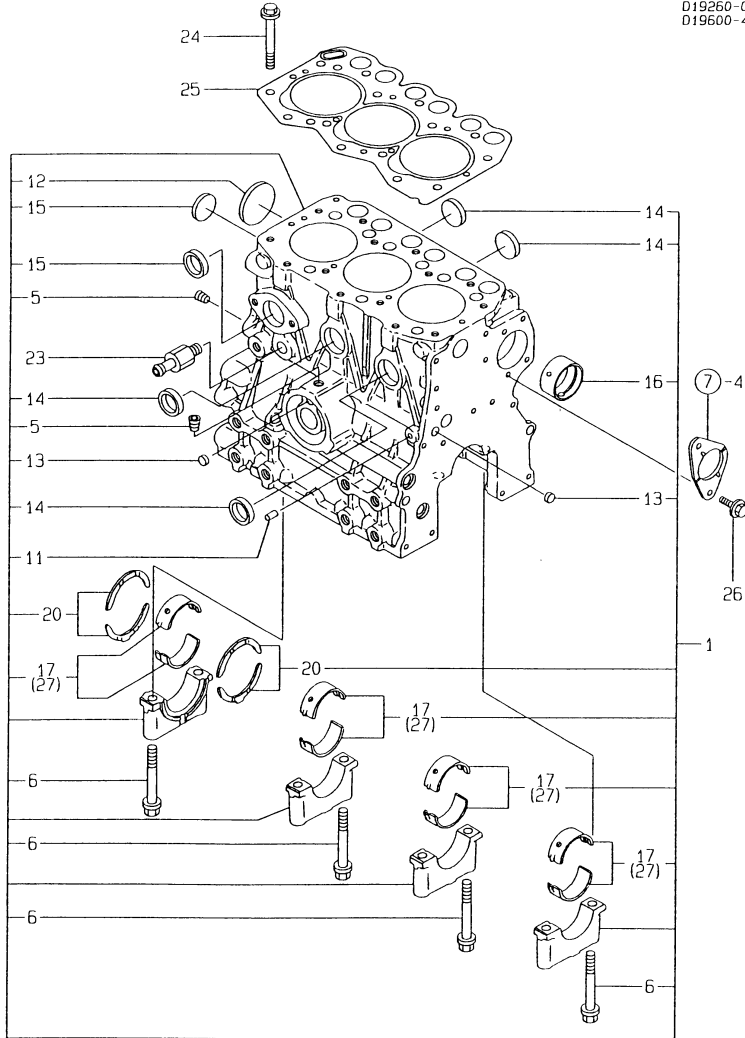
1. CYLINDER BLOCK
2. GEAR HOUSING
3. FLYWHEEL HOUSING & OIL SUMP
4. CYLINDER HEAD & BONNET
5. SUCTION MANIFOLD
6. EXHAUST MANIFOLD
7. CAMSHAFT & DRIVE GEAR
8. CRANKSHAFT & PISTON
9. LUB. OIL SYSTEM
10. COOLING WATER SYSTEM
11. FUEL INJECTION PUMP
12. GOVERNOR
13. FUEL INJECTION VALVE
14. FUEL PIPES
15. ENGINE STOP DEVICE
16. STARTING MOTOR
17. GENERATOR
18. GASKET SET(OPTIONAL)

Fig. No. Fig. Name

Fig.1. CYLINDER BLOCK

Y00D4380
31N63L-UNH2

019260-01100
019260-02100
019260-02210
019600-49300



(A)=3TN63L-UNH2
(B)=
(C)=

(D)=
(E)=
(F)=

No.	Lev.	Parts No.	Description	Q'ty						I	R
				(A)	(B)	(C)	(D)	(E)	(F)		
1	1	719260-01561	BLOCK ASSY, CYLINDER	1							
5	2	124060-01050	PLUG, PT1/8	2							
6	2	119260-02020	BOLT, METAL CAP	8							
11	2	27221-060100	PLUG, 6X10	1							
12	2	27231-400000	PLUG 40	1							
13	2	27241-100000	PLUG, 10	2							
14	2	27241-250000	PLUG, 25	4							
15	2	27241-300000	PLUG 30	2							
16	2	119260-02410	BUSH, CAMSHAFT	1							
17	2	719260-02800	BEARING, MAIN	4							
20	2	719260-02930	BEARING, THRUST	2							
23	1	121550-49111	JOINT, PT1/4	1							
24	1	119260-01200	BOLT, HEAD	14							
25	1	119260-01340	GASKET, HEAD	1							\$
26	1	26106-060122	BOLT, M6X 12 PLATED	2							
27	1	719260-02870	BEARING, 0.25 US	4							1

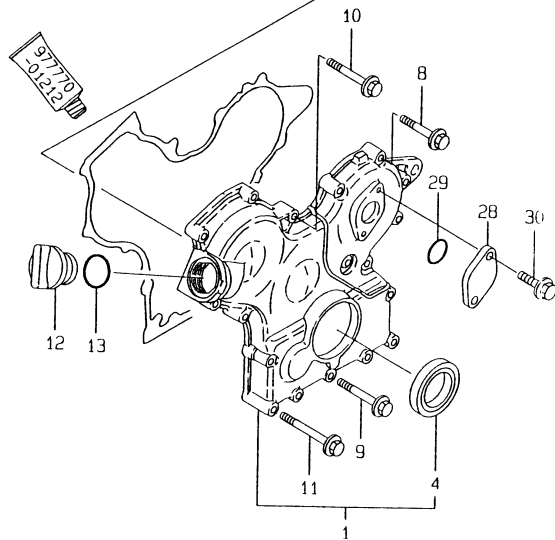
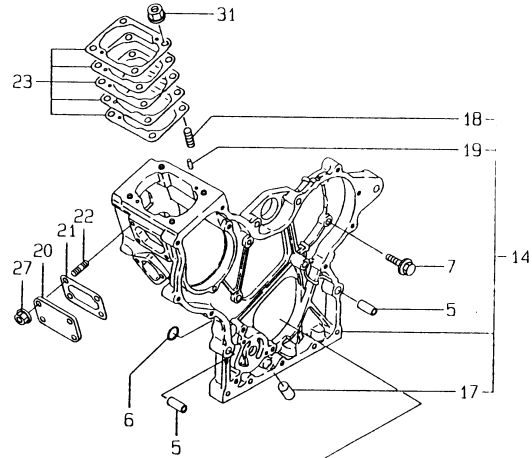
Remarks

(1) UNDER-SIZE(U.S=0.25)PART.
(\$) THESE PARTS ARE SOLD BY FIG.18,
REF.NO.1.

Fig.2. GEAR HOUSING

Y00D43B0
3TN63L-UNH2

019260-01200
019600-01320
019600-01800
719245-51310



(A)=3TN63L-UNH2

(B)=

(C)=

(D)=

(E)=

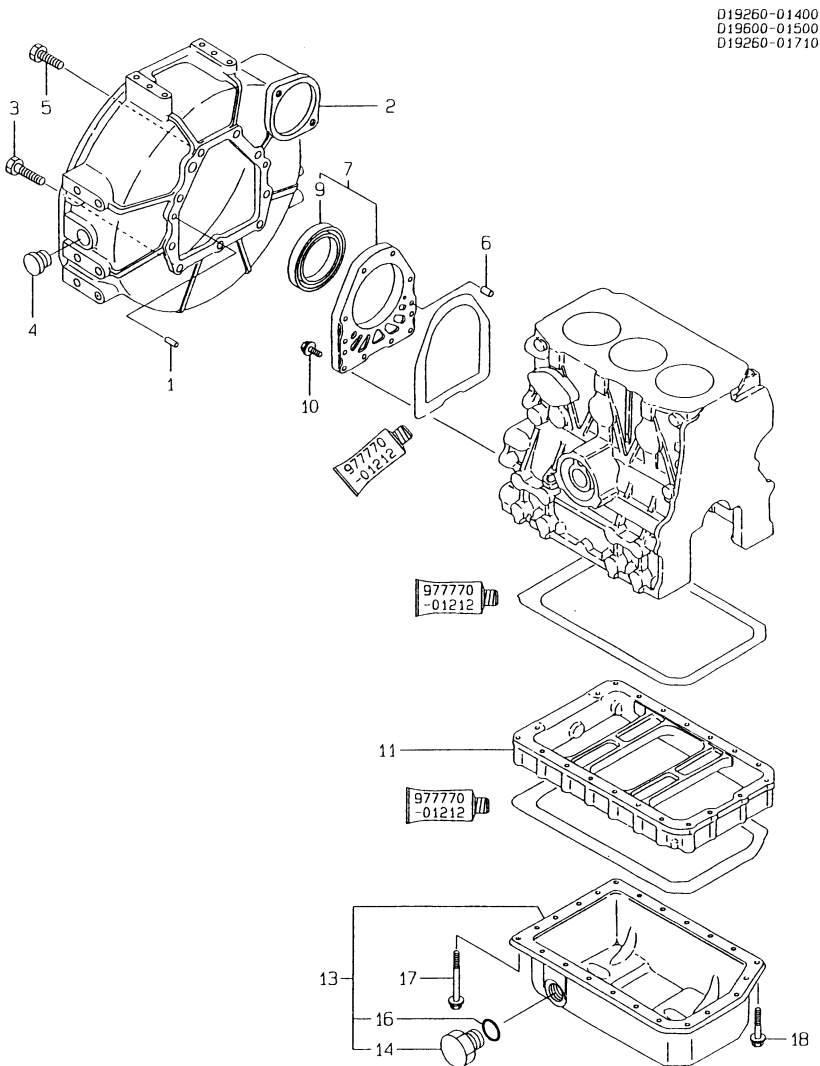
(F)=

No.	Lev.	Parts No.	Description	Q'ty						I	R
				(A)	(B)	(C)	(D)	(E)	(F)		
1	1	119260-01590	COVER ASSY,GEAR CASE	1							
4	2	119620-01800	SEAL, OIL	1							
5	1	119660-01911	PIPE, KNOCK	4							
6	1	24311-000120	O-RING, 1AP12.0	2							\$
7	1	26106-060162	BOLT, M6X 16 PLATED	5							
8	1	26106-060302	BOLT, M6X 30 PLATED	5							
9	1	26106-060402	BOLT, M6X 40 PLATED	3							
10	1	26106-060502	BOLT, M6X 50 PLATED	4							
11	1	26106-060652	BOLT, M6X 65 PLATED	6							
12	1	124160-01751	COVER, FILLER	1							
13	1	24311-000320	O-RING, 1AP32.0	1							\$
14	1	119260-01490	CASE ASSY, GEAR	1							
17	2	119260-01510	PLUG	1							
18	2	121450-01560	STUD, M8X22	4							
19	2	22351-040010	PIN, SPRING 4.0X10	2							
20	1	119660-01551	COVER	1							
21	1	119660-01562	GASKET	1							\$
22	1	119660-01570	STUD, M6X12	4							
23	1	119620-01950	SHIM SET, ADJUSTING	1							
27	1	26366-060002	NUT, M6	4							
28	1	121023-01550	COVER	1							
29	1	24341-000240	O-RING, 1AS24.0	1							\$
30	1	26106-060182	BOLT, M6X 18 PLATED	2							
31	1	194990-22050	NUT, M8	4							

Remarks
(\$) THESE PARTS ARE SOLD BY FIG.18,
REF.NO.1.

Fig.3. FLYWHEEL HOUSING & OIL SUMP

Y00D4380
3TN63L-UNH2



(A)=3TN63L-UNH2

(B)=

(C)=

(D)=

(E)=

(F)=

No.	Lev.	Parts No.	Description	Qty						I	R
				(A)	(B)	(C)	(D)	(E)	(F)		
1	1	129100-01580	PIN, M8X16	2							
2	1	119260-01600	HOUSING, FLYWHEEL	1							
3	1	121120-01620	BOLT, M10X28	3							
4	1	119620-01750	CAP	1							
5	1	26206-100252	BOLT, M10X 25 PLATED	6							
6	1	119620-01620	PIN, M6X10	2							
7	1	119660-01640	CASE ASSY, OIL SEAL	1							
9	2	124085-02220	SEAL, OIL	1							
10	1	26106-060222	BOLT, M6X 22 PLATED	10							
11	1	119454-01721	SPACER, OIL SUMP	1							
13	1	119260-01770	SUMP ASSY, OIL	1							
14	2	121400-01640	PLUG, 16	1							
16	2	24311-000180	O-RING, 1AP18.0	1							\$
17	1	26106-060102	BOLT, M6X 10 PLATED	3							
18	1	26106-060452	BOLT, M6X 45 PLATED	20							

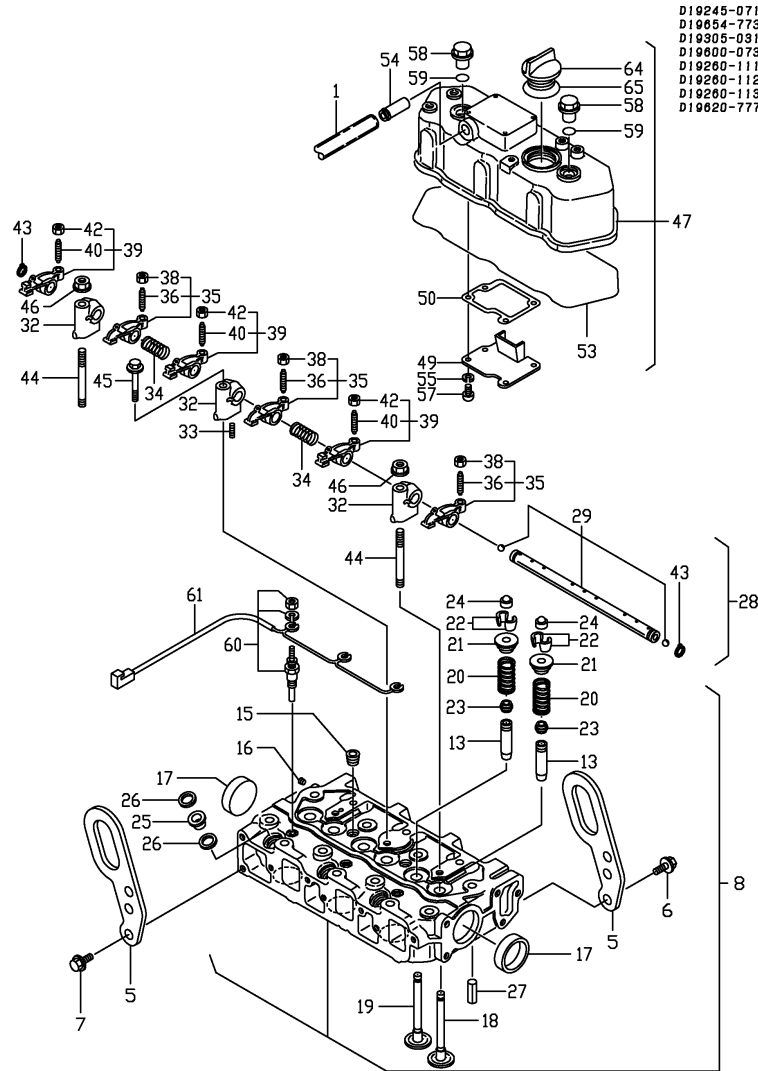
Remarks

(\$) THESE PARTS ARE SOLD BY FIG.18,
REF.NO.1.

Fig.4. CYLINDER HEAD & BONNET

Y00D4380
3TN63L-UNH2

4 シリンダヘッド @ ボンネット
CYLINDER HEAD @ BONNET



(A)=3TN63L-UNH2

(B)=

(C)=

(D)=

(E)=

(F)=

No.	Lev.	Parts No.	Description	Qty						I	R
				(A)	(B)	(C)	(D)	(E)	(F)		
1	1	23065-120500	PIPE, 12X 500	1							
5	1	119260-07900	LIFTER	2							
6	1	26106-080142	BOLT, M8X 14 PLATED								
7	1	26106-080142	BOLT, M8X 14 PLATED	2							
8	1	719260-11700	HEAD ASSY, CYLINDER	1							
13	2	119260-11800	GUIDE, VALVE	6							1
15	2	23871-020000	PLUG, R02	2							
16	2	27221-050080	PLUG, 5X 8	1							
17	2	27241-350000	PLUG, 35	2							
18	2	119260-11100	VALVE, INTAKE	3							
19	2	119260-11110	VALVE, EXHAUST	3							
20	2	114250-11120	SPRING, VALVE	6							
21	2	114250-11180	RETAINER, SPRING	6							
22	2	114250-11190	COTTER	12							
23	2	119260-11340	SEAL, VALVE STEM	6							\$
24	2	119260-11370	CAP, VALVE	6							
25	1	119600-11450	PROTECTOR, NOZZLE	3							\$
26	1	119600-11460	GASKET, NOZZLE	6							\$
27	1	22351-060012	PIN, SPRING 6.0X12	2							
28	1	119260-11200	SUPPORT ASSY, ARM	1							
29	2	119260-11240	SHAFT ASSY, ROCKER	1							
32	2	119260-11260	SUPPORT, ROCKER ARM	3							
33	2	119260-11270	SCREW	1							
34	2	119260-11280	SPRING	2							
35	2	719260-11650	ARM ASSY, ROCKER	3							
36	3	105010-11230	SCREW, VALVE ADJUST	3							
38	3	26756-060002	NUT, LOCK M6	3							
39	2	719260-11660	ARM ASSY, ROCKER	3							
40	3	105010-11230	SCREW, VALVE ADJUST	3							
42	3	26756-060002	NUT, LOCK M6	3							
43	2	22242-000100	RING, 10	2							
44	1	119620-11350	STUD	2							
45	1	26106-080452	BOLT, M8X 45 PLATED	1							
46	1	26366-080002	NUT, M8	2							
47	1	119260-11330	BONNET ASSY, HEAD	1							
49	2	119260-03020	PLATE, SHELTER	1							
50	2	119260-03031	GASKET	1							\$
53	2	119260-11310	GASKET, BONNET	1							\$
54	2	119620-11390	JOINT	1							
55	2	22217-050000	WASHER, SPRING 5	4							
57	2	26557-050102	SCREW, M5X10	4							
58	1	124160-11360	KNOB	2							
59	1	24311-000120	O-RING, 1AP12.0	2							\$
60	1	129795-77800	PLUG, GLOW	3							
61	1	119620-77820	CONNECTOR, GLOW PLUG	1							
64	1	124160-01751	COVER, FILLER	1							
65	1	24311-000320	O-RING, 1AP32.0	1							

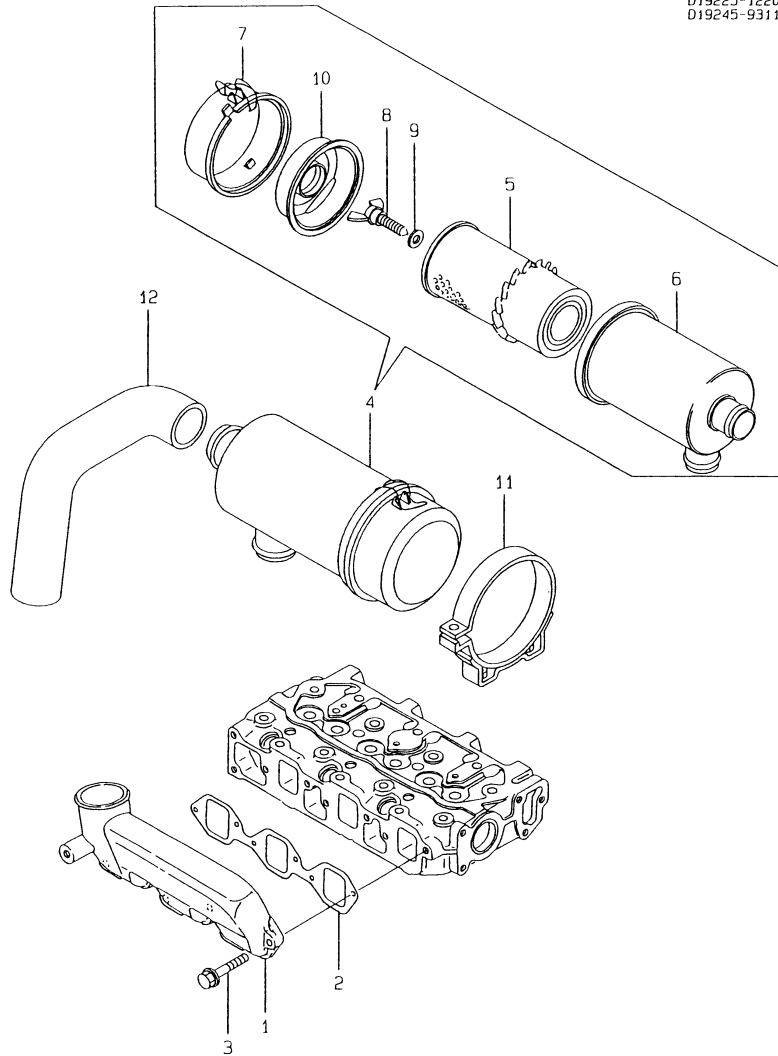
Remarks

(1) REPAIR PART.

(\$) THESE PARTS ARE SOLD BY FIG.18,
REF.NO.1.

Fig.5. SUCTION MANIFOLD

Y00D4380
3TN63L-UNH2



D19225-12200
D19245-93110

(A)=3TN63L-UNH2
(B)=
(C)=

(D)=
(E)=
(F)=

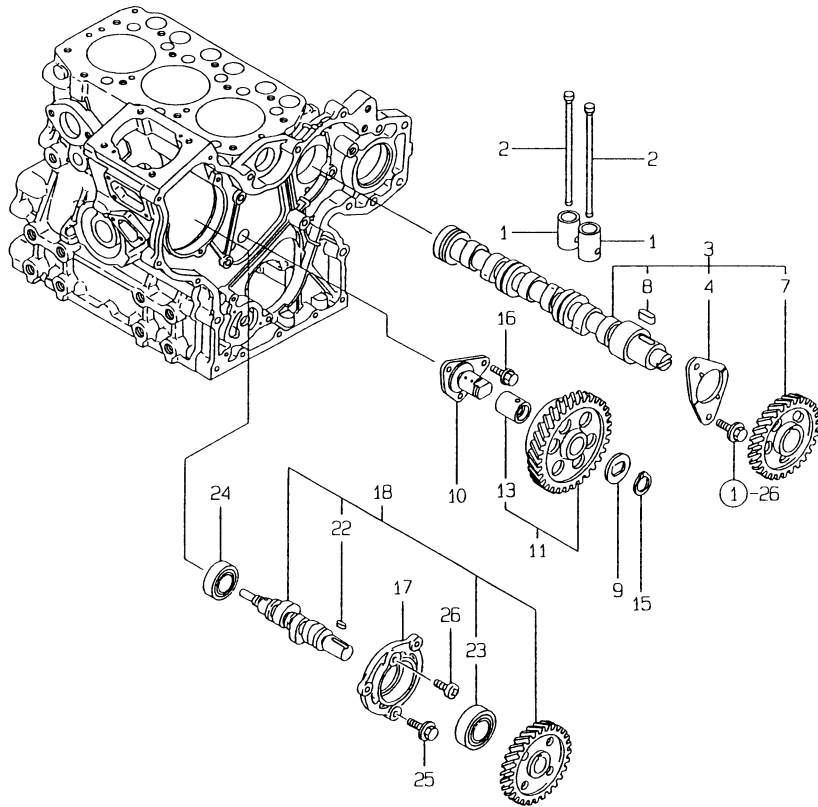
No.	Lev.	Parts No.	Description	Q'ty						I	R
				(A)	(B)	(C)	(D)	(E)	(F)		
1	1	119260-12100	MANIFOLD, AIR INTAKE	1							
2	1	119260-12111	GASKET, MANIFOLD	1							\$
3	1	26106-060202	BOLT, M6X 20 PLATED	4							
4	1	171033-12500	CLEANER ASSY, AIR	1							
5	2	171033-12510	ELEMENT	1							
6	2	171033-12540	CASE ASSY, CLEANER	1							
7	2	171033-12560	PAN ASSY, DUST	1							
8	2	124064-12680	BOLT	1							
9	2	124064-12690	WASHER	1							
10	2	121465-12700	RETAINER, ELEMENT	1							
11	1	171126-12580	BAND, AIR CLEANER	1							
12	1	171043-12990	PIPE, AIR INTAKE	1							

Remarks
(\$) THESE PARTS ARE SOLD BY FIG.18,
REF.NO.1.

Fig.7. CAMSHAFT & DRIVE GEAR

Y00D4380
3TN63L-UNH2

D19260-14110
D19260-25100
719245-51310



(A)=3TN63L-UNH2

(B)=

(C)=

(D)=

(E)=

(F)=

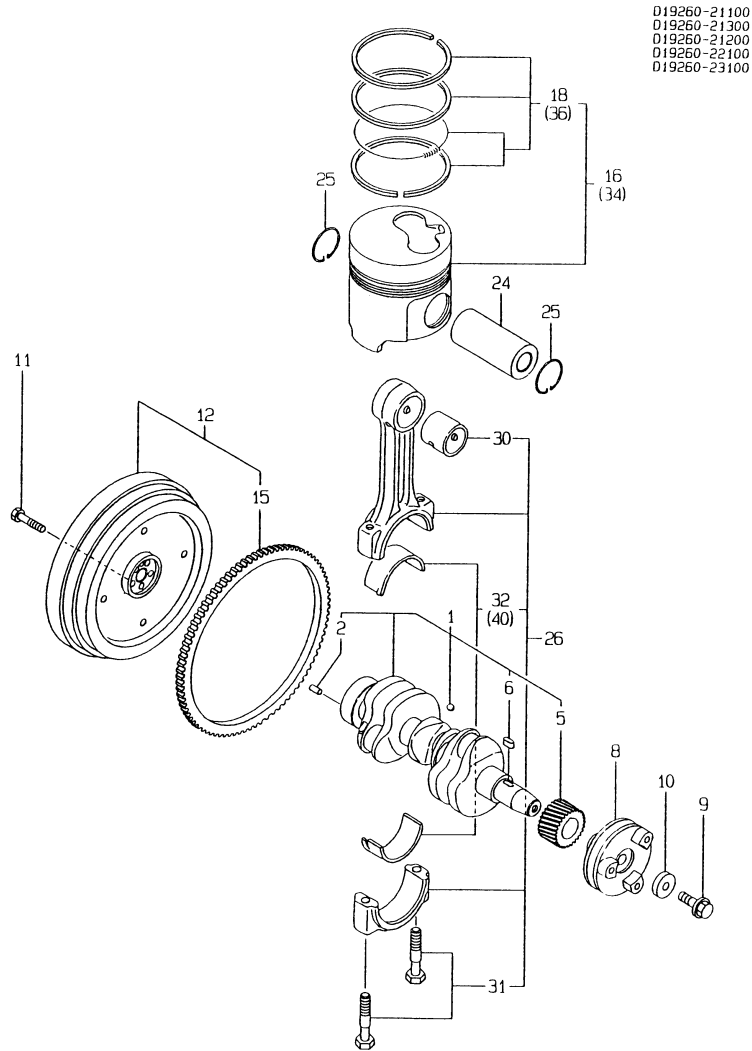
No.	Lev.	Parts No.	Description	Q'ty						I	R
				(A)	(B)	(C)	(D)	(E)	(F)		
1	1	119260-14200	TAPPET	6							
2	1	119260-14400	ROD, PUSH	6							
3	1	119260-14580	CAMSHAFT ASSY	1							
4	2	119620-02450	BEARING, THRUST	1							
7	2	119260-14100	GEAR, CAMSHAFT	1							
8	2	22512-040120	KEY, 4X 12	1							
9	1	119660-25022	RETAINER	1							
10	1	119660-25052	SHAFT, IDLE	1							
11	1	119260-25100	GEAR ASSY, IDLE	1							
13	2	119620-25912	BUSH	1							1
15	1	22242-000200	RING, 20	1							
16	1	26106-060122	BOLT, M6X 12 PLATED	3							
17	1	119660-01821	BEARING, FUEL CAM	1							
18	1	119225-14200	CAM ASSY	1							
22	2	22512-040120	KEY, 4X 12	1							
23	2	24102-063034	BEARING, BALL 6303U	1							
24	1	24101-062034	BEARING, BALL 6203	1							
25	1	26106-060162	BOLT, M6X 16 PLATED	3							
26	1	26587-080102	SCREW, M8X10	1							

Remarks

(1) REPAIR PART.

Fig.8. CRANKSHAFT & PISTON

Y0004380
3TN63L-UNH2



No.	Lev.	Parts No.	Description	Q'ty						I	R
				(A)	(B)	(C)	(D)	(E)	(F)		
1	1	719260-21700	CRANKSHAFT ASSY	1							
2	2	129100-01580	PIN, M8X16	1							
5	2	119260-21200	GEAR, CRANKSHAFT	1							
6	2	22512-040120	KEY, 4X 12	1							
8	1	119260-21650	V-PULLEY	1							
9	1	119621-21680	BOLT, FLANGE 12X1.25	1							
10	1	119620-21941	WASHER	1							
11	1	121111-21501	BOLT, FLYWHEEL	5							
12	1	119260-21590	FLYWHEEL ASSY	1							
15	2	124950-21600	GEAR, RING	1							
16	1	119260-22091	PISTON ASSY	3							
18	2	719260-22501	RING SET, PISTON	3							
24	1	119260-22300	PIN, PISTON	3							
25	1	105225-22400	CIRCLIP	6							
26	1	719260-23100	ROD ASSY, CONNECTING	3							
30	2	119260-23910	BEARING, PISTON PIN	3							1
31	2	119260-23200	BOLT, CONNECTING ROD	6							
32	2	719260-23600	BEARING, CRANK PIN	3							
34	1	719260-22821	PISTON ASSY, 0.25 OS	3							2
36	2	719260-22541	RING SET, 0.25 OS	3							2
40	1	719260-23610	BEARING ASSY, 0.25	3							3

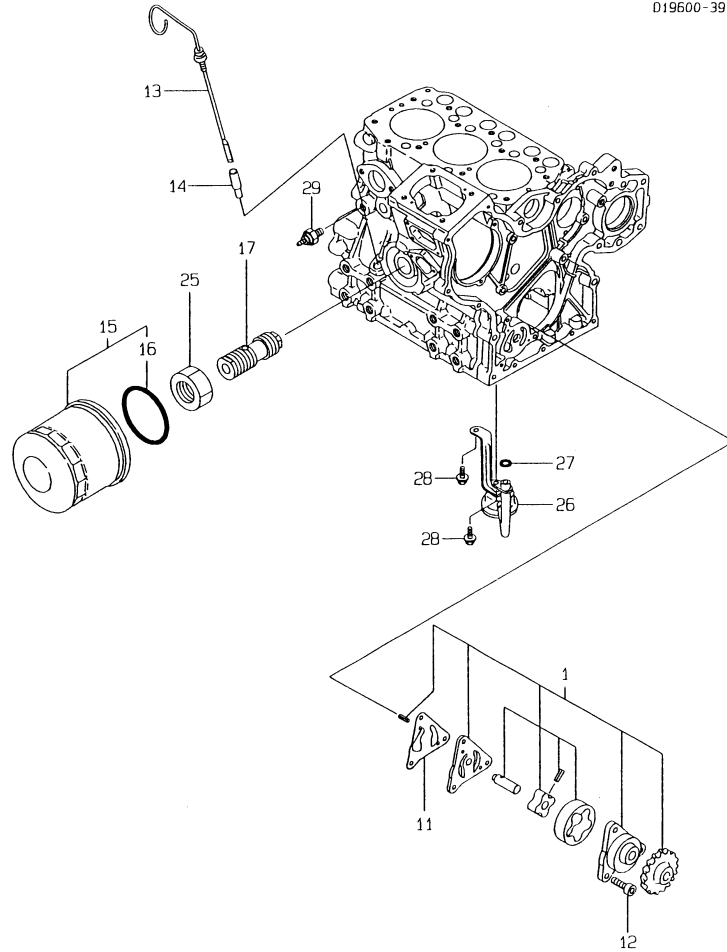
Remarks

- (1) REPAIR PART.
- (2) OVER-SIZE PART.
- (3) UNDER-SIZE PART.

Fig.9. LUB. OIL SYSTEM

Y00D4380
3TN63L-UNH2

D19260-32100
D19645-34100
D19260-35100
D19260-35220
D19600-39100



(A)=3TN63L-UNH2

(B)=

(C)=

(D)=

(E)=

(F)=

No.	Lev.	Parts No.	Description	Q'ty						I	R
				(A)	(B)	(C)	(D)	(E)	(F)		
1	1	119260-32000	PUMP ASSY, OIL	1							
11	1	119660-32020	GASKET, PUMP	1							\$
12	1	26450-060202	BOLT, M6X 20	3							
13	1	119645-34800	DIPSTICK, OIL	1							
14	1	121520-34810	GUIDE, DIPSTICK	1							
15	1	119660-35150	FILTER, LUB. OIL	1							
15-1	1	119305-35151	FILTER ASSY, D68XL65	1						N	1
(A=EXXXXX)											
16	2	124450-35110	O-RING	1							Z
(A=EXXXXX)											
17	1	119225-35300	VALVE ASSY,OIL PRESS	1							
25	1	129150-35350	NUT	1							
26	1	119260-35081	PIPE, OIL INLET	1							
27	1	24311-000120	O-RING, 1AP12.0	1							\$
28	1	26106-060122	BOLT, M6X 12 PLATED	2							
29	1	124160-39450	SWITCH, 0.5KG	1							

Remarks

(\$) These parts are sold by Fig.18,

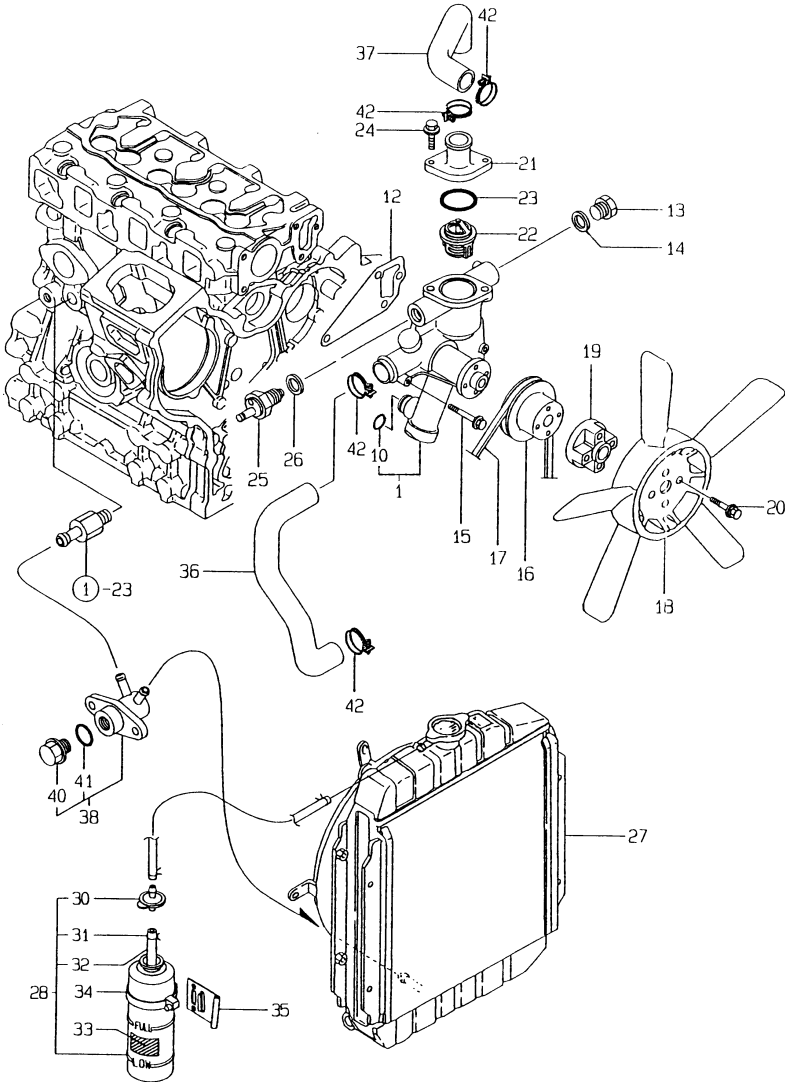
Ref.No.1.

(1)O-ring is integrated type.
(integrated to the LO.filter)

Fig.10. COOLING WATER SYSTEM

Y00D4380
3TN63L-UNH2

発行No. 000Y00D4380-1
更新年月: 2007.02
REVISED: Febru., 2007



(A)=3TN63L-UNH2

(B)=

(C)=

(D)=

(E)=

(F)=

No.	Lev.	Parts No.	Description	Qty						I	R
				(A)	(B)	(C)	(D)	(E)	(F)		
1	1	119260-42001	PUMP ASSY, WATER	1							
10	2	119225-42320	O-RING	1							
12	1	119260-42020	GASKET, WATER PUMP	1							\$
13	1	121450-42450	PLUG, M16	1							
14	1	23414-160021	GASKET, 16X1.0	1							\$
15	1	26106-080452	BOLT, M8X 45 PLATED	3							
16	1	119620-42350	V-PULLEY	1							
17	1	104514-42780	V-BELT, HM33	1							
18	1	121023-44740	FAN, COOLING	1							
19	1	121267-44760	SPACER	1							
20	1	26014-060302	BOLT, M6X 30	4							
21	1	119260-49530	COVER, THERMOSTAT	1							
22	1	119260-49800	THERMOSTAT, 71	1							
23	1	24321-000350	O-RING, 1AG35.0	1							\$
24	1	26106-060182	BOLT, M6X 18 PLATED	2							
25	1	121250-44901	SWITCH, 110	1							
26	1	124465-44950	GASKET, 16	1							\$
27	1	119260-44500	RADIATOR	1							
28	1	124450-44510	TANK ASSY, SUB	1							
30	2	124450-44530	CAP	1							
31	2	124450-44560	RETAINER	1							
32	2	23061-070230	PIPE, 7X 230	1							
33	1	121470-44540	LABEL, SUB-TANK	1							
34	1	124450-44550	BAND	1							
35	1	121256-44600	BRACKET, SUB TANK	1							
36	1	119288-49010	PIPE, WATER	1							
37	1	119280-49020	PIPE, WATER	1							
38	1	121450-49110	COCK ASSY, 3-WAY	1							
40	2	121250-49121	PLUG, DRAIN	1							
41	2	24311-000160	O-RING, 1AP16.0	1							
42	1	23000-060000	CLAMP, 60	4							

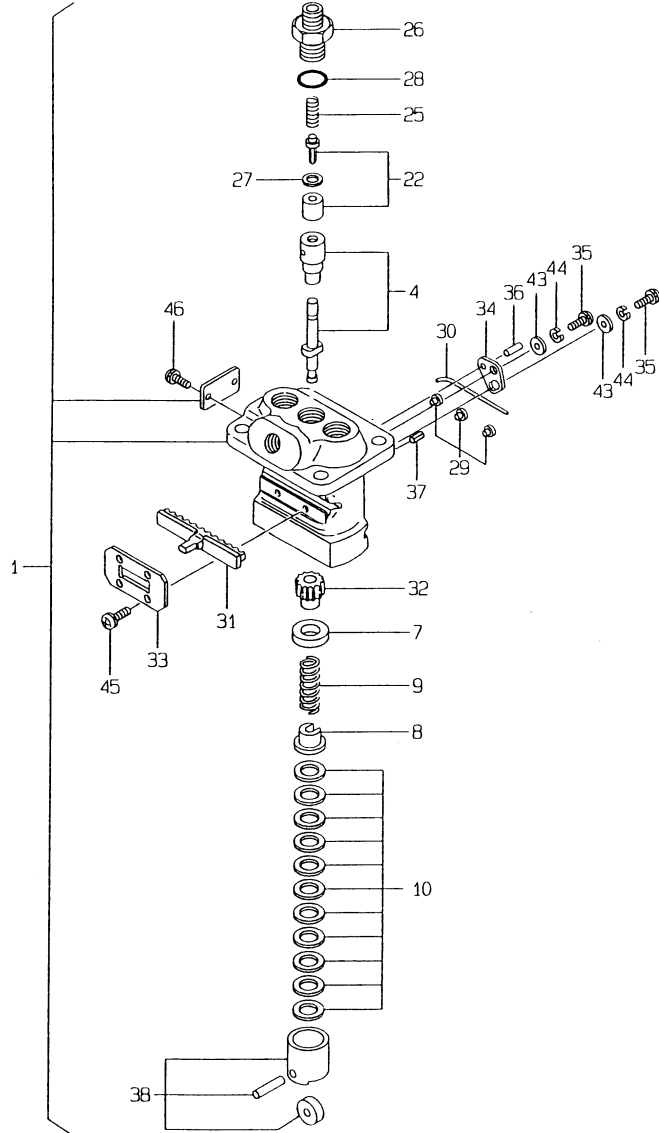
Remarks

(\$) THESE PARTS ARE SOLD BY FIG.18,
REF.NO.1.

Fig.11. FUEL INJECTION PUMP

Y00D4380
31N63L-UNH2

719245-51310



(A)=3TN63L-UNH2

(B)=

(C)=

(D)=

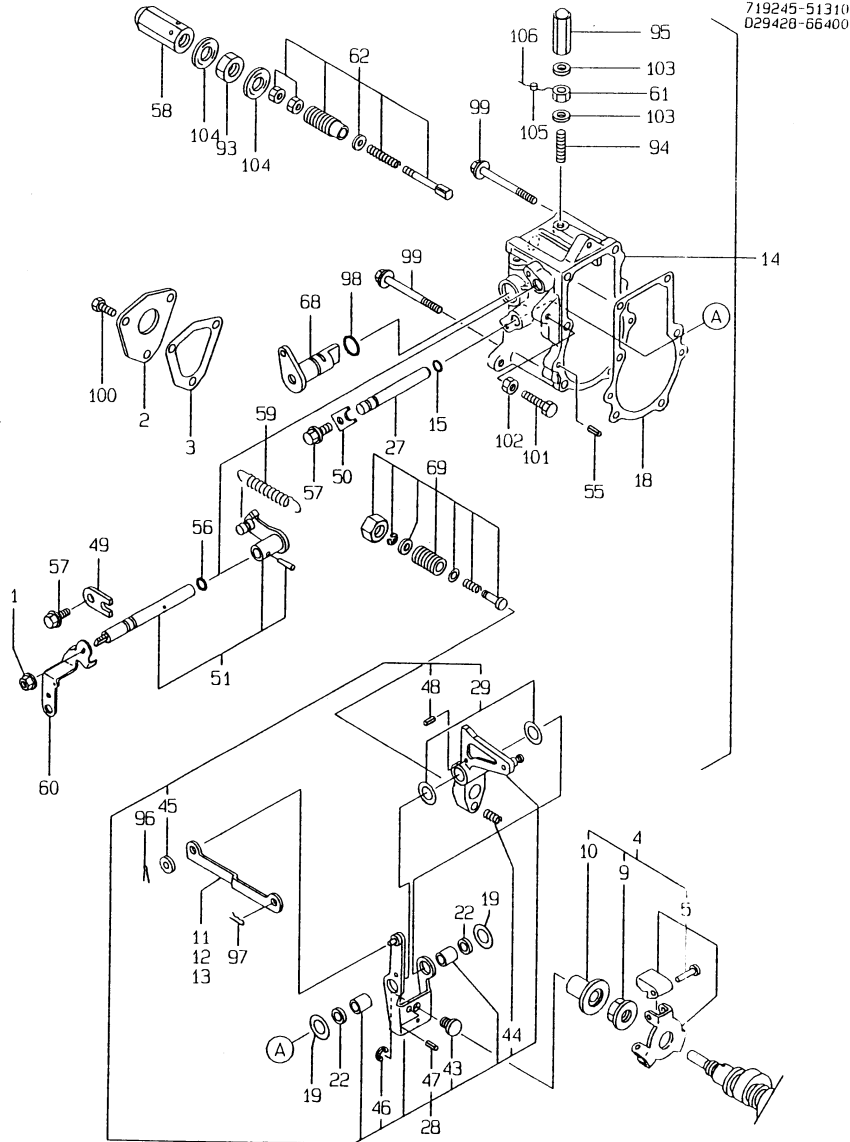
(E)=

(F)=

No.	Lev.	Parts No.	Description	Q'ty						I	R
				(A)	(B)	(C)	(D)	(E)	(F)		
1	1	719225-51100	PUMP ASSY, INJECTION	1							
4	2	119225-51100	PLUNGER ASSY	3							
7	2	119620-51170	RETAINER, SPRING A	3							
8	2	119620-51180	RETAINER, SPRING B	3							
9	2	119620-51190	SPRING, PLUNGER	3							
10	2	119620-51250	SHIM SET	3							
22	2	119225-51300	VALVE ASSY, DELIVERY	3							
25	2	105546-51330	SPRING, DELIVERY	3							
26	2	119620-51340	HOLDER, DELIVERY	3							
27	2	119620-51350	GASKET	3							
28	2	119620-51370	O-RING	3							
29	2	119620-51450	PIECE	3							
30	2	119620-51461	PIN	1							
31	2	119660-51500	RACK, CONTROL	1							
32	2	119620-51510	PINION	3							
33	2	119660-51530	RETAINER, RACK	1							
34	2	119620-51650	PLATE	2							
35	2	119620-51660	SCREW	2							
36	2	119620-51670	PIN	2							
37	2	119620-51680	PIN	1							
38	2	119620-51700	TAPPET ASSY	3							
43	2	22137-040000	WASHER, 4	2							
44	2	22217-040000	WASHER, SPRING 4	2							
45	2	26022-040082	SCREW, M4X 8	4							
46	2	26587-040102	SCREW, M4X10	2							

Fig.12. GOVERNOR

Y00D43B0
3TN63L-UNH2



(A)=3TN63L-UNH2

(B)=

(C)=

(D)=

(E)=

(F)=

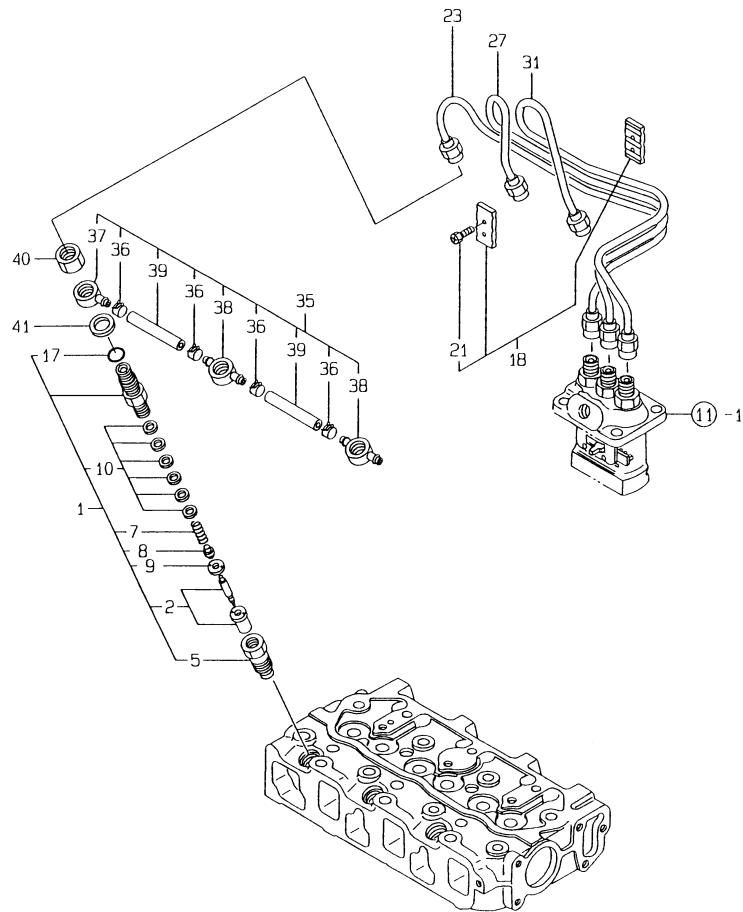
No.	Lev.	Parts No.	Description	Q'ty						I	R
				(A)	(B)	(C)	(D)	(E)	(F)		
1	1	194990-22050	NUT, M8	1							
2	1	119660-61060	COVER, GOVERNOR CASE	1							
3	1	119660-61071	GASKET	1							
4	1	119600-61100	DRIVE ASSY	1							
5	2	119600-61200	WEIGHT ASSY,GOVERNOR	1							
9	2	119660-61300	NUT	1							
10	2	119660-61341	SLEEVE	1							
11	1	119660-61121	LINK, NO MARK	1							
12	1	119660-61140	LINK, MARK :2	1							
13	1	119660-61150	LINK, MARK :3	1							
14	1	119270-61200	CASE ASSY, GOVERNOR	1							
15	2	129155-51280	O-RING, S6	1							
18	2	119660-61052	GASKET	1							
19	2	119660-61460	SHIM SET	1							
22	2	129155-61480	SPACER ASSY	2							
27	2	119660-61491	SHAFT	1							
28	2	119600-61500	LEVER ASSY, GOVERNOR	1							
29	3	174307-51700	SHIM SET	2							
43	3	119600-61540	SHIFTER	1							
44	3	119600-61650	SPRING, STARTING	1							
45	3	22117-040000	WASHER, 4	2							
46	3	22272-000040	RING, E- 4	1							
47	3	22351-020004	PIN, SPRING 2.0X 4	1							
48	3	22351-030014	PIN, SPRING 3.0X14	1							
49	2	119600-61900	RETAINER, SHAFT	1							
50	2	119660-61901	RETAINER, SHAFT	1							
51	2	119621-66091	SHAFT ASSY	1							
55	2	22351-040010	PIN, SPRING 4.0X10	2							
56	2	24341-000070	O-RING, 1AS7.0	1							
57	2	26106-060102	BOLT, M6X 10 PLATED	2							
58	1	129100-61930	NUT, CAP	1							
59	1	119245-66010	SPRING, REGULATOR	1							
60	1	119621-66051	LEVER, REGULATOR	1							
61	1	124550-66370	NUT, M6	1							
62	1	119260-66540	LIMITER ASSY, FUEL	1							
68	1	119643-66560	LEVER, STOP	1							
69	1	119260-66720	ANGLEICH ASSY	1							
93	1	124772-66750	NUT, LOCK M12	1							
94	1	121575-66830	SCREW	1							
95	1	119600-66840	NUT, CAP	1							
96	1	22360-040000	PIN, SNAP 4	1							
97	1	22360-060000	PIN, SNAP 6	1							
98	1	24311-240100	O-RING, 1AP10A	1							
99	1	26106-060702	BOLT, M6X 70 PLATED	1							
100	1	26116-050102	BOLT, M5X 10 PLATED	3							
101	1	26116-060304	BOLT, M6X 30 PLATED	1							
102	1	26756-060002	NUT, LOCK M6	1							
103	1	43400-500400	SEAL WASHER 6	2							
104	1	43400-500450	SEAL WASHER 12S	2							
105	1	135210-61090	LEAD	1							
106	1	22451-060000	WIRE, 0.6	1							

N:Old $\xrightarrow{\text{Yes}}$ New, Q:Old $\xrightarrow{\text{No}}$ New, R:Old $\xrightarrow{\text{Yes}}$ New, S:Old $\xrightarrow{\text{No}}$ New, W:Add, Z:Discontinued, F:Interchangeable by set, K:Q'ty Change

Fig.13. FUEL INJECTION VALVE

Y00D4380
3TN63L-UNH2

019620-53100
019225-59100
019260-59300



(A)=3TN63L-UNH2

(B)=

(C)=

(D)=

(E)=

(F)=

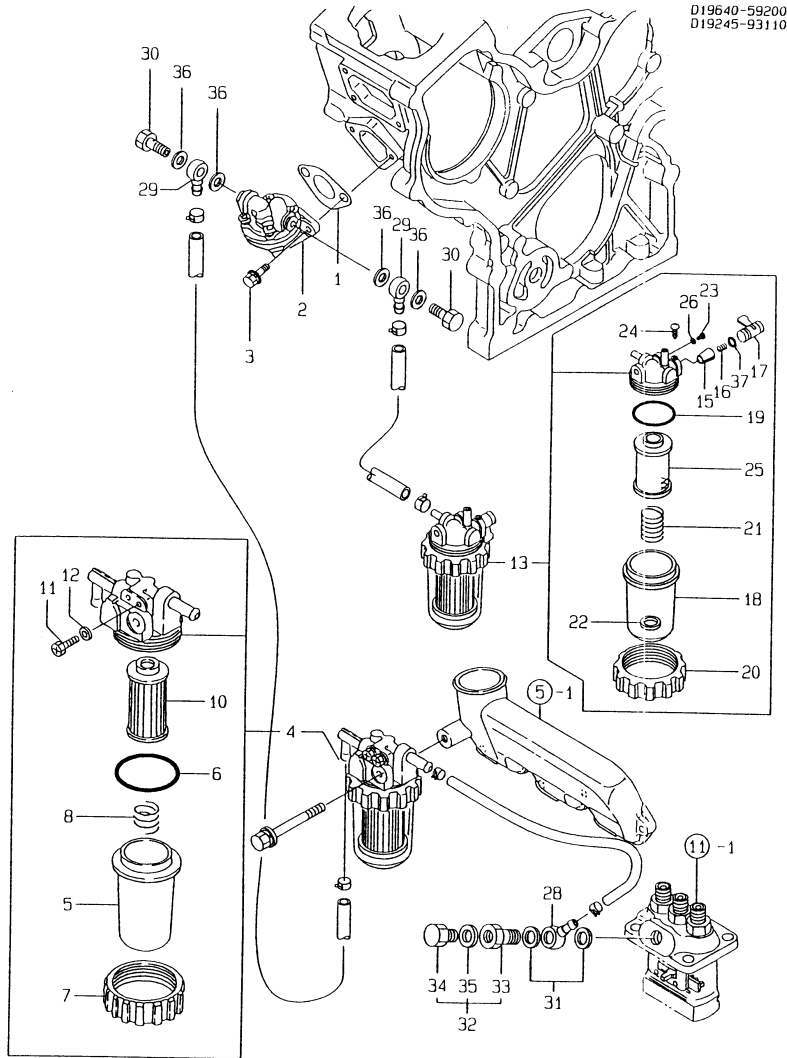
No.	Lev.	Parts No.	Description	Q'ty						I	R
				(A)	(B)	(C)	(D)	(E)	(F)		
1	1	719620-53100	VALVE ASSY,INJECTION	3							
2	2	119620-53000	VALVE ASSY,INJECTION	3							
5	2	119620-53080	NUT, NOZZLE	3							
7	2	119620-53120	SPRING, NOZZLE	3							
8	2	114250-53130	SEAT, SPRING	3							
9	2	119620-53140	SPACER, VALVE STOP	3							
10	2	114250-53400	SHIM SET	3							
17	2	129155-61830	O-RING, S10	3							\$
18	1	129150-59120	RETAINER, PIPE	1							
21	2	129150-59130	BOLT, M4X12	2							
23	1	119225-59810	PIPE ASSY, INJECTION	1							
27	1	119260-59820	PIPE ASSY, INJECTION	1							
31	1	119260-59830	PIPE ASSY, INJECTION	1							
35	1	119260-59540	PIPE ASSY, RETURN	1							
36	2	124066-59100	CLIP, HOSE 8	4							
37	2	119260-59520	JOINT	1							
38	2	119260-59530	JOINT	2							
39	2	119260-59550	PIPE, FUEL	2							
40	1	119620-59700	NUT, NOZZLE	3							
41	1	23414-140000	GASKET, 14X1.0	3							\$

Remarks

(\$) THESE PARTS ARE SOLD BY FIG.18,
REF.NO.1.

Fig.14. FUEL PIPES

Y00D4380
3TN63L-UNH2



(A)=3TN63L-UNH2

(B)=

(C)=

(D)=

(E)=

(F)=

No.	Lev.	Parts No.	Description	Q'ty						I	R
				(A)	(B)	(C)	(D)	(E)	(F)		
1	1	121520-01851	GASKET	1							\$
2	1	119600-52021	PUMP ASSY, FUEL FEED	1							
3	1	26014-060202	BOLT, M6X 20	2							
4	1	119225-55600	FILTER ASSY, FUEL	1							
5	2	121254-55510	COVER	1							
6	2	102103-55520	O-RING	1							
7	2	110250-55610	RING, RETAINING	1							
8	2	121250-55620	SPRING	1							
10	2	124550-55700	FILTER, FUEL L=90	1							
11	2	101720-55750	PLUG, 6	2							
12	2	23418-060000	GASKET, 6X1.0	2							
13	1	121257-55700	SEPARATOR, WATER	1							
15	2	104200-55321	VALVE, TAPER	1							
16	2	104200-55330	SPRING, VALVE	1							
17	2	104200-55341	HANDLE	1							
18	2	121254-55510	COVER	1							
19	2	102103-55520	O-RING	1							
20	2	110250-55610	RING, RETAINING	1							
21	2	121257-55720	SPRING	1							
22	2	121257-55731	FLOAT	1							
23	2	101720-55750	PLUG, 6	2							
24	2	104200-55750	SCREW, M4	1							
25	2	171081-55910	SCREEN	1							
26	2	23418-060000	GASKET, 6X1.0	2							
27	2	24311-240100	O-RING, 1AP10A	1							
28	1	101304-59020	JOINT, PIPE 12	1							
29	1	104264-59030	JOINT, PIPE 8	2							
30	1	105582-59150	BOLT, PIPE JOINT	2							
31	1	104200-59170	GASKET, 12	2							\$
32	1	103854-59191	BOLT ASSY, JOINT M12	1							
33	2	103854-59201	BOLT, PIPE JOINT M12	1							
34	2	124060-59380	PLUG, 6	1							
35	2	43400-500390	SEAL WASHER 6S	1							
36	1	23414-080012	GASKET, 8X1.0	4							\$

Remarks

(\$) THESE PARTS ARE SOLD BY FIG.18,
REF.NO.1.

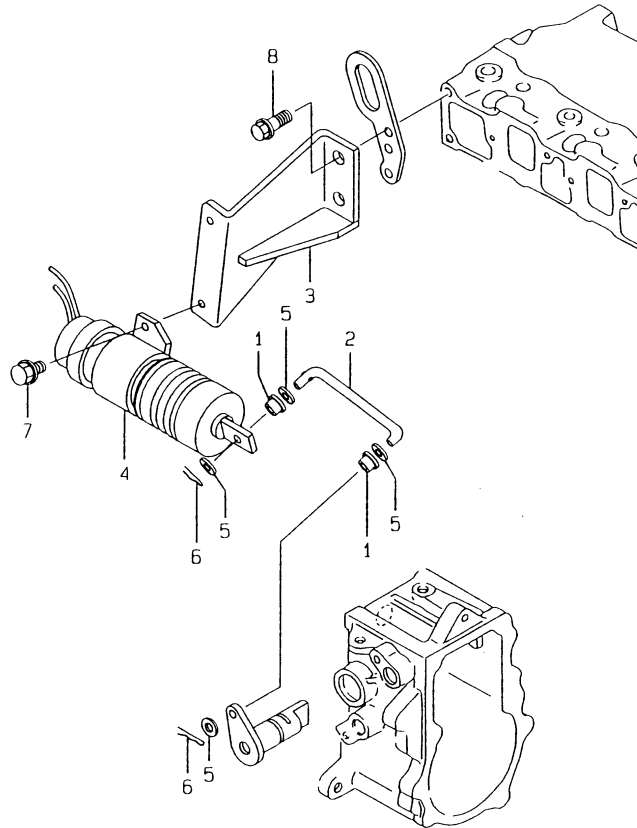
Fig.15. ENGINE STOP DEVICE

(A)=3TN63L-UNH2
(B)=
(C)=

(D)=
(E)=
(F)=

Y0004380
3TN63L-UNH2

019241-66800

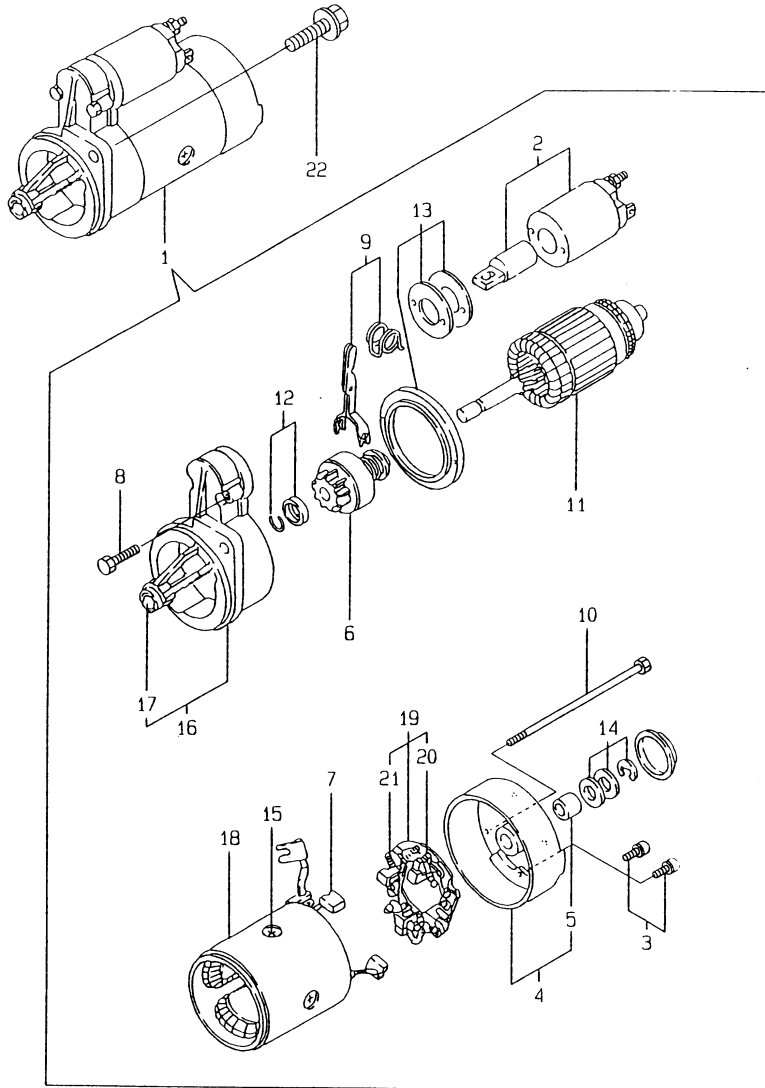


No.	Lev.	Parts No.	Description	Q'ty						I	R
				(A)	(B)	(C)	(D)	(E)	(F)		
1	1	119245-66400	BUSH	2							
2	1	119643-66532	LINK, SOLENOID	1							
3	1	119241-66541	BRACKET, SOLENOID	1							
4	1	129155-66800	SOLENOID	1							
5	1	22137-040000	WASHER, 4	4							
6	1	22360-040000	PIN, SNAP 4	2							
7	1	26106-060102	BOLT, M6X 10 PLATED	2							
8	1	26106-080182	BOLT, M8X 18 PLATED	2							

Fig.16. STARTING MOTOR

Y00D4380
3TN63L-UNH2

D19260-77110



(A)=3TN63L-UNH2

(B)=

(C)=

(D)=

(E)=

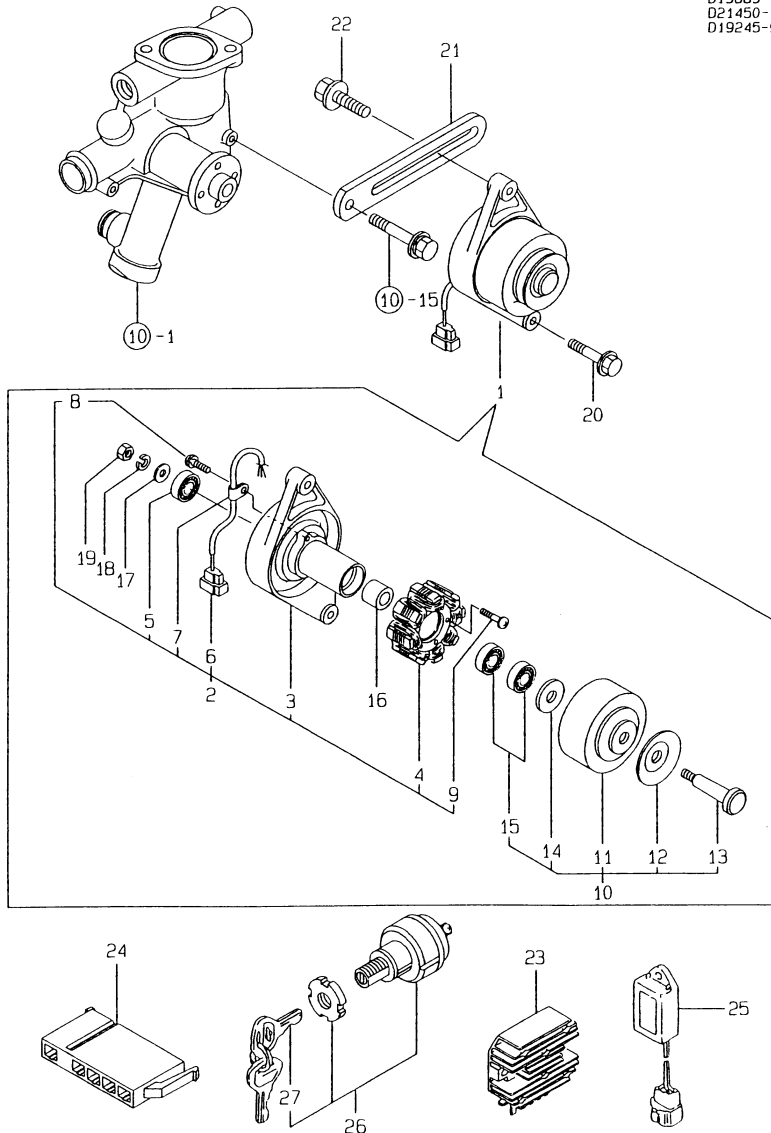
(F)=

No.	Lev.	Parts No.	Description	Q'ty						I	R
				(A)	(B)	(C)	(D)	(E)	(F)		
1	1	119225-77011	STARTER	1							
2	2	X2114275070	SWITCH, MAGNETIC	1							
3	2	X2114283500	SCREW SET	1							
4	2	X2114430010	COVER ASSY, REAR	1							
5	3	X2114535200	METAL, STARTER	1							
6	2	X2114455040	PINION ASSY	1							
7	2	X2114531200	BRUSH (+)	2							
8	2	X2114586700	BOLT M6X 37	2							
9	2	X2114660130	LEVER KIT, SHIFT	1							
10	2	X2114680050	BOLT, THROUGH	2							
11	2	X2114710080	AMATURE ASSY.	1							
12	2	X2114715500	STOPPER SET, PINION	1							
13	2	X2114780060	COVER ASSY, DUST	1							
14	2	X2114811000	WASHER KIT, THRUST	1							
15	2	X2114821500	SCREW SET	4							
16	2	X2114866060	HOUSING, GEAR	1							
17	3	X2114535200	METAL, STARTER	1							
18	2	X2114921040	COIL ASSY, FIELD	1							
19	2	X2114990010	HOLDER ASSY, BRUSH	1							
20	3	X2114831300	BRUSH (-)	1							
21	3	X2114931400	SPRING, BRUSH	3							
22	1	26106-100252	BOLT, M10X 25 PLATED	2							

Fig.17. GENERATOR

Y00D4380
3TN63L-UNH2

D19689-77220
D21450-77300
D19245-93110



(A)=3TN63L-UNH2

(B)=

(C)=

(D)=

(E)=

(F)=

No.	Lev.	Parts No.	Description	Q'ty						I	R
				(A)	(B)	(C)	(D)	(E)	(F)		
1	1	171301-77201	DYNAMO ASSY, 15A	1							
2	2	XM08137	PLATE ASSY	1							
3	3	XM08138	PLATE	1							
4	3	XM08180	STATOR ASSY	1							
5	3	XM27436	BALL BEARING	1							
6	3	XM17878	COUPLER	1							
7	3	XM36410	CLAMP	1							
8	3	26022-040252	SCREW, M4X25	2							
9	3	XYSPS4008	SCREW	1							
10	2	XM82184	FLYWHEEL ASSY	1							
11	3	XM82110	FLYWHEEL	1							
12	3	XM72174	PULLEY	1							
13	3	XM72664	SHAFT	1							
14	3	XM37336	WASHER	1							
15	3	XM27436	BALL BEARING	2							
16	2	106383-44720	SPACER	1							
17	2	106383-44730	WASHER	1							
18	2	22212-100000	SPRING WASHER 10	1							
19	2	26716-100002	NUT, M10	1							
20	1	26106-100402	BOLT, M10X 40 PLATED	1							
21	1	121450-77330	ADJUSTER	1							
22	1	26014-080252	BOLT, M8X 25	1							
23	1	119660-77710	LIMITER, CURRENT 15A	1							
23-1	1	119660-77711	LIMITER, CURRENT 15A	1							N
(A=*1999.07.)											
24	1	171301-77720	COUPLER	1							
25	1	128300-77920	TIMER	1							
26	1	121400-91251	SWITCH, STARTER	1							
27	2	121400-91271	KEY, SWITCH	2							

Fig.18. GASKET SET(OPTIONAL)

(A)=3TN63L-UNH2

(B)=

(C)=

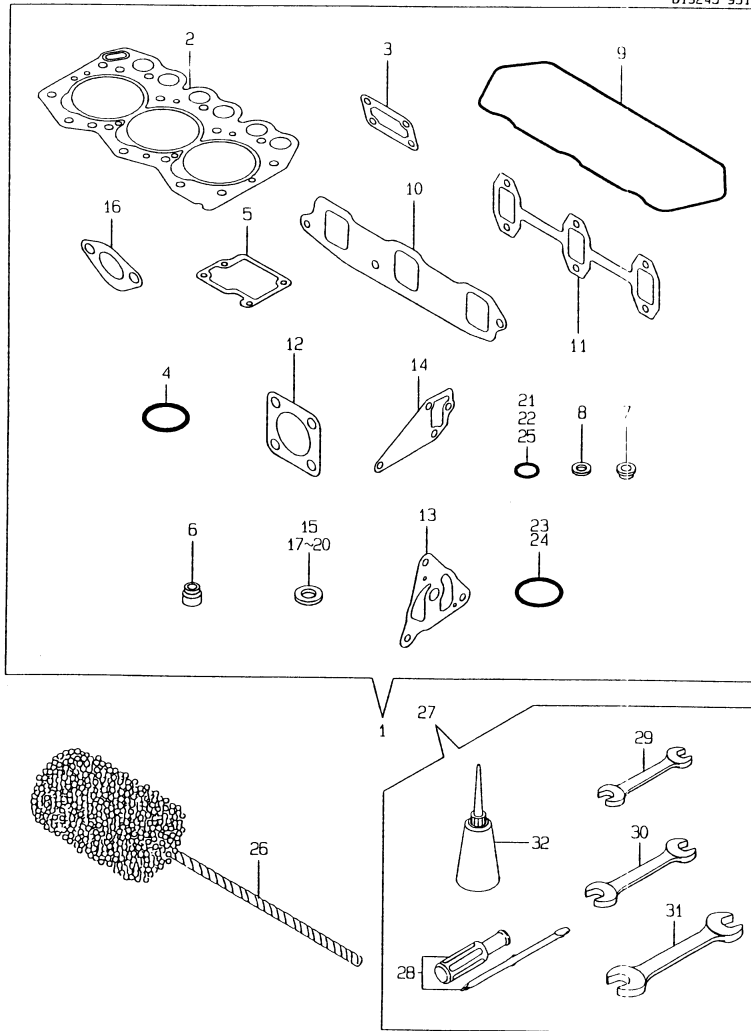
(D)=

(E)=

(F)=

Y0004380
3TN63L-UNH2

D19245-93110



No.	Lev.	Parts No.	Description	Q'ty						I	R
				(A)	(B)	(C)	(D)	(E)	(F)		
1	1	719245-92601	GASKET SET	1							1
2	2	119260-01340	GASKET, HEAD	1							
3	2	119660-01562	GASKET	1							
4	2	24311-000320	O-RING, 1AP32.0	2							
5	2	119260-03031	GASKET	1							
6	2	119260-11340	SEAL, VALVE STEM	6							
7	2	119600-11450	PROTECTOR, NOZZLE	3							
8	2	119600-11460	GASKET, NOZZLE	6							
9	2	119260-11310	GASKET, BONNET	1							
10	2	119260-12111	GASKET, MANIFOLD	1							
11	2	119260-13110	GASKET	1							
12	2	121000-13200	GASKET, SILENCER	1							
13	2	119660-32020	GASKET, PUMP	1							
14	2	119260-42020	GASKET, WATER PUMP	1							
15	2	124465-44950	GASKET, 16	1							
16	2	121520-01851	GASKET	1							
17	2	104200-59170	GASKET, 12	2							
18	2	23414-080012	GASKET, 8X1.0	4							
19	2	23414-140000	GASKET, 14X1.0	3							
20	2	23414-160021	GASKET, 16X1.0	1							
21	2	24311-000120	O-RING, 1AP12.0	5							
22	2	24311-000180	O-RING, 1AP18.0	1							
23	2	24321-000350	O-RING, 1AG35.0	1							
24	2	24341-000240	O-RING, 1AS24.0	1							
25	2	129155-61830	O-RING, S10	3							
26	1	129400-92410	FLEX HORN	1							1
27	1	171001-93110	BOX, TOOL	1							
28	2	104200-92350	DRIVER, SCREW	1							
29	2	28110-100120	SPANNER, 10X12	1							
30	2	28110-140170	SPANNER, 14X17	1							
31	2	28110-190220	SPANNER, 19X22	1							
32	2	28210-000140	OILER	1							

Remarks

(1) OPTIONAL PART.

Parts No. Index

Parts No.	Fig. No.	Ref. No.
101304-59020	14	28
101720-55750	14	11
		23
102103-55520	14	6
		19
103854-59191	14	32
103854-59201	14	33
104200-55321	14	15
104200-55330	14	16
104200-55341	14	17
104200-55750	14	24
104200-59170	14	31
	18	17
104200-92350	18	28
104264-59030	14	29
104514-42780	10	17
105010-11230	4	36
		40
105225-22400	8	25
105546-51330	11	25
105582-59150	14	30
106383-44720	17	16
106383-44730	17	17
110250-55610	14	7
		20
114250-11120	4	20
114250-11180	4	21
114250-11190	4	22
114250-53130	13	8
114250-53400	13	10
119225-14200	7	18
119225-35300	9	17
119225-42320	10	10
119225-51100	11	4
119225-51300	11	22
119225-55600	14	4
119225-59810	13	23
119225-77011	16	1
119241-66541	15	3
119245-66010	12	59
119245-66400	15	1
119260-01200	1	24
119260-01340	1	25
	18	2
119260-01490	2	14
119260-01510	2	17
119260-01590	2	1
119260-01600	3	2
119260-01770	3	13
119260-02020	1	6

Parts No.	Fig. No.	Ref. No.
119260-02410	1	16
119260-03020	4	49
119260-03031	4	50
	18	5
119260-07900	4	5
119260-11100	4	18
119260-11110	4	19
119260-11200	4	28
119260-11240	4	29
119260-11260	4	32
119260-11270	4	33
119260-11280	4	34
119260-11310	4	53
	18	9
119260-11330	4	47
119260-11340	4	23
	18	6
119260-11370	4	24
119260-11800	4	13
119260-12100	5	1
119260-12111	5	2
	18	10
119260-13100	6	1
119260-13110	6	2
	18	11
119260-14100	7	7
119260-14200	7	1
119260-14400	7	2
119260-14580	7	3
119260-21200	8	5
119260-21590	8	12
119260-21650	8	8
119260-22091	8	16
119260-22300	8	24
119260-23200	8	31
119260-23910	8	30
119260-25100	7	11
119260-32000	9	1
119260-35081	9	26
119260-42001	10	1
119260-42020	10	12
	18	14
119260-44500	10	27
119260-49530	10	21
119260-49800	10	22
119260-59520	13	37
119260-59530	13	38
119260-59540	13	35
119260-59550	13	39
119260-59820	13	27

Parts No.	Fig. No.	Ref. No.
119260-59830	13	31
119260-66540	12	62
119260-66720	12	69
119270-61200	12	14
119280-49020	10	37
119288-49010	10	36
119305-35151	9	15 -1
119454-01721	3	11
119600-11450	4	25
	18	7
119600-11460	4	26
	18	8
119600-52021	14	2
119600-61100	12	4
119600-61200	12	5
119600-61500	12	28
119600-61540	12	43
119600-61650	12	44
119600-61900	12	49
119600-66840	12	95
119620-01620	3	6
119620-01750	3	4
119620-01800	2	4
119620-01950	2	23
119620-02450	7	4
119620-11350	4	44
119620-11390	4	54
119620-21941	8	10
119620-25912	7	13
119620-42350	10	16
119620-51170	11	7
119620-51180	11	8
119620-51190	11	9
119620-51250	11	10
119620-51340	11	26
119620-51350	11	27
119620-51370	11	28
119620-51450	11	29
119620-51461	11	30
119620-51510	11	32
119620-51650	11	34
119620-51660	11	35
119620-51670	11	36
119620-51680	11	37
119620-51700	11	38
119620-53000	13	2
119620-53080	13	5
119620-53120	13	7
119620-53140	13	9
119620-59700	13	40

Parts No.	Fig. No.	Ref. No.
119620-77820	4	61
119621-21680	8	9
119621-66051	12	60
119621-66091	12	51
119643-66532	15	2
119643-66560	12	68
119645-34800	9	13
119660-01551	2	20
119660-01562	2	21
	18	3
119660-01570	2	22
119660-01640	3	7
119660-01821	7	17
119660-01911	2	5
119660-25022	7	9
119660-25052	7	10
119660-32020	9	11
	18	13
119660-35150	9	15
119660-51500	11	31
119660-51530	11	33
119660-61052	12	18
119660-61060	12	2
119660-61071	12	3
119660-61121	12	11
119660-61140	12	12
119660-61150	12	13
119660-61300	12	9
119660-61341	12	10
119660-61460	12	19
119660-61491	12	27
119660-61901	12	50
119660-77710	17	23
119660-77711	17	23 -1
121000-13200	6	8
	18	12
121023-01550	2	28
121023-44740	10	18
121111-21501	8	11
121120-01620	3	3
121250-44901	10	25
121250-49121	10	40
121250-55620	14	8
121254-55510	14	5
		18
121256-44600	10	35
121257-55700	14	13
121257-55720	14	21
121257-55731	14	22
121267-44760	10	19

Parts No. Index

Parts No.	Fig. No.	Ref. No.
121400-01640	3	14
121400-91251	17	26
121400-91271	17	27
121450-01560	2	18
121450-42450	10	13
121450-49110	10	38
121450-77330	17	21
121465-12700	5	10
121470-44540	10	33
121520-01851	14	1
	18	16
121520-34810	9	14
121550-49111	1	23
121575-66830	12	94
124060-01050	1	5
124060-59380	14	34
124064-12680	5	8
124064-12690	5	9
124066-59100	13	36
124085-02220	3	9
124160-01751	2	12
	4	64
124160-11360	4	58
124160-39450	9	29
124450-35110	9	16
124450-44510	10	28
124450-44530	10	30
124450-44550	10	34
124450-44560	10	31
124465-44950	10	26
	18	15
124550-55700	14	10
124550-66370	12	61
124772-66750	12	93
124950-21600	8	15
128300-77920	17	25
129100-01580	3	1
	8	2
129100-61930	12	58
129150-35350	9	25
129150-59120	13	18
129150-59130	13	21
129155-51280	12	15
129155-61480	12	22
129155-61830	13	17
	18	25
129155-66800	15	4
129400-92410	18	26
129795-77800	4	60
135210-61090	12	105

Parts No.	Fig. No.	Ref. No.
171001-93110	18	27
171033-12500	5	4
171033-12510	5	5
171033-12540	5	6
171033-12560	5	7
171043-12990	5	12
171081-55910	14	25
171126-12580	5	11
171301-77201	17	1
171301-77720	17	24
174307-51700	12	29
194990-22050	2	31
	6	3
	12	1
22117-040000	12	45
22137-040000	11	43
	15	5
22212-100000	17	18
22217-040000	11	44
22217-050000	4	55
22242-000100	4	43
22242-000200	7	15
22272-000040	12	46
22351-020004	12	47
22351-030014	12	48
22351-040010	2	19
	12	55
22351-060012	4	27
22360-040000	12	96
	15	6
22360-060000	12	97
22451-060000	12	106
22512-040120	7	8
		22
	8	6
23000-060000	10	42
23061-070230	10	32
23065-120500	4	1
23414-080012	14	36
	18	18
23414-140000	13	41
	18	19
23414-160021	10	14
	18	20
23418-060000	14	12
		26
23871-020000	4	15
24101-062034	7	24
24102-063034	7	23
24311-000120	2	6

Parts No.	Fig. No.	Ref. No.
24311-000120	4	59
	9	27
	18	21
24311-000160	10	41
24311-000180	3	16
	18	22
24311-000320	2	13
	4	65
	18	4
24311-240100	12	98
	14	27
24321-000350	10	23
	18	23
24341-000070	12	56
24341-000240	2	29
	18	24
26014-060202	14	3
26014-060302	10	20
26014-080252	17	22
26022-040082	11	45
26022-040252	17	8
26106-060102	3	17
	12	57
	15	7
26106-060122	1	26
	7	16
	9	28
26106-060162	2	7
	7	25
26106-060182	2	30
	10	24
26106-060202	5	3
26106-060222	3	10
26106-060302	2	8
26106-060352	6	4
26106-060402	2	9
26106-060452	3	18
26106-060502	2	10
26106-060652	2	11
26106-060702	12	99
26106-080142	4	6
		7
26106-080182	15	8
26106-080452	4	45
	10	15
26106-100252	16	22
26106-100402	17	20
26116-050102	12	100
26116-060304	12	101
26206-100252	3	5

Parts No.	Fig. No.	Ref. No.
26216-060402	6	5
26216-080222	6	6
26366-060002	2	27
	6	7
26366-080002	4	46
26450-060202	9	12
26557-050102	4	57
26587-040102	11	46
26587-080102	7	26
26716-100002	17	19
26756-060002	4	38
		42
	12	102
27221-050080	4	16
27221-060100	1	11
27231-400000	1	12
27241-100000	1	13
27241-250000	1	14
27241-300000	1	15
27241-350000	4	17
28110-100120	18	29
28110-140170	18	30
28110-190220	18	31
28210-000140	18	32
43400-500390	14	35
43400-500400	12	103
43400-500450	12	104
719225-51100	11	1
719245-92601	18	1
719260-01561	1	1
719260-02800	1	17
719260-02870	1	27
719260-02930	1	20
719260-11650	4	35
719260-11660	4	39
719260-11700	4	8
719260-21700	8	1
719260-22501	8	18
719260-22541	8	36
719260-22821	8	34
719260-23100	8	26
719260-23600	8	32
719260-23610	8	40
719620-53100	13	1
X2114275070	16	2
X2114283500	16	3
X2114430010	16	4
X2114455040	16	6
X2114531200	16	7
X2114535200	16	5

Parts No. Index

Parts No.	Fig. No.	Ref. No.
X2114535200	16	17
X2114586700	16	8
X2114660130	16	9
X2114680050	16	10
X2114710080	16	11
X2114715500	16	12
X2114780060	16	13
X2114811000	16	14
X2114821500	16	15
X2114831300	16	20
X2114866060	16	16
X2114921040	16	18
X2114931400	16	21
X2114990010	16	19
XM08137	17	2
XM08138	17	3
XM08180	17	4
XM17878	17	6
XM27436	17	5
		15
XM36410	17	7
XM37336	17	14
XM72174	17	12
XM72664	17	13
XM82110	17	11
XM82184	17	10
XYSPS4008	17	9

Parts No.	Fig. No.	Ref. No.
-----------	----------	----------

Parts No.	Fig. No.	Ref. No.
-----------	----------	----------

Parts No.	Fig. No.	Ref. No.
-----------	----------	----------